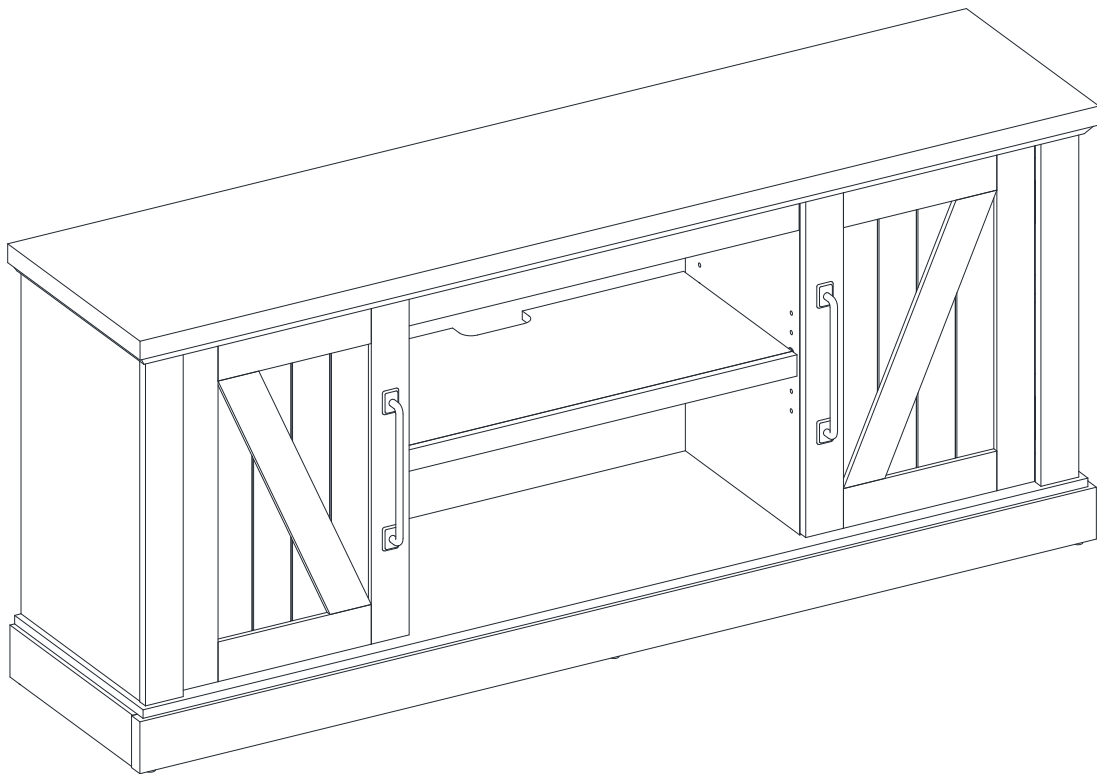




LOT NUMBER: _____
DATE PURCHASED: ___/___/___

Media TV Console

Model # BJAVCL65-3



ADULT ASSEMBLY REQUIRED

If you have any questions regarding assembly or if parts are missing, DO NOT return this item to the store where it was purchased. Please call our toll-free customer service number and have your instructions and parts list ready to provide the model name, part name or factory number:

1-866-942-5362

Pacific Standard Time: 8:30 a.m. - 4:30 p.m., Monday to Friday

Or visit our website 24 hours a day, 7 days a week for product assistance at

www.whalenfurniture.com

Or e-mail your request to **parts@whalenfurniture.com**

**THIS INSTRUCTION BOOKLET CONTAINS IMPORTANT SAFETY INFORMATION.
PLEASE READ AND KEEP FOR FUTURE REFERENCE.**

Date 2021-06-15

Rev. 0001-A

GENERAL INFORMATION, TIPS AND TRICKS

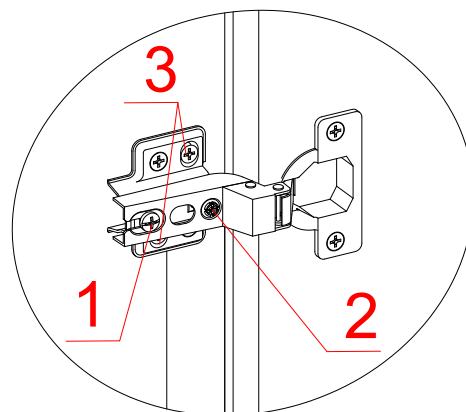
1. Please read the Assembly Instructions prior to assembling this product.
2. Remove all hardware from the box and sort by size.
3. Check to see that all hardware and parts are present BEFORE assembling.
4. Ask a friend to assist you with the assembly of this furniture.
5. To avoid damage, assemble the product on a sturdy, level and protective surface.
6. Please wait until all steps are completed before fully tightening bolts.
7. Make sure all screws and bolts are tightly fastened before the unit is used.

This product is sold with two sets of Tipping Restraint Hardware Kit. You must install the Tipping Restraint Hardware between the wall and the console to prevent any accidents or damages. When properly installed, this restraint can provide protection against the unexpected tipping of the unit due to small tremors, bumps or climbing. The restraint is only a deterrent and is not a substitute for proper adult supervision. Use of tip-over restraints may only reduce, but not eliminate, the risk of tip-over.

How to adjust the European adjustable hinges on doors

Shipping may cause doors to go out of alignment. If you find that the doors need to be adjusted slightly, turn the appropriate screw as illustrated.

1. TO ADJUST DOOR FORWARD OR BACKWARD.
2. TO ADJUST DOOR TO RIGHT OR TO LEFT.
3. TO ADJUST DOOR UP OR DOWN.



SPECIAL NOTE

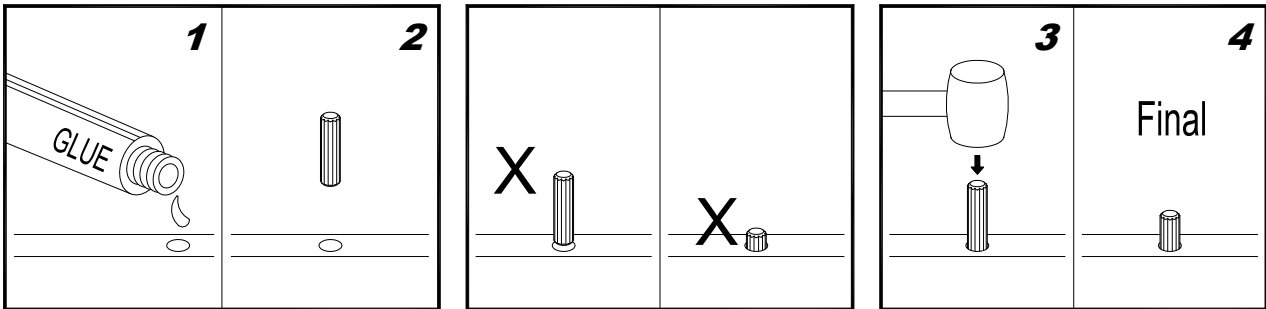
Please read the instruction sheets completely before assembly. Examine all packaging material before discarding carton. Remove any remaining staples from the carton before discarding. Remove all parts from carton and separate into groups as indicated on part list. Please ensure all parts are included prior to assembly. Use of power tools to complete assembly is not recommended.

IMPORTANT

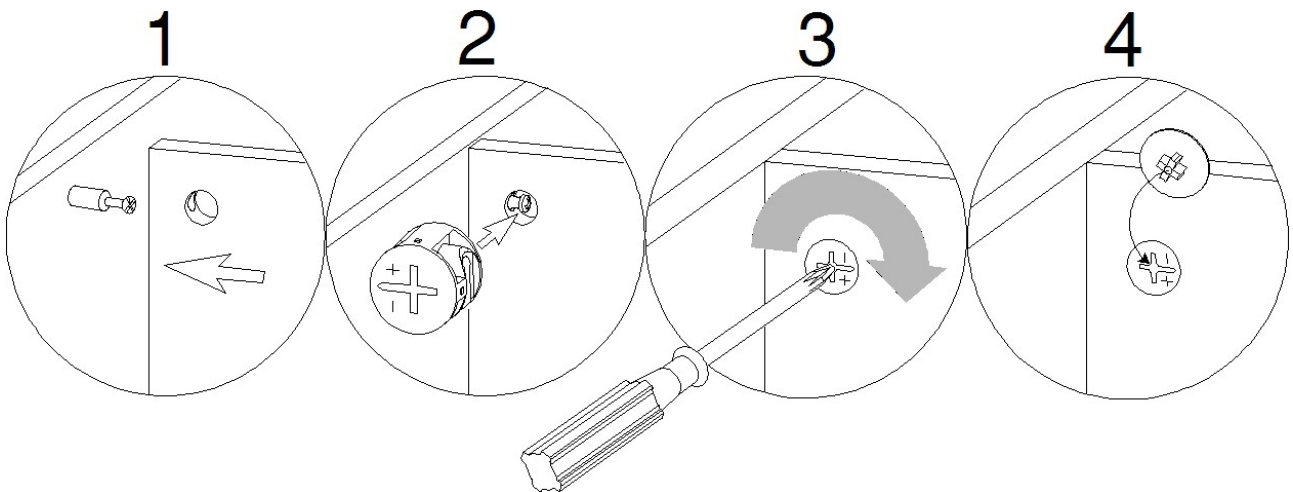
Before you begin: Open, identify and count all parts prior to assembly. Lay out parts on a flat and non-abrasive surface. You will need the parts identified on page 4 and 5 of this instruction manuals.

NOTE: IT IS VERY IMPORTANT TO USE GLUE WITH THE DOWELS. EXCESS GLUE CAN BE WIPED OFF WITH A DAMP CLOTH.

Insert Dowel at least halfway by tapping lightly with a rubber mallet (not included), IF NECESSARY.



CAM LOCK SYSTEM OPERATION



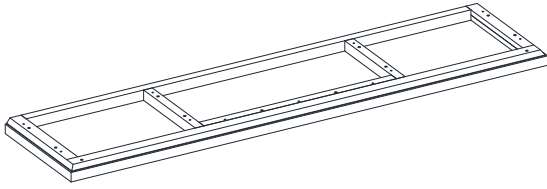
HOW THE KNOCK DOWN (KD) ASSEMBLY SYSTEM WORKS

1. Screw the Cam Bolt into the pre-drilled small holes on the panel. Connect both panels together; making sure the Cam Bolt goes into the pre-drilled hole at the end of the panel with the Cam Lock.
2. Insert the Cam Lock into the pre-drilled large hole in the panel. Make sure the arrow on the Cam Lock is pointed towards the Cam Bolt.
3. Once the Cam Bolt is connected inside the Cam Lock, take a Phillips screwdriver (not included) and tighten the Cam Lock clockwise.
4. Plug the Cam Lock Cover into the cross slot of the Cam Locks to conceal the cam.

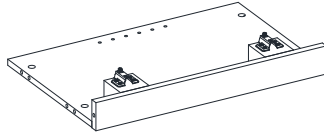
You are now ready to assemble the KD unit.

Parts and Hardware List

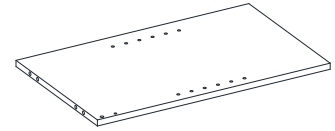
Please read completely through the instructions and verify that all listed parts and hardware are present before beginning assembly.



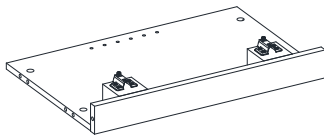
A- Top Panel (Qty. 1)



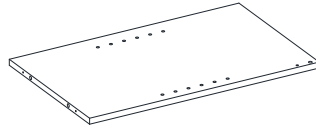
B-Left Side Panel (Qty. 1)



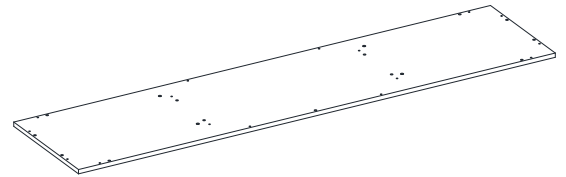
C- Left Partition Panel (Qty. 1)



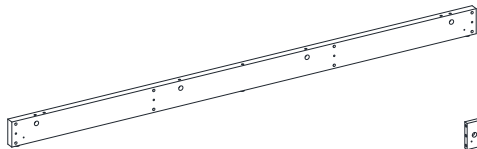
D- Right Side Panel (Qty. 1)



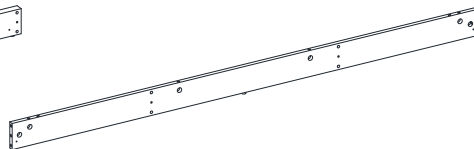
E- Right Partition Panel (Qty. 1)



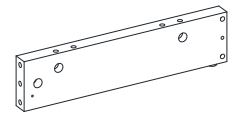
F- Bottom Panel (Qty. 1)



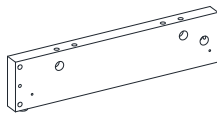
G- Front Skirting (Qty. 1)



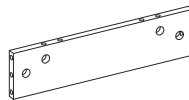
H- Back Skirting (Qty. 1)



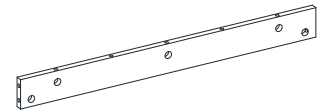
I- Left Skirting (Qty. 1)



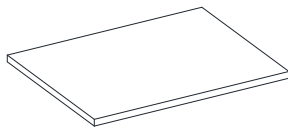
J- Right Skirting (Qty. 1)



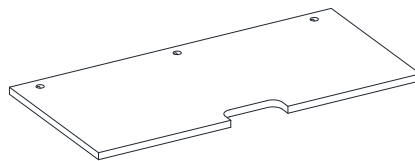
K-Base Middle Support (Qty. 2)



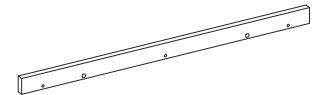
L- Top Front Stretcher (Qty. 1)



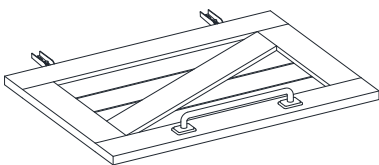
M- Side Adjustable Shelf (Qty. 2)



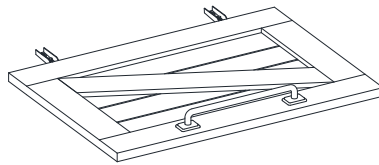
N- Center Adjustable Shelf (Qty. 1)



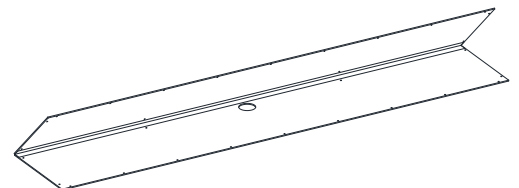
O- Center Shelf Molding (Qty. 1)



P- Left Door (Qty. 1)



Q-Right Door (Qty. 1)



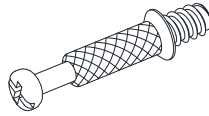
R- Back Panel (Qty. 1)

Parts and Hardware List

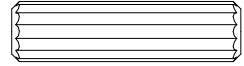
Please read completely through the instructions and verify that all listed parts and hardware are present before beginning assembly



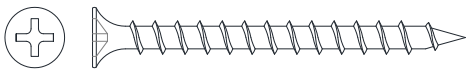
(1) Cam Lock
(Qty. 44+2 extra)



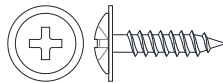
(2) Cam Bolt
(Qty. 44+2 extra)



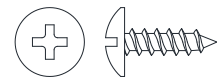
(3) M8 x 30 mm Wood Dowel
(Qty. 55+2 extra)



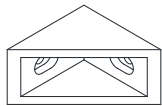
(4) M4 x 50 mm Screw
(Qty. 4+1 extra)



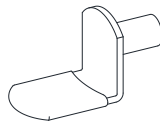
(5) M3.5 x 15 mm Washer Head Screw
(Qty. 30+1 extra)



(6) M3.5 x 12 mm Pan Head Screw
(Qty. 8+1 extra)



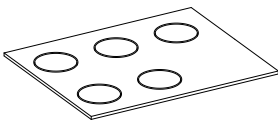
(7) Corner Connector
(Qty. 4)



(8) Shelf Support
(Qty. 12+1 extra)



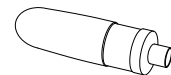
(9) Cam Lock Cover
(Qty. 12+1 extra)



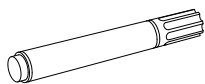
(10) Rubber Bumper
(Qty. 4+1 extra)



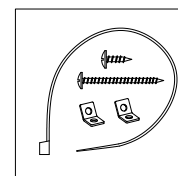
(11) Acrylic Stopper
(Qty. 1)



Glue
(Qty. 2)



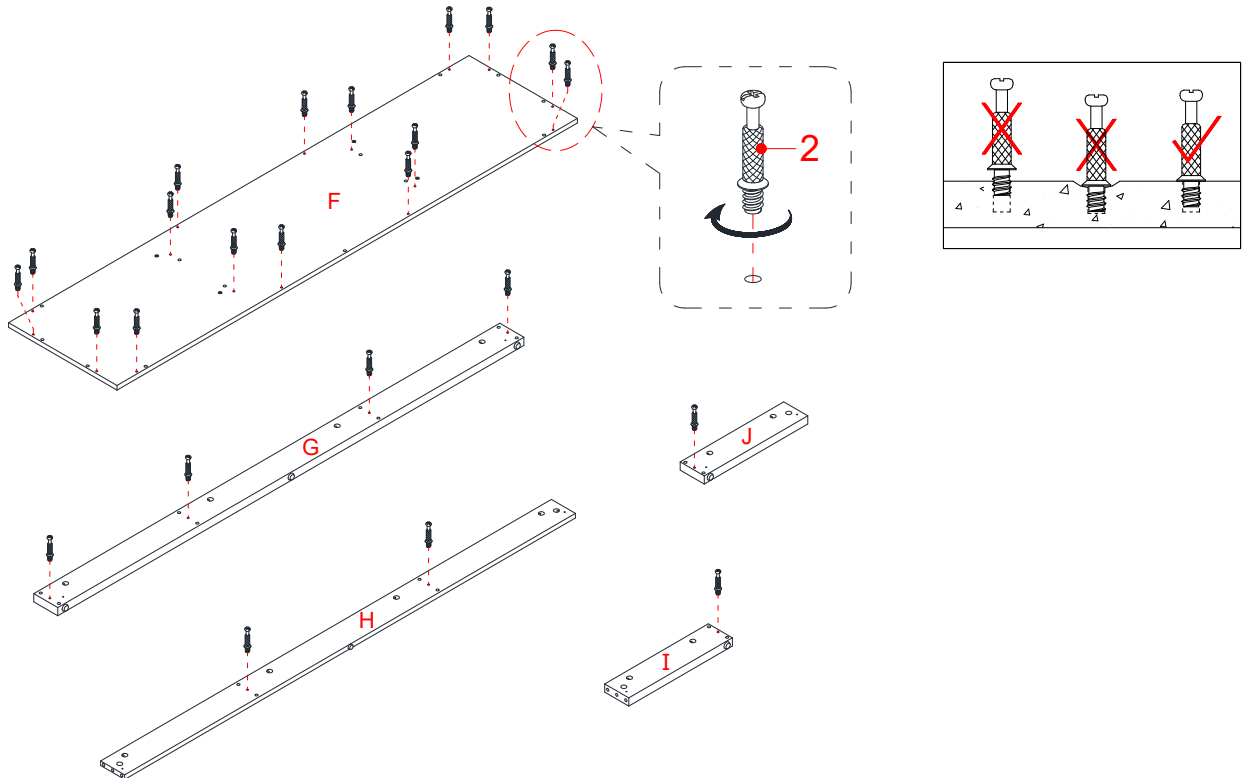
Touch-up Pen
(Qty. 1)



Tipping Restraint Hardware Kit (Qty. 2)
(Included in plastic bag)

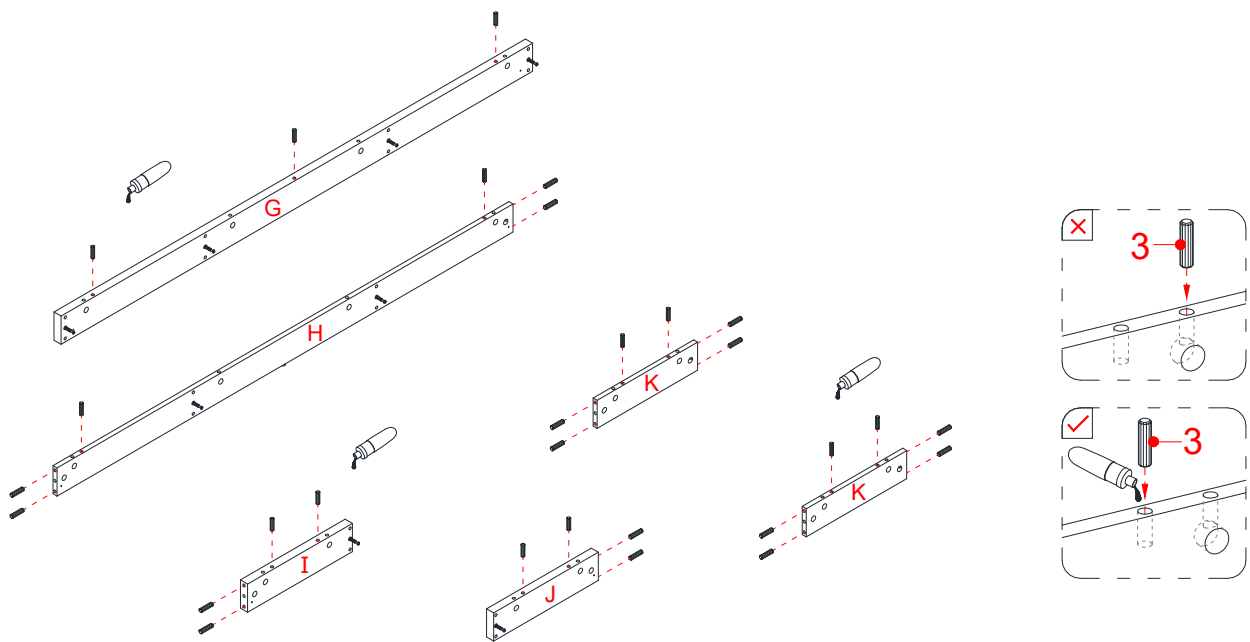
Tools required (not included): Phillips screwdriver, stud finder, power drill, pencil, tape measure, and 3 mm/0.1 drill bit.

Assembly Instructions



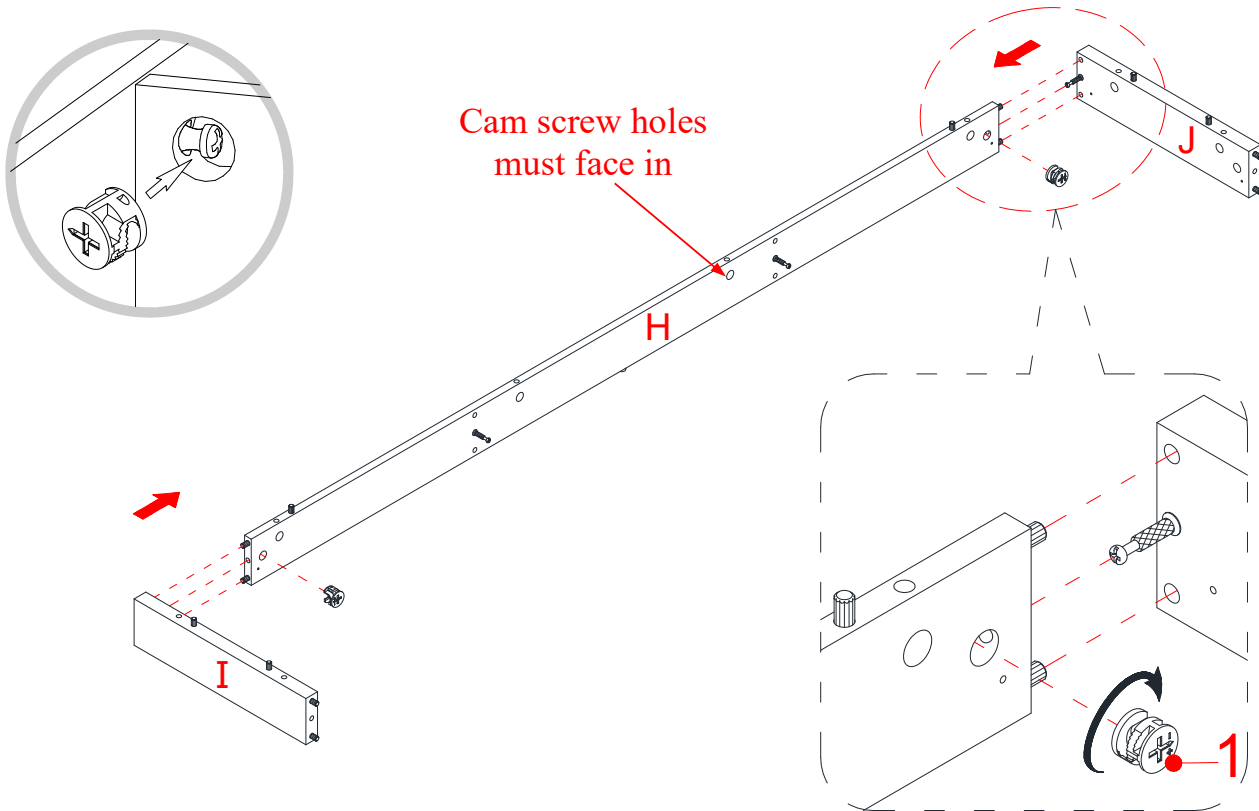
NOTE: Please do not fully tighten all bolts until you finish assembling all parts. Once assembled, go back and fully tighten all bolts. This will make it easier during assembly of unit.

1. Unpack the unit and confirm that you have all the hardware and required parts. Assemble the unit on a carpeted floor or the empty carton to avoid any scratch.
2. Securely screw the Cam Bolts (2) into the designated small holes on the Bottom Panel (F) and Skirtings (G, H, I and J) with a Phillips screwdriver. **DO NOT** overtighten the Cam Bolts.

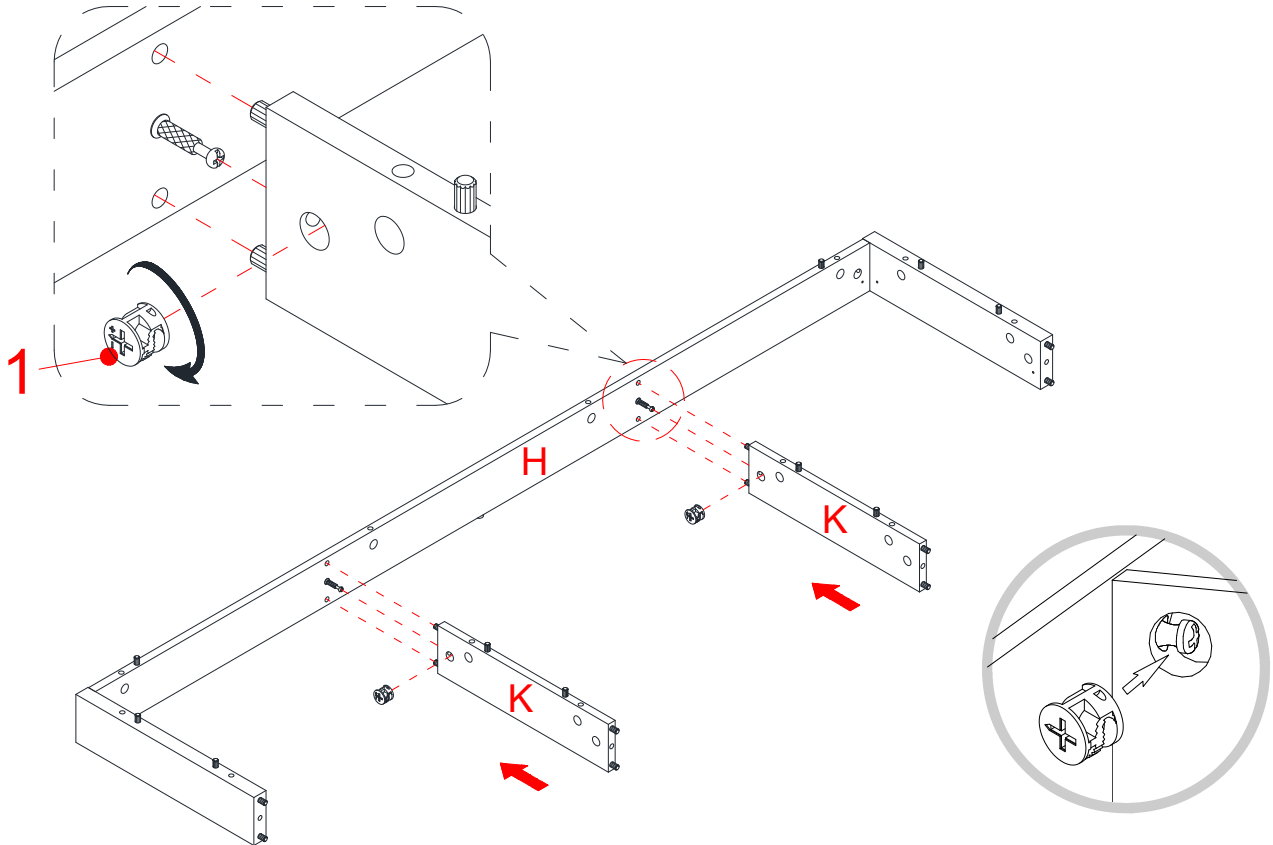


3. Glue the Wood Dowels (3) into the side holes of the Skirtings (G, H, I and J) and Base Middle Supports (K). Tap in with a rubber mallet, if necessary. Make sure that you use a small amount of glue with both ends of all dowels.

Assembly Instructions

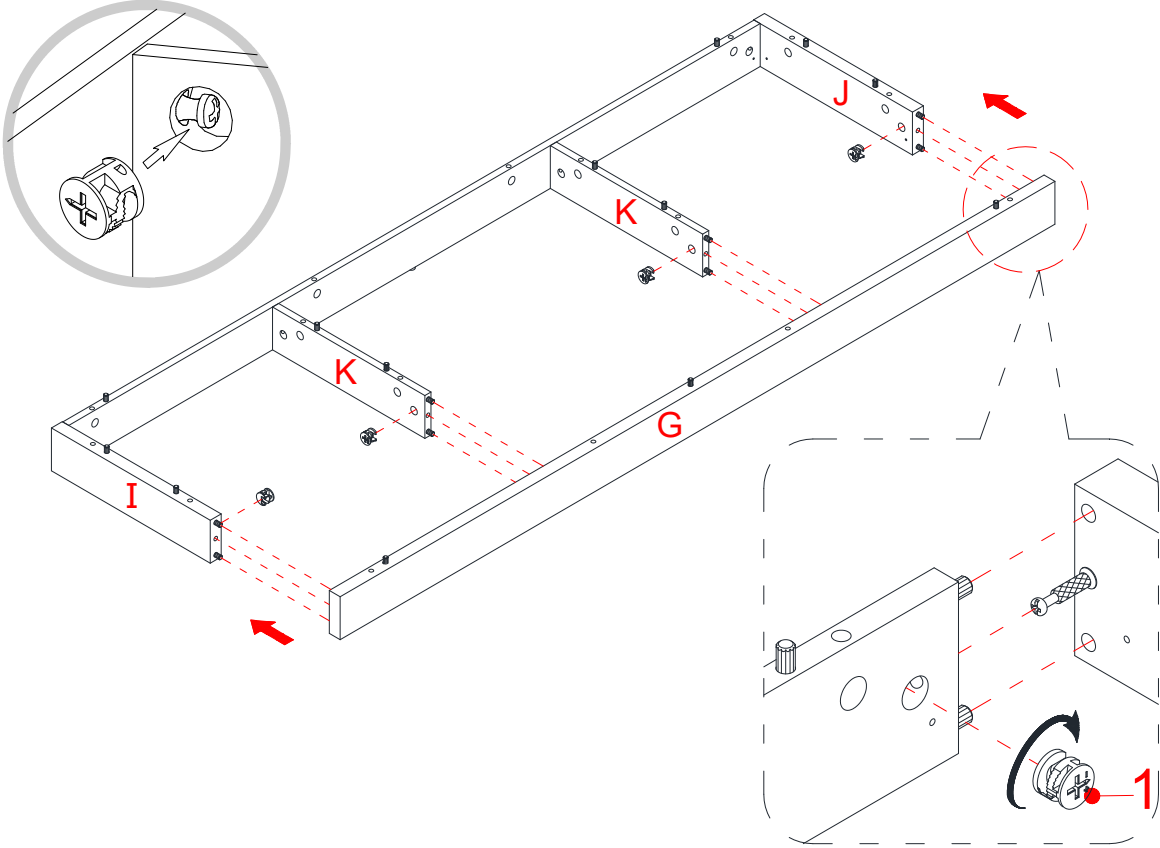


4. Attach Back Skirting (H) between the Left and Right Skirtings (I and J) by engaging two Cam Locks (1).

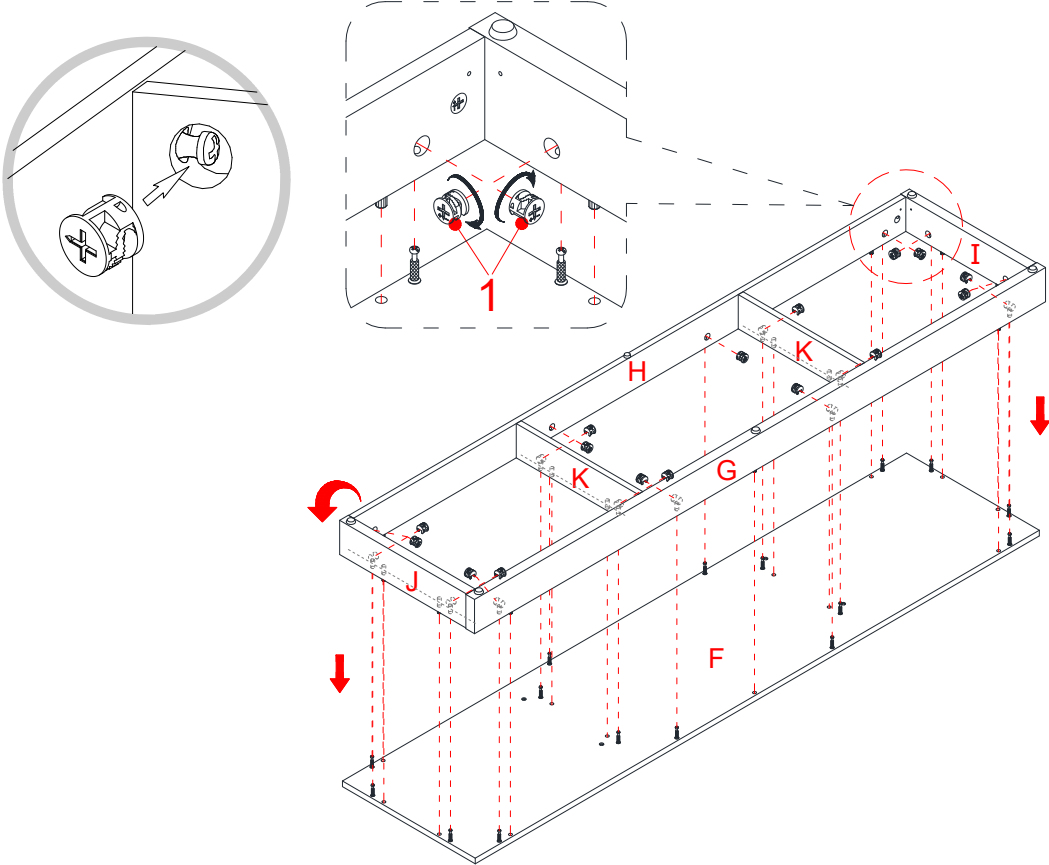


5. Attach Base Middle Supports (K) to the Back Skirting (H) by engaging one Cam Lock (1) per support.

Assembly Instructions

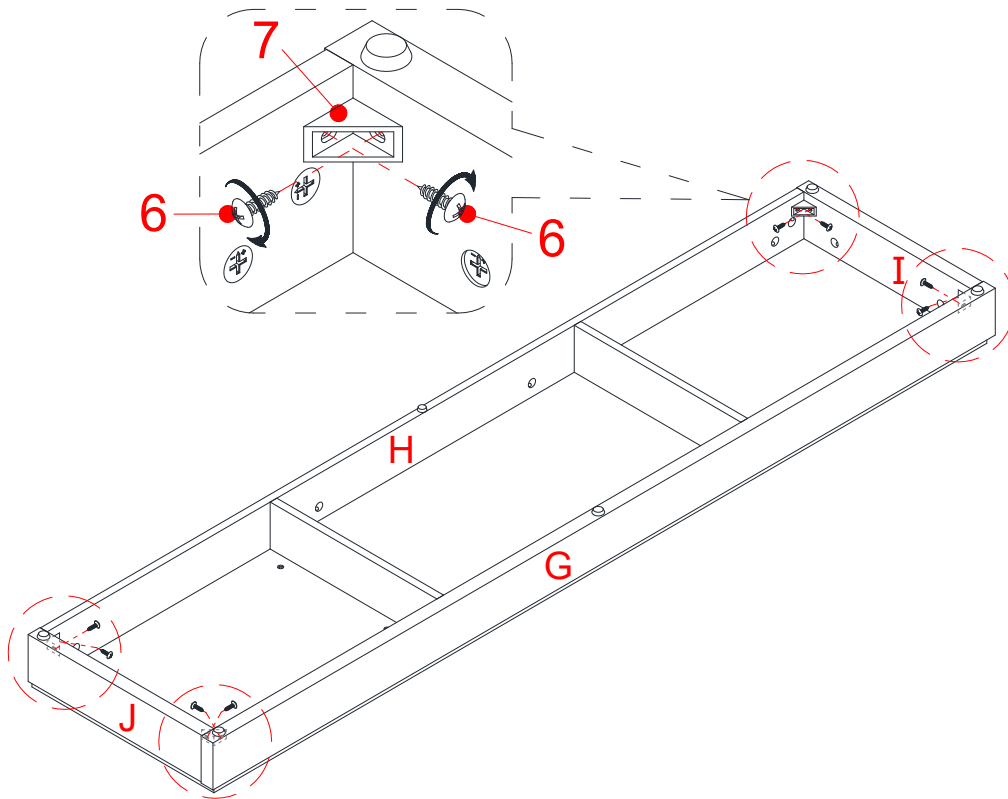


6. Attach the Front Skirting (G) to the previous assembly by engaging four Cam Locks (1).

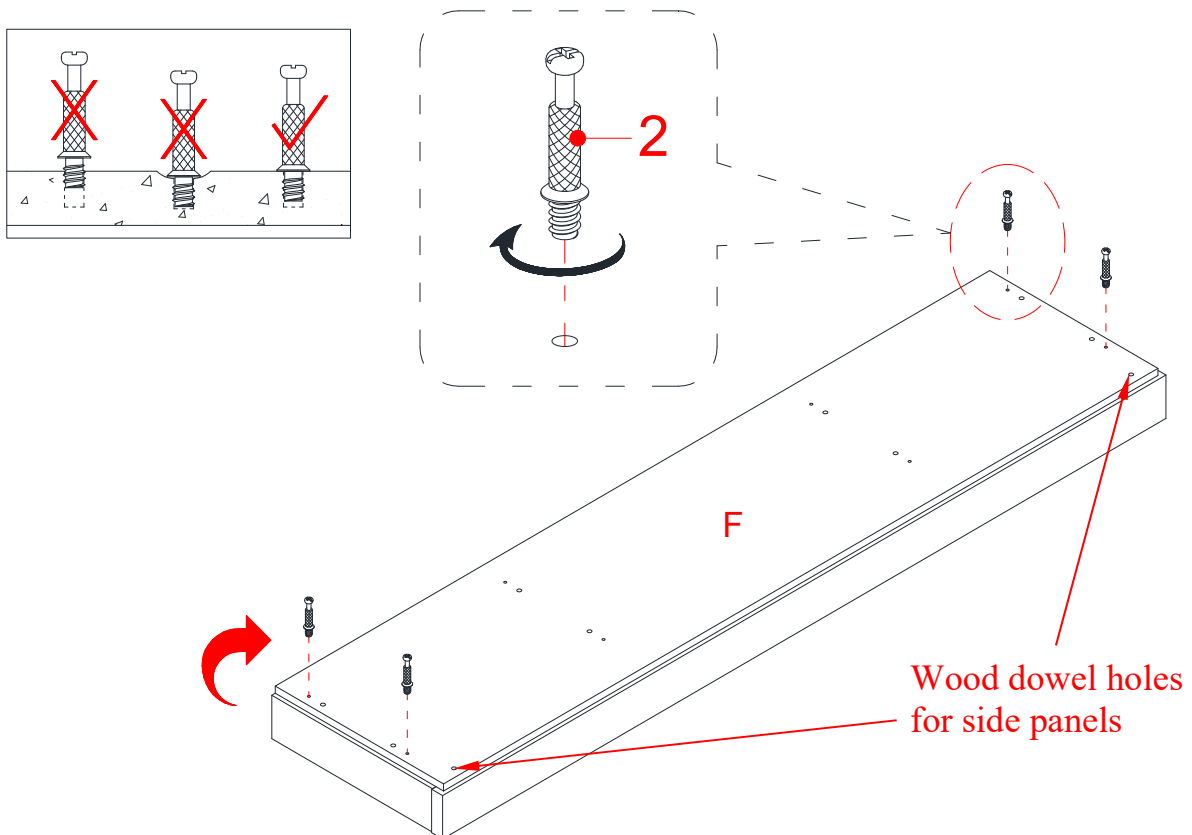


7. Attach the assembled base to the Bottom Panel (F) by engaging sixteen Cam Locks (1).

Assembly Instructions

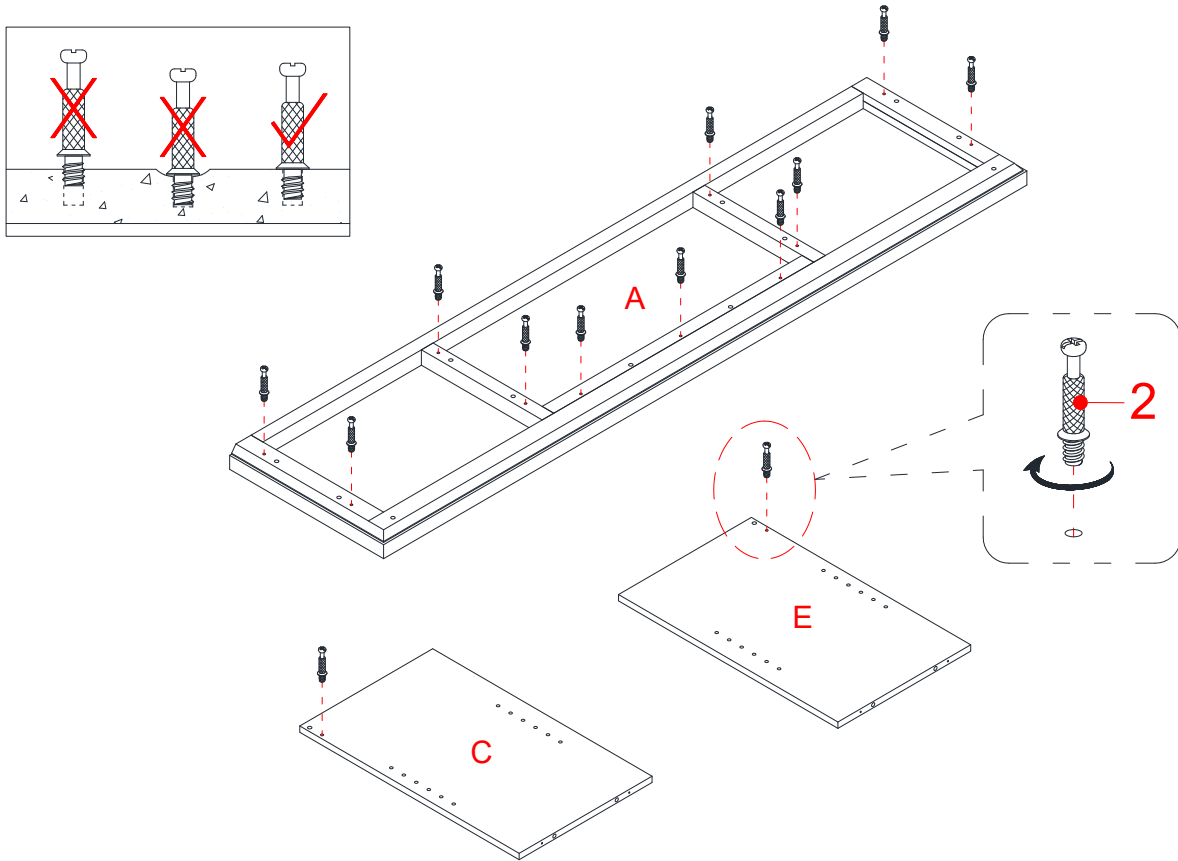


- Secure the base in place by attaching one Corner Conector (7) at each skirting joint with two 12 mm Pan Head Screws (6).

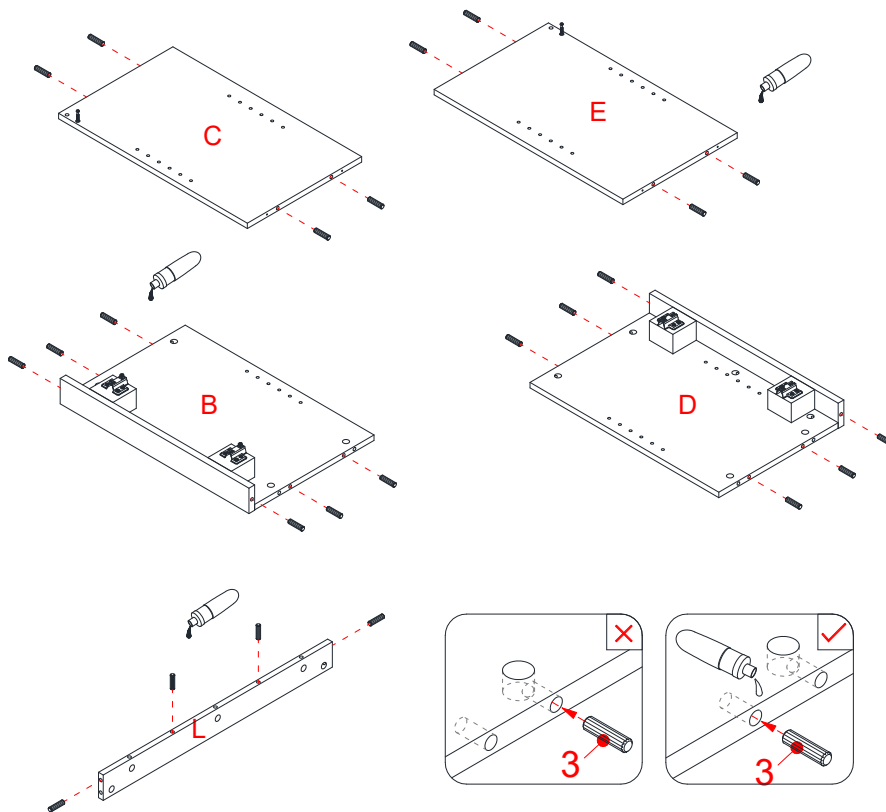


- Securely screw the Cam Bolts (2) into the designated small holes on the top surface of the Bottom Panel (F) with a Phillips screwdriver.

Assembly Instructions

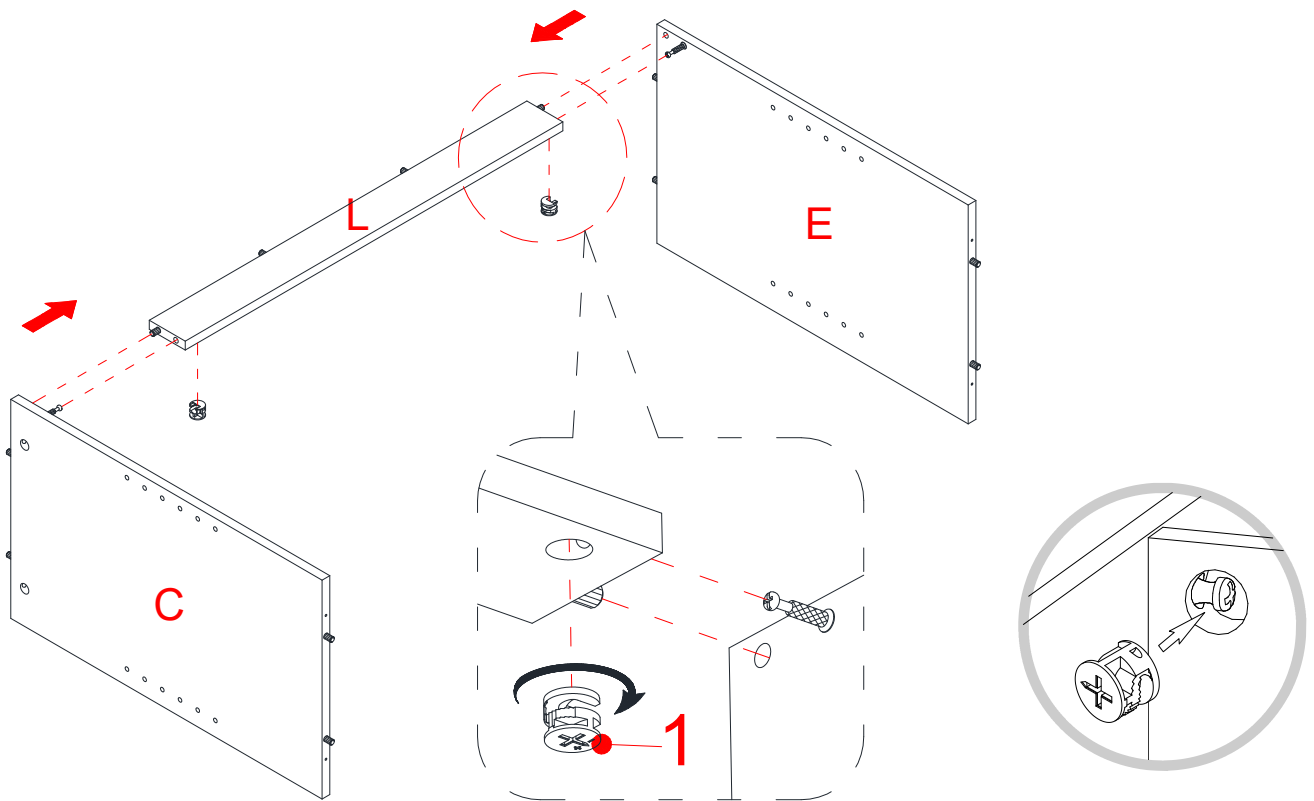


10. Securely screw the Cam Bolts (2) into the designated small holes on the Top Panel (A) and Partition Panels (C and E) with a Phillips screwdriver.

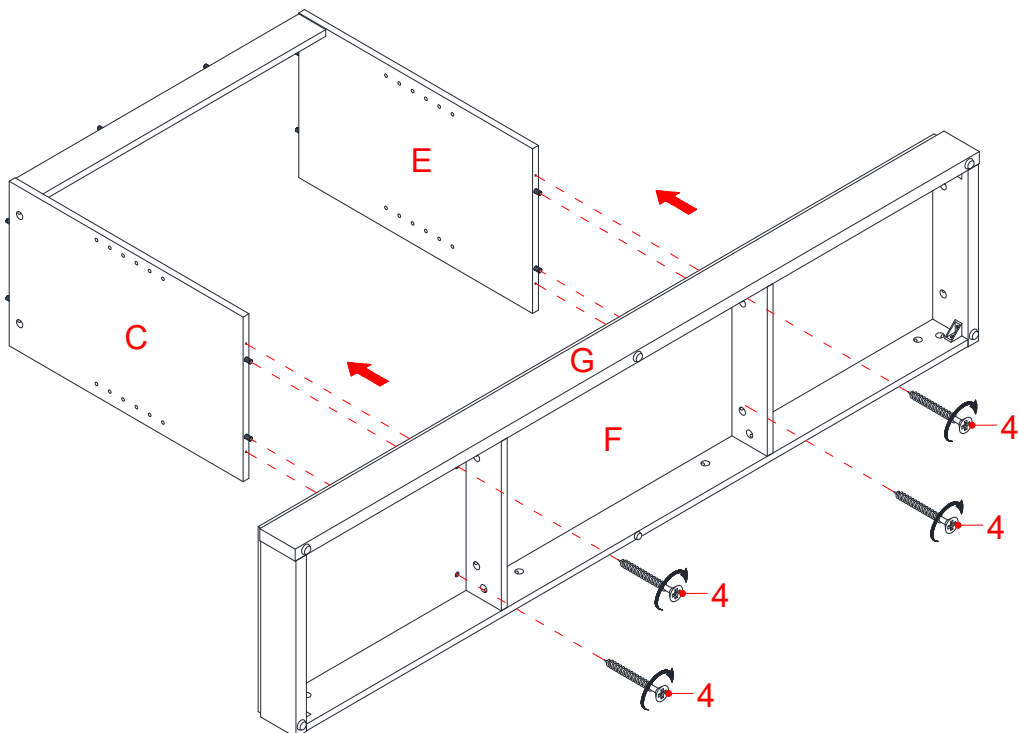


11. Glue the Wood Dowels (3) into the side holes on the Side Panels (B and D), Partition Panels (C and E) and Top Front Stretcher (L).

Assembly Instructions



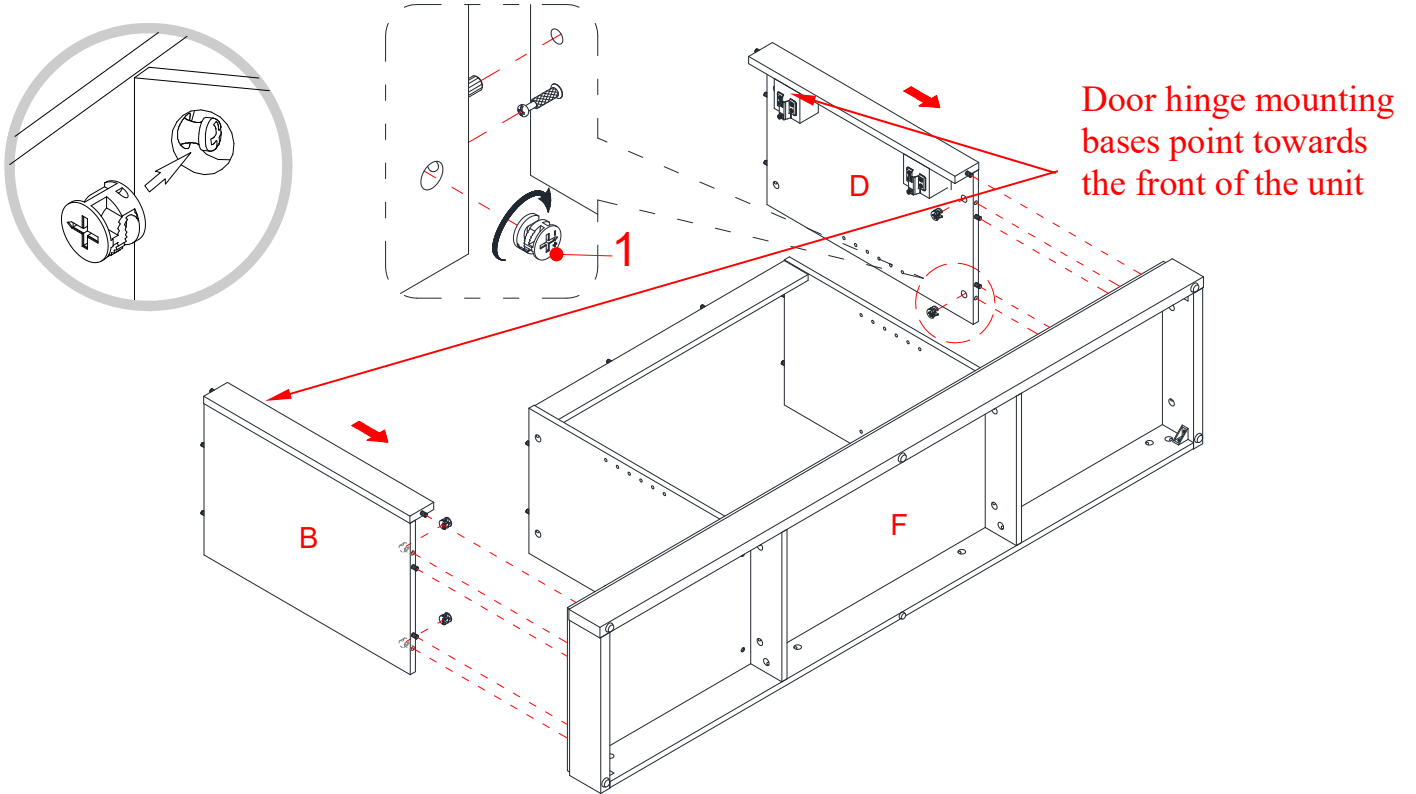
12. Attach Top Front Stretcher (L) between the Partition Panels (C and E) by engaging two Cam Locks (1).



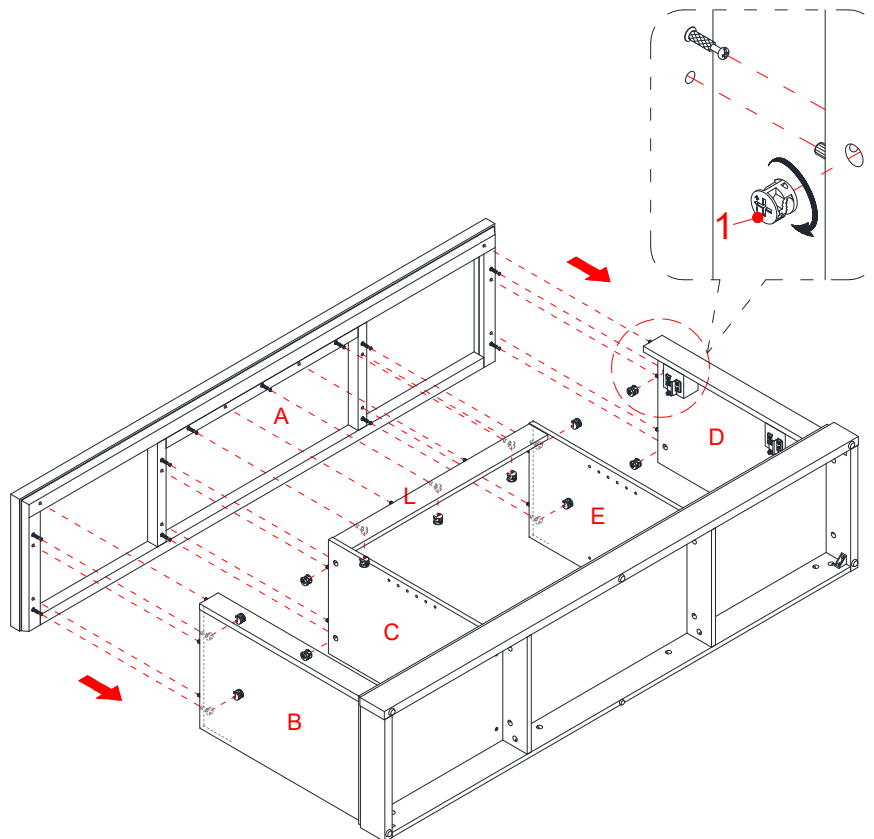
13. Align the drilled holes on the Bottom Panel (F) with the inserted Wood Dowels on both Partition Panels (C and E), then press them together.

14. Insert four 50 mm screws (4) through the predrilled holes on the Bottom Panel (F) and securely screw into the Partition Panels (C and E).

Assembly Instructions

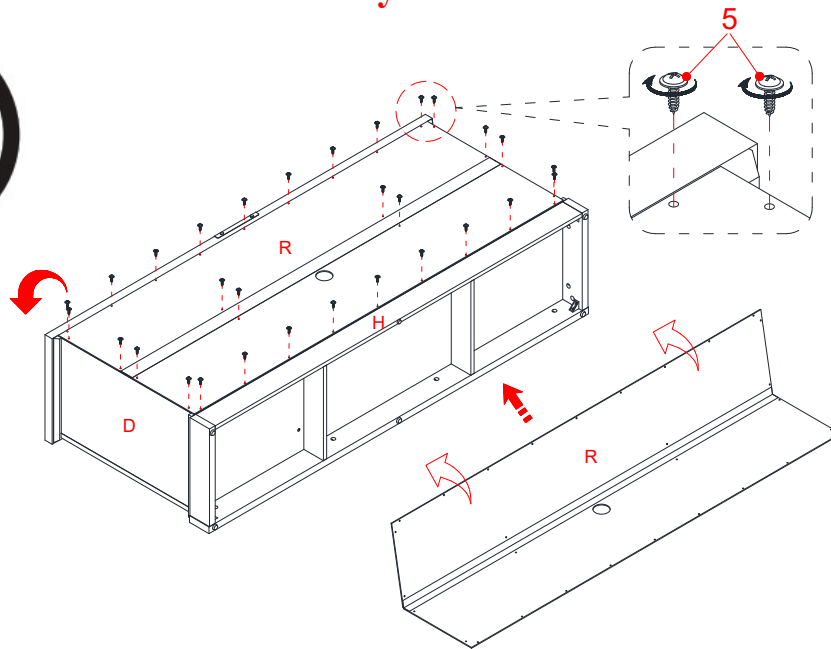


15. Attach the Side Panels (B and D) to the Bottom Panel (F) by engaging four Cam Locks (1).



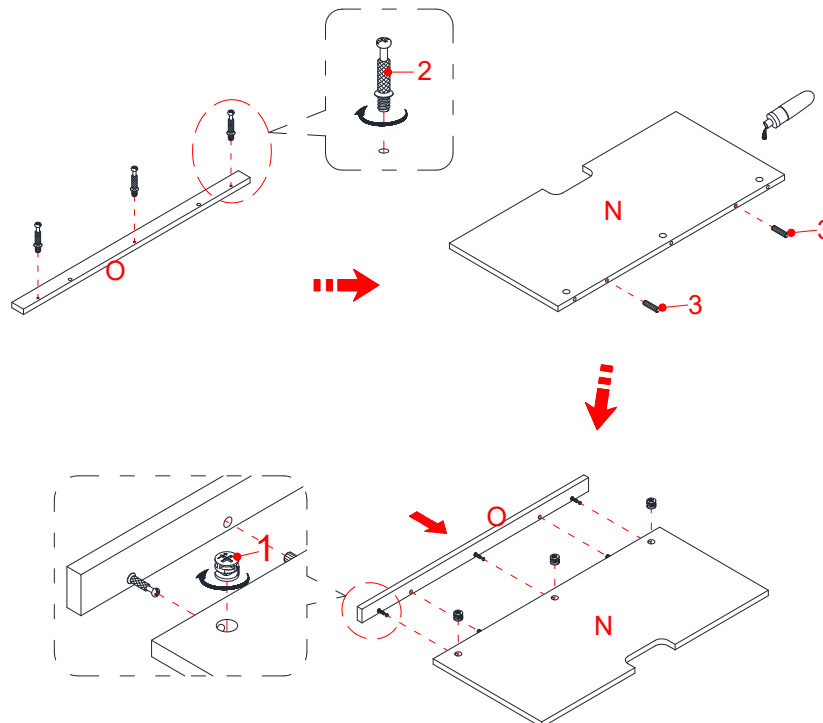
16. Attach the Top Panel (A) to the Top Front Stretcher (L), Side Panels (B and D) and Partition Panels (C and E) by engaging eleven Cam Locks (1).

Assembly Instructions



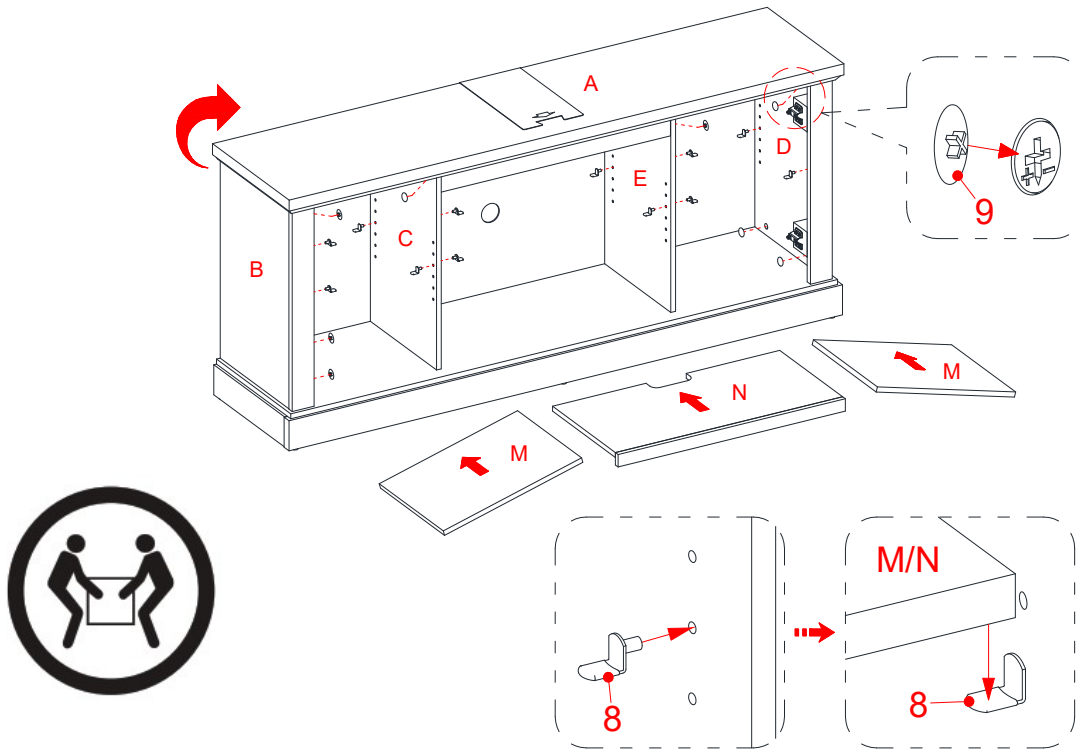
17. Now, go back and tighten all cam locks. Make sure that all the parts are tight and there are no gaps between the pieces. This will help keep the unit square.
18. Turn the assembled unit over so that its back is facing up.
19. Unfold the Back Panel (R) and lay it to the back edges of the assembled unit so that the drilled holes on the Back Panel overlap the pilot holes on the Top Panel (A) properly. Fasten the Back Panel (R) into place with the provided Washer Head Screws (5).

NOTE: We recommend attaching back panel with the washer head screws at the corners first.

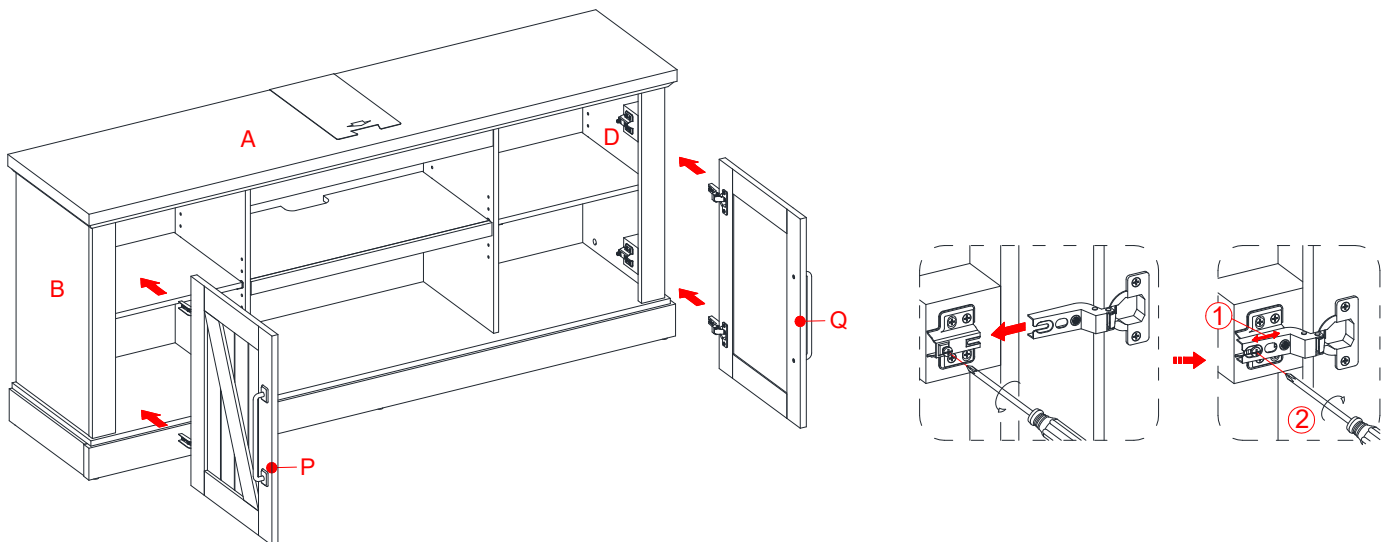


20. Securely screw three Cam Bolts (2) into the designated small holes on the Center Shelf Molding (O) using a Phillips screwdriver.
21. Glue two Wood Dowels (3) into the side holes on the Center Adjustable Shelf (N).
22. Align and attach the Center Shelf Molding (O) to the Center Adjustable Shelf (N) by engaging three Cam Locks (1).

Assembly Instructions

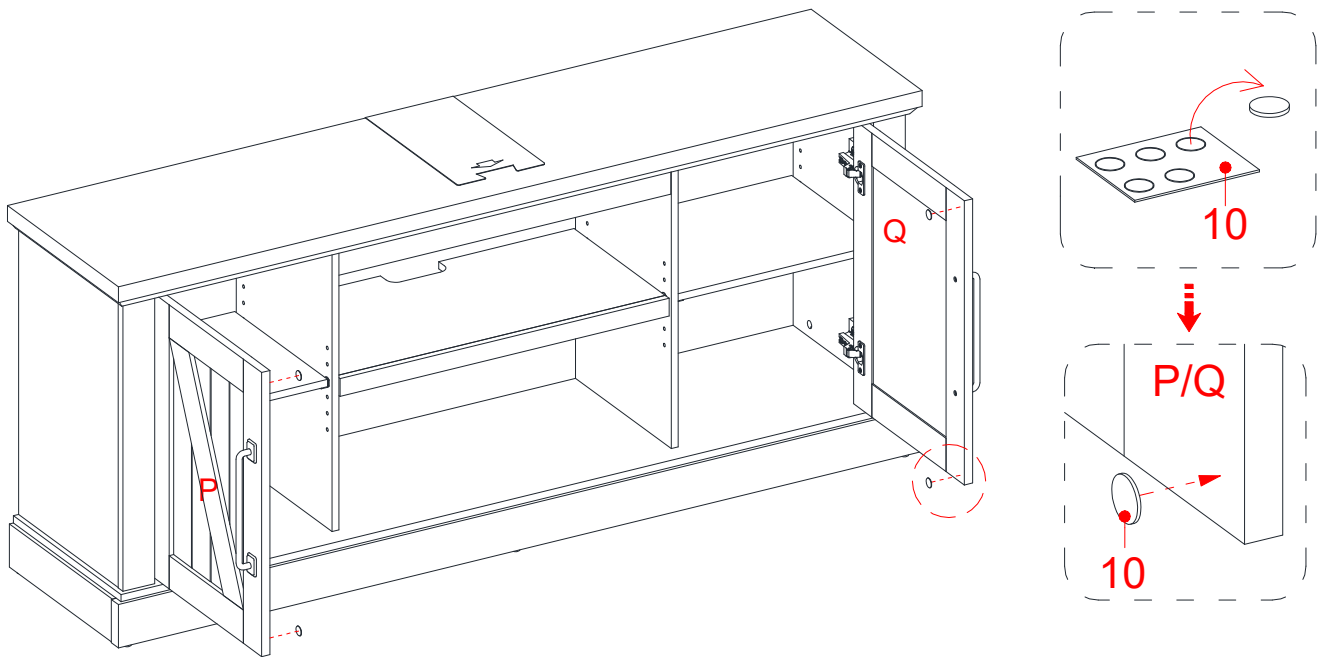


23. Stand the previous assembly upright.
24. Insert four Shelf Supports (8) into the holes at your desired height on each compartment. Make sure that you place the shelf supports at the same level so the shelves are not tilted.
25. Tilt and rest the Adjustable Shelves (M and N) onto the Shelf Supports (8).
26. Insert the Cam Lock Covers (9) into the cross slots on the visible cam locks on the vertical panels (B, C, D and E).

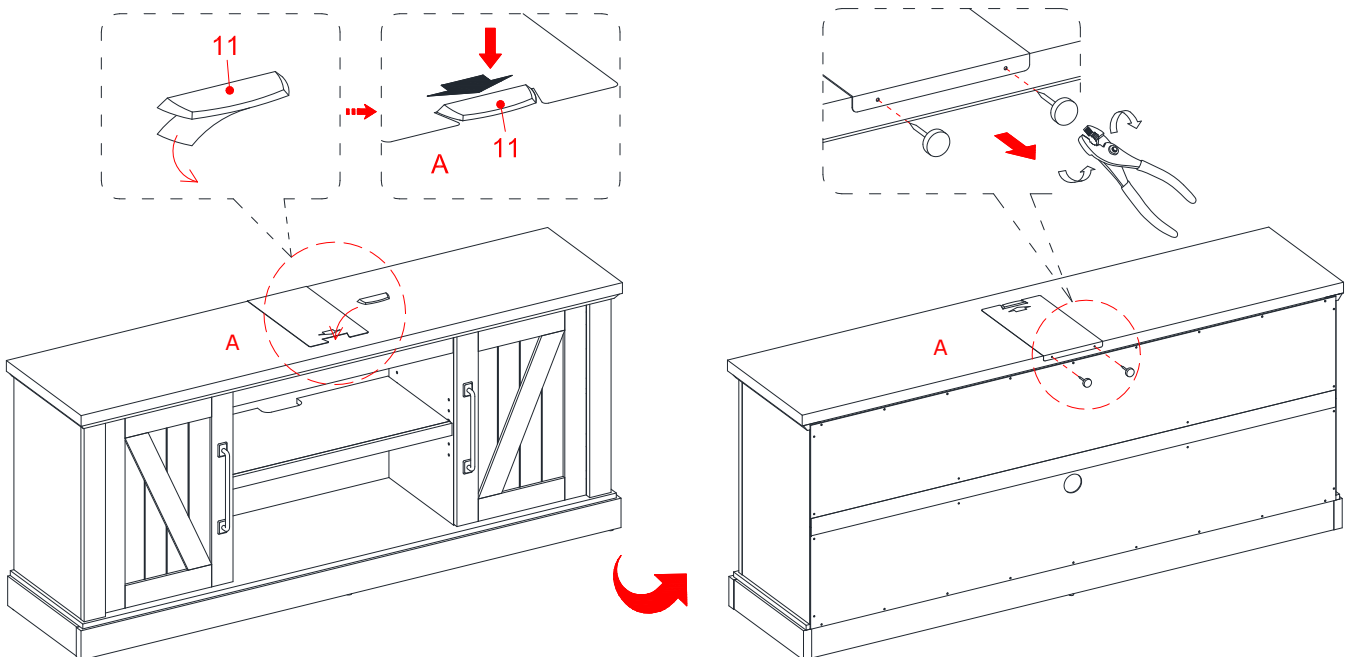


27. Pick up the Left Door (P) and attach the extended hinge arms to the hinge bases installed on the Left Side Panel (B). Loosen the bolt on the back of hinge base for an easy fit. Align and insert the “U” slot on hinge arm under the bolt head on the back of hinge base. Make sure that both door hinges engage and function properly. Tighten the bolt on the hinge base to lock the hinges in place.
28. Repeat the same procedure to install the Right Door (Q) to the Right Side Panel (D).
29. Open and close the doors to make sure they are aligned and shut correctly. If necessary, adjust the screws for a good fit. Refer to the hinge sticker on door frame for adjustment.

Assembly Instructions



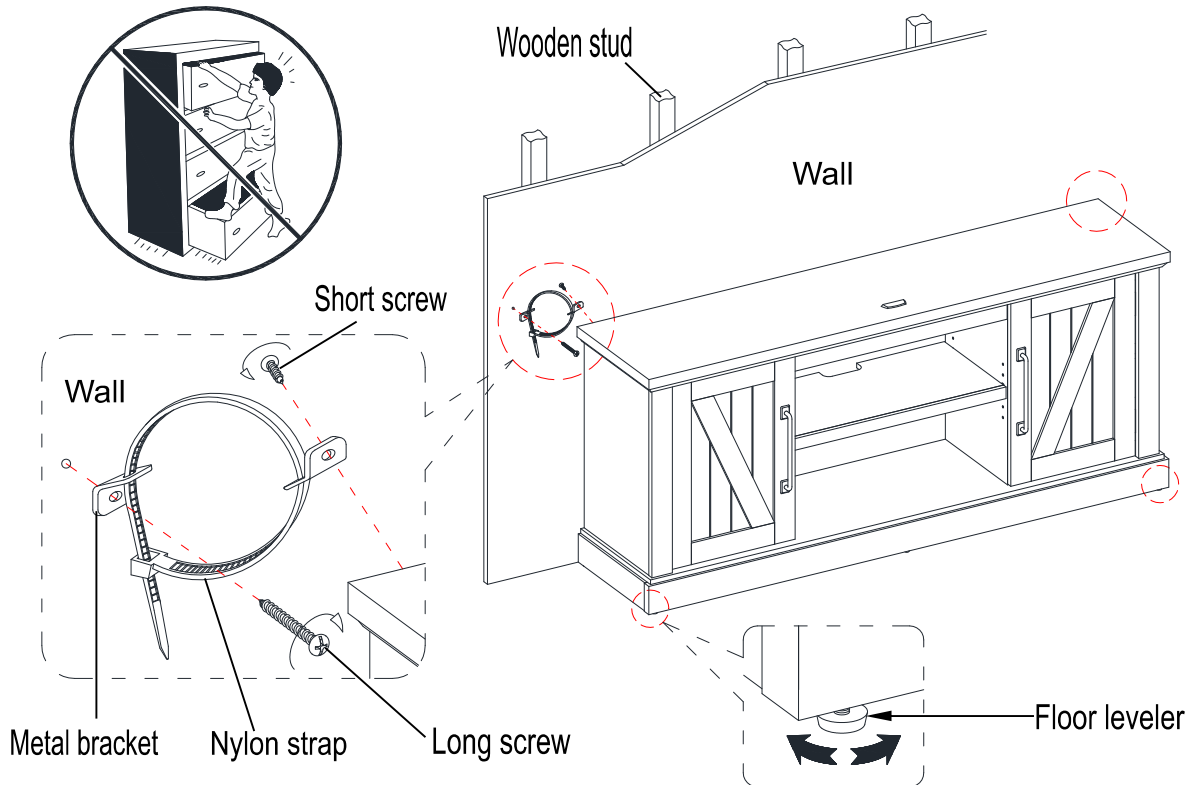
30. Stick the Rubber Bumpers (10) at the outer corners of both Doors (P and Q) where they meet the Partition Panels (C and E).



NOTE: To prevent your TV from tipping, you must install the Stopper if you place a flat panel television on the top panel. Otherwise, skip to “step 32”.

31. Remove the paper backing of Acrylic Stopper (11), then properly align the acrylic stopper into the cut-out on the acrylic stopper template on the Top Panel (A). Press down on the acrylic stopper to help adhesion.
32. At the back of Top Panel (A), carefully unscrew two thumb tacks to remove the acrylic stopper template.

Assembly Instructions



Tools required: Phillips screwdriver, stud finder, pencil, tape measure, power drill and 1/8" drill bit.

33. Ask for assistance to position the assembled TV console at the desired location against a wall. If necessary, adjust the pre-attached floor levelers at the bottom of the Front Skirting (G) to correct the tilt and level the doors.
34. Follow the instructions printed on the plastic bag containing the Tipping Restraint Hardware to attach the tip-over restraints to the unit and the wall.

NOTE: The tipping restraint hardware included is for wooden stud wall construction. It must be attached to a wall stud. Depending upon your wall construction, different anchor hardware maybe required. Please contact your local hardware store for assistance. Young children can be seriously injured by tipping furniture. You must install the Tipping Restraint Hardware with the unit to prevent the unit from tipping, causing any accidents or damage. The tipping restraints are intended only as a deterrent, they are not a substitute for proper adult supervision. The tipping restraints are not earthquake restraints. If you wish to add the extra security of earthquake restraints, they must be purchased and installed separately.

⚠ WARNING



Children have died from furniture tip-over.

To reduce the risk of furniture tip-over:

- ALWAYS install tip-over restraint provided.
- FOR use with televisions weighing 100 lbs (45.4 kg) or less. Use with heavier televisions may result in instability causing tip-over resulting in death or serious injury.
- NEVER allow children to stand, climb or hang on drawers, doors, or shelves.
- NEVER open more than one drawer at a time.
- Place heaviest items in the lowest drawers.

Use of tip-over restraints may only reduce, but not eliminate, the risk of tip-over.

Care and Maintenance

- Use a soft, clean cloth that will not scratch the surface when dusting.
- Use of furniture polishes is not necessary. Should you choose to use polishes, test first in an inconspicuous area.
- Using solvents of any kind on your furniture may damage the finish.
- Never use water to clean your furniture as it may cause damage to the finish.
- Always use coasters under beverage glasses and flowerpots.
- Liquid spills should be removed immediately. Using a soft, clean cloth, blot the spill gently. Avoid rubbing.
- Always use protective pads under hot dishes and plates. Heat can cause chemical changes that may create spotting within the furniture finish.
- Stains or marks from crayons or ink markers will be difficult to remove.
- In the event that your furniture is stained or otherwise damaged during use, we recommend that you call a professional to repair your furniture.
- Check bolts/screws periodically and tighten them if necessary.

WARNING

Please use your furniture correctly and safely. Improper use can cause safety hazards, or damage to your furniture or household items. Carefully read the following safety information.

This unit is not intended for use with CRT TVs. The top surface maximum weight capacity is 100 lbs. (45.4 kg) and maximum load 75in. (190.5 cm) diagonal flat-panel TV. The shelf maximum recommended weight allowance is 50 lbs. (22.7 kg). Use with heavier televisions may result in instability causing tip over resulting in death or serious injury.

Death or serious injury may occur when children climb on audio and/or video equipment furniture. A remote control or toys placed on the furnishing may encourage a child to climb on the furnishing and as a result may tip over onto the child.

NEVER allow children to climb or play with the TV or furnishing supporting the TV.

NEVER place toys, food, remote, etc. on top of the TV or TV furnishing.

ALWAYS use either the safety hardware as instructed or other wall anchoring device.

Relocating audio and/or video equipment to furniture not specifically designed to support audio and/or video equipment may result in death or serious injury due to furniture collapse or over turning onto a child.

NEVER place a TV on furniture that is not intended to support a TV.

NEVER exceed the maximum size and weight of the TV shown in the instructions.

Be sure to refer to the TV warning label as shown in the instructions.

Overloading drawers and shelves may result in furniture that can break or sag, or tip-over which may result in injury.

NEVER exceed the weight limits shown in the instructions.

Place the heavier items on lower shelves as far back from the front as possible.

Load the bottom surfaces first to avoid top-heavy furniture.

Moving furniture that is not designed to be moved or equipped with casters may result in injury or damage to furnishings or personal property.

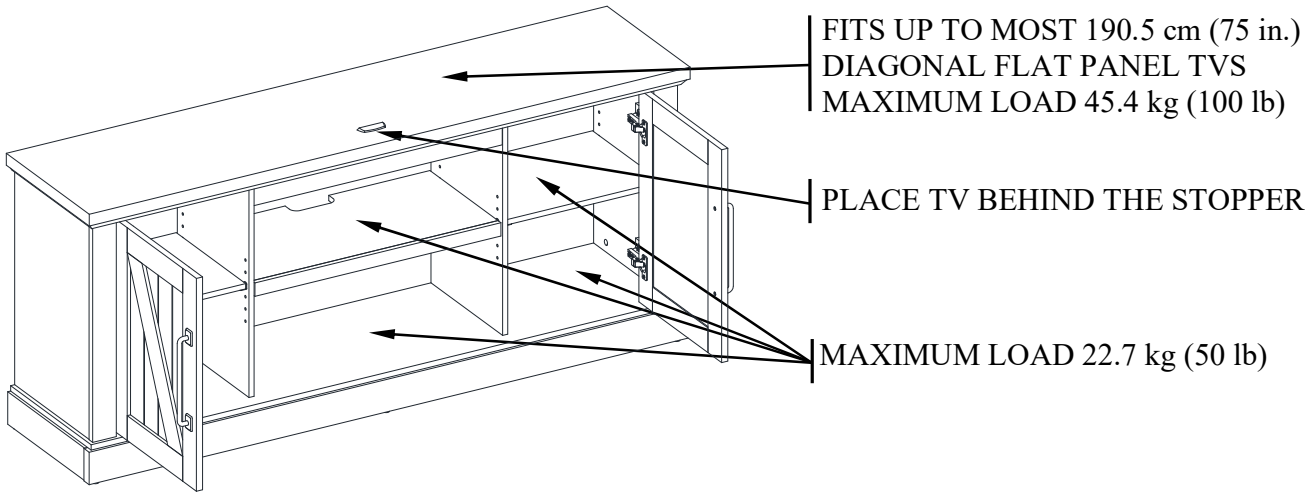
ALWAYS unload shelves and drawers, starting with the top surfaces, before moving.

NEVER push or pull furniture on carpet. Have a friend help lift properly to move and/or reposition it.

The console is not meant as a seat and no one should be sitting or standing on the stand.

MAXIMUM RECOMMENDED WEIGHT LOADS

MANUFACTURER: Whalen Furniture Manufacturing
CATALOG: Media TV Console
MODEL # BJAVCL65-3



WARNING

THIS UNIT IS NOT INTENDED FOR USE WITH CRT TVS. USE ONLY WITH FLAT PANEL TVS AND AUDIO/VIDEO EQUIPMENT MEETING RECOMMENDED SIZE AND WEIGHT LIMITS. NEVER USE WITH LARGER/HEAVIER THAN RECOMMENDED FLAT PANEL TVS OR EQUIPMENT. TO AVOID INSTABILITY, PLACE FLAT PANEL TV IN THE CENTER OF THE UNIT; THE BASE OF THE TELEVISION MUST BE ABLE TO REST ON THE SUPPORTING SURFACE OF THE UNIT WITHOUT OVER-HANGING THE EDGES. IMPROPERLY POSITIONED FLAT PANEL TVS, OR FLAT PANEL TVS INCLUDING OTHER EQUIPMENT THAT EXCEED RECOMMENDED SIZE AND WEIGHT LIMITS COULD FALL OFF OR BREAK THE UNIT, CAUSING POSSIBLE SERIOUS INJURY. FOR USE WITH TELEVISIONS WEIGHING 100 LBS (45.4 KG) OR LESS. USE WITH HEAVIER TELEVISIONS MAY RESULT IN INSTABILITY CAUSING TIP OVER RESULTING IN DEATH OR SERIOUS INJURY.

QUALITY GUARANTEE

We are confident that you will be delighted with your Whalen Furniture purchase.

Should this product be defective in workmanship or materials or fail under normal use, we will repair or replace it for up to one (1) year from date of purchase. Every Whalen Furniture product is designed to meet your highest expectations. We guarantee that you will immediately see the value of our fine furniture.

This warranty gives you specific legal rights and you may also have other rights which vary from state to state or province to province.

Whalen Furniture Manufacturing,
1578 Air Wing Road
San Diego CA, 92154 USA
Customer Service: 1-866-942-5362
8:30 a.m. - 4:30 p.m., PST, Monday to Friday
www.whalenfurniture.com