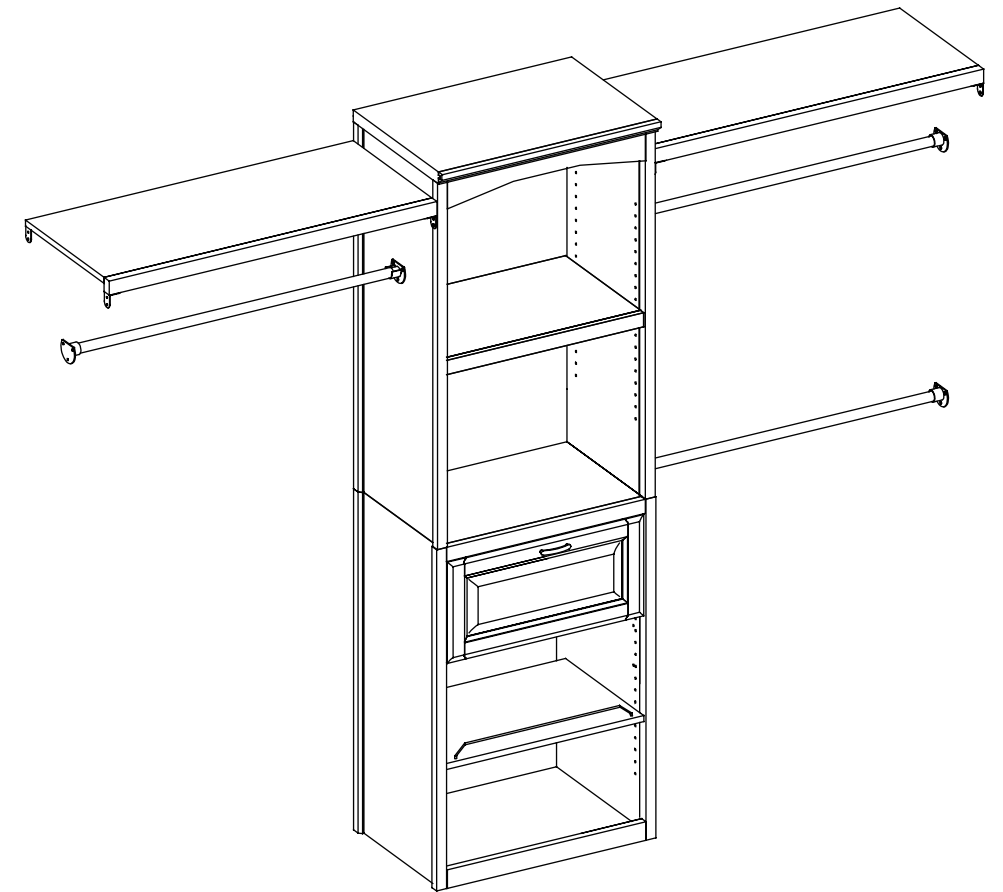


allen + roth®

welcoming • sophisticated • inspiring



WARNING

UNIT MUST BE PERMANENTLY FASTENED TO THE WALL WITH PROVIDED HARDWARE; THIS STORAGE UNIT IS NOT DESIGNED OR INTENDED FOR FREESTANDING USE.

allen + roth® is a registered trademark of LF, LLC. All Rights Reserved.

ITEM #5130289, 5130290

Wood Closet Kit

MODEL # LWSCSC, LWSCSBW

Français p. 22

Español p. 43

ATTACH YOUR RECEIPT HERE

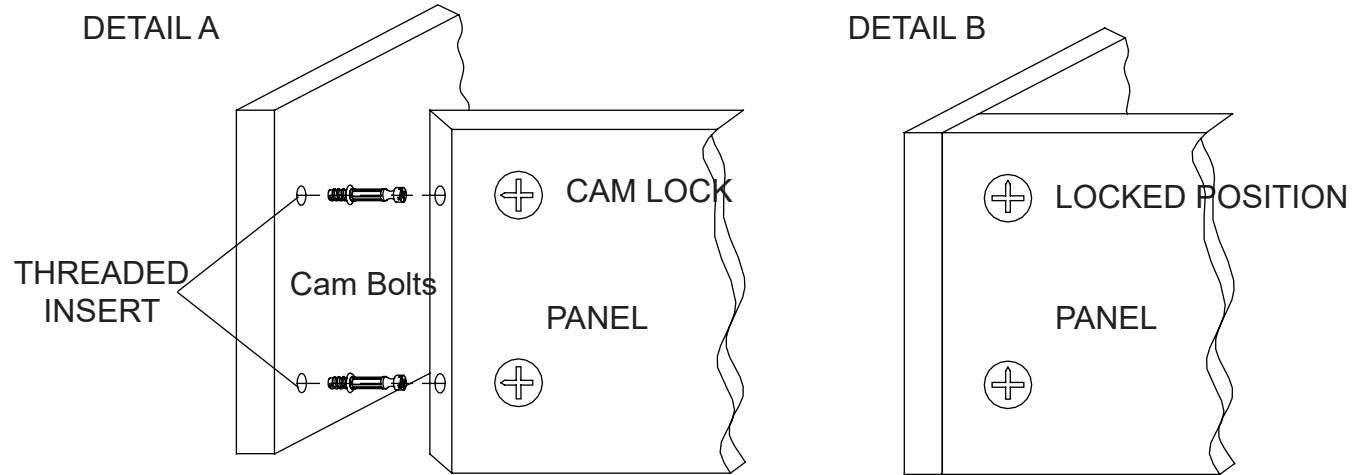
Serial Number _____ Purchase Date _____

Questions, problems, missing parts? Before returning to your retailer, call our customer service department at 1-866-439-9800, 8 a.m. - 8 p.m., EST, Monday - Friday.

TABLE OF CONTENTS

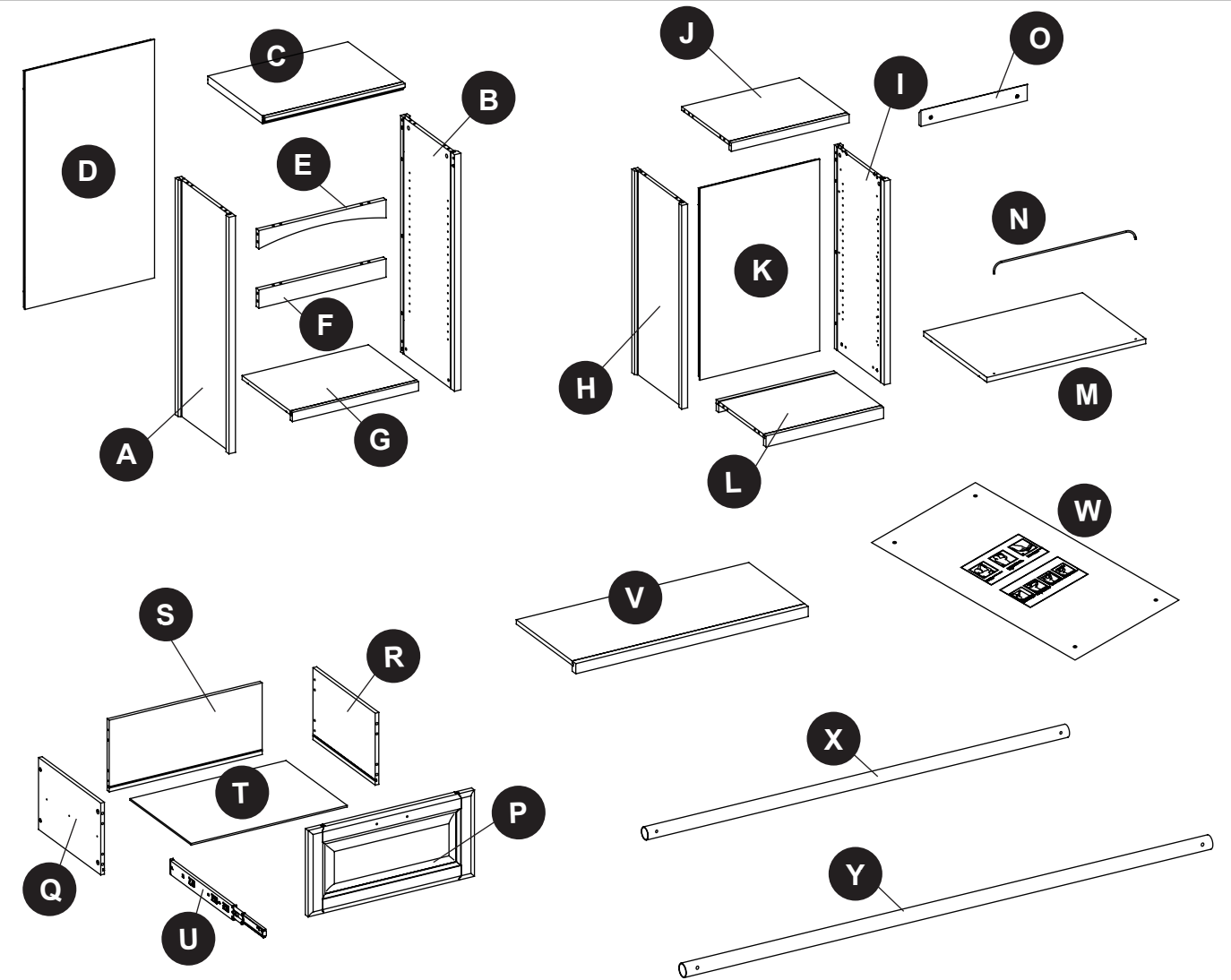
Camlock System Operation.....	2
Package Contents.....	3
Hardware Contents.....	4
Safety Information.....	6
Preparation	6
Assembly Instructions.....	7
Care and Maintenance	17
Troubleshooting.....	17
Warranty.....	19
Replacement Parts List	19

CAM LOCK SYSTEM OPERATION



1. Screw cam bolts into the predrilled small holes on panel.
2. Insert cam lock into predrilled large hole on panel.
3. Make sure the arrow on the cam lock is pointed toward the cam bolts.
4. Connect both panels together, making sure cam bolts goes into predrilled hole on the end of panel with cam lock.
5. Once cam bolts is connected inside cam lock, take Phillips screwdriver and tighten cam lock clockwise.

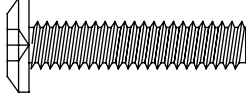
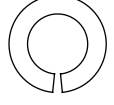
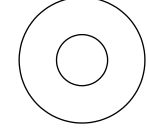
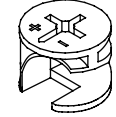
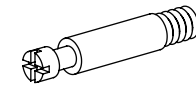

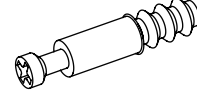



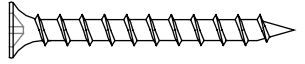
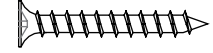
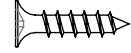

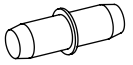
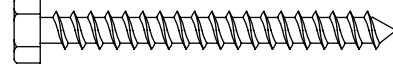
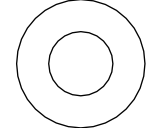
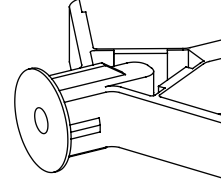
PACKAGE CONTENTS





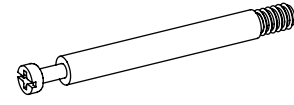
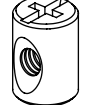
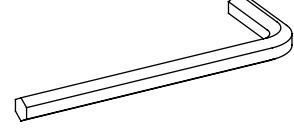
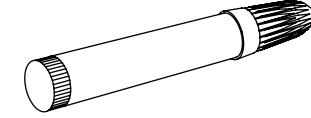
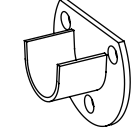
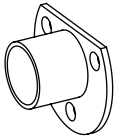

PART	DESCRIPTION	QUANTITY
A	Hutch Panel Left	1
B	Hutch Panel Right	1
C	Hutch Panel Top	1
D	Hutch Panel Back	1
E	Front Curved Stretcher	1
F	Front Straight Stretcher	1
G	Adjustable Shelf	1
H	Base Panel Left	1
I	Base Panel Right	1
J	Base Panel Top	1
K	Base Panel Back	1
L	Base Panel Bottom	1
M	Shoe shelf	1
N	Wire stopper	1

PART	DESCRIPTION	QUANTITY
O	Wall Hanging Cleat	2
P	Drawer Front	1
Q	Drawer Panel Left	1
R	Drawer Panel Right	1
S	Drawer Back	1
T	Drawer Bottom	1
U	Slide	2
V	Long Shelf	2
W	Installation Template	1
X	22 mm Metal Pole	3
Y	25 mm Metal Pole	3

HARDWARE CONTENTS (shown not actual size)

AA	BB	CC	DD	EE
				
1/4 x 1-1/4 in. Bolt	Lock Washer	Flat Washer	Large Cam Lock	Medium Cam Bolt
Qty. 12	Qty. 12	Qty. 12	Qty. 30	Qty. 26
FF	GG	HH	II	JJ
				
Small Cam Lock	Small Cam Bolt	Large Wood Dowel	Small Wood Dowel	M6 x 10 mm Screw
Qty. 4	Qty. 4	Qty. 30	Qty. 8	Qty. 4
KK	LL	MM	NN	
				
M4 x 38 mm Wood Screw	M4 x 25 mm Wood Screw	M4 x 14 mm Wood Screw	M3.5 x 12 mm Wood Screw	
Qty. 17	Qty. 4	Qty. 33	Qty. 6	
OO	PP	QQ	RR	
				
Shelf Pin	M8 x 2-1/2 in. Lag Bolt	Large Flat Washer	Wall Anchor	
Qty. 8	Qty. 4	Qty. 4	Qty. 8	

HARDWARE CONTENTS (shown not actual size)

SS	TT	UU	VV
			
L - Bracket	Drawer Handle	Large Cam Bolt	Barrel Nut
Qty. 8	Qty. 1	Qty. 4	Qty. 4
WW	XX	YY	ZZ
			
M4 Allen Wrench	Touch-up Pen	Open Pole Holder	Closed Pole Holder
Qty. 1	Qty. 1 (not included for Item #5130290)	Qty. 3	Qty. 3
AB			
			
M4 x 15 mm Self-tapping Screw			
Qty. 6			

SAFETY INFORMATION

Please read and understand this entire manual before attempting to assemble, operate or install the product.

- Do not allow children to climb or play in or around this product.
- To avoid damage, assemble the product on a sturdy, level and protective surface.
- Two or more persons must work together to install the unit onto the wall.
- Make sure all bolts/screws are tightly fastened before the unit is used.
- Check bolts/screws periodically and tighten them if necessary.
- **Unit must be permanently fastened to the wall with provided hardware; this storage unit is not designed or intended for freestanding use.**

WARNING

UNIT IS INTENDED FOR USE ONLY WITH MAXIMUM WEIGHTS INDICATED. OVERLOADING STORAGE UNIT WITH PRODUCTS HEAVIER THAN MAXIMUM WEIGHT MAY RESULT IN INJURY. DISTRIBUTE ANY WEIGHT IN UNITS EVENLY.

- Shelf maximum load: 30 lbs
- Pole maximum load: 40 lbs.
- Pole maximum length: 60 in.

CAUTION

- Use this unit for its intended purpose only.
- Do not use shelves as step ladder.

PREPARATION

Before beginning assembly of product, make sure all parts are present. Compare parts with package contents list and hardware contents list. If any part is missing or damaged, do not attempt to assemble the product.

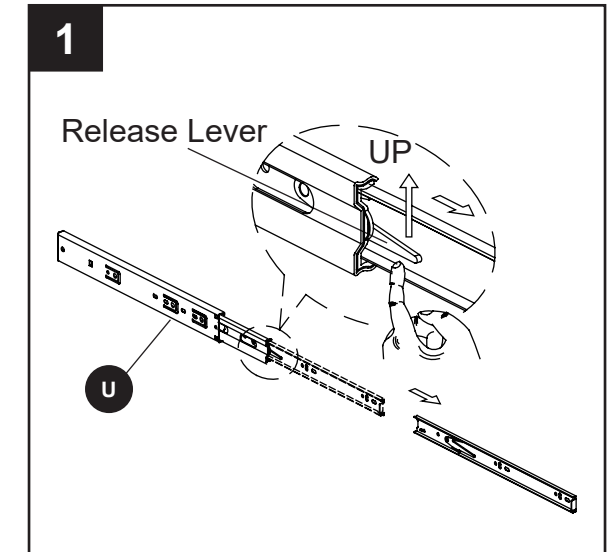
Estimated Assembly Time: 120 minutes

Tools Required for Assembly (not included): Phillips Screwdriver, Power Drill, 3/16 in. Drill Bit, 3/8 in. Drill Bit, 1/2 in. Socket Wrench, Level, Stud Finder, Marking Pencil, Tape Measure, Step Ladder, and Hammer

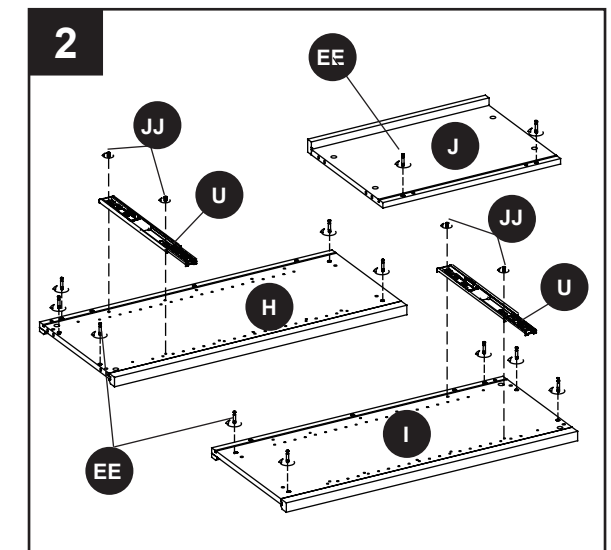
ASSEMBLY INSTRUCTIONS

Base Assembly


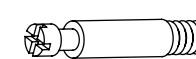


1. Press the release lever on slides (U) and remove the slide runner.



2. Attach slides (U) to base panel left (H) and base panel right (I), securing with M6 x 10 mm screws (JJ). Then, insert medium cam bolts (EE) into base panel left (H), base panel right (I) and base panel top (J).




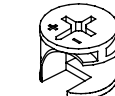

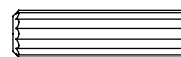
Hardware Used

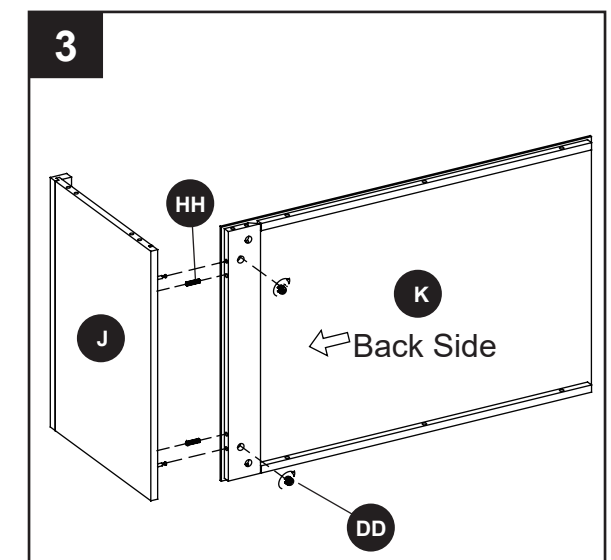
	Medium Cam Bolt		x 12
	M6 x 10 mm Screw		x 4

3. Attach base panel back (K) and base panel top (J) to assembly using large wood dowels (HH) and large cam lock (DD).

Note: Make sure previously inserted medium cam bolts (EE) are completely seated.

Hardware Used

	Large Cam Lock		x 2
	Large Wood Dowel		x 2

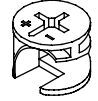
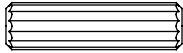


ASSEMBLY INSTRUCTIONS

4. Attach base panel right (I) to assembly using large wood dowels (HH) and large cam locks (DD).

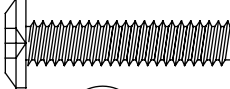
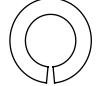

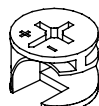

Note: Make sure previously inserted medium cam bolts (EE) are completely seated.

Hardware Used

DD	Large Cam Lock		x 2
HH	Large Wood Dowel		x 3

5. From the back of the assembly, attach base panel right (I) to base panel back (K) using flat washers (CC), lock washers (BB), bolts (AA) and large cam locks (DD). Tighten with Allen wrench (WW).

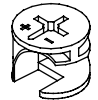
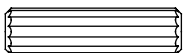
Hardware Used

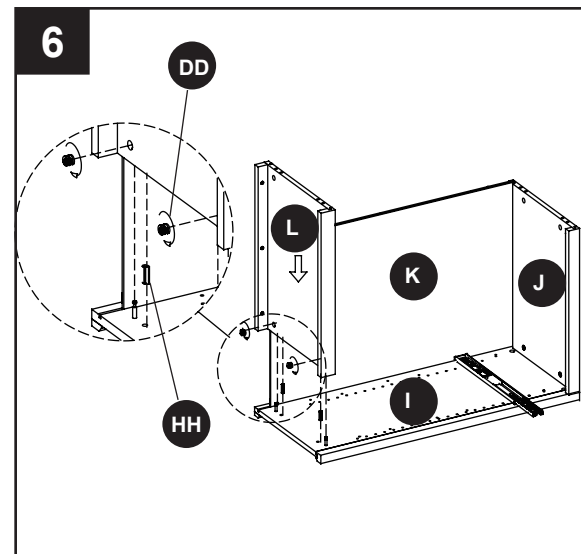
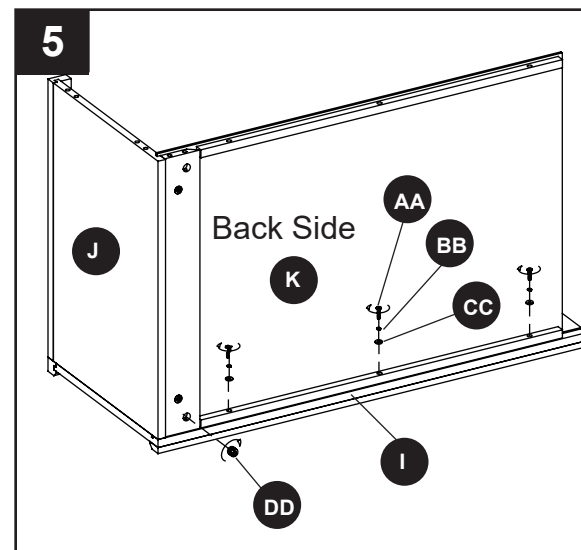
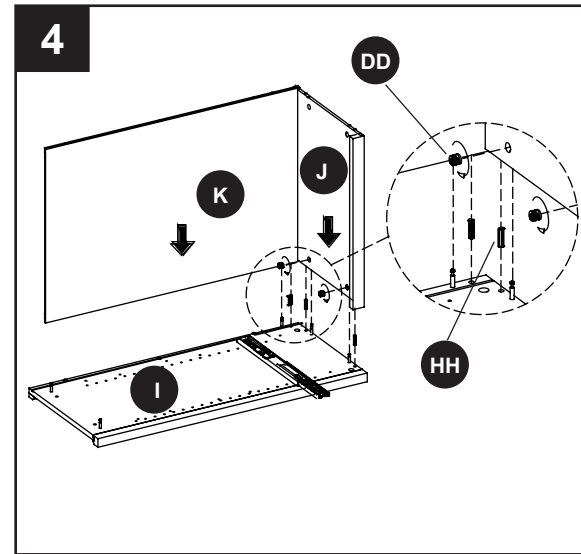
AA	Bolt		x 3
BB	Lock Washer		x 3
CC	Flat Washer		x 3
DD	Large Cam Lock		x 1
WW	Allen Wrench		x 1

6. Fit base panel back (K) into slot of base panel bottom (L), then attach base panel bottom (L) to assembly using large wood dowels (HH) and large cam locks (DD).

Note: Make sure previously inserted medium cam bolts (EE) are completely seated.

Hardware Used

DD	Large Cam Lock		x 2
HH	Large Wood Dowel		x 2

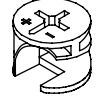
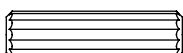


ASSEMBLY INSTRUCTIONS

7. Attach base panel left (H) to assembly using large wood dowels (HH) and large cam locks (DD).

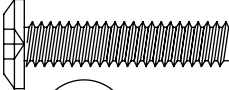

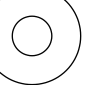


Note: Make sure previously inserted medium cam bolts (EE) are completely seated.

Hardware Used

DD	Large Cam Lock		x 4
HH	Large Wood Dowel		x 5

8. From the back of the assembly, attach base panel left (H) to base panel back (K) using flat washers (CC), lock washers (BB), bolts (AA) and large cam locks (DD). Tighten with Allen wrench (WW).


Hardware Used

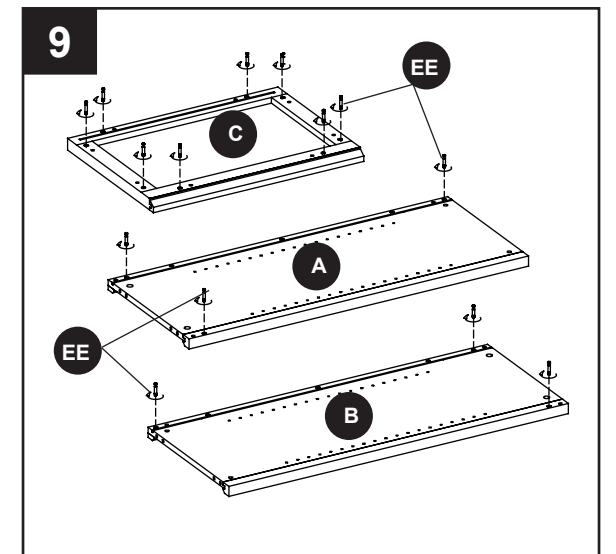
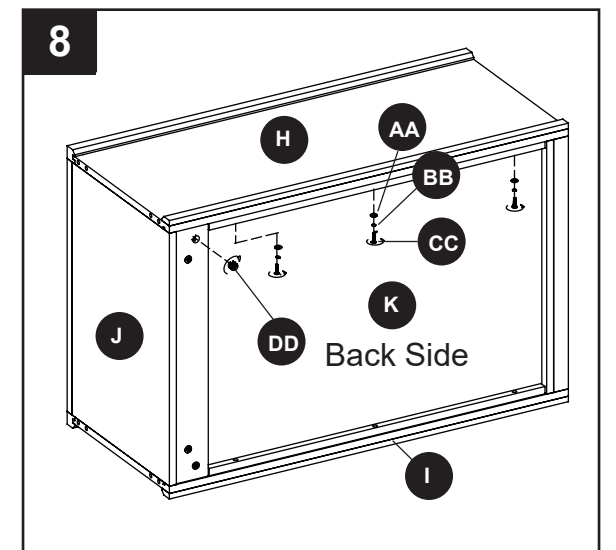
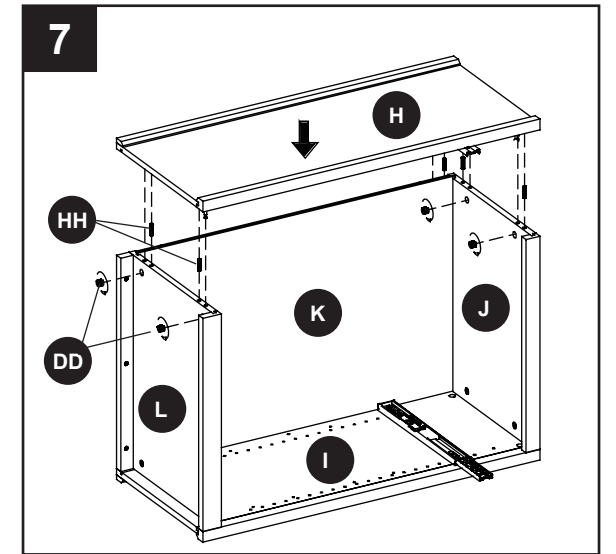
AA	Bolt		x 3
BB	Lock Washer		x 3
CC	Flat Washer		x 3
DD	Large Cam Lock		x 1
WW	Allen Wrench		x 1

Hutch Assembly

9. Insert medium cam bolts (EE) into hutch panel left (A), hutch panel right (B) and hutch panel top (C).

Hardware Used

EE	Medium Cam Bolt		x 14
-----------	-----------------	---	------



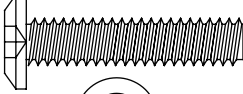

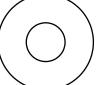



ASSEMBLY INSTRUCTIONS

10. Attach hutch panel left (A) and hutch panel right (B) to hutch panel back (D) and either front curved stretcher (E) or front straight stretcher (F) -- depending on which fits your closet look -- using large wood dowels (HH) and large cam locks (DD). From the back of the assembly, use flat washers (CC), lock washers (BB) and bolts (AA) to secure unit. Tighten with Allen wrench (WW).

Then, secure assembly with large cam locks (DD).


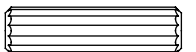
Note: Make sure previously inserted medium cam bolts (EE) are completely seated.

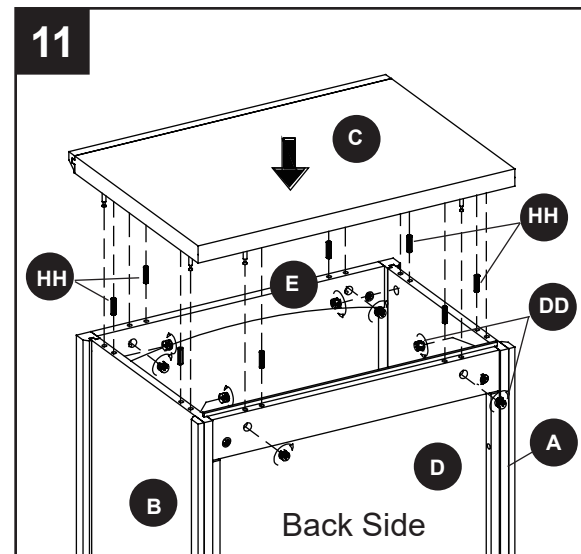
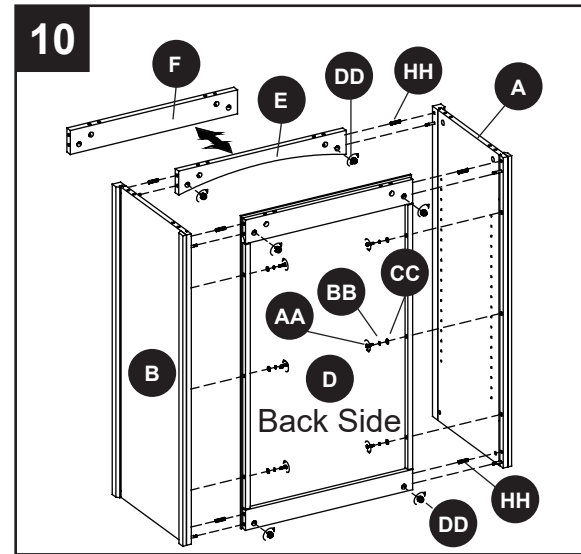
Hardware Used

AA	Bolt		x 6
BB	Lock Washer		x 6
CC	Flat Washer		x 6
DD	Large Cam Lock		x 6
HH	Large Wood Dowel		x 6
WW	Allen Wrench		x 1

11. Insert large wood dowels (HH) and large cam locks (DD) into hutch assembly. Attach hutch panel top (C), tightening large cam locks (DD) to secure assembly.

Hardware Used

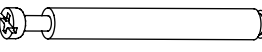
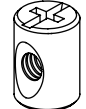
DD	Large Cam Lock		x 8
HH	Large Wood Dowel		x 8



ASSEMBLY INSTRUCTIONS

12. Carefully rest hutch assembly on its side. Insert barrel nuts (VV) and large cam bolts (UU) into the bottom of the hutch assembly.

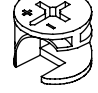
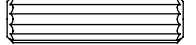
Hardware Used

UU	Large Cam Bolt		x 4
VV	Barrel Nut		x 4

13. Insert large wood dowels (HH) and large cam locks (DD) into the base panel top (J). Then, with the help of another person, attach the hutch assembly to the base assembly, tightening the large cam locks (DD) to secure the unit.

Note: Make sure previously inserted large cam bolts (UU) are completely seated.


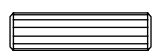
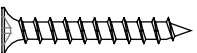
Hardware Used

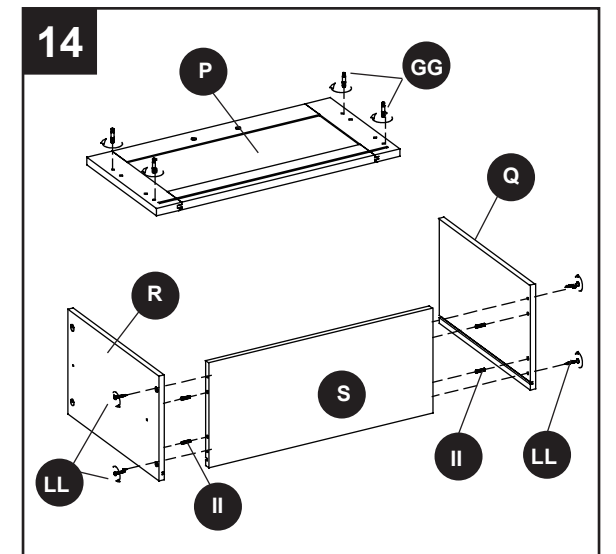
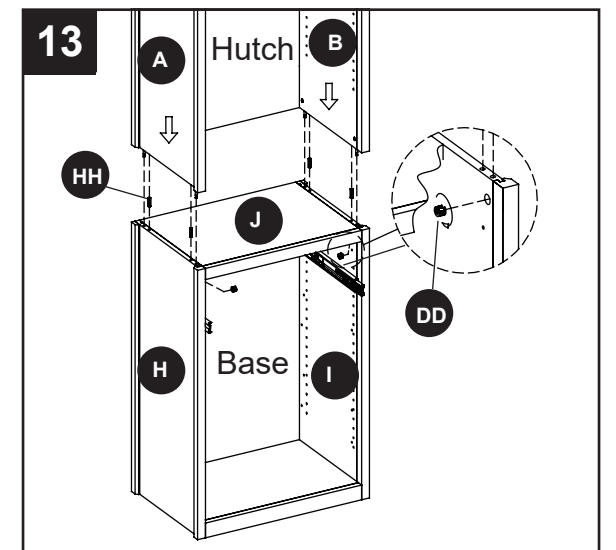
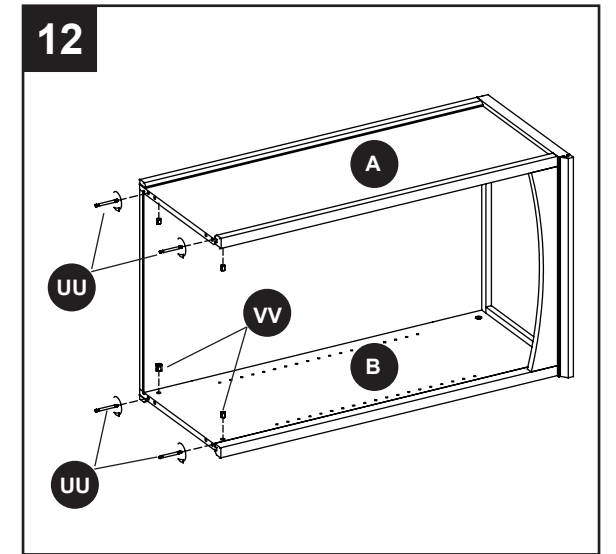
DD	Large Cam Lock		x 4
HH	Large Wood Dowel		x 4

Drawer Assembly

14. Install small cam bolts (GG) into drawer front (P). Set aside. Install small wood dowels (II) into drawer back panel (S), then attach drawer left panel (R) and drawer right panel (Q) to drawer back panel (S) with M4 x 25 mm wood screws (LL).

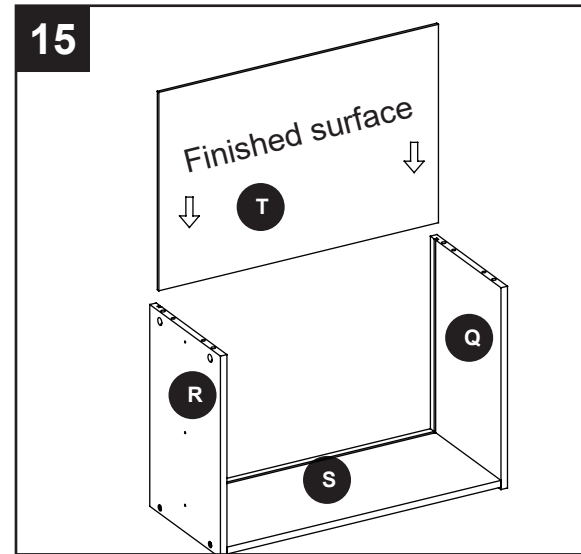
Hardware Used

GG	Small Cam Bolt		x 4
II	Small Wood Dowel		x 4
LL	M4 x 25 mm Wood Screw		x 4

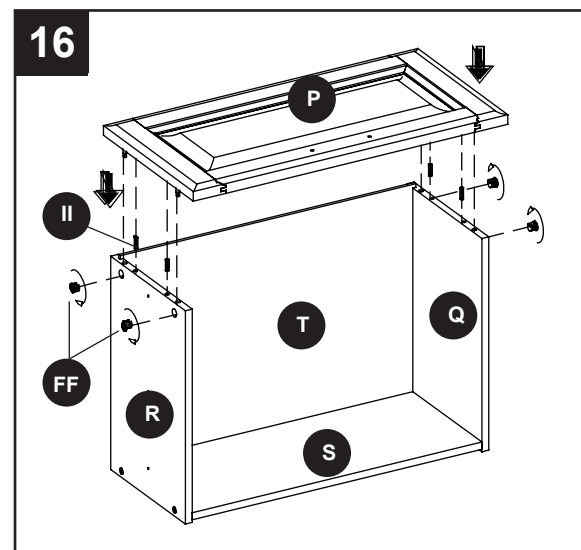


ASSEMBLY INSTRUCTIONS


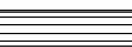
15. Insert drawer bottom panel (T) into drawer left panel (R), drawer right panel (Q) and drawer back panel (S).



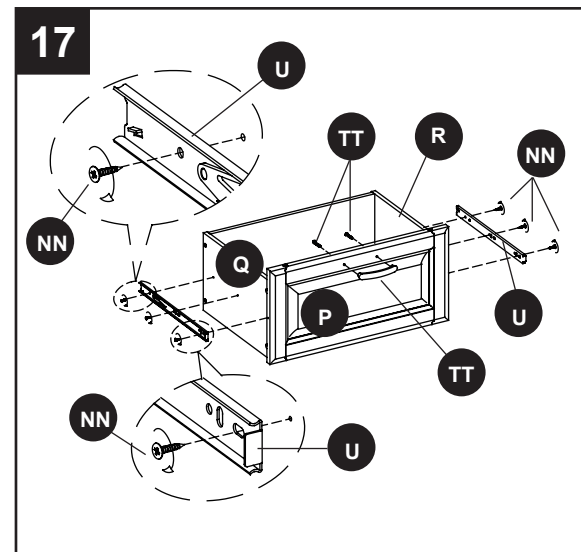
16. Insert small wood dowels (II) into drawer left panel (R) and drawer right panel (Q). Attach drawer front (P), securing with small cam locks (FF).



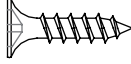

Hardware Used

FF	Small Cam Lock		x 4
II	Small Wood Dowel		x 4

17. Attach the previously removed slide runners (Step 1, page 7) to drawer left panel (Q) and drawer right panel (R) with M3.5 x 12 mm wood screws (NN). Then, remove preassembled bolt from handle (TT). Insert drawer handle (TT) into drawer front (P), securing with previously removed bolt.

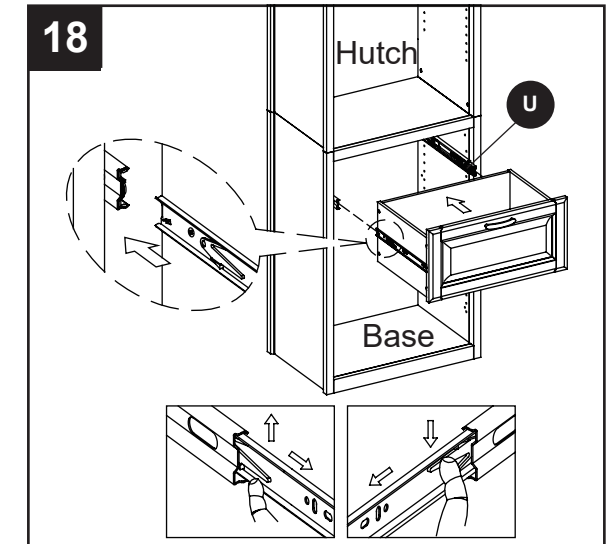


Hardware Used

NN	M3.5 x 12 mm Wood Screw		x 6
TT	Drawer Handle and Bolts		x 1

ASSEMBLY INSTRUCTIONS

18. Insert the drawer into the assembly by pressing down the release levers on the slide runners and sliding the drawer into the tracks of slides (U).

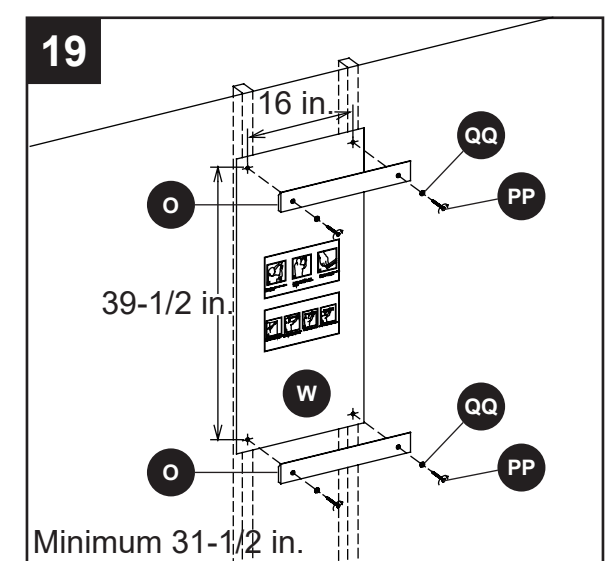


Wall Hanging Installation

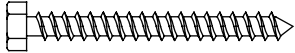

19. Using a stud finder, locate the edges of the wood studs. Find the center line of each stud and draw a vertical reference line on the wall over each one. Position installation template (W) at desired location on wall.

Note: The bottom of the installation template (W) should be no less than 31-1/2 in. from the floor.

Mark mounting holes with a pencil (not included) and discard installation template (W). Drill 3/16 in. pilot holes at marked locations. Then, with the beveled edge facing up, attach the wall hanging cleats (O) with large flat washers (QQ) and lag bolts (PP).

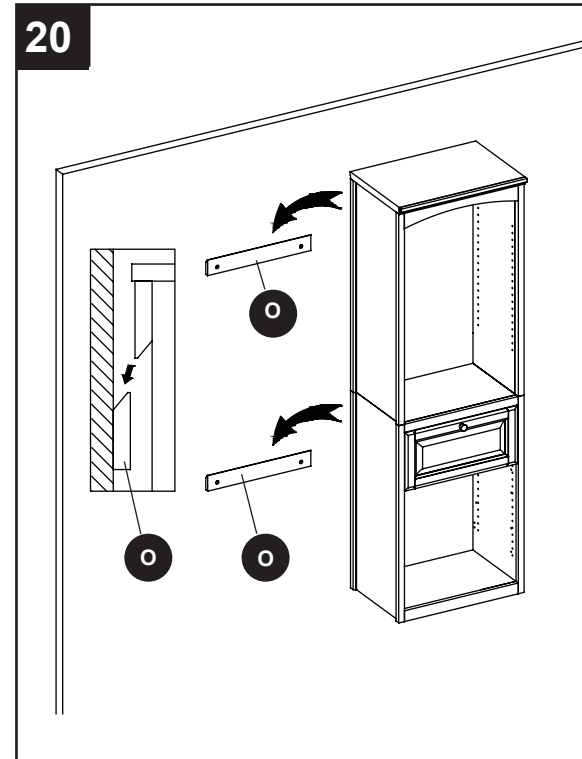


Hardware Used

PP	M8 x 2-1/2 in. Lag Bolt		x 4
QQ	Large Flat Washer		x 4

ASSEMBLY INSTRUCTIONS

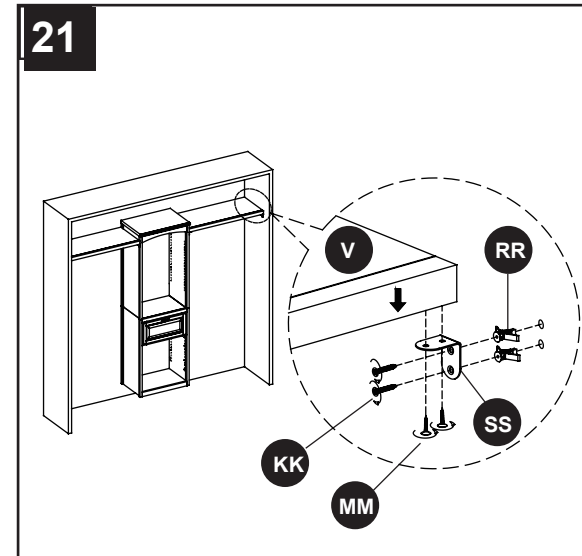
20. With the help from another person, carefully hang the unit onto wall hanging cleat (O).



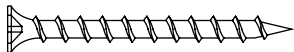
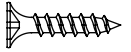
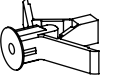

Long Shelf Installation

Note: If long shelf (V) needs cut to fit inside your closet space, cut only one side of the shelf and do not use a hacksaw. It is recommended you hire an insured remodeler for this type of installation.

21. With a pencil, draw a level line at the desired mounting location for long shelves (V). Using L-brackets (SS) as a guide, mark the screw hole locations with a pencil. Drill 3/8 in. diameter pilot holes at least 2-1/2 in. deep at marked locations, then insert wall anchors (RR) into the holes until they are flush with the wall. Attach L-brackets (SS) to the wall using M4 x 38 mm screws (KK) and to the long shelf (V) using M4 x 14 mm wood screws (MM).





Hardware Used

KK	M4 x 38 mm Screw		x 8
MM	M4 x 14 mm Wood Screw		x 8
RR	Wall Anchor		x 8
SS	L-Bracket		x 4

ASSEMBLY INSTRUCTIONS

22. Attach long shelves (V) to hutch panel left (A) and hutch panel right (B) with L-brackets (SS), securing with M4 x 14 mm wood screws (MM).

Hardware Used

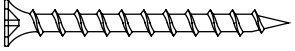

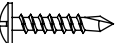
MM	M4 x 14 mm Wood Screw		x 16
SS	L-Bracket		x 4

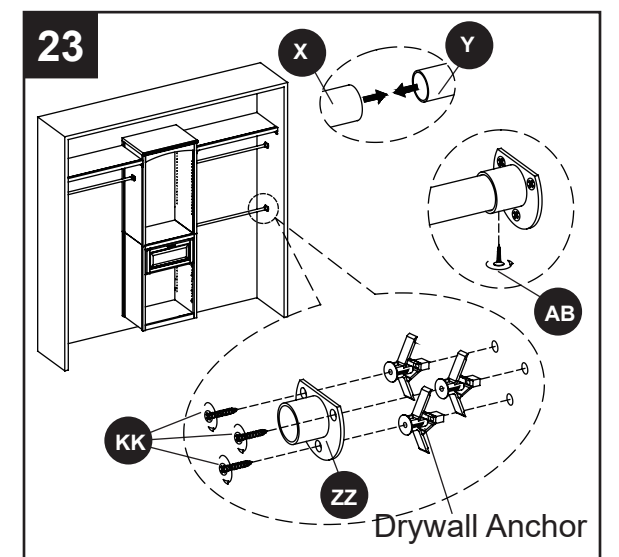
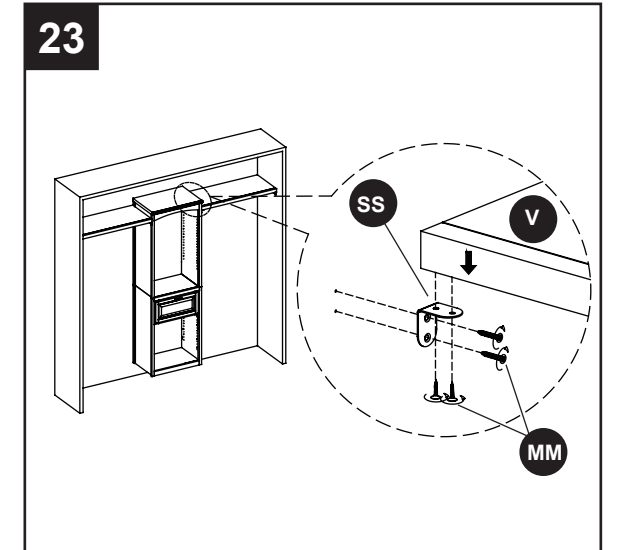
Pole Installation

23. Insert 22 mm metal poles (X) into 25 mm metal poles (Y). Using closed pole holders (ZZ) as a guide, mark screw hole locations with a pencil. Drill 3/8 in. diameter pilot holes at least 2-1/2 in. deep at marked locations, then insert drywall anchors (not included) into the holes. Attach closed pole holders (ZZ) with M4 x 38 mm screws (KK). Insert 25 mm metal poles (Y) into closed pole holders (ZZ), securing with M4 x 15 mm self-tapping screws (AB).

Note: Drywall anchors are not required if installing into a stud.

Hardware Used

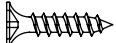
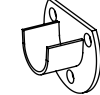
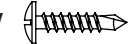
KK	M4 x 38 mm Screw		x 9
ZZ	Closed Pole Holder		x 3
AB	M4 x 15 mm Self-tapping Screw		x 3

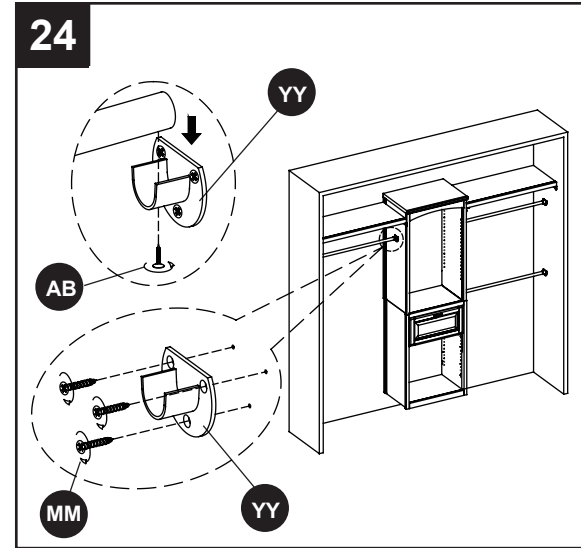


ASSEMBLY INSTRUCTIONS

24. Attach open pole holders (YY) to hutch panel left (A) and hutch panel right (B), securing with M4 x 14 mm wood screws (MM). Insert 22 mm metal poles (X) into open pole holders (YY), securing with M4 x 15 mm self-tapping screws (AB).

Hardware Used

MM	M4 x 14 mm Wood Screw		x 9
YY	Open Pole Holder		x 3
AB	M4 x 15 mm Self-tapping Screw		x 3



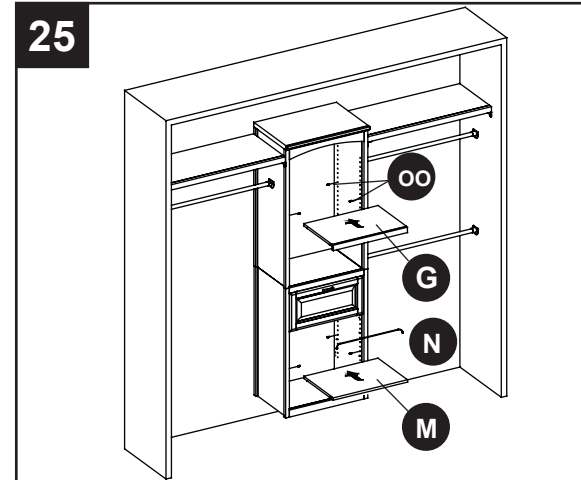
Adjustable Shelf Installation

25. Insert shelf pins (OO) where desired in cabinet, insert Wire stopper (N) in shoe shelf (M), then rest adjustable shelf (G) and shoe shelf (M) on the closet.

Note: Ensure the shelf pins (OO) are level.

Hardware Used

OO	Shelf pin		x 8
-----------	-----------	---	-----



CARE AND MAINTENANCE

- Periodically check to make certain all components are properly positioned, free from damage and firmly connected.
- Use a soft, clean cloth that will not scratch the surface when dusting.
- Never use water to clean the furniture as it may cause damage to the finish.
- Wipe clean using a damp cloth and a mild cleaner. Wipe dry with a clean cloth.
- In the event that the furniture is stained or otherwise damaged during use, it is recommended you call a professional to repair the furniture.
- Keep furniture away from direct sunlight as it may damage the finish.
- It is best to keep the furniture in a climate-controlled environment. Extreme temperature and humidity changes can cause fading, warping, shrinking and splitting of wood.
- Touch-up pen (XX) has been provided (except in Item #5130290) to repair any small nicks or scratches that may occur during assembly or shipping.
- If Item #5130290 is damaged and touch-up is required please apply a quality wood polish to the damaged surface. Polish not included with this item.

TROUBLESHOOTING

PROBLEM	POSSIBLE CAUSE	CORRECTIVE ACTION
One end of long shelf (V) is floating.	The closet space is larger than 8 ft.	1. Buy corresponding shelf bracket and wall bracket (sold separately). 2. Replace long shelf (V) with a longer shelf of a similar finish and style.
Long shelf (V) can not be installed inside the closet.	The closet space is smaller than 8 ft.	1. Shorten one side of the long shelf (V). Hire an insured remodeler for installation. 2. Replace long shelf (V) with a shorter shelf of a similar finish and style.
The shelf is tilting.	The wall brackets and shelf brackets are not installed at the same level.	Use a quality level to ensure the brackets are leveled with each other.
Drawer slide runner can not slide into slide tracks.	Slide runners reversed.	Reinstall the slide runner and ensure the opening of slide runner is pointing backward.
Drawer slides do not go smoothly.	The slide runners do not align with the slide tracks properly.	Take out and repeat drawer installation.
Drawer gaps are not even.	Slide runners are not level with each other.	Use the pilot holes on the tower as a guide to level the slide runners.

TROUBLESHOOTING

PROBLEM	POSSIBLE CAUSE	CORRECTIVE ACTION
One end of metal pole does not rest properly onto the open pole holder (YY).	The opening of open pole holder does not face upward vertically.	Use a quality level to ensure the flat edge of the open pole holder is level while installing.
The pole kit is tilting.	The open and closed pole holders are not installed at the same level.	Use a quality level to ensure the pole holders are level with each other.
Screw went through side panel.	Used M4 x 38 mm wood screws for attaching pole holder onto the side of cabinet.	Use M4 x 14 mm wood screws.
Closet tower tilted.	The wall hanging cleats are not level.	Reinstall the wall hanging cleats and ensure they are level.
Closet tower can not hang on the wall.	The mounting hole locations are not correct.	Reinstall wall hanging cleats; make sure the space between two wall hanging cleats is 39-1/2 in. and the bottom two mounting holes location is no less than 31-1/2 in. from the floor.

WARRANTY

This product (exclusive of shelves) is warranted to the original purchaser. If there is a failure in this unit due to defects in materials or workmanship, the manufacturer will repair or replace this item at our discretion without charge. Warranty is void if product has been assembled incorrectly, misused, abused by overloading, altered in any way or damaged due to accident. This warranty is not transferable and does not cover chipping, flaking, scratches, rust, dents, or other damages to the surfaces of this product. Responsibility of the manufacturer is limited to repair or replacement of this product. The manufacturer is not responsible for consequential, incidental, or other damages or losses resulting from product failure.

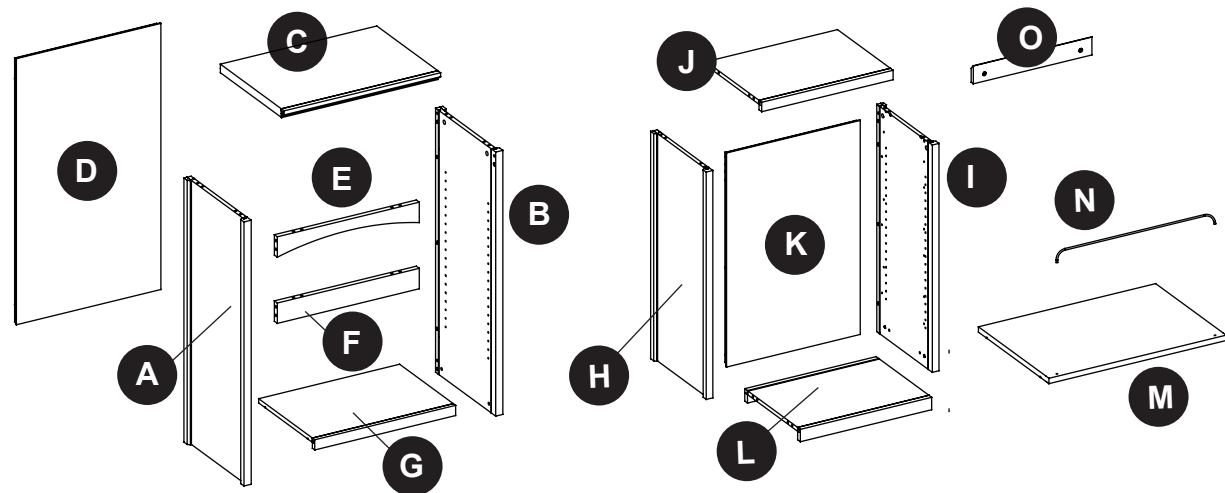
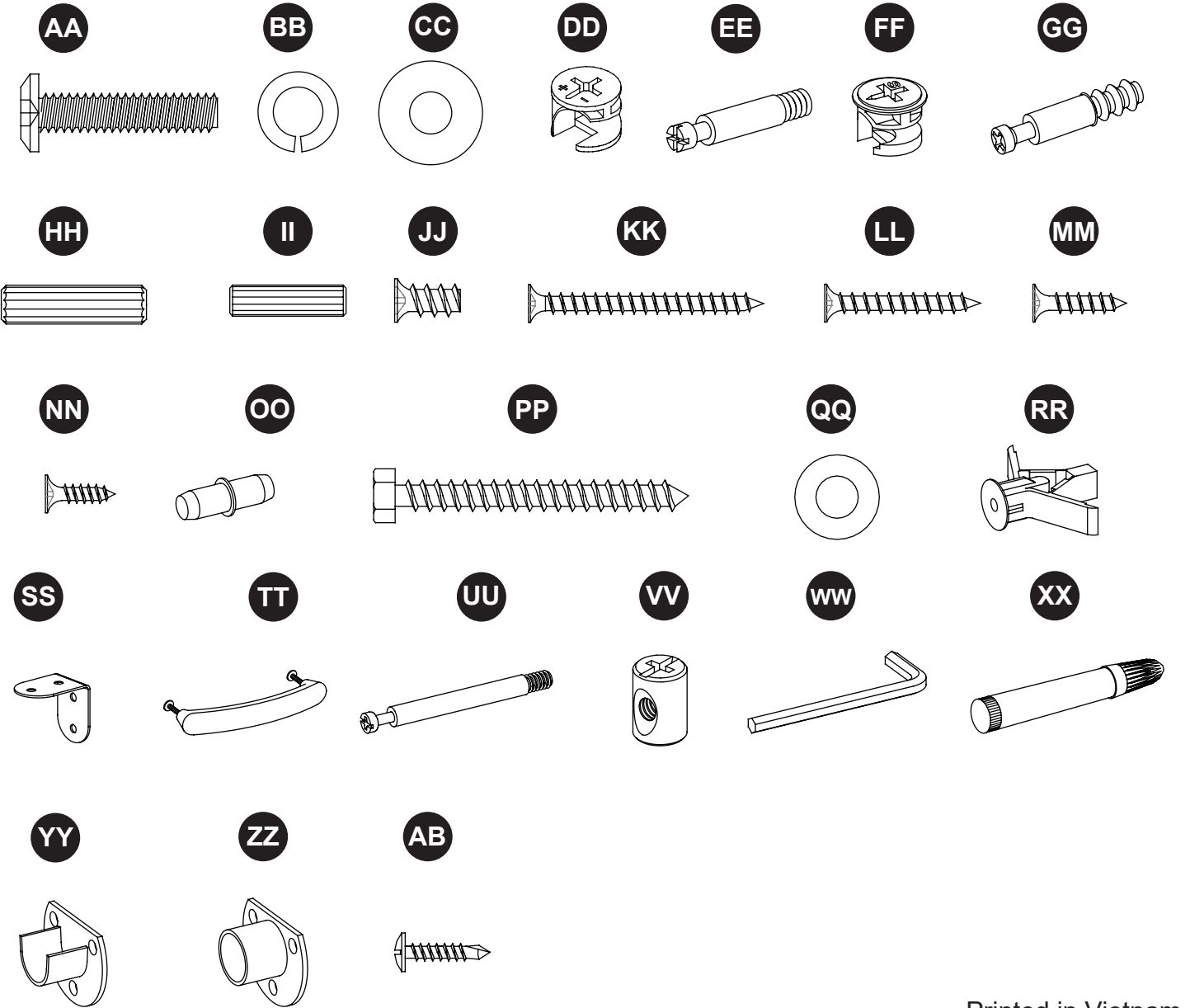
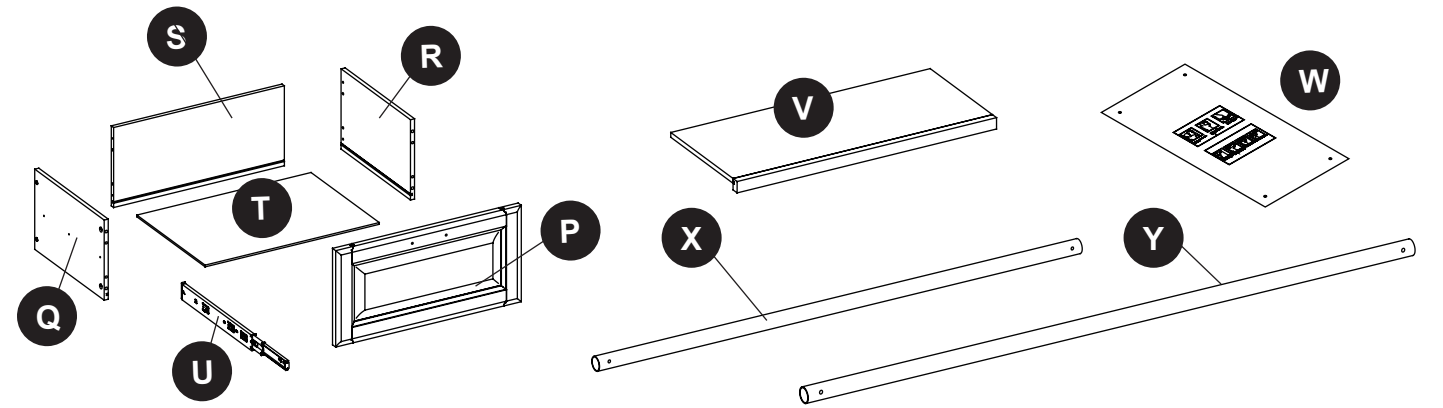
This warranty is in lieu of all other expressed warranties. Some states do not allow the exclusion or limitation of incidental or consequential damages, so the above limitation may not apply to you. This warranty gives you specific legal rights and you may have other rights which vary from state to state.

REPLACEMENT PARTS LIST

For replacement parts, call our customer service department at 1-866-439-9800, 8 a.m. - 8 p.m., EST, Monday - Friday.

PART	DESCRIPTION	PART #
A	Hutch Panel Left	00LWSCSC/LWSCSBW-1
B	Hutch Panel Right	00LWSCSC/LWSCSBW-2
C	Hutch Panel Top	00LWSCSC/LWSCSBW-3
D	Hutch Panel Back	00LWSCSC/LWSCSBW-4
E	Front Curved Stretcher	00LWSCSC/LWSCSBW-5
F	Front Straight Stretcher	00LWSCSC/LWSCSBW-6
G	Adjustable Shelf	00LWSCSC/LWSCSBW-7
H	Base Panel Left	00LWSCSC/LWSCSBW-8
I	Base Panel Right	00LWSCSC/LWSCSBW-9
J	Base Panel Top	00LWSCSC/LWSCSBW-10
K	Base Panel Back	00LWSCSC/LWSCSBW-11
L	Base Panel Bottom	00LWSCSC/LWSCSBW-12
M	Shoe shelf	00LWSCSC/LWSCSBW-13
N	Wire stopper	00LWSCSC/LWSCSBW-14
O	Wall Hanging Cleat	00LWSCSC/LWSCSBW-15
P	Drawer Front	00LWSCSC/LWSCSBW-16
Q	Drawer Panel Left	00LWSCSC/LWSCSBW-17
R	Drawer Panel Right	00LWSCSC/LWSCSBW-18
S	Drawer Back	00LWSCSC/LWSCSBW-19
T	Drawer Bottom	00LWSCSC/LWSCSBW-20
U	Slide	00LWSCSC/LWSCSBW-21
V	Long Shelf	00LWSCSC/LWSCSBW-22
W	Installation Template	00LWSCSC/LWSCSBW-23

PART	DESCRIPTION	PART #
X	22 mm Metal Pole	00LWSCSC/LWSCSBW-24
Y	25 mm Metal Pole	00LWSCSC/LWSCSBW-25
AA	Bolt	00LWSCSC/LWSCSBW-26
BB	Lock Washer	00LWSCSC/LWSCSBW-27
CC	Flat Washer	00LWSCSC/LWSCSBW-28
DD	Large Cam Lock	00LWSCSC/LWSCSBW-29
EE	Medium Cam Bolt	00LWSCSC/LWSCSBW-30
FF	Small Cam Lock	00LWSCSC/LWSCSBW-31
GG	Small Cam Bolt	00LWSCSC/LWSCSBW-32
HH	Large Wood Dowel	00LWSCSC/LWSCSBW-33
II	Small Wood Dowel	00LWSCSC/LWSCSBW-34
JJ	M6 x 10 mm Screw	00LWSCSC/LWSCSBW-35
KK	M4 x 38 mm Wood Screw	00LWSCSC/LWSCSBW-36
LL	M4 x 25 mm Wood Screw	00LWSCSC/LWSCSBW-37
MM	M4 x 14 mm Wood Screw	00LWSCSC/LWSCSBW-38
NN	M3.5 x 12 mm Wood Screw	00LWSCSC/LWSCSBW-39
OO	Shelf Pin	00LWSCSC/LWSCSBW-40
PP	M8 x 2-1/2 in. Lag Bolt	00LWSCSC/LWSCSBW-41
QQ	Large Flat Washer	00LWSCSC/LWSCSBW-42
RR	Wall Anchor	00LWSCSC/LWSCSBW-43
SS	L - Bracket	00LWSCSC/LWSCSBW-44
TT	Drawer Handle	00LWSCSC/LWSCSBW-45
UU	Large Cam Bolt	00LWSCSC/LWSCSBW-46
VV	Barrel Nut	00LWSCSC/LWSCSBW-47
WW	M4 Allen Wrench	00LWSCSC/LWSCSBW-48
XX	Touch-up Pen	00LWSCSC/LWSCSBW-49
YY	Open Pole Holder	00LWSCSC/LWSCSBW-50
ZZ	Closed Pole Holder	00LWSCSC/LWSCSBW-51
AB	M4 x 15 mm Self-tapping Screw	00LWSCSC/LWSCSBW-52
	Complete Hardware	00LWSCSC/LWSCSBW-53



Printed in Vietnam

allen + roth® is a registered trademark of LF, LLC. All Rights Reserved.

Date: 2023-08-25 Rev. 0001-A