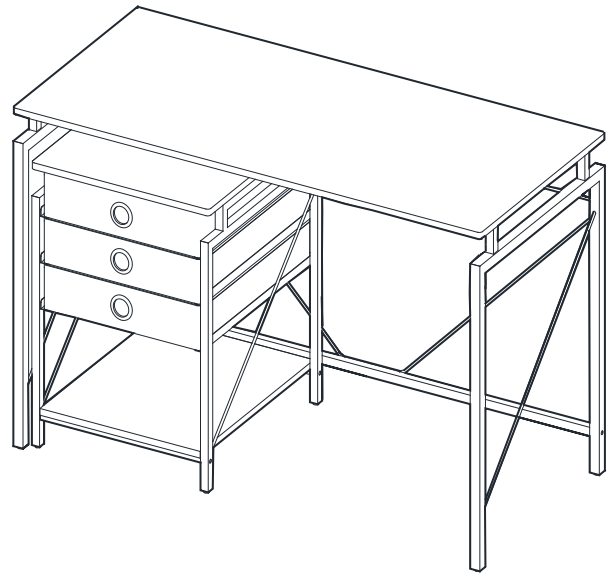


brenton
STUDIO®



achiever
desk set

bureau avec classeur

escritorio con
archivador

supports up to
supporter jusqu'à
soporta hasta

200 lb

Assembly instructions and
warranty information

Instructions pour l'assemblage et
information sur la garantie

Instrucciones para el ensamblaje e
información sobre la garantía

version 1019
9242162

Date Manufactured / Date de fabrication / Fecha de manufactura: _____

Lot # / Nombre de sort / Número de lote: _____

Brenton Studio is a registered trademark of OMX, Inc.
© 2019 Office Depot, Inc. All Rights Reserved.



Warning

Please use your furniture correctly and safely. Improper use can cause safety hazards, or damage to your furniture or household items. *Carefully read the following chart.*

Look out for:	What can happen:	How to avoid:
Children climbing on furniture. A child may try to reach a toy or other object by climbing on furniture. Children will play and be active near a TV.	Risk of injury or death. A child climbing on a piece of furniture or playing with a TV can cause it to tip over.	Never allow children to climb on or play with furniture. Do not place toys, food, etc. on the top shelves and/or drawers. Children may try to climb to reach them out of curiosity.
Overloaded drawers and/or shelves. Improper loading can cause furniture to be top-heavy.	Risk of injury or damage to furniture and/or equipment. Overloaded drawers and/or shelves can break.	Refer to your assembly manual for maximum weight capacities. Load drawers and shelves from the bottom to the top. Place heavier items in lower drawers and/or shelves. Unload drawers and shelves from the top to the bottom before moving the furniture.
Placing a TV on furniture that is not designed to support a TV.	Risk of injury or death. TVs can be very heavy. The weight and location of the picture tube tends to make them unbalanced and prone to tipping forward.	This product is not designed to support a TV.
Improperly moving furniture.	Risk of injury or damage to furniture and/or equipment. Furniture can tip over if not moved carefully over obstacles or across a changing floor surface (ex: from a wood floor to carpeted floor).	Do not push furniture, especially on carpeted floor. Have someone help you lift the item and place it in its new location. Remove any glass tops, shelves or doors before moving.

Thank you for purchasing this product. We trust that you will be completely satisfied with your product for years to come. This product is backed by a 1 year limited warranty and has been crafted with today's lifestyles in mind.

Call Us First!

DO NOT RETURN TO STORE.

For immediate help with assembly or product information call our toll-free number:
1-800-949-9974 Mon-Fri 8am to 8pm EST.

Our staff is ready to provide assistance.

Damaged or missing parts ship from our facility in 1-2 business days.

The maximum recommended weight allowance is 200 lbs (90.7 kg) for desk top surface.
The maximum recommended weight allowance is 80 lbs (36.3 kg) for file cabinet top surface.
The maximum recommended weight allowance is 10 lbs (4.53 kg) for fabric bin. Record date of purchase below and save this booklet for future reference. Call for parts & service 1-800-949-9974. For customer support, Vendor Sticker can be found under the top panel toward the front end.

NOTES:

- Please read the instruction sheets completely before assembly.
- Remove all parts from carton and ensure all parts are included prior to assembly.
- Assemble the product on the carton or carpet to prevent scratching the product.
- Examine all packaging material and remove staples before discarding carton.
- Be careful not to cross-thread screws.
- Do not use power tools.

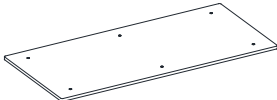
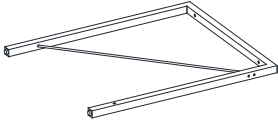

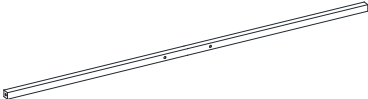


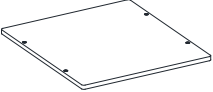

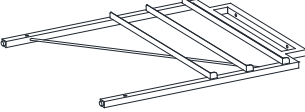
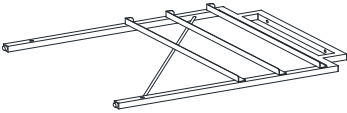

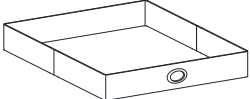
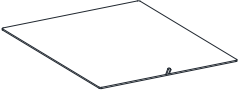
Customer Service 1-800-949-9974

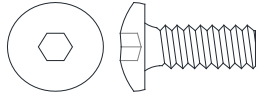
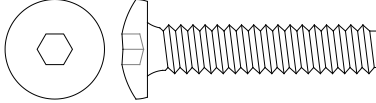
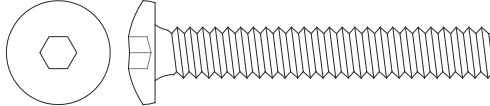
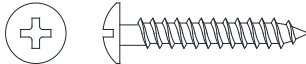

Date Purchased: _____

PARTS LIST

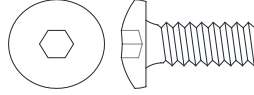
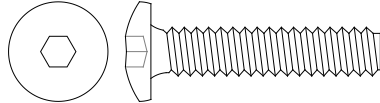
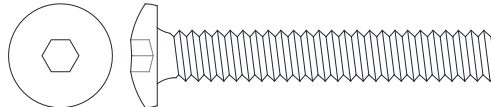
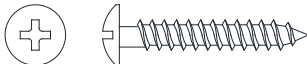
LISTE DES PIÈCES

LISTA DE PIEZAS

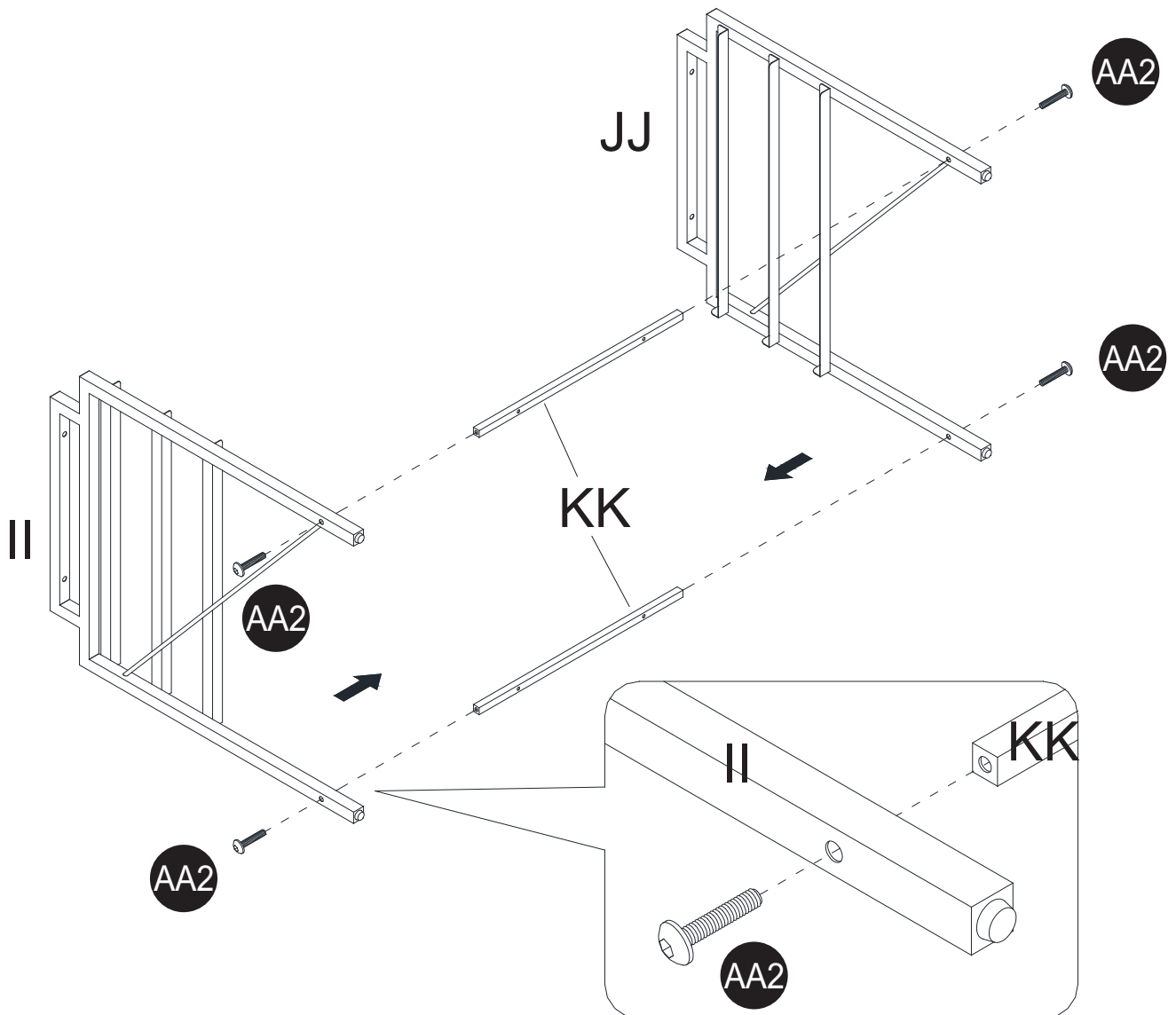
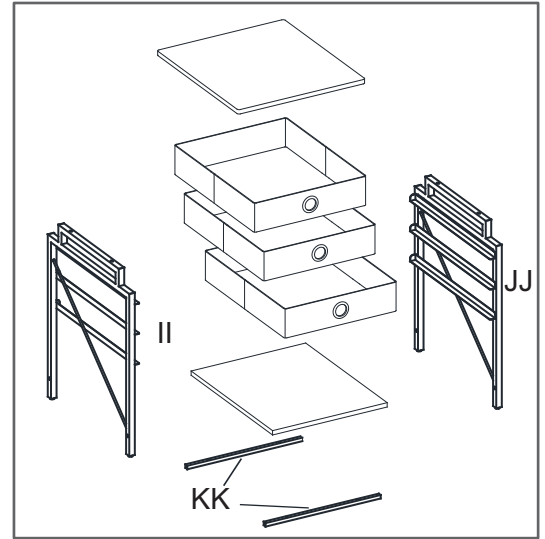
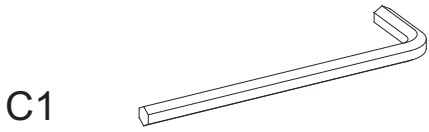
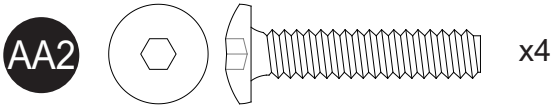
Name / Nom / Nombre		Part / Pièce / Pieza	Qty. Qté Cantidad	Spare Épargner Sobrante
AA	Desk Top Dessus de bureau Tapa de escritorio		1	
BB	Desk Leg Pied de bureau Pata de escritorio		2	
CC	Desk Upper Stretcher Entretoise supérieure de bureau Soporte superior de escritorio		2	
DD	Desk Bottom Stretcher Entretoise inférieure de bureau Soporte inferior de escritorio		1	
E	Desk Long Metal Bar Barre de métal longue de bureau Barra metal largo de escritorio		1	
F	Desk Short Metal Bar Barre de métal courte de bureau Barra metal corto de escritorio		2	
GG	File Cabinet Top Panel Panneau supérieur de caisson de classement Tapa de archivador		1	
HH	File Cabinet Bottom Panel Panneau inférieur de caisson de classement Tapa de archivador		1	
II	File Cabinet Left Leg Pied gauche de caisson de classement Pata izquierda de archivador		1	
JJ	File Cabinet Right Leg Pied droite de caisson de classement Pata derecha de archivador		1	
KK	File Cabinet Crossbar Entretoise de caisson de classement Barra soporte de archivador		2	
L	Fabric Bin Bac en tissu Casillero de tela		3	
M	Bin Flooring Fond de de bac Piso de casillero		3	

PARTS LIST		LISTE DES PIÈCES	LISTA DE PIEZAS	Qty. Qté Cantidad	Spare Épargner Sobrante
Name / Nom / Nombre		Part / Pièce / Pieza			
AA1	5/8" Bolt Boulon de 15 mm Tornillo de 15 mm			6	1
AA2	1 3/16" Bolt Boulon de 30 mm Tornillo de 30 mm			14	1
AA3	1 3/4" Bolt Boulon de 45 mm Tornillo de 45 mm			6	1
A4	1" Screw Vis 25 mm Tornillo de 25 mm			4	1
C1	Hex Wrench Clé hexagonale Llave hexagonal			1	

SIZE COMPARISON CHART
TABLEAU DE COMPARAISON DE TAILLES
TABLA DE COMPARACIÓN DE TAMAÑOS

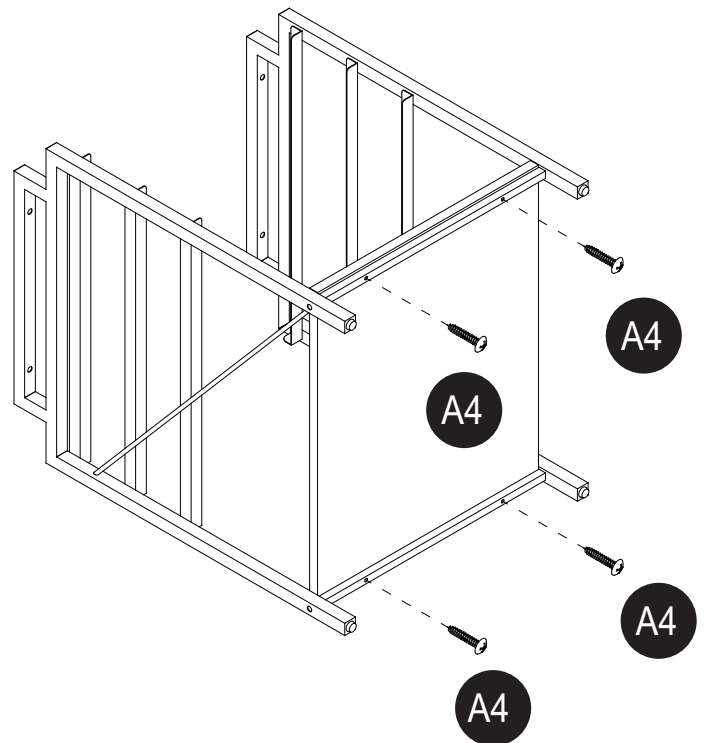
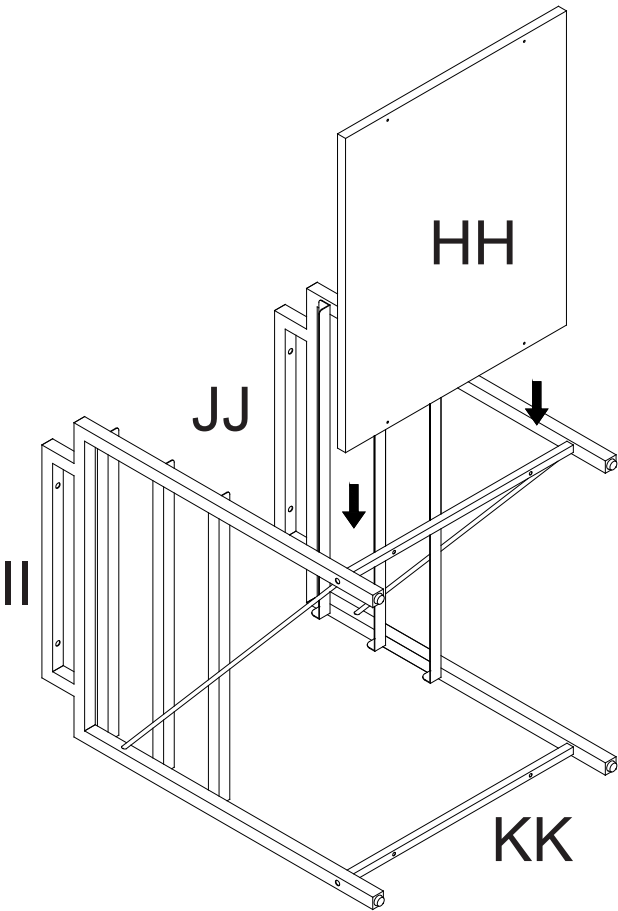
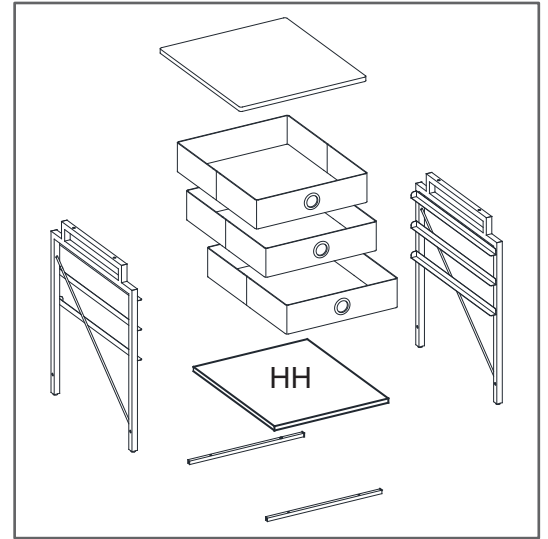
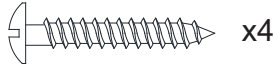
AA1	5/8" Bolt Boulon de 15 mm Tornillo de 15 mm	
AA2	1 3/16" Bolt Boulon de 30 mm Tornillo de 30 mm	
AA3	1 3/4" Bolt Boulon de 45 mm Tornillo de 45 mm	
A4	1" Screw Vis 25 mm Tornillo de 25 mm	

1

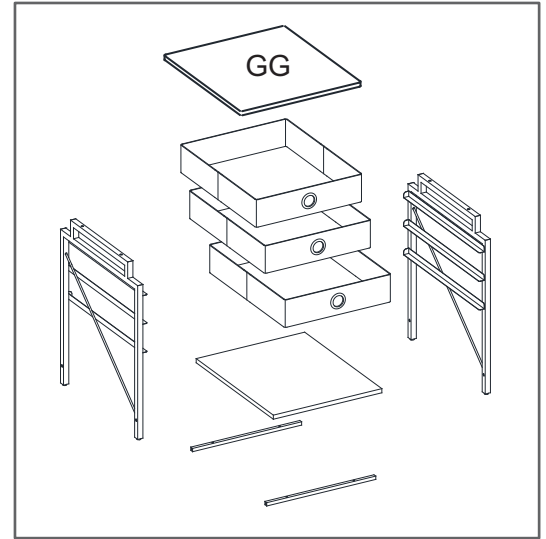
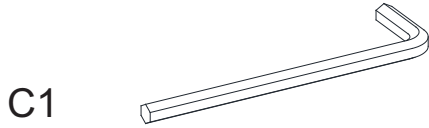
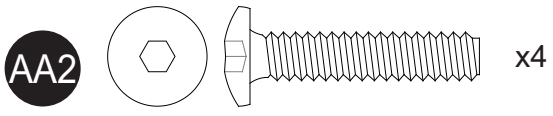


2

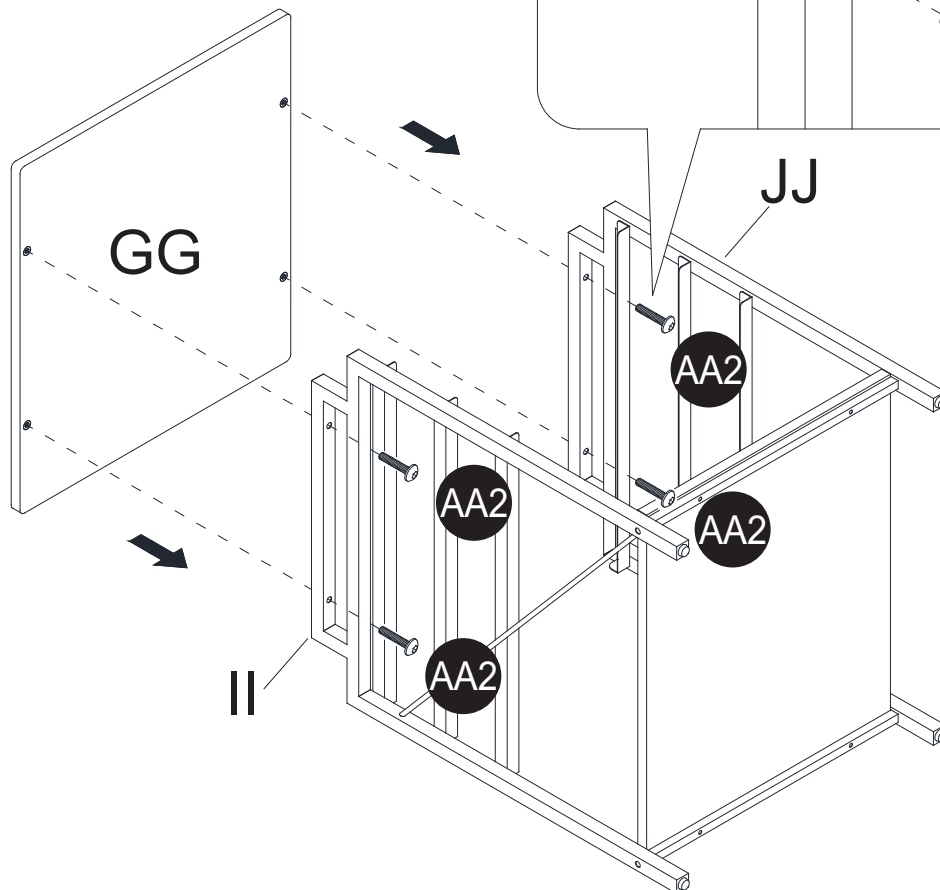
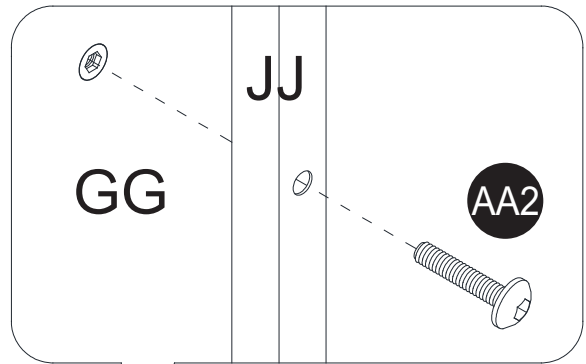
A4



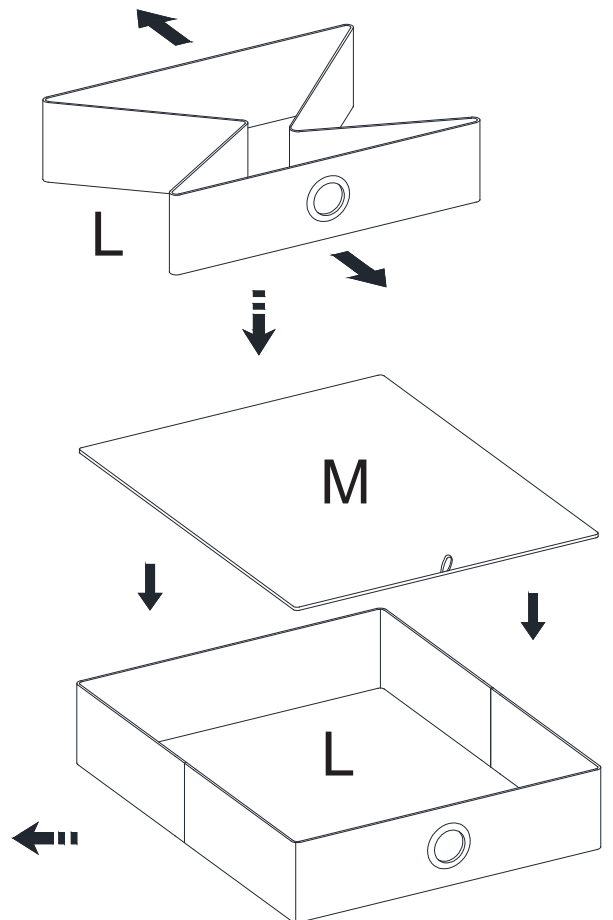
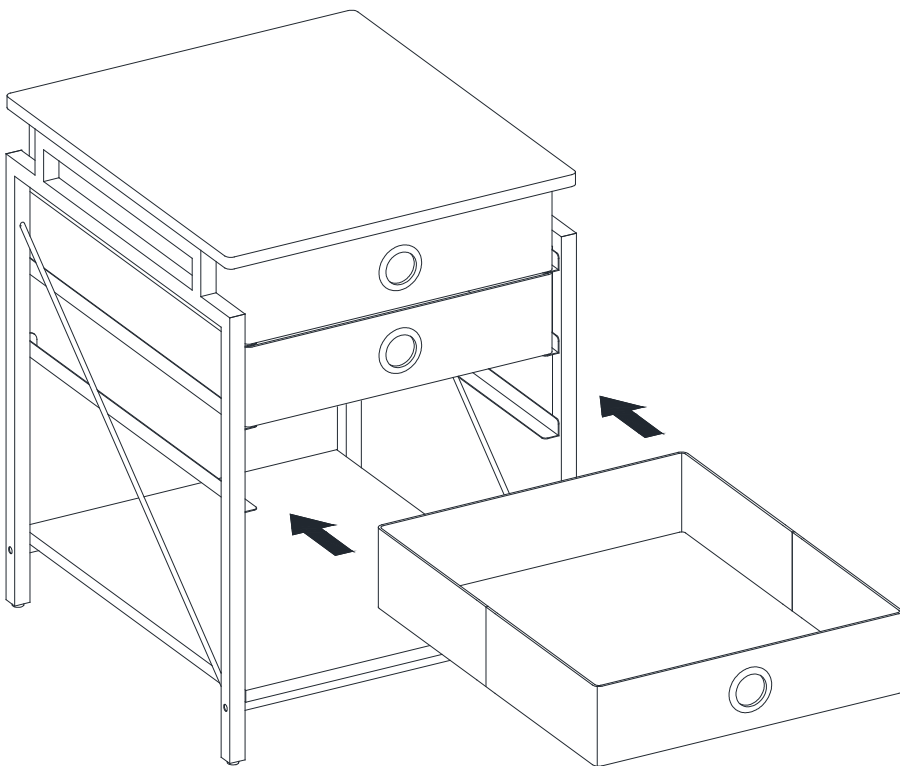
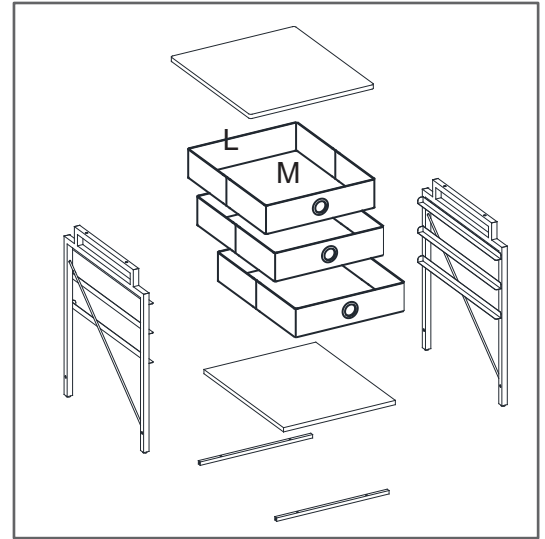
3



DO NOT overtighten the bolts.
NE PAS serrer à fond les boulons.
NO apriete demasiado los tornillos.

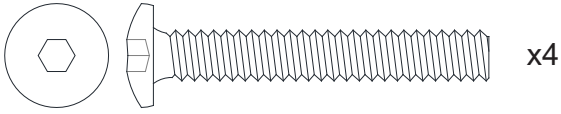


4

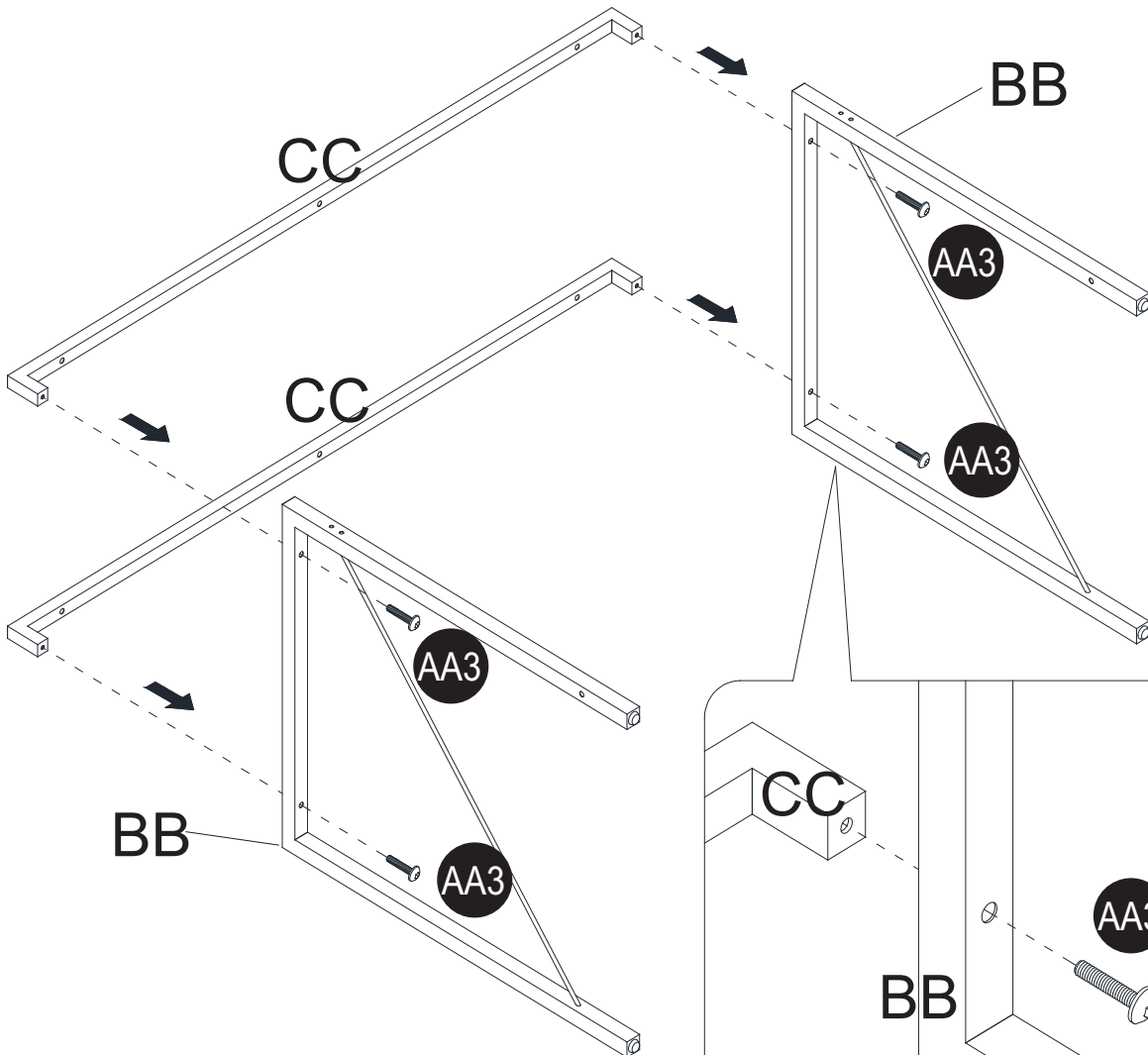
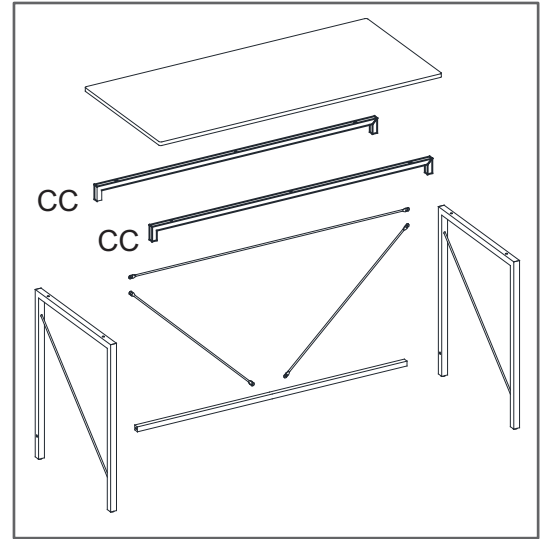
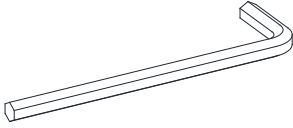


5

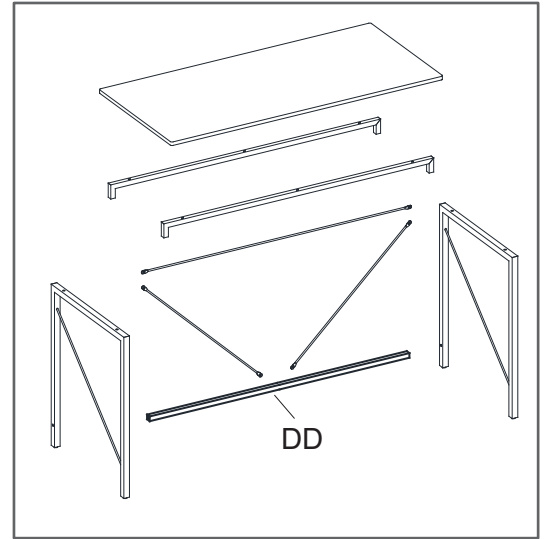
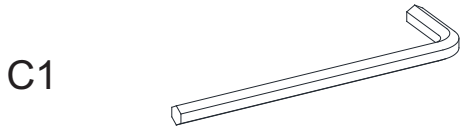
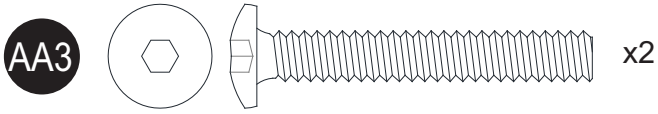
AA3



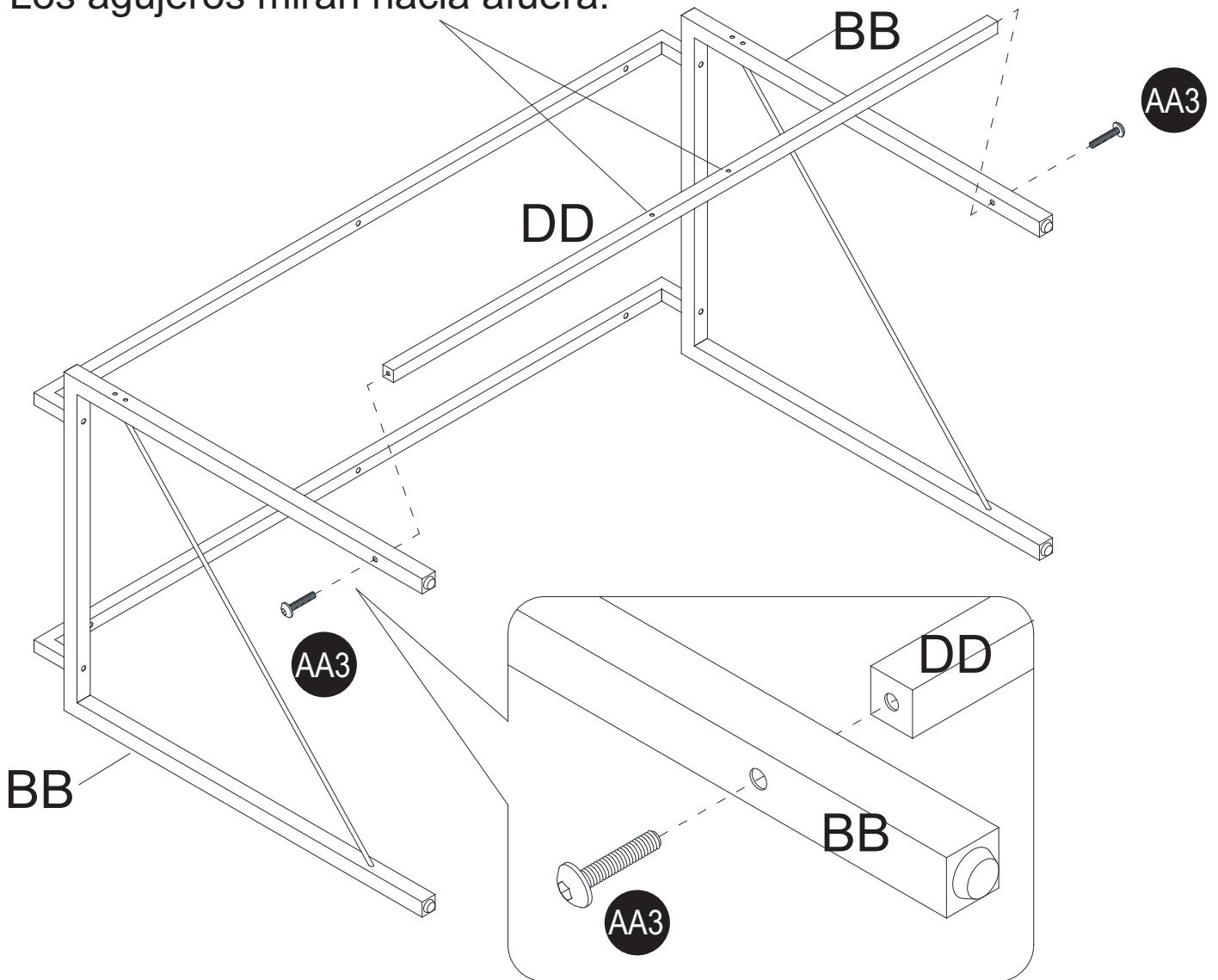
C1



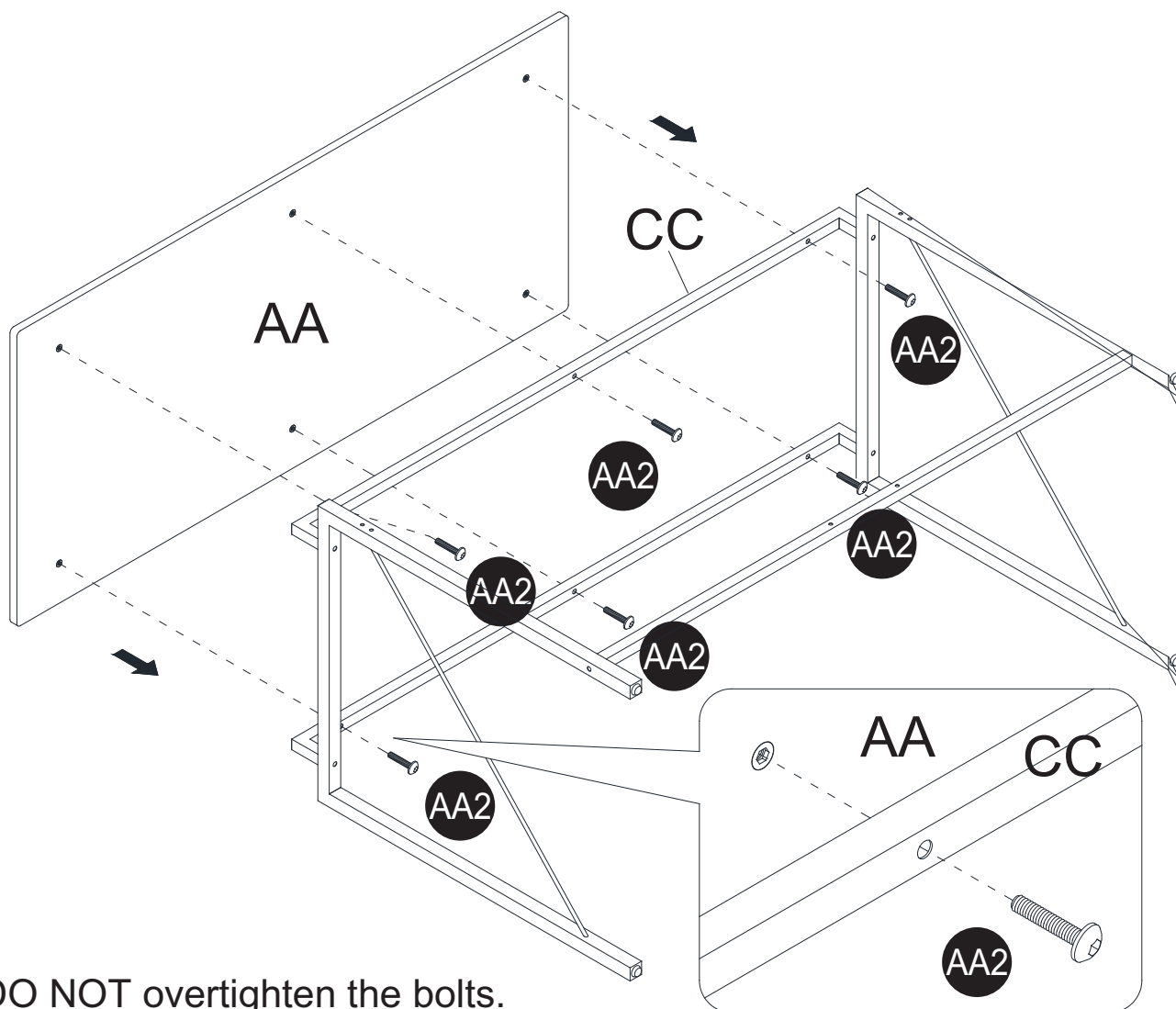
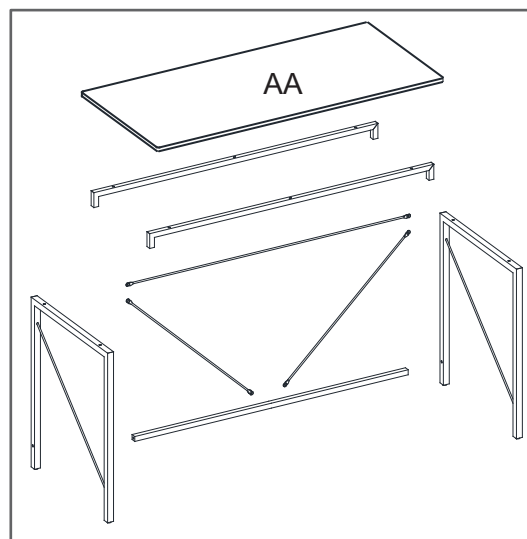
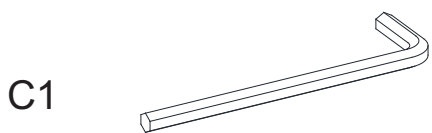
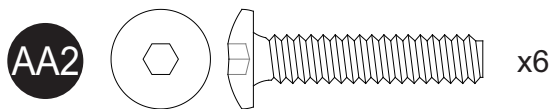
6



The holes face outward.
Les trous face à l'extérieur.
Los agujeros miran hacia afuera.

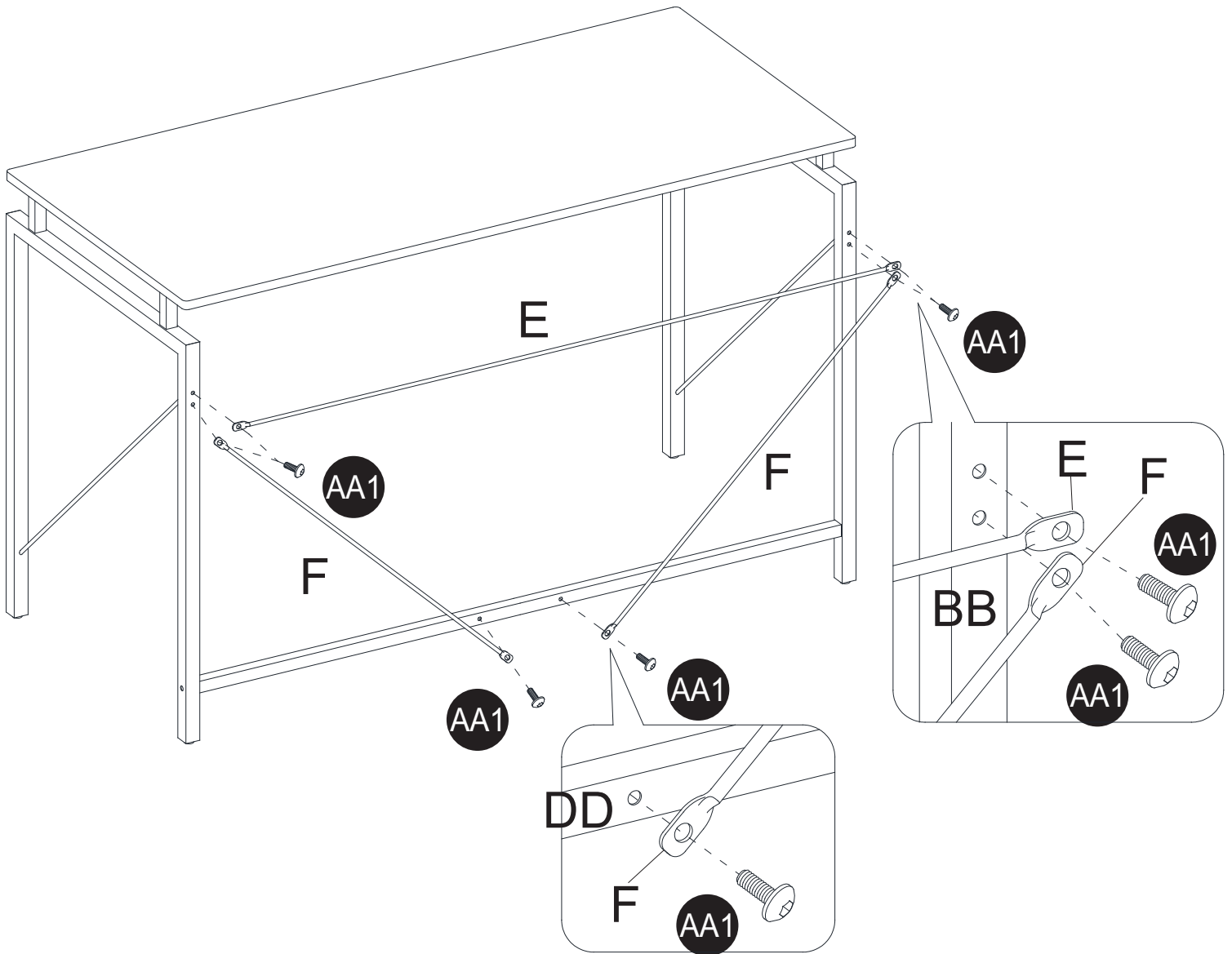
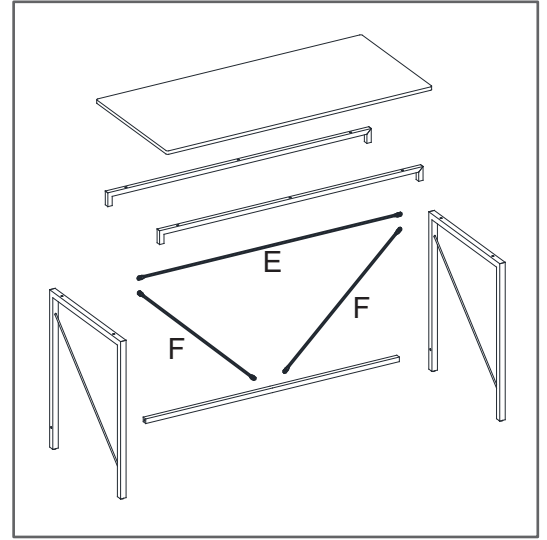
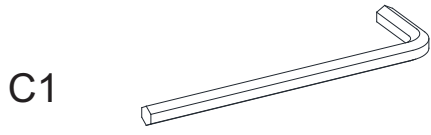


7



DO NOT overtighten the bolts.
NE PAS serrer à fond les boulons.
NO apriete demasiado los tornillos.

8



Office Depot, Inc. Limited One Year Product Warranty

This limited warranty covers the original purchase of new product used for normal commercial, personal or household use. Office Depot, Inc. (ODI) warrants its products will be free from defects in materials and workmanship (normal wear and tear excepted), for one (1) year from the date of purchase, except as provided below. ODI, at its option, will replace with a comparable product, free of charge, any product purchased from it that fails under normal use as a result of such defect. This warranty does not apply to damage caused by fire, accident, negligence, misuse, use other than as stated in product instructions, improper cleaning or other circumstances not directly attributable to defects in materials and workmanship.

Natural variations occurring in wood or other materials will not be considered defects, and ODI does not warrant the color-fastness or matching of colors, grains, or textures of such materials. This warranty does not apply to: modifications of the product, attachments to the product not approved by ODI, and products that were not installed, used, or maintained in accordance with product instructions and warnings.

This warranty has the following exceptions: Fabrics, foam, veneer finishes and other covering materials are warranted for six months from date of purchase.

Proof of purchase is required in the form of a receipt (copy or original) to validate warranty. Warranty claims without the receipt may be rejected.

If Office Depot, Inc. chooses to provide a refund for such product, it will be fulfilled in the form of an Office Depot Merchandise card. Claims fulfilled in this manner take approximately 30 days to process.

ODI PROVIDES THIS LIMITED WARRANTY IN LIEU OF ALL OTHER WARRANTIES EITHER EXPRESSED OR IMPLIED. EXPRESSLY EXCLUDED ARE ALL WARRANTIES OF FITNESS FOR A PARTICULAR PURPOSE OR MERCHANTABILITY. OFFICE DEPOT'S SOLE OBLIGATION AND THE USER'S EXCLUSIVE REMEDY UNDER THIS WARRANTY SHALL BE LIMITED TO THE REPAIR, REFUND (IN THE FORM OF AN OFFICE DEPOT MERCHANDISE CARD) OR REPLACEMENT AT ODI'S SOLE DISCRETION AND COST, OF PRODUCT OR COMPONENTS.

IN NO EVENT SHALL ODI, ITS AFFILIATES, SUBSIDIARIES OR PARENT COMPANIES BE RESPONSIBLE FOR CONSEQUENTIAL, SPECIAL, OR INCIDENTAL DAMAGES ARISING OUT OF A CLAIM OF DEFECTIVE PRODUCT EVEN IF ODI HAS BEEN ADVISED OF THE POSSIBILITY OF SUCH DAMAGES.

SOME STATES OR PROVINCES DO NOT ALLOW THE EXCLUSION OF IMPLIED WARRANTIES OR LIMITATIONS ON HOW LONG AN IMPLIED WARRANTY LASTS OR THE EXCLUSION OR LIMITATION OF INCIDENTAL OR CONSEQUENTIAL DAMAGES SO THE ABOVE LIMITATIONS MAY NOT APPLY TO YOU. THIS WARRANTY GIVES YOU SPECIFIC LEGAL RIGHTS, AND YOU MAY ALSO HAVE OTHER RIGHTS WHICH MAY VARY BY STATE OR PROVINCE.

THIS WARRANTY APPLIES ONLY TO THE U.S. AND CANADA.

Service Instructions

Please call: 1-800-949-9974 for warranty service.