

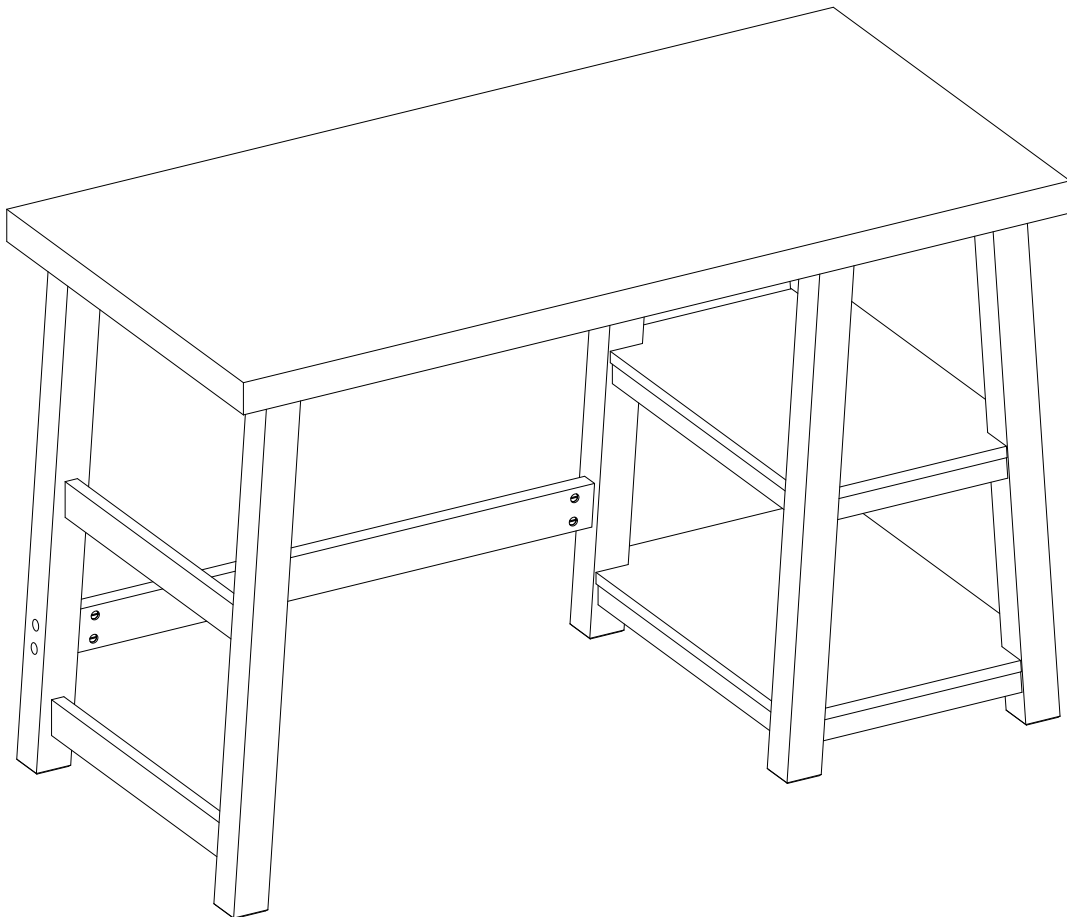


WHALEN®

LOT NUMBER: _____
DATE PURCHASED: __/__/__

Triton Wood Veneer Desk

Model # ODUS-TWVD18



ADULT ASSEMBLY REQUIRED

If you have any questions regarding assembly or if parts are missing, DO NOT return this item to the store where it was purchased. Please call our toll-free customer service number and have your instructions and parts list ready to provide the model name, part name or factory number:

1-866-942-5362

Pacific Standard Time: 8:30 a.m. - 4:30 p.m., Monday - Friday

Or visit our web site 24 hours a day, 7 days a week for product assistance at

www.whalenfurniture.com

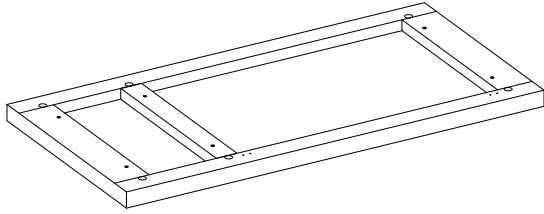
Or e-mail your request to **parts@whalenfurniture.com**

**THIS INSTRUCTION BOOKLET CONTAINS IMPORTANT SAFETY INFORMATION.
PLEASE READ AND KEEP FOR FUTURE REFERENCE.**

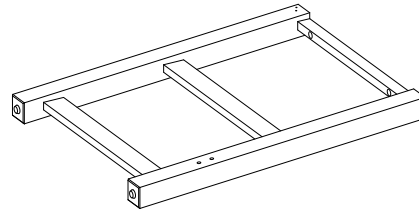
Date 2018-12-14 Rev. 0001-A

Parts and Hardware List

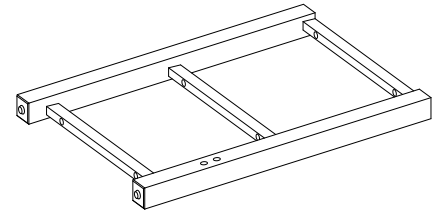
Please read completely through the instructions and verify that all listed parts and hardware are present before beginning assembly.



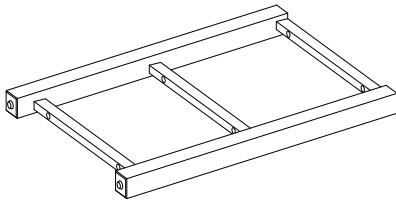
A- Desk Top (Qty. 1)



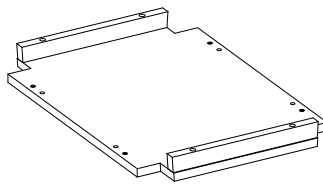
B- Left Side Frame (Qty. 1)



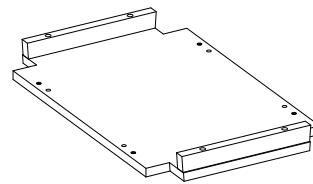
C- Middle Frame (Qty. 1)



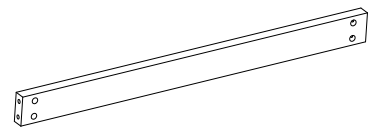
D- Right Side Frame
(Qty. 1)



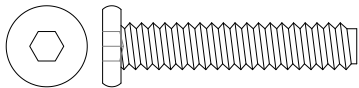
E- Bottom Shelf
(Qty. 1)



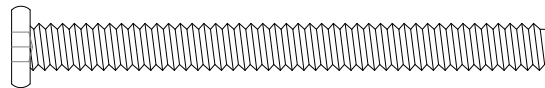
F- Middle Shelf
(Qty. 1)



G- Back Stretcher
(Qty. 1)



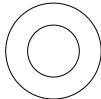
(1) 1-1/4" Bolt
(Qty. 14+1 extra)



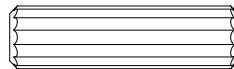
(2) 2-3/4" Bolt
(Qty. 4+1 extra)



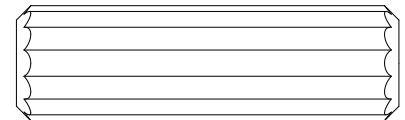
(3) Lock Washer
(Qty. 18+1 extra)



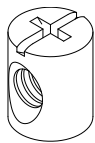
(4) Flat Washer
(Qty. 18+1 extra)



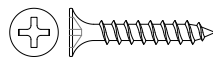
(5) M8 x 30 mm Wood Dowel
(Qty. 8+1 extra)



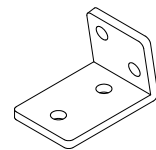
(6) M15 x 50 mm Wood Dowel
(Qty. 6+1 extra)



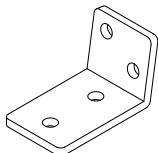
(7) Barrel Nut (Qty. 4+1 extra)



(8) #6 x 18mm Screw (Qty. 8+1 extra)



(9) "L" Metal Bracket (Qty. 1)



(10) "V" Metal Bracket
(Qty. 1)



(11) Wood Plug
(Qty. 4+1 extra)



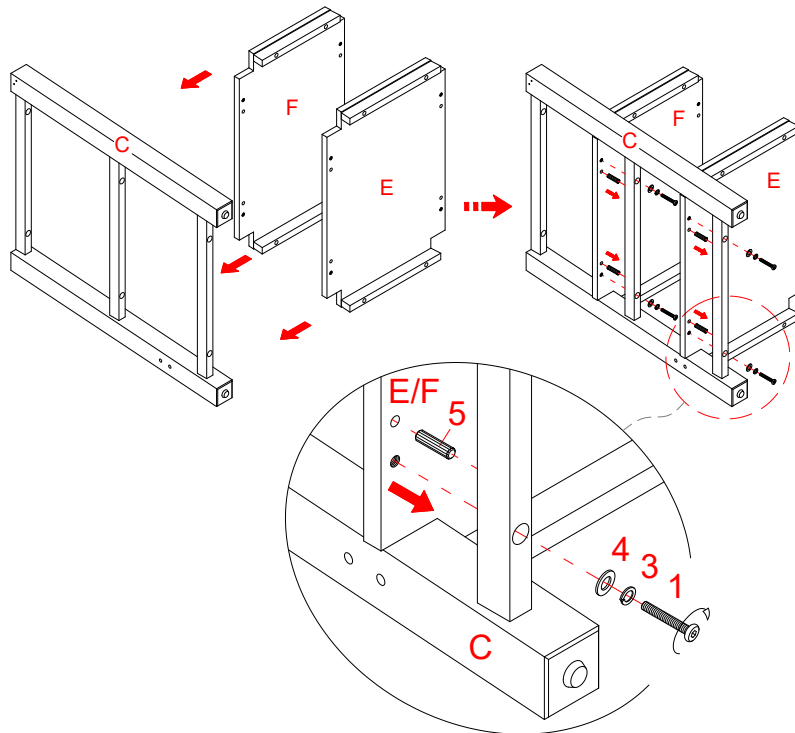
Hex Wrench
(Qty. 1)



Touch-up Pen
(Qty. 1)

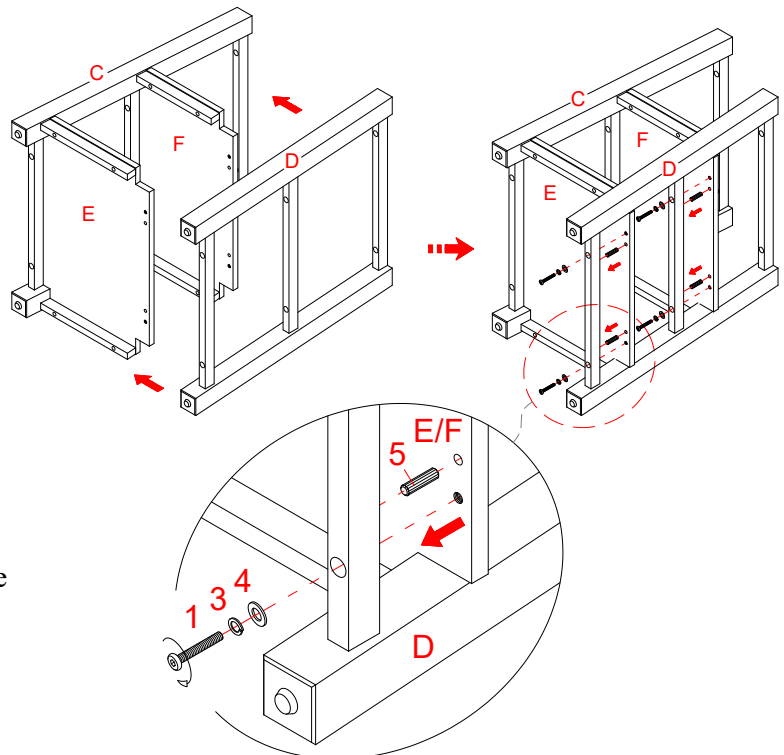
Tools required: Hex wrench (provided) and Phillips screwdriver (not provided).

Assembly Instructions



NOTE: Please do not fully tighten all bolts until you finish assembling all parts. Once assembled, go back and fully tighten all bolts. This will make the assembly easier.

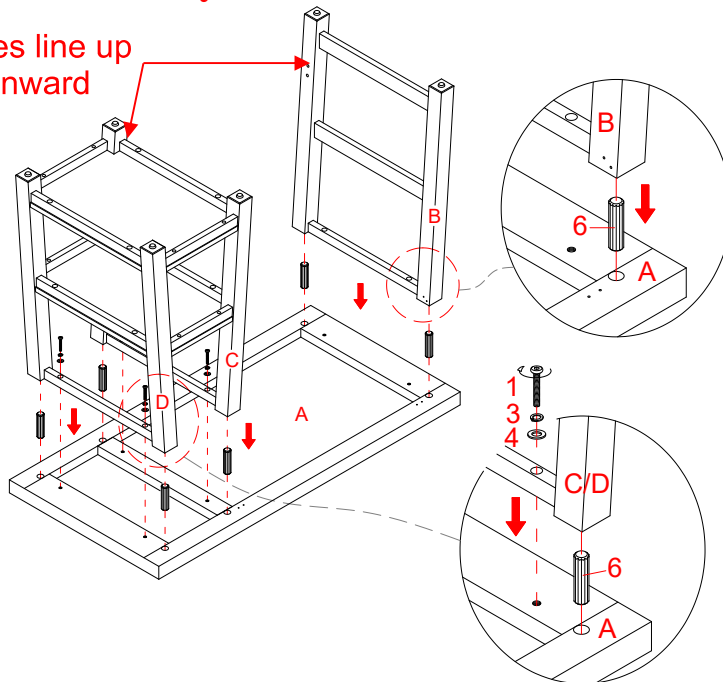
1. Unpack the unit and confirm that you have all the hardware and required parts.
2. Fit the Shelves (E and F) to the posts of Middle Frame (C) and attach to the side rail with two 30 mm Wood Dowel (5), two 1-1/4" Bolts (1), and two Washers (3 and 4) per shelf.



3. Repeat the same procedure to attach the Right Side Frame (D) at the other end.

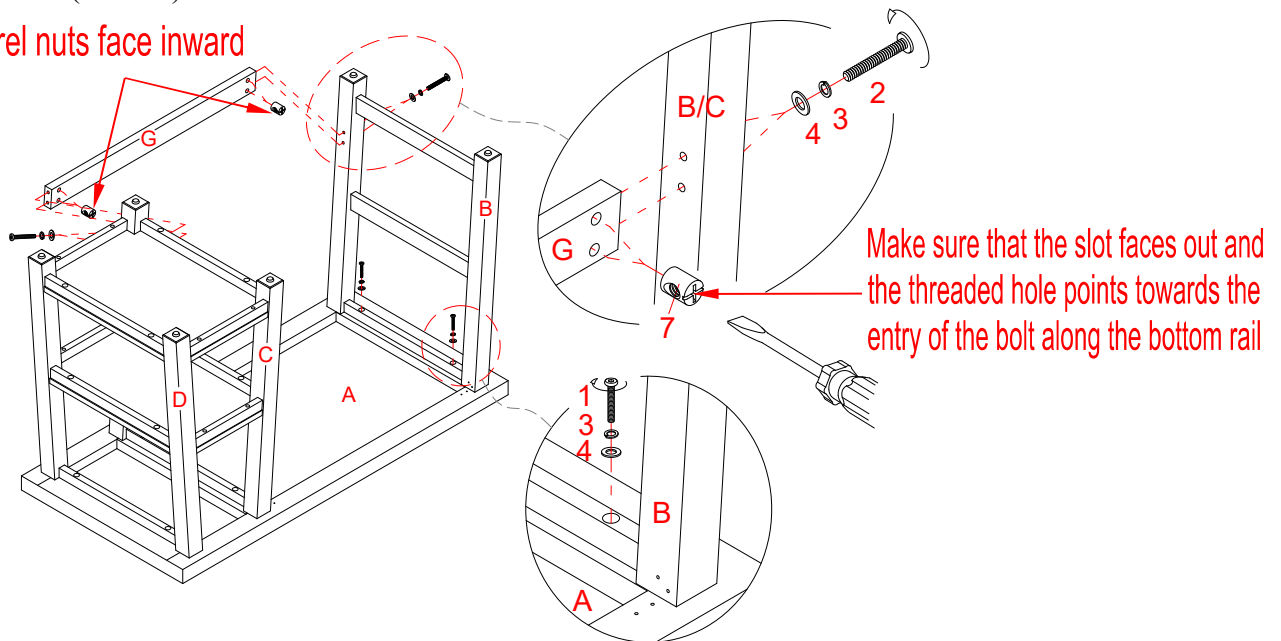
Assembly Instructions

Ensure the pre-drilled holes line up with each other and face inward



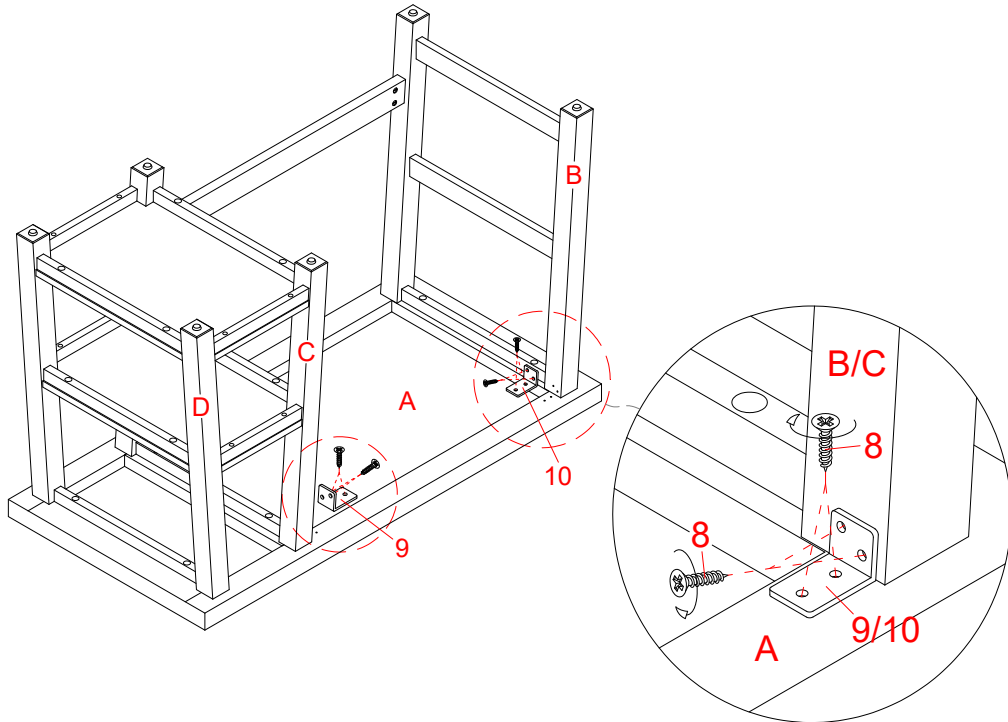
4. Locate the Desk Top (A) on a level and protected surface with the threaded inserts facing up.
5. Insert six 50 mm Wood Dowels (6) into the large holes of the Desk Top (A) as a guide. Align and attach Right Side Frame assembly and Left Side Frame (B) to the Desk Top (A).
6. Fasten the Right Side Frame assembly to the Desk Top (A) by using four 1-1/4" Bolts (1) and four Washers (3 and 4).

Barrel nuts face inward

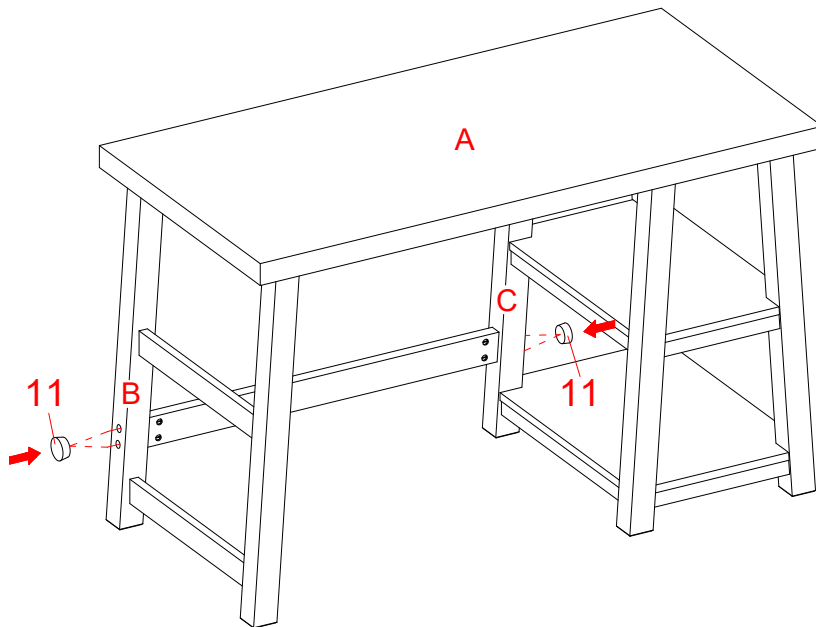


7. Insert four Barrel Nuts (7) into both end of the Back Stretcher (G). Be sure that the slot on the Barrel Nut faces out and that the threaded hole points towards the entry of the bolt along the Stretcher.
8. Fit the Back Stretcher (G) to the posts of Frames (B and C) by inserting four 2-3/4" Bolts (2) with the Washers (3 and 4) through the posts and screw into the Barrel Nuts (7) in the Back Stretcher (G).
9. Secure the Left Side Frame (B) in place by using two 1-1/4" Bolts (1) and two Washers (3 and 4).

Assembly Instructions



10. Use the pilot holes as a guide, secure the Frames (B and C) to the Desk Top (A) by attaching the Metal Brackets (9 and 10), using four 18 mm Wood Screws (8) per Metal Bracket. Tighten the screws with a Phillips screwdriver.



11. Ask for assistance to stand the assembled desk upright.
12. Cover the countersunk holes on the posts by inserting the provided Wood Plugs (11). Gently tap the Wood Plugs with a rubber mallet to ensure they are fully seated.

Care and Maintenance

- Use a soft, clean cloth that will not scratch the surface when dusting.
- Use of furniture polish is not necessary. Should you choose to use polish, test first in an inconspicuous area.
- Using solvents of any kind on your furniture may damage your furniture's finish.
- Never use water to clean your furniture as it may cause damage to the finish.
- Always use coasters under beverage glasses and flowerpots.
- Liquid spills should be removed immediately. Using a soft, clean cloth, blot the spill gently. Avoid rubbing.
- Always use protective pads under hot dishes and plates. Heat can cause chemical changes that may create spotting within the furniture finish.
- Stains or marks from crayons or ink markers will be difficult to remove.
- In the event that your furniture is stained or otherwise damaged during use, we recommend that you call a professional to repair your furniture.
- Check bolts/screws periodically and tighten them if necessary.

Further Advice about Wood Furniture Care

It is best to keep your furniture in a climate-controlled environment. Extreme temperature and humidity changes can cause fading, warping, shrinking and splitting of wood. It is advised to keep furniture away from direct sunlight as sun may damage the finish.

Proper care and cleaning at home will extend the life of your purchase. Following these important and helpful tips will enhance your furniture as it ages.

A touch-up pen has been provided to minimize the small nicks or scratches that may occur during assembly or shipping.

We hope you enjoy your purchase for many years.
Thank you for your purchase!

QUALITY GUARANTEE

We are confident that you will be delighted with your Whalen Furniture purchase.

Should this product be defective in workmanship or materials or fail under normal use, we will repair or replace it for up to one (1) year from date of purchase. Every Whalen Furniture product is designed to meet your highest expectations. We guarantee that you will immediately see the value of our fine furniture.

This warranty gives you specific legal rights and you may also have other rights which vary from state to state or province to province.

Customer Service: 1-866-942-5362
8:30 a.m. - 4:30 p.m., PST, Monday to Friday
www.whalenfurniture.com