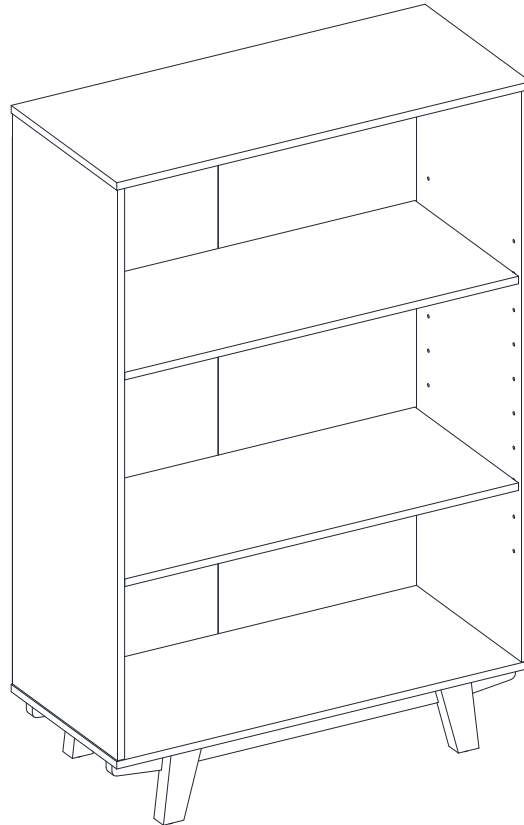


## Whitney Bookcase

Model # SPLS-WHBK-TV



**ADULT ASSEMBLY REQUIRED DUE TO THE PRESENCE OF SMALL PARTS, SHARP POINTS, SHARP EDGES AS RECEIVED**

If you have any questions regarding assembly or if parts are missing, DO NOT return this item to the store where it was purchased. Please call our toll-free customer service number and have your instructions and parts list ready to provide the model name, part name or factory number:

**1-866-942-5362**

Pacific Standard Time: 8:30 a.m. - 4:30 p.m., Monday - Friday

Or visit our web site 24 hours a day, 7 days a week for product assistance at

**[www.whalenfurniture.com](http://www.whalenfurniture.com)**

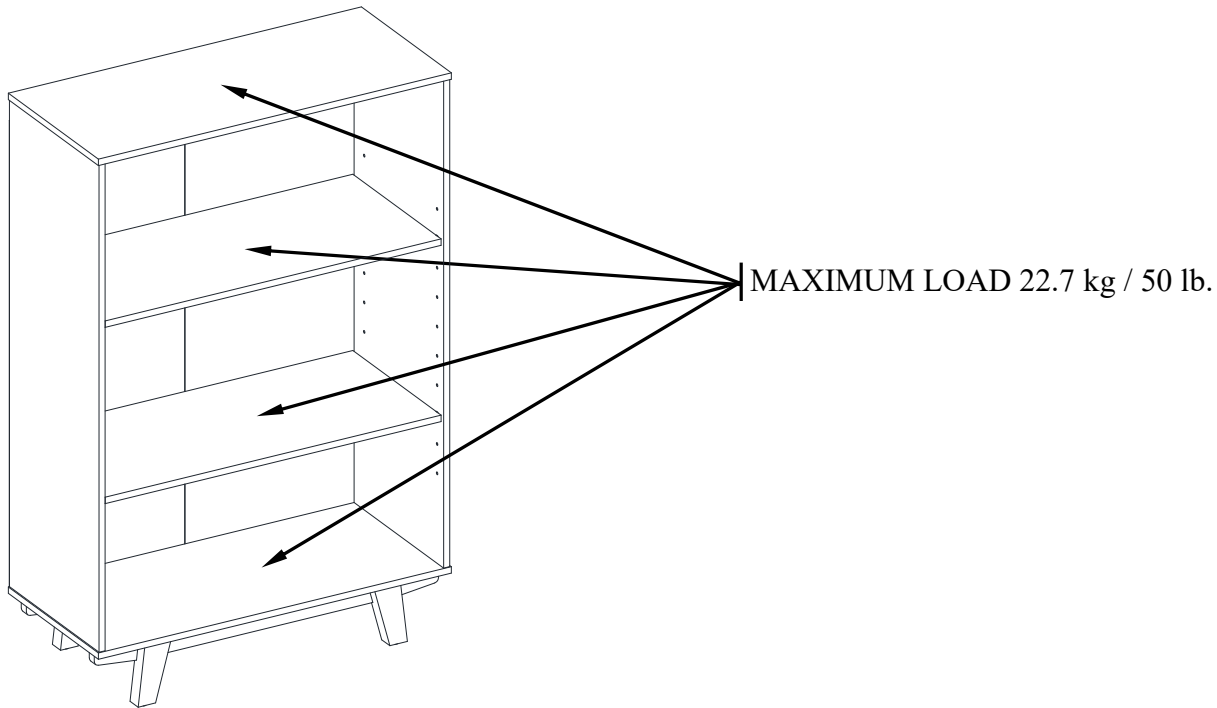
Or e-mail your request to **[parts@whalenfurniture.com](mailto:parts@whalenfurniture.com)**

**THIS INSTRUCTION BOOKLET CONTAINS IMPORTANT SAFETY INFORMATION.  
PLEASE READ AND KEEP FOR FUTURE REFERENCE.**

Date 2021-02-24 Rev. 0001-A

## MAXIMUM RECOMMENDED WEIGHT LOADS

MANUFACTURER: Whalen Furniture Manufacturing  
CATALOG: Whitney Bookcase  
MODEL # SPLS-WHBK-TV



### **⚠️ WARNING**

THIS UNIT IS INTENDED ONLY FOR USE WITHIN THE MAXIMUM WEIGHTS INDICATED. USE WITH LOAD HEAVIER THAN THE MAXIMUM WEIGHTS INDICATED MAY RESULT IN INSTABILITY, CAUSING POSSIBLE INJURY.

### **SPECIAL NOTE**

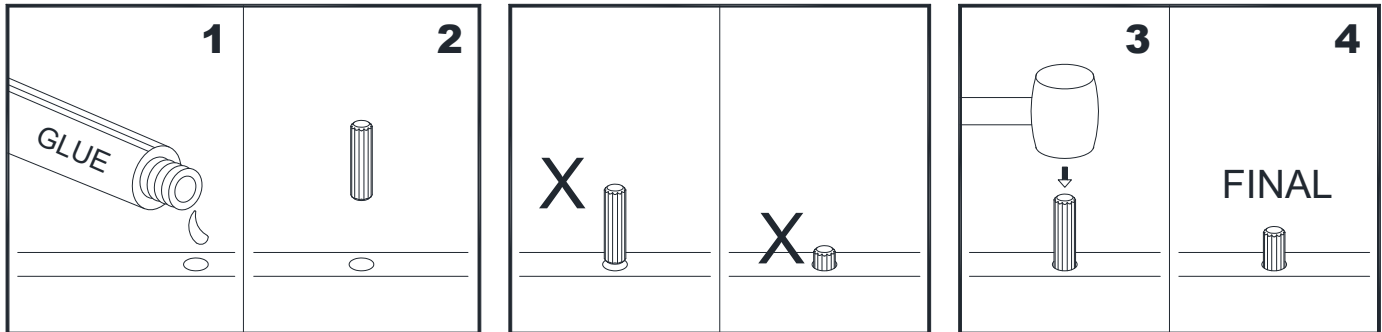
Please read the instruction sheets completely before assembly. Examine all packaging material before discarding carton. Remove any remaining staples from the carton before discarding. Remove all parts from carton and separate into groups as indicated on part list. Please ensure all parts are included prior to assembly. Use of power tools to complete assembly is not recommended.

## IMPORTANT

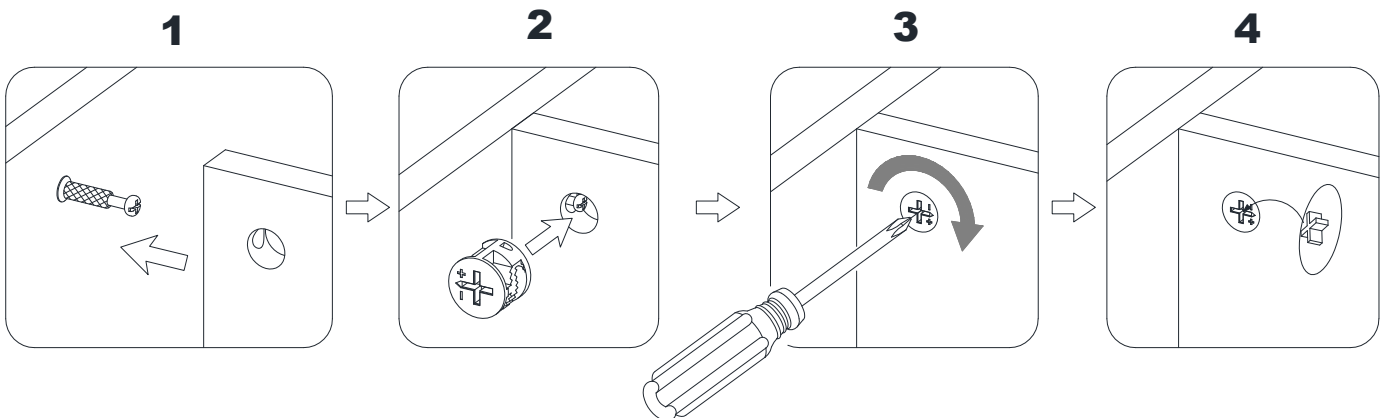
**Before you begin:** Open, identify and count all parts prior to assembly. Lay out parts on a flat and non-abrasive surface. You will need the parts identified on page 5 and 6 of this instruction manuals.

**NOTE:** IT IS VERY IMPORTANT TO USE GLUE WITH DOWELS. EXCESS GLUE CAN BE WIPED OFF WITH DAMP CLOTH.

Insert the Dowel at least half way by tapping lightly with a rubber mallet, IF NECESSARY.



## CAM LOCK SYSTEM OPERATION



## HOW THE KNOCK DOWN (KD) ASSEMBLY SYSTEM WORKS

1. Screw the Cam Bolt into the pre-drilled small holes on the panel. Connect both panels together; making sure the Cam Bolt goes into the pre-drilled hole at the end of the panel with the Cam Lock.
2. Insert the Cam Lock into the pre-drilled large hole in the panel. Make sure the arrow on the Cam Lock is pointed towards the Cam Bolt.
3. Once the Cam Bolt is connected inside the Cam Lock, take a Phillips screwdriver (not included) and tighten the Cam Lock clockwise.
4. Plug the Cam Lock Cover into the cross slot of the Cam Locks to conceal the cam.

You are now ready to assemble the KD unit.

# FURNITURE TIPPING RESTRAINT

**YOUNG CHILDREN MAY BE INJURED BY TIPPING FURNITURE AND YOU MUST USE THIS TIPPING RESTRAINT TO ATTACH THIS UNIT TO THE WALL, TO PREVENT ACCIDENTS AND/OR INJURIES.**

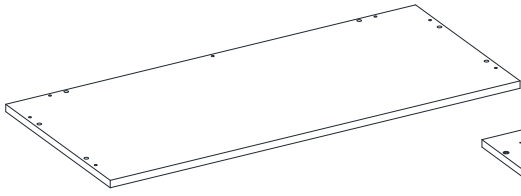
**THIS HARDWARE MUST BE PROPERLY INSTALLED (FOLLOW ALL DIRECTIONS IN ORDER ON THIS INSTRUCTIONS), TO PROVIDE PROTECTION AGAINST THE UNEXPECTED TIPPING OF FURNITURE DUE TO IMPROPER USE.**

**THIS PRODUCT IS ONLY A DETERRENT. IT IS NOT A SUBSTITUTE FOR PROPER ADULT SUPERVISION. USE OF TIP-OVER RESTRAINTS MAY ONLY REDUCE, BUT NOT ELIMINATE, THE RISK OF TIP-OVER.**

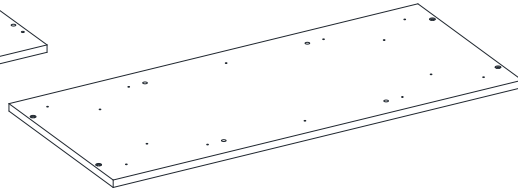
 <b>WARNING</b>	
	<p><b>Children have died from furniture tipover. To reduce the risk of furniture tipover:</b></p> <ul style="list-style-type: none"><li>• ALWAYS install tipover restraint provided.</li><li>• NEVER put a TV on this product.</li><li>• NEVER allow children to stand, climb or hang on drawers, doors, or shelves.</li><li>• NEVER open more than one drawer at a time.</li><li>• Place heaviest items in the lowest drawers.</li></ul>
	<p><b>Use of tip-over restraints may only reduce, but not eliminate, the risk of tip-over.</b></p>

## Parts and Hardware List

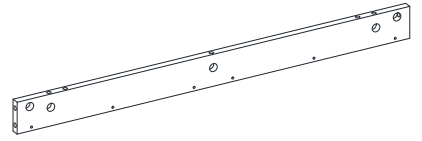
Please read completely through the instructions and verify that all listed parts and hardware are present before beginning assembly.



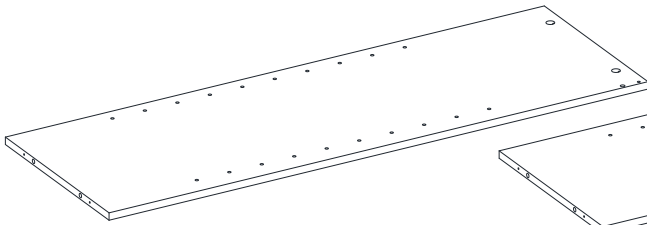
A- Top Panel (Qty. 1)



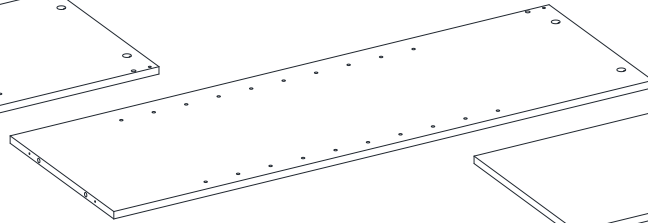
B- Bottom Panel (Qty. 1)



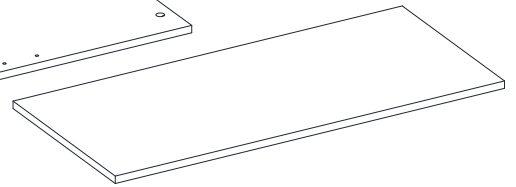
C- Top Back Stretcher (Qty. 1)



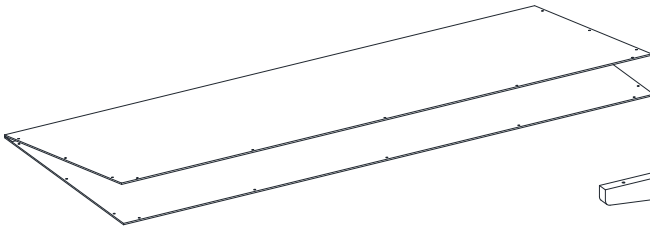
D- Left Side Panel (Qty. 1)



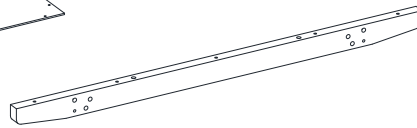
E- Right Side Panel (Qty. 1)



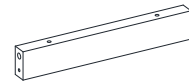
F- Adjustable Shelf (Qty. 2)



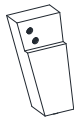
G- Back Panel (Qty. 1)



H- Base Long Stretcher (Qty. 2)



I- Base Short Stretcher (Qty. 2)



J- Left Front/Right Back Leg (Qty. 2)



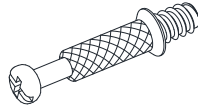
K- Left Back/Right Front Leg (Qty. 2)

## Parts and Hardware List

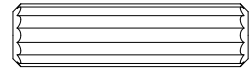
Please read completely through the instructions and verify that all listed parts and hardware are present before beginning assembly.



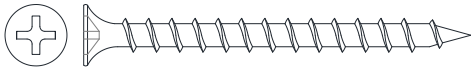
(1) Cam Lock  
(Qty. 9+1 extra)



(2) Cam Bolt  
(Qty. 9+1 extra)



(3) M8 x 30 mm Wood Dowel  
(Qty. 20+1 extra)



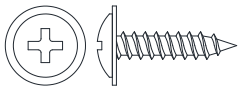
(4) M4 x 50 mm Screw  
(Qty. 4+1 extra)



(5) M4 x 38 mm Screw  
(Qty. 18+1 extra)



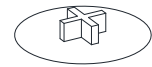
(6) M3.5 x 12 mm Screw  
(Qty. 8+1 extra)



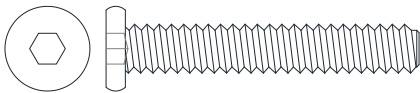
(7) M3.5 x 15 mm Washer Head Screw  
(Qty. 22+1 extra)



(8) Shelf Support  
(Qty. 8+1 extra)



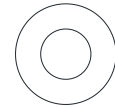
(9) Cam Lock Cover  
(Qty. 4+1 extra)



(10) 1/4" x 38 mm Bolt  
(Qty. 8+1 extra)



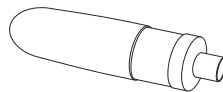
(11) Lock Washer  
(Qty. 8+1 extra)



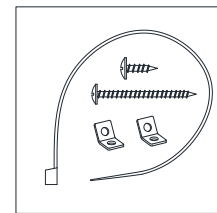
(12) Flat Washer  
(Qty. 8+1 extra)



Hex Wrench (Qty. 1)



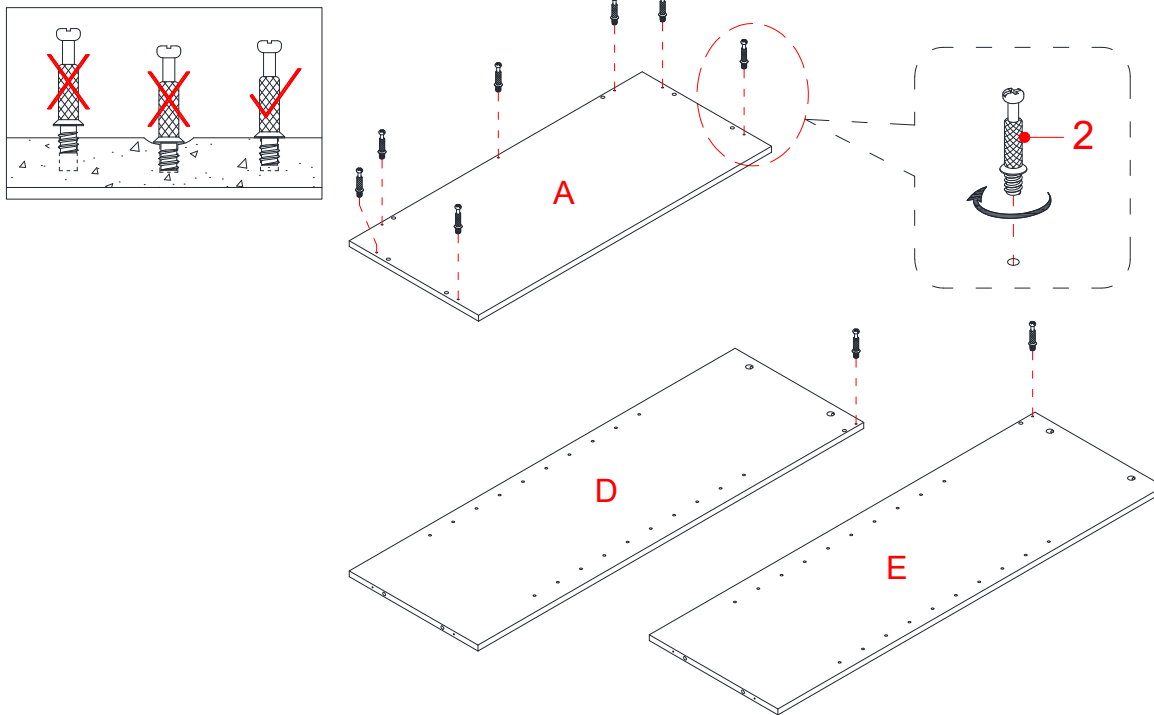
Glue (Qty. 1)



Tipping Restraint Hardware Kit (Qty. 2)  
(Included in plastic bag)

Tools required (not included): Phillips screwdriver, stud finder, pencil, tape measure, power drill and 1/8 in drill bit.

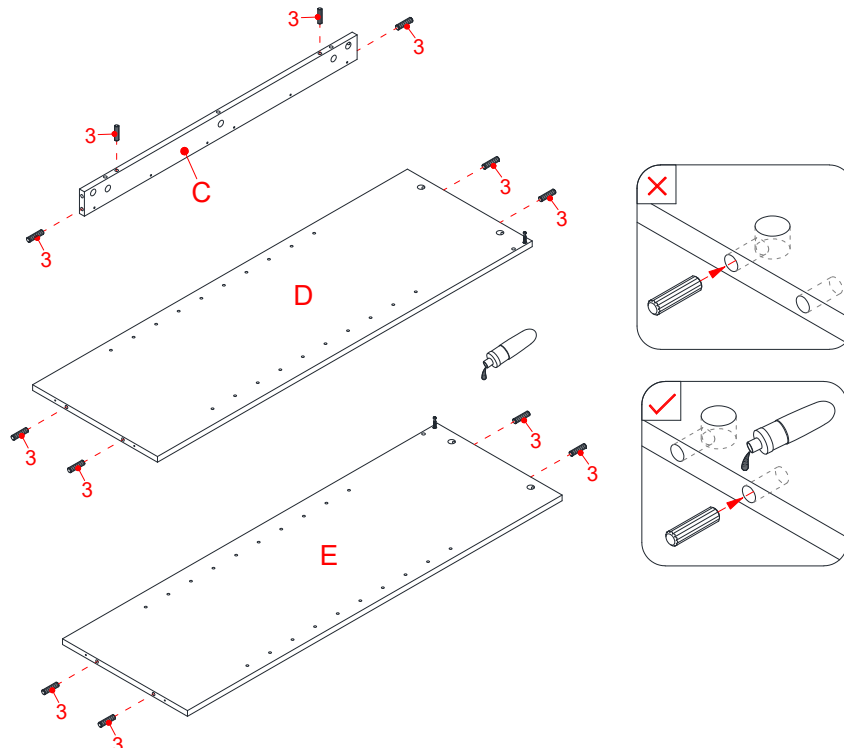
## Assembly Instructions



**NOTE:** Please do not fully tighten all bolts until you finish assembling all parts. Once assembled, go back and fully tighten all bolts. This will make the assembly easier.

1. Unpack the unit and confirm that you have all the hardware and required parts. Assemble the unit on a carpeted floor or the empty carton to avoid any scratch.
2. Securely screw the Cam Bolts (2) into the designated small holes on the Panels (A, D and E) with a Phillips screwdriver. DO NOT overtighten the Cam Bolts.

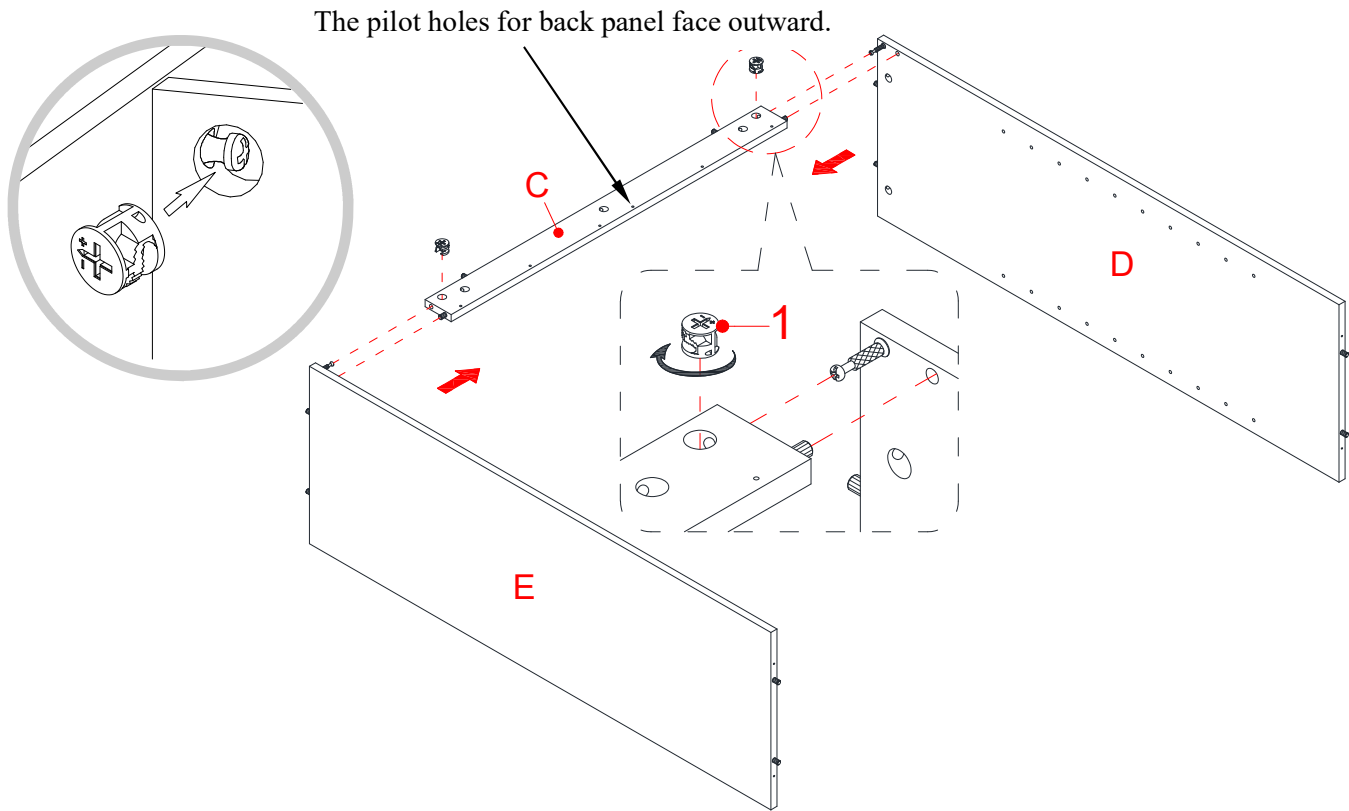
**NOTE:** Screw-in cam bolts must be screwed down flush.



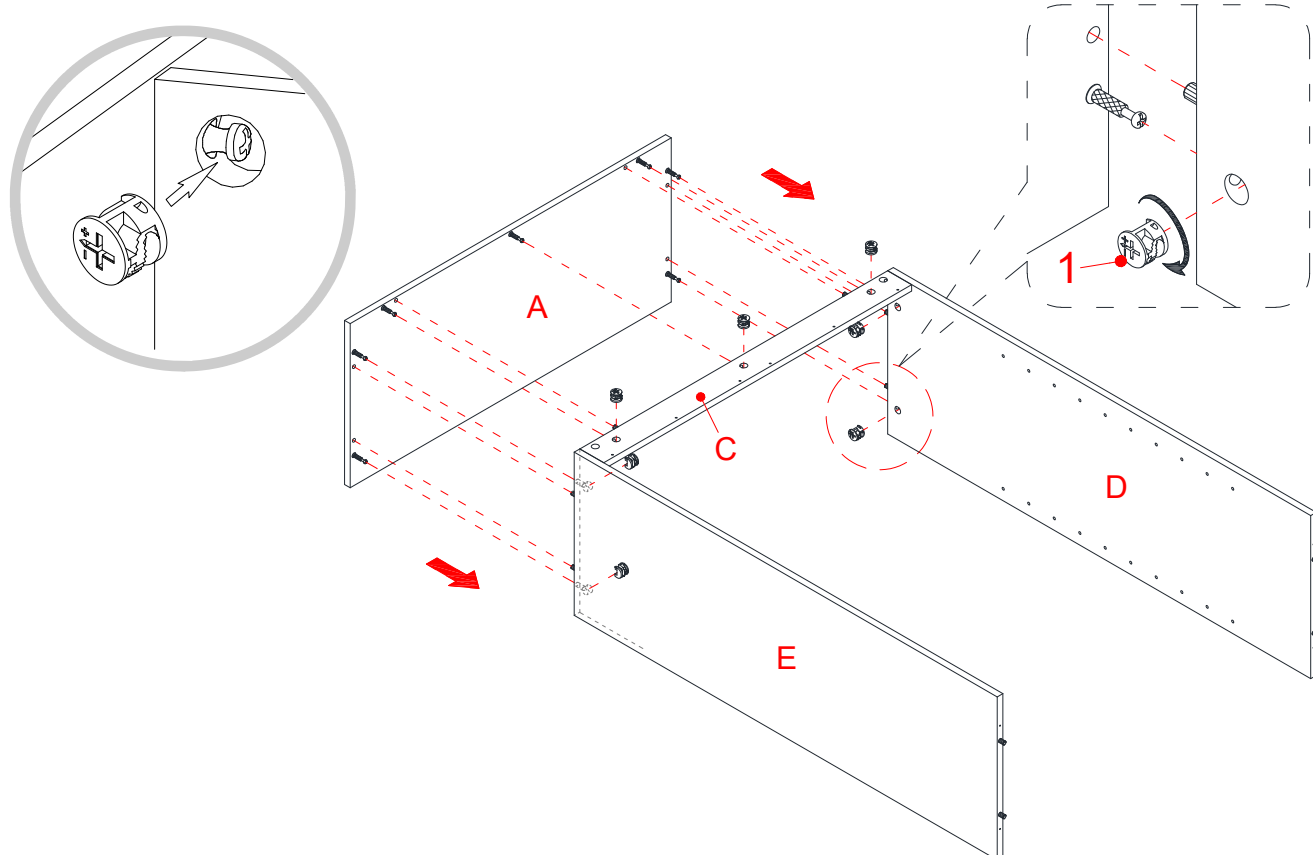
3. Glue twelve 30 mm Wood Dowels (3) into the inner holes on the Top Back Stretcher (C) and the Side Panels (D and E). Make sure that you use a small amount of glue with both ends of all dowels.

**NOTE:** It is very important to use a small amount of glue on both ends of dowels.

## Assembly Instructions



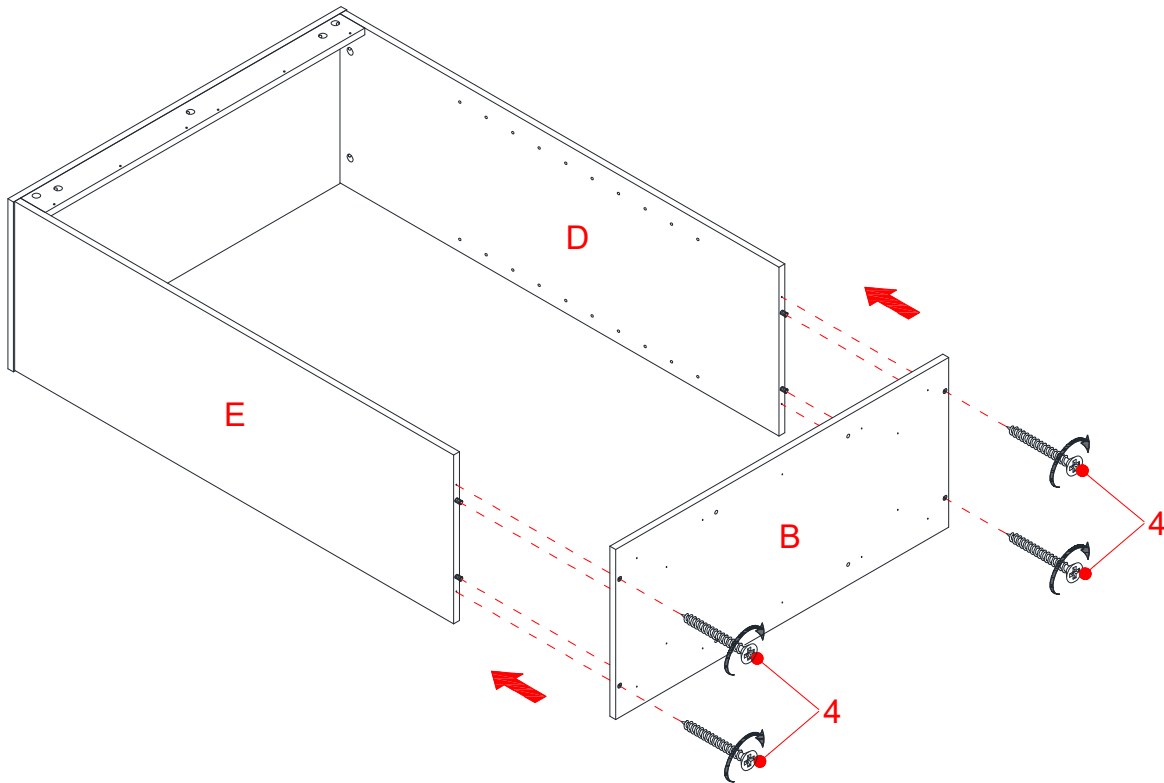
4. Align and attach the Top Back Stretcher (C) between the Side Panels (D and E) by engaging two Cam Locks (1). (Refer to page 3 on Cam Lock system operation supplement).



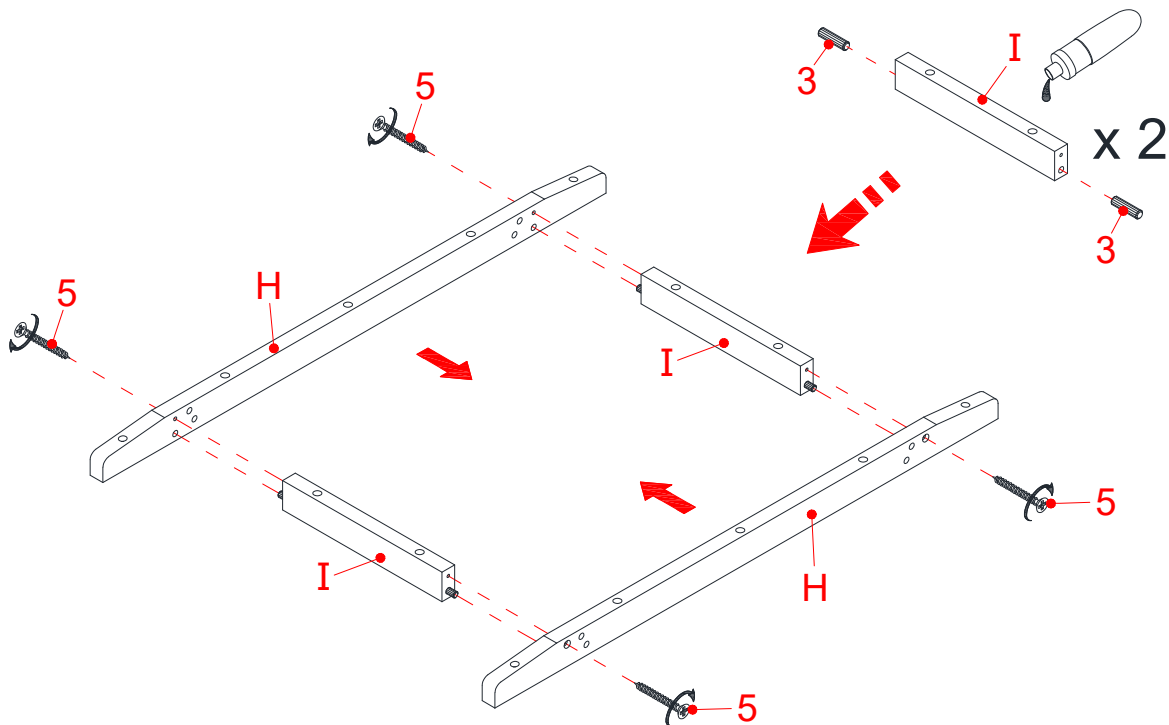
5. Align and attach the Top Panel (A) to the assembled Top Back Stretcher (C) and the Side Panels (D and E) by engaging seven Cam Locks (1).



## Assembly Instructions

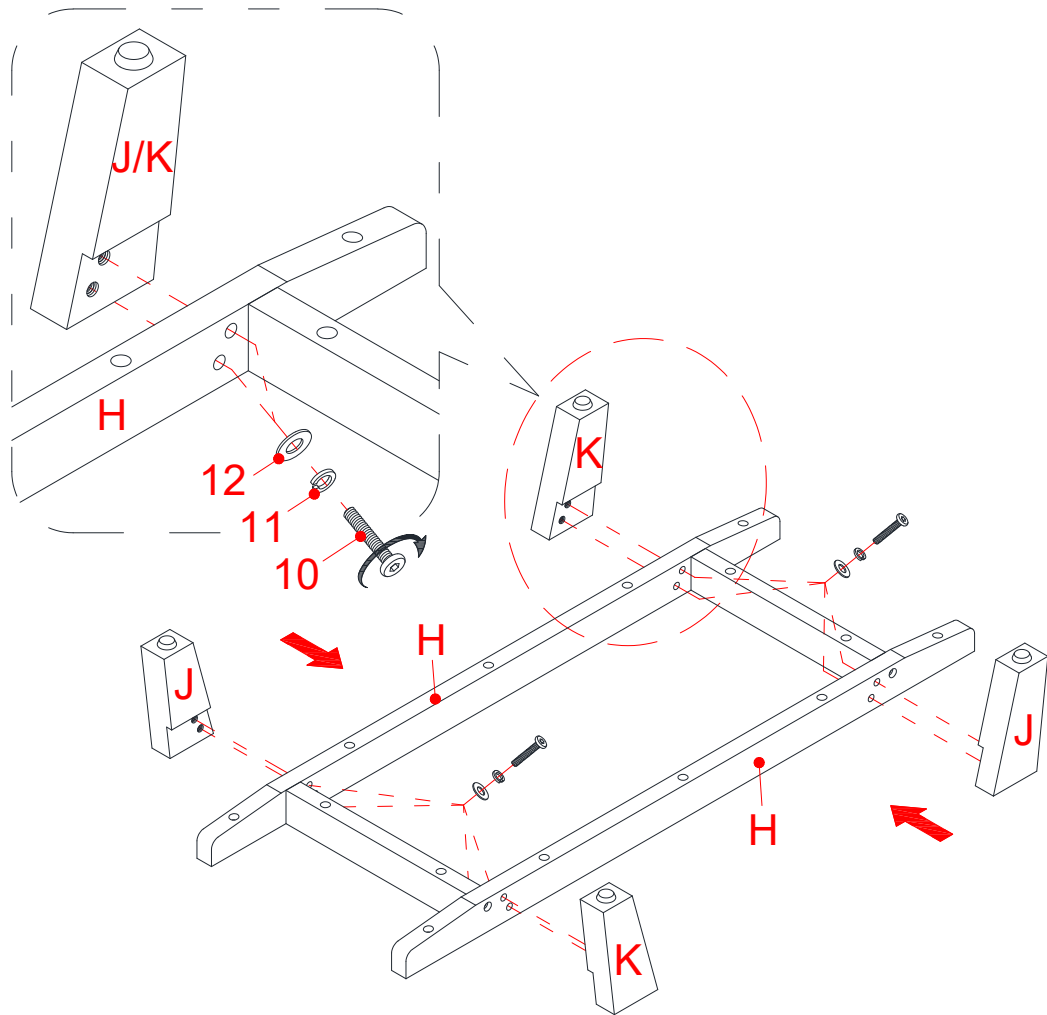


- Using the wood dowels as a guide, align and attach the Bottom Panel (B) to the assembled Side Panels (D and E) with four 50 mm Screws (4). Tighten the screws with a Phillips screwdriver.

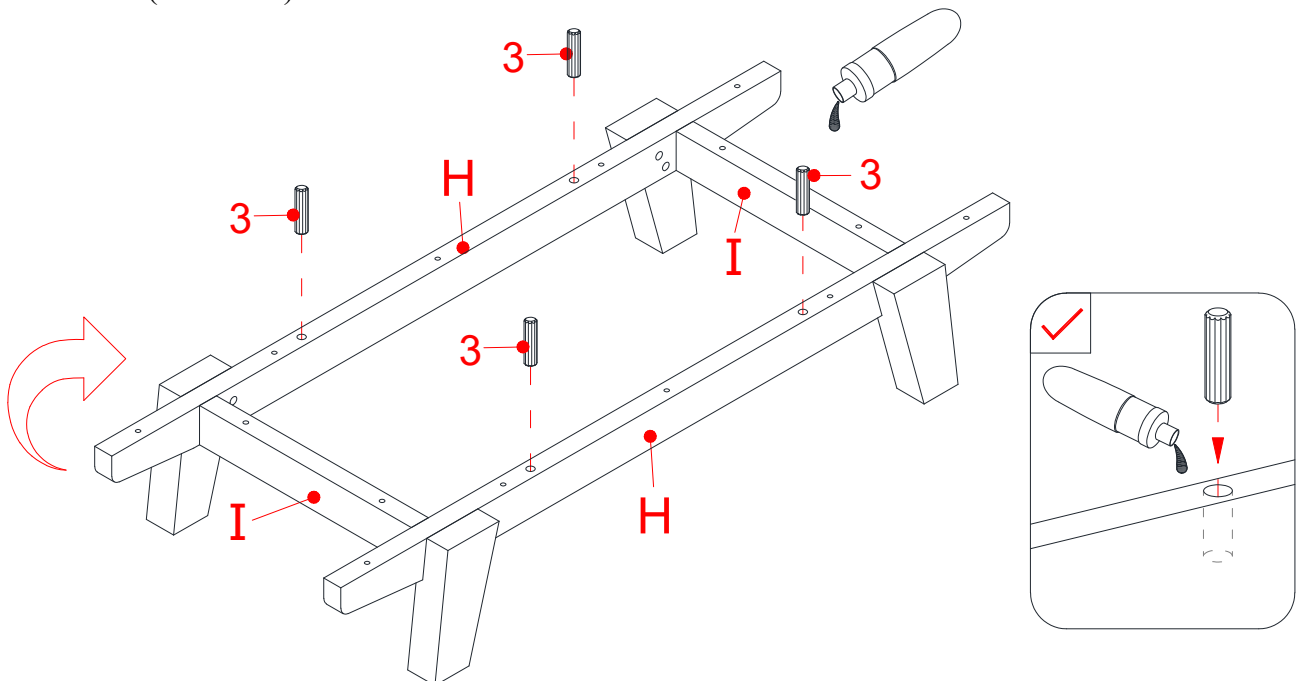


- Glue two 30 mm Wood Dowels (3) into the pre-drilled holes on the ends of each Base Short Stretcher (I).
- Align and attach the Base Short Stretchers (I) between the Base Long Stretchers (H) with four 38 mm Screws (5).

## Assembly Instructions

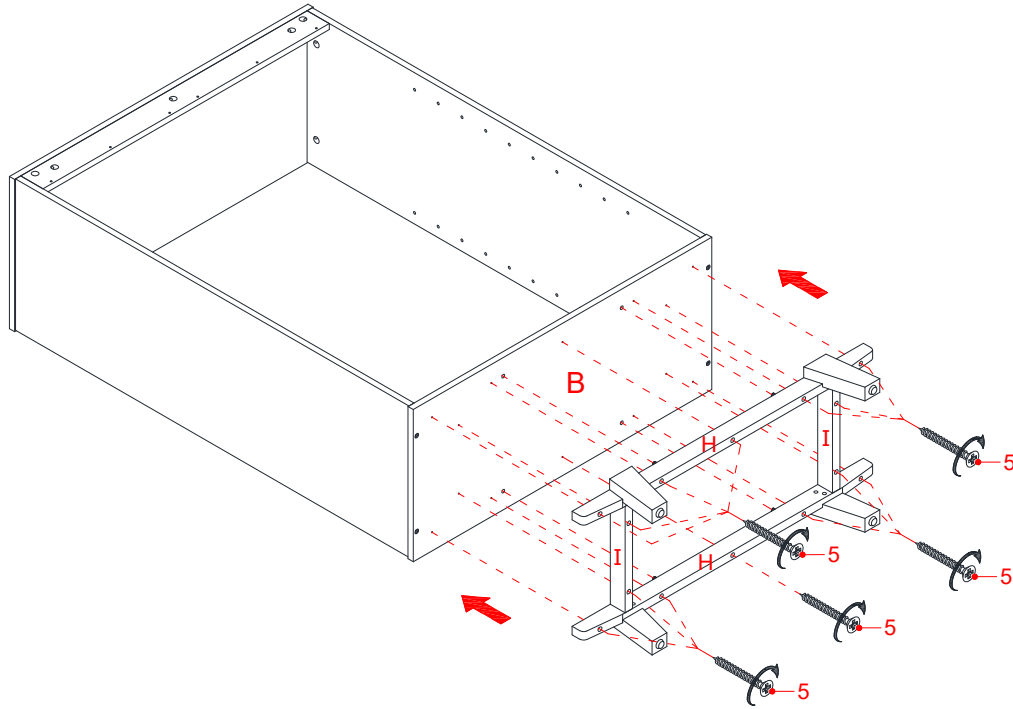


9. Fasten the Legs (J and K) to the Base Long Stretchers (H) with eight 38 mm Bolts (10) and eight Washers (11 and 12).

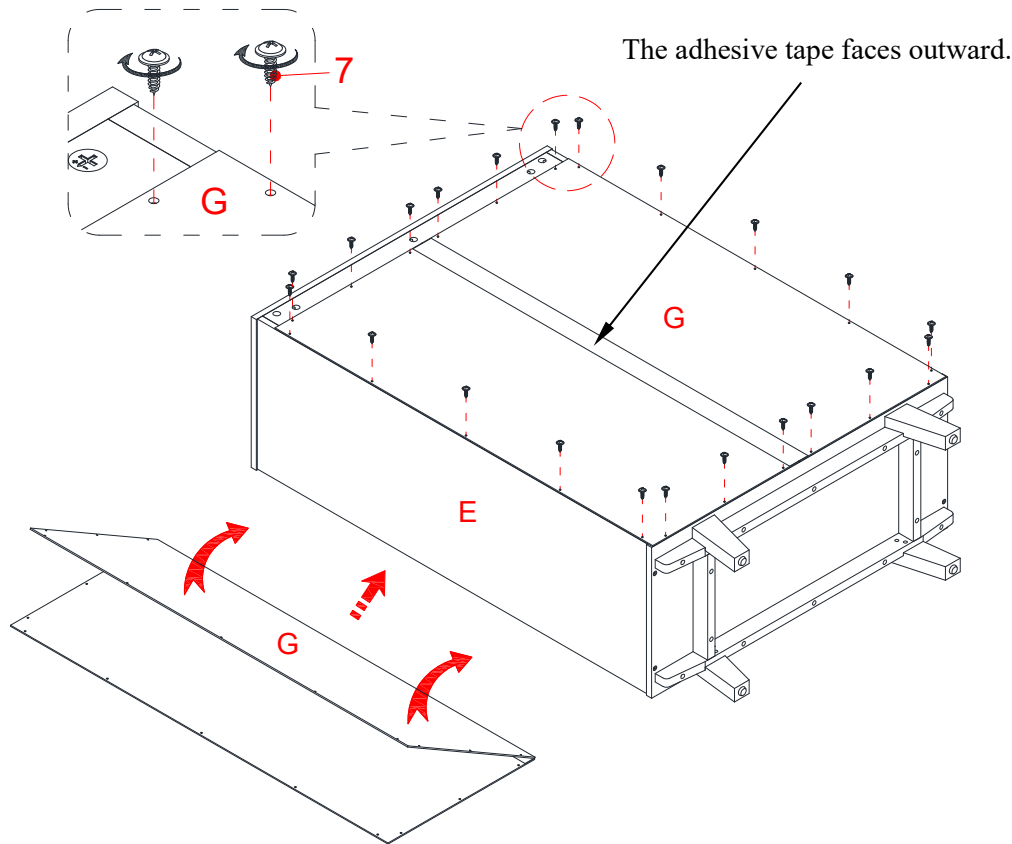


10. Stand the assembled base upright and glue four 30 mm Wood Dowels (3) into the inner holes on the Base Stretchers (H and I).

## Assembly Instructions



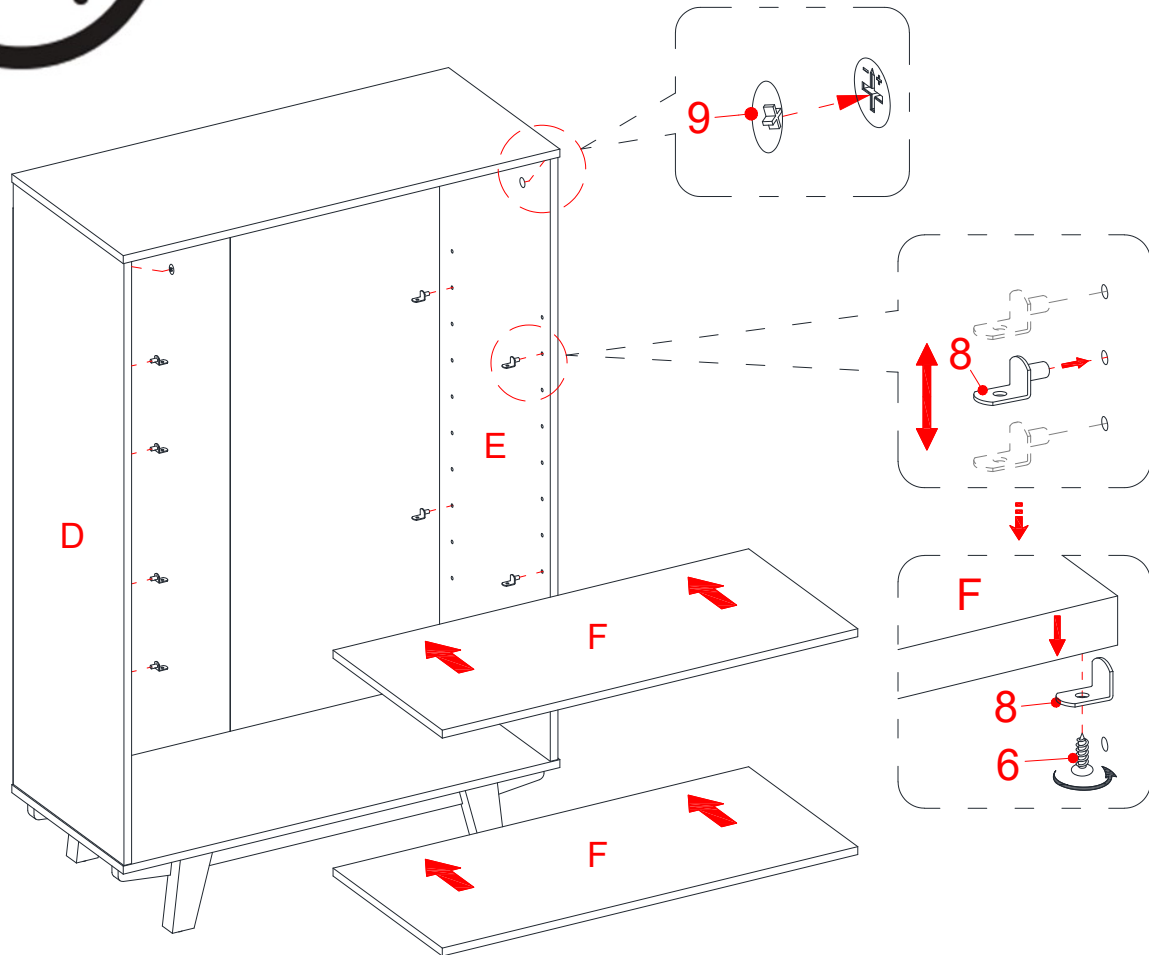
- Using the wood dowels as a guide, align and attach the assembled Base Stretchers (H and I) to the Bottom Panel (B) and tighten them with fourteen 38 mm Screws (5).



- Now, go back and securely tighten all the bolts and screws. Make sure that all the parts are tight and there are no gaps between the parts. This will help keep the unit square.
- Using the pilot holes as a guide, unfold the Back Panel (G) and align the pre-drilled holes against the upper long edge with the pilot holes on the Top Back Stretcher (C). Attach the Back Panel (G) in place with 15 mm Washer Head Screws (7) provided.

**NOTE:** We recommend attaching the back panel with Pan Head Screws at the corners first.

## Assembly Instructions

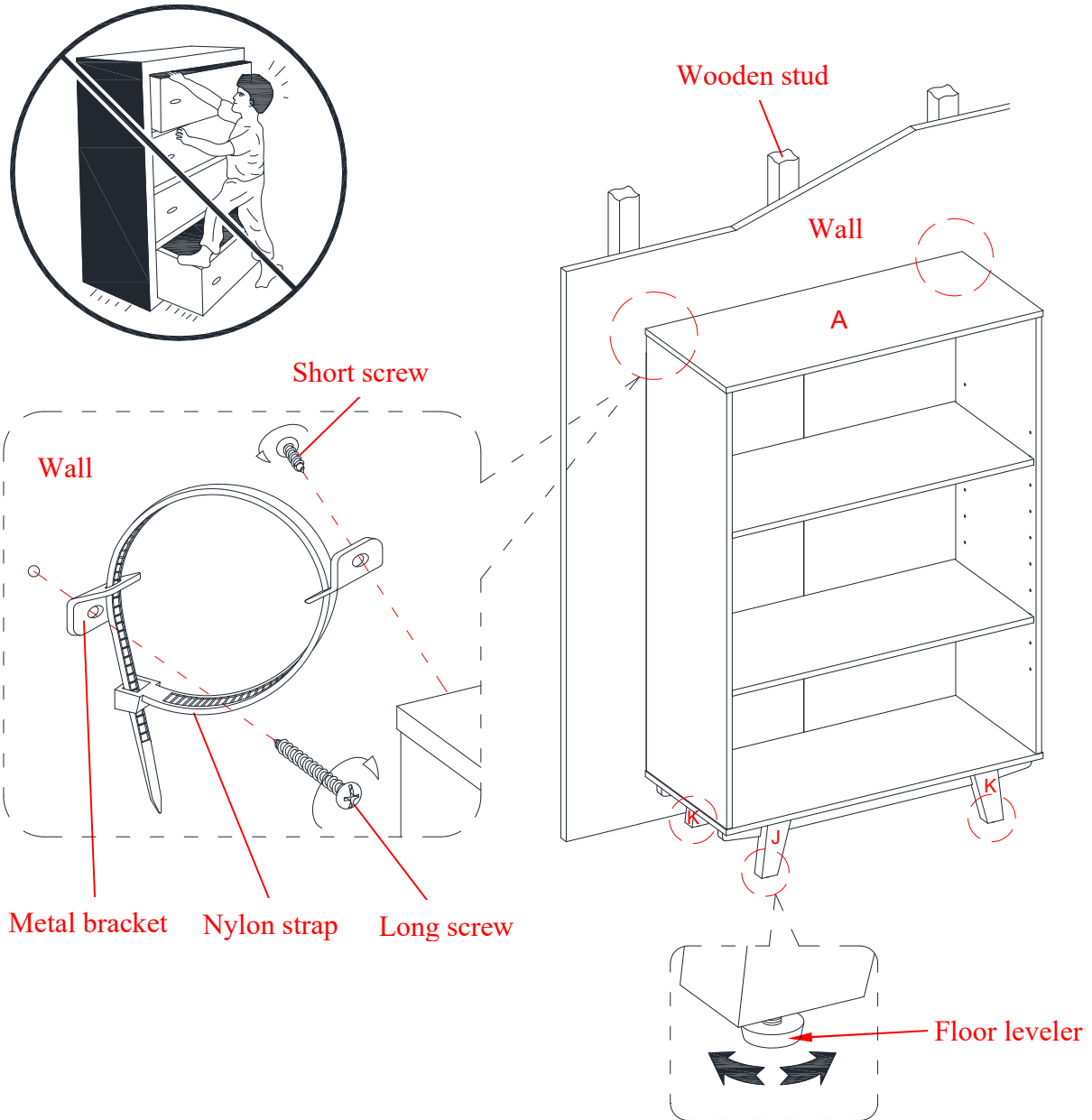


14. Ask for assistance to stand the unit upright.

15. Insert four Shelf Supports (8) into the holes at the desired height inside each side panel. Make sure you place four shelf supports in the same level, so the shelf is not tilted. Tilt and rest the Adjustable Shelves (F) onto the Shelf Supports (8) and secure them (F) into place with 12 mm Flat Head Screws (6).

16. Put the Cam Lock Covers (9) to cover the visible cam locks on the panels.

## Assembly Instructions



**Tools required (not provided):** Phillips screwdriver, stud finder, tape measure, pencil, power drill and 1/8" drill bit.

17. Position the unit at the desired location against a wall. If necessary, adjust the Floor Levelers at the bottom of the Legs (J and K) to level the unit.
18. Now, follow the instructions printed on the plastic bag containing the Tipping Restraint Hardware to attach the tip-over restraints to the unit and the wall.

**NOTE:** The tipping restraint hardware included is for wooden stud wall construction. It must be attached to a wall stud. Depending upon your wall construction, different anchor hardware maybe required. Please contact your local hardware store for assistance. Young children can be seriously injured by tipping furniture. You must install the tipping restraint hardware with the unit to prevent the unit from tipping, causing any accidents or damage. The tipping restraints are intended only as a deterrent, they are not a substitute for proper adult supervision. The tipping restraints are not earthquake restraints. If you wish to add the extra security of earthquake restraints, they must be purchased and installed separately.

19. The unit is now ready for use.

## Care and Maintenance

- Use a soft, clean cloth that will not scratch the surface when dusting.
- Gently rub the surface with a soft dry cloth, soft damp cloth, or soft damp cloth with neutral detergent, and then dry it well.
- Strong Alkaline detergents or acidic detergents are not recommended to use.
- Sponges containing abrasive agents or fibers are not recommended to use.
- Use of furniture polish is not necessary. Should you choose to use polish, test first in an inconspicuous area.
- Using solvents of any kind on your furniture may damage the finish.
- Never use water to clean your furniture as it may cause damage to the finish.
- Always use coasters under beverage glasses and flowerpots.
- Liquid spills should be removed immediately. Using a soft, clean cloth, blot the spill gently. Avoid rubbing.
- Always use protective pads under hot dishes and plates. Heat can cause chemical changes that may create spotting within the furniture finish.
- In the event that your furniture is stained or otherwise damaged during use, we recommend that you call a professional to repair your furniture.
- Check bolts/screws periodically and tighten them if necessary.

## Further advice about wood furniture care

It is best to keep your furniture in a climate-controlled environment. Extreme temperature and humidity changes can cause fading, warping, shrinking and splitting of wood. It is advised to keep furniture away from direct sunlight as sun may damage the finish.

Proper care and cleaning at home will extend the life of your purchase. Following these important and helpful tips will enhance your furniture as it ages.

We hope you enjoy your purchase for many years.  
Thank you for your purchase!

## QUALITY GUARANTEE

We are confident that you will be delighted with your Whalen Furniture purchase.

Should this product be defective in workmanship or materials or fail under normal use, we will repair or replace it for up to one (1) year from date of purchase. Every Whalen Furniture product is designed to meet your highest expectations. We guarantee that you will immediately see the value of our fine furniture.

This warranty gives you specific legal rights and you may also have other rights which vary from state to state or province to province.

Whalen Furniture Manufacturing  
1578 Air Wing Road, San Diego CA, 92154, USA  
Customer Service: 866-942-5362  
8:30 a.m. - 4:30 p.m., PST, Monday to Friday  
[www.whalenfurniture.com](http://www.whalenfurniture.com)