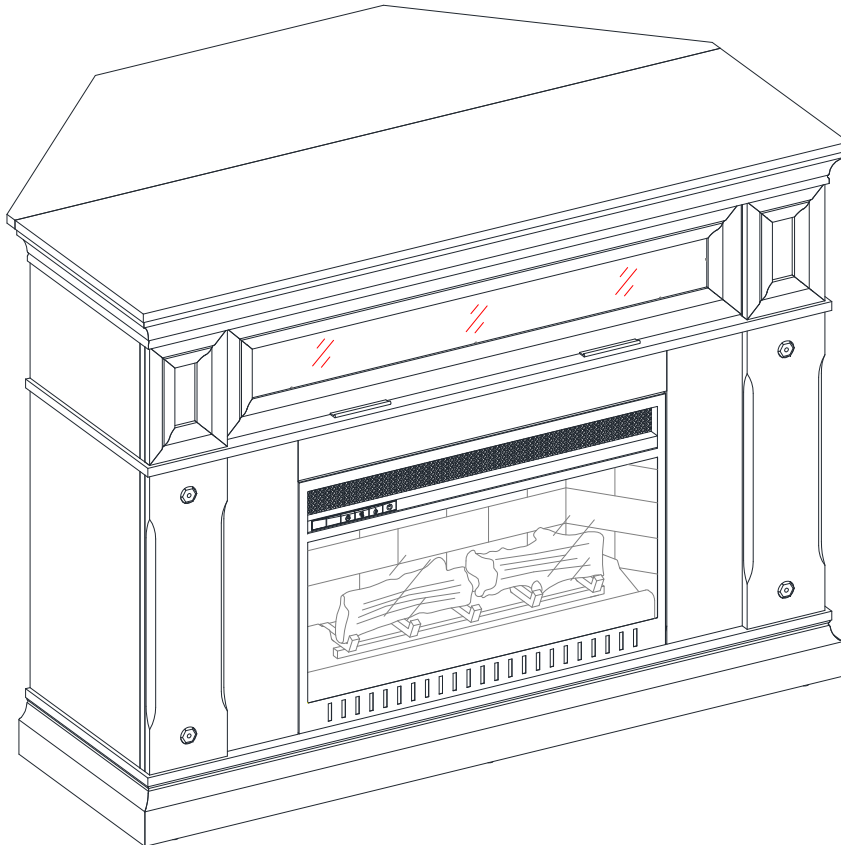




LOT NUMBER: \_\_\_\_\_  
DATE PURCHASED: \_\_/\_\_/\_\_

# Amesville 50" Fireplace Console

Model # MNFP50AV26IA  
# MNFP50AV26IB



## ADULT ASSEMBLY REQUIRED

If you have any questions regarding assembly or if parts are missing, DO NOT return this item to the store where it was purchased. Please call our toll-free customer service number and have your instructions and parts list ready to provide the model name, part name or factory number:

**1-866-942-5362**

Pacific Standard Time: 8:30 a.m. - 4:30 p.m., Monday - Friday

Or visit our web site 24 hours a day, 7 days a week for product assistance at

**[www.whalenfurniture.com](http://www.whalenfurniture.com)**

Or e-mail your request to **[parts@whalenfurniture.com](mailto:parts@whalenfurniture.com)**

**THIS INSTRUCTION BOOKLET CONTAINS IMPORTANT SAFETY INFORMATION.  
PLEASE READ AND KEEP FOR FUTURE REFERENCE.**

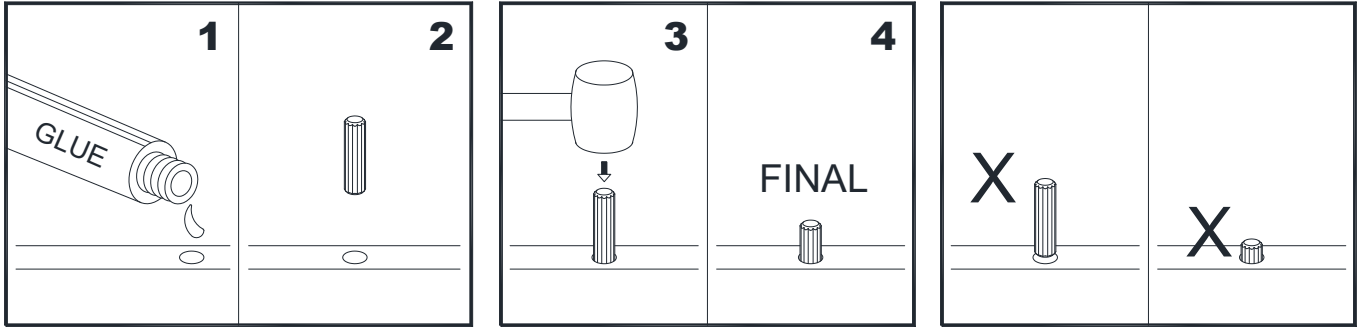
Date 2020-05-20 Rev. 0001-A

## IMPORTANT

**Before you begin:** Open, identify and count all parts prior to assembly. Lay out parts on a flat and non-abrasive surface. You will need the parts identified on page 3 and 4 of this instruction manuals.

**NOTE:** IT IS VERY IMPORTANT TO USE GLUE WITH THE DOWELS. EXCESS GLUE CAN BE WIPED OFF WITH A DAMP CLOTH.

Insert dowel at least half way by tapping lightly with a rubber mallet (not included), IF NECESSARY.



## WARNING

**Children have died from furniture tip-over.**

**To reduce the risk of furniture tip-over:**

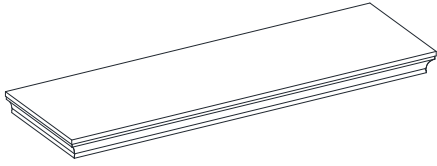
- ALWAYS install tip-over restraint provided.
- FOR use with televisions weighing 70 lbs or less. Use with heavier televisions may result in instability causing tip-over resulting in death or serious injury.
- NEVER allow children to stand, climb or hang on drawers, doors, or shelves.
- NEVER open more than one drawer at a time.
- Place heaviest items in the lowest drawers.

**Use of tip-over restraints may only reduce, but not eliminate, the risk of tip-over.**

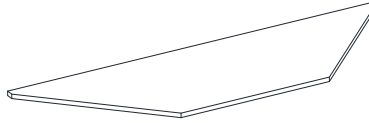


## Parts and Hardware List

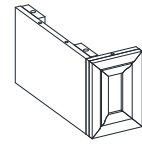
Please read completely through the instructions and verify that all listed parts and hardware are present before beginning assembly.



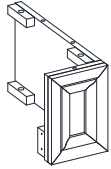
A- Top Panel (Qty. 1)



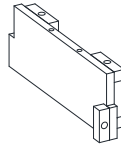
B- Top Corner Extension (Qty. 1)



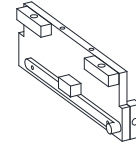
C- Upper Left Side Frame (Qty. 1)



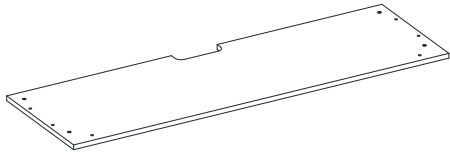
D- Upper Right Side Frame (Qty. 1)



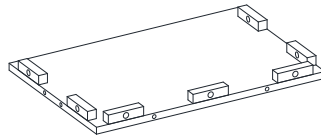
E- Upper Left Partition Panel (Qty. 1)



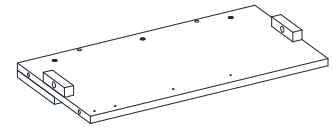
F- Upper Right Partition Panel (Qty. 1)



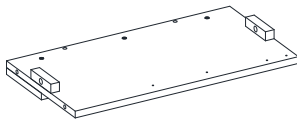
G- Media Shelf (Qty. 1)



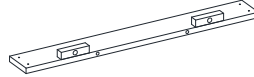
H- Lower Side Panel (Qty. 2)



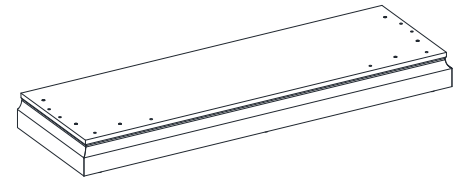
I- Lower Left Side Molding (Qty. 1)



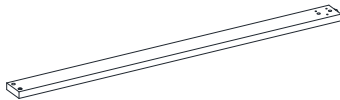
J- Lower Right Side Molding (Qty. 1)



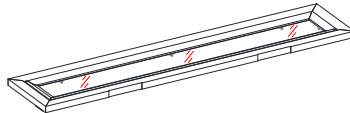
K- Middle Crossbar (Qty. 1)



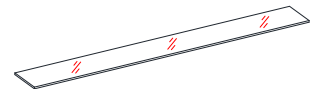
L- Base (Qty. 1)



M- Long Corner Support (Qty. 1)



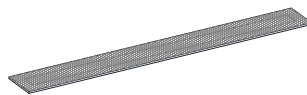
N- Barrister Door (Qty. 1)



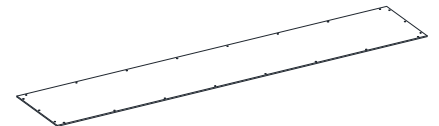
O- Glass Door Insert (Qty. 1)  
(Pre-attached)



P- Wood Door Insert (Qty. 1)



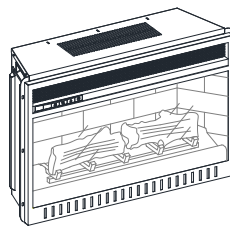
Q- Speaker Grill (Qty. 1)



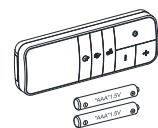
R- Back Panel (Qty. 1)



S- Short Corner Support (Qty. 1)



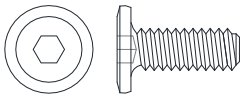
Fireplace Insert (Qty. 1)



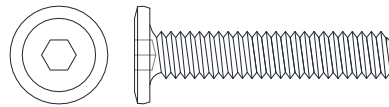
Remote Control with Battery (Qty. 1)

## Parts and Hardware List

Please read completely through the instructions and verify that all listed parts and hardware are present before beginning assembly.



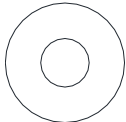
(1) 1/4" x 15 mm Bolt  
(Qty. 10+1 extra)



(2) 1/4" x 32 mm Bolt  
(Qty. 34+1 extra)



(3) Lock Washer  
(Qty. 34+1 extra)



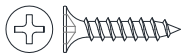
(4) Flat Washer  
(Qty. 34+1 extra)



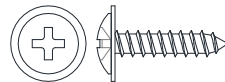
(5) M8 x 30 mm Long Wood Dowel  
(Qty. 38+1 extra)



(6) M3.5 x 12 mm Screw  
(Qty. 12+1 extra)



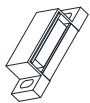
(7) M3.5 x 15 mm Flat Head Screw  
(Qty. 4+1 extra)



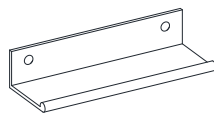
(8) M3.5 x 15 mm Washer Head Screw  
(Qty. 22+1 extra)



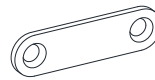
(9) M3.5 x 15 mm Pan Head Screw  
(Qty. 8+1 extra)



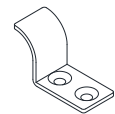
(10) Magnetic Catch  
(Qty. 2)



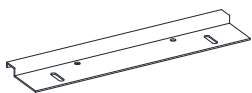
(11) Handle  
(Qty. 2)



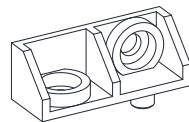
(12) Mending Plate  
(Qty. 4)



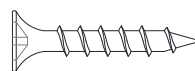
(13) Hook  
(Qty. 2)



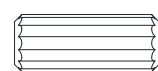
(14) Metal Bracket  
(Qty. 2)



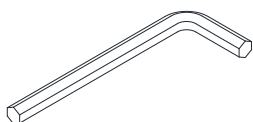
(15) Connector  
(Qty. 5)



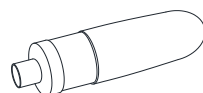
(16) M4 x 25 mm Screw  
(Qty. 3+1 extra)



(17) M8 x 20 mm Short Wood Dowel  
(Qty. 2 +1 extra)



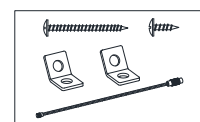
Hex Wrench  
(Qty. 1)



Glue  
(Qty. 2)



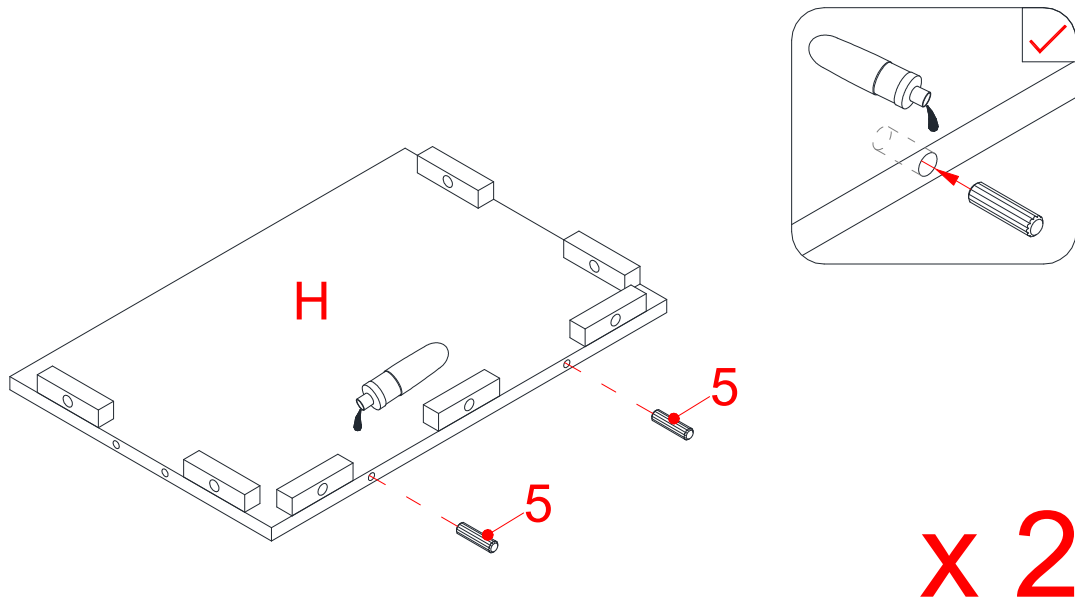
Touch-up Pen  
(Qty. 1)



Tipping Restraint Hardware Kit (Qty. 2)  
**(Included in plastic bag)**

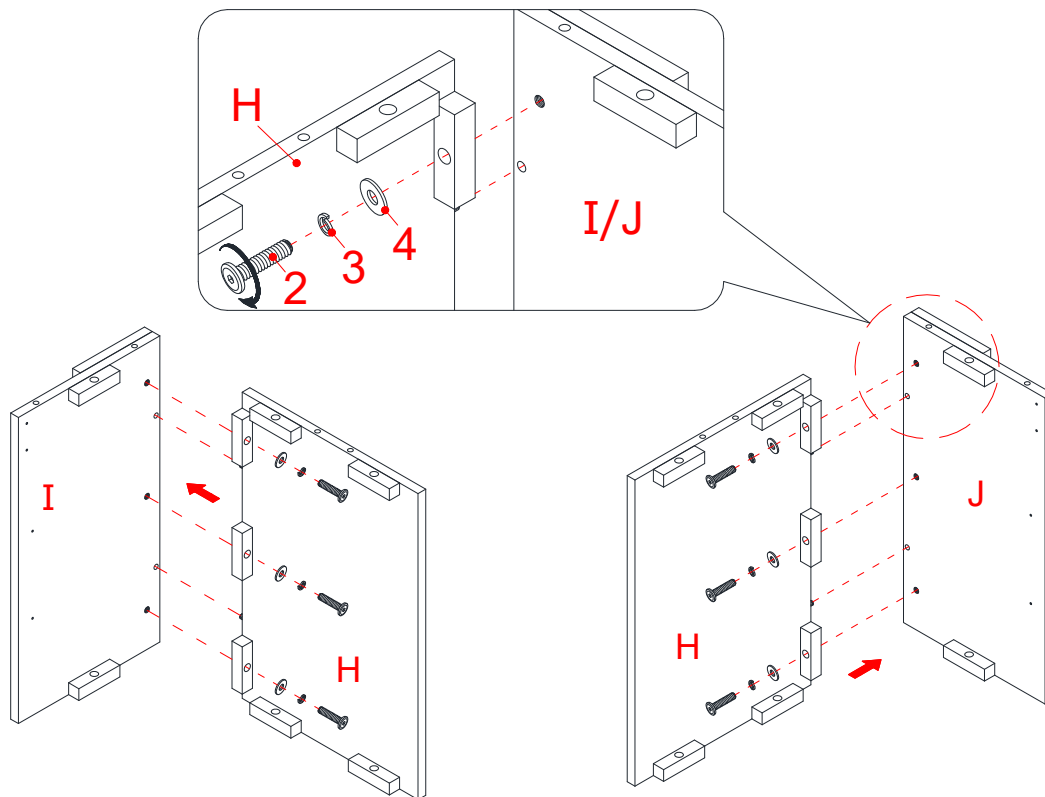
**Tools required (not included): Phillips screwdriver, stud finder, pencil, tape measure, power drill and 1/8" drill bit.**

## Assembly Instructions



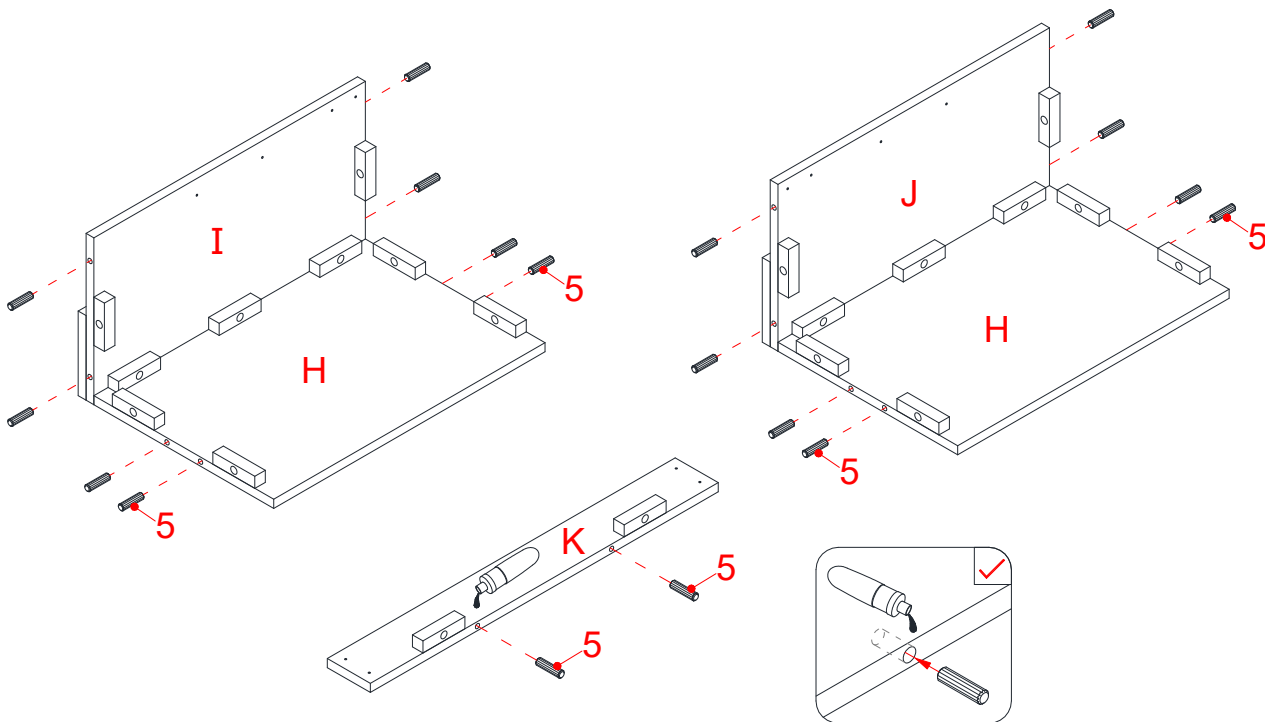
**NOTE: DO NOT** fully tighten all bolts until you finish assembling all parts. Once assembled, go back and fully tighten all bolts.

1. Unpack the unit and confirm that you have all the hardware and required parts. Assemble the unit on a carpeted floor or the empty carton to avoid any scratch.
2. Glue two Long Wood Dowels (5) into the inner holes on each Lower Side Panel (H) as shown.

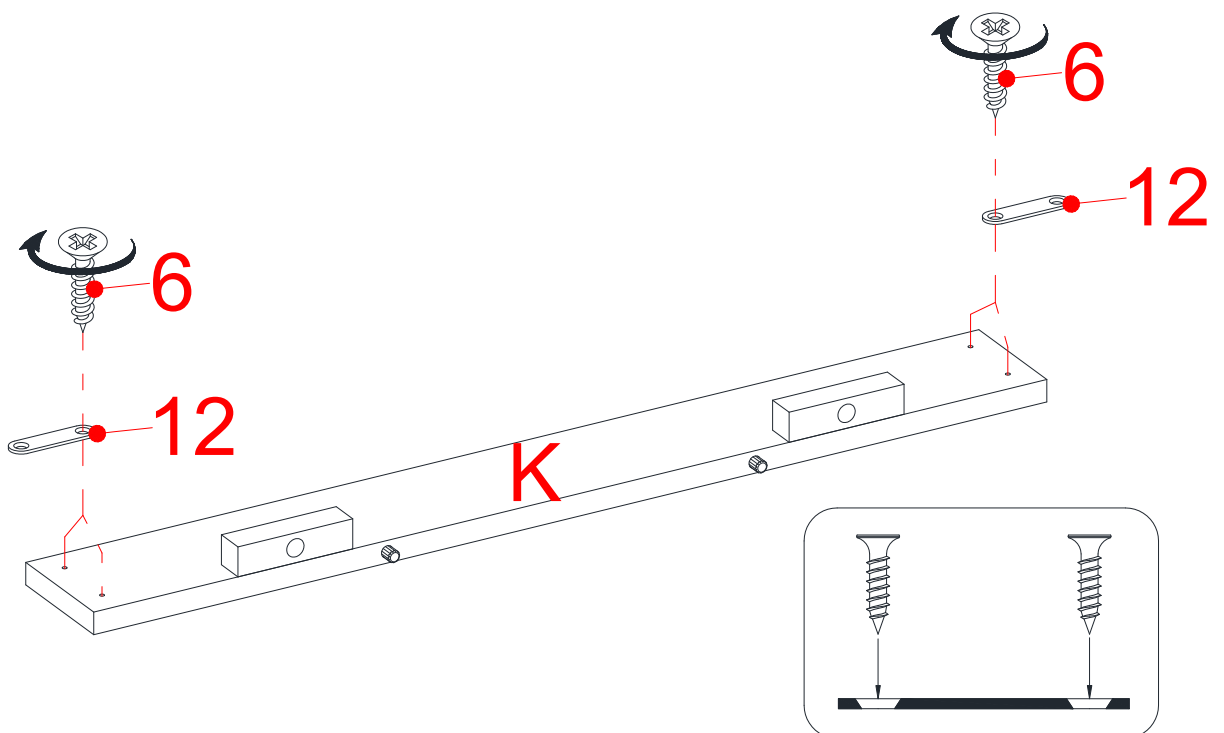


3. Attach one Lower Side Panel (H) to the Lower Left Side Molding (I) with three 32 mm Bolts (2) and three Washers (3 and 4).
4. Repeat the same procedure to attach the other Lower Side Panel (H) to the Lower Right Side Molding (J).

## Assembly Instructions

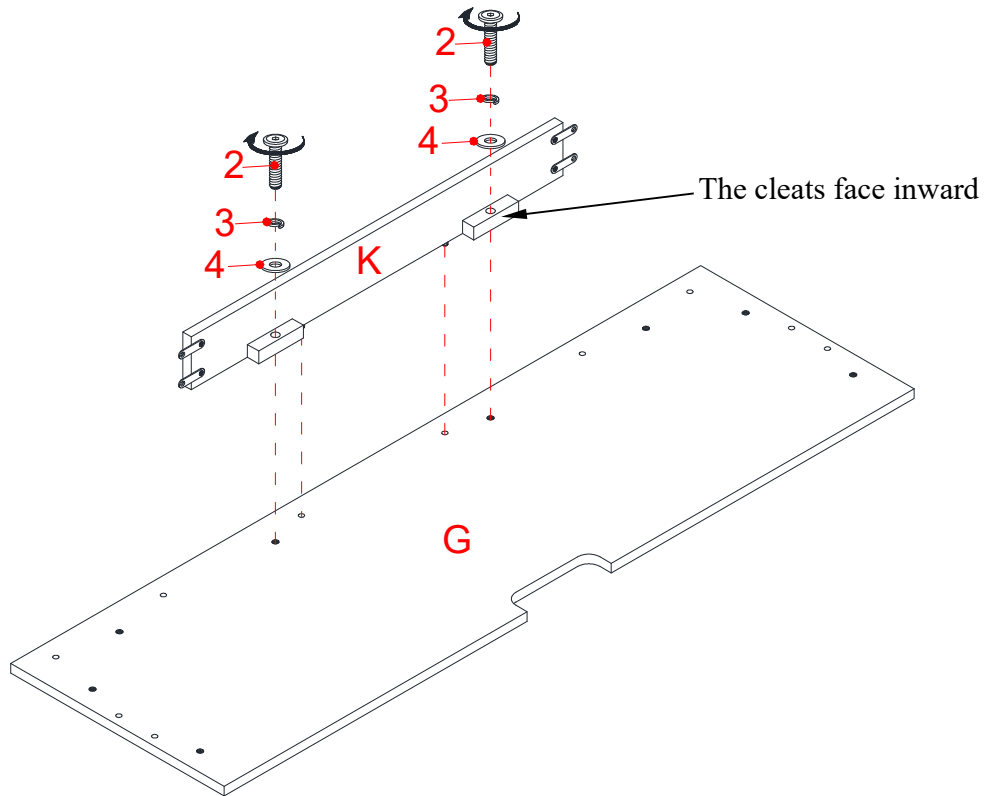


5. Glue the Long Wood Dowels (5) into the inner holes on Lower Side Panels (H), Lower Side Moldings (I and J) and Middle Crossbar (K) as shown.

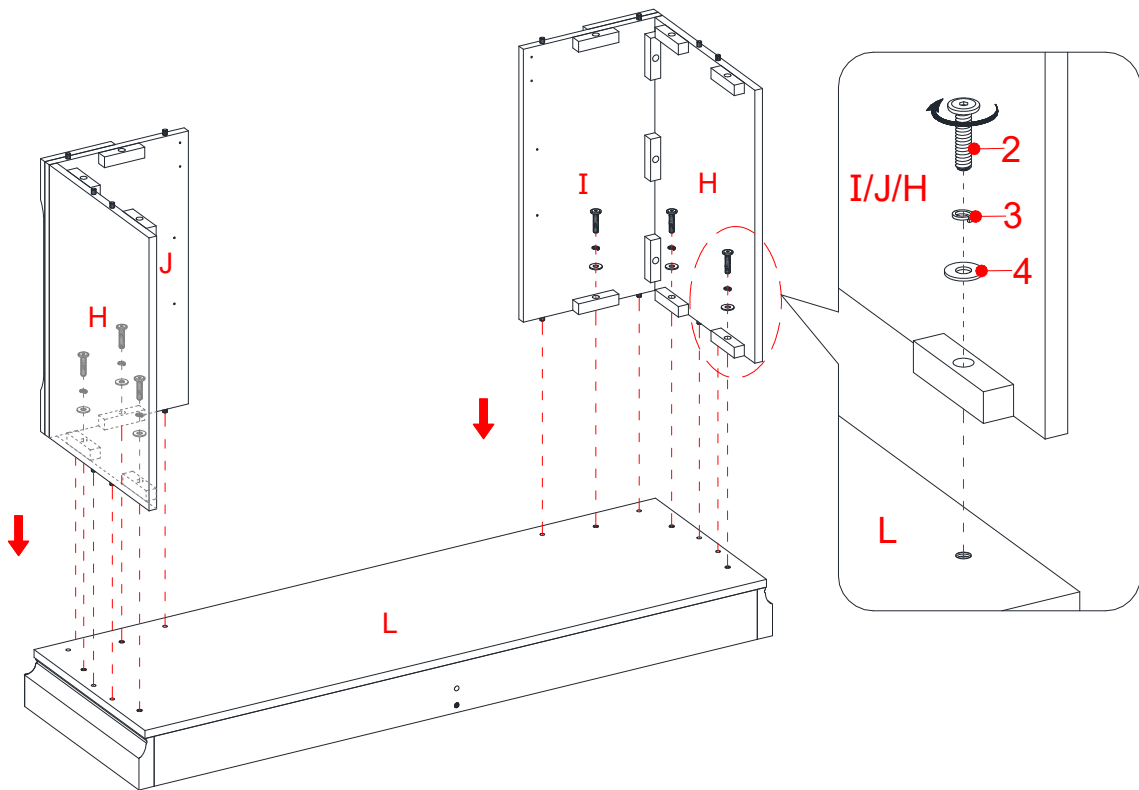


6. Using the pilot holes as a guide, attach four Mending Plates (12) to the Middle Crossbar (K) with four 12 mm Screws (6).

## Assembly Instructions

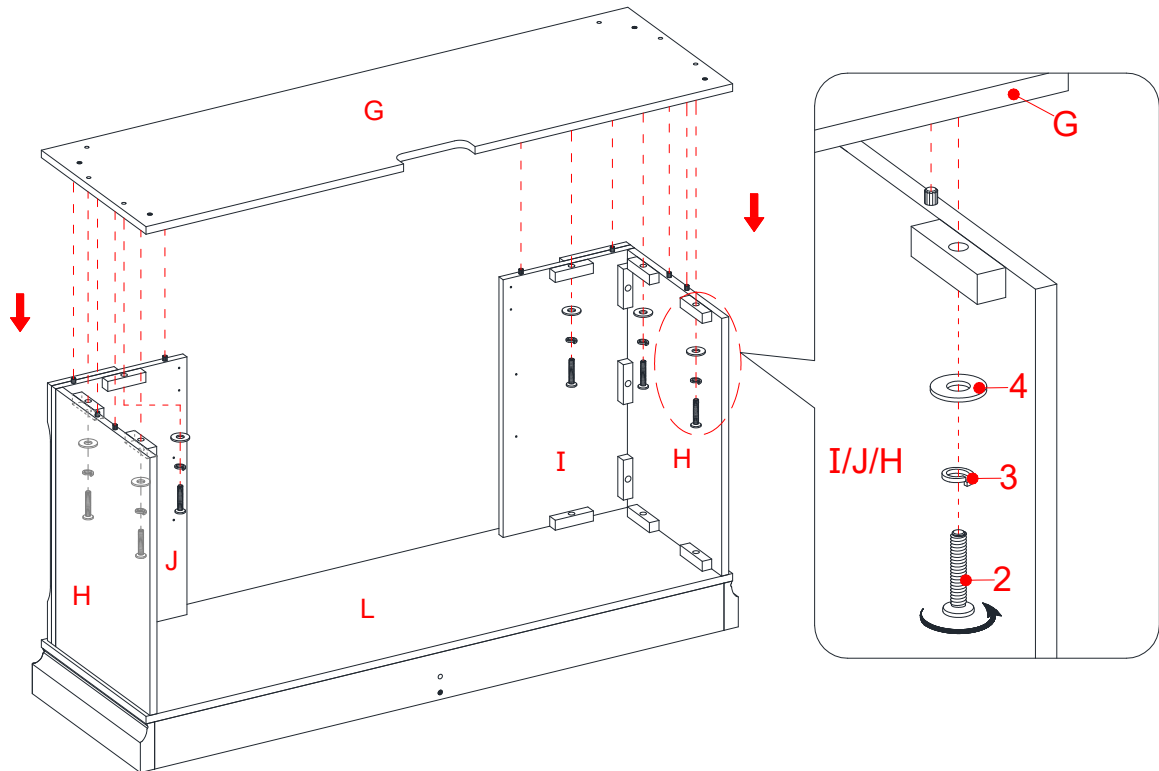


- Align and attach the Middle Crossbar (K) to the Media Shelf (G) with two 32 mm Bolts (2) and two Washers (3 and 4).

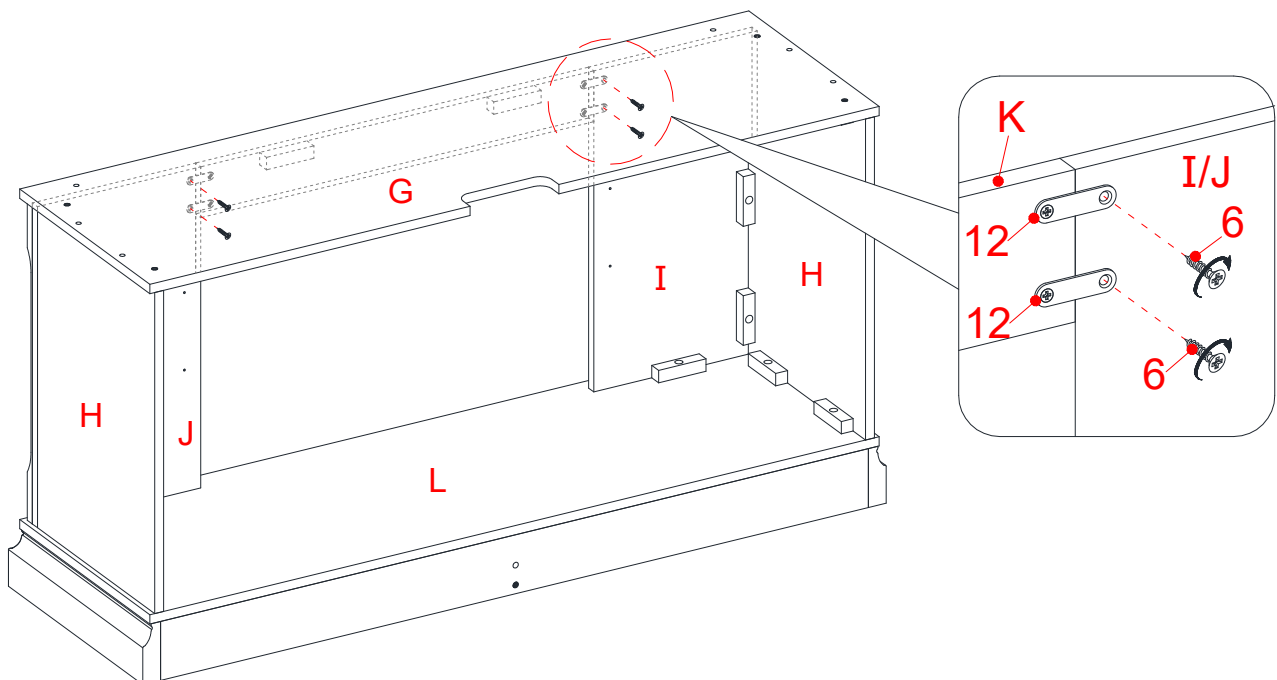


- Using the wood dowels as a guide, attach the Lower Side Panels (H) and Lower Side Moldings (I and J) to the Base (L) with six 32 mm Bolts (2) and six Washers (3 and 4).

## Assembly Instructions



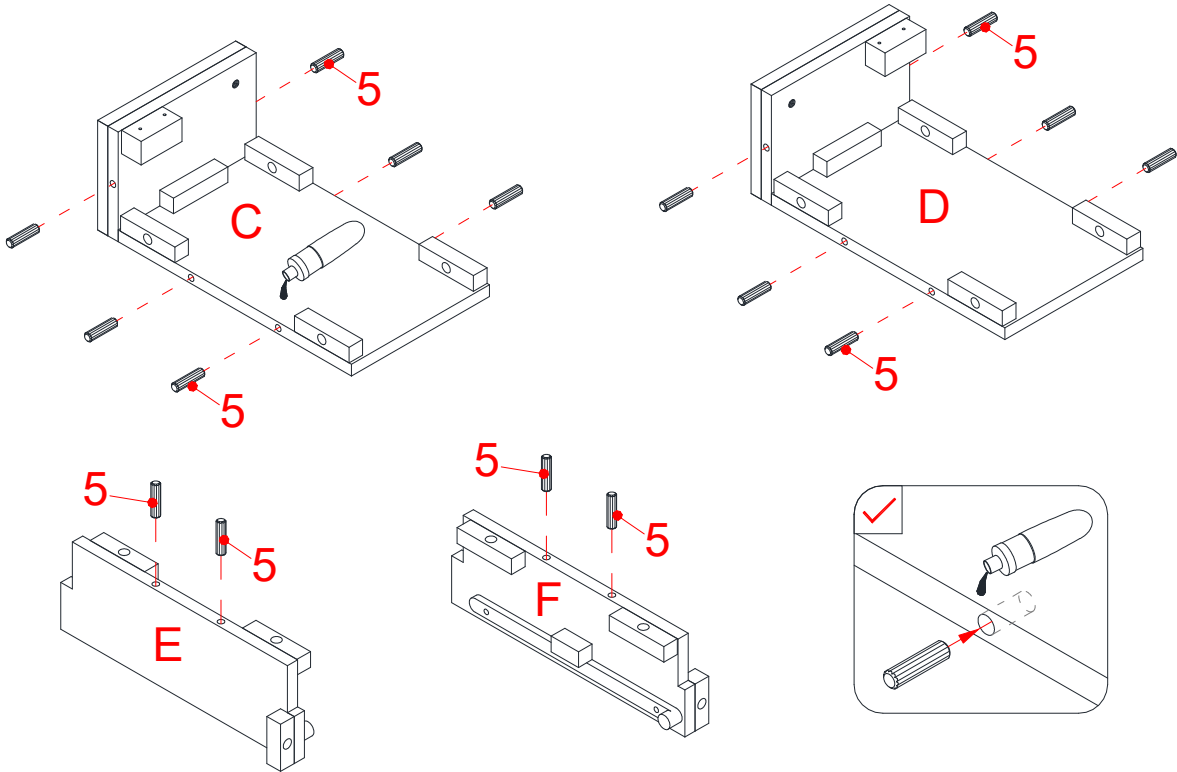
9. Place the Media Shelf (G) onto the inserted Wood Dowels (5) on the vertical panels and fasten it in place with six 32 mm Bolts (2) and six Washers (3 and 4).



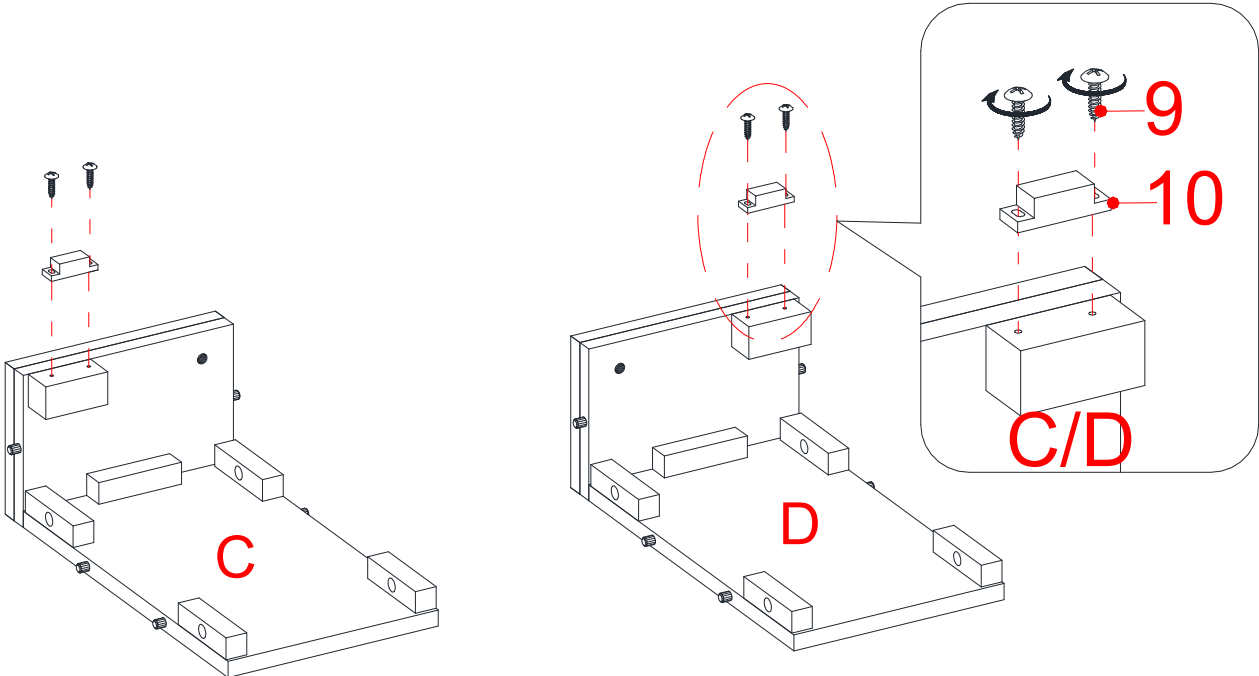
10. Using the pilot holes as a guide, fasten the Mending Plates (12) attached on the Middle Crossbar (K) to the Lower Side Moldings (I and J) with four 12 mm Screws (6).



# Assembly Instructions

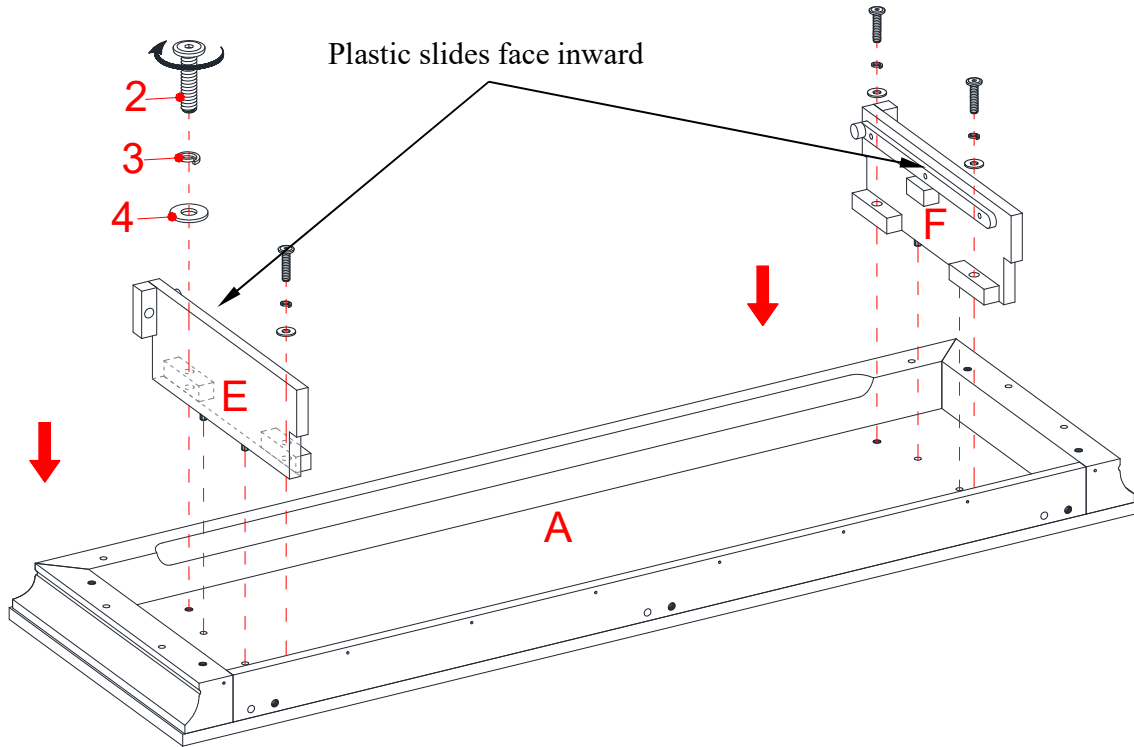


11. Glue the wood dowels into the inner holes on the Upper Side Frames (C and D) and Upper Partition Panels (E and F) as shown.

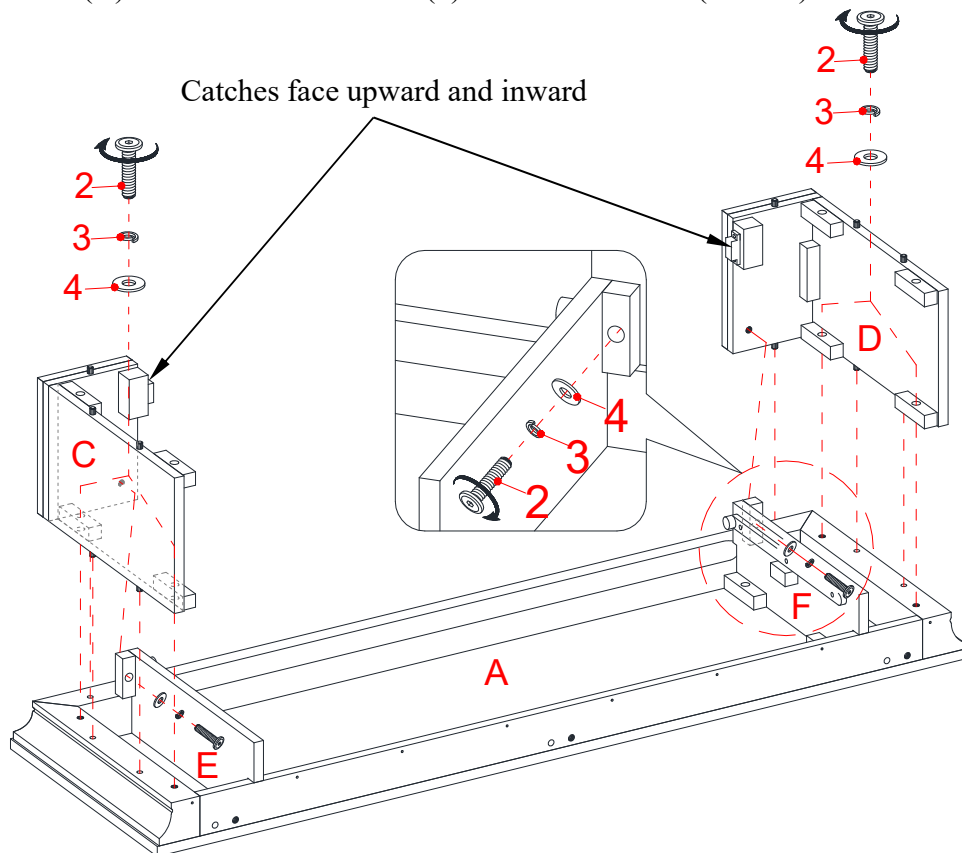


12. Using the pilots holes as guide, fasten the Magnetic Catches (10) to the Upper Side Frames (C and D) with two 15 mm Pan Head Screws (9) in each.

## Assembly Instructions

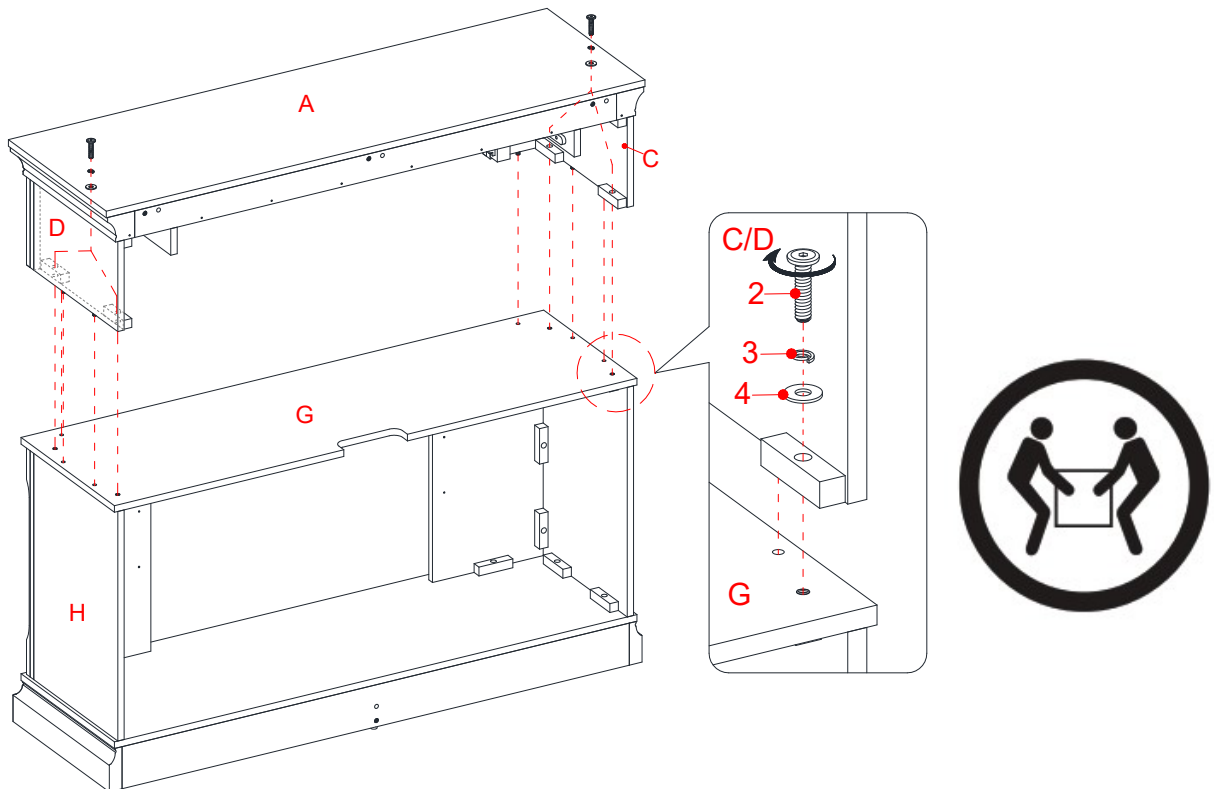


13. Place the Top Panel (A) upside down on a protected surface and attach the Upper Partition Panels (E and F) to the Top Panel (A) with four 32 mm Bolts (2) and four Washers (3 and 4).

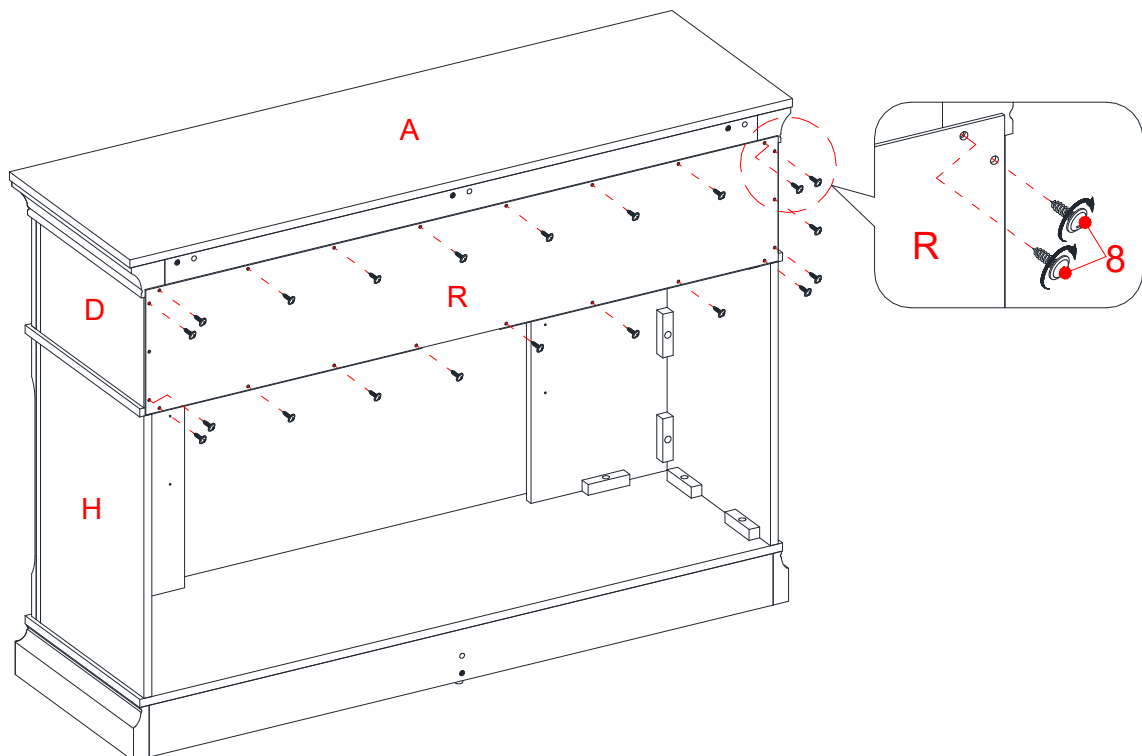


14. Align and attach the Upper Side Frames (C and D) to the Top Panel (A) with four 32 mm Bolts (2) and four Washers (3 and 4).
15. Insert the 32 mm Bolts (2) with the Washers (3 and 4) through the cleats on the Upper Partition Panels (E and F) and screw into the upper front panels (C and D).

## Assembly Instructions



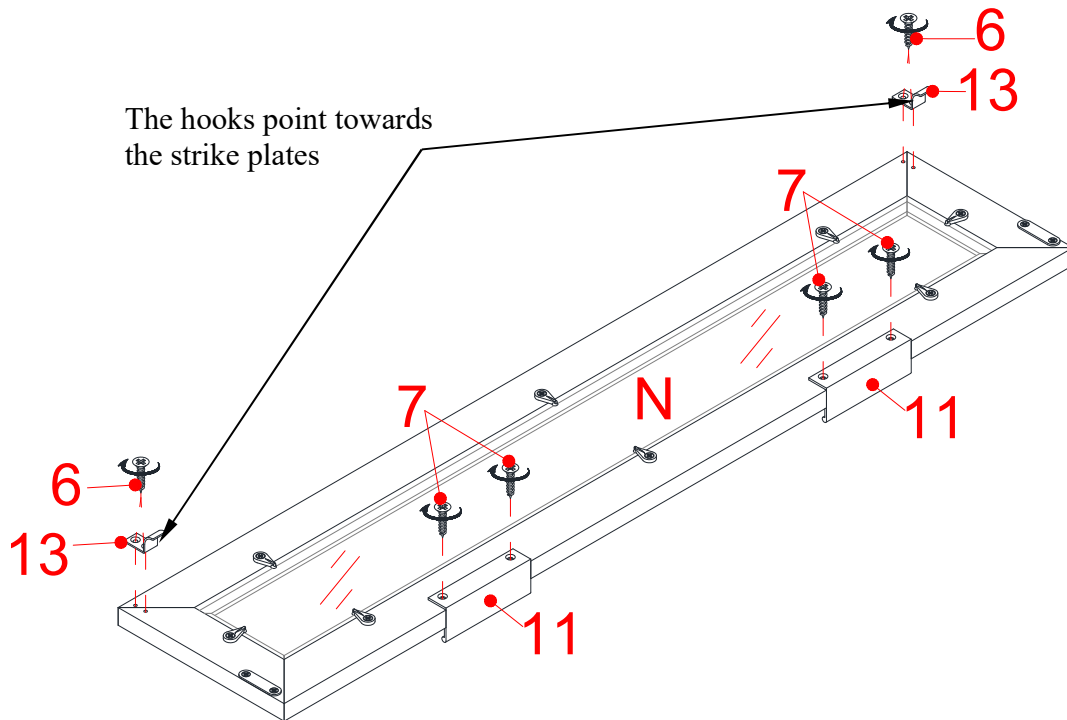
16. Attach the previous assembly to the Media Shelf (G) with four 32 mm Bolts (2) and four Washers (3 and 4).



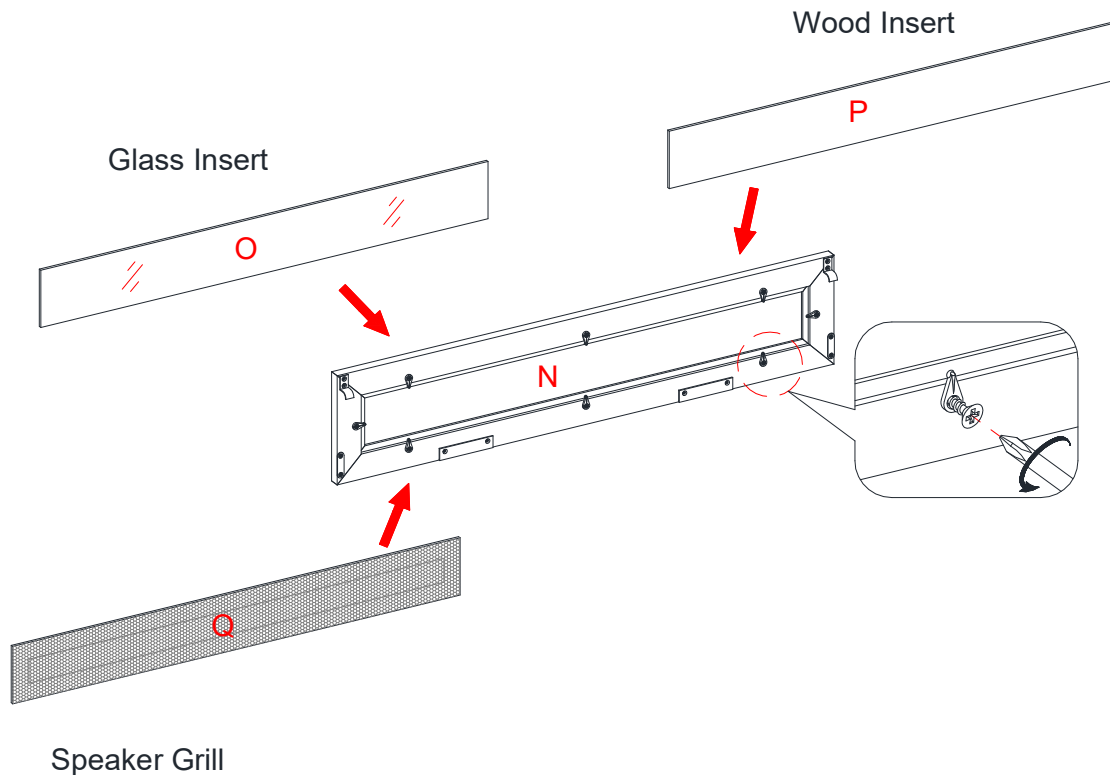
17. Now, go back and securely tighten all the bolts and screws. Make sure that all the parts are tight and there are no gaps between the parts. This will help keep the unit square.
18. Pick up the Back Panel (R) and align the pre-drilled holes against the upper long edge with the pilot holes on the back rail of the Top Panel (A). Attach the Back Panel (R) in place with the provided 15 mm Washer Head Screws (8).

**NOTE:** We recommend attaching back panel with washer head screws at the corners first.

## Assembly Instructions



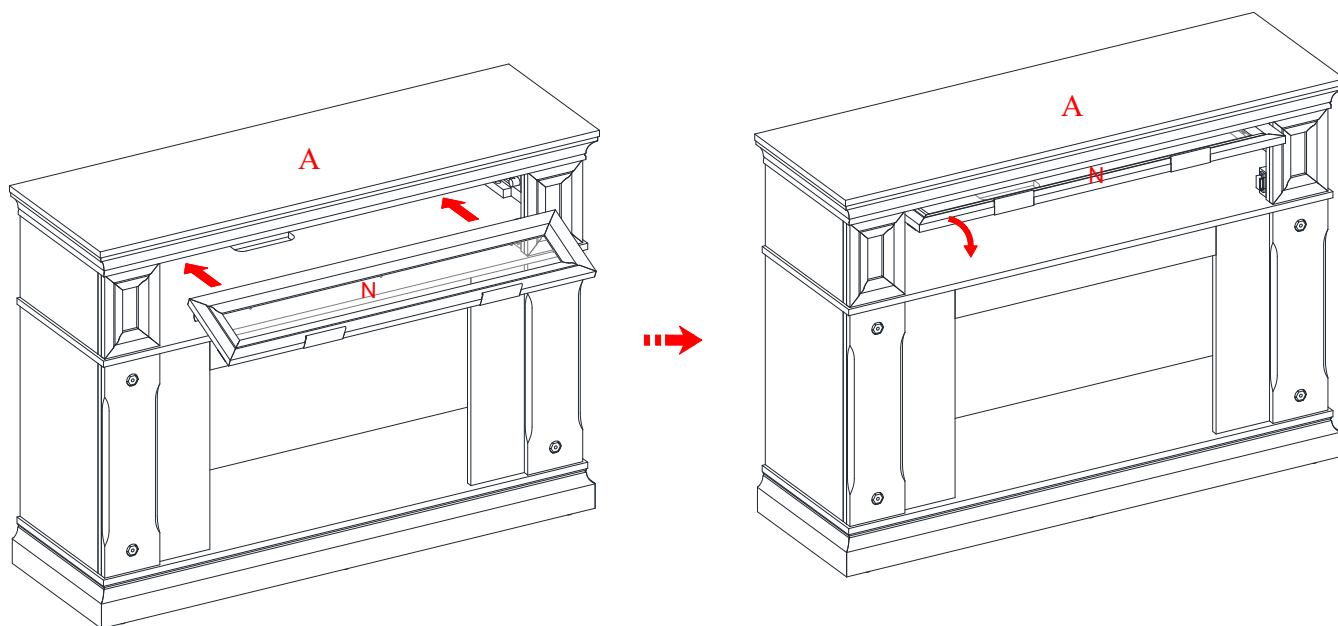
19. Using the pilot holes as a guide, fasten two Hooks (13) to the upper corners of the Barrister Door (N) with four 12 mm Screws (6) as shown.
20. Attach two Handles (11) to the Barrister Door (N) with four 15 mm Flat Head Screws (7).



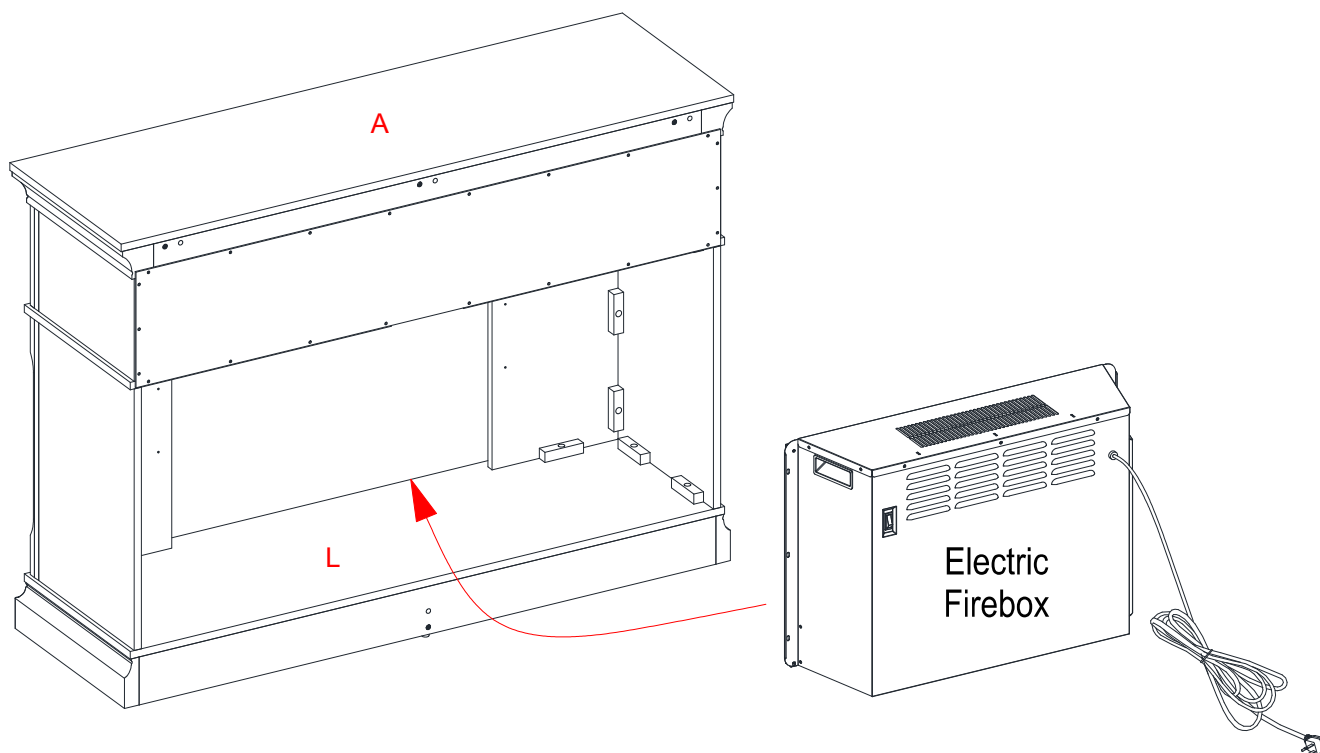
**NOTE:** The barrister door is shipped with the Glass Door Insert (O). You can keep the door as it is or interchange with the Wood Door Insert (P) or Speaker Grill (Q) depending on your configuration.

21. To change the configuration, loosen the screws on the inside of Barrister Door (N) and rotate the clips to remove the door insert. Replace with the desired door insert or speaker grill, then rotate clips to secure the panel or speaker grill within the door frame and tighten screws.

## Assembly Instructions

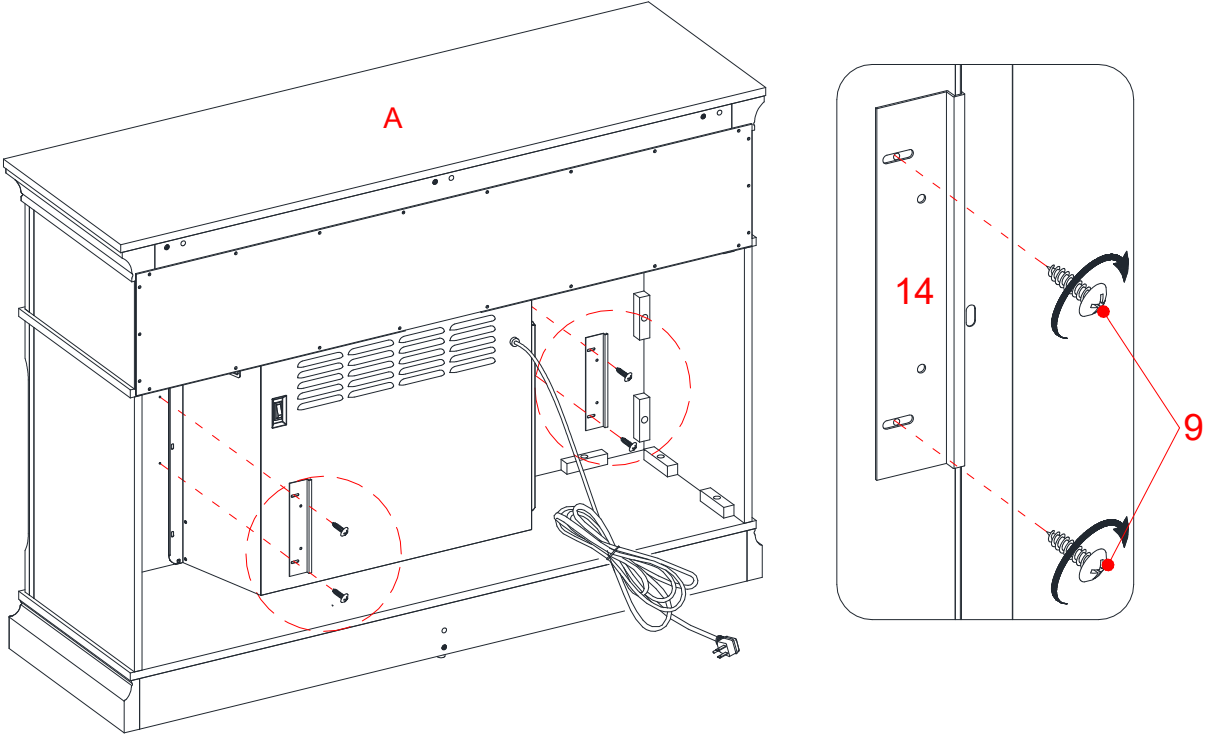


22. Hook the Barrister Door (N) onto the pre-attached plastic slides on the Upper Partition Panels (E and F) and tuck it underneath the Top Panel (A) in one smooth motion.

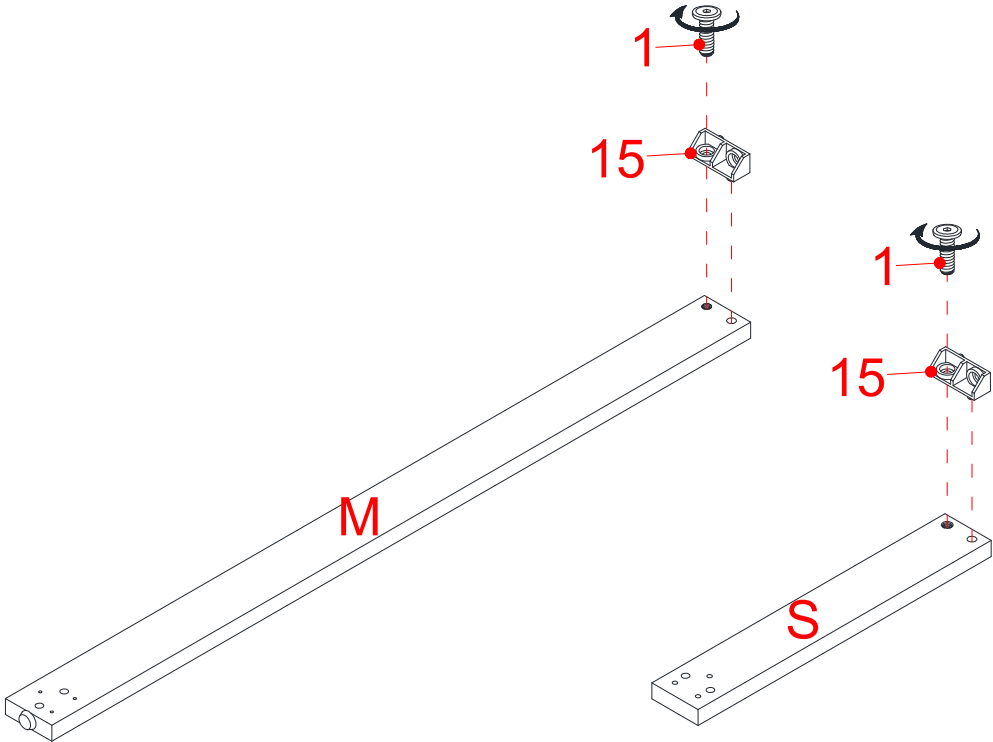


23. Lift the fireplace insert carefully into the back of the assembled mantel and center it in the opening. **DO NOT** drag the insert across the Base (L) as it may scratch the unit.

# Assembly Instructions

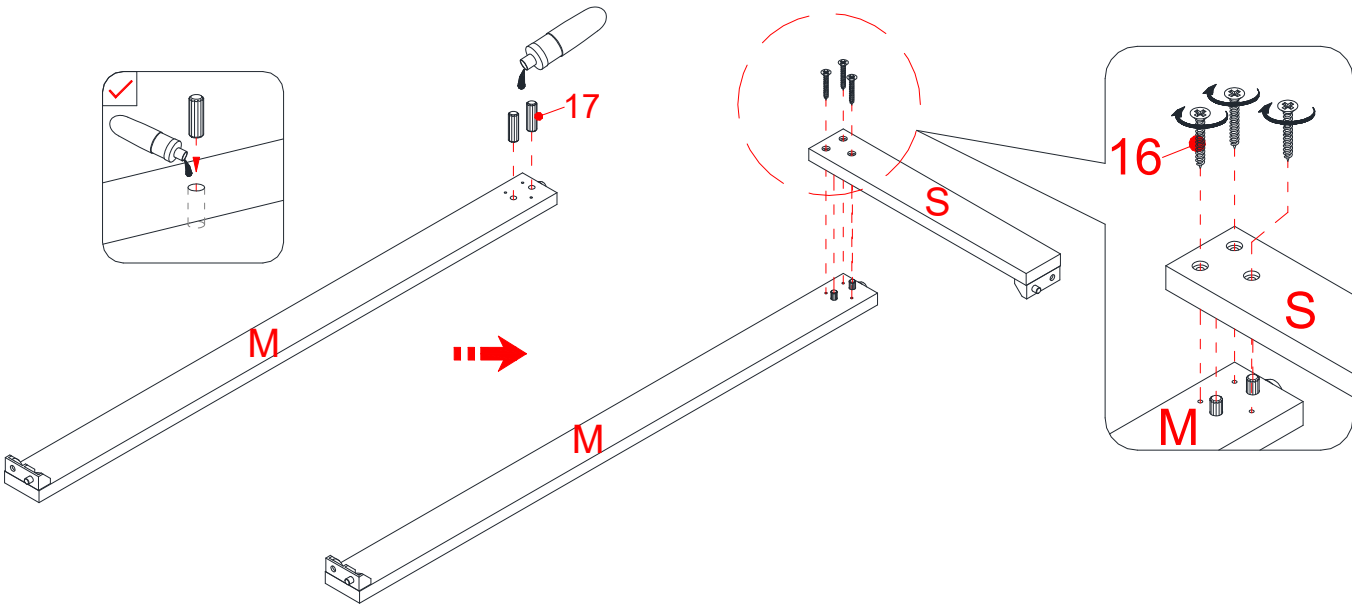


24. Using the pilot holes as a guide, fit two Metal Brackets (14) onto the side plates of the fireplace insert and fasten them into place with four 15 mm Pan Head Screws (9).

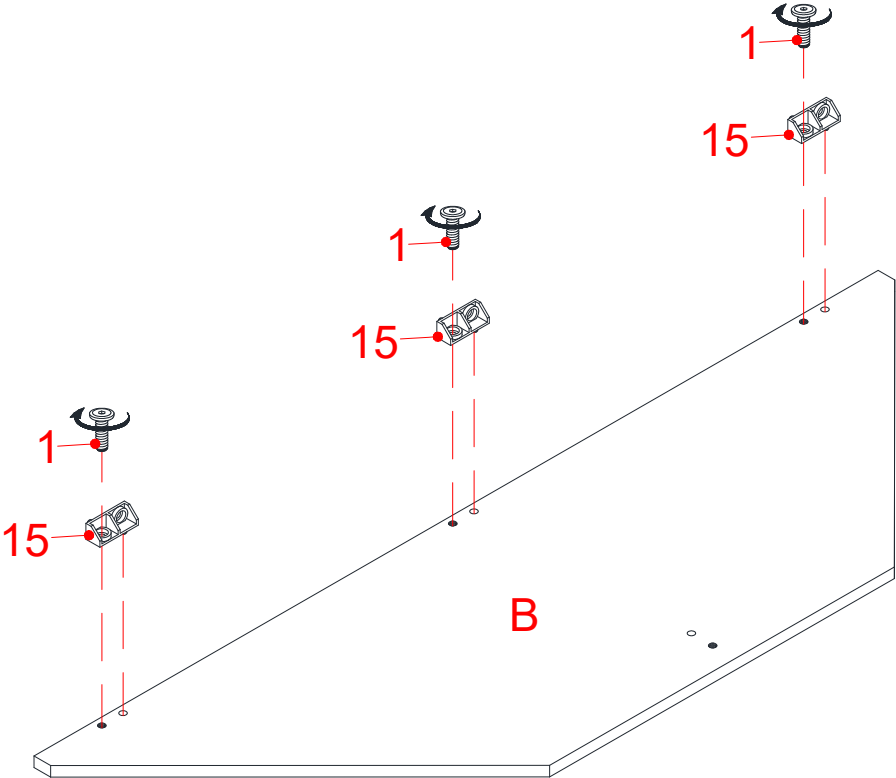


25. Attach one Connector (15) to the end of each Corner Support (M and S) with one 15 mm Bolt (1) as shown.

# Assembly Instructions

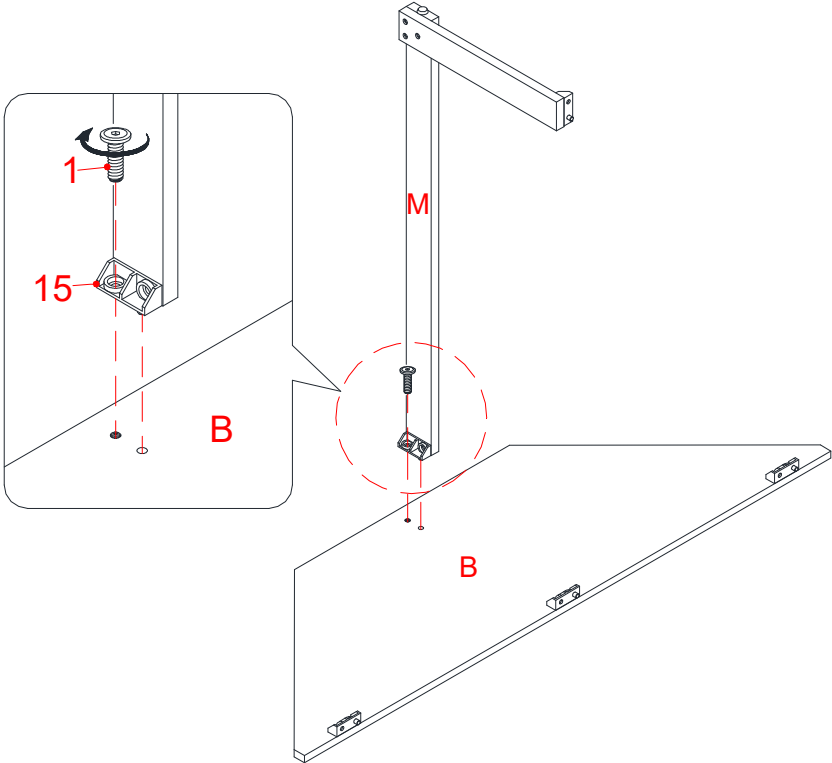


- 26. Glue two Short Wood Dowels (17) into the inner holes on the Long Corner Support (M).
- 27. Attach the Short Corner Support (S) to the Long Corner Support (M) with three 25 mm Screws (16).

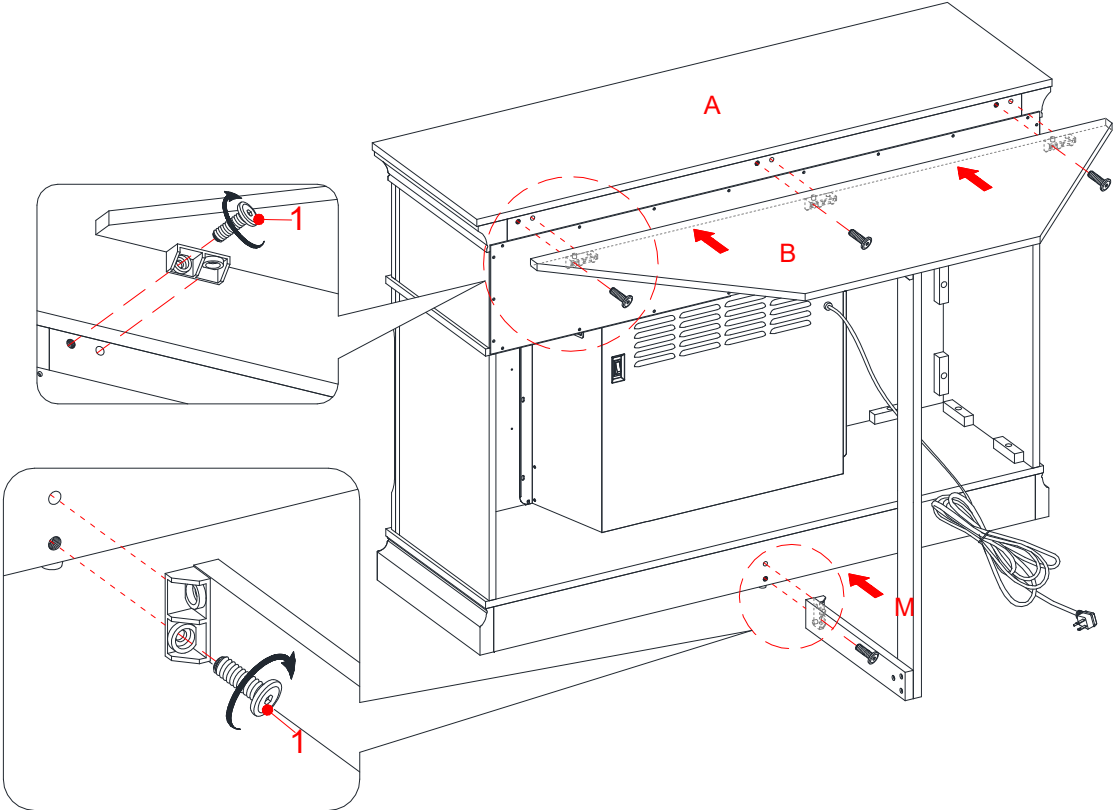


- 28. Attach three Connectors (15) to the Top Corner Extension (B) with three 15 mm Bolts (1).

# Assembly Instructions



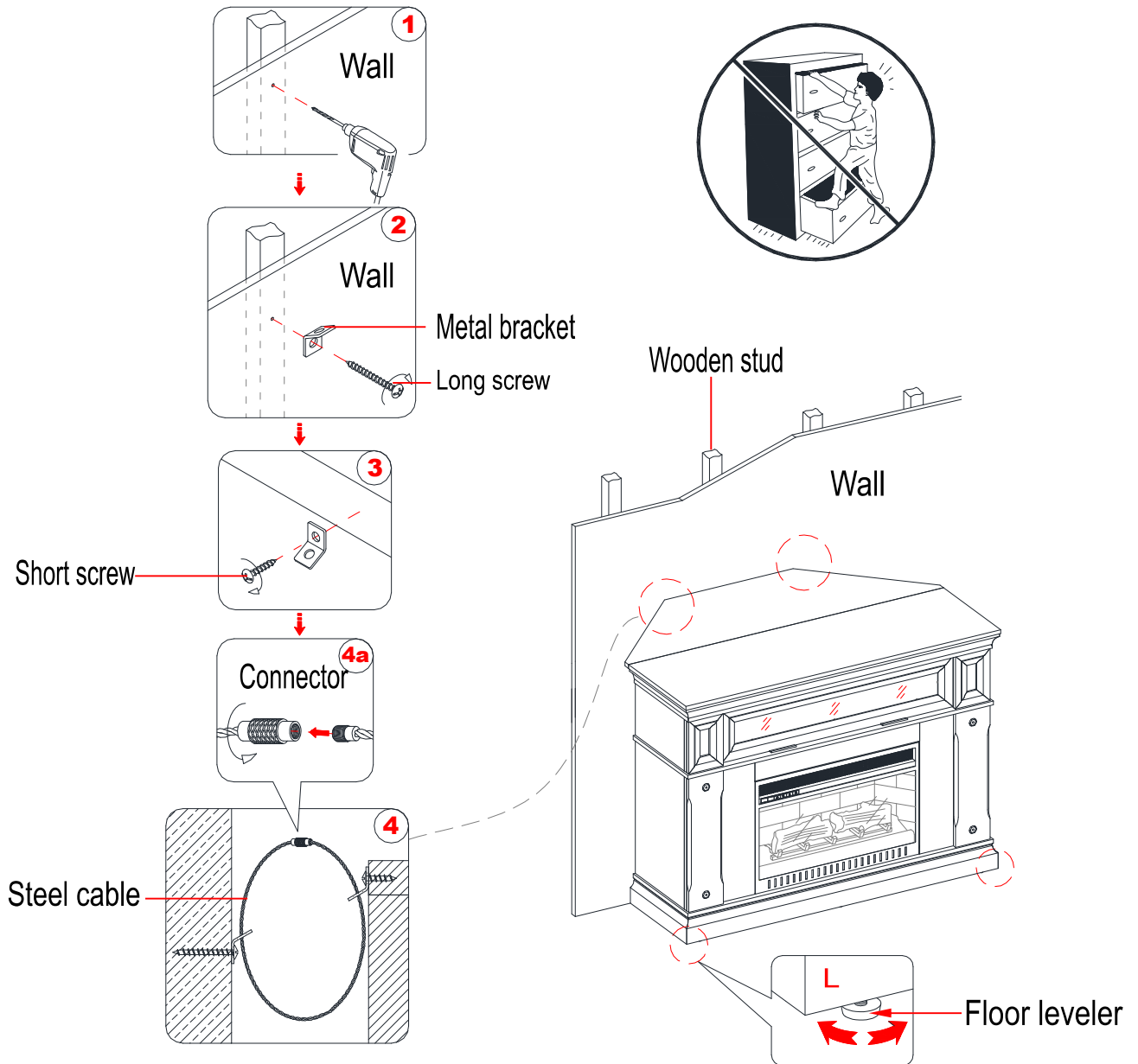
29. Attach the Long Corner Support (M) to the Top Corner Extension (B) with one 15 mm Bolt (1).



30. Align and attach the assembled Corner Extension to the Top Panel (A) and the Base (L) with four 15 mm Bolts (1).



## Assembly Instructions



**Tools required (not provided):** Phillips screwdriver, stud finder, tape measure, pencil, power drill and 1/8" drill bit.

31. Ask for assistance to position the assemble fireplace at the desired location against a wall. If necessary, adjust the pre-attached Floor Levelers at the Base (L) to level the unit.
32. Now, follow the instructions printed on the plastic bag containing the Tipping Restraint Hardware to attach the tip-over restraints to the unit and the wall.

**NOTE:** The tipping restraint hardware included is for wooden stud wall construction. It must be attached to a wall stud. Depending upon your wall construction, different anchor hardware may be required. Please contact your local hardware store for assistance. Young children can be seriously injured by tipping furniture. You must install the tipping restraint hardware with the unit to prevent the unit from tipping, causing any accidents or damage. The tipping restraints are intended only as a deterrent, they are not a substitute for proper adult supervision. The tipping restraints are not earthquake restraints. If you wish to add the extra security of earthquake restraints, they must be purchased and installed separately.

33. Connect the fireplace to the power transformer. Follow the operating manual for the electric fireplace insert to control your fireplace.

## Care and Maintenance

- Use a soft, clean cloth that will not scratch the surface when dusting.
- Use of furniture polishes is not necessary. Should you choose to use polishes, test first in an inconspicuous area.
- Using solvents of any kind on your furniture may damage the finish.
- Never use water to clean your furniture as it may cause damage to the finish.
- Always use coasters under beverage glasses and flowerpots.
- Liquid spills should be removed immediately. Using a soft, clean cloth, blot the spill gently. Avoid rubbing.
- Always use protective pads under hot dishes and plates. Heat can cause chemical changes that may create spotting within the furniture finish.
- Stains or marks from crayons or ink markers will be difficult to remove.
- In the event that your furniture is stained or otherwise damaged during use, we recommend that you call a professional to repair your furniture.
- Check bolts/screws periodically and tighten them if necessary.

## WARNING

Please use your furniture correctly and safely. Improper use can cause safety hazards, or damage to your furniture or household items. Carefully read the following safety information.

This unit is not intended for use with CRT TVs. The top surface maximum weight capacity is 70 lbs. (31.8 kg) and maximum load 58 in. (147.3 cm) diagonal flat-panel TV. The shelf maximum recommended weight allowance is 50 lbs. (22.7 kg). Use with heavier televisions may result in instability causing tip over resulting in death or serious injury.

Death or serious injury may occur when children climb on audio and/or video equipment furniture. A remote control or toys placed on the furnishing may encourage a child to climb on the furnishing and as a result may tip over onto the child.

**NEVER** allow children to climb or play with the TV or furnishing supporting the TV.

**NEVER** place toys, food, remote, etc. on top of the TV or TV furnishing.

**ALWAYS** use either the safety hardware as instructed or other wall anchoring device.

Relocating audio and/or video equipment to furniture not specifically designed to support audio and/or video equipment may result in death or serious injury due to furniture collapse or over turning onto a child.

**NEVER** place a TV on furniture that is not intended to support a TV.

**NEVER** exceed the maximum size and weight of the TV shown in the instructions.

Be sure to refer to the TV warning label as shown in the instructions.

Overloading drawers and shelves may result in furniture that can break or sag, or tip-over which may result in injury.

**NEVER** exceed the weight limits shown in the instructions.

Place the heavier items on lower shelves as far back from the front as possible.

Load the bottom surfaces first to avoid top-heavy furniture.

Moving furniture that is not designed to be moved or equipped with casters may result in injury or damage to furnishings or personal property.

**ALWAYS** unload shelves and drawers, starting with the top surfaces, before moving.

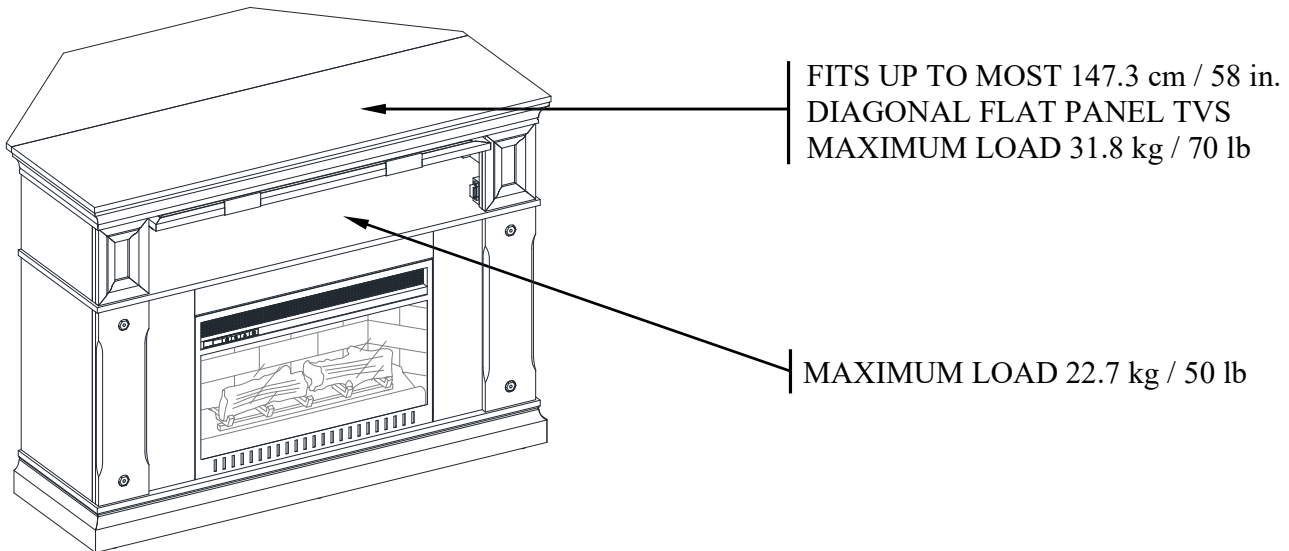
**NEVER** push or pull furniture on carpet. Have a friend help lift properly to move and/or reposition it.

The stand is not meant as a seat and no one should be sitting or standing on the stand.

Clean the metal trim using a soft cloth, slightly dampened with citrus oil-based product and buff with a clean soft cloth. **DO NOT** use brass polish or household cleaners as these products will damage the metal trim. Citrus oil-based products can be obtained at supermarkets or hardware stores.

## MAXIMUM RECOMMENDED WEIGHT LOADS

MANUFACTURER: Whalen Furniture Manufacturing  
CATALOG: Amesville 50" Fireplace Console  
MODEL #: MNFP50AV261A / MNFP50AV261B



**WARNING** THIS UNIT IS NOT INTENDED FOR USE WITH CRT TVS. USE ONLY WITH FLAT PANEL TVS AND AUDIO/VIDEO EQUIPMENT MEETING RECOMMENDED SIZE AND WEIGHT LIMITS. NEVER USE WITH LARGER/HEAVIER THAN RECOMMENDED FLAT PANEL TVS OR EQUIPMENT. TO AVOID INSTABILITY, PLACE FLAT PANEL TV IN THE CENTER OF THE UNIT; THE BASE OF THE TELEVISION MUST BE ABLE TO REST ON THE SUPPORTING SURFACE OF THE UNIT WITHOUT OVER-HANGING THE EDGES. IMPROPERLY POSITIONED FLAT PANEL TVS, OR FLAT PANEL TVS INCLUDING OTHER EQUIPMENT THAT EXCEED RECOMMENDED SIZE AND WEIGHT LIMITS COULD FALL OFF OR BREAK THE UNIT, CAUSING POSSIBLE SERIOUS INJURY. FOR USE WITH TELEVISIONS WEIGHING 70 LBS (31.8 KG) OR LESS. USE WITH HEAVIER TELEVISIONS MAY RESULT IN INSTABILITY CAUSING TIP OVER RESULTING IN DEATH OR SERIOUS INJURY.

### QUALITY GUARANTEE

We are confident that you will be delighted with your Whalen Furniture purchase.

Should this product be defective in workmanship or materials or fail under normal use, we will repair or replace it for up to one (1) year from date of purchase. Every Whalen Furniture product is designed to meet your highest expectations. We guarantee that you will immediately see the value of our fine furniture.

This warranty gives you specific legal rights and you may also have other rights which vary from state to state or province to province.

Whalen Furniture Manufacturing,  
1578 Air Wing Road  
San Diego CA, 92154 USA  
Customer Service: 1-866-942-5362  
8:30 a.m. - 4:30 p.m., PST, Monday to Friday  
[www.whalenfurniture.com](http://www.whalenfurniture.com)