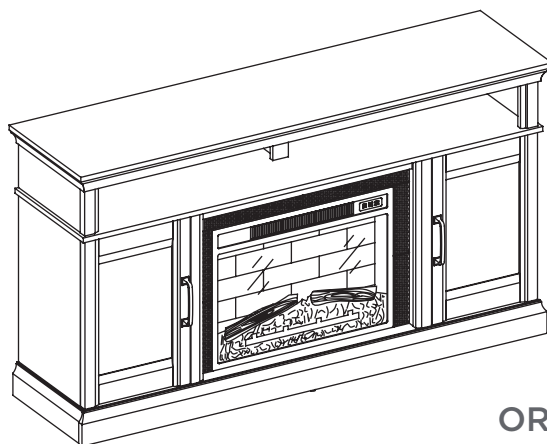


# CANVAS<sup>TM/MC</sup>

## 60" ABBOTSFORD MEDIA FIREPLACE

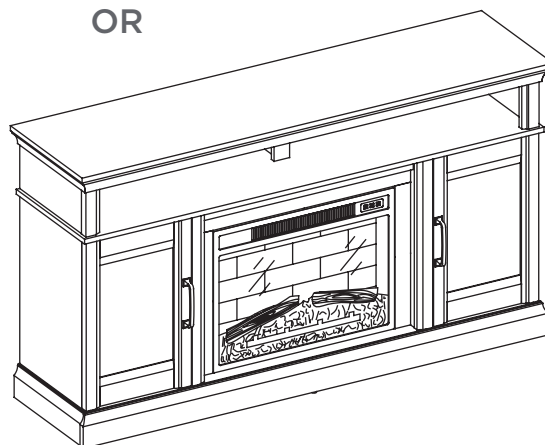
---

MODEL NO. 064-4015-0



FAUX STONE SURROUND

OR



WOOD SURROUND

### ASSEMBLY INSTRUCTIONS



**HAVING TROUBLE?**

TOLL-FREE:

1-888-670-6684

# CANVAS™

INSPIRED BY CANADA



We believe in the power of décor and its ability to make up the fabric of your home.

That's why **CANVAS®** collections draw **inspiration from Canadians and the way they live.**

From on-trend furniture pieces to holiday décor and all your outdoor living essentials, **CANVAS®** makes it easy to refresh your space to reflect **your unique style and the way you live every day.**

We would love to hear from you and welcome your thoughtful feedback. Visit our website at [canadiantire.ca](http://canadiantire.ca) to tell us about your experience, and share your photos with us using **#mycanvasstyle.**

Show us how you bring **CANVAS®** products to life. We can't wait to see!

## TABLE OF CONTENTS

Safety Information .....	4
Parts List .....	6
Step-by-step Guide .....	10
Operating Instructions .....	44
Cleaning and Maintenance .....	49
Troubleshooting .....	50
Warranty Information .....	51



WARNING! TO REDUCE THE RISK OF SERIOUS INJURY, READ THE FOLLOWING SAFETY INSTRUCTIONS BEFORE ASSEMBLING AND OPERATING THIS FIREPLACE.

When using electrical appliances, basic precautions should always be followed to reduce the risk of fire, electric shock and injury to persons, including the following:

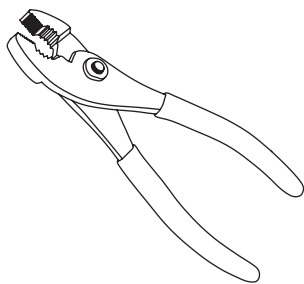
- If the information in this manual is not followed exactly, an electric shock or fire may result causing property damage, personal injury or loss of life.
- This appliance is hot when in use. To avoid burns, do not let bare skin touch hot surfaces. Keep combustible materials, such as furniture, pillows, bedding, papers, clothes and curtains, at least 3' (0.9 m) from the front of the heater and keep them away from the sides and rear.
- Extreme caution is necessary when any heater is used near children or by individuals with disabilities and whenever the fireplace is left operating and unattended.
- Do not run cord under carpeting. Do not cover cord with throw rugs, runners, or similar covering. Arrange cord away from traffic areas and where it will not be tripped over.
- Do not insert or allow foreign objects to enter any ventilation or exhaust opening as this may cause an electric shock or fire, or damage the appliance.
- This appliance has hot and arcing or sparking parts inside. Do not use it in areas where gasoline, paint or flammable vapours or liquids are used or stored.

This fireplace should not be used as a drying rack for clothing.  
Christmas stockings or decorations should not be hung on it or near it.

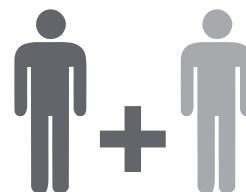
## TOOLS REQUIRED



Cross-head  
Screwdriver



Pliers



2 people

## SAFETY INFORMATION

### IMPORTANT SAFETY INFORMATION

Use this appliance only as described in the manual. Any other use is not recommended by the manufacturer and may cause fire, electric shock or injury to persons. Read all instructions before installing or using the fireplace.

1. Read all instructions before using this heater.
2. Do not use this heater outdoors.
3. This heater is not intended for use in bathrooms, laundry areas and similar indoor locations. Never locate the heater where it may fall into a bathtub or other water container.
4. Do not run the power cord under carpeting. Do not cover the power cord with throw rugs, runners, or the like. Arrange the power cord away from traffic areas and where it will not be tripped over.
5. To disconnect the heater, turn controls to off, then remove the plug from the outlet.
6. Connect to properly grounded outlets only. Always plug heaters directly into a wall outlet/receptacle. Never use with an extension cord or relocatable power tap (outlet/power strip).
7. To prevent a possible fire, do not block firebox air intakes or the exhaust in any manner. Do not operate the firebox on soft surfaces, like a bed, where openings may become blocked.
8. There is a thermostat limiter inside the heater. When the inner temperature

overheats or abnormal heating occurs, the thermostat protective device cuts off the power supply to avoid fireplace damage and reduce the risk of fire.

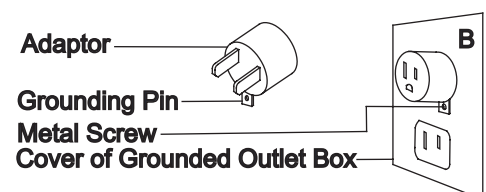
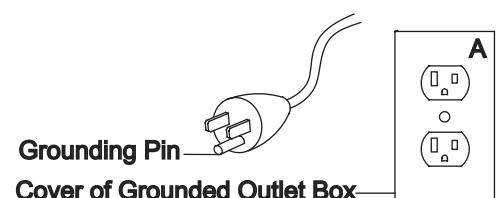
9. Use this heater only as described in this manual. Any other use not recommended by the manufacturer may cause fire, electric shock, or injury to persons.
10. If possible, always unplug this appliance when not in use.
11. Do not operate any heater with a damaged cord or plug or after the heater malfunctions.
12. Do not operate any heater if it has been dropped or damaged in any manner. Disconnect power at service panel and have heater inspected by a reputable electrician before reusing.
13. Any repairs to this fireplace should be carried out by a qualified service person.
14. Under no circumstances should this fireplace be modified. Parts having to be removed for servicing must be replaced prior to operating this fireplace again.
15. Only connect to properly grounded outlets.
16. This appliance, when installed, must be electrically grounded in accordance with local codes, with the current CSA C22.2 Canadian Electrical Code or follow the National Electrical Code, ANSI/NFPA N0.70.
17. The heater must not be located immediately below a wall outlet/receptacle.
18. Do not slide insert on top of wood to avoid scratching wood surface.
19. Do not place any objects on top of insert and top air intake vents as this will cause unit to overheat and can cause a fire.

## SAVE THESE INSTRUCTIONS

A 15 A, 120 V, 60 Hz circuit with a properly grounded outlet is required. Preferably, the fireplace should be on a dedicated circuit as other appliances on the same circuit may cause the circuit breaker to trip or the fuse to blow when the heater is in operation. The unit comes standard with 6' (1.8 m) three-wire cord, exiting from the rear of the fireplace. Do not exceed the current rating of the current tap. Always plug heaters directly into a wall outlet/receptacle. Never use with an extension cord or relocatable power tap (outlet/power strip).

- This heater is for use on a 120 V outlet. The cord has a plug as shown. See illustration for grounding instructions. An adaptor as shown in Fig. B is available for connecting three-blade grounding type plugs to two-slot receptacles. The green grounding plug extending from the adaptor must be connected to a permanent ground such as a properly grounded outlet box. The adaptor should not be used if a three-slot grounded receptacle is available.

**NOTE: The use of grounded adapters are banned in certain jurisdictions in Canada due to safety concerns. Use of grounded adapters on two-slot receptacles is unsafe and should only be installed by a certified electrician. Check with local laws to ensure compliance with legal requirements.**

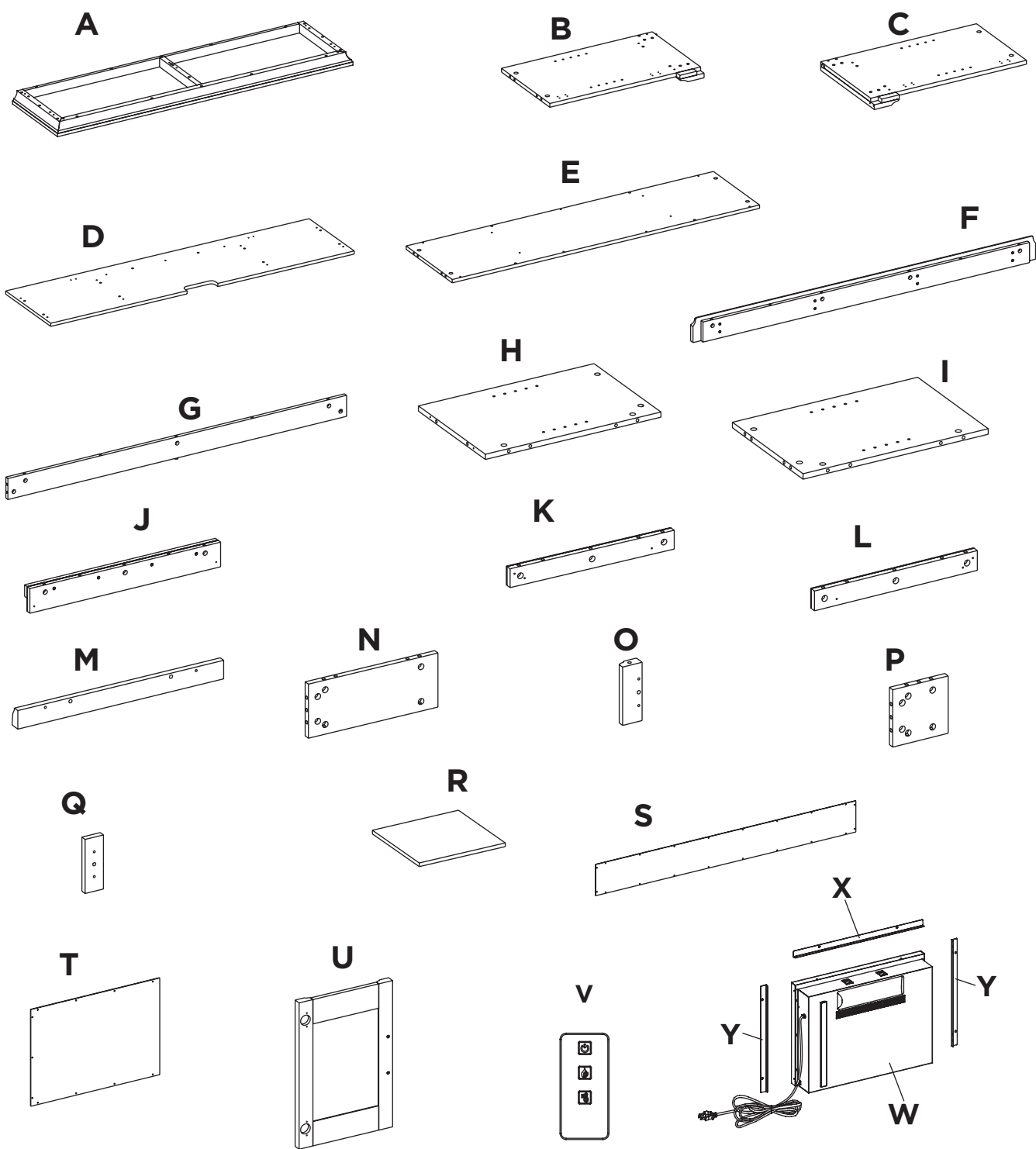


## PARTS LIST

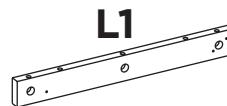
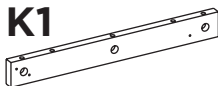
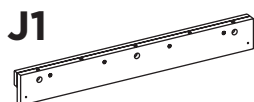
ITEM	DESCRIPTION	QUANTITY
A	Top Panel	1
B	Lower Left Side Panel	1
C	Lower Right Side Panel	1
D	Middle Shelf	1
E	Bottom Panel	1
F	Bottom Front Stretcher	1
G	Bottom Rear Stretcher	1
H	Lower Left Partition Panel	1
I	Lower Right Partition Panel	1
J	Faux Stone Middle Crossbar	1
K	Faux Stone Left Middle Stile	1
L	Faux Stone Right Middle Stile	1
M	Lower Partition Moulding	2
N	Upper Side Panel	2
O	Upper Side Panel Moulding	2
P	Upper Partition Panel	1
Q	Upper Partition Panel Moulding	1
R	Adjustable Shelf	2
S	Upper Back Panel	1
T	Lower Side Back Panel	2
U	Door Panel	2
V	Remote Control with Battery	1
W	Fireplace Insert	1
X	Top Trim	1
Y	Side Trim	2

## OPTIONAL WOOD SURROUND PARTS

J1	Wood Middle Crossbar	1
K1	Wood Left Middle Stile	1
L1	Wood Right Middle Stile	1



**OPTIONAL WOOD SURROUND PARTS**



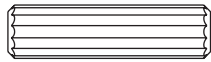
## PARTS LIST

ITEM	DESCRIPTION	QUANTITY
AA	Wood Dowel	49 + (5)
BB	Cam Lock	52 + (6)
CC	Cam Bolt	52 + (6)
DD	Short Flat-head Screw	4 + (1)
EE	Medium Flat-head Screw	4 + (1)
FF	Long Flat-head Screw	4 + (1)
GG	Door Stopper	2
HH	Washer-head Screw	42+ (5)
II	Metal Bracket	2
JJ	Triangle Metal Plate	2
KK	Floor Leveller	2
LL	Long Pan-head Screw	8 + (1)
MM	Shelf Support	8 + (1)
NN	Zinc Screw	24 + (3)
OO	Hinge	4
PP	Handle	2
QQ	Handle Bolt	4
RR	Cam Lock Cover	32 + (4)
SS	Acrylic Stopper	1
TT	Glue	2
UU	Touch-up Pen	1
VV	Tipping Restraint Hardware	2
ZZ	Short Pan-head Screw	12 + (3)

Hardware indicated in brackets ( ) are extra if needed.



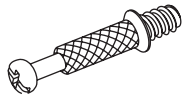
**AA**



**BB**



**CC**



**DD**



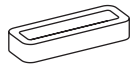
**EE**



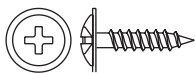
**FF**



**GG**



**HH**



**II**



**JJ**



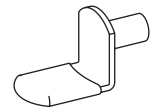
**KK**



**LL**



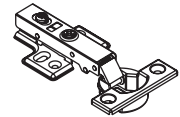
**MM**



**NN**



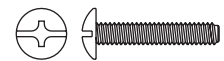
**OO**



**PP**



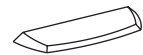
**QQ**



**RR**



**SS**



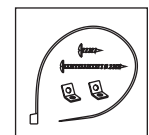
**TT**



**UU**



**VV**



**ZZ**



## STEP-BY-STEP GUIDE

### READ CAREFULLY BEFORE STARTING ASSEMBLY

This fireplace has two options for assembly.

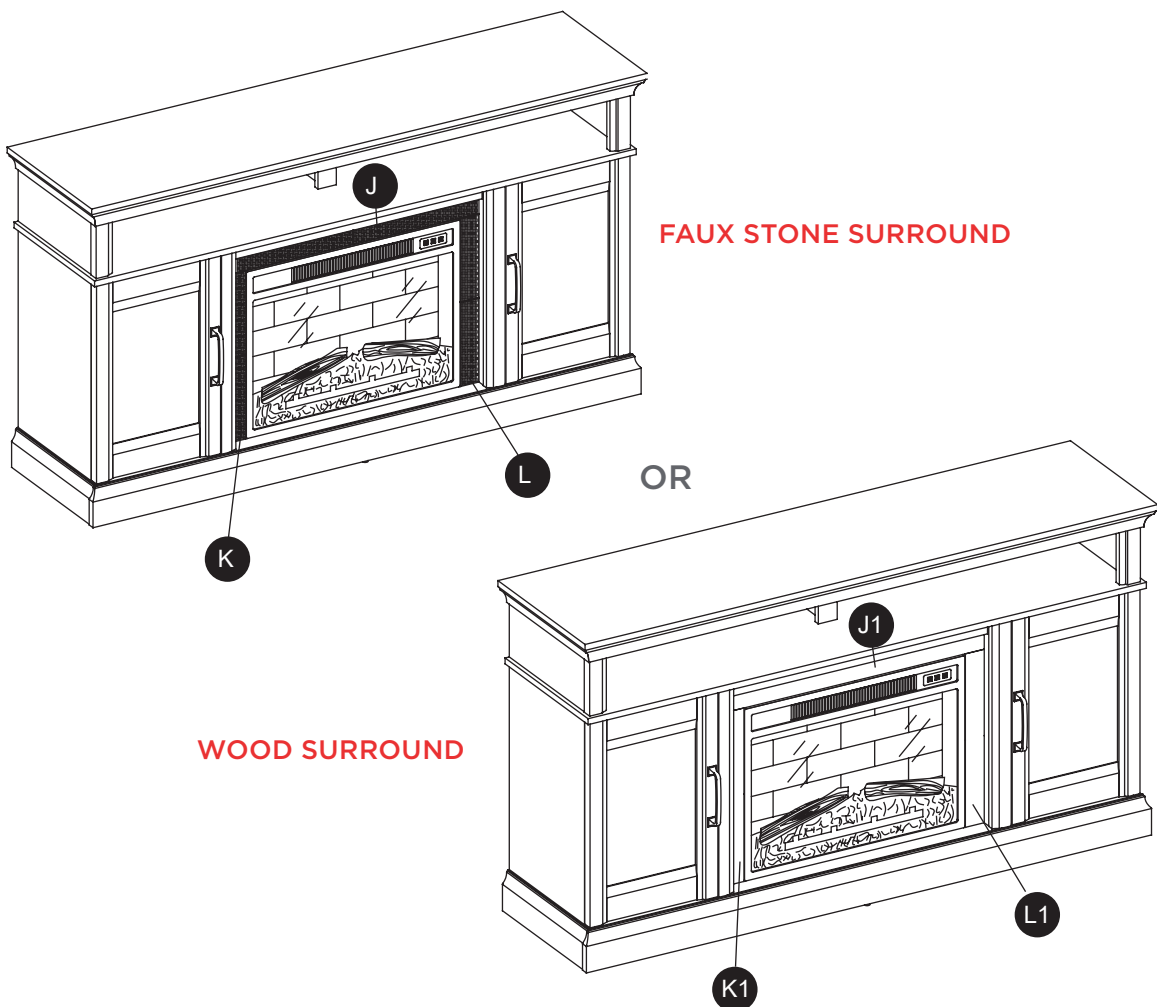
It can be assembled with FAUX STONE or WOOD to frame the insert.

If assembling with the FAUX STONE SURROUND, use parts J, K and L.

If assembling with the WOOD SURROUND, use parts J1, K1 and L1.

Choose one option before you begin assembly, and discard the parts you do not need.

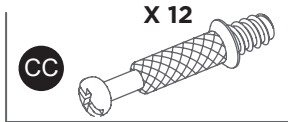
**Once assembled, this cannot be changed.**



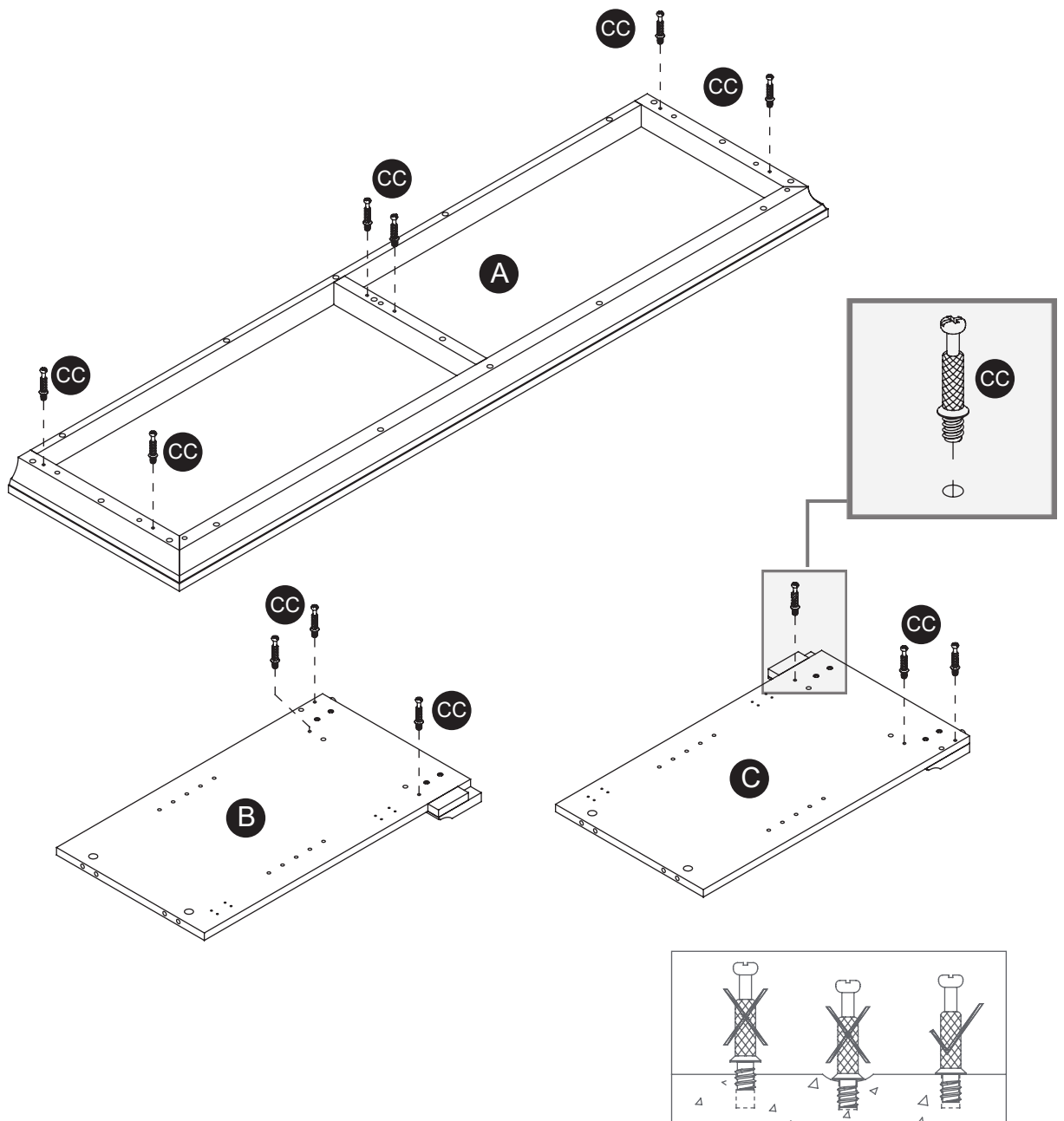
## STEP 1

REQUIRES A, B, C, CC

Securely screw the CAM BOLTS (CC) into the designated small holes on the TOP PANEL (A) and LOWER SIDE PANELS (B and C) using a cross-head screwdriver.



Not actual size

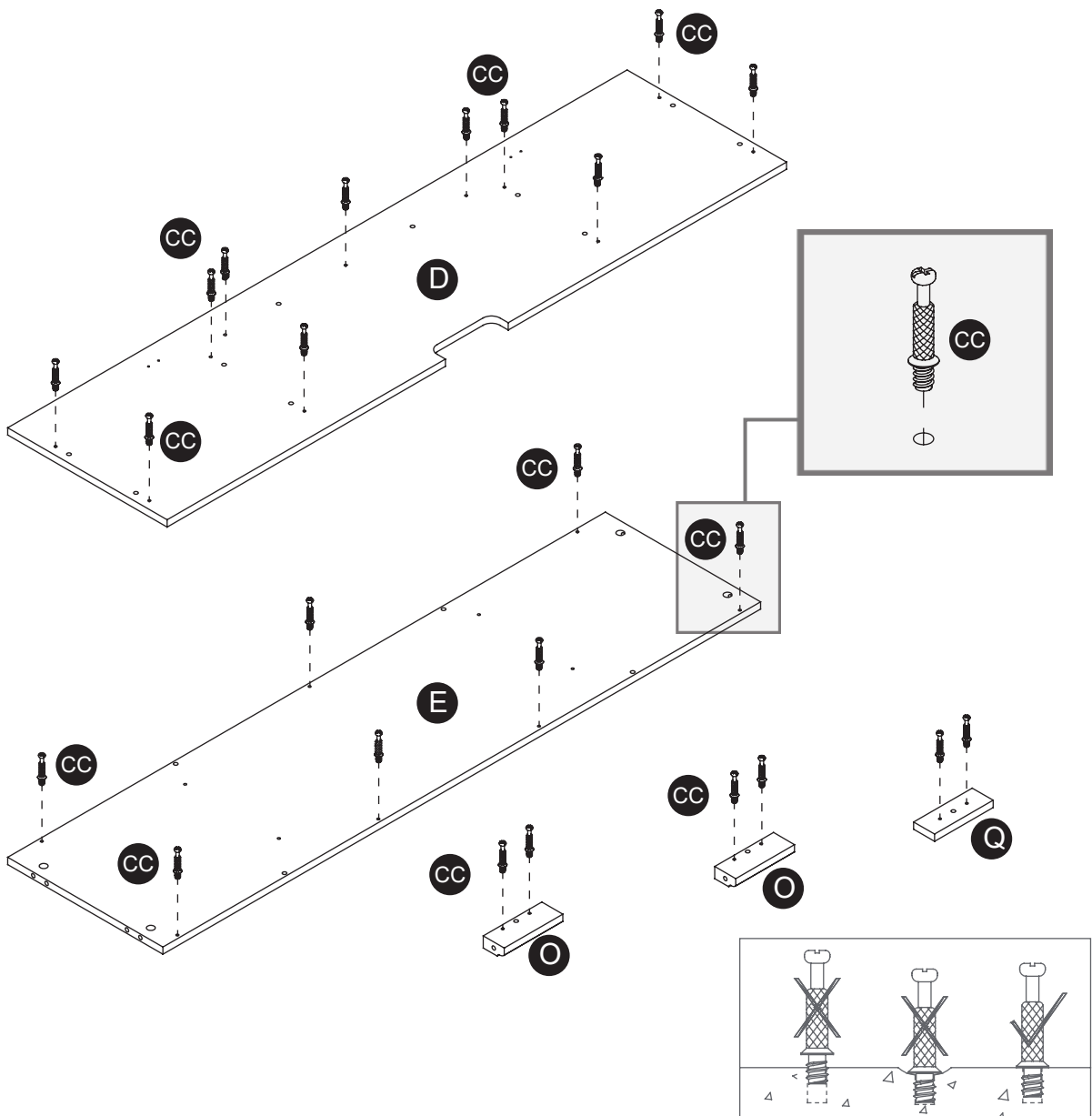
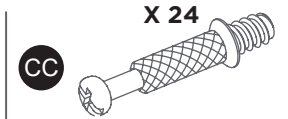


## STEP-BY-STEP GUIDE

### STEP 2

REQUIRES D, E, O, Q, CC

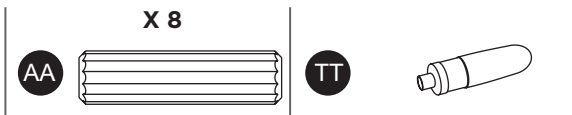
Securely screw the CAM BOLTS (CC) into the designated small holes on the MIDDLE SHELF (D), BOTTOM PANEL (E), UPPER SIDE PANEL MOULDINGS (O) and UPPER PARTITION PANEL MOULDING (Q) using a cross-head screwdriver.



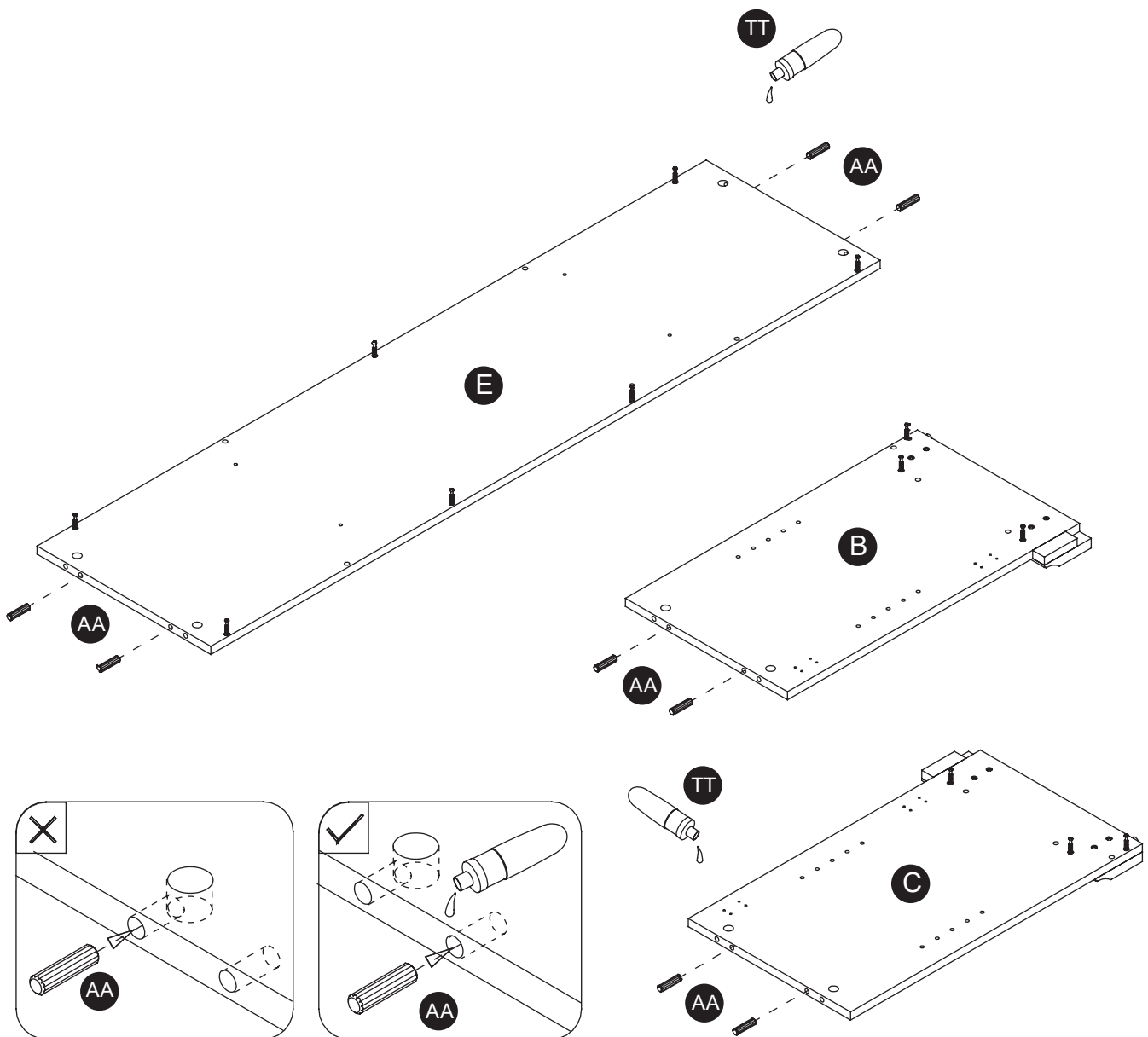
### STEP 3

REQUIRES E, B, C, AA, TT

Glue the WOOD DOWELS (AA) into the inner holes on the BOTTOM PANEL (E) and LOWER SIDE PANELS (B and C) as shown.



Not actual size



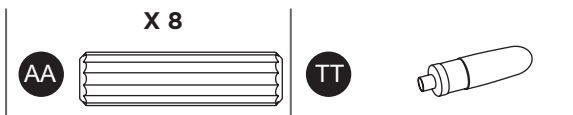
## STEP-BY-STEP GUIDE

### STEP 4

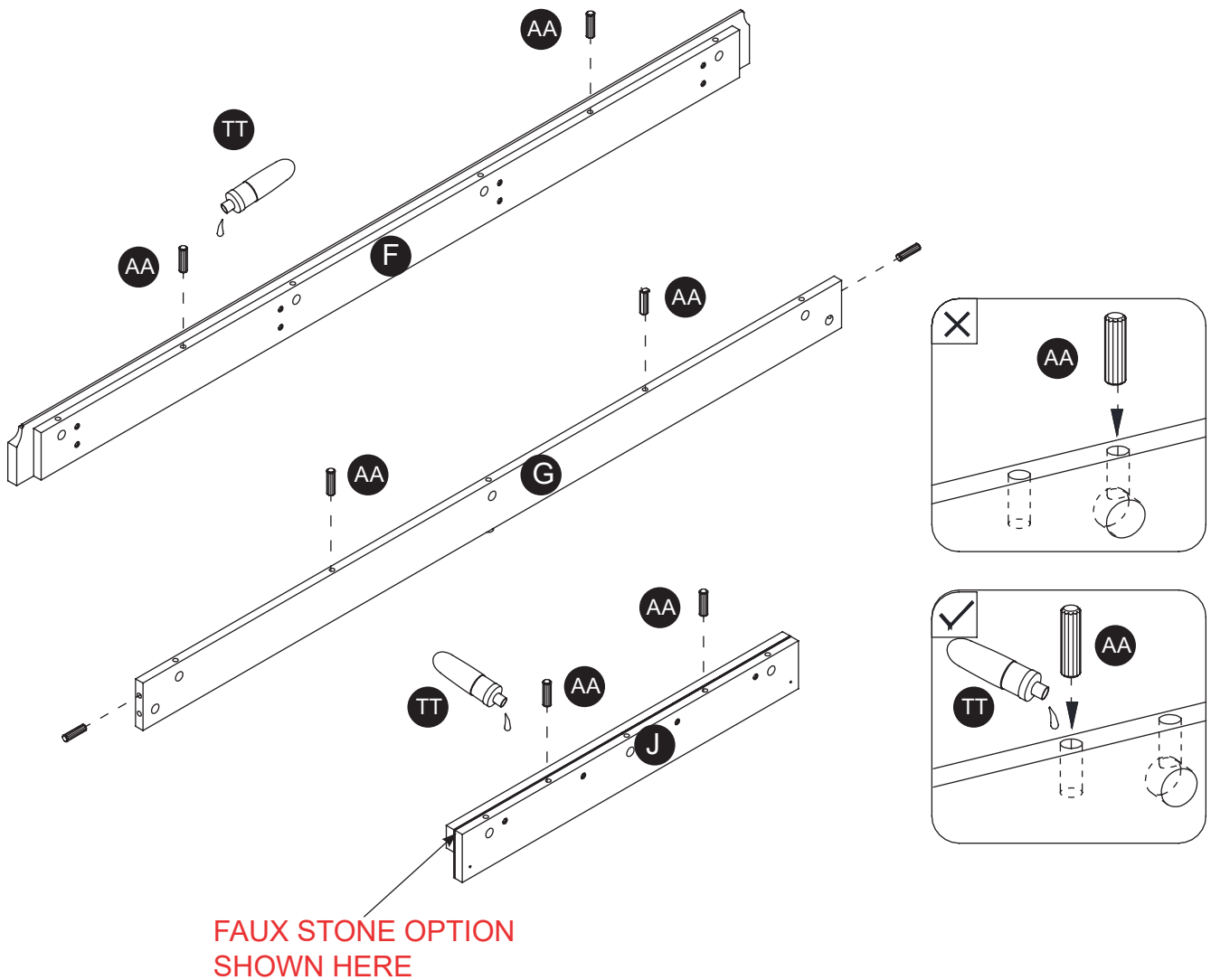
FAUX STONE OPTION REQUIRES F, G, J, AA, TT

WOOD OPTION REQUIRES F, G, J1, AA, TT

Glue the WOOD DOWELS (AA) into the inner holes on the BOTTOM FRONT STRETCHER (F), BOTTOM REAR STRETCHER (G), FAUX STONE MIDDLE CROSSBAR (J) **or** WOOD MIDDLE CROSSBAR (J1) as shown.



Not actual size

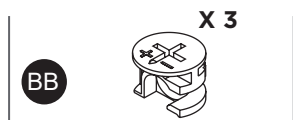


## STEP 5

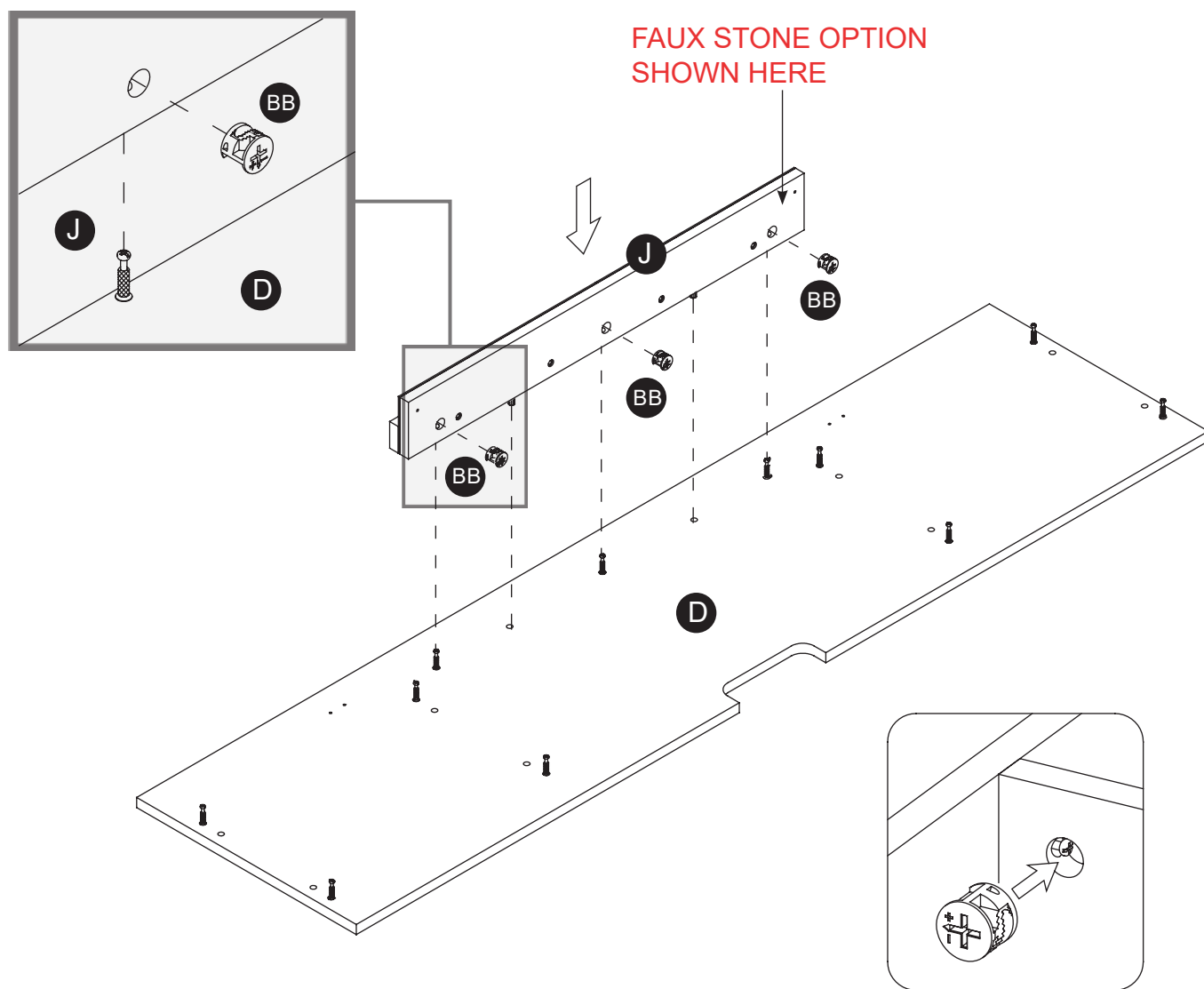
FAUX STONE OPTION REQUIRES D, J, BB

WOOD OPTION REQUIRES D, J1, BB

Attach the FAUX STONE MIDDLE CROSSBAR (J) or WOOD MIDDLE CROSSBAR (J1) to the MIDDLE SHELF (D) by engaging three CAM LOCKS (BB).



Not actual size



## STEP-BY-STEP GUIDE

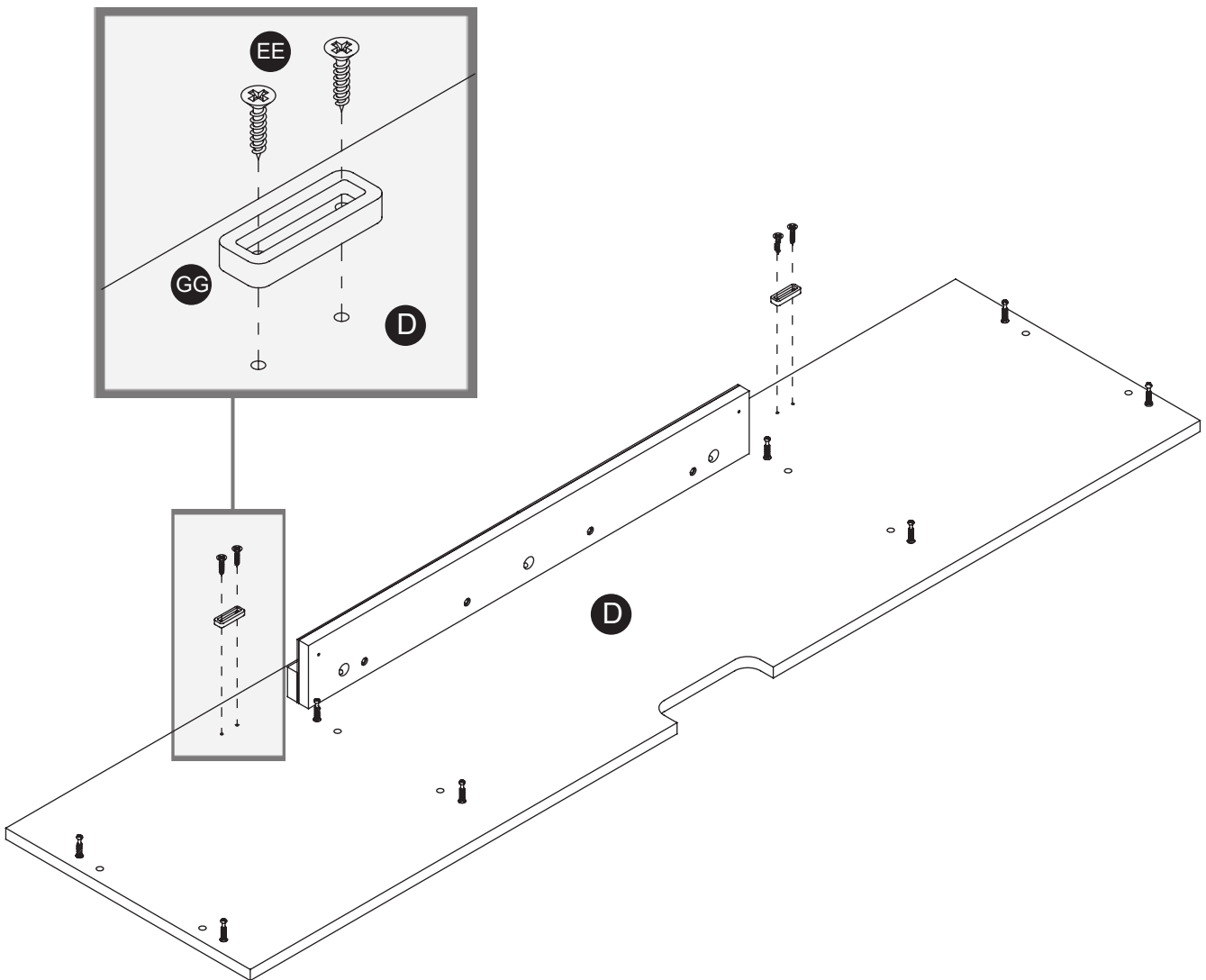
### STEP 6

REQUIRES D, EE, GG

Fasten two DOOR STOPPERS (GG) to the MIDDLE SHELF (D) with two MEDIUM FLAT-HEAD SCREWS (EE) per stopper.



Not actual size

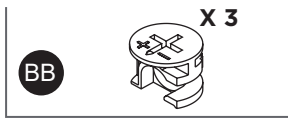




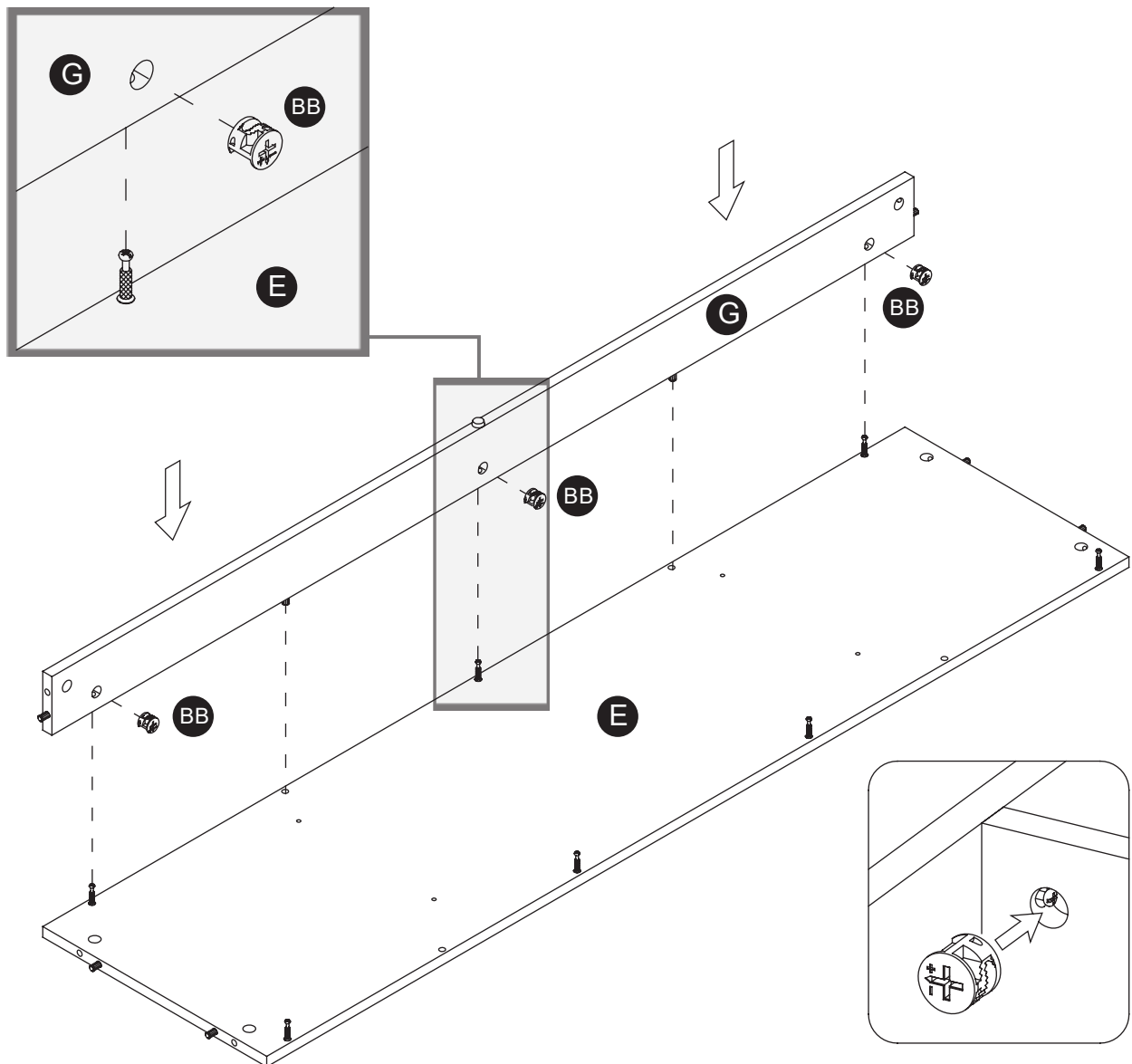
## STEP 7

REQUIRES E, G, BB

Attach the **BOTTOM REAR STRETCHER (G)** to the **BOTTOM PANEL (E)** by engaging three **CAM LOCKS (BB)**.



Not actual size

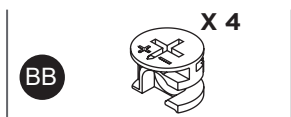


## STEP-BY-STEP GUIDE

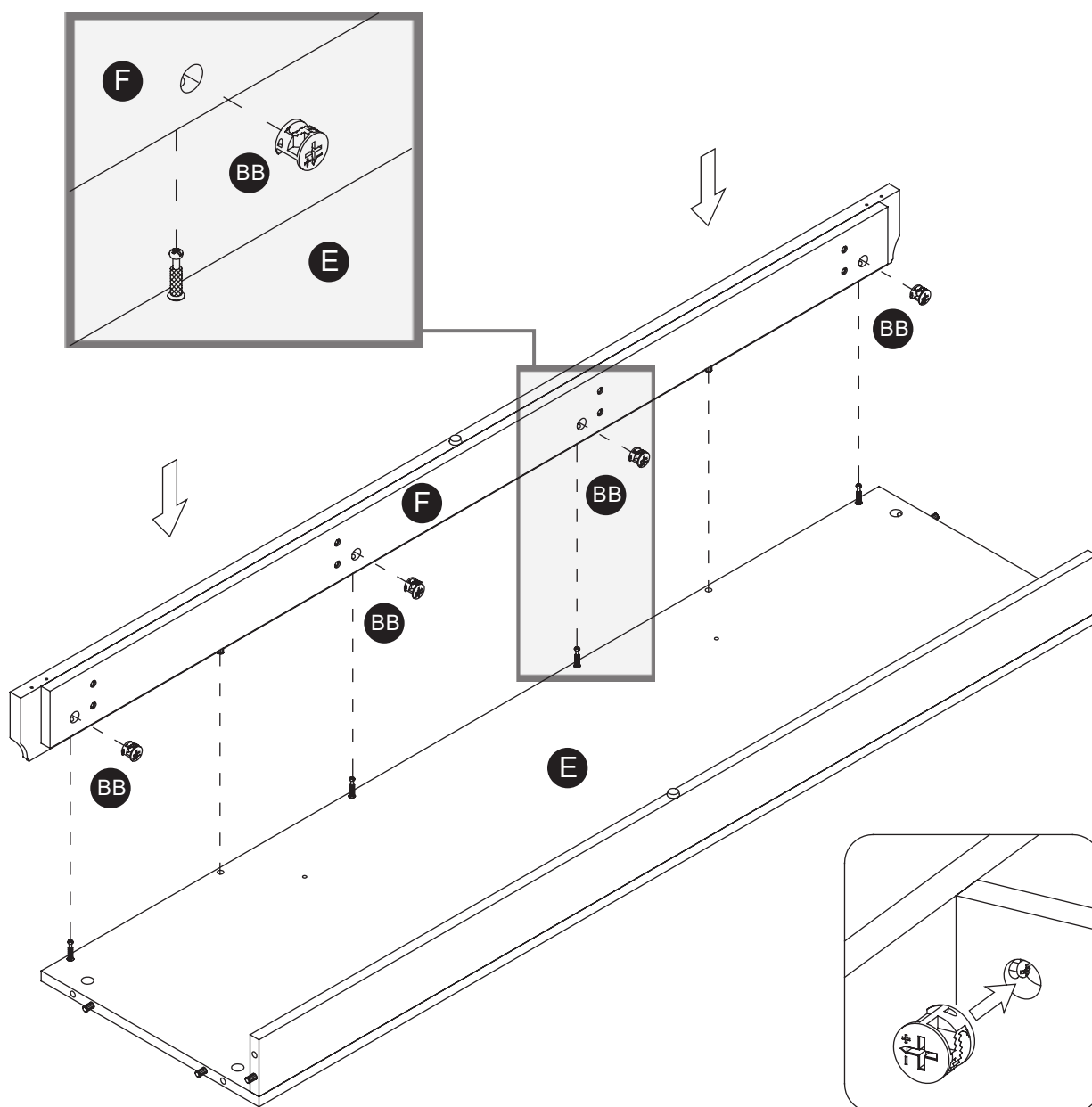
### STEP 8

REQUIRES E, F, BB

Attach the **BOTTOM FRONT STRETCHER (F)** to the **BOTTOM PANEL (E)** by engaging four **CAM LOCKS (BB)**.



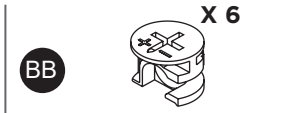
Not actual size



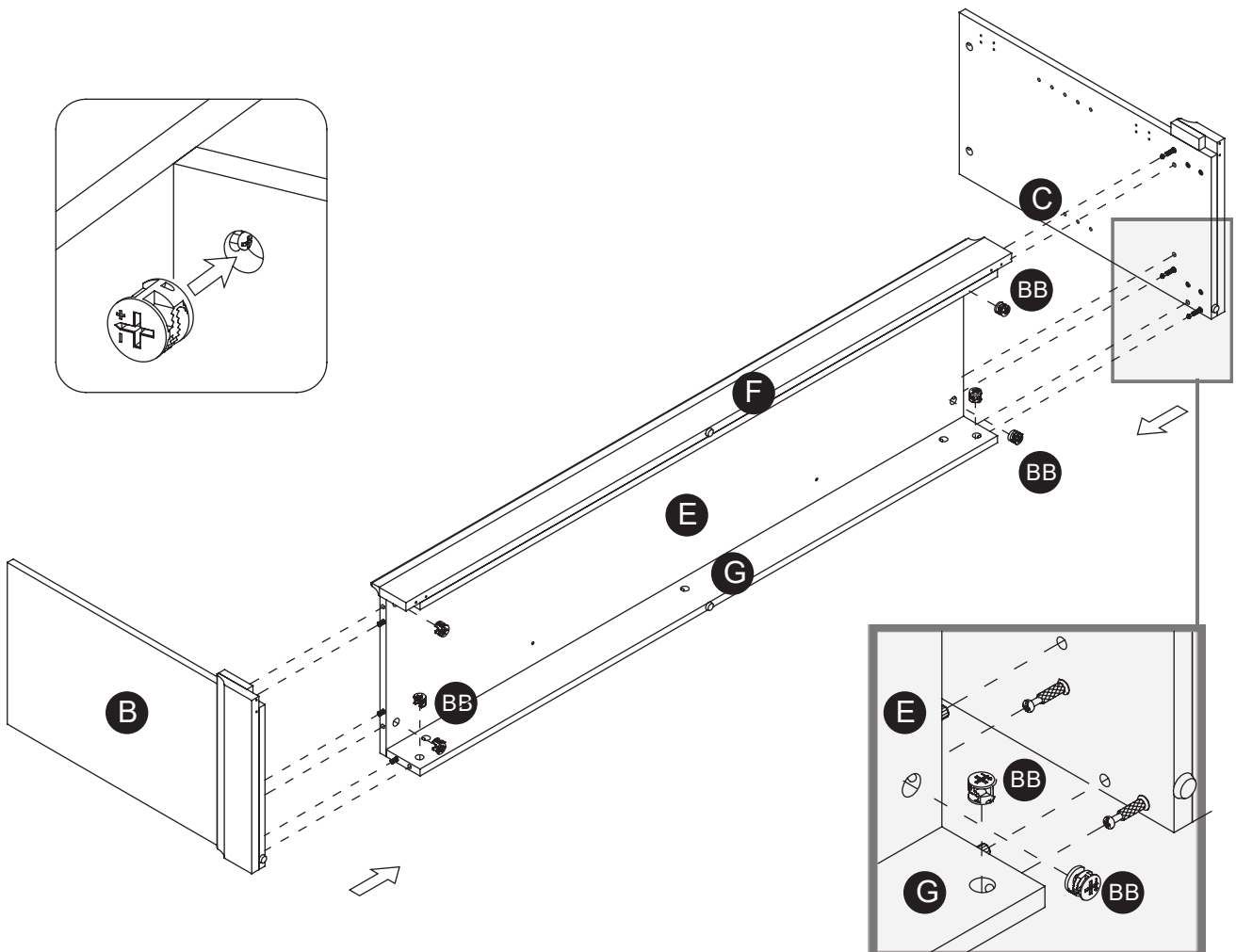
## STEP 9

REQUIRES B, C, E, F, G, BB

Align the large holes on both LOWER SIDE PANELS (B and C) with inserted WOOD DOWELS (AA) and press them together. Attach the LOWER SIDE PANELS (B and C) in place by engaging six CAM LOCKS (BB).



Not actual size

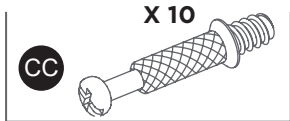


## STEP-BY-STEP GUIDE

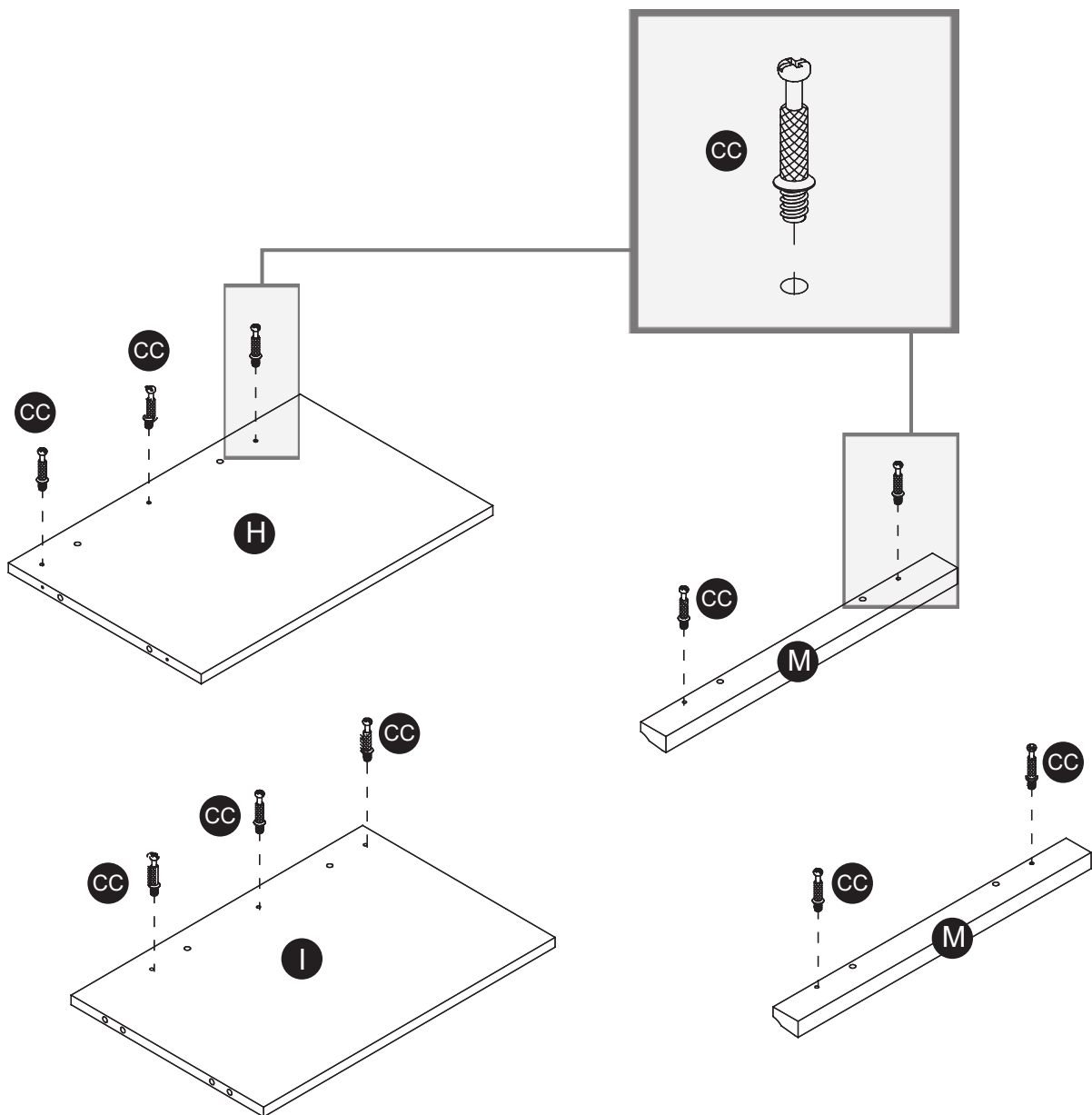
### STEP 10

REQUIRES H, I, M, CC

Securely screw the CAM BOLTS (CC) into the designated holes on the LOWER PARTITION PANELS (H and I) and LOWER PARTITION MOULDINGS (M) using a cross-head screwdriver.



Not actual size

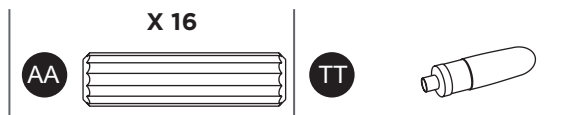


## STEP 11

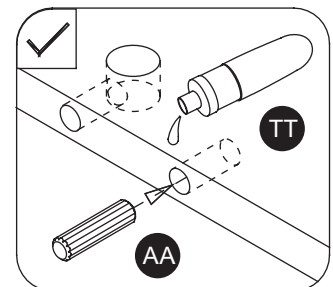
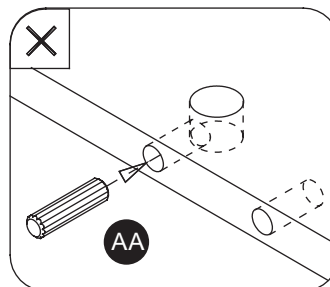
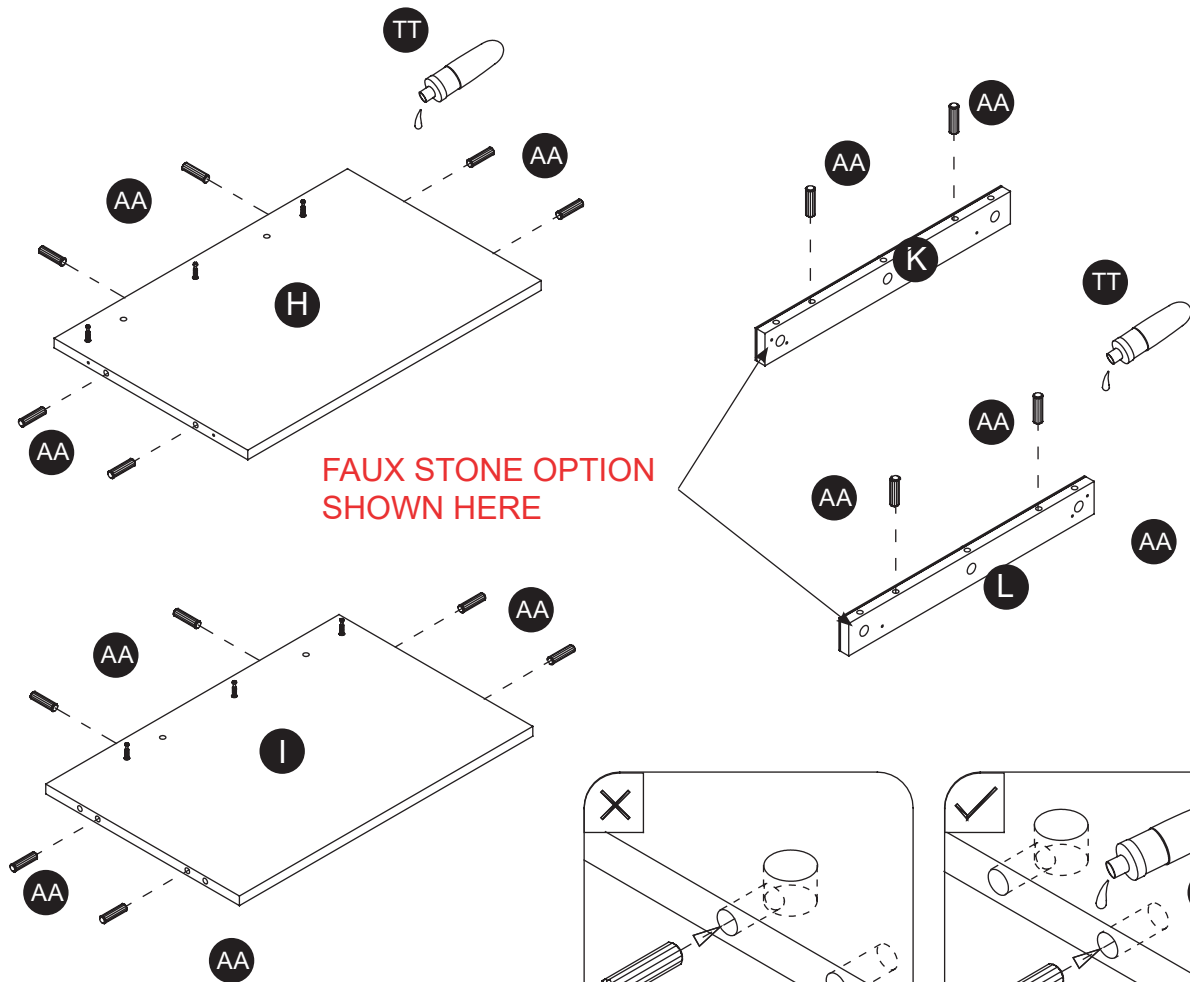
FAUX STONE OPTION REQUIRES H, I, K, L, AA, TT

WOOD OPTION REQUIRES H, I, K1, L1, AA, TT

Glue the WOOD DOWELS (AA) into the inner holes on the LOWER PARTITION PANELS (H and I), FAUX STONE MIDDLE STILES (K and L) or WOOD MIDDLE STILES (K1 and L1) as shown.



Not actual size



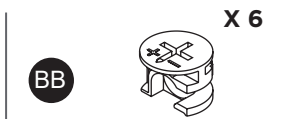
## STEP-BY-STEP GUIDE

### STEP 12

FAUX STONE OPTION REQUIRES H, I, K, L, BB

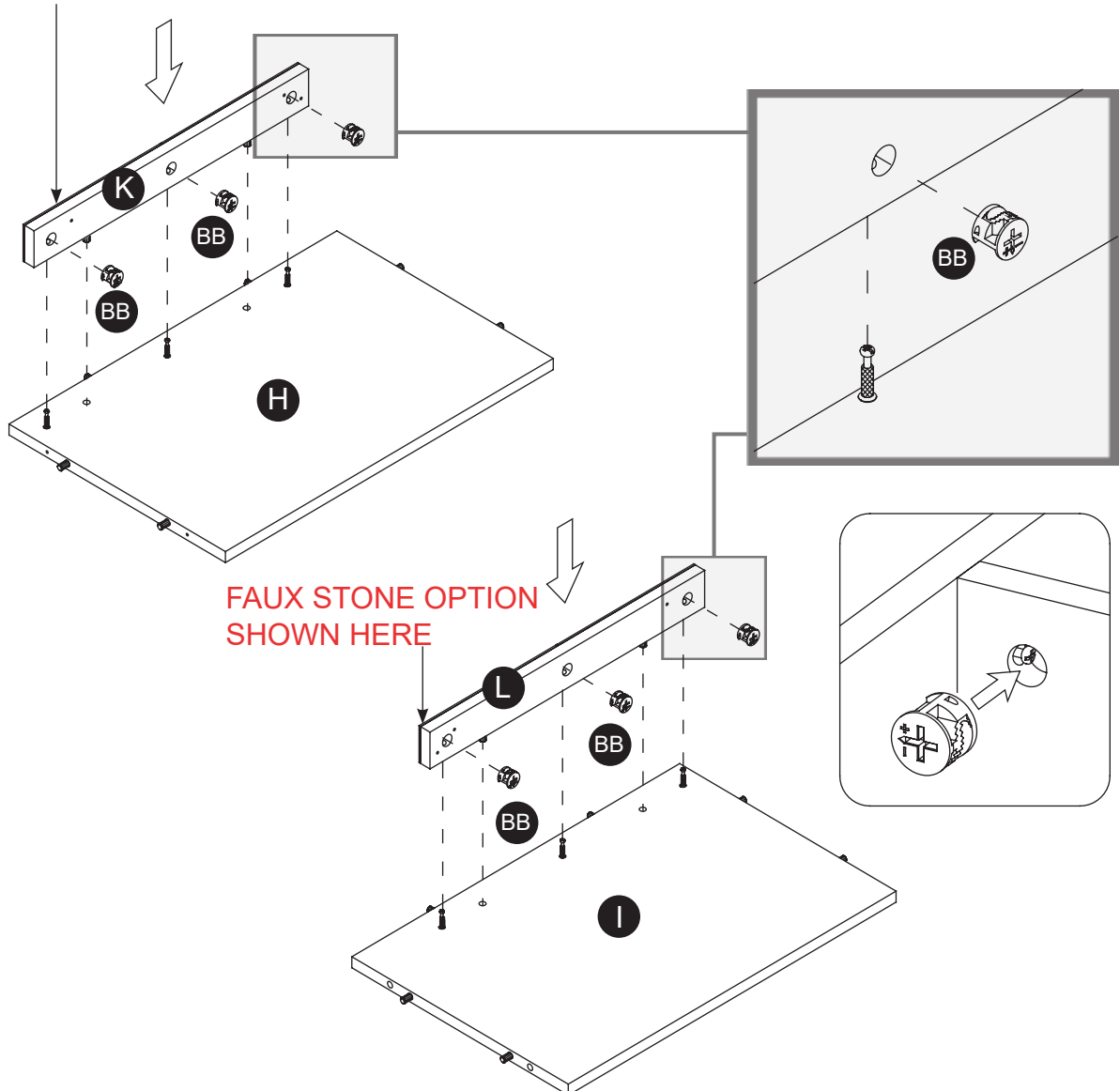
WOOD OPTION REQUIRES H, I, K1, L1, BB

Attach the FAUX STONE MIDDLE STILES (K and L) **or** WOOD MIDDLE STILES (K1 and L1) to the LOWER PARTITION PANELS (H and I) by engaging three CAM LOCKS (BB) per stile.



Not actual size

FAUX STONE OPTION  
SHOWN HERE

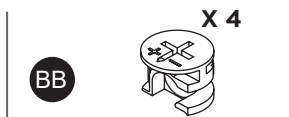


FAUX STONE OPTION  
SHOWN HERE

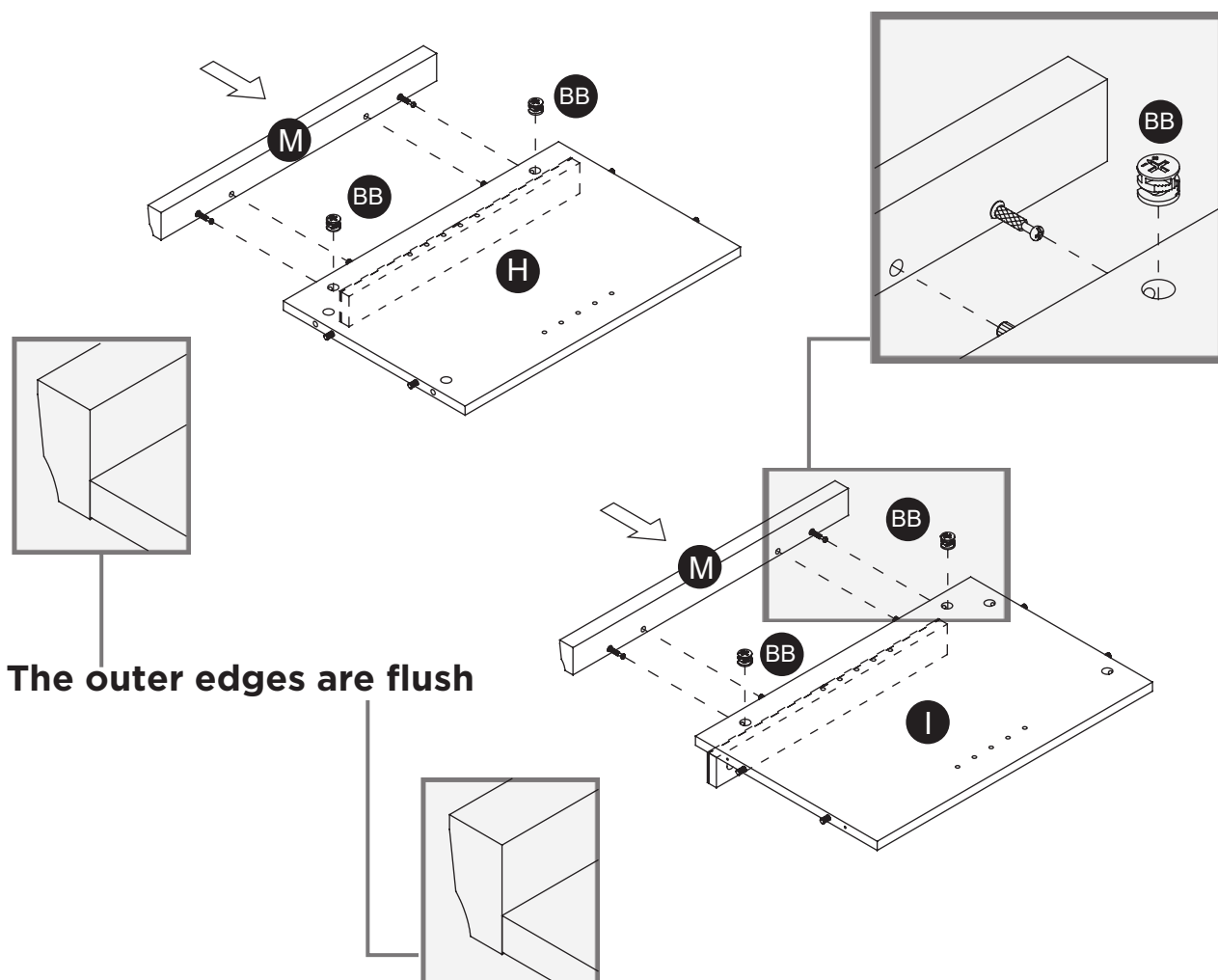
## STEP 13

REQUIRES H, I, M, BB

Attach the LOWER PARTITION MOULDINGS (M) to the opposite side of LOWER PARTITION PANELS (H and I) by engaging two CAM LOCKS (BB) per moulding.



Not actual size

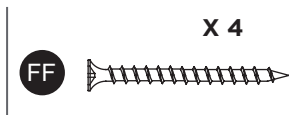


## STEP-BY-STEP GUIDE

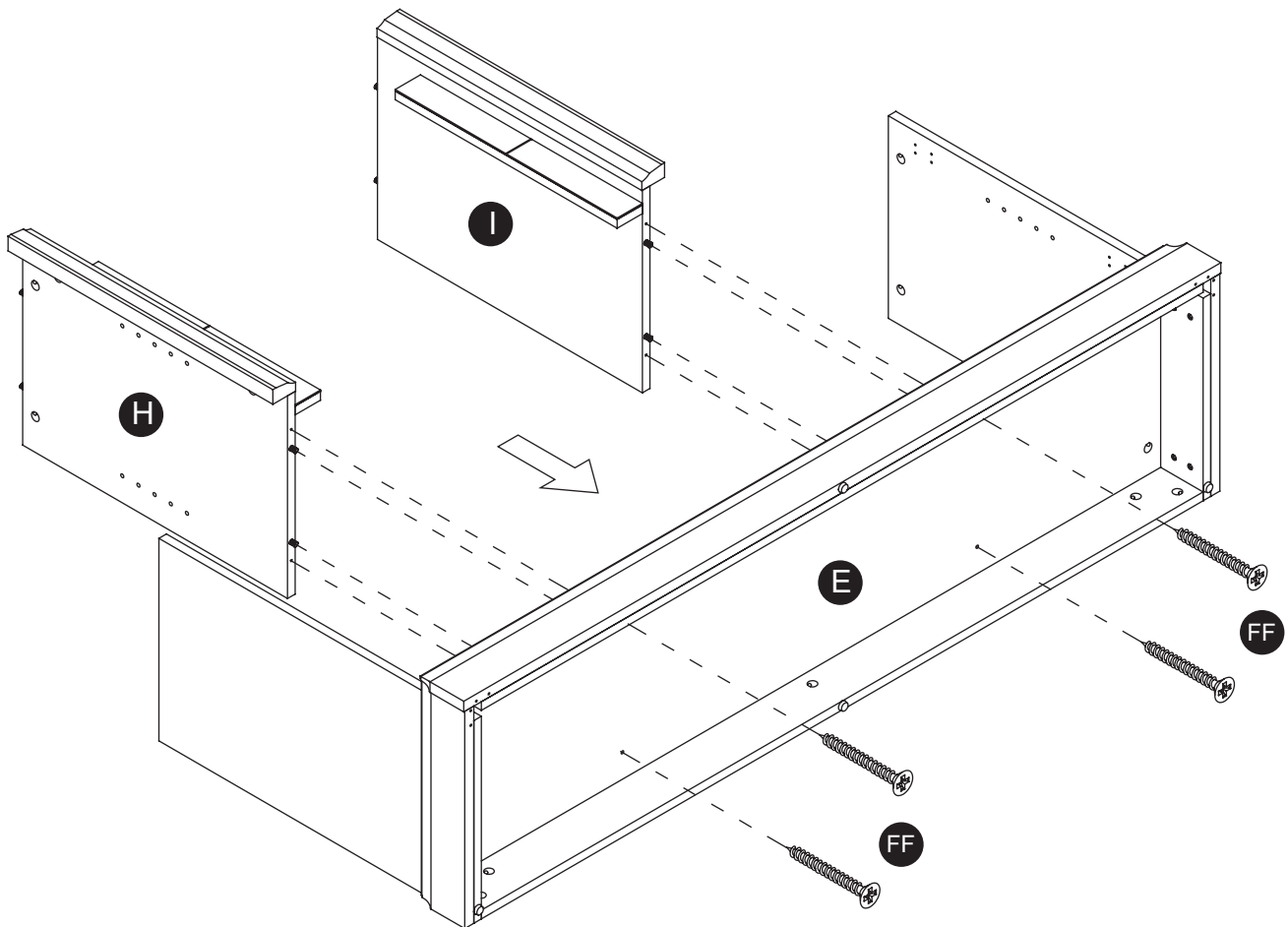
### STEP 14

REQUIRES E, H, I, FF

Attach the LOWER PARTITION PANELS (H and I) to the BOTTOM PANEL (E) with four LONG FLAT-HEAD SCREWS (FF).



Not actual size

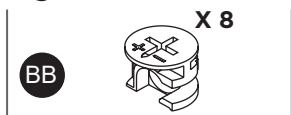




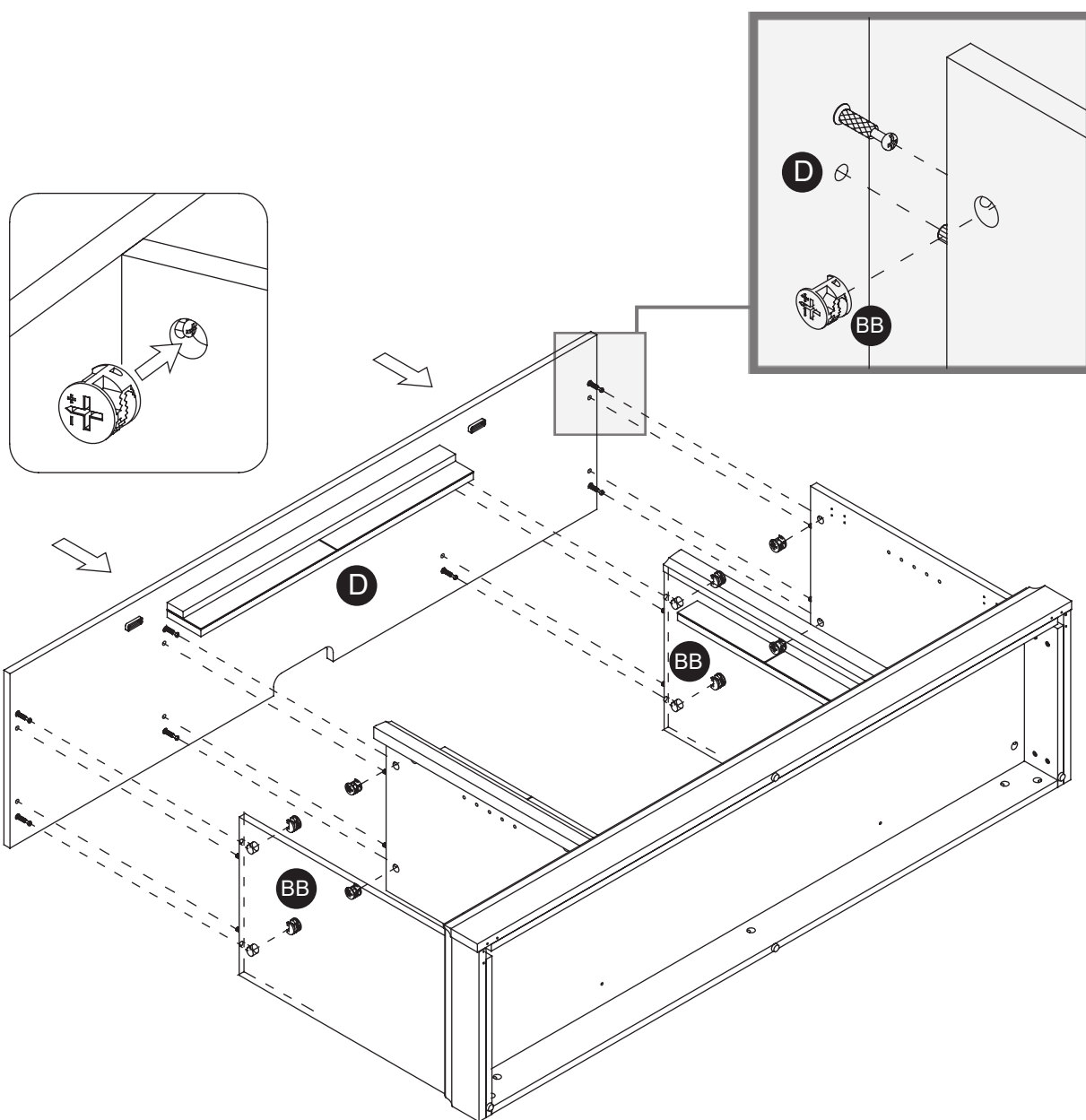
## STEP 15

REQUIRES D, BB

Ask for assistance to position the MIDDLE SHELF (D) onto the inserted WOOD DOWELS (AA) on the vertical panels properly, and fasten it in place by engaging eight CAM LOCKS (BB).



Not actual size

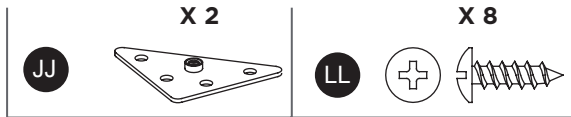


## STEP-BY-STEP GUIDE

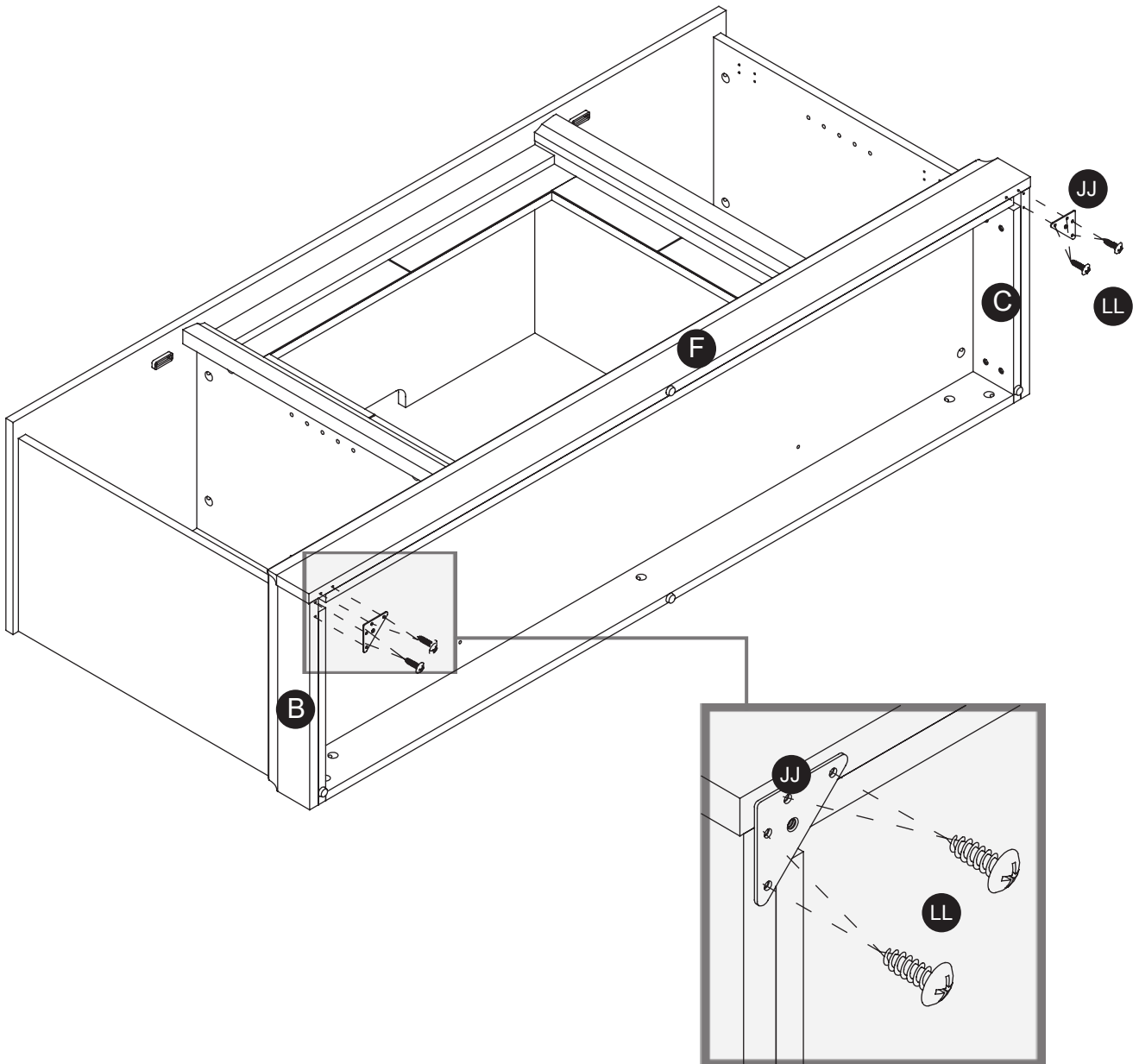
### STEP 16

REQUIRES F, B, C JJ, LL

Using the pilot holes as a guide, fasten two TRIANGLE METAL PLATES (JJ) at the bottom joints between the BOTTOM FRONT STRETCHER (F) and LOWER SIDE PANELS (B and C) using four LONG PAN-HEAD SCREWS (LL) per plate.



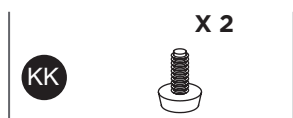
Not actual size



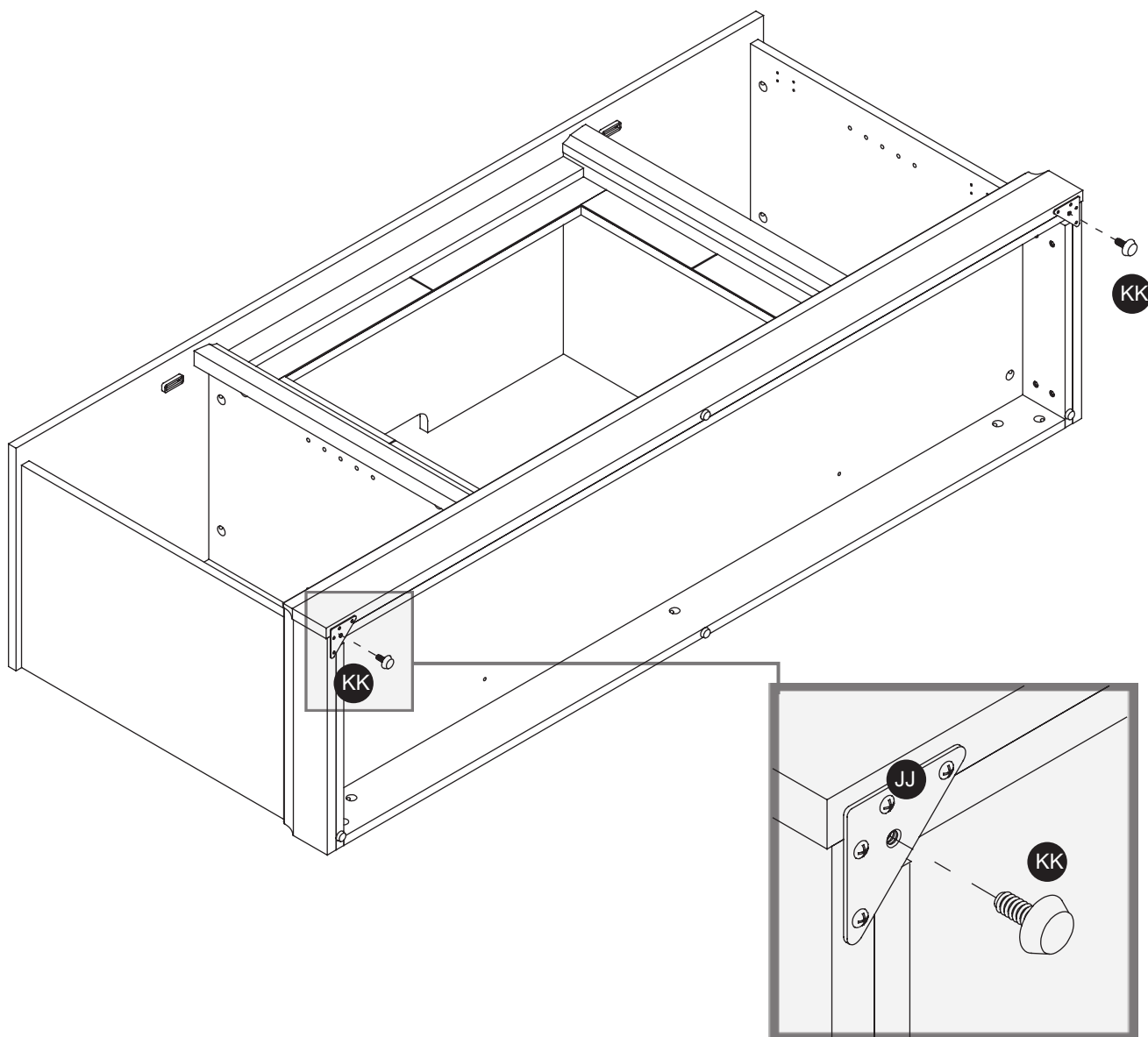
## STEP 17

REQUIRES KK

Screw the FLOOR LEVELLERS (KK) into the threaded sockets on the TRIANGLE METAL PLATES (JJ) and set to the correct height.



Not actual size



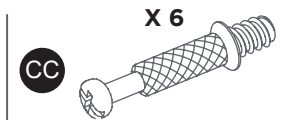
## STEP-BY-STEP GUIDE

### STEP 18

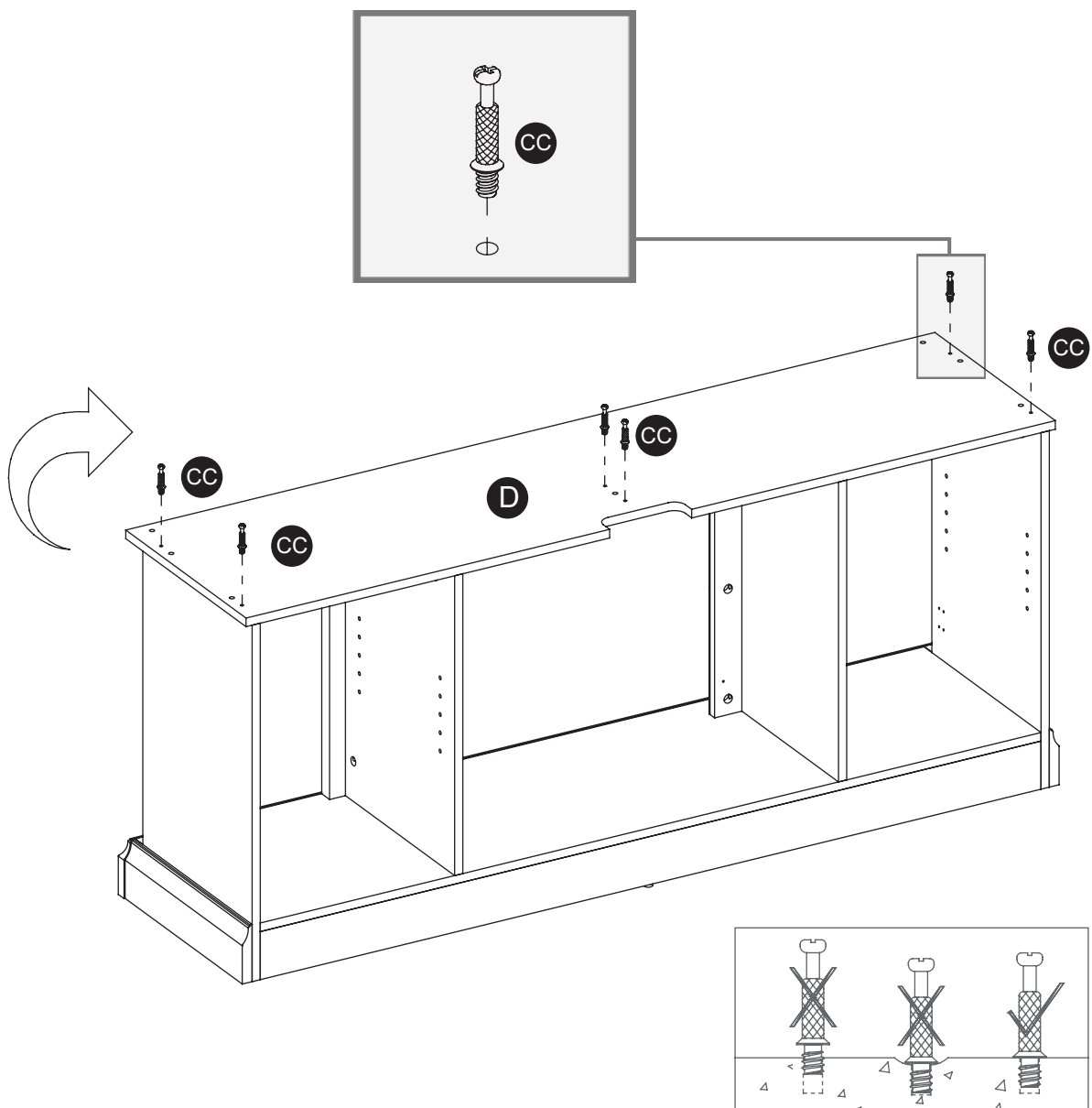
REQUIRES D, CC

Stand the assembled unit upright.

Securely screw the CAM BOLTS (CC) into the designated small holes on the top face of MIDDLE SHELF (D) using a cross-head screwdriver.



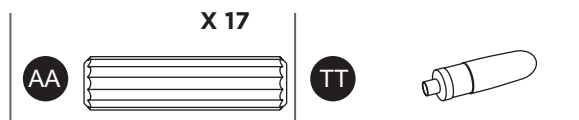
Not actual size



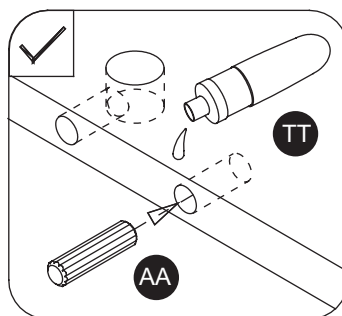
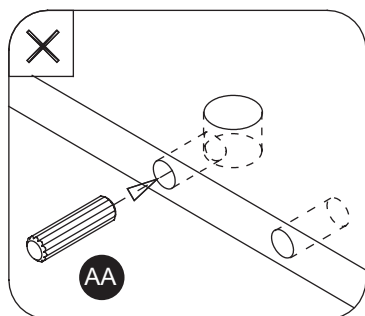
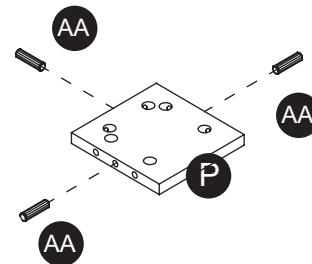
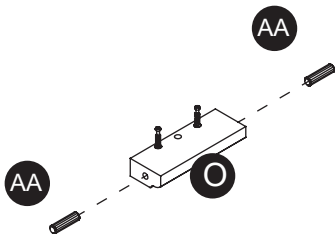
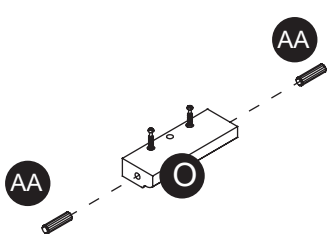
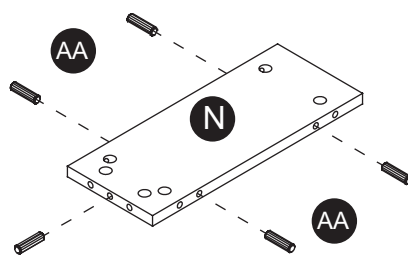
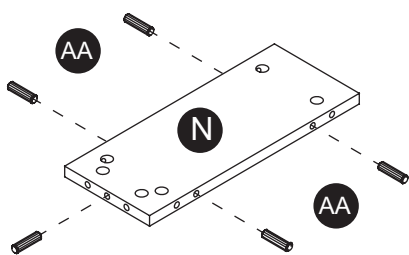
## STEP 19

REQUIRES N, O, P, AA, TT

Glue the WOOD DOWELS (AA) into the inner holes on the UPPER SIDE PANELS (N), UPPER SIDE PANEL MOULDINGS (O) and UPPER PARTITION PANEL (P) as shown.



Not actual size



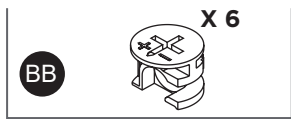
## STEP-BY-STEP GUIDE

### STEP 20

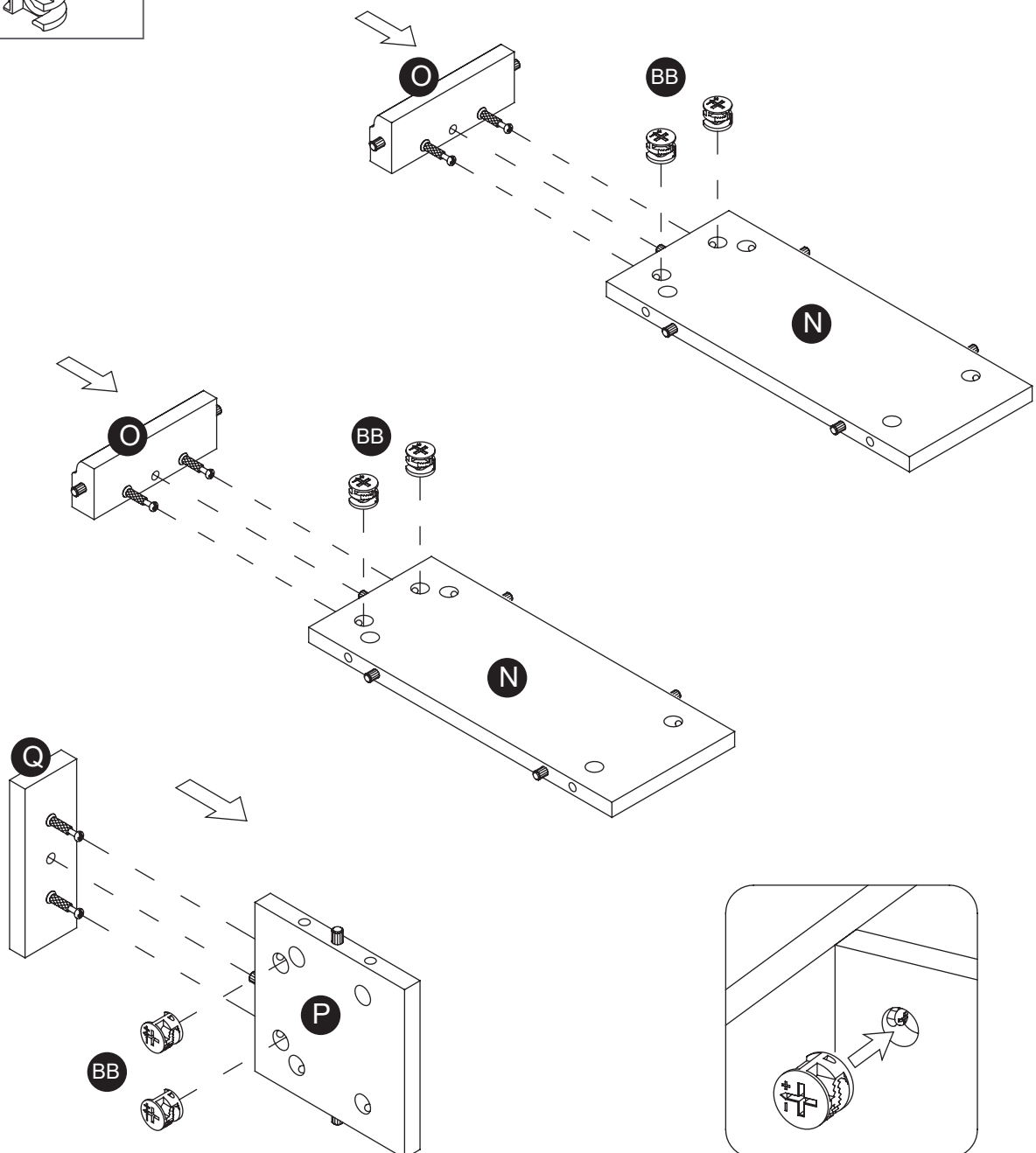
REQUIRES N, O, P, Q, BB

Attach the UPPER SIDE PANEL MOULDINGS (O) to UPPER SIDE PANELS (N) by engaging two CAM LOCKS (BB) in each.

Repeat the same step to attach the UPPER PARTITION PANEL MOULDING (Q) to the UPPER PARTITION PANEL (P).



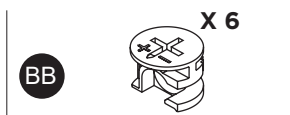
Not actual size



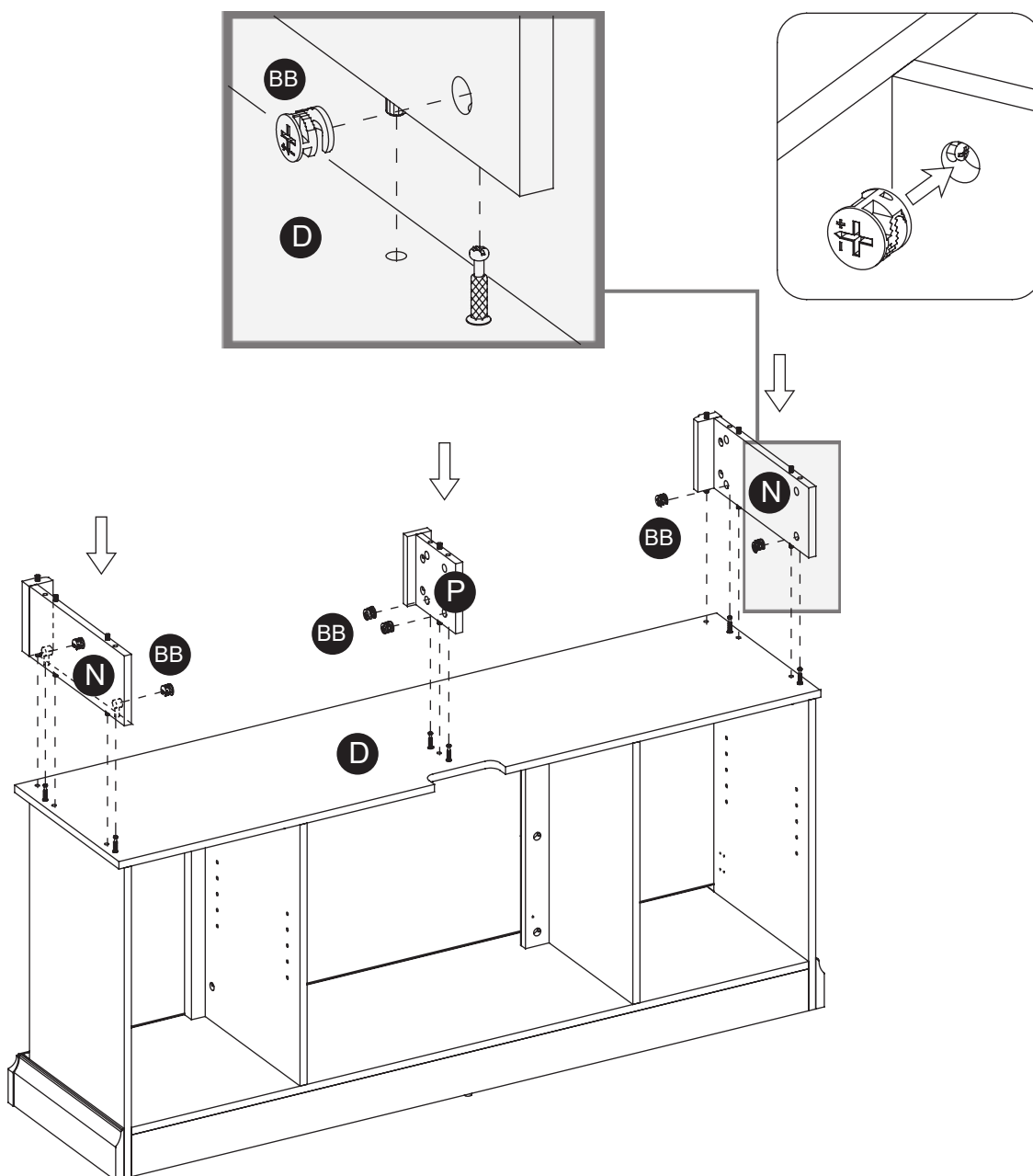
## STEP 21

REQUIRES D, N, P, BB

Attach the UPPER SIDE PANELS (N) and UPPER PARTITION PANEL (P) to the MIDDLE SHELF (D) by engaging six CAM LOCKS (BB).



Not actual size

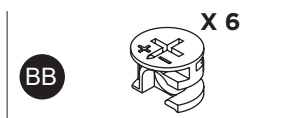


## STEP-BY-STEP GUIDE

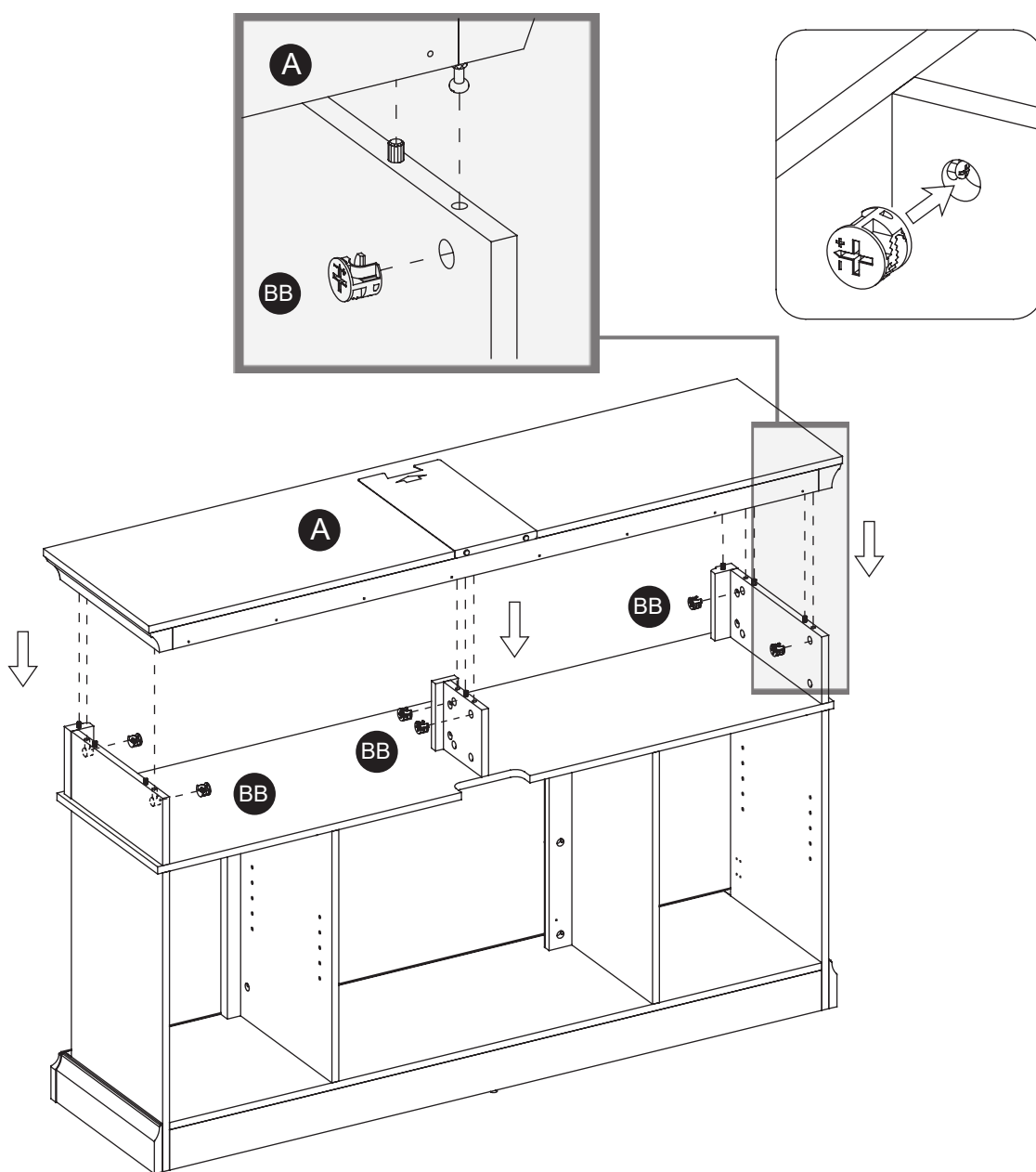
### STEP 22

REQUIRES A, BB

Place the TOP PANEL (A) onto the inserted WOOD DOWELS (AA) on the vertical panels properly, and fasten it in place with six CAM LOCKS (BB).



Not actual size





## STEP 23

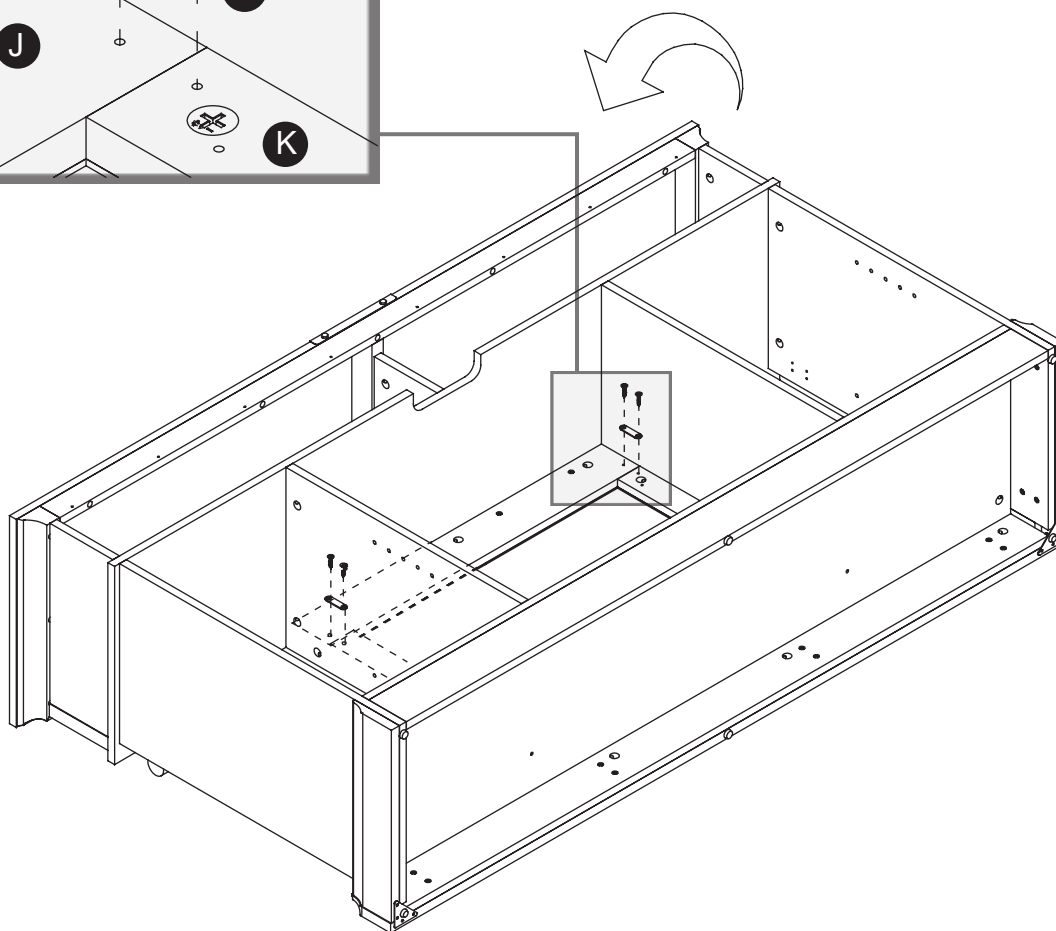
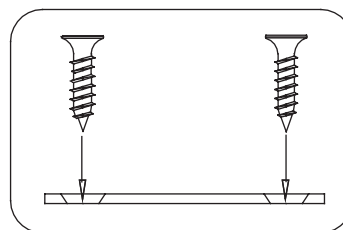
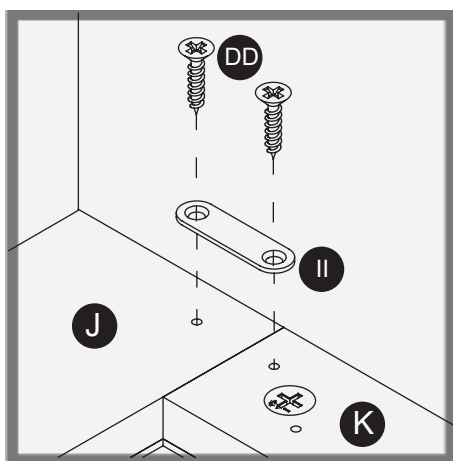
REQUIRES J, K, L, DD, II

Ask for assistance to lay down the unit on its front edge as shown.

Attach two METAL BRACKETS (II) at the joints where the MIDDLE CROSSBAR (J or J1) meets the MIDDLE STILES (K and L, or K1 and L1) with four SHORT FLAT-HEAD SCREWS (DD).



Not actual size



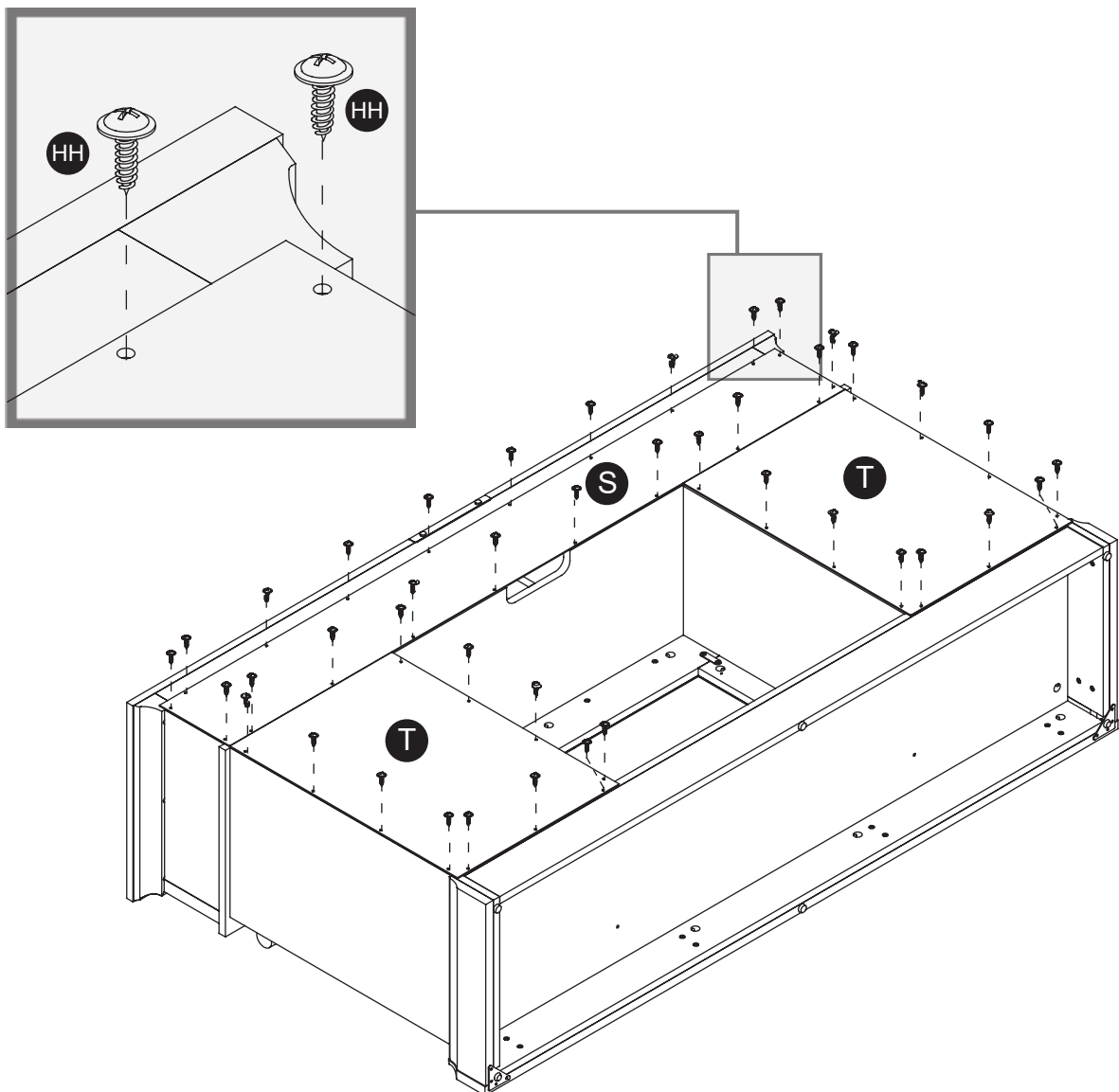
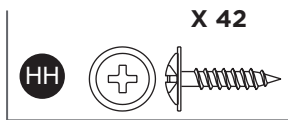
## STEP-BY-STEP GUIDE

### STEP 24

REQUIRES S, T, HH

Pick up the UPPER BACK PANEL (S) and align the pre-drilled holes against the upper long edge with the pilot holes on the back stretcher of the TOP PANEL (A). Attach it in place using the provided WASHER-HEAD SCREWS (HH).

Repeat to attach the LOWER SIDE BACK PANELS (T) to the mantel with the provided WASHER-HEAD SCREWS (HH).



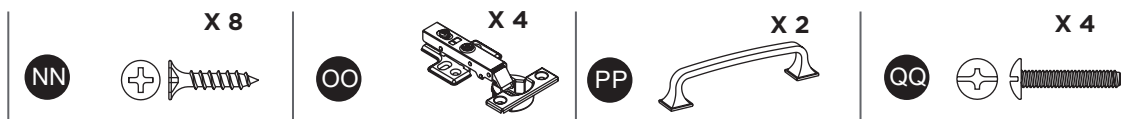
## STEP 25

REQUIRES U, NN, OO, PP, QQ

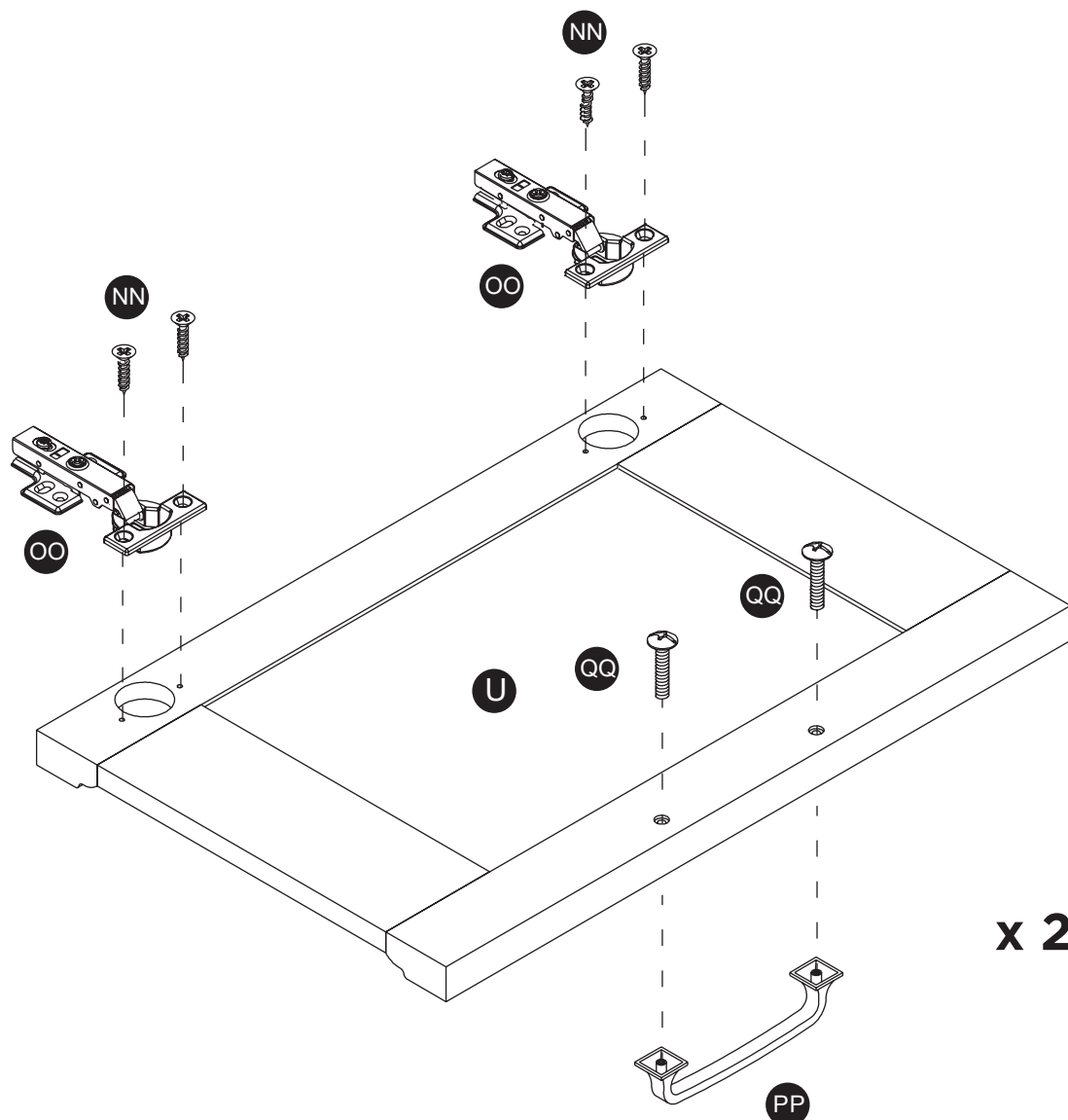
Extend two HINGES (OO) and rest the hinge cups onto the cutouts of one DOOR PANEL (U). Secure the door hinges in place with two ZINC SCREWS (NN) in each.

Attach one HANDLE (PP) to the front side of the door with two HANDLE BOLTS (QQ).

Repeat to attach the other HANDLE (PP) and HINGES (OO) to the other DOOR PANEL (U).



Not actual size



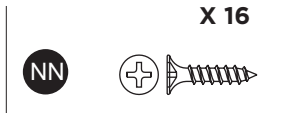
## STEP-BY-STEP GUIDE

### STEP 26

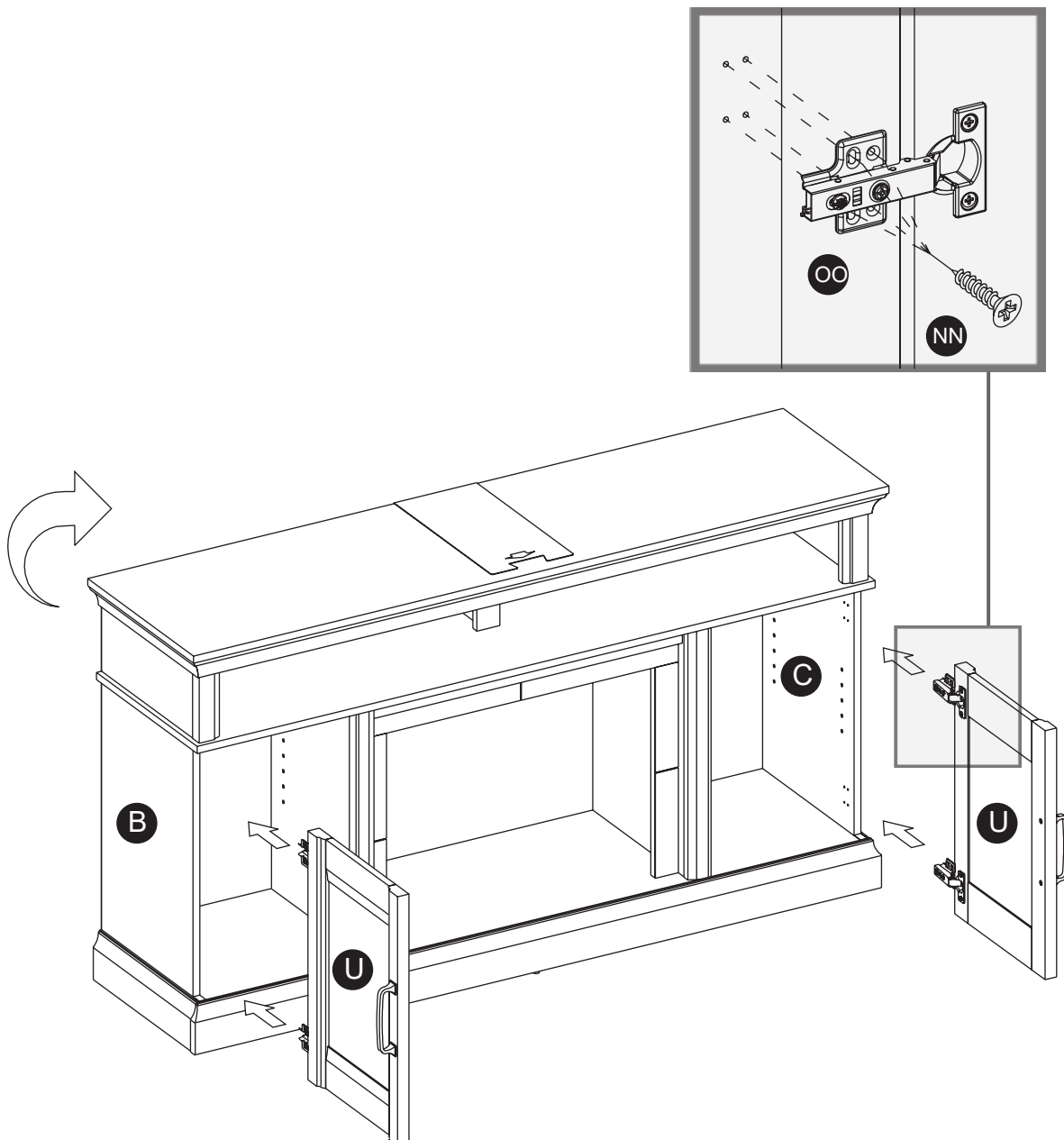
REQUIRES B, C, U, OO, NN

Stand the unit upright and position it near the final location.

Pick up the DOOR PANELS (U) and fasten the HINGE BASES onto the LOWER SIDE PANELS (B and C) with four ZINC SCREWS (NN) per hinge base.



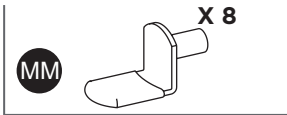
Not actual size



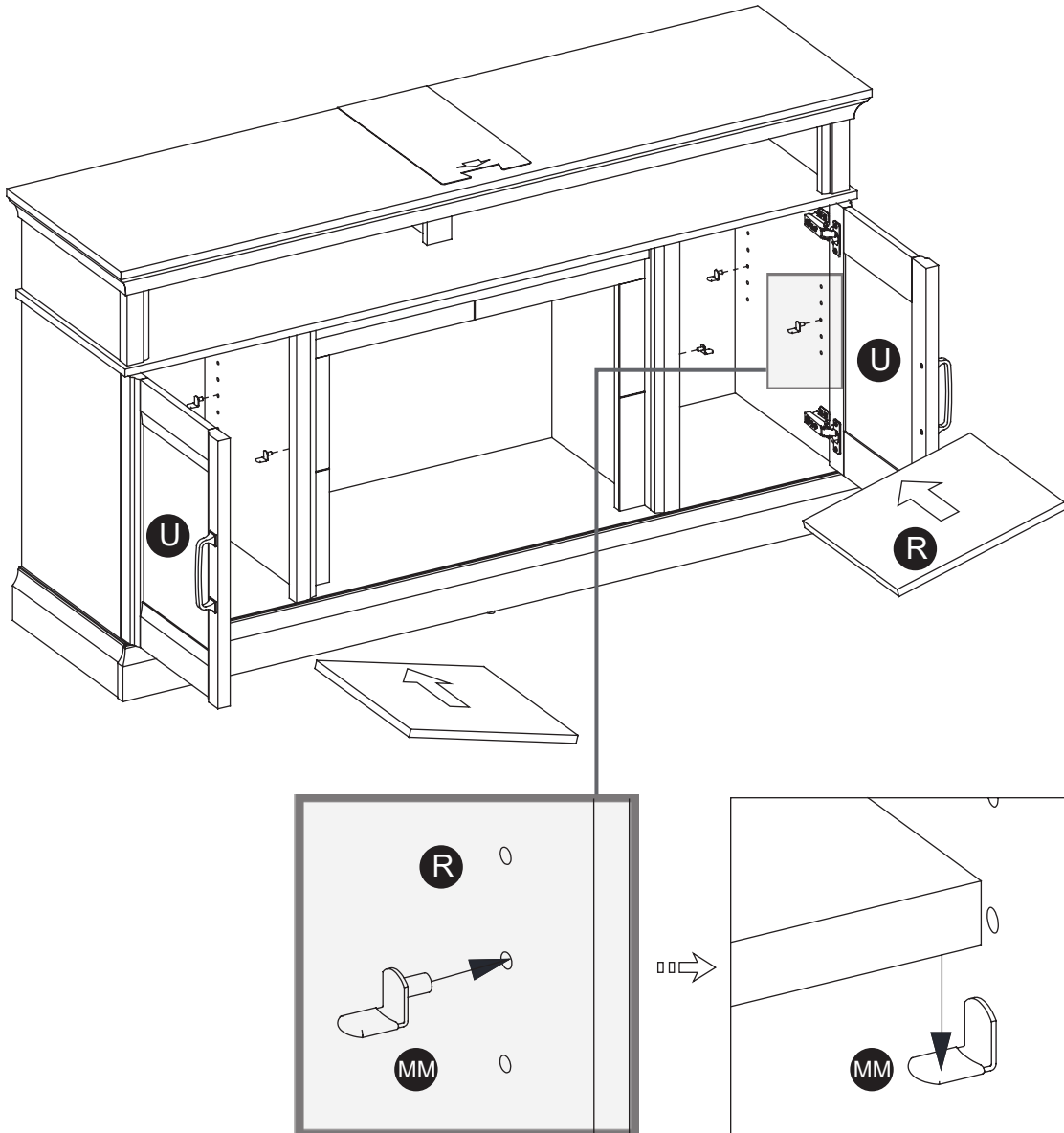
## STEP 27

REQUIRES U, R, MM

Open the DOORS (U) and insert four SHELF SUPPORTS (MM) in the holes at the desired height inside each side compartment. Make sure you place the four shelf supports at the same level so the shelf is not tilted. Tilt and rest the ADJUSTABLE SHELVES (R) onto the shelf supports.



Not actual size

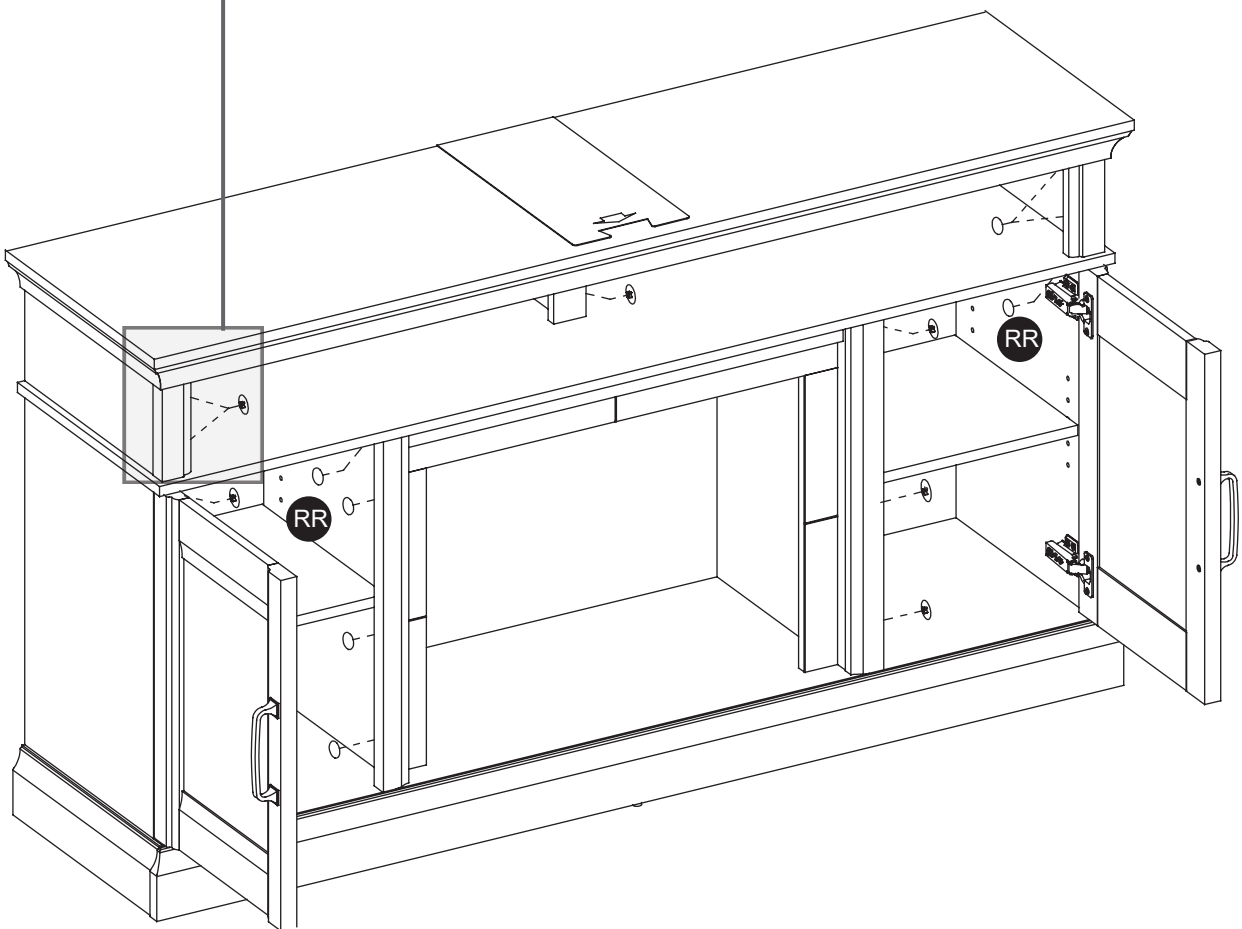
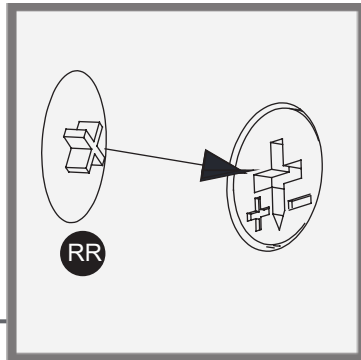
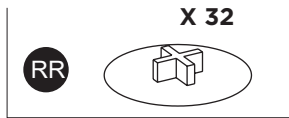


## STEP-BY-STEP GUIDE

### STEP 28

REQUIRES RR

Plug the CAM LOCK COVERS (RR) onto the visible cam locks to conceal the cams.

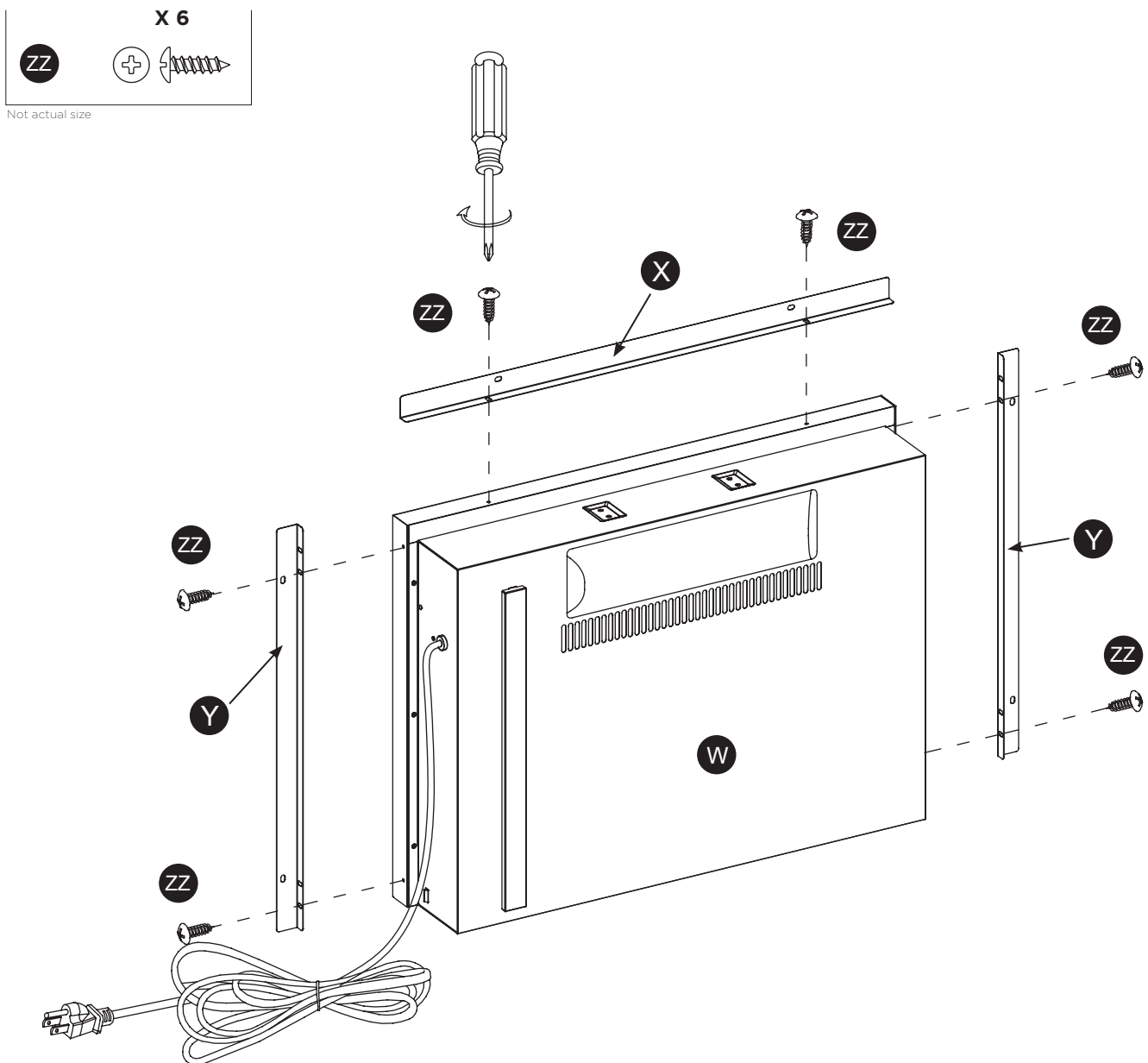


## STEP 29

Unpack the FIREPLACE INSERT (W) from the inner box and fasten the TOP TRIM (X) to the top of the fireplace insert using two of the SHORT PAN-HEAD SCREWS (ZZ) included with the insert. Make sure that the right angle side points towards the front of the unit.

Attach one SIDE TRIM (Y) to each side of the FIREPLACE INSERT (W), ensuring the right angle side is facing the front of the unit, using two SHORT PAN-HEAD SCREWS (ZZ) per trim.

**NOTE: Screws are included in the fireplace insert box.**

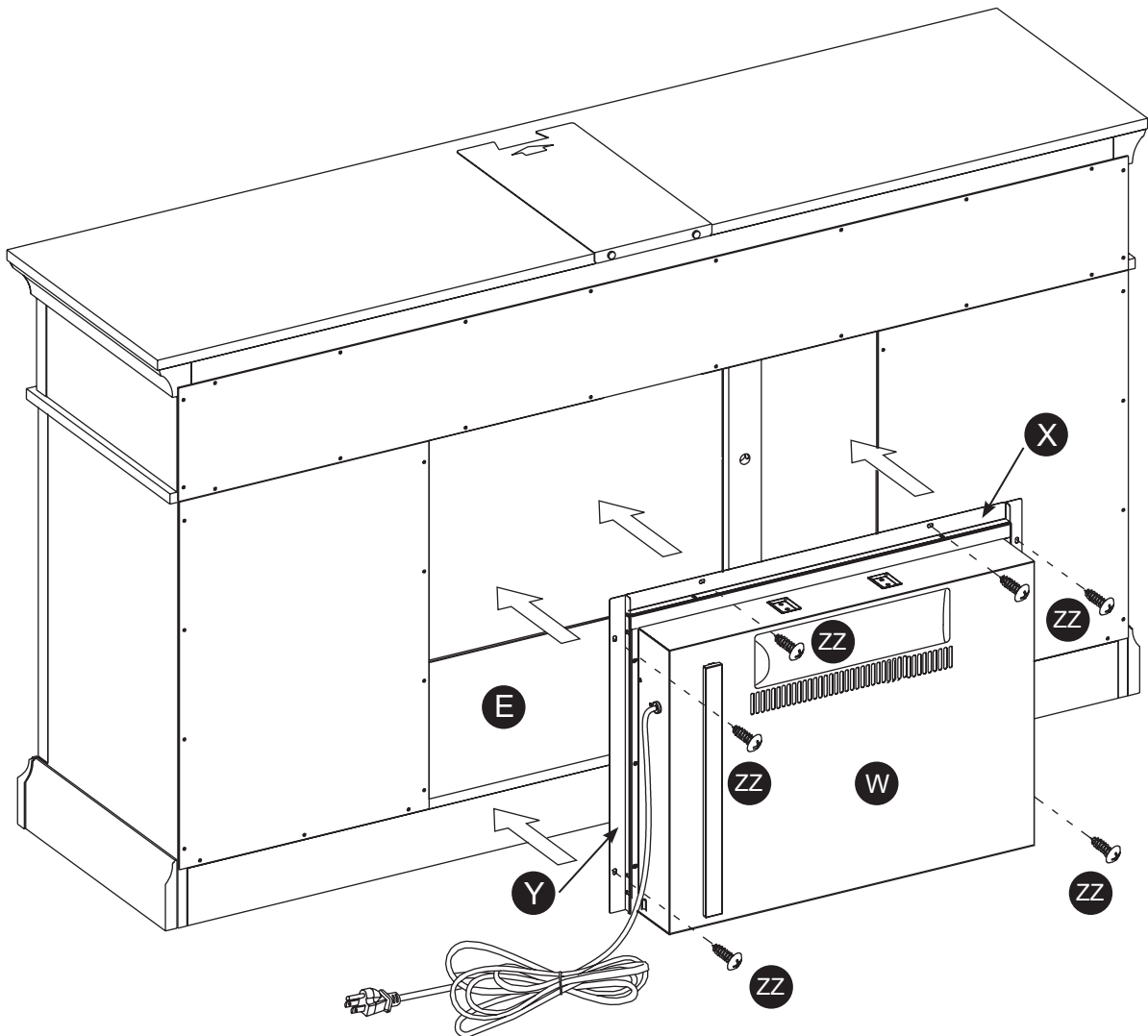
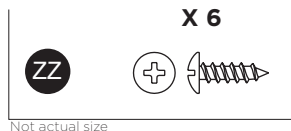


## STEP-BY-STEP GUIDE

### STEP 30

Lift the FIREPLACE INSERT (W) carefully into the back of the assembled mantel and centre it in the opening. DO NOT drag the insert across the BOTTOM PANEL (E) as it may scratch the unit.

Fasten the FIREPLACE INSERT (W) to the mantel with six SHORT PAN-HEAD SCREWS (ZZ) as shown.



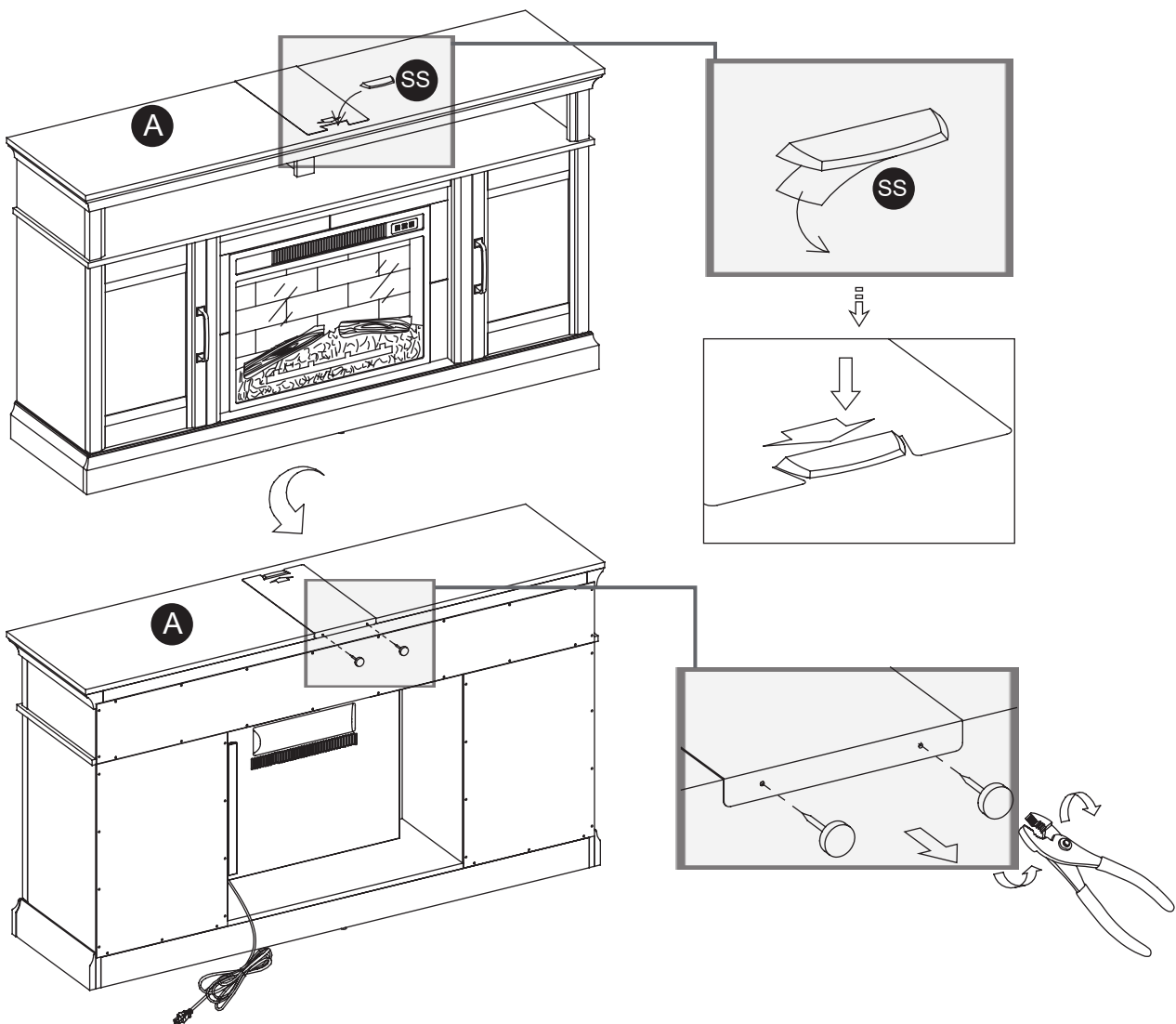
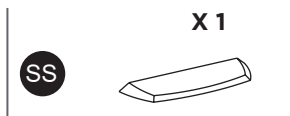


## STEP 31

REQUIRES A, SS

Remove the paper backing on the ACRYLIC STOPPER (SS), then properly align the acrylic stopper into the cutout on the acrylic stopper template on the front of the TOP PANEL (A). Press down on the acrylic stopper to help adhesion.

At the back of TOP PANEL (A), grip the heads of plastic tacks with pliers, and with a twisting motion, pull tacks loose to remove the acrylic stopper template.



## STEP-BY-STEP GUIDE

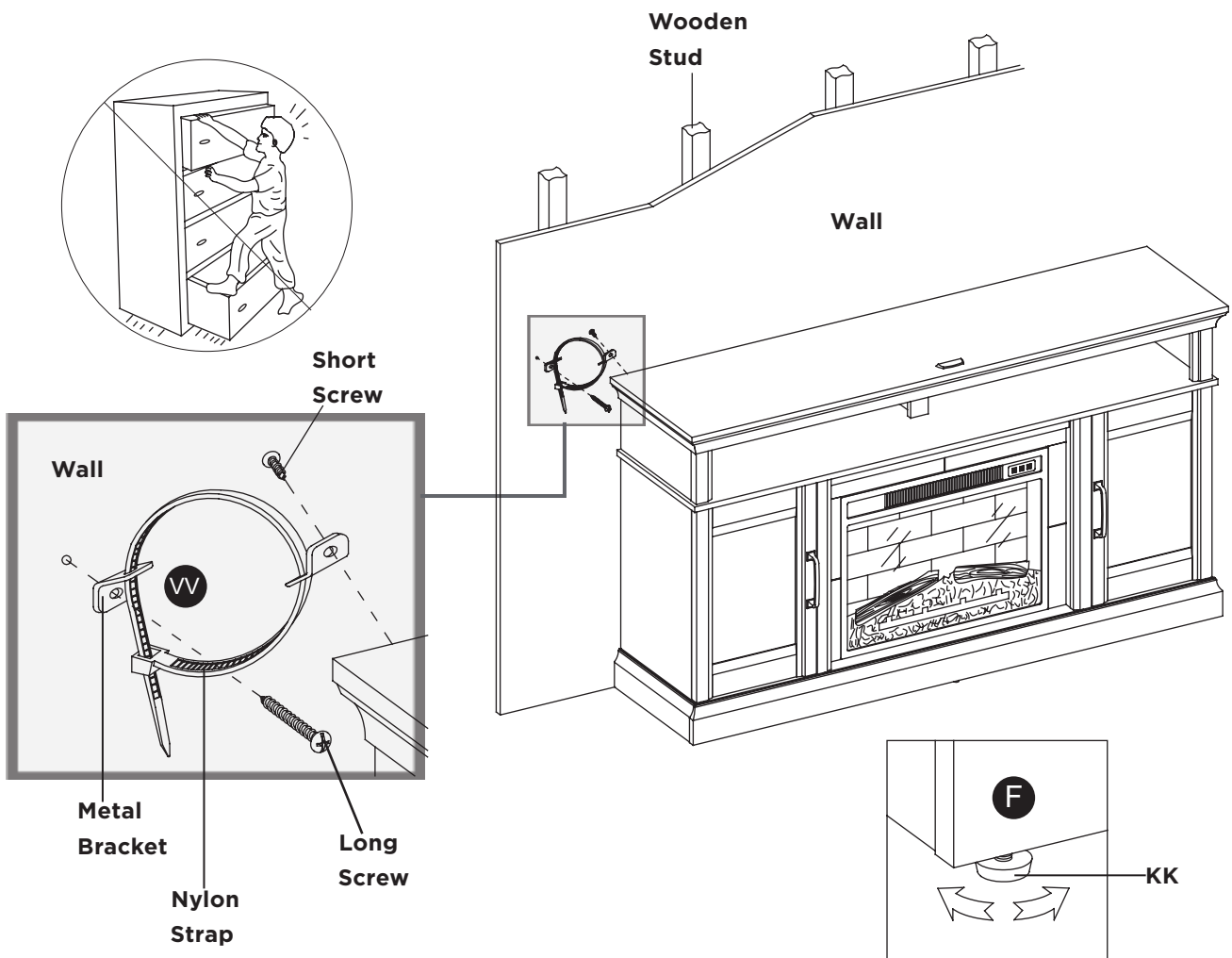
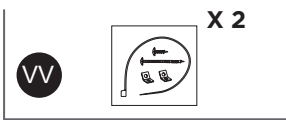
### STEP 32

REQUIRES VV

With assistance, position the assembled fireplace at the desired location against a wall. If necessary, adjust the installed FLOOR LEVELLERS (KK) by hand to correct tilting and level the doors, until the unit is level.

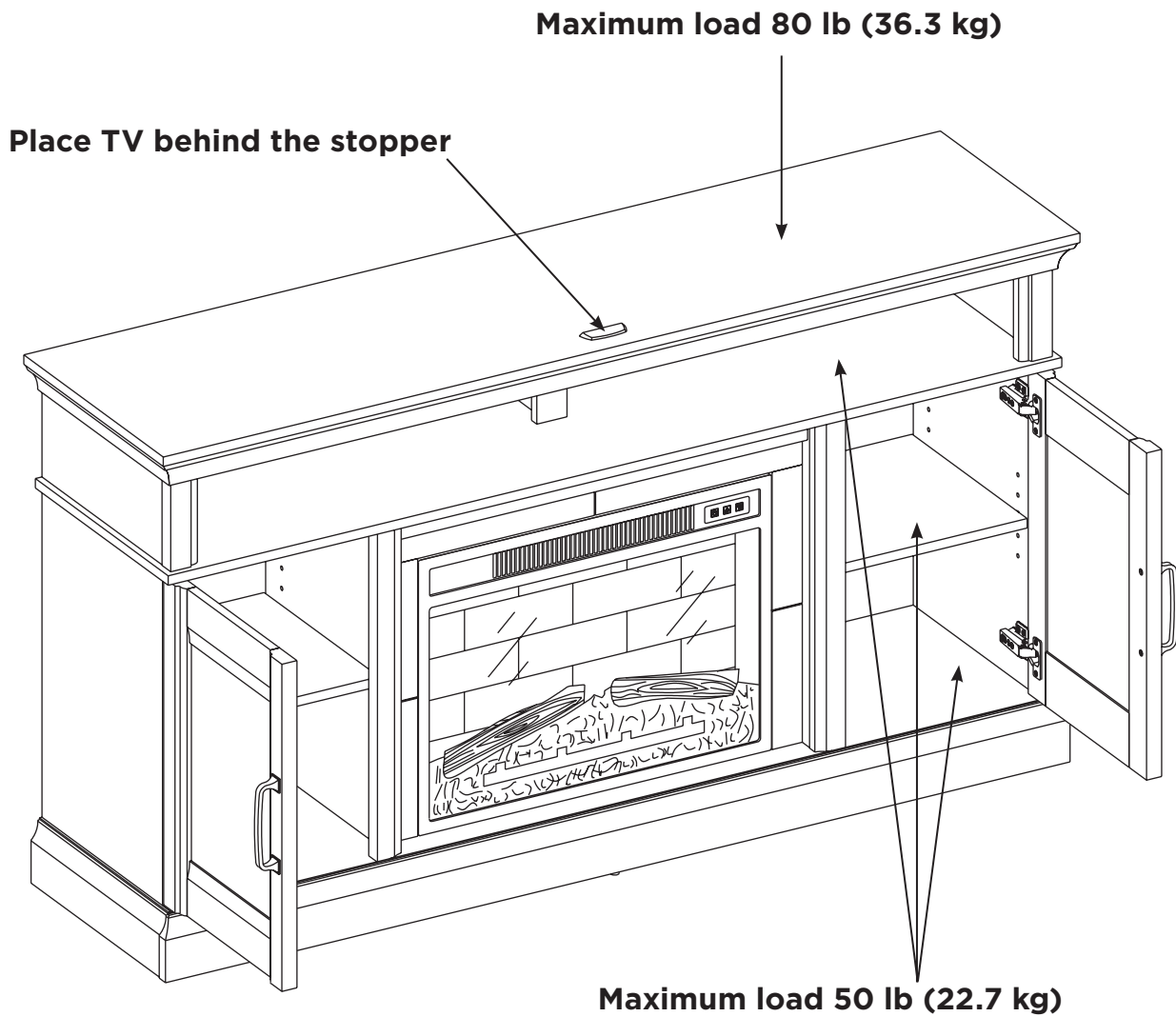
Follow the instructions printed on the plastic bag containing the tipping restraint hardware to attach the TIPPING RESTRAINT HARDWARE (VV) to the unit and the wall.

Plug the fireplace into a dedicated, properly-grounded outlet.



## STEP 32

Put the unit in place.



### WARNING!

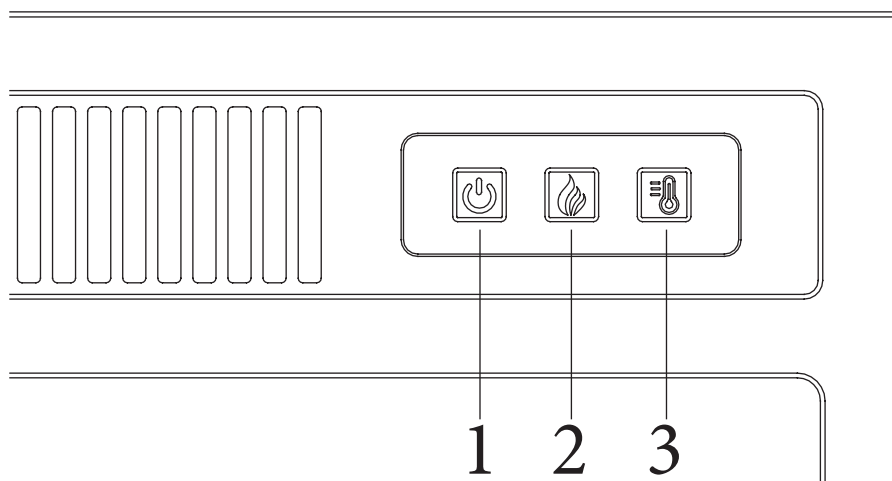
For use with televisions weighing 80 lb (36.3 kg) or less. Use with heavier televisions may cause instability and/or tip over resulting in death or serious injury.

## OPERATING INSTRUCTIONS

### IDENTIFYING THE CONTROL PANEL

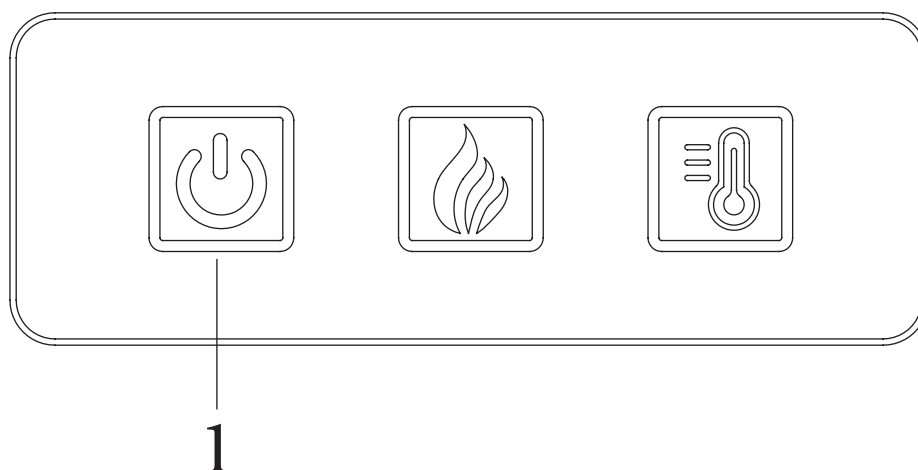
The control panel is located on the top right corner of the fireplace/heater unit.

The control panel contains the main power (1), flame control (2) and heater control (3).



### USING THE MAIN POWER BUTTON

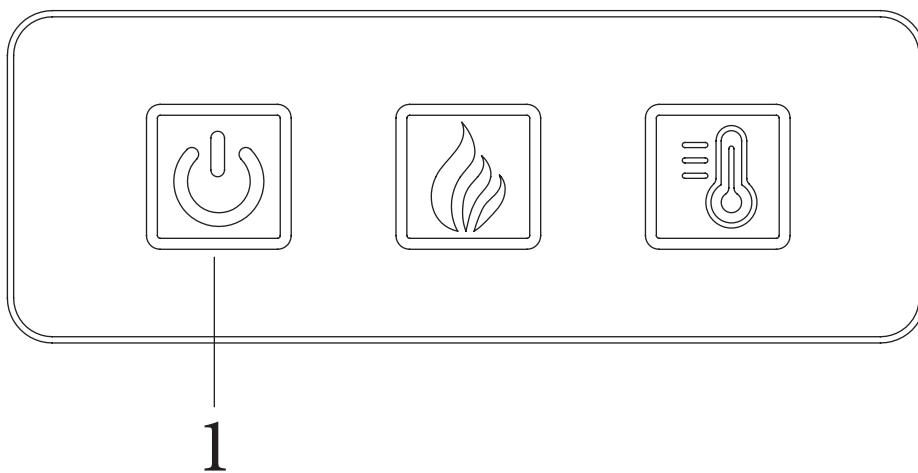
Press the power button (1) to turn the fireplace/heater unit on and off. Press the power button (1) once to turn the unit on. Press again to turn the unit off.



## USING THE DEMO MODE

For use in retail store.

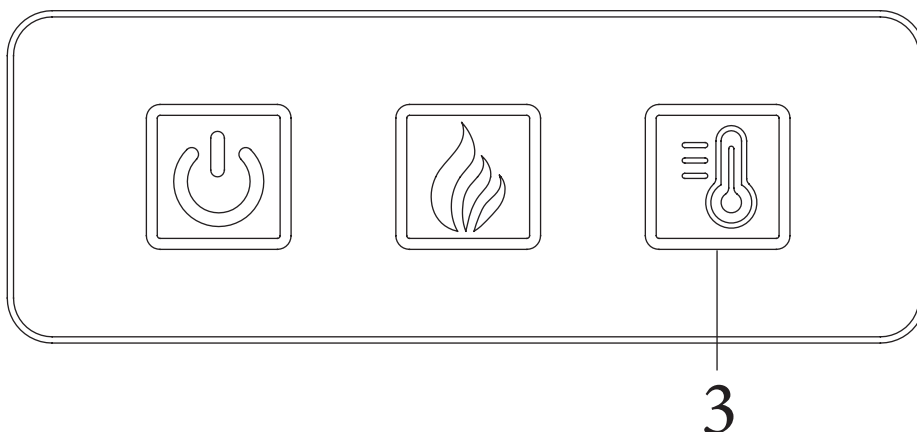
To turn Demo Mode on, press and hold the power button (1) for 10 seconds. The log lights flash several times to indicate that the Demo Mode is turned on. Demo Mode deactivates the heater and all front control panel buttons except the flame control button. To turn Demo Mode off, press and hold the power button (1) for 10 seconds. This fireplace is shipped with Demo Mode turned off for normal customer usage.



## USING THE HEATER CONTROL

Press the heater button (3) to turn ON or OFF the heat function.

If the heater is left on when the unit is turned off by the main power button (1), then the heater will come on automatically, and at the same power level, when the unit is turned back on. If the heater is off when the unit is turned off, then the heater will remain off with the unit is turned back on. Note that turning on the heater will require the flame lights to remain on at high, medium, or low. There is no adjustable thermostat for controlling temperature settings in this unit.



## OPERATING INSTRUCTIONS

### USING THE FLAME CONTROL

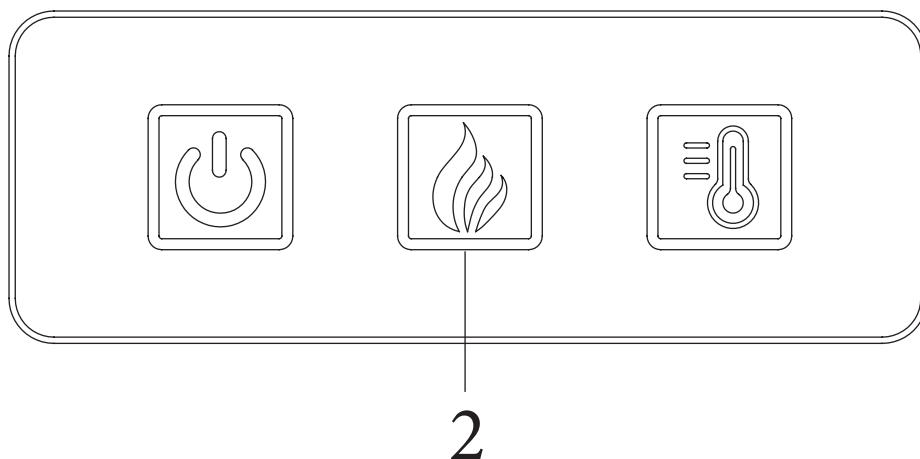
Press the flame button (2) to set the flames for different levels of flame brightness. Control the flame brightness as shown:

Button Press	Flame Level	Fireplace Appearance
1st press	Medium	Flames Medium, Logs Glow Medium
2nd press	Low	Flames Low, Logs Glow Low
3rd press	All Off	Flames Off, Logs Off
4th press	High	Flames Highest, Logs Glow Highest

With the heater function on, the flame level will cycle through the 3 different level settings.

Button Press	Flame Level	Fireplace Appearance
1st press	Medium	Flames Medium, Logs Glow Medium
2nd press	Low	Flames Low, Logs Glow Low
3rd press	High	Flames Highest, Logs Glow Highest

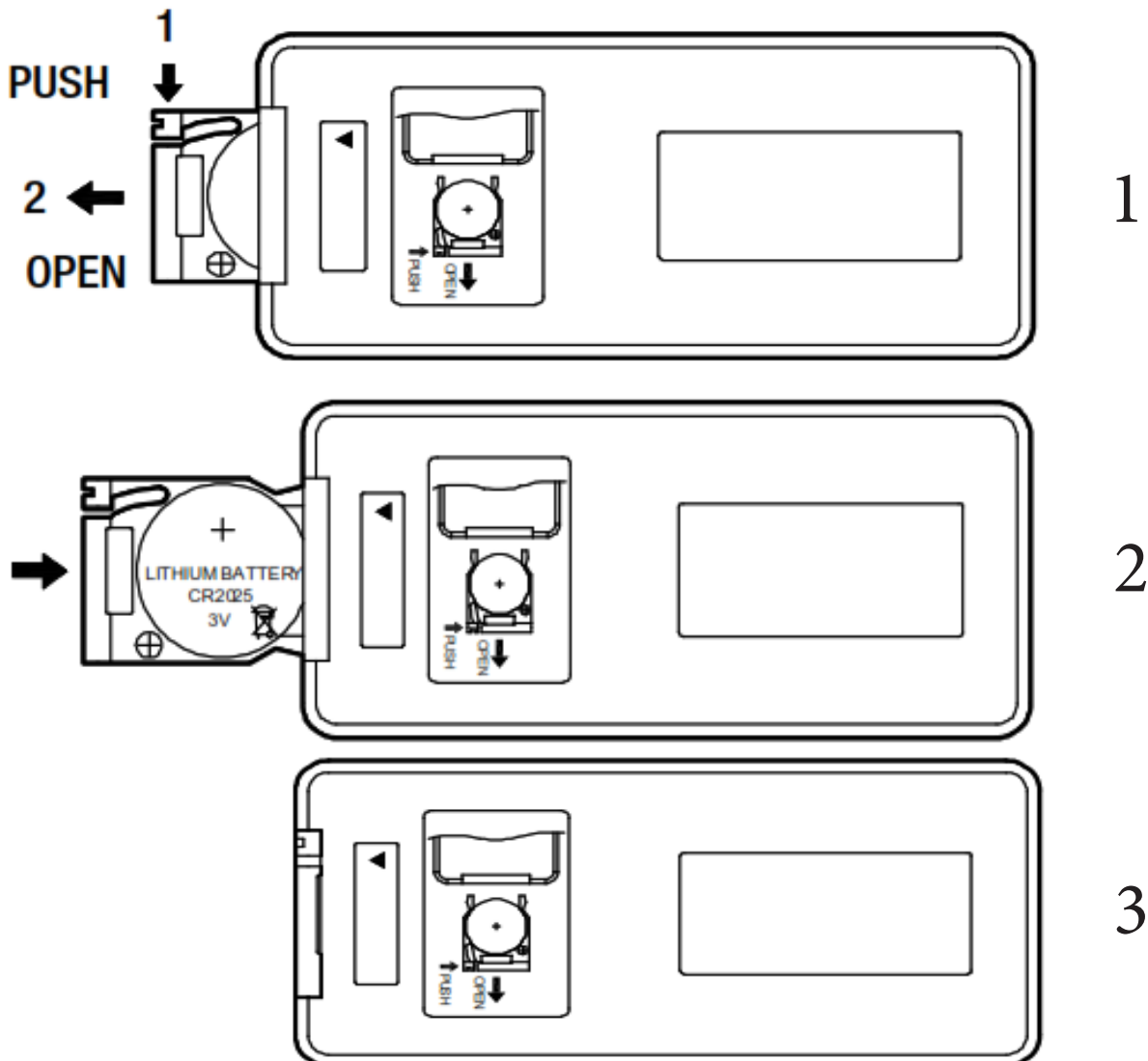
If the flame is off when the unit is turned off using the main power button, the flames will come on at the high setting when you turn the heater on.



## REPLACING THE REMOTE CONTROL BATTERY

The battery is supplied with the remote control. Before first use, remove the plastic sheet insulating the battery. For replacement battery, use a lithium-based CR2025 battery. Please follow the sequence below to replace the battery.

1. Take out the battery bracket.
2. Insert the battery with the button side into the battery bracket, making sure the battery is firmly seated.
3. Press the battery bracket into the remote control, making sure it snaps into position.
4. Turn the remote over and aim it towards the fireplace/heater unit.
5. Press the power button on the top and see if the flames on the fireplace/heater turn on or off.
6. If nothing appears to happen, check to make sure the battery is installed correctly, and try again.



# OPERATING INSTRUCTIONS

## BATTERY SAFETY WARNINGS

### **WARNING: Do not ingest batteries.**

- Non-rechargeable batteries are not to be recharged.
- Batteries are to be inserted with the correct polarity.
- Exhausted batteries are to be removed from the product.
- Always purchase the correct size and grade of battery most suitable for the intended use.
- Clean the battery contacts and also those of the device prior to battery installation.
- Remove batteries from equipment when it is not to be used for an extended period of time.

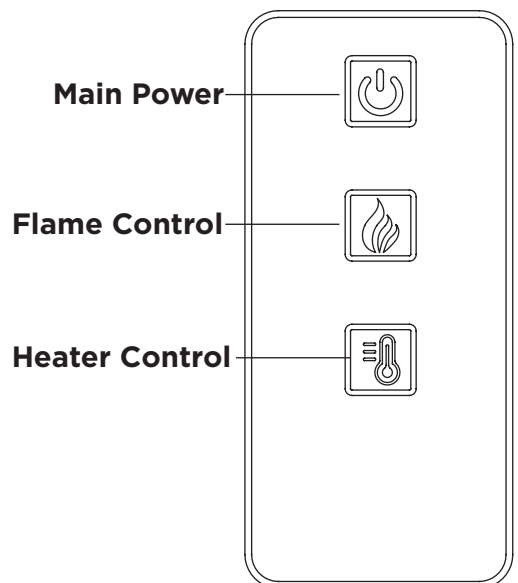
When the remote control stops operating or its range seems reduced, it is time to replace the battery.

Note: The battery should be removed if the product is to be left unused for a long time.

**CAUTION:** Non-rechargeable batteries must not be recharged. Exhausted battery is to be removed from the product.

## USING THE REMOTE CONTROL

The buttons on the remote control work in the same way as the buttons on the front panel of the fireplace/heater. Review the Operating Instructions section for more information on the functionality of these buttons.





## CLEANING AND MAINTENANCE

### DISPOSAL OF USED BATTERY

A battery may contain hazardous substances that could be dangerous to the environment and human health.

This symbol marked on the battery and/or packaging indicates that the used battery shall not be treated as municipal waste. Instead it should be left at an appropriate collection point for recycling.

By ensuring the used battery is disposed of correctly, you will help prevent potential negative consequences for the environment and human health. The recycling of materials will help to conserve natural resources.

For more information about collection and recycling of used batteries, please contact your local municipality, your waste disposal service or the point of sale where you purchased this item.



## CLEANING AND MAINTENANCE

- Make sure the unit is turned OFF, unplugged and the heating elements are cool whenever you are cleaning the heater.
- Clean the metal trim using a water-dampened soft, clean cloth. DO NOT use brass polish or household cleaners as these products will damage the metal trim.
- The motors used on the fan and the flame generator assembly are pre-lubricated for extended bearing life and require no further lubrication. However, periodic cleaning/vacuuming of the fan/heater and air intake/output vents is recommended.
- Any other servicing should be performed by an authorized service representative.

## TROUBLESHOOTING

### PROBLEM

Using the fireplace with the heater ON causes a trip in my power circuit.

### SOLUTION

- Fireplace is not to be used with a power strip or extension cord. Make sure your unit is plugged by itself into a standard qualifying wall outlet that is properly grounded.

The unit does not turn on.

- Check that the unit is fully plugged into a standard 120 V outlet.
- Press the power button on the control panel.

There is a visible flame effect, but the heater does not continue to blow warm air after repeatedly turning on the heater. The heater continues to automatically shut itself off after a few minutes.

- Turn on/off the Heater button several times to make sure it is in the "ON" position.
- Make sure that the Demo Mode is turned off.
- To deactivate Demo Mode, press and hold the power button for 10 seconds.

The heater does not work, but the power and heater switches are in the "ON" position.

- Turn off fireplace and unplug the unit from the wall outlet for 5 minutes. After 5 minutes, plug the unit back into the wall outlet and operate as normal. Make sure that no objects are blocking the air vents on the back and on the front of your fireplace.

Remote control is not working.

- Change the remote battery.
- Operate remote transmitter at a slow measured pace. Repeatedly pressing buttons in rapid succession may cause the transmitter to malfunction.
- Press the remote control buttons with an even motion and gentle pressure.
- Stand closer to your fireplace.
- Remove objects that may block your remote control's ability to communicate with your fireplace.

## WARRANTY INFORMATION



### 1-YEAR LIMITED WARRANTY\*

This CANVAS product carries a one (1) year warranty against defects in workmanship and materials. Trileaf Distribution agrees to replace the defective product free of charge within the stated warranty period, when returned by the original purchaser with proof of purchase. This product is not guaranteed against wear or breakage due to misuse and/or abuse.

MODEL NO. 064-4015-0

Made in Vietnam

Imported by Trileaf Distribution Trifeuil Toronto, Canada M4S 2B8

**CANVAS**<sup>TM/MC</sup>

Exclusively at Canadian Tire

