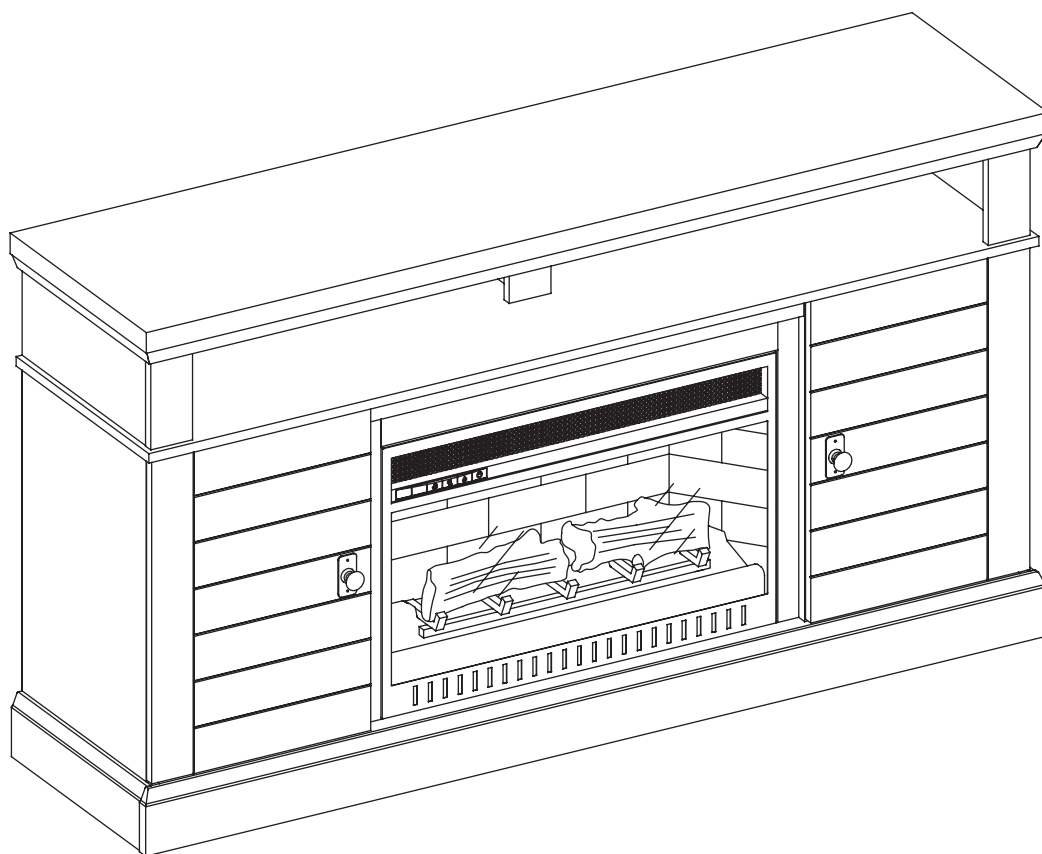


CANVAS^{TM/MC}

60" ASHCROFT MEDIA FIREPLACE

MODEL NO. 064-4017-6



ASSEMBLY INSTRUCTIONS



HAVING TROUBLE?

TOLL-FREE:

1-888-670-6684

CANVAS™

INSPIRED BY CANADA



We believe in the power of décor and its ability to make up the fabric of your home.

That's why **CANVAS®** collections draw **inspiration from Canadians and the way they live.**

From on-trend furniture pieces to holiday décor and all your outdoor living essentials, **CANVAS®** makes it easy to refresh your space to reflect **your unique style and the way you live every day.**

We would love to hear from you and welcome your thoughtful feedback. Visit our website at canadiantire.ca to tell us about your experience, and share your photos with us using **#mycanvasstyle.**

Show us how you bring **CANVAS®** products to life. We can't wait to see!

TABLE OF CONTENTS

Safety Information	4
Parts List	6
Step-by-step Guide	10
Operating Instructions	39
Cleaning and Maintenance	46
Troubleshooting	47
Warranty Information	48



WARNING! TO REDUCE THE RISK OF SERIOUS INJURY, READ THE FOLLOWING SAFETY INSTRUCTIONS BEFORE ASSEMBLING AND OPERATING THIS FIREPLACE.

When using electrical appliances, basic precautions should always be followed to reduce the risk of fire, electric shock and injury to persons, including the following:

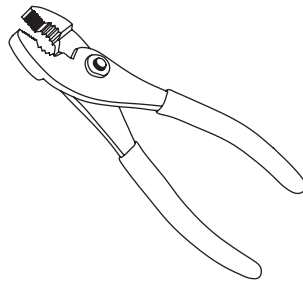
- If the information in this manual is not followed exactly, an electric shock or fire may result causing property damage, personal injury or loss of life.
- This appliance is hot when in use. To avoid burns, do not let bare skin touch hot surfaces. Keep combustible materials, such as furniture, pillows, bedding, papers, clothes and curtains, at least 3' (0.9 m) from the front of the heater and keep them away from the sides and rear.
- Extreme caution is necessary when any heater is used near children or by with individuals with disabilities and whenever the fireplace is left operating and unattended.
- Do not run cord under carpeting. Do not cover cord with throw rugs, runners, or similar covering. Arrange cord away from traffic areas and where it will not be tripped over.
- Do not insert or allow foreign objects to enter any ventilation or exhaust opening as this may cause an electric shock or fire, or damage the appliance.
- This appliance has hot and arcing or sparking parts inside. Do not use it in areas where gasoline, paint or flammable vapours or liquids are used or stored.

This fireplace should not be used as a drying rack for clothing.
Christmas stockings or decorations should not be hung on it or near it.

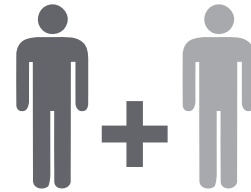
TOOLS REQUIRED



Cross-head
Screwdriver



Pliers



2 people

SAFETY INFORMATION

IMPORTANT SAFETY INFORMATION

Use this appliance only as described in the manual. Any other use is not recommended by the manufacturer and may cause fire, electric shock or injury to persons. Read all instructions before installing or using the fireplace.

1. Read all instructions before using this heater.
2. Do not use this heater outdoors.
3. This heater is not intended for use in bathrooms, laundry areas and similar indoor locations. Never locate the heater where it may fall into a bathtub or other water container.
4. Do not run the power cord under carpeting. Do not cover the power cord with throw rugs, runners, or the like. Arrange the power cord away from traffic areas and where it will not be tripped over.
5. To disconnect the heater, turn controls to off, then remove the plug from the outlet.
6. Connect to properly grounded outlets only. Always plug heaters directly into a wall outlet/receptacle. Never use with an extension cord or relocatable power tap (outlet/power strip).
7. To prevent a possible fire, do not block firebox air intakes or the exhaust in any manner. Do not operate the firebox on soft surfaces, like a bed, where openings may become blocked.
8. There is a thermostat limiter inside the heater. When the inner temperature

overheats or abnormal heating occurs, the thermostat protective device cuts off the power supply to avoid fireplace damage and reduce the risk of fire.

9. Use this heater only as described in this manual. Any other use not recommended by the manufacturer may cause fire, electric shock, or injury to persons.
10. If possible, always unplug this appliance when not in use.
11. Do not operate any heater with a damaged cord or plug or after the heater malfunctions.
12. Do not operate any heater if it has been dropped or damaged in any manner. Disconnect power at service panel and have heater inspected by a reputable electrician before reusing.
13. Any repairs to this fireplace should be carried out by a qualified service person.

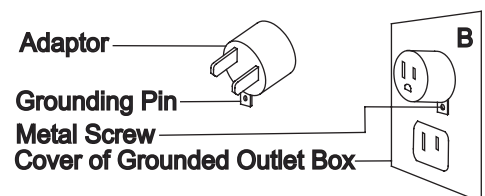
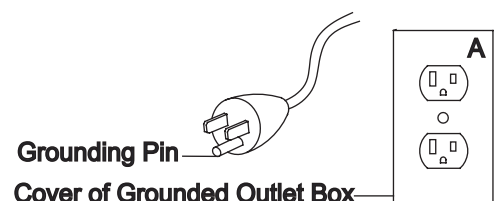
14. Under no circumstances should this fireplace be modified. Parts having to be removed for servicing must be replaced prior to operating this fireplace again.
15. Only connect to properly grounded outlets.
16. This appliance, when installed, must be electrically grounded in accordance with local codes, with the current CSA C22.2 Canadian Electrical Code or follow the National Electrical Code, ANSI/NFPA N0.70.
17. The heater must not be located immediately below a wall outlet/receptacle.
18. Do not slide insert on top of wood to avoid scratching wood surface.
19. Do not place any objects on top of insert and top air intake vents as this will cause unit to overheat and can cause a fire.

SAVE THESE INSTRUCTIONS

A 15 A, 120 V, 60 Hz circuit with a properly grounded outlet is required. Preferably, the fireplace should be on a dedicated circuit as other appliances on the same circuit may cause the circuit breaker to trip or the fuse to blow when the heater is in operation. The unit comes standard with 6' (1.8 m) three-wire cord, exiting from the rear of the fireplace. Do not exceed the current rating of the current tap. Always plug heaters directly into a wall outlet/receptacle. Never use with an extension cord or relocatable power tap (outlet/power strip).

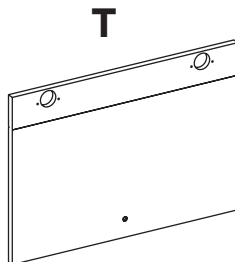
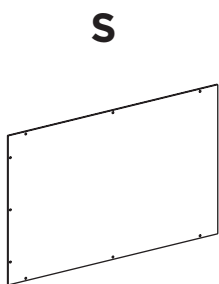
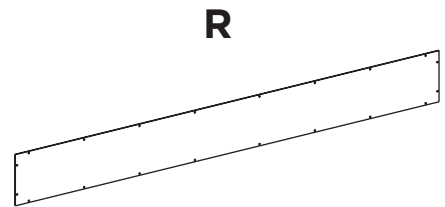
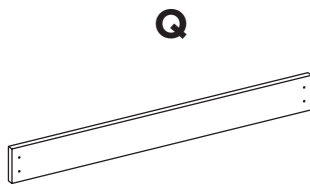
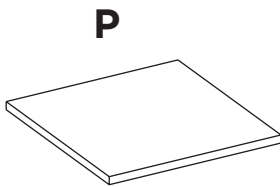
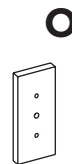
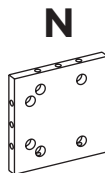
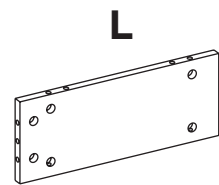
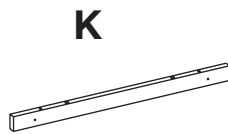
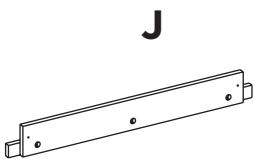
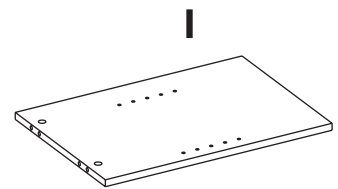
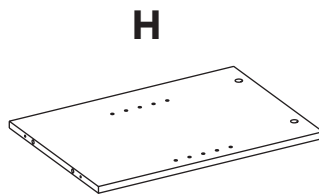
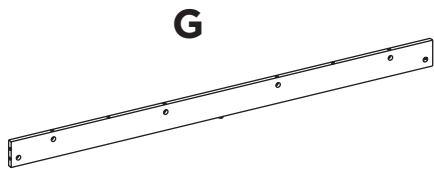
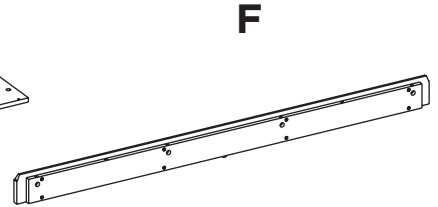
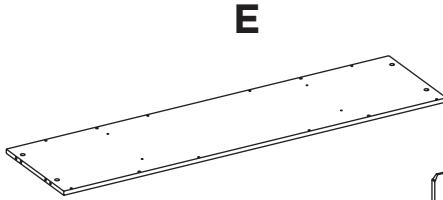
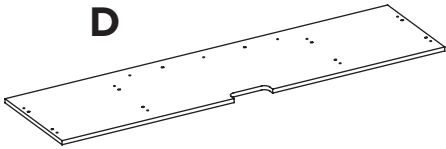
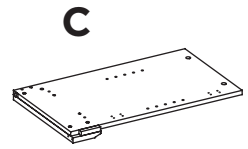
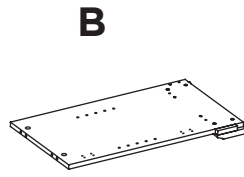
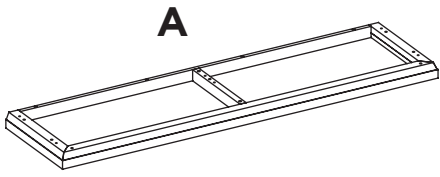
- This heater is for use on a 120 V outlet. The cord has a plug as shown. See illustration for grounding instructions. An adaptor as shown in Fig. B is available for connecting three-blade grounding type plugs to two-slot receptacles. The green grounding plug extending from the adaptor must be connected to a permanent ground such as a properly grounded outlet box. The adaptor should not be used if a three-slot grounded receptacle is available.

NOTE: The use of grounded adapters are banned in certain jurisdictions in Canada due to safety concerns. Use of grounded adapters on two-slot receptacles is unsafe and should only be installed by a certified electrician. Check with local laws to ensure compliance with legal requirements.

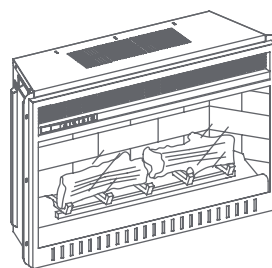


PARTS LIST

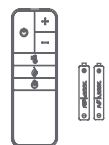
ITEM	DESCRIPTION	QUANTITY
A	Top Panel	1
B	Lower Left Side Panel	1
C	Lower Right Side Panel	1
D	Middle Shelf	1
E	Bottom Panel	1
F	Bottom Front Stretcher	1
G	Bottom Rear Stretcher	1
H	Lower Left Partition Panel	1
I	Lower Right Partition Panel	1
J	Middle Crossbar	1
K	Middle Stile	2
L	Upper Side Panel	2
M	Upper Side Panel Moulding	2
N	Upper Partition Panel	1
O	Upper Partition Panel Moulding	1
P	Adjustable Shelf	2
Q	Firebox Support	1
R	Upper Back Panel	1
S	Lower Side Back Panel	2
T	Door Panel	2
WH100-26C2D-R	Fireplace Insert	1
OORC006	Remote Control with Battery	1



WH100-26C2D-R



00RC006

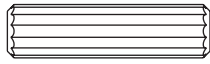


PARTS LIST

ITEM	DESCRIPTION	QUANTITY
AA	Wood Dowel	45 + (5)
BB	Cam Lock	43 + (5)
CC	Cam Bolt	43 + (5)
DD	Short Flat-head Screw	4 + (1)
EE	Medium Flat-head Screw	4 + (1)
FF	Long Flat-head Screw	4 + (1)
GG	Short Pan-head Screw	8 + (1)
HH	Washer-head Screw	38+ (4)
II	Metal Bracket	2
JJ	Triangle Metal Plate	2
KK	Floor Leveller	2
LL	Long Pan-head Screw	8 + (1)
MM	Shelf Support	8 + (1)
NN	Zinc Screw	24 + (3)
OO	Hinge	4
PP	L-shaped Metal Bracket	2
QQ	Knob	2
RR	Knob Bolt	2
SS	Cam Lock Cover	26 + (3)
TT	Rubber Bumper	4 + (1)
UU	Acrylic Stopper	1
VV	Glue	2
WW	Touch-up Pen	1
XX	Tipping Restraint Hardware	2

Hardware indicated in brackets () are extra if needed.

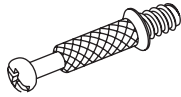
AA



BB



CC



DD



EE



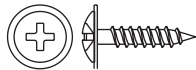
FF



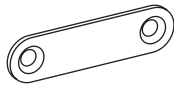
GG



HH



II



JJ



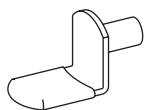
KK



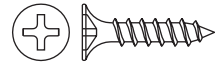
LL



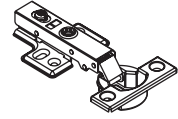
MM



NN



OO



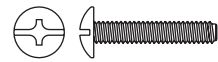
PP



QQ



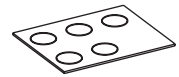
RR



SS



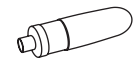
TT



UU



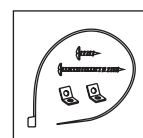
VV



WW



XX

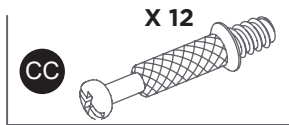


STEP-BY-STEP GUIDE

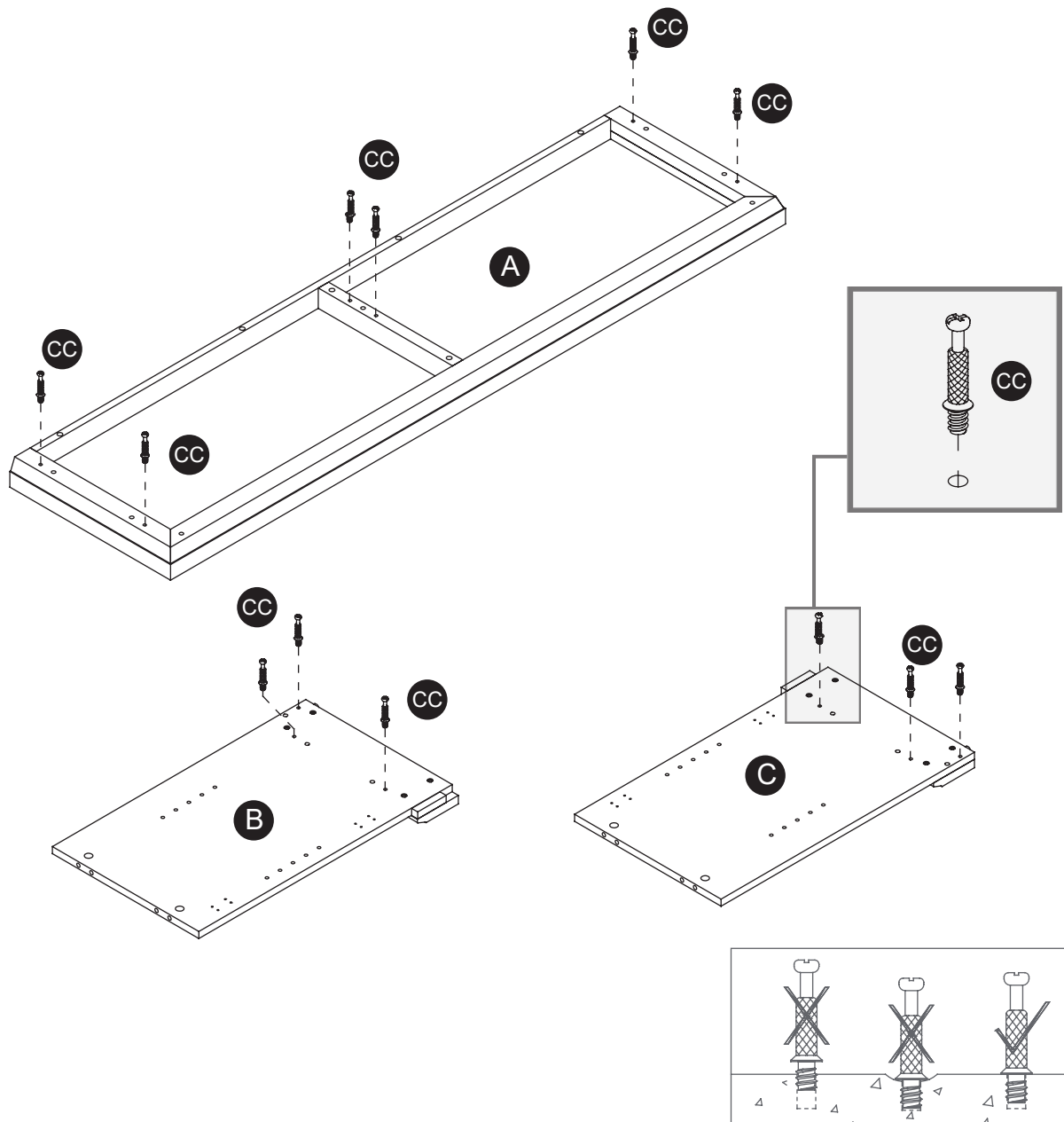
STEP 1

REQUIRES A, B, C, CC

Securely screw the CAM BOLTS (CC) into the designated small holes on the TOP PANEL (A) and LOWER SIDE PANELS (B and C) using a cross-head screwdriver.



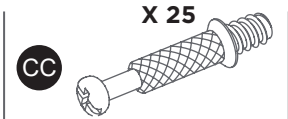
Not actual size



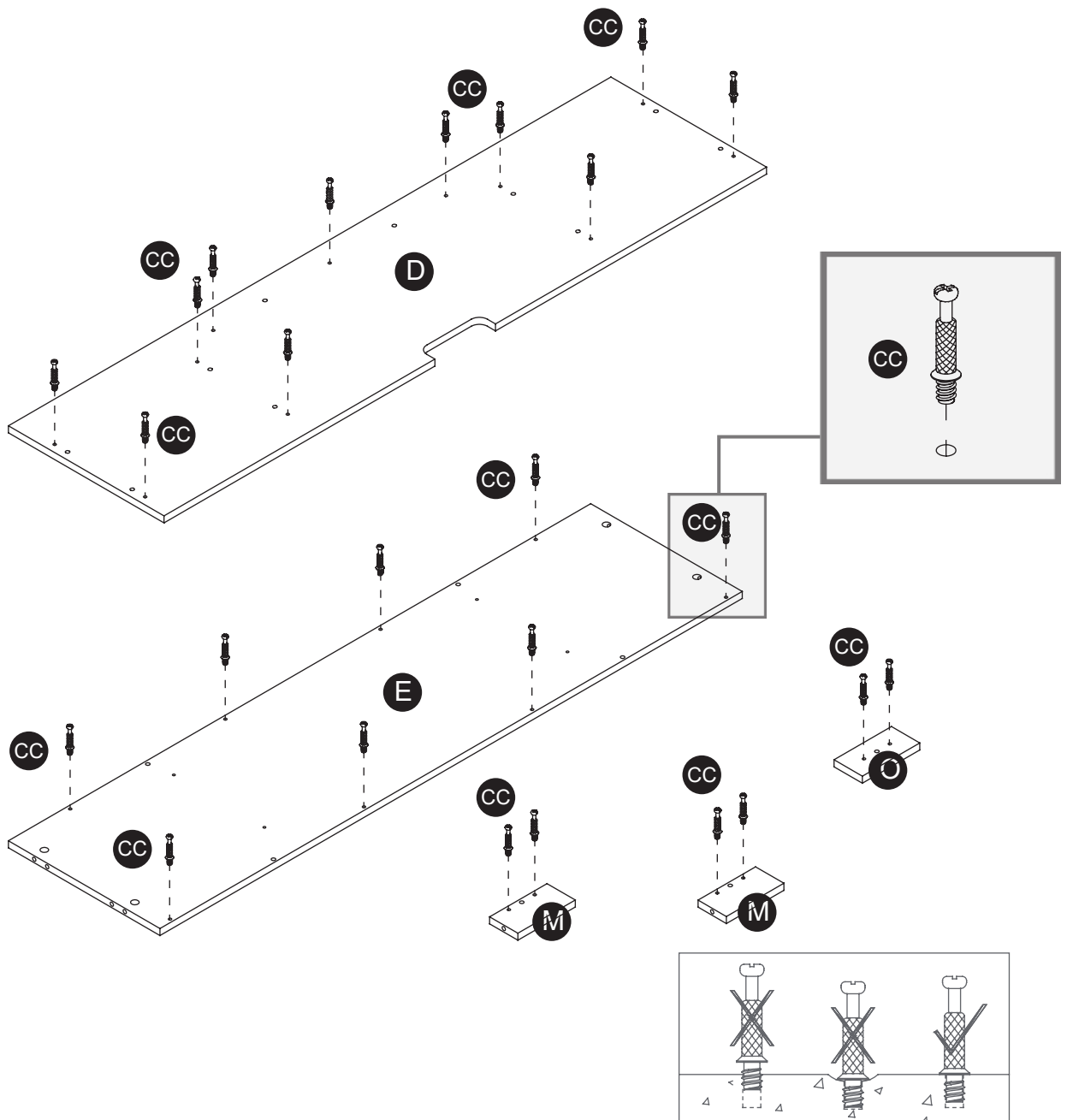
STEP 2

REQUIRES D, E, M, O, CC

Securely screw the CAM BOLTS (CC) into the designated small holes on the MIDDLE SHELF (D), BOTTOM PANEL (E), UPPER SIDE PANEL MOULDINGS (M) and UPPER PARTITION PANEL MOULDING (O) using a cross-head screwdriver.



Not actual size

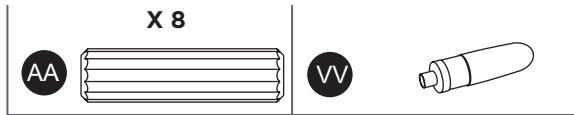


STEP-BY-STEP GUIDE

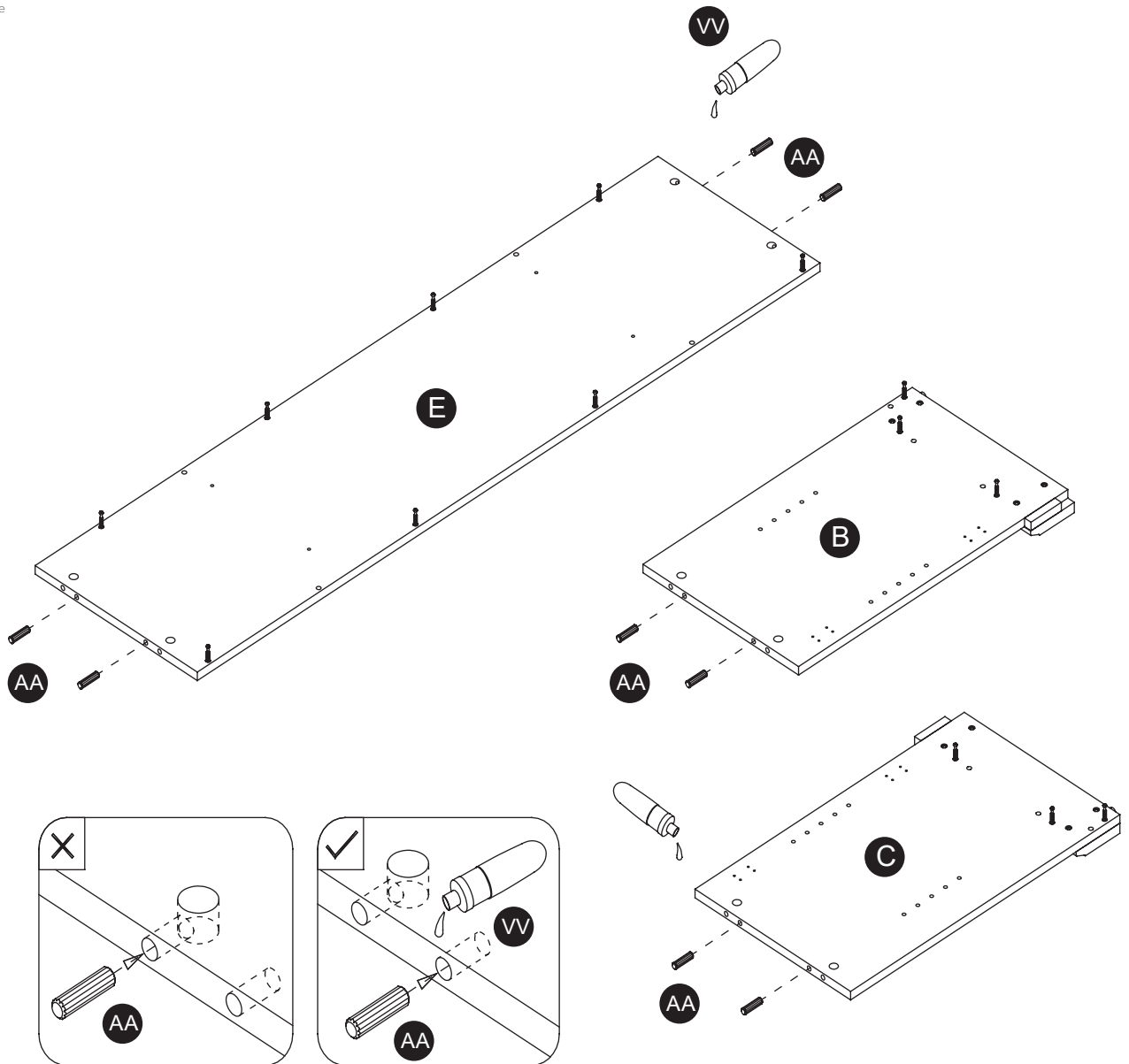
STEP 3

REQUIRES E, B, C, AA, VV

Glue the WOOD DOWELS (AA) into the inner holes on the BOTTOM PANEL (E) and LOWER SIDE PANELS (B and C) as shown.



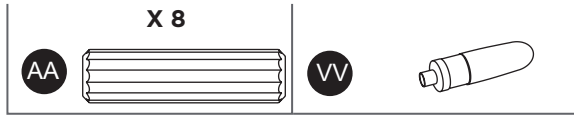
Not actual size



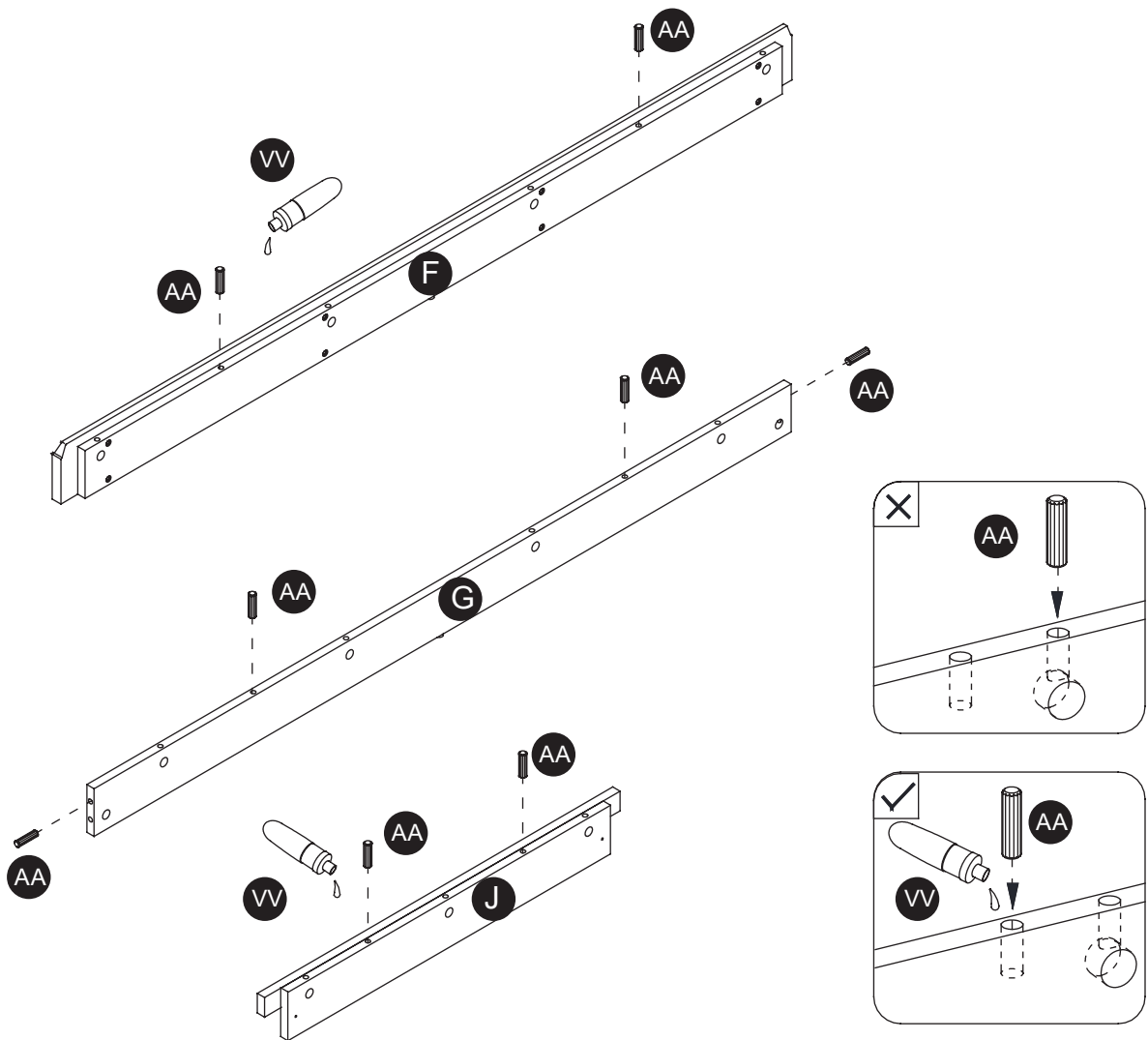
STEP 4

REQUIRES F, G, J, AA, VV

Glue the WOOD DOWELS (AA) into the inner holes on the BOTTOM FRONT STRETCHER (F), BOTTOM REAR STRETCHER (G) and MIDDLE CROSSBAR (J) as shown.



Not actual size

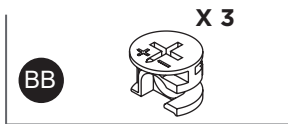


STEP-BY-STEP GUIDE

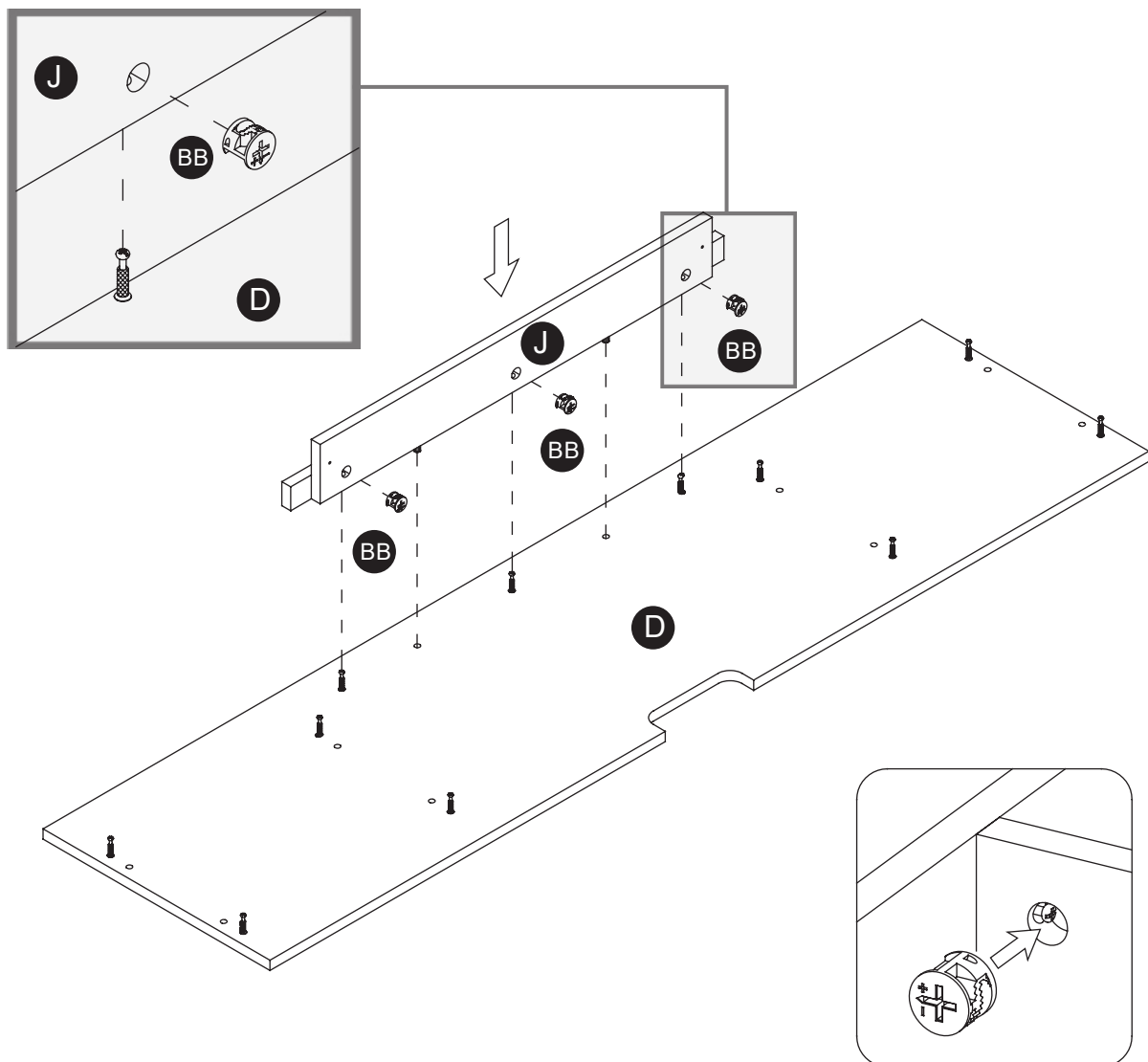
STEP 5

REQUIRES D, J, BB

Attach the MIDDLE CROSSBAR (J) to the MIDDLE SHELF (D) by engaging three CAM LOCKS (BB).



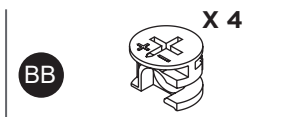
Not actual size



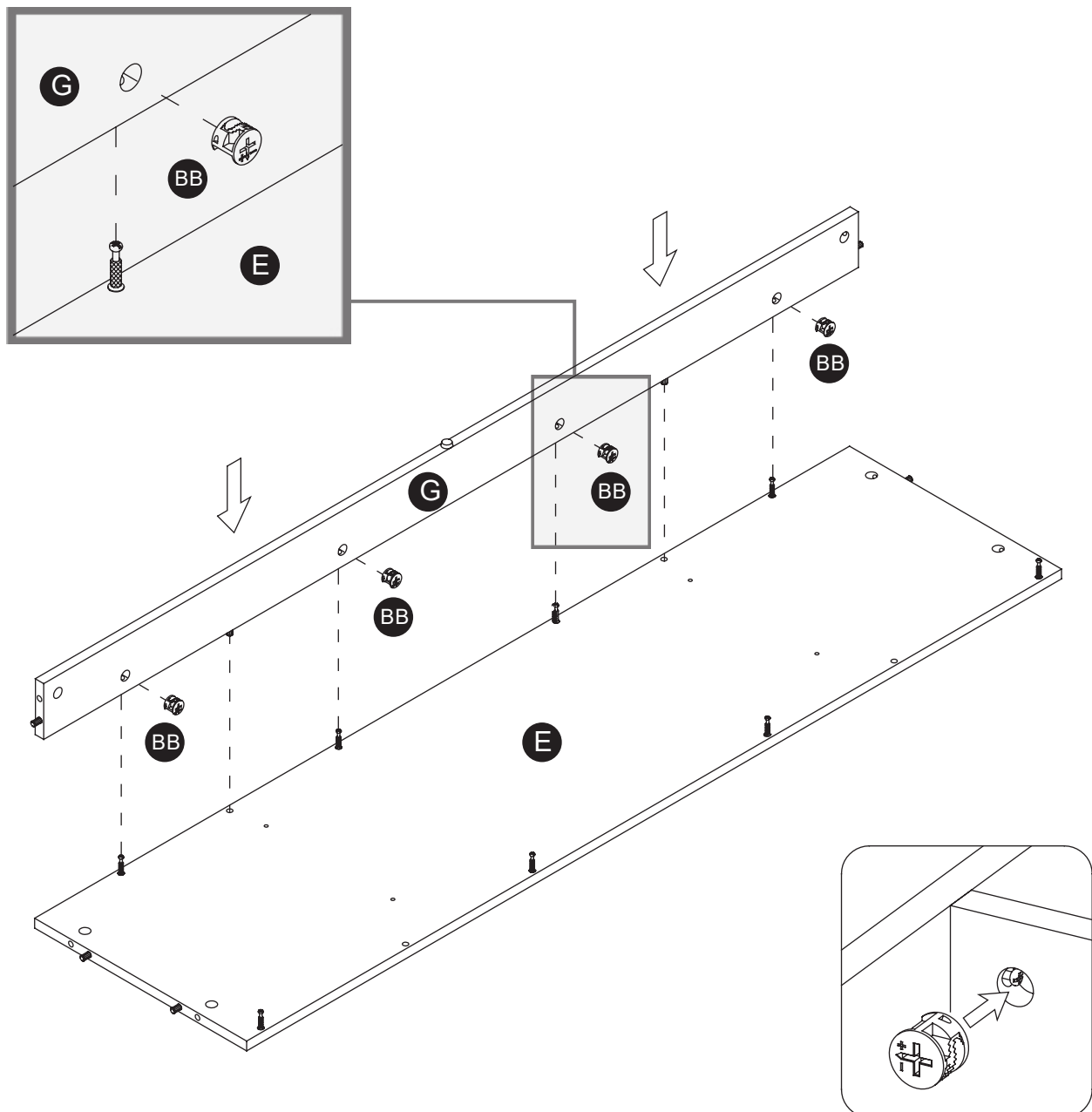
STEP 6

REQUIRES E, G, BB

Attach the **BOTTOM REAR STRETCHER (G)** to the **BOTTOM PANEL (E)** by engaging four **CAM LOCKS (BB)**.



Not actual size

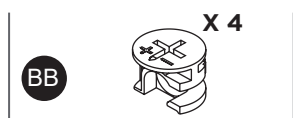


STEP-BY-STEP GUIDE

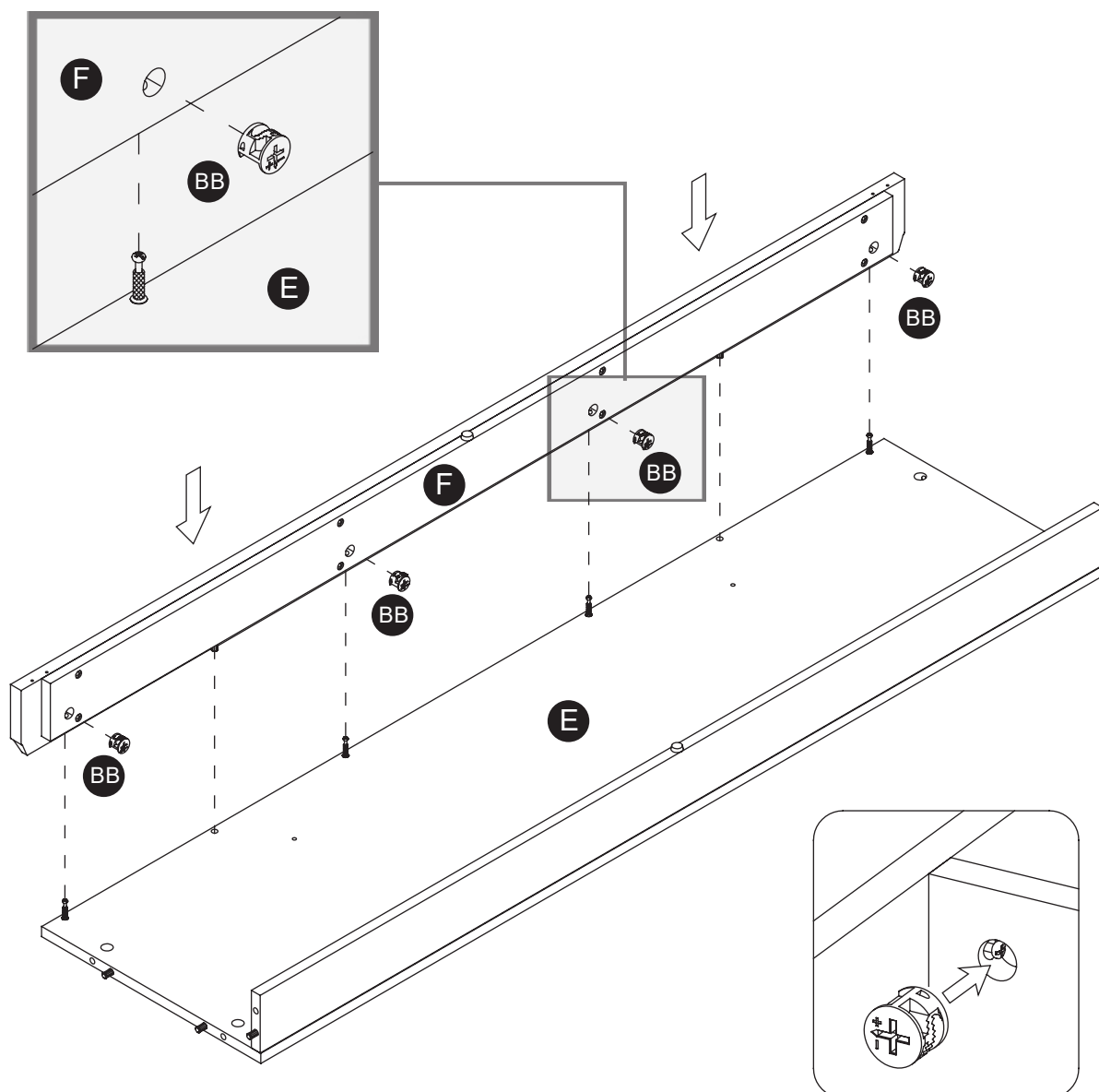
STEP 7

REQUIRES E, F, BB

Attach the **BOTTOM FRONT STRETCHER (F)** to the **BOTTOM PANEL (E)** by engaging four **CAM LOCKS (BB)**.



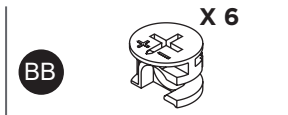
Not actual size



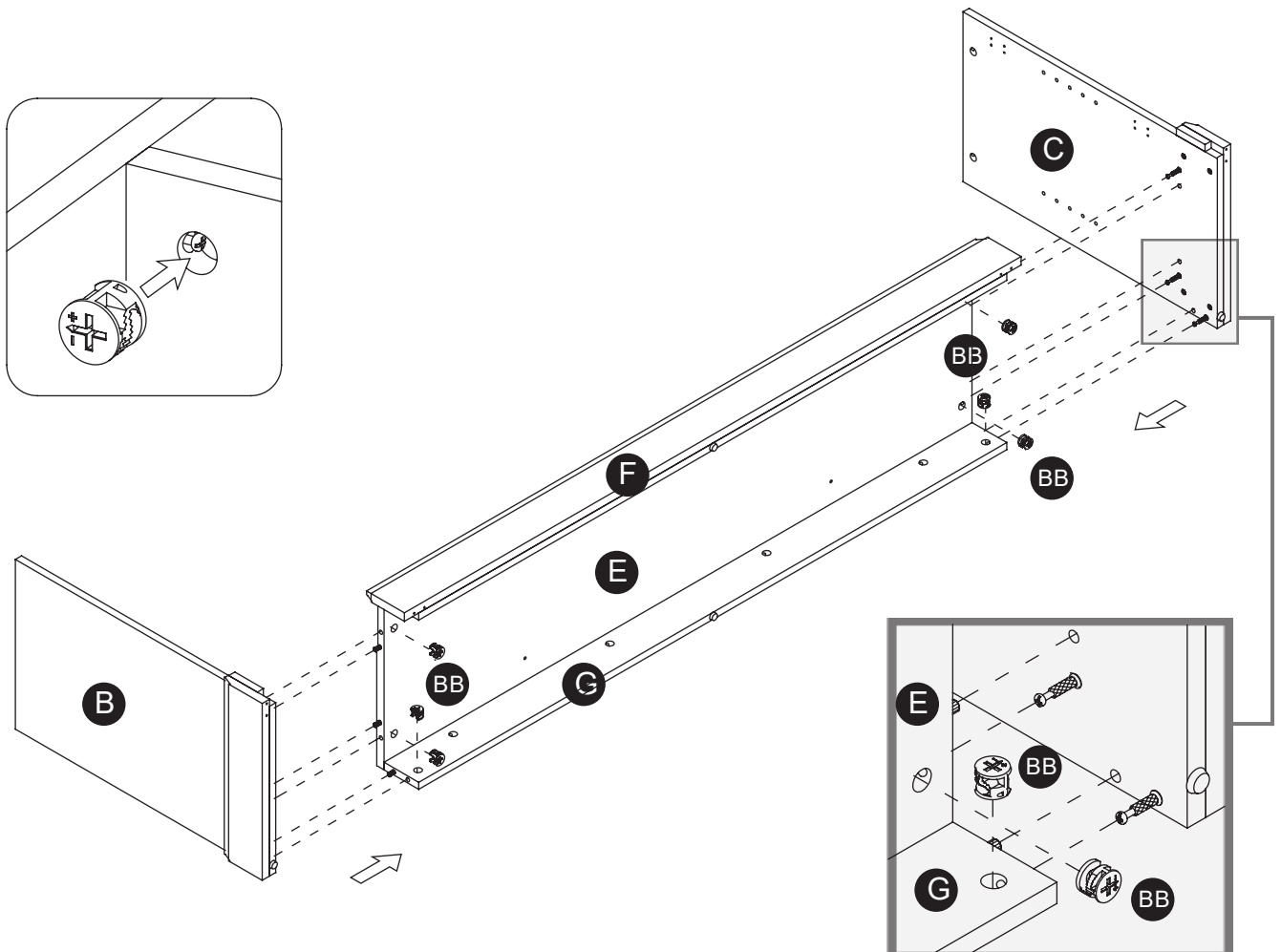
STEP 8

REQUIRES B, C, E, F, G, BB

Align the large holes on both LOWER SIDE PANELS (B and C) with inserted WOOD DOWELS (AA) and press them together. Attach the LOWER SIDE PANELS (B and C) in place by engaging six CAM LOCKS (BB).



Not actual size

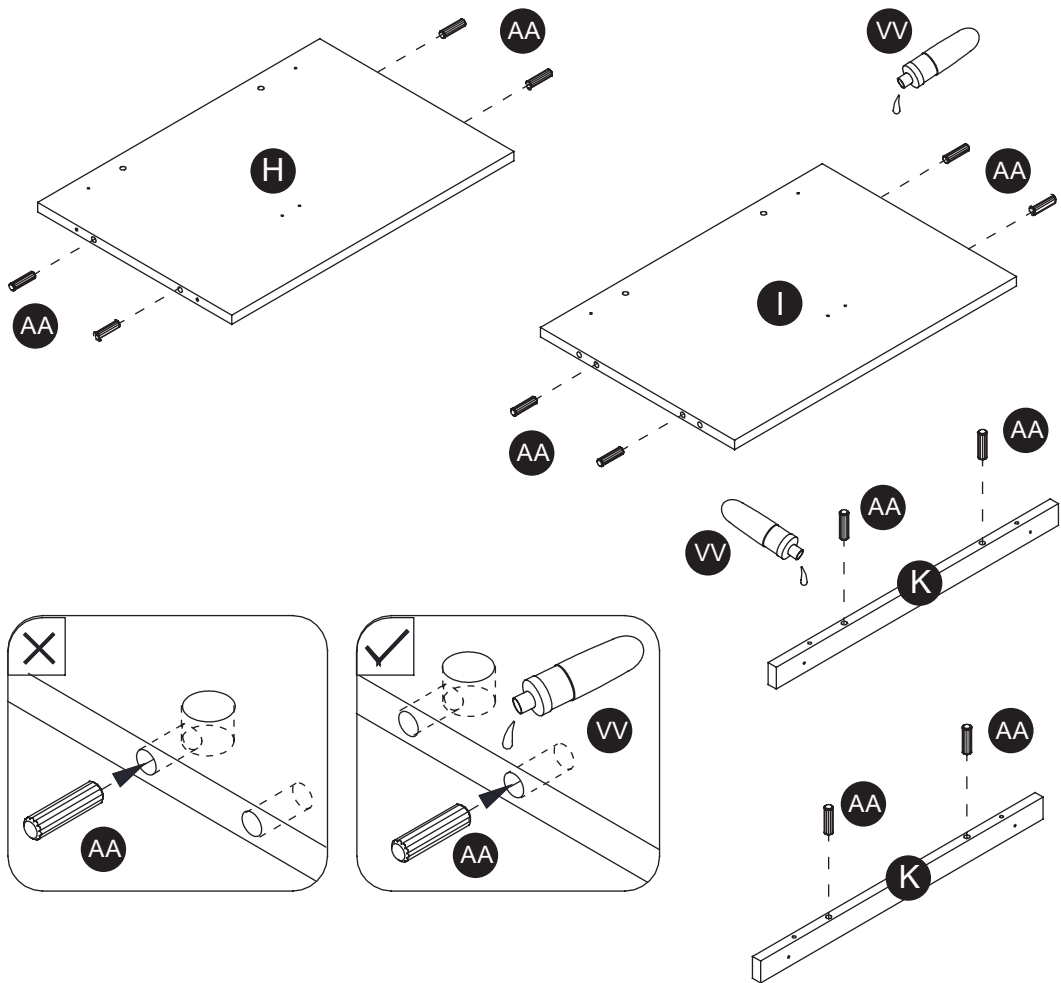
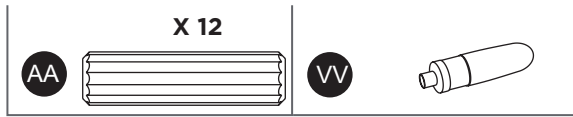


STEP-BY-STEP GUIDE

STEP 9

REQUIRES H, I, K, AA, VV

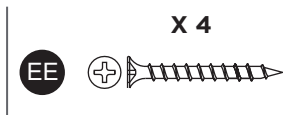
Glue the WOOD DOWELS (AA) into the inner holes on the LOWER PARTITION PANELS (H and I) and MIDDLE STILES (K) as shown.



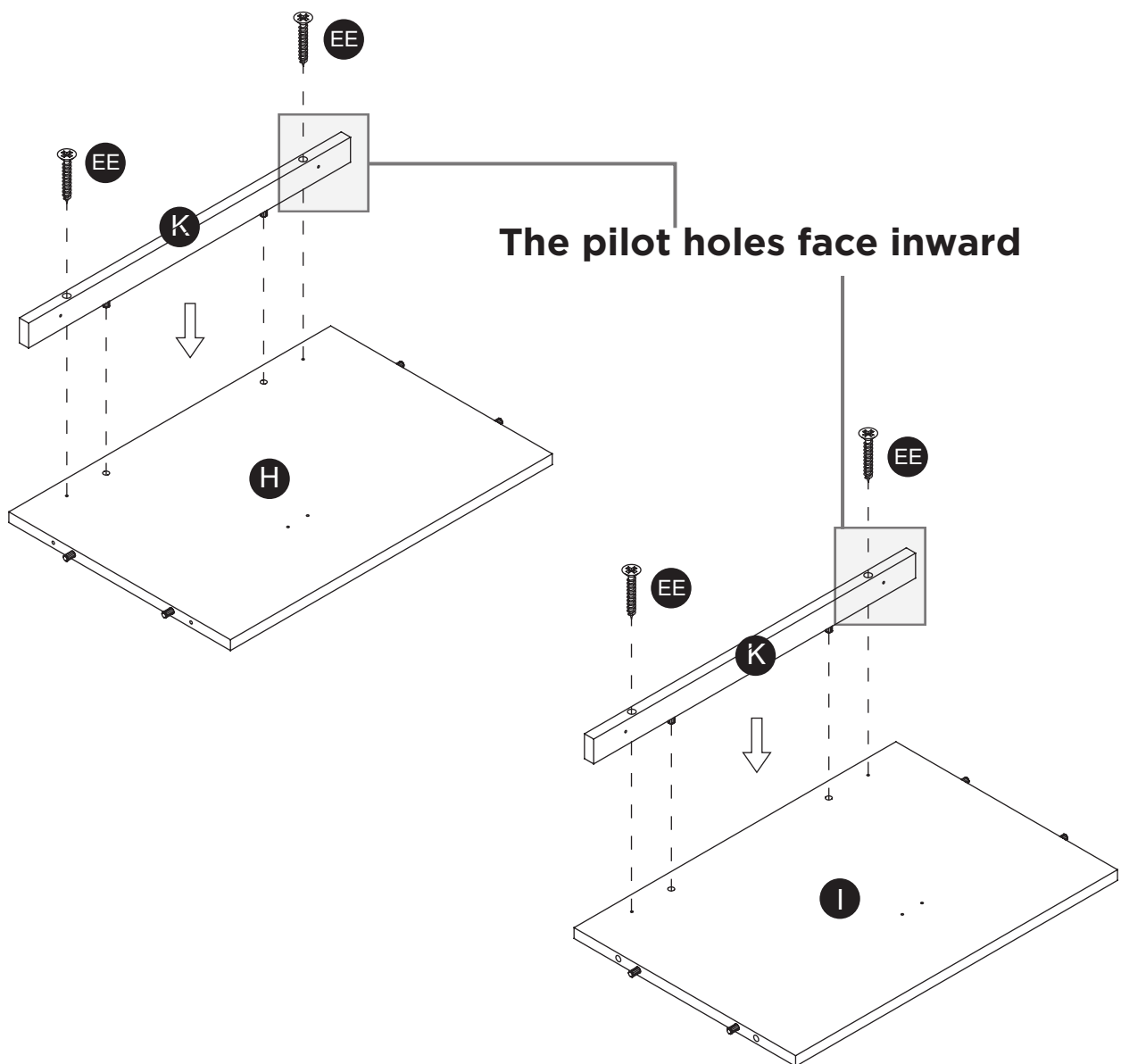
STEP 10

REQUIRES H, I, K, EE

Fasten the MIDDLE STILES (K) to the LOWER PARTITION PANELS (H and I) with two MEDIUM FLAT-HEAD SCREWS (EE) in each.



Not actual size

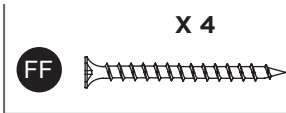


STEP-BY-STEP GUIDE

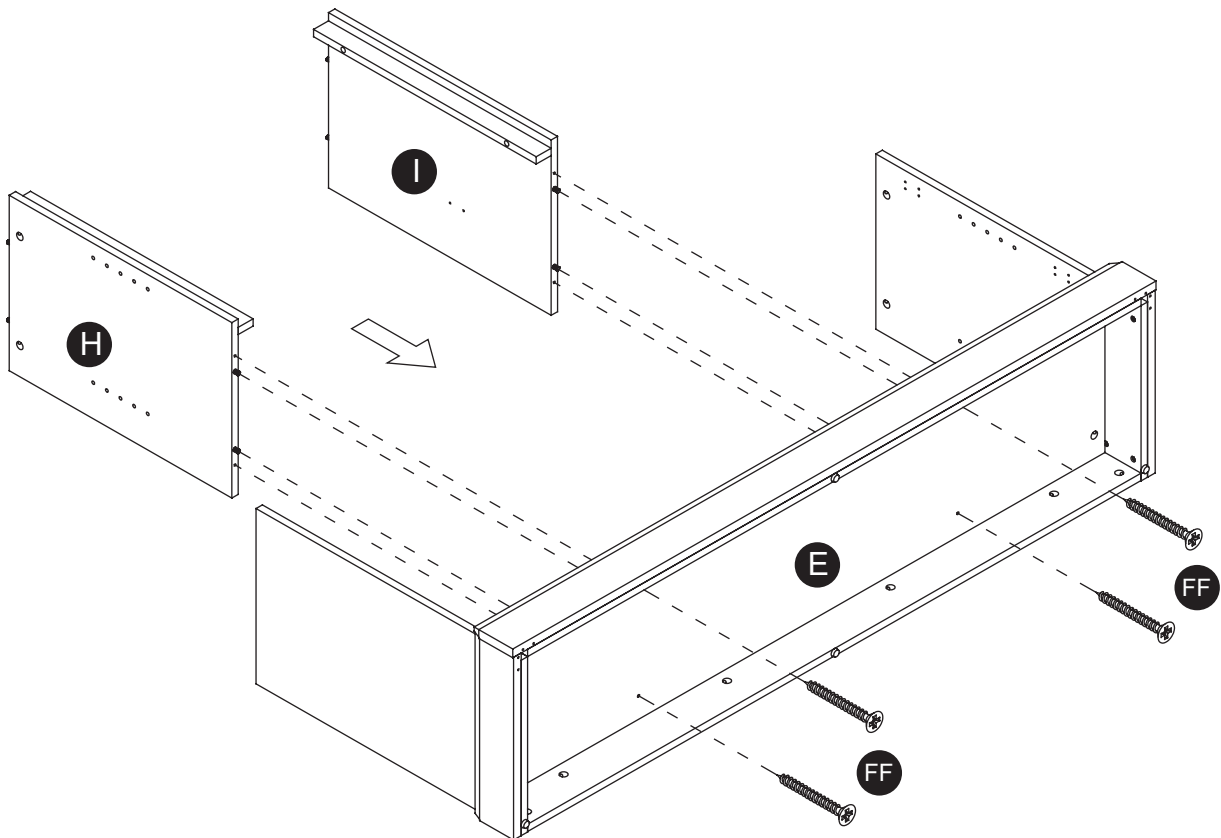
STEP 11

REQUIRES E, H, I, FF

Attach the LOWER PARTITION PANELS (H and I) to the BOTTOM PANEL (E) with four LONG FLAT-HEAD SCREWS (FF).



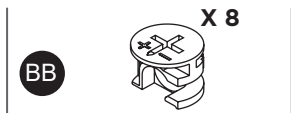
Not actual size



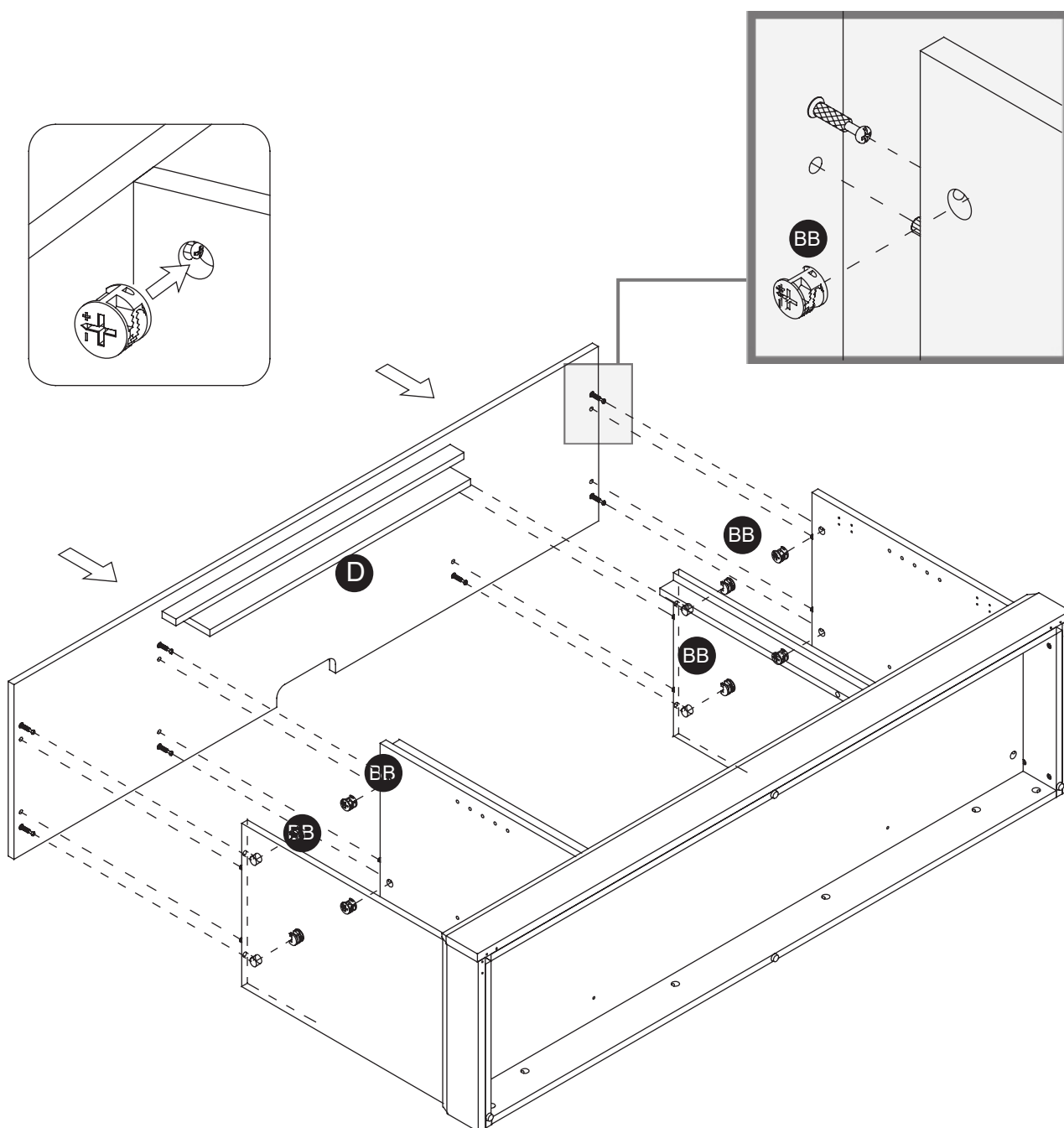
STEP 12

REQUIRES D, BB

Ask for assistance to position the MIDDLE SHELF (D) onto the inserted WOOD DOWELS (AA) on the vertical panels properly, and fasten it in place by engaging eight CAM LOCKS (BB).



Not actual size



STEP-BY-STEP GUIDE

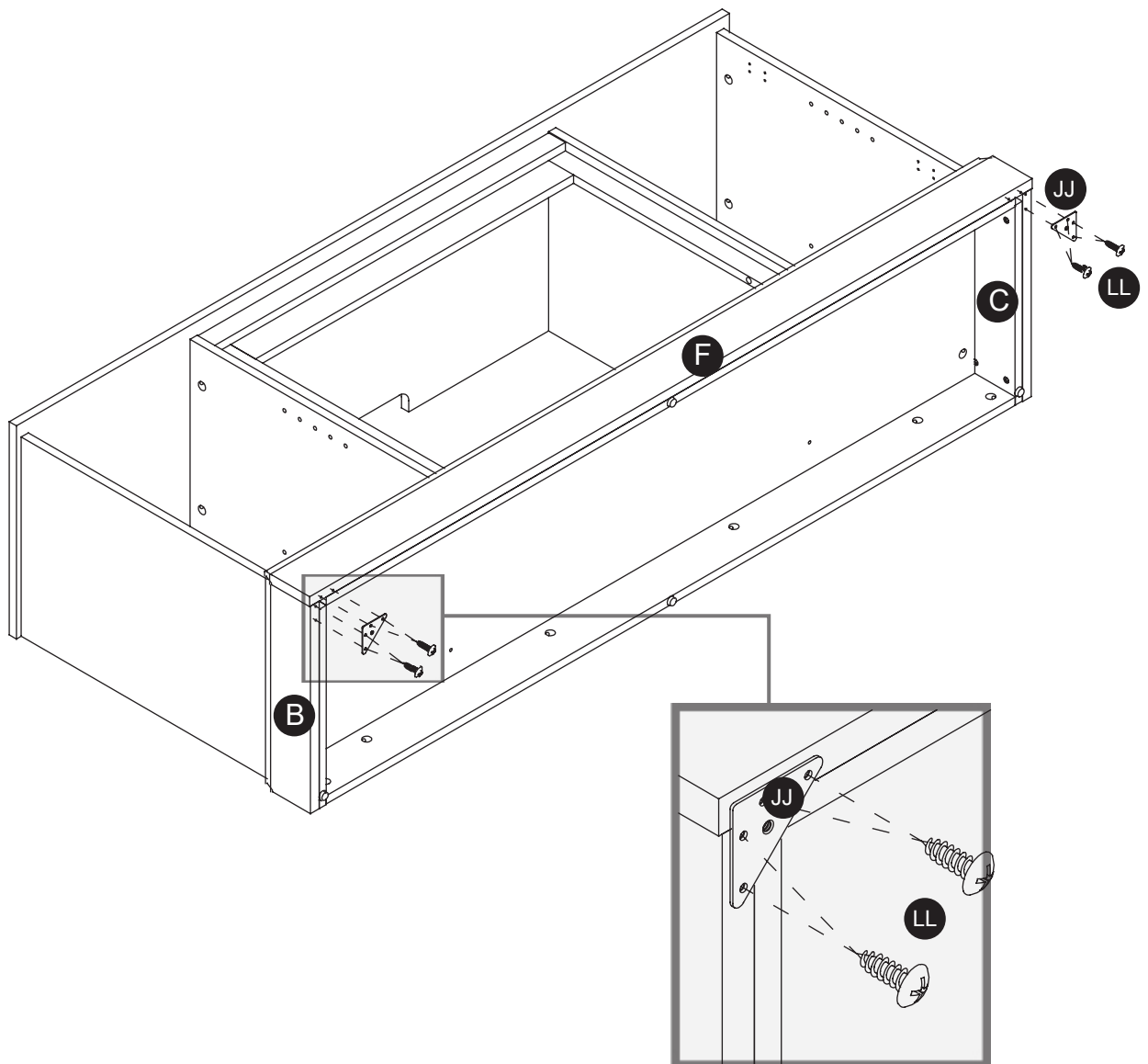
STEP 13

REQUIRES JJ, LL

Using the pilot holes as a guide, fasten two TRIANGLE METAL PLATES (JJ) at the bottom joints between the BOTTOM FRONT STRETCHER (F) and LOWER SIDE PANELS (B and C) using four LONG PAN-HEAD SCREWS (LL) per plate.



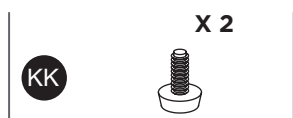
Not actual size



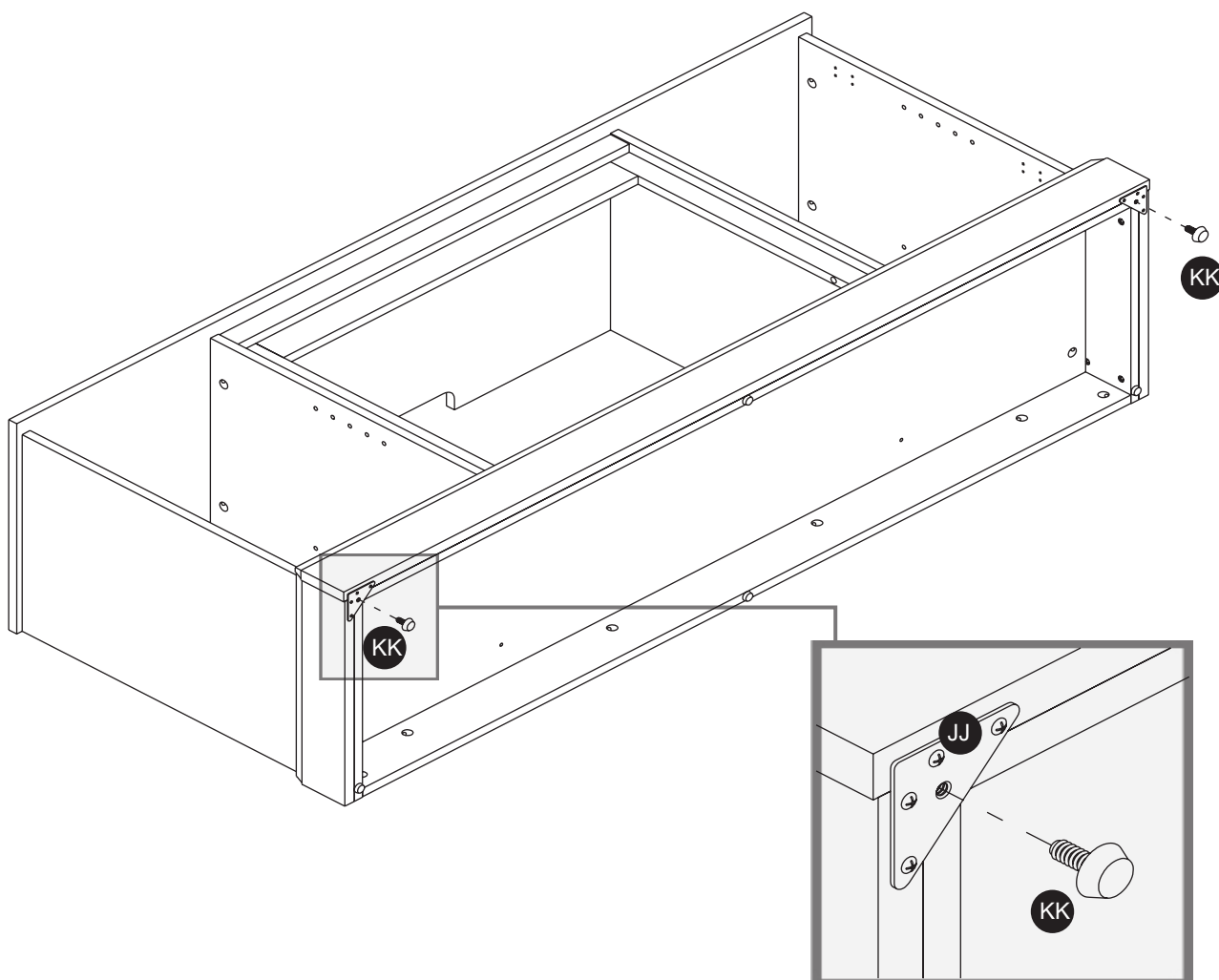
STEP 14

REQUIRES KK

Screw the FLOOR LEVELLERS (KK) into the threaded sockets on the TRIANGLE METAL PLATES (JJ) and set to the correct height.



Not actual size



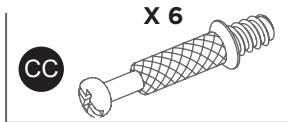
STEP-BY-STEP GUIDE

STEP 15

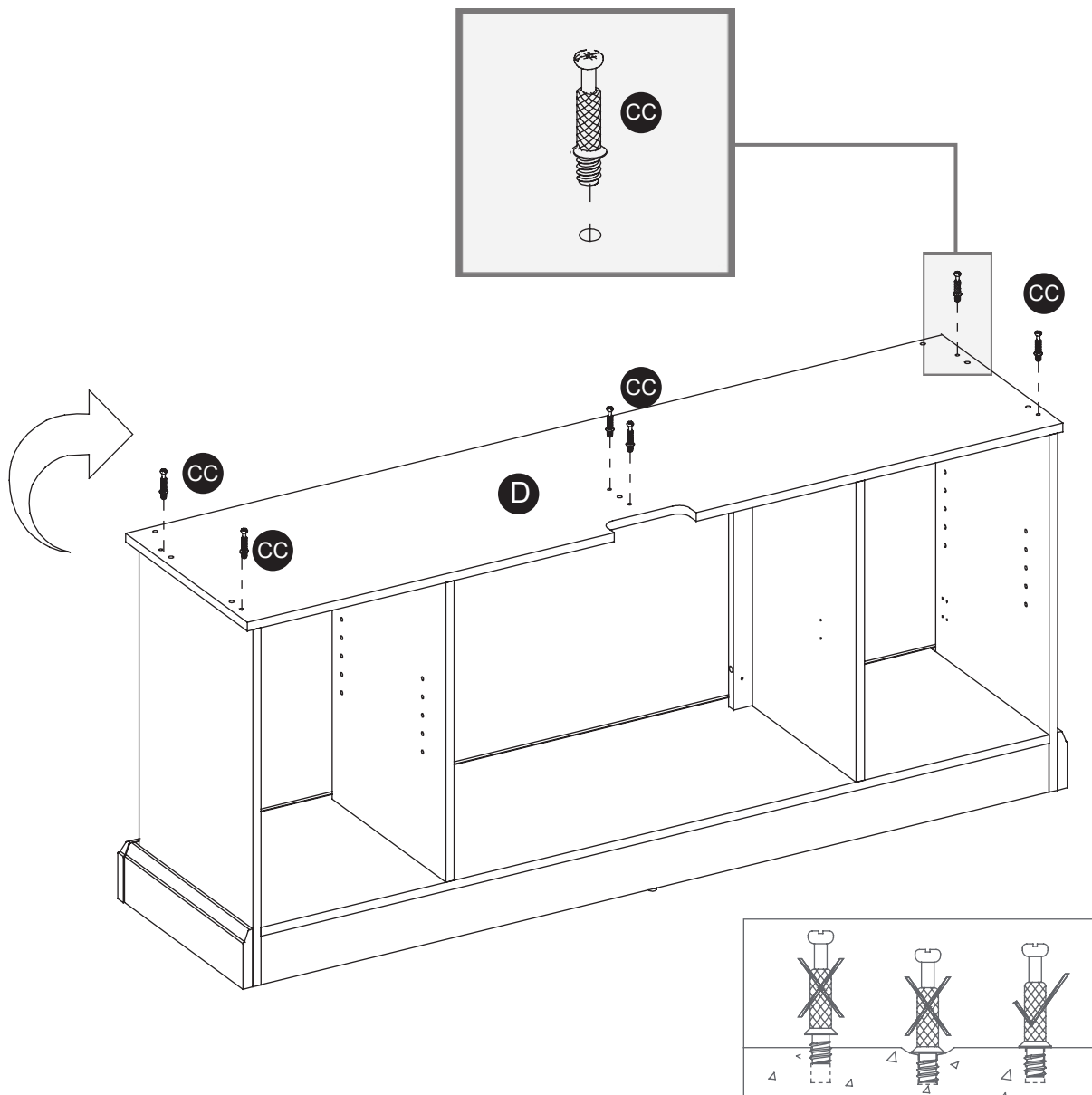
REQUIRES D, CC

Stand the assembled unit upright.

Securely screw the CAM BOLTS (CC) into the designated small holes on the top face of MIDDLE SHELF (D) using a cross-head screwdriver.



Not actual size



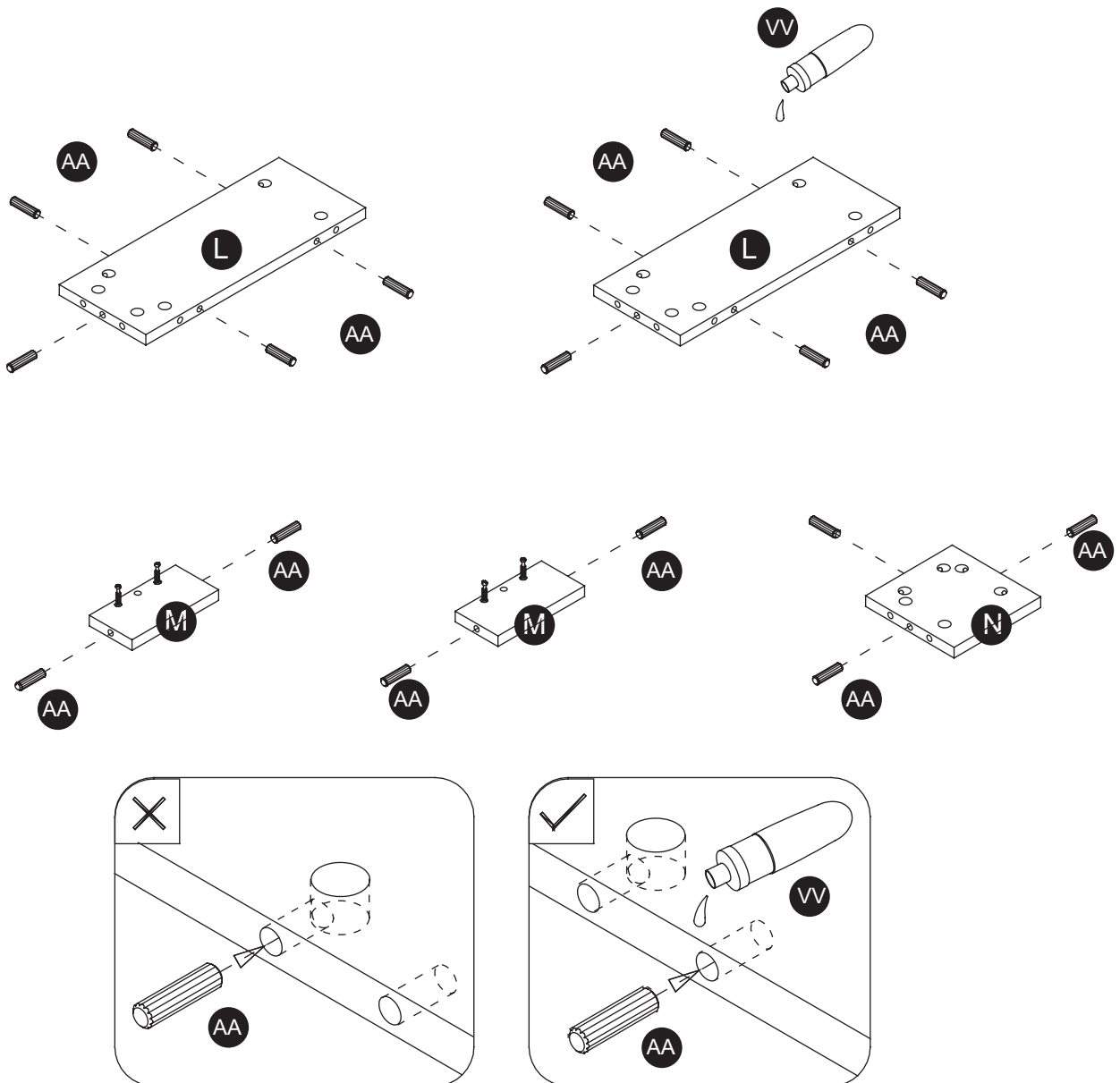
STEP 16

REQUIRES L, M, N, AA, VV

Glue the WOOD DOWELS (AA) into the inner holes on the UPPER SIDE PANEL (L), UPPER SIDE PANEL MOULDINGS (M) and UPPER PARTITION PANEL (N) as shown.



Not actual size



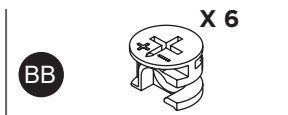
STEP-BY-STEP GUIDE

STEP 17

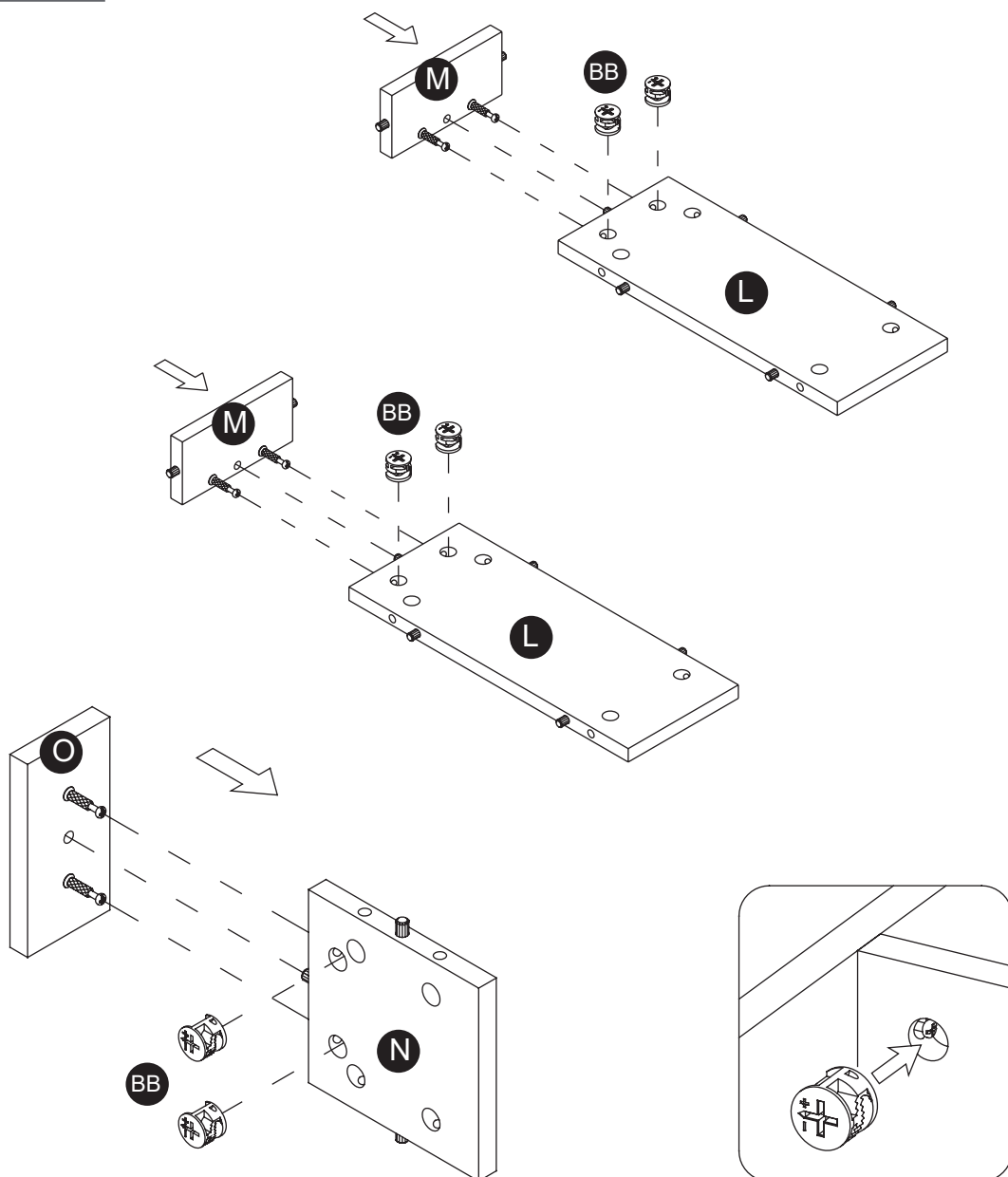
REQUIRES L, M, N, O, BB

Attach the UPPER SIDE PANEL MOULDINGS (M) to UPPER SIDE PANELS (L) by engaging two CAM LOCKS (BB) in each.

Repeat the same step to attach the UPPER PARTITION PANEL MOULDING (O) to the UPPER PARTITION PANEL (N).



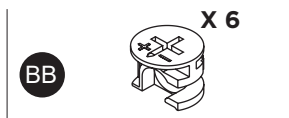
Not actual size



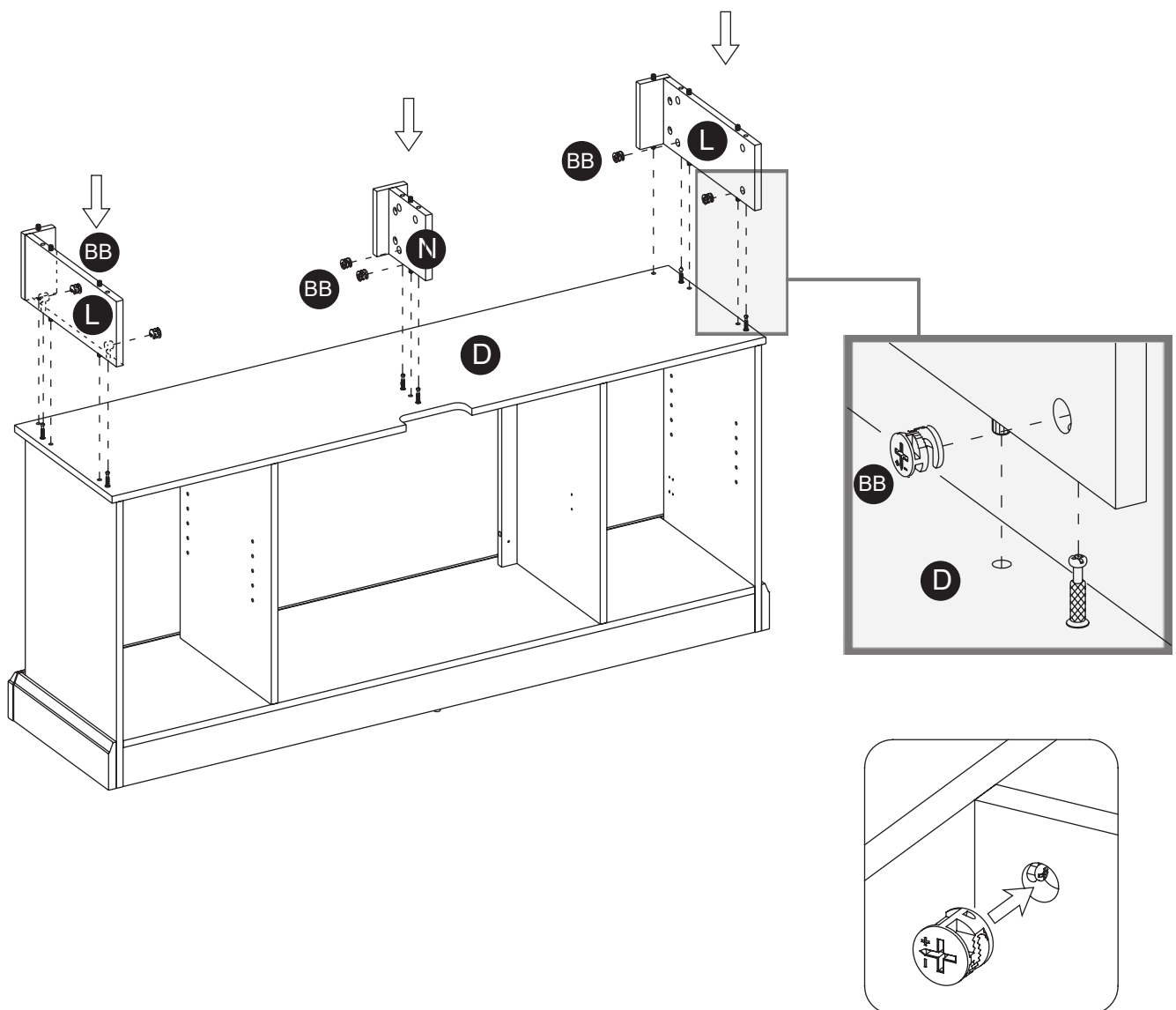
STEP 18

REQUIRES L, N, BB

Attach the UPPER SIDE PANELS (L) and UPPER PARTITION PANEL (N) to the MIDDLE SHELF (D) by engaging six CAM LOCKS (BB).



Not actual size

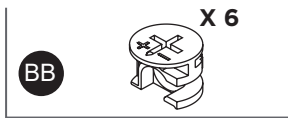


STEP-BY-STEP GUIDE

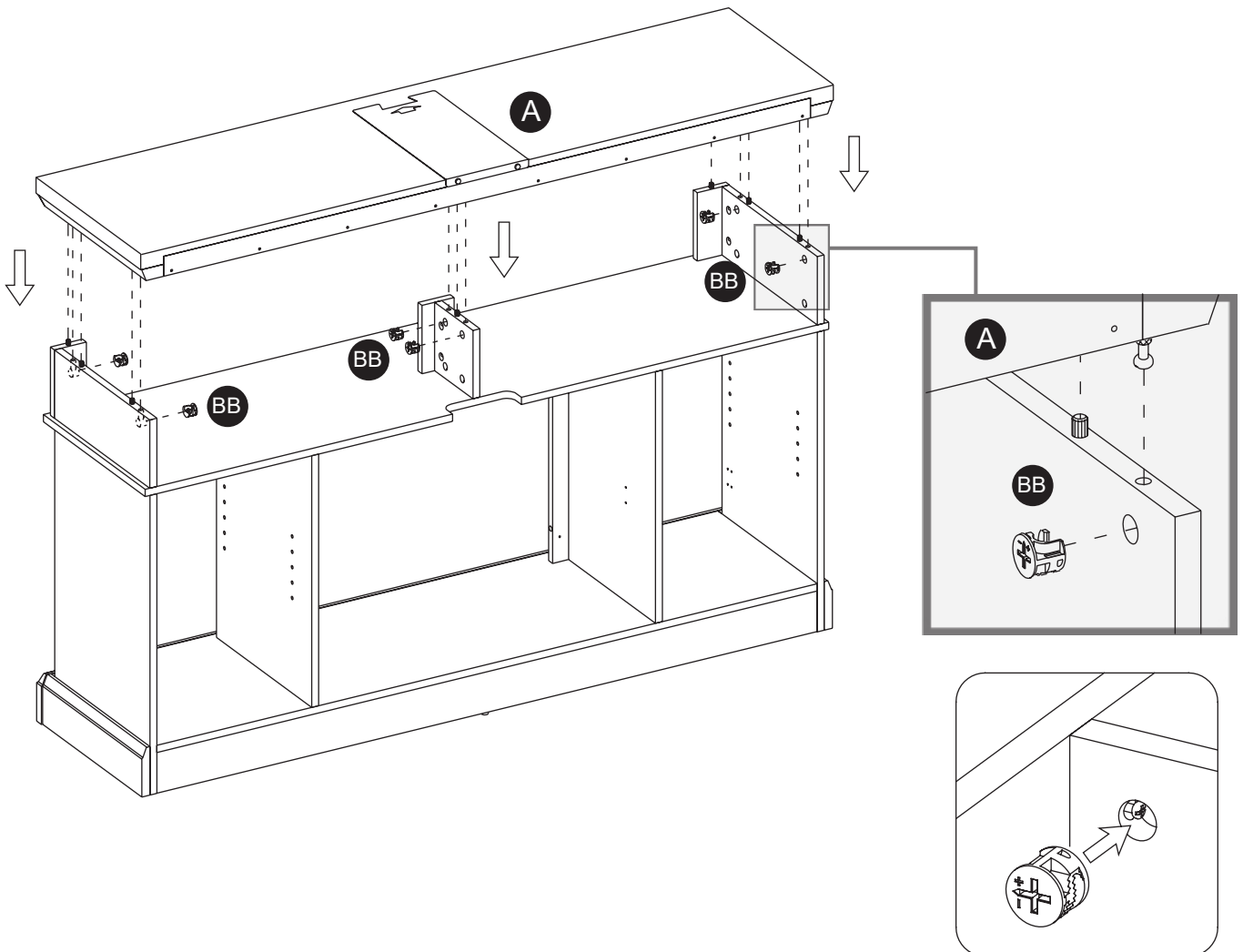
STEP 19

REQUIRES A, BB

Place the TOP PANEL (A) onto the inserted WOOD DOWELS (AA) on the vertical panels properly, and fasten it in place with six CAM LOCKS (BB).



Not actual size



STEP 20

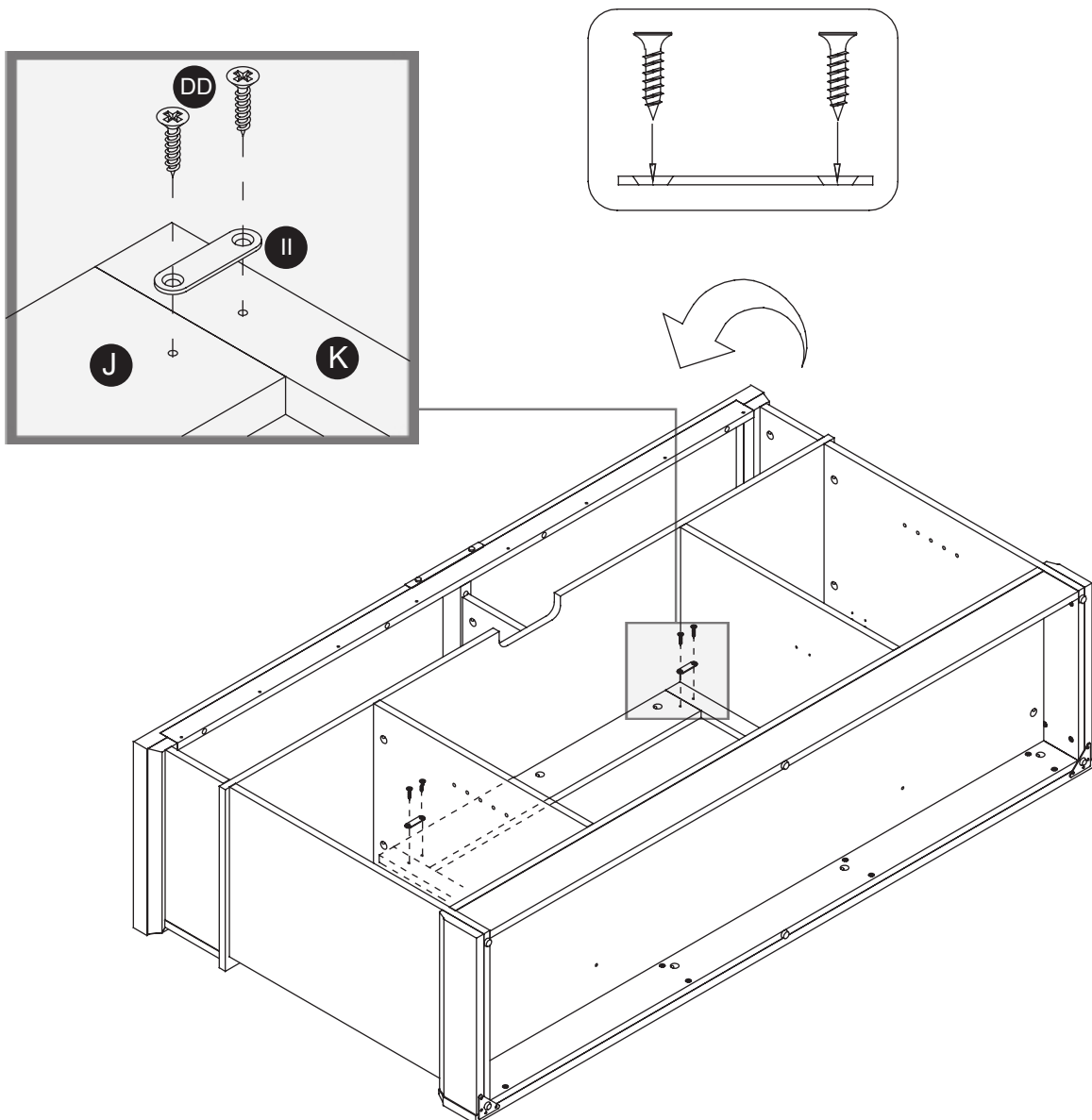
REQUIRES J, K, DD, II

Ask for assistance to lay down the unit on its front edge as shown.

Attach two METAL BRACKETS (II) at the joints where the MIDDLE CROSSBAR (J) meets the MIDDLE STILES (K) with four SHORT FLAT-HEAD SCREWS (DD).



Not actual size



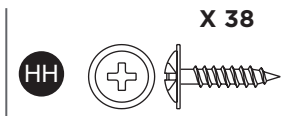
STEP-BY-STEP GUIDE

STEP 21

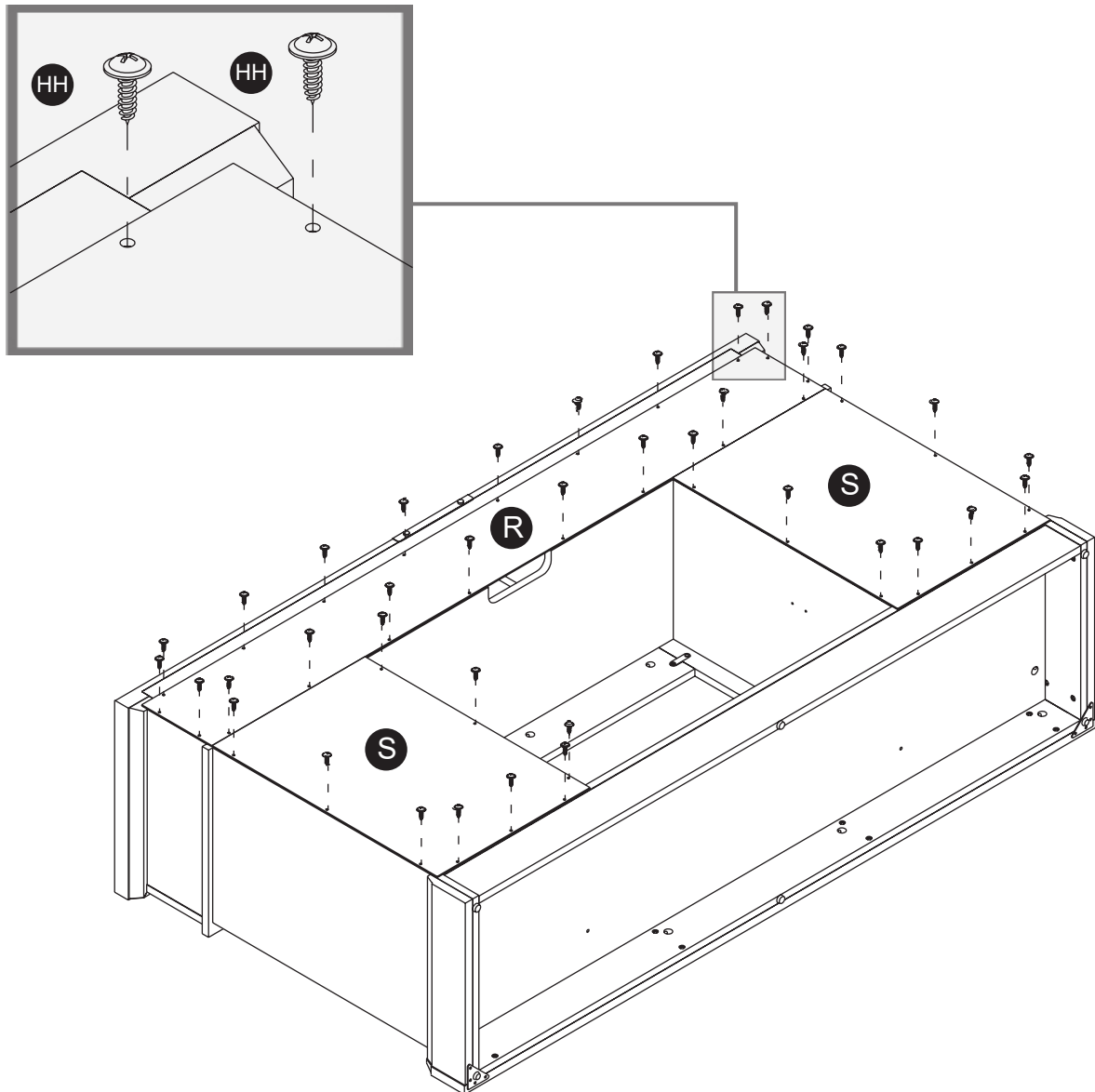
REQUIRES R, S, HH

Pick up the UPPER BACK PANEL (R) and align the pre-drilled holes against the upper long edge with the pilot holes on the back stretcher of the TOP PANEL (A). Attach it in place using the provided WASHER-HEAD SCREWS (HH).

Repeat to attach the LOWER SIDE BACK PANELS (S) to the mantel with the provided WASHER-HEAD SCREWS (HH).



Not actual size



STEP 22

REQUIRES T, NN, OO, QQ, RR

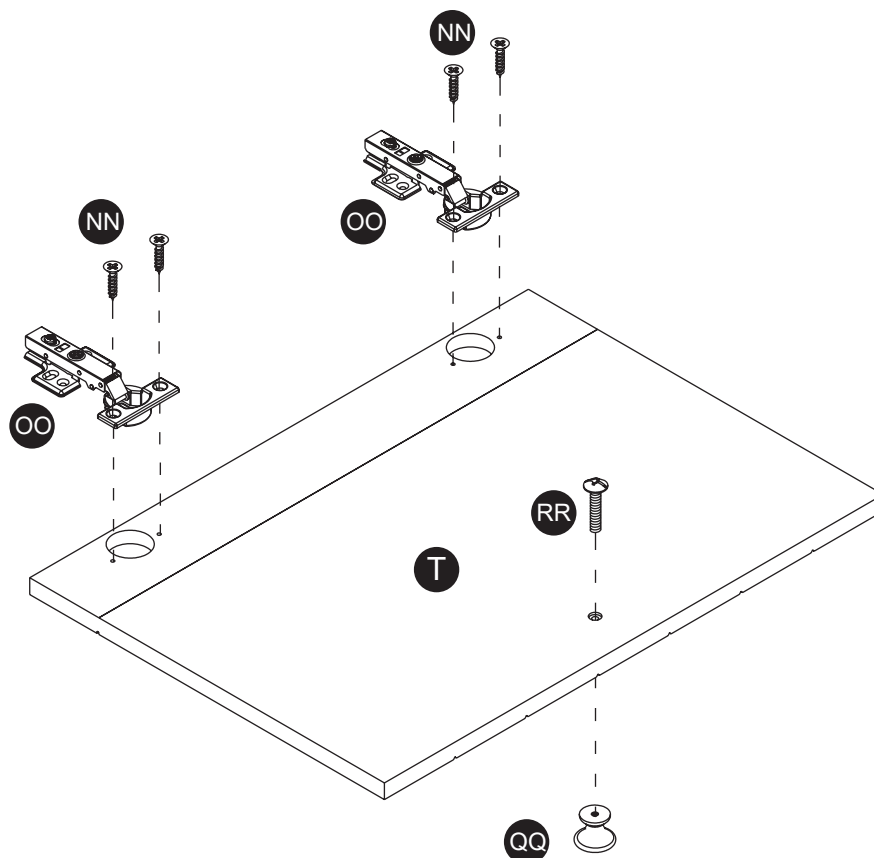
Extend two HINGES (OO) and rest the hinge cups onto the cutouts of one DOOR PANEL (T). Secure the door hinges in place with two ZINC SCREWS (NN) in each.

Attach one KNOB (QQ) to the front side of the door with one KNOB BOLT (RR).

Repeat to attach the other KNOB (QQ) and HINGES (OO) to the other DOOR PANEL (T).



Not actual size



STEP-BY-STEP GUIDE

STEP 23

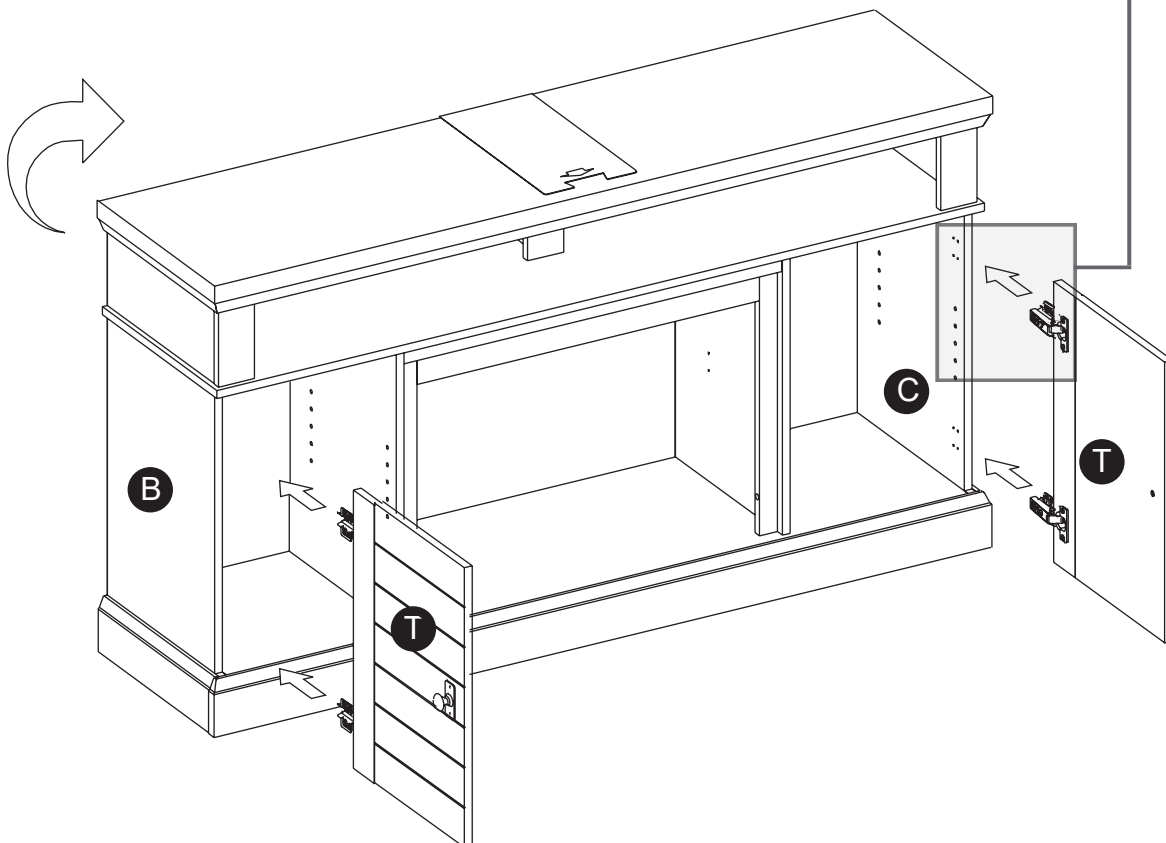
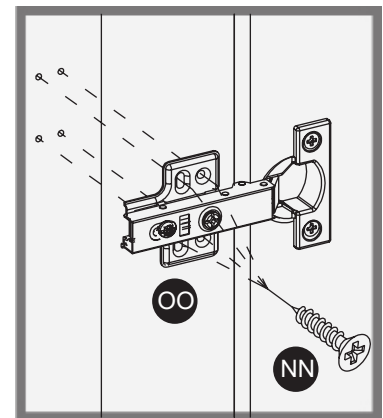
REQUIRES B, C, T, JJ, NN

Stand the unit upright and position it near the final location.

Pick up the DOOR PANELS (T) and fasten the HINGE BASES onto the LOWER SIDE PANELS (B and C) with four ZINC SCREWS (NN) in each.



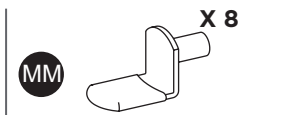
Not actual size



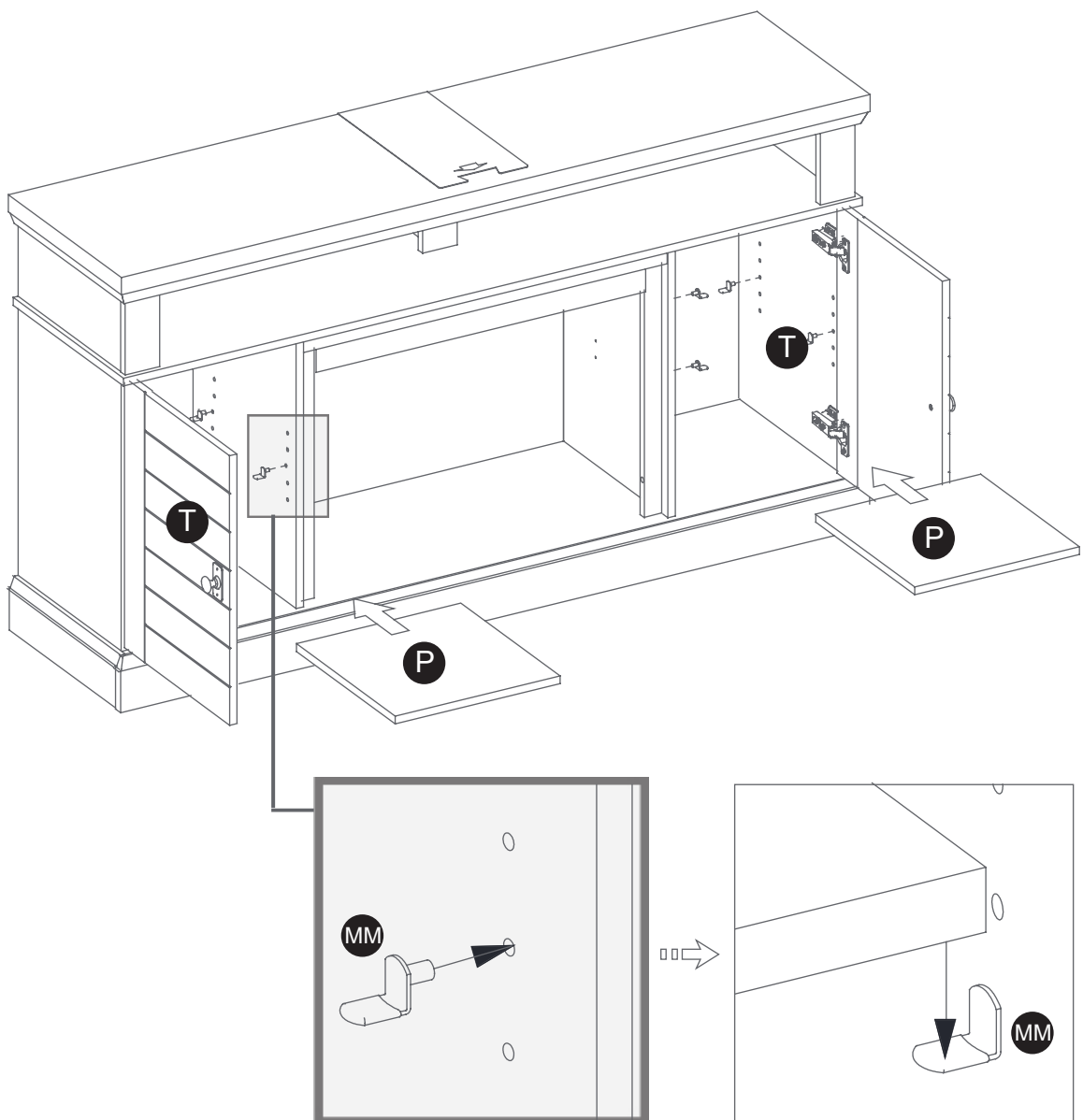
STEP 24

REQUIRES T, P, MM

Open the DOORS (T) and insert four SHELF SUPPORTS (MM) in the holes at the desired height inside each side compartment. Make sure you place the four shelf supports at the same level so the shelf is not tilted. Tilt and rest the ADJUSTABLE SHELVES (P) onto the shelf supports.



Not actual size



STEP-BY-STEP GUIDE

STEP 25

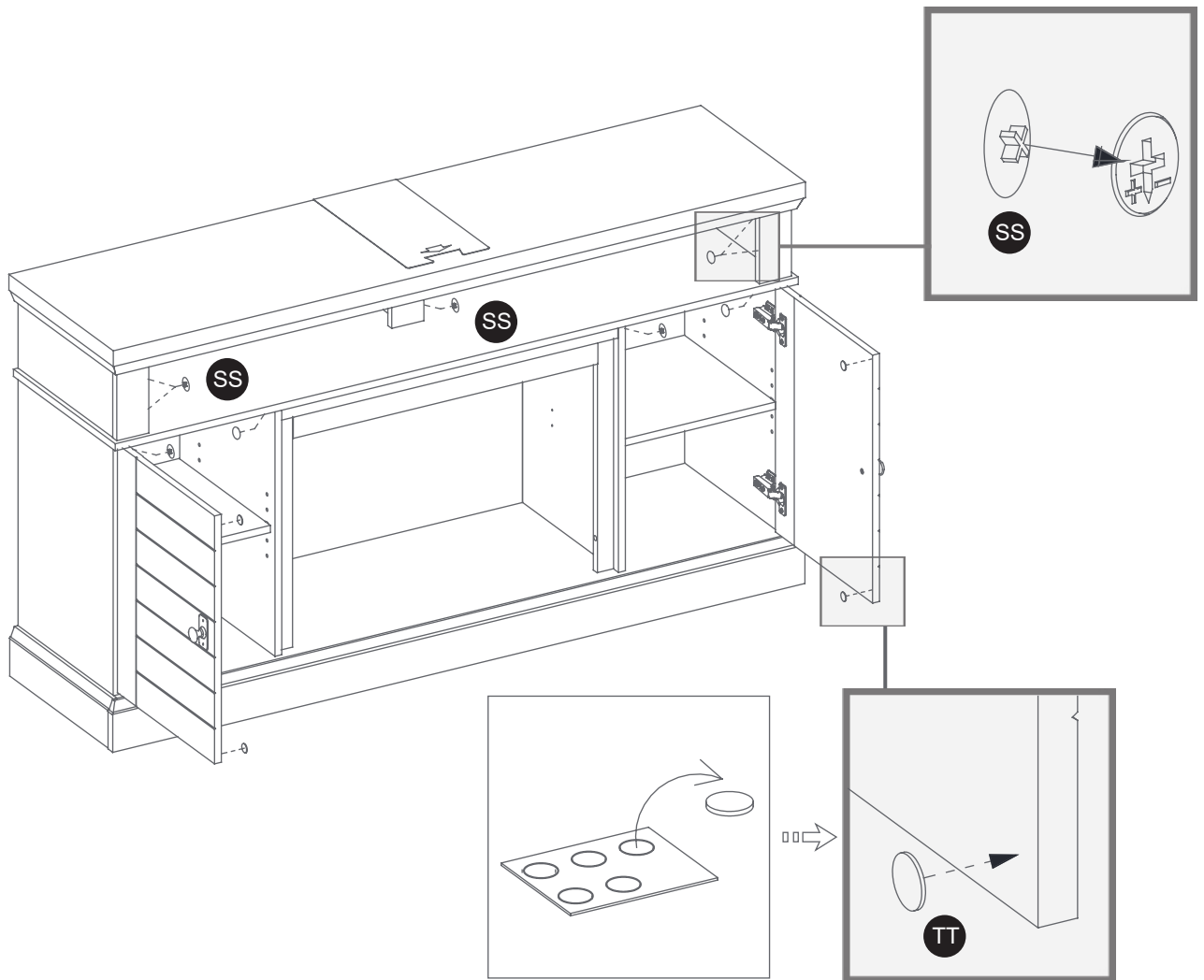
REQUIRES SS, TT

Plug the CAM LOCK COVERS (SS) onto the visible cam locks to conceal the cams.

Stick the RUBBER BUMPERS (TT) on the outer corners of doors as shown.



Not actual size



STEP 26

REQUIRES Q, GG, PP

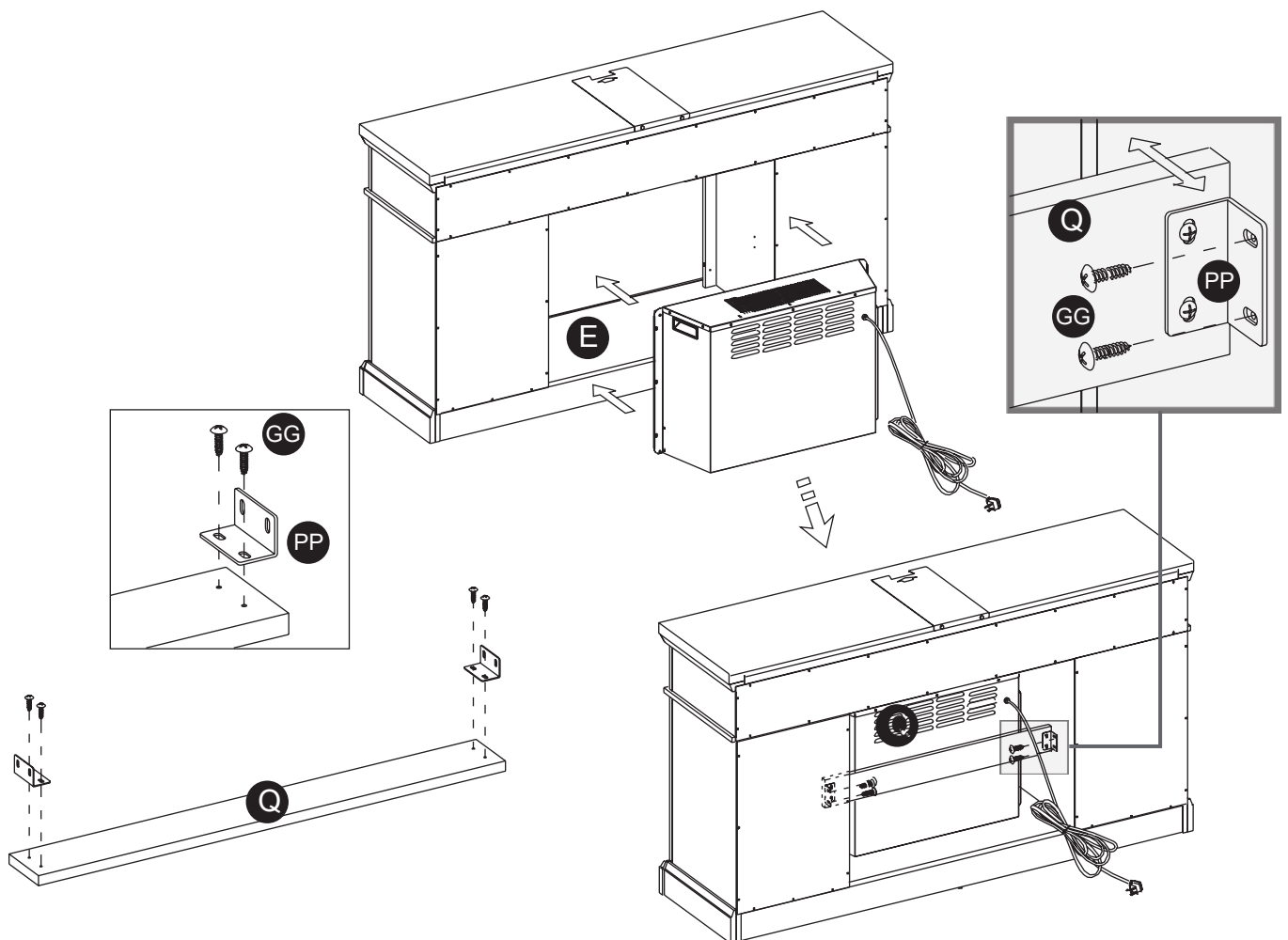
Fasten two L-SHAPED METAL BRACKETS (PP) onto the FIREBOX SUPPORT (Q) with four SHORT PAN-HEAD SCREWS (GG).

Lift the fireplace insert carefully into the back of the assembled mantel and centre it in the opening. DO NOT drag the insert across the BOTTOM PANEL (E) as it may scratch the unit.

Using the pilot holes as a guide, fasten the FIREBOX SUPPORT (Q) between the LOWER PARTITION PANELS (H and I) with four SHORT PAN-HEAD SCREWS (GG).



Not actual size



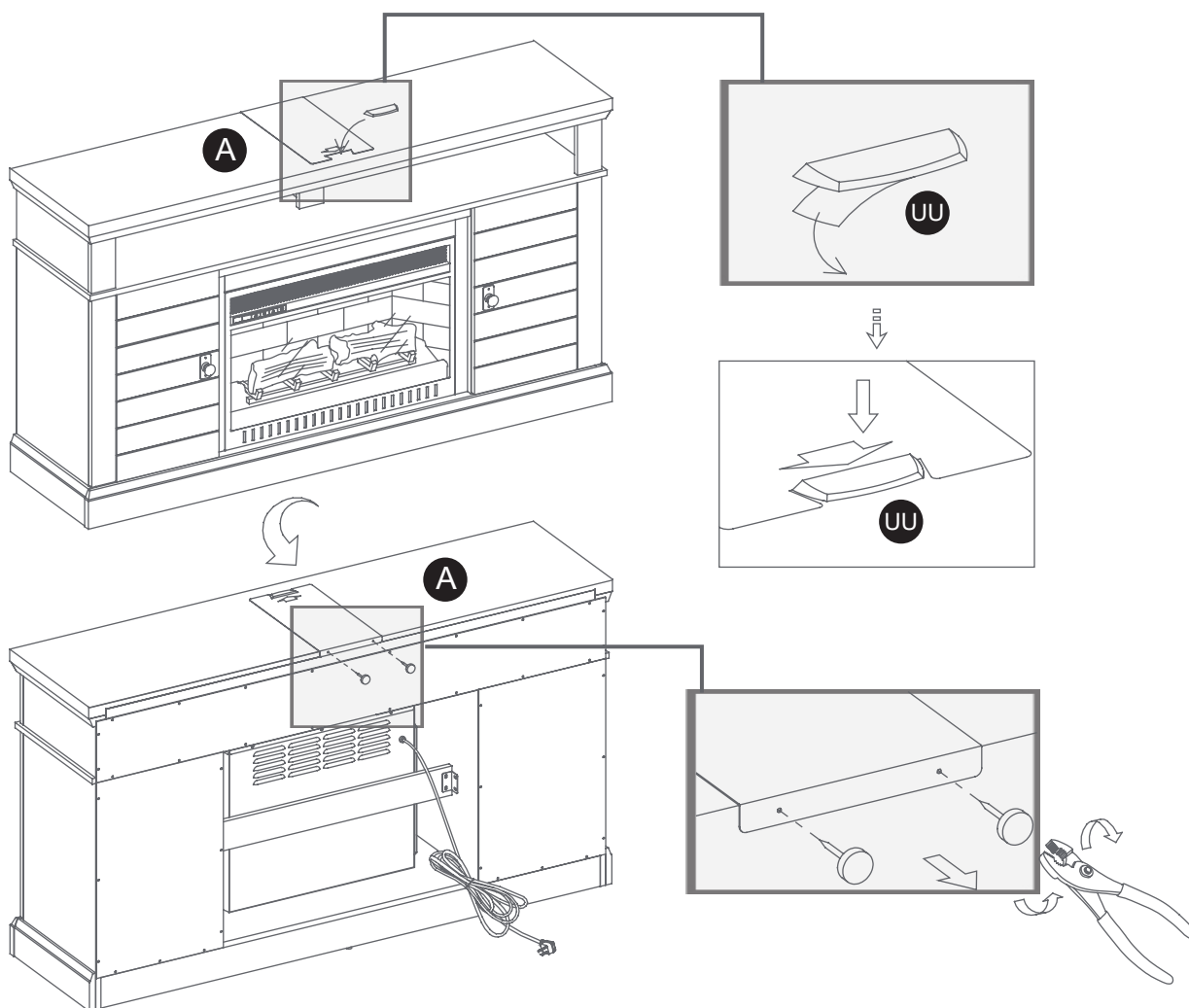
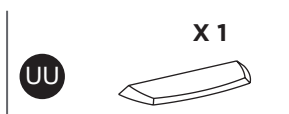
STEP-BY-STEP GUIDE

STEP 27

REQUIRES A, UU

Remove the paper backing on the ACRYLIC STOPPER (UU), then properly align the acrylic stopper into the cutout on the acrylic stopper template on the front of the TOP PANEL (A). Press down on the acrylic stopper to help adhesion.

At the back of TOP PANEL (A), grip the heads of plastic tacks with pliers, and with a twisting motion, pull tacks loose to remove the acrylic stopper template.



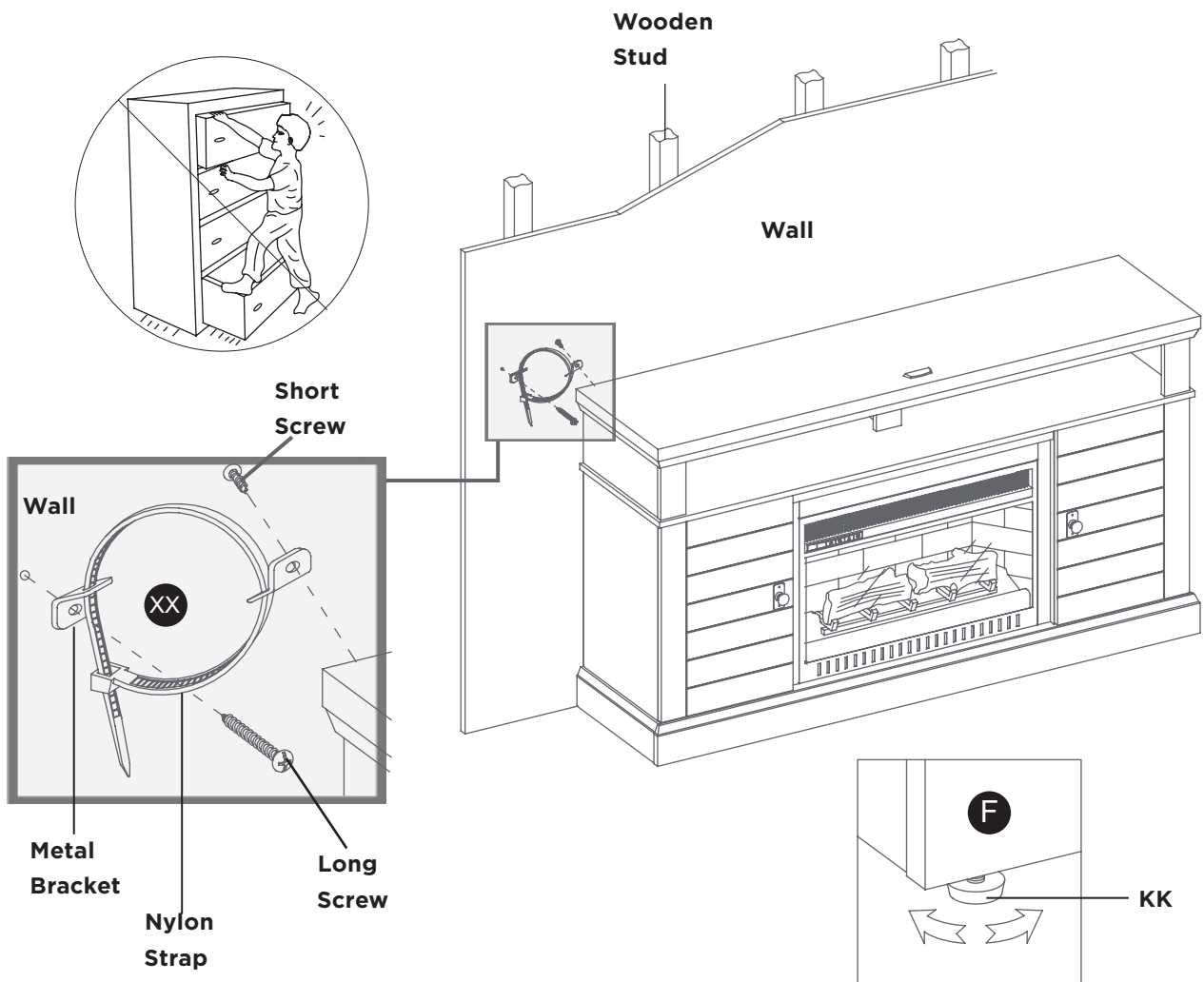
STEP 28

REQUIRES XX

With assistance, position the assembled fireplace at the desired location against a wall. If necessary, adjust the installed FLOOR LEVELLERS (KK) by hand to correct tilting and level the doors, until the unit is level.

Follow the instructions printed on the plastic bag containing the tipping restraint hardware to attach the TIPPING RESTRAINT HARDWARE (XX) to the unit and the wall.

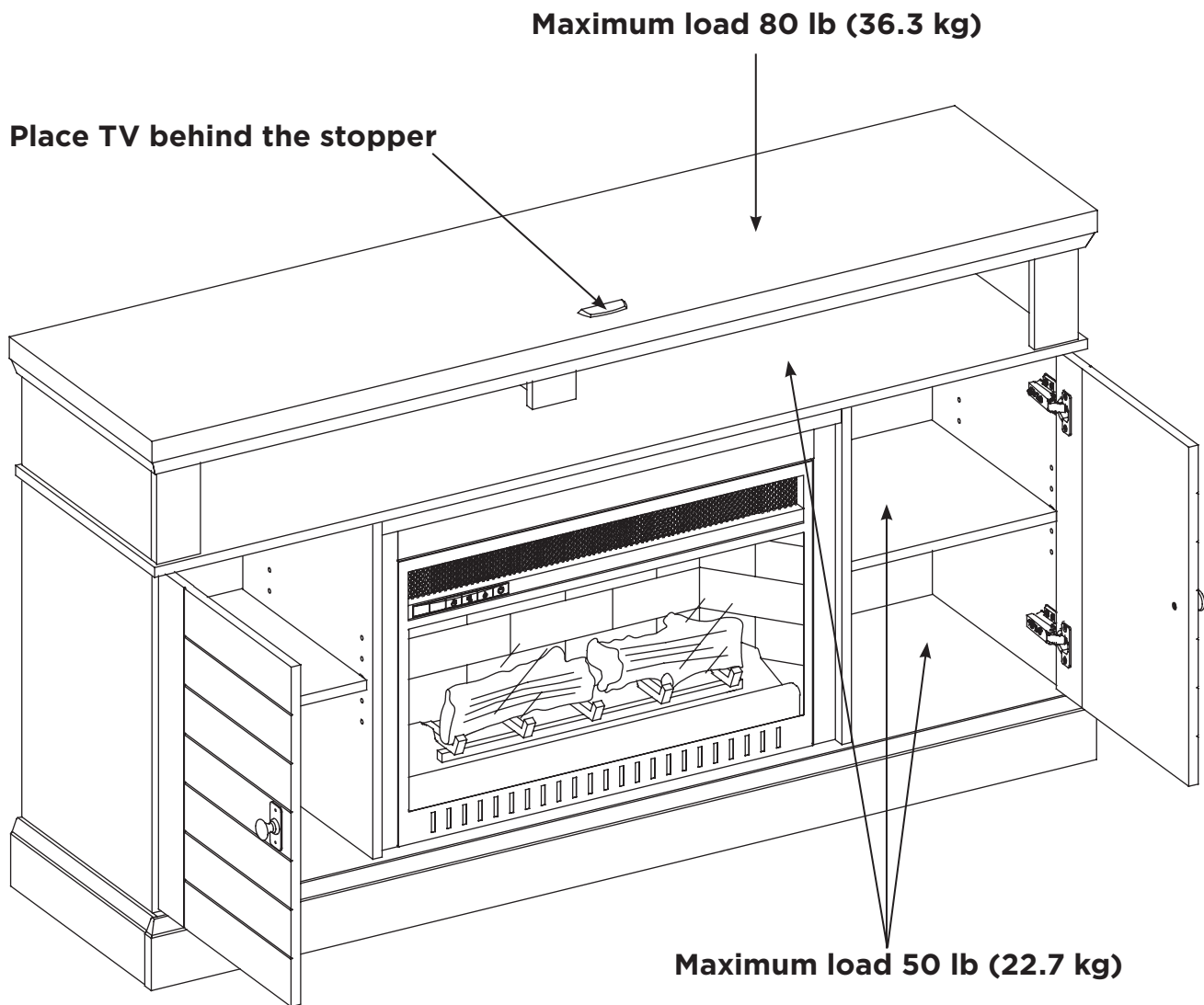
Plug the fireplace into a dedicated, properly-grounded outlet.



STEP-BY-STEP GUIDE

STEP 29

Put the unit in place.



WARNING!

For use with televisions weighing 80 lb (36.3 kg) or less. Use with heavier televisions may cause instability and/or tip over resulting in death or serious injury.

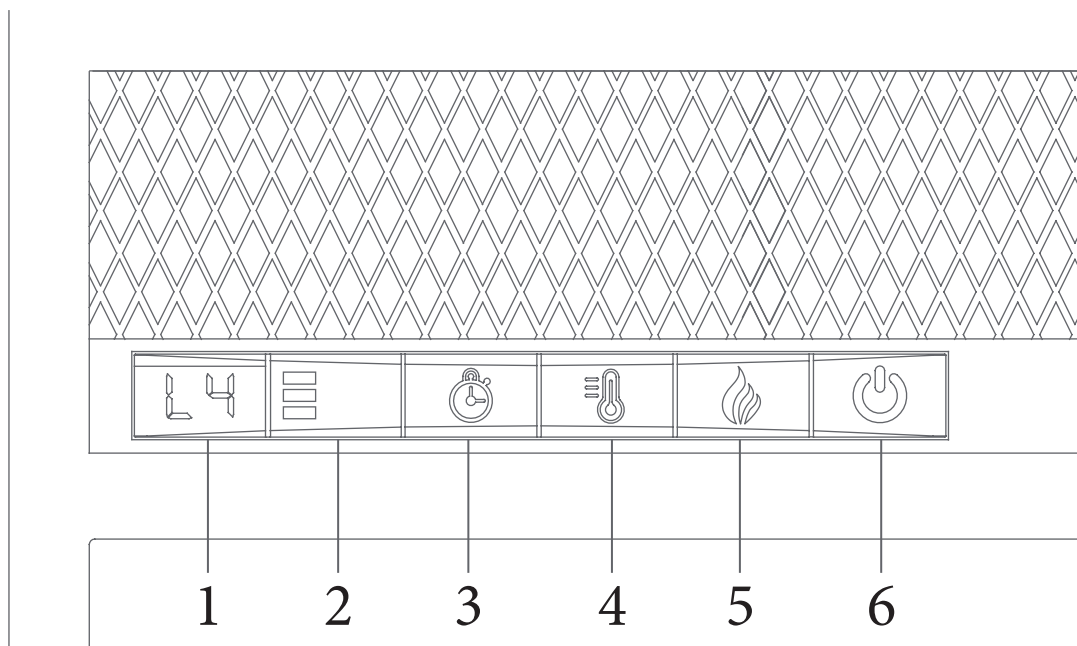
OPERATING INSTRUCTIONS

IDENTIFYING THE CONTROL PANEL

The control panel is located on the top left corner of the fireplace/heater unit.

The control panel contains the display unit (1), function indicator (2), timer function (3), heater control (4), flame control (5), and main power (6).

The display unit (1) displays information about the flame level, timer, and current temperature.

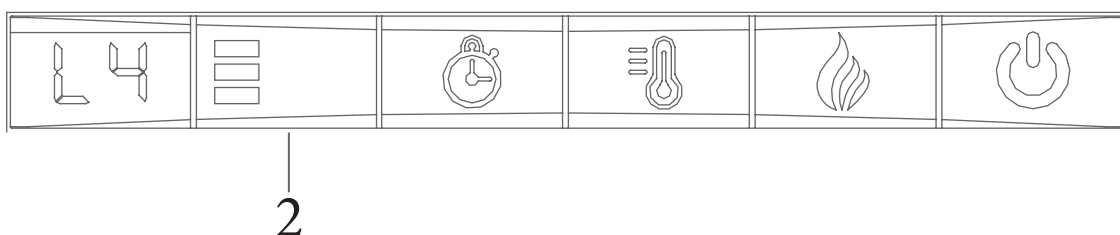


UNDERSTANDING THE FUNCTION INDICATOR

The function indicator (2) has three square LEDs: red, green and blue.

- The red LED indicates that the Fahrenheit temperature heating function is running.
- The green LED indicates that the Celsius temperature heating function is running.
- The blue LED indicates that the timer function is engaged.

To the right of the three LEDs is the infrared receiver module which communicates with the remote control to control the heater.



OPERATING INSTRUCTIONS

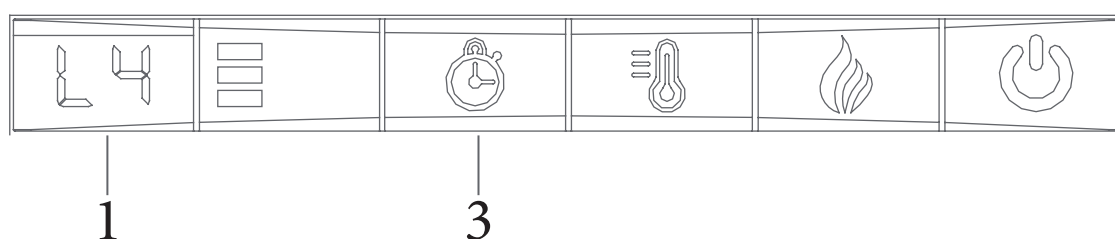
USING THE TIMER FUNCTION

The timer button (3) allows you to set the amount of time you want the fireplace/heater to run.

The timer button (3) operates both the flames and the heater function. If the heater is operating when the timer is set, then the heater is on the timer. If the flames are operating, then the timer will control the flames. If both the heater and flames are operating when the timer is set, then the timer controls both the flames and the heater.

Pressing the button in sequence will set the timer for a set interval. This interval period is shown in the display (1), and the blue LED light turns on to show that the timer function is engaged. The set intervals are displayed in this table. The timer starts after you select your preferred interval and release the button; note that the display and blue light will turn off after a few seconds. There is no clock function for turning the heater or flames on or off at a specific time.

Button Press	Timer Interval	Display
1st press	30 Minutes	30
2nd press	1 hour	1h
3rd press	2 hour	2h
4th press	3 hour	3h
5th press	4 hour	4h
6th press	5 hour	5h
7th press	6 hour	6h
8th press	OFF	None



USING THE HEATER CONTROL

Pressing the heater button (4) will turn on or off the heat and set the temperature in the thermostat. If you turn off the heater using the main power button (6), the unit will hold your preferred temperature setting in the memory. When the power is turned back on, the heater will turn on at the same setting. There is no speed setting for the heater blower.

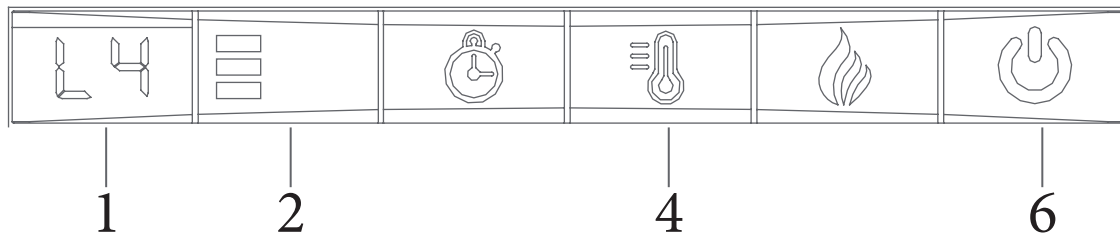
To convert from Fahrenheit to Celsius: With the heater on, press and release the heater button (4) so that the display (1) and LED function indicator (2) lights turn on (if they are not already on). Then gently press and hold the main power button (6) for five seconds to enter temperature converting mode. The LED indicator flashes five times in red color then changes to green. Green indicates Celsius mode, and Red indicates Fahrenheit mode. In this converting mode, the display (1) flashes. Repeat the same process to convert Celsius temperature into Fahrenheit temperature.

To set the thermostat temperature: Press the heater button multiple times to cycle through the temperature settings, starting at 82°F down to 62°F, then Always OFF or Always ON. (27°C - 17°C - OFF - ON). After you release the heater button, your preferred setting will be flashing. Once it stops flashing, and the display goes dark, then the thermostat will be set at your preference (and kept in memory). Note that the “ON” setting keeps the heater always on until the user powers off the unit or the safety sensor turns off the heater to prevent overheating.

To turn OFF the Heater while keeping the Flames ON: Press the heater button until you see “OF” in the Control Panel display (1). This indicates the Heater is “OFF”. Flame settings and other features continue to operate as normal.

Heater Lock (safety feature): To lock the heating function in the OFF position, with the main power button on, press and hold the heater button (4) for ten seconds. The log lights flash several times to indicate that the heater function is locked. In this mode, there is no heating function but only glowing logs and normal flame control operation.

To unlock the heating function, press and hold the heater button (4) for ten seconds. The log lights flash several times and then normal heating function mode is turned on.



USING THE FLAME CONTROL

Press the flame button (5) to set the flames for different levels of flame brightness. These flame levels are shown in the display (1). The flame settings are as follows:

Button Press	Flame Level	Display Value	Fireplace Appearance
1st press	High	L4	Flames Highest, Logs Glow Highest
2nd press	Medium	L3	Flames Medium, Logs Glow Medium
3rd press	Low	L2	Flames Low, Logs Glow Low
4th press	Flames Off	L1	Flames Off, Logs Glow Highest
5th press	All Off	None	Flames Off, Logs Off

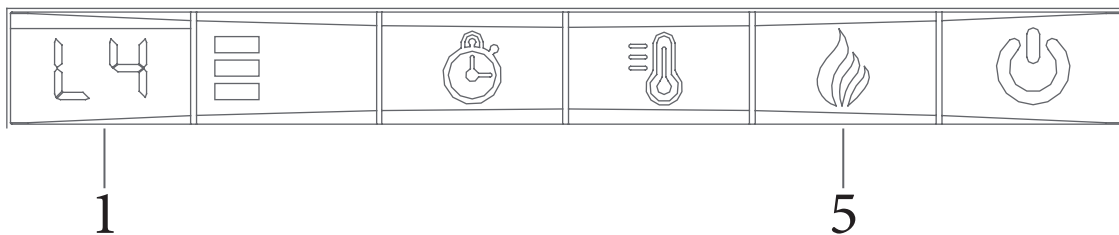
Regardless of the previous flame setting, when powered off by the main power button, the flames will come on in L4 mode (High) when you turn the heater on.

OPERATING INSTRUCTIONS

Log Glow Mode: To lock the flame function in the OFF position, with the flames in L4 mode, press and hold the flame button (5) for five seconds. The log lights flash several times to indicate that the flame function is locked. In this mode, there are no flames but only glowing logs. Pressing the flame button in sequence will set the logs for different levels of log brightness. The log brightness levels are shown in the display (1). The log settings are as follows:

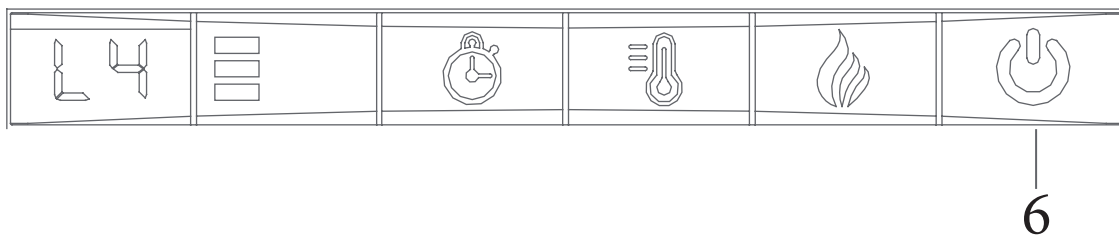
Button Press	Flame Level	Display Value	Fireplace Appearance
1st press	Flames Off	L4	Logs Glow Brightest
2nd press	Flames Off	L3	Logs Glow Medium
3rd press	Flames Off	L2	Logs Glow Low
4th press	Flames Off	L1	Logs Glow Brightest
5th press	All Off	None	Logs Off

To unlock the flame function, press and hold the flame button (5) for five seconds. The log lights flash several times and then both flame lights and log lights turn on.



USING THE MAIN POWER BUTTON

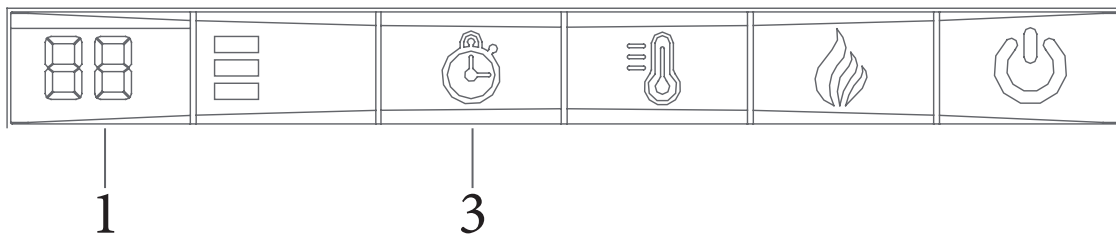
Press the power button (6) to turn the fireplace/heater unit on and off. Press the power button (6) once to turn the unit on. Press again to turn the unit off.



USING THE DEMO MODE

For use in retail store.

To turn Demo Mode on, press and hold the timer button (3) for 10 seconds until the display (1) shows “00”. Demo Mode deactivates the heater and all front control panel buttons except the flame control button. To turn Demo Mode off, press and hold the timer button (3) for 10 seconds until the display (1) shows “L4”. This fireplace is shipped with Demo Mode turned off for normal customer usage.



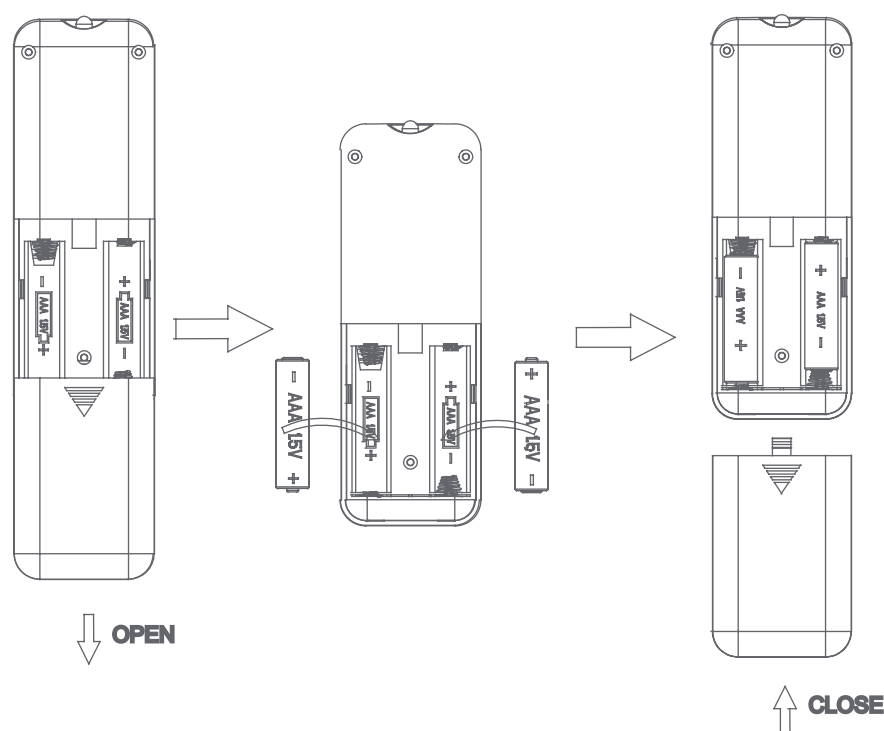
USING THE REMOTE CONTROL

INSTALLING THE BATTERIES

When replacing batteries, use AAA batteries.

1. Press down and slide back cover off the battery compartment.
2. Insert two provided AAA batteries into the battery compartment making sure that the ends of the batteries with the negative (-) symbols are against the springs in the battery compartment.
3. Replace the battery compartment cover, making sure it snaps into position.
4. Turn the remote over and aim it towards the fireplace/heater unit.
5. Press the power button on the upper left, and see if the flames on the fireplace/heater turn on or off.
6. If nothing appears to happen, check to make sure the batteries are installed correctly, and try again.

OPERATING INSTRUCTIONS



BATTERY SAFETY WARNINGS

NOTE: Do not mix old and new batteries.
Do not mix alkaline, standard (carbon-zinc), or rechargeable (NiCad, NiMH, etc.) batteries.

WARNING: Do not ingest batteries.

- Non-rechargeable batteries are not to be recharged.
- Batteries are to be inserted with the correct polarity.
- Exhausted batteries are to be removed from the product.
- Always purchase the correct size and grade of battery most suitable for the intended use.
- Clean the battery contacts and also those of the device prior to battery installation.
- Remove batteries from equipment when it is not to be used for an extended period of time.

REPLACING THE REMOTE CONTROL BATTERIES

When the remote control stops operating, or its range seems reduced, it is time to replace the batteries.

Note: The batteries should be removed if the product is to be left unused for a long time.

CAUTION: Non-rechargeable batteries must not be recharged. Exhausted batteries are to be removed from the product.

1. The battery compartment is located on the back of the remote control.
2. Press the small tab inward as you slide the battery door open and remove the exhausted batteries.
3. Insert two new AAA batteries (not included), ensuring the polarities of the batteries match the inside of the battery compartment.
4. Re-insert the battery door.

DISPOSAL OF USED BATTERIES

A battery may contain hazardous substances that could be dangerous to the environment and human health.

This symbol marked on the battery and/or packaging indicates that the used battery shall not be treated as municipal waste. Instead it should be left at an appropriate collection point for recycling.

By ensuring the used battery is disposed of correctly, you will help prevent potential negative consequences for the environment and human health. The recycling of materials will help to conserve natural resources.

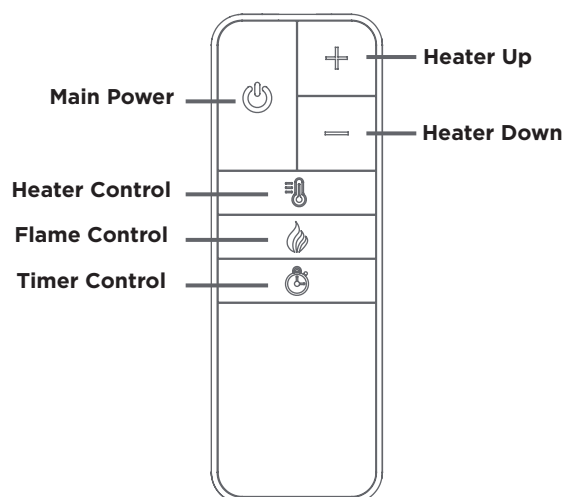
For more information about collection and recycling of used batteries, please contact your local municipality, your waste disposal service or the point of sale where you purchased this item.



USING THE REMOTE CONTROL

The buttons on the remote control work in the same way as the buttons on the front panel of the fireplace/heater. Review the Operating Instructions section for more information on the functionality of these buttons.

NOTE: The remote control cannot lock/unlock the flame and heating function, and it cannot switch between Fahrenheit and Celsius.



CLEANING AND MAINTENANCE

- Make sure the unit is turned OFF, unplugged and the heating elements are cool whenever you are cleaning the heater.
- Clean the metal trim using a water-dampened soft, clean cloth. DO NOT use brass polish or household cleaners as these products will damage the metal trim.
- The motors used on the fan and the flame generator assembly are pre-lubricated for extended bearing life and require no further lubrication. However, periodic cleaning/vacuuming of the fan/heater and air intake/ output vents is recommended.
- Any other servicing should be performed by an authorized service representative.

TROUBLESHOOTING

PROBLEM

Cannot adjust the temperature.

SOLUTION

- To adjust temperature, turn on the Heater, then press the Heater button to enter Temperature Adjustment Mode. The LED display will start to flash, then press the Heater button repeatedly until you reach your desired temperature setting. (See “Using the Heater Control” in the OPERATION section of this Guide for more details).

Cannot turn off the heater using the Heater Button.

- Press the heater button repeatedly until “OF” is shown in the Control Panel display. This indicates the heater is “OFF”. In this mode the flames remain on but the heater is not engaged. (See “Using the Heater Control” in the OPERATION section of this Guide for more details).

Fireplace stopped heating. here are flames, but the heater automatically keeps shutting itself off after a few minutes.

- Set fireplace to a higher temperature or “always on”.
- Turn on the Heater, then press the Heater button to enter Temperature Adjustment Mode. The LED display will start to flash, then press the Heater button repeatedly until you reach your desired temperature setting. (See “Using the Heater Control” in the OPERATION section of this Guide for more details).
- NOTE: your heater thermostat default temperature setting is 82 degrees Fahrenheit. If your room temperature is above 82 degrees, your heater will shut itself off, unless you adjust your heater thermostat to “always on”.
- Note that temperature around fireplace may be a few degrees higher than other areas in the room.

No heat, and no way to power off the unit. Only the Flame button works properly. The control panel display shows “00” when the Power, Timer, or Heater button is pressed.

- Fireplace is in Demo Mode.
- To deactivate Demo Mode, press and hold the Timer button for at least 10 seconds until the display shows “L4”.

TROUBLESHOOTING

PROBLEM

Remote control is not working.

SOLUTION

- Change the remote batteries.
- Operate remote transmitter at a slow measured pace. Press the remote control buttons with an even motion and gentle pressure.
- Repeatedly pressing buttons in rapid succession may cause the transmitter to malfunction.
- Stand closer to your fireplace.
- Remove objects that may block your remote control's ability to communicate with your fireplace.

No heat, and pressing the Heater button causes the logs to flash several times.

- Your heater has been locked (disabled for child safety mode).
- To unlock, turn on the main power, then press and hold the Heater button for at least 10 seconds, until you see the logs starting to flash several times. The heater will now be unlocked and can be turned ON using normal operation of the Heater button.

The unit does not turn on.

- Check that the unit is fully plugged into a standard 120V outlet.
- Press the Power button on the control panel.

Using the fireplace with the heater ON causes a trip in my power circuit.

- Unplug other appliances from the same circuit and same outlet as the fireplace. Do not overload the circuit.
- Connect the fireplace to a properly grounded outlets with thicker cord.
- Replace with a qualified fuse-box with a heavy load.

The display unit on the control panel shows error code "EE".

- Your thermistor sensor is loose or cut off.
- Do not return to store.
- Please email us or call our Toll Free 1-888-670-8864 for a replacement Insert.

The Heater automatically shut off, and pressing the Heater button causes no actions. Other control buttons are working, but the control panel displays "88" and the function indicator is flashing quickly.

- The fireplace shut itself off as a safety protocol to prevent overheating (it is in alarm mode).
- Make sure that no objects are blocking the air vents on the front, top, or back of your fireplace.
- To reset the fireplace, unplug the unit from the wall outlet for 5 minutes, and let it cool down. After 5 minutes plug the unit back into the wall outlet, and operate as normal.

WARRANTY INFORMATION



1-YEAR LIMITED WARRANTY*

This CANVAS product carries a one (1) year warranty against defects in workmanship and materials. Trileaf Distribution agrees to replace the defective product free of charge within the stated warranty period, when returned by the original purchaser with proof of purchase. This product is not guaranteed against wear or breakage due to misuse and/or abuse.

MODEL NO. 064-4017-6

Made in Vietnam

Imported by Trileaf Distribution Trifeuil Toronto, Canada M4S 2B8

CANVAS^{TM/MC}

Exclusively at Canadian Tire

