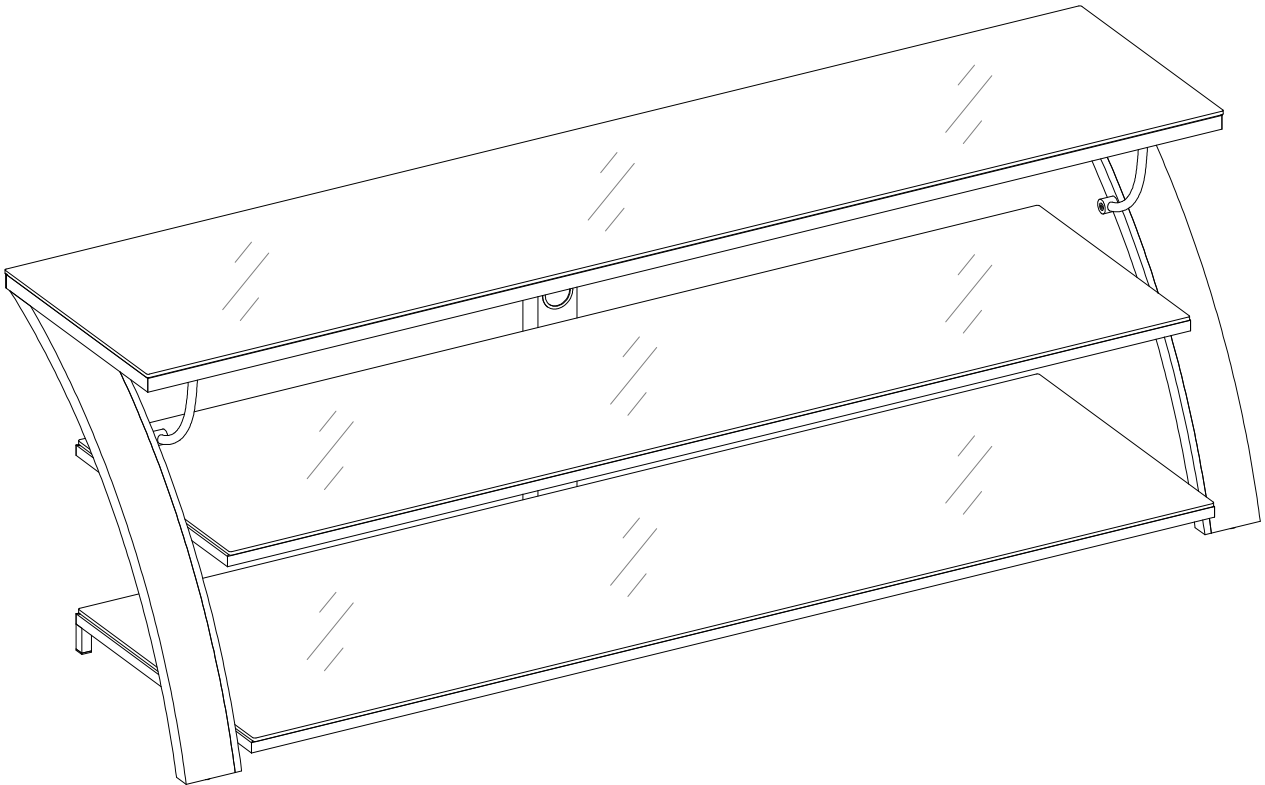




LOT NUMBER: _____
DATE PURCHASED: __/__/__

TV Console

Model # AVCEC65-TC



ADULT ASSEMBLY REQUIRED

If you have any questions regarding assembly or if parts are missing, **DO NOT** return this item to the store where it was purchased. Please call our customer service number and have your instructions and parts list ready to provide the model name, part name or factory number:

1-866-942-5362

Pacific Standard Time: 8:30 a.m. - 4:30 p.m., Monday - Friday

Or visit our web site 24 hours a day, 7 days a week for product assistance at

www.whalenfurniture.com

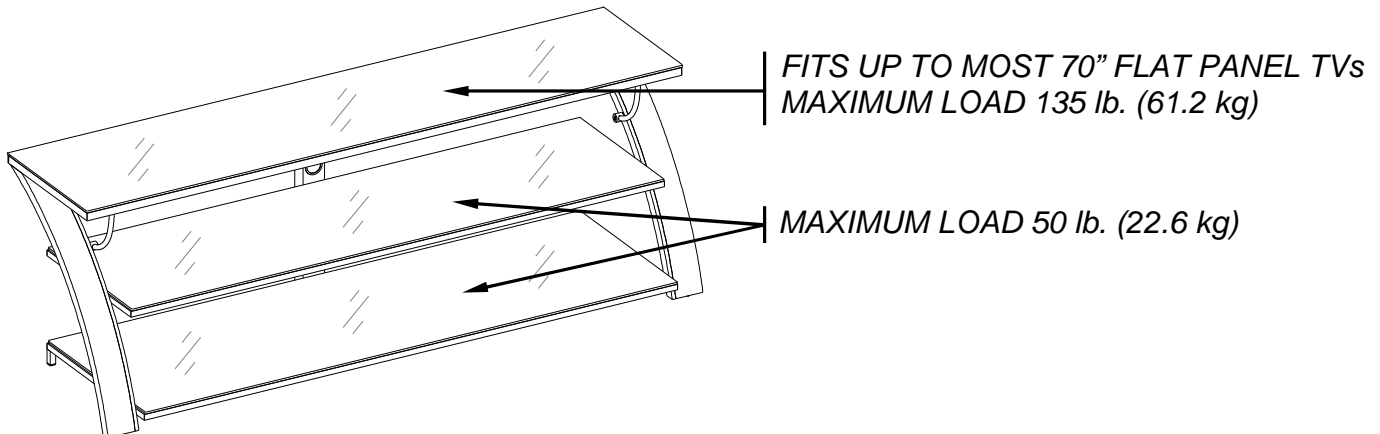
Or e-mail your request to **parts@whalenfurniture.com**

**THIS INSTRUCTION BOOKLET CONTAINS IMPORTANT SAFETY INFORMATION.
PLEASE READ AND KEEP FOR FUTURE REFERENCE.**

Date 2015-12-29 Rev. 2 Factory: FOCIDI

MAXIMUM RECOMMENDED WEIGHT LOADS

MANUFACTURER: Whalen Furniture Manufacturing
 CATALOG: TV Console (AVCEC65-TC)
 DATE OF MANUFACTURE: December 2015
 MADE IN CHINA



⚠ WARNING

THIS UNIT IS NOT INTENDED FOR USE WITH CRT TVS. USE ONLY WITH FLAT PANEL TVS AND AUDIO/VIDEO EQUIPMENT MEETING RECOMMENDED SIZE AND WEIGHT LIMITS. NEVER USE WITH LARGER/HEAVIER THAN RECOMMENDED FLAT PANEL TVS OR EQUIPMENT. TO AVOID INSTABILITY, PLACE FLAT PANEL TV IN THE CENTRE OF THE UNIT; THE BASE OF THE TELEVISION MUST BE ABLE TO REST ON THE SUPPORTING SURFACE OF THE UNIT WITHOUT OVER-HANGING THE EDGES. IMPROPERLY POSITIONED FLAT PANEL TVS, OR FLAT PANEL TVS INCLUDING OTHER EQUIPMENT THAT EXCEED RECOMMENDED SIZE AND WEIGHT LIMITS COULD FALL OFF OR BREAK THE UNIT, CAUSING POSSIBLE SERIOUS INJURY.

GENERAL INFORMATION, TIPS and TRICKS

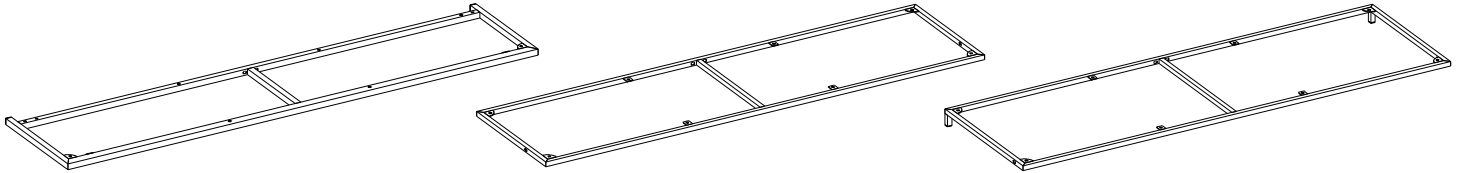
1. Please read the Assembly Instructions prior to assembling this product.
2. Remove all hardware from the box and sort by size.
3. Check to see that all hardware and parts are present BEFORE assembling.
4. Ask a friend to assist you with the assembly of this furniture.
5. To avoid damage, assemble the product on a sturdy, level and protective surface.
6. Please wait until all steps are completed before fully tightening bolts.
7. Make sure all bolts are tightly fastened before the unit is used.

This product is sold with one set of Tipping Restraint Hardware Kit. You must install the Tipping Restraint Hardware between the wall and the TV stand to prevent any accidents or damages. When properly installed, this restraint can provide protection against the unexpected tipping of the unit due to small tremors, bumps or climbing. The restraint is only a deterrent and is not a substitute for proper adult supervision. Use of tip-over restraints may only reduce, but not eliminate, the risk of tip-over.

Please call for replacement parts or assistance: **1-866-942-5362**

Parts and Hardware List

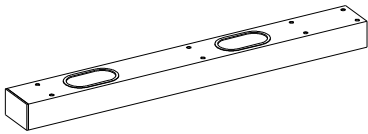
Please read completely through the instructions and verify that all listed parts and hardware are present before beginning assembly.



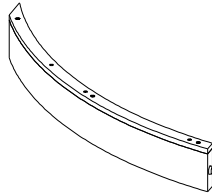
A- Top Shelf Frame (1)

B- Middle Shelf Frame (1)

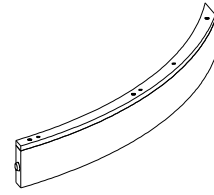
C- Bottom Shelf Frame (1)



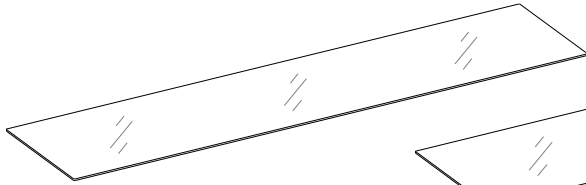
D- Spine (1)



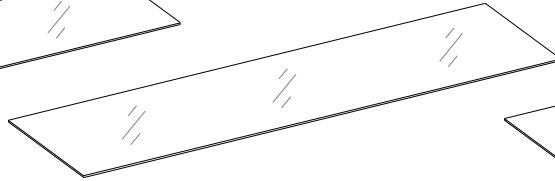
E- Left Leg (1)



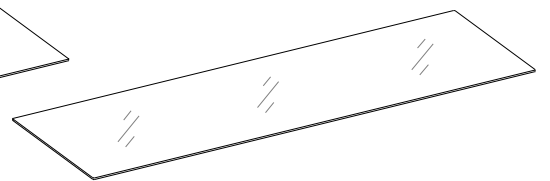
F- Right Leg (1)



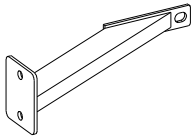
G- Top Glass (1)



H- Middle Glass Shelf (1)



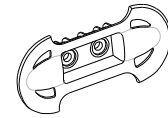
I- Bottom Glass Shelf (1)



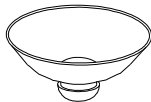
J- Top Shelf Middle Support (1)



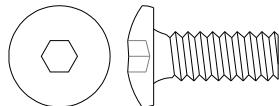
K- Top Shelf Side Support (2)



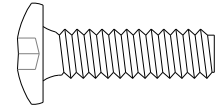
L- Cable Wheel (2)



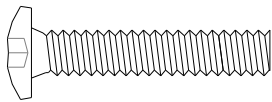
(1) Suction Cup (24+1 extra)



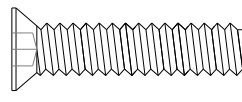
(2) 5/8" Bolt (9+1 extra)



(3) 7/8" Bolt (4+1 extra)



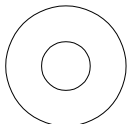
(4) 1-1/4" Bolt (6+1 extra)



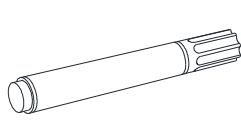
(5) 1-1/8" Bolt (4+1 extra)



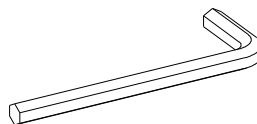
(6) Lock Washer (7+1 extra)



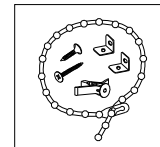
(7) Flat Washer (7+1 extra)



Touch-up Pen (1)



M4 Allen Wrench (2)

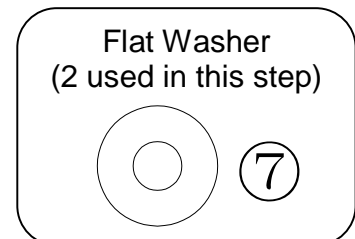
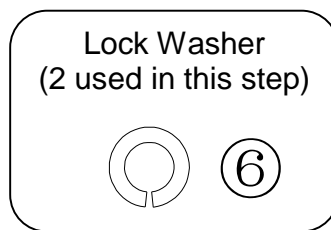
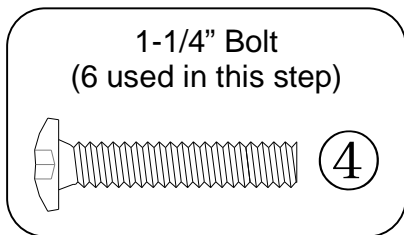
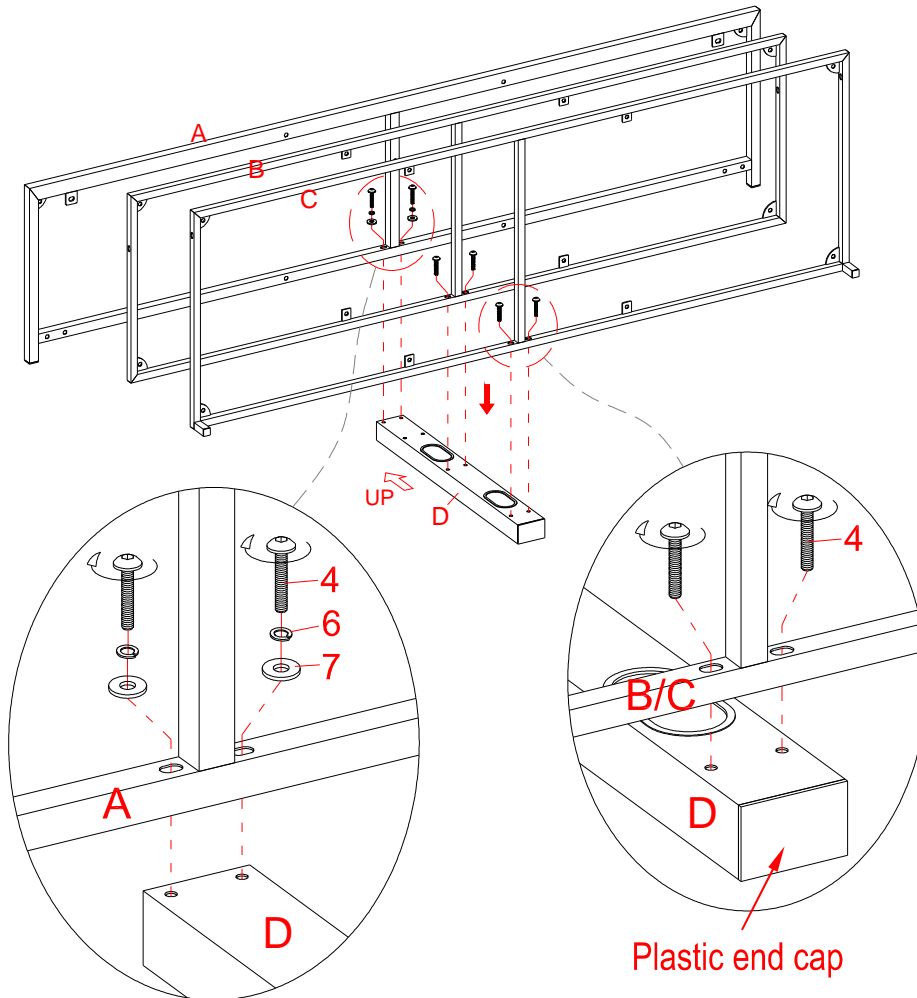


Tipping Restraint Hardware Kit (1)
(Inside Plastic Bag)

Tools required: Allen Wrench (provided) and Phillips screwdriver (not provided).

Please call for replacement parts or assistance: 1-866-942-5362

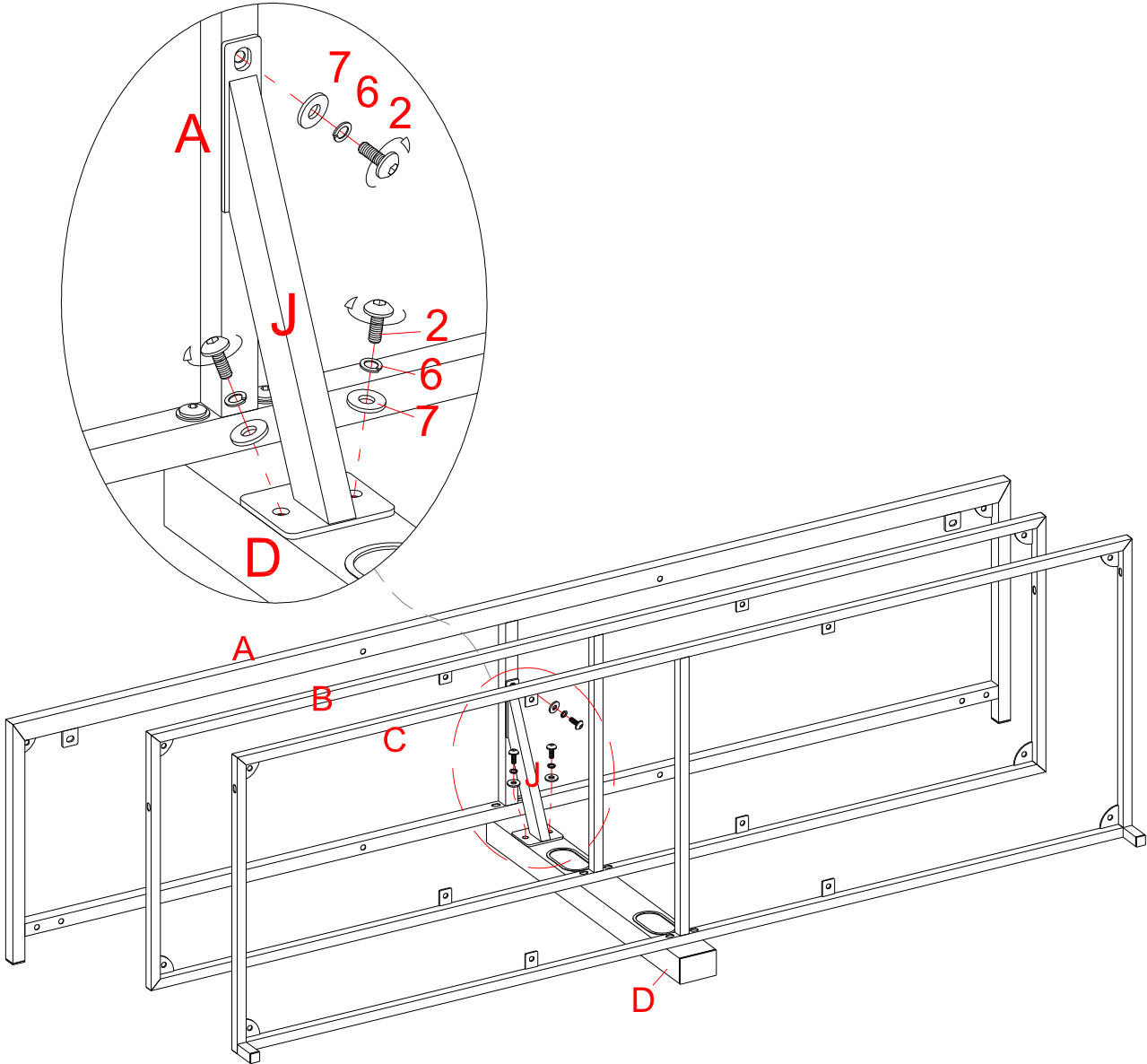
Assembly Instructions



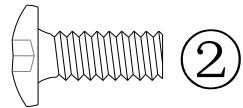
NOTE: Please do not fully tighten all bolts until you finish assembling all parts. Once assembled, go back and fully tighten all bolts. This will make the assembly easier.

1. Unpack the unit and confirm that you have all the hardware and required parts.
2. Locate the Spine (D) on a scratch free surface with 2 oval holes facing up, as shown.
3. Align and attach the Top Shelf Frame (A) to the Spine (D) by inserting two 1-1/4" Bolts (4) with Lock Washers (6) and Flat Washers (7) through the drilled holes at back rail and screw into the highest position of the Spine. Fasten 2 Lower Shelf Frames (B and C) to the Spine (D) using two 1-1/4" Bolts (4) in each. Make sure that the inside corner plates on the Shelf Frames will face up when the unit is turned upright.


Assembly Instructions



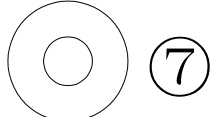
5/8" Bolt
(3 used in this step)



Lock Washer
(3 used in this step)

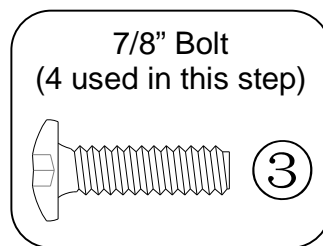
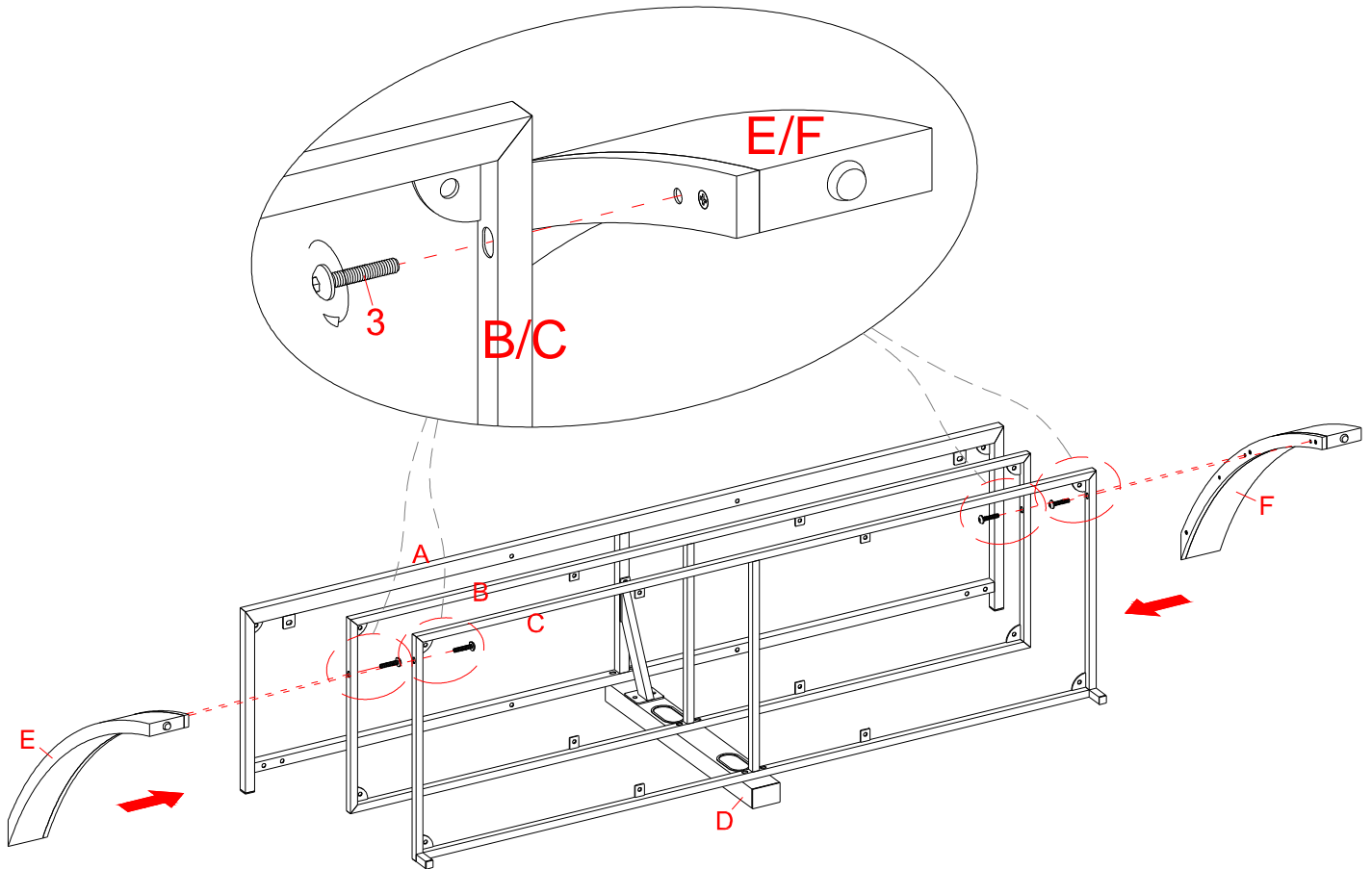


Flat Washer
(3 used in this step)



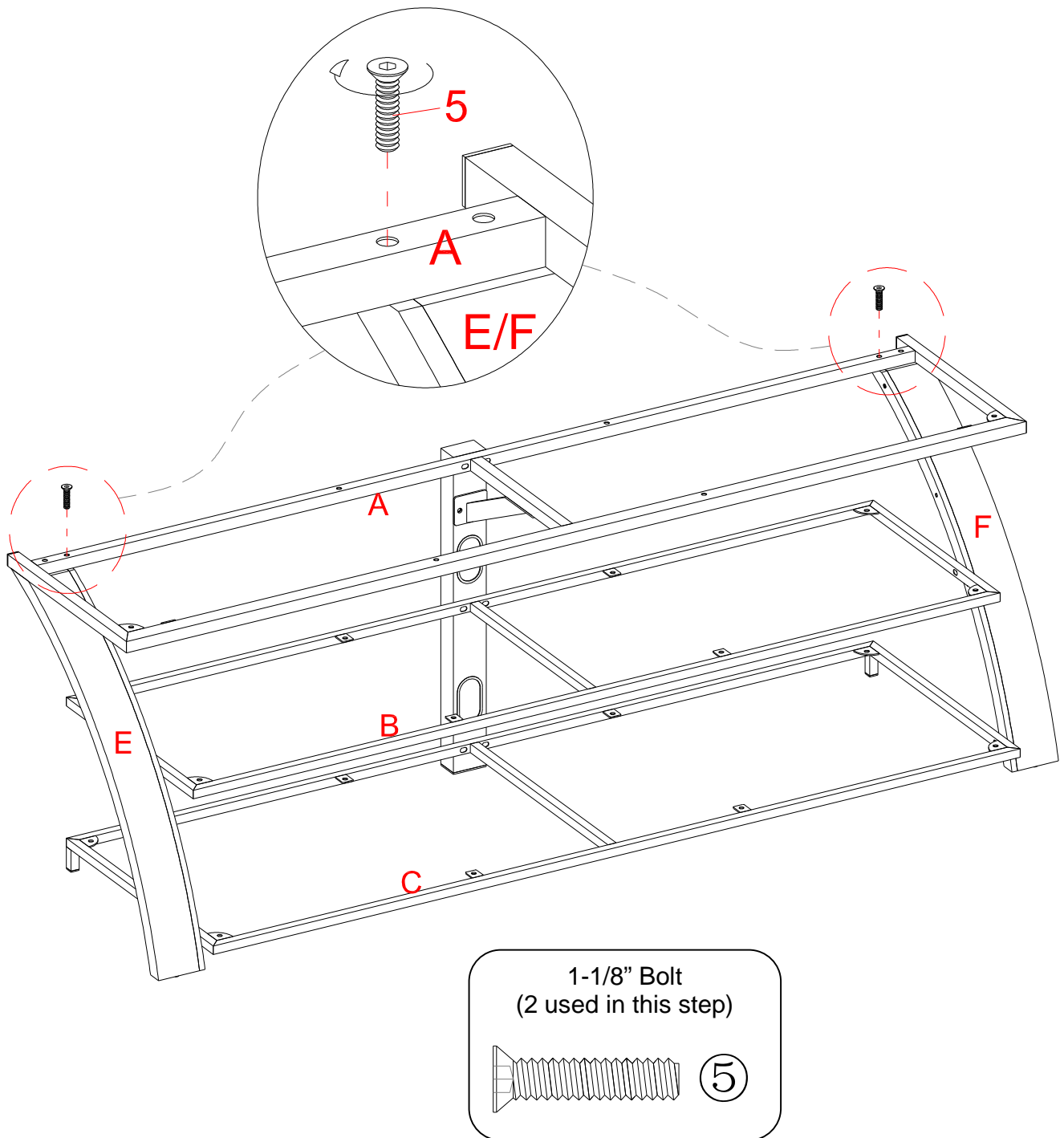
4. Align and attach Top Shelf Middle Support (J) to connect the middle rail of the Top Shelf Frame (A) with the Spine (D), using three 5/8" Bolts (2) with Washers (6 and 7).

Assembly Instructions



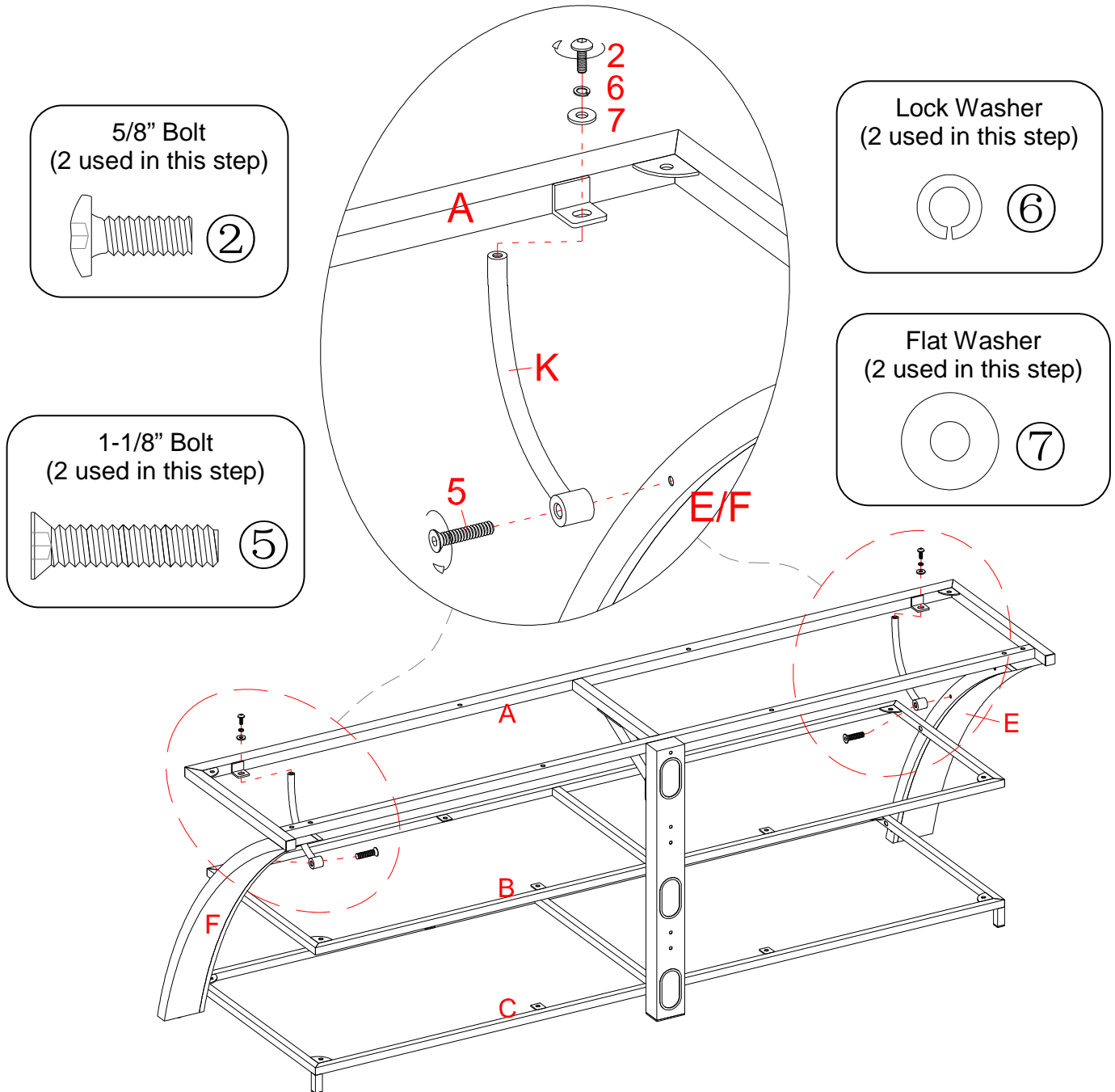
5. Align and attach Left Leg (E) to the Lower Shelf Frames (B and C) with two 7/8" Bolts (3). **DO NOT tighten the bolts.** Make sure that the pre-drilled holes on the back rail of the Top Shelf Frame (A) overlap the top threaded sockets on the Left Leg (E).
6. Repeat the same procedure to attach the Right Leg (F) at the opposite end.

Assembly Instructions



7. Stand the unit upright.
8. Insert two 1-1/8" Bolts (5) through the pre-drilled holes on the back rail of the Top Shelf Frame (A) and screw into the threaded sockets on the Legs (E and F).

Assembly Instructions

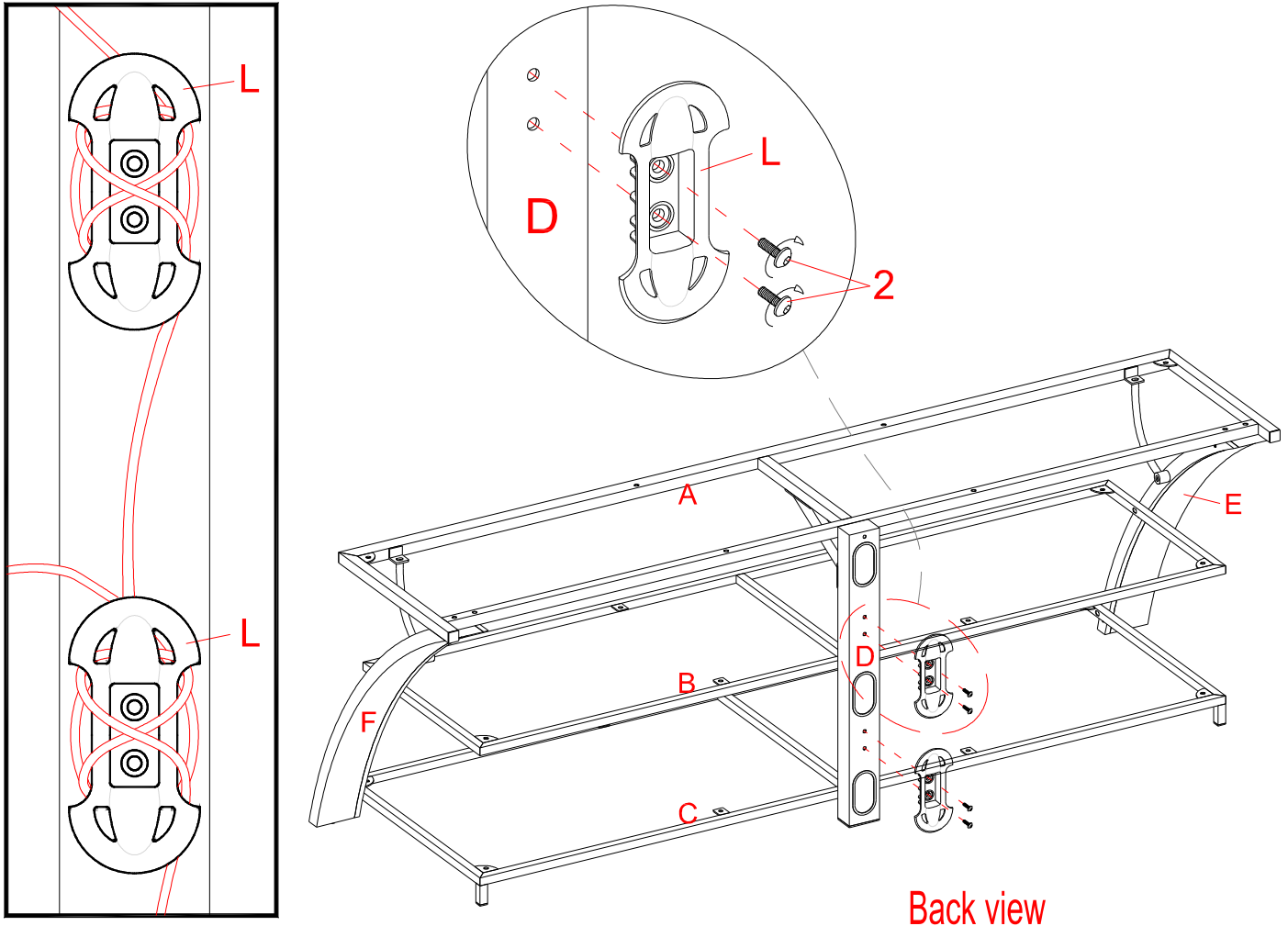


9. Align and attach one Top Shelf Side Support (K) to the "L" bracket of the Top Shelf Frame (A) using one 5/8" Bolt (2) with the Washers (6 and 7). Secure the Top Shelf Side Support (K) to the Left Leg (E) with the 1-1/8" Bolt (5). As shown above.

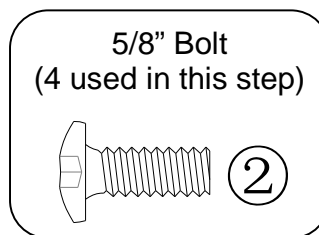
10. Repeat the same procedure to attach the other Top Shelf Side Support (K) at the other end.

Please call for replacement parts or assistance: 1-866-942-5362

Assembly Instructions

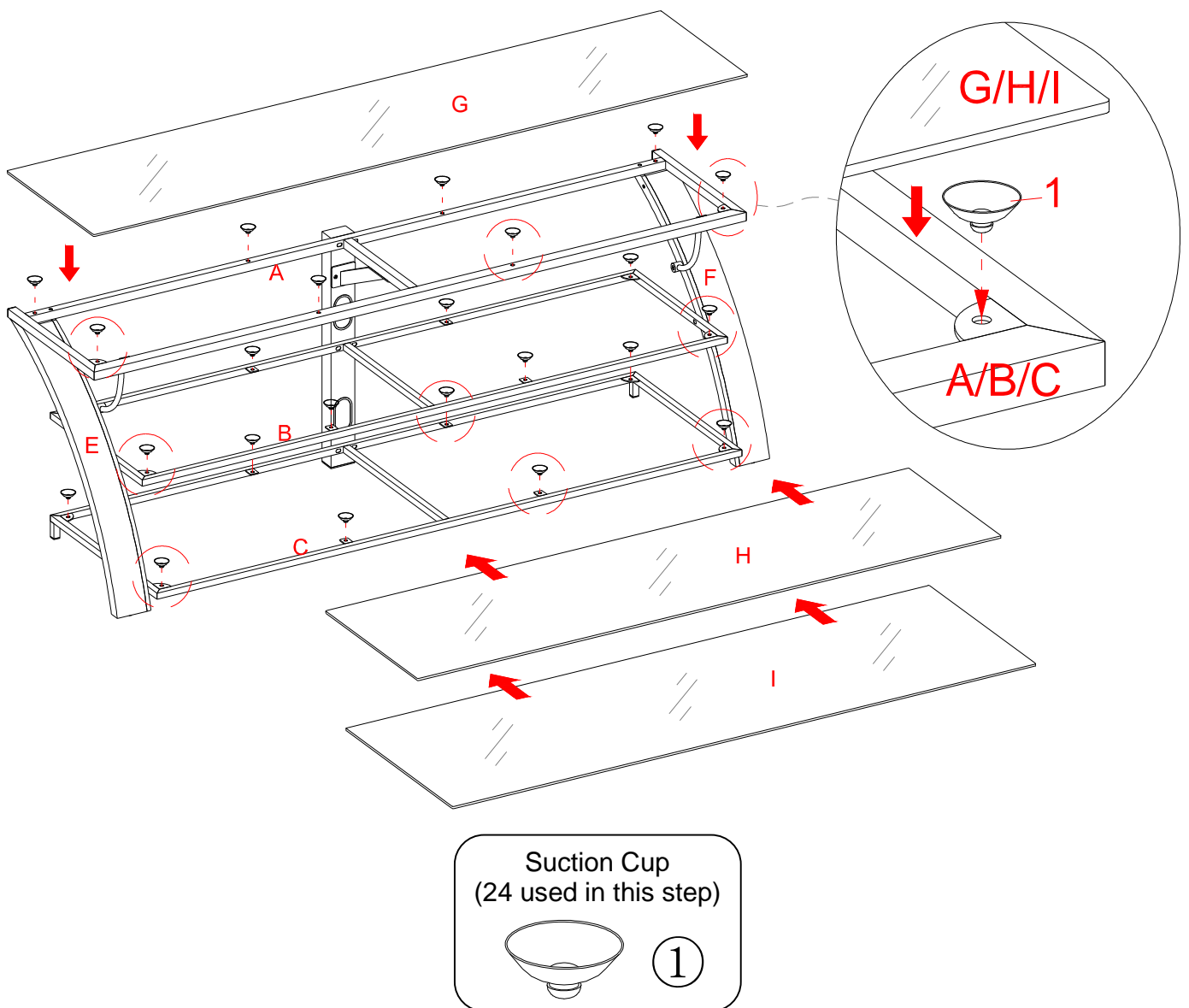


Back view



11. Attach 2 Cable Wheels (L) to the backside of the Spine (D) and tighten with the enclosed Allen Wrench.
12. The Cable Wheels allow you to organize, route and separate your component cords and cables to minimize tangling and signal interference.
13. Go back and tighten all bolts with the provided Allen Wrench.

Assembly Instructions



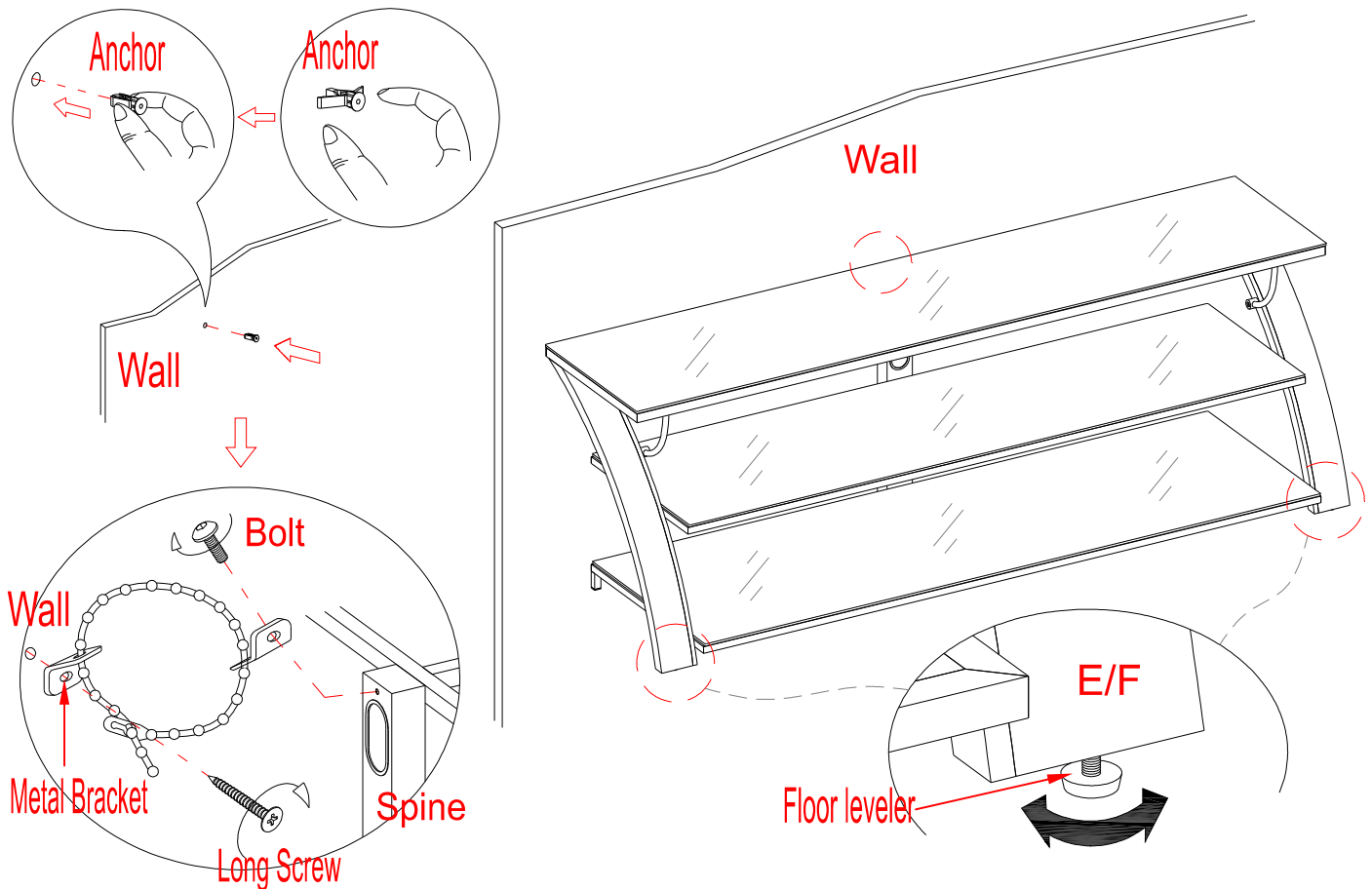
14. Put the Suction Cups (1) firmly into the top holes and the metal tabs on the Shelf Frames (A, B and C).

TIP: If a suction cup resists insertion, try pressing down on the middle of the cup with the Allen Wrench while twisting it clockwise into the hole.

15. Place the Glass Shelves (G, H and I) in place starting with the Bottom Glass Shelf (I). Make sure that the glass shelf is properly centered and the black side of glass shelf is down. Push each glass shelf all the way back against the Spine.

NOTE: If a glass shelf is scratched, you can minimize the damage by using a BLACK marker and filling in scratched area from underneath.

Assembly Instructions



Tools required: Allen Wrench (provided), Phillips screwdriver, Mallet, Power Drill, and 3/8" Drill Bit.

16. Position the assembled console at the desired location against a wall. If necessary, adjust the pre-attached Floor Levelers on the bottom of the Legs (E and F) to level the console.
17. Now, follow the instructions printed on the plastic bag containing the Tipping Restraint Hardware to attach the tip-over restraint to the Spine (D) and the wall.

NOTE: Young children can be seriously injured by tipping furniture. You must install the Tipping Restraint Hardware with the unit to prevent the unit from tipping, causing any accidents or damage. The tipping restraint is intended only as a deterrent, they are not a substitute for proper adult supervision. The tipping restraint is not an earthquake restraint. If you wish to add the extra security of earthquake restraints, they must be purchased and installed separately.

18. The console is now ready for use. Be sure to position your Flat Panel TV in the center of the console.

Care and Maintenance

- Use a soft, clean cloth that will not scratch the surface when dusting.
- Use of furniture polish is not necessary. Should you choose to use polish, test first in an inconspicuous area.
- Using solvents of any kind on your furniture may damage the finish.
- Never use water to clean your furniture as it may cause damage to the finish.
- Always use coasters under beverage glasses and flowerpots.
- Liquid spills should be removed immediately. Using a soft clean cloth, blot the spill gently. Avoid rubbing.
- Always use protective pads under hot dishes and plates. Heat can cause chemical changes that may create spotting within the furniture finish.
- Stains or marks from crayons or ink markers will be difficult to remove.
- In the event that your furniture is stained or otherwise damaged during use, we recommend that you call a professional to repair your furniture.
- Check bolts/screws periodically and tighten them if necessary.

Further advice about furniture care

It is best to keep your furniture in a climate-controlled environment. Extreme temperature and humidity changes can cause fading, warping, shrinking and splitting of wood. It is advised to keep furniture away from direct sunlight as sun may damage the finish.

Proper care and cleaning at home will extend the life of your purchase. Following these important and helpful tips will enhance your furniture as it ages.

A Touch-up Pen has been provided to repair any small nicks or scratches that may occur during assembly or shipping.

We hope you enjoy your purchase for many years.
Thank you for your purchase!

QUALITY GUARANTEE

We are confident that you will be delighted with your Whalen Furniture purchase.

Should this product be defective in workmanship or materials or fail under normal use, we will repair or replace it for up to one (1) year from the date of purchase. Every Whalen Furniture product is designed to meet your highest expectations. We guarantee that you will immediately see the value of our fine furniture.

This warranty gives you specific legal rights and you may also have other rights which vary from State to State (province to province).

Customer Service: 1-866-942-5362

8:30 a.m. - 4:30 p.m. PST, Monday to Friday

www.whalenfurniture.com

Please call for replacement parts or assistance: 1-866-942-5362