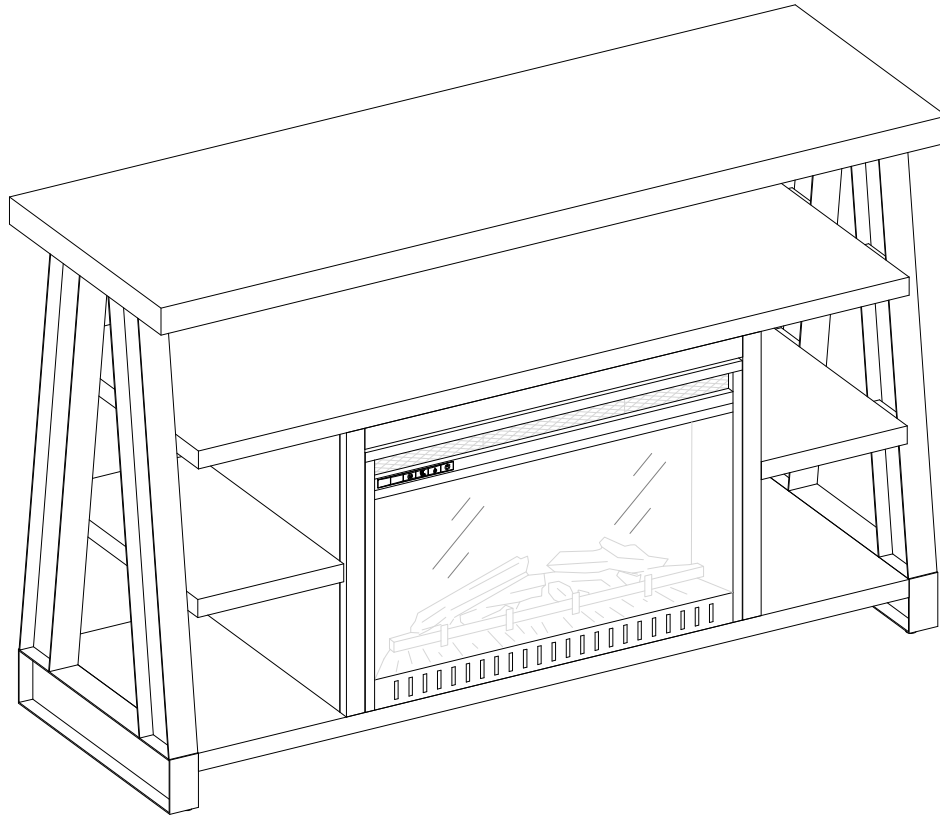




LOT NUMBER: _____
DATE PURCHASED: __/__/__

Industria Fireplace Console Model # AVFC54-12BT



ADULT ASSEMBLY REQUIRED

If you have any questions regarding assembly or if parts are missing, DO NOT return this item to the store where it was purchased. Please call our toll-free customer service number and have your instructions and parts list ready to provide the model name, part name or factory number:

1-866-942-5362

Pacific Standard Time: 8:30 a.m. - 4:30 p.m., Monday to Friday

Or visit our website 24 hours a day, 7 days a week for product assistance at

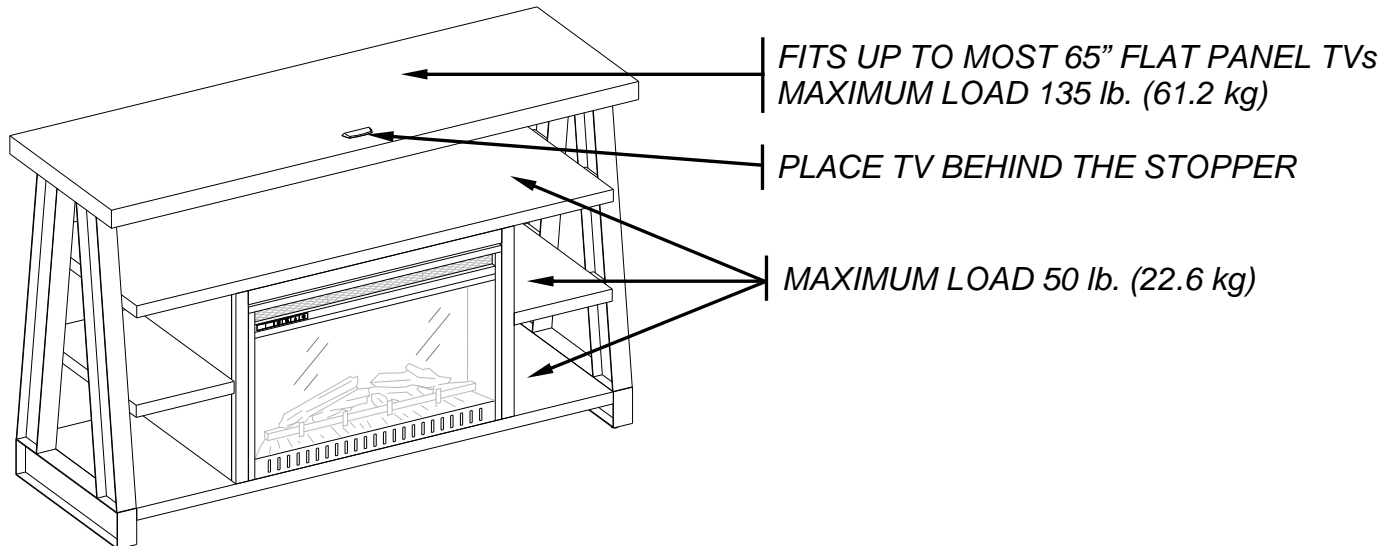
www.whalenstyle.com

Or e-mail your request to **parts@whalenfurniture.com**

**THIS INSTRUCTION BOOKLET CONTAINS IMPORTANT SAFETY INFORMATION.
PLEASE READ AND KEEP FOR FUTURE REFERENCE.**

MAXIMUM RECOMMENDED WEIGHT LOADS

MANUFACTURER: Whalen Furniture Manufacturing
 CATALOG: Industria Fireplace Console (AVFC54-12BT)
 DATE OF MANUFACTURE: September 2014
 MADE IN CHINA



WARNING

THIS UNIT IS NOT INTENDED FOR USE WITH CRT TVS. USE ONLY WITH FLAT PANEL TVS AND AUDIO/VIDEO EQUIPMENT MEETING RECOMMENDED SIZE AND WEIGHT LIMITS. NEVER USE WITH LARGER/HEAVIER THAN RECOMMENDED FLAT PANEL TVS OR EQUIPMENT. TO AVOID INSTABILITY, PLACE FLAT PANEL TV IN THE CENTRE OF THE UNIT; DO NOT ALLOW TV TO OVERHANG UNIT IN ANY DIMENSION. IMPROPERLY POSITIONED FLAT PANEL TVS, OR FLAT PANEL TVS OR OTHER EQUIPMENT THAT EXCEED RECOMMENDED SIZE AND WEIGHT LIMITS COULD FALL OFF OR BREAK THE UNIT, CAUSING POSSIBLE SERIOUS INJURY.

GENERAL INFORMATION, TIPS and TRICKS

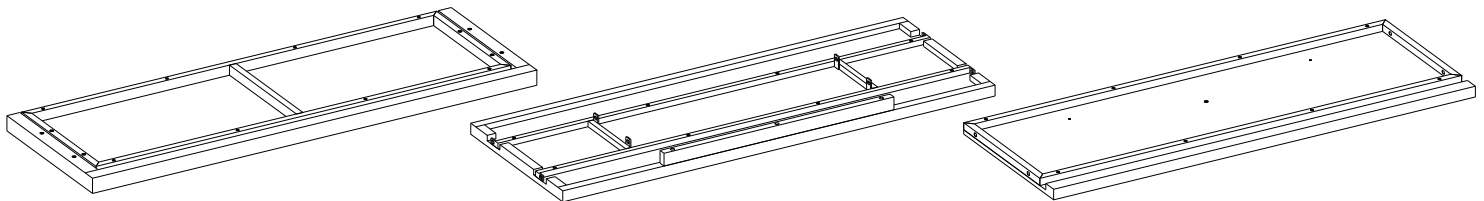
1. Please read the Assembly Instructions prior to assembling this product.
2. Remove all hardware from the box and sort by size.
3. Check to see that all hardware and parts are present BEFORE assembling.
4. Ask a friend to assist you with the assembly of this furniture.
5. To avoid damage, assemble the product on a sturdy, level and protective surface.
6. Please wait until all steps are completed before fully tightening Bolts.
7. Make sure all bolts are tightly fastened before the unit is used.

This product is sold with two sets of Tipping Restraint Hardware Kits. You must install the Tipping Restraint Hardware between the wall and the TV console to prevent any accidents or damages. When properly installed, this restraint can provide protection against the unexpected tipping of the unit due to small tremors, bumps or climbing. The restraint is only a deterrent and is not a substitute for proper adult supervision. Use of tip-over restraints may only reduce, but not eliminate, the risk of tip-over.

Please call for replacement parts or assistance: **1-866-942-5362**

Parts and Hardware List

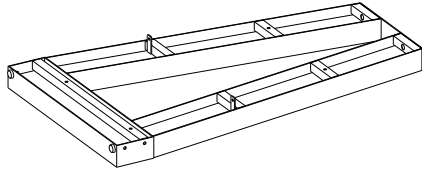
Please read completely through the instructions and verify that all listed parts and hardware are present before beginning assembly.



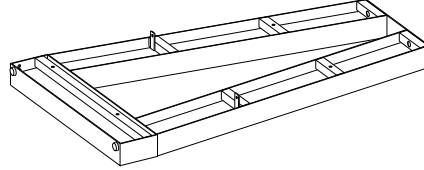
A- Top Panel (1)

B- Fixed Shelf (1)

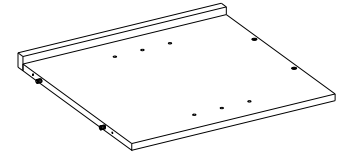
C- Bottom Shelf (1)



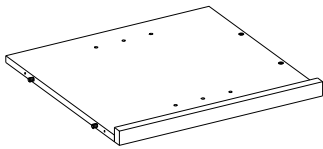
D- Left Leg (1)



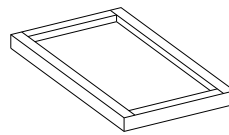
E- Right Leg (1)



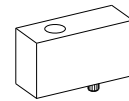
F- Left Partition Panel (1)



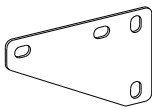
G- Right Partition Panel (1)



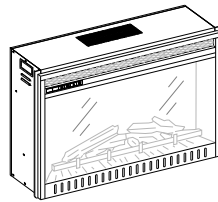
I- Removable Shelf (2)



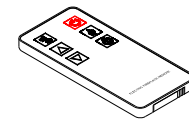
J- Firebox Support (1)



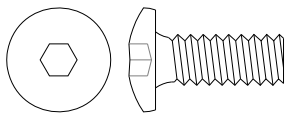
K- Metal Bracket (2)



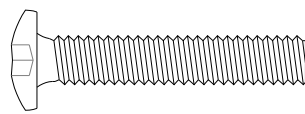
L- Fireplace Insert (1)



M- Remote Control with Battery (1)



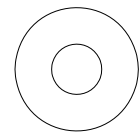
(1) 5/8" Bolt
(20+1 extra)



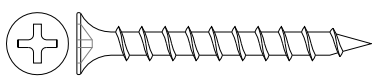
(2) 1-3/8" Bolt
(9+1 extra)



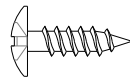
(3) Lock Washer
(24+1 extra)



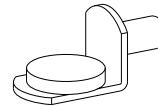
(4) Flat Washer
(24+1 extra)



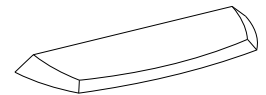
(5) 1-1/2" Wood Screw
(4+1 extra)



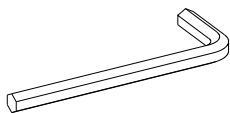
(6) 1/2" Wood Screw
(8+1 extra)



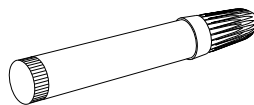
(7) Shelf Support w/Hole
(4+1 extra)



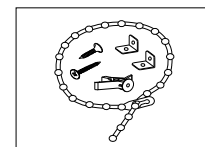
(8) Acrylic Stopper
(1)



Allen Wrench
(2)



Touch-up Pen
(1)



Tipping Restraint Hardware Kit (2)
(Inside Plastic Bag)

Tools required: Allen wrench (provided) and Phillips screwdriver (not provided).

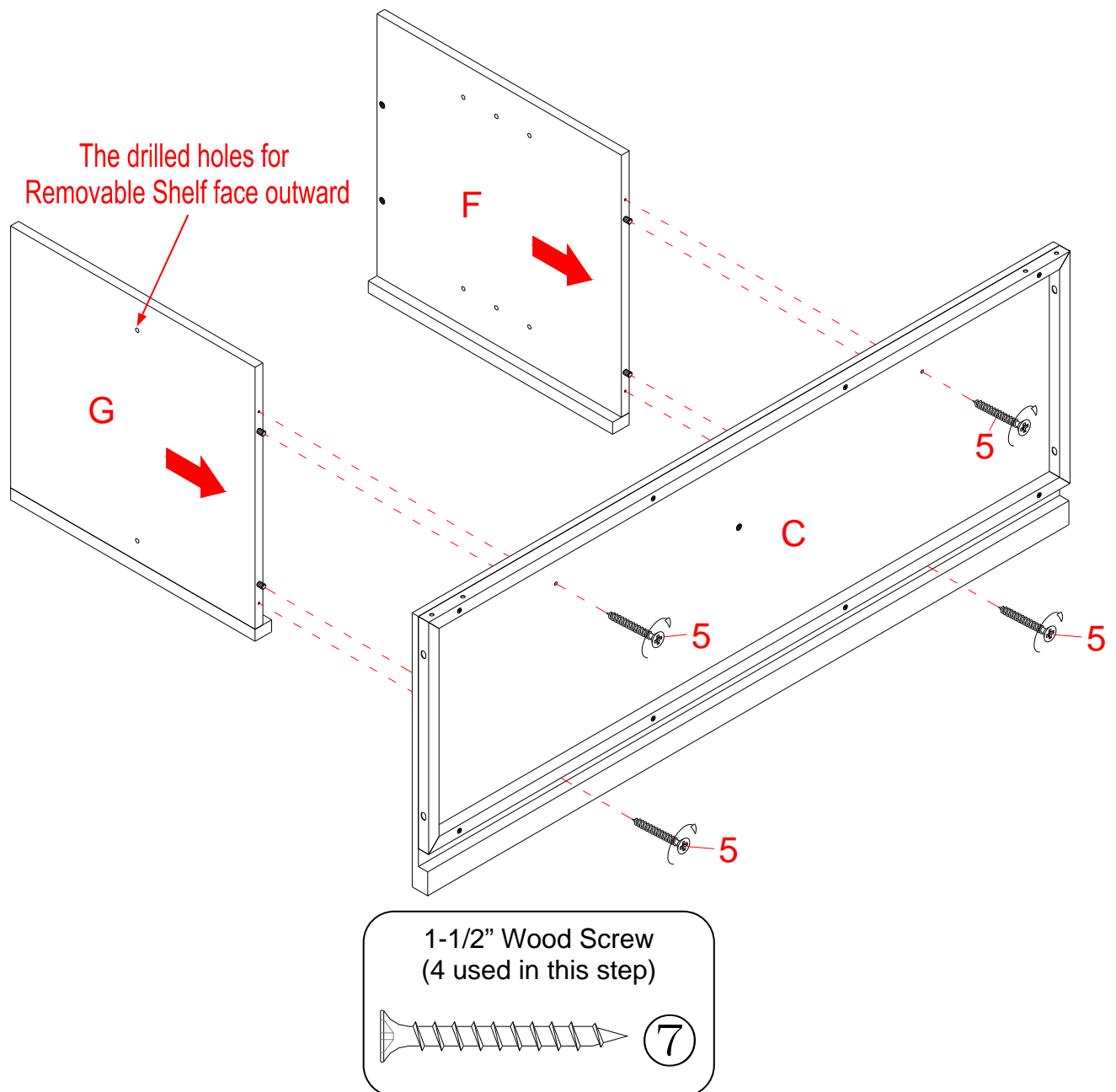
Please call for replacement parts or assistance: 1-866-942-5362

Assembly Instructions

NOTE: *Please do not fully tighten all bolts until you finish assembling all parts. Once assembled, go back and fully tighten all bolts. This will make the assembly easier.*

1. Unpack the unit and confirm that you have all the hardware and required parts.
2. Using the end wood dowels as a guide, fasten Left and Right Partition Panels (F and G) to the Bottom Shelf (C) with four 1-1/2" Wood Screws (5). As shown. Make sure that the front moldings are even with each other and the drilled holes for Removable Shelves (I) on Partition Panels face outward.

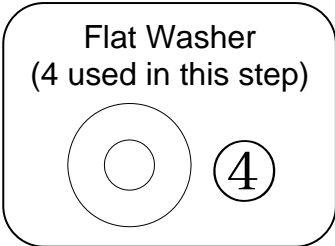
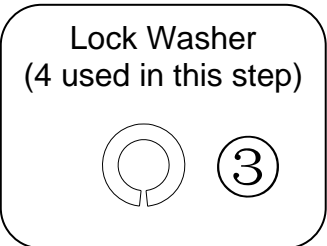
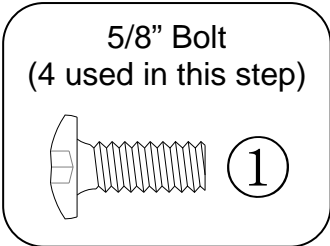
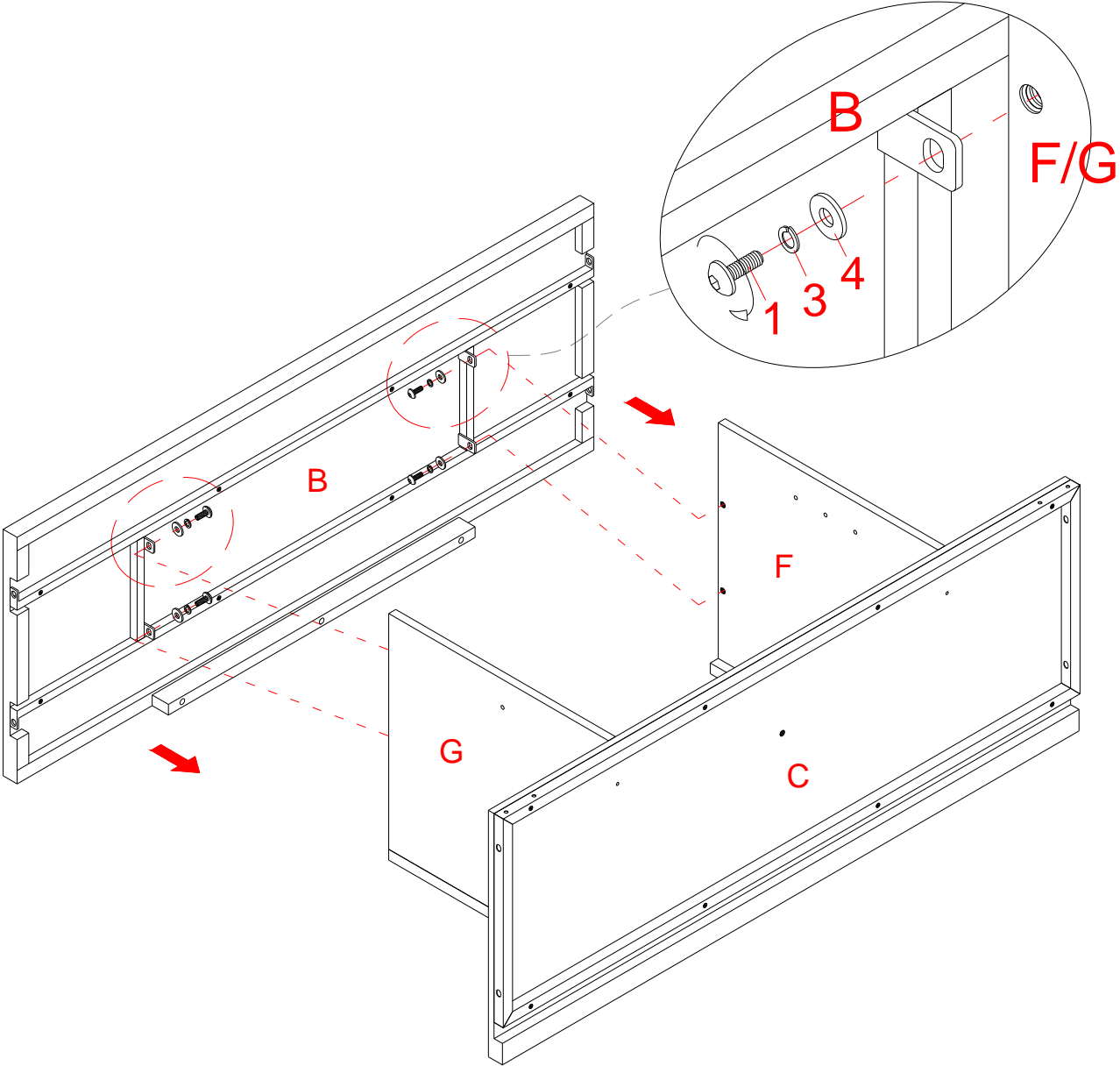
NOTE: Press the Partition Panels (F and G) to Bottom Shelf (C) while tightening the screws.



Please call for replacement parts or assistance: 1-866-942-5362

Assembly Instructions

- 3. Align and attach the Fixed Shelf (B) to the top of both Partition Panels (F and G) by inserting four 5/8" Bolts (1) with Lock Washers (3) and Flat Washers (4) through the metal brackets and screw into the threaded inserts on partition panels. As shown. Make sure that the front moldings are even with each other.

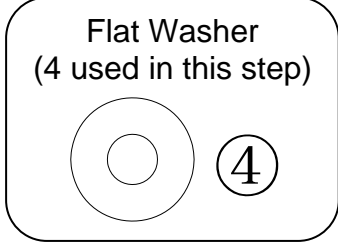
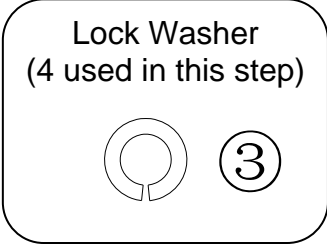
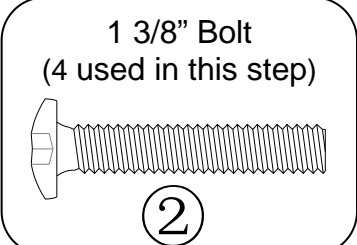
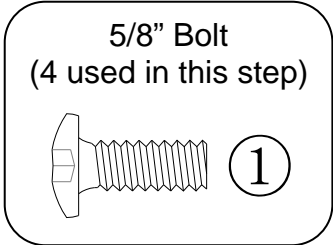
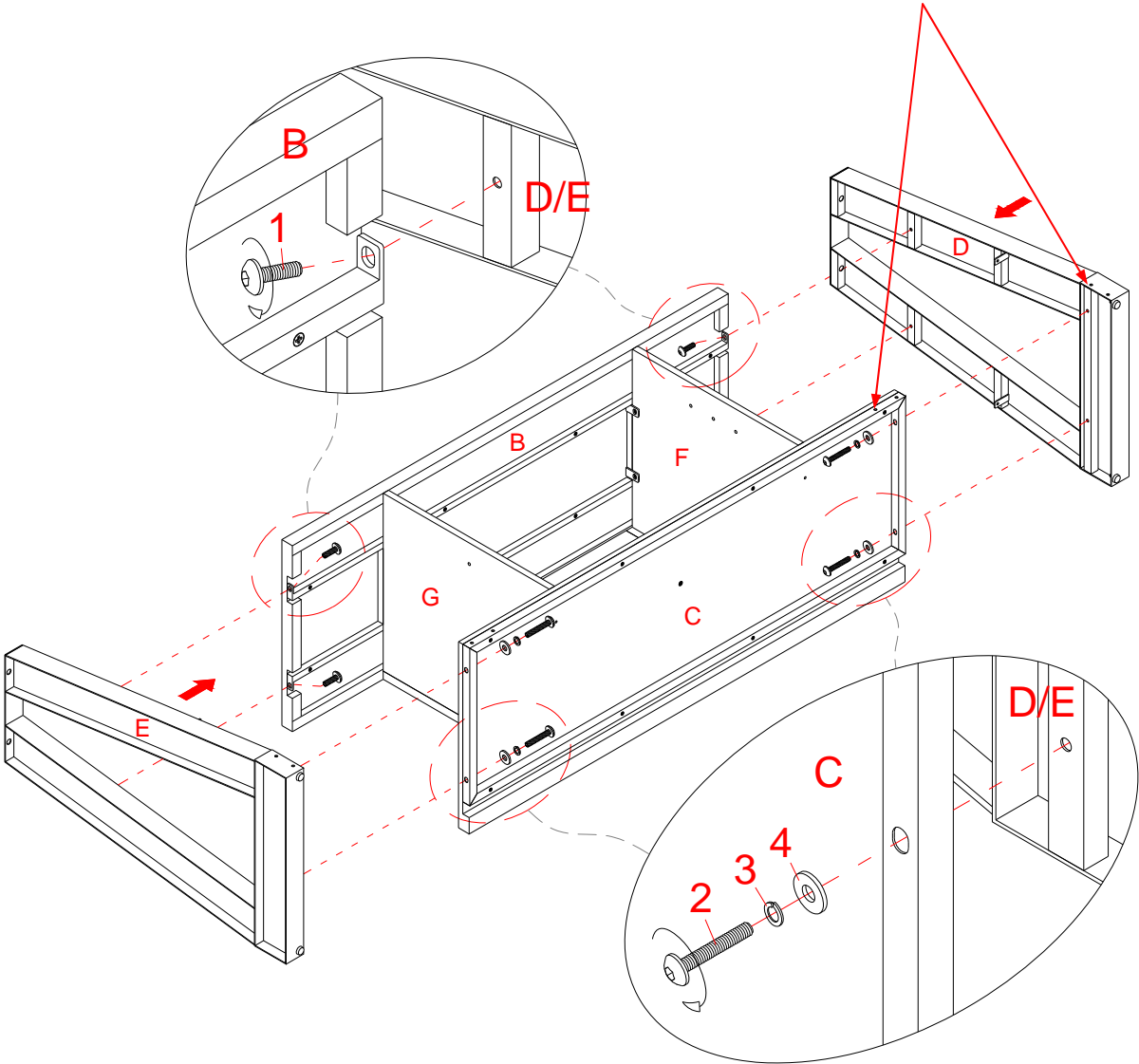


Please call for replacement parts or assistance: 1-866-942-5362

Assembly Instructions

- 4. Align and attach Left Leg (D) to the Bottom Shelf (C) by using two 1-3/8" Bolts (2) with the Washers (3 and 4) through the bottom metal frame and screw into place. As shown.
- 5. Fasten the Left Leg (D) to the Fixed Shelf (B) with two 5/8" Bolts (1). As shown.
- 6. Repeat the same procedure to attach Right Leg (E) at the opposite end.

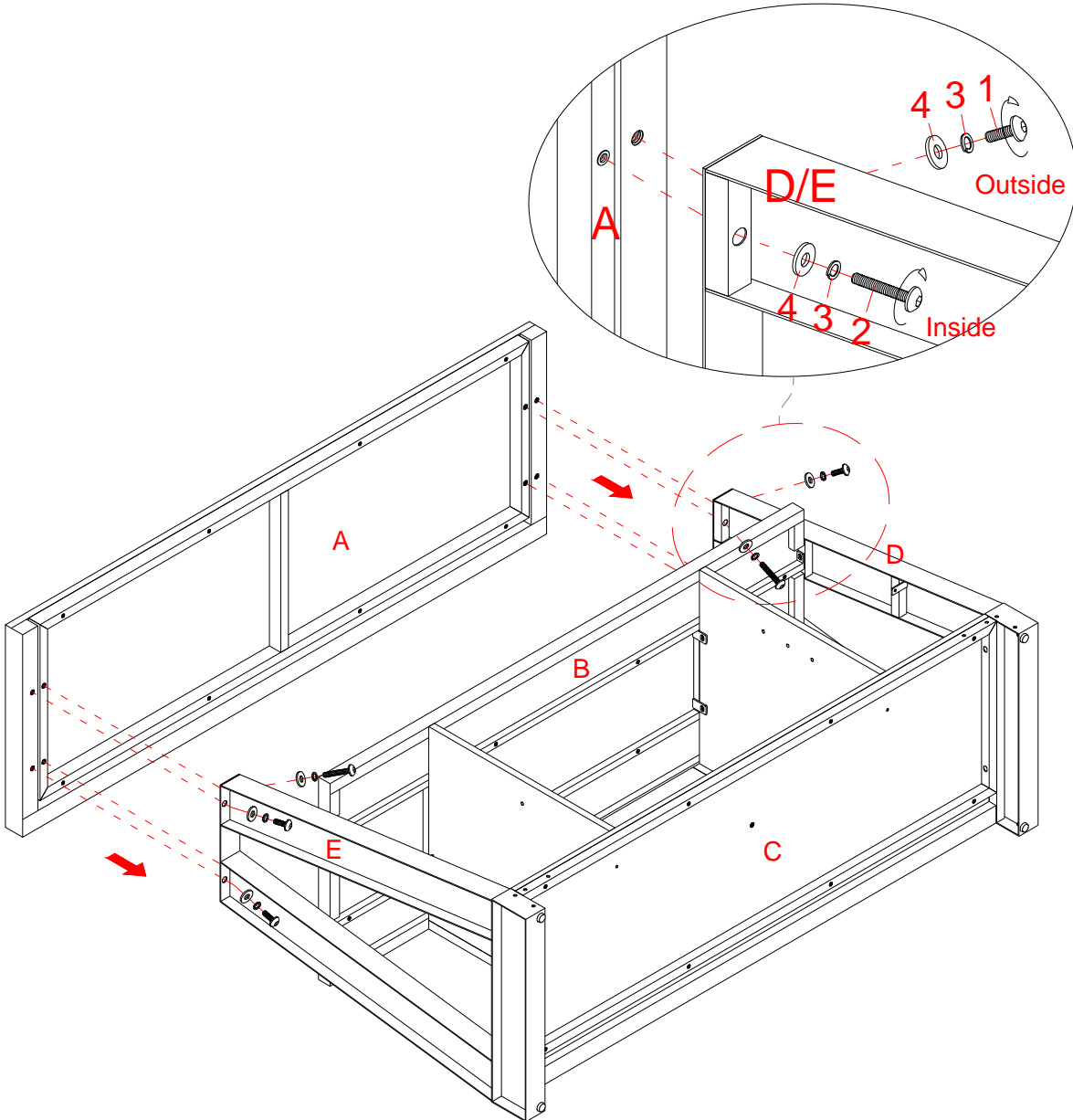
The threaded sockets for metal bracket



Please call for replacement parts or assistance: 1-866-942-5362

Assembly Instructions

- 7. Align and attach the Top Panel (A) to both Legs (D and E) by inserting the 1-3/8" Bolts (2) with the Washers (3 and 4) through the inner tubes and inserting the 5/8" Bolts (1) with the Washers (3 and 4) through the outer holes on the top plate and screw into place. As shown.



5/8" Bolt
(4 used in this step)

①

1 3/8" Bolt
(4 used in this step)

②

Lock Washer
(8 used in this step)

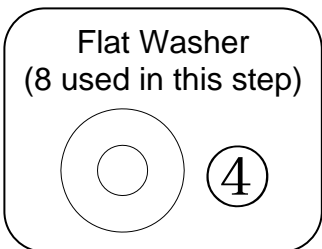
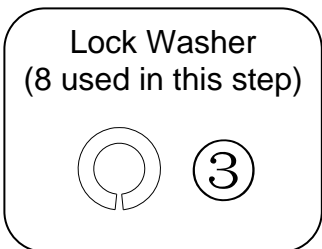
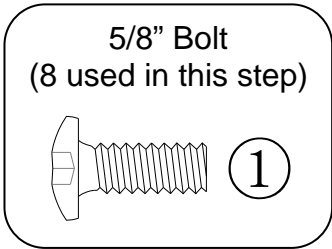
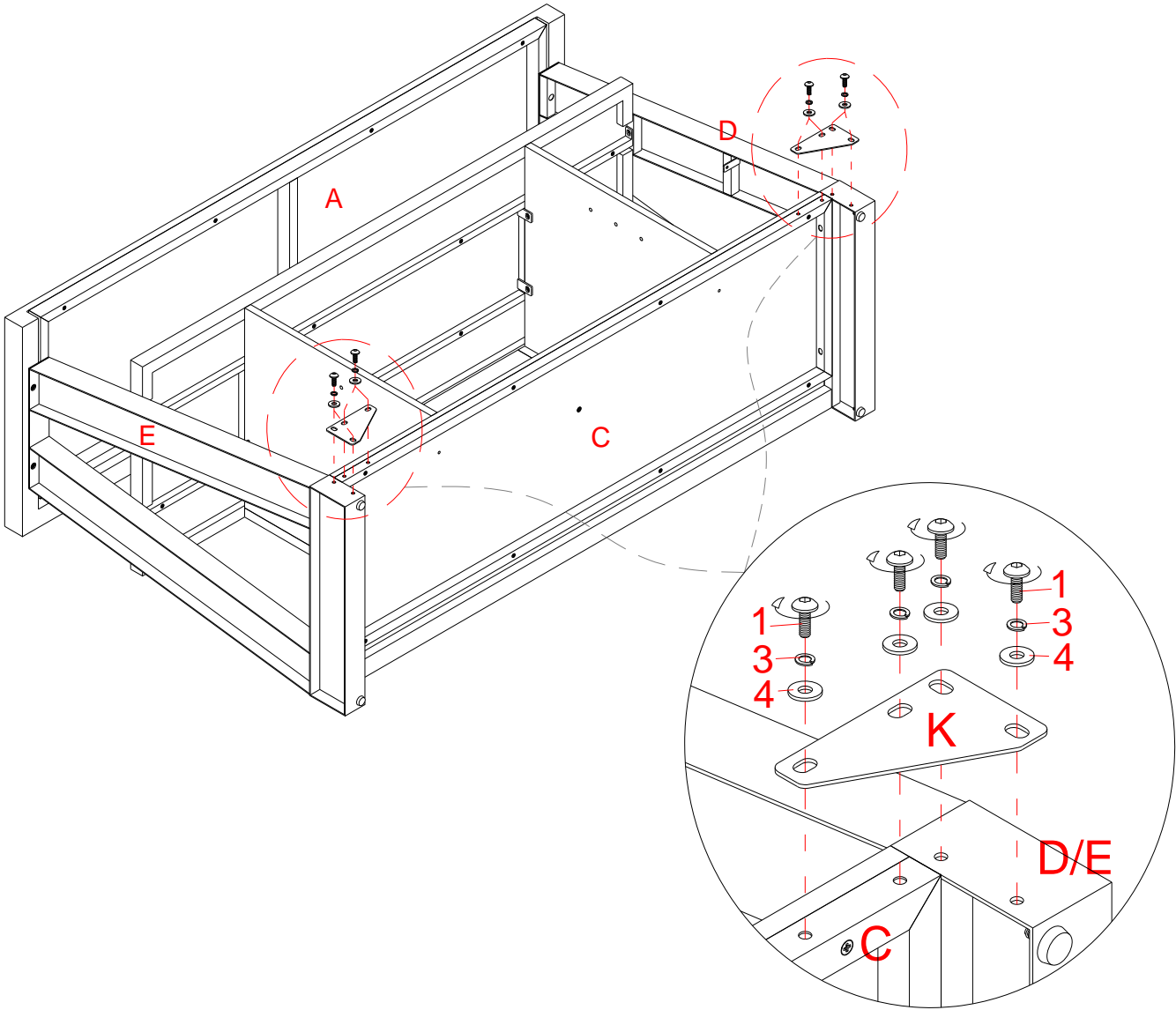
③

Flat Washer
(8 used in this step)

④

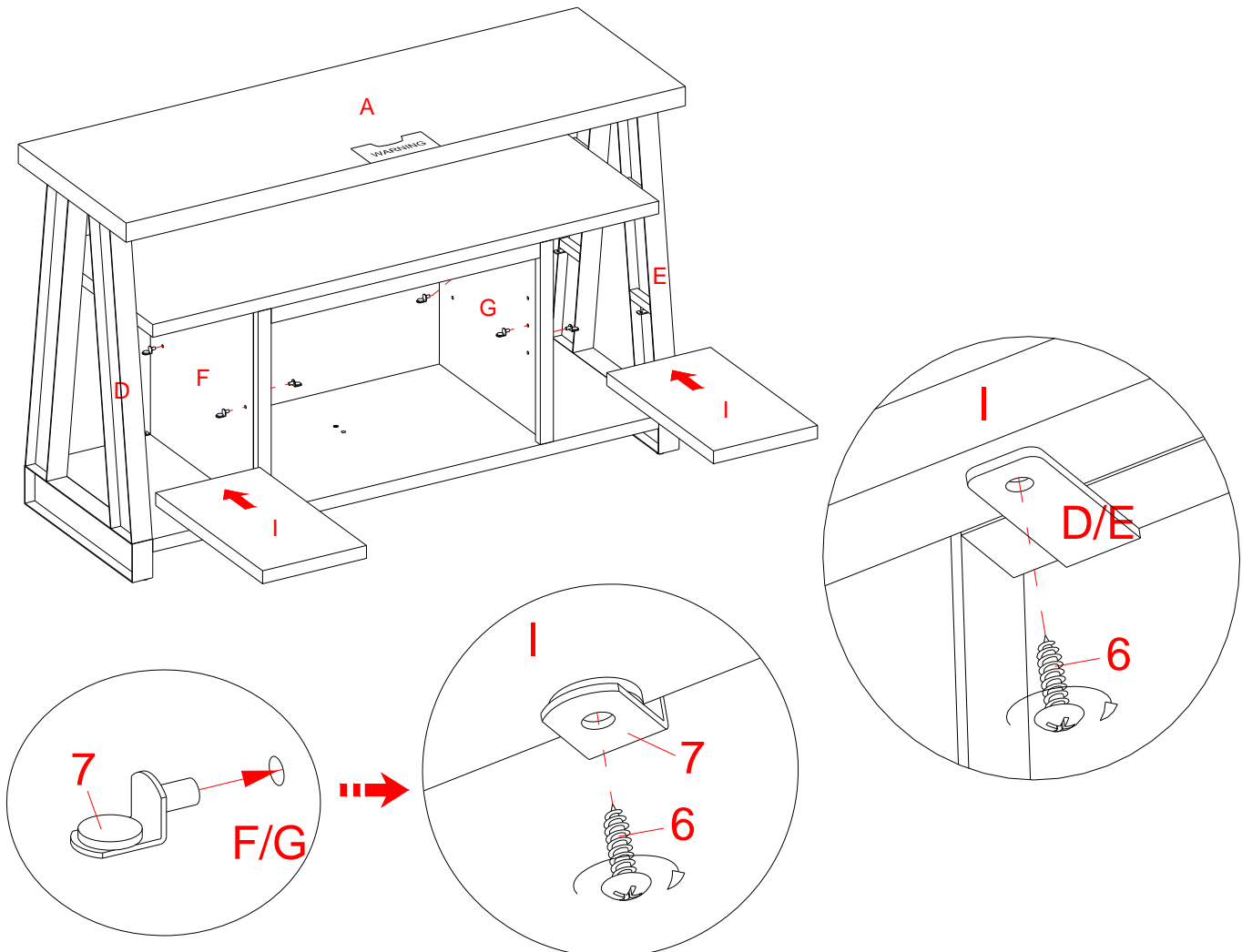
Assembly Instructions

8. Fasten 2 Metal Brackets (K) to connect the Bottom Shelf (C) with both Legs (D and E), using four 5/8" Bolts (1) and four Washers (3 and 4) per bracket. As shown.

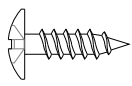


Assembly Instructions

- 9. Go back and tighten all the bolts. Ask for assistance to stand the unit upright.
- 10. Insert two Shelf Supports (7) into the outer holes on each Partition Panel (F and G). Tilt and set the Removable Shelves (I) onto the Shelf Supports (7) and the metal brackets on the Legs (D and E). Secure the shelves in place with the 1/2" Wood Screws (6) for extra support.

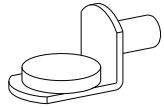


1/2" Wood Screw
(8 used in this step)



⑥

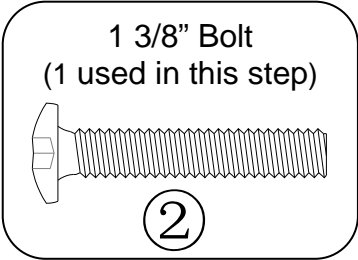
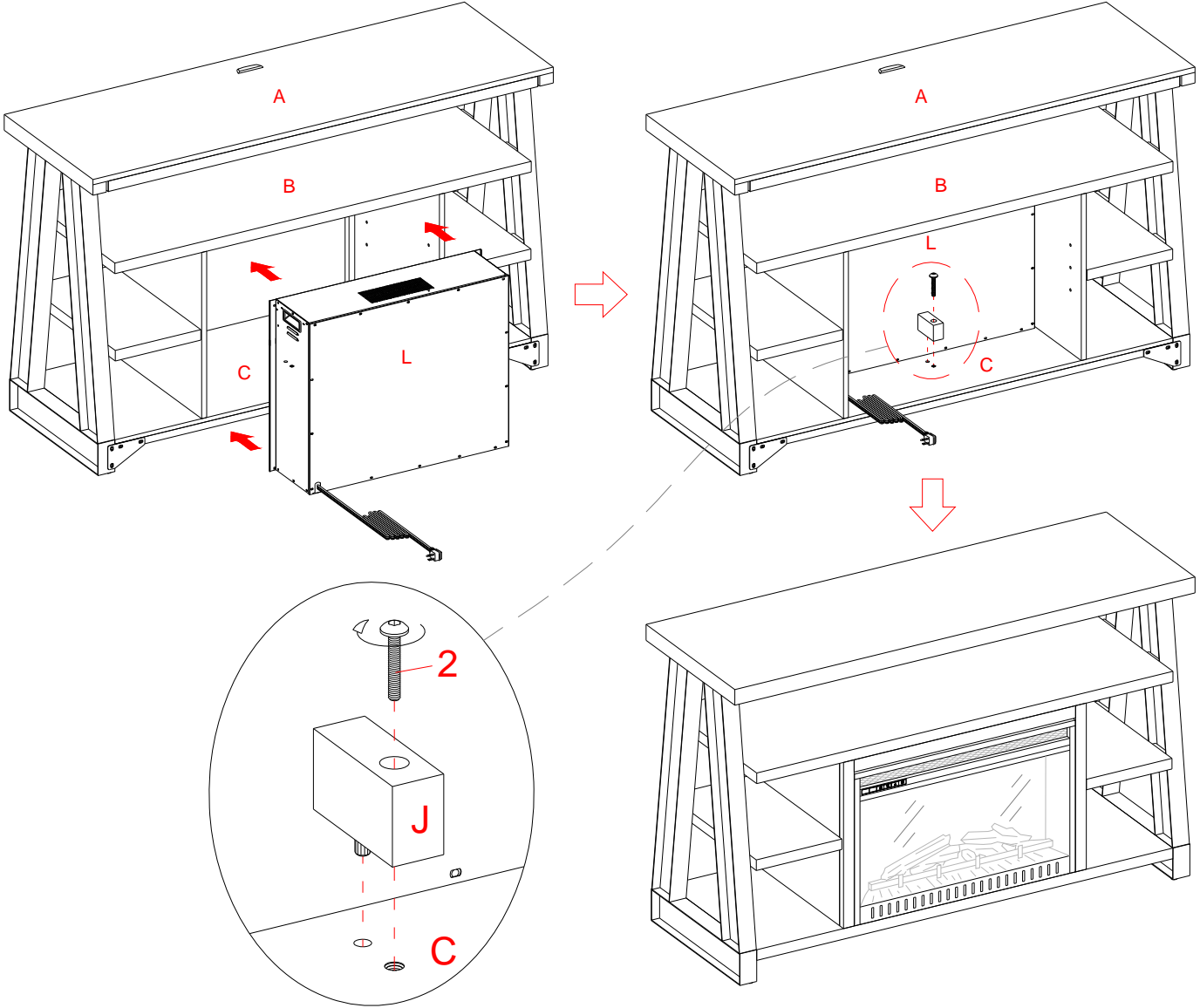
Shelf Support
(4 used in this step)



⑦

Assembly Instructions

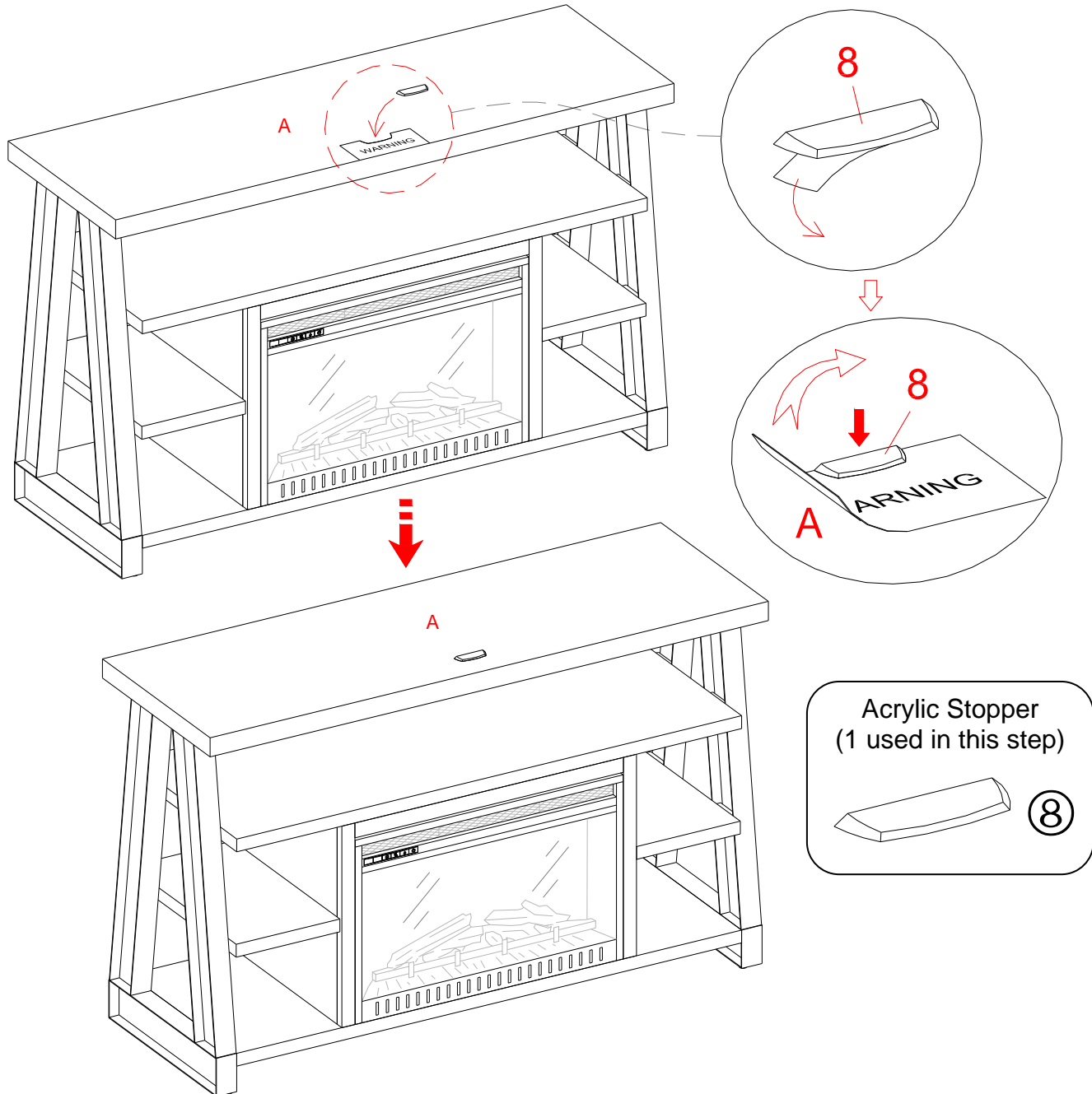
11. Carefully set the Fireplace Insert (L) into the back of the assembled unit and center it in the opening. Use care not to scratch the wood. Check the alignment, and then attach the Firebox Support (J) to the Bottom Shelf (C) with the end wood dowel fully inserted by using one 1-3/8" Bolt (2). Tighten the bolt with the enclosed Allen wrench.



Assembly Instructions

12. Remove the tape from the back of Acrylic Stopper (8), then properly align the Acrylic Stopper into the cut-out on the acrylic stopper template on the front of the Top Panel (A). Press down on the Acrylic Stopper.
13. Carefully remove the acrylic stopper template from the Top Panel (A).

NOTE: When you place the TV on the stand, make sure that the base of the TV is behind the Acrylic Stopper (8). This will help prevent the TV from sliding off your stand if your stand is accidentally bumped or tipped.



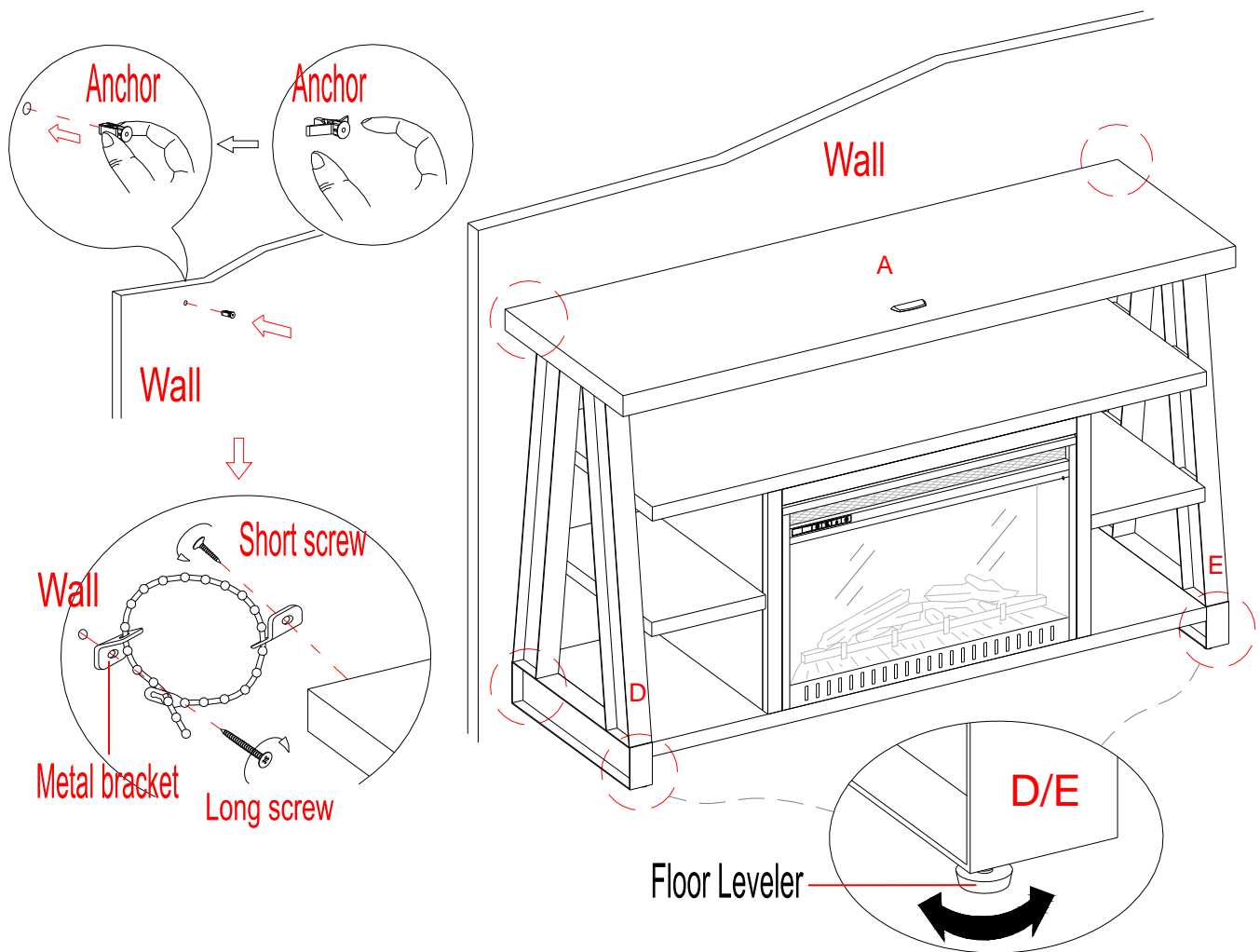
Please call for replacement parts or assistance: 1-866-942-5362

Assembly Instructions

14. Position the assembled console at the desired location against a wall. If necessary, adjust the pre-attached Floor Levelers at the bottom of the Legs (D and E) to level the unit. Now, follow the instructions printed on the plastic bag containing the Tipping Restraint Hardware to attach the tip-over restraint to the Top Panel and the wall.

NOTE: Young children can be seriously injured by tipping furniture. You must install the Tipping Restraint Hardware with the unit to prevent the unit from tipping, causing any accidents or damage. The tipping restraints are intended only as a deterrent, they are not a substitute for proper adult supervision. The tipping restraints are not earthquake restraints. If you wish to add the extra security of earthquake restraints, they must be purchased and installed separately.

15. The console is now ready for use. Be sure to position your TV in the center of the console, behind the Acrylic Stopper (8).



Tools required: Allen wrench (provided), Phillips screwdriver, Mallet, Power Drill, and 3/8" Drill Bit.

Please call for replacement parts or assistance: 1-866-942-5362

Whalen Furniture Manufacturing

Page 12

Factory No. 16434

Care and Maintenance

- Use a soft, clean cloth that will not scratch the surface when dusting.
- Use of furniture polish is not necessary. Should you choose to use polish, test first in an inconspicuous area.
- Using solvents of any kind on your furniture may damage the finish.
- Never use water to clean your furniture as it may cause damage to the finish.
- Always use coasters under beverage glasses and flowerpots.
- Liquid spills should be removed immediately. Using a soft clean cloth, blot the spill gently. Avoid rubbing.
- Always use protective pads under hot dishes and plates. Heat can cause chemical changes that may create spotting within the furniture finish.
- Stains or marks from crayons or ink markers will be difficult to remove.
- In the event that your furniture is stained or otherwise damaged during use, we recommend that you call a professional to repair your furniture.
- Check bolts/screws periodically and tighten them if necessary.

Further advice about wood furniture care

It is best to keep your furniture in a climate-controlled environment. Extreme temperature and humidity changes can cause fading, warping, shrinking and splitting of wood. It is advised to keep furniture away from direct sunlight as sun may damage the finish.

Proper care and cleaning at home will extend the life of your purchase. Following these important and helpful tips will enhance your furniture as it ages.

Cleaning trim for fireplace

Clean the metal trim using a soft cloth, slightly dampened with citrus oil based product and buff with a clean soft cloth. DO NOT use brass polish or household cleaners as these products will damage the metal trim. Citrus oil based products can be obtained at supermarkets or hardware stores.

A Touch-up Pen has been provided to repair any small nicks or scratches that may occur during assembly or shipping.

We hope you enjoy your purchase for many years.

Thank you for your purchase!

QUALITY GUARANTEE

We are confident that you will be delighted with your Whalen Furniture purchase.

Should this product be defective in workmanship or materials or fail under normal use, we will repair or replace it for up to one (1) year from date of purchase. Every Whalen Furniture product is designed to meet your highest expectations. We guarantee that you will immediately see the value of our fine furniture.

This warranty gives you specific legal rights and you may also have other rights which vary from State to State.

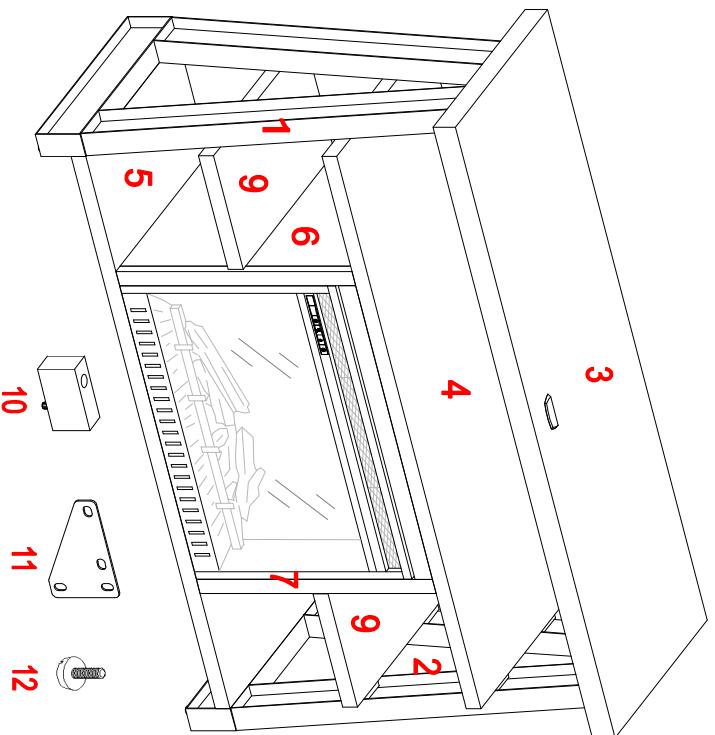
Customer Service: 1-866-942-5362

8:30 a.m. - 4:30 p.m., PST, Monday to Friday

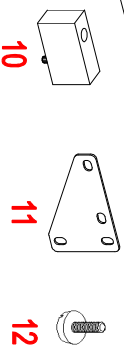
www.whalenstyle.com

Please call for replacement parts or assistance: 1-866-942-5362

IF YOU NEED TO ORDER ANY REPLACEMENT PARTS, PLEASE USE THE LIST BELOW
Industrial Fireplace Console (AVFC54-12BT)



- *AVFC54-12BT-1-LL Left Leg
- *AVFC54-12BT-2-RL Right Leg
- *AVFC54-12BT-3-TP Top Panel
- *AVFC54-12BT-4-FS Fixed Shelf
- *AVFC54-12BT-5-BS Bottom Shelf
- *AVFC54-12BT-6-LPP Left Partition Panel
- *AVFC54-12BT-7-RPP Right Partition Panel
- *AVFC54-12BT-9-RS Removable Shelf
- *AVFC54-12BT-10-FS Firebox Support
- *AVFC54-12BT-11-MB Metal Bracket
- *AVFC54-12BT-12-FL Floor Leveler
- *AVFC54-12BT-13-5/8B 5/8" Bolt
- *AVFC54-12BT-14-1 3/8B 1-3/8" Bolt
- *AVFC54-12BT-15-LW Lock Washer
- *AVFC54-12BT-16-FW Flat Washer
- *AVFC54-12BT-17-1/2WS 1/2" Wood Screw
- *AVFC54-12BT-18-1 1/2WS 1-1/2" Wood Screw
- *AVFC54-12BT-19-SSH Shelf Support w/Hole



- *AVFC54-12BT-20-AS Acrylic Stopper
- *AVFC54-12BT-21-M4AW 4 mm Allen Wrench
- *AVFC54-12BT-22-TUP Touch-up Pen
- *AVFC54-12BT-23-TRHK Tipping Restraint Hardware Kit
- *AVFC54-12BT-CH Complete Hardware
- *AVFC54-12BT-24-RC6B Remote Control 6 Buttons (FP26-1A-RC6B)
- *AVFC54-12BT-25-H Heater (FP26-1A-H)
- *AVFC54-12BT-26-B Blower (FP26-1A-B)
- *AVFC54-12BT-27-FGDM Flame Generator Drive Motor (FP26-1A-FGDM)
- *AVFC54-12BT-28-RS Reflector Spindle (FP26-1A-RS)
- *AVFC54-12BT-29-MPCBN Main PCB (FP26-1A-MPCBN)
- *AVFC54-12BT-30-CPPCBN Control Panel PCB (FP26-1A-CPPCBN)
- *AVFC54-12BT-31-LLPCBN Logs Light PCB (FP26-1A-LLPCBN)
- *AVFC54-12BT-32-EBLPCBN Ember Bed Light PCB (FP26-1A-EBLPCBN)
- *AVFC54-12BT-33-FLPCBN Flame Light PCB (FP26-1A-FLPCBN)
- *AVFC54-12BT-34-FIGF Fireplace Insert Glass with Frame (FP26-1A-FIGF)
- *AVFC54-12BT-35-EBLN Ember Bed/Logs (FP26-1A-EBLN)
- *AVFC54-12BT-36-T Thermostat (FP26-1A-T)

