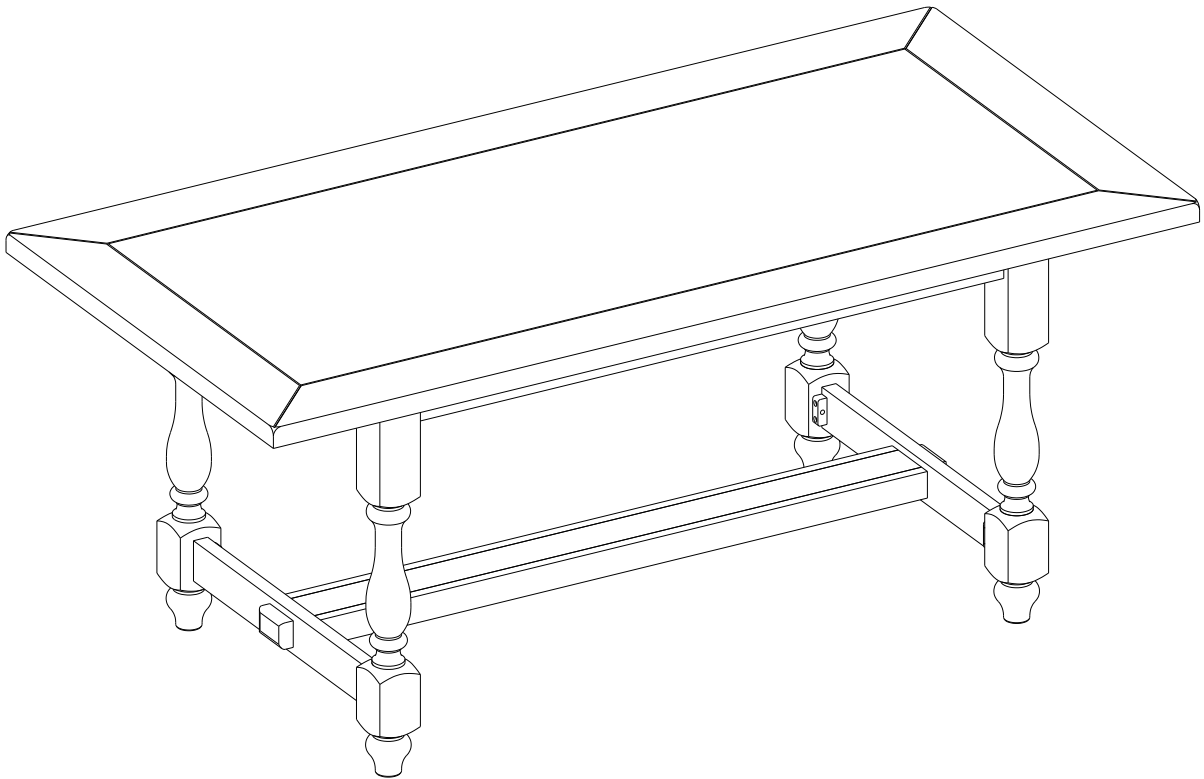


Providence Table

Stock # BH15-084-299-01



ADULT ASSEMBLY REQUIRED

If you have any questions regarding assembly or if parts are missing, DO NOT return this item to the store where it was purchased. Please call our customer service number and have your instructions and parts list ready to provide the model name, part name or factory number:

1-866-942-5362

Pacific Standard Time: 8:30 a.m. - 4:30 p.m., Monday - Friday

Or visit our web site 24 hours a day, 7 days a week for product assistance at

www.whalenstyle.com

Or e-mail your request to **parts@whalenfurniture.com**

**THIS INSTRUCTION BOOKLET CONTAINS IMPORTANT SAFETY INFORMATION.
PLEASE READ AND KEEP FOR FUTURE REFERENCE.**

QUALITY GUARANTEE

We are confident that you will be delighted with your Whalen Furniture purchase.

Should this product be defective in workmanship or materials or fail under normal use, we will repair or replace it for up to one (1) year from date of purchase. Every Whalen Furniture product is designed to meet your highest expectations. We guarantee that you will immediately see the value of our fine furniture.

This warranty gives you specific legal rights and you may also have other rights which vary from State to State.

Customer Service: 1-866-942-5362
8:30 a.m. - 4:30 p.m., PST, Monday to Friday
www.whalenstyle.com

MAXIMUM RECOMMENDED WEIGHT LOADS

1. Maximum load weight 181.4 kg / 400 pounds



WARNING THIS UNIT IS INTENDED ONLY FOR USE WITHIN THE MAXIMUM WEIGHTS INDICATED. USE WITH LOAD HEAVIER THAN THE MAXIMUM WEIGHTS INDICATED MAY RESULT IN INSTABILITY, CAUSING POSSIBLE INJURY.

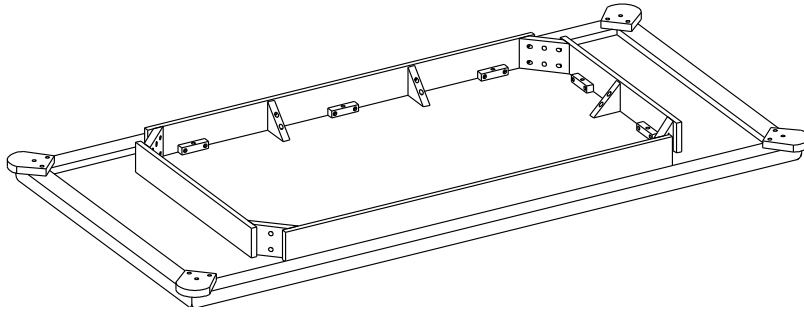
GENERAL INFORMATION, TIPS & TRICKS

1. Please read the Assembly Instructions prior to assembling the unit.
2. To avoid damage, assemble the unit on a sturdy, level and non-abrasive surface.
3. Keep all hardware and parts out of the reach of children.
4. Please wait until all steps are completed before fully tightening bolts.
5. Make sure all nuts, bolts and screws are tightly fastened before the unit is used.
6. Check that all bolts and screws are tight at least every 3 months or as needed.

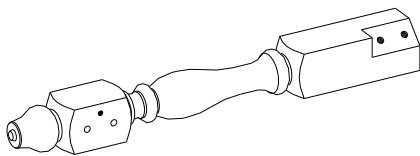
Please call for replacement parts or assistance: 1-866-942-5362

Parts and Hardware List

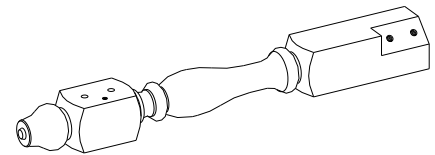
Please read completely through the instructions and verify that all listed parts and hardware are present before beginning assembly.



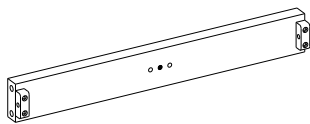
A- Table Top (1)



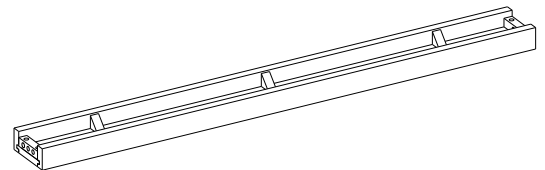
B- Left Front/Right Back Leg (2)



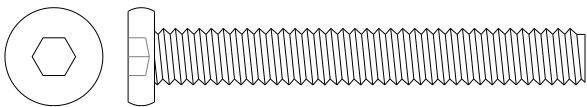
C- Right Front/Left Back Leg (2)



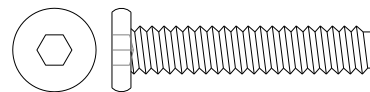
D- Side Stretcher (2)



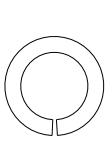
E- Center Stretcher (1)



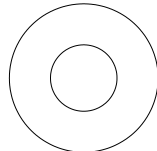
(1) Ø5/16" x 2-1/4" Bolt (8+1 extra)



(2) Ø1/4" x 1-1/4" Bolt (6+1 extra)



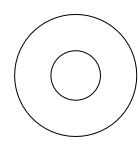
(3) Large Lock Washer (8+1 extra)



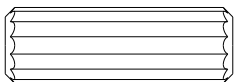
(4) Large Flat Washer (8+1 extra)



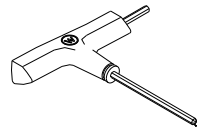
(5) Small Lock Washer (6+1 extra)



(6) Small Flat Washer (6+1 extra)



(7) M10 x 30 mm Wood Dowel (12+1 extra)



T-handle Allen Wrench (1)



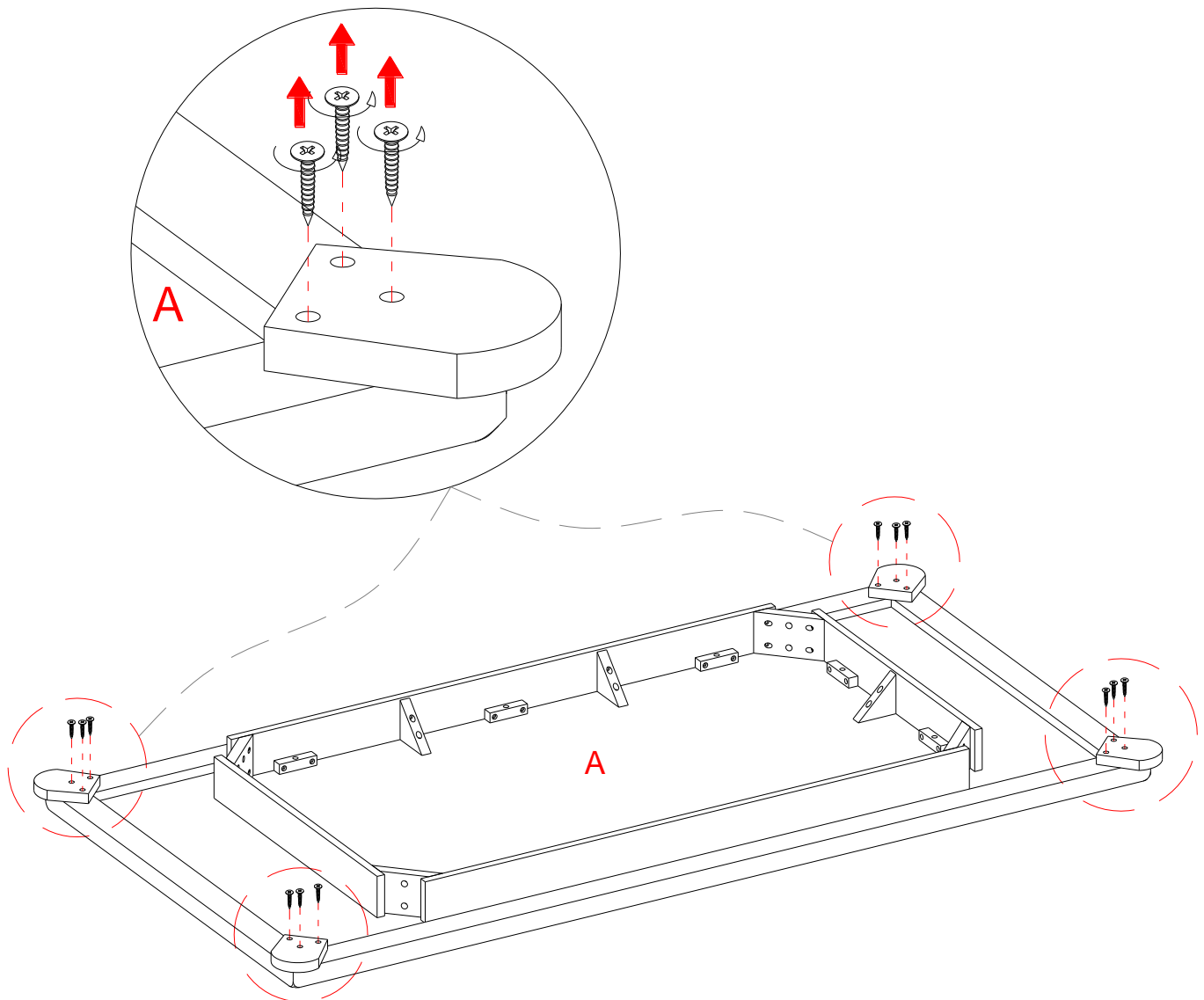
Touch-up Pen (1)

Tools required: Allen wrench (provided) and Phillips screwdriver (not provided).

Please call for replacement parts or assistance: 1-866-942-5362

Whalen Furniture Manufacturing

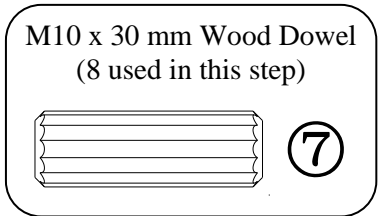
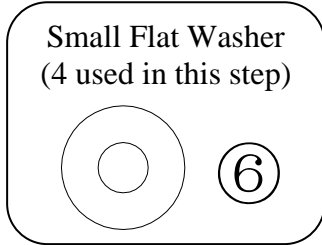
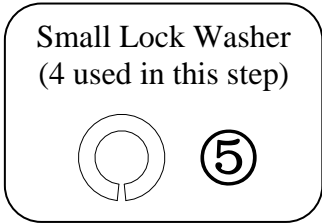
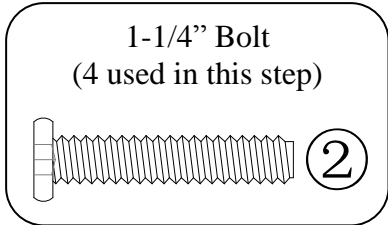
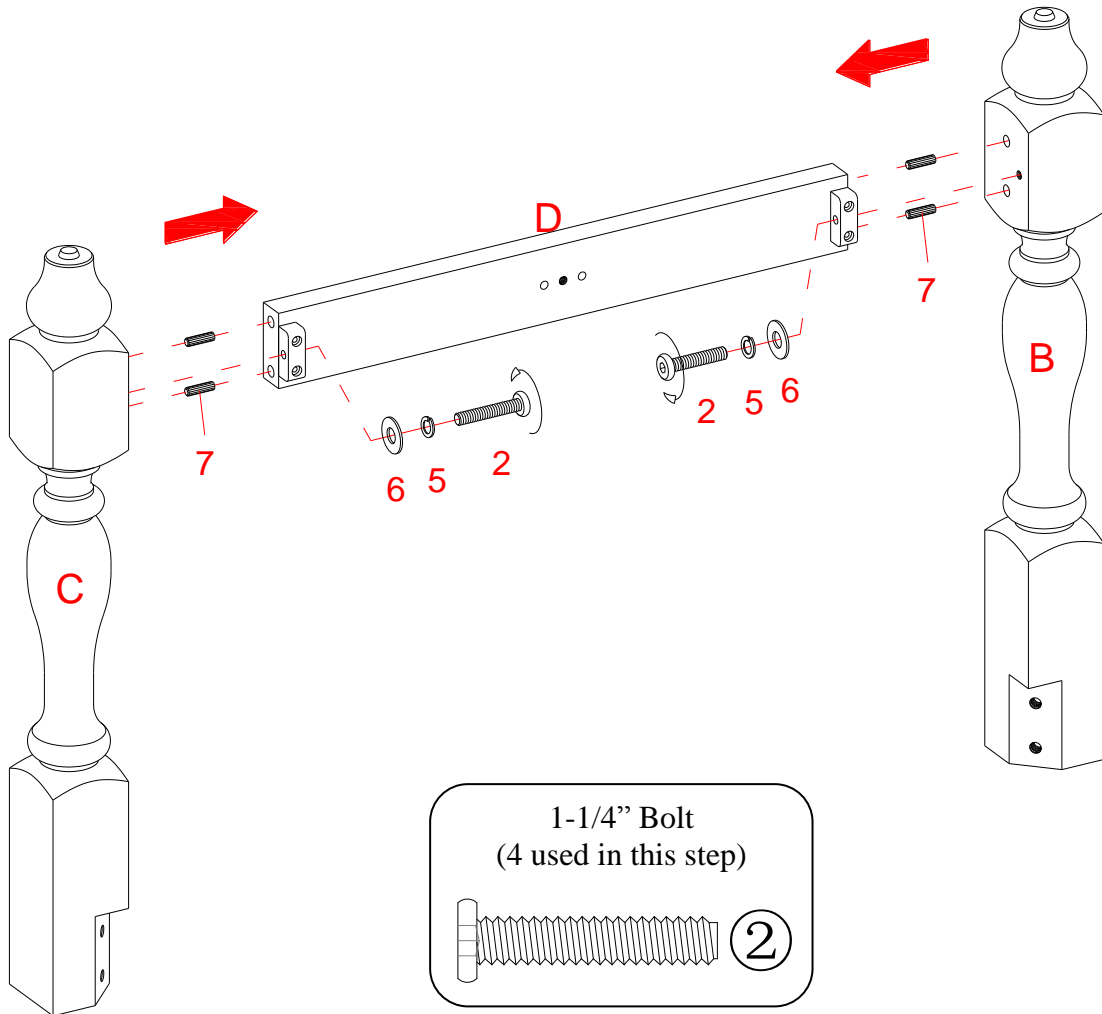
Assembly Instructions



1. Unpack the unit and confirm that you have all the hardware and required parts. Assemble the unit on a carpeted floor or the empty carton to avoid any scratch.
2. Place the Table Top (A) upside down on a level and protective surface, as shown above. Remove the additional wood blocks attached at the corners by unscrewing the wood screws. These are used for shipping purposes only. After removing them, please discard.

Please call for replacement parts or assistance: 1-866-942-5362

Assembly Instructions



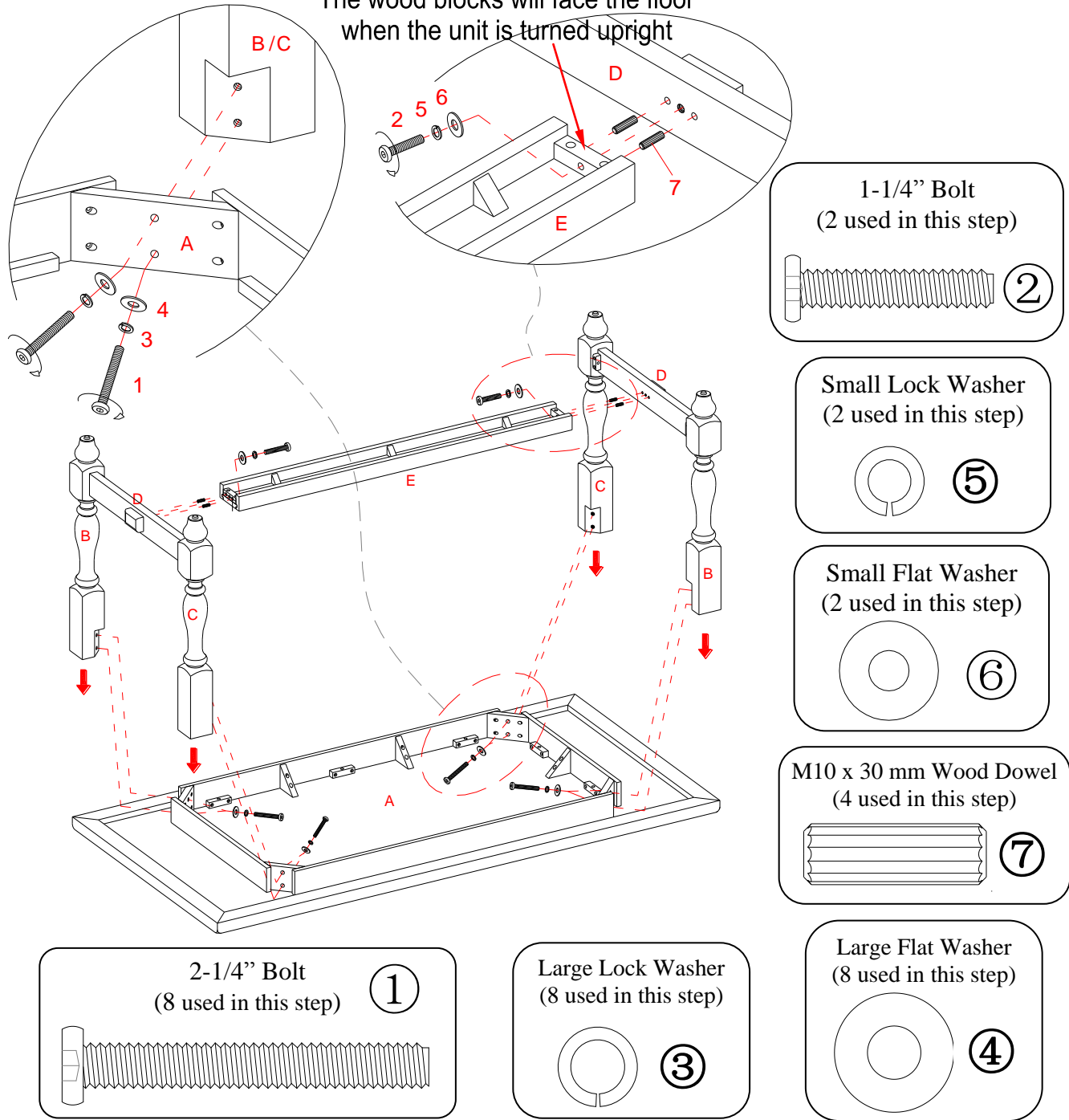
⚠ WARNING

DO NOT fully tighten the bolts or nuts initially until all the bolts or nuts are ready to assemble. To avoid causing damages to the thread, DO NOT over-tighten the nuts or bolts.

3. Insert four M10 x 30 mm Wood Dowels (7) into the drilled holes of one Side Stretcher (D) at both ends and attach it between the Left Front and Back Legs (B and C) by inserting two 1-1/4" Bolts (2) with Small Lock Washers (5) and Small Flat Washers (6) through the cleat holes and securely screw into the Legs. As shown above.
4. Repeat the same procedure to form the right leg assembly.

Assembly Instructions

The wood blocks will face the floor when the unit is turned upright



5. Insert four M10 x 30 mm Wood Dowels (7) into the drilled holes on the Center Stretcher (E) at both ends and attach it between two assembled Side Stretchers (D) by using two 1-1/4" Bolts (2) and two Small Washers (5 and 6). As shown above.
6. Position last assembly onto the apron corners of Table Top (A) and attach them in place, using the 2-1/4" Bolts (1) with the Large Washers (3 and 4) through the drilled holes on corner blocks and screw into the threaded inserts on the Legs (B and C). Tightly fasten all bolts with the enclosed Allen wrench.
7. Ask for assistance to lift the unit upright and position it at the desired location.

Please call for replacement parts or assistance: 1-866-942-5362

Care and Maintenance

- Use a soft, clean cloth that will not scratch the surface when dusting.
- Use of furniture polish is not necessary. Should you choose to use polish, test first in an inconspicuous area.
- Using solvents of any kind on your furniture may damage your furniture's finish.
- Never use water to clean your furniture as it may cause damage to the finish.
- Always use coasters under beverage glasses and flowerpots.
- Liquid spills should be removed immediately. Using a soft clean cloth, blot the spill gently. Avoid rubbing.
- Always use protective pads under hot dishes and plates. Heat can cause chemical changes that may create spotting within the furniture finish.
- Stains or marks from crayons or ink markers will be difficult to remove.
- In the event that your furniture is stained or otherwise damaged during use, we recommend that you call a professional to repair your furniture.
- Check bolts/screws periodically and tighten them if necessary.

Further advice about wood furniture care

It is best to keep your furniture in a climate-controlled environment. Extreme temperature and humidity changes can cause fading, warping, shrinking and splitting of wood. It is advised to keep furniture away from direct sunlight as sun may damage the finish.

Proper care and cleaning at home will extend the life of your purchase. Following these important and helpful tips will enhance your furniture as it ages.

A touch-up pen has been provided to repair any small nicks or scratches that may occur during assembly or shipping.

We hope you enjoy your purchase for many years.
Thank you for your purchase!

**Better
Homes
and Gardens.**

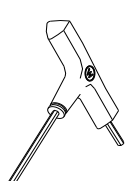
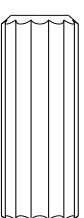
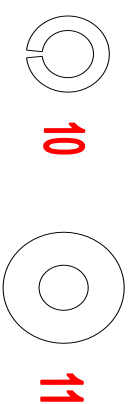
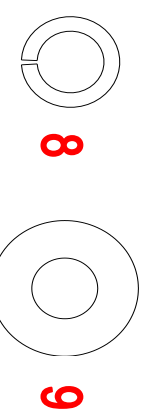
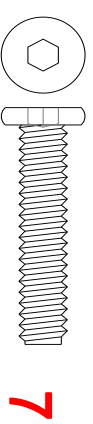
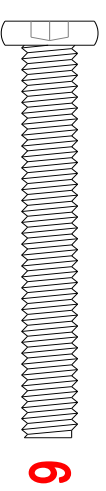
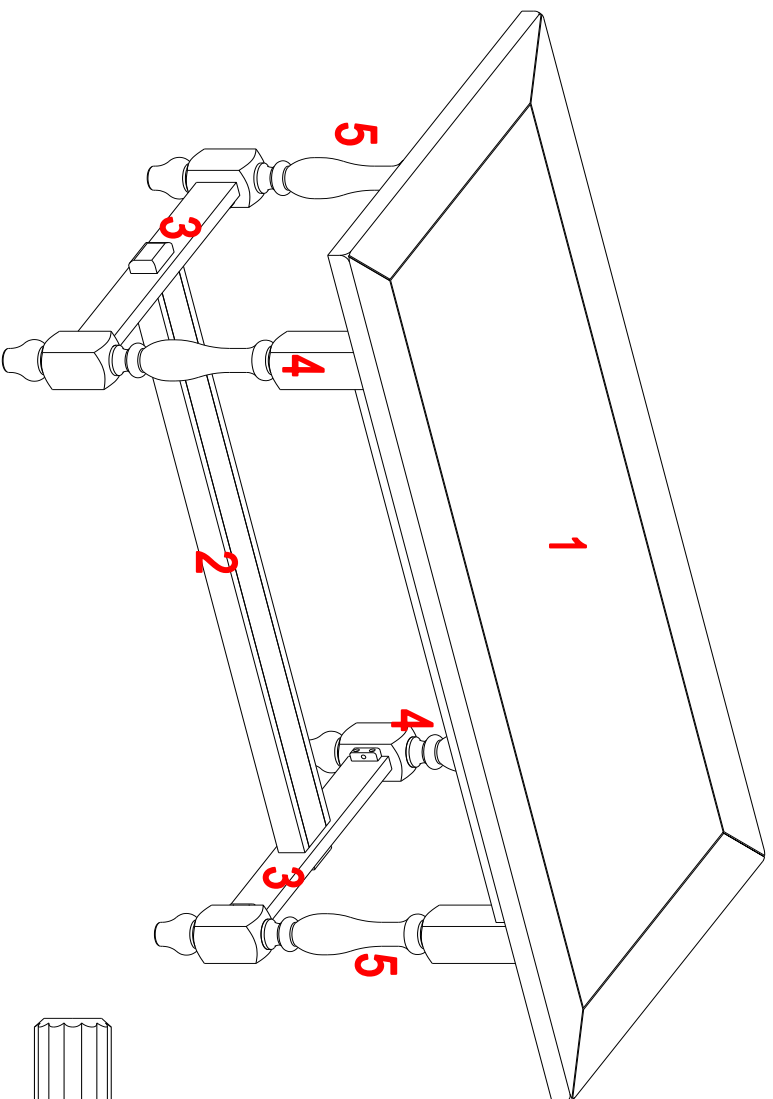
Please call for replacement parts or assistance: 1-866-942-5362

Whalen Furniture Manufacturing

Page 7

Factory No. 17137

**IF YOU NEED TO ORDER ANY REPLACEMENT PARTS, PLEASE USE THE LIST BELOW
 Providence Table (BH15-084-299-01)**



*BH15-084-299-01-1-TT	Table Top	*BH15-084-299-01-8-LLW	Large Lock Washer
*BH15-084-299-01-2-CS	Center Stretcher	*BH15-084-299-01-9-LFW	Large Flat Washer
*BH15-084-299-01-3-SS	Side Stretcher	*BH15-084-299-01-10-SLW	Small Lock Washer
*BH15-084-299-01-4-LFRBL	Left Front/Right Back Leg	*BH15-084-299-01-11-SFW	Small Flat Washer
*BH15-084-299-01-5-RFLBL	Right Front/Left Back Leg	*BH15-084-299-01-12-M10x30WD	M10 x 30 mm Wood Dowel
*BH15-084-299-01-6-2 1/4B	Ø5/16" x 2-1/4" Bolt	*BH15-084-299-01-13-THAW	T-handle Allen Wrench
*BH15-084-299-01-7-1 1/4B	Ø1/4" x 1-1/4" Bolt	*BH15-084-299-01-14-TUP	Touch-up Pen
*BH15-084-299-01-CH	Complete Hardware		