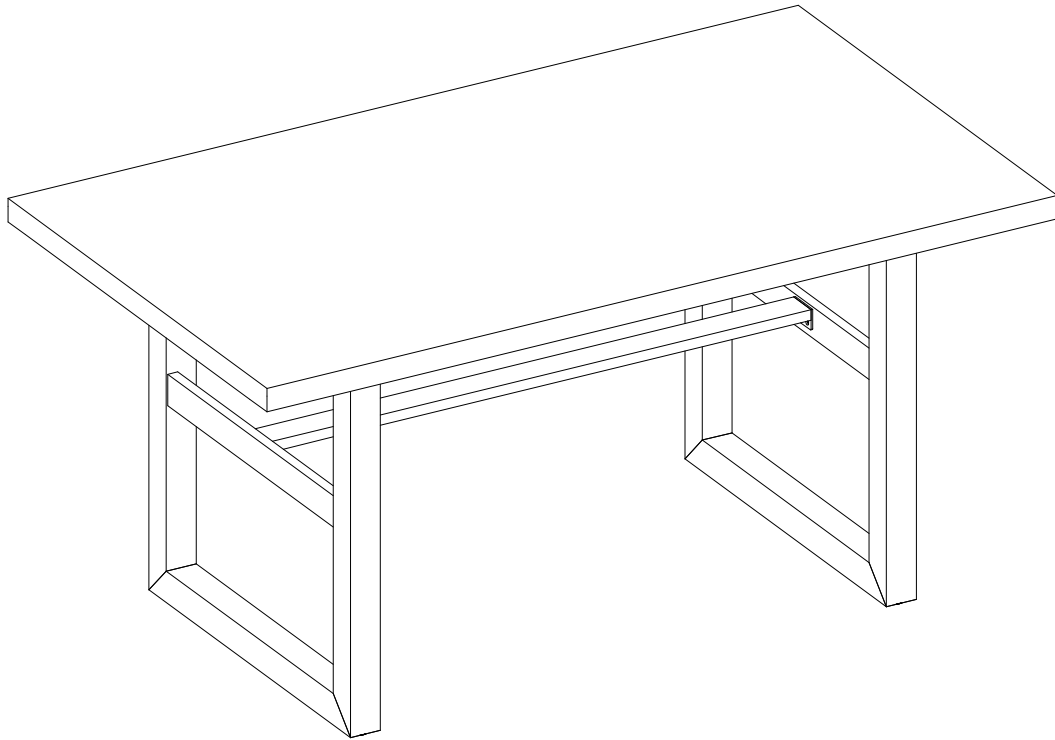


Mercer Dining Table

Stock # BH15-084-299-03



ADULT ASSEMBLY REQUIRED

If you have any questions regarding assembly or if parts are missing, **DO NOT** return this item to the store where it was purchased. Please call our customer service number and have your instructions and parts list ready to provide the model name, part name or factory number:

1-866-942-5362

Pacific Standard Time: 8:30 a.m. - 4:30 p.m., Monday - Friday

Or visit our web site 24 hours a day, 7 days a week for product assistance at

www.whalenstyle.com

Or e-mail your request to **parts@whalenfurniture.com**

**THIS INSTRUCTION BOOKLET CONTAINS IMPORTANT SAFETY INFORMATION.
PLEASE READ AND KEEP FOR FUTURE REFERENCE.**

QUALITY GUARANTEE

We are confident that you will be delighted with your Whalen Furniture purchase.

Should this product be defective in workmanship or materials or fail under normal use, we will repair or replace it for up to one (1) year from date of purchase. Every Whalen Furniture product is designed to meet your highest expectations. We guarantee that you will immediately see the value of our fine furniture.

This warranty gives you specific legal rights and you may also have other rights which vary from State to State.

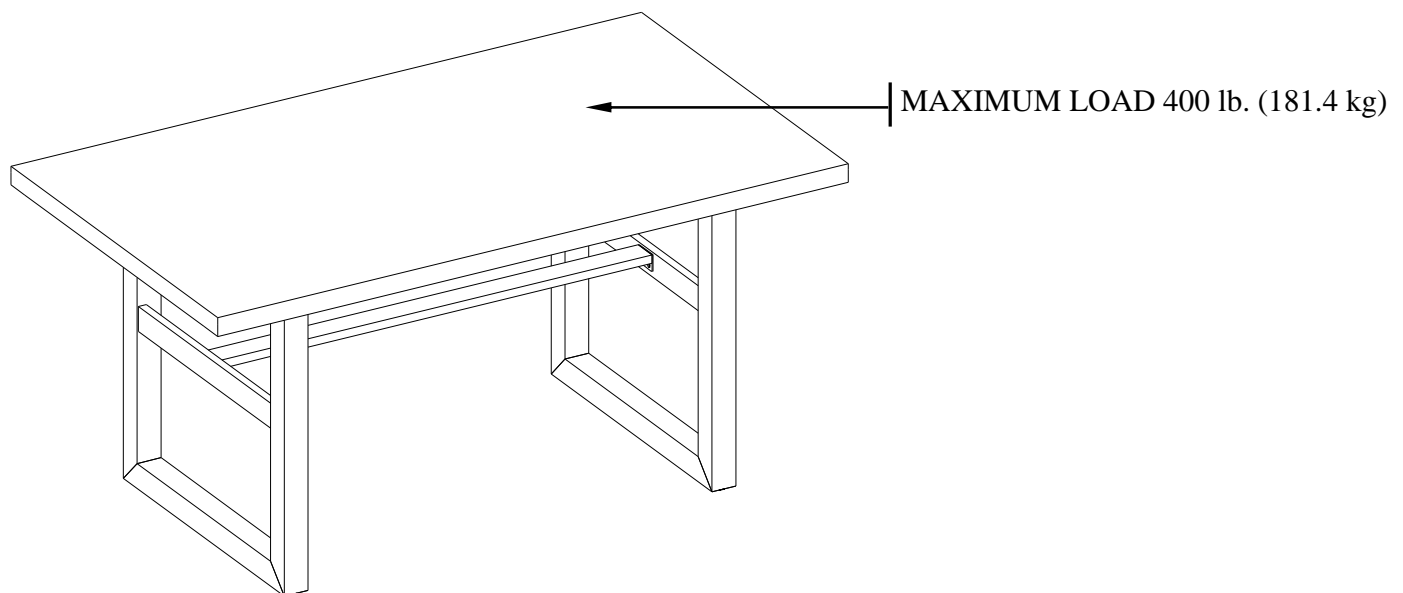
Customer Service: 1-866-942-5362

8:30 a.m. - 4:30 p.m., PST, Monday to Friday

www.whalenstyle.com

MAXIMUM RECOMMENDED WEIGHT LOADS

MANUFACTURER: Whalen Furniture Manufacturing
CATALOG: Mercer Dining Table (BH15-084-299-03)
MADE IN CHINA



⚠ WARNING THIS UNIT IS INTENDED ONLY FOR USE WITHIN THE MAXIMUM WEIGHTS INDICATED. USE WITH LOADS HEAVIER THAN THE MAXIMUM WEIGHTS INDICATED MAY RESULT IN INSTABILITY, CAUSING POSSIBLE INJURY.

Please call for replacement parts or assistance: 1-866-942-5362

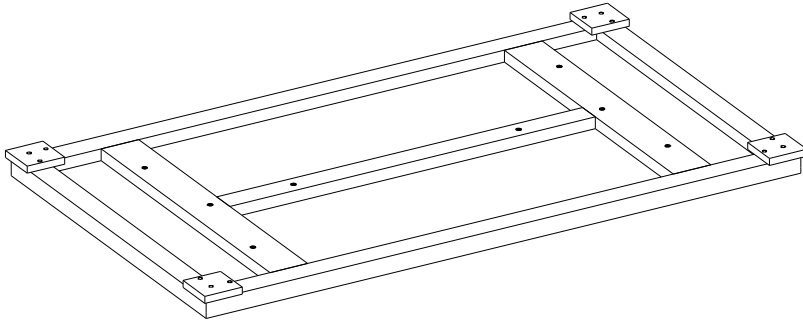
Whalen Furniture Manufacturing

Page 2

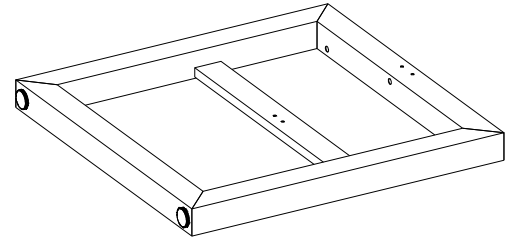
Factory No. 16434

Parts and Hardware List

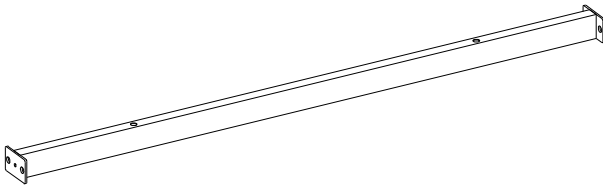
Please read completely through the instructions and verify that all listed parts and hardware are present before beginning assembly.



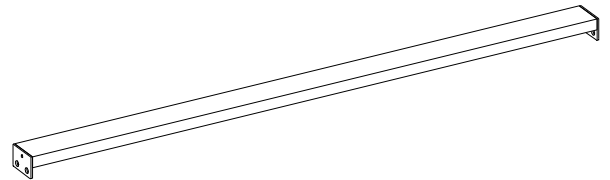
A- Table Top (1)



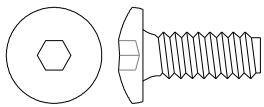
B- Leg (2)



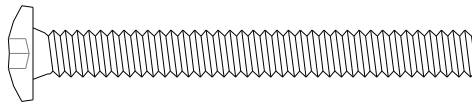
C- Top Stretcher (1)



D- Bottom Stretcher (1)



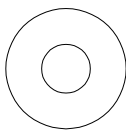
(1) Ø1/4" x 5/8" Bolt
(8+1 extra)



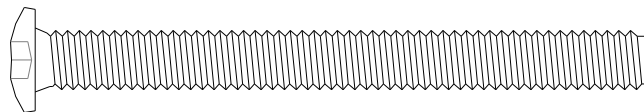
(2) Ø1/4" x 2-3/8" Bolt
(2+1 extra)



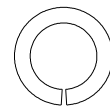
(3) Small Lock Washer
(10+1 extra)



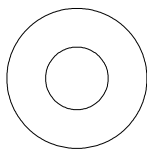
(4) Small Flat Washer
(10+1 extra)



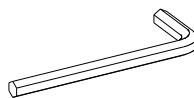
(5) Ø5/16" x 3-1/4" Bolt
(6+1 extra)



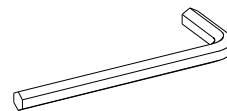
(6) Large Lock Washer
(6+1 extra)



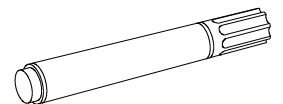
(7) Large Flat Washer (6+1 extra)



4 mm Allen Wrench (1)



5 mm Allen Wrench (1)



Touch-up Pen (1)

Tools required: Allen wrench (provided) and Phillips screwdriver (not provided).

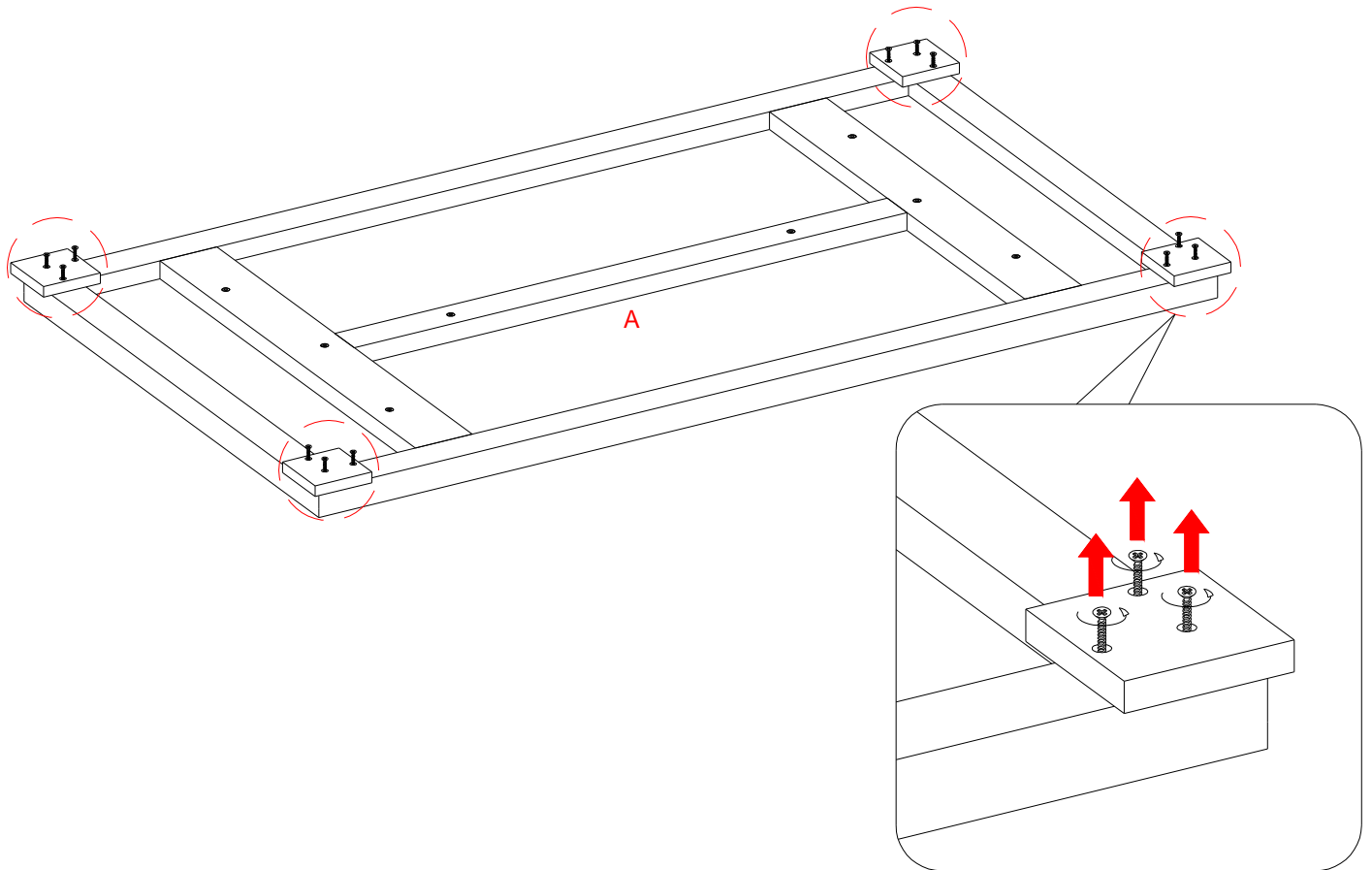
Please call for replacement parts or assistance: 1-866-942-5362

Whalen Furniture Manufacturing

Page 3

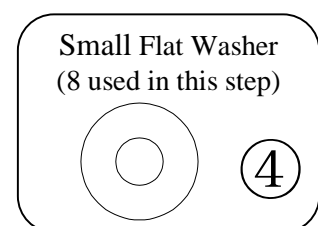
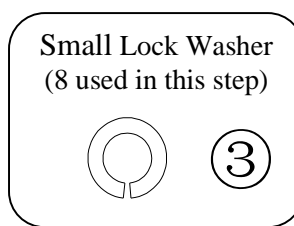
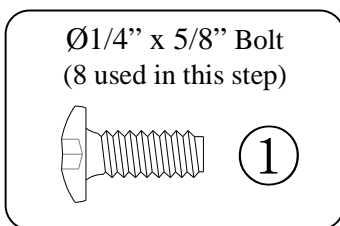
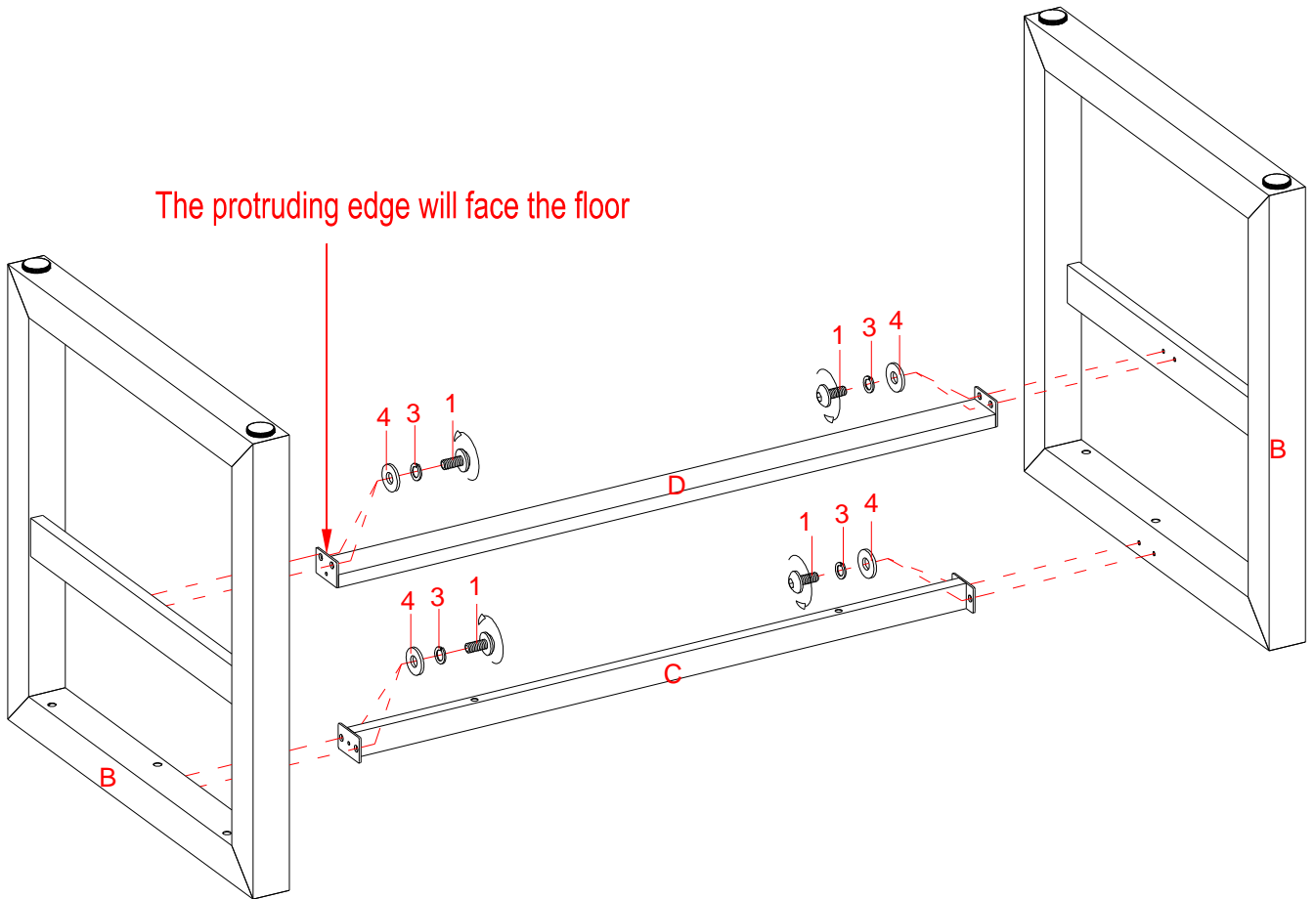
Factory No. 16434

Assembly Instructions



1. Unpack the unit and confirm that you have all the hardware and required parts.
2. Position the Table Top (A) upside down on a level and protective surface, as shown above.
3. Remove the additional wood blocks attached at the corners by unscrewing the wood screws. These are used for shipping purposes only. After removing them, please discard.

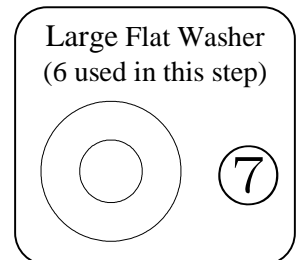
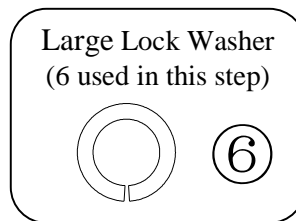
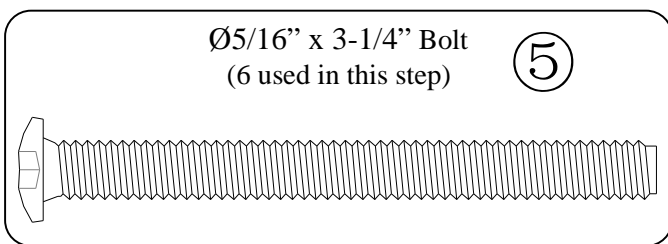
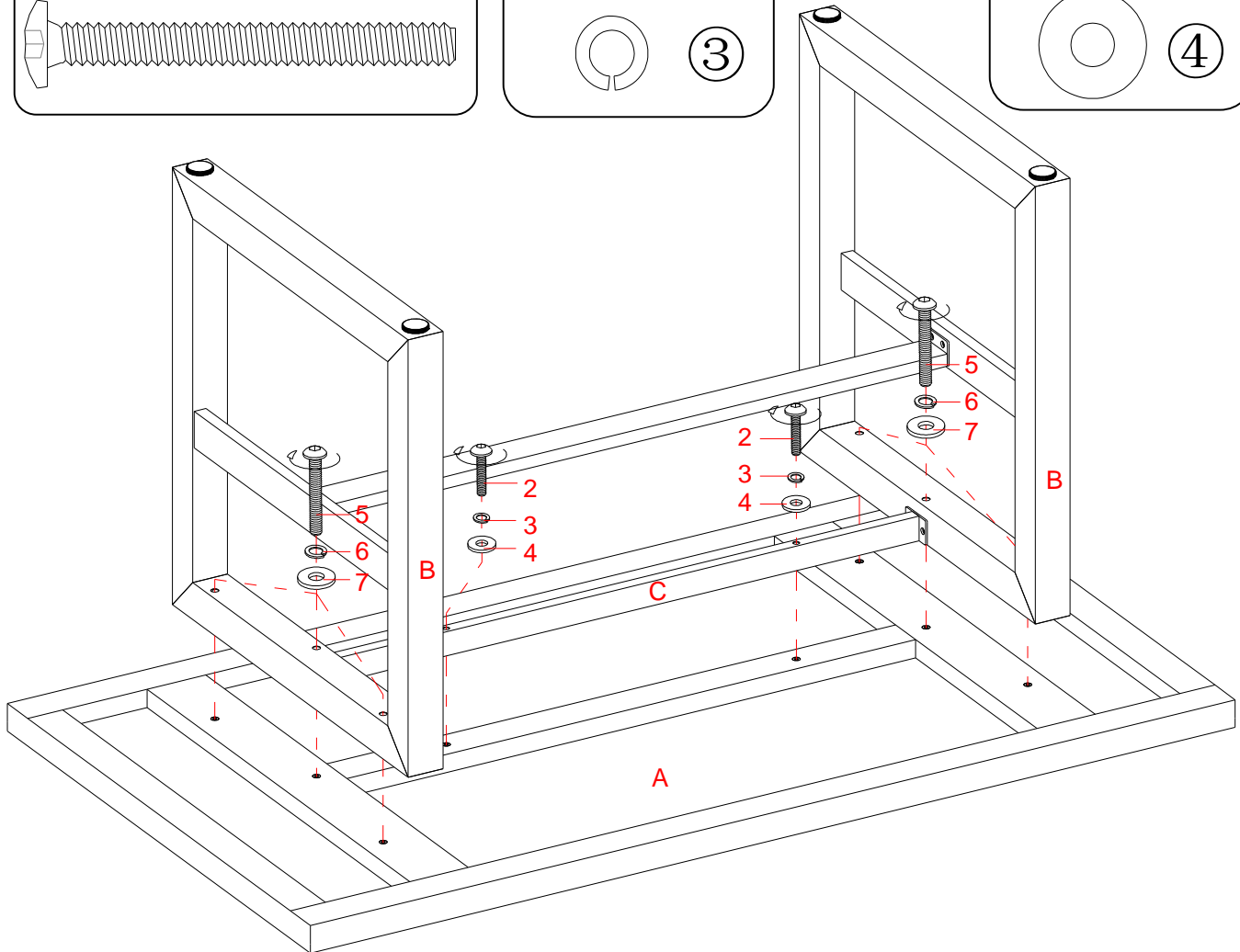
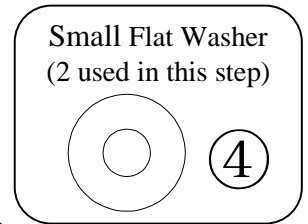
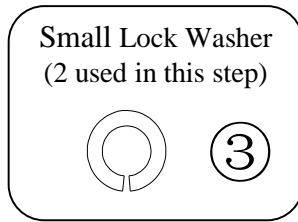
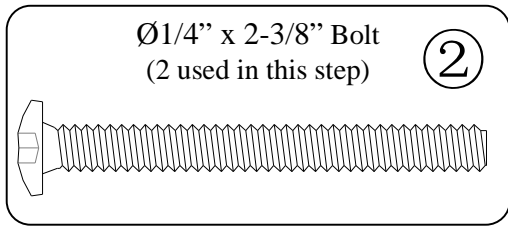
Assembly Instructions



NOTE: Please do not fully tighten all bolts until you finish assembling all parts. Once assembled, go back and fully tighten all bolts. This will make the assembly easier.

4. Align and attach the Top and Bottom Stretchers (C and D) between two Legs (B) by using eight 5/8" Bolts (1) with the Small Lock Washers (3) and Flat Washers (4) through the end brackets and screw into the threaded sockets on legs.

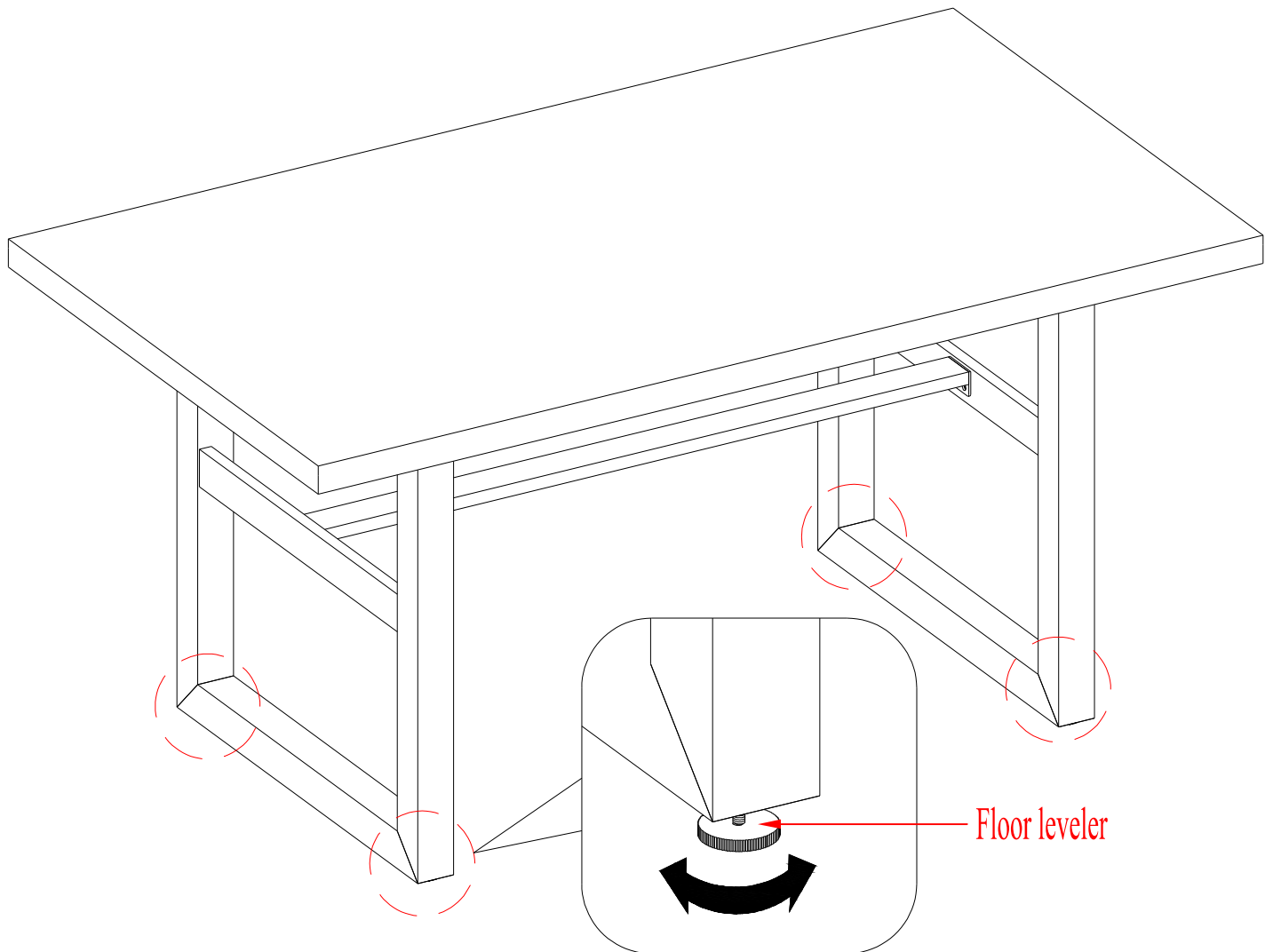
Assembly Instructions



5. Position last assembly onto the sub-top of Table Top (A). Insert and screw two 2-3/8" Bolts (2) with the Small Washers (3 and 4) through the drilled holes on Top Stretcher (C) and screw into the threaded inserts on Table Top (A).
6. Secure the top rail of the Legs (B) to the Top Panel (A) by using six 3-1/4" Bolts (5) and six Large Washers (6 and 7) as shown.

Please call for replacement parts or assistance: 1-866-942-5362

Assembly Instructions



7. Go back and tighten all bolts with the enclosed Allen wrench. Ask for assistance to lift the assembled table upright and position it at the desired location.
8. If necessary, adjust the pre-attached floor levelers at the bottom of Legs (B) to level the unit.

Please call for replacement parts or assistance: 1-866-942-5362

Whalen Furniture Manufacturing

Page 7

Factory No. 16434

Care and Maintenance

- Use a soft, clean cloth that will not scratch the surface when dusting.
- Use of furniture polish is not necessary. Should you choose to use polish, test first in an inconspicuous area.
- Using solvents of any kind on your furniture may damage your furniture's finish.
- Never use water to clean your furniture as it may cause damage to the finish.
- Always use coasters under beverage glasses and flowerpots.
- Liquid spills should be removed immediately. Using a soft clean cloth, blot the spill gently. Avoid rubbing.
- Always use protective pads under hot dishes and plates. Heat can cause chemical changes that may create spotting within the furniture finish.
- Stains or marks from crayons or ink markers will be difficult to remove.
- In the event that your furniture is stained or otherwise damaged during use, we recommend that you call a professional to repair your furniture.
- Check bolts/screws periodically and tighten them if necessary.

Further advice about wood furniture care

It is best to keep your furniture in a climate-controlled environment. Extreme temperature and humidity changes can cause fading, warping, shrinking and splitting of wood. It is advised to keep furniture away from direct sunlight as sun may damage the finish.

Proper care and cleaning at home will extend the life of your purchase. Following these important and helpful tips will enhance your furniture as it ages.

A Touch-up Pen has been provided to repair any small nicks or scratches that may occur during assembly or shipping.

We hope you enjoy your purchase for many years.
Thank you for your purchase!

**Better
Homes
and Gardens.**

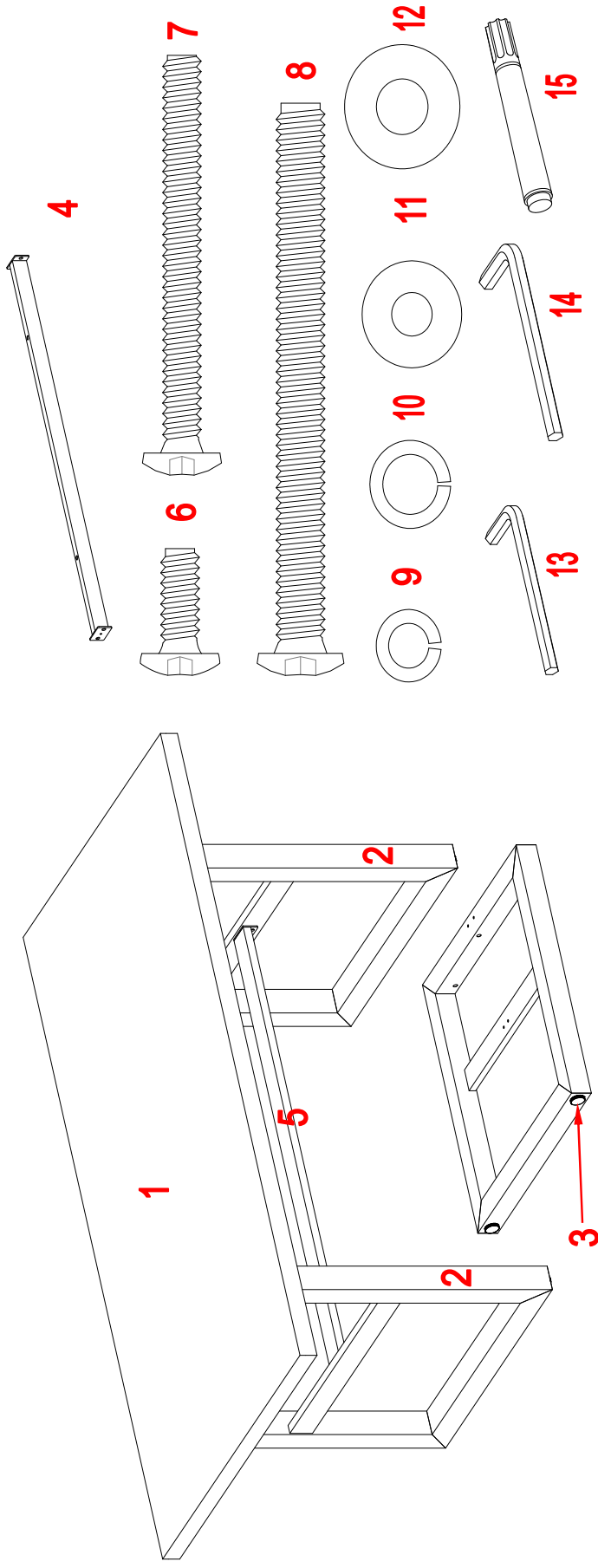
Please call for replacement parts or assistance: 1-866-942-5362

Whalen Furniture Manufacturing

Page 8

Factory No. 16434

IF YOU NEED TO ORDER ANY REPLACEMENT PARTS, PLEASE USE THE LIST BELOW
Mercer Dining Table (BH15-084-299-03)



*BH15-084-299-03-1-TT	Table Top	*BH15-084-299-03-9-SLW	Small Lock Washer
*BH15-084-299-03-2-L	Leg	*BH15-084-299-03-10-LLW	Large Lock Washer
*BH15-084-299-03-3-FL	Floor Leveler	*BH15-084-299-03-11-SFW	Small Flat Washer
*BH15-084-299-03-4-TS	Top Stretcher	*BH15-084-299-03-12-LFW	Large Flat Washer
*BH15-084-299-03-5-BS	Bottom Stretcher	*BH15-084-299-03-13-M4AW	4 mm Allen Wrench
*BH15-084-299-03-6-5/8B	Ø1/4" x 5/8" Bolt	*BH15-084-299-03-14-M5AW	5 mm Allen Wrench
*BH15-084-299-03-7-2 3/8B	Ø1/4" x 2-3/8" Bolt	*BH15-084-299-03-15-TUP	Touch-up Pen
*BH15-084-299-03-8-3 1/4B	Ø5/16" x 3-1/4" Bolt		Complete Hardware