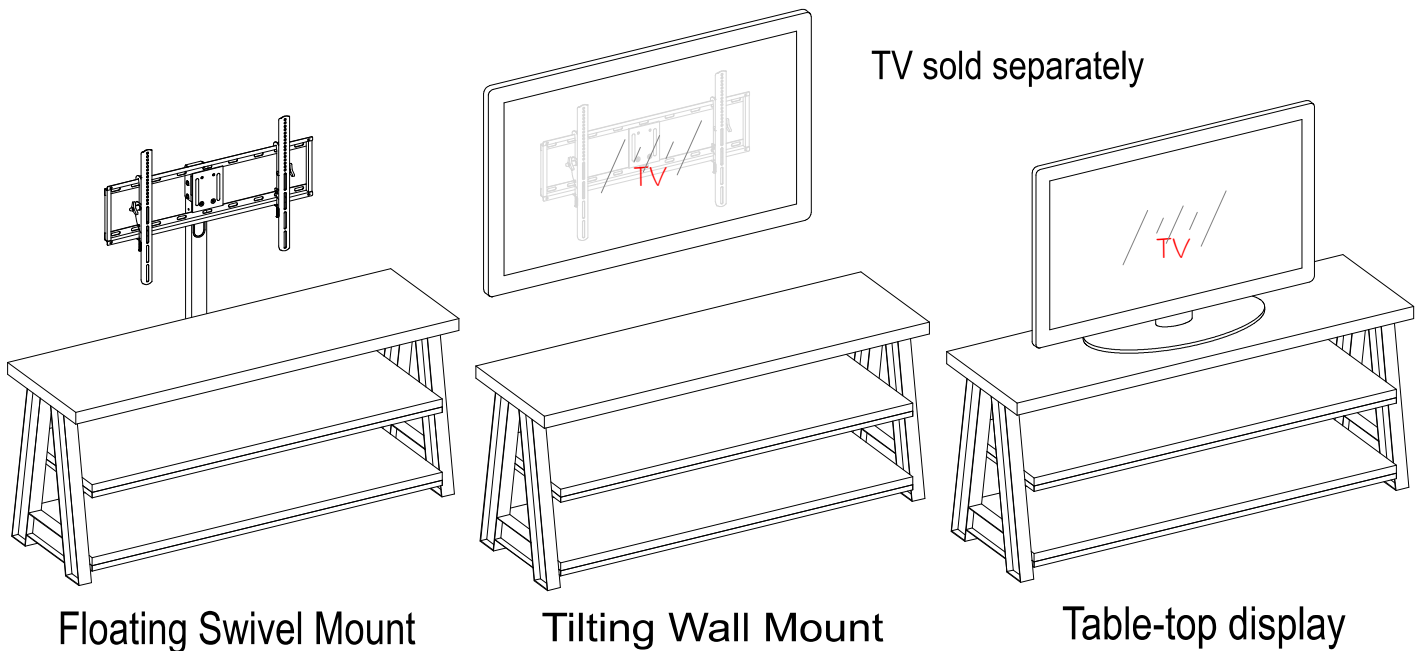


## Mercer 3-in-1™ TV Stand

Stock # BH15-084-899-02  
U.S. Patent 8,622,005

This item is designed to be a 3-in-1 configuration. Please choose the option that best suits your needs. DO NOT discard any of the hardware or parts that you will not use on your chosen option. This will allow you to use this TV Console in different configurations at a later date, if desired.



### ADULT ASSEMBLY REQUIRED

If you have any questions regarding assembly or if parts are missing, DO NOT return this item to the store where it was purchased. Please call our toll-free customer service number and have your instructions and parts list ready to provide the model name, part name or factory number:

1-866-942-5362      8:30 a.m. - 4:30 p.m., PST, Monday - Friday  
ONLINE: [www.whalenstyle.com](http://www.whalenstyle.com)      EMAIL: [parts@whalenfurniture.com](mailto:parts@whalenfurniture.com)



On-line Video Instruction Guides

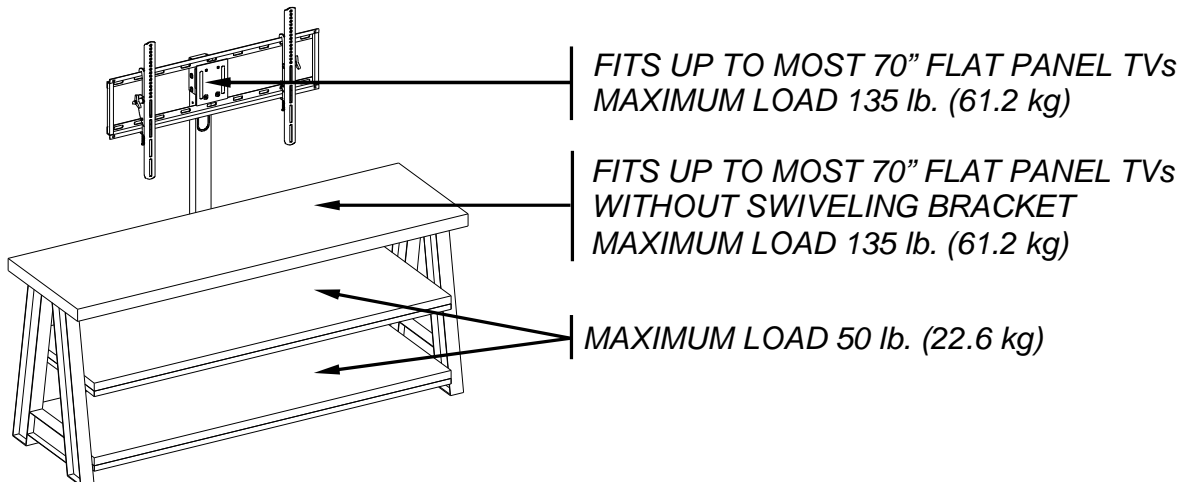
Go to <http://vig.sellpoints.com> to view step-by-step instructional videos for assembling and installing your product. Enter the following product number on the website under Whalen brand.

**BH15-084-899-02**

**THIS INSTRUCTION BOOKLET CONTAINS IMPORTANT SAFETY INFORMATION.  
PLEASE READ AND KEEP FOR FUTURE REFERENCE.**

## MAXIMUM RECOMMENDED WEIGHT LOADS

MANUFACTURER: Whalen Furniture Manufacturing.  
 CATALOG: Mercer 3-in-1™ TV Stand (BH15-084-899-02)  
 DATE OF MANUFACTURE: March 2015  
 MADE IN CHINA



### **⚠ WARNING**

THIS UNIT IS NOT INTENDED FOR USE WITH CRT TVS. USE ONLY WITH FLAT PANEL TVS AND AUDIO/VIDEO EQUIPMENT MEETING RECOMMENDED SIZE AND WEIGHT LIMITS. NEVER USE WITH LARGER/HEAVIER THAN RECOMMENDED FLAT PANEL TVS OR EQUIPMENT. TO AVOID INSTABILITY, PLACE FLAT PANEL TV IN THE CENTRE OF THE UNIT; THE BASE OF THE TELEVISION MUST BE ABLE TO REST ON THE SUPPORTING SURFACE OF THE UNIT WITHOUT OVER-HANGING THE EDGES. IMPROPERLY POSITIONED FLAT PANEL TVS, OR FLAT PANEL TVS OR OTHER EQUIPMENT THAT EXCEED RECOMMENDED SIZE AND WEIGHT LIMITS COULD FALL OFF OR BREAK THE UNIT, CAUSING POSSIBLE SERIOUS INJURY.

## FCC STATEMENT

This device complies with Part 15 of the FCC Rules. Operation is subject to the following two conditions:

- (1) This device may not cause harmful interference, and
- (2) This device must accept any interference received, including interference that may cause undesired operation.

NOTE: This equipment has been tested and found to comply with the limits for a Class B digital device, pursuant to Part 15 of the FCC Rules. These limits are designed to provide reasonable protection against harmful interference in a residential installation. This equipment generates, uses and can radiate radio frequency energy and, if not installed and used in accordance with the instructions, may cause harmful interference to radio communications. However, there is no guarantee that interference will not occur in a particular installation. If this equipment does cause harmful interference to radio or television reception, which can be determined by turning the equipment off and on, the user is encouraged to try to correct the interference by one or more of the following measures:

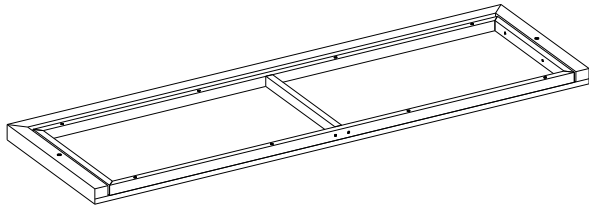
- Reorient or relocate the receiving antenna.
- Increase the separation between the equipment and receiver.
- Connect the equipment into an outlet on a circuit different from that to which the receiver is connected.
- Consult the dealer or an experienced radio/TV technician for help.

Modifications not approved by the party responsible for compliance could void user's authority to operate the equipment.

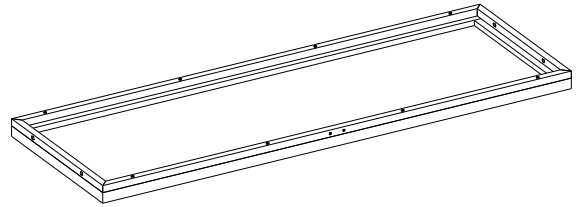
Please call for replacement parts or assistance: **1-866-942-5362**

### Parts and Hardware List

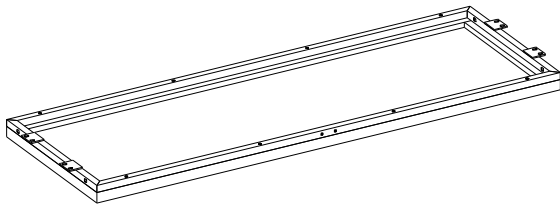
Please read completely through the instructions and verify that all listed parts and hardware are present before beginning assembly.



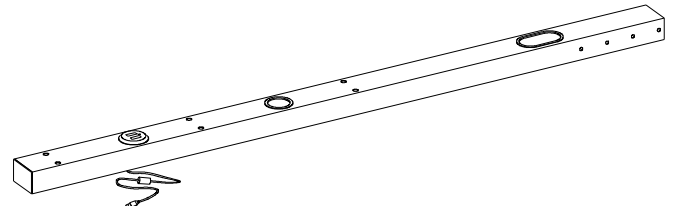
A- Top Panel w/Metal Frame (1)



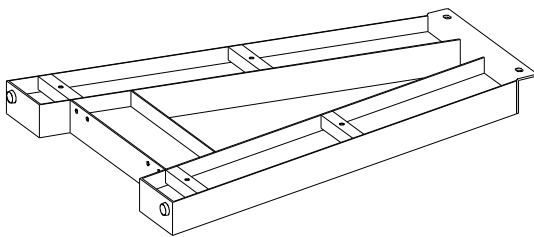
B- Middle Shelf w/Metal Frame (1)



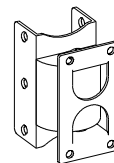
C- Bottom Shelf w/Metal Frame (1)



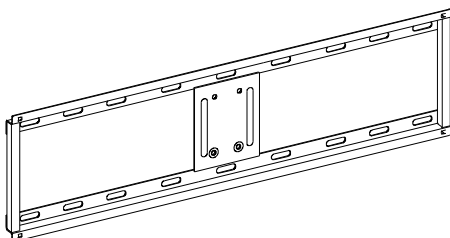
D- Spine with USB Hub (1)



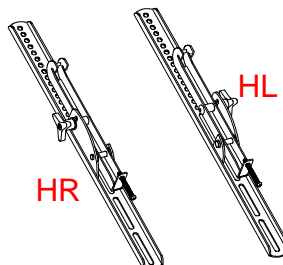
E- Leg (2)



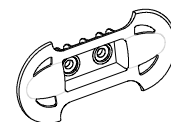
F- Swiveling Bracket (1)



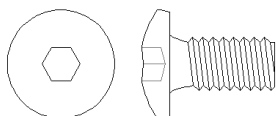
G- Mounting Frame (1)



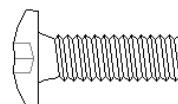
H- Monitor Bracket (2)



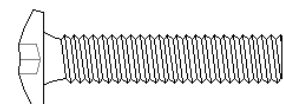
I- Cable Wheel (3)



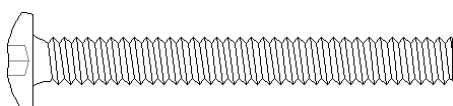
(1) 1/2" Bolt  
(4+1 extra)



(2) 3/4" Bolt  
(26+1 extra)



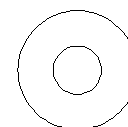
(3) 1-1/4" Bolt  
(8+1 extra)



(4) 2-1/4" Bolt  
(6+1 extra)



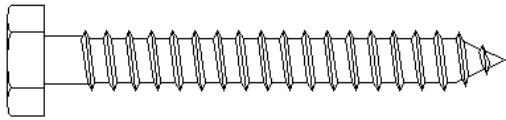
(5) Lock Washer  
(38+1 extra)



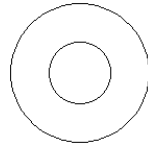
(6) Flat Washer  
(38+1 extra)

## Parts and Hardware List

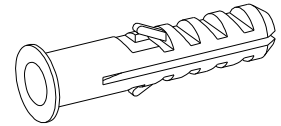
Please read completely through the instructions and verify that all listed parts and hardware are present before beginning assembly.



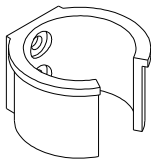
(7) 2-1/2" Lag Bolt (4)



(8) Large Flat Washer (4+1 extra)



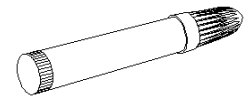
(9) Concrete Anchor (4)



(10) Plastic Clip (1)



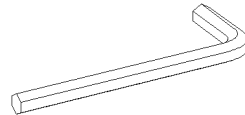
(11) 5/8" Wood Screw (2)



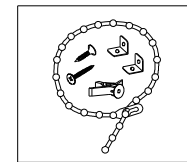
Touch-up Pen (1)



M4 Allen Wrench (2)

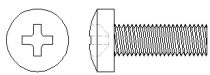


3/16" Allen Wrench (1)

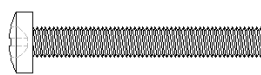


Tipping Restraint Hardware Kit (1)  
(Inside Plastic Bag)

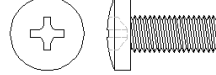
### TV Mounting Kit



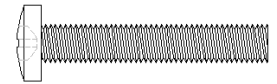
M4 x 12 Bolt (4)



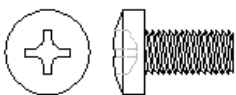
M4 x 30 Bolt (4)



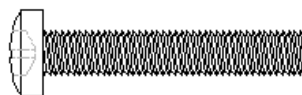
M5 x 12 Bolt (4)



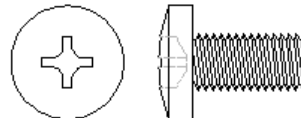
M5 x 30 Bolt (4)



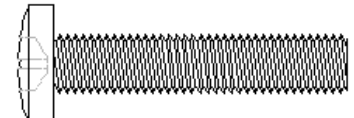
M6 x 12 Bolt (4)



M6 x 35 Bolt (4)



M8 x 16 Bolt (4)



M8 x 40 Bolt (4)



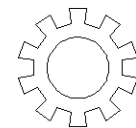
M4 Lock Washer (4)



M5 Lock Washer (4)



M6 Lock Washer (4)



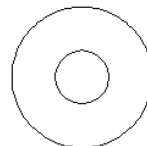
M8 Lock Washer (4)



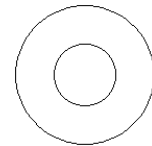
Large Spacer (4)



Small Spacer (4)



M4/M5 Flat Washer (8)

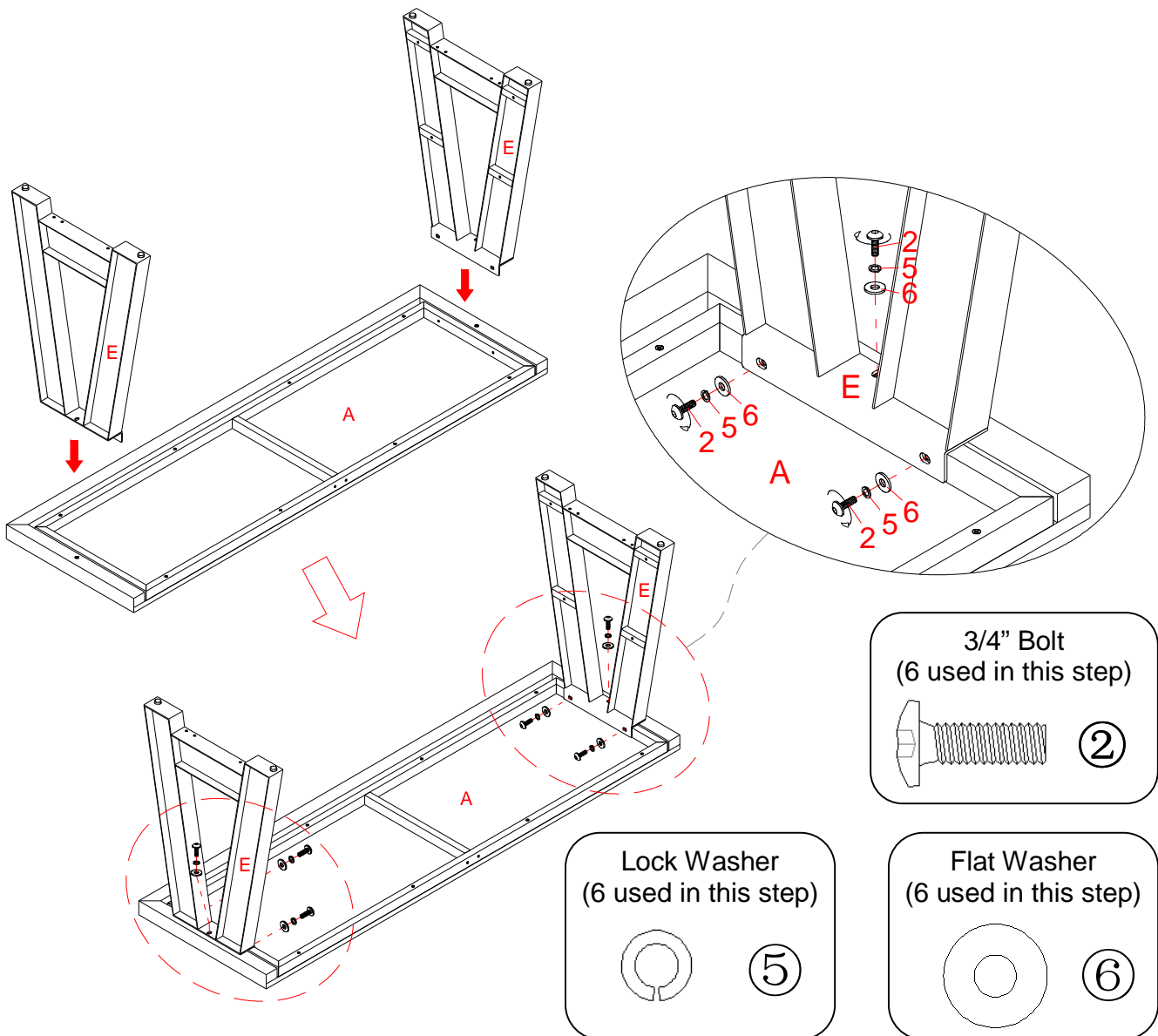


M6/M8 Flat Washer (4)

Tools required: Allen wrench (provided) and Phillips screwdriver (not provided).

Please call for replacement parts or assistance: 1-866-942-5362

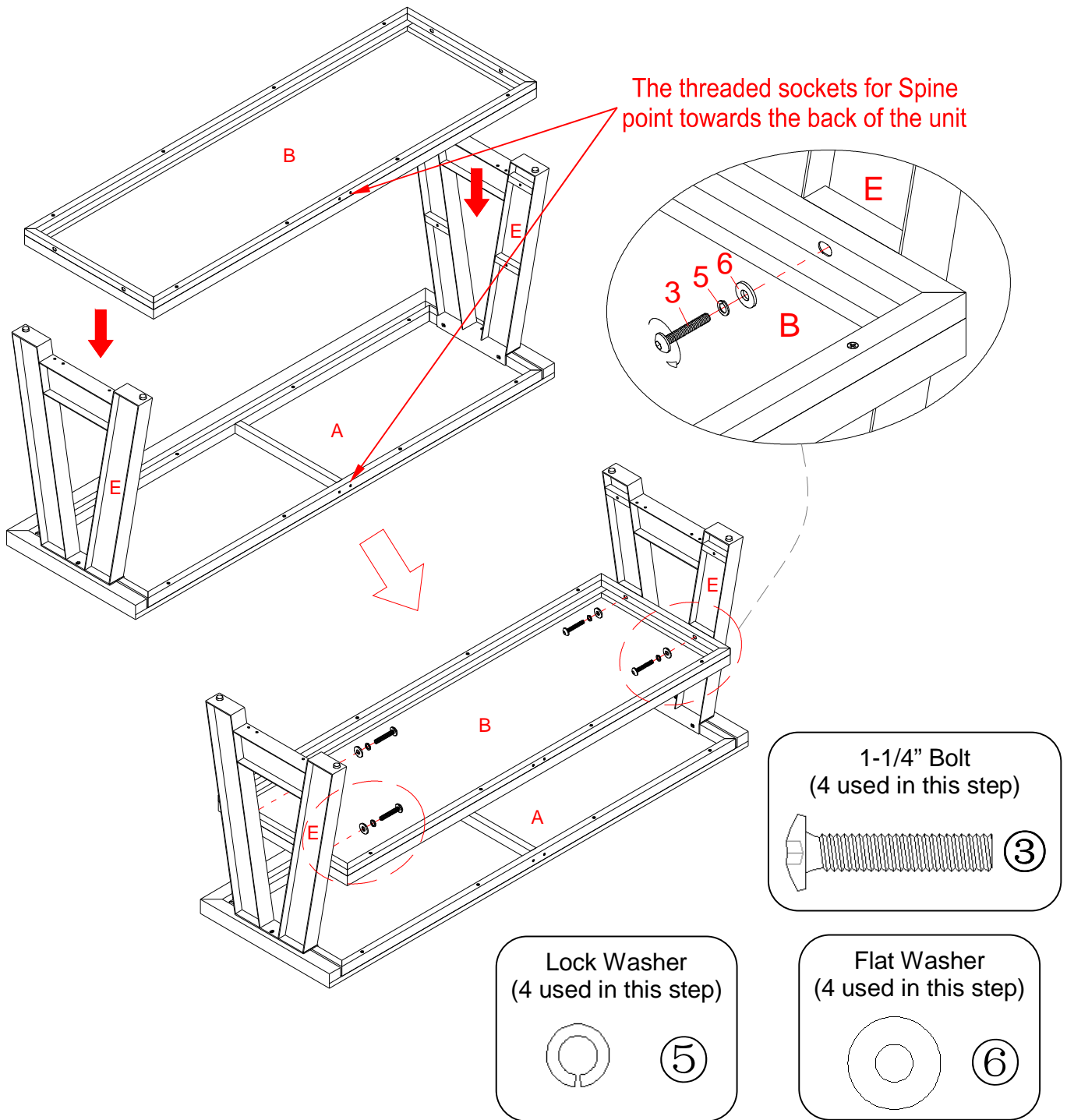
## Assembly Instructions



**NOTE:** Please do not fully tighten all bolts until you finish assembling all parts. Once assembled, go back and fully tighten all bolts. This will make the assembly easier.

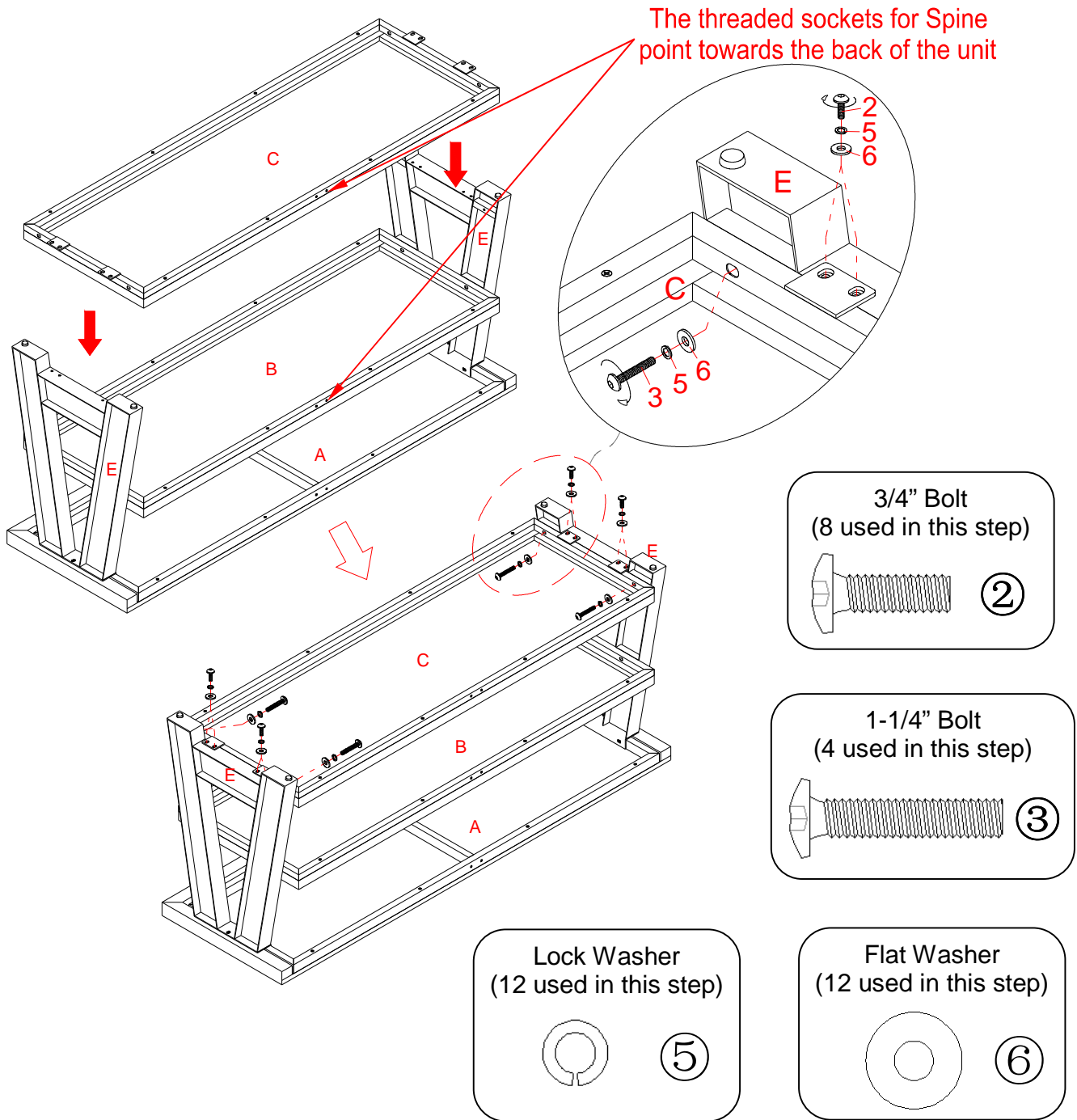
1. Unpack the unit and confirm that you have all the hardware and required parts.
2. Locate the Top Panel (A) on a level and protective surface with the threaded inserts facing up, as shown.
3. Align and attach 2 Legs (E) to the Top Panel (A) by inserting the 3/4" Bolts (2) with Lock Washers (5) and Flat Washers (6) through the drilled holes on the top metal bracket and screw into place. As shown above. **DO NOT** fully tighten the bolts in this step.

**Assembly Instructions**



4. Fit the Middle Shelf Metal Frame (B) between 2 Legs (E) and fasten it in place with four 1-1/4" Bolts (3) and four Washers (5 and 6). As shown above. Make sure that the wood shelf will face up when the unit is turned upright.

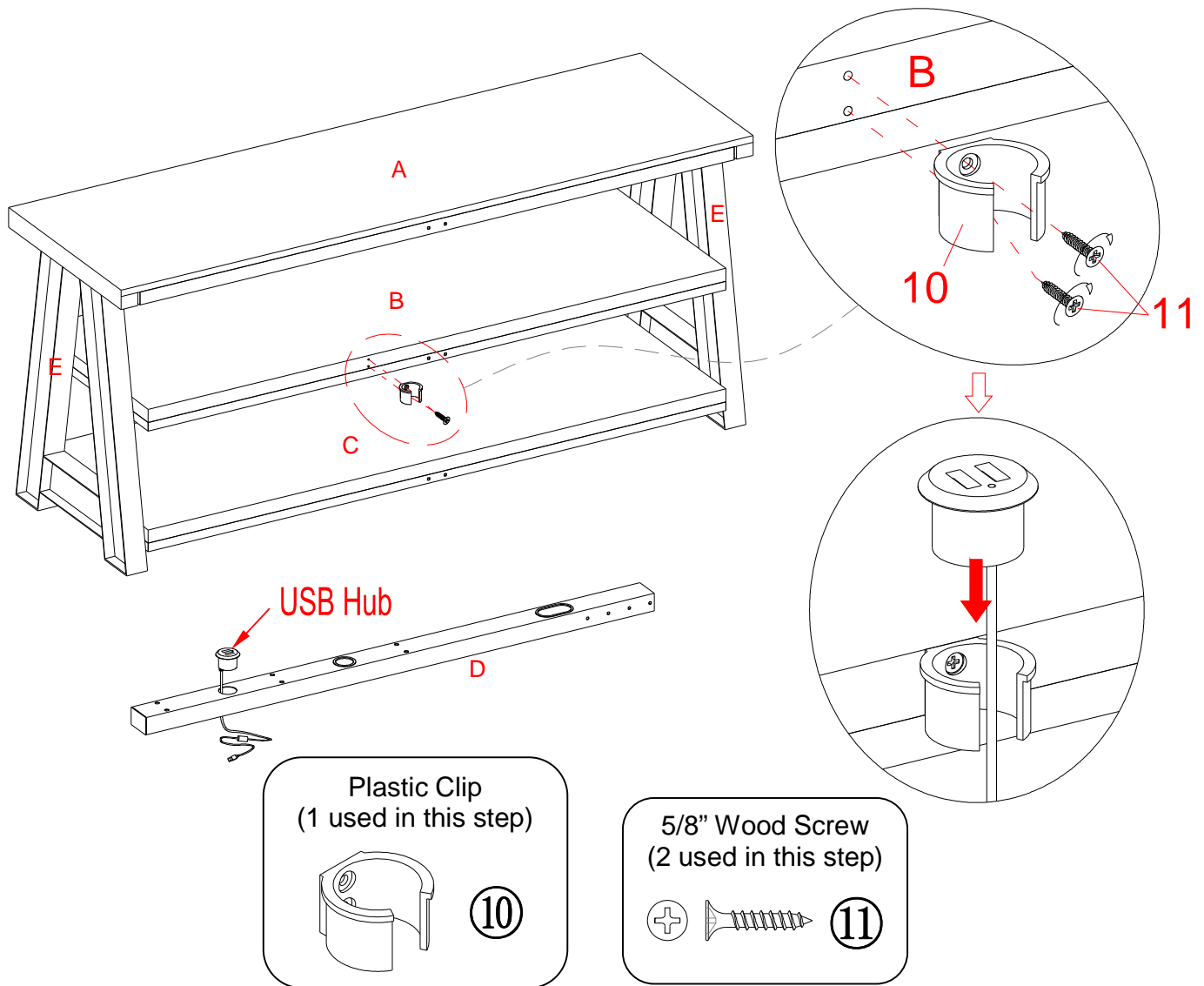
## Assembly Instructions



5. Align and attach the Bottom Shelf (C) to the Legs (E) by using four 1-1/4" Bolts (3) with the Washers (5 and 6) through the drilled holes on the side rails and four 3/4" Bolts (2) with the Washers (5 and 6) through the metal brackets and screw into place. As shown.



## Assembly Instructions for Table-top Console



- Go back and tighten all the bolts. Stand the unit upright.

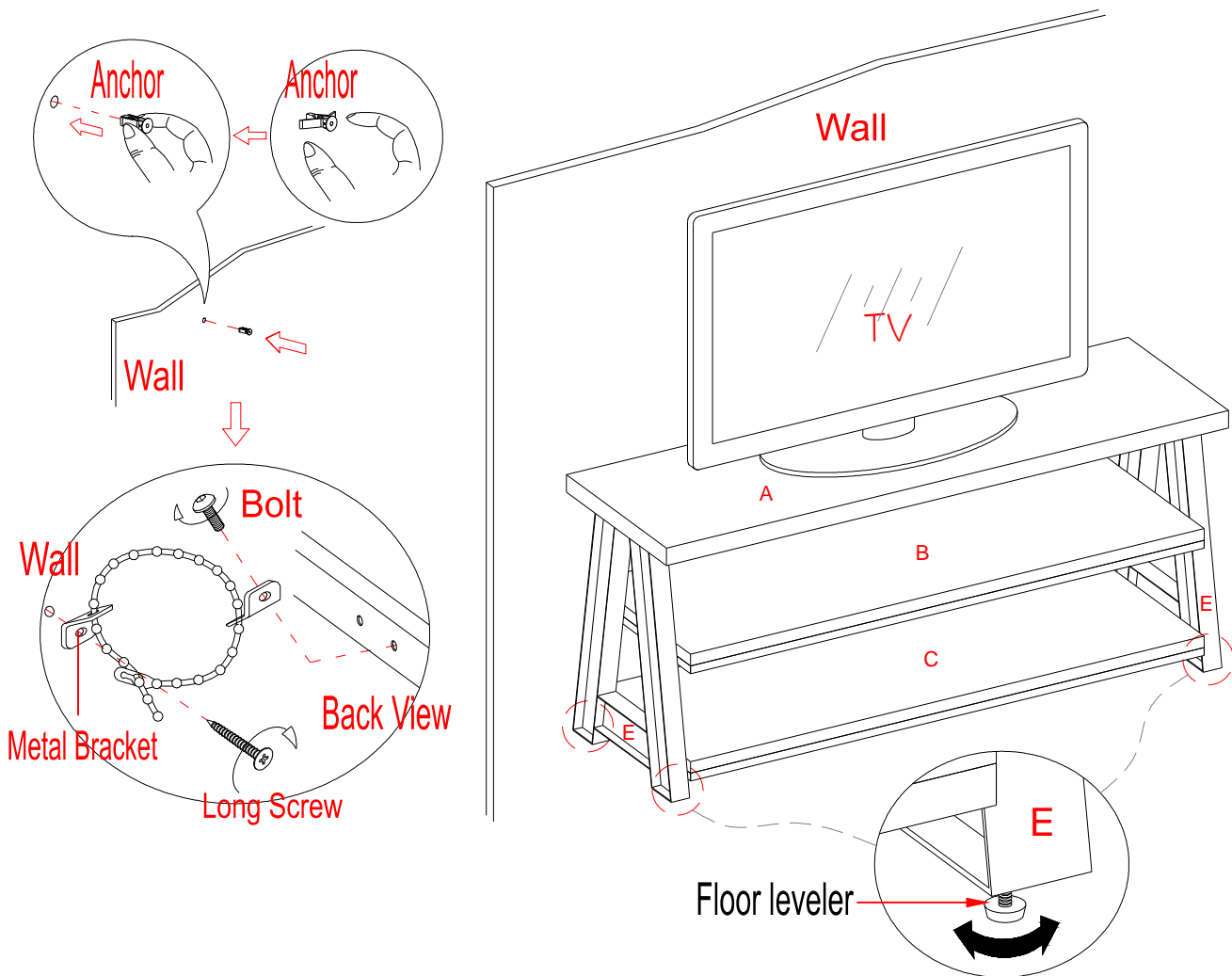
**NOTE:** If mounting the TV to the Floating Swivel Mount, skip ahead to PAGE 10. The following steps are only for those who want to use the USB Hub on the table-top console. If you plan to mount your TV to the Swinging Floater, disregard the following steps.

- Using the pilot holes as a guide, attach the Plastic Clip (10) to the back portion of Middle Shelf (B) with two 5/8" Wood Screws (11). As shown. Be sure the flange of Plastic Clip (10) is up.
- Remove the USB Hub from the Spine (D) and fit it onto the installed Plastic Clip (10). As shown. Now, you can use the USB Hub on both table-top display and wall mount configuration.

Please call for replacement parts or assistance: 1-866-942-5362



## Assembly Instructions for Table-top Console



Tools required: Allen Wrench (provided), Phillips Screwdriver, Mallet, Power Drill, and 3/8" Drill Bit.

- Position the assembled console at the desired location against a wall. If necessary, adjust the pre-attached Floor Levelers at the bottom of Legs (E) to level the unit. Now, follow the instructions printed on the plastic bag containing the Tipping Restraint Hardware to attach the tip-over restraint to the back rail and the wall.

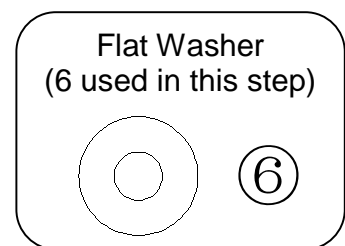
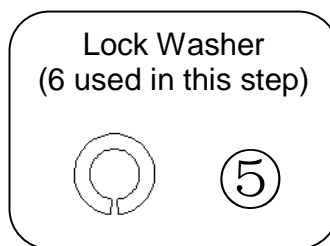
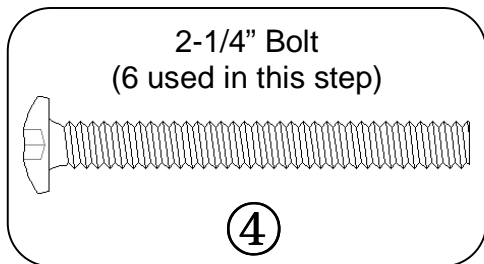
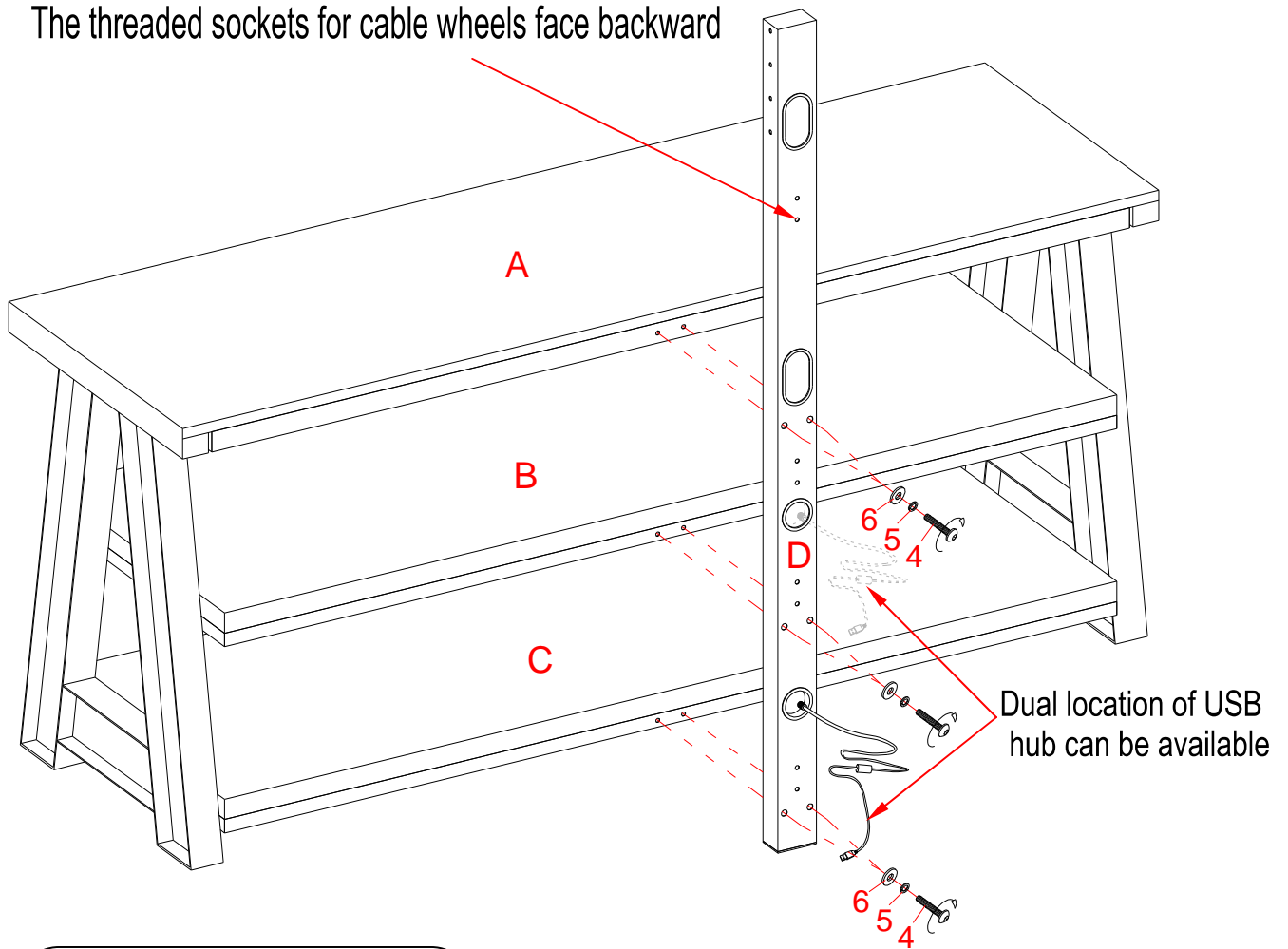
**NOTE: YOU MUST USE THIS TIPPING RESTRAINT TO ATTACH THIS UNIT TO THE WALL, TO PREVENT ACCIDENTS AND/OR INJURIES.**

- The table-top console is now ready for use. Be sure to position your Flat Panel TV in the center of the console.

**NOTE:** For Tilting Wall Mount, proceed to PAGE #19.

**Assembly Instructions for Floating Swivel Mount**

The threaded sockets for cable wheels face backward

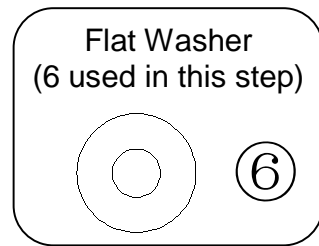
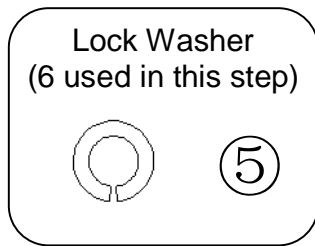
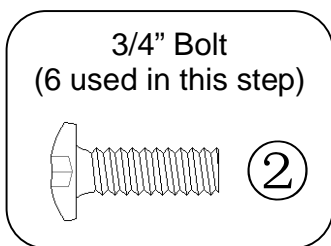
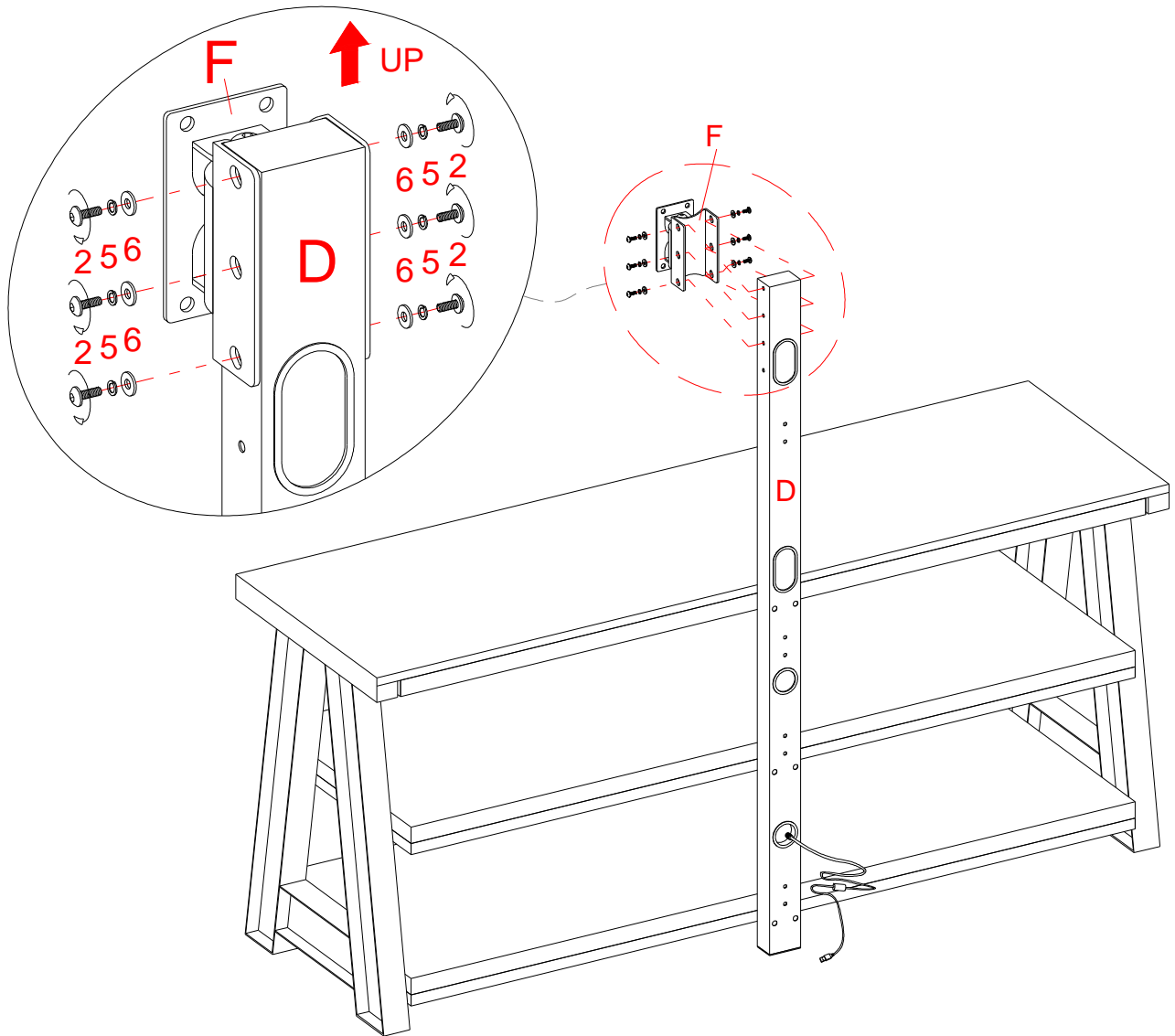


11. Align and attach the Spine (D) to the back of the console with six 2-1/4" Bolts (4) and six Washers (5 and 6). Tighten the bolts with the enclosed M4 Allen Wrench. Make sure the threaded sockets for the Cable Wheel (I) face backward.

12. The USB Hub is pre-attached at the bottom round grommet hole of the Spine (D) when shipping. Also, you can put it between the top and middle shelves as needed. To change the location of USB hub, you need to interchange it with the upper round grommet on the front of the Spine (D).

Please call for replacement parts or assistance: 1-866-942-5362

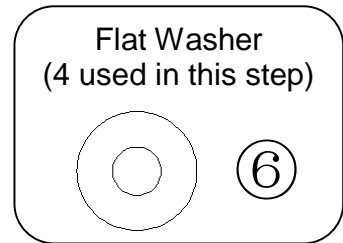
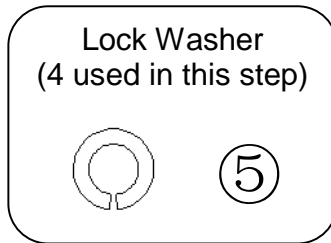
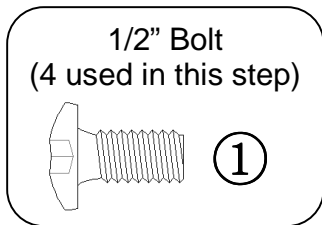
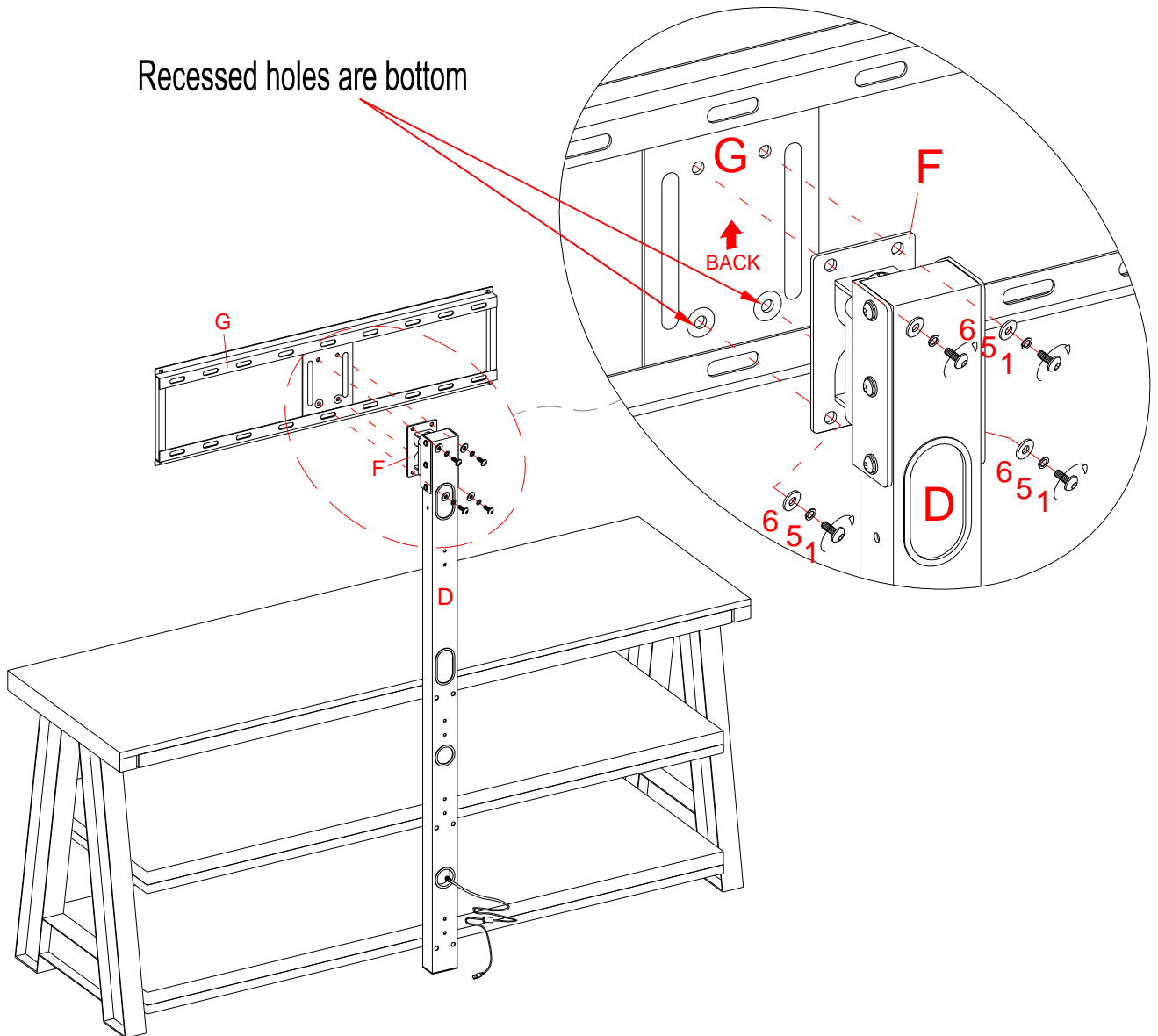
### Assembly Instructions for Floating Swivel Mount



13. Fasten the Swiveling Bracket (F) to the top of the Spine (D) with six 3/4" Bolts (2) and six Washers (5 and 6) by the enclosed Allen wrench. Make sure that the pivoting bolt head is up.

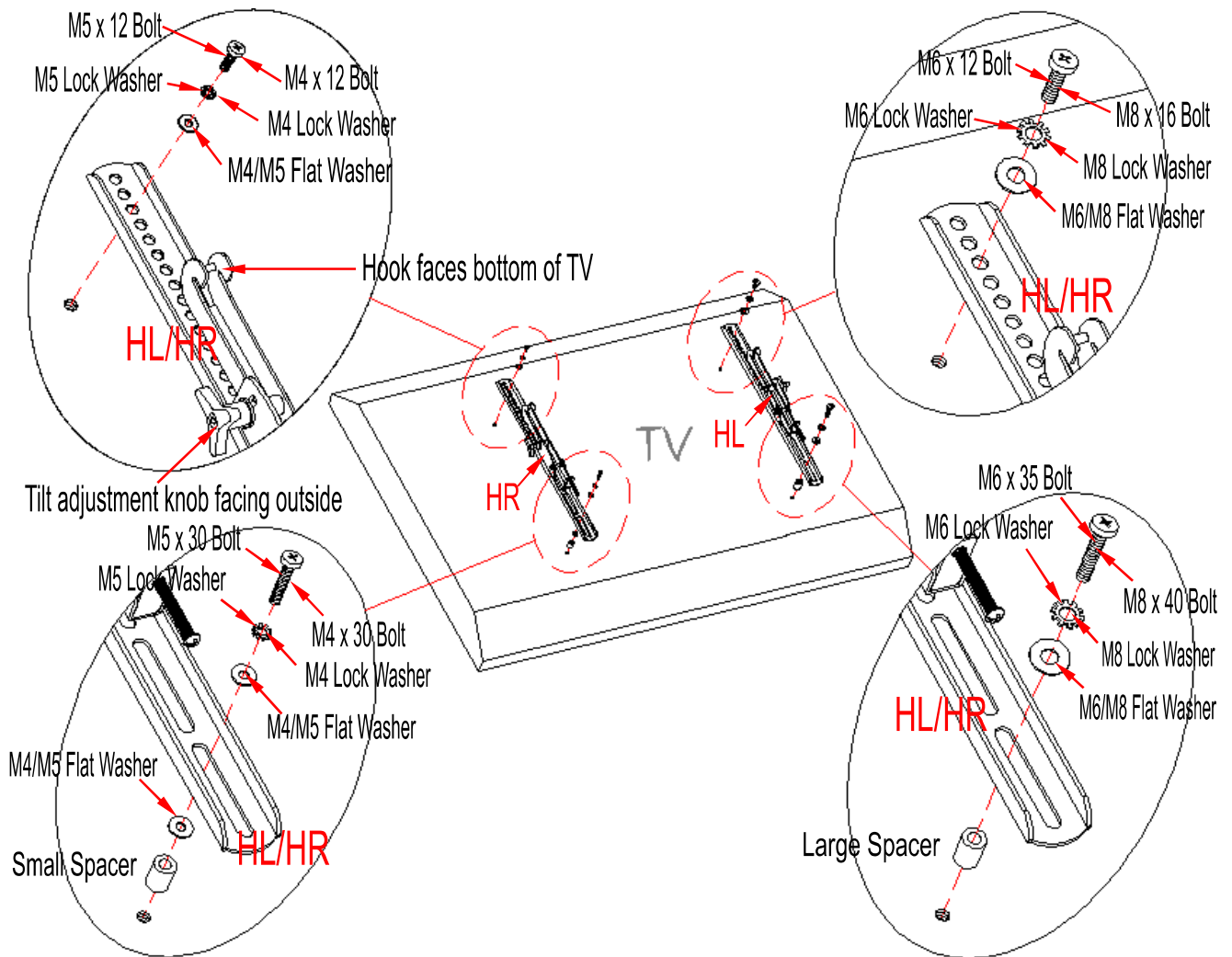
**NOTE:** The Spine can provide two height options for your TV set. Refer to your TV size and adjust the Swiveling Bracket at the desired height for optimum viewing.

### Assembly Instructions for Floating Swivel Mount



14. Hold and attach the flat side of the Mounting Frame (G) to the Swiveling Bracket (F) using four 1/2" Bolts (1) and four Washers (5 and 6). Make sure that the recessed holes on the Mounting Frame are at the bottom.

## Mounting the Monitor Brackets to a television with a Flat Back



**NOTE:** For televisions with a curved or recessed back, proceed directly to next page.

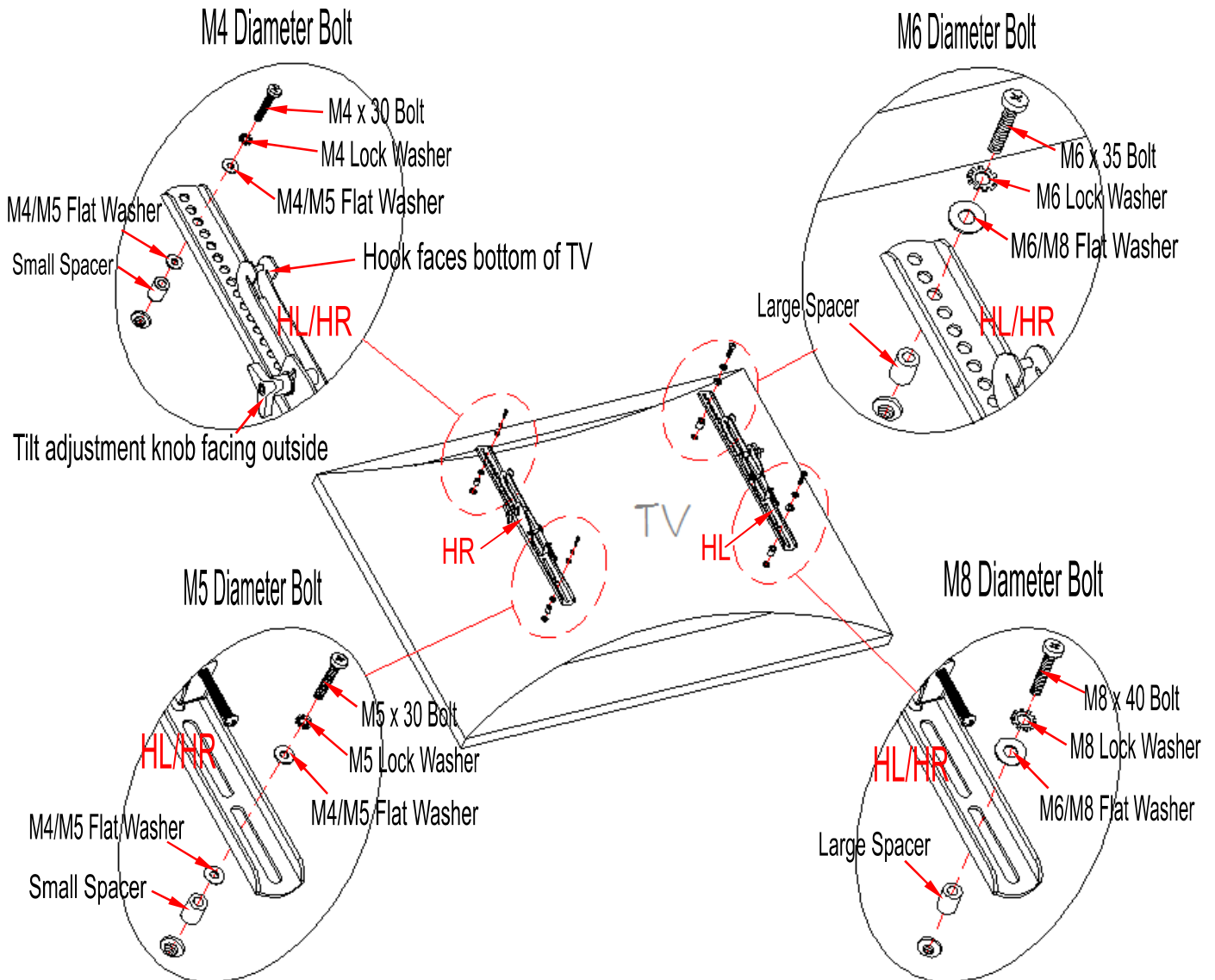
15. Determine the correct diameter of the bolt the TV requires by hand threading them into the threaded insert on the back of the TV. If you encounter any resistance, stop immediately. If you are unable to find the correct Bolt, consult a local hardware store.
16. Follow the appropriate diagram above to attach the Monitor Brackets (HL/HR) to the back of the TV with the selected fasteners. Make sure the Monitor Brackets are vertically centered and level with each other. Secure the bolts with a Phillips screwdriver. DO NOT over tighten the bolts.

**NOTE:** Lean the TV up against a wall, or other solid surface, when attaching the Monitor Brackets. DO NOT place the TV face down on the glass as this may cause permanent damage.

NOTE: If mounting your TV in the Wall Mount configuration, once you have completed the installation of the monitor brackets, proceed to PAGE 19.

Please call for replacement parts or assistance: 1-866-942-5362

## Mounting the Monitor Brackets to a television with a Curved/Recess Back



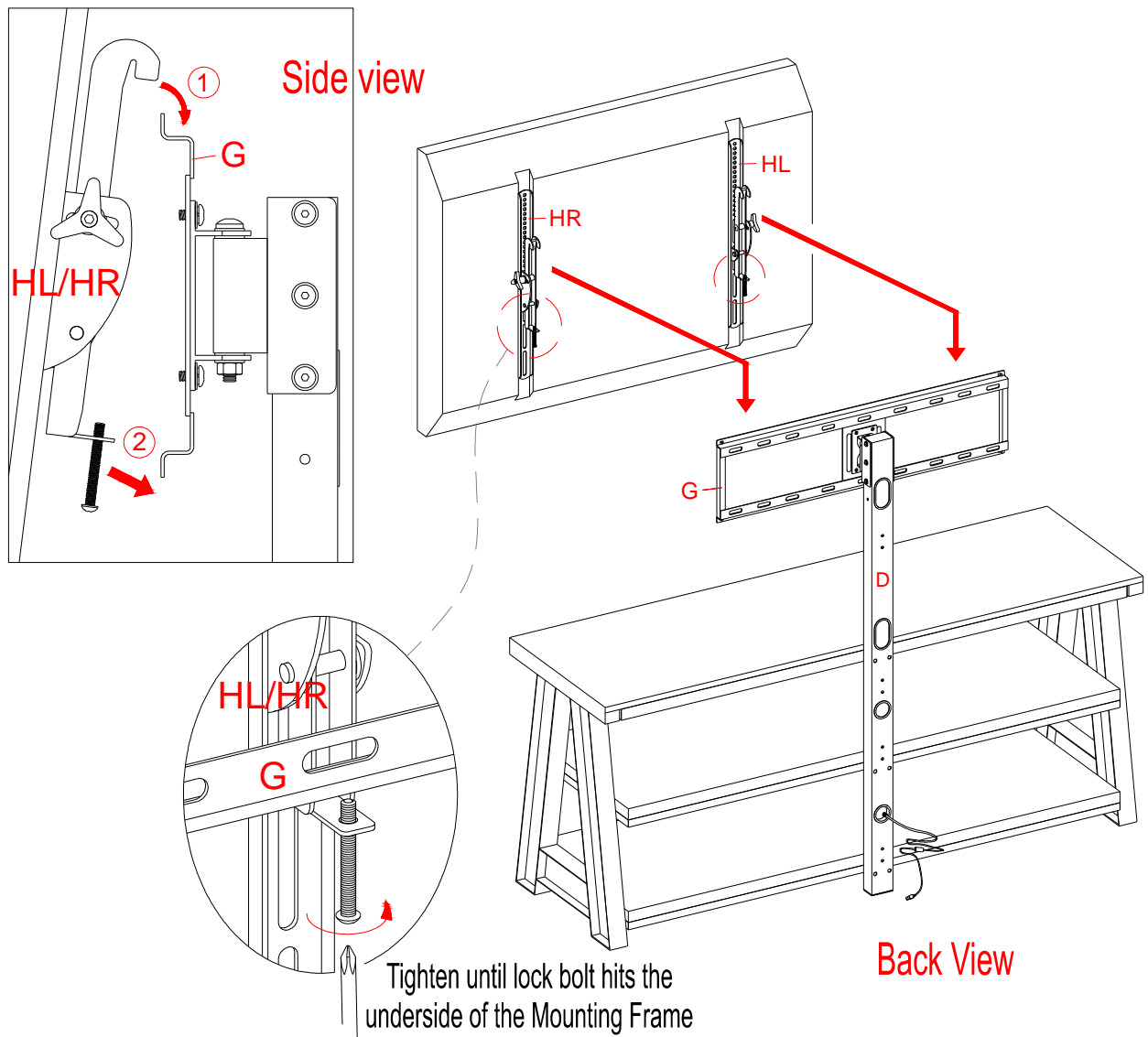
17. Determine the correct diameter of the Bolt the TV requires by hand threading them into the threaded insert on the back of the TV. If you encounter any resistance, stop immediately. If you are unable to find the correct Bolt consult a local hardware store.

18. Follow the appropriate diagram above to attach the Monitor Brackets (HL/HR) to the back of the TV with the selected fasteners. Make sure the Monitor Brackets are vertically centered and level with each other. Secure the bolts with a Phillips screwdriver. DO NOT over tighten the bolts.

**NOTE:** Lean the TV up against a wall, or other solid surface, when attaching the Monitor Brackets. DO NOT place the TV face down on the glass as this may cause permanent damage.

NOTE: If mounting your TV in the Wall Mount configuration, once you have completed the installation of the monitor brackets, proceed to PAGE 19.

## Assembly Instructions for Floating Swivel Mount



**MAKE SURE ALL BOLTS ARE TIGHT AND THE SPINE IS AT A 90 DEGREE ANGLE. USE A QUALITY LEVEL TO VERIFY THE MOUNTING FRAME IS LEVEL PRIOR TO INSTALLATION OF TV.**

19. Once the Monitor Brackets (HL/HR) are attached onto the back of television, ask for assistance to lift the television up to hang the Monitor Brackets (HL/HR) onto the Mounting Frame (G). Set the hooks on the Monitor Brackets over the Mounting Frame and then lower them onto the bars of the Mounting Frame.

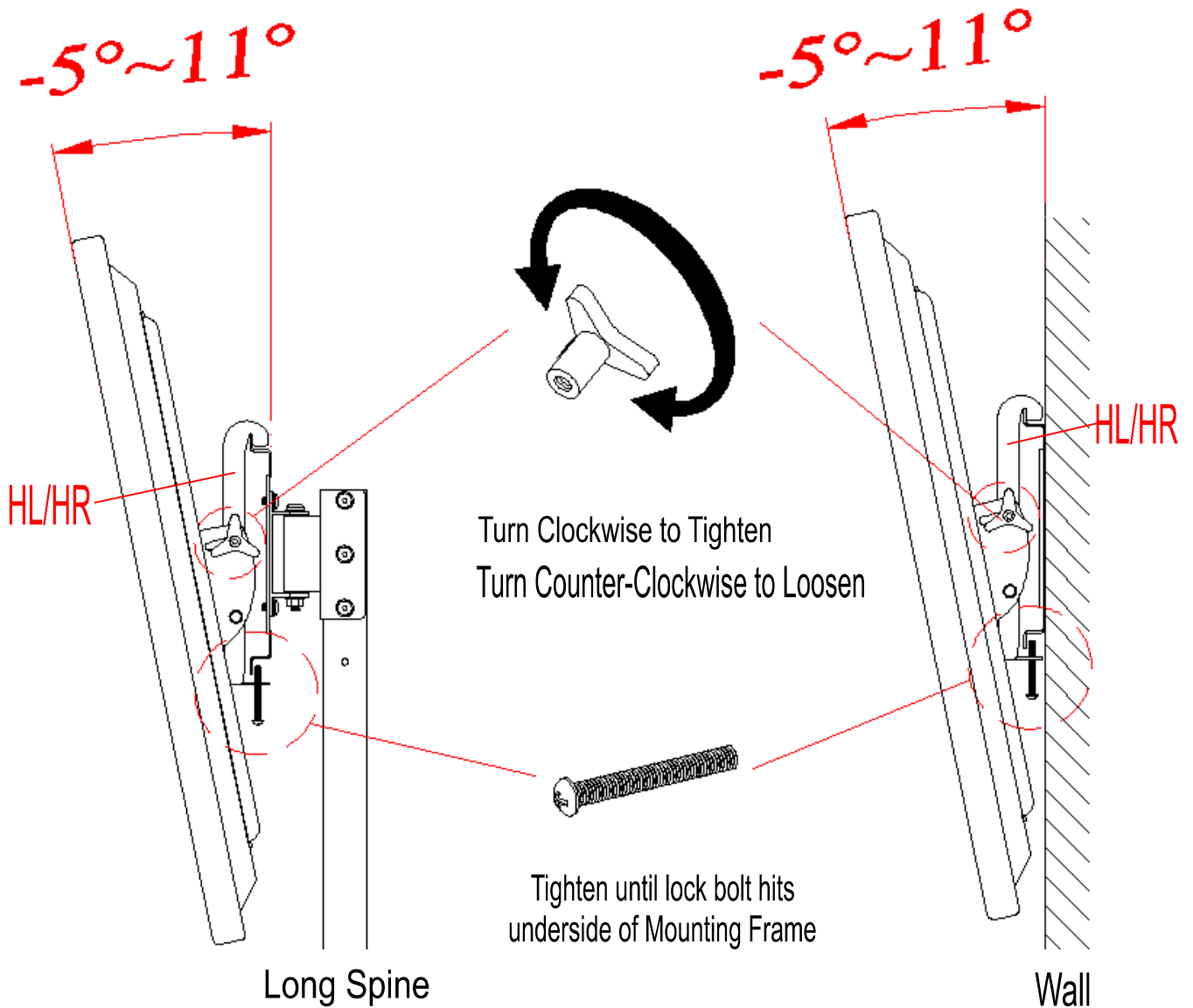
**NOTE:** Loosen the Lock Bolt that is pre-attached to each Monitor Bracket to ensure an easy fit at the bottom hook.

20. Center the television and tighten both Lock Bolts with a long Phillips screwdriver until they hit the underside of the Mounting Frame (G) to secure it in place.

Please call for replacement parts or assistance: 1-866-942-5362

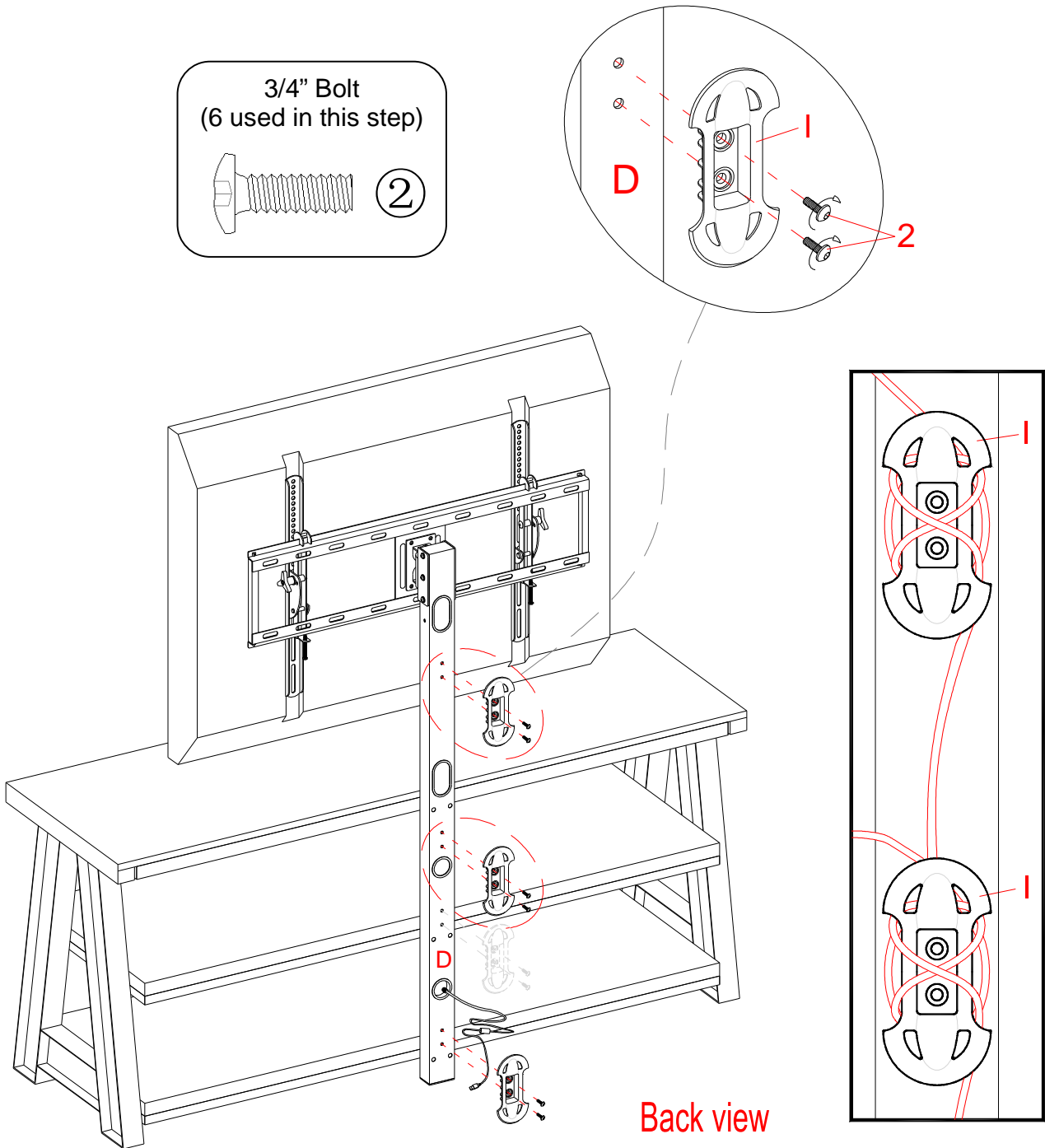


Assembly Instructions for Floating Swivel Mount



21. The Monitor Brackets (HL/HR) can tilt up to  $11^{\circ}$  downward and  $5^{\circ}$  upward, depending on your optimum viewing position. Keep the enclosed  $3/16"$  Allen Wrench to ensure the Tilt Adjustment Knobs remain tightly fastened.

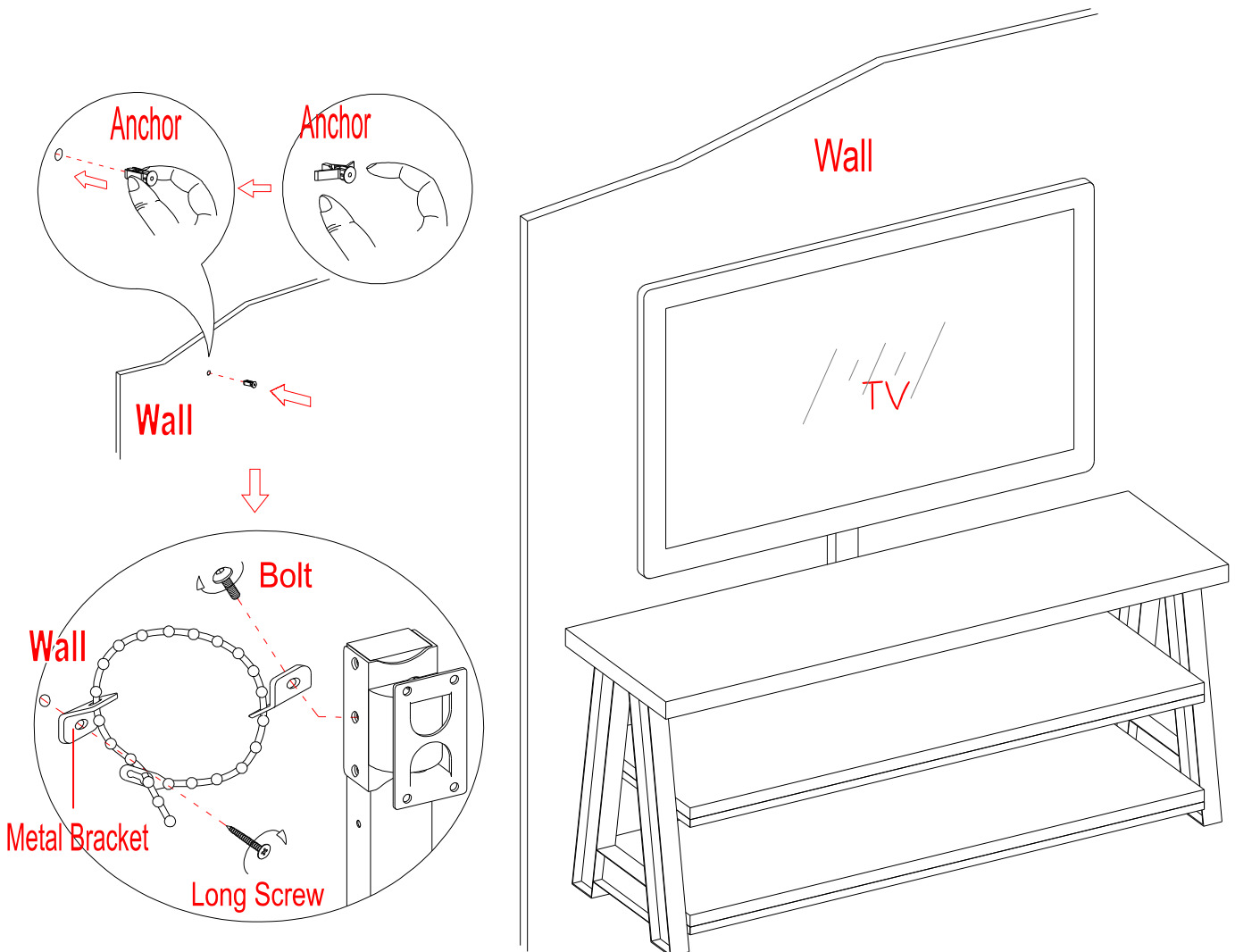
## Assembly Instructions for Floating Swivel Mount



22. Attach 3 Cable Wheels (I) to the backside of the Spine (D) with the 3/4" Bolts (2).

**NOTE:** You can use the Cable Wheels to help keep the entertainment center's cables and cords organized.

Assembly Instructions for Floating Swivel Mount



Tools required: Allen Wrench (provided), Phillips screwdriver, Mallet, Power Drill, and 3/8" Drill Bit.

23. Carefully move the console and position it at the desired location against a wall. Now, follow the instructions printed on the plastic bag containing Tipping Restraint Hardware Kit to mount the tip-over restraint to the Spine and the wall.

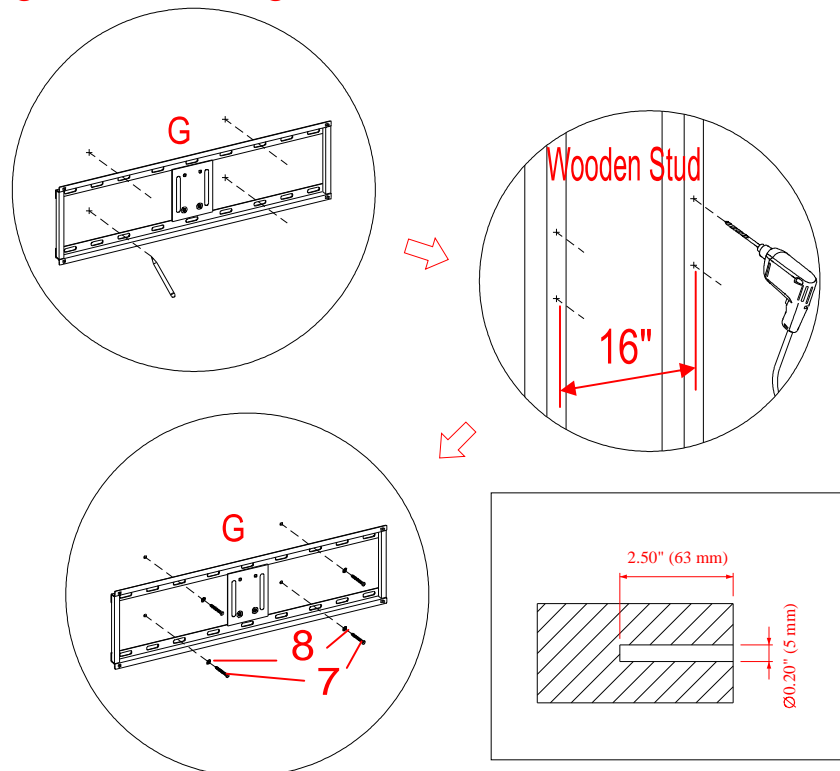
**NOTE:** YOU MUST USE THIS TIPPING RESTRAINT TO ATTACH THIS UNIT TO THE WALL, TO PREVENT ACCIDENTS AND/OR INJURIES.

24. The console is now ready for use. Swivel the TV left-or-right for optimum viewing control.



The following steps are only for those who wish to mount their TV directly to the wall. If you have already mounted your TV to the Swinging Floater or plan to display your TV on the top surface of the Console, disregard the following steps.

## Assembly Instructions for Universal Wall Mount Installing the Mounting Frame onto a WOODEN STUD WALL



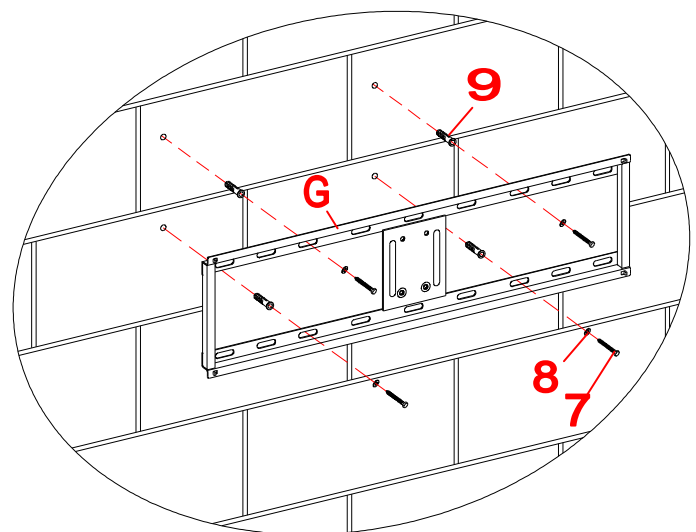
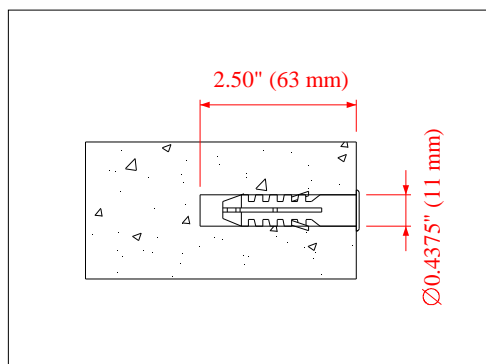
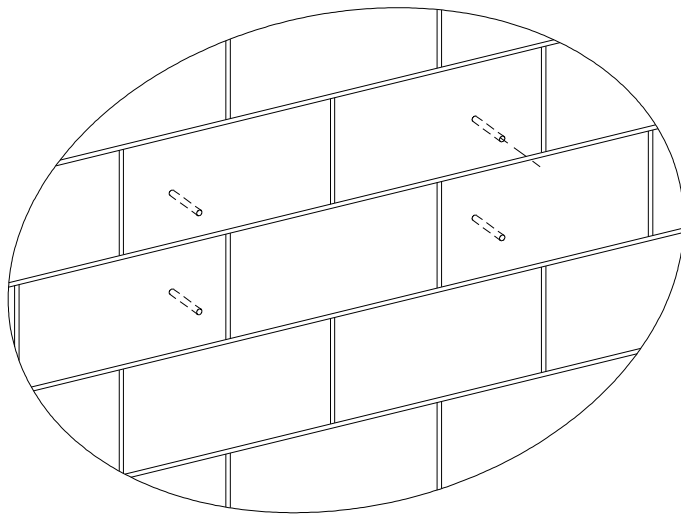
**NOTE:** If you are mounting your TV onto brick, solid concrete or concrete block walls, skip this section. This assembly requires an electric drill, level and stud finder (not included).

25. Using a stud finder, locate the edges of the wood studs. Find the center line of each stud and draw a vertical reference line on the wall over each one. Place the Mounting Frame (G) level against the wall where you intend to mount the TV. Using the Mounting Frame (G) as a template, mark 4 drill points (2 on top, 2 on bottom) with a pencil on the vertical reference lines you just drew.
26. With an electric drill (not included), drill 3/16 inch diameter holes to at least 2½ inch deep on the 4 drill points. While holding the Bracket Plate in place, loosely screw in the Lag Bolts (7).
27. Secure the Mounting Frame (G) to wall with Lag Bolts (7) and the Washers (8) at the drill points. Tighten the bolts firmly, but be careful not to over-tighten.

**⚠ WARNING** Do not over-tighten the Lag Bolts. Tighten the Lag Bolts only until the Lag Bolt Washer is pulled firmly against the metal plate of the Mounting Frame. If there is a layer of drywall or other material, this drywall or other material may not exceed 5/8 inch in thickness. Failure to heed this caution may result property damage and/or personal injury.

Please call for replacement parts or assistance: 1-866-942-5362

## Assembly Instruction for installing the Mounting Frame onto BRICK, SOLID CONCRETE OR CONCRETE BLOCK WALLS



**⚠ WARNING** Maximum weight 135 lb. (61.2 kg)

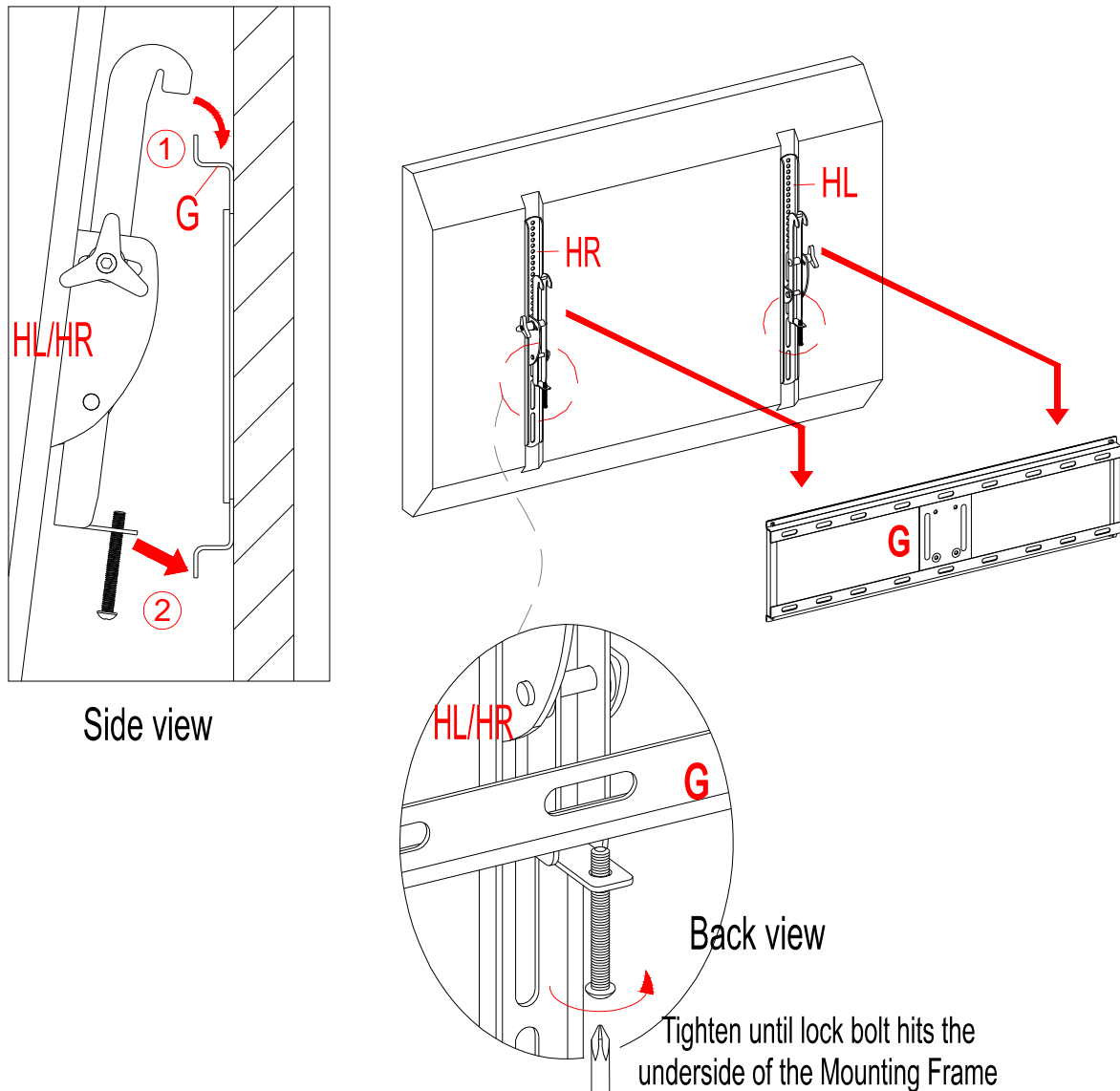
**⚠ WARNING** Concrete Anchors should only be used for masonry mounting. NEVER use the wall anchors to mount the unit to drywall.

**NOTE:** If you are mounting your TV to a wall with wooden studs, skip this section. This assembly requires an electric drill and level (not included).

28. Begin by placing the Mounting Frame (G) level against the wall where you intend to mount the TV. Using the Mounting Frame (G) as a template, mark 4 drill points with a pencil.
29. With an electric drill (not included) on its low setting, drill 7/16 inch diameter holes to at least 2½ inch deep. Insert the Concrete Anchors (9) into the pre-drilled holes so that they are flush with the wall.
30. Place the Mounting Frame (G) level in the desired position against the wall. Secure the Mounting Frame (G) to the wall with the Lag Bolts (7) and the Washers (8) at the drill points. Tighten the bolts firmly, but be careful not to over-tighten.

Please call for replacement parts or assistance: 1-866-942-5362

## Assembly Instructions



31. Attach the Monitor Brackets (HL/HR) to the back of the television following steps 15 & 16, or 17 & 18, depending on the type of TV that you own.
32. Ask for assistance to lift the television up to attach the Monitor Brackets (HL/HR) onto the Mounting Frame (G). Set the hooks on Monitor Brackets over the Mounting Frame and then lower them onto the bars of the Mounting Frame (G). Proceed to center the television.
33. When the TV is in its intended position, tighten both Lock Bolts with a long Phillips screwdriver until they hit the underside of the Mounting Frame (G) to ensure your TV is safe and secure.
34. Place the assembled console under your TV. Finally, connect the A/V and power cables to your TV. You are now ready to enjoy your wall-mounted Flat Panel TV.

Please call for replacement parts or assistance: 1-866-942-5362

## Care and Maintenance

- Use a soft, clean cloth that will not scratch the surface when dusting.
- Use of furniture polish is not necessary. Should you choose to use polish, test first in an inconspicuous area.
- Using solvents of any kind on your furniture may damage the finish.
- Never use water to clean your furniture as it may cause damage to the finish.
- Always use coasters under beverage glasses and flowerpots.
- Liquid spills should be removed immediately. Using a soft clean cloth, blot the spill gently. Avoid rubbing.
- Always use protective pads under hot dishes and plates. Heat can cause chemical changes that may create spotting within the furniture finish.
- Stains or marks from crayons or ink markers will be difficult to remove.
- In the event that your furniture is stained or otherwise damaged during use, we recommend that you call a professional to repair your furniture.
- Check bolts/screws periodically and tighten them if necessary.

## Further advice about furniture care

It is best to keep your furniture in a climate-controlled environment. Extreme temperature and humidity changes can cause fading, warping, shrinking and splitting of wood. It is advised to keep furniture away from direct sunlight as sun may damage the finish.

Proper care and cleaning at home will extend the life of your purchase. Following these important and helpful tips will enhance your furniture as it ages.

**A Touch-up Pen has been provided to repair any small nicks or scratches that may occur during assembly or shipping.**

We hope you enjoy your purchase for many years.  
Thanks for your purchase!

## QUALITY GUARANTEE

We are confident that you will be delighted with your Whalen Furniture purchase.

Should this product be defective in workmanship or materials or fail under normal use, we will repair or replace it for up to one (1) year from date of purchase. Every Whalen Furniture product is designed to meet your highest expectations. We guarantee that you will immediately see the value of our fine furniture.

This warranty gives you specific legal rights and you may also have other rights which vary from State to State.

Customer Service: 1-866-942-5362

8:30 a.m. - 4:30 p.m., PST, Monday to Friday

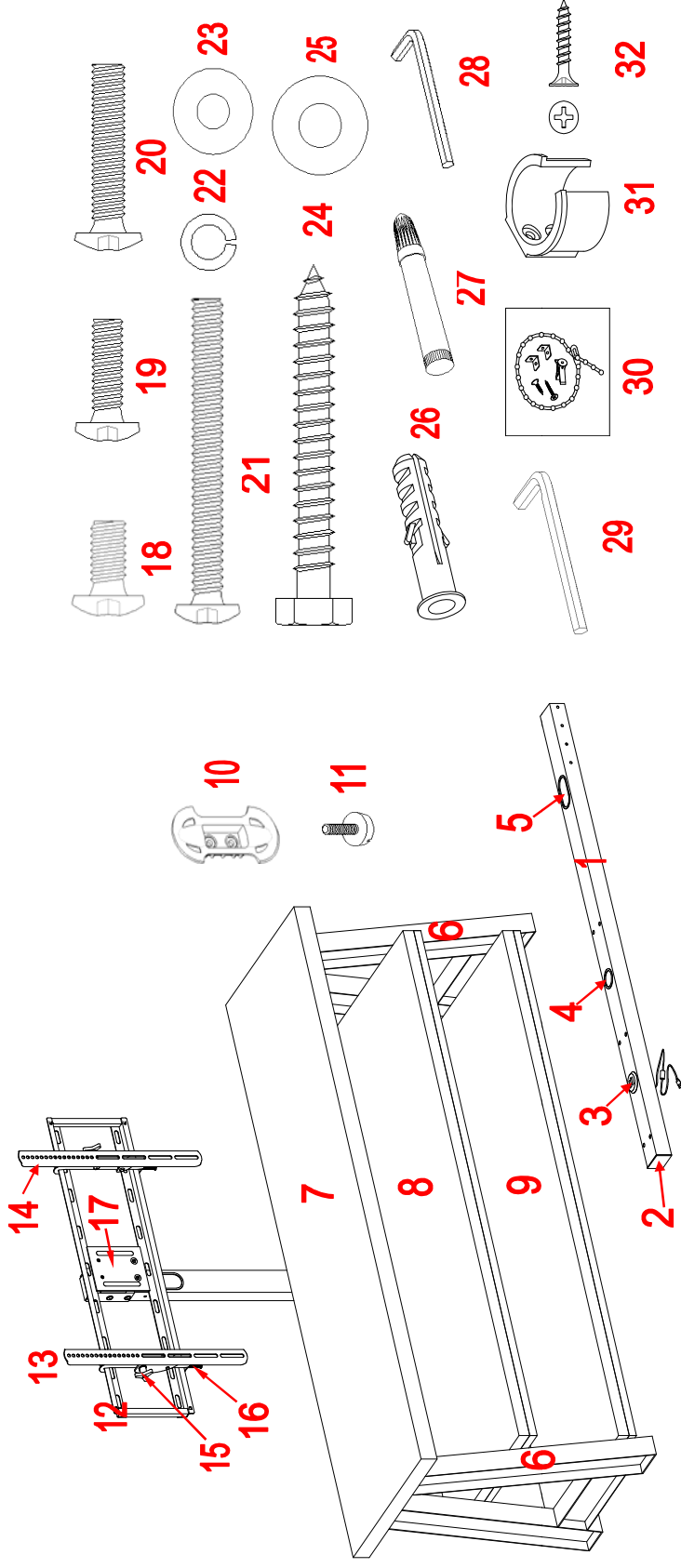
**[www.whalenstyle.com](http://www.whalenstyle.com)**

**Please call for replacement parts or assistance: 1-866-942-5362**



IF YOU NEED TO ORDER ANY REPLACEMENT PARTS, PLEASE USE THE LIST BELOW

Mercer 3-in-1™ TV Stand (BH15-084-899-02)



*BH15-084-899-02-1-S	Spine	*BH15-084-899-02-18-1/2B	1/2" Bolt
*BH15-084-899-02-2-SEC	Spine End Cap	*BH15-084-899-02-19-3/4B	3/4" Bolt
*BH15-084-899-02-3-USBH	USB Hub	*BH15-084-899-02-20-1 1/4B	1-1/4" Bolt
*BH15-084-899-02-4-RPG	Round Plastic Grommet	*BH15-084-899-02-21-2 1/4B	2-1/4" Bolt
*BH15-084-899-02-5-OPG	Oval Plastic Grommet	*BH15-084-899-02-22-LW	Lock Washer
*BH15-084-899-02-6-L	Leg	*BH15-084-899-02-23-FW	Flat Washer
*BH15-084-899-02-7-TPWMF	Top Panel with Metal Frame	*BH15-084-899-02-24-2 1/2LB	2-1/2" Lag Bolt
*BH15-084-899-02-8-MSWMF	Middle Shelf with Metal Frame	*BH15-084-899-02-25-LFW	Large Flat Washer
*BH15-084-899-02-9-BSWMF	Bottom Shelf with Metal Frame	*BH15-084-899-02-26-CA	Concrete Anchor
*BH15-084-899-02-10-CW	Cable Wheel	*BH15-084-899-02-27-TUP	Touch-up Pen
*BH15-084-899-02-11-FL	Floor Leveler	*BH15-084-899-02-28-M4AW	4 mm Allen Wrench
*BH15-084-899-02-12-MF	Mounting Frame	*BH15-084-899-02-29-3/16AW	3/16" Allen Wrench
*BH15-084-899-02-13-LMB	Left Monitor Bracket	*BH15-084-899-02-30-TRHK	Tipping Restraint Hardware Kit
*BH15-084-899-02-14-RMB	Right Monitor Bracket	*BH15-084-899-02-31-PC	Plastic Clip
*BH15-084-899-02-15-TAK	Tilt Adjustment Knob	*BH15-084-899-02-32-5/8WS	5/8" Wood Screw
*BH15-084-899-02-16-LB	Lock Bolt	*BH15-084-899-02-TVMK	TV Mounting Kit
*BH15-084-899-02-17-SB	Swiveling Bracket	*BH15-084-899-02-CH	Complete Hardware