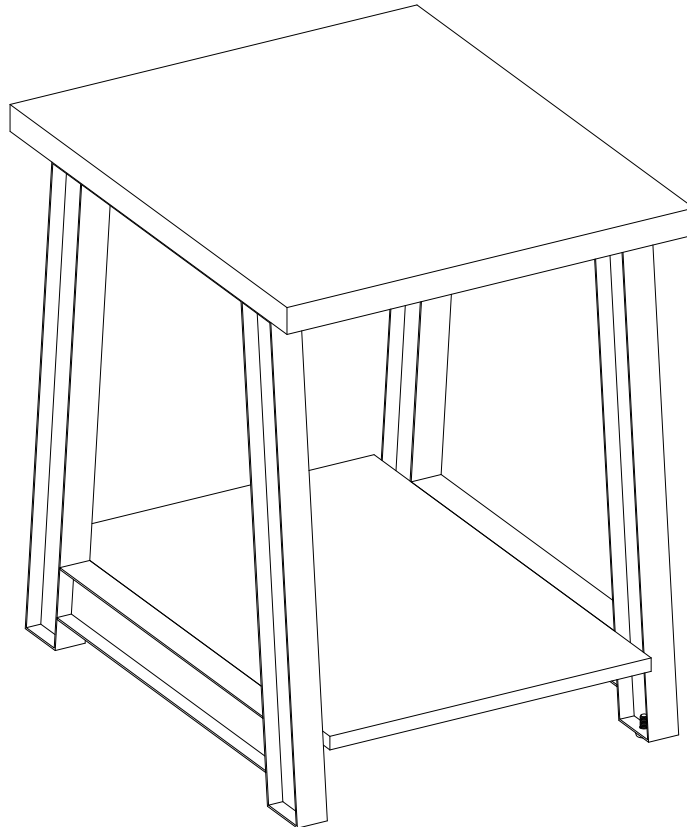


Mercer Side Table

Stock # BH45-021-199-01



ADULT ASSEMBLY REQUIRED

If you have any questions regarding assembly or if parts are missing, DO NOT return this item to the store where it was purchased. Please call our customer service number and have your instructions and parts list ready to provide the model name, part name or factory number:

1-866-942-5362

Pacific Standard Time: 8:30 a.m. - 4:30 p.m., Monday - Friday

Or visit our web site 24 hours a day, 7 days a week for product assistance at

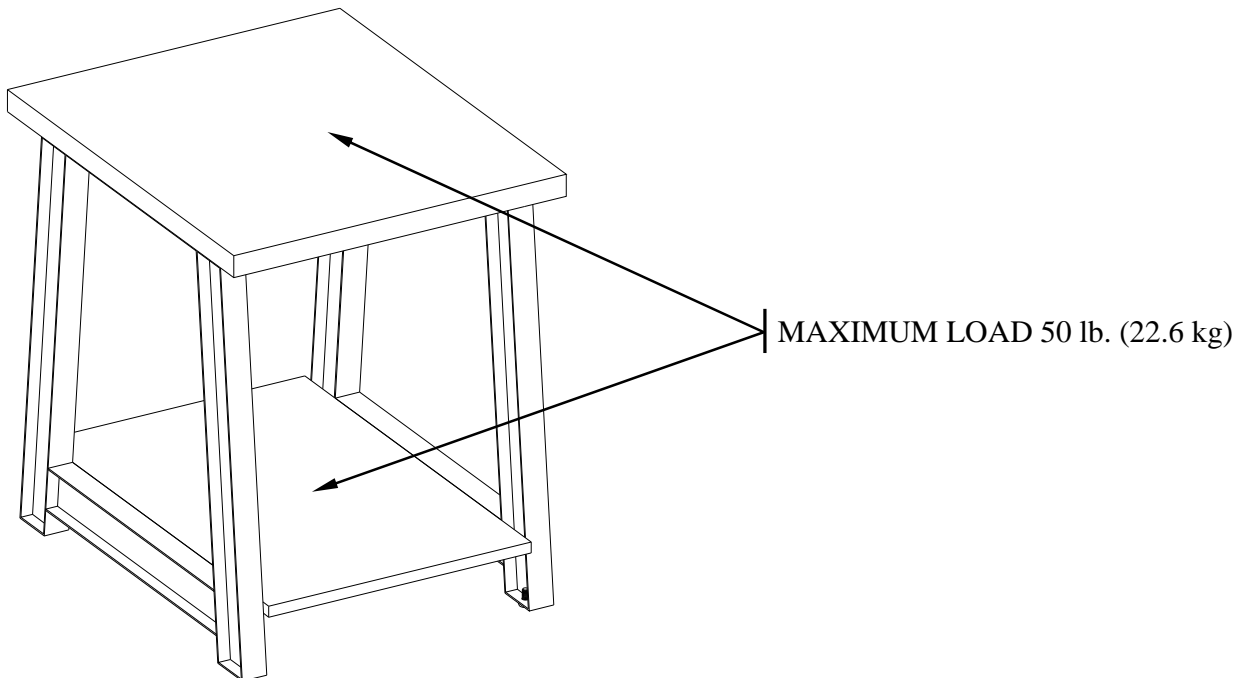
www.whalenstyle.com

Or e-mail your request to **parts@whalenfurniture.com**

**THIS INSTRUCTION BOOKLET CONTAINS IMPORTANT SAFETY INFORMATION.
PLEASE READ AND KEEP FOR FUTURE REFERENCE.**

MAXIMUM RECOMMENDED WEIGHT LOADS

MANUFACTURER: Whalen Furniture Manufacturing
CATALOG: Mercer Side Table (BH45-021-199-01)
MADE IN CHINA



⚠ WARNING THIS UNIT IS INTENDED ONLY FOR USE WITHIN THE MAXIMUM WEIGHTS INDICATED. USE WITH LOADS HEAVIER THAN THE MAXIMUM WEIGHTS INDICATED MAY RESULT IN INSTABILITY, CAUSING POSSIBLE INJURY.

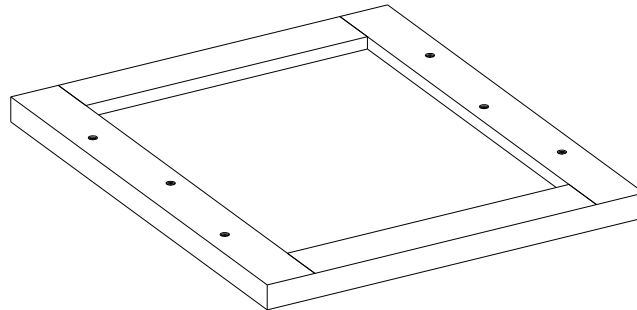
GENERAL INFORMATION, TIPS & TRICKS

1. Please read the Assembly Instructions prior to assembling the unit.
2. To avoid damage, assemble the unit on a sturdy, level and non-abrasive surface.
3. Keep all hardware and parts out of reach of children.
4. Please wait until all steps are completed before tightening bolts.
5. Make sure all bolts are tightly fastened before the unit is used.
6. Check that all bolts, screws and knobs are tight at least every 3 months or as needed.

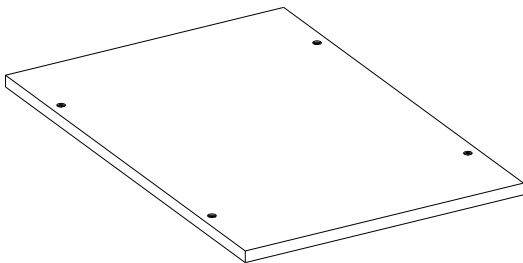
Please call for replacement parts or assistance: 1-866-942-5362

Parts and Hardware List

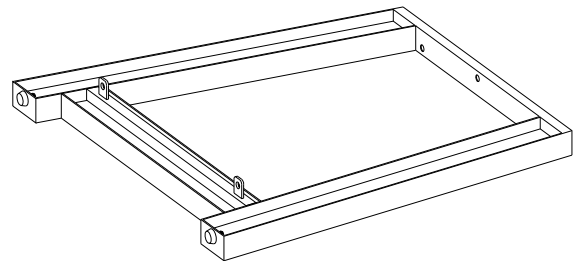
Please read completely through the instructions and verify that all listed parts and hardware are present before beginning assembly.



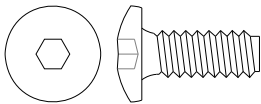
A- Top Panel (1)



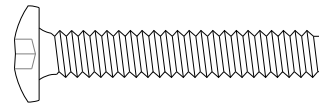
B- Bottom Shelf (1)



C- Leg (2)



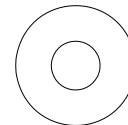
(1) Ø1/4" x 5/8" Bolt (4+1 extra)



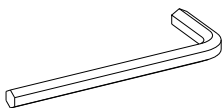
(2) Ø1/4" x 1-1/2" Bolt (6+1 extra)



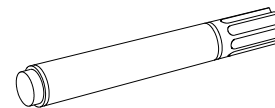
(3) Lock Washer (10+1 extra)



(4) Flat Washer (10+1 extra)



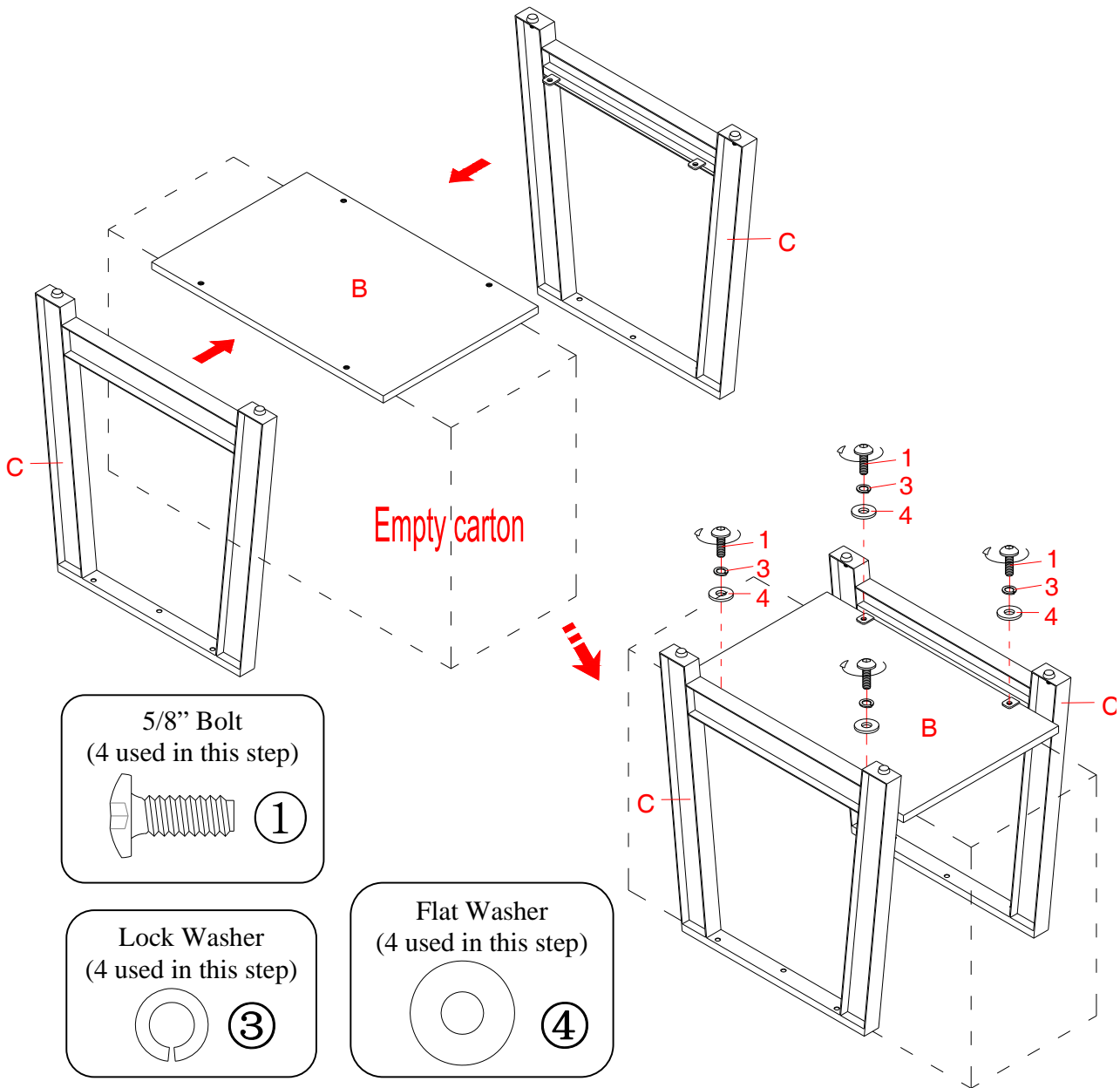
4 mm Allen Wrench (1)



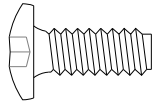
Touch-up Pen (1)

Tools required: Allen wrench (provided).

Assembly Instructions



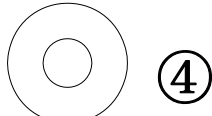
5/8" Bolt
(4 used in this step)



Lock Washer
(4 used in this step)



Flat Washer
(4 used in this step)

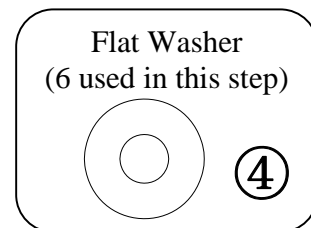
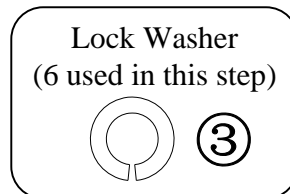
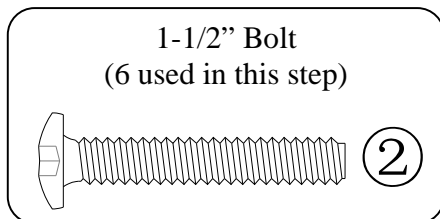
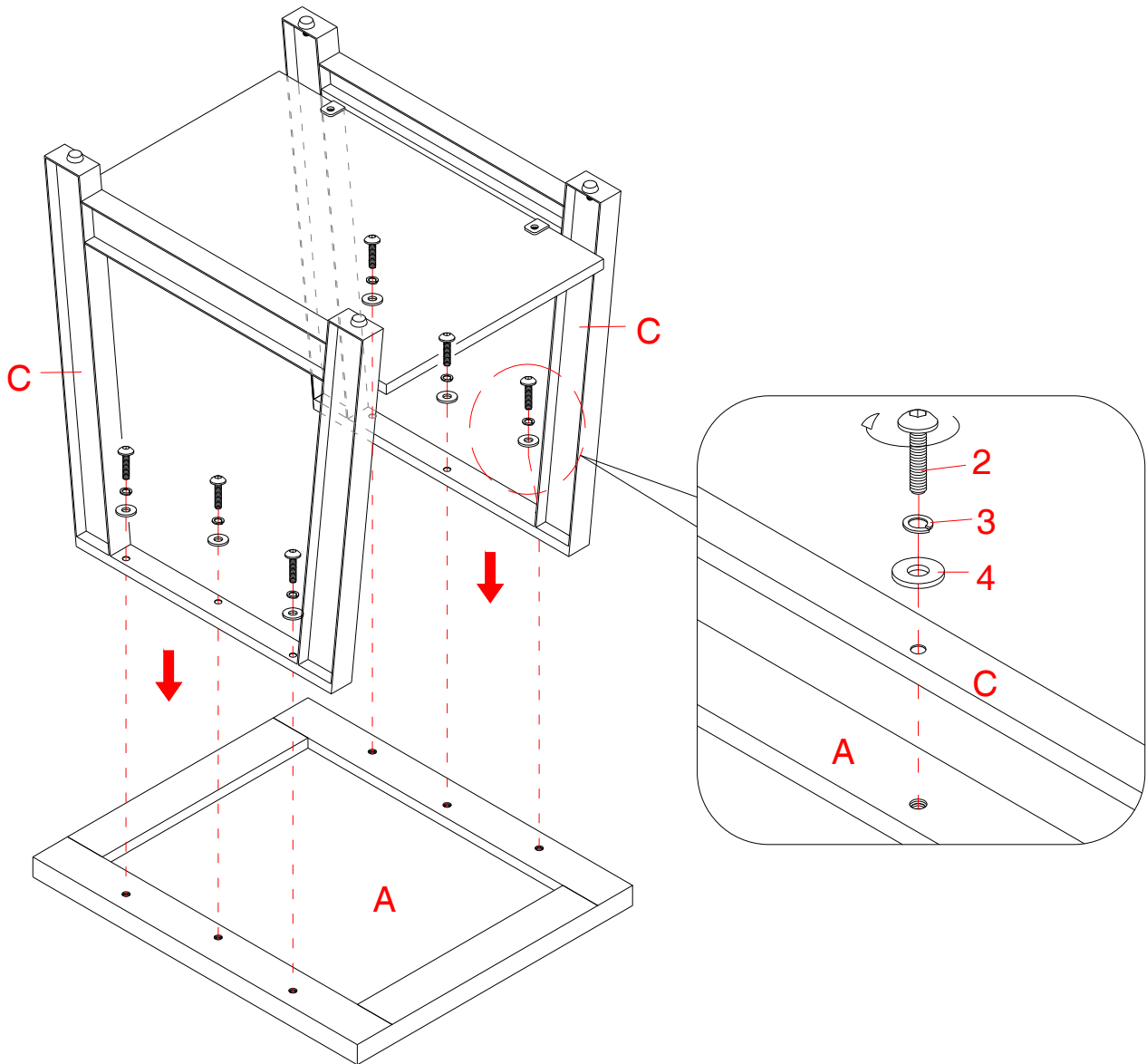


NOTE: Please do not fully tighten all bolts until you finish assembling all parts. Once assembled, go back and fully tighten all bolts. This will make the assembly easier.

1. Unpack the unit and confirm that you have all the hardware and required parts.
2. Position the Bottom Shelf (B) upside down on the carton or other support surface, as shown.
NOTE: Place a protective cover (like the bubble wrap packing material) over the carton or other support surface to prevent from scratching.
3. Align and attach two Legs (C) to the Bottom Shelf (B) by inserting the 5/8" Bolt (1) with Lock Washer (3) and Flat Washer (4) through each metal tab and screw into the threaded inserts on Bottom Shelf. **DO NOT** fully tighten the bolts in this step.

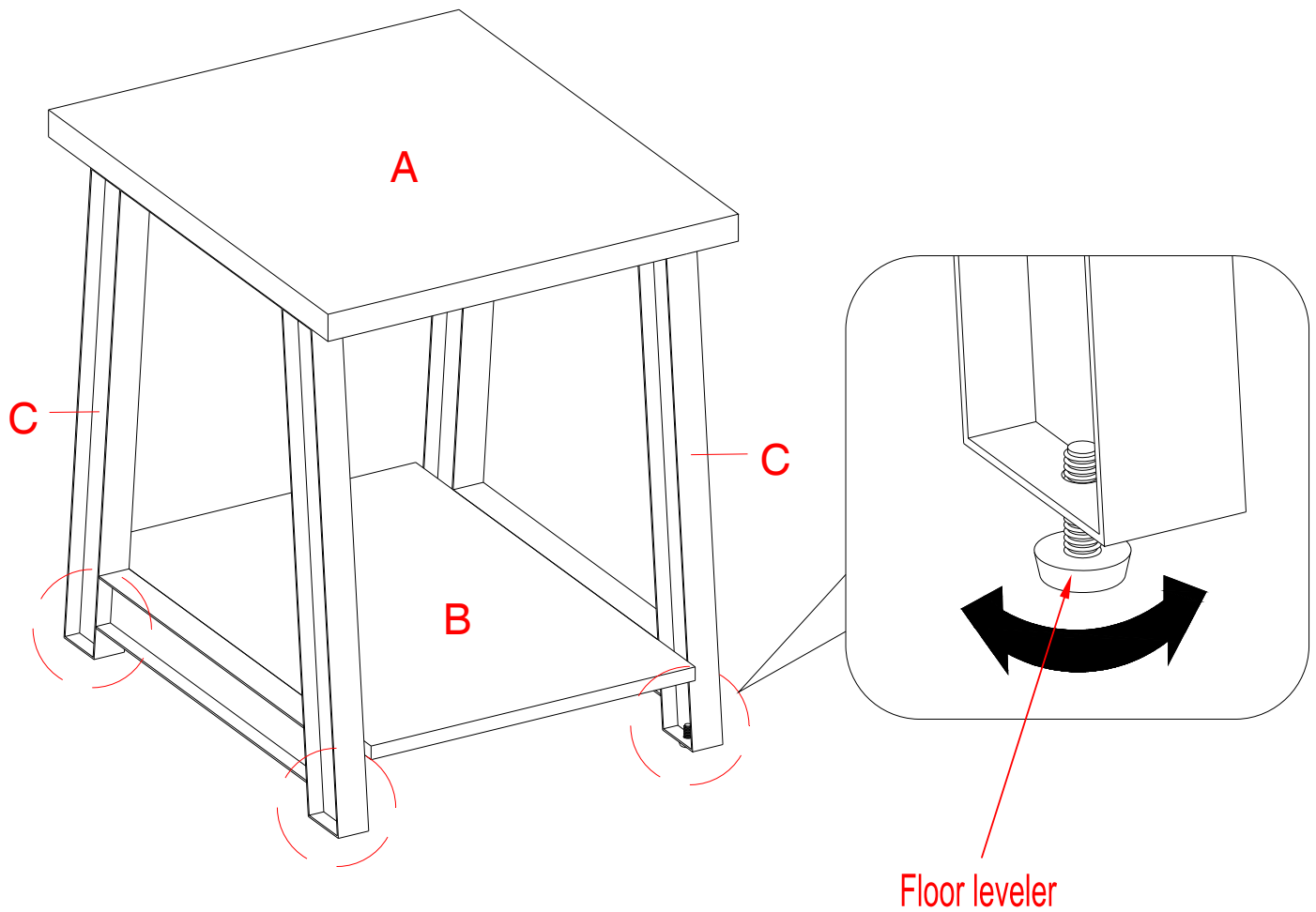
Please call for replacement parts or assistance: 1-866-942-5362

Assembly Instructions



4. Place the Top Panel (A) upside down on a level and protective surface with the threaded holes facing up.
5. Align and attach last assembly to the Top Panel (A) by using six 1-1/2" Bolts (2) and six Washers (3 and 4).

Assembly Instructions



6. Go back and tighten all bolts with the enclosed Allen wrench. Ask for assistance to lift the assembled table upright and position it at the desired location.
7. If necessary, adjust the pre-attached floor levelers at the bottom of Legs (C) to level the unit.

Care and Maintenance

- Use a soft, clean cloth that will not scratch the surface when dusting.
- Use of furniture polish is not necessary. Should you choose to use polish, test first in an inconspicuous area.
- Using solvents of any kind on your furniture may damage the finish.
- Never use water to clean your furniture as it may cause damage to the finish.
- Always use coasters under beverage glasses and flowerpots.
- Liquid spills should be removed immediately. Using a soft clean cloth, blot the spill gently. Avoid rubbing.
- Always use protective pads under hot dishes and plates. Heat can cause chemical changes that may create spotting within the furniture finish.
- Stains or marks from crayons or ink markers will be difficult to remove.
- In the event that your furniture is stained or otherwise damaged during use, we recommend that you call a professional to repair your furniture.
- Check bolts/screws periodically and tighten them if necessary.

Further advice about wood furniture care

It is best to keep your furniture in a climate-controlled environment. Extreme temperature and humidity changes can cause fading, warping, shrinking and splitting of wood. It is advised to keep furniture away from direct sunlight as sun may damage the finish.

Proper care and cleaning at home will extend the life of your purchase. Following these important and helpful tips will enhance your furniture as it ages.

A Touch-up Pen has been provided to repair any small nicks or scratches that may occur during assembly or shipping.

We hope you enjoy your purchase for many years.
Thank you for your purchasing!

QUALITY GUARANTEE

We are confident that you will be delighted with your Whalen Furniture purchase.

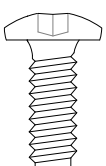
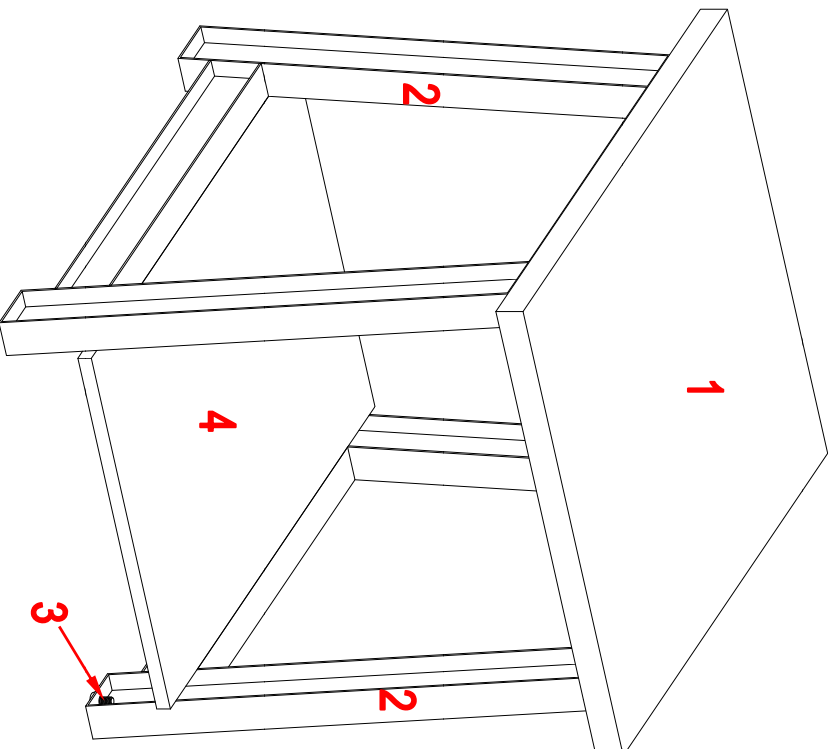
Should this product be defective in workmanship or materials or fail under normal use, we will repair or replace it for up to one (1) year from date of purchase. Every Whalen Furniture product is designed to meet your highest expectations. We guarantee that you will immediately see the value of our fine furniture.

This warranty gives you specific legal rights and you may also have other rights which vary from State to State.

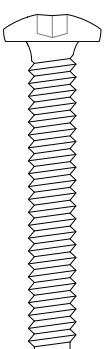
Customer Service: 1-866-942-5362
8:30 a.m. - 4:30 p.m., PST, Monday to Friday
www.whalenstyle.com

Please call for replacement parts or assistance: 1-866-942-5362

IF YOU NEED TO ORDER ANY REPLACEMENT PARTS, PLEASE USE THE LIST BELOW
Mercer Side Table (BH45-021-199-01)



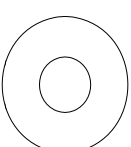
5



6



7



8



9



10

- *BH45-021-199-01-1-TP
- *BH45-021-199-01-2-L
- *BH45-021-199-01-3-FL
- *BH45-021-199-01-4-BS
- *BH45-021-199-01-5-5/8B
- *BH45-021-199-01-6-1 1/2B

- Top Panel
- Leg
- Floor Leveler
- Bottom Shelf
- 5/8" Bolt
- 1-1/2" Bolt

- *BH45-021-199-01-7-LW
- *BH45-021-199-01-8-FW
- *BH45-021-199-01-9-M4AW
- *BH45-021-199-01-10-TUP
- *BH45-021-199-01-CH

- Lock Washer
- Flat Washer
- 4 mm Allen Wrench
- Touch-up Pen
- Complete Hardware