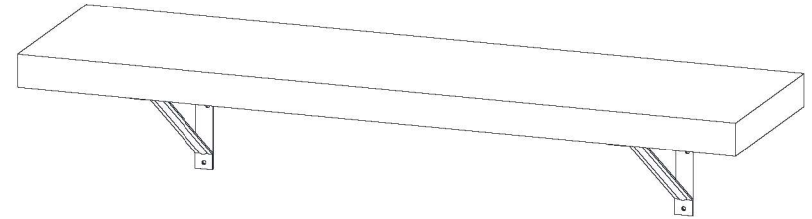


allen + roth

welcoming • sophisticated • inspiring



allen + roth® is a registered trademark of LF, LLC. All Rights Reserved.

ITEM #1144693, 1144695

Kitchen Shelf

MODEL #WSL24KSP,
WSL24KSPJ

Français p. 7

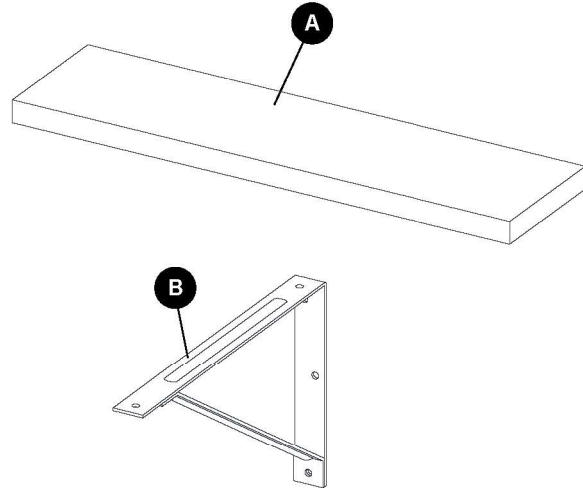
Español p. 13

ATTACH YOUR RECEIPT HERE

Serial Number _____ Purchase Date _____

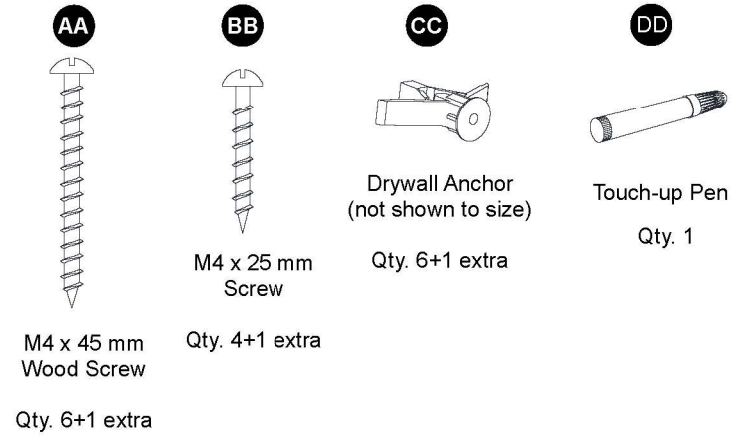
Questions, problems, missing parts? Before returning to your retailer, call our customer service department at 1-866-439-9800, 8 a.m. – 8 p.m., EST, Monday - Friday.

PACKAGE CONTENTS



PART	DESCRIPTION	QUANTITY
A	Shelf	1
B	Shelf Bracket	2

HARDWARE CONTENTS (shown not actual size)



SAFETY INFORMATION

Please read and understand this entire manual before attempting to assemble, operate or install the product.

WARNING

- Maximum weights indicated. Use with other products or products heavier than the maximum weights indicated may result in instability, causing possible injuries.
- Shelf maximum load: 10 lbs.

CAUTION

- Unit must be attached securely to the wall for safety and stability.

PREPARATION

Before beginning assembly of product, make sure all parts are present. Compare parts with package contents list and hardware contents list. If any part is missing or damaged, do not attempt to assemble the product.

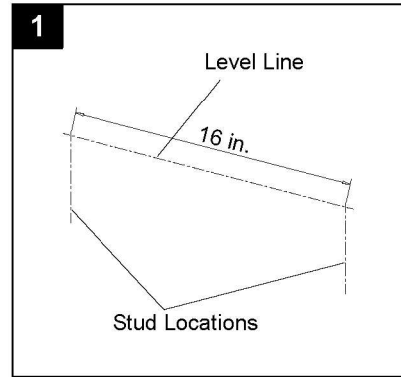
Estimated Assembly Time: 20 minutes

Tools Required for Assembly (not included): Stud finder, Phillips screwdriver, Power drill, 3/16 in. Drill Bit, 3/8 in. Drill Bit.

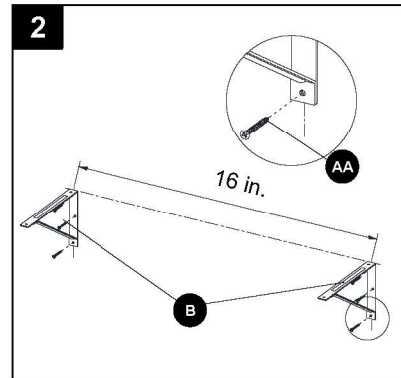
ASSEMBLY INSTRUCTIONS

Option #1

1. For wooden stud wall installations, Using a stud finder (not included), find 2 stud locations in the wall and mark them with a pencil (not included). Draw a level line at the desired installation height for shelf (A).



2. Secure shelf brackets (B) to the wall at marked stud locations with M4 x 45 mm wood screws (AA).

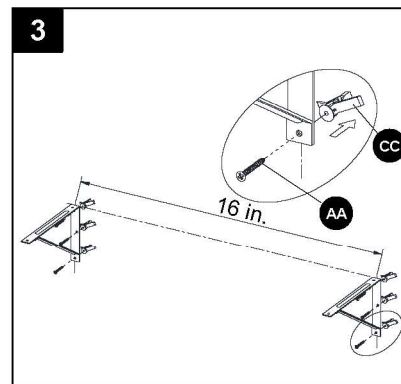


Hardware Used

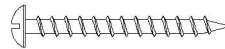
AA M4 x 45 mm Wood Screw  x 6

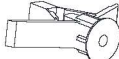
Option #2

3. For drywall installations, drill a 3/8 in. pilot hole and then marked location and insert drywall anchor (CC) until flush in the hole. Secure shelf brackets (B) to the wall over the anchor with M4 x 45 mm wood screws (AA).



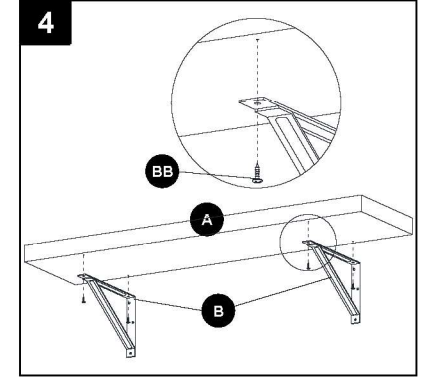
Hardware Used

AA M4 x 45 mm Wood Screw  x 6

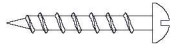
CC Drywall Anchor  x 6

ASSEMBLY INSTRUCTIONS

4. Attach shelf (A) to shelf brackets (B) from underneath using M4 x 25 mm screws (BB).



Hardware Used

BB M4 x 25 mm Screw  x 4

CARE AND MAINTENANCE

- Periodically check to make certain all components are properly positioned, free from damage and firmly connected.
- Use a soft, clean cloth that will not scratch the surface when dusting.
- Never use water to clean the furniture as it may damage to the finish.
- Wipe clean using a damp cloth and a mild cleaner. Wipe dry with a clean cloth.
- In the event the furniture is stained or otherwise damaged during use, it is recommended you call a professional to repair the furniture.
- Keep product away from direct sunlight as it may damage the finish.
- It is best to keep the furniture in a climate-controlled environment. Extreme temperature and humidity changes can cause fading, warping, shrinking and splitting of wood.
- Tips for using touch-up pen (DD): For scratches, stroke in direction of scratch; for worn areas, stroke in direction of wood grain. Rub excess colorant promptly with a soft cloth.

TROUBLESHOOTING

PROBLEM	POSSIBLE CAUSE	CORRECTIVE ACTION
The shelf is tilting.	The shelf brackets are not installed at the same level.	Use a quality level to ensure the brackets are level with each other.

LIMITED LIFETIME WARRANTY

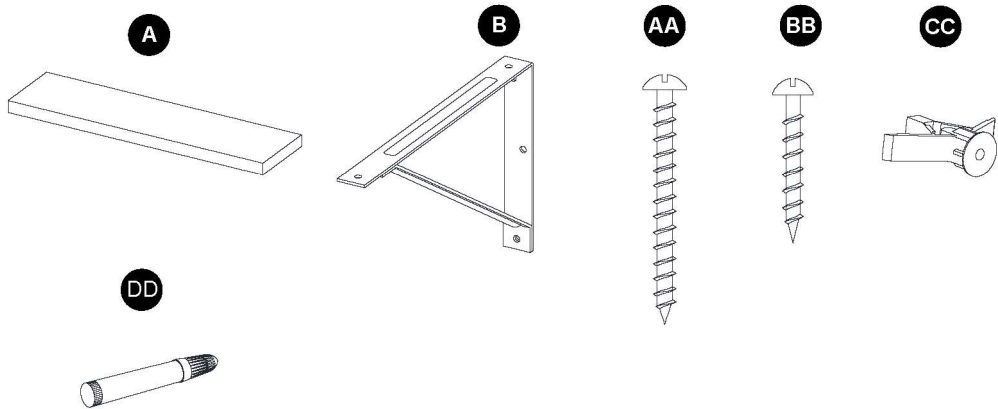
This product is warranted to the original purchaser. If there is a failure in this unit due to defects in materials or workmanship, the manufacturer will repair or replace this item at our discretion without charge. Warranty is void if product has been assembled incorrectly, misused, abused by overloading, altered in any way or damaged due to accident. This warranty is not transferable and does not cover chipping, flaking, scratches, rust, dents, or other damages to the surfaces of this product. Responsibility of the manufacturer is limited to repair or replacement of this product. The manufacturer is not responsible for consequential, incidental, or other damages or losses resulting from product failure.

This warranty is in lieu of all other expressed warranties. Some states do not allow the exclusion or limitation of incidental or consequential damages, so the above limitation may not apply to you. This warranty gives you specific legal rights and you may have other rights which vary from state to state.

REPLACEMENT PARTS LIST

For replacement parts, call our customer service department at 1-866-439-9800, 8 a.m. - 8 p.m., EST, Monday - Friday.

PART	DESCRIPTION	PART #
A	Shelf	*WSL24KSP/WSL24KSPJ-1-S
B	Shelf Bracket	*WSL24KSP/WSL24KSPJ-2-SB
AA	M4 x 45 mm Wood Srew	*WSL24KSP/WSL24KSPJ-3-45WS
BB	M4 x 25 mm Wood Srew	*WSL24KSP/WSL24KSPJ-4-25WS
CC	Drywall Anchor	*WSL24KSP/WSL24KSPJ-5-DA
DD	Touch-up Pen	*WSL24KSP/WSL24KSPJ-6-TP
	Complete Hardware	*WSL24KSP/WSL24KSPJ-7-CH



Printed in Vietnam

Lowe.com/allenandroth **allen + roth**