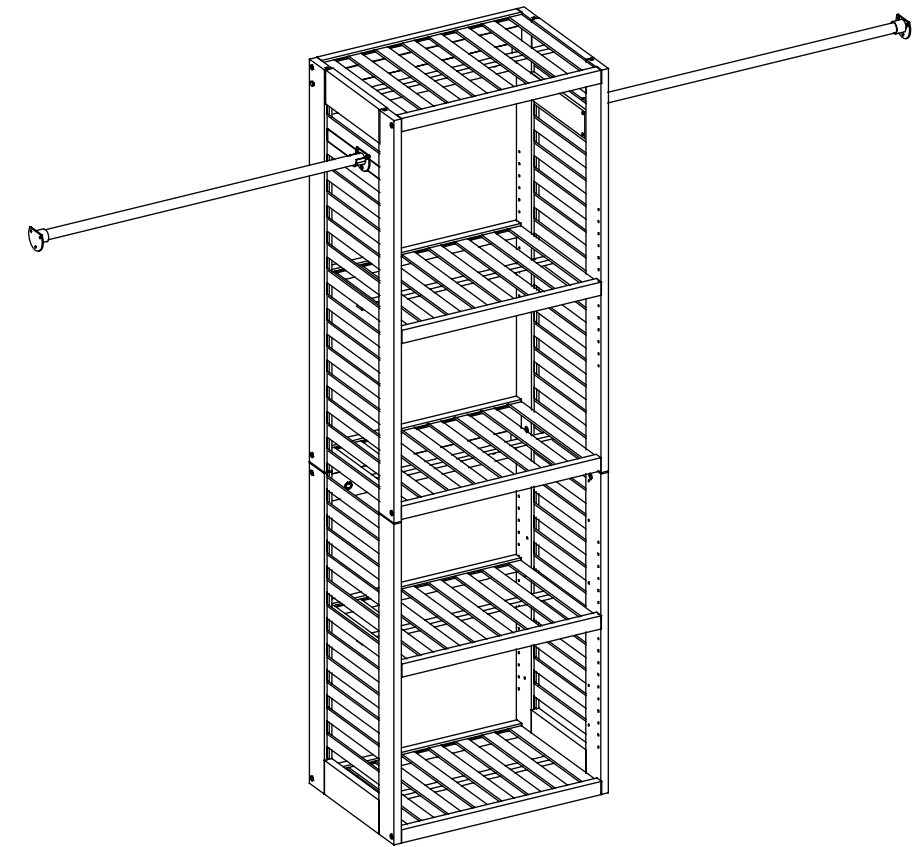


allen + roth®

welcoming • sophisticated • inspiring



allen + roth® is a registered trademark of LF, LLC. All Rights Reserved.

ITEM #1465190, 1465191, 1465192

## VENTILATED CLOSET KIT

MODEL #LWSVCKJ, LWSVCKW, LWSVCKG

ATTACH YOUR RECEIPT HERE

Français p. 13

Español p. 25

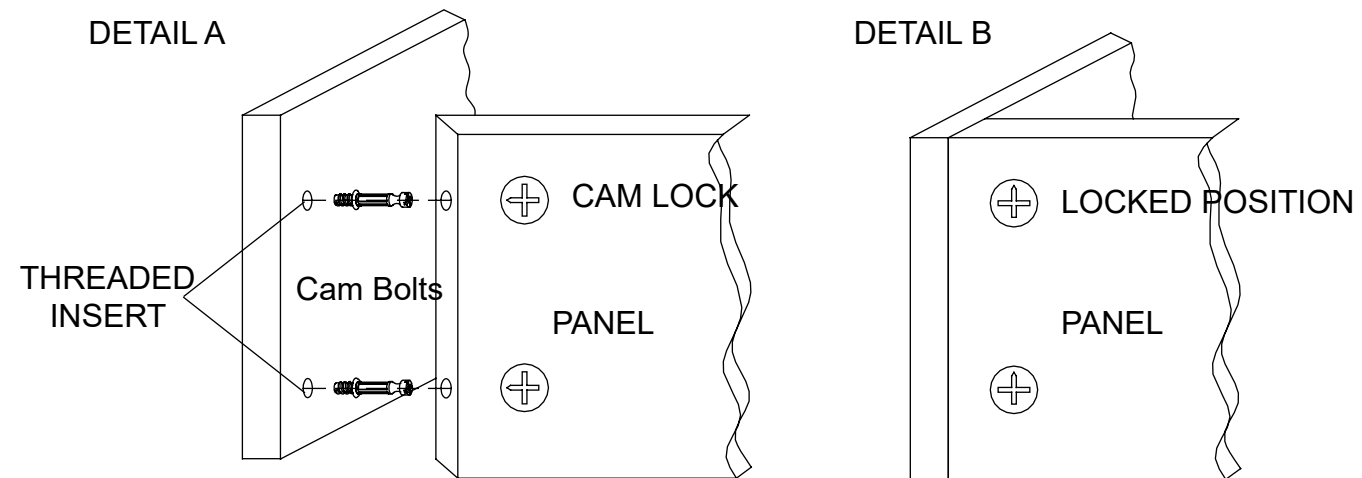
Serial Number \_\_\_\_\_ Purchase Date \_\_\_\_\_

**Questions, problems, missing parts?** Before returning to your retailer, call our customer service department at 1-866-439-9800, 8 a.m. - 8 p.m., EST, Monday - Friday.

## TABLE OF CONTENTS

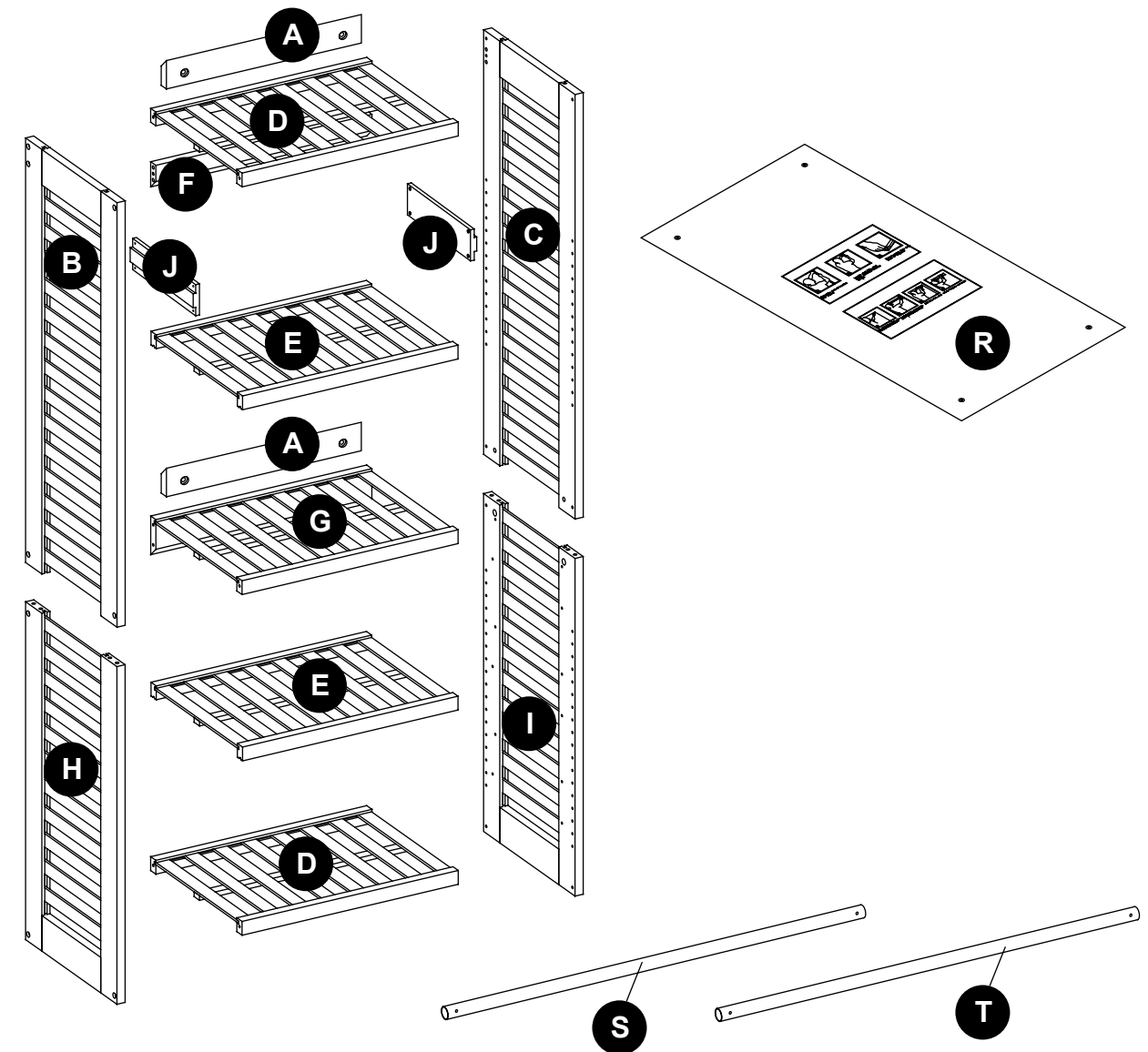
Cam Lock System Operation.....	2
Package Contents.....	3
Hardware Contents.....	4
Safety Information.....	5
Preparation .....	5
Assembly or Installation Instructions .....	6
Care and Maintenance .....	9
Troubleshooting.....	10
Warranty.....	10
Replacement Parts List .....	11

## CAM LOCK SYSTEM OPERATION



1. Screw cam bolts into the predrilled small holes on panel.
2. Insert cam lock into predrilled large hole on panel.
3. Make sure the arrow on the cam lock is pointed toward the cam bolts.
4. Connect both panels together, making sure cam bolts goes into predrilled hole on the end of panel with cam lock.
5. Once cam bolts is connected inside cam lock, take Phillips screwdriver and tighten cam lock clockwise.

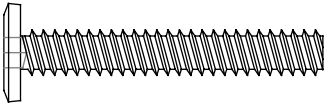
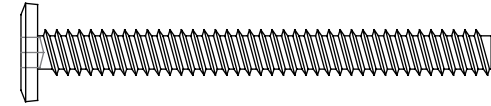
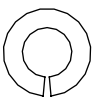
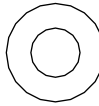
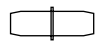
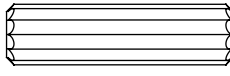

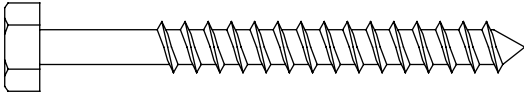
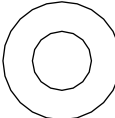

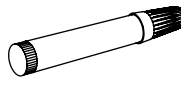
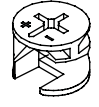
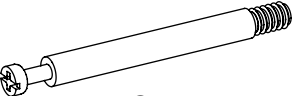
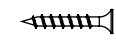
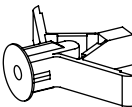
## PACKAGE CONTENTS




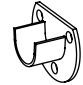
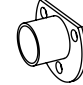
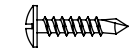
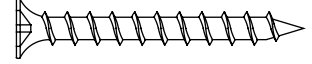
PART	DESCRIPTION	QUANTITY
A	Wall Hanging Cleat	2
B	Upper Left Side Panel	1
C	Upper Right Side Panel	1
D	Top/Bottom Fixed Shelf	2
E	Adjustable Shelf	2
F	Mounting Cleat	1
G	Middle Fixed Shelf	1
H	Lower Left Side Panel	1
I	Lower Right Side Panel	1
J	Wood Support	2

PART	DESCRIPTION	QUANTITY
R	Installation Template	1
S	25 mm Metal Pole	2
T	22 mm Metal Pole	2

**HARDWARE CONTENTS** (not shown to size)

<b>AA</b> 	<b>BB</b> 	<b>CC</b> 	<b>DD</b> 
M6 x 40 mm Bolt	M6 x 60 mm Bolt	Lock Washer	Small Flat Washer
Qty. 14	Qty. 2	Qty. 16	Qty. 16
<b>EE</b> 	<b>FF</b> 	<b>GG</b> 	<b>HH</b> 
Shelf Pin	Large Wood Dowel	Barrel Nut	M8x 2-1/2 in. Lag Bolt
Qty. 8	Qty. 8	Qty. 6	Qty. 4
<b>II</b> 	<b>JJ</b> 	<b>KK</b> 	<b>LL</b> 
Large Flat Washer	Hex Wrench	Touch-up Pen (not included for Item #1465191, 1465192)	Large Cam Lock
Qty. 4	Qty. 1	Qty. 1	Qty. 4
<b>MM</b> 	<b>NN</b> 	<b>OO</b> 	
Large Cam Bolt	M3.5 x 12 mm Wood Screw	Wall Anchor (not included)	
Qty. 4	Qty. 8	Qty. 6	

**HARDWARE CONTENTS** (for pole kit)

<b>VB</b> 	<b>YO</b> 	<b>YC</b> 	<b>YY</b> 	<b>ZZ</b> 
M4 x 14 mm Zinc Wood Screw	Open Pole Holder	Closed Pole Holder	M4 x 15 mm Self-tapping Screw	M4 x 38 mm Zinc Screw
Qty. 6	Qty. 2	Qty. 2	Qty. 4	Qty. 6

**! SAFETY INFORMATION**

Please read and understand this entire manual before attempting to assemble, operate or install the product.

- Do not allow children to climb or play in or around this product.
- Use this unit for its intended purpose only. Do not use shelves as step ladder.
- To avoid damage, assemble the product on a sturdy, level and protective surface.
- Two or more persons must work together to install the unit onto the wall.
- Make sure all bolts/screws are tightly fastened before the unit is used.
- Check bolts/screws periodically and tighten them if necessary.
- Shelf maximum load: 30 lbs.
- Pole maximum load: 40 lbs.
- Pole maximum length: 60 in.

**! WARNING**

THIS UNIT IS INTENDED FOR USE ONLY WITH THE MAXIMUM WEIGHTS INDICATED. USE WITH PRODUCTS HEAVIER THAN THE MAXIMUM WEIGHTS INDICATED MAY RESULT IN INSTABILITY CAUSING POSSIBLE INJURY. DISTRIBUTE WEIGHT EVENLY.

**PREPARATION**

Before beginning assembly of product, make sure all parts are present. Compare parts with package contents list and hardware contents list. If any part is missing or damaged, do not attempt to assemble the product.

**Estimated Assembly Time:** 120 minutes

Tools Required for Assembly (not included): Phillips Screwdriver, Power Drill, 3/16 in. Drill Bit, 3/8 in. Drill Bit, 1/2 in. Socket Wrench, Level, Stud Finder, Marking Pencil, Tape Measure, Step Ladder, and Hammer.

## ASSEMBLY INSTRUCTIONS

1. Insert large wood dowels (FF) into mounting cleats (F).

### Hardware Used

**FF** Large Wood Dowel  x 4

2. Insert barrel nuts (GG), large wood dowels (FF) and large cam bolts (MM) into upper left side panel (B) and upper right side panel (C) as shown. Then, attach upper left side panel (B) and upper right side panel (C) to lower left side panel (H) and lower right side panel (I). Insert large cam locks (LL) into lower left side panel (H) and lower right side panel (I) to secure panel assembly.

### Hardware Used

**FF** Large Wood Dowel  x 4

**GG** Barrel Nut  x 4

**LL** Large Cam Lock  x 4

**MM** Large Cam Bolt  x 4

3. Insert barrel nut (GG) into mounting cleat (F). Secure mounting cleat (F), beveled edge down, to upper right side panel (C) and lower right side panel (I) where shown with lock washers (CC), small flat washers (DD) and M6 x 60 mm bolts (BB). Then, attach the middle fixed shelf (G) and top/bottom fixed shelf (D) to upper right side panel (C) and lower right side panel (I) with lock washers (CC), small flat washers (DD) and M6 x 40 mm bolts (AA). Tighten all connections with hex wrench (JJ).

### Hardware Used


**AA** M6 x 40 mm Bolt  x 7

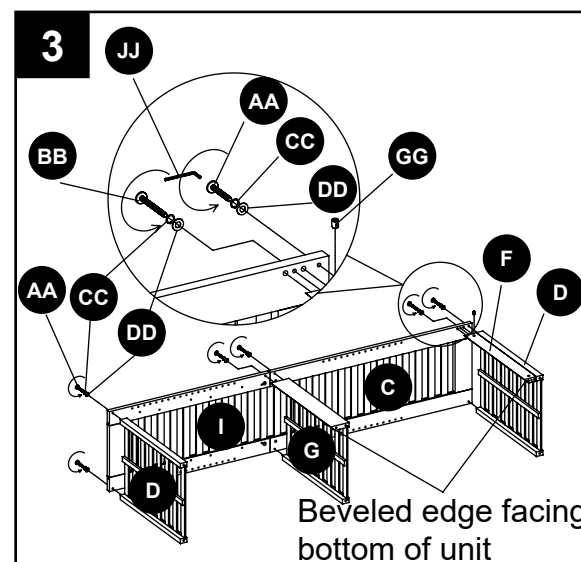
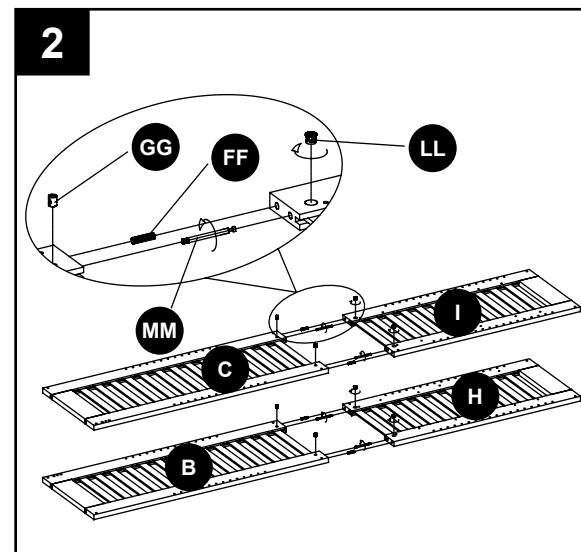
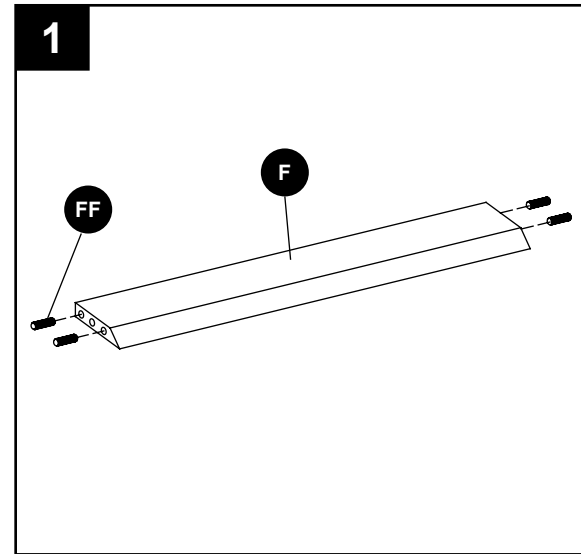
**BB** M6 x 60 mm Bolt  x 1

**CC** Lock Washer  x 8

**DD** Small Flat Washer  x 8

**GG** Barrel Nut  x 1

**JJ** Hex Wrench  x 1

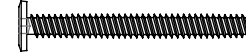


## ASSEMBLY INSTRUCTIONS


4. Repeat step 3 for upper left side panel (B) and lower left side panel (H).

### Hardware Used

**AA** M6 x 40 mm Bolt  x 7

**BB** M6 x 60 mm Bolt  x 1

**CC** Lock Washer  x 8

**DD** Small Flat Washer  x 8

**GG** Barrel Nut  x 1

**JJ** Hex Wrench  x 1

5. Set assembly upright. Insert shelf pins (EE) level where desired in tower, then rest adjustable shelves (E) on top.

**Note:** Ensure the shelf pins (EE) are level.

### Hardware Used


**EE** Shelf Pin  x 8


6. Using a stud finder (not included), locate the edges of the wood studs. Find the center line of each stud and draw a vertical reference line on the wall over each one. Position installation template (R) at desired location on wall.

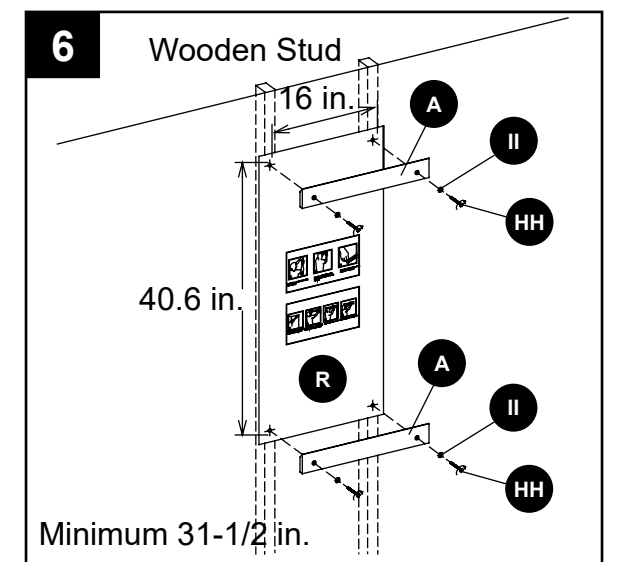
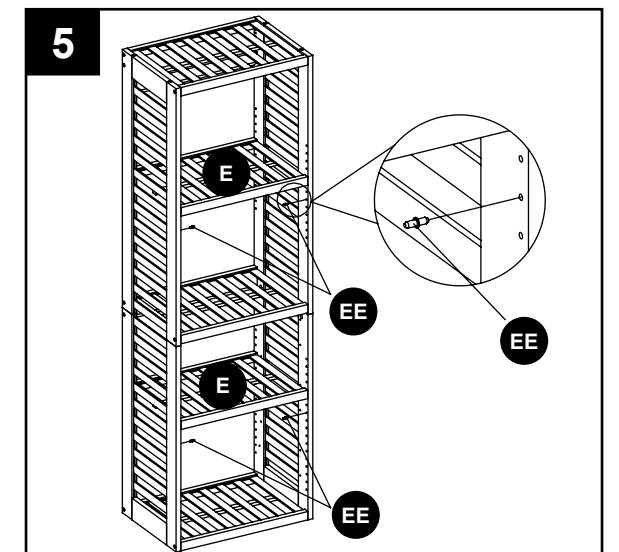
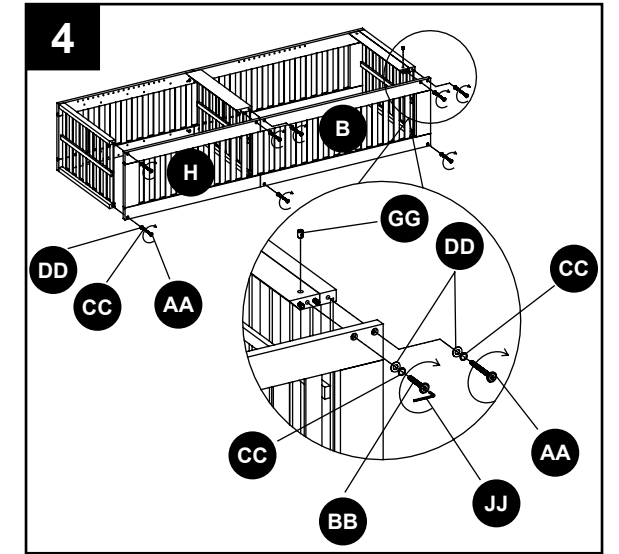
**Note:** The bottom of the installation template (R) should be no less than 31-1/2 in. from the floor.

Mark mounting holes with a pencil (not included) and discard installation template (R). Drill 3/16 in. pilot holes at marked locations. Then, with the beveled edge facing up, attach the wall hanging cleats (A) with large flat washers (II) and M8 x 2-1/2 in. lag bolts (HH).

### Hardware Used

**HH** M8 x 2-1/2 in. Lag Bolt  x 4

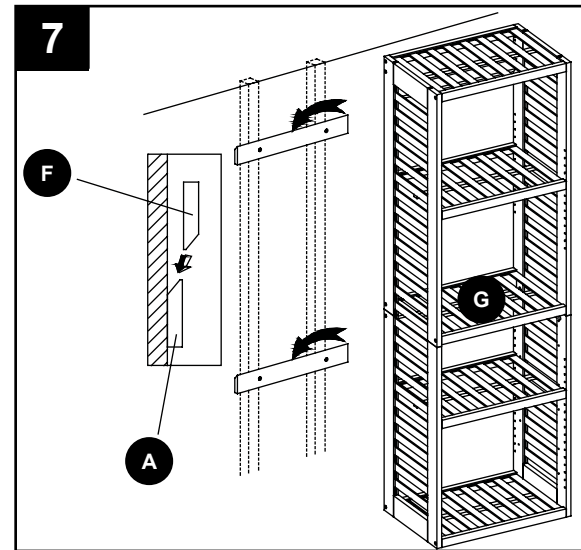
**II** Large Flat Washer  x 4





## ASSEMBLY INSTRUCTIONS

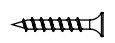
7. With the help from another person, carefully hang the unit from mounting cleats (F) & middle fixed Shelf (G) onto wall hanging cleats (A).

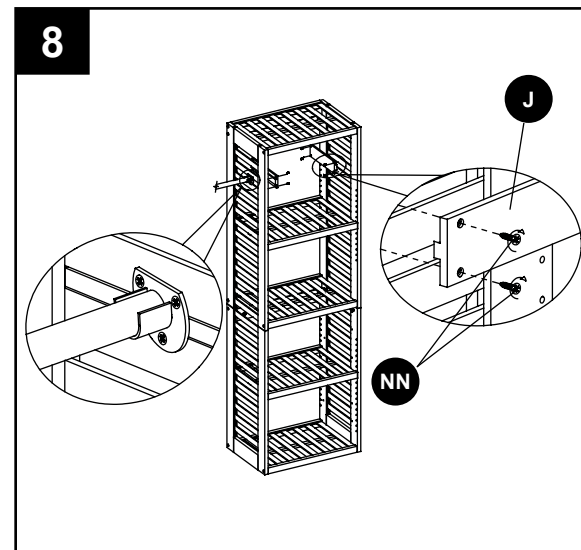


8. If you intend to install the Expandable Pole, attach wood supports (J) on the inside of upper left side panel (B) and/ or upper right side panel (C) using wood screws (NN).

**Note:** The expandable pole should be installed to the middle of wood support (J).

### Hardware Used

**NN** M3.5 x 12 mm Wood Screw  x 8



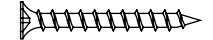
9. Insert 22 mm metal poles (T) into 25 mm metal poles (S). Using closed pole holders (YC) as a guide, mark screw hole locations with a pencil. Drill 3/8 in. diameter pilot holes at least 2-1/2 in. deep at marked locations, then insert drywall anchors (OO) (not included) into the holes. Attach closed pole holders (YC) with M4 x 38 mm zinc screws (ZZ). Insert 25 mm metal poles (S) into closed pole holders (YC), securing with M4 x 15 mm self-tapping screws (YY).

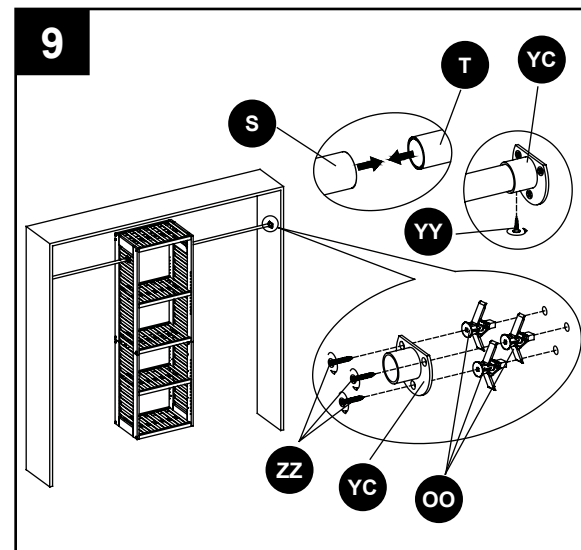
**Note:** Drywall anchors are not required if installing into a stud.

### Hardware Used

**YC** Closed Pole Holder  x 2

**YY** M4 x 15 mm Self-tapping Screw  x 2

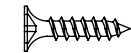
**ZZ** M4 x 38 mm Zinc Screw  x 6




## ASSEMBLY INSTRUCTIONS

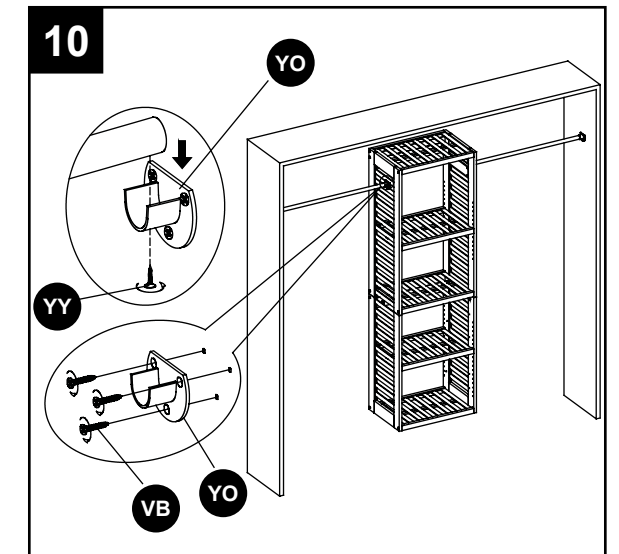
10. Attach open pole holders (YO) to upper left side panel (A) and upper right side panel (B), with M4 x 14 mm zinc wood screws (VB). Insert 22 mm metal poles (Q) into open pole holders (YO), securing with M4 x 15 mm self-tapping screws (YY).

### Hardware Used

**VB** M4 x 14 mm Zinc Wood Screw  x 6

**YO** Open Pole Holder  x 2

**YY** M4 x 15 mm Self-tapping Screw  x 2



## CARE AND MAINTENANCE

- Periodically check to make certain all components are properly positioned, free from damage and firmly connected.
- Use a soft, clean cloth that will not scratch the surface when dusting.
- Never use water to clean the furniture as it may cause damage to the finish.
- Wipe clean using a damp cloth and a mild cleaner. Wipe dry with a clean cloth.
- In the event that the furniture is stained or otherwise damaged during use, it is recommended you call a professional to repair the furniture.
- Keep furniture away from direct sunlight as it may damage the finish.
- It is best to keep the furniture in a climate-controlled environment. Extreme temperature and humidity changes can cause fading, warping, shrinking and splitting of wood.
- Touch-up pen (KK) has been provided (except in Item #1465191, 1465192) to repair any small nicks or scratches that may occur during assembly or shipping.
- If Item #1465191, 1465192 is damaged and touch-up is required please apply a quality wood polish to the damaged surface. Polish not included with this item.

## TROUBLESHOOTING

PROBLEM	POSSIBLE CAUSE	CORRECTIVE ACTION
One end of metal pole does not rest properly onto the open pole holder (YO).	The opening of open pole holder does not face upward vertically.	Use a quality level to ensure the flat edge of the open pole holder is level while installing.
The pole kit is tilting.	The open and closed pole holders are not installed at the same level.	Use a quality level to ensure the pole holders are level with each other.
Screw went through side panel.	Used M4 x 38 mm wood screws for attaching pole holder onto the side of cabinet.	Use M4 x 14 mm wood screws.
Ventilated closet tower tilted.	The wall hanging cleats are not level.	Reinstall the wall hanging cleats and ensure they are level.
Ventilated closet tower can not hang on the wall.	The mounting hole locations are not correct.	Reinstall wall hanging cleats; make sure the space between two wall hanging cleats is 40.6 in. and the bottom two mounting holes location is no less than 31-1/2 in. from the floor.

## WARRANTY

This product (exclusive of shelves) is warranted to the original purchaser. If there is a failure in this unit due to defects in materials or workmanship, the manufacturer will repair or replace this item at our discretion without charge. Warranty is void if product has been assembled incorrectly, misused, abused by overloading, altered in any way or damaged due to accident. This warranty is not transferable and does not cover chipping, flaking, scratches, rust, dents, or other damages to the surfaces of this product. Responsibility of the manufacturer is limited to repair or replacement of this product. The manufacturer is not responsible for consequential, incidental, or other damages or losses resulting from product failure.

This warranty is in lieu of all other expressed warranties. Some states do not allow the exclusion or limitation of incidental or consequential damages, so the above limitation may not apply to you. This warranty gives you specific legal rights and you may have other rights which vary from state to state.

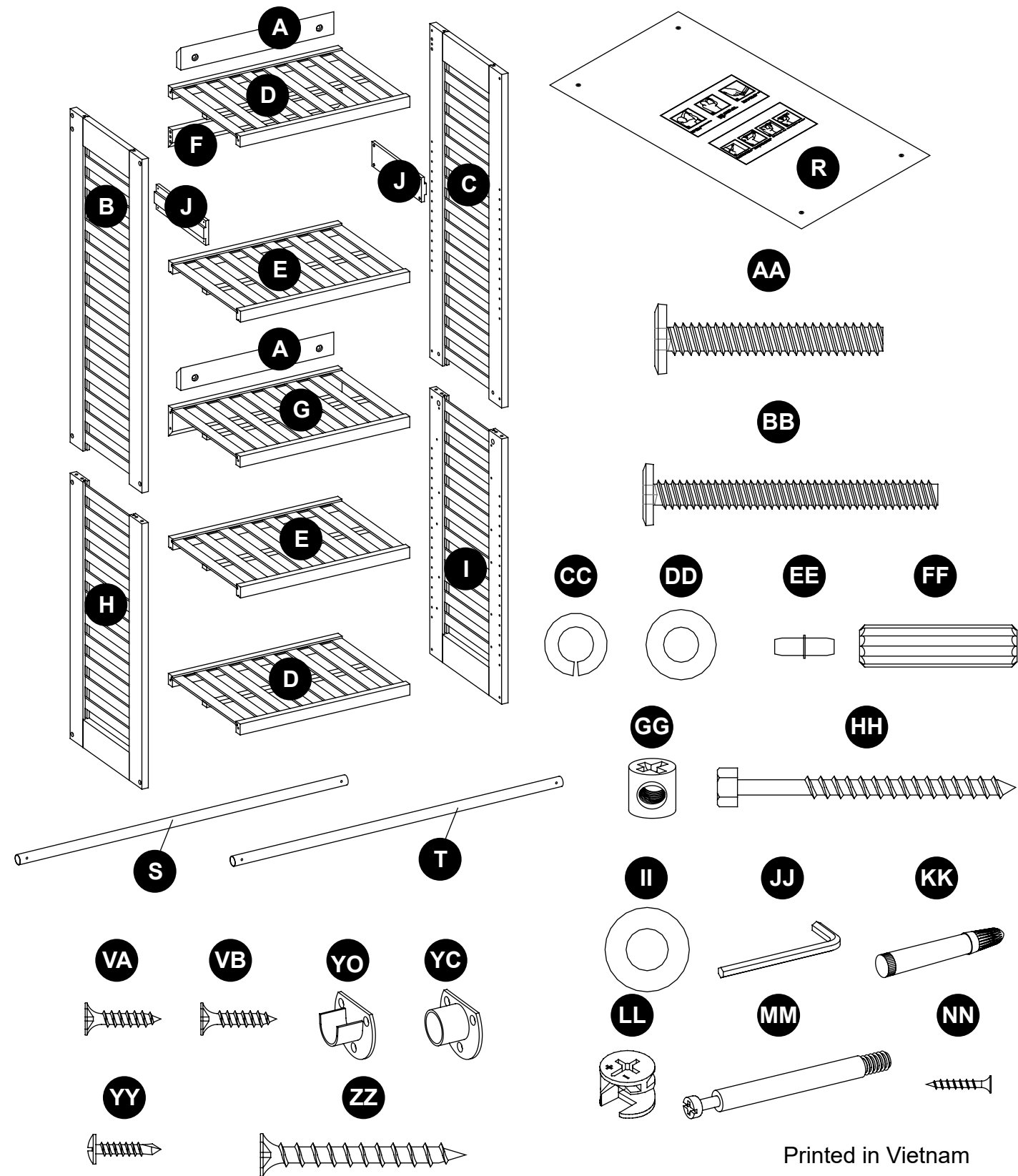
## REPLACEMENT PARTS LIST

For replacement parts, call our customer service department at 1-866-439-9800, 8 a.m. - 8 p.m., EST, Monday - Friday.

PART	DESCRIPTION	PART #
A	Wall Hanging Cleat	*LWSVCKJ/W/G-1-WHC
B	Upper Left Side Panel	*LWSVCKJ/W/G-2-ULSP
C	Upper Right Side Panel	*LWSVCKJ/W/G-3-URSP
D	Top/Bottom Fixed Shelf	*LWSVCKJ/W/G-4-T/BFS
E	Adjustable Shelf	*LWSVCKJ/W/G-5-AS
F	Mounting Cleat	*LWSVCKJ/W/G-6-MC
G	Middle Fixed Shelf	*LWSVCKJ/W/G-7-MFS
H	Lower Left Side Panel	*LWSVCKJ/W/G-8-LLSP
I	Lower Right Side Panel	*LWSVCKJ/W/G-9-LRSP
J	Wood Support	*LWSVCKJ/W/G-10-WS
R	Installation Template	*LWSVCKJ/W/G-11-IT
S	25 mm Metal Pole	*LWSVCKJ/W/G-12-25MP
T	22 mm Metal Pole	*LWSVCKJ/W/G-13-22MP
AA	M6 x 40 mm Bolt	*LWSVCKJ/W/G-14-MB
BB	M6 x 60 mm Bolt	*LWSVCKJ/W/G-15-MB
CC	Lock Washer	*LWSVCKJ/W/G-16-LW
DD	Small Flat Washer	*LWSVCKJ/W/G-17-SFW
EE	Shelf Pin	*LWSVCKJ/W/G-18-SP
FF	Large Wood Dowel	*LWSVCKJ/W/G-19-LWD
GG	Barrel Nut	*LWSVCKJ/W/G-20-BN
HH	M8 x 2-1/2 in. Lag Bolt	*LWSVCKJ/W/G-21-MLB
II	Large Flat Washer	*LWSVCKJ/W/G-22-LFW
JJ	Hex Wrench	*LWSVCKJ/W/G-23-HW
KK	Touch-up Pen	*LWSVCKJ-24-TP
LL	Large Cam Lock	*LWSVCKJ/W/G-25-LCL
MM	Large Cam Bolt	*LWSVCKJ/W/G-26-LCB
NN	M3.5 x 12 mm Wood Screw	*LWSVCKJ/W/G-27-MWS
VA	M4 x 14 mm Wood Screw	*LWSVCKJ/W/G-28-MWS
VB	M4 x 14 mm Zinc Wood Screw	*LWSVCKJ/W/G-29-MZWS
YO	Open Pole Holder	*LWSVCKJ/W/G-30-OPH
YC	Closed Pole Holder	*LWSVCKJ/W/G-31-CPH
YY	M4 x 15 mm Self-tapping Screw	*LWSVCKJ/W/G-32-MSS
ZZ	M4 x 38 mm Zinc Screw	*LWSVCKJ/W/G-33-MZS
	Complete Hardware	*LWSVCKJ/W/G-34-CH

**REPLACEMENT PARTS LIST**

For replacement parts, call our customer service department at 1-866-439-9800, 8 a.m. - 8 p.m., EST, Monday - Friday.



Printed in Vietnam

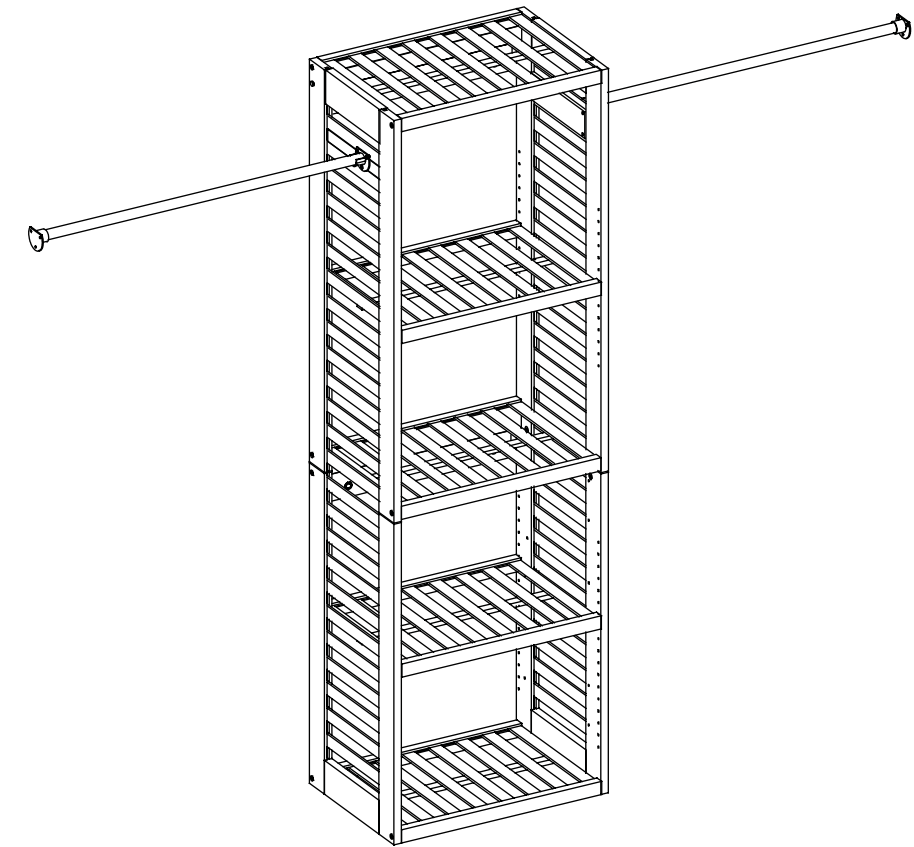
allen + roth® is a registered trademark of LF, LLC. All Rights Reserved.

Lowes.com/allenandroth allen + roth

Date: 2019-08-19 Rev. 0001-A

allen + roth®

welcoming • sophisticated • inspiring



allen + roth® est une marque de commerce déposée de LF, LLC. Tous droits réservés.

ARTICLE #1465190, 1465191, 1465192

## ENSEMBLE POUR LE PLACARD AJOURÉ

MODÈLE #LWSVCKJ, LWSVCKW, LWSVCKG

JOIGNEZ VOTRE REÇU ICI

Numéro de série \_\_\_\_\_ Date d'achat \_\_\_\_\_

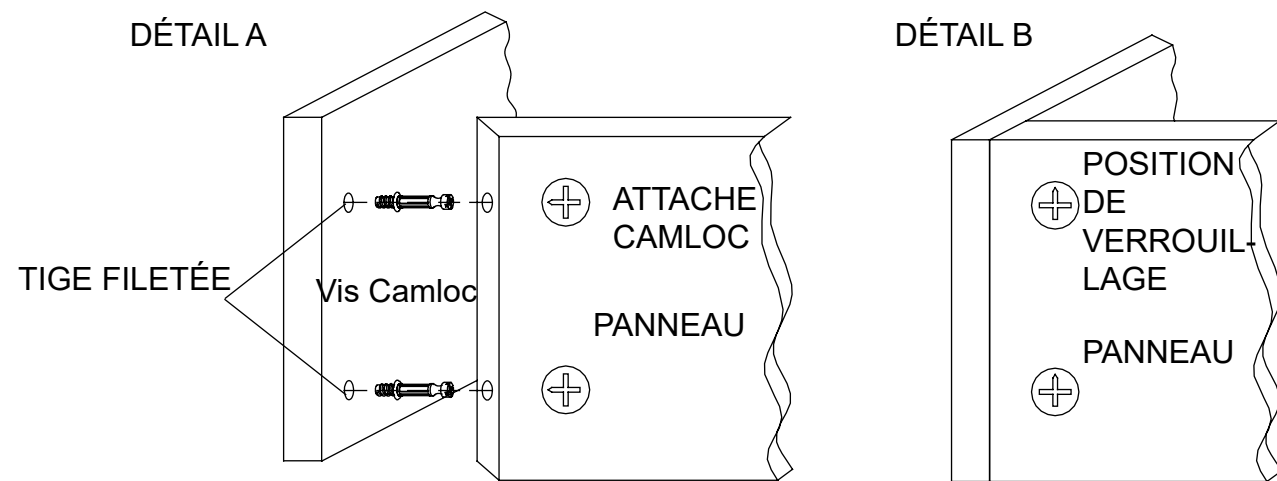
**Des questions, des problèmes, des pièces manquantes?** Avant de retourner l'article au détaillant, appelez notre service à la clientèle au 1 866 439-9800, entre 8 h et 20 h (HNE), du lundi au vendredi.



## TABLE DES MATIÈRES

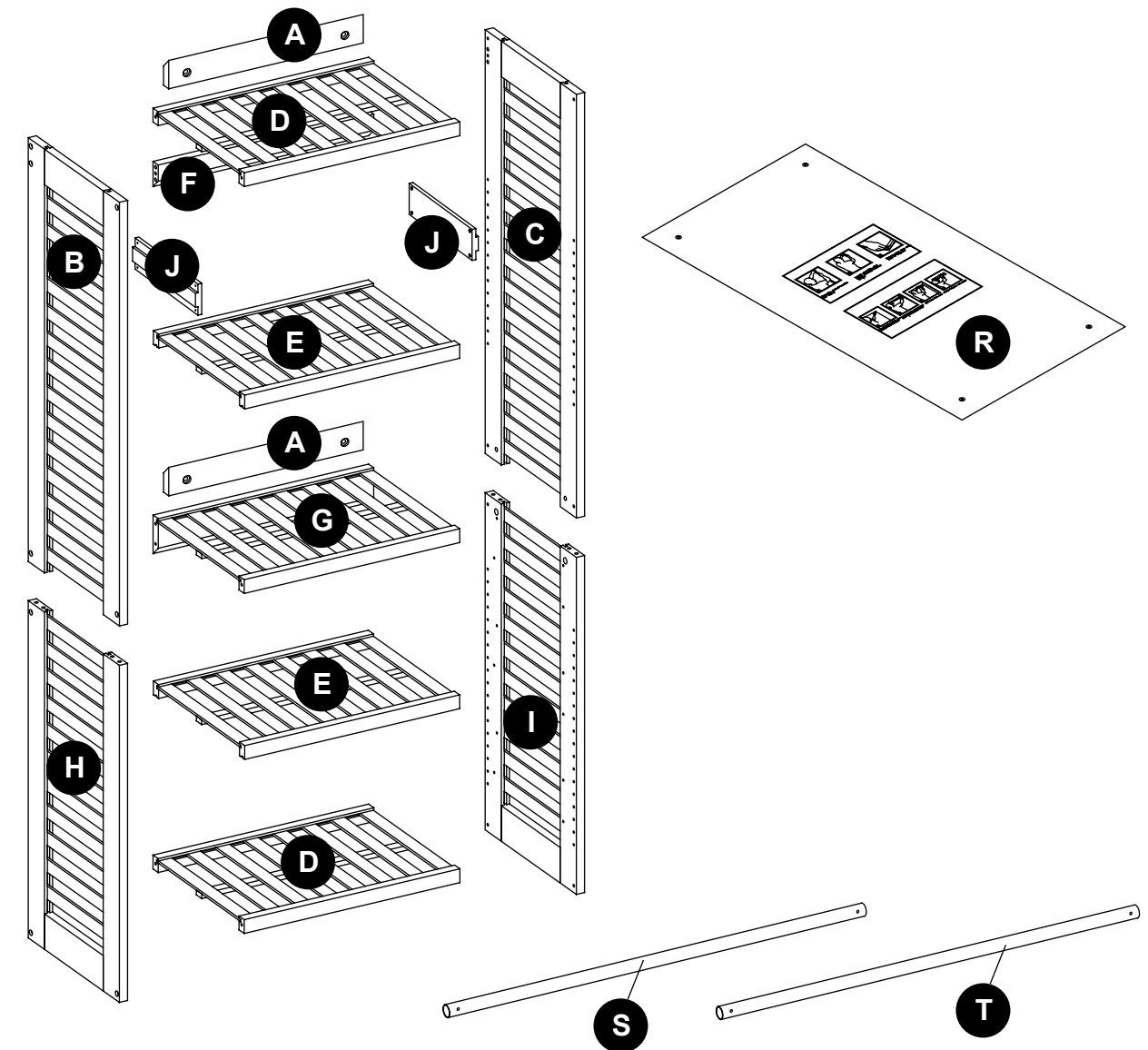
Fonctionnement du système Camloc.....	14
Contenu de l'emballage.....	15
Quincaillerie incluse.....	16
Consignes de sécurité.....	17
Préparation.....	17
Instructions pour l'assemblage ou l'installation.....	18
Entretien.....	21
Dépannage.....	22
Garantie.....	22
Liste des pièces de rechange.....	23

## FONCTIONNEMENT DU SYSTÈME CAMLOC



1. Vissez les vis Camloc dans les petits trous déjà percés sur le panneau.
2. Insérez les attaches Camloc dans les grands trous déjà percés sur le panneau.
3. Assurez-vous que les flèches sur les attaches Camloc pointent vers les vis Camloc.
4. Reliez les deux panneaux ensemble, en vous assurant que les vis Camloc s'insèrent correctement dans les trous déjà percés situés à l'extrémité du panneau sur lequel sont installées les attaches Camloc.
5. Une fois les vis Camloc insérées dans les attaches Camloc, serrez les attaches Camloc dans le sens des aiguilles d'une montre à l'aide d'un tournevis cruciforme.

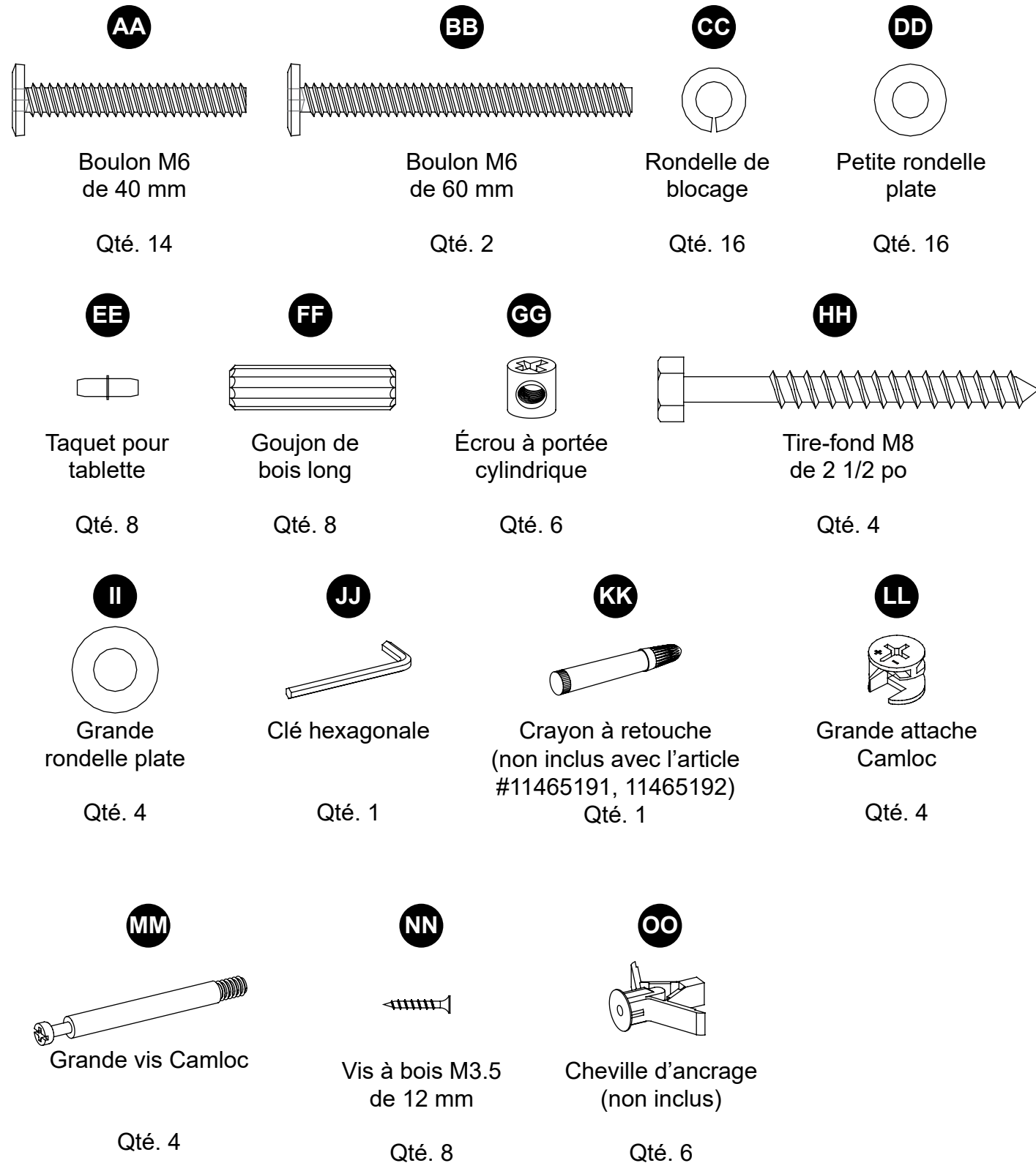
## CONTENU DE L'EMBALLAGE



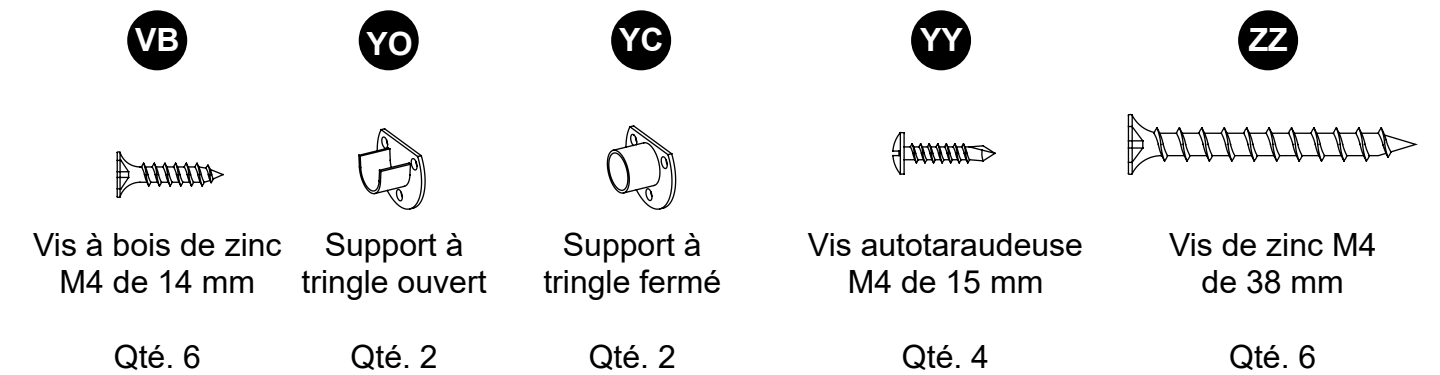
PIÈCE	DESCRIPTION	QUANTITÉ
A	Traverse de fixation au mur	2
B	Panneau latéral supérieur gauche	1
C	Panneau latéral supérieur droit	1
D	Tablettes fixes du haut et du bas	2
E	Tablette réglable	2
F	Cale de montage	1
G	Tablette fixe du milieu	1

PIÈCE	DESCRIPTION	QUANTITÉ
H	Panneau latéral inférieur gauche	1
I	Panneau latéral inférieur droit	1
J	Support en bois	2
R	Gabarit pour l'installation	1
S	Tringle métallique de 25 mm	2
T	Tringle métallique de 22 mm	2

## QUINCAILLERIE INCLUSE (grandeur non réelle)



## QUINCAILLERIE INCLUSE (pour la trousse de tringle)



### ! CONSIGNES DE SÉCURITÉ

Assurez-vous de lire et de comprendre l'intégralité du présent manuel avant de tenter d'assembler, d'installer ou d'utiliser l'article.

- Ne laissez pas les enfants grimper ou jouer sur l'article ni autour de celui-ci.
- Utilisez cet article uniquement pour l'usage auquel il est destiné. N'utilisez pas les tablettes comme s'il s'agissait d'une échelle.
- Assemblez l'article sur une surface solide, plane et protectrice, pour éviter de l'endommager.
- Deux personnes ou plus doivent travailler de concert pour installer cet article au mur.
- Assurez-vous que tous les boulons et toutes les vis sont bien serrés avant d'utiliser l'article.
- Vérifiez les boulons et les vis régulièrement et serrez-les au besoin.
- Charge maximale de la tablette : 13,61 kg
- Charge maximale de la tringle : 18,14 kg
- Longueur maximale de la tringle : 1,52 m

### ! AVERTISSEMENT

CET ARTICLE NE PEUT SUPPORTER QUE LA CHARGE MAXIMALE INDIQUÉE. L'UTILISATION DE CET ARTICLE AVEC DES PRODUITS DONT LE POIDS DÉPASSE LA CHARGE MAXIMALE INDIQUÉE PEUT ENTRAÎNER DE L'INSTABILITÉ ET CAUSER DES BLESSURES. RÉPARTISSEZ LA CHARGE DE FAÇON UNIFORME.

### PRÉPARATION

Avant de commencer l'assemblage de l'article, assurez-vous d'avoir toutes les pièces. Comparez le contenu de l'emballage avec la liste des pièces et celle de la quincaillerie incluse. S'il y a des pièces manquantes ou endommagées, ne tentez pas d'assembler l'article.

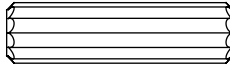
**Temps d'assemblage approximatif : 120 minutes.**

Outils nécessaires pour l'assemblage (non inclus) : tournevis cruciforme, perceuse électrique, foret de 3/16 po, foret de 3/8 po, clé à douille de 1/2 po, niveau, détecteur de montant, crayon, ruban à mesurer, escabeau et marteau.

## INSTRUCTIONS POUR L'ASSEMBLAGE

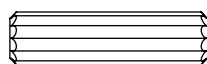
1. Insérez les goujons de bois longs (FF) dans les cales de montage (F).


### Quincaillerie utilisée

**FF** Goujon de bois long  x 4


2. Insérez les écrous à portée cylindrique (GG), les goujons de bois longs (FF) et les grandes attaches Camloc (MM) dans le panneau latéral supérieur gauche (B) et le panneau latéral supérieur droit (C), tel qu'il est illustré. Ensuite, fixez le panneau latéral supérieur gauche (B) et le panneau latéral supérieur droit (C) au panneau latéral inférieur gauche (H) et au panneau latéral inférieur droit (I). Insérez les grandes attaches Camloc (LL) dans le panneau latéral inférieur gauche (H) et le panneau latéral inférieur droit (I) pour fixer l'ensemble de panneaux.

### Quincaillerie utilisée

**FF** Goujon de bois long  x 4

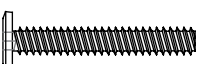
**GG** Écrou à portée cylindrique  x 4

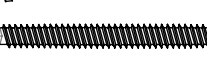
**LL** Grande attache Camloc  x 4


**MM** Grande vis Camloc  x 4

3. Insérez les écrous à portée cylindrique (GG) dans les cales de montage (F). Fixez les cales de montage (F), le bord biseauté orienté vers le bas, au panneau latéral supérieur droit (C) et au panneau latéral inférieur droit (I) aux endroits indiqués à l'aide de rondelles de blocage (CC), de petites rondelles plates (DD) et de boulons M6 de 60 mm (BB). Ensuite, fixez la tablette fixe du milieu (G) et les tablettes fixes du haut et du bas (D) au panneau latéral supérieur droit (C) et au panneau latéral inférieur droit (I) à l'aide de rondelles de blocage (CC), de petites rondelles plates (DD) et de boulons M6 de 40 mm (AA). Serrez tous les boulons à l'aide de la clé hexagonale (JJ).


### Quincaillerie utilisée

**AA** Boulon M6 de 40 mm  x 7

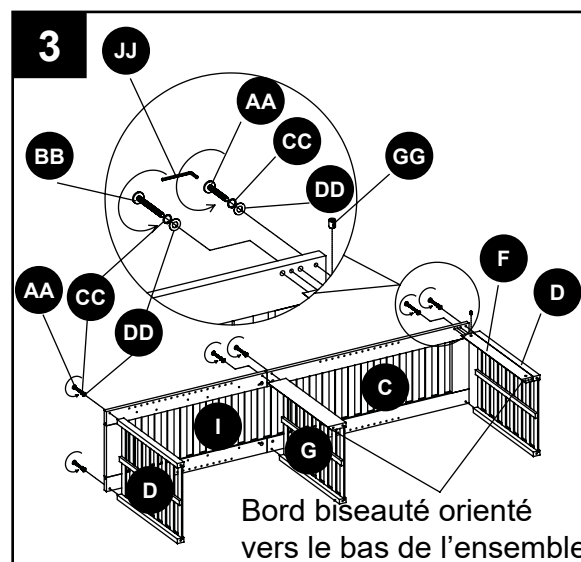
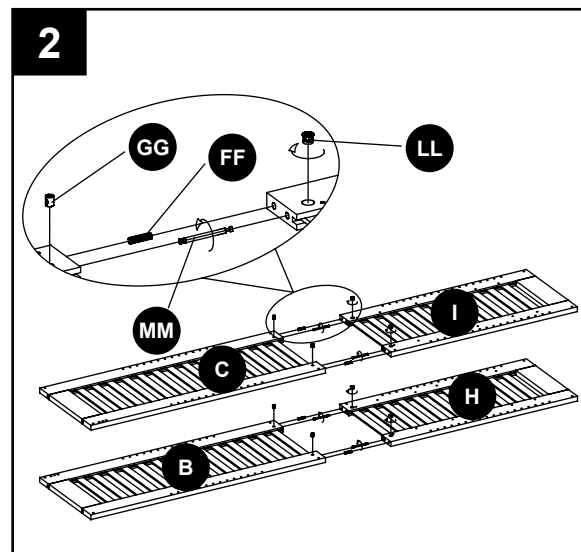
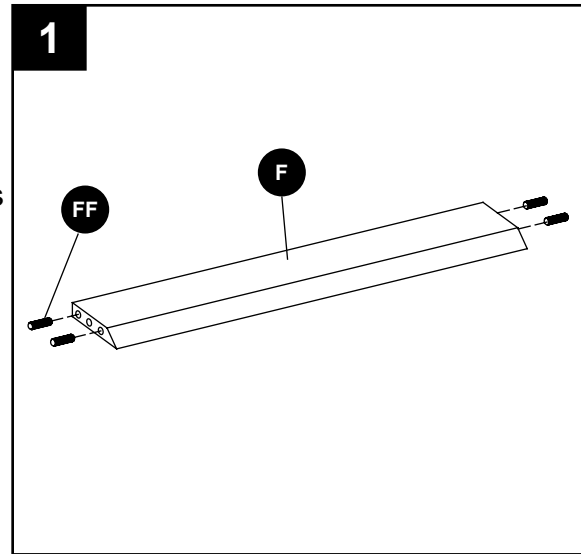
**BB** Boulon M6 de 60 mm  x 1

**CC** Rondelle de blocage  x 8

**DD** Petite rondelle plate  x 8

**GG** Écrou à portée cylindrique  x 1

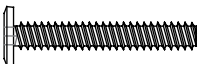
**JJ** Clé hexagonale  x 1

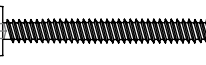


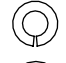
## INSTRUCTIONS POUR L'ASSEMBLAGE

4. Répétez l'étape 3 pour le panneau latéral supérieur gauche (B) et le panneau latéral inférieur gauche (H).


### Quincaillerie utilisée

**AA** Boulon M6 de 40 mm  x 7

**BB** Boulon M6 de 60 mm  x 1

**CC** Rondelle de blocage  x 8

**DD** Petite rondelle plate  x 8

**GG** Écrou à portée cylindrique  x 1

**JJ** Clé hexagonale  x 1

5. Placez l'ensemble en position verticale. Installez les taquets pour tablette (EE) à la hauteur de votre choix dans la tour, puis placez la tablette réglable (E) dessus.

**Remarque :** Assurez-vous que les taquets pour tablette (EE) sont à la même hauteur.

### Quincaillerie utilisée

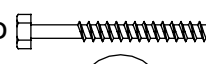
**EE** Taquet pour tablette  x 8

6. À l'aide d'un détecteur de montant (non inclus), repérez les bordures des montants. Trouvez le centre de chaque montant et tracez une ligne de référence verticale sur le mur. Placez le gabarit pour l'installation (R) sur le mur à l'endroit désiré.

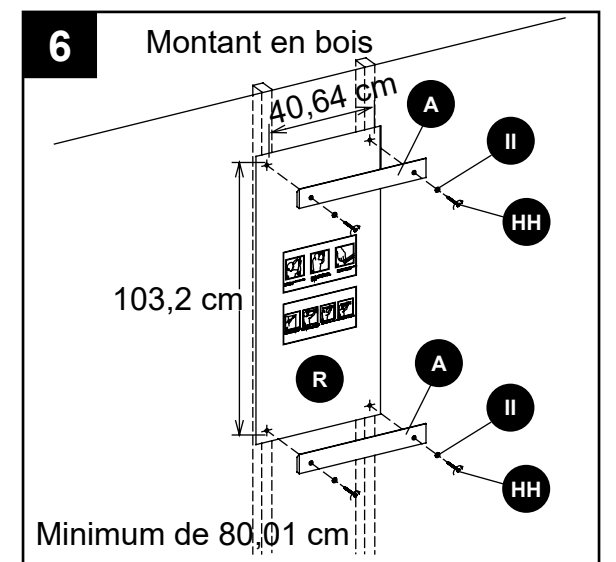
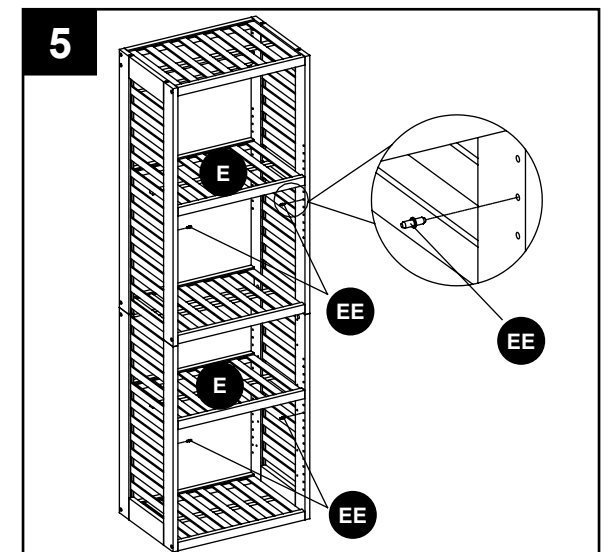
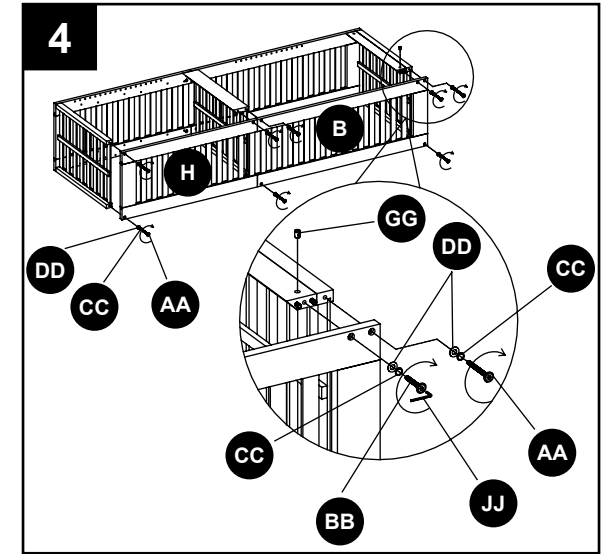
**Remarque :** Le bas du gabarit pour l'installation (R) devrait être à une distance minimale de 80,01 cm du plancher.

Marquez l'emplacement des trous à l'aide d'un crayon (non inclus) et enlevez le gabarit pour l'installation (R). Percez des avant-trous aux endroits marqués à l'aide d'un foret de 3/16 po. Puis, fixez les traverses de fixation au mur (A), le bord biseauté orienté vers le haut, à l'aide de grandes rondelles plates (II) et de tire-fonds (HH).

### Quincaillerie utilisée

**HH** Tire-fond M8 de 2 1/2 po  x 4

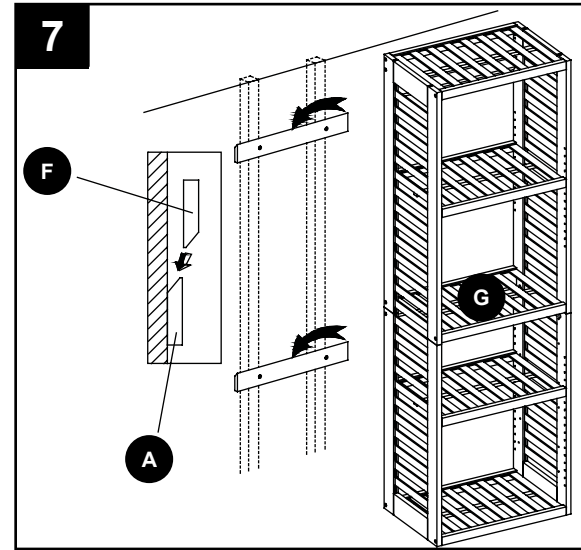
**II** Grande rondelle plate  x 4





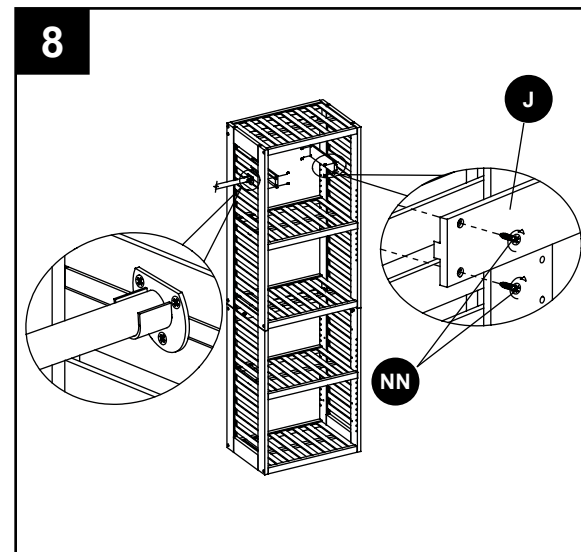
## INSTRUCTIONS POUR L'ASSEMBLAGE

7. Avec l'aide d'une autre personne, installez soigneusement l'ensemble en déposant la cale de montage (F) et la cale préassemblée à la tablette fixe du milieu (G) sur les traverses de fixation au mur (A).

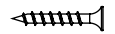


8. Si vous prévoyez installer une tringle extensible, fixez les supports en bois (J) sur la face intérieure du panneau latéral gauche (B) ou du panneau latéral droit (C) à l'aide de vis à bois (NN).

**Remarque :** La tringle extensible devrait être installée au milieu du support en bois (J).

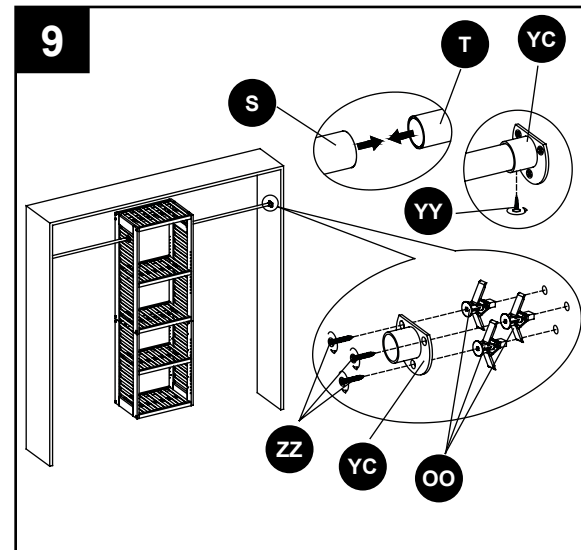


### Quincaillerie utilisée

**NN** Vis à bois M3.5 de 12 mm  x 8

9. Insérez les tringles métalliques de 22 mm (T) dans les tringles métalliques de 25 mm (S). En vous guidant à l'aide des supports à tringle fermés (YC), marquez l'emplacement des trous de vis. Percez des avanttrous d'une profondeur d'au moins 6,35 cm aux endroits marqués à l'aide d'un foret d'un diamètre de 3/8 po, puis insérez-y les chevilles d'ancrage pour cloison sèche (OO) (non incluses). Fixez les supports à tringle fermés (YC) à l'aide de vis de zinc M4 de 38 mm (ZZ). Insérez les tringles de 25 mm (S) dans les supports à tringle fermés (YC) et fixez-les avec des vis autotaraudeuses M4 de 15 mm (YY).

**Remarque :** Les chevilles d'ancrage pour cloison sèche ne sont pas nécessaires si vous fixez les tringles à un montant.



### Quincaillerie utilisée

**YC** Support à tringle fermé  x 2

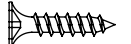
**YY** Vis autotaraudeuse M4 de 15 mm  x 2


**ZZ** Vis de zinc M4 de 38 mm  x 6

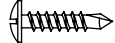
## INSTRUCTIONS POUR L'ASSEMBLAGE

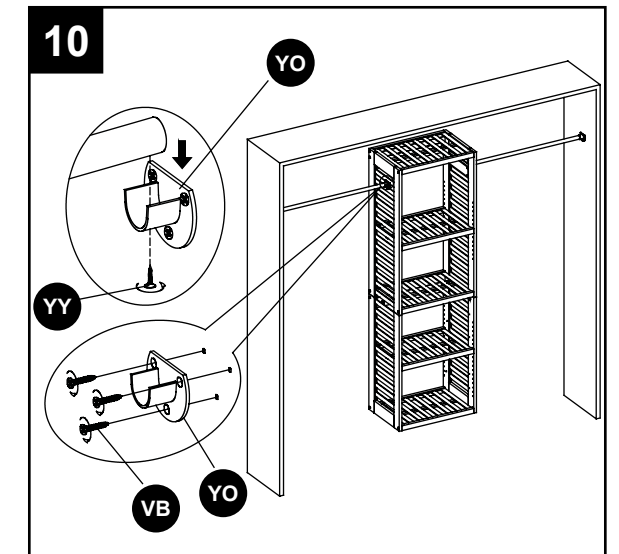
10. Fixez les supports à tringle ouverts (YO) au panneau latéral supérieur gauche (A) et au panneau latéral supérieur droit (B) à l'aide de vis à bois de zinc M4 de 14 mm (VB). Insérez les tringles de 22 mm (T) dans les supports à tringle ouverts (YO) et fixez-les avec des vis autotaraudeuses M4 de 15 mm (YY).

### Quincaillerie utilisée

**VB** Vis à bois de zinc M4 de 14 mm  x 6

**YO** Support à tringle ouvert  x 2

**YY** Vis autotaraudeuse M4 de 15 mm  x 2



## ENTRETIEN

- Vérifiez périodiquement si les composants sont bien positionnés, en bon état et fermement montés.
- Utilisez un linge doux et propre qui n'égratignera pas la surface lorsque vous époussetterez l'article.
- N'utilisez jamais d'eau pour nettoyer le meuble puisque vous risqueriez d'endommager le fini.
- Nettoyez l'article à l'aide d'un linge humide et d'un nettoyant doux. Essuyez-le à l'aide d'un linge propre.
- Si le meuble est taché ou endommagé de quelque façon durant son utilisation, il est recommandé d'appeler un professionnel pour le faire réparer.
- Conservez le meuble à l'abri du soleil pour éviter d'endommager le fini.
- Il est préférable que le meuble soit gardé dans un endroit à température contrôlée. Les variations d'humidité et de température importantes peuvent décolorer, déformer, contracter et même fendre le bois.
- Un crayon à retouche (KK) est fourni (à l'exception de l'article #1465191, 1465192) pour couvrir toute égratignure ou rayure qui pourrait survenir durant l'assemblage ou l'expédition.
- Si l'article #1465191, 1465192 est endommagé et que des retouches sont nécessaires, veuillez appliquer un produit encaustique de qualité sur la surface endommagée. Le produit encaustique n'est pas fourni avec l'article.

## DÉPANNAGE

PROBLÈME	CAUSE POSSIBLE	MESURE CORRECTIVE
L'une des extrémités de la tringle ne tient pas correctement sur le support à tringle ouvert (YO).	L'ouverture du support à tringle ouvert n'est pas orientée vers le haut (à la verticale).	Utilisez un bon niveau pour vous assurer que le bord plat du support à tringle ouvert est de niveau au moment de l'installation.
La tringle est inclinée.	Le support à tringle ouvert et le support à tringle fermé ne sont pas à la même hauteur.	Utilisez un bon niveau pour vous assurer que les supports à tringle sont à la même hauteur.
Une vis s'est enfoncée dans le panneau latéral.	Des vis à bois M4 de 38 mm ont été utilisées pour fixer le support à tringle au côté de l'étagère.	Utilisez des vis à bois M4 de 14 mm.
La tour de rangement de placard ajourée est inclinée.	Les traverses de fixation au mur ne sont pas de niveau.	Réinstallez les traverses de fixation au mur, puis assurez-vous qu'elles sont de niveau.
La tour de rangement ajourée ne s'installe pas au mur.	Les emplacements des trous de montage ne sont pas corrects.	Réinstallez les traverses de fixation au mur. Assurez-vous que la distance entre les deux traverses est de 103,2 cm et que les deux trous de montage inférieurs se trouvent à une distance minimale de 80,01 cm du plancher.

## GARANTIE

La présente garantie n'est offerte qu'à l'acheteur initial (et ne s'applique pas aux tablettes). Si cet article présente des défauts de matériaux ou de fabrication, le fabricant choisira, à sa seule discrétion, de réparer ou de remplacer l'article sans frais. La garantie sera annulée si l'article a été assemblé incorrectement, a été utilisé de manière inappropriée ou abusive en le surchargeant ou en l'altérant d'une quelconque façon, ou a subi des dommages causés par un accident. La présente garantie est non transférable et ne couvre pas les ébréchures, l'écaillage, les égratignures, la rouille, les bosses et tout autre dommage à la surface de cet article. La responsabilité du fabricant se limite à la réparation et au remplacement de cet article. Le fabricant n'est pas responsable des dommages accessoires, consécutifs ou autres ni de toute perte causée par une défectuosité de l'article. La présente garantie prévaut sur toute autre garantie explicite. Certains États ou certaines provinces ne permettent pas l'exclusion ou la limitation des dommages accessoires ou consécutifs, de sorte que la limitation ci-dessus peut ne pas s'appliquer à vous. Cette garantie vous confère des droits précis. Il est possible que vous disposiez d'autres droits, qui varient d'un État ou d'une province à l'autre.

## LISTE DES PIÈCES DE RECHANGE

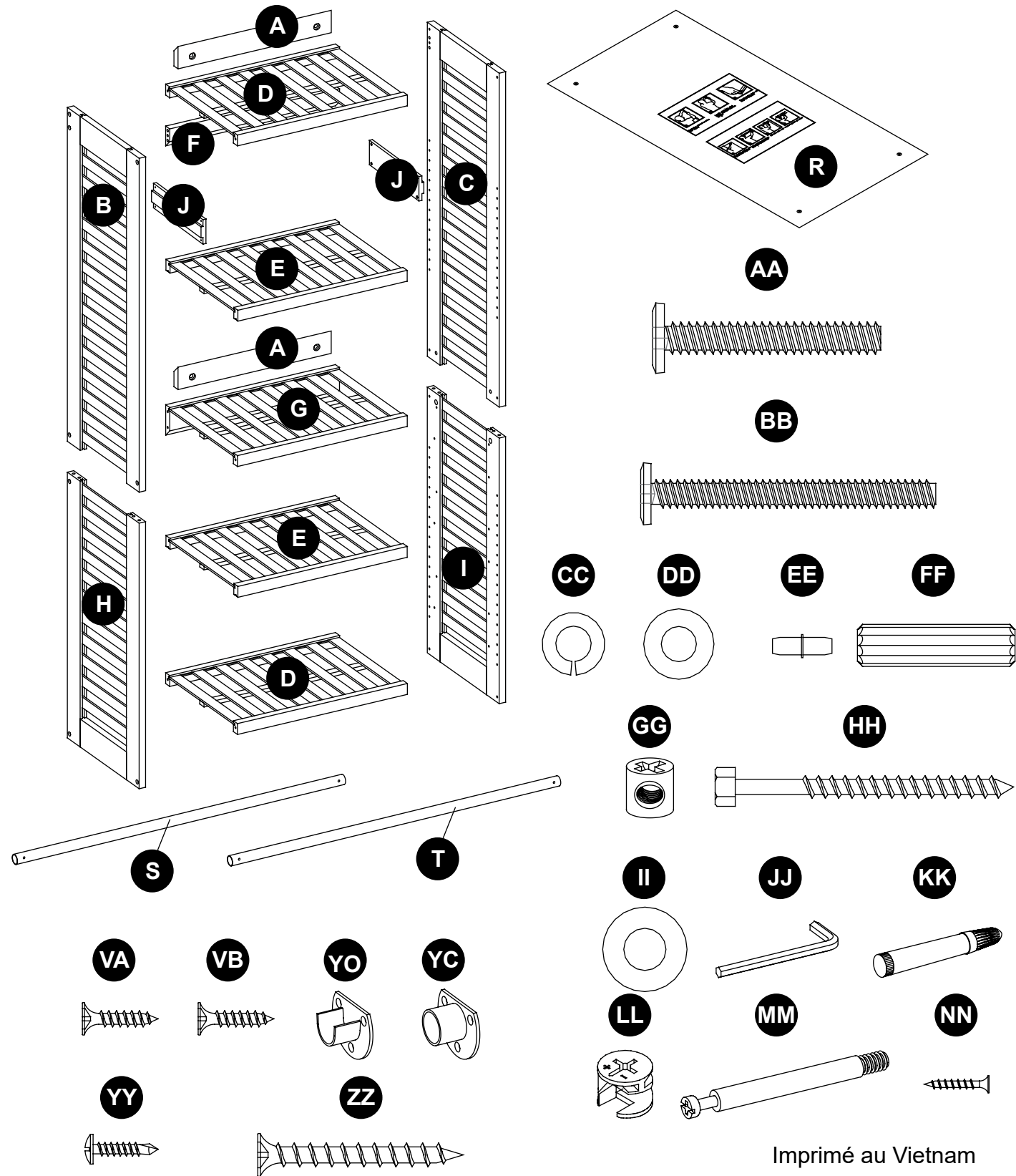
Pour obtenir des pièces de rechange, veuillez communiquer avec notre service à la clientèle au 1 866 439-9800, entre 8 h et 20 h (HNE), du lundi au vendredi.

PIÈCE	DESCRIPTION	N° DE PIÈCE
A	Traverse de fixation au mur	*LWSVCKJ/W/G-1-WHC
B	Panneau latéral supérieur gauche	*LWSVCKJ/W/G-2-ULSP
C	Panneau latéral supérieur droit	*LWSVCKJ/W/G-3-URSP
D	Tablettes fixes du haut et du bas	*LWSVCKJ/W/G-4-T/BFS
E	Tablette réglable	*LWSVCKJ/W/G-5-AS
F	Cale de montage	*LWSVCKJ/W/G-6-MC
G	Tablette fixe du milieu	*LWSVCKJ/W/G-7-MFS
H	Panneau latéral inférieur gauche	*LWSVCKJ/W/G-8-LLSP
I	Panneau latéral inférieur droit	*LWSVCKJ/W/G-9-LRSP
J	Support en bois	*LWSVCKJ/W/G-10-WS
R	Gabarit pour l'installation	*LWSVCKJ/W/G-11-IT
S	Tringle métallique de 25 mm	*LWSVCKJ/W/G-12-25MP
T	Tringle métallique de 22 mm	*LWSVCKJ/W/G-13-22MP
AA	Boulon M6 de 40 mm	*LWSVCKJ/W/G-14-MB
BB	Boulon M6 de 60 mm	*LWSVCKJ/W/G-15-MB
CC	Rondelle plate	*LWSVCKJ/W/G-16-LW
DD	Petite rondelle plate	*LWSVCKJ/W/G-17-SFW
EE	Taquet pour tablette	*LWSVCKJ/W/G-18-SP
FF	Goujon de bois long	*LWSVCKJ/W/G-19-LWD
GG	Écrou à portée cylindrique	*LWSVCKJ/W/G-20-BN
HH	Tire-fond M8 de 2 1/2 po	*LWSVCKJ/W/G-21-MLB
II	Grande rondelle plate	*LWSVCKJ/W/G-22-LFW
JJ	Clé hexagonale	*LWSVCKJ/W/G-23-HW
KK	Crayon à retouche	*LWSVCKJ-24-TP
LL	Grande attache Camloc	*LWSVCKJ/W/G-25-LCL
MM	Grande vis Camloc	*LWSVCKJ/W/G-26-LCB
NN	Vis à bois M3.5 de 12 mm	*LWSVCKJ/W/G-27-MWS
VA	Vis à bois M4 de 14 mm	*LWSVCKJ/W/G-28-MWS
VB	Vis à bois de zinc M4 de 14 mm	*LWSVCKJ/W/G-29-MZWS
YO	Support à tringle ouvert	*LWSVCKJ/W/G-30-OPH
YC	Support à tringle fermé	*LWSVCKJ/W/G-31-CPH
YY	Vis autotaraudeuse M4 de 15 mm	*LWSVCKJ/W/G-32-MSS
ZZ	Vis de zinc M4 de 38 mm	*LWSVCKJ/W/G-33-MZS
	Quincaillerie complète	*LWSVCKJ/W/G-34-CH



## LISTE DES PIÈCES DE RECHANGE

Pour obtenir des pièces de rechange, veuillez communiquer avec notre service à la clientèle au 1 866 439-9800, entre 8 h et 20 h (HNE), du lundi au vendredi.



Imprimé au Vietnam

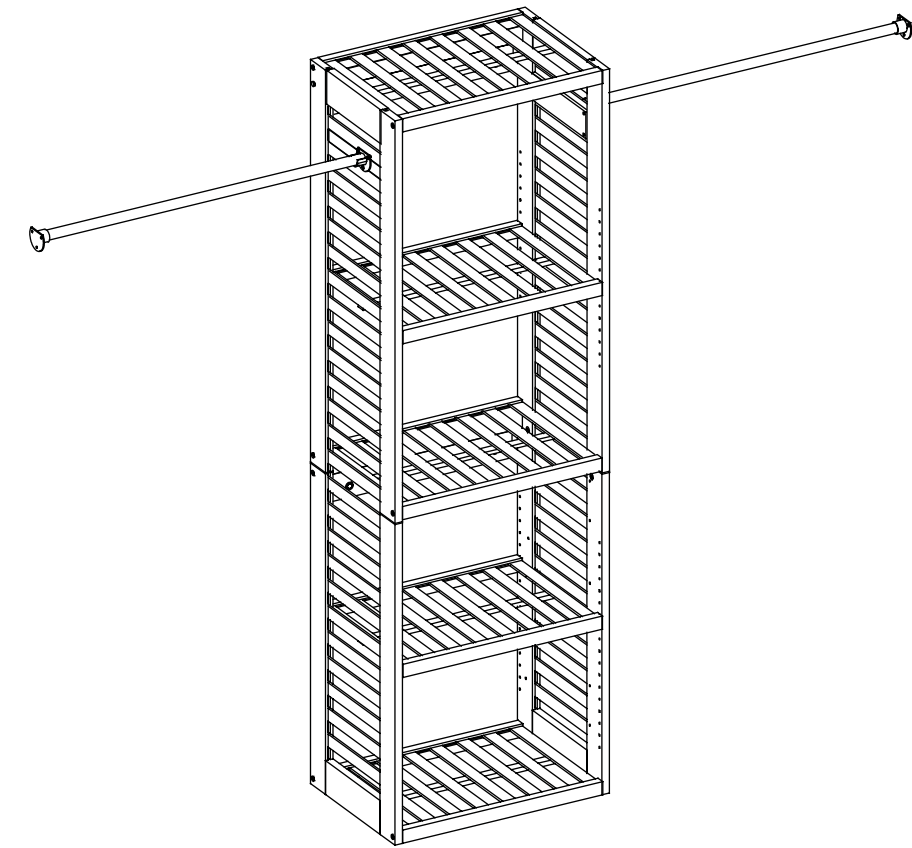
Date: 2019-08-02 Rév. 0001-A

allen + roth® est une marque de commerce déposée de LF, LLC. Tous droits réservés.

Lowes.com/allenandroth allen + roth

allen + roth®

welcoming • sophisticated • inspiring



allen + roth® es una marca registrada de LF, LLC.  
Todos los derechos reservados.

ARTÍCULO #1465190, 1465191, 1465192

## KIT PARA ARMARIO VENTILADO

MODELO #LWSVCKJ, LWSVCKW, LWSVCKG

ADJUNTE SU RECIBO AQUÍ

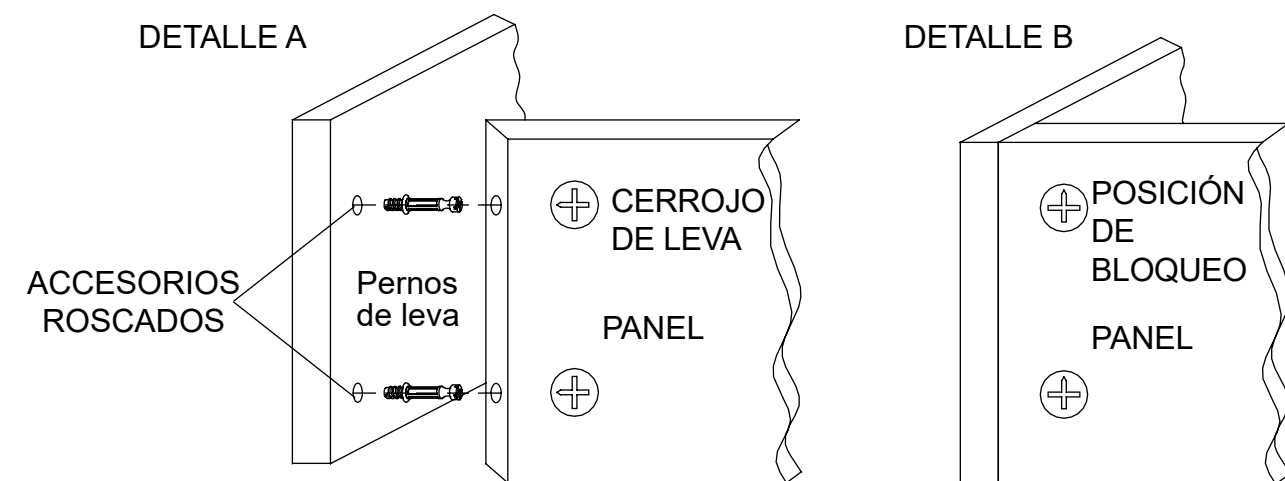
Número de serie \_\_\_\_\_ Fecha de compra \_\_\_\_\_

¿Preguntas, problemas, piezas faltantes? Antes de volver a la tienda, llame a nuestro Departamento de Servicio al Cliente al 1-866-439-9800, de lunes a viernes de 8 a.m. a 8 p.m., hora estándar del Este.

## ÍNDICE

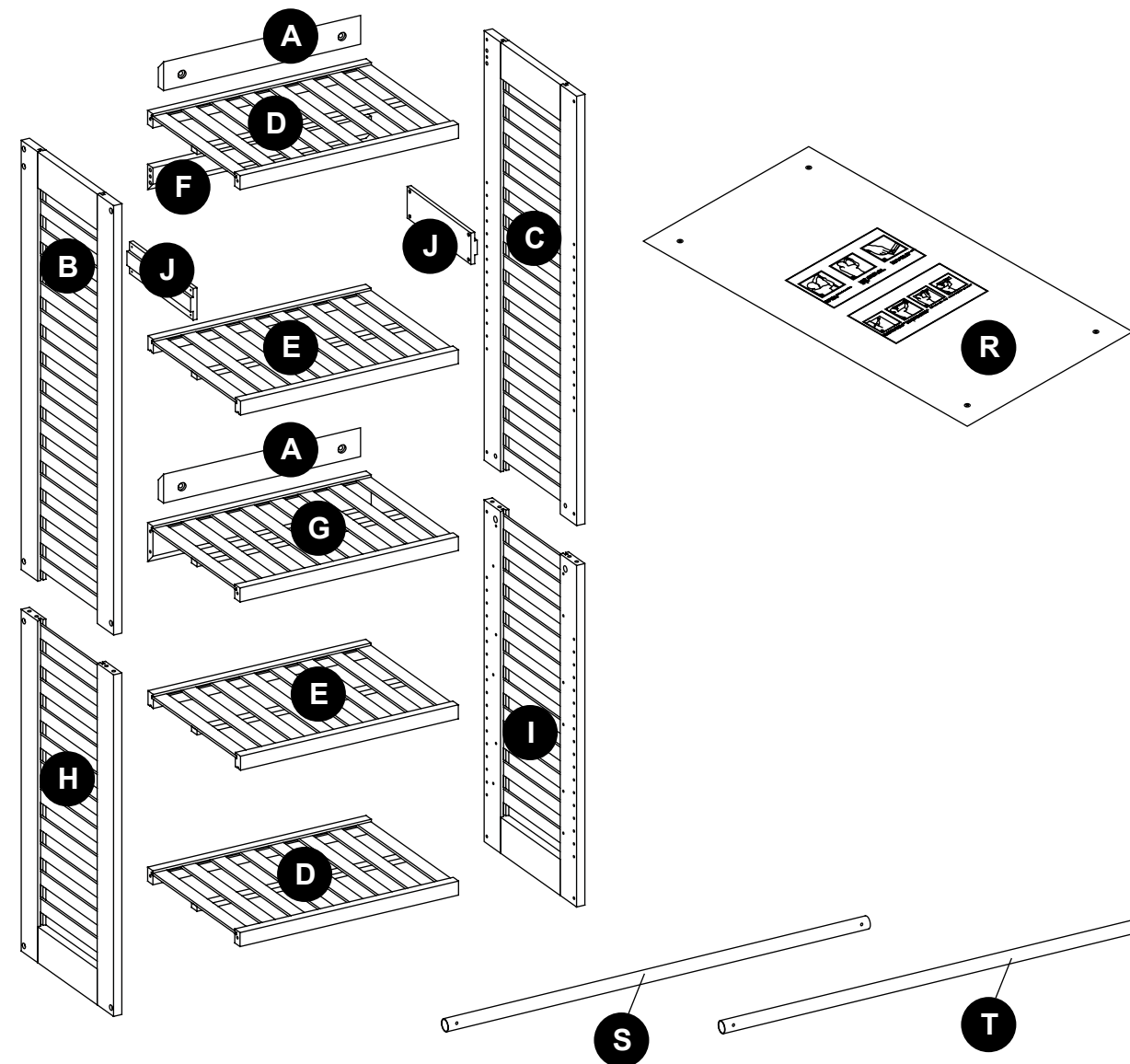
Funcionamiento del sistema de cerrojo de leva.....	26
Contenido del paquete.....	27
Contenido de los aditamentos.....	28
Información de seguridad.....	29
Preparación.....	29
Instrucciones de ensamblaje o instalación.....	30
Cuidado y mantenimiento.....	33
Solución de problemas.....	34
Garantía.....	34
Lista de piezas de repuesto.....	35

## FUNCIONAMIENTO DEL SISTEMA DE CERROJO DE LEVA



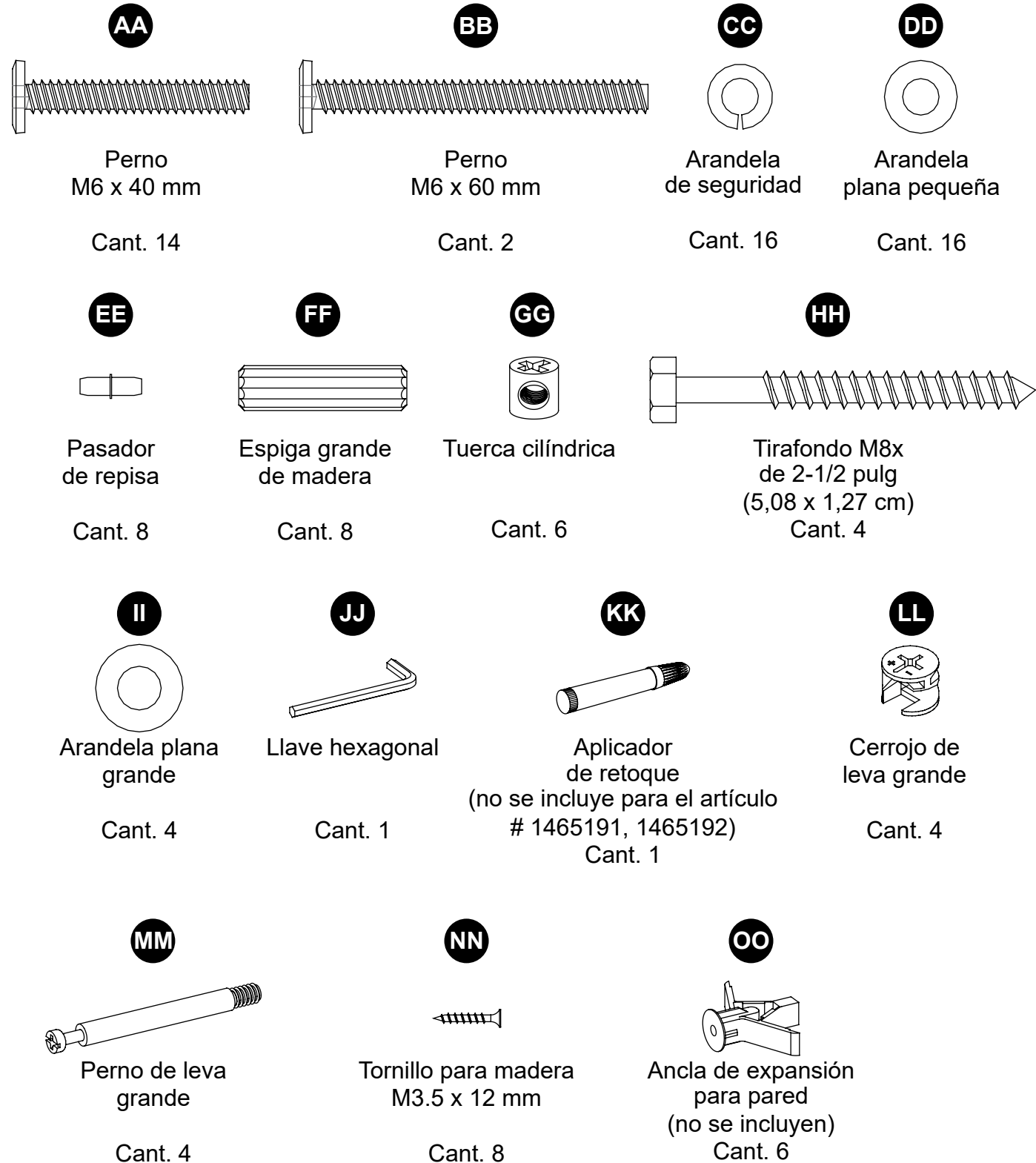
1. Atornille los pernos de leva a los orificios pequeños pretaladrados en el panel.
2. Introduzca el cerrojo de leva al orificio pretaladrado grande en el panel.
3. Asegúrese de que la flecha en el cerrojo de leva señale a los pernos de leva.
4. Una ambos paneles, y asegúrese de que los pernos de leva vayan dentro del orificio pretaladrado en el extremo del panel con cerrojo de leva.
5. Una vez que los pernos de leva estén conectados dentro del cerrojo de leva, tome el destornillador Phillips y apriete el cerrojo de leva en dirección de las manecillas del reloj.

## CONTENIDO DEL PAQUETE

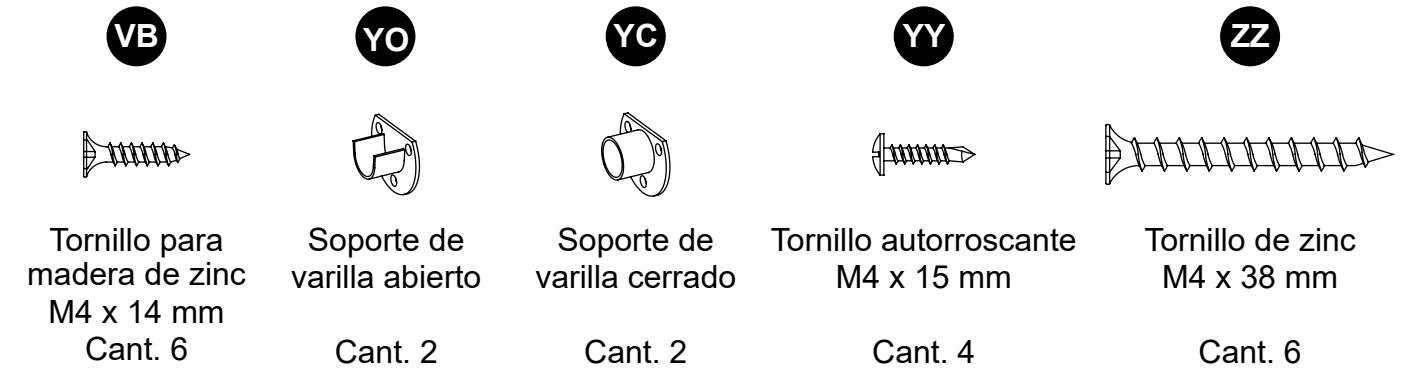


PIEZA	DESCRIPCIÓN	CANTIDAD	PIEZA	DESCRIPCIÓN	CANTIDAD
A	Listón de colgante para pared	2	R	Plantilla de instalación	1
B	Panel lateral superior izquierdo	1	S	Varilla de metal de 25 mm	2
C	Panel lateral superior derecho	1	T	Varilla de metal de 22 mm	2
D	Repisa fija superior/inferior	2			
E	Repisa ajustable	2			
F	Listón de montaje	1			
G	Repisa fija central	1			
H	Panel lateral inferior izquierdo	1			
I	Panel lateral inferior derecho	1			
J	Soporte de madera	2			

**ADITAMENTOS (no se muestra en tamaño real)**



**ADITAMENTOS (Juego para el Poste)**



**! INFORMACIÓN DE SEGURIDAD**

Lea y comprenda por completo este manual antes de intentar ensamblar, usar o instalar el producto.

- No permita que los niños se suban al producto o que jueguen cerca de él.
- Use esta unidad solo para el fin para el cual se diseñó. No utilice las repisas como escalera de tijera.
- Para evitar daños, ensamble este producto sobre una superficie segura, nivelada y resistente.
- Dos o más personas deben trabajar en conjunto para instalar la unidad en la pared.
- Asegúrese de que todos los pernos/tornillos estén bien apretados antes de usar la unidad.
- Revise periódicamente los tornillos/pernos y apriételos si es necesario.
- Carga máxima de la repisa: 30 libras (13,61 kg).
- Carga máxima de la varilla: 40 libras (18,14 kg).
- Longitud máxima de la varilla: 60 pulg (1,52 m).

**! ADVERTENCIA**

ESTA UNIDAD ESTÁ DISEÑADA PARA UTILIZARSE SOLO CON EL PESO MÁXIMO ESPECIFICADO. EL USO CON PRODUCTOS QUE SUPEREN EL PESO MÁXIMO ESPECIFICADO PUEDE PRODUCIR INESTABILIDAD Y CAUSAR POSIBLES LESIONES. DISTRIBUYA EL PESO DE MANERA UNIFORME.

**PREPARACIÓN**

Antes de comenzar a ensamblar el producto, asegúrese de tener todas las piezas. Compare las piezas con la lista del contenido del paquete y la lista de aditamentos. No intente ensamblar el producto si falta alguna pieza o si estas están dañadas.

**Tiempo estimado de ensamblaje:** 120 minutos

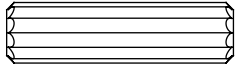
Herramientas necesarias para el ensamblaje (no se incluyen): destornillador Phillips, taladro eléctrico, broca para taladro de 3/16 pulg (4,7 mm), broca para taladro de 3/8 pulg (0,95 cm), llave de tuercas de 1/2 pulg (1,27 cm), nivel, detector de vigas, lápiz para marcar, cinta métrica, escalera de tijera, martillo.



## INSTRUCCIONES DE ENSAMBLAJE

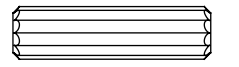
1. Introduzca las espigas de madera grandes (FF) en los listones de montaje (F).

### Aditamentos utilizados


**FF** Espiga grande de madera  x 4

3. Inserte las tuercas cilíndricas (GG), las espigas de madera (FF) y los pernos de leva grandes (MM) en el panel lateral superior izquierdo (B) y el panel lateral superior derecho (C), como se muestra. Luego, fije el panel lateral superior izquierdo (B) y el panel lateral superior derecho (C) al panel lateral inferior izquierdo (H) y al panel lateral inferior derecho (I). Inserte los cerrojos de leva grandes (LL) en el panel lateral inferior izquierdo (H) y el panel lateral inferior derecho (I) para asegurar el ensamble de los paneles.

### Aditamentos utilizados

**FF** Espiga grande de madera  x 4

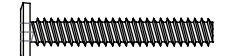
**GG** Tuerca cilíndrica  x 4

**LL** Cerrojo de leva grande  x 4

**MM** Perno de leva grande  x 4

3. Introduzca la tuerca cilíndrica (GG) en el listón de montaje (F). Asegure el listón de montaje (F), con el borde biselado hacia abajo, al panel lateral superior derecho (C) y al panel lateral inferior derecho (I), como se muestra en la imagen, con las arandelas de seguridad (CC), las arandelas planas pequeñas (DD) y los pernos M6 x 60 mm (BB). Luego, fije la repisa fija central (G) y las repisas fijas superior/inferior (D) al panel lateral superior derecho (C) y al panel lateral inferior derecho (I) con las arandelas de seguridad (CC), las arandelas planas pequeñas (DD) y los pernos M6 x 40 mm (AA). Apriete todas las conexiones con la llave hexagonal (JJ).


### Aditamentos utilizados

**AA** Perno M6 x 40 mm  x 7

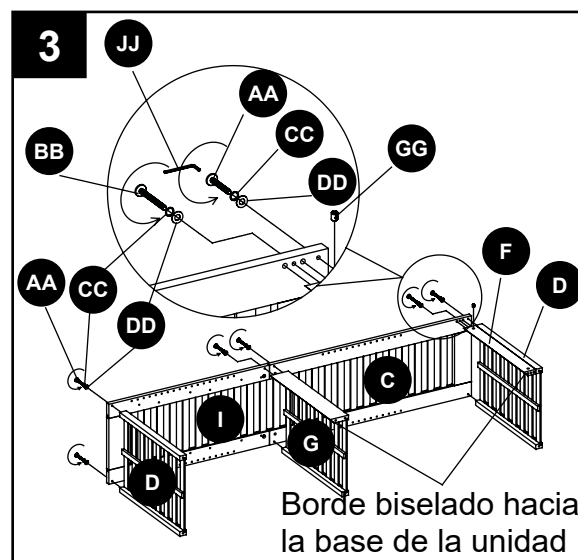
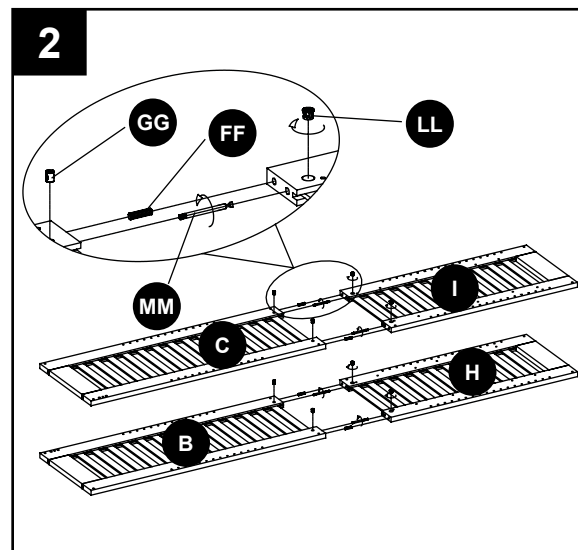
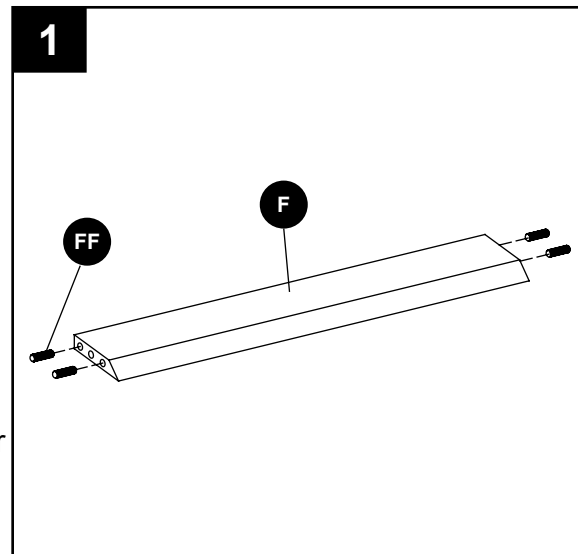
**BB** Perno M6 x 60 mm  x 1

**CC** Arandela de seguridad  x 8

**DD** Arandela plana pequeña  x 8

**GG** Tuerca cilíndrica  x 1


**JJ** Llave hexagonal  x 1



## INSTRUCCIONES DE ENSAMBLAJE


4. Repita el paso 3 para el panel lateral superior izquierdo (B) y el panel lateral inferior izquierdo (H).


### Aditamentos utilizados

**AA** Perno M6 x 40 mm  x 7

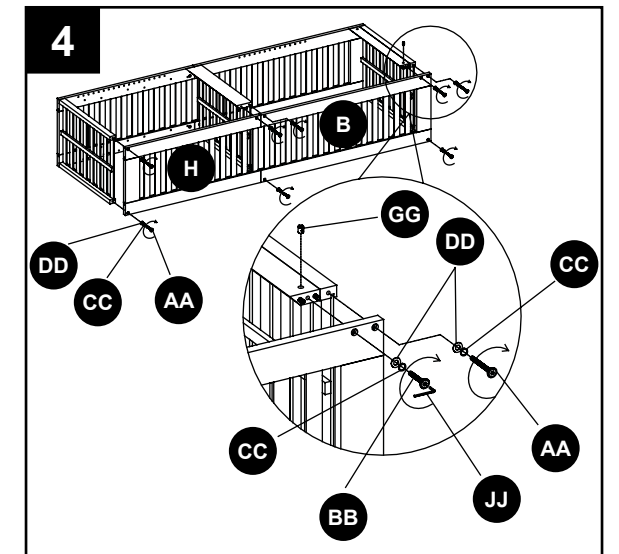
**BB** Perno M6 x 60 mm  x 1

**CC** Arandela de seguridad  x 8

**DD** Arandela plana pequeña  x 8

**GG** Tuerca cilíndrica  x 1

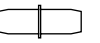
**JJ** Llave hexagonal  x 1

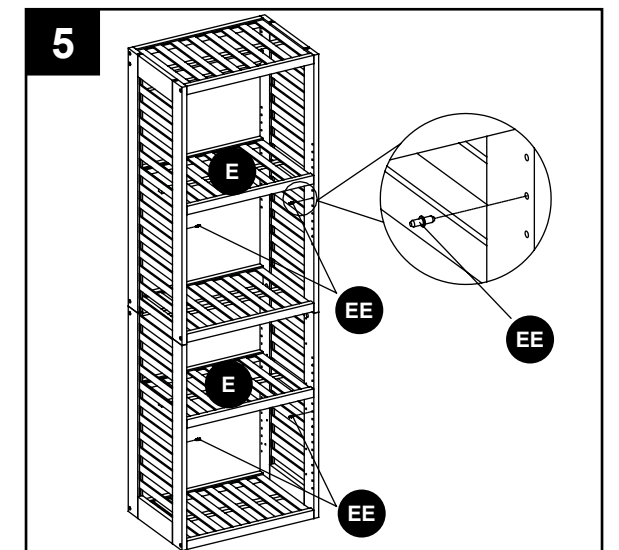


5. Coloque el ensamblaje en posición vertical. Introduzca los pasadores de estante (EE) en el lugar que desee de la torre, luego coloque los estantes ajustables (E) sobre la parte superior.

**Nota:** asegúrese de que los pasadores de estante (EE) queden nivelados.

### Aditamentos utilizados

**EE** Pasador de repisa  x 8

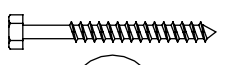


6. Con un detector de vigas (no se incluye), ubique los bordes de las vigas de madera. Localice la línea central de cada viga y trace una línea vertical como referencia en la pared sobre cada una. Coloque la plantilla de instalación (R) en el lugar deseado sobre la pared.

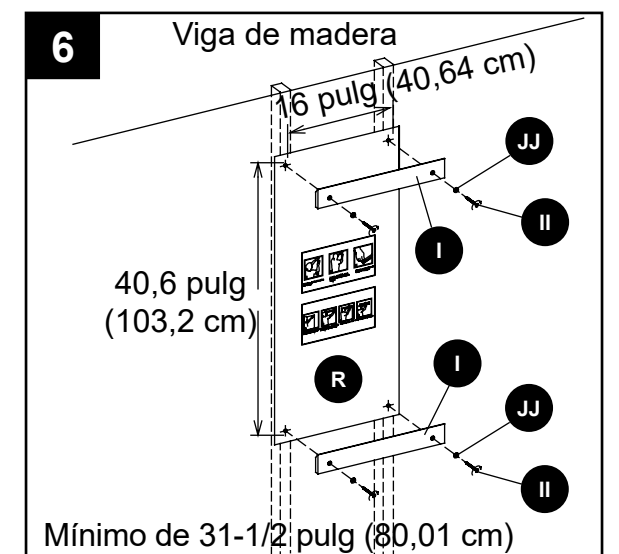
**Nota:** La parte inferior de la plantilla de instalación (R) debe quedar a no más de 31-1/2 pulg (80,01 cm) del piso.

Marque con un lápiz (no se incluye) los orificios de montaje y deseche la plantilla de instalación (R). Taladre orificios guía de 3/16 pulg (4,76 mm) en las ubicaciones marcadas. Luego, con el borde biselado hacia arriba, fije los listones de colgante para pared (A) con arandelas planas grandes (II) y tirafondos (HH).

### Aditamentos utilizados

**HH** Tirafondo M8 x 2-1/2 pulg  x 4 (5,08 x 1,27 cm)

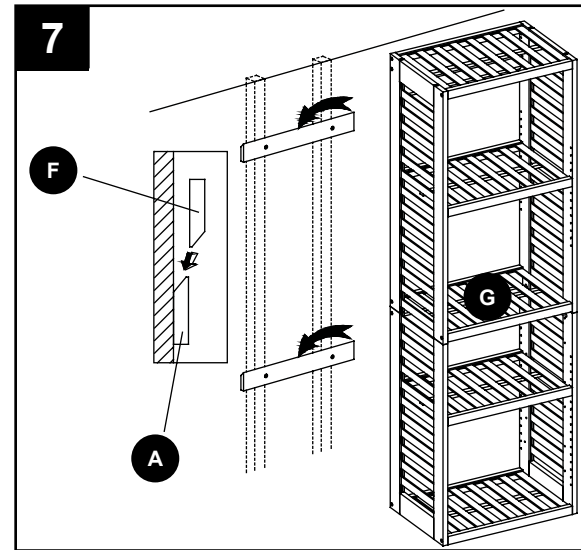
**II** Arandela plana grande  x 4



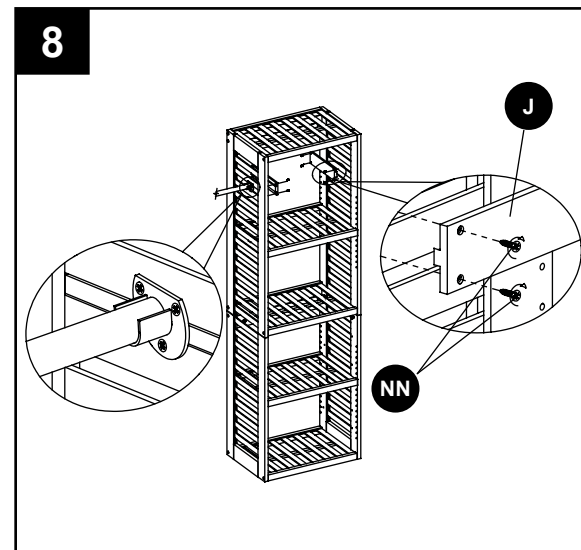


## INSTRUCCIONES DE ENSAMBLAJE

7. Con la ayuda de otra persona, cuidadosamente cuelgue la unidad de los listones de colgante (F) a los listones de colgante para pared (A) & repisa fija central (G).

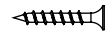


8. Si desea instalar la varilla extensible fije los soportes de madera (J) en el interior del panel lateral izquierdo (B) o el panel lateral derecho (C) con los tornillos de madera (NN).

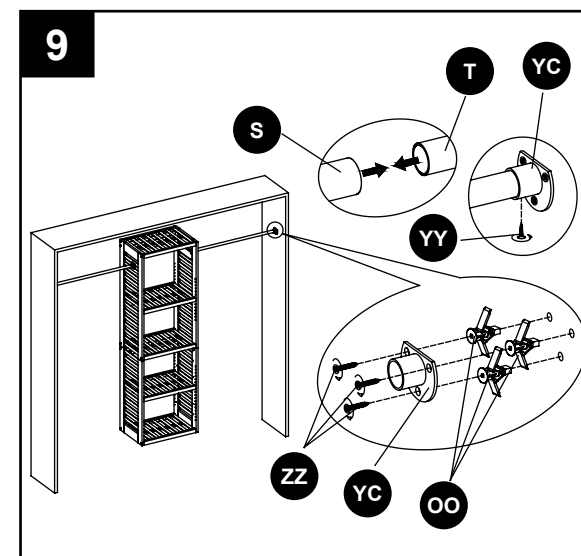


**Nota:** la varilla extensible se debe instalar a la mitad del soporte de madera (J).

### Aditamentos utilizados

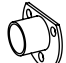
**NN** Tornillo para madera M3.5 x 12 mm  x 8

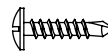
9. Inserte las varillas de metal de 22 mm (T) en las varillas de metal de 25 mm (S). Con los soportes de varilla cerrados (YC) como guía, marque con un lápiz las ubicaciones de los orificios de los tornillos. Taladre orificios guía de 3/8 pulg (0,95 cm) de diámetro al menos a una profundidad de 2-1/2 pulg (6,35 cm) en las ubicaciones marcadas. Luego, introduzca anclas de expansión para panel de yeso (OO) (no se incluyen) en los orificios. Fije los soportes de varilla cerrados (YC) con tornillos de zinc M4 x 38 mm (ZZ). Inserte las varillas de metal de 25 mm (P) en los soportes de varilla cerrados (YC), y asegúrelos con tornillos autorroscantes M4 x 15 mm (YY).



**Nota:** si realiza la instalación en una viga, no necesita utilizar las anclas de expansión para panel de yeso.

### Aditamentos utilizados

**YC** Soporte de varilla cerrado  x 2


**YY** Tornillo autorroscante M4 x 15 mm  x 2


**ZZ** Tornillo de zinc M4 x 38 mm  x 6

## INSTRUCCIONES DE ENSAMBLAJE

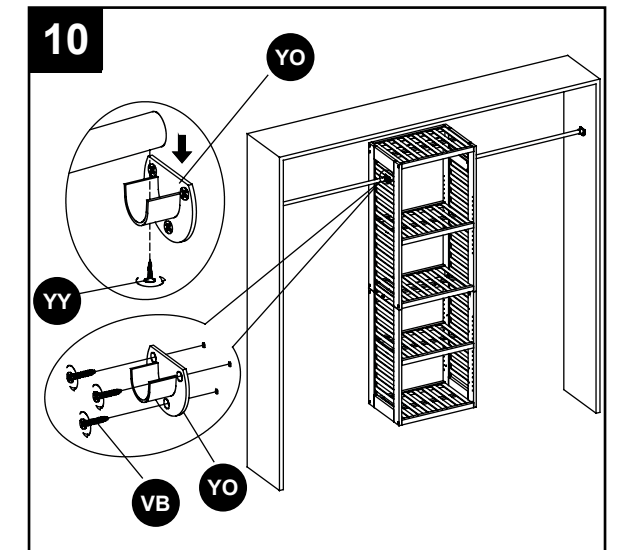
10. Fije los soportes de varilla cerrados (YO) al panel lateral superior izquierdo (A) y al panel lateral superior derecho (B) con tornillos para madera de zinc M4 x 14 mm (VB). Inserte las varillas de metal de 22 mm (T) en los soportes de varilla abiertos (YO), y asegúrelos con tornillos autorroscantes M4 x 15 mm (YY).

### Aditamentos utilizados

**VB** Tornillo para madera de zinc M4 x 14 mm  x 6

**YO** Soporte de varilla abierto  x 2

**YY** Tornillo autorroscante M4 x 15 mm  x 2



## CUIDADO Y MANTENIMIENTO

- Revise periódicamente para asegurarse de que todos los componentes estén ubicados de forma correcta, que no estén dañados y que estén firmemente conectados.
- Utilice un paño suave y limpio que no raye la superficie al limpiarla.
- Nunca utilice agua para limpiar los muebles, ya que puede provocar daños en el acabado.
- Limpie con un paño húmedo y un limpiador suave. Seque con un paño limpio.
- En el caso de que el mueble se tiña o se dañe durante el uso, le recomendamos que llame a un profesional para repararlo.
- Mantenga el mueble lejos de la luz solar directa, ya que puede provocar daños en el acabado.
- Es mejor mantener los muebles en un ambiente climatizado. Los cambios extremos de temperatura y de humedad pueden ocasionar decoloración, deformación, contracciones y grietas en la madera.
- Se proporciona un aplicador de retoque (KK) (excepto en el artículo # 1465191, 1465192) para reparar rasguños o rayones que pueden ocurrir durante el ensamblaje o envío.
- En caso de dañarse el artículo # 1465191, 1465192 y de necesitar un retoque, aplique un pulidor de madera de buena calidad a la superficie dañada. No se incluye el pulidor con este artículo.

## SOLUCIÓN DE PROBLEMAS

PROBLEMA	CAUSA POSIBLE	ACCIÓN CORRECTIVA
Un extremo de la varilla de metal no se apoya correctamente sobre el soporte de varilla abierto (YO).	La abertura del soporte de varilla abierto no apunta hacia arriba en dirección vertical.	Use un nivel de calidad para asegurarse de que el borde plano del soporte de varilla abierto esté nivelado durante la instalación.
El kit de la varilla está inclinado.	Los soportes de varilla abiertos y cerrados no están instalados al mismo nivel.	Use un nivel de calidad para asegurarse de que ambos soportes de varilla queden nivelados.
El tornillo atravesó el panel lateral.	Utilizó un tornillo para madera M4 x 38 mm para instalar el soporte de varilla en el costado del gabinete.	Use tornillos para madera M4 x 14 mm.
La torre para armario ventilada está inclinada.	Los listones de colgante para pared no están nivelados.	Vuelva a instalar los listones de colgante para pared y asegúrese de que queden nivelados.
No puede colgar la torre para armario ventilada en la pared.	Las ubicaciones de los orificios de montaje no son las correctas.	Vuelva a instalar los listones de colgante para pared; asegúrese de que el espacio entre los dos listones de colgante para pared sea de 40.6 pulg (103,2 cm) y de que la ubicación de los dos orificios de montaje de la parte inferior no quede a menos de 31-1/2 pulg (80,01 cm) del piso.

## GARANTÍA

La garantía de este producto (exclusiva de las repisas) es válida para el comprador original. Si esta unidad presenta alguna falla debido a defectos en los materiales o la mano de obra, el fabricante reemplazará o reparará a su discreción este artículo sin cargos. La garantía se anula si el producto no se ensambló correctamente y debido al mal uso, abuso por sobrecarga, modificación de cualquier tipo o daños producidos por un accidente. Esta garantía no es transferible y no cubre el desportillado, desprendimiento, rayones, oxidación, abolladuras u otros daños en la superficie de este producto. La responsabilidad del fabricante se limita a la reparación o el reemplazo de este producto. El fabricante no se hará responsable por daños accidentales o resultantes u otros daños o pérdidas causadas por fallas del producto.

Esta garantía reemplaza a todas las demás garantías explícitas. Algunos estados no permiten la exclusión o limitación de los daños accidentales o resultantes, de modo que las limitaciones anteriores pueden no aplicarse en su caso. Esta garantía le otorga derechos legales específicos, y podría tener otros derechos, que varían según el estado.

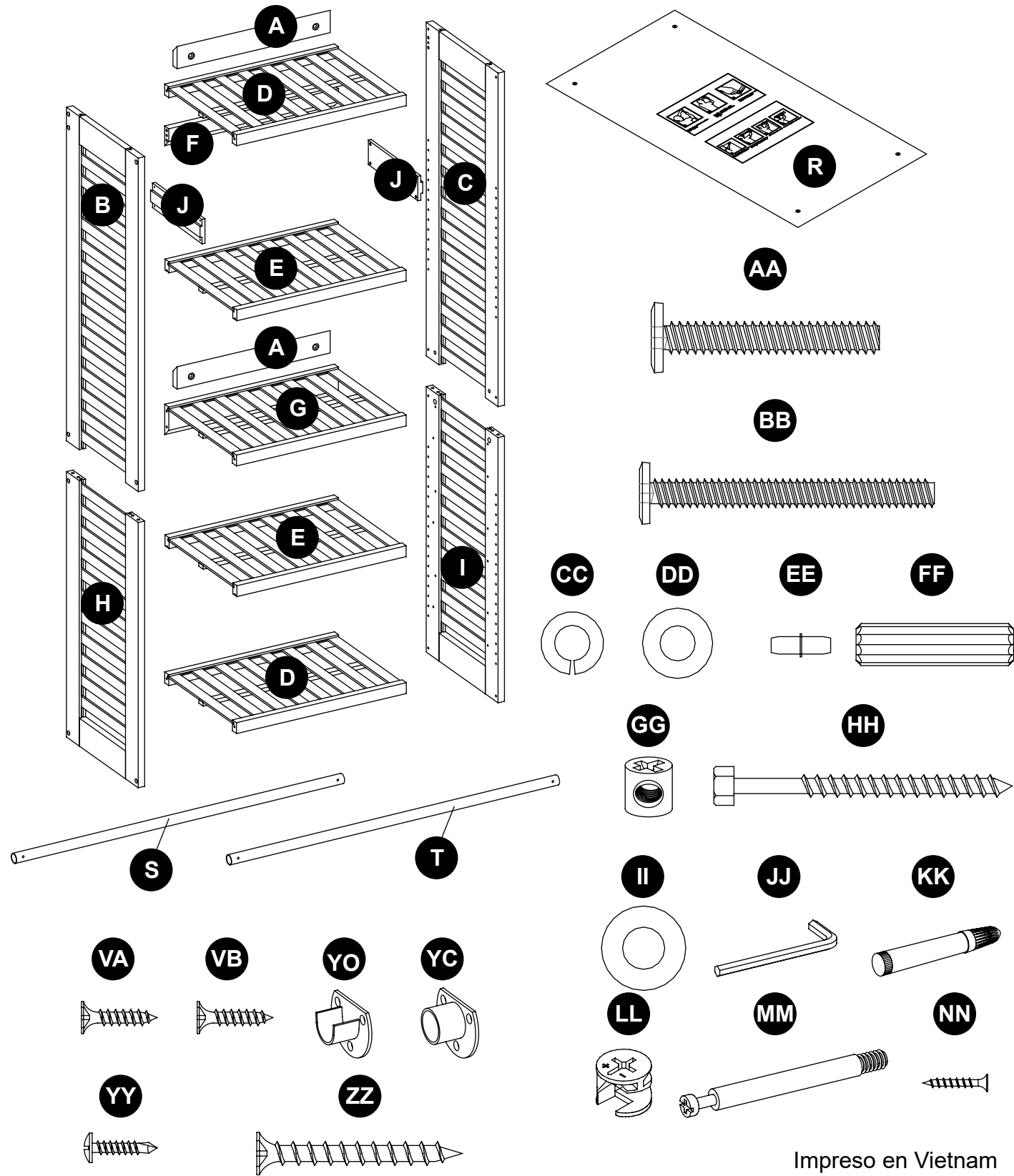
## LISTA DE PIEZAS DE REPUESTO

Para obtener piezas de repuesto, llame a nuestro Departamento de Servicio al Cliente al 1-866-439-9800, de lunes a viernes de 8 a.m. a 8 p.m., hora estándar del Este.

PART	DESCRIPTION	PART #
A	Listón de colgante para pared	*LWSVCKJ/W/G-1-WHC
B	Panel lateral superior izquierdo	*LWSVCKJ/W/G-2-ULSP
C	Panel lateral superior derecho	*LWSVCKJ/W/G-3-URSP
D	Repisa fija superior/inferior	*LWSVCKJ/W/G-4-T/BFS
E	Repisa ajustable	*LWSVCKJ/W/G-5-AS
F	Listón de montaje	*LWSVCKJ/W/G-6-MC
G	Repisa fija central	*LWSVCKJ/W/G-7-MFS
H	Panel lateral inferior izquierdo	*LWSVCKJ/W/G-8-LLSP
I	Panel lateral inferior derecho	*LWSVCKJ/W/G-9-LRSP
J	Soporte de madera	*LWSVCKJ/W/G-10-WS
R	Plantilla de instalación	*LWSVCKJ/W/G-11-IT
S	Varilla de metal de 25 mm	*LWSVCKJ/W/G-12-25MP
T	Varilla de metal de 22 mm	*LWSVCKJ/W/G-13-22MP
AA	Perno M6 x 40 mm	*LWSVCKJ/W/G-14-MB
BB	Perno M6 x 60 mm	*LWSVCKJ/W/G-15-MB
CC	Arandela plana	*LWSVCKJ/W/G-16-LW
DD	Arandela plana pequeña	*LWSVCKJ/W/G-17-SFW
EE	Pasador de repisa	*LWSVCKJ/W/G-18-SP
FF	Espiga grande de madera	*LWSVCKJ/W/G-19-LWD
GG	Tuerca cilíndrica	*LWSVCKJ/W/G-20-BN
HH	Tirafondo M8 x 2-1/2 pulg	*LWSVCKJ/W/G-21-MLB
II	Arandela plana grande	*LWSVCKJ/W/G-22-LFW
JJ	Llave hexagonal	*LWSVCKJ/W/G-23-HW
KK	Aplicador de retoque	*LWSVCKJ-24-TP
LL	Cerrojo de leva grande	*LWSVCKJ/W/G-25-LCL
MM	Perno de leva grande	*LWSVCKJ/W/G-26-LCB
NN	Tornillo para madera M3.5 x 12 mm	*LWSVCKJ/W/G-27-MWS
VA	Tornillo para madera M4 x 14 mm	*LWSVCKJ/W/G-28-MWS
VB	Tornillo para madera de zinc M4 x 14 mm	*LWSVCKJ/W/G-29-MZWS
YO	Soporte de varilla abierto	*LWSVCKJ/W/G-30-OPH
YC	Soporte de varilla cerrado	*LWSVCKJ/W/G-31-CPH
YY	Tornillo autorroscante M4 x 15 mm	*LWSVCKJ/W/G-32-MSS
ZZ	Tornillo de zinc M4 x 38 mm	*LWSVCKJ/W/G-33-MZS
	Todos los aditamentos	*LWSVCKJ/W/G-34-CH

**LISTA DE PIEZAS DE REPUESTO**

Para obtener piezas de repuesto, llame a nuestro Departamento de Servicio al Cliente al 1-866-439-9800, de lunes a viernes de 8 a.m. a 8 p.m., hora estándar del Este.



Impreso en Vietnam

allen + roth® es una marca registrada de LF, LLC. Todos los derechos reservados.

Fecha: 2019-08-08 Rev. 0001-A