



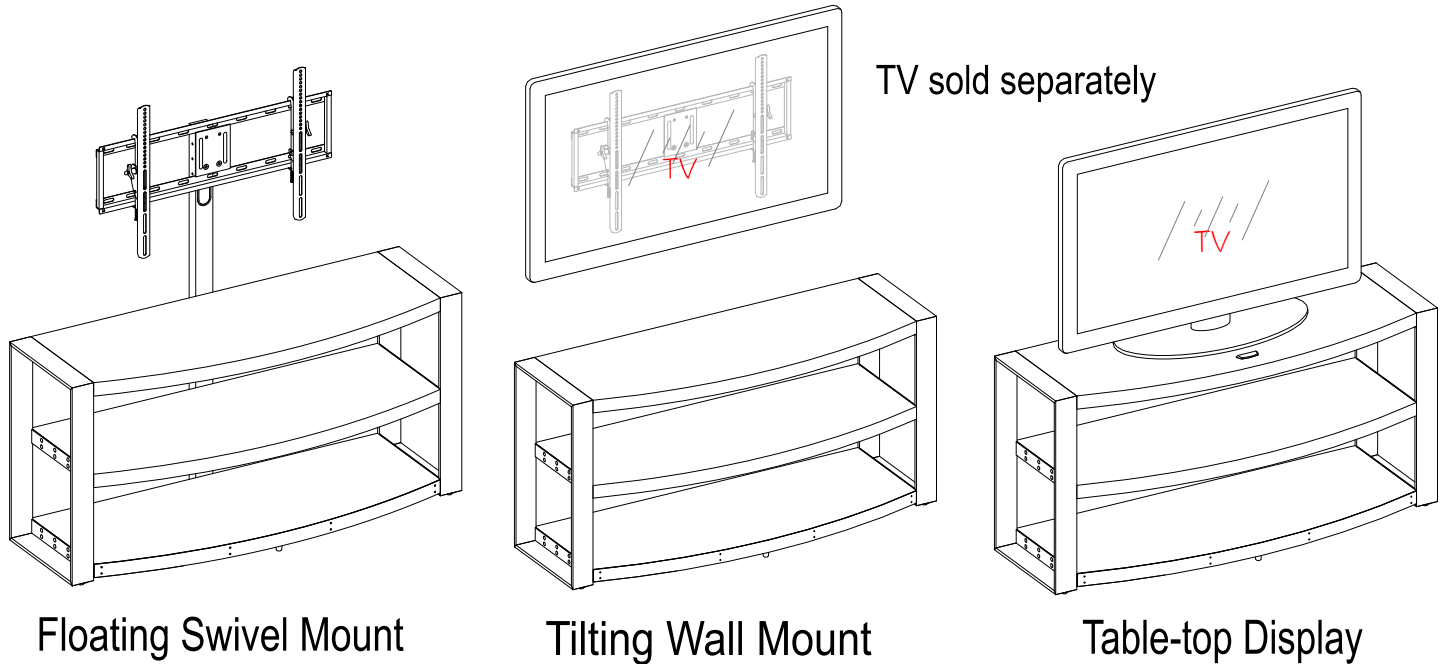
LOT NUMBER: \_\_\_\_\_  
DATE PURCHASED: \_\_/\_\_/\_\_

## Sylvan 3-in-1™ Console

Stock # SYL3IN1C

U.S. Patent 8,622,005

This item is designed to be a 3-in-1 configuration. Please choose the option that best suits your needs. DO NOT discard any of the hardware or parts that you will not use on your chosen option. This will allow you to use this TV Console in different configurations at a later date, if desired.



Floating Swivel Mount

Tilting Wall Mount

Table-top Display

### ADULT ASSEMBLY REQUIRED

If you have any questions regarding assembly or if parts are missing, DO NOT return this item to the store where it was purchased. Please call our customer service number and have your instructions and parts list ready to provide the model name, part name or factory number:

1-866-942-5362      8:30 a.m. - 4:30 p.m., PST, Monday - Friday  
ONLINE: [www.whalenstyle.com](http://www.whalenstyle.com)      EMAIL: [parts@whalenfurniture.com](mailto:parts@whalenfurniture.com)



#### Video Instruction Guides

Go to <http://whalen.showuhow.com> to view step-by-step instructional videos for assembling and installing your product. Enter the following product number on the ShowUhow homepage.

**SYL3IN1C**

**THIS INSTRUCTION BOOKLET CONTAINS IMPORTANT SAFETY INFORMATION.  
PLEASE READ AND KEEP FOR FUTURE REFERENCE.**

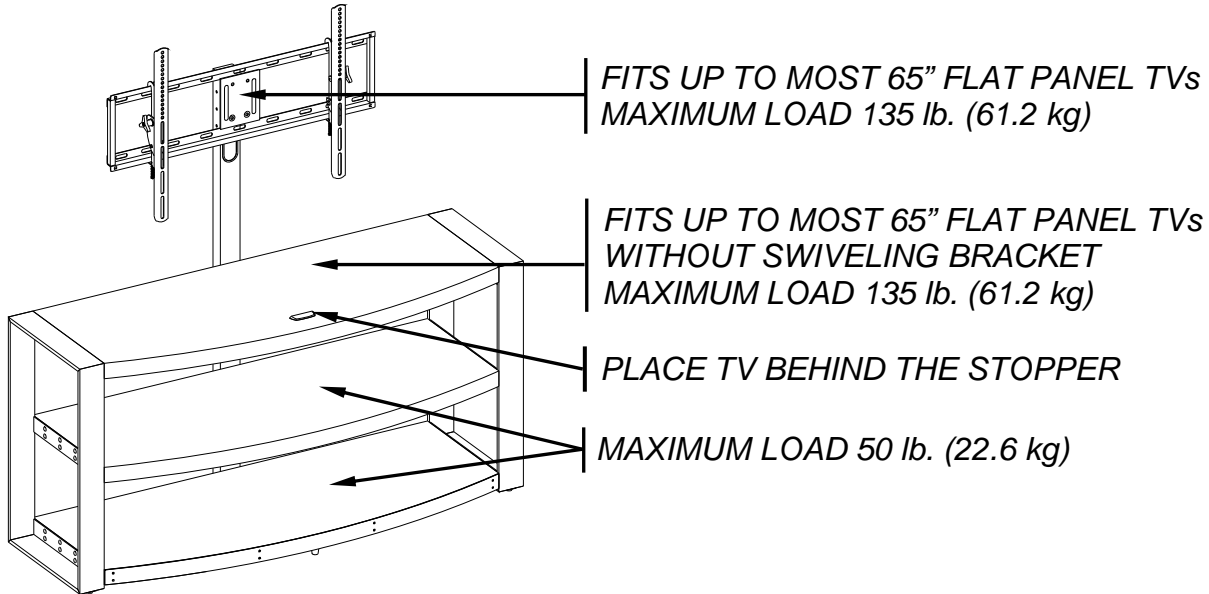
## MAXIMUM RECOMMENDED WEIGHT LOADS

MANUFACTURER: Whalen Furniture Manufacturing Inc.

CATALOG: Sylvan 3-in-1™ Console (SYL3IN1C)

DATE OF MANUFACTURE: April 2014

MADE IN CHINA



### **⚠ WARNING**

THIS UNIT IS NOT INTENDED FOR USE WITH CRT TVS. USE ONLY WITH FLAT PANEL TVS AND AUDIO/VIDEO EQUIPMENT MEETING RECOMMENDED SIZE AND WEIGHT LIMITS. NEVER USE WITH LARGER/HEAVIER THAN RECOMMENDED FLAT PANEL TVS OR EQUIPMENT. TO AVOID INSTABILITY, PLACE FLAT PANEL TV IN THE CENTRE OF THE UNIT; DO NOT ALLOW TV TO OVERHANG UNIT IN ANY DIMENSION. IMPROPERLY POSITIONED FLAT PANEL TVS, OR FLAT PANEL TVS OR OTHER EQUIPMENT THAT EXCEED RECOMMENDED SIZE AND WEIGHT LIMITS COULD FALL OFF OR BREAK THE UNIT, CAUSING POSSIBLE SERIOUS INJURY.

## GENERAL INFORMATION, TIPS and TRICKS

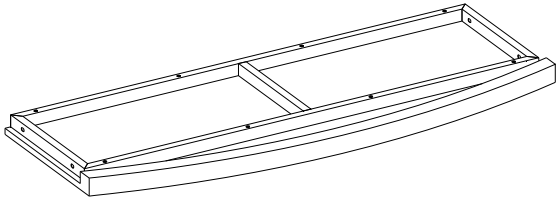
1. Please read the Assembly Instructions prior to assembling this product.
2. Remove all hardware from the box and sort by size.
3. Check to see that all hardware and parts are present BEFORE assembling.
4. Ask a friend to assist you with the assembly of this furniture.
5. To avoid damage, assemble the product on a sturdy, level and protective surface.
6. Please wait until all steps are completed before fully tightening bolts.
7. Make sure all bolts are tightly fastened before the unit is used.

This product is sold with one set of Tipping Restraint Hardware Kit. You must install the Tipping Restraint Hardware between the wall and the TV console to prevent any accidents or damages. When properly installed, this restraint can provide protection against the unexpected tipping of the unit due to small tremors, bumps or climbing. The restraint is only a deterrent and is not a substitute for proper adult supervision. Use of tip-over restraints may only reduce, but not eliminate, the risk of tip-over.

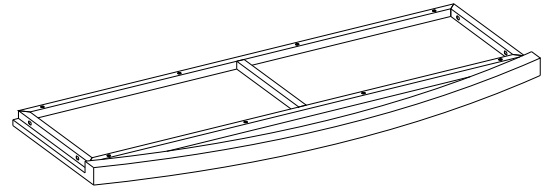
Please call for replacement parts or assistance: **1-866-942-5362**

### Parts and Hardware List

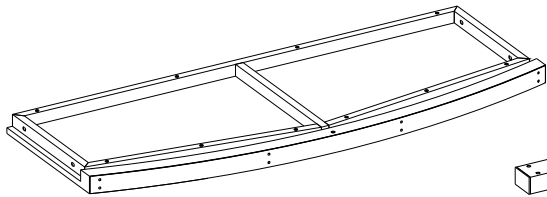
Please read completely through the instructions and verify that all listed parts and hardware are present before beginning assembly.



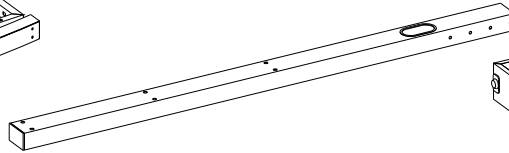
A- Top Shelf with Metal Frame (1)



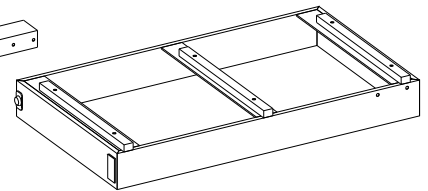
B- Middle Shelf with Metal Frame (1)



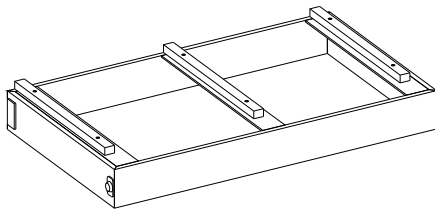
C- Bottom Shelf with Metal Frame (1)



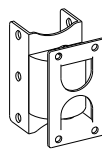
D- Spine (1)



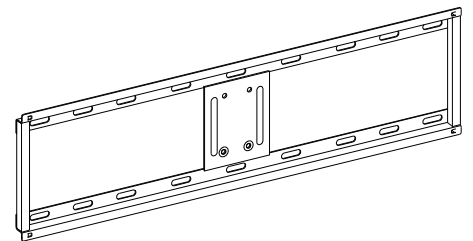
E- Left Side Frame (1)



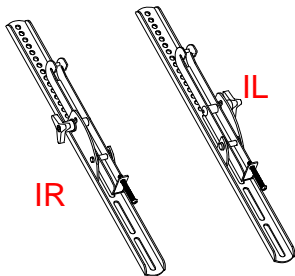
F- Right Side Frame (1)



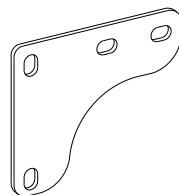
G- Swiveling Bracket (1)



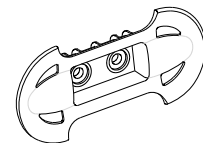
H- Mounting Frame (1)



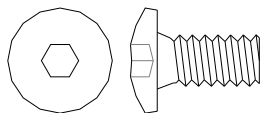
I- Monitor Bracket (2)



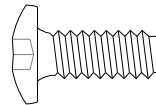
J- Metal Bracket (2)



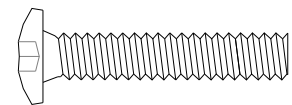
K- Cable Wheel (3)



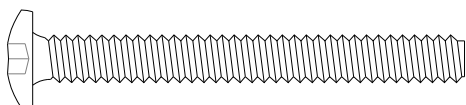
(1) 1/2" Bolt (4+1 extra)



(2) 5/8" Bolt (20+1 extra)



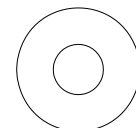
(3) 1-1/4" Bolt (12+1 extra)



(4) 2-1/4" Bolt (6+1 extra)



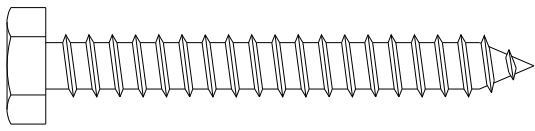
(5) Lock Washer (36+1 extra)



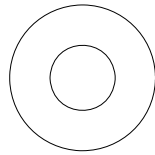
(6) Flat Washer (36+1 extra)

## Parts and Hardware List

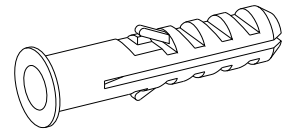
Please read completely through the instructions and verify that all listed parts and hardware are present before beginning assembly.



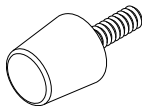
(7) 2-1/2" Lag Bolt (4)



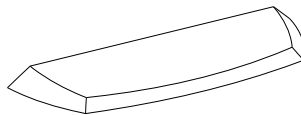
(8) Large Flat Washer (4+1 extra)



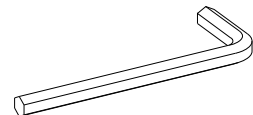
(9) Concrete Anchor (4)



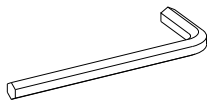
(10) Large Floor Leveler (1)



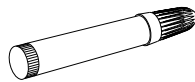
(11) Acrylic Stopper (1)



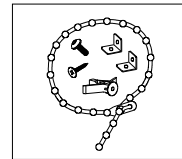
M4 Allen Wrench (2)



3/16" Allen Wrench (1)

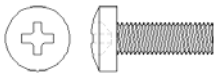


Touch-up Pen (1)

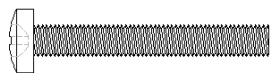


Tipping Restraint Hardware Kit (1)  
(Inside Plastic Bag)

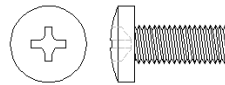
### TV Mounting Kit



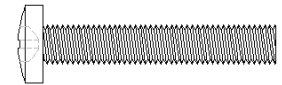
M4 x 12 Bolt (4)



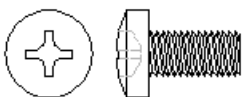
M4 x 30 Bolt (4)



M5 x 12 Bolt (4)



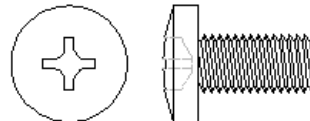
M5 x 30 Bolt (4)



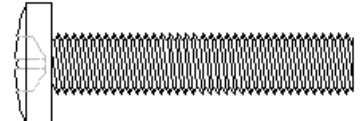
M6 x 12 Bolt (4)



M6 x 35 Bolt (4)



M8 x 16 Bolt (4)



M8 x 40 Bolt (4)



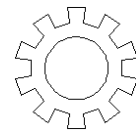
M4 Lock Washer (4)



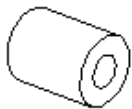
M5 Lock Washer (4)



M6 Lock Washer (4)



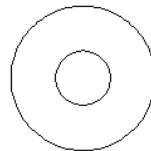
M8 Lock Washer (4)



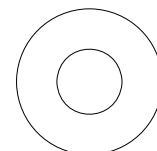
Large Spacer (4)



Small Spacer (4)



M4/M5 Flat Washer (8)

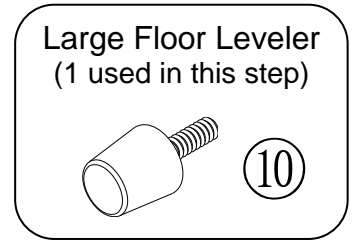
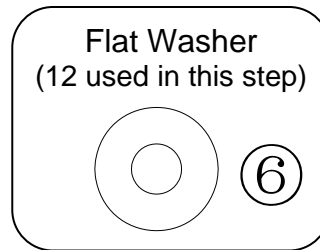
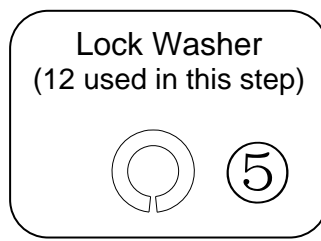
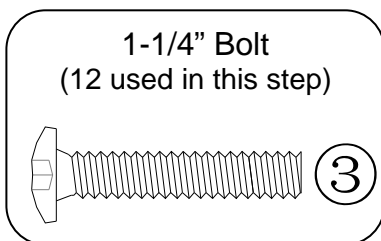
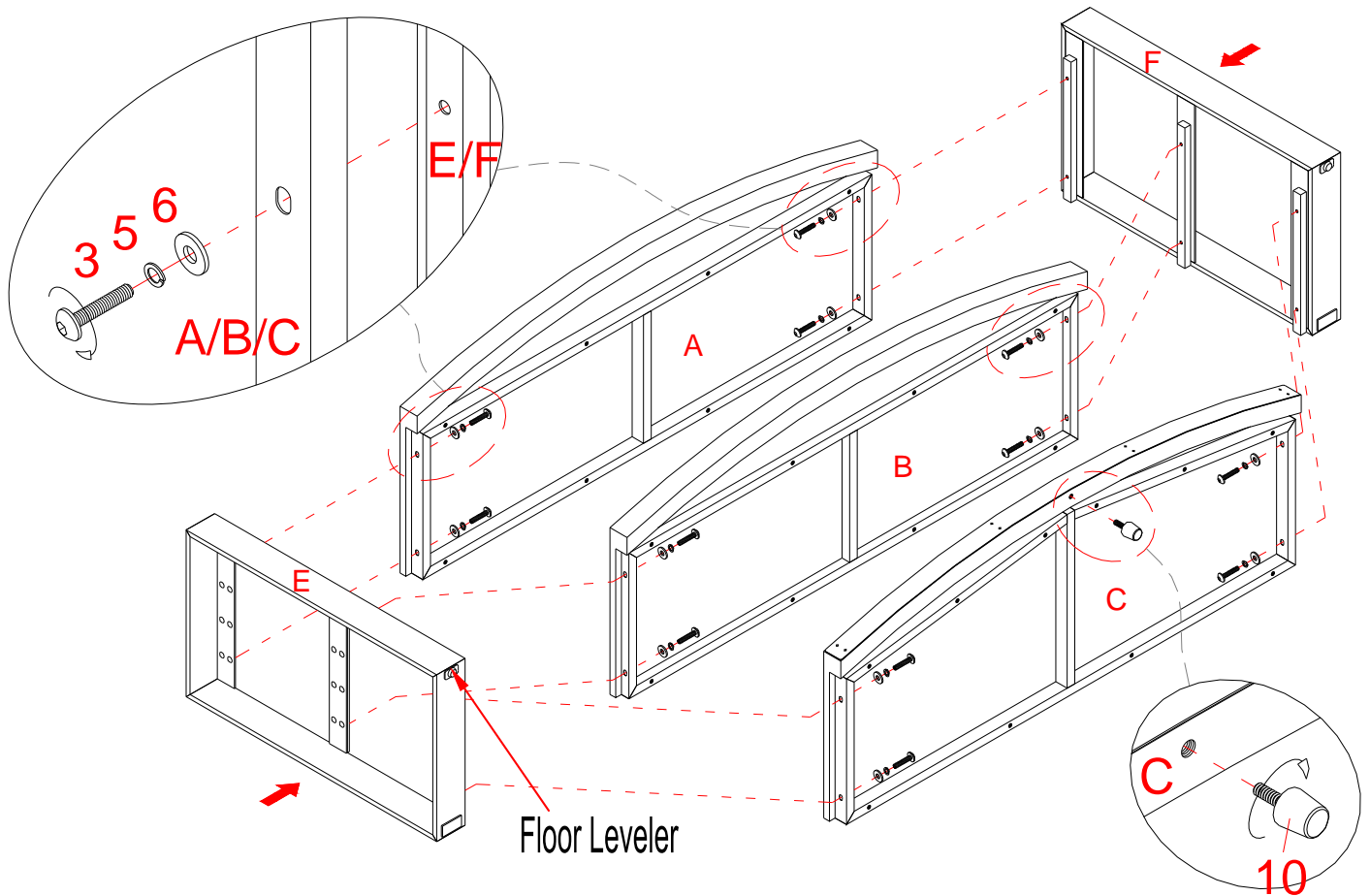


M6/M8 Flat Washer (4)

Tools required: Allen wrench (provided) and Phillips screwdriver (not provided).

Please call for replacement parts or assistance: 1-866-942-5362

## Assembly Instructions



**NOTE:** Please do not fully tighten all bolts until you finish assembling all parts. Once assembled, go back and fully tighten all bolts. This will make the assembly easier.

1. Unpack the unit and confirm that you have all the hardware and required parts.
2. Align and attach 3 Shelves (A, B and C) between the Left and Right Side Frames (E and F) by inserting the 1-1/4" Bolts (3) with Lock Washers (5) and Flat Washers (6) through the drilled holes on the metal frame side rails and screw into the threaded sockets on the side frames. As shown. Make sure that the back edges are even with each other and the metal frames will face the floor when the unit is turned upright.
3. Tightly screw the Large Floor Leveler (10) into the threaded insert underneath the Bottom Shelf (C) and set it to the correct height, as shown above.

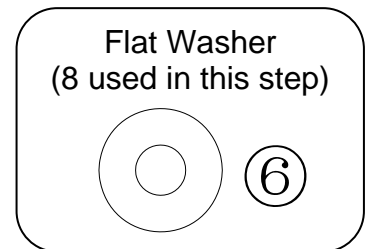
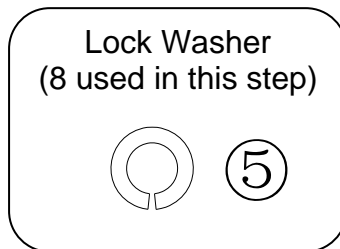
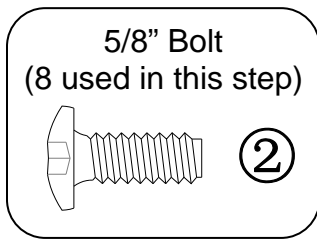
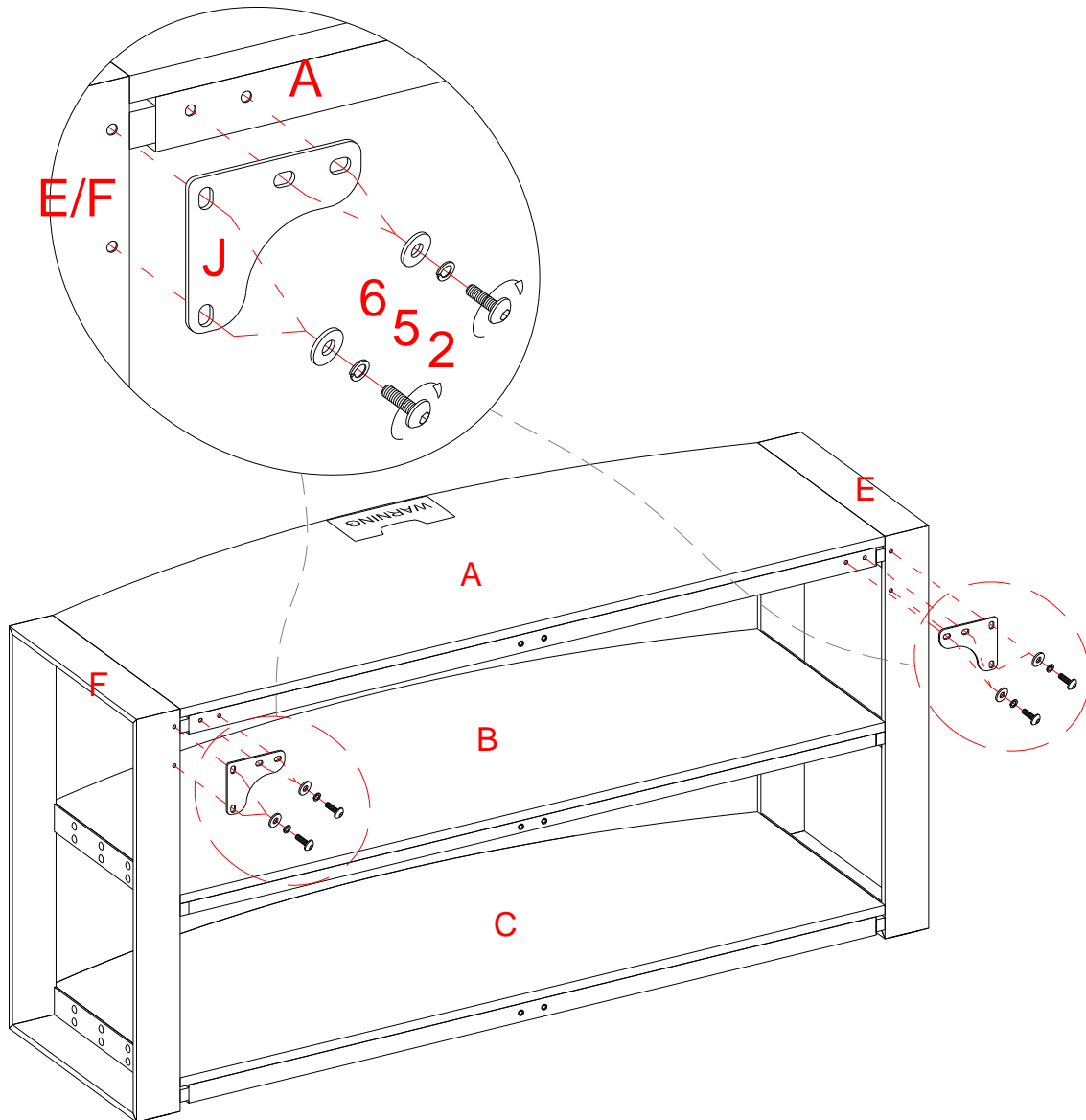
Please call for replacement parts or assistance: 1-866-942-5362

Whalen Furniture Manufacturing Inc.

Page 5

Factory No. 10944

## Assembly Instructions

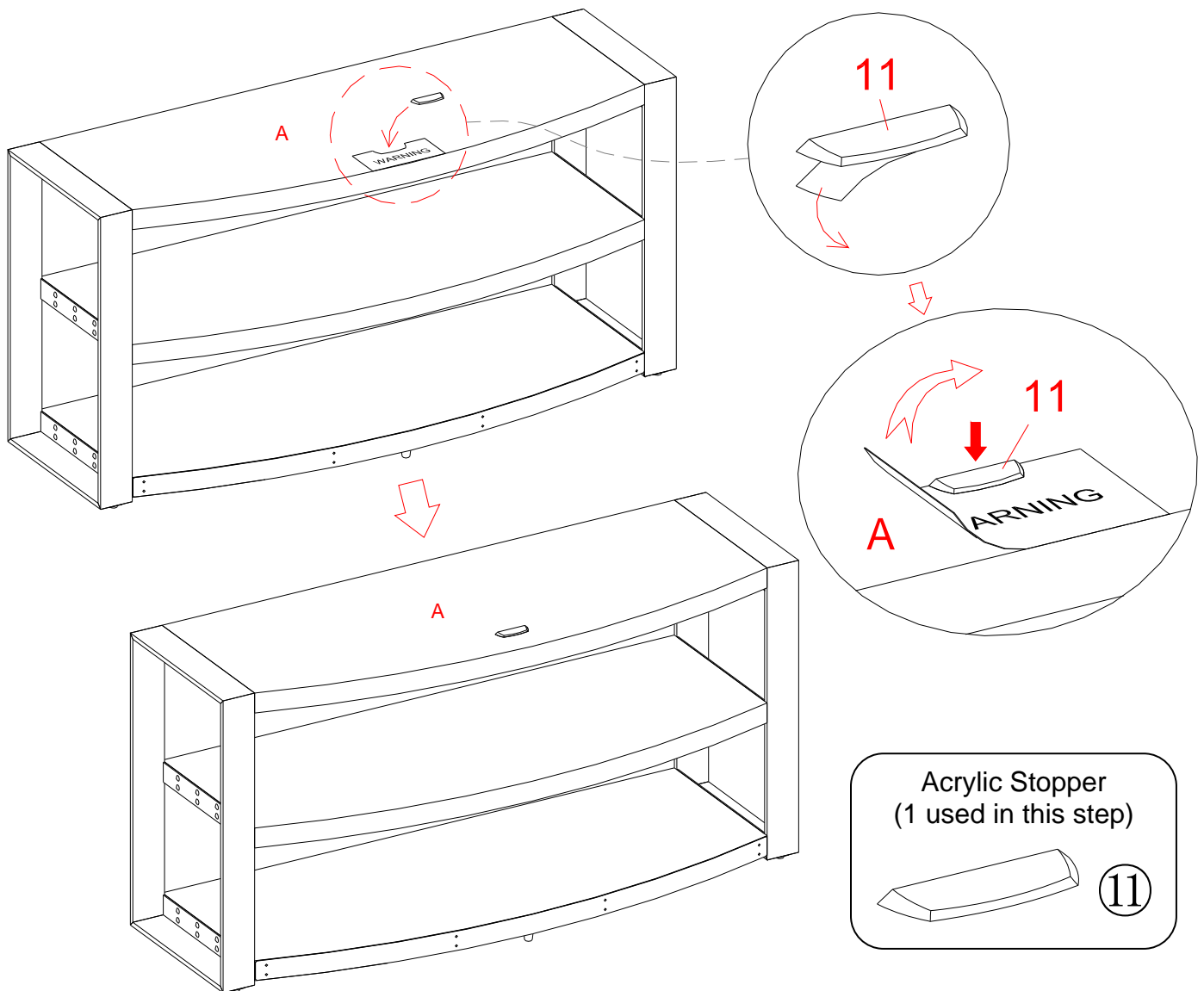


4. Stand the unit upright.
5. Fasten 2 Metal Brackets (J) to connect the Top Shelf Metal Frame (A) with both Side Frames (E and F), using four 5/8" Bolt (2) and four Washers (5 and 6) per bracket. As shown.

**NOTE:** If mounting the TV to the Floating Swivel Mount, skip ahead to PAGE 9.

Please call for replacement parts or assistance: 1-866-942-5362

## Assembly Instructions for Table-top Console



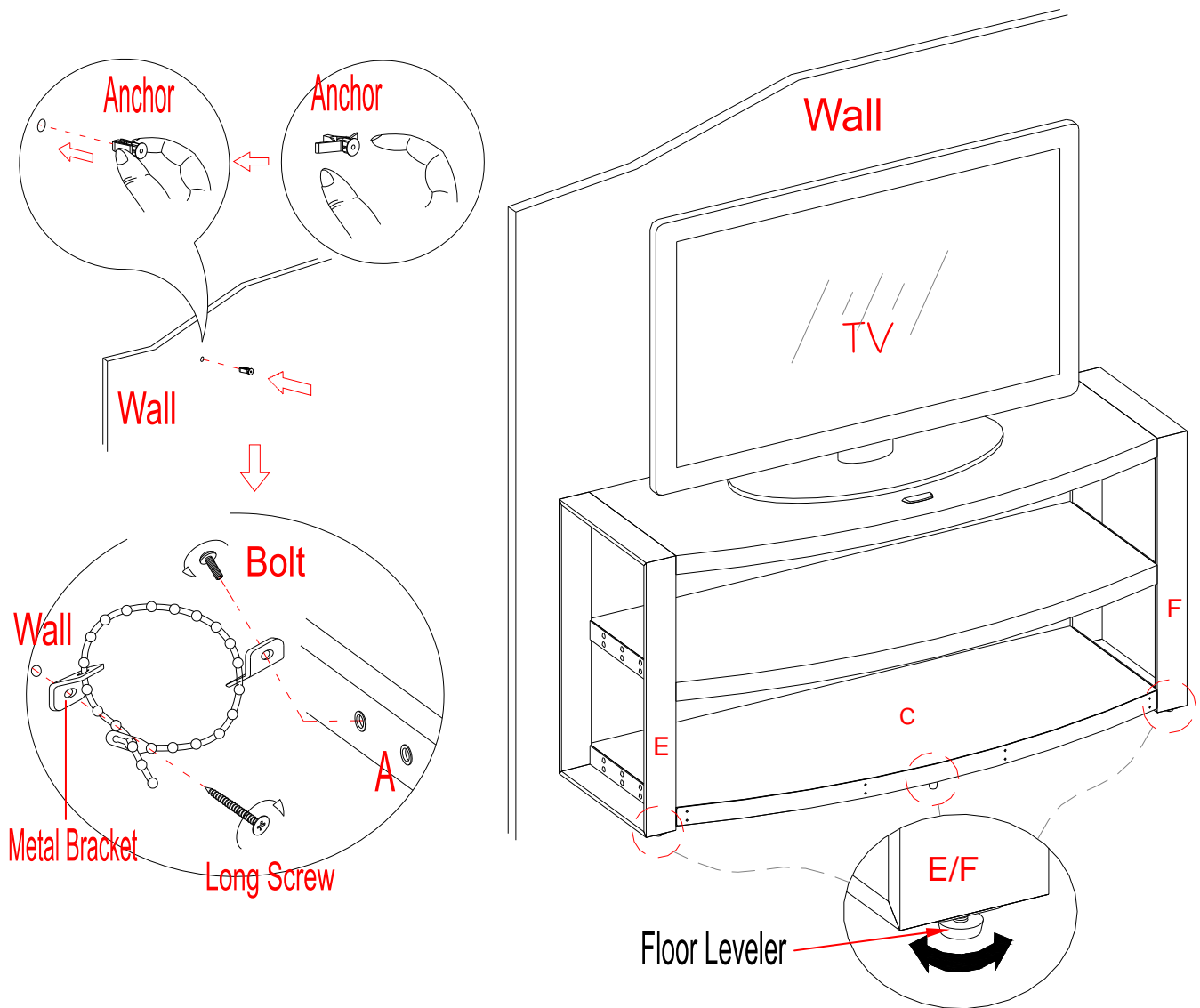
**NOTE:** You must install the Acrylic TV Stopper to prevent TV from tipping when placing your flat panel television directly on the table-top console. If mounting the TV to the wall, proceed directly to next page.

6. Remove the tape of Acrylic Stopper (11) and place it in the cut-out of the acrylic stopper template on the Top Shelf (A). Make sure that it is properly aligned before applying pressure.
7. Remove the acrylic stopper template from the Top Shelf (A) carefully.

Please call for replacement parts or assistance: 1-866-942-5362



## Assembly Instructions for Table-top Console



**Tools required:** Allen wrench (provided), Phillips screwdriver, Mallet, Power Drill, and 3/8" Drill Bit.

- Position the assembled console at the desired location against a wall. If necessary, adjust the installed Large Floor Leveler (10) and the pre-attached Small Floor Levelers at the bottom of Side Frames (E and F) to level the unit. Now, follow the instructions printed on the plastic bag containing the Tipping Restraint Hardware to attach the tip-over restraint to the Top Shelf (A) and the wall.

**NOTE: YOU MUST USE THIS TIPPING RESTRAINT TO ATTACH THIS UNIT TO THE WALL, TO PREVENT ACCIDENTS AND/OR INJURIES.**

- The table-top console is now ready for use. Be sure to position your Flat Panel TV in the center of the console.

**NOTE:** For Tilting Wall Mount, proceed to PAGE #18.

Please call for replacement parts or assistance: 1-866-942-5362

Whalen Furniture Manufacturing Inc.

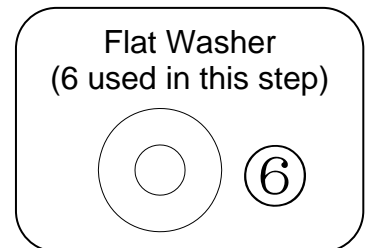
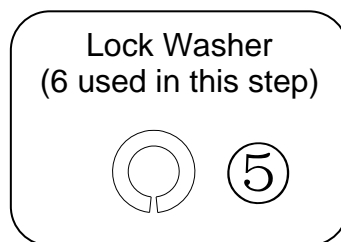
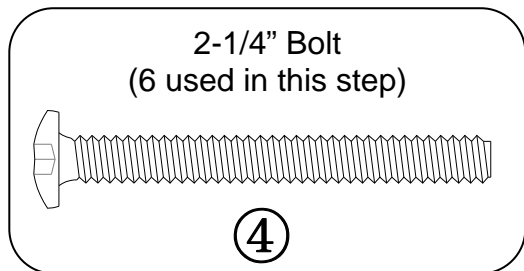
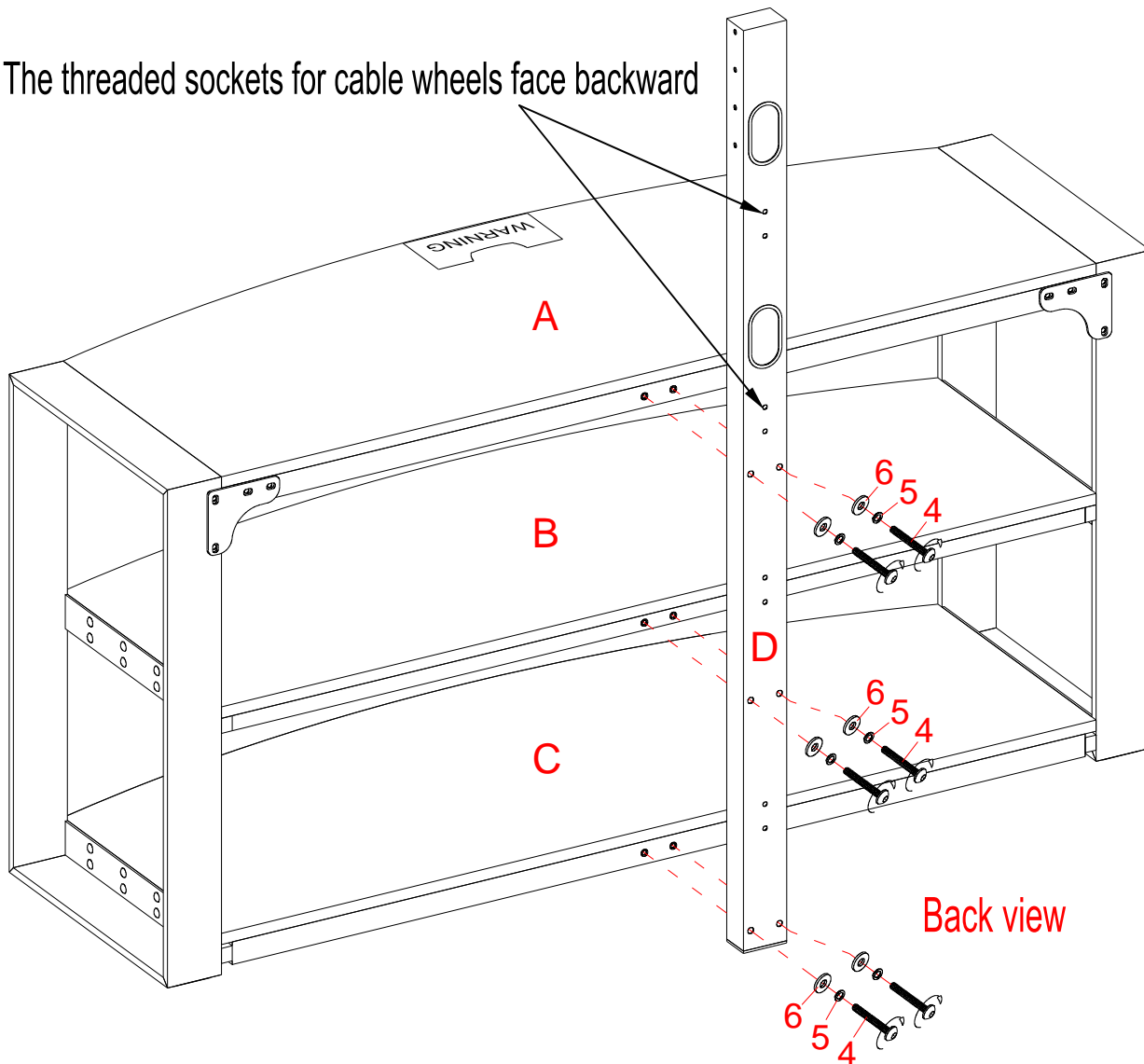
Page 8

Factory No. 10944



## Assembly Instructions for Floating Swivel Mount

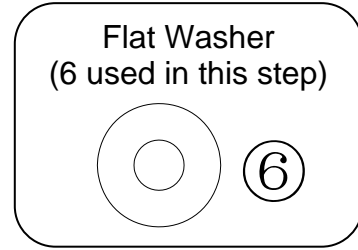
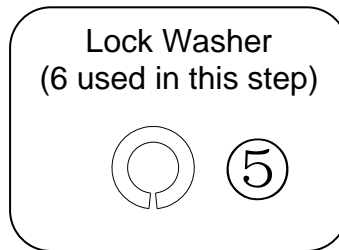
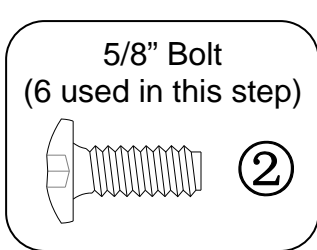
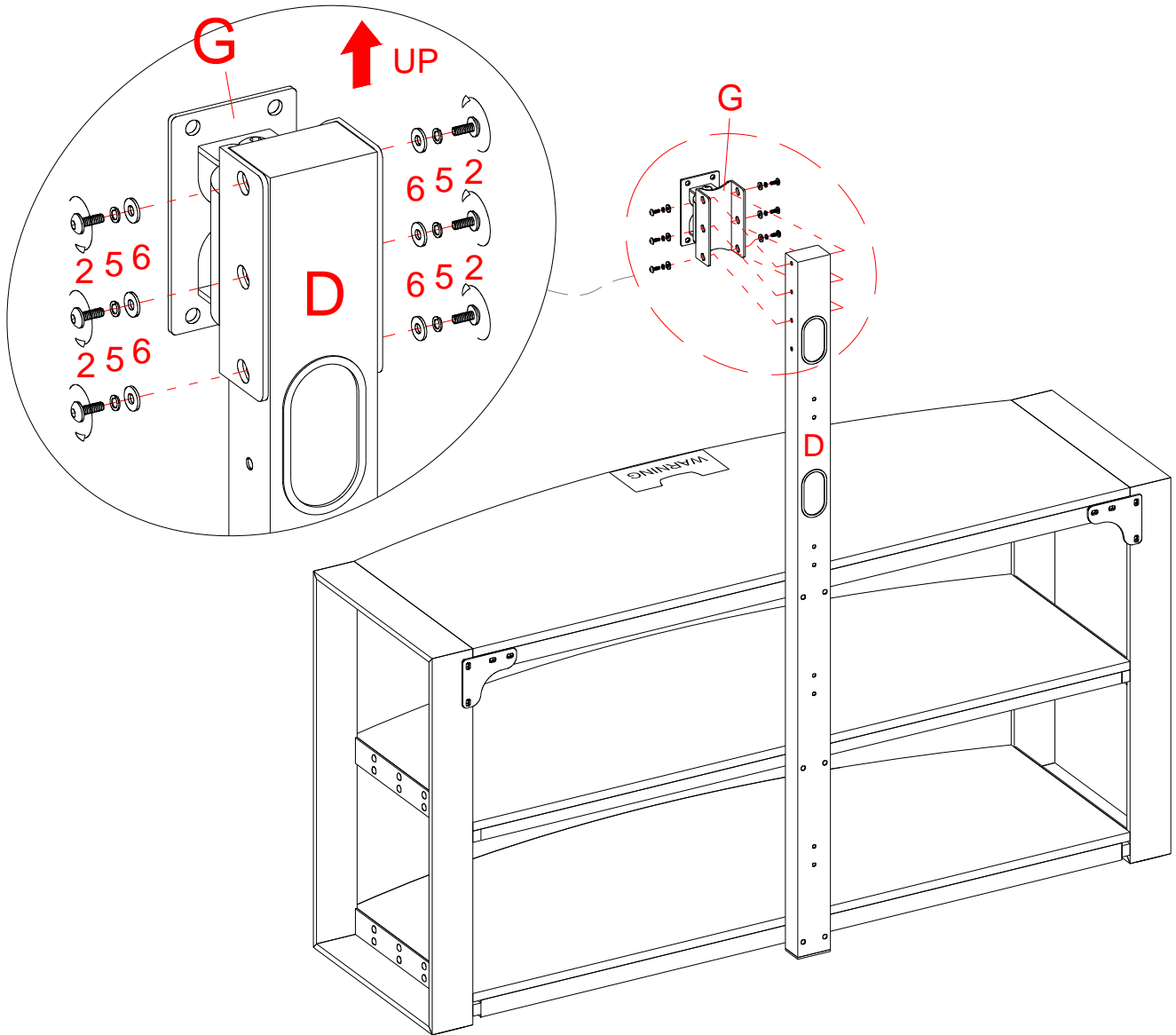
The threaded sockets for cable wheels face backward



10. Align and attach the Spine (D) to the back of the console with six 2-1/4" Bolts (4) and six Washers (5 and 6). Tighten the bolts with the enclosed M4 Allen Wrench. Make sure the threaded sockets for the Cable Wheel (K) face backward.

Please call for replacement parts or assistance: 1-866-942-5362

## Assembly Instructions for Floating Swivel Mount

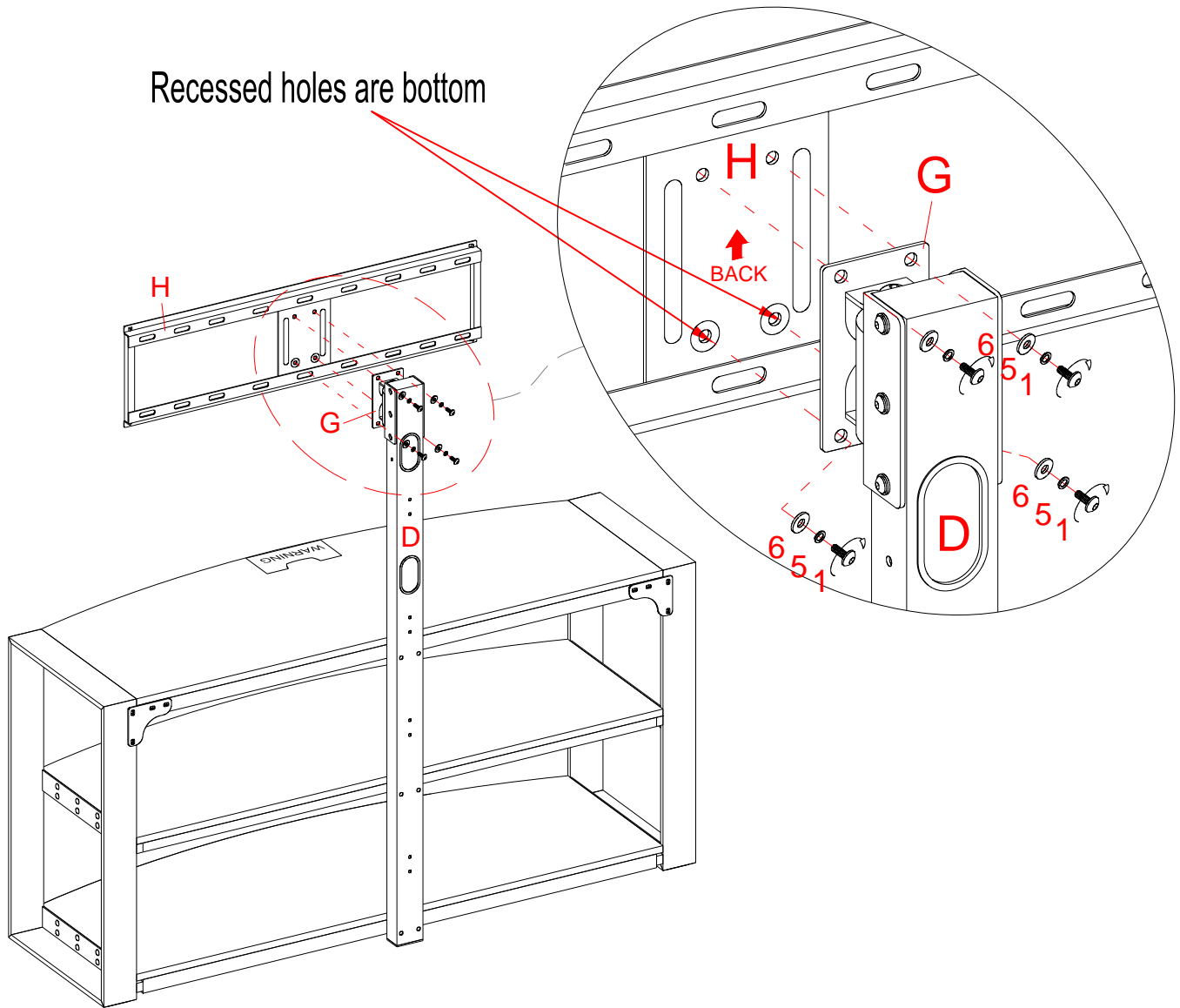


11. Fasten the Swiveling Bracket (G) to the top of the Spine (D) with six 5/8" Bolts (2) and six Washers (5 and 6) by the enclosed M4 Allen Wrench. Make sure the pivoting bolt head is up.

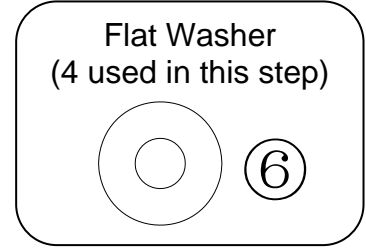
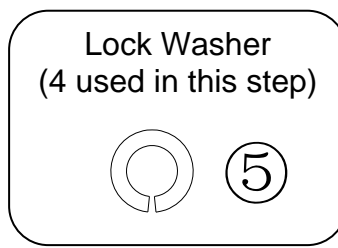
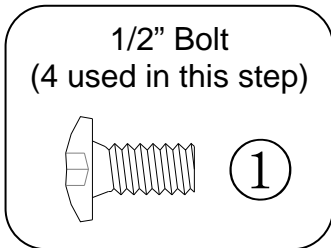
**NOTE:** The Spine can provide two height options for your TV set. Refer to your TV size and adjust the Swiveling Bracket at the desired height for optimum viewing.

Please call for replacement parts or assistance: 1-866-942-5362

## Assembly Instructions for Floating Swivel Mount

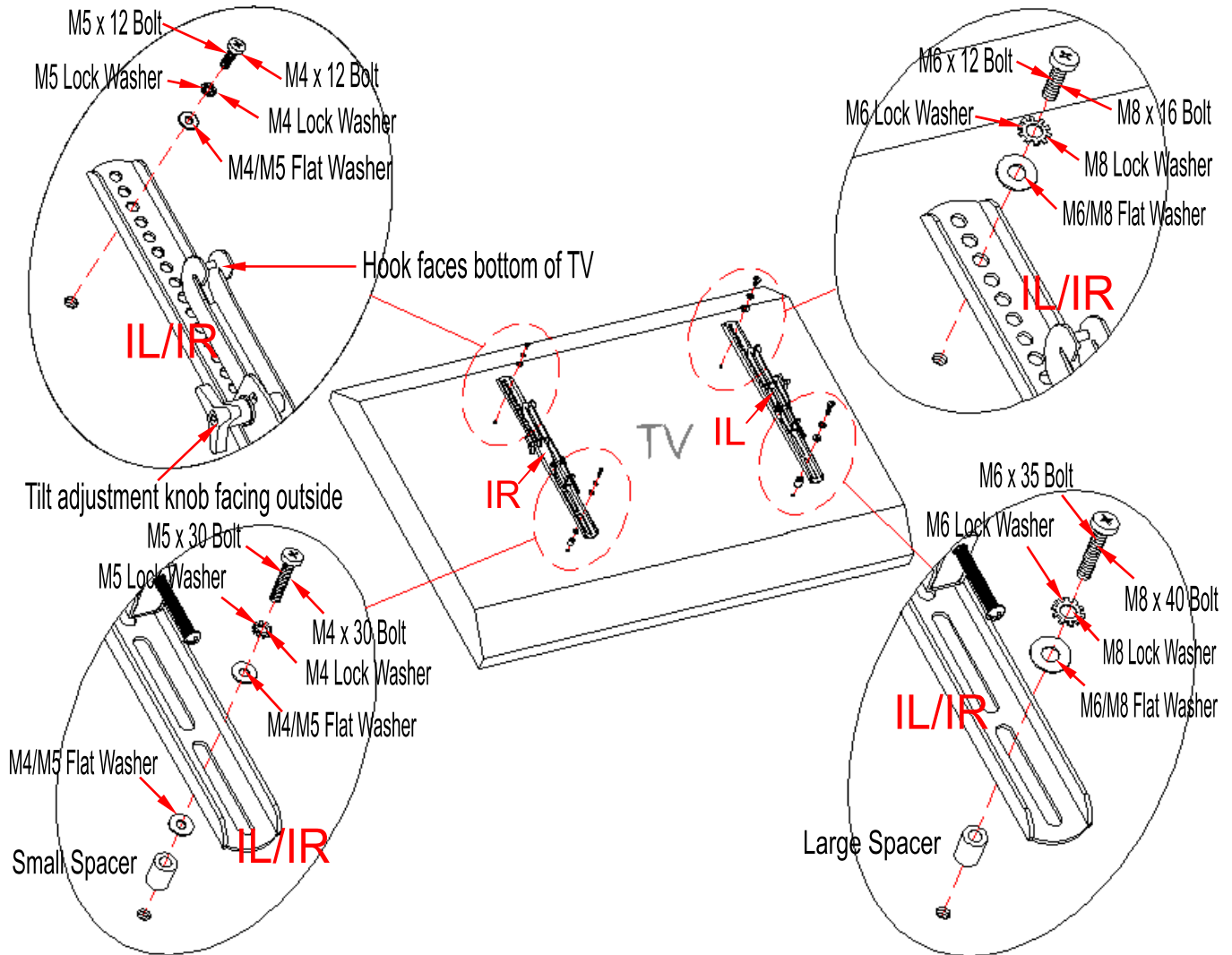


Recessed holes are bottom



12. Hold and attach the flat side of the Mounting Frame (H) to the Swiveling Bracket (G) using four 1/2" Bolts (1) and four Washers (5 and 6). Make sure that the recess holes on the Mounting Frame are at the bottom.

## Mounting the Monitor Brackets to a television with a Flat Back



**NOTE:** For televisions with a curved or recessed back, proceed directly to next page.

13. Determine the correct diameter of the Bolt the TV requires by hand threading them into the threaded insert on the back of the TV. If you encounter any resistance, stop immediately. If you are unable to find the correct Bolt, consult a local hardware store.
14. Follow the appropriate diagram above to attach the Monitor Brackets (IL/IR) to the back of the TV with the selected fasteners. Make sure the Monitor Brackets are vertically centered and level with each other. Secure the bolts with a Phillips screwdriver. DO NOT over tighten the bolts.

**NOTE:** Lean the TV up against a wall, or other solid surface, when attaching the Monitor Brackets. DO NOT place the TV face down on the glass as this may cause permanent damage.

NOTE: If mounting your TV in the Wall Mount configuration, once you have completed the installation of the monitor brackets, proceed to PAGE 18.

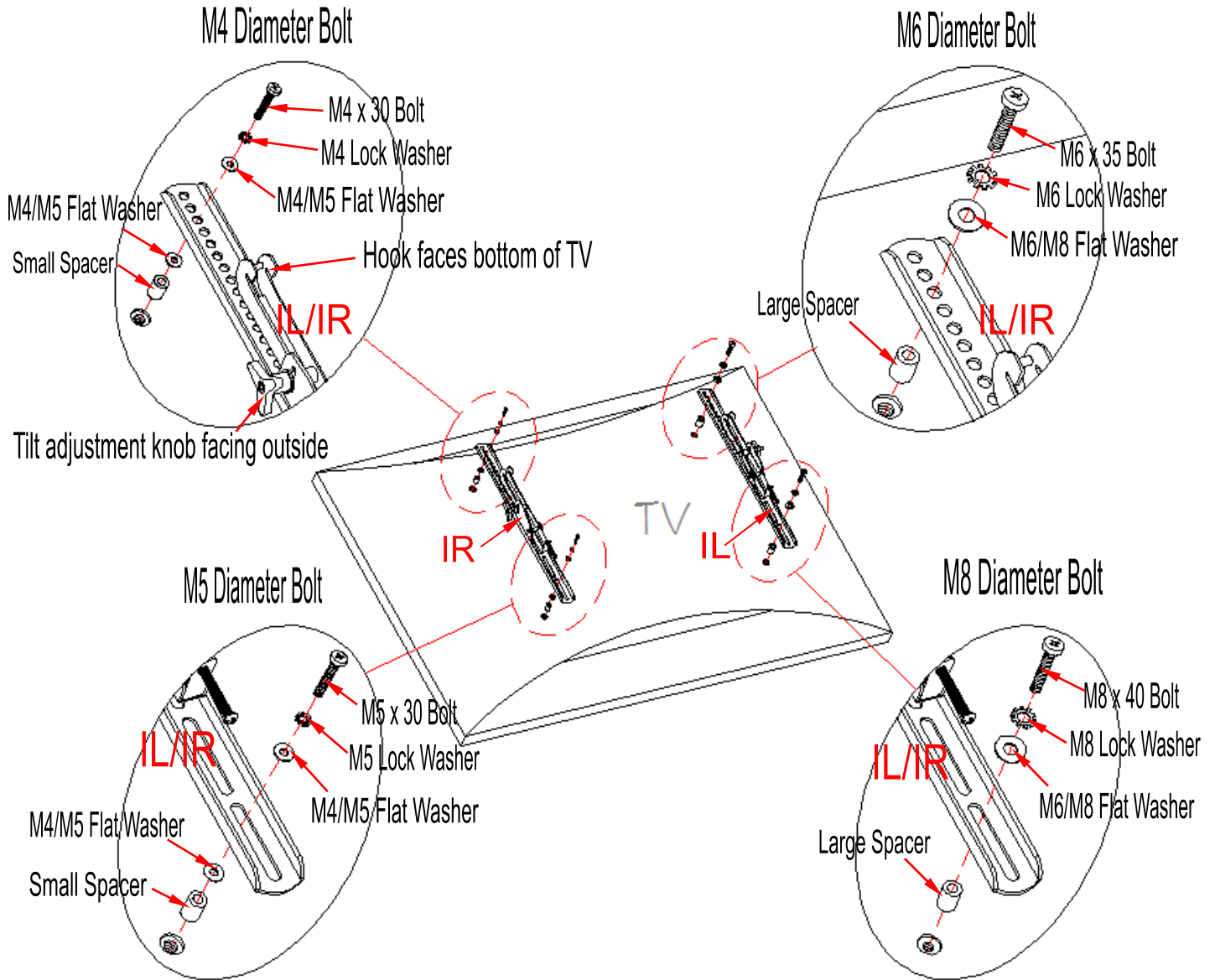
Please call for replacement parts or assistance: 1-866-942-5362

Whalen Furniture Manufacturing Inc.

Page 12

Factory No. 10944

## Mounting the Monitor Brackets to a television with a Curved/Recess Back



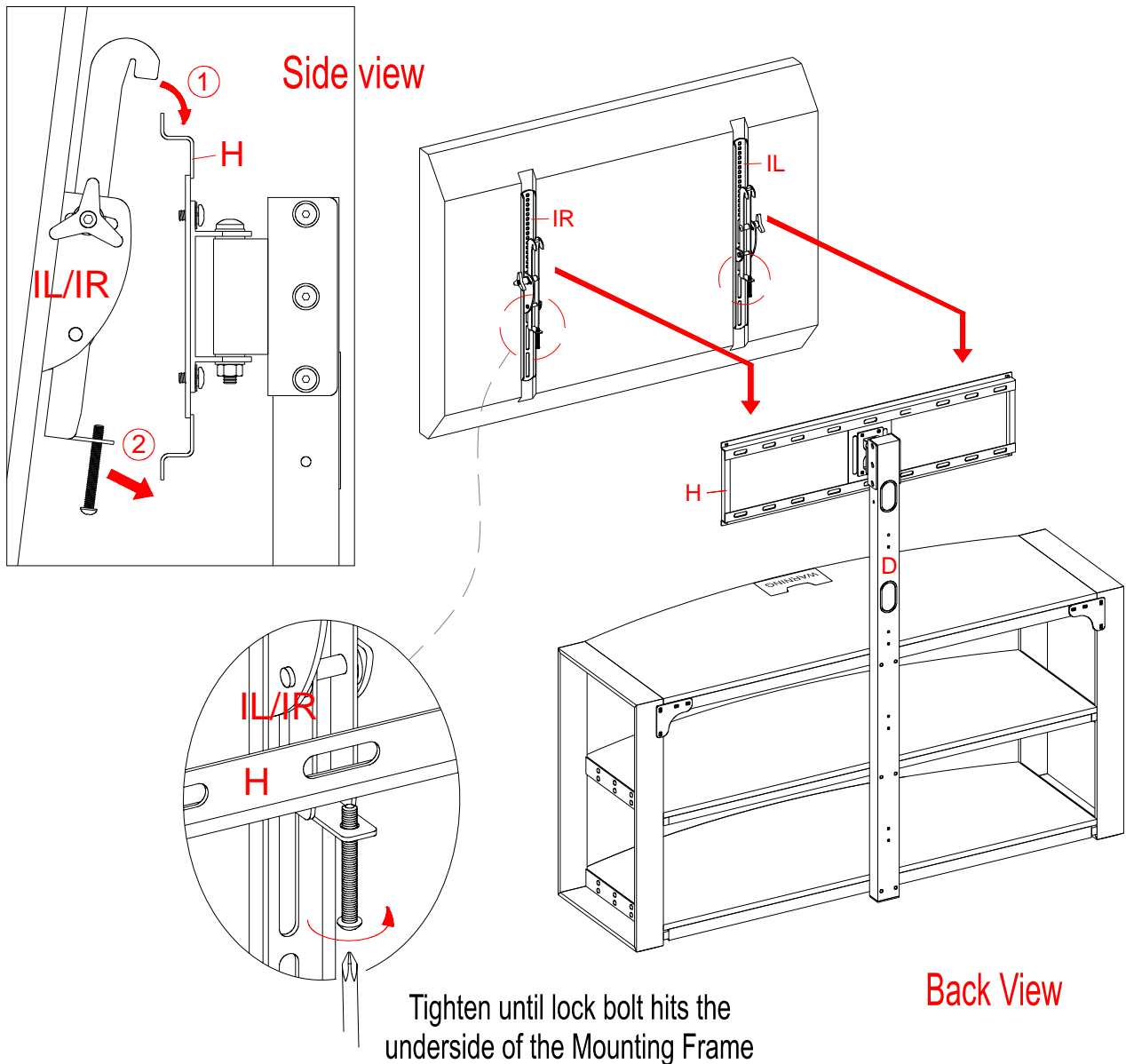
15. Determine the correct diameter of the Bolt the TV requires by hand threading them into the threaded insert on the back of the TV. If you encounter any resistance, stop immediately. If you are unable to find the correct Bolt consult a local hardware store.
16. Follow the appropriate diagram above to attach the Monitor Brackets (IL/IR) to the back of the TV with the selected fasteners. Make sure the Monitor Brackets are vertically centered and level with each other. Secure the bolts with a Phillips screwdriver. DO NOT over tighten the bolts.

**NOTE:** Lean the TV up against a wall, or other solid surface, when attaching the Monitor Brackets. DO NOT place the TV face down on the glass as this may cause permanent damage.

NOTE: If mounting your TV in the Wall Mount configuration, once you have completed the installation of the monitor brackets, proceed to PAGE 18.

Please call for replacement parts or assistance: 1-866-942-5362

## Assembly Instructions for Floating Swivel Mount



**MAKE SURE ALL BOLTS ARE TIGHT AND THE SPINE IS AT A 90 DEGREE ANGLE. USE A QUALITY LEVEL TO VERIFY THE MOUNTING FRAME IS LEVEL PRIOR TO INSTALLATION OF TV.**

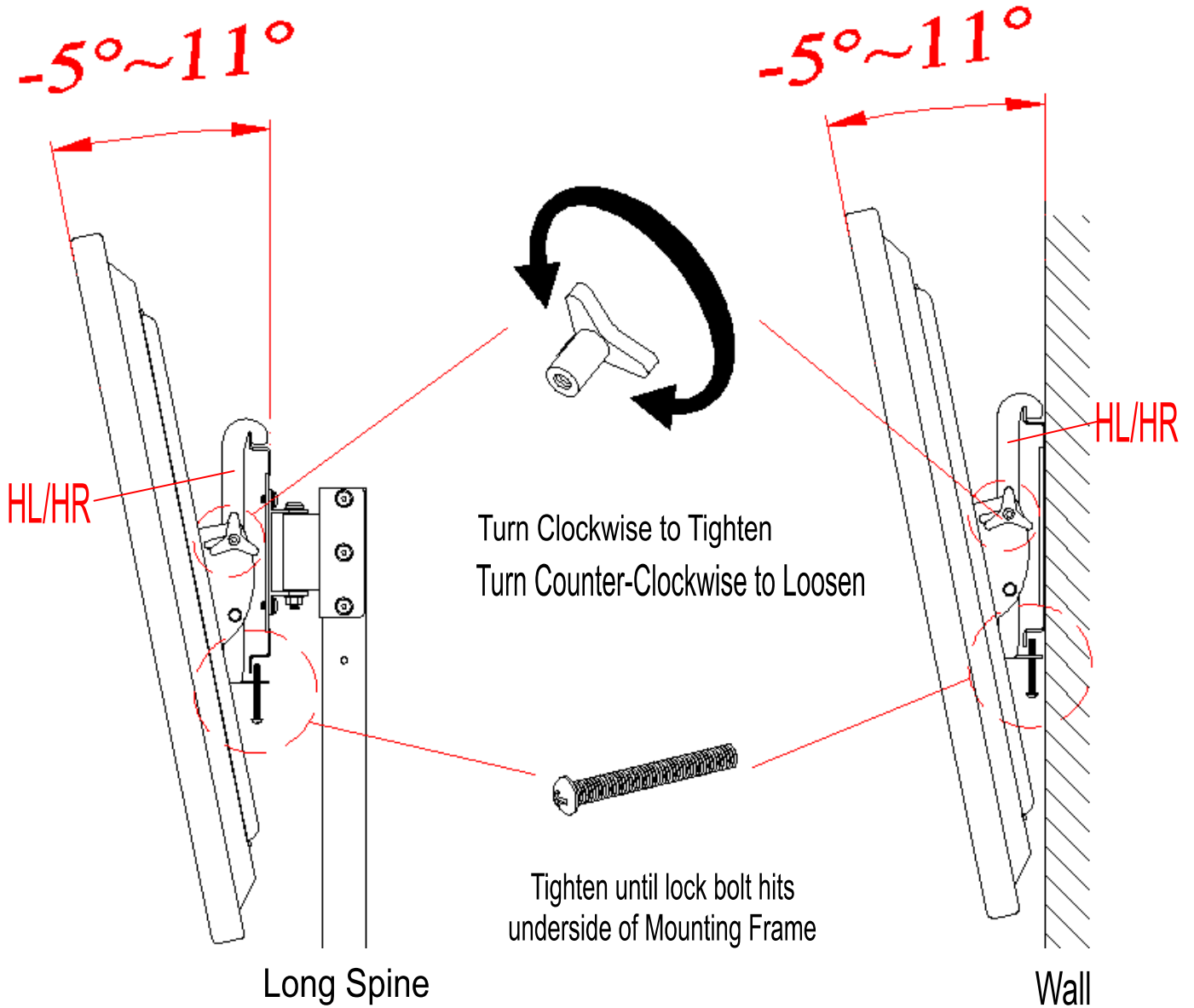
17. Once the Monitor Brackets (IL/IR) are attached onto the back of television, ask for assistance to lift the television up to hang the Monitor Brackets (IL/IR) onto the Mounting Frame (H). Set the hooks on the Monitor Brackets over the Mounting Frame and then lower them onto the bars of the Mounting Frame.

**NOTE:** Loosen the Lock Bolts that is pre-attached to the Monitor Brackets to ensure an easy fit at the bottom hooks.

18. Center the television and tighten both Lock Bolts with a long Phillips screwdriver until they hit the underside of the Mounting Frame (H) to secure it in place.

Please call for replacement parts or assistance: 1-866-942-5362

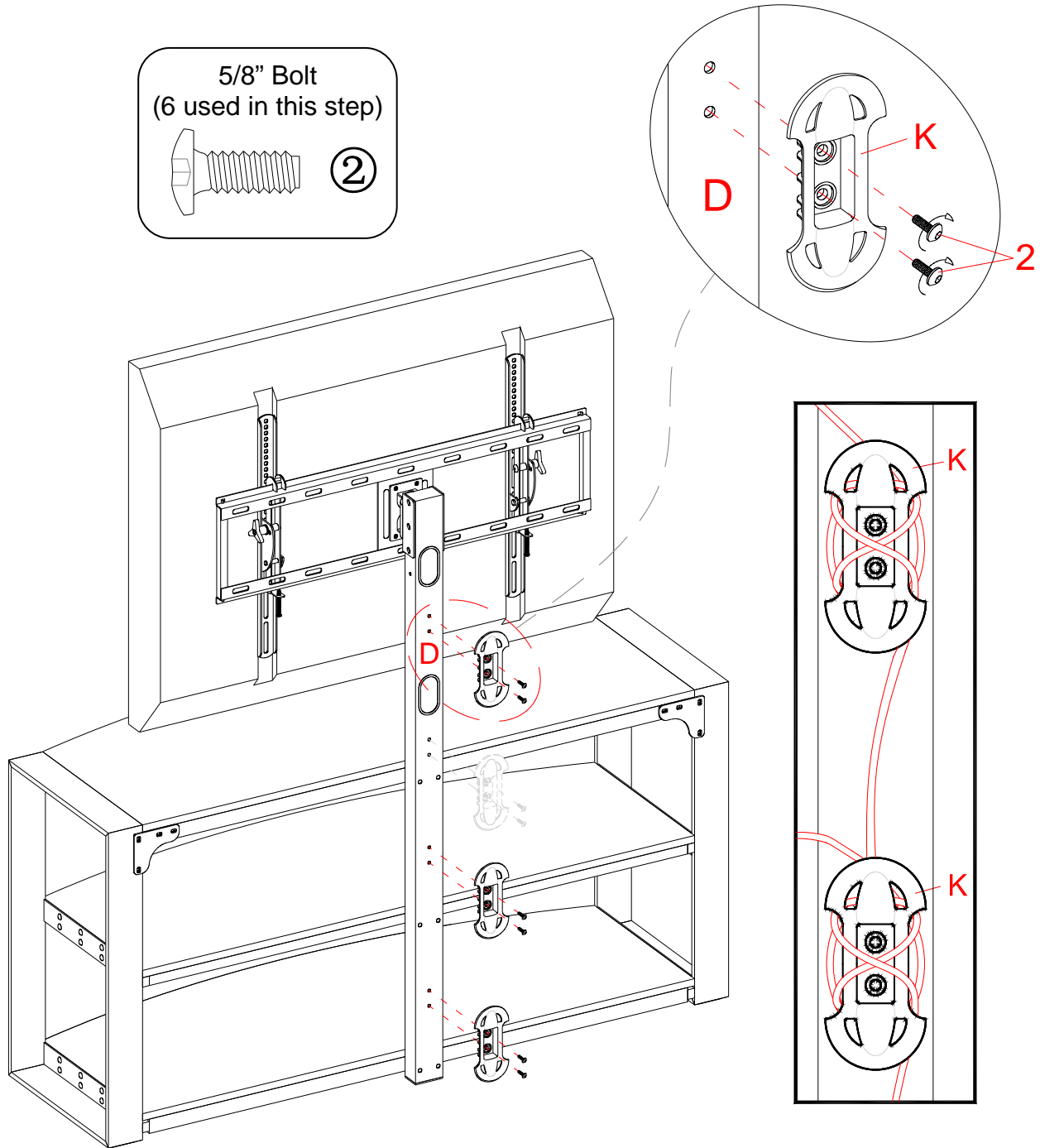
## Assembly Instructions for Floating Swivel Mount



19. The Monitor Brackets (IL/IR) can tilt up to  $11^{\circ}$  downward and  $5^{\circ}$  upward, depending on your optimum viewing position. Keep the enclosed  $3/16$ " Allen Wrench to ensure the Tilt Adjustment Knobs remain tightly fastened.



## Assembly Instructions for Floating Swivel Mount



Back view

20. Attach 3 Cable Wheels (K) onto the backside of the Spine (D) with the 5/8" Bolts (2).

**NOTE:** You can use the Cable Wheels to help keep the entertainment center's cables and cords organized.

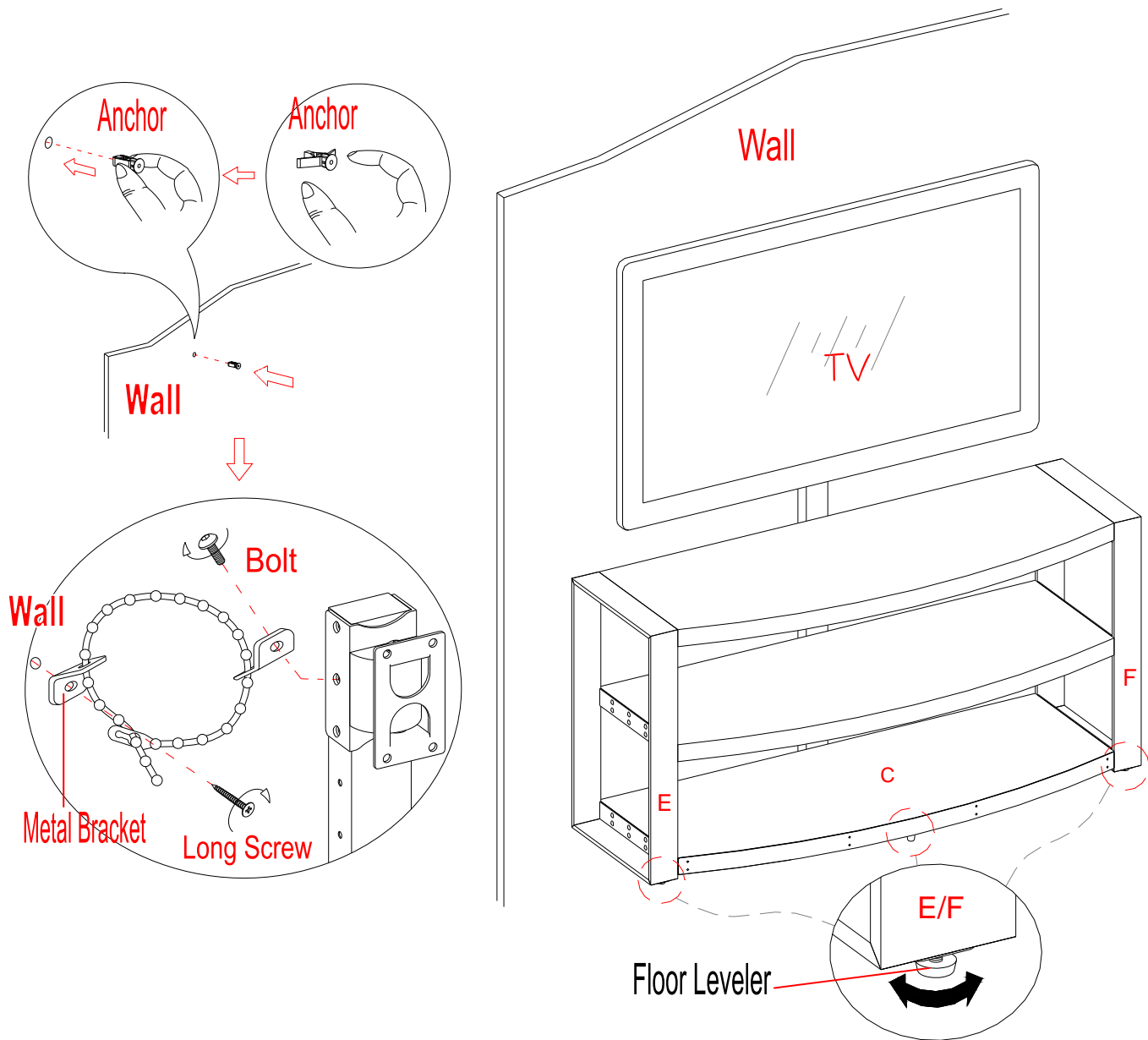
Please call for replacement parts or assistance: 1-866-942-5362

Whalen Furniture Manufacturing Inc.

Page 16

Factory No. 10944

## Assembly Instructions for Floating Swivel Mount



21. Position the assembled console at the desired location against a wall. If necessary, adjust the installed Large Floor Leveler (10) and the pre-attached Small Floor Levelers at the bottom of both Side Frames (E and F) to level the unit. Now, follow the instructions printed on the plastic bag containing the Tipping Restraint Hardware to attach the tip-over restraint to the Spine and the wall.

**NOTE:** YOU MUST USE THIS TIPPING RESTRAINT TO ATTACH THIS UNIT TO THE WALL, TO PREVENT ACCIDENTS AND/OR INJURIES.

22. The console is now ready for use. Swivel the TV left-or-right for optimum viewing control.

Please call for replacement parts or assistance: 1-866-942-5362

Whalen Furniture Manufacturing Inc.

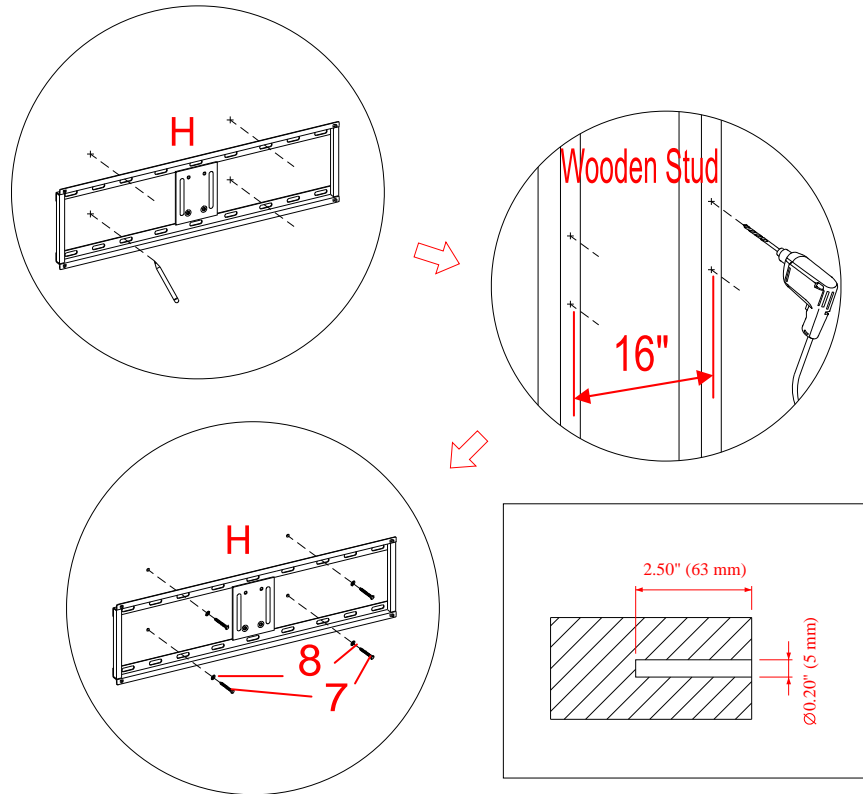
Page 17

Factory No. 10944



The following steps are only for those who wish to mount their TV directly to the wall. If you have already mounted your TV to the Swinging Floater or plan to display your TV on the top surface of the Console, disregard the following steps.

## Assembly Instructions for Universal Wall Mount Installing the Mounting Frame onto a WOODEN STUD WALL



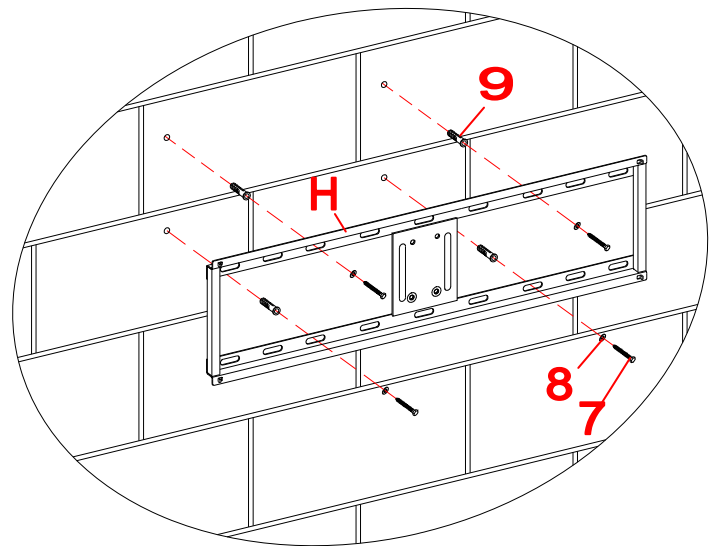
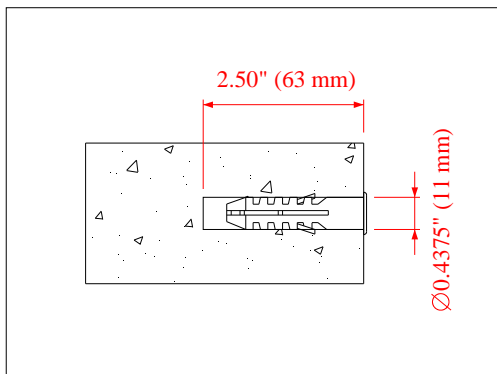
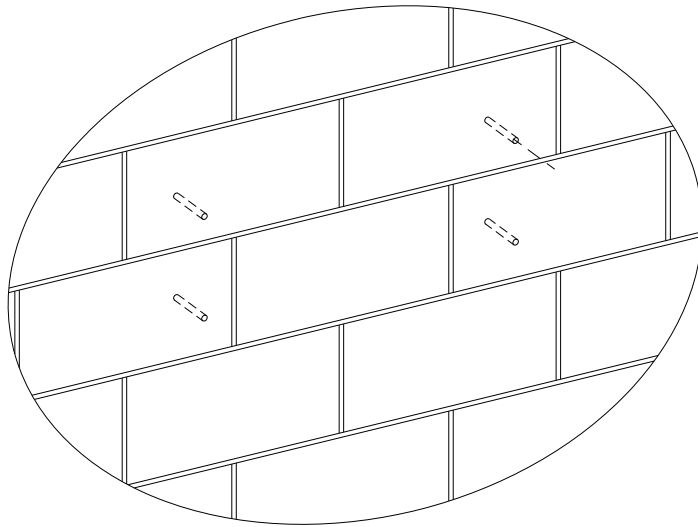
**NOTE:** If you are mounting your TV onto brick, solid concrete or concrete block walls, skip this section. This assembly requires an electric drill, level and stud finder (not included).

23. Using a stud finder, locate the edges of the wood studs. Find the center line of each stud and draw a vertical reference line on the wall over each one. Place the Mounting Frame (H) level against the wall where you intend to mount the TV. Using the Mounting Frame (H) as a template, mark 4 drill points (2 on top, 2 on bottom) with a pencil on the vertical reference lines you just drew.
24. With an electric drill (not included), drill 3/16 inch diameter holes to at least 2½ inch deep on the 4 drill points. While holding the Bracket Plate in place, loosely screw in the Lag Bolts (7).
25. Secure the Mounting Frame (H) to wall with Lag Bolts (7) and the Washers (8) at the drill points. Tighten the Bolts firmly, but be careful not to over-tighten.

**⚠ WARNING** Do not over-tighten the Lag Bolts. Tighten the Lag Bolts only until the Lag Bolt Washer is pulled firmly against the metal plate of the Mounting Frame. If there is a layer of drywall or other material, this drywall or other material may not exceed 5/8 inch in thickness. Failure to heed this caution may result property damage and/or personal injury.

Please call for replacement parts or assistance: 1-866-942-5362

## Assembly Instruction for installing the Mounting Frame onto BRICK, SOLID CONCRETE OR CONCRETE BLOCK WALLS



**⚠ WARNING** Maximum weight 135 lb. (61.2 kg)

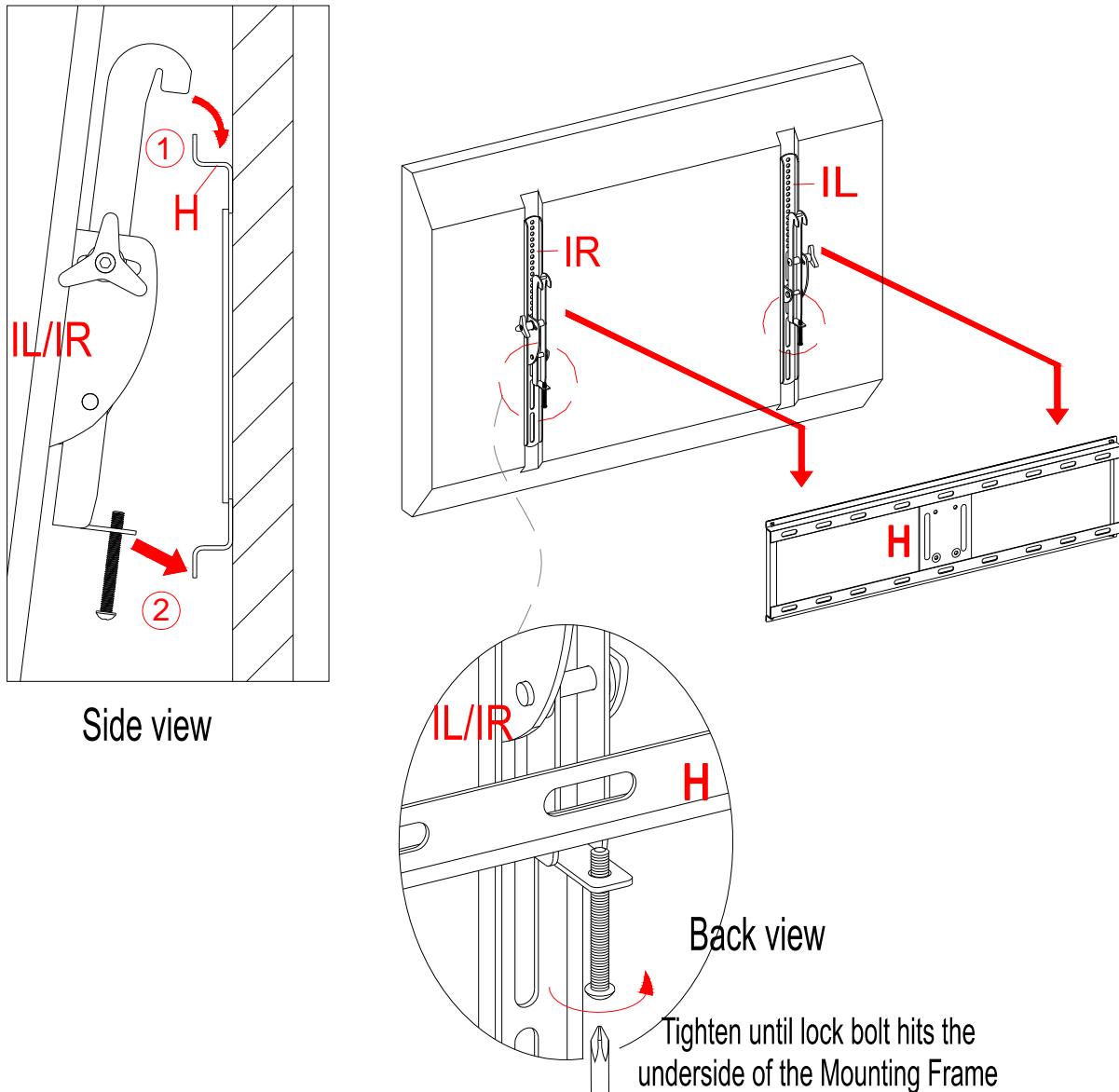
**⚠ WARNING** Concrete Anchors should only be used for masonry mounting. NEVER use the wall anchors to mount the unit to drywall.

**NOTE:** If you are mounting your TV to a wall with wooden studs, skip this section. This assembly requires an electric drill and level (not included).

26. Begin by placing the Mounting Frame (H) level against the wall where you intend to mount the TV. Using the Mounting Frame (H) as a template, mark 4 drill points with a pencil.
27. With an electric drill (not included) on its low setting, drill 7/16 inch diameter holes to at least 2½ inch deep. Insert the Concrete Anchors (9) into the pre-drilled holes so that they are flush with the wall.
28. Place the Mounting Frame (H) level in the desired position against the wall. Secure the Mounting Frame (H) to the wall with the Lag Bolts (7) and the Washers (8) at the drill points. Tighten the Bolts firmly, but be careful not to over-tighten.

Please call for replacement parts or assistance: 1-866-942-5362

## Assembly Instructions



29. Attach the Monitor Brackets (IL/IR) to the back of the television following steps 13 & 14, or 15 & 16, depending on the type of TV that you own.
30. Ask for assistance to lift the television up to attach the Monitor Brackets onto the Mounting Frame (H). Set the hooks on Monitor Brackets over the Mounting Frame and then lower them onto the bars of the Mounting Frame. Proceed to center the television.
31. When the TV is in its intended position, tighten both Lock Bolts with a long Phillips screwdriver until they hit the underside of the Mounting Frame to ensure your TV is safe and secure.
32. Place the assembled console under your TV. Finally, connect the A/V and power cables to your TV. You are now ready to enjoy your wall-mounted Flat Panel TV.

Please call for replacement parts or assistance: 1-866-942-5362

## Care and Maintenance

- Use a soft, clean cloth that will not scratch the surface when dusting.
- Use of furniture polish is not necessary. Should you choose to use polish, test first in an inconspicuous area.
- Using solvents of any kind on your furniture may damage the finish.
- Never use water to clean your furniture as it may cause damage to the finish.
- Always use coasters under beverage glasses and flowerpots.
- Liquid spills should be removed immediately. Using a soft clean cloth, blot the spill gently. Avoid rubbing.
- Always use protective pads under hot dishes and plates. Heat can cause chemical changes that may create spotting within the furniture finish.
- Stains or marks from crayons or ink markers will be difficult to remove.
- In the event that your furniture is stained or otherwise damaged during use, we recommend that you call a professional to repair your furniture.
- Check bolts/screws periodically and tighten them if necessary.

## Further advice about furniture care

It is best to keep your furniture in a climate-controlled environment. Extreme temperature and humidity changes can cause fading, warping, shrinking and splitting of wood. It is advised to keep furniture away from direct sunlight as sun may damage the finish.

Proper care and cleaning at home will extend the life of your purchase. Following these important and helpful tips will enhance your furniture as it ages.

**A Touch-up Pen has been provided to repair any small nicks or scratches that may occur during assembly or shipping.**

We hope you enjoy your purchase for many years.  
Thank you for choosing Whalen Furniture!

## QUALITY GUARANTEE

We are confident that you will be delighted with your Whalen Furniture purchase.

Should this product be defective in workmanship or materials or fail under normal use, we will repair or replace it for up to one (1) year from date of purchase. Every Whalen Furniture product is designed to meet your highest expectations. We guarantee that you will immediately see the value of our fine furniture.

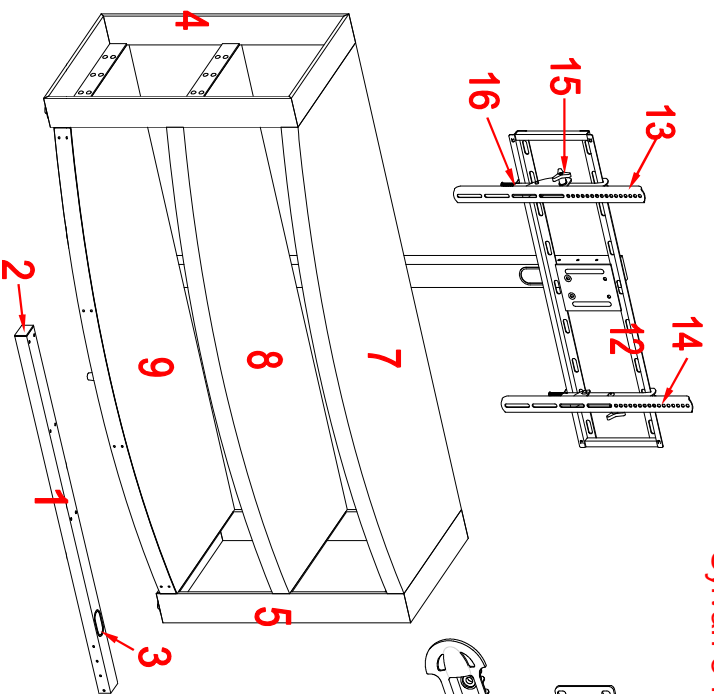
This warranty gives you specific legal rights and you may also have other rights which vary from State to State.

Customer Service: 1-866-942-5362  
8:30 a.m. - 4:30 p.m., PST, Monday to Friday  
[www.whalenstyle.com](http://www.whalenstyle.com)

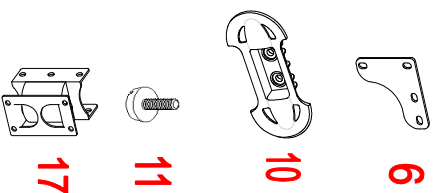
**Please call for replacement parts or assistance: 1-866-942-5362**

IF YOU NEED TO ORDER ANY REPLACEMENT PARTS, PLEASE USE THE LIST BELOW

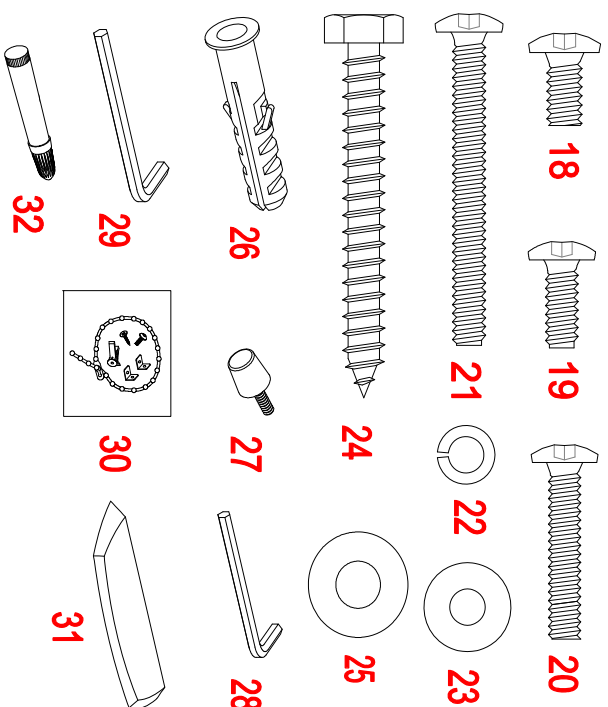
Sylvan 3-in-1™ Console (SYL3IN1C)



- \*SYL3IN1C-1-S Spine
- \*SYL3IN1C-2-SEC Spine End Cap (40 x 60 mm)
- \*SYL3IN1C-3-OPG Oval Plastic Grommet
- \*SYL3IN1C-4-LSF Left Side Frame
- \*SYL3IN1C-5-RSF Right Side Frame
- \*SYL3IN1C-6-MB Metal Bracket
- \*SYL3IN1C-7-TSWMF Top Shelf with Metal Frame
- \*SYL3IN1C-8-MSWMF Middle Shelf with Metal Frame
- \*SYL3IN1C-9-BSWMF Bottom Shelf with Metal Frame
- \*SYL3IN1C-10-CW Cable Wheel
- \*SYL3IN1C-11-SFL Small Floor Leveler
- \*SYL3IN1C-12-MF Mounting Frame
- \*SYL3IN1C-13-LMB Left Monitor Bracket
- \*SYL3IN1C-14-RMB Right Monitor Bracket
- \*SYL3IN1C-15-TAK Tilt Adjustment Knob
- \*SYL3IN1C-16-LB Lock Bolt
- \*SYL3IN1C-17-SB Swiveling Bracket



- \*SYL3IN1C-18-1/2B 1/2" Bolt
- \*SYL3IN1C-19-5/8B 5/8" Bolt
- \*SYL3IN1C-20-1 1/4B 1-1/4" Bolt
- \*SYL3IN1C-21-2 1/4B 2-1/4" Bolt
- \*SYL3IN1C-22-LW Lock Washer
- \*SYL3IN1C-23-FW Flat Washer
- \*SYL3IN1C-24-2 1/2LB 2-1/2" Lag Bolt
- \*SYL3IN1C-25-LFW Large Flat Washer
- \*SYL3IN1C-26-CA Concrete Anchor
- \*SYL3IN1C-27-LFL Large Floor Leveler
- \*SYL3IN1C-28-M4AW M4 Allen Wrench
- \*SYL3IN1C-29-3/16AW 3/16" Allen Wrench
- \*SYL3IN1C-30-TRHK Tipping Restraint Hardware Kit
- \*SYL3IN1C-31-AS Acrylic Stopper
- \*SYL3IN1C-32-TUP Touch-up Pen
- \*SYL3IN1C-TVMK TV Mounting Kit
- \*SYL3IN1C-CH Complete Hardware



- \*SYL3IN1C-18-1/2B 1/2" Bolt
- \*SYL3IN1C-19-5/8B 5/8" Bolt
- \*SYL3IN1C-20-1 1/4B 1-1/4" Bolt
- \*SYL3IN1C-21-2 1/4B 2-1/4" Bolt
- \*SYL3IN1C-22-LW Lock Washer
- \*SYL3IN1C-23-FW Flat Washer
- \*SYL3IN1C-24-2 1/2LB 2-1/2" Lag Bolt
- \*SYL3IN1C-25-LFW Large Flat Washer
- \*SYL3IN1C-26-CA Concrete Anchor
- \*SYL3IN1C-27-LFL Large Floor Leveler
- \*SYL3IN1C-28-M4AW M4 Allen Wrench
- \*SYL3IN1C-29-3/16AW 3/16" Allen Wrench
- \*SYL3IN1C-30-TRHK Tipping Restraint Hardware Kit
- \*SYL3IN1C-31-AS Acrylic Stopper
- \*SYL3IN1C-32-TUP Touch-up Pen
- \*SYL3IN1C-TVMK TV Mounting Kit
- \*SYL3IN1C-CH Complete Hardware