



WHALEN®

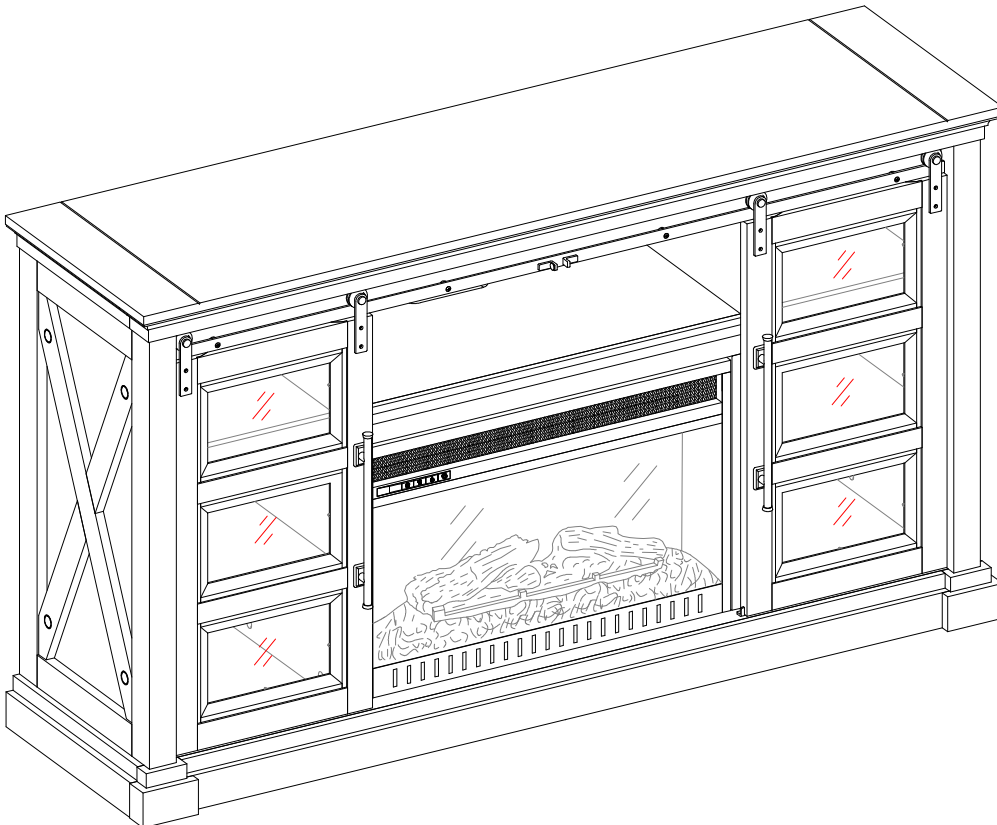
LOT NUMBER: _____

DATE PURCHASED: ___/___/___

Delwood 61" Fireplace Console

Model # WSF61DL26C-AC

WSF61DL26C-DA



ADULT ASSEMBLY REQUIRED

If you have any questions regarding assembly or if parts are missing, DO NOT return this item to the store where it was purchased. Please call our toll-free customer service number and have your instructions and parts list ready to provide the model name, part name or factory number:

1-866-942-5362

Pacific Standard Time: 8:30 a.m. - 4:30 p.m., Monday - Friday

Or visit our website www.whalenfurniture.com

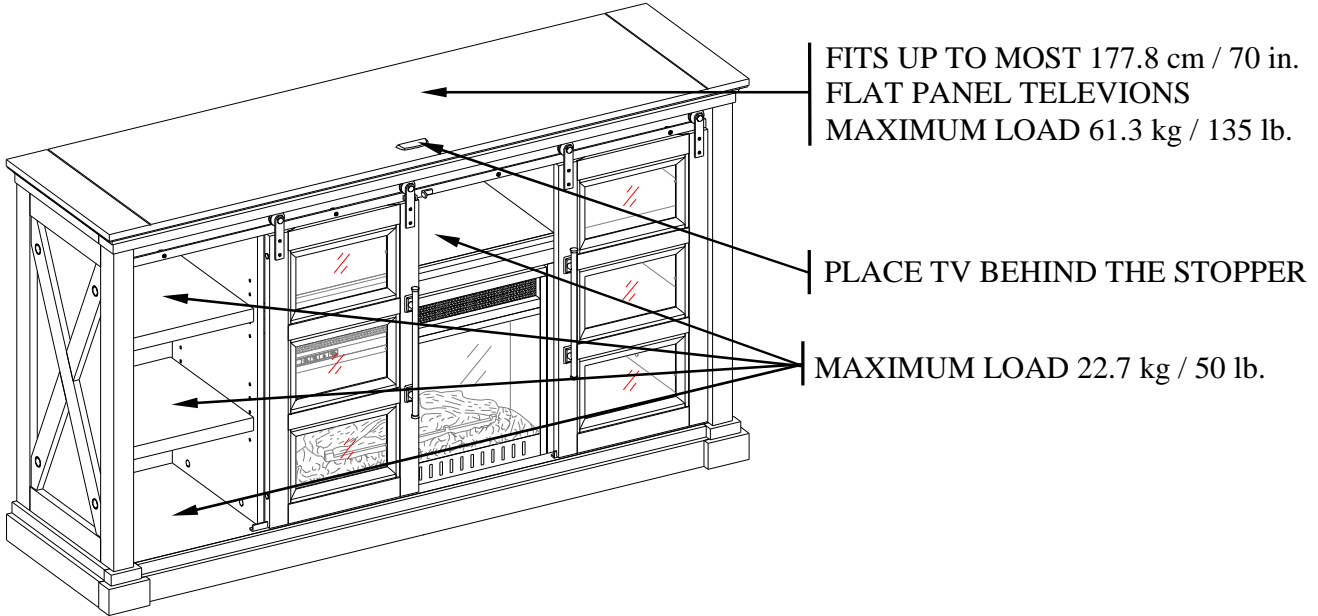
Or e-mail your request to: parts@whalenfurniture.com

**THIS INSTRUCTION BOOKLET CONTAINS IMPORTANT SAFETY INFORMATION.
PLEASE READ AND KEEP FOR FUTURE REFERENCE.**

Date 2017-06-16 Rev. 0001-A Factory: DGSFCL

MAXIMUM RECOMMENDED WEIGHT LOADS

MANUFACTURER: Whalen Furniture Manufacturing
CATALOG: Delwood 61" Fireplace Console
MODEL # WSF61DL26C-AC / WSF61DL26C-DA
MADE IN CHINA



WARNING

THIS UNIT IS NOT INTENDED FOR USE WITH CRT TVS. USE ONLY WITH FLAT PANEL TVS AND AUDIO/VIDEO EQUIPMENT MEETING RECOMMENDED SIZE AND WEIGHT LIMITS. NEVER USE WITH LARGER/HEAVIER THAN RECOMMENDED FLAT PANEL TVS OR EQUIPMENT. TO AVOID INSTABILITY, PLACE FLAT PANEL TV IN THE CENTER OF THE UNIT; THE BASE OF THE TELEVISION MUST BE ABLE TO REST ON THE SUPPORTING SURFACE OF THE UNIT WITHOUT OVER-HANGING THE EDGES. IMPROPERLY POSITIONED FLAT PANEL TVS, OR FLAT PANEL TVS INCLUDING OTHER EQUIPMENT THAT EXCEED RECOMMENDED SIZE AND WEIGHT LIMITS COULD FALL OFF OR BREAK THE UNIT, CAUSING POSSIBLE SERIOUS INJURY.

SPECIAL NOTE

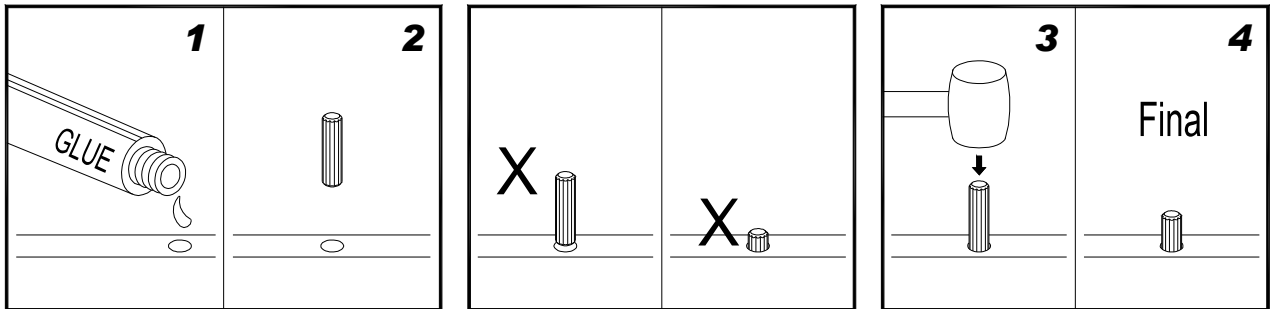
Please read the instruction sheets completely before assembly. Examine all packaging material before discarding carton. Remove any remaining staples from the carton before discarding. Remove all parts from carton and separate into groups as indicated on part list. Please ensure all parts are included prior to assembly. Use of power tools to complete assembly is not recommended.

IMPORTANT

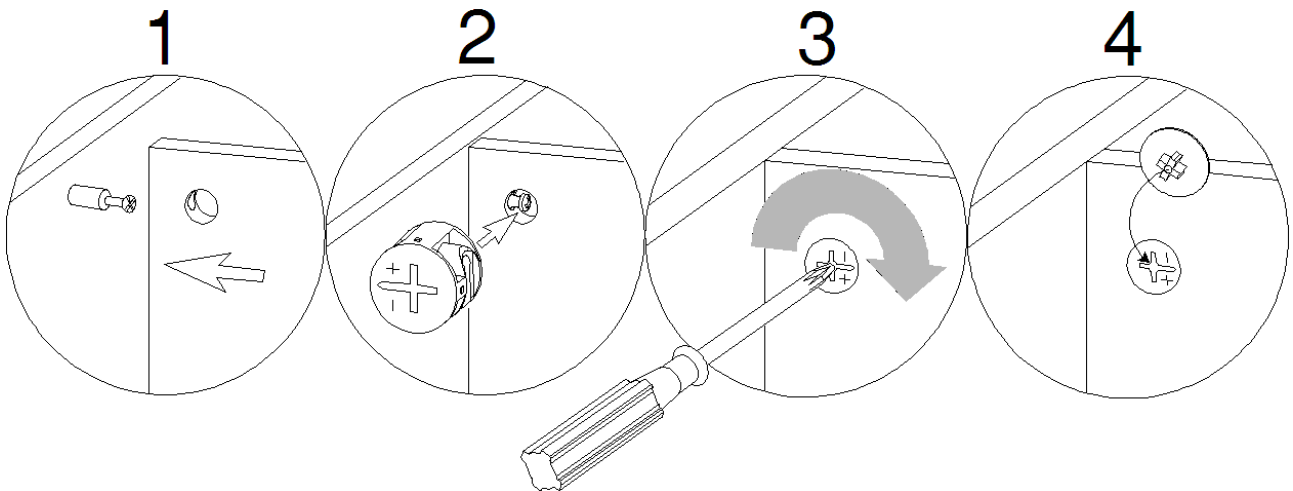
Before you begin: Open, identify and count all parts prior to assembly. Lay out parts on a flat and non-abrasive surface. You will need the parts identified on page 4 and 5 of this instruction manual.

NOTE: IT IS VERY IMPORTANT TO USE GLUE WITH THE DOWELS. EXCESS GLUE CAN BE WIPED OFF WITH A DAMP CLOTH.

Insert Dowel at least half way by tapping lightly with a rubber mallet (not included), IF NECESSARY.



CAM LOCK SYSTEM OPERATION



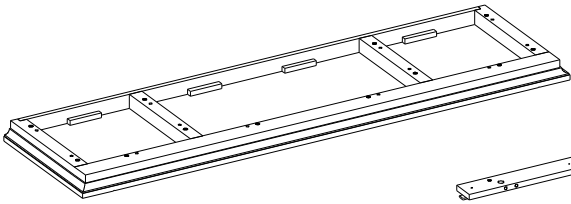
HOW THE KNOCK DOWN (KD) ASSEMBLY SYSTEM WORKS

1. Screw the Cam Bolt into the pre-drilled small holes on the panel. Connect both panels together; making sure the Cam Bolt goes into the pre-drilled hole at the end of the panel with the Cam Lock.
2. Insert the Cam Lock into the pre-drilled large hole in the panel. Make sure the arrow on the Cam Lock is pointed towards the Cam Bolt.
3. Once the Cam Bolt is connected inside the Cam Lock, take a Phillips screwdriver (not included) and tighten the Cam Lock clockwise.
4. Plug the Cam Lock Cover into the cross slot of the Cam Locks to conceal the cam.

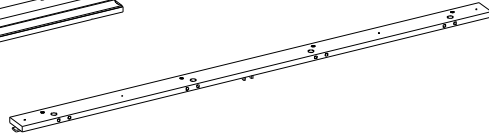
You are now ready to assemble the KD unit.

Parts and Hardware List

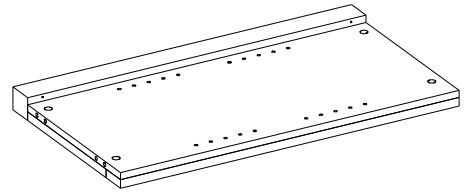
Please read completely through the instructions and verify that all listed parts and hardware are present before beginning assembly.



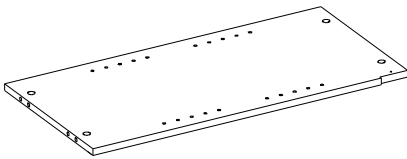
A- Top Panel (Qty. 1)



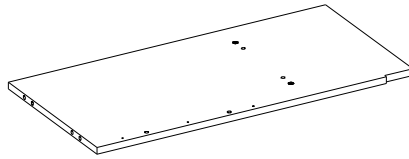
B- Top Front Stretcher (Qty. 1)



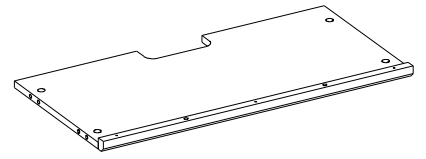
C- Side Panel (Qty. 2)



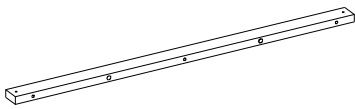
D- Left Partition Panel (Qty. 1)



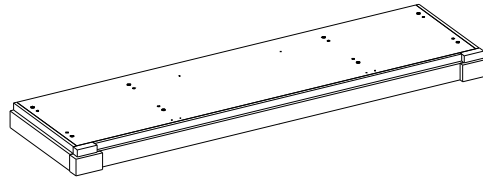
E- Right Partition Panel (Qty. 1)



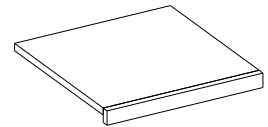
F- Center Shelf (Qty. 1)



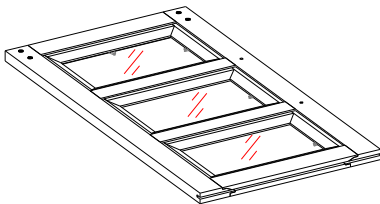
G- Middle Crossbar (Qty. 1)



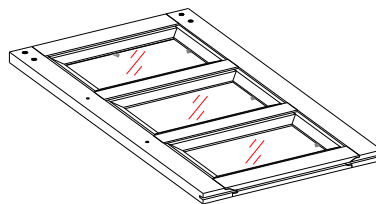
H- Base (Qty. 1)



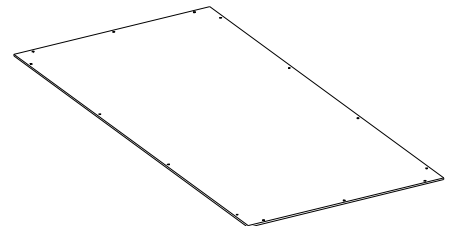
I- Adjustable Shelf (Qty. 4)



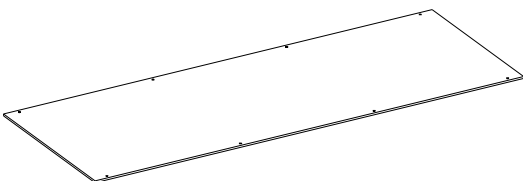
J- Left Door (Qty. 1)



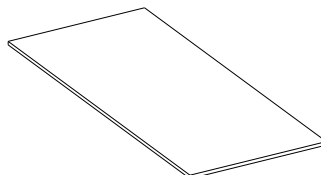
K- Right Door (Qty. 1)



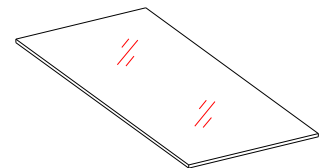
L- Side Back Panel (Qty. 2)



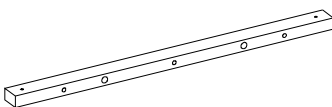
M- Middle Back Panel (Qty. 1)



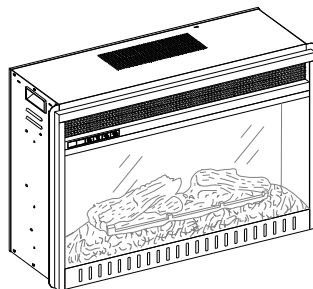
N- Wood Door Panel (Qty. 2)



O- Glass Door Panel (Qty. 2)
(Pre-attached)



P- Middle Stile
(Qty. 2)



Fireplace Insert
(Qty. 1)



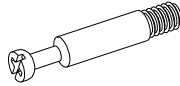
Remote Control with Battery (Qty. 1)
(Qty. 1)

Parts and Hardware List

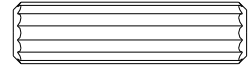
Please read completely through the instructions and verify that all listed parts and hardware are present before beginning assembly.



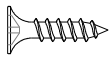
(1) Cam Lock
(Qty. 24+1 extra)



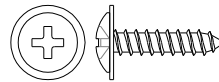
(2) Cam Bolt
(Qty. 24+1 extra)



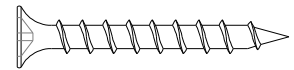
(3) M8 x 30 mm Wood Dowel
(Qty. 30+1 extra)



(4) M3.5 x 12 mm Flat Head Screw
(Qty. 32+1 extra)



(5) M3.5 x 15 mm Washer Head Screw
(Qty. 38+1 extra)



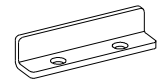
(6) M4 x 35 mm Screw
(Qty. 9+1 extra)



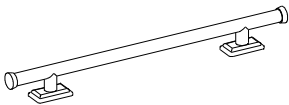
(7) Straight Metal Bracket
(Qty. 4)



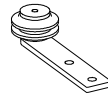
(8) L-shaped Metal Bracket
(Qty. 2)



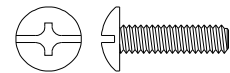
(9) Door Sliding Guider
(Qty. 2)



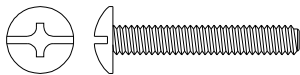
(10) Handle
(Qty. 2)



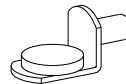
(11) Door Roller
(Qty. 4)



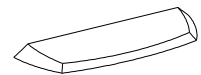
(12) 5/32" x 15 mm Bolt
(Qty. 8+1 extra)



(13) 5/32" x 25 mm Handle Bolt
(Qty. 4)



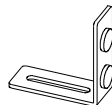
(14) Shelf Support
(Qty. 16+1 extra)



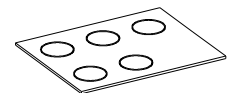
(15) Acrylic Stopper
(Qty. 1)



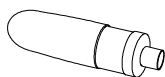
(16) Cam Lock Cover
(Qty. 16+1 extra)



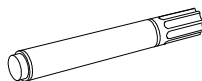
(17) L-shaped Metal Brace
(Qty. 2)



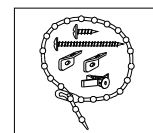
(18) Rubber Bumper
(Qty. 4+1 extra)



Glue (1)



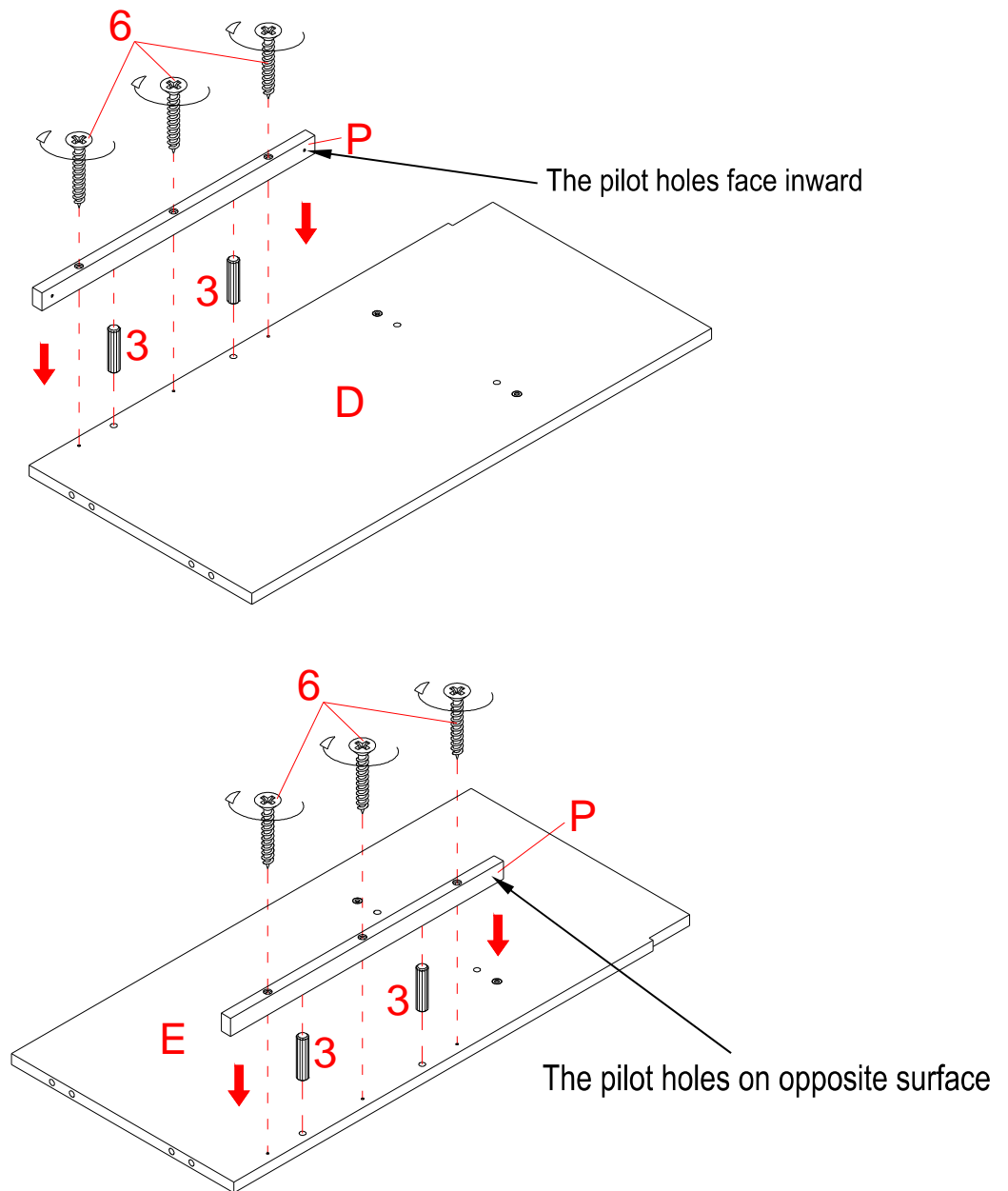
Touch-up Pen (1)



Tipping Restraint Hardware Kit (2)
(Included in plastic bag)

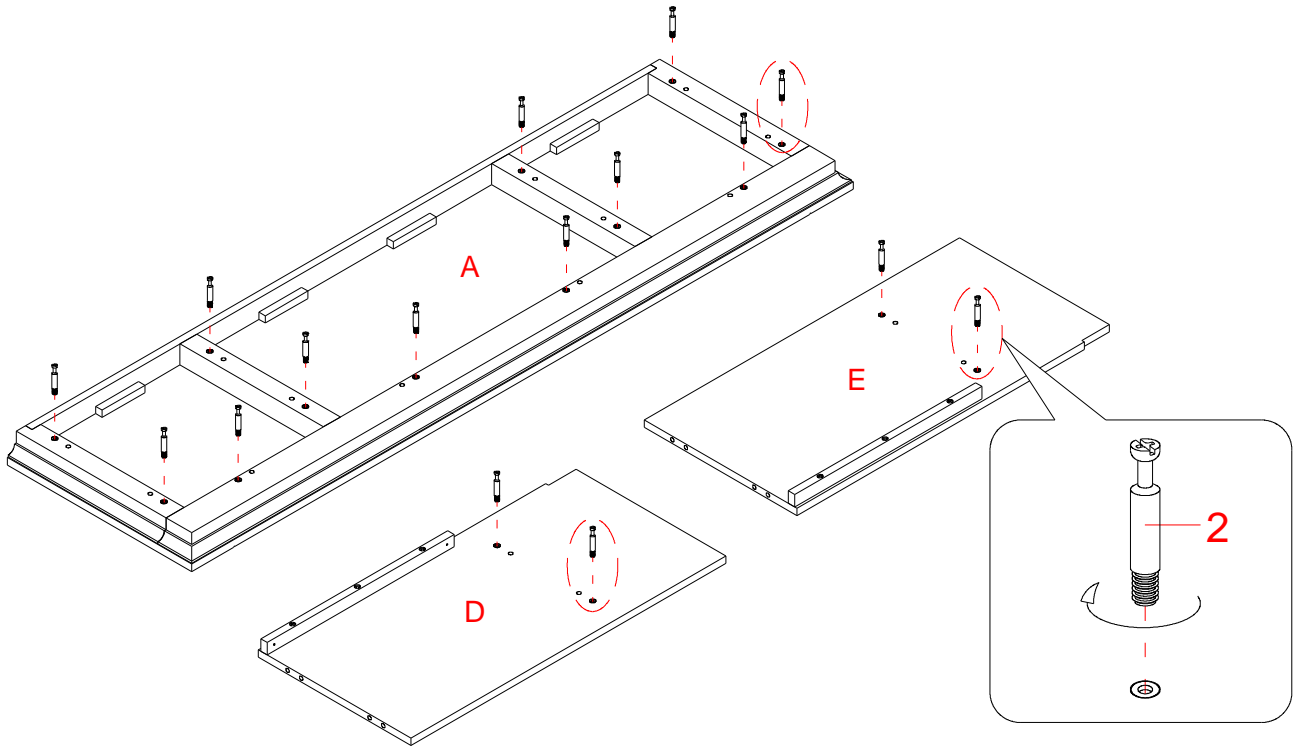
Tools required: Phillips screwdriver and hammer (not provided).

Assembly Instructions

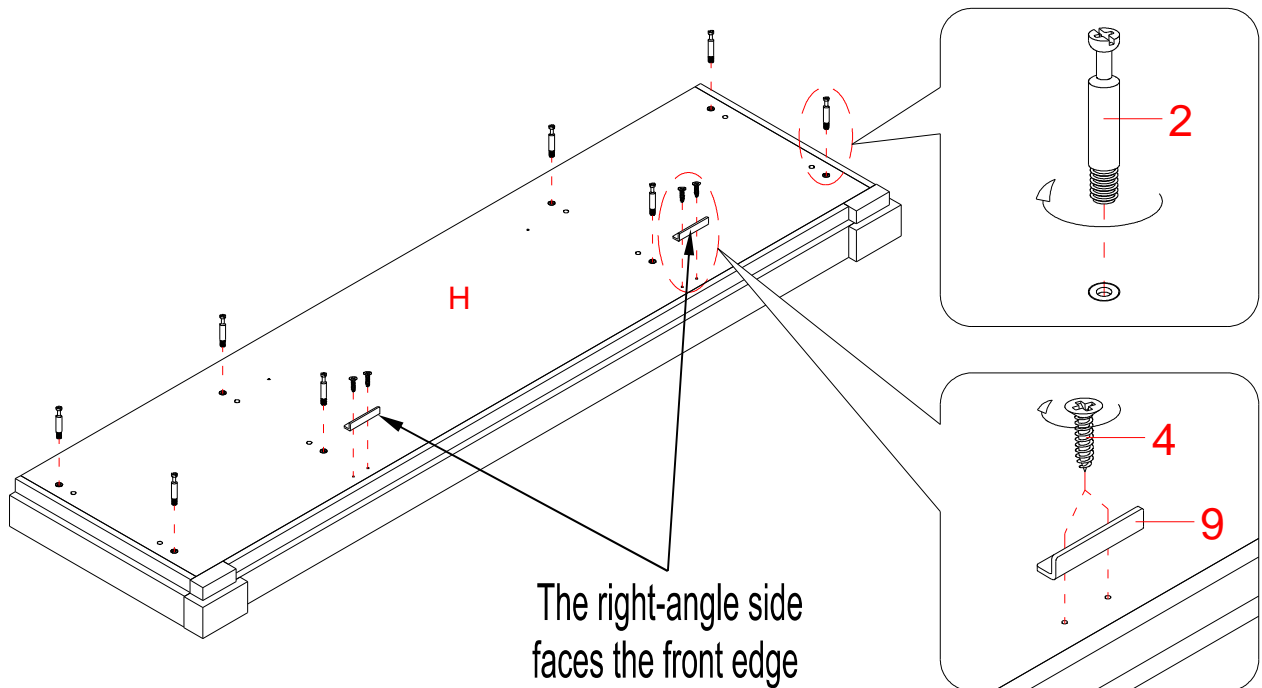


1. Unpack the unit and confirm that you have all the hardware and required parts. Assemble the unit on a carpeted floor or the empty carton to avoid any scratch.
2. Insert two Wood Dowels (3) into the large holes on the Left Partition Panel (D). Tap in with a rubber mallet, if necessary. Make sure that you use a small amount of glue with both ends of all dowels.
3. Align the drilled holes on one Middle Stile (P) with the inserted Wood Dowels (3) on the Left Partition Panel (D), and then press them together. Secure the Middle Stile (P) in place with three 35 mm Screws (6) using a Phillips screwdriver.
4. Repeat the same procedure to combine the other Middle Stile (P) with the Right Partition Panel (E) together.

Assembly Instructions

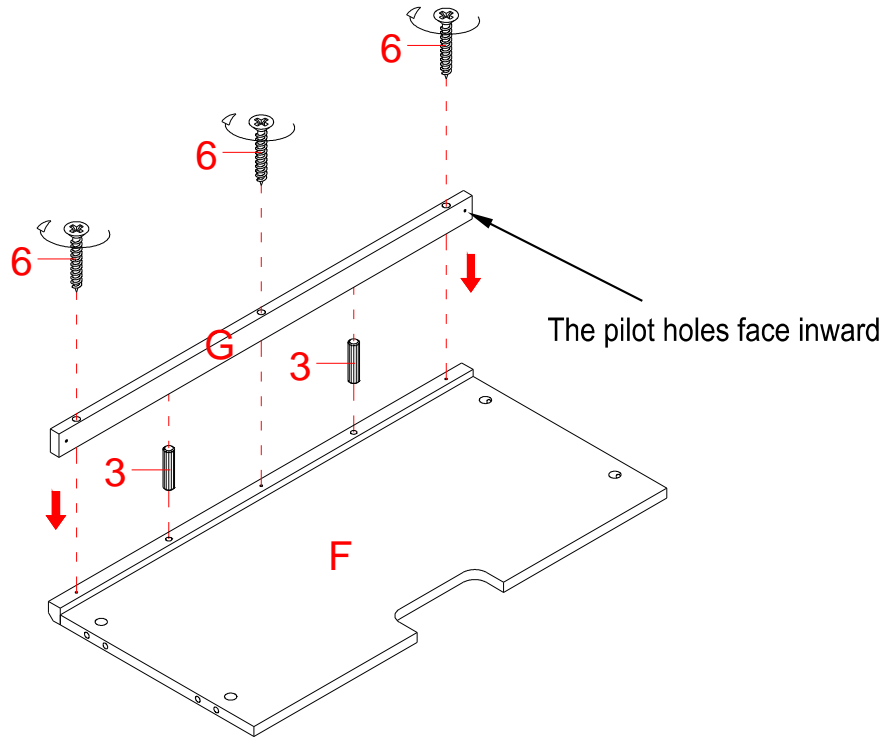


- Securely screw the Cam Bolts (2) into the designated small holes on the Top Panel (A) and the both Partition Panels (D and E) using a Phillips screwdriver.

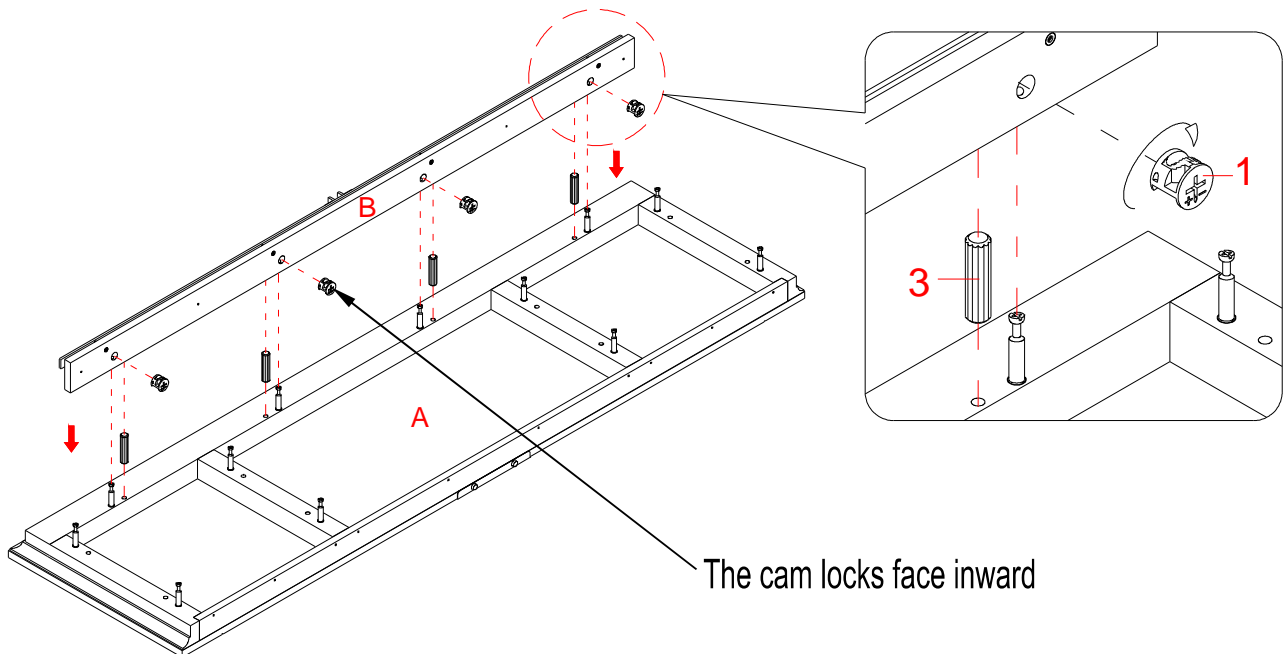


- Securely screw the Cam Bolts (2) into the designated small holes on the Base (H).
- Using the pilot holes as a guide, fasten two Door Sliding Guiders (9) to the Base (H) with four 12 mm Flat Head Screws (4) as shown.

Assembly Instructions



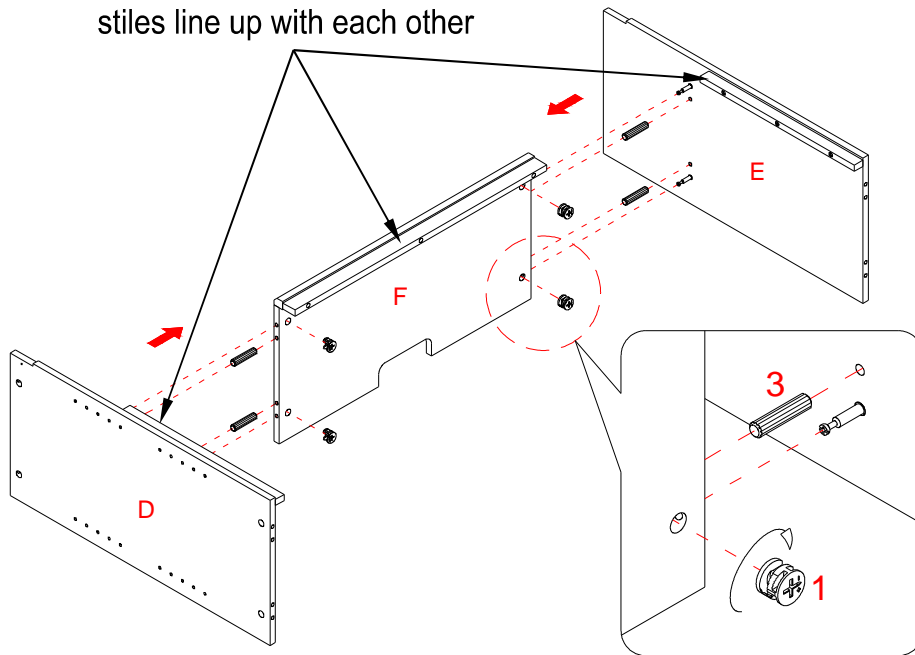
8. Attach the Middle Crossbar (G) to the Center Shelf (F) with two Wood Dowels (3) and three 35 Screws (6) making sure the pilot holes will face the back of the unit.



9. Glue four 30 mm Wood Dowels (3) into the inner holes of the Top Front Stretcher (B) and attach it to the Top Panel (A) by engaging four Cam Locks (1) (Refer to page 3 on Cam Lock system operation supplement).

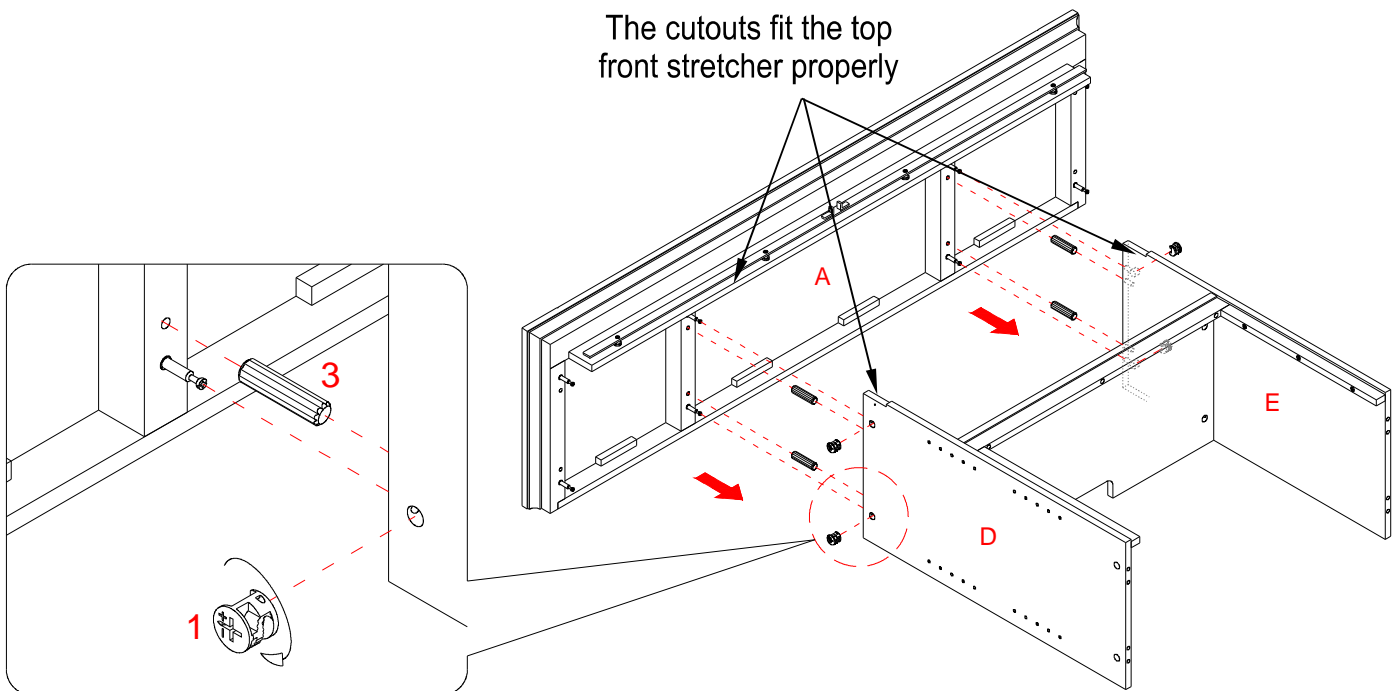
Assembly Instructions

The middle crossbar and stiles line up with each other



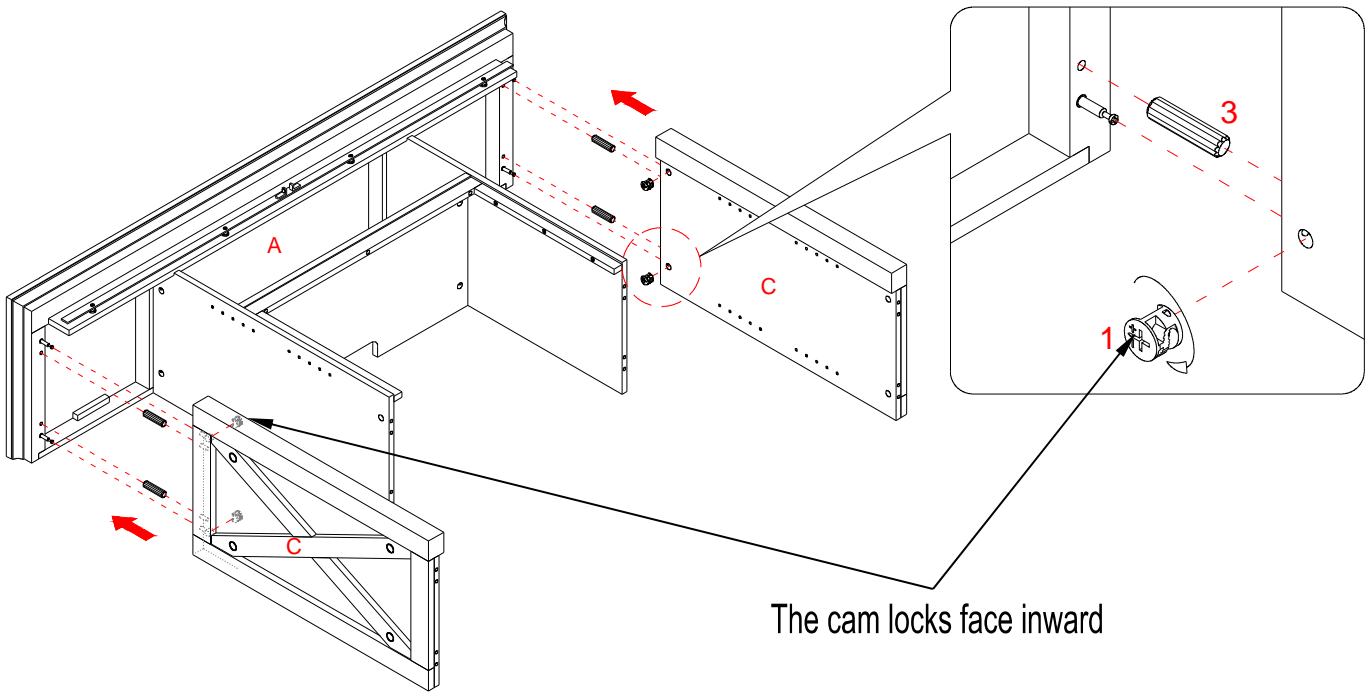
10. Align and attach the Center Shelf (F) between the Partition Panels (D and E) with four Wood Dowels (3) and four Cam Locks (1).

The cutouts fit the top front stretcher properly

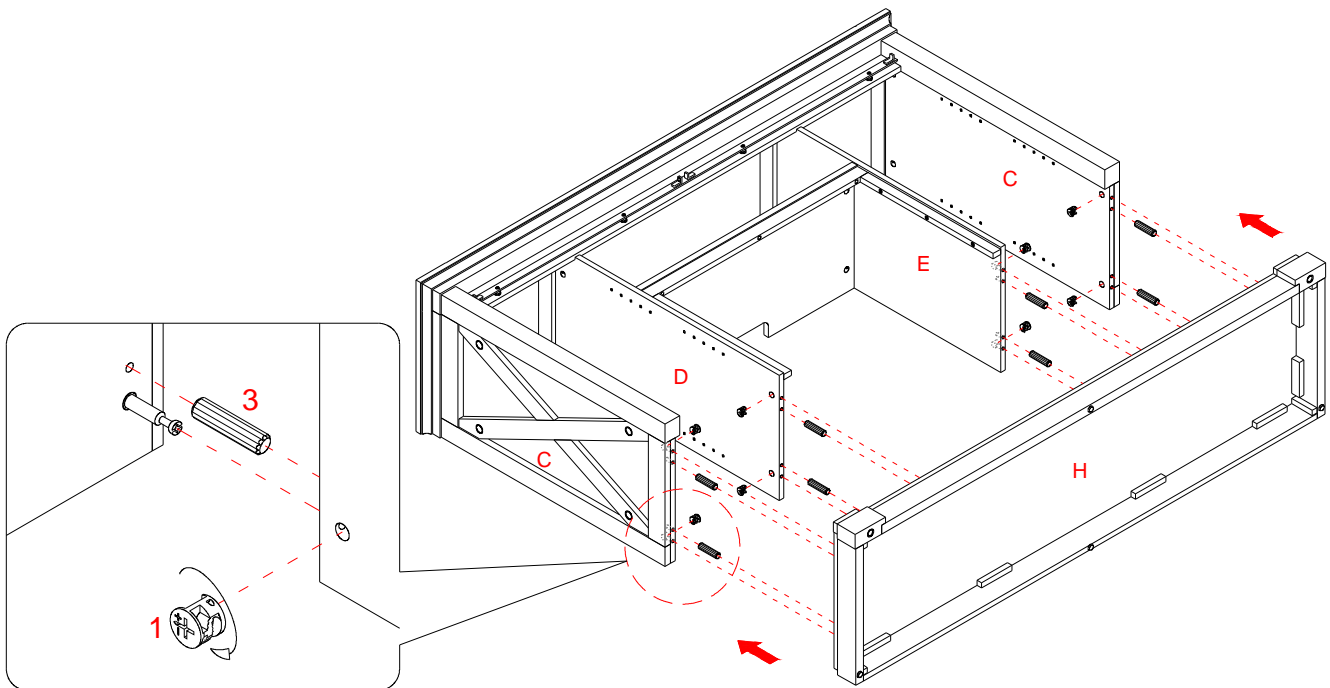


11. Attach the assembled Partition Panels (D and E) to the Top Panel (A) with four Wood Dowels (3) and four Cam Locks (1).

Assembly Instructions

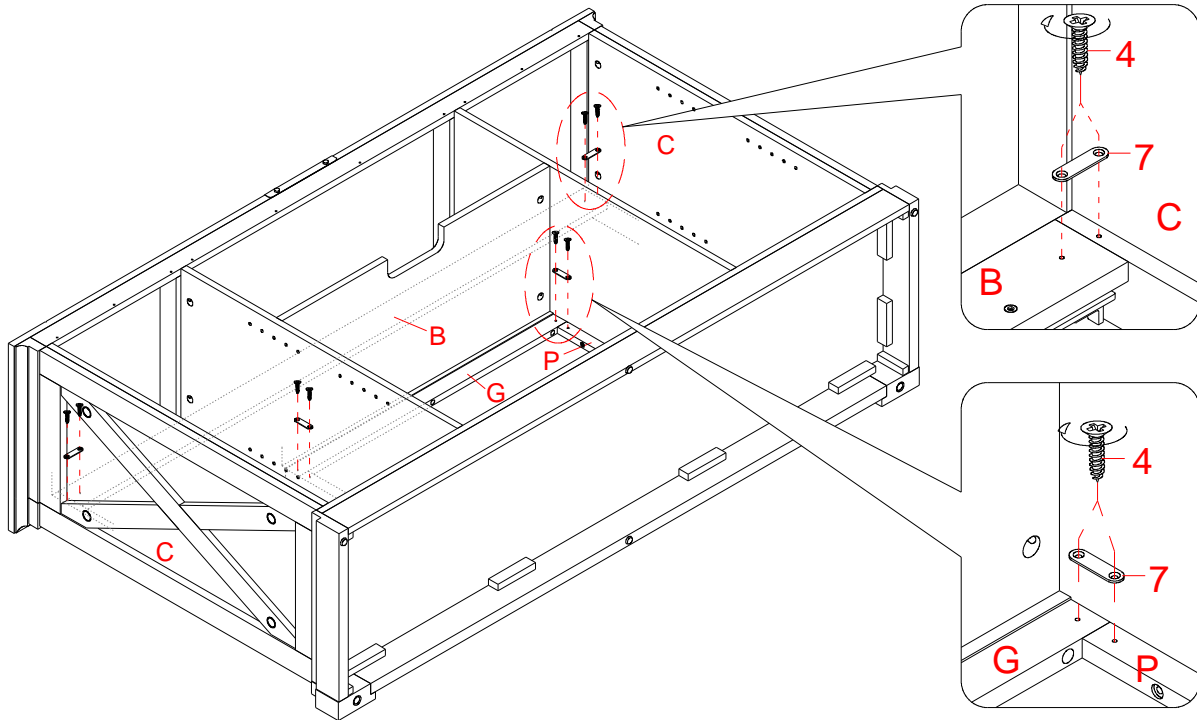


12. Attach the Side Panels (C) to the Top Panel (A) with four Wood Dowels (3) and four Cam Locks (1).



13. Attach the Base (H) to the bottom of the vertical panels (C, D and E) with eight Wood Dowels (3) and eight Cam Locks (1).

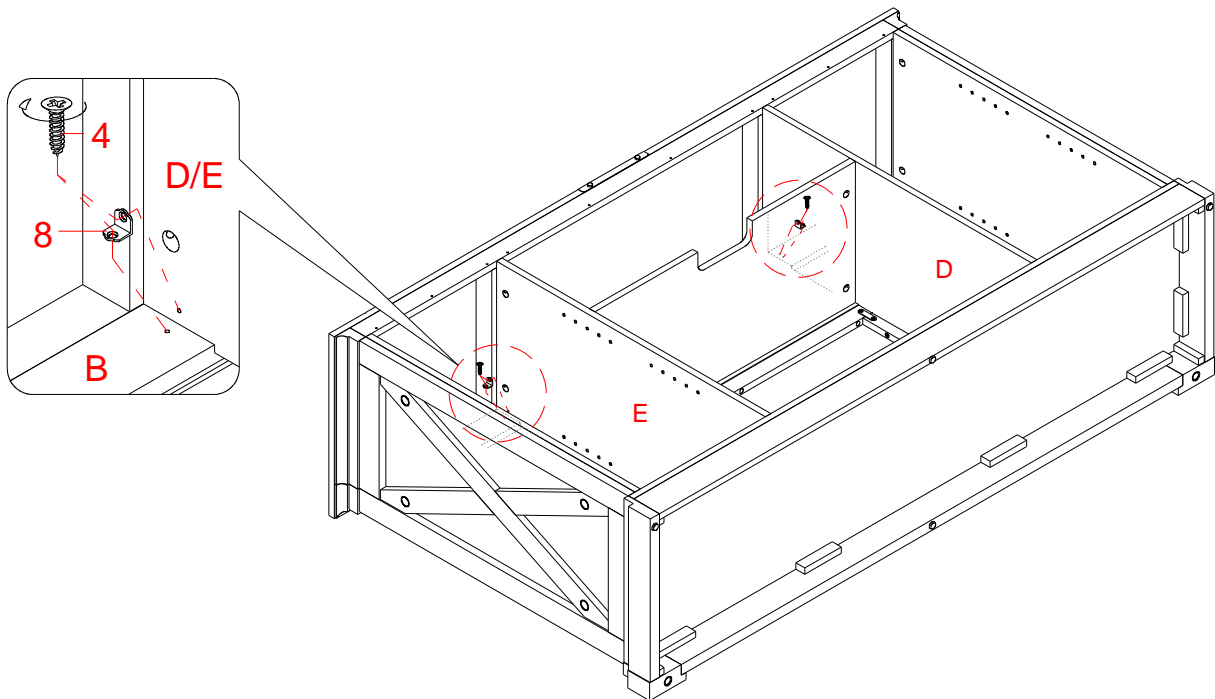
Assembly Instructions



14. Flip the assembled unit around at its front edges.

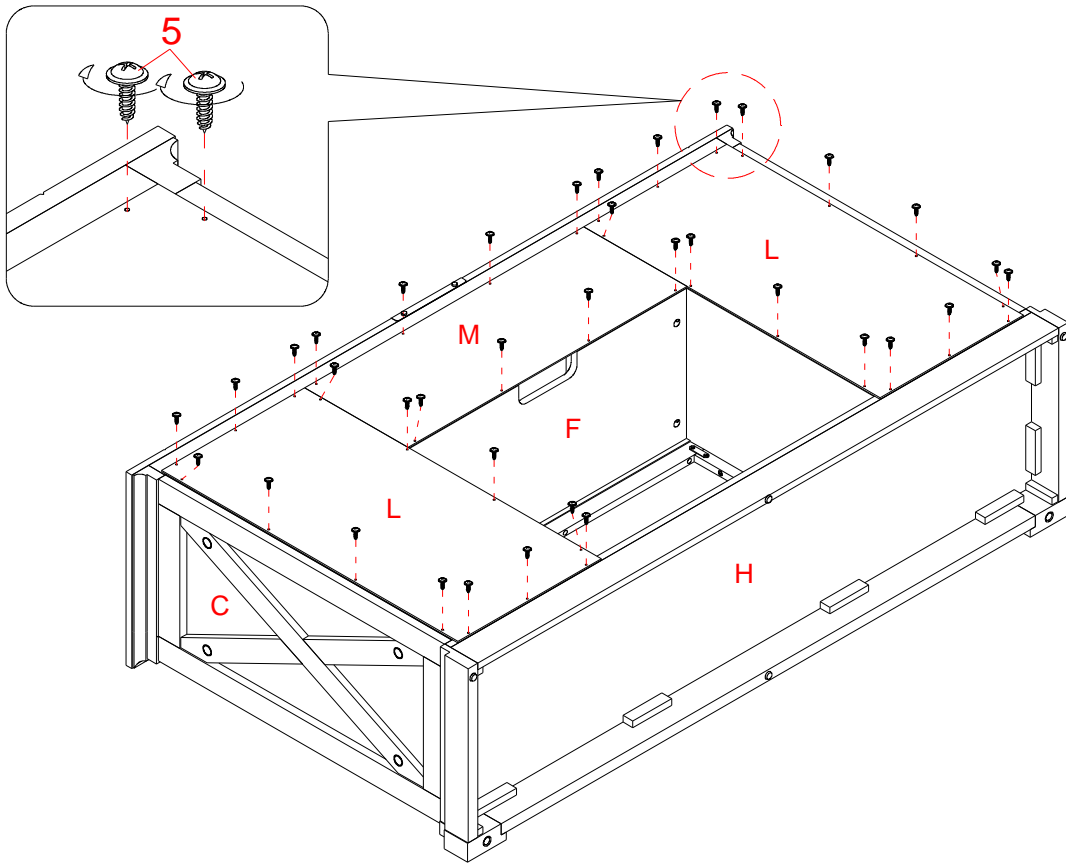
15. With the pilot holes as a guide, fasten two Straight Metal Brackets (7) at the joints between the Middle Crossbar (G) and the both Middle Stiles (P), using two 12 mm Flat Head Screws (4) per bracket.

16. Fasten two Straight Metal Brackets (7) at the joints between the Top Front Stretcher (B) and the front moldings of the two Side Panels (C), using two 12 mm Flat Head Screws (4) per bracket.

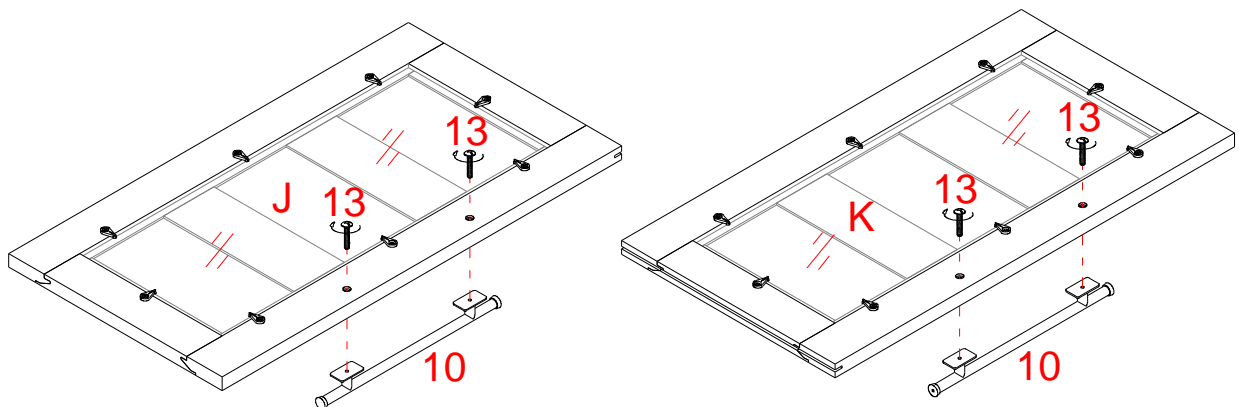


17. Secure the Top Front Stretcher (B) to the Partition Panels (D and E) by attaching two L-shaped Metal Brackets (8) at the joints with four 12 mm Flat Head Screws (4), using the pilot holes as a guide,

Assembly Instructions

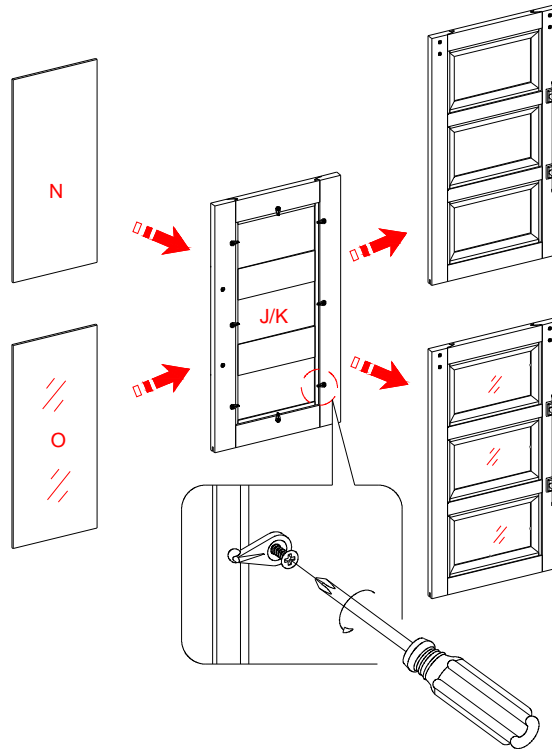


18. Now, go back and securely tighten all the Cam Locks and the Screws. Make sure that all the parts are tight and there are no gaps between the parts. This will help keep the unit square.
19. Pick up the Middle Back Panel (M) and align the pre-drilled holes against the upper long edge with the pilot holes on the back stretcher of the Top Panel (A). Attach the Middle Back Panel (M) in place using the provided Washer Head Screws (5).
20. Attach two Side Back Panels (L) to the mantel frame with the provided Washer Head Screws (5).

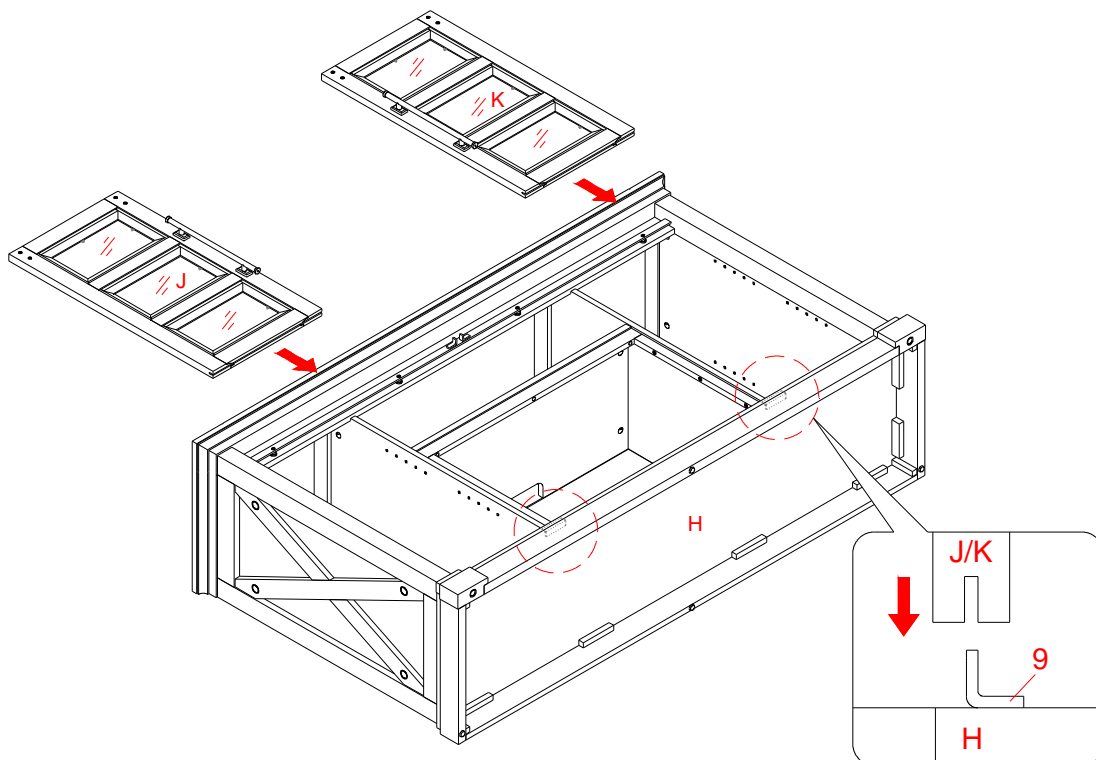


21. Attach one Handle (10) to the front side of each Door (J and K) with two Handle Bolts (13).

Assembly Instructions

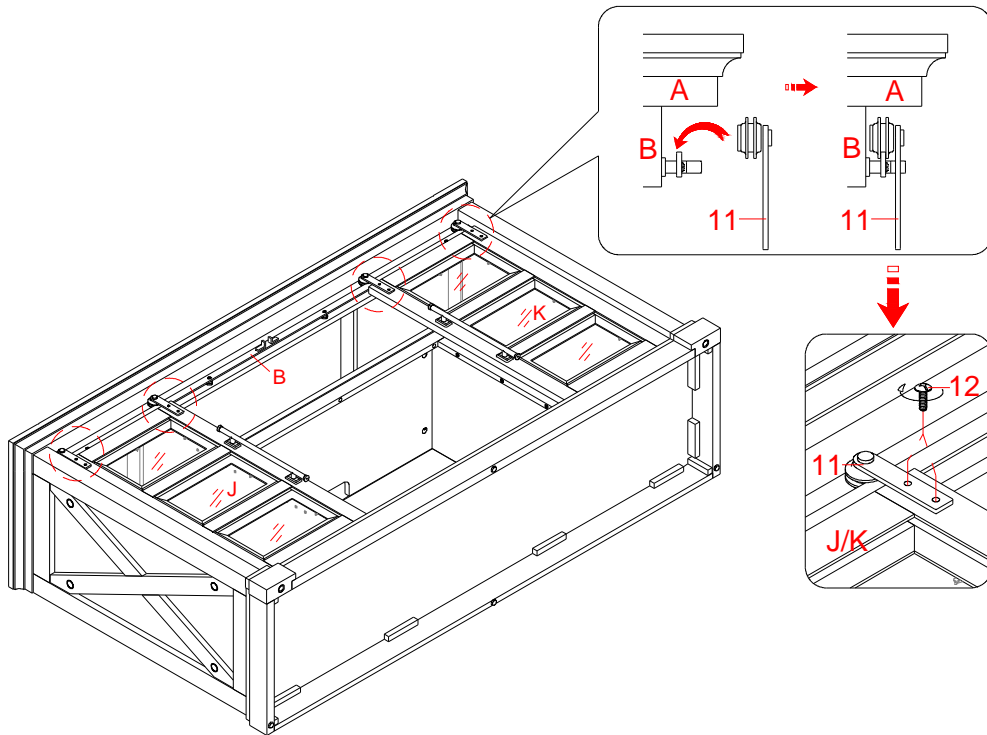


22. The Doors (J and K) of this unit are shipped with the glass insert panel. You can keep the doors as they are, or interchange the insert panel with the wood panel (N), depending on the desired configuration.
23. To change the door insert panels, loosen the screws on the inside of the door and rotate the clips to remove the panel. Replace with the desired panel, then rotate clips to secure the panel within the door frame and tighten screws.

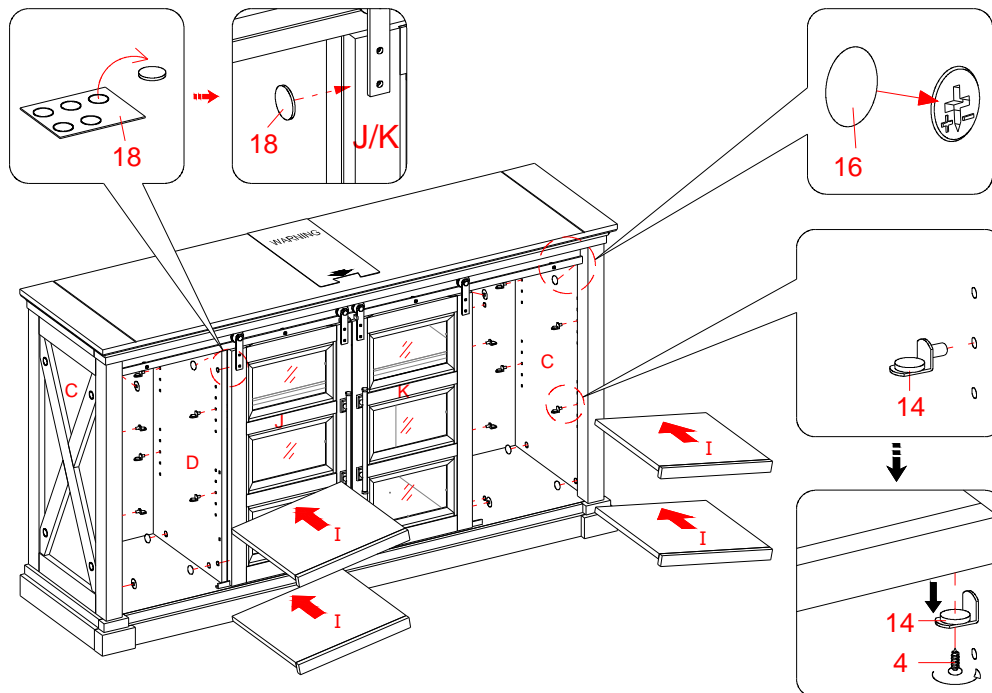


24. Pick up the Doors (J and K) and fit the bottom slot over the Door Sliding Guides (9) on the Base (H).

Assembly Instructions

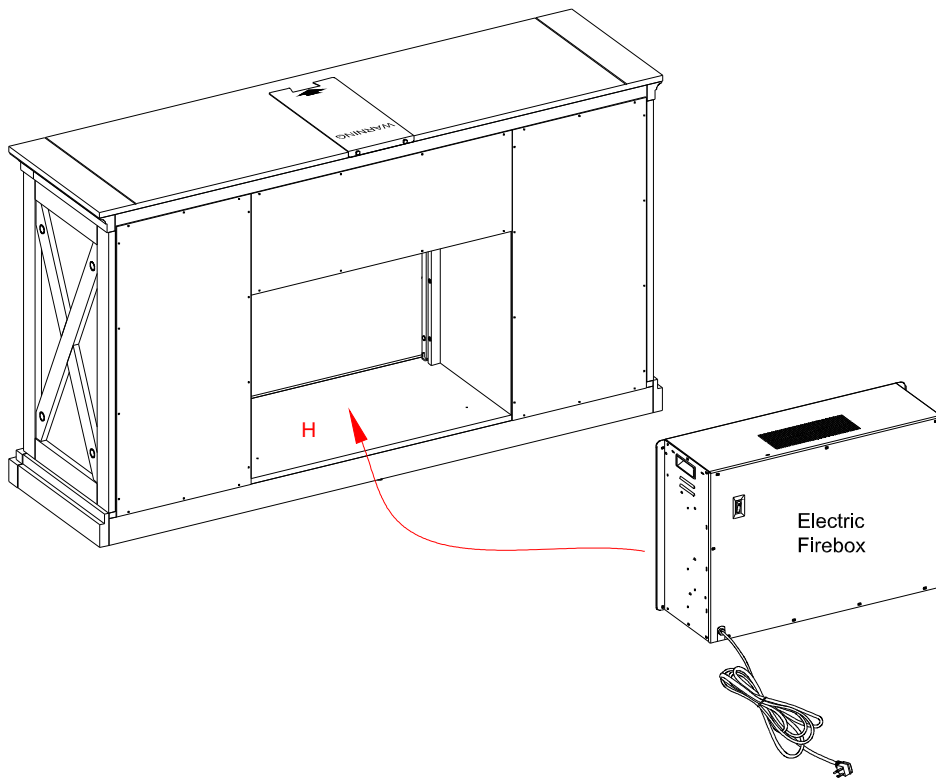


25. Hang the four Door Rollers (11) onto the pre-attached hanging bar on the Top Front Stretcher (B) and fasten to the both Doors (J and K) with the provided 15 mm Bolts (12).

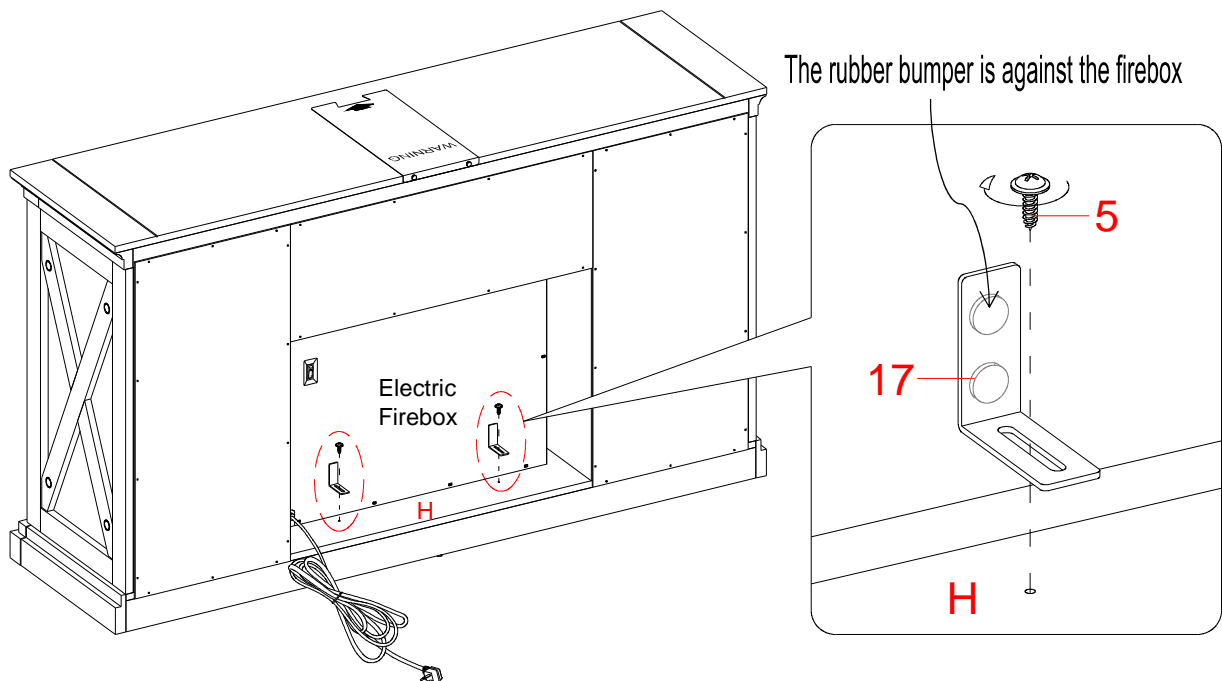


26. Stand the unit upright.
27. Insert the Shelf Supports (14) into the desired holes in the sides of the side compartments. Make sure you place the four Shelf Supports in the same level so the shelf is not tilted. Tilt and rest the Adjustable Shelves (I) onto the Shelf Supports (14).
28. Plug the Cam Lock Covers (16) onto the visible cams locks to conceal the cams. Stick the Rubber Bumpers (18) on the outer edge of Left and Right Doors (J and K) where they met the Side Panels (C).

Assembly Instructions

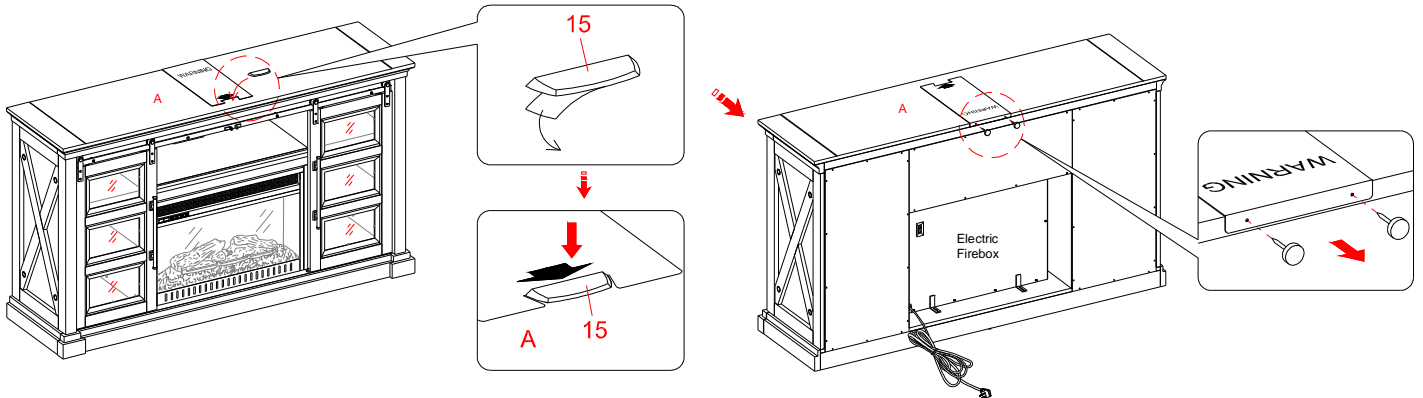


29. Lift the fireplace insert carefully into the back of the assembled mantel and center it in the opening. **DO NOT** drag the insert across the Base (H) as it may scratch the unit.



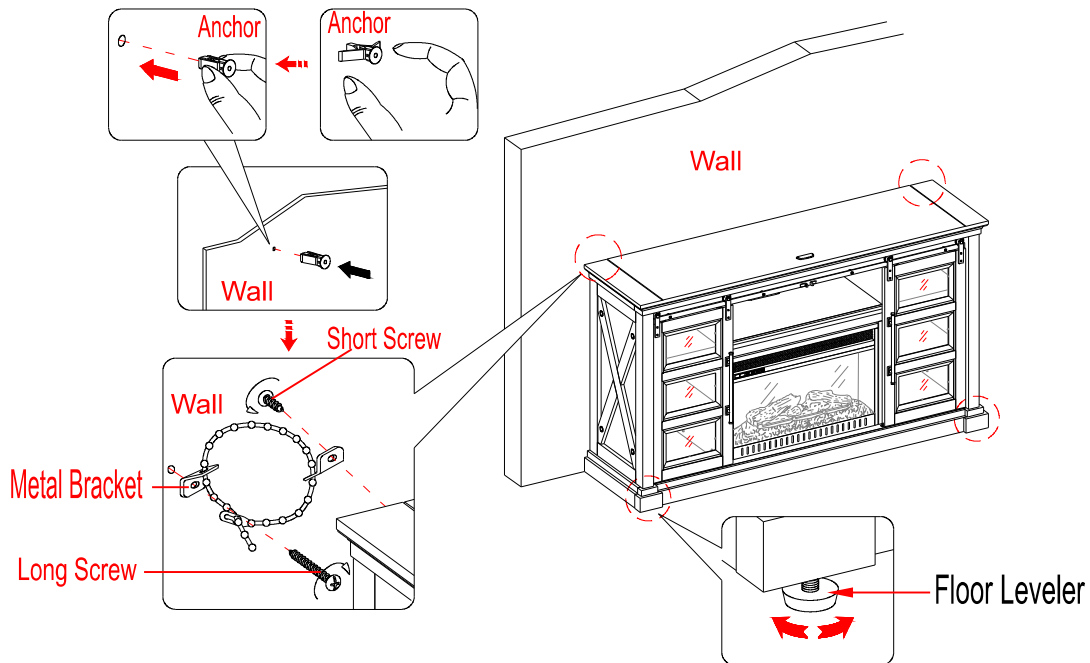
30. Using the pilot holes as a guide, align and attach two L-shaped Metal Braces (17) to the Base (H) by screwing one Washer Head Screw (5) in each.

Assembly Instructions



NOTE: You must install the Acrylic TV Stopper to prevent the TV from tipping when placing your flat panel television directly on the console.

31. Remove the paper backing from the Acrylic Stopper (15), then properly align the Acrylic Stopper into the cut-out on the acrylic stopper template on the Top Panel (A). Press down on the acrylic stopper to help adhesion.
32. At the back of Top Panel (A), carefully unscrew two thumb tacks to remove the acrylic stopper template.



Tools required: Phillips screwdriver, Power Drill, 3/8" Drill Bit and Rubber Mallet.

33. Ask for assistance to position the assemble fireplace at the desired location against a wall. If necessary, adjust the pre-attached Floor Levelers at the bottom of the Base (H) to level the unit. Now, follow the instructions printed on the plastic bag containing the Tipping Restraint Hardware to attach the tip-over restraints to the unit and the wall.

NOTE: Young children can be seriously injured by tipping furniture. You must install the Tipping Restraint Hardware with the unit to prevent the unit from tipping, causing any accidents or damage. The tipping restraint is intended only as a deterrent, they are not a substitute for proper adult supervision. The tipping restraint is not an earthquake restraint. If you wish to add the extra security of earthquake restraints, they must be purchased and installed separately.

34. Connect the fireplace to the power transformer. Follow the operating manual for the electric fireplace insert to control your fireplace.

Care and Maintenance

- Use a soft, clean cloth that will not scratch the surface when dusting.
- Use of furniture polishes is not necessary. Should you choose to use polishes, test first in an inconspicuous area.
- Using solvents of any kind on your furniture may damage the finish.
- Never use water to clean your furniture as it may cause damage to the finish.
- Always use coasters under beverage glasses and flowerpots.
- Liquid spills should be removed immediately. Using a soft clean cloth, blot the spill gently. Avoid rubbing.
- Always use protective pads under hot dishes and plates. Heat can cause chemical changes that may create spotting within the furniture finish.
- In the event that your furniture is stained or otherwise damaged during use, we recommend that you call a professional to repair your furniture.
- Check bolts/screws periodically and tighten them if necessary.

Further Advice about Wood Furniture Care

It is best to keep your furniture in a climate-controlled environment. Extreme temperature and humidity changes can cause fading, warping, shrinking and splitting of wood. It is advised to keep furniture away from direct sunlight as sun may damage the finish.

Proper care and cleaning at home will extend the life of your purchase. Following these important and helpful tips will enhance your furniture as it ages.

Cleaning Trim for Fireplace

Clean the metal trim using a soft cloth, slightly dampened with citrus oil based product and buff with a clean soft cloth. DO NOT use brass polish or household cleaners as these products will damage the metal trim. Citrus oil based products can be obtained at supermarkets or hardware stores.

A touch-up pen has been provided to minimize the small nicks or scratches that may occur during assembly or shipping.

We hope you enjoy your purchase for many years.
Thank you for your purchase!

QUALITY GUARANTEE

We are confident that you will be delighted with your Whalen Furniture purchase.

Should this product be defective in workmanship or materials or fail under normal use, we will repair or replace it for up to one (1) year from date of purchase. Every Whalen Furniture product is designed to meet your highest expectations. We guarantee that you will immediately see the value of our fine furniture.

This warranty gives you specific legal rights and you may also have other rights which vary from State to State.

Customer Service: 1-866-942-5362
8:30 a.m. - 4:30 p.m., PST, Monday to Friday
www.whalenfurniture.com