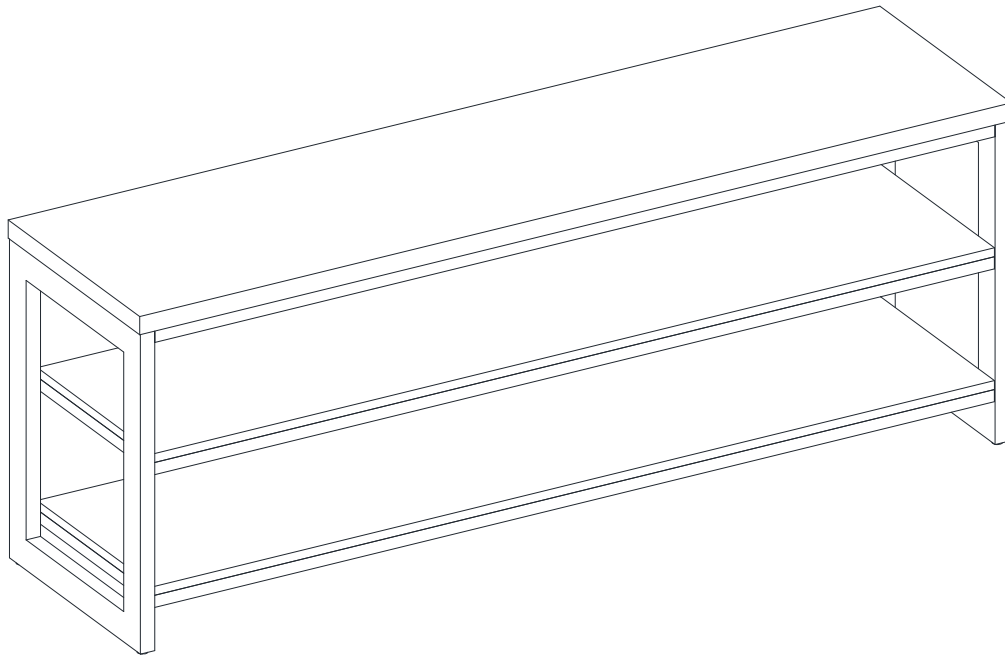


60" TV Stand

Model # BBAVC60-3



ADULT ASSEMBLY REQUIRED

If you have any questions regarding assembly or if parts are missing, DO NOT return this item to the store where it was purchased. Please call our toll-free customer service number and have your instructions and parts list ready to provide the model name, part name or factory number:

1-866-942-5362

Pacific Standard Time: 8:30 a.m. - 4:30 p.m., Monday to Friday

Or visit our website 24 hours a day, 7 days a week for product assistance at

www.whalenfurniture.com

Or e-mail your request to **parts@whalenfurniture.com**

**THIS INSTRUCTION BOOKLET CONTAINS IMPORTANT SAFETY INFORMATION.
PLEASE READ AND KEEP FOR FUTURE REFERENCE.**

GENERAL INFORMATION, TIPS AND TRICKS

1. Please read the Assembly Instructions prior to assembling this product.
2. Remove all hardware from the box and sort by size.
3. Check to see that all hardware and parts are present BEFORE assembling.
4. Ask a friend to assist you with the assembly of this furniture.
5. To avoid damage, assemble the product on a sturdy, level and protective surface.
6. Please wait until all steps are completed before fully tightening bolts.
7. Make sure all screws and bolts are tightly fastened before the unit is used.

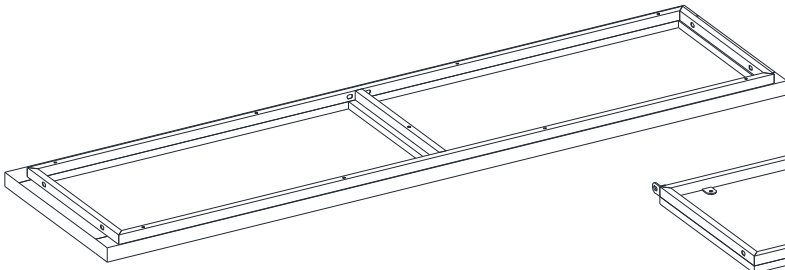
This product is sold with one sets of Tipping Restraint Hardware Kit. You must install the Tipping Restraint Hardware between the wall and the console to prevent any accidents or damages. When properly installed, this restraint can provide protection against the unexpected tipping of the unit due to small tremors, bumps or climbing. The restraint is only a deterrent and is not a substitute for proper adult supervision. Use of tip-over restraints may only reduce, but not eliminate, the risk of tip-over.

SPECIAL NOTE

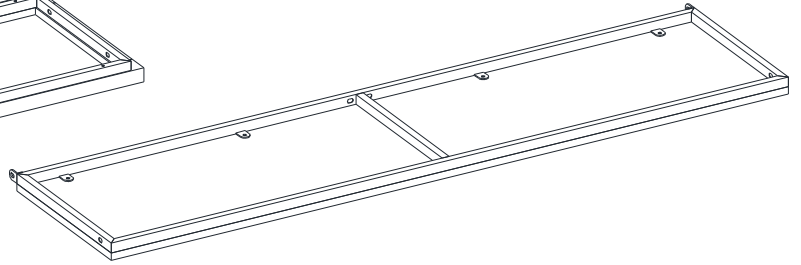
Please read the instruction sheets completely before assembly. Examine all packaging material before discarding carton. Remove any remaining staples from the carton before discarding. Remove all parts from carton and separate into groups as indicated on part list. Please ensure all parts are included prior to assembly. Use of power tools to complete assembly is not recommended.

Parts and Hardware List

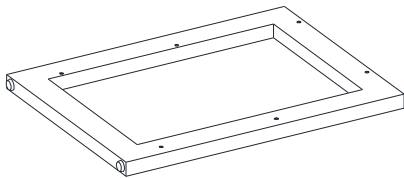
Please read completely through the instructions and verify that all listed parts and hardware are present before beginning assembly.



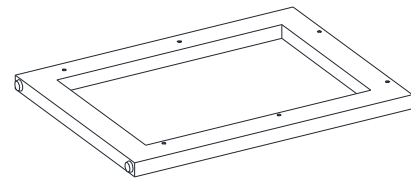
A- Top Panel (Qty. 1)



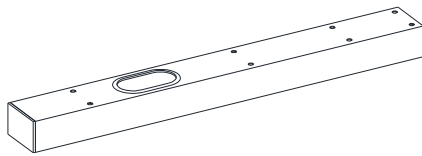
B- Shelf (Qty. 2)



C- Left Leg (Qty. 1)



D- Right Leg (Qty. 1)



E- Spine (Qty. 1)



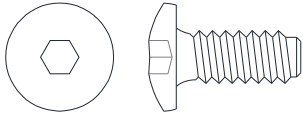
F- Top Frame Support (Qty. 1)



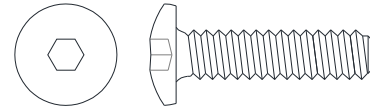
G- Cable Wheel (Qty. 2)

Parts and Hardware List

Please read completely through the instructions and verify that all listed parts and hardware are present before beginning assembly.



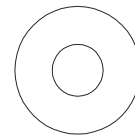
(1) 1/4" x 5/8" Bolt
(Qty. 11+1 extra)



(2) 1/4" x 1" Bolt
(Qty. 14+1 extra)



(3) Lock Washer
(Qty. 21+1 extra)



(4) Flat Washer
(Qty. 21+1 extra)



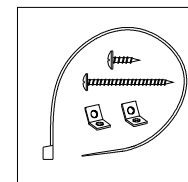
(5) Acrylic Stopper
(Qty. 2)



(6) Hex Wrench
(Qty. 1)



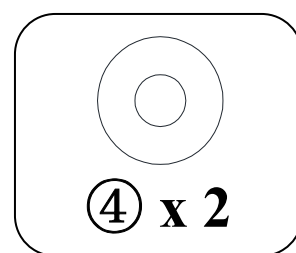
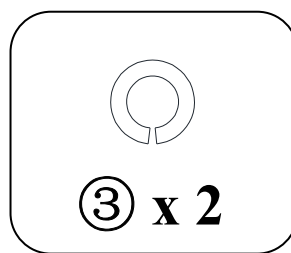
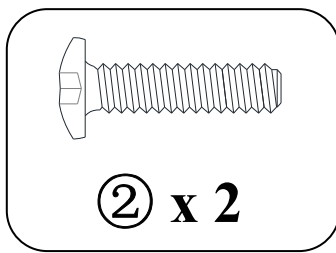
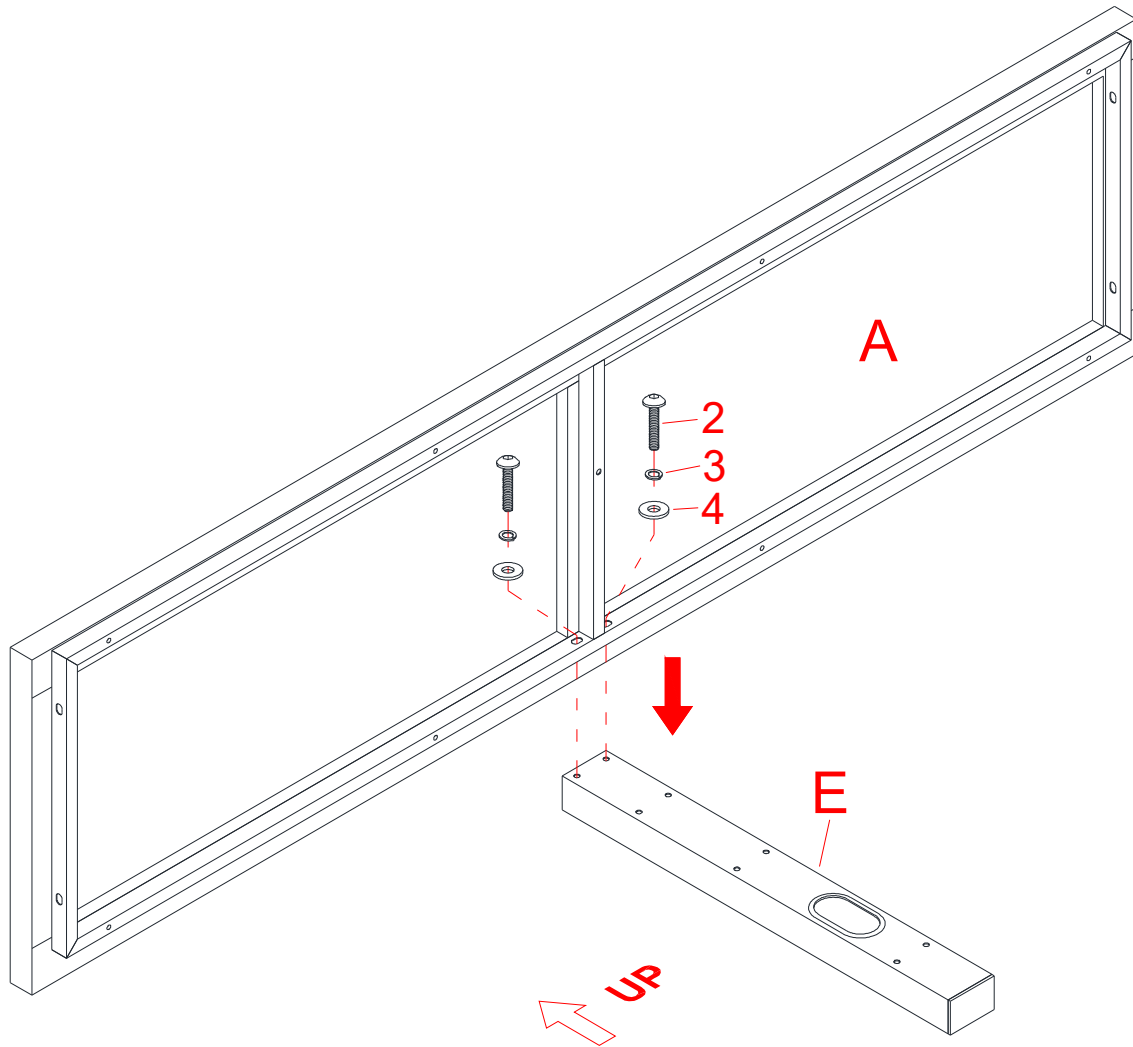
Touch-up Pen
(Qty. 1)



Tipping Restraint Hardware Kit (Qty. 1)
(Included in plastic bag)

Tools required: Phillips screwdriver and rubber mallet (not provided).

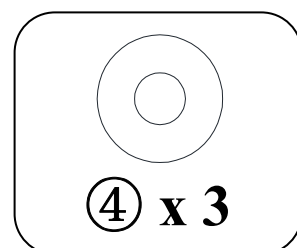
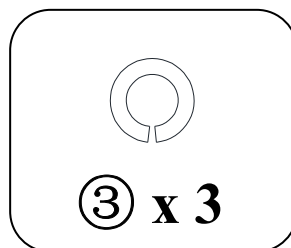
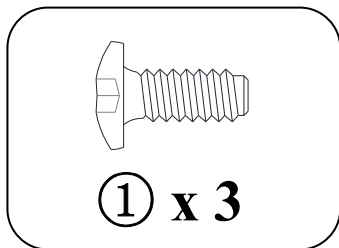
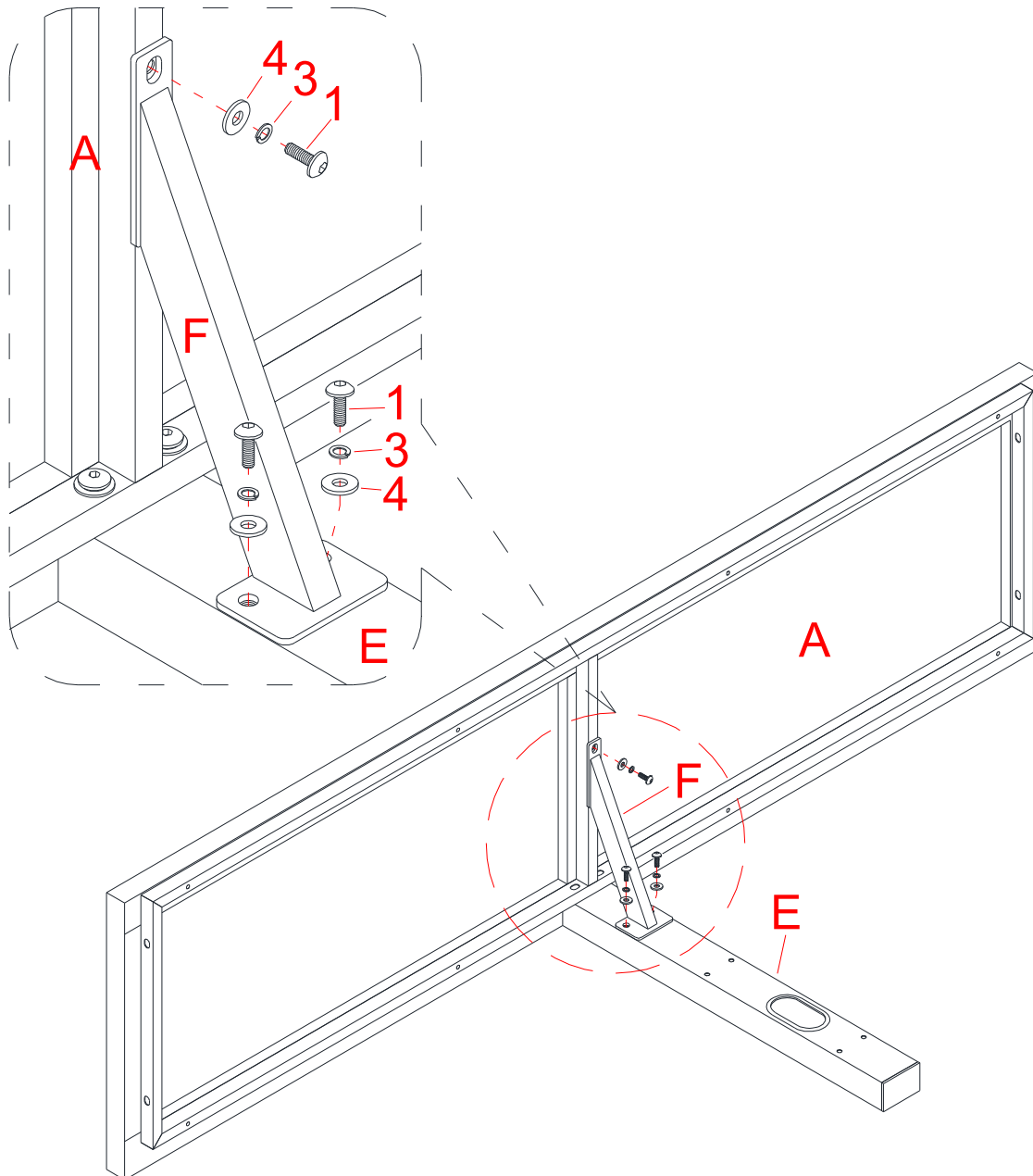
Assembly Instructions



NOTE: Please do not fully tighten all bolts until you finish assembling all parts. Once assembled, go back and fully tighten all bolts. This will make it easier during assembly of unit.

1. Unpack the unit and confirm that you have all the hardware and required parts. Assemble the unit on a carpeted floor or the empty carton to avoid any scratch.
2. Locate the Spine (E) and set back face down on a scratch free surface as shown.
3. Align and attach Top Panel (A) to the Spine (E) with two 1" Bolts (2), two Lock Washers (3) and two Flat Washers (4). **DO NOT** over-tighten the bolts.

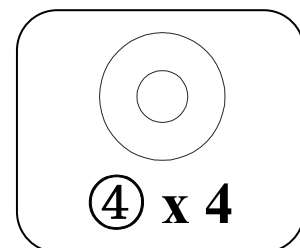
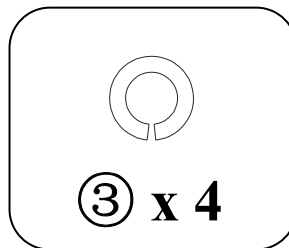
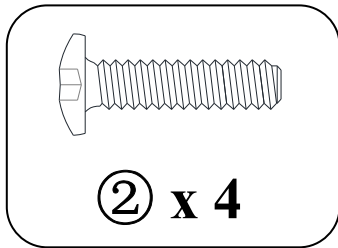
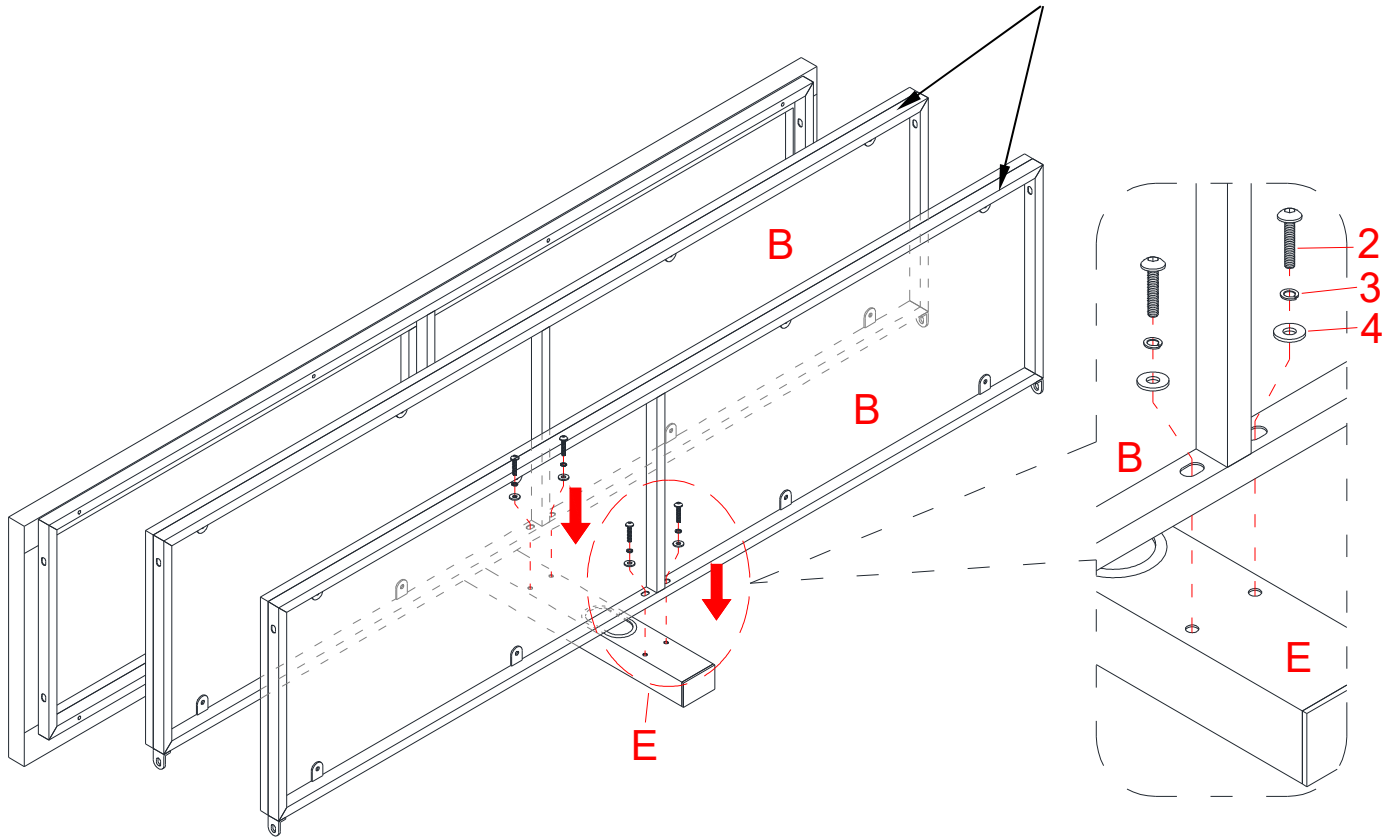
Assembly Instructions



4. Align and attach the Top Frame Support (F) between the center rail of the top metal frame of Top Panel (A) and the Spine (E) with three 5/8" Bolts (1), three Lock Washer (3) and three Flat Washer (4).

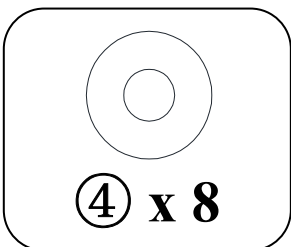
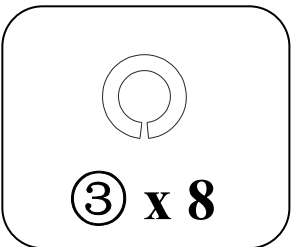
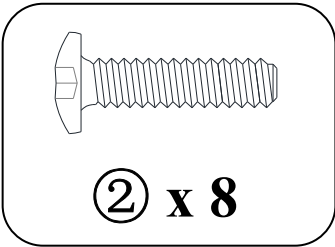
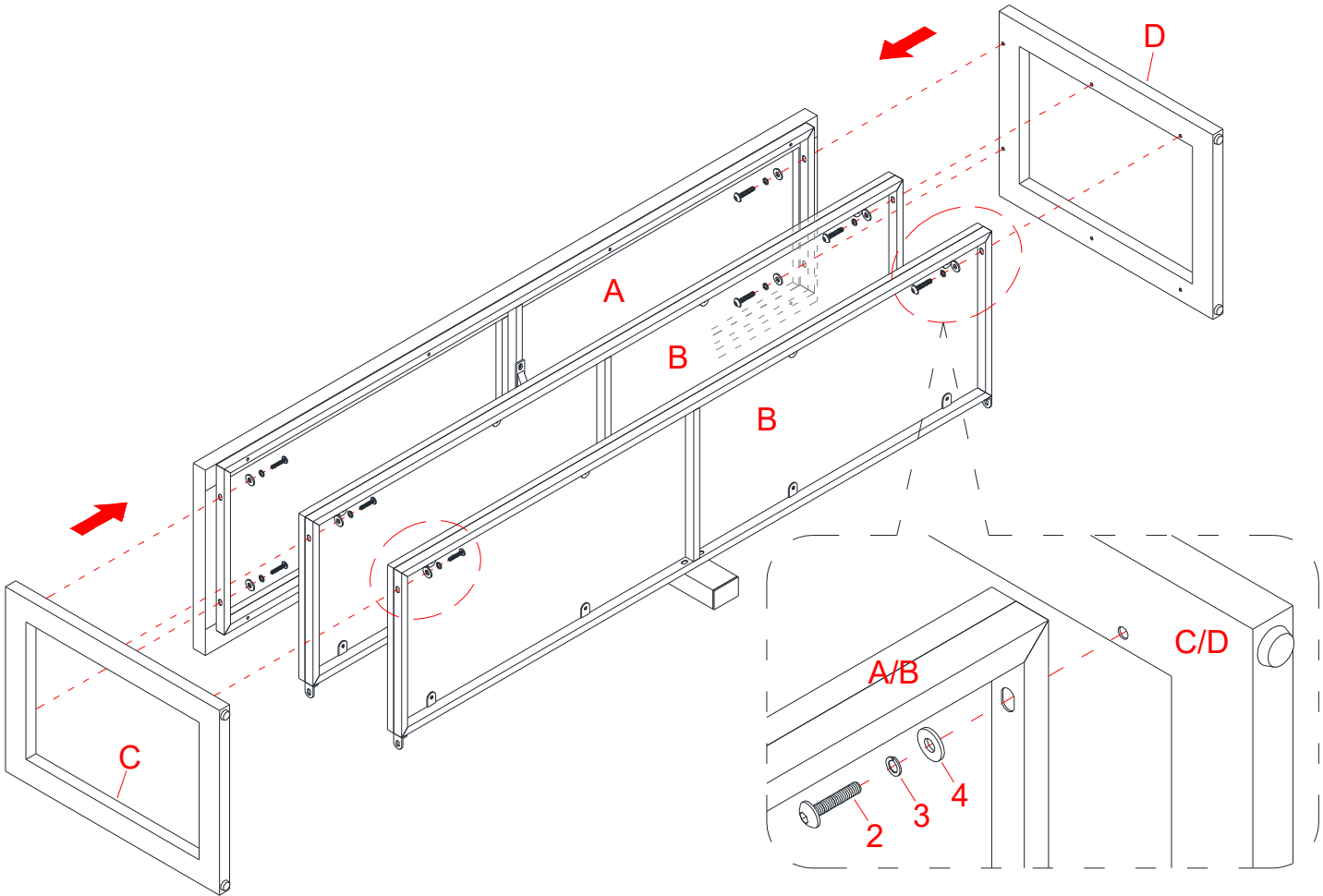
Assembly Instructions

The metal frames will face the floor when the unit is turned upright.



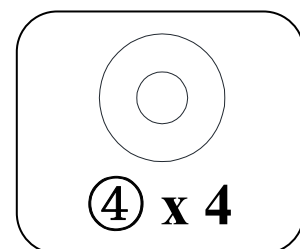
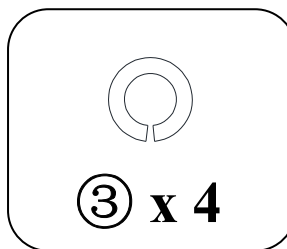
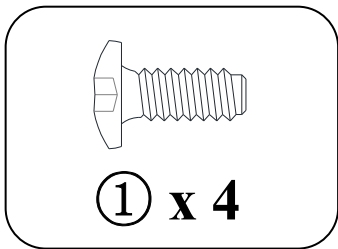
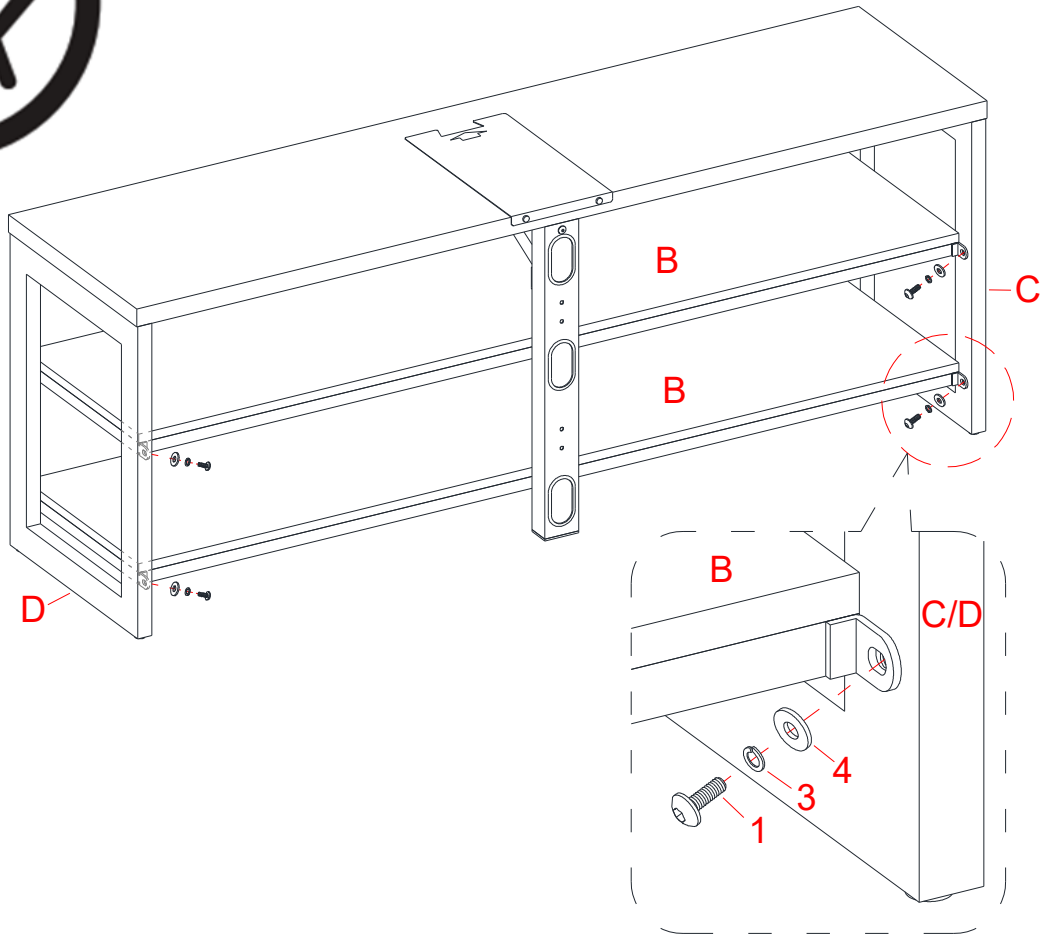
5. Fasten the Shelves (B) to the Spine (E) with two 1" Bolts (2), two Lock Washers (3) and two Flat Washers (4) per shelf.

Assembly Instructions



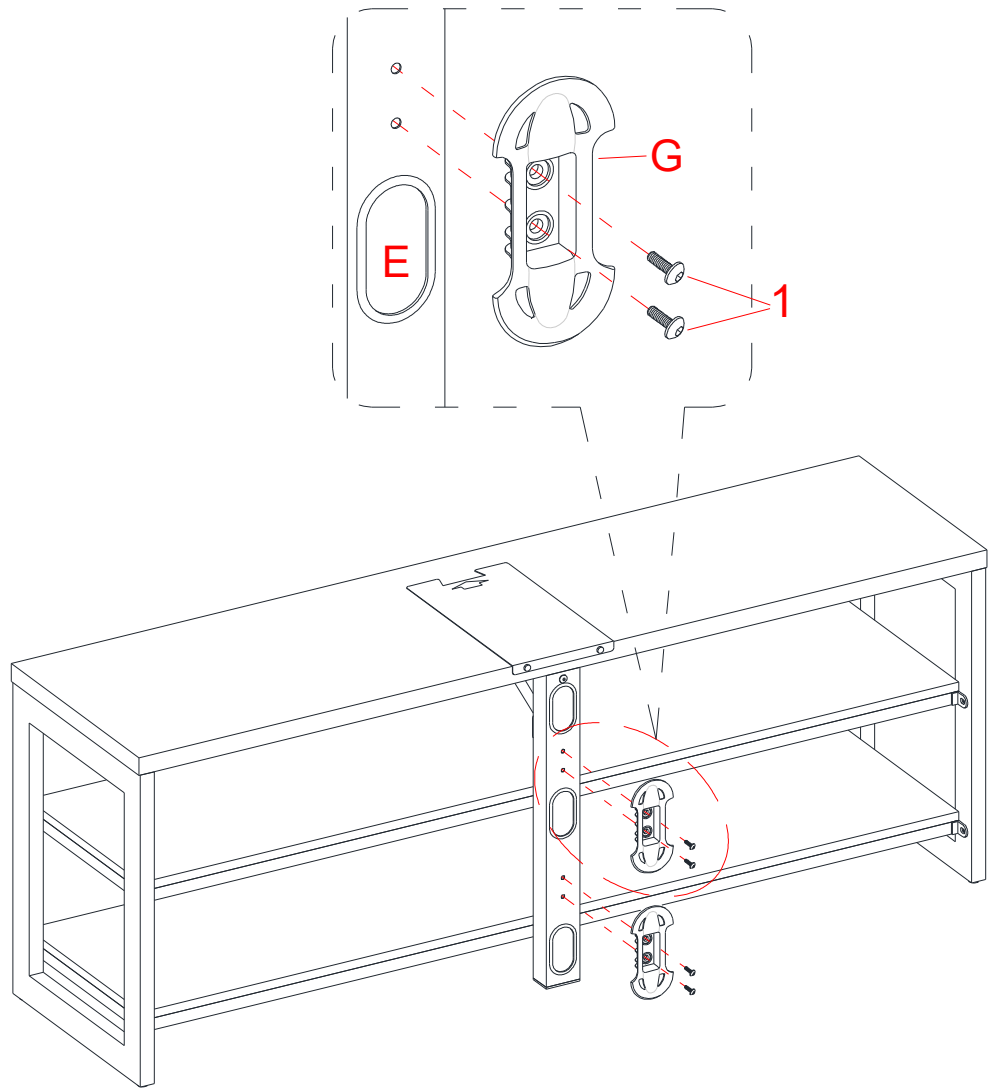
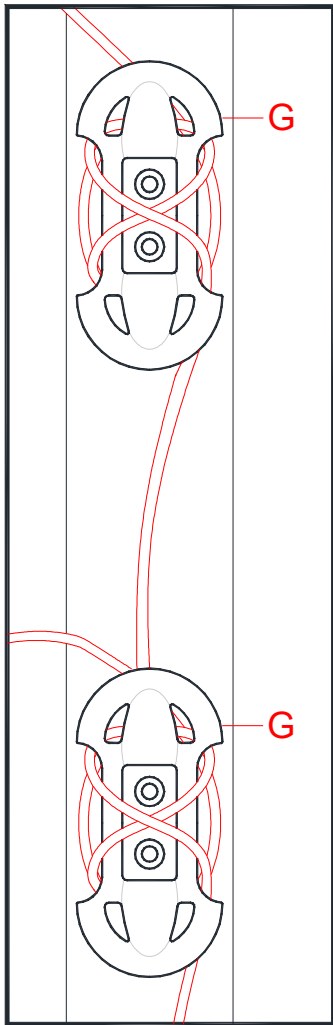
- 6. Align and attach the Left Leg (C) to the previous assembly by inserting four 1” Bolts (2) with Lock Washers (3) and Flat Washers (4) through the side rails of the metal frames and screwing into place.
- 7. Repeat the same procedure to attach the Right Leg (D) at the opposite end.

Assembly Instructions

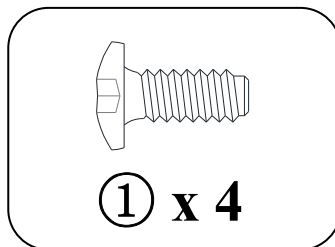


8. Ask for assistance to stand the assembled unit upright.
9. Fasten the Shelves (B) to the Legs (C and D) with four 5/8" Bolts (1), four Lock Washers (3) and four Flat Washers (4).

Assembly Instructions



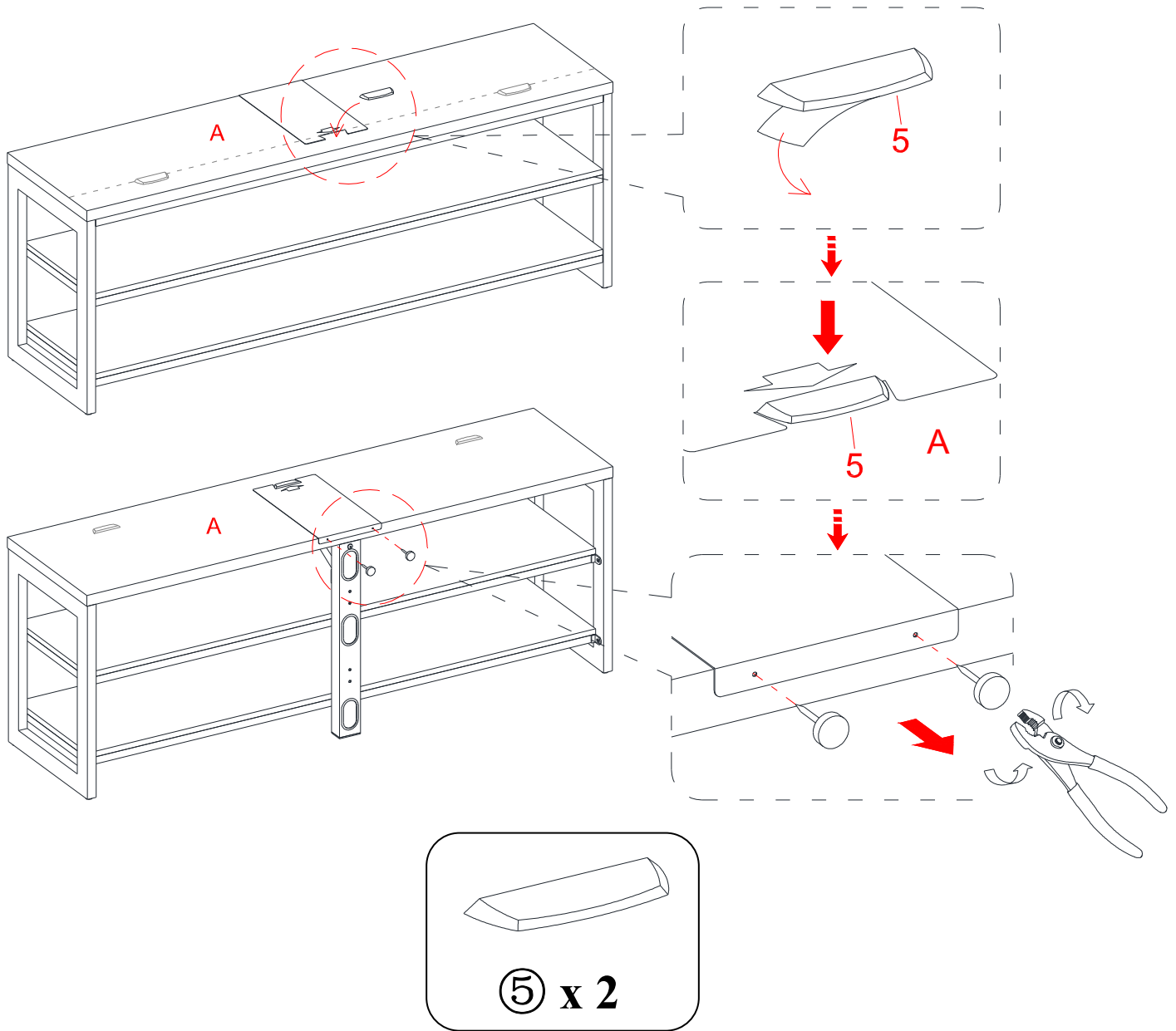
Back View



10. Attach two Cable Wheels (G) to the backside of the Spine (E) with the 5/8" Bolts (1).

NOTE: You can use the Cable Wheels to help keep your entertainment center's cables and cords organized.

Assembly Instructions



NOTE: To prevent your TV from tipping, you must follow these instructions if you place a TV on top of your console. Otherwise, remove the stopper template directly.

11. Attach the Stopper (5) to the Top Panel (A).

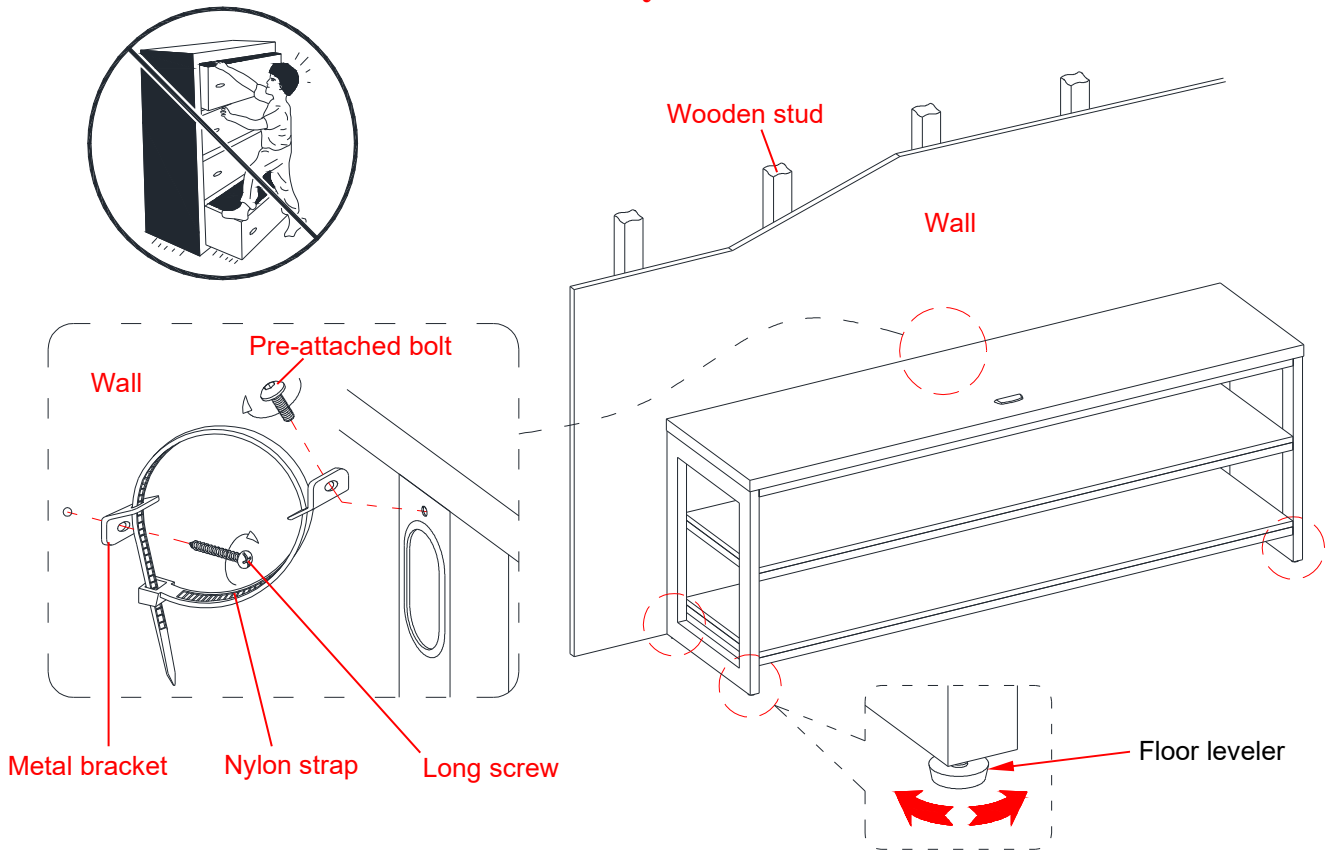
a. If your TV has one base:

- 1) Remove the paper backing from the Stopper (5), then place it in the cut-out of the stopper template on the Top Panel (A). Press down on the Stopper (5) to help adhesion.
- 2) On the back of the Top Panel (A), carefully pull out the thumb tacks to remove the stopper template.

b. If your TV has two bases:

- 1) On the back of the Top Panel (A), carefully pull out the thumb tacks to remove the stopper template.
- 2) Align the template at the position where one of your TV's bases will be located.
- 3) Remove the paper backing from the Stopper (5), then place it in the cut-out of the stopper template on the Top Panel (A). Press down on the Stopper (5) to help adhesion.
- 4) Repeat this process to attach the second Stopper (5).

Assembly Instructions



Tools required (not included): Phillips screwdriver, stud finder, tape measure, pencil, power drill and 1/8" drill bit.

12. Ask for assistance to position the assembled unit at the desired location against a wall. If necessary, adjust the installed Floor Levelers beneath the Legs (C and D) to correct the tilt.
13. Follow the instructions printed on the plastic bag containing the Tipping Restraint Hardware to attach the tip-over restraints to the unit and the wall.

NOTE: The tipping restraint hardware included is for wooden stud wall construction. It must be attached to a wall stud. Depending upon your wall construction, different anchor hardware may be required. Please contact your local hardware store for assistance. Young children can be seriously injured by tipping furniture. You must install the Tipping Restraint Hardware with the unit to prevent the unit from tipping, causing any accidents or damage. The tipping restraints are intended only as a deterrent, they are not a substitute for proper adult supervision. The tipping restraints are not earthquake restraints. If you wish to add the extra security of earthquake restraints, they must be purchased and installed separately.

WARNING

- Unit must be placed on a level surface or leveled with included hardware (when applicable).
- Do not sit or stand on or allow children to climb, sit or stand on the assembled product.
- For safety reasons, it is imperative that this unit be mounted to the wall.
- Do not use without installing the tip restraint.
- Unit can tip over causing severe injury or death.
- Do not exceed the recommended weight limits.
- Evenly distribute the weight on each level and always keep the heavier loads on the bottom.
- Before cutting, drilling or hammering into any wall or floor surface, verify the location of electrical, plumbing and gas lines. Cutting may cause serious injury.

Care and Maintenance

- Use a soft, clean cloth that will not scratch the surface when dusting.
- Use of furniture polishes is not necessary. Should you choose to use polishes, test first in an inconspicuous area.
- Using solvents of any kind on your furniture may damage the finish.
- Never use water to clean your furniture as it may cause damage to the finish.
- Always use coasters under beverage glasses and flowerpots.
- Liquid spills should be removed immediately. Using a soft, clean cloth, blot the spill gently. Avoid rubbing.
- Always use protective pads under hot dishes and plates. Heat can cause chemical changes that may create spotting within the furniture finish.
- Stains or marks from crayons or ink markers will be difficult to remove.
- In the event that your furniture is stained or otherwise damaged during use, we recommend that you call a professional to repair your furniture.
- Check bolts/screws periodically and tighten them if necessary.

WARNING

Please use your furniture correctly and safely. Improper use can cause safety hazards, or damage to your furniture or household items. Carefully read the following safety information.

This unit is not intended for use with CRT TVs. The top surface maximum weight capacity is 80 lbs. (36.3 kg) and maximum load 70in. (177.8 cm) diagonal flat-panel TV. The shelf maximum recommended weight allowance is 50 lbs. (22.7 kg). Use with heavier televisions may result in instability causing tip over resulting in death or serious injury.

Death or serious injury may occur when children climb on audio and/or video equipment furniture. A remote control or toys placed on the furnishing may encourage a child to climb on the furnishing and as a result may tip over onto the child.

NEVER allow children to climb or play with the TV or furnishing supporting the TV.

NEVER place toys, food, remote, etc. on top of the TV or TV furnishing.

ALWAYS use either the safety hardware as instructed or other wall anchoring device.

Relocating audio and/or video equipment to furniture not specifically designed to support audio and/or video equipment may result in death or serious injury due to furniture collapse or over turning onto a child.

NEVER place a TV on furniture that is not intended to support a TV.

NEVER exceed the maximum size and weight of the TV shown in the instructions.

Be sure to refer to the TV warning label as shown in the instructions.

Overloading drawers and shelves may result in furniture that can break or sag, or tip-over which may result in injury.

NEVER exceed the weight limits shown in the instructions.

Place the heavier items on lower shelves as far back from the front as possible.

Load the bottom surfaces first to avoid top-heavy furniture.

Moving furniture that is not designed to be moved or equipped with casters may result in injury or damage to furnishings or personal property.

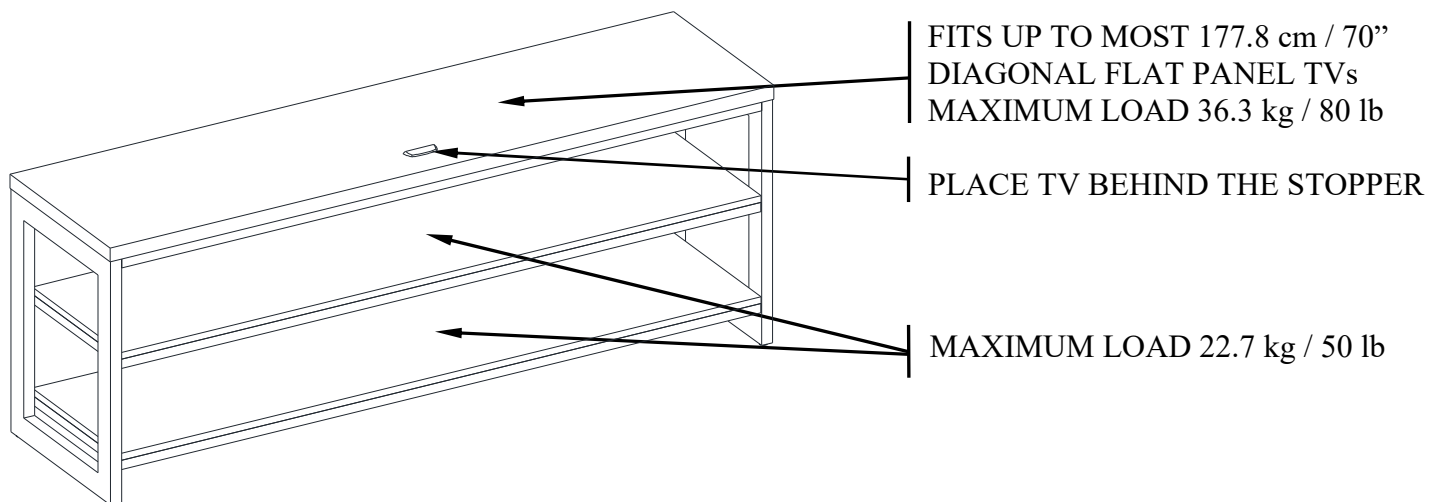
ALWAYS unload shelves and drawers, starting with the top surfaces, before moving.

NEVER push or pull furniture on carpet. Have a friend help lift properly to move and/or reposition it.

The TV stand is not meant as a seat and no one should be sitting or standing on the stand.

MAXIMUM RECOMMENDED WEIGHT LOADS

MANUFACTURER: Whalen Furniture Manufacturing
CATALOG: 60" TV Console
MODEL # BBAVC60-3



WARNING

THIS UNIT IS NOT INTENDED FOR USE WITH CRT TVS. USE ONLY WITH FLAT PANEL TVS AND AUDIO/VIDEO EQUIPMENT MEETING RECOMMENDED SIZE AND WEIGHT LIMITS. NEVER USE WITH LARGER/HEAVIER THAN RECOMMENDED FLAT PANEL TVS OR EQUIPMENT. TO AVOID INSTABILITY, PLACE FLAT PANEL TV IN THE CENTER OF THE UNIT; THE BASE OF THE TELEVISION MUST BE ABLE TO REST ON THE SUPPORTING SURFACE OF THE UNIT WITHOUT OVER-HANGING THE EDGES. IMPROPERLY POSITIONED FLAT PANEL TVs, OR FLAT PANEL TVs INCLUDING OTHER EQUIPMENT THAT EXCEED RECOMMENDED SIZE AND WEIGHT LIMITS COULD FALL OFF OR BREAK THE UNIT, CAUSING POSSIBLE SERIOUS INJURY. FOR USE WITH TELEVISIONS WEIGHING 80 LBS (36.3 KG) OR LESS. USE WITH HEAVIER TELEVISIONS MAY RESULT IN INSTABILITY CAUSING TIP OVER RESULTING IN DEATH OR SERIOUS INJURY.

QUALITY GUARANTEE

We are confident that you will be delighted with your Whalen Furniture purchase.

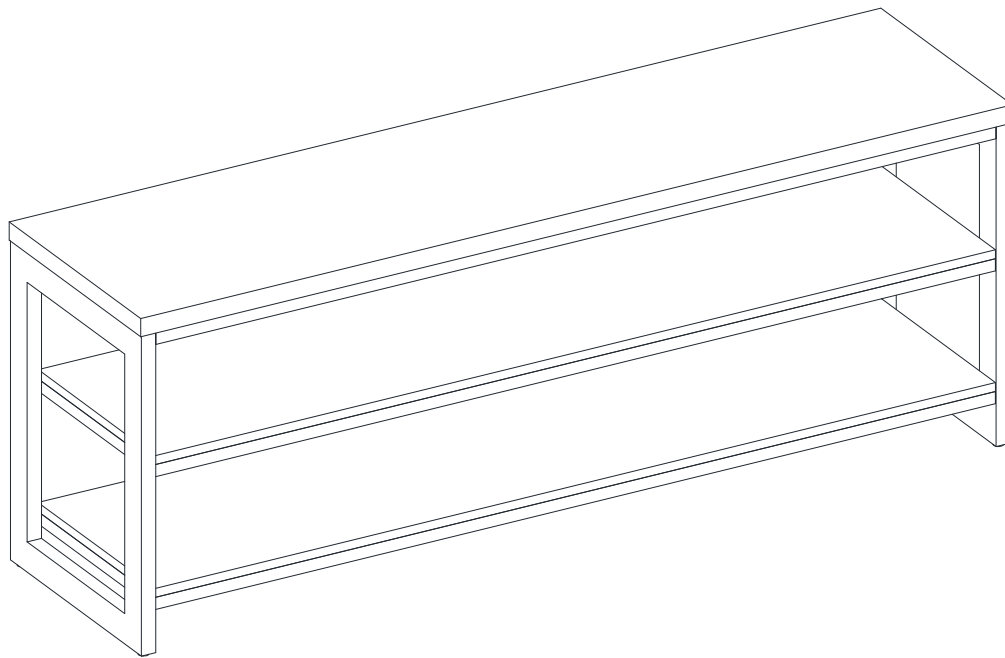
Should this product be defective in workmanship or materials or fail under normal use, we will repair or replace it for up to one (1) year from date of purchase. Every Whalen Furniture product is designed to meet your highest expectations. We guarantee that you will immediately see the value of our fine furniture.

This warranty gives you specific legal rights and you may also have other rights which vary from state to state.

Whalen Furniture Manufacturing
1578 Air Wing Road, San Diego, CA 92154, USA
Customer Service: 1-866-942-5362
8:30 a.m. - 4:30 p.m., PST, Monday to Friday
www.whalenfurniture.com

Consola para TV de 60”

Modelo # BBAVC60-3



ENSAMBLE POR ADULTO REQUERIDO

Si tienen alguna pregunta acerca del ensamble o si alguna parte está faltante, no retorne este producto a la tienda donde lo compro. Por favor llame a nuestro departamento de ayuda al cliente teniendo su instructivo y lista de partes para proveer el modelo, nombre de parte o el número de fábrica:

1-866-942-5362

Hora estándar del Pacífico: 8:30 a.m. - 4:30 p.m., de Lunes a Viernes

O visite nuestra página de Internet 24 horas al día, 7 días a la semana para asistencia

www.whalenfurniture.com

O mande un correo electrónico a **parts@whalenfurniture.com**

**ESTE INSTRUCTIVO CONTIENE INFORMACION IMPORTANTE DE SEGURIDAD.
POR FAVOR LEA Y MANTENGA PARA USO FUTURO.**

Fecha 2021-09-28 Rev. 0001-A

INFORMACIÓN GENERAL, RECOMENDACIONES Y TRUCOS

1. Por favor lea el instructivo antes de comenzar el ensamble.
2. Retirar todo el material de ferretería de la caja y ordenar por tamaño.
3. Asegurar de que todo el material de ferretería y partes estén presentes ANTES del ensamble.
4. Pedir asistencia de un amigo para ensamblar la unidad.
5. Para evitar daños, ensamblar el producto en una superficie fuerte, nivelada y protegida.
6. Esperar hasta que todos los pasos estén completados antes de apretar los pernos.
7. Asegurar de que los pernos y tuercas estén apretados antes de usar la unidad.

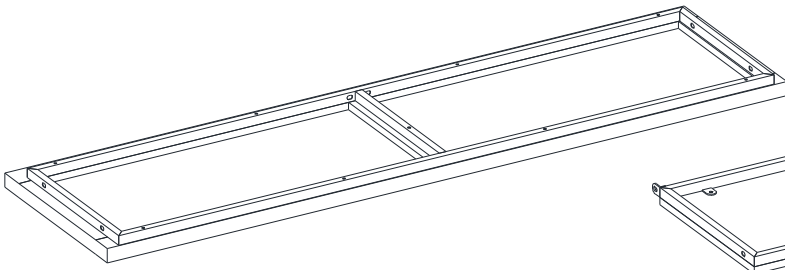
Este producto viene con 1 juego de restricción de movimiento. Debe instalar el juego de restricción de movimiento entre la unidad y la pared para prevenir cualquier accidente o daño. Al ser instalados correctamente, el tope protege contra la inclinación de la unidad debido a temblores pequeños, golpes o escalamiento. El tope de movimiento es solo un impedimento, no hay sustituto para la supervisión adulta. El uso de topes de movimiento puede reducir, pero no eliminar, el riesgo de caída.

NOTA ESPECIAL

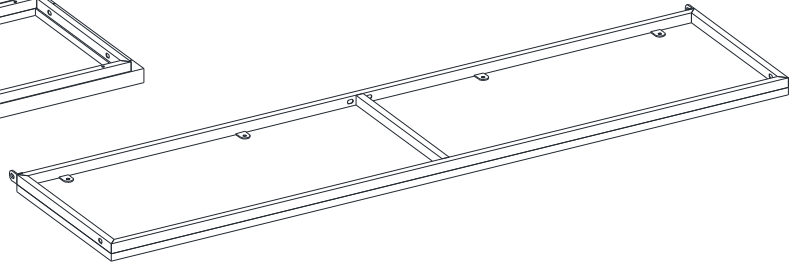
Por favor lea todo el instructivo antes de ensamblar. Examine todo el material de empaque antes de tirar el cartón. Retire cualquier grapa del cartón antes de tirar. Retire todas las partes del cartón y separe en grupos como es indicado en la lista de partes. Por favor asegure que todas las partes estén presentes antes del ensamble. El uso de herramientas eléctricas para completar el ensamble no es recomendado.

Lista de partes y material de ferretería

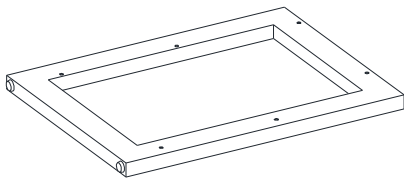
Por favor lea completamente las instrucciones y verifique que estén todas las partes y partes de ferretería antes de iniciar el ensamblado.



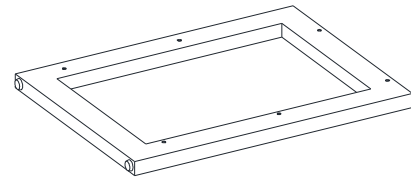
A- Panel superior (Cant. 1)



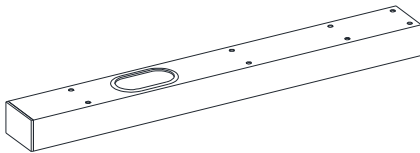
B- Repisa (Cant. 2)



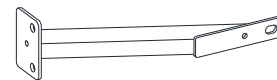
C- Pata izquierda (Cant. 1)



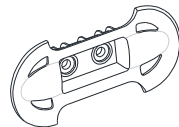
D- Pata derecha (Cant. 1)



E- Soporte central (Cant. 1)



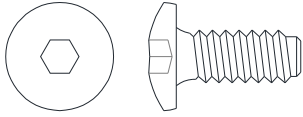
F- Soporte del marco superior (Cant. 1)



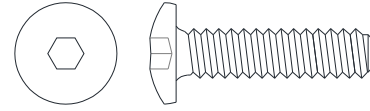
G- Guía para cables (Cant. 2)

Lista de partes y material de ferretería

Por favor lea completamente las instrucciones y verifique que estén todas las partes y partes de ferretería antes de iniciar el ensamblado.



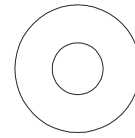
(1) Perno de 1/4" x 5/8"
(Cant. 11+1 extra)



(2) Perno de 1/4" x 1"
(Cant. 14+1 extra)



(3) Arandela de presión
(Cant. 21+1 extra)



(4) Arandela plana
(Cant. 21+1 extra)



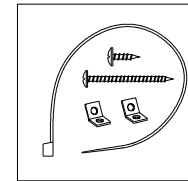
(5) Tope de acrílico
(Cant. 2)



(6) Llave hexagonal
(Cant. 1)



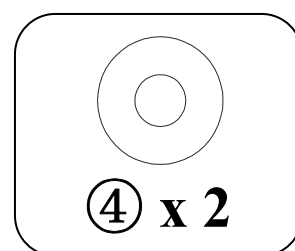
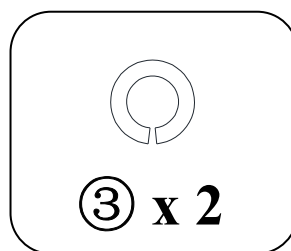
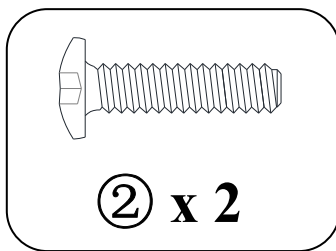
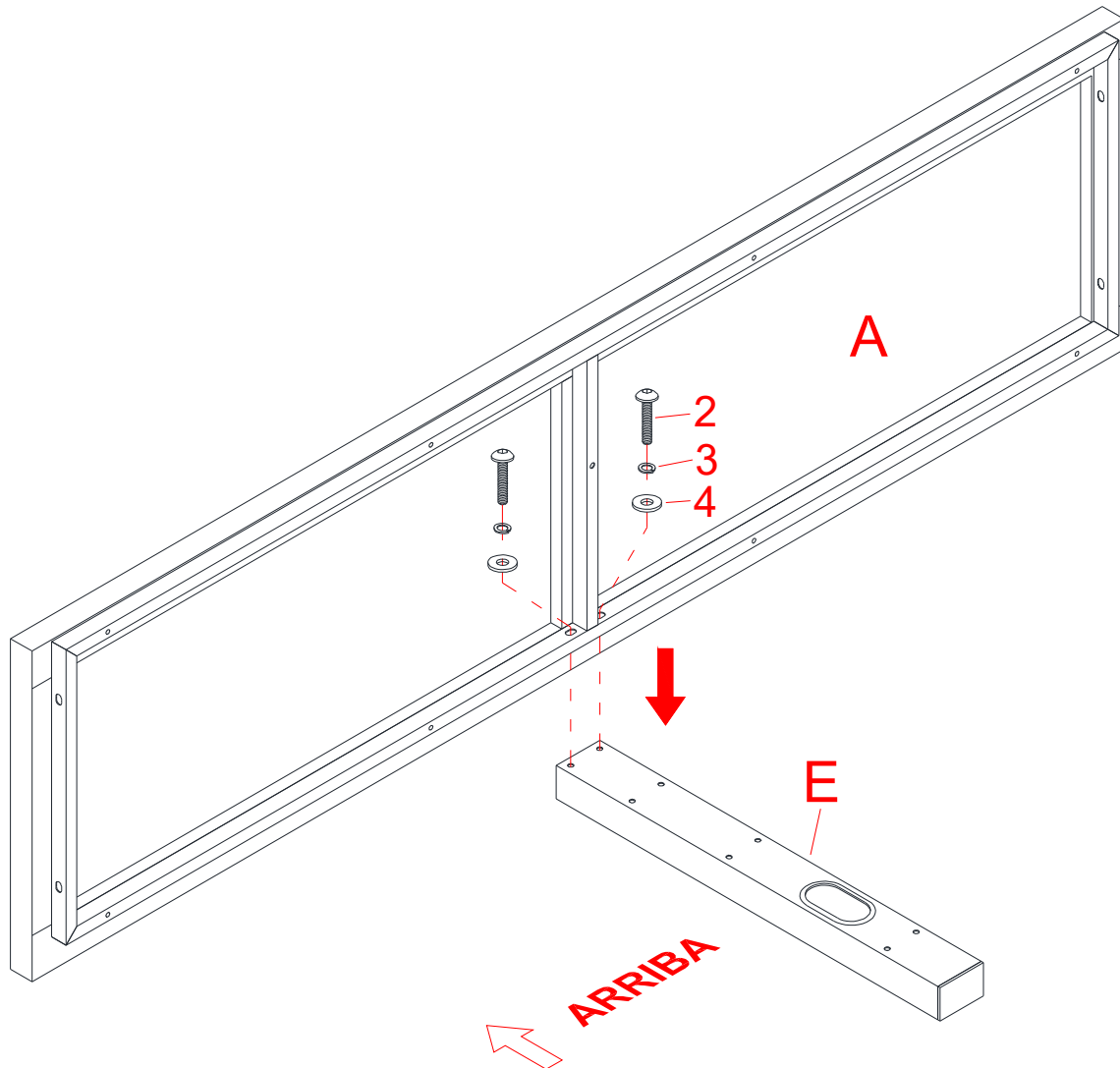
Plumón
(Cant. 1)



Juego de restricción de movimiento (Cant. 1)
(Incluido en bolsa de plástico)

Herramientas requeridas: Desarmador estrella y mazo de goma (no provistos).

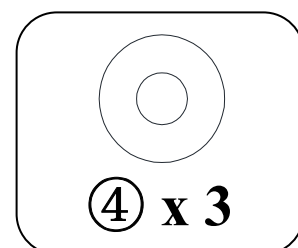
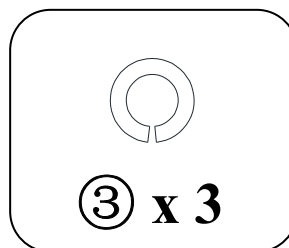
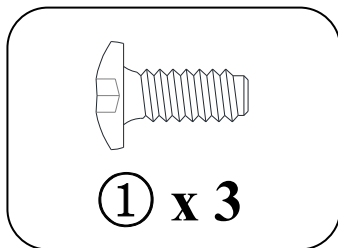
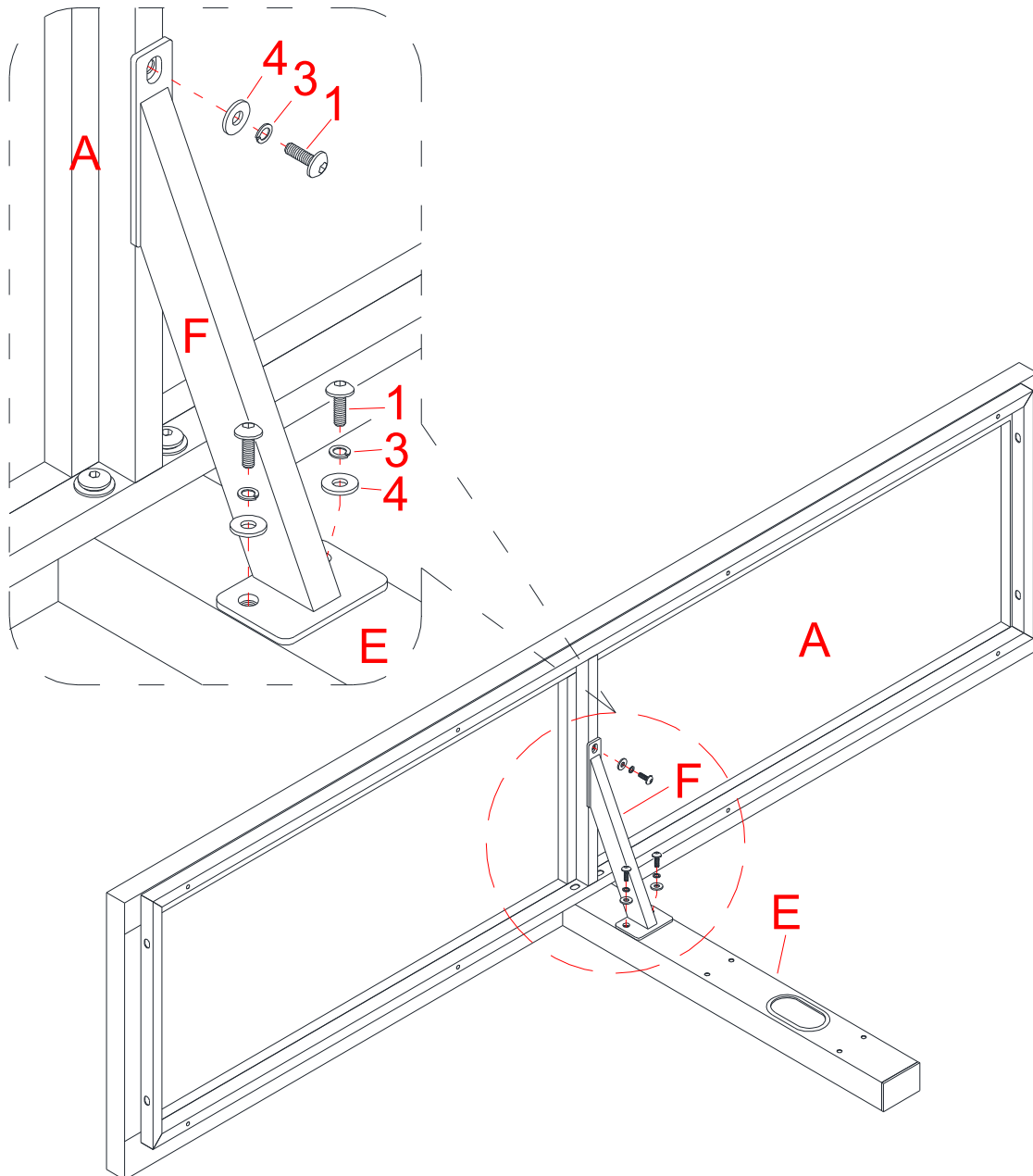
Instructivo de ensamble



NOTA: Por favor no apriete completamente todos los pernos, hasta que termine con el ensamble de las partes. Después asegúrese de apretar todos los pernos. Esto hará el ensamble más fácil.

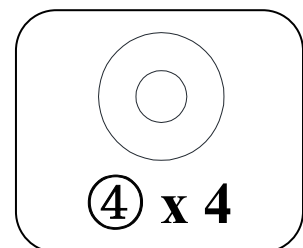
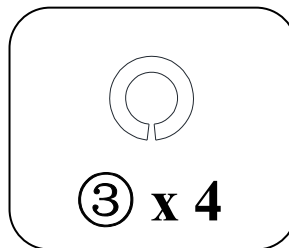
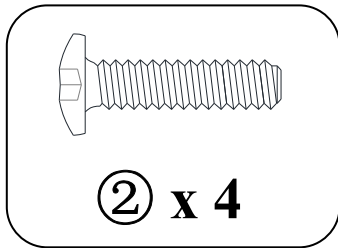
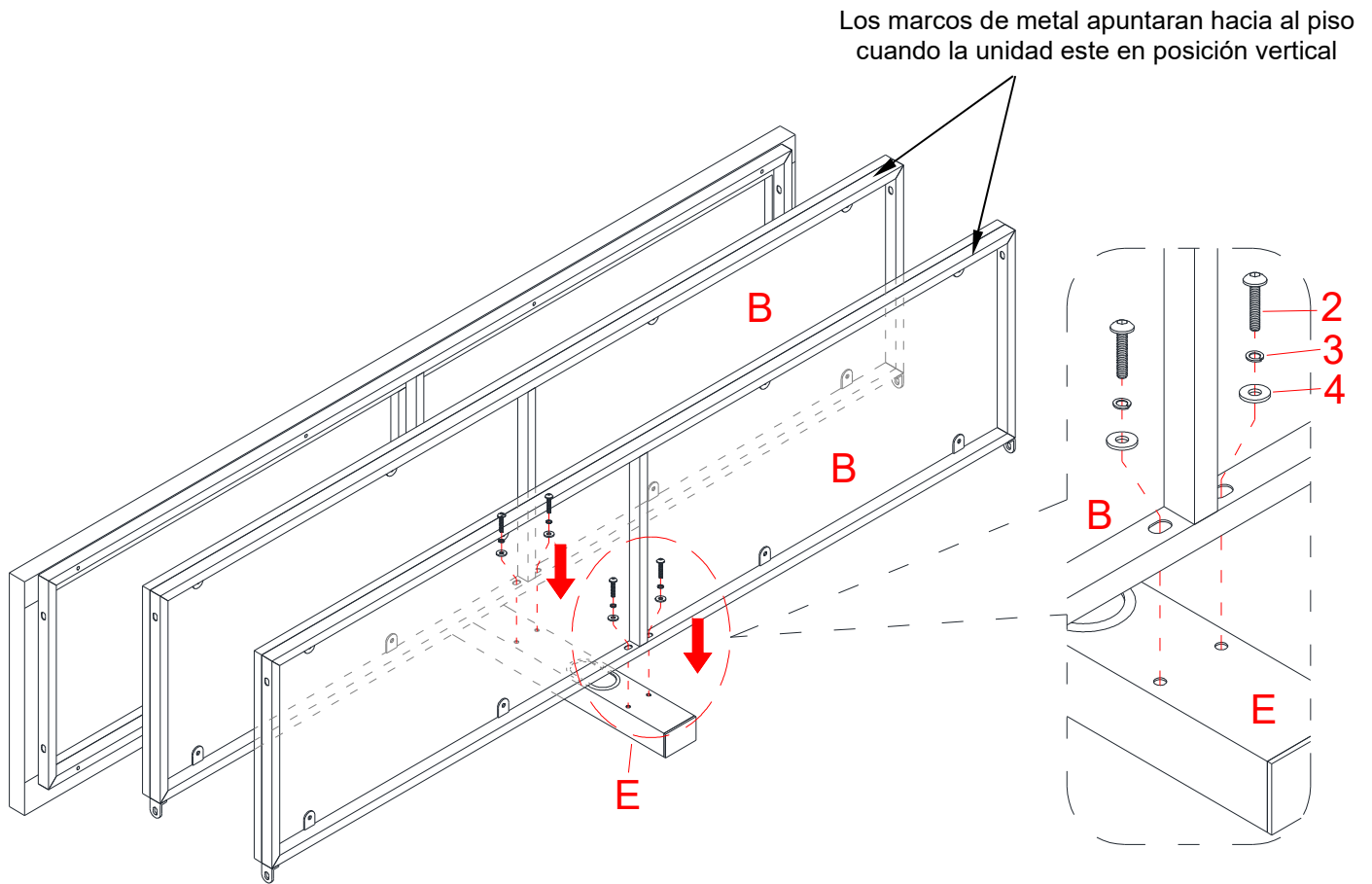
1. Desempacar la unidad y confirmar que se tiene todo el material de ferretería y partes requeridas. Ensamblar la unidad en un piso alfombrado o en el cartón vacío para evitar rasguños.
2. Localizar el soporte central (E) y poner boca abajo en una superficie libre de rasguños como se muestra.
3. Alinear y adjuntar el panel superior (A) al soporte central (E) con 2 pernos de 1" (2), 2 arandelas de presión (3) y 2 arandelas planas (4). **NO** sobre apretar los pernos.

Instructivo de ensamble



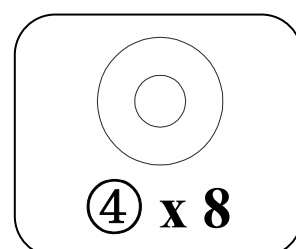
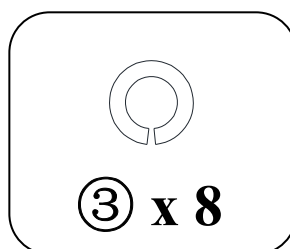
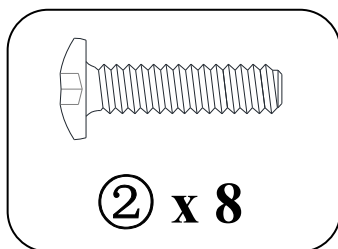
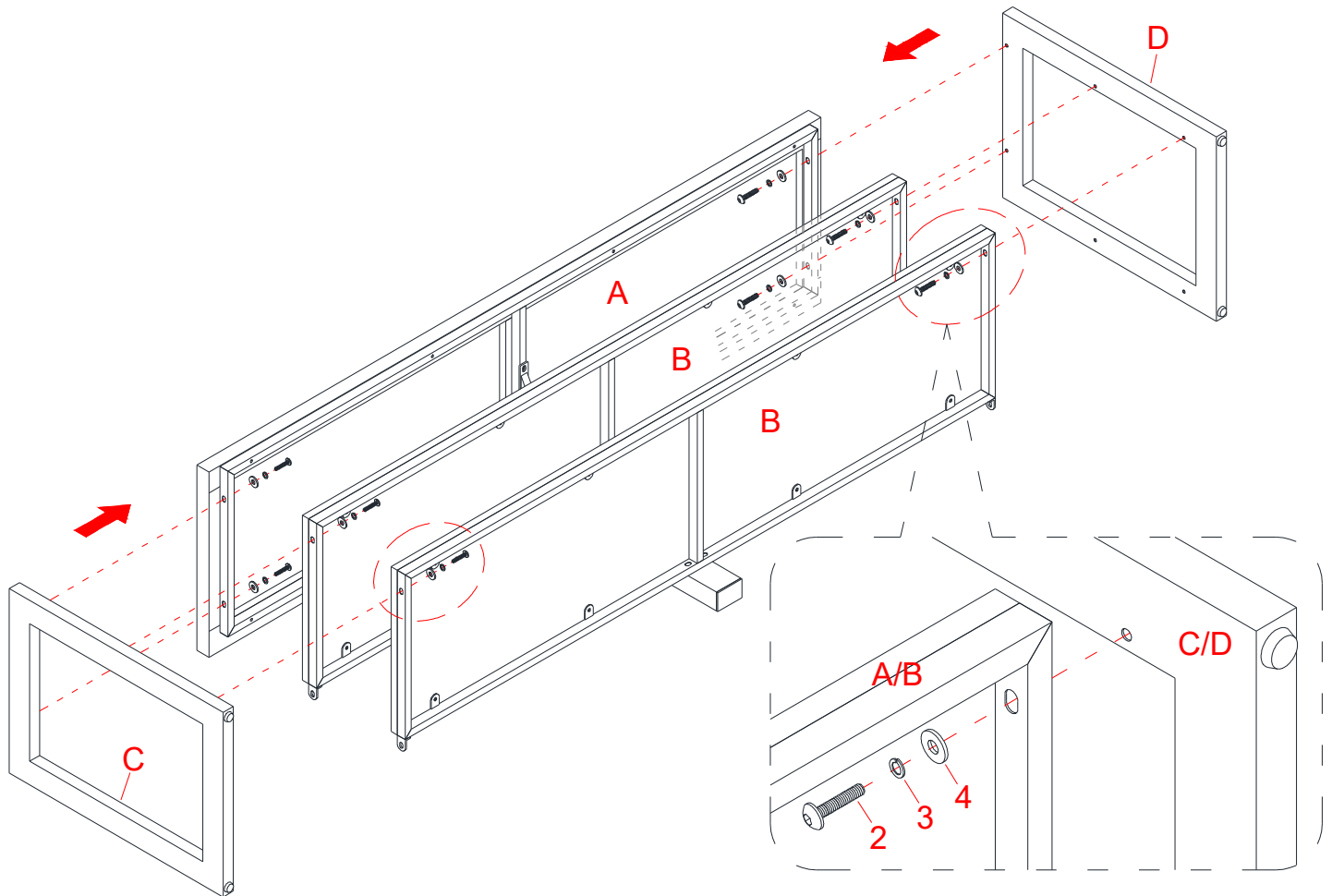
4. Alinear y adjuntar el soporte del marco superior (F) entre el riel central del marco de metal superior del panel superior (A) y del soporte central (E) con 3 pernos de 5/8" (1), 3 arandelas de presión (3) y 3 arandelas planas (4).

Instructivo de ensamble



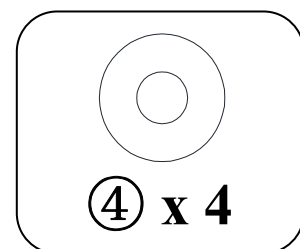
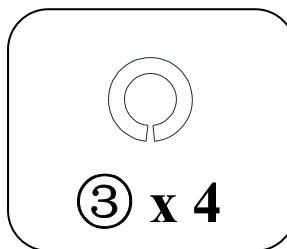
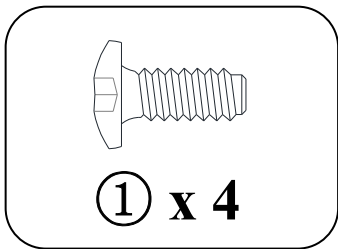
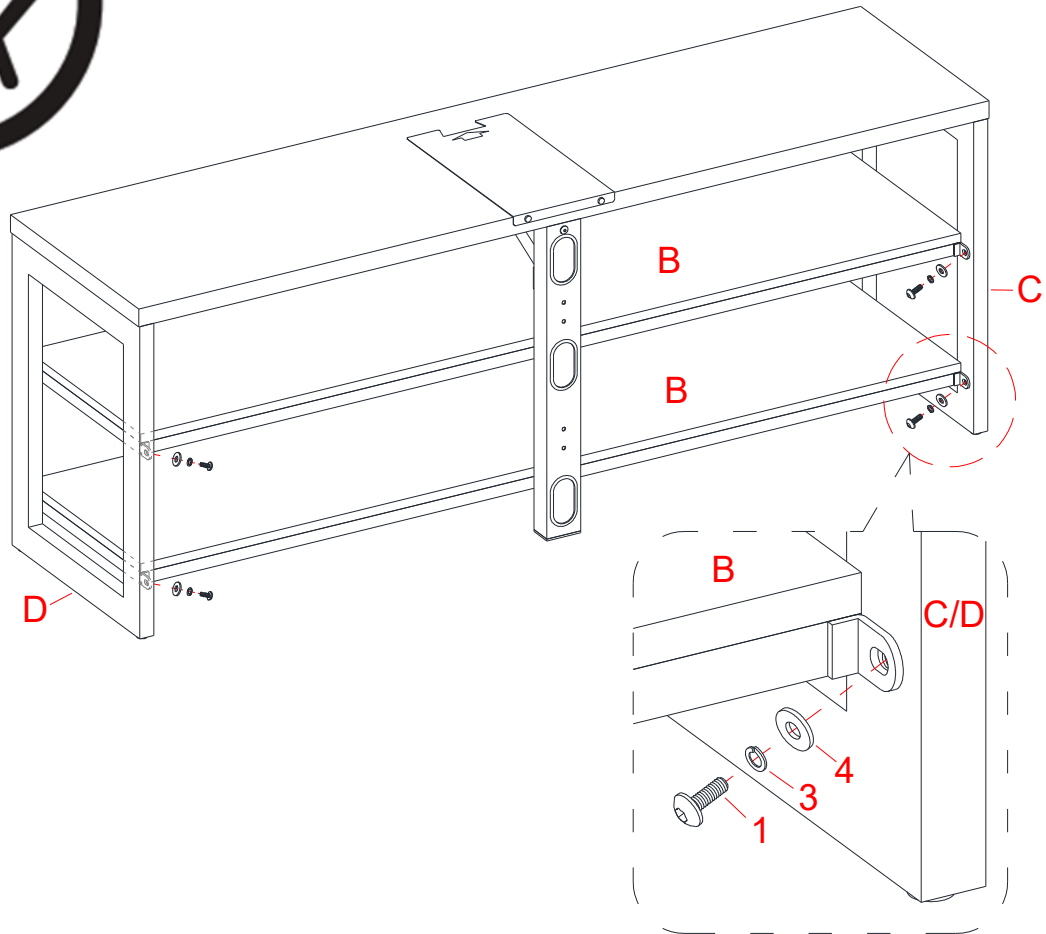
5. Sujetar las repisas (B) al soporte central (E) con 2 pernos de 1" (2), 2 arandelas de presión (3) y 2 arandelas planas (4) por repisa.

Instructivo de ensamble



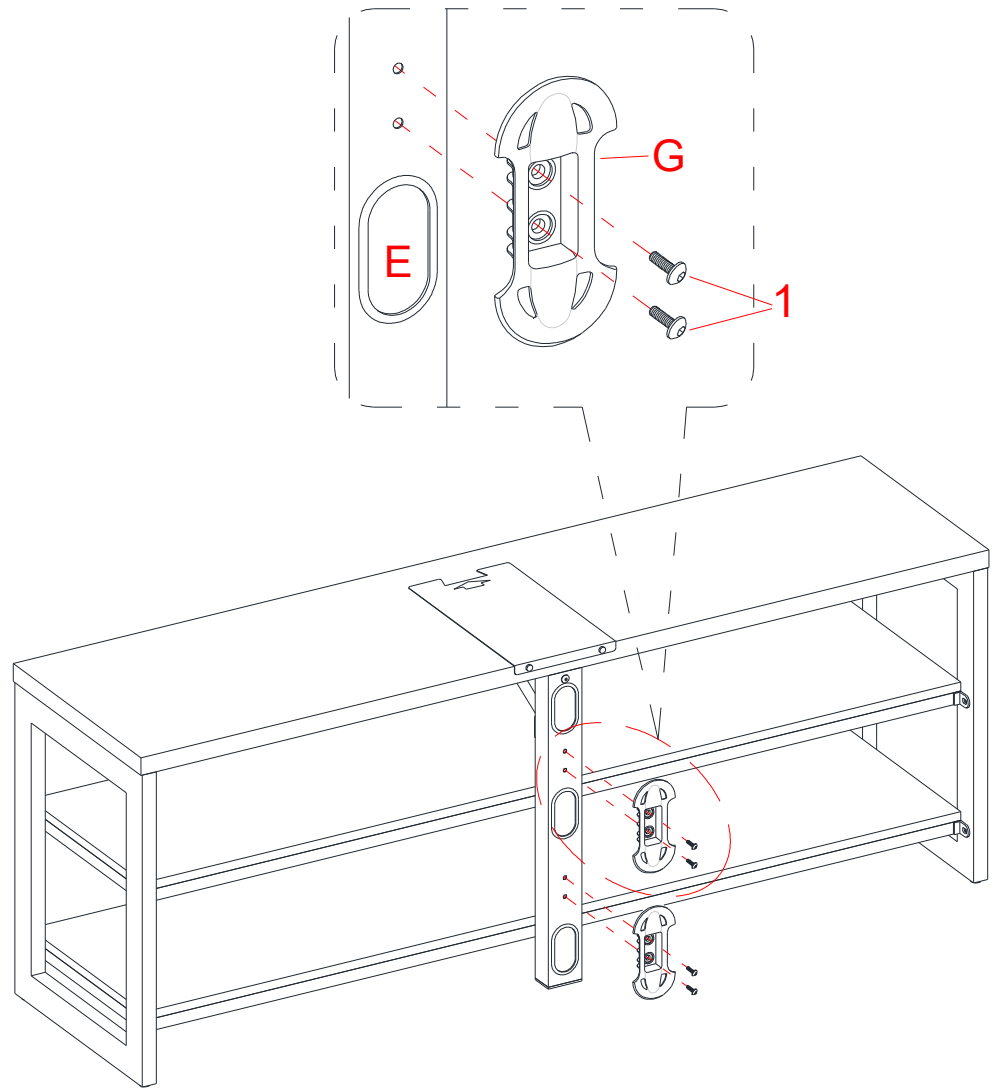
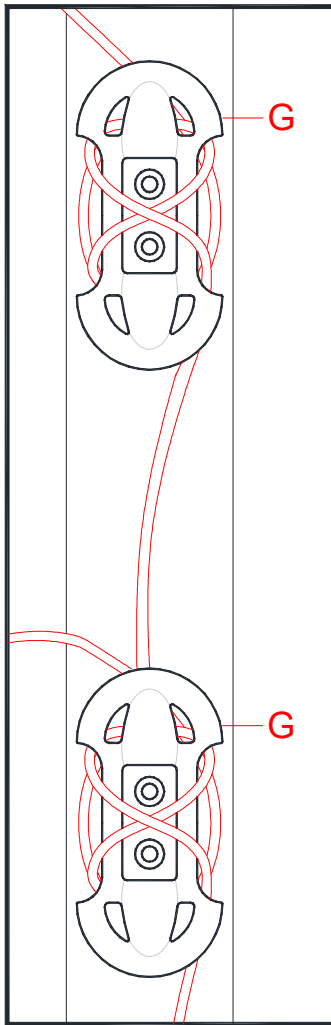
6. Alinear y adjuntar la pata izquierda (C) al ensamble previo insertando 4 pernos de 1" (2) con las arandelas de presión (3) y arandelas planas (4) a través de los rieles laterales de los marcos de metal y atornillar en su lugar.
7. Repetir el mismo procedimiento para adjuntar la pata derecho (D) al lado opuesto.

Instructivo de ensamble

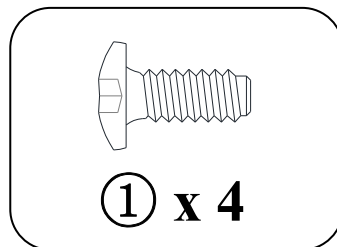


8. Pedir asistencia para poner la unidad ensamblada en posición vertical.
9. Sujetar las repisas (B) a las patas (C y D) con 4 pernos de 5/8" (1), 4 arandelas de presión (3) y 4 arandelas planas (4).

Instructivo de ensamble

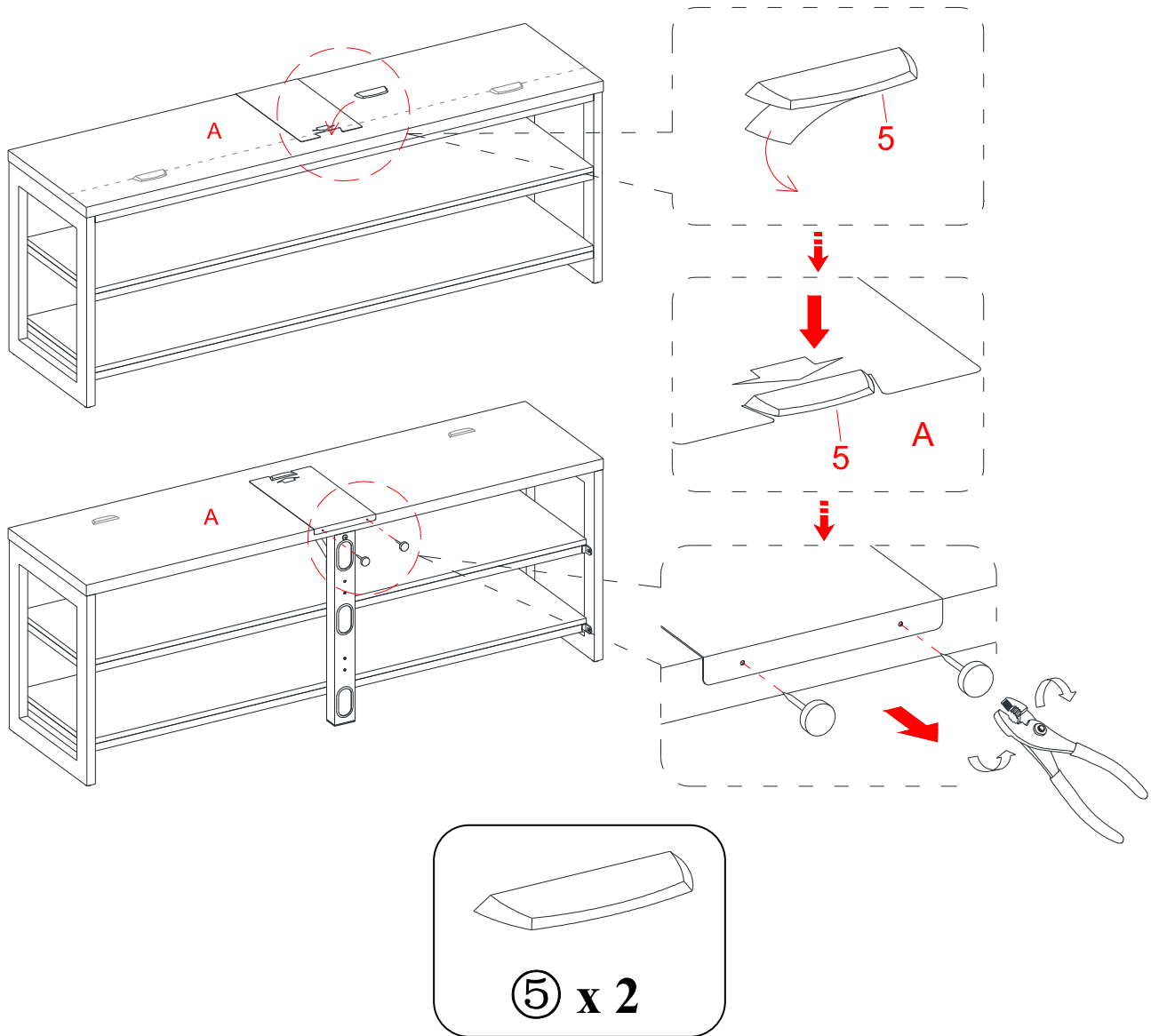


Vista posterior



10. Adjuntar 2 guías para cables (G) a la parte posterior del soporte central (E) con los pernos de 5/8" (1).
NOTA: Usted puede usar los guías para cables para mantener los cables de su centro de entretenimiento organizados.

Instructivo de ensamble



NOTE: To prevent your TV from tipping, you must follow these instructions if you place a TV on top of your console. Otherwise, remove the stopper template directly.

11. Adjuntar el tope (5) al panel superior (A).

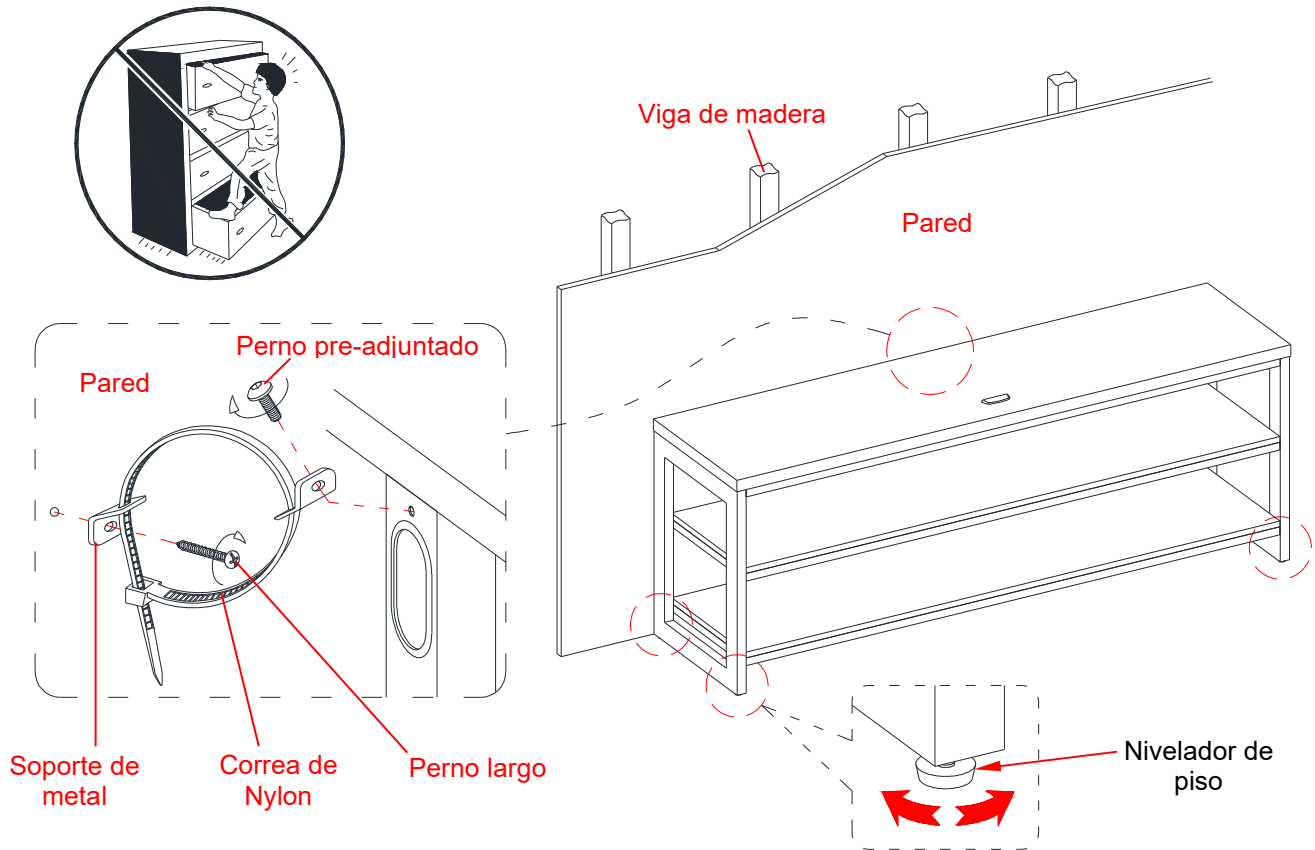
a. Si su TV tiene una base:

- 1) Retirar el respaldo de papel del tope (5), luego poner en el recorte del templete del tope en el panel superior (A). Presionar el tope (5) para ayudar a la adhesión.
- 2) En la parte posterior del panel superior (A), jalar con cuidado las tachuelas para retirar el templete del tope.

b. Si su TV tiene dos bases:

- 1) En la parte posterior del panel superior (A), jalar con cuidado las tachuelas para retirar el templete del tope.
- 2) Alinear el temple en la posición donde una de las bases de su TV estará.
- 3) Retirar el respaldo de papel del tope (5), luego poner en el recorte del templete del tope en el panel superior (A). Presionar el tope (5) para ayudar a la adhesión.
- 4) Repetir este proceso para adjuntar el segundo tope (5).

Instructivo de ensamble



Herramientas requeridas (no incluidas): Desarmador Estrella, buscador de vigas, cinta métrica, lápiz, taladro, y broca de 1/8 de pulgada.

12. Pedir asistencia para poner la unidad ensamblada en el lugar deseado contra la pared. Si fuera necesario, ajustar los niveladores de piso instalados en la parte inferior de las patas (C y D) para corregir inclinación.
13. Siga las instrucciones imprimidas en la bolsa de plástico que contiene el juego de restricción de movimiento para adjuntar los toques de movimientos a la unidad y pared.

NOTA: El juego de restricción incluido es para paredes con vigas de madera. Se debe adjuntar a una viga de madera. Dependiendo de la construcción de pared, diferentes anclas podrán ser requeridas. Por favor contacte su tienda local de ferretería para asistencia. Niños pequeños pueden resultar lastimados por muebles inclinados. Debe instalar el juego de restricción de movimiento con la unidad en función, para prevenir la inclinación de la unidad, causando cualquier accidente o daño. El tope de movimiento es solo un impedimento, no hay sustituto para la supervisión adulta. El tope de movimiento no es contra terremoto. Si deseara añadir la seguridad extra contra terremotos, deben ser comprados e instalados separadamente.

! ADVERTENCIA

- La unidad debe ser puesta en una superficie nivelado con el material de ferretería incluido (cuando aplica).
- No sentarse o pararse o permitir que niños se trepan, sienten o paren en el producto ensamblado.
- Por razones de seguridad, esta unidad debe estar montada a la pared.
- No usar sin instalar los toques de movimiento.
- La unidad se puede caer causando lesiones graves o la muerte.
- No exceder los límites de peso recomendados.
- Distribuir el peso de forma igual en cada nivel y siempre mantener los pesos mayores en la parte inferior.
- Antes de cortar, taladrar o martillar en cualquier pared o piso, verificar la posición de las líneas de electricidad, de drenaje, y de gas. Cortar puede causar lesiones graves.

Mantenimiento y Cuidados

- Use una toalla suave y limpia para evitar daños y rayaduras.
- Uso de cera para pulir muebles no es necesario. Si desea usar cera, pruébela en un área que no sea visible para revisar su funcionamiento.
- Usar solventes de cualquier tipo puede dañar el acabado del mueble.
- Nunca use agua para limpiar la unidad, ya que le puede dañar el acabado.
- Siempre utilice protección para vasos cuando los ponga sobre la unidad.
- Líquidos derramados deben limpiarse inmediatamente, con una toalla suave evitando tallar.
- Siempre utilizar protectores en caso de poner cosas calientes. El calor puede provocar una reacción química en el acabado y dañarlo.
- Marcas o manchas de crayones o plumas serán difíciles de retirar.
- En caso que su unidad sea manchada durante el uso le recomendamos hablar a un profesional para que le ayude.
- Revisar los pernos periódicamente y apretar en caso necesario.

ADVERTENCIA

Por favor use sus muebles de forma correcta y seguramente. El uso inapropiado puede causar riesgos a la seguridad, o daños a sus muebles u objetos de hogar. Leer cuidadosamente la siguiente información de seguridad.

Esta unidad no debe utilizarse con TVs CRT. La carga máxima de la superficie superior es 80 lbs. (36.3 kg) y puede aguantar una TV de pantalla plana de 70in. (177.8 cm) diagonal. La carga máxima de la repisa es 50 lbs. (22.7 kg). El uso con TVs de mayor peso puede resultar en inestabilidad causando que la unidad caiga, causando en algunos casos daños o muerte.

La muerte o lesiones serias pueden ocurrir cuando los niños se trepan al equipo de audio y/o video del mueble. Un control remoto o juguetes puestos sobre el mueble pueden animar a un niño a treparse al mueble y causar que el mueble se caiga sobre el niño.

NUNCA permita que niños se trepen o jueguen con la TV o equipo de soporte para TV.

NUNCA poner juguetes, comida, controles, etc. sobre la TV o el mueble.

SIEMPRE use el equipo de seguridad como se indica u otro equipo de anclaje para pared.

La reubicación del equipo de audio y/o video a un mueble no diseñado para apoyar equipos de audio y/o video puede resultar en la muerte o lesiones serias debido al colapso del mueble o a que se caiga sobre un niño.

NUNCA poner la TV sobre muebles que no soportan una TV.

NUNCA exceder el tamaño o peso máximo de la TV mostrada en las instrucciones.

Asegúrese de consultar la etiqueta de aviso de la TV mostrada en las instrucciones.

Sobrecargar los cajones y repisas puede resultar en muebles que se rompen o hunden, o se in volqueen resultando en lesiones.

NUNCA exceder los límites de peso mostrados en las instrucciones.

Poner los objetos más pesados en las repisas bajas tan lejos del frente como sea posible.

Cargar las superficies inferiores primero para evitar muebles pesados de arriba.

Mover muebles que no están diseñados para ser movidos o equipados con ruedas puede resultar en lesiones o daños al mueble o a objetos personales.

SIEMPRE descargar repisas o cajones, empezando con las superficies superiores, antes de mover.

NUNCA empujar o jalar el mueble sobre alfombras. Pedir ayuda para levantar el mueble para mover y/o reposicionar.

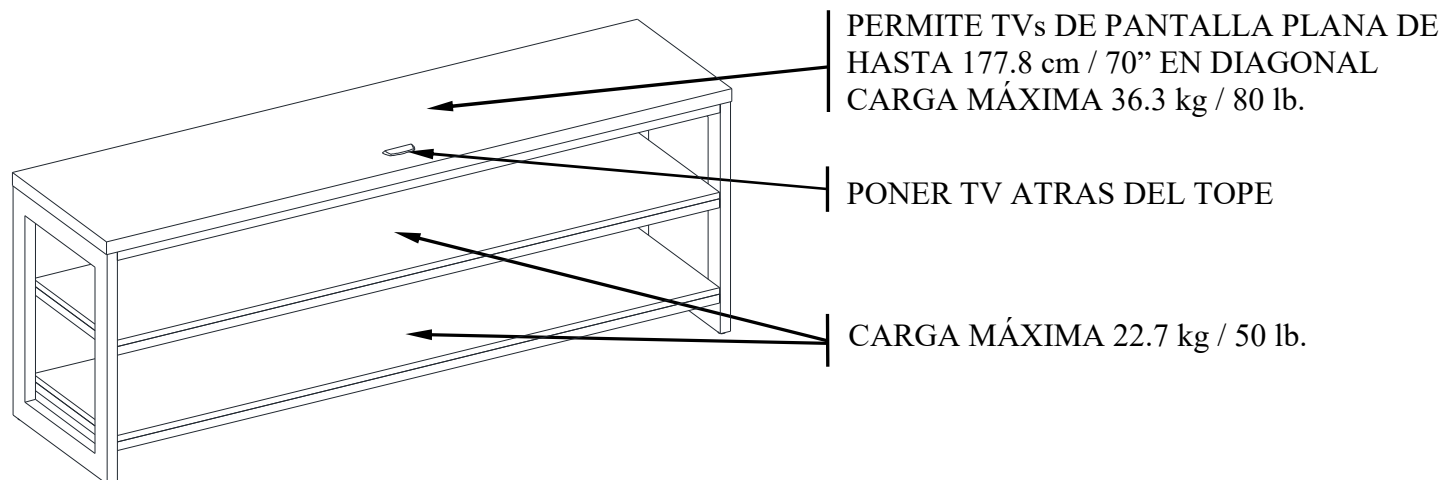
La consola no está hecha para ser un asiento y nadie debería estar sentado o parado sobre la consola.

MÁXIMO PESO RECOMENDADO

FABRICANTE: Whalen Furniture Manufacturing

CATALOGO: Consola para TV de 60"

MODELO # BBAVC60-3



ADVERTENCIA

ESTA UNIDAD NO DEBE UTILIZARSE CON TV'S CRT O DE TUBO. UTILIZARSE ÚNICAMENTE CON TELEVISIONES DE PANTALLA PLANA Y EQUIPO DE AUDIO/VIDEO QUE TENGA LA MEDIDA/PESO RECOMENDADOS. NUNCA UTILIZAR CON TV'S MAS GRANDES/PESADAS DE LAS RECOMENDADAS PARA EVITAR INESTABILIDAD. PARA EVITAR INESTABILIDAD COLOQUE EN EL CENTRO DE LA UNIDAD; LA BASE DE LA TELEVISIÓN DEBE DE REPOSAR SOBRE LA SUPERFICIE DE SOPORTE DE LA UNIDAD SIN REBASAR LAS ORILLAS. TV'S PANTALLA PLANA IMPROPIAMENTE COLOCADAS, O TV'S PANTALLA PLANA INCLUYENDO EQUIPO QUE SOBREPASA LAS MEDIDAS Y PESOS RECOMENDADOS PUEDE CAERSE Y/O ROMPER LA UNIDAD, CAUSANDO POSIBLES DAÑOS O LESIONES. USAR CON TV'S DE 80 LBS (36.3 KG) O MENOS. EL USO CON TV'S MAS PESADAS PUEDE RESULTAR EN INESTABILIDAD CAUSANDO LA CAIDA DEL MUEBLE RESULTANDO EN LA MUERTE O HERIDAS GRAVES.

GARANTÍA DE CALIDAD

Nosotros estamos seguros que usted se encontrará feliz con la compra de este producto de Whalen Furniture. Si este producto tiene algún defecto de ensamble o material, o si tiene alguna falla en uso normal, nosotros lo repararemos o lo reemplazaremos hasta por un año a partir de la fecha de compra. Todo producto de Whalen Furniture es diseñado para alcanzar sus expectativas más altas. Nosotros le garantizamos que inmediatamente podrá ver el valor de nuestra mercancía de la más alta calidad.

Esta garantía le proporciona derechos legales específicos y tal vez tenga otros derechos que varían de estado a estado.

Whalen Furniture Manufacturing
1578 Air Wing Road, San Diego, CA 92154, USA
Servicio al cliente: 1-866-942-5362
Hora estándar del Pacífico: 8:30 a.m. - 4:30 p.m., de Lunes a Viernes
www.whalenfurniture.com