

Canton Executive Writing Desk

Stock # BHS036158813001

Espresso

BHS036158813002

Natural



ADULT ASSEMBLY REQUIRED

If you have any questions regarding assembly or if parts are missing, DO NOT return this item to the store where it was purchased. Please call our customer service number and have your instructions and parts list ready to provide the model name, part name or factory number:

866-942-5362

Pacific Standard Time: 8:30 a.m. - 4:30 p.m., Monday - Friday

Or visit our web site 24 hours a day, 7 days a week for product assistance at

www.whalenstyle.com

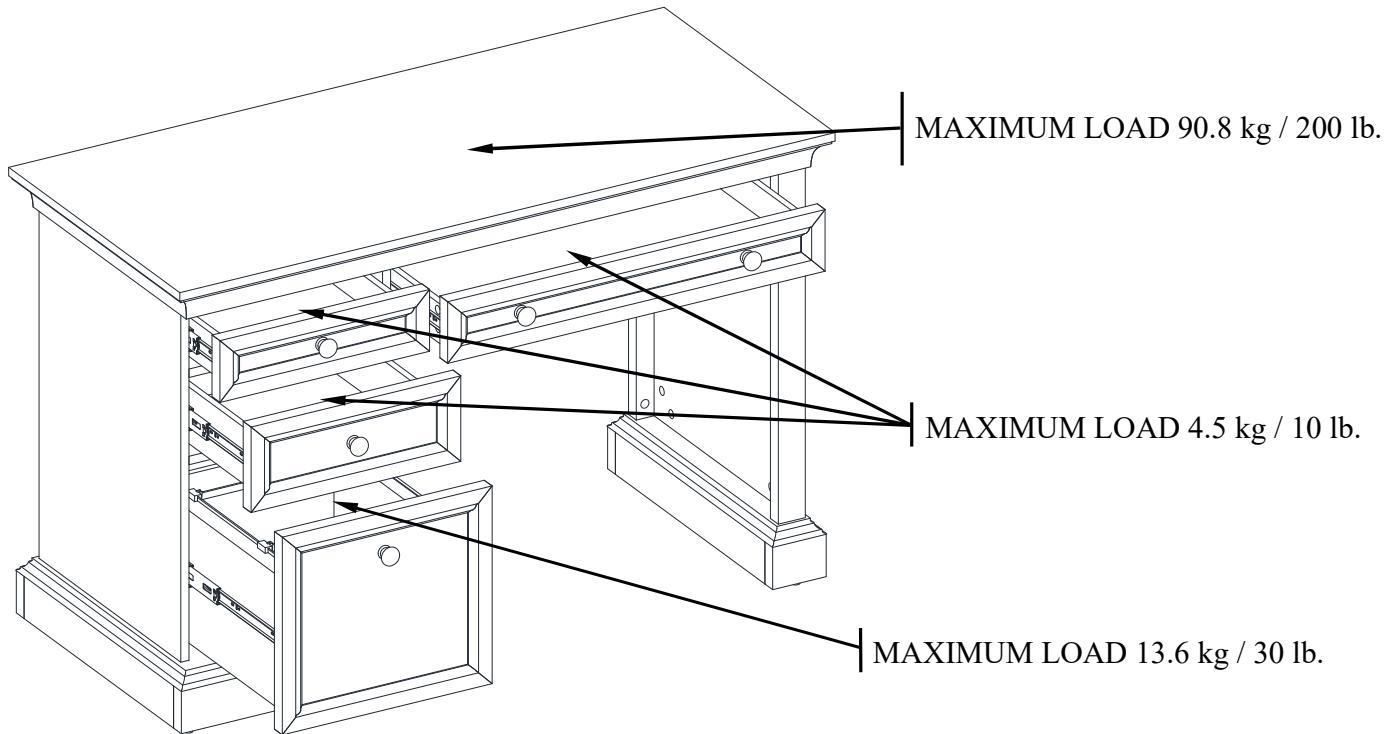
Or e-mail your request to **parts@whalenfurniture.com**

**THIS INSTRUCTION BOOKLET CONTAINS IMPORTANT SAFETY INFORMATION.
PLEASE READ AND KEEP FOR FUTURE REFERENCE.**

Date 2020-04-15 Rev. 0001-A

MAXIMUM RECOMMENDED WEIGHT LOADS

MANUFACTURER: Whalen Furniture Manufacturing
CATALOG : Canton Executive Writing Desk
MODEL # BHS036158813001 / BHS036158813002



⚠ WARNING

THIS UNIT IS INTENDED ONLY FOR USE WITHIN THE MAXIMUM WEIGHTS INDICATED. USE WITH LOAD HEAVIER THAN THE MAXIMUM WEIGHTS INDICATED MAY RESULT IN INSTABILITY, CAUSING POSSIBLE INJURY.

SPECIAL NOTE

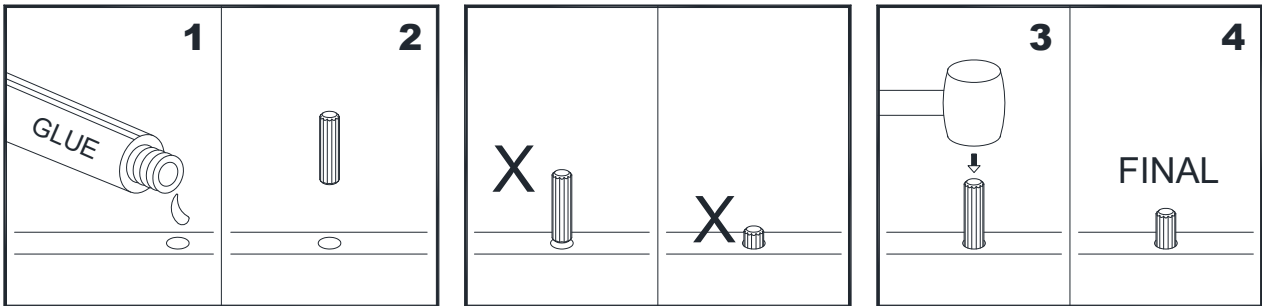
Please read the instruction sheets completely before assembly. Examine all packaging material before discarding carton. Remove any remaining staples from the carton before discarding. Remove all parts from carton and separate into groups as indicated on part list. Please ensure all parts are included prior to assembly. Use of power tools to complete assembly is not recommended.

IMPORTANT

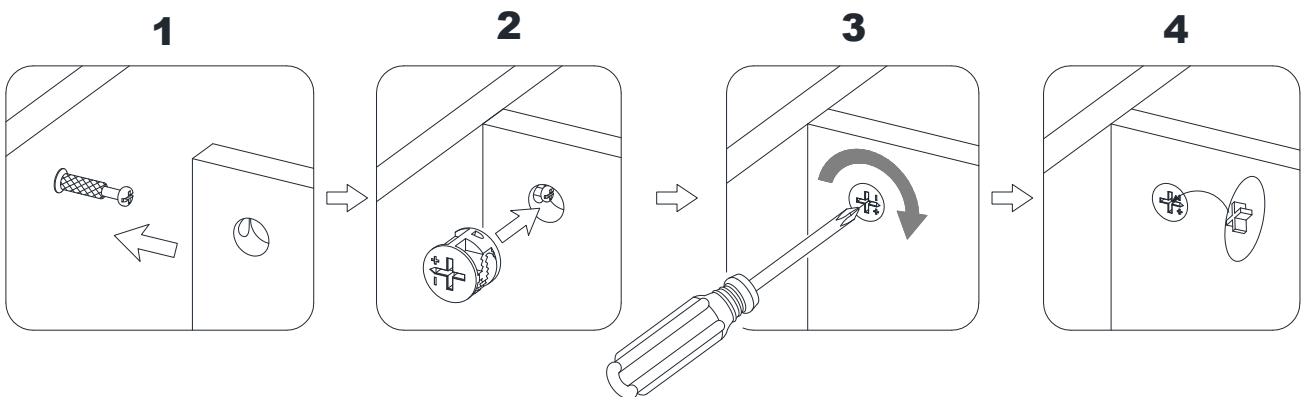
Before you begin: Open, identify and count all parts prior to assembly. Lay out parts on a flat and non-abrasive surface. You will need the parts identified on page 4, 5 and 6 of this instruction manuals.

NOTE: IT IS VERY IMPORTANT TO USE GLUE WITH DOWELS. EXCESS GLUE CAN BE WIPED OFF WITH DAMP CLOTH.

Insert the dowel at least half way by tapping lightly with a rubber mallet, IF NECESSARY.



CAM LOCK SYSTEM OPERATION



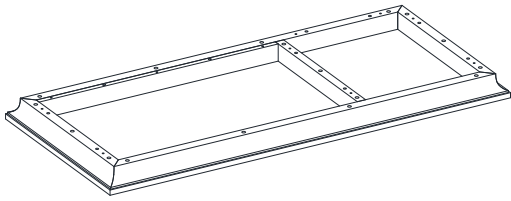
HOW THE KNOCK DOWN (KD) ASSEMBLY SYSTEM WORKS

1. Screw the Cam Bolt into the threaded inserts on the panel. Connect both panels together; making sure Cam Bolt goes into the pre-drilled hole on the end of panel for Cam Lock.
2. Insert the Cam Lock into the pre-drilled large hole on the panel. Make sure the arrow on the face of Cam Lock faces out and points towards Cam Bolt.
3. Take a Phillips screwdriver and rotate the Cam Lock clockwise to lock the Cam Bolt in place.
4. Plug the Cam Lock Cover into the cross slot of the Cam Lock to conceal the Cam.

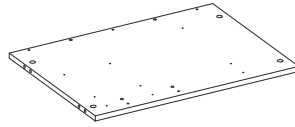
You are now ready to assemble the KD unit.

Parts and Hardware List

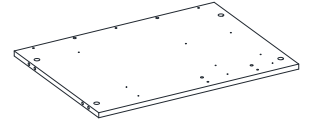
Please read completely through the instructions and verify that all listed parts and hardware are present before beginning assembly.



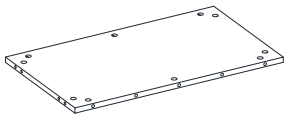
A- Top Panel (Qty. 1)



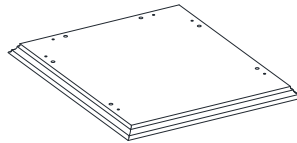
B- Left Side Panel (Qty. 1)



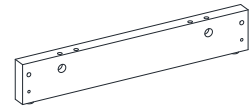
C- Partition Panel (Qty. 1)



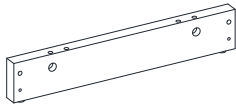
D- Left Back Panel (Qty. 1)



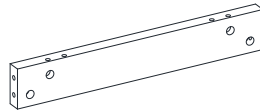
E- Left Bottom Panel (Qty. 1)



F- Bottom Front Support (Qty. 1)



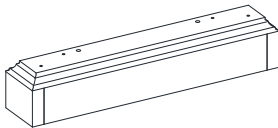
F1- Bottom Back Support (Qty. 1)



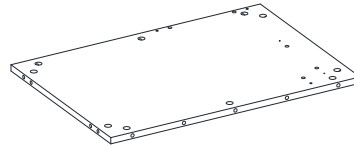
G- Bottom Side Support (Qty. 2)



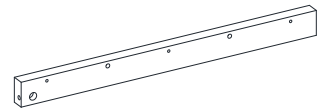
H- Short Crossbar (Qty. 2)



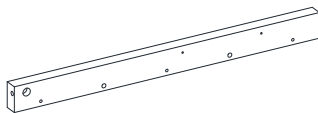
I- Right Side Base (Qty. 1)



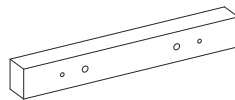
J- Right Side Panel (Qty. 1)



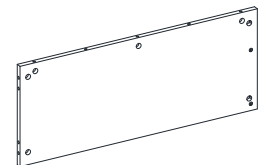
K- Front Molding (Qty. 1)



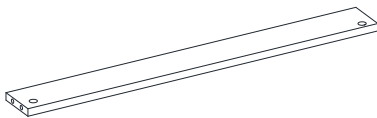
L- Back Molding (Qty. 1)



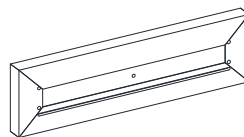
M- Slide Support (Qty. 1)



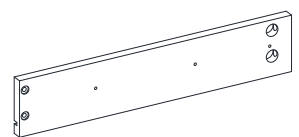
N- Modesty Panel (Qty. 1)



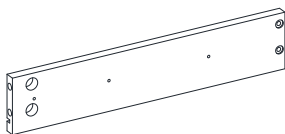
O- Long Crossbar
(Qty. 1)



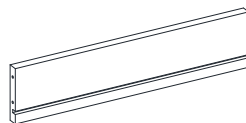
P- Left Upper Drawer Front
(Qty. 1)



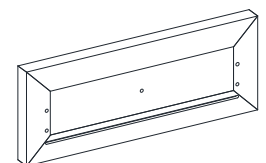
P1- Upper Drawer Left Side
(Qty. 2)



P2- Upper Drawer Right Side
(Qty. 2)



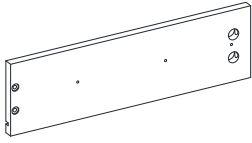
P3- Left Upper Drawer Back Panel
(Qty. 1)



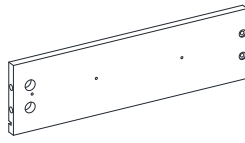
Q- Middle Drawer Front
(Qty. 1)

Parts and Hardware List

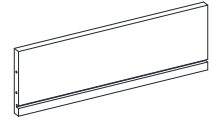
Please read completely through the instructions and verify that all listed parts and hardware are present before beginning assembly.



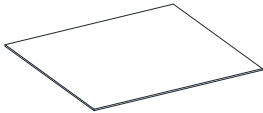
Q1- Middle Drawer Left Side
(Qty. 1)



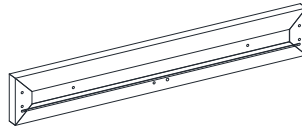
Q2- Middle Drawer Right Side
(Qty. 1)



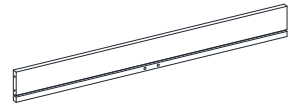
Q3- Middle Drawer Back Panel
(Qty. 1)



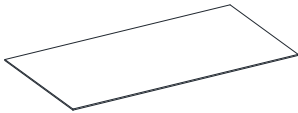
Q4- Left Drawer Bottom Panel
(Qty. 2)



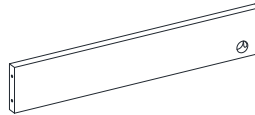
R- Right Upper Drawer Front
(Qty. 1)



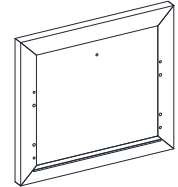
R1- Right Upper Drawer Back Panel
(Qty. 1)



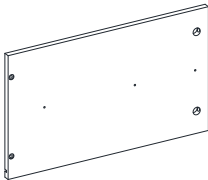
R2- Right Upper Drawer Bottom Panel
(Qty. 1)



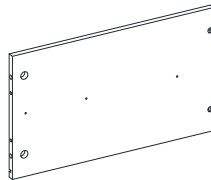
R3- Right Upper Drawer Bottom Support
(Qty. 1)



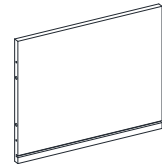
S- File Drawer Front
(Qty. 1)



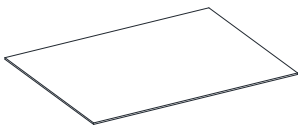
S1- File Drawer Left Side
(Qty. 1)



S2- File Drawer Right Side
(Qty. 1)



S3- File Drawer Back Panel
(Qty. 1)



S4- File Drawer Bottom Panel
(Qty. 1)



T- Guide Rail
(Qty. 2)



U- Guide Block
(Qty. 4)



V- File Plate
(Qty. 2)



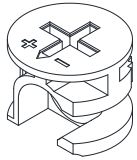
W- 16'' Ball Bearing Slide
(Qty. 2)



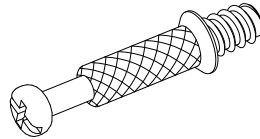
X- 12'' Ball Bearing Slide
(Qty. 6)

Parts and Hardware List

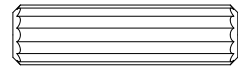
Please read completely through the instructions and verify that all listed parts and hardware are present before beginning assembly.



(1) Large Cam Lock
(Qty. 55+2 extra)



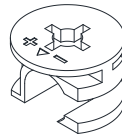
(2) Cam Bolt
(Qty. 72+2 extra)



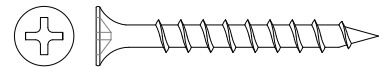
(3) M8 x 30 mm Large Wood Dowel
(Qty. 50+2 extra)



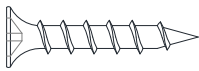
(4) M6 x 30 mm Small Wood Dowel
(Qty. 9+1 extra)



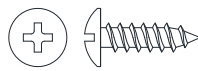
(5) Small Cam Lock
(Qty. 17+1 extra)



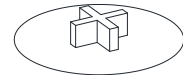
(6) M4 x 38 mm Screw
(Qty. 20+1 extra)



(7) M4 x 25 mm Screw
(Qty. 2+1 extra)



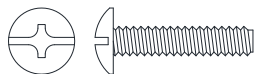
(8) M3.5 x 12 mm Screw
(Qty. 48+2 extra)



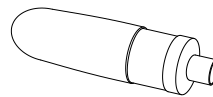
(9) Cam Lock Cover
(Qty. 10+1 extra)



(10) Knob
(Qty. 5)



(11) 19 mm Bolt
(Qty. 5+1 extra)



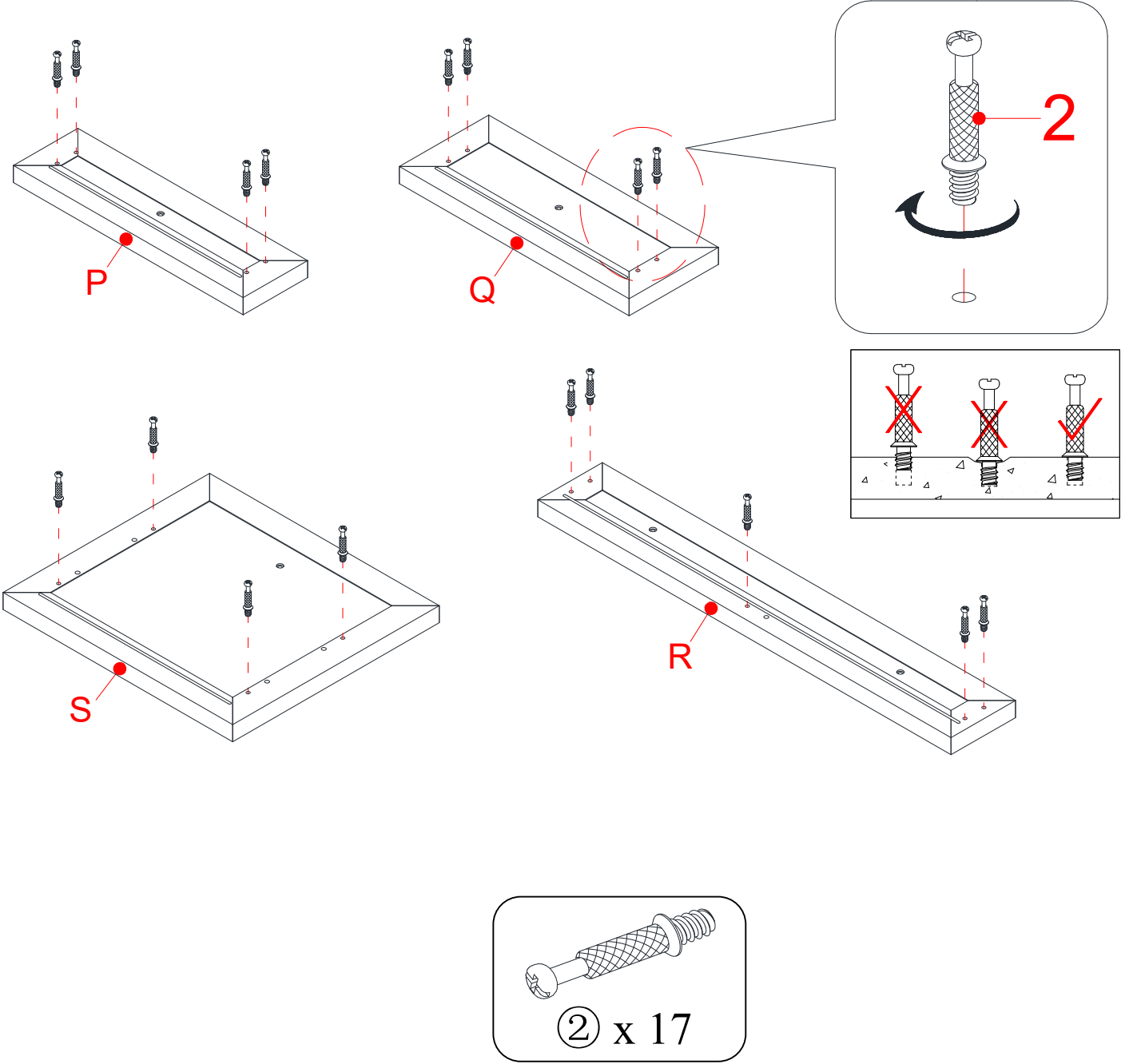
Glue
(Qty. 2)



Touch-up Pen (Qty. 1)
(Only Used for BHS0025004001)

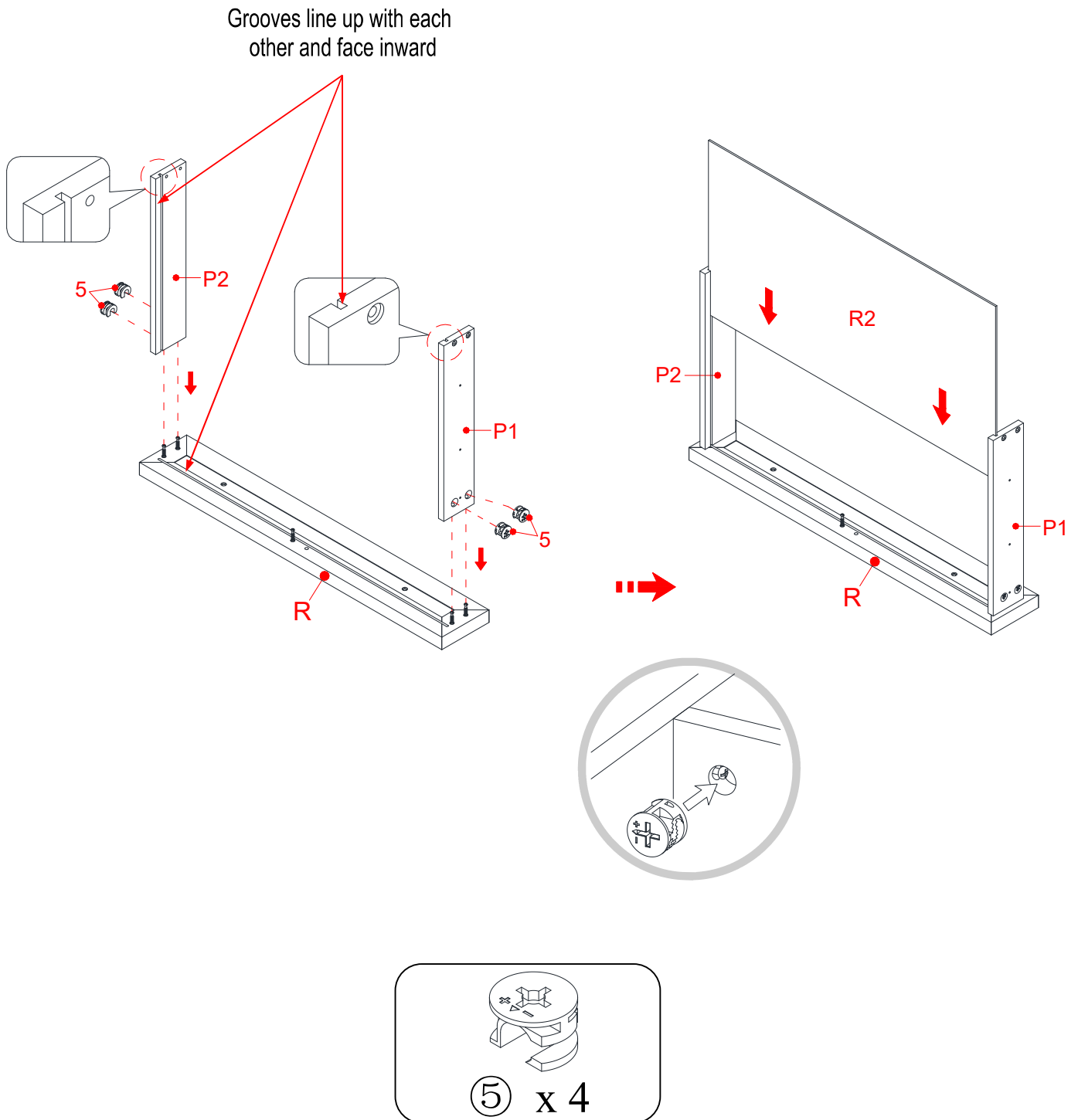
Tools required: Phillips screwdriver and rubber mallet (not provided).

Assembly Instructions



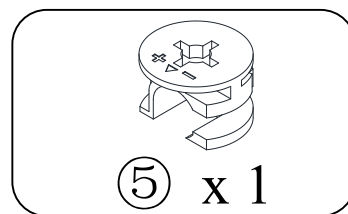
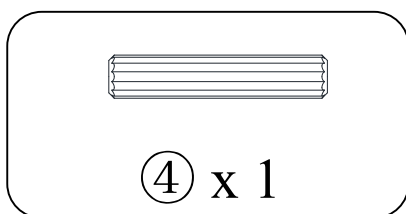
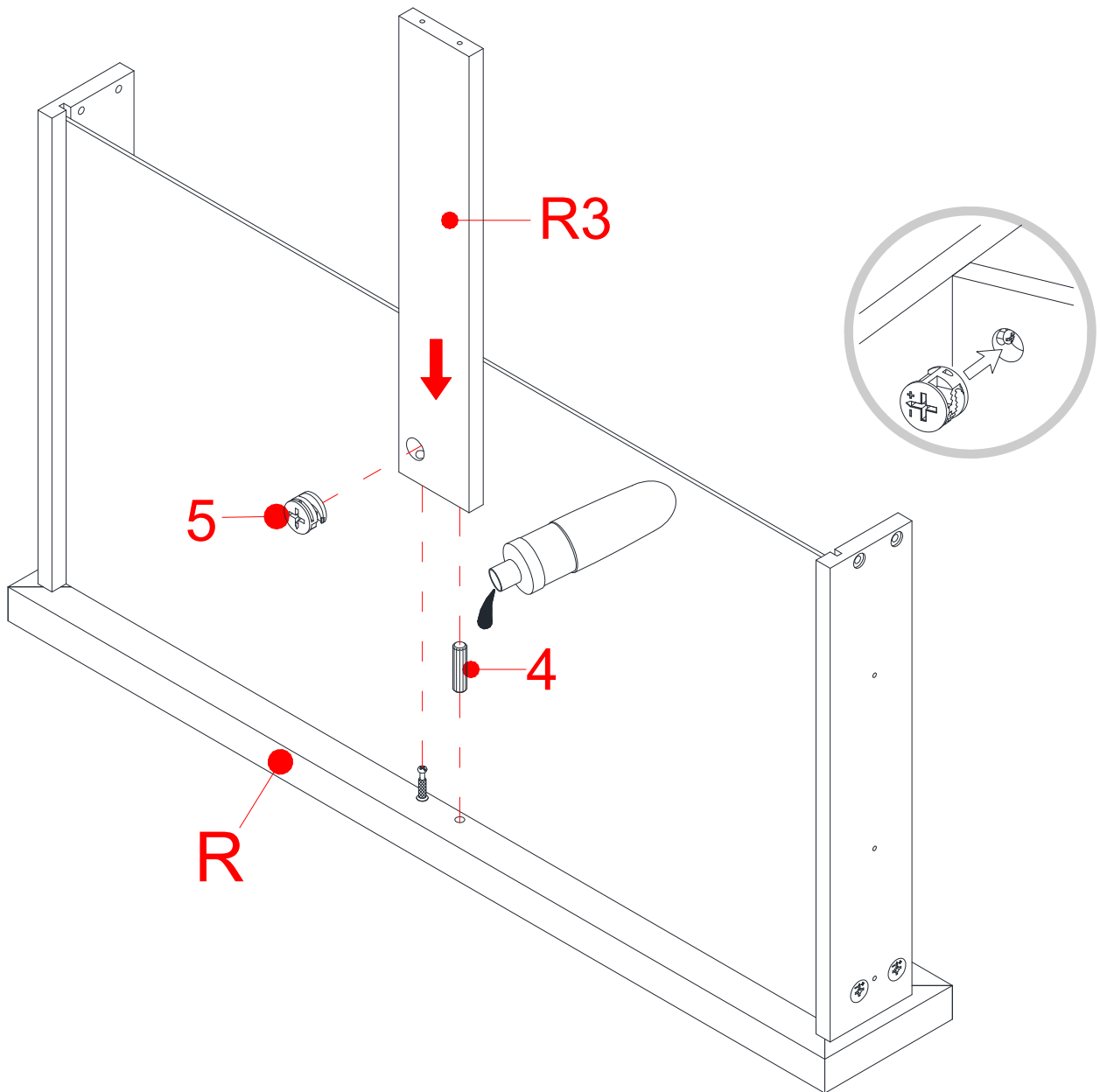
1. Unpack the unit and confirm that you have all the hardware and required parts listed. Assemble the unit on a carpeted floor or the empty carton to avoid any scratch.
2. Securely screw the Cam Bolts (2) into the designated small holes on the Drawer Fronts (P, Q, R and S) using a Phillips screwdriver.

Right Upper Drawer Assembling



3. Fasten the Upper Drawer Left and Right Side Panels (P1 and P2) to the Right Upper Drawer Front (R) by engaging four Small Cam Locks (5). (Refer to page 3 on Cam Lock system operation supplement).
4. Slide the Right Upper Drawer Bottom Panel (R2) into the grooves on the Upper Drawer Left and Right Side Panels (P1 and P2) until fully inserted into the Right Upper Drawer Front (R).

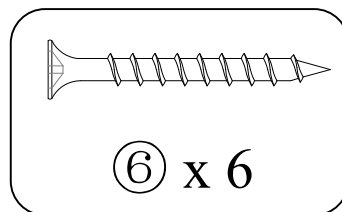
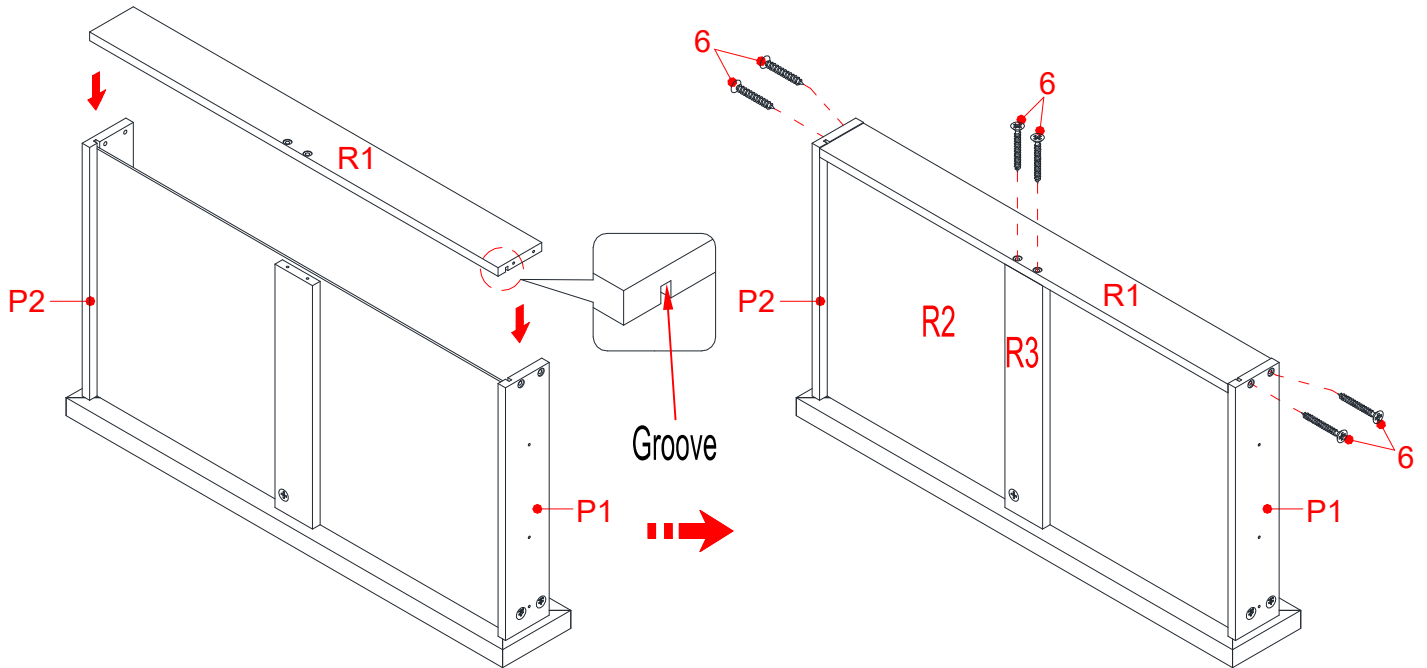
Right Upper Drawer Assembling



5. Fasten the Right Upper Drawer Bottom Support (R3) to the Right Upper Drawer Front (R) with one Small Cam Lock (5) and one 30 mm Small Wood Dowel (4). Make sure that you use a small amount of glue with both ends of all dowels.

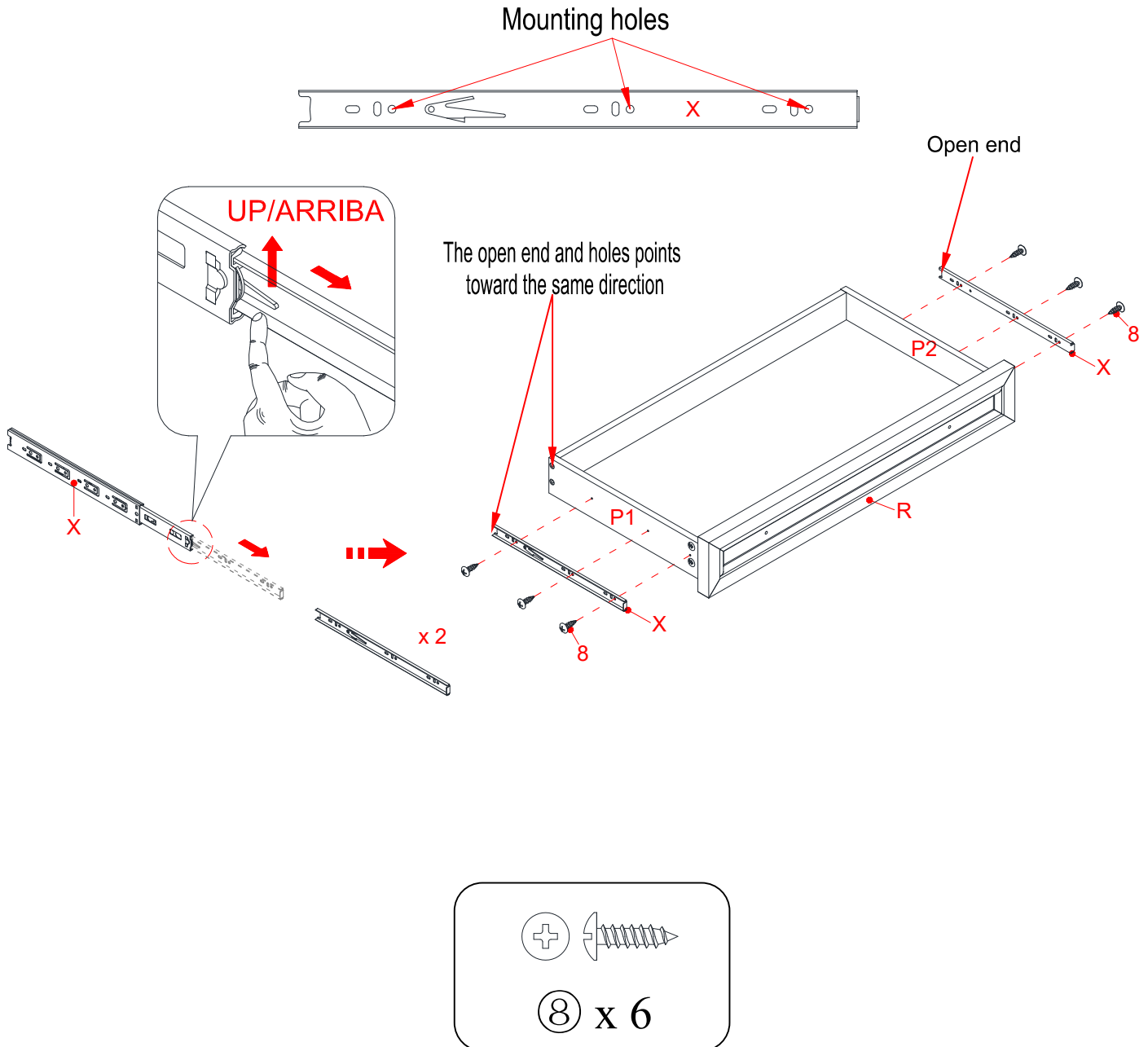
NOTE: It is very important to use a small amount of glue on both ends of dowels.

Right Upper Drawer Assembling



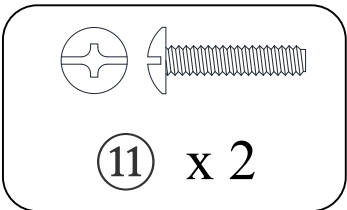
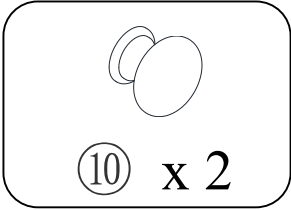
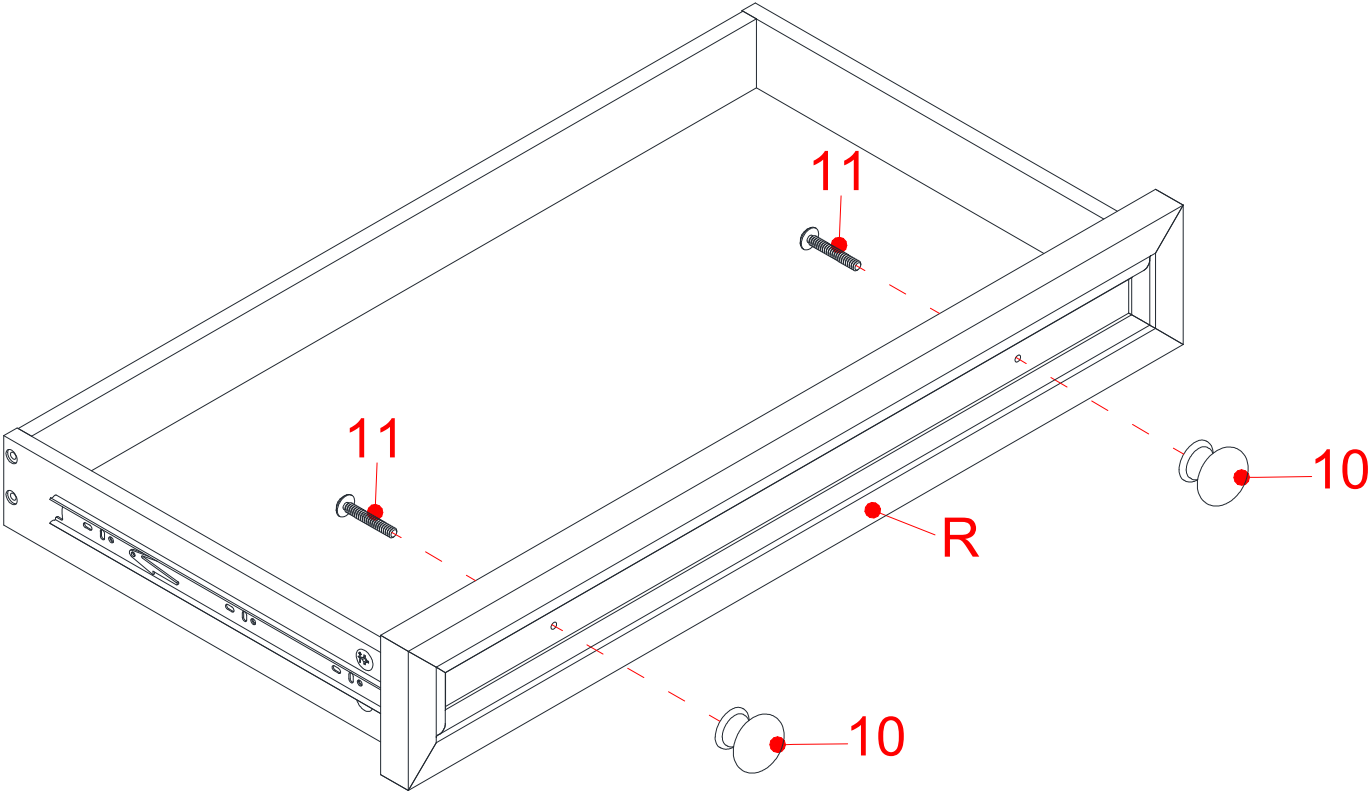
6. Fasten the Right Upper Drawer Back Panel (R1) to the Upper Drawer Left and Right Side Panels (P1 and P2) and Right Upper Drawer Bottom Support (R3) with six 38 mm Screws (6). Make sure that Right Upper Drawer Bottom Panel (R2) fits securely into the groove of the Right Upper Drawer Back Panel (R1). Tighten all the screws with a Phillips screwdriver.

Right Upper Drawer Assembling



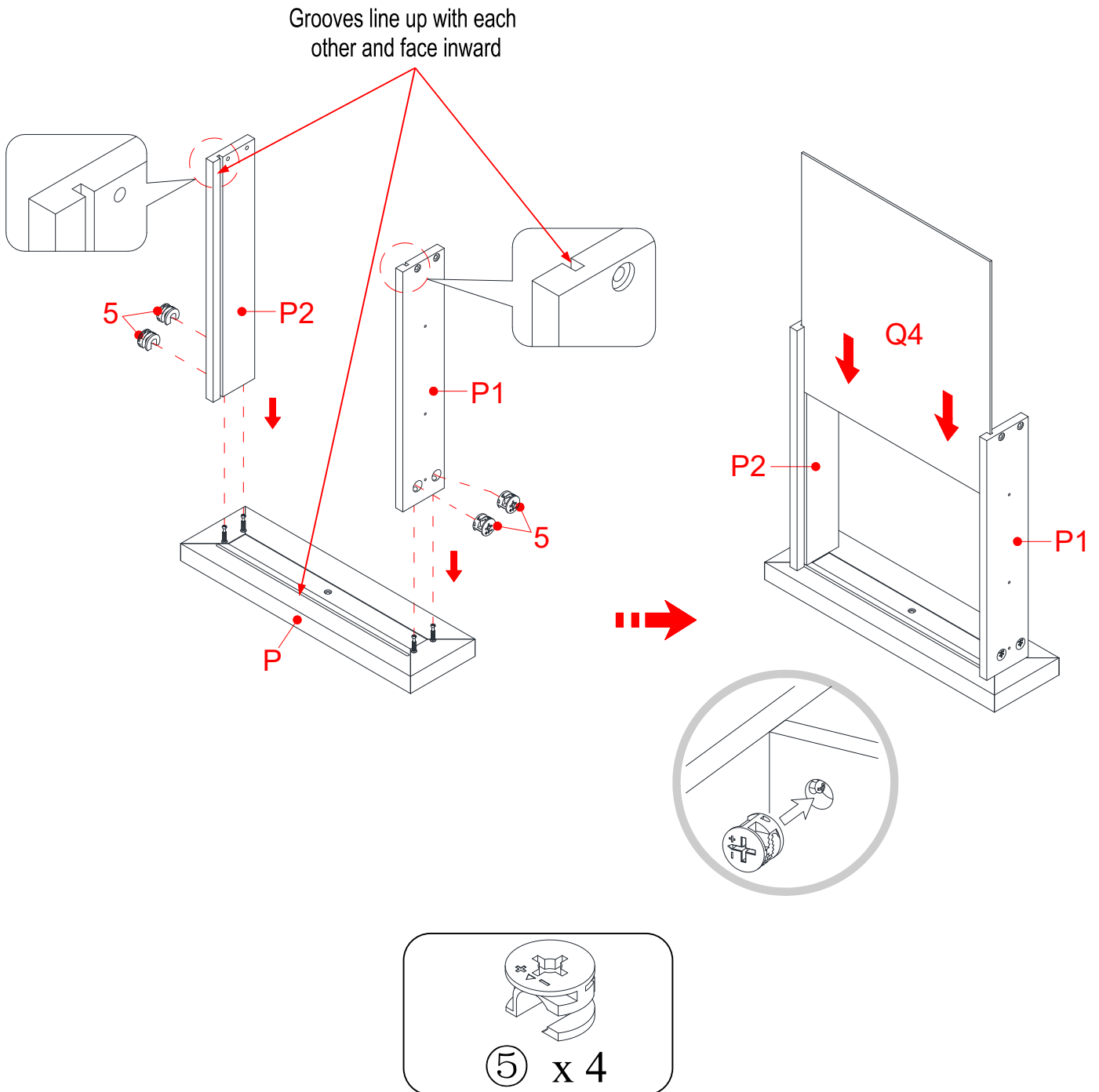
7. Turn the assembled drawer upright.
8. Pick up the 12" Ball Bearing Slides (X) and separate the slide runners for the following step. Extend the slide runner all the way forward. Press the plastic release lever of the ball bearing slides and pull the slide runner complete out.
9. Using the pilot holes as a guide, attach the separated slide runners to the Upper Drawer Left and Right Side Panels (P1 and P2) respectively with three 12 mm Screws (8) per slide runner.

Right Upper Drawer Assembling



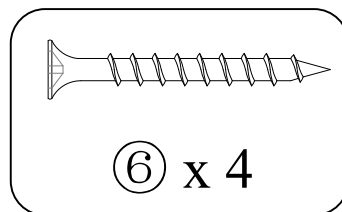
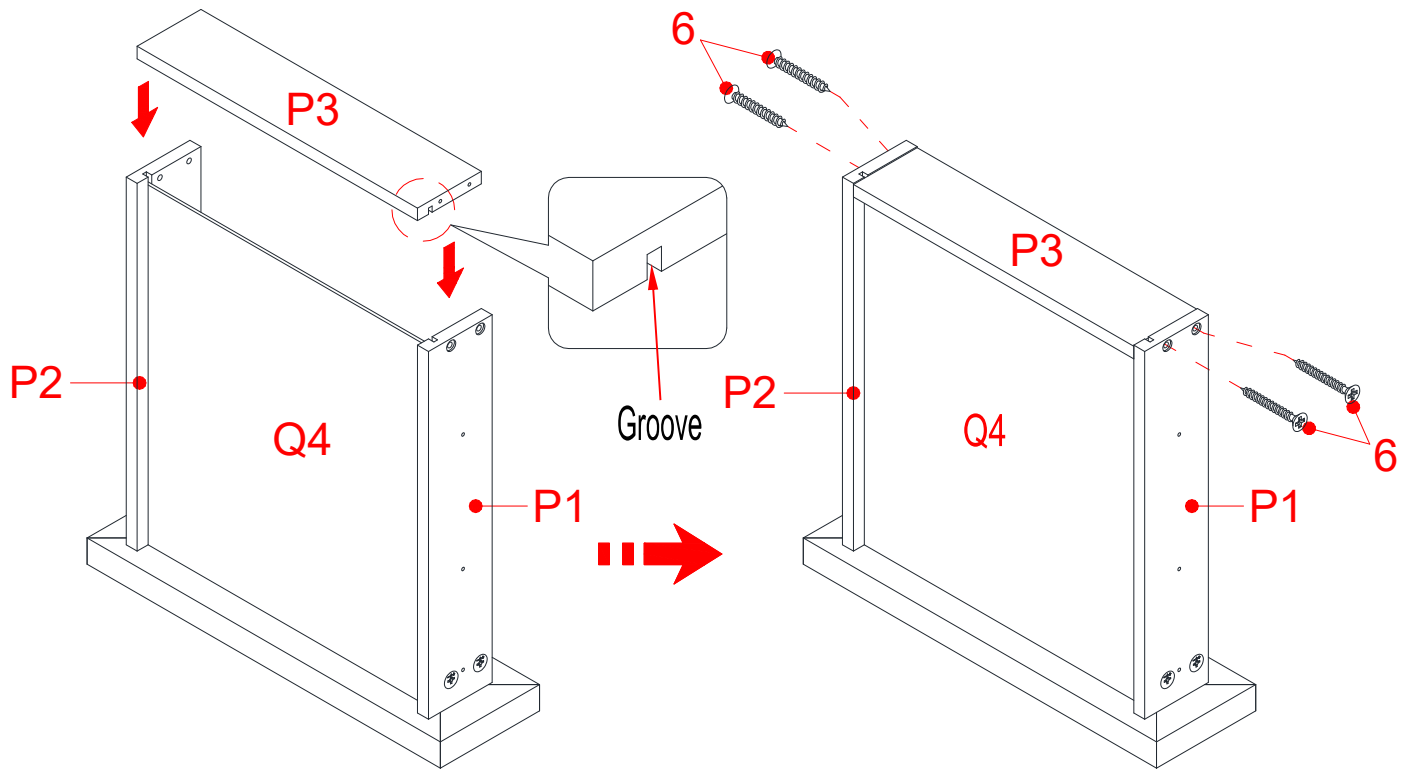
10. Attach two Knobs (10) to the outside of the Right Upper Drawer Front (R) with two 19 mm Bolts (11).

Left Upper Drawer Assembling



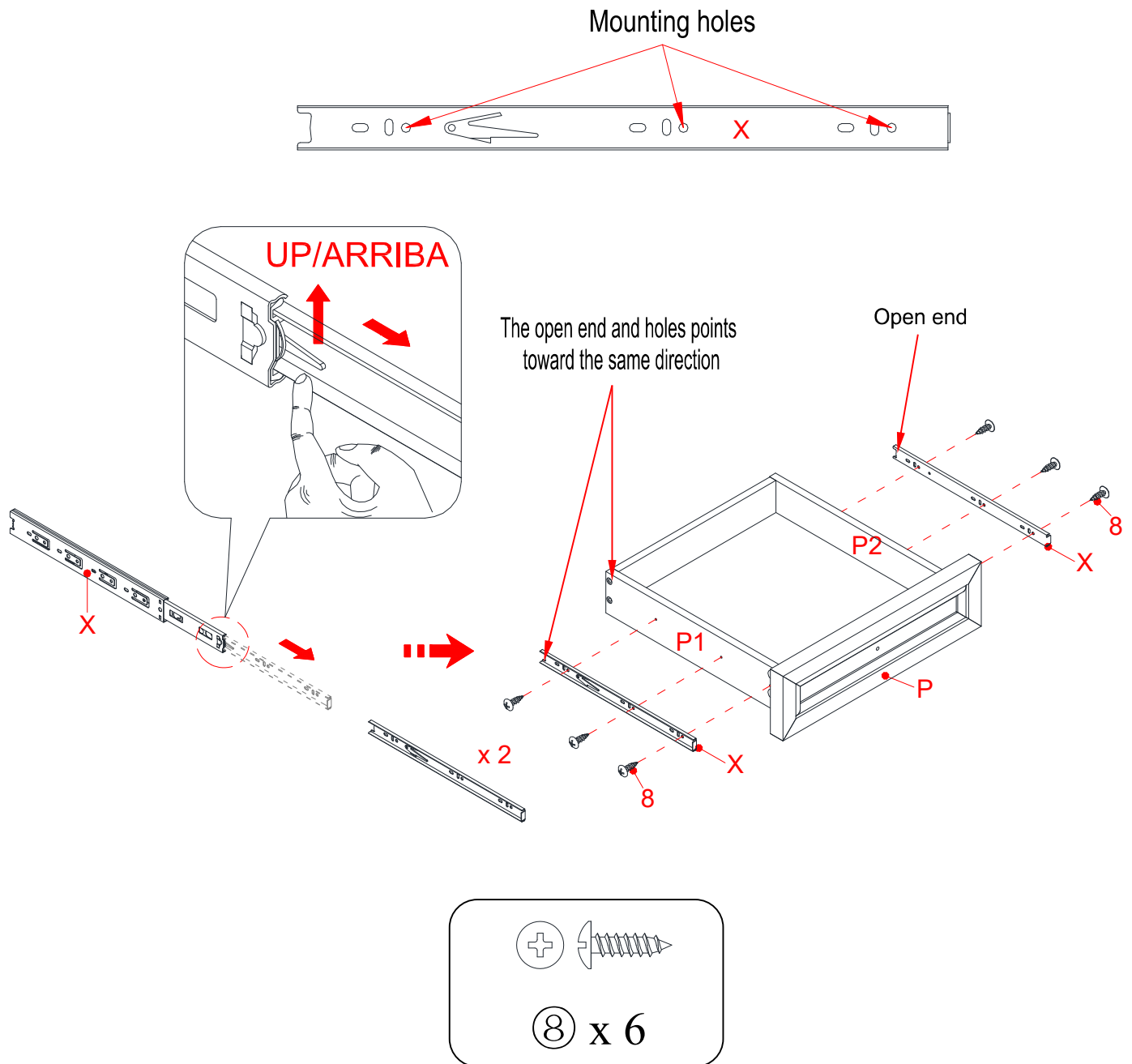
11. Fasten the Upper Drawer Left and Right Side Panels (P1 and P2) to the Left Upper Drawer Front (P) by engaging four Small Cam Locks (5).
12. Slide one Left Drawer Bottom Panel (Q4) into the grooves on the Upper Drawer Left and Right Side Panels (P1 and P2) until fully inserted into the Left Upper Drawer Front (P).

Left Upper Drawer Assembling



13. Fasten the Left Upper Drawer Back Panel (P3) between the Upper Drawer Left and Right Side Panels (P1 and P2) with four 38 mm Screws (6). Make sure that Left Drawer Bottom Panel (Q4) fits securely into the groove of the Left Upper Drawer Back Panel (P3). Tighten all the screws with a Phillips screwdriver.

Left Upper Drawer Assembling

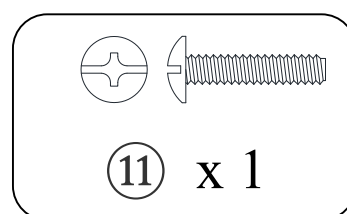
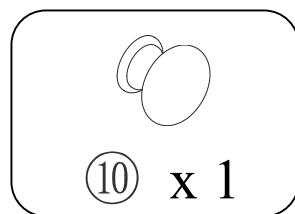
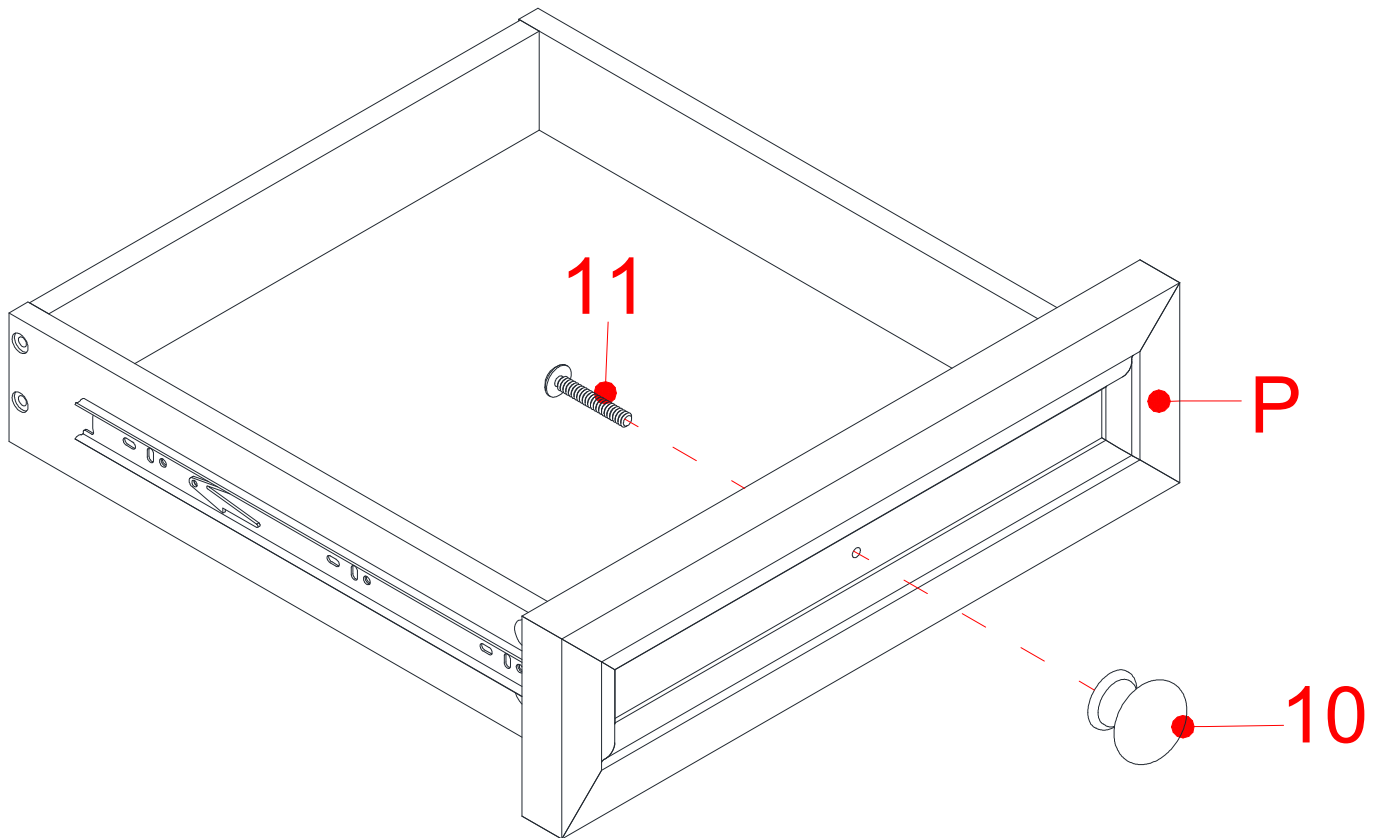


14. Turn the assembled drawer upright.

15. Pick up the 12" Ball Bearing Slides (X) and separate the slide runners for the following step. Extend the slide runner all the way forward. Press the plastic release lever of the ball bearing slides up and pull the slide runner complete out.

16. Using the pilot holes as a guide, attach the separated slide runners to the Upper Drawer Left and Right Side Panels (P1 and P2) respectively with three 12 mm Screws (8) per slide runner.

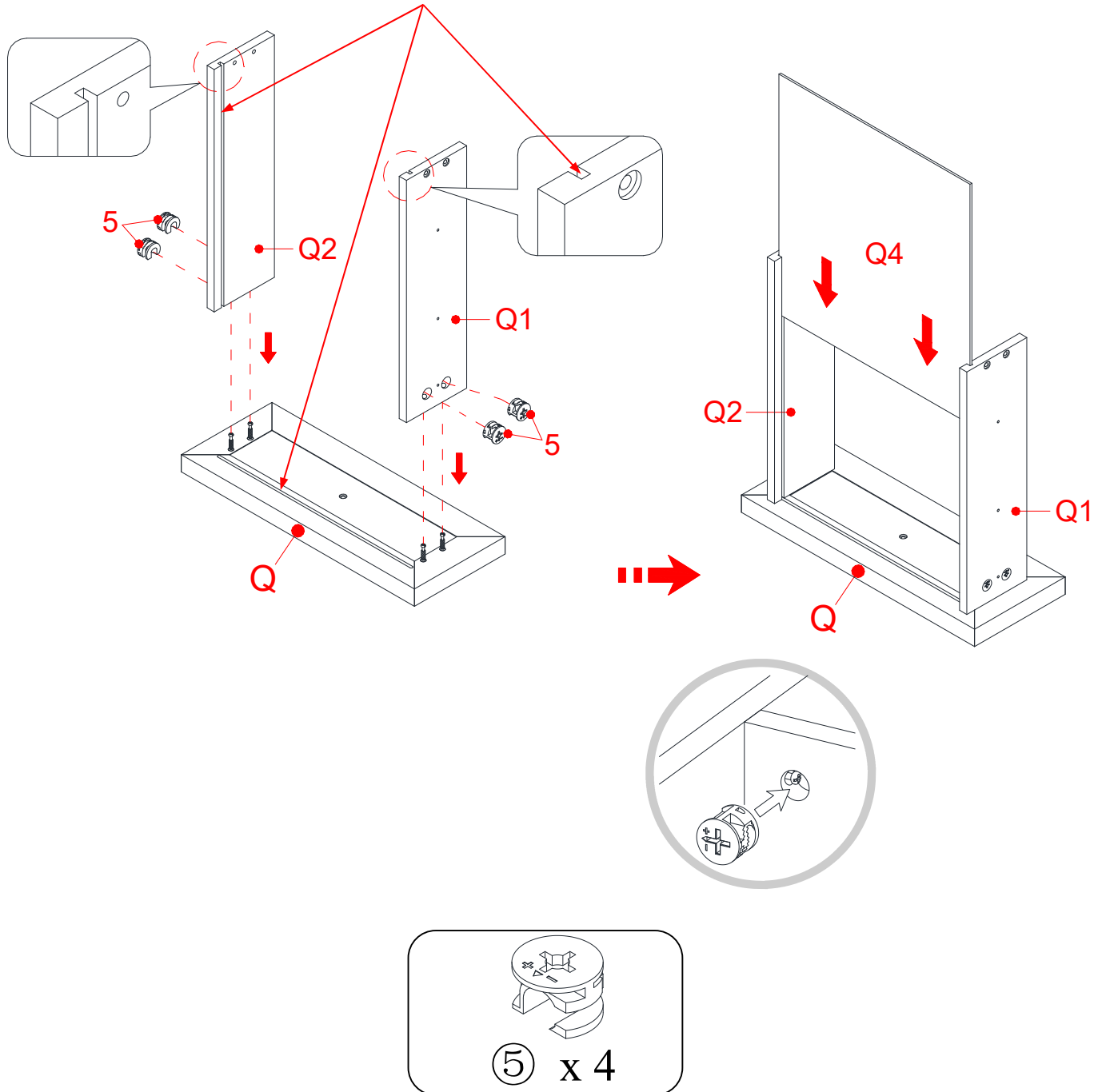
Left Upper Drawer Assembling



17. Attach one Knob (10) to the outside of the Left Upper Drawer Front (P) with one 19 mm Bolt (11).

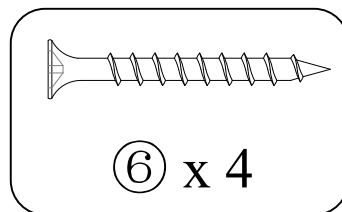
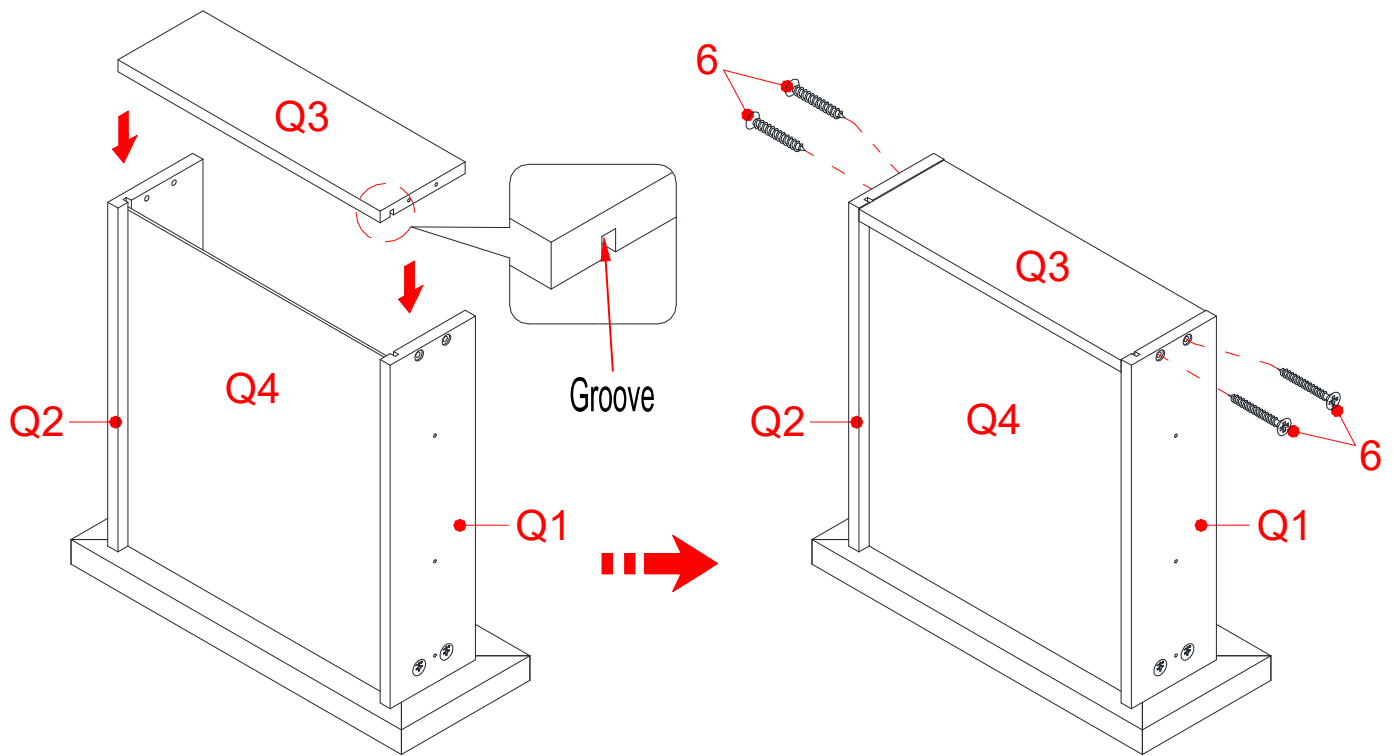
Middle Drawer Assembling

Grooves line up with each other and face inward



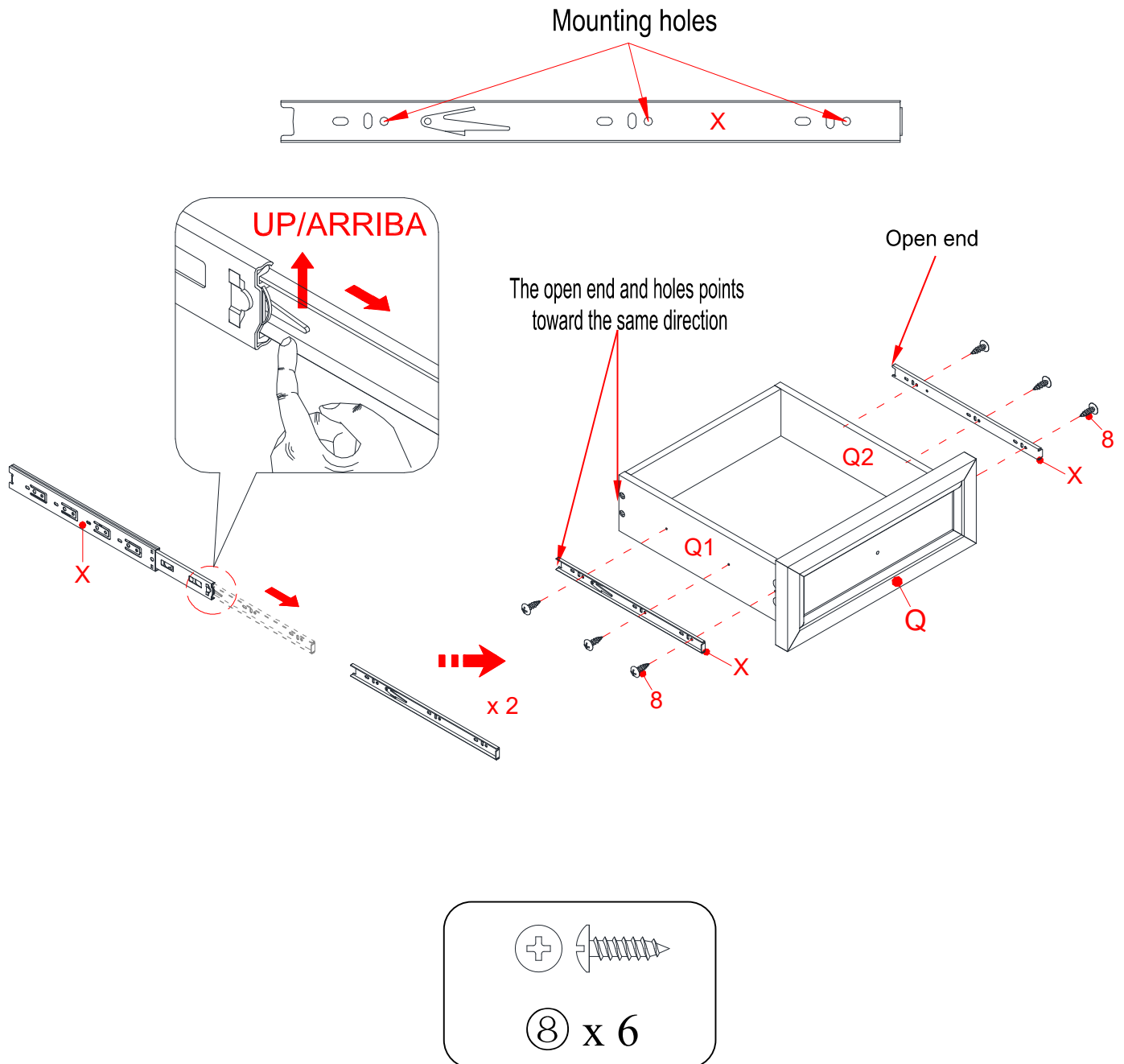
18. Fasten the Middle Drawer Sides (Q1 and Q2) to the Middle Drawer Front (Q) by engaging four Small Cam Locks (5).
19. Slide the other Left Drawer Bottom Panel (Q4) into the grooves on the Middle Drawer Sides (Q1 and Q2) until fully inserted into the Middle Drawer Front (Q).

Middle Drawer Assembling



20. Fasten the Middle Drawer Back Panel (Q3) between the Middle Drawer Sides (Q1 and Q2) with four 38 mm Screws (6). Make sure that the Left Drawer Bottom Panel (Q4) fits securely into the groove of the Middle Drawer Back Panel (Q3). Tighten all the screws with a Phillips screwdriver.

Middle Drawer Assembling

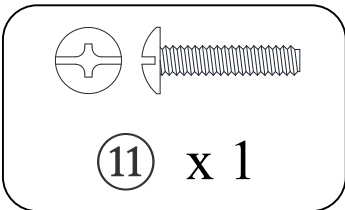
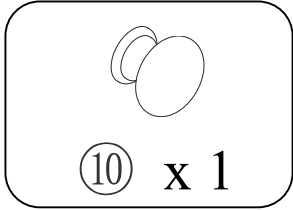
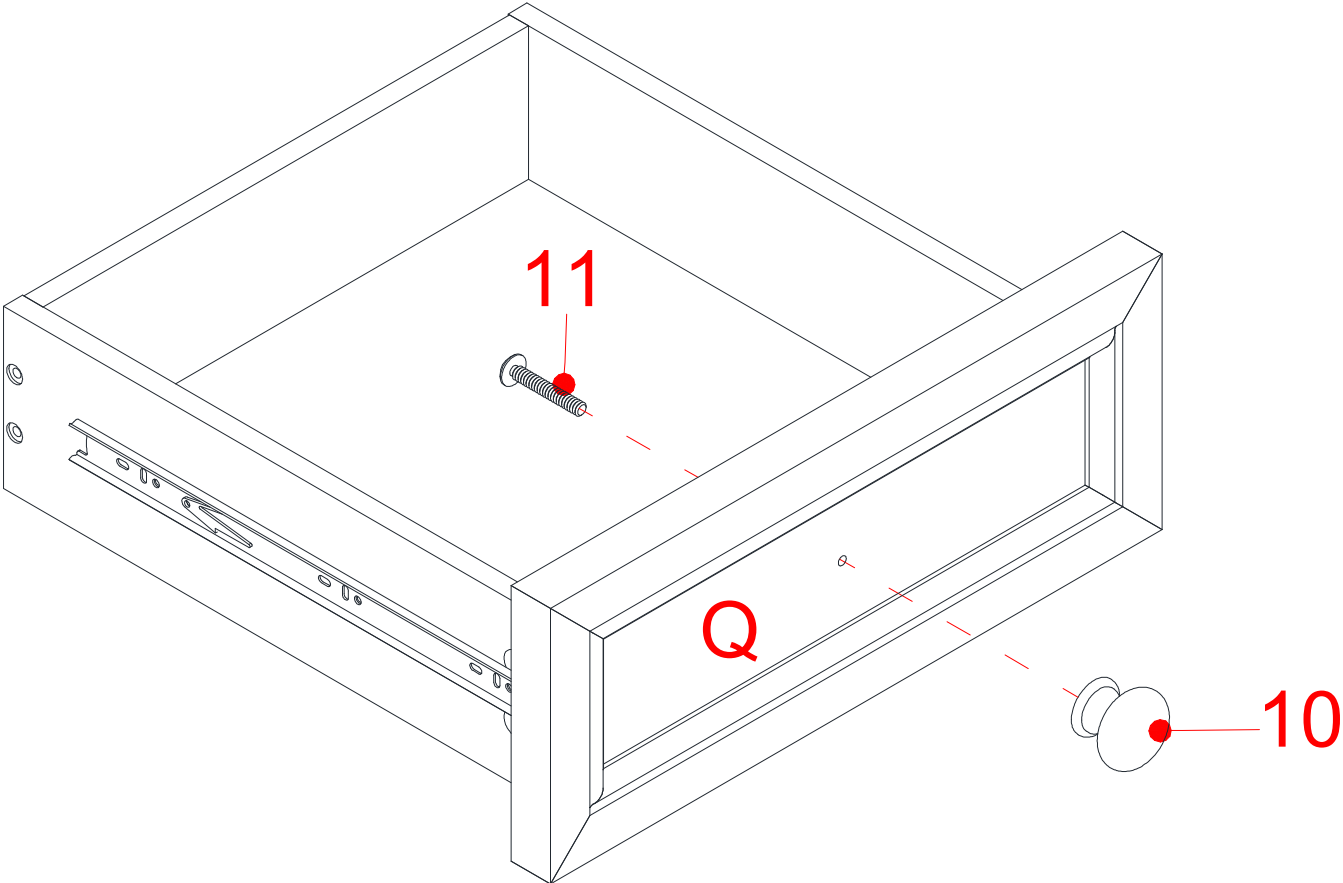


21. Turn the assembled drawer upright.

22. Pick up the 12" Ball Bearing Slides (X) and separate the slide runners for the following step. Extend the slide runner all the way forward. Press the plastic release lever of the ball bearing slides and pull the slide runner complete out.

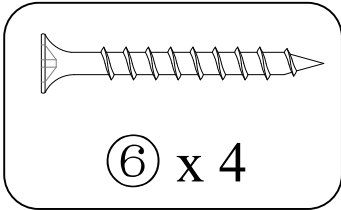
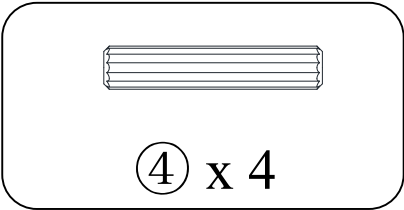
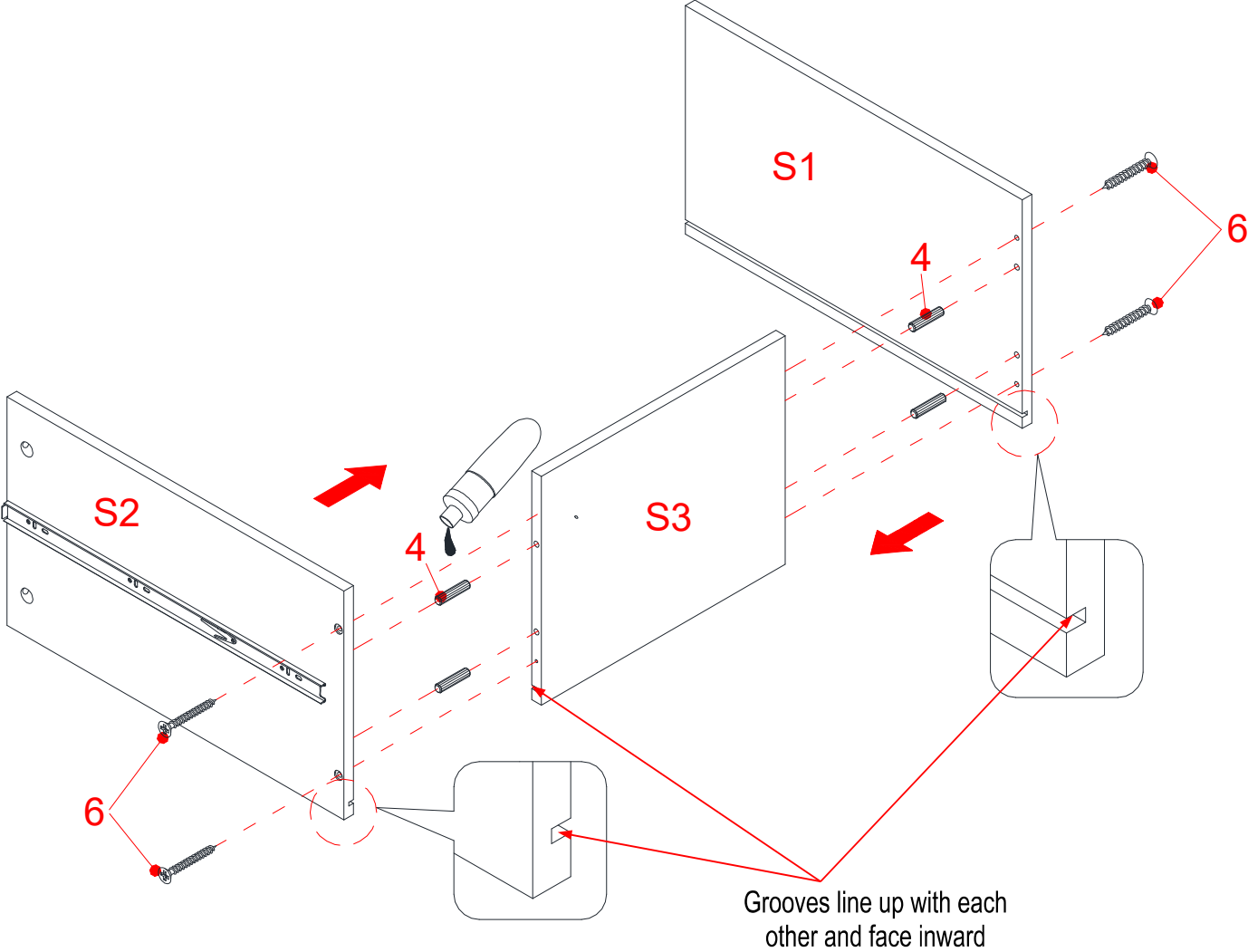
23. Using the pilot holes as a guide, attach the separated slide runners to the Middle Drawer Sides (Q1 and Q2) respectively with three 12 mm Screws (8) per slide runner.

Middle Drawer Assembling



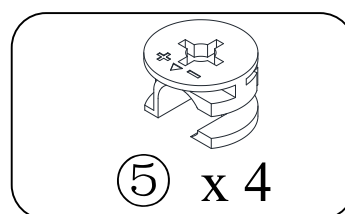
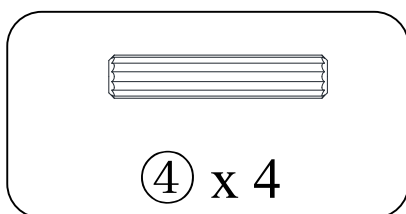
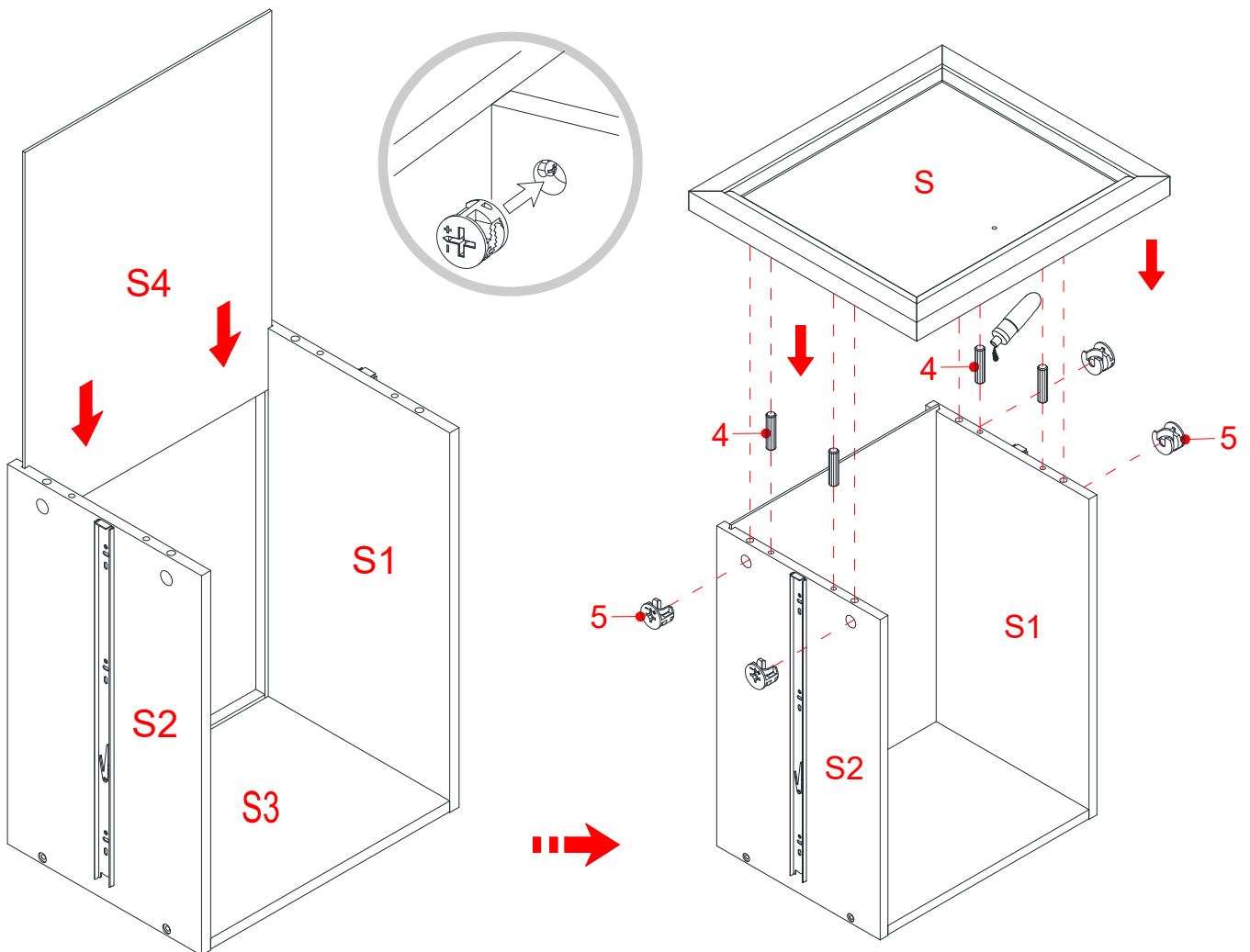
24. Attach one Knob (10) to the outside of the Middle Drawer Front (Q) with one 19 mm Bolt (11).

File Drawer Assembling



27. Attach the File Drawer Back Panel (S3) between the File Drawer Sides (S1 and S2)) with four 30 mm Small Wood Dowel (4) and four 38 mm Screws (6).

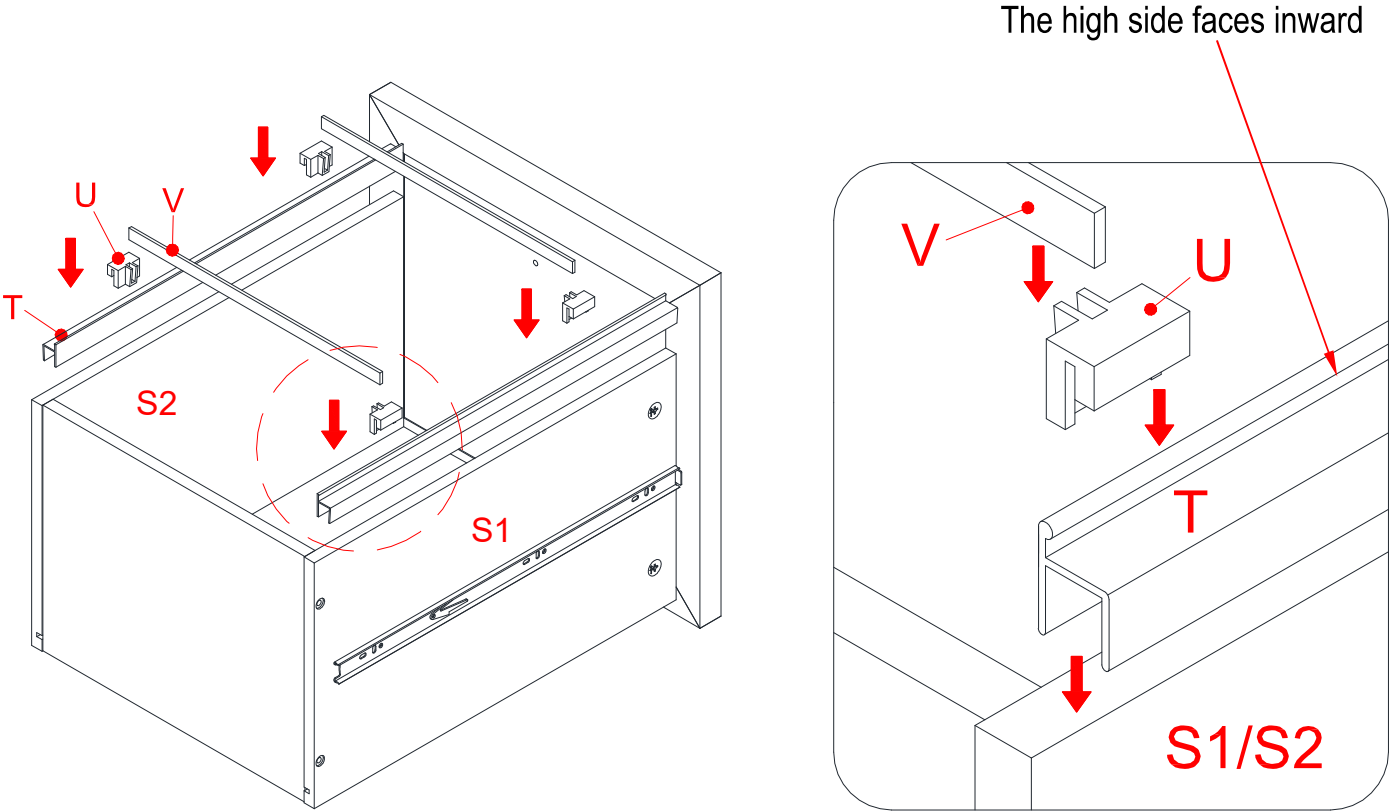
File Drawer Assembling



28. Slide the File Drawer Bottom Panel (S4) into the grooves on the File Drawer Sides (S1 and S2) and fully inserted into the File Drawer Back Panel (S3).

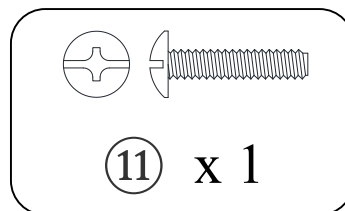
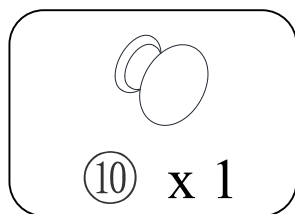
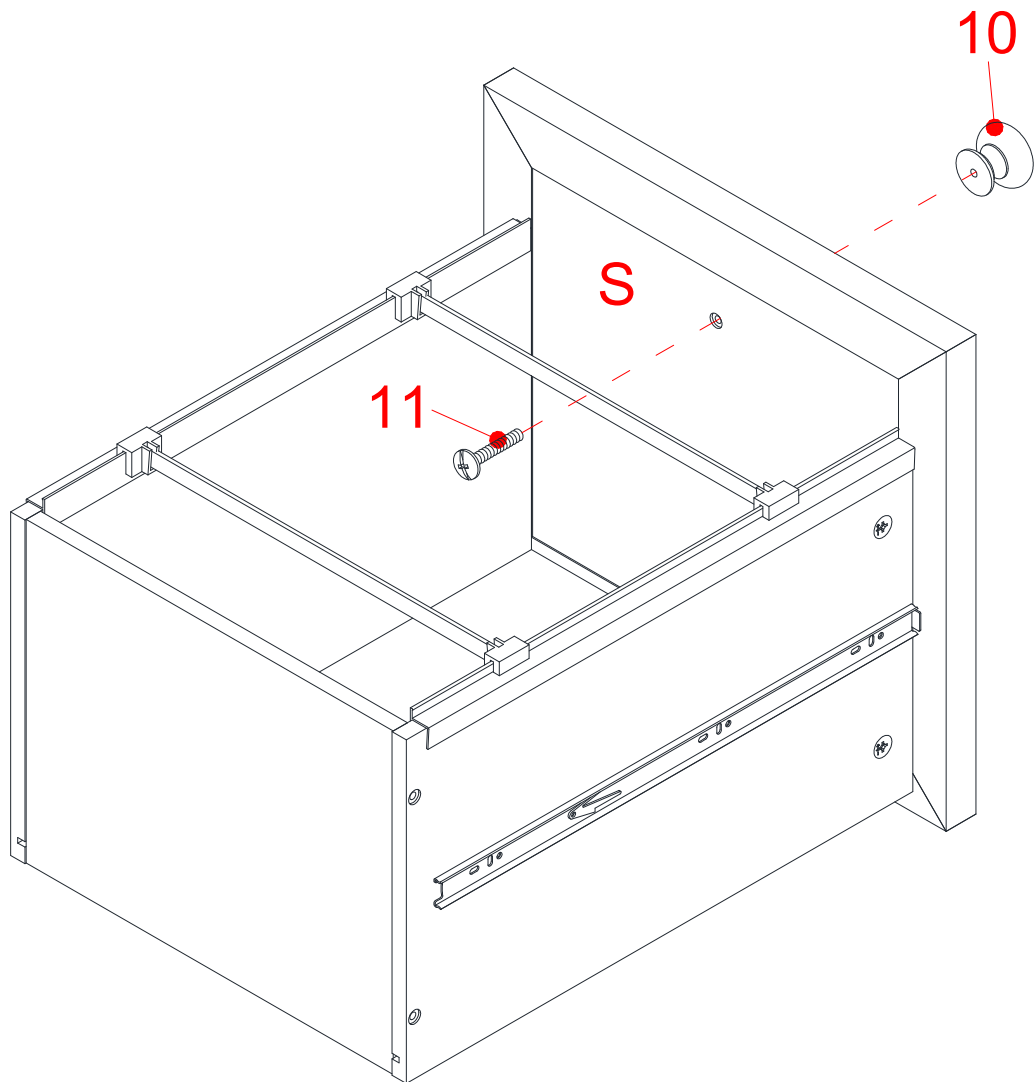
29. Attach the File Drawer Front (S) to the File Drawer Sides (S1 and S2) by engaging four Small Cam Locks (5) and four 30 mm Small Wood Dowels (4).

File Drawer Assembling



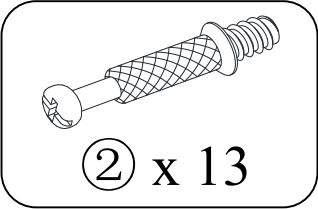
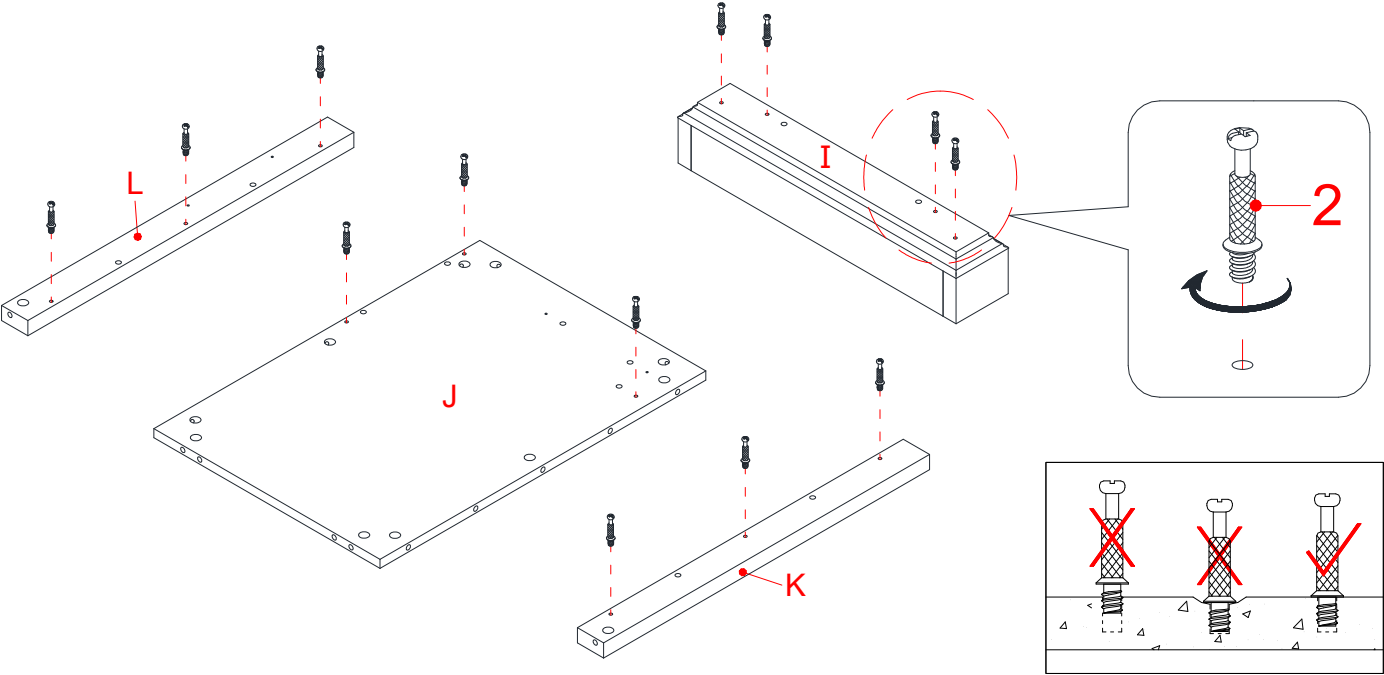
- 30. Turn the assembled drawer upright. Position Guide Rails (T) onto the File Drawer Sides (S1 and S2) with the high side facing inward.
- 31. Hook four Guide Blocks (U) onto the high edge of Guide Rails (T). Now set the File Plates (V) into the slot of Guide Blocks (U). Slide the file plate forward and backward to keep hanging files organized.

File Drawer Assembling



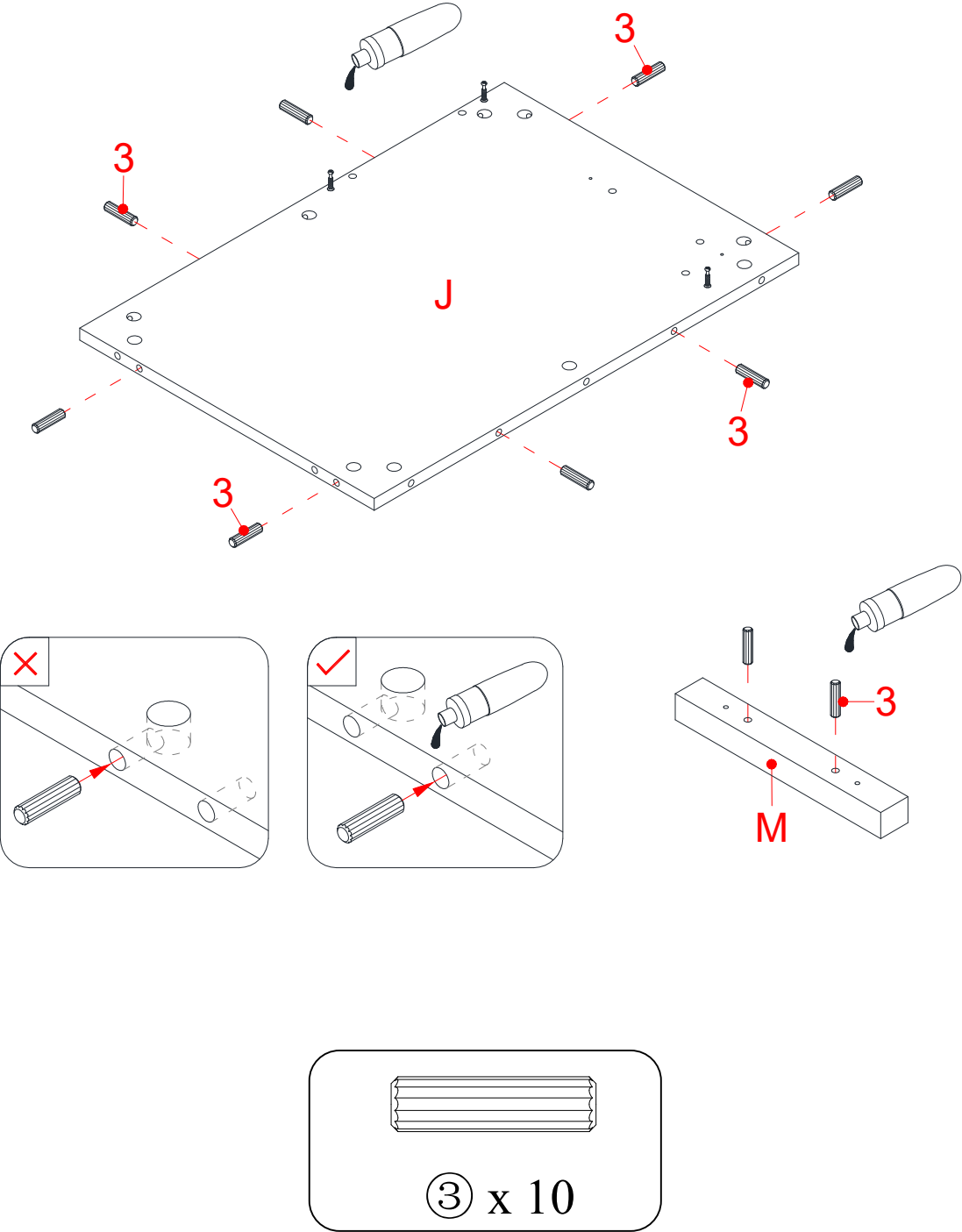
32. Attach one Knob (10) to the outside of the File Drawer Front (S) with one 19 mm Bolt (11).

Assembly Instructions



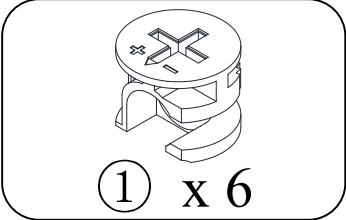
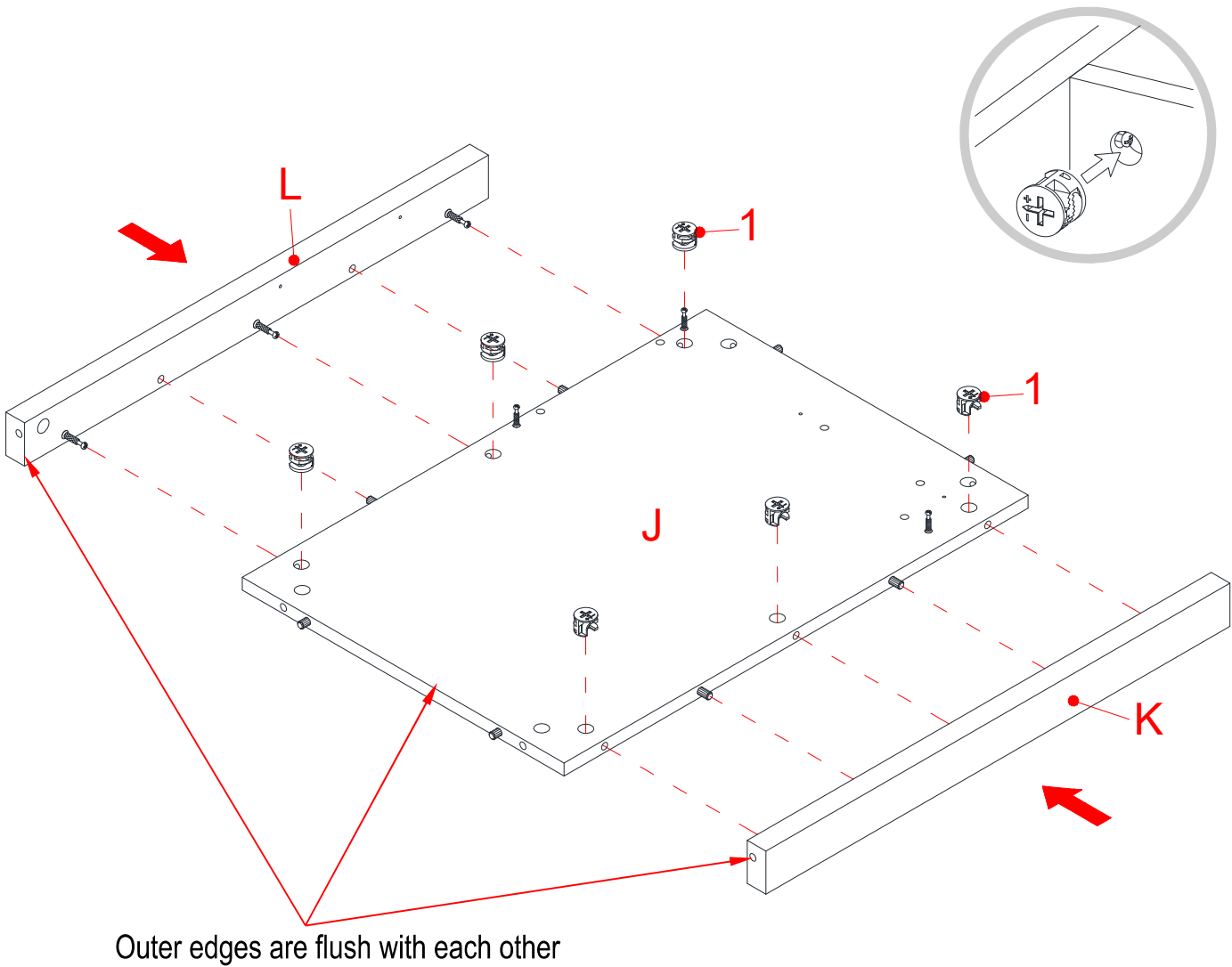
33. Securely screw the Cam Bolts (2) into the designated small holes on the Right Side Base (I), Right Side Panel (J) and Moldings (K and L) using a Phillips screwdriver.

Assembly Instructions



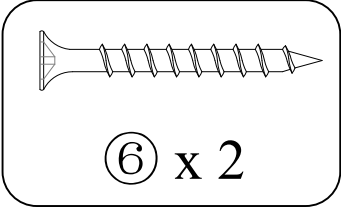
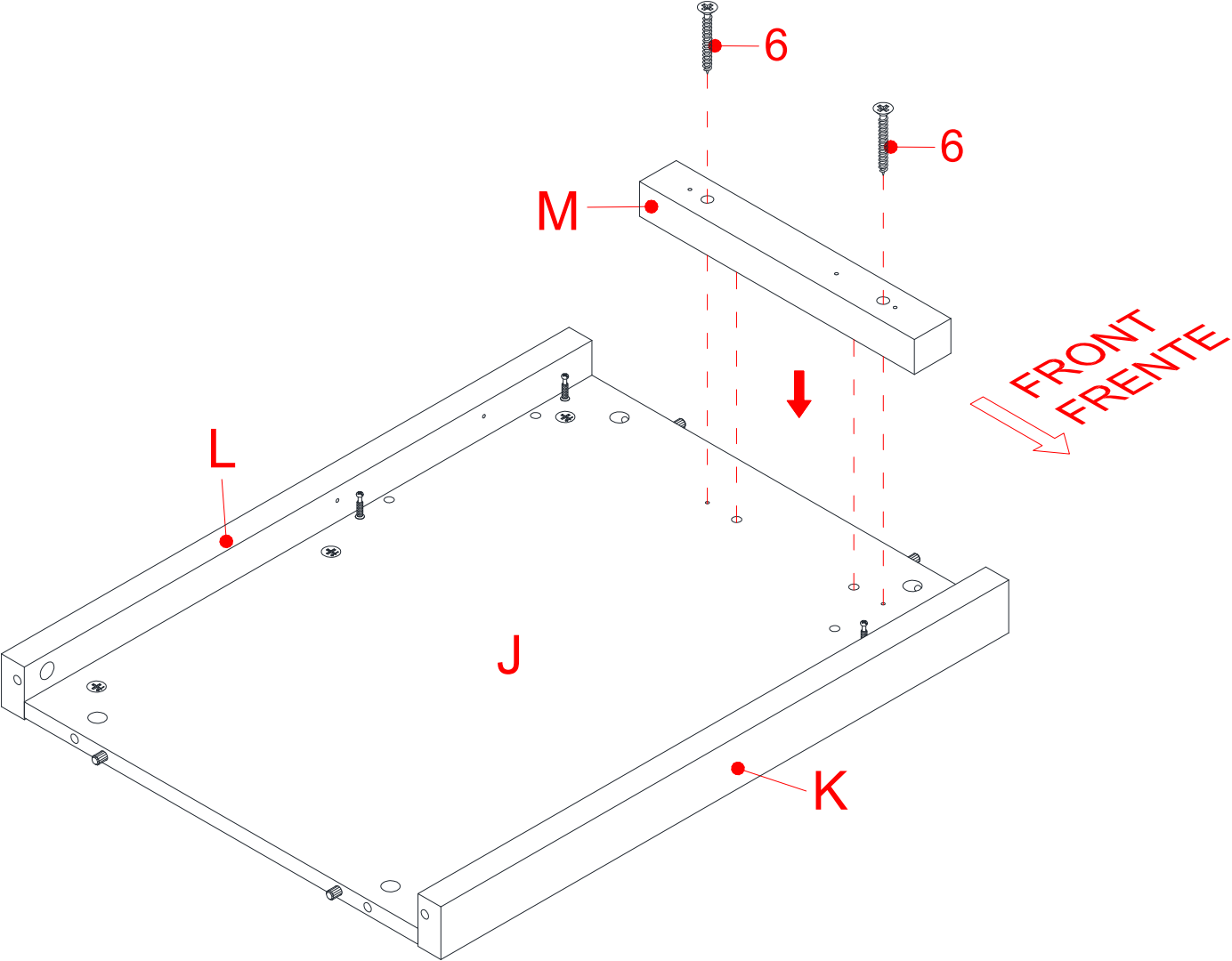
34. Glue the Large Wood Dowels (3) into the inner holes of the Right Side Panel (J) and Slide Support (M).

Assembly Instructions



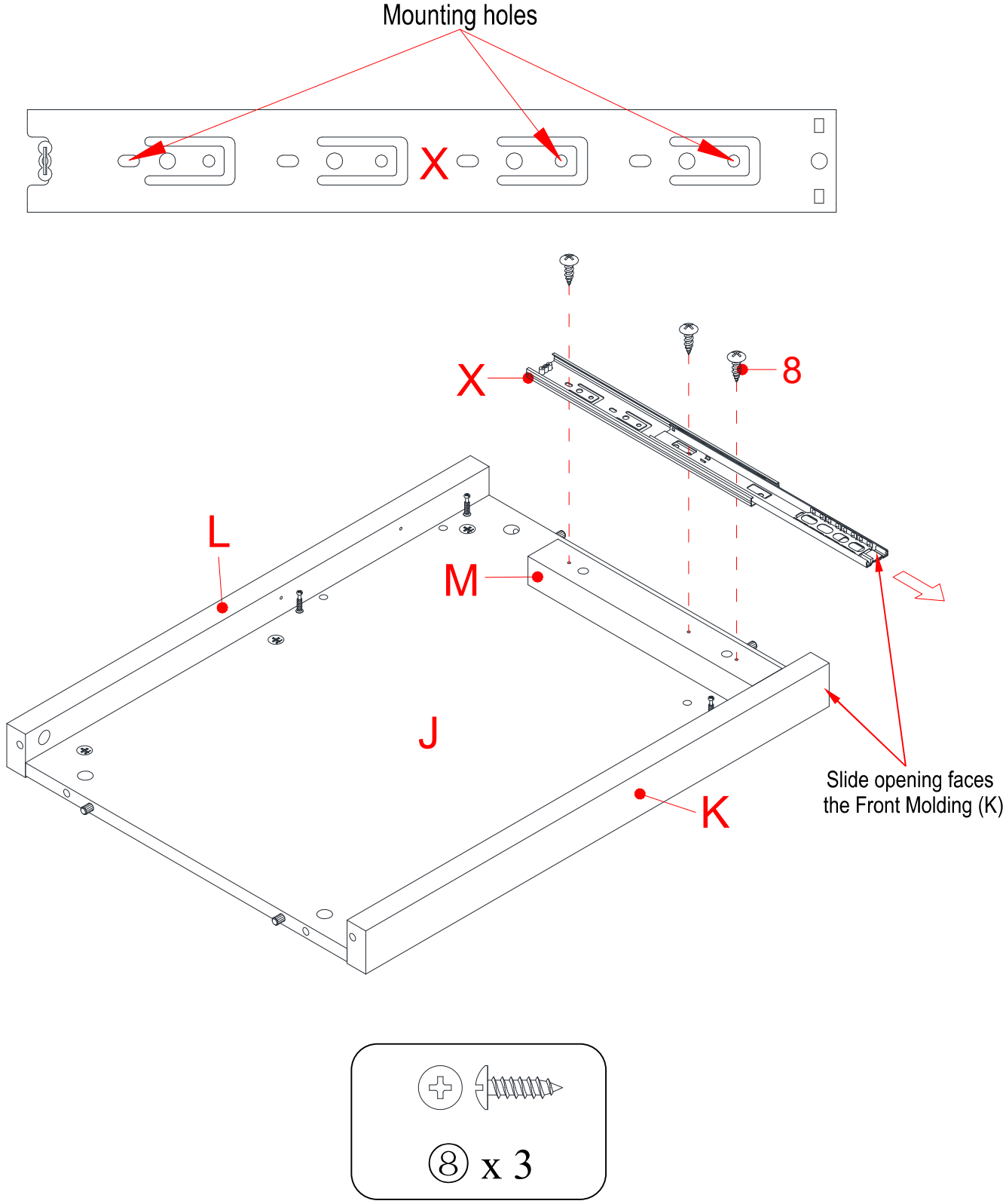
35. Align and attach the Moldings (K and L) to the Right Side Panel (J) by engaging three Large Cam Locks (1) per molding.

Assembly Instructions



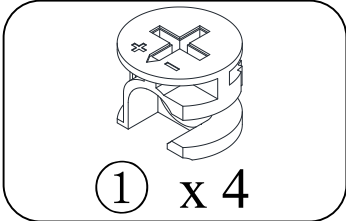
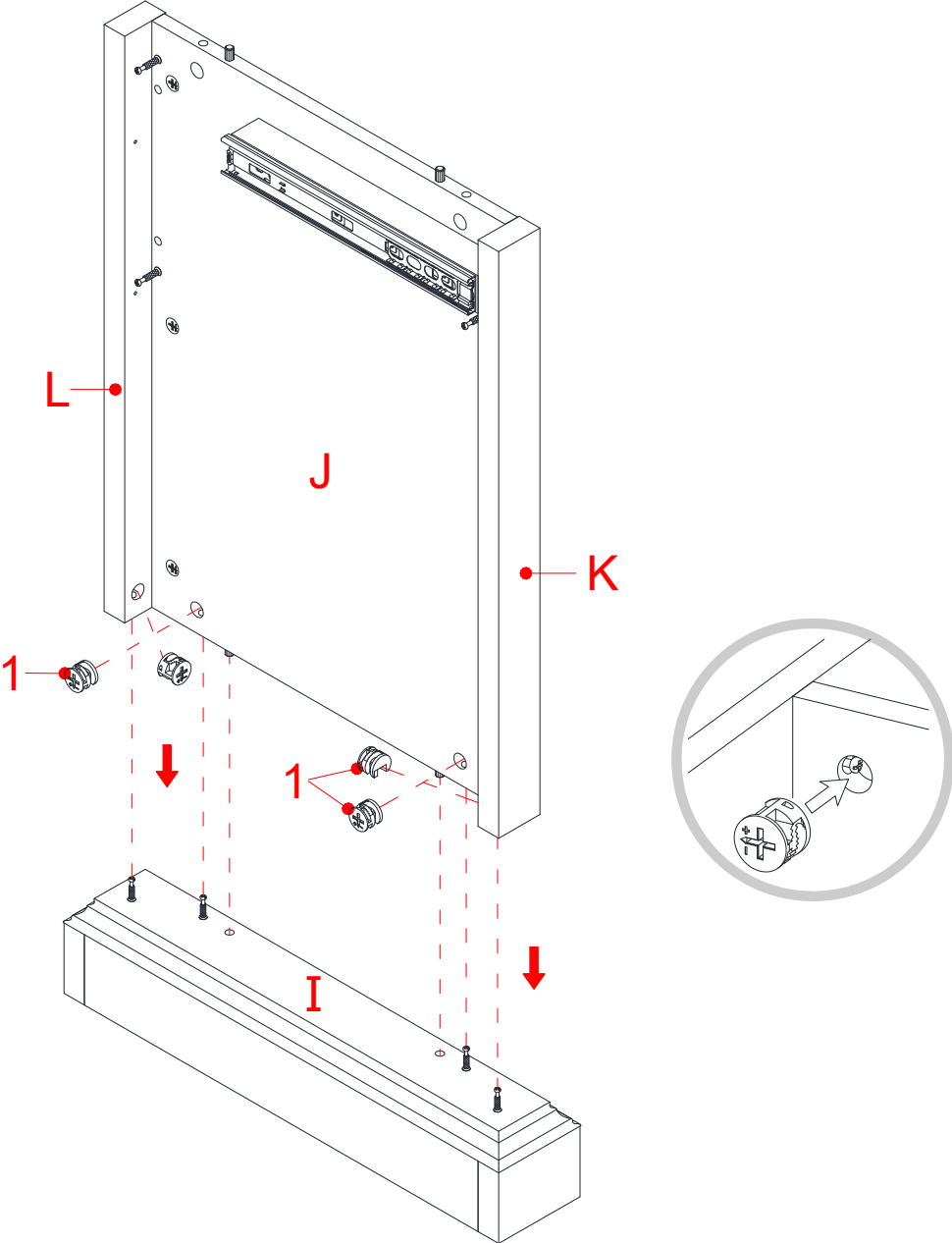
36. Use the inserted wood dowels as a guide, fasten the Slide Support (M) to the Right Side Panel (J) with two 38 mm Screws (6).

Assembly Instructions



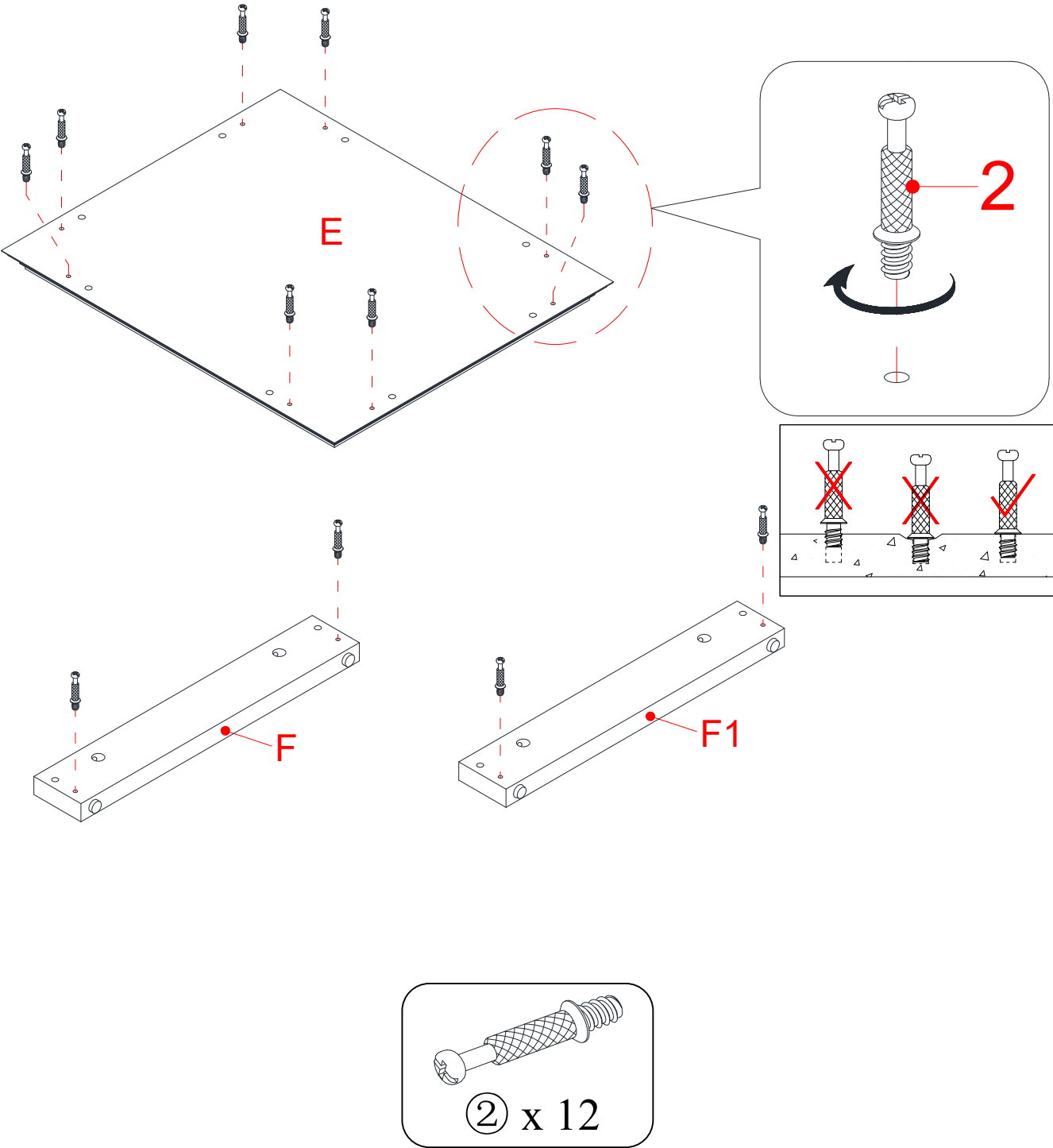
37. Using the pilot holes as a guide, attach the separated 12" Slide Track (X) to the Slide Support (M) with three 12 mm Screws (8).

Assembly Instructions



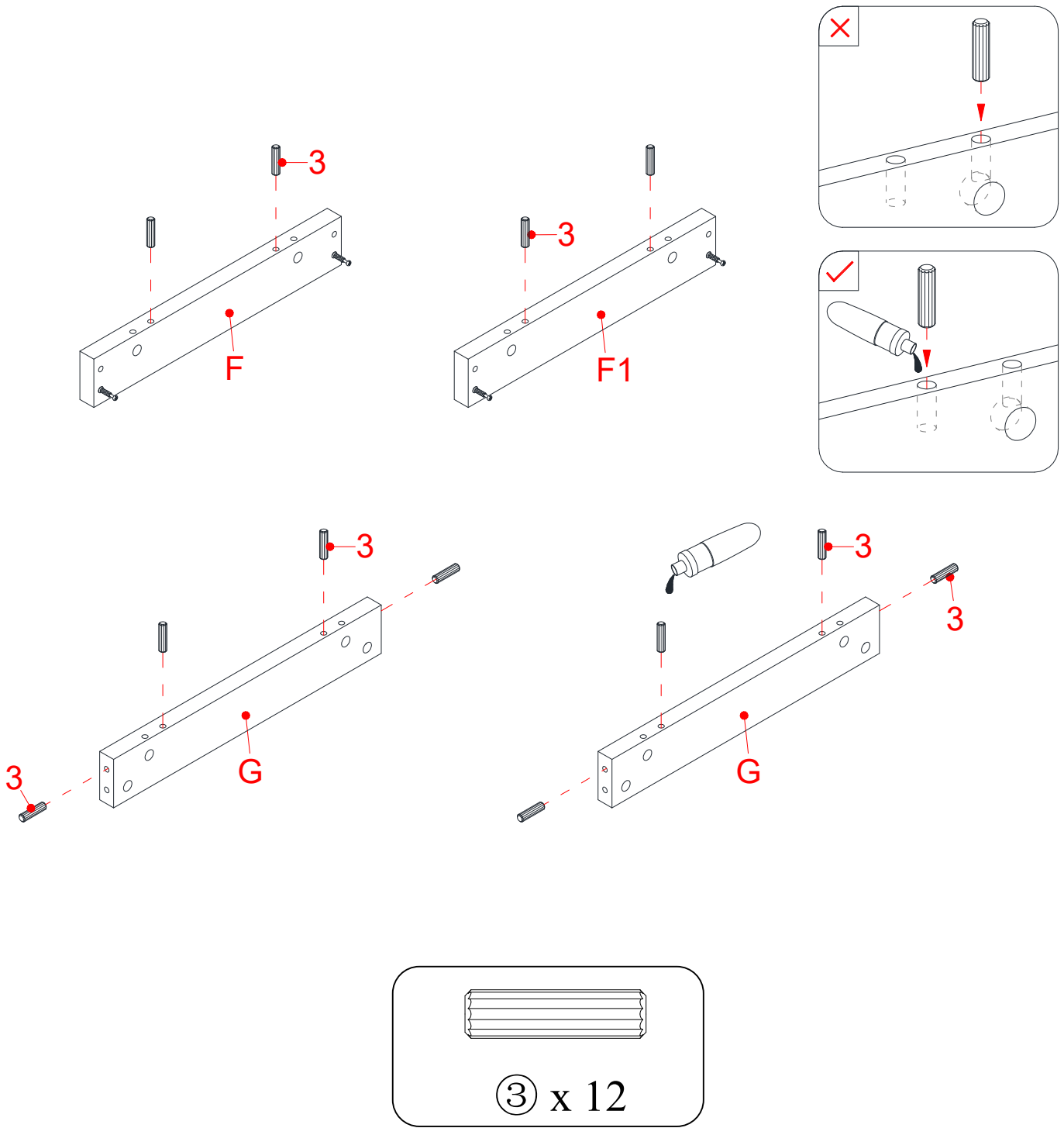
38. Attach the previous assembly to the Right Side Base (I) with four Large Cam Locks (1).

Assembly Instructions



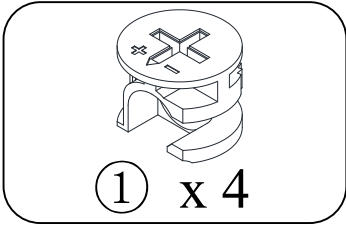
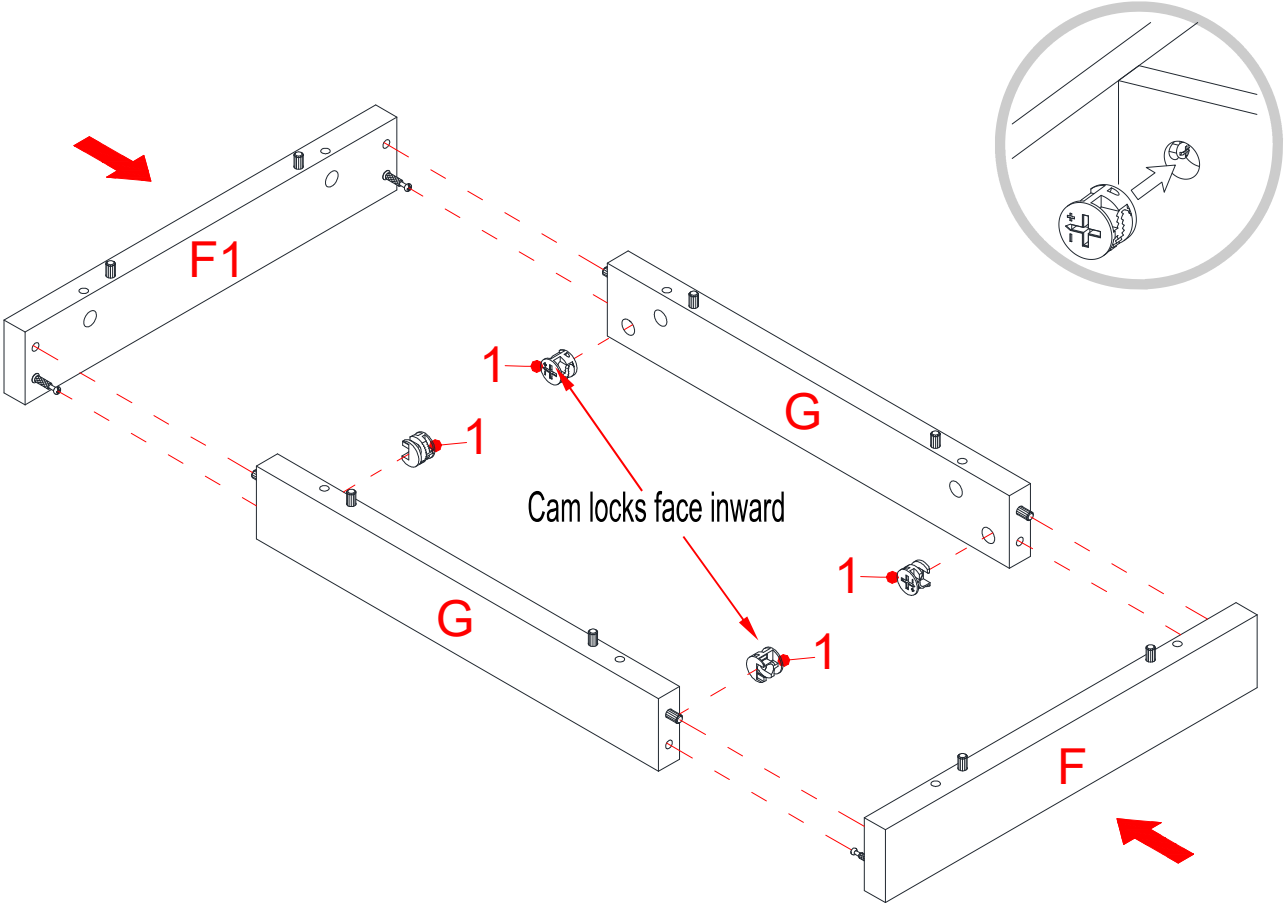
39. Securely screw the Cam Bolts (2) into the designated small holes on the Left Bottom Panel (E), Bottom Front and Back Supports (F and F1) using a Phillips screwdriver.

Assembly Instructions



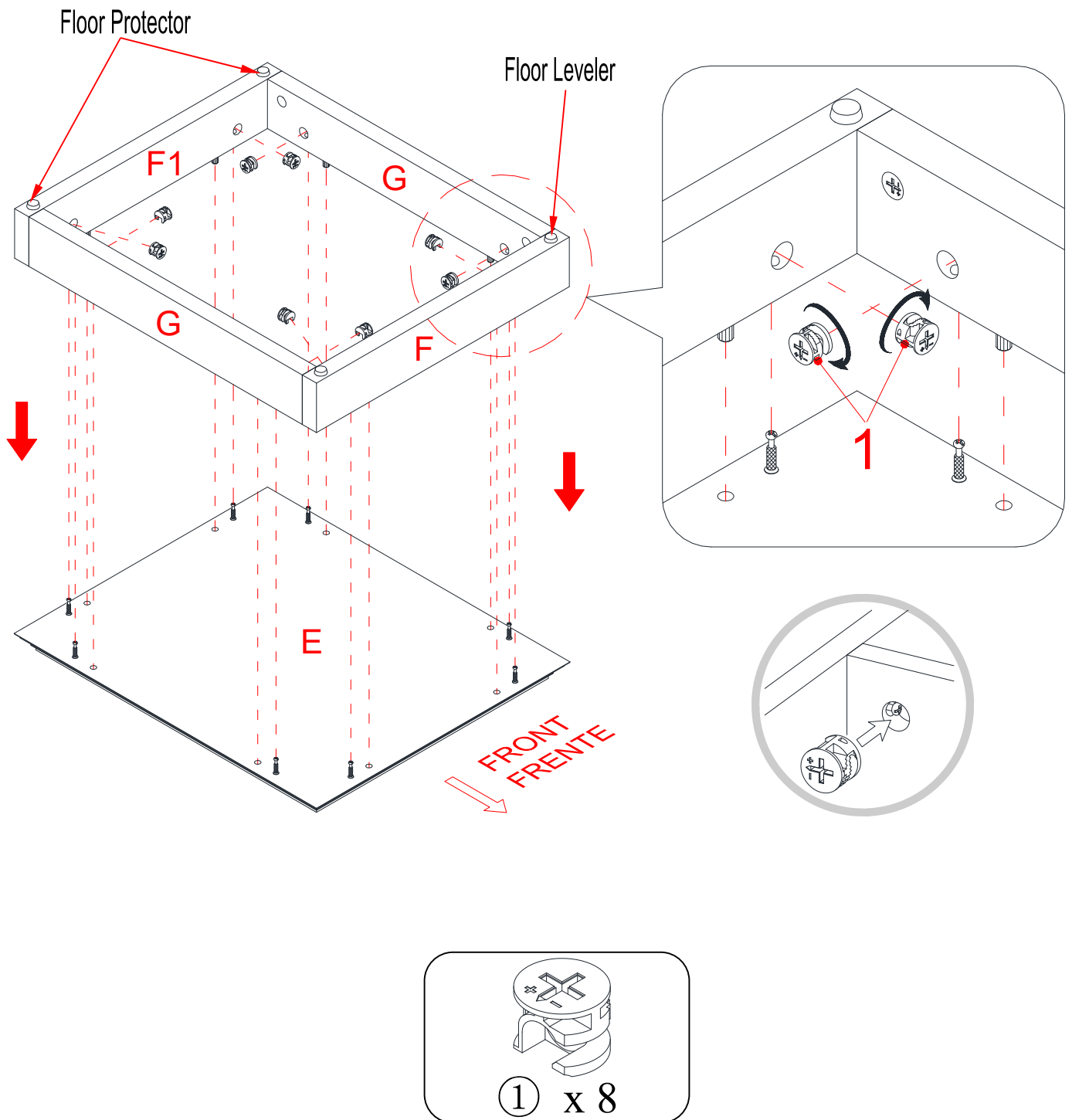
40. Glue the Large Wood Dowels (3) into the inner holes of the Bottom Side Supports (G), Bottom Front and Back Supports (F and F1) as shown.

Assembly Instructions



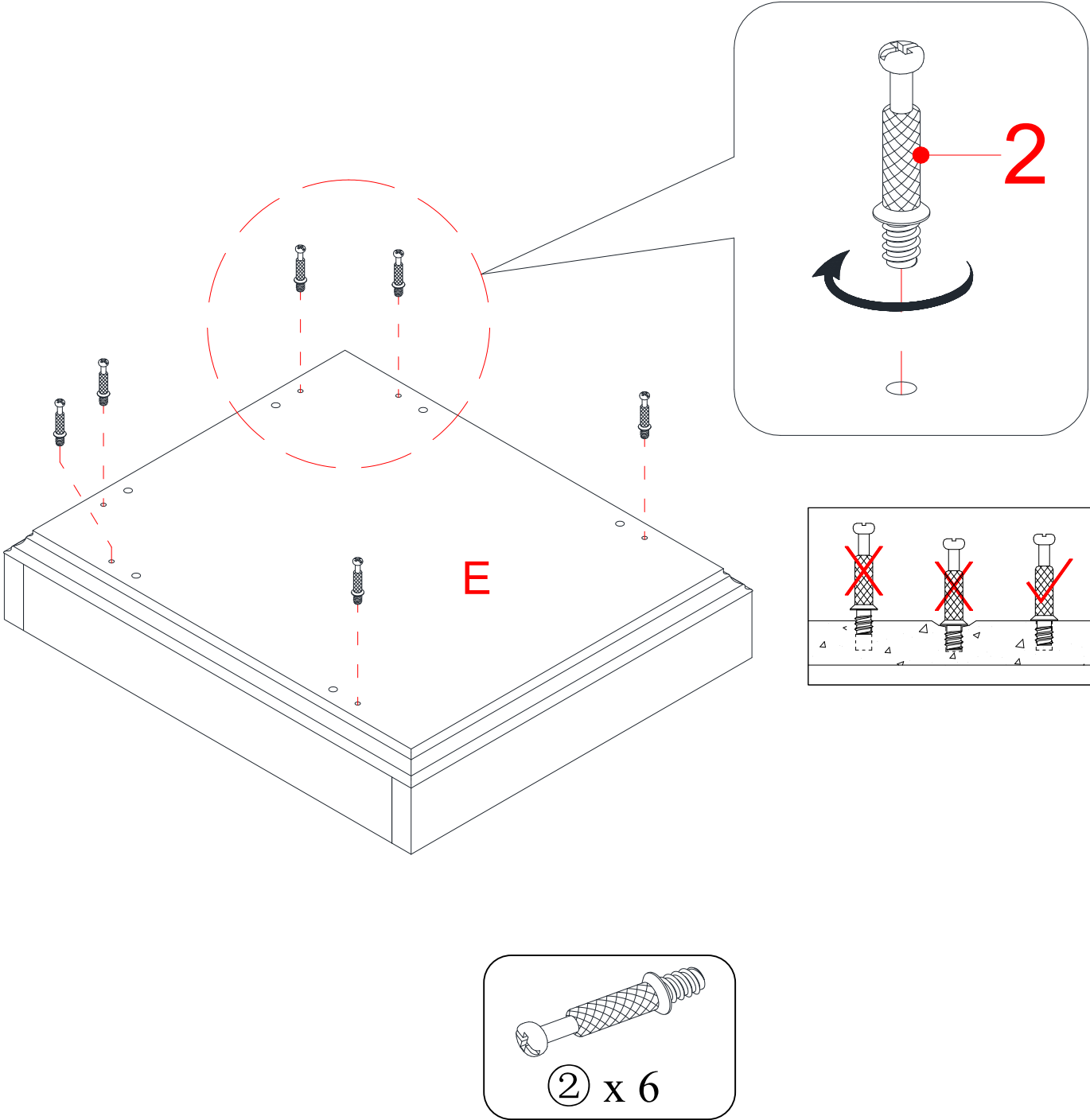
41. Attach the Bottom Side Supports (G) between the Bottom Front and Back Supports (F and F1) with four Large Cam Locks (1).

Assembly Instructions



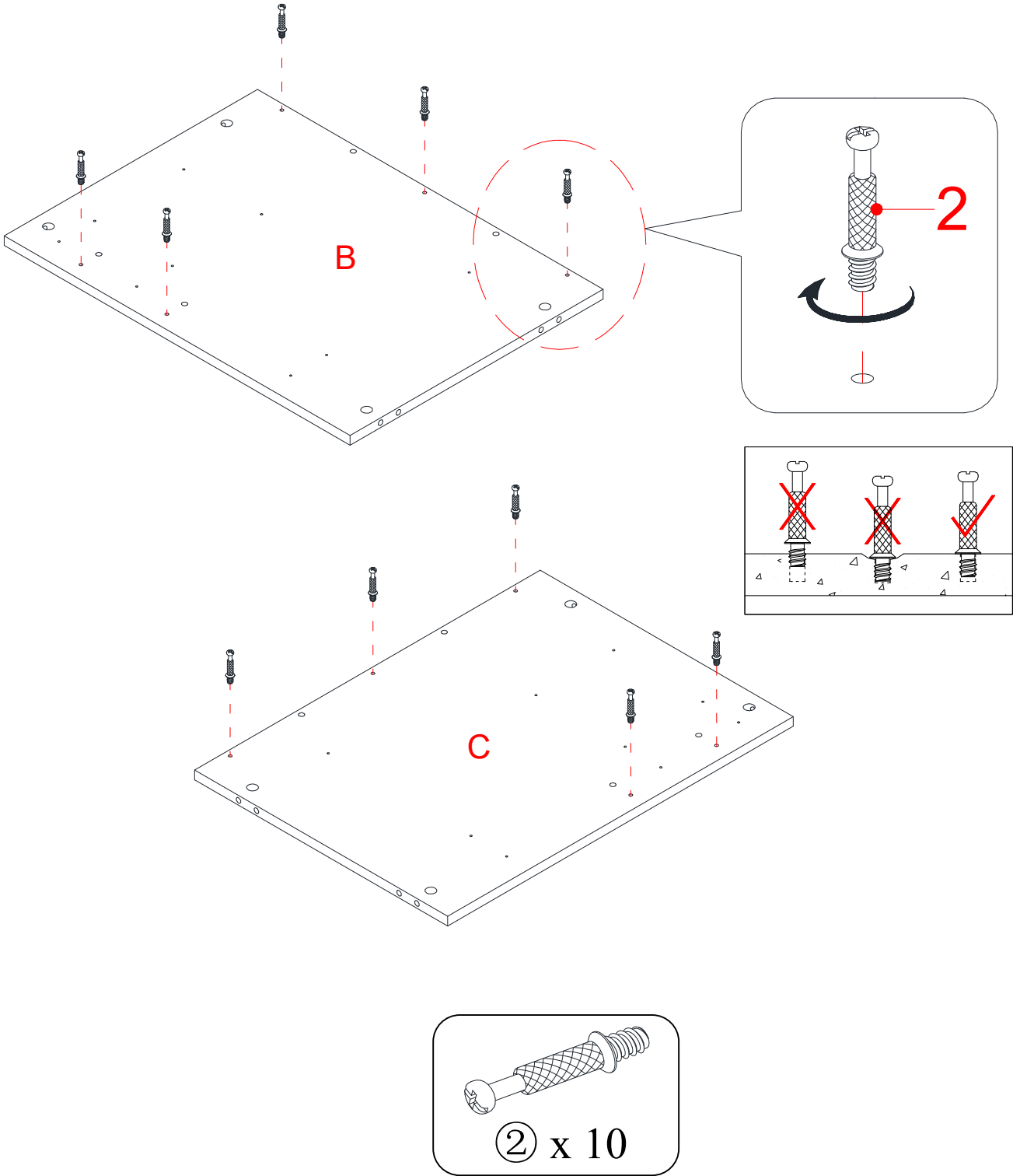
42. Align and attach the assembled base to the Left Bottom Panel (E) with eight Large Cam Locks (1).

Assembly Instructions



- 43. Turn the assembled base facing up.
- 44. Securely screw the Cam Bolts (2) into the designated small holes on the Left Bottom Panel (E) using a Phillips screwdriver.

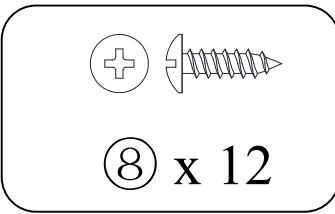
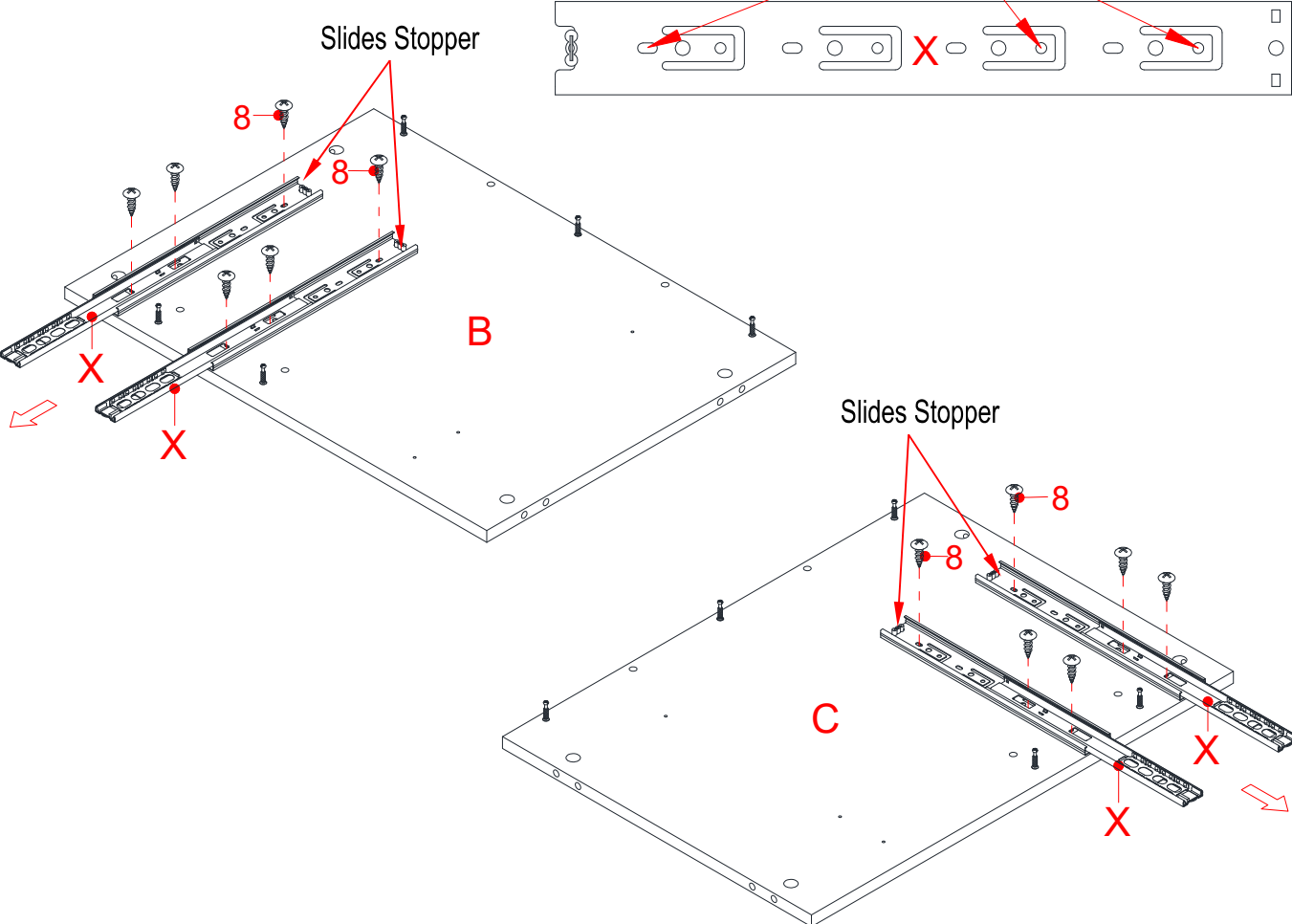
Assembly Instructions



45. Securely screw the Cam Bolts (2) into the designated small holes on the Left Side Panel (B) and Partition Panel (C) using a Phillips screwdriver.

Assembly Instructions

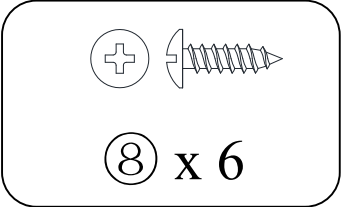
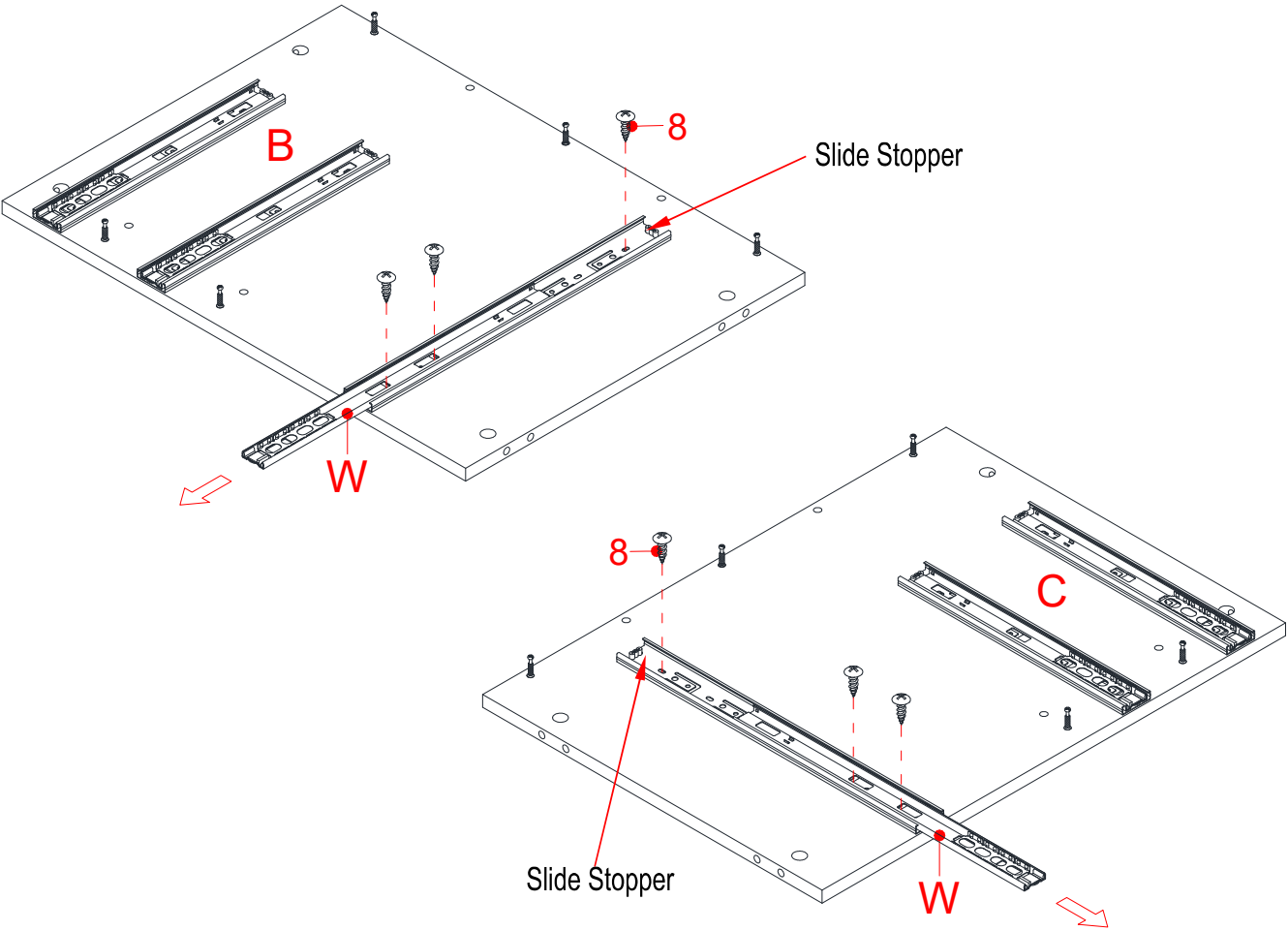
Mounting holes



46. Using the pilot holes as a guide, attach the separated 12” Slide Tracks (X) to the Panels (B and C) respectively with three 12 mm Screws (8) per slide track.

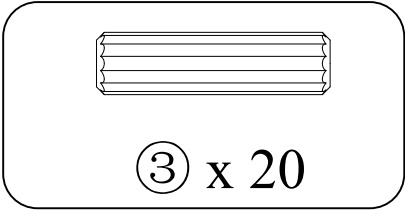
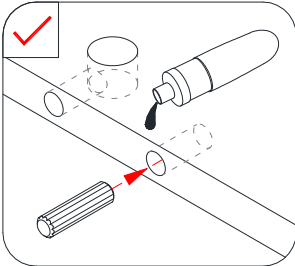
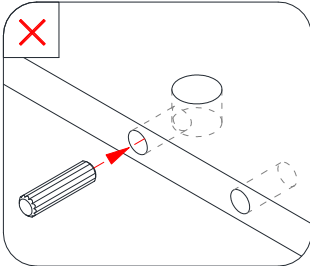
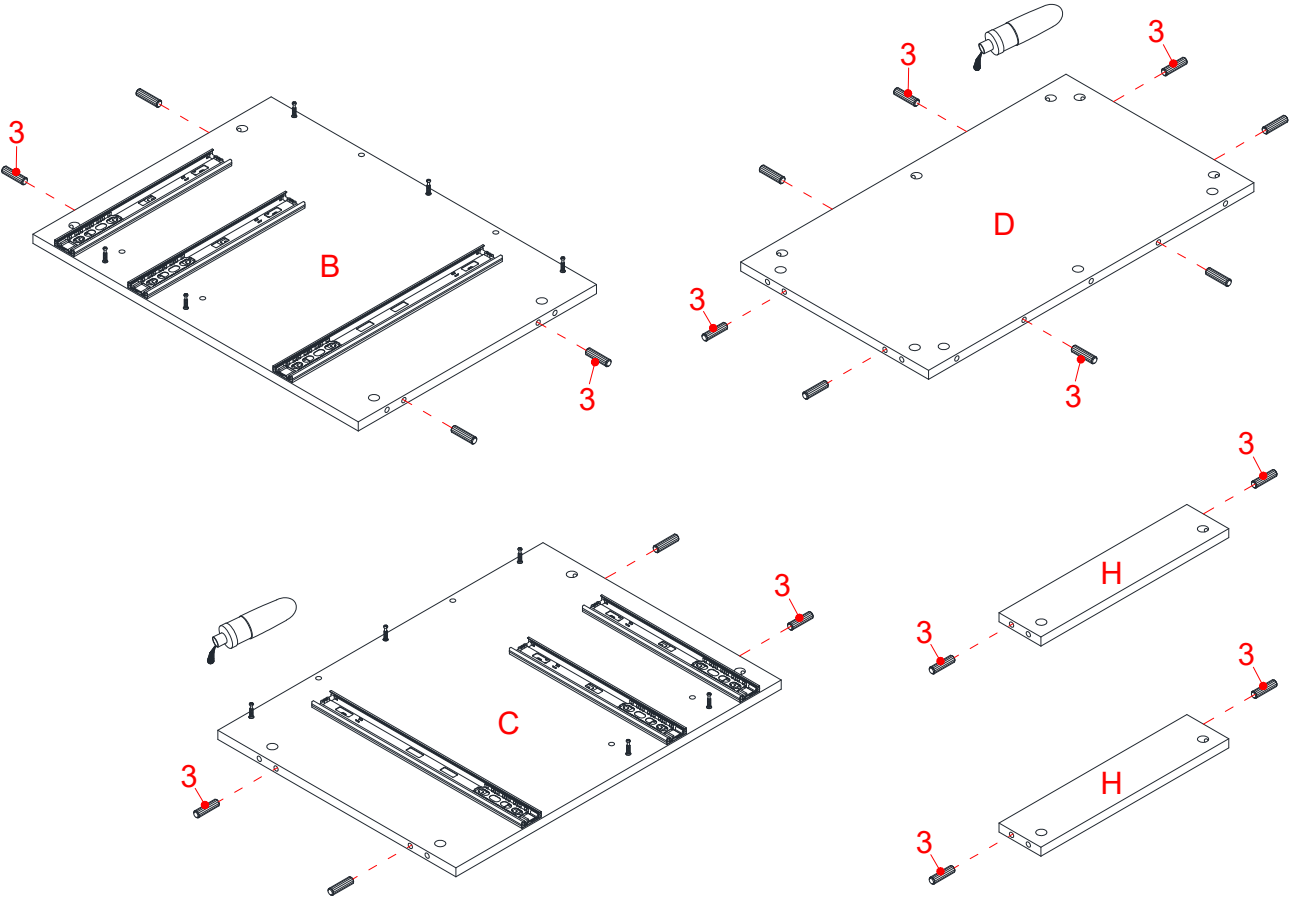
Assembly Instructions

Mounting holes



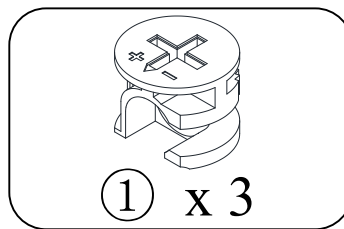
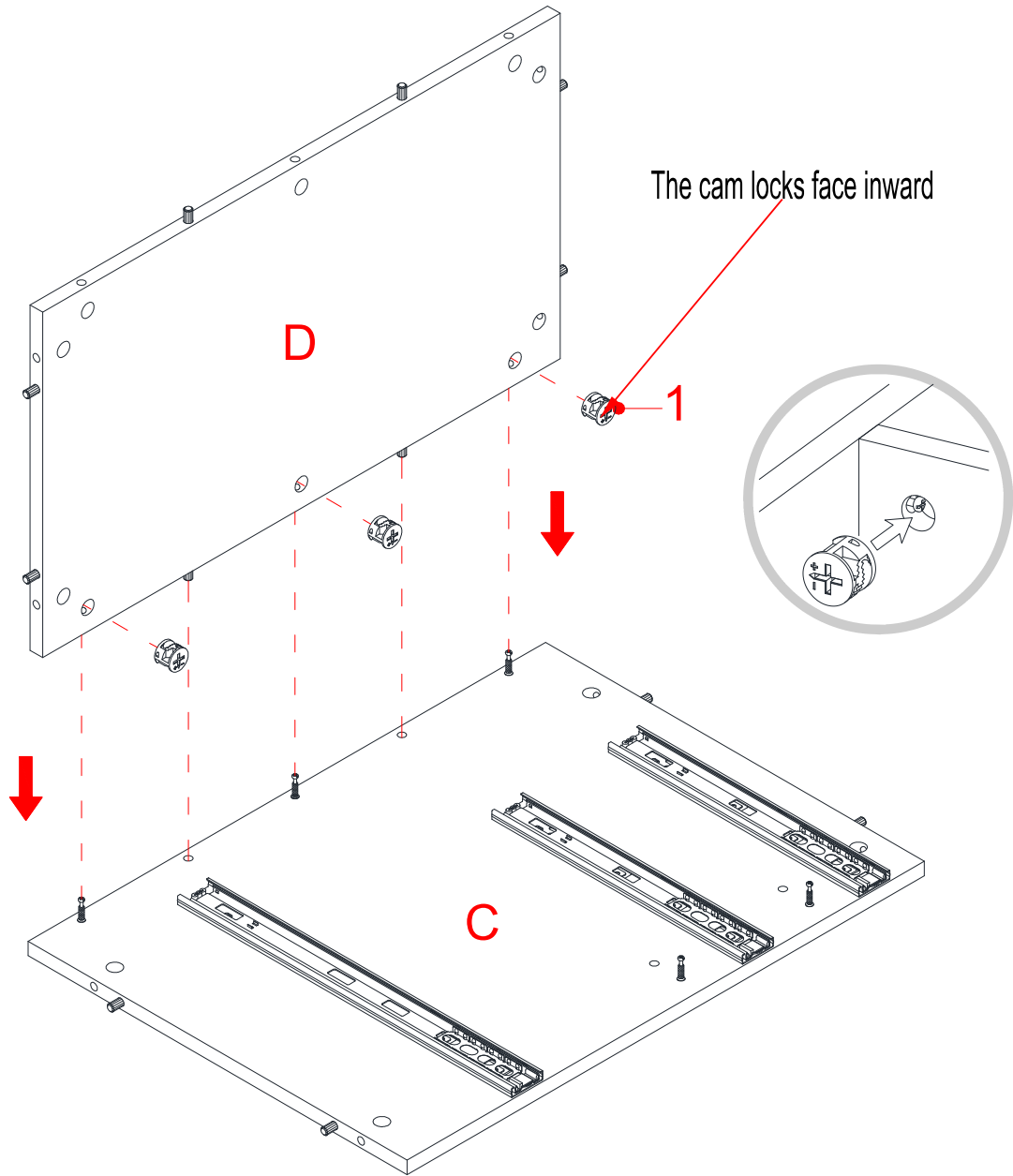
47. Using the pilot holes as a guide, attach the separated 16” Slide Tracks (W) to the Panels (B and C) respectively with three 12 mm Screws (8) per slide track.

Assembly Instructions



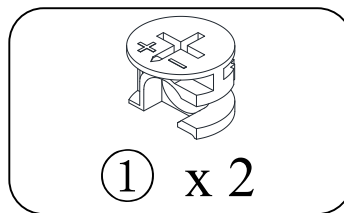
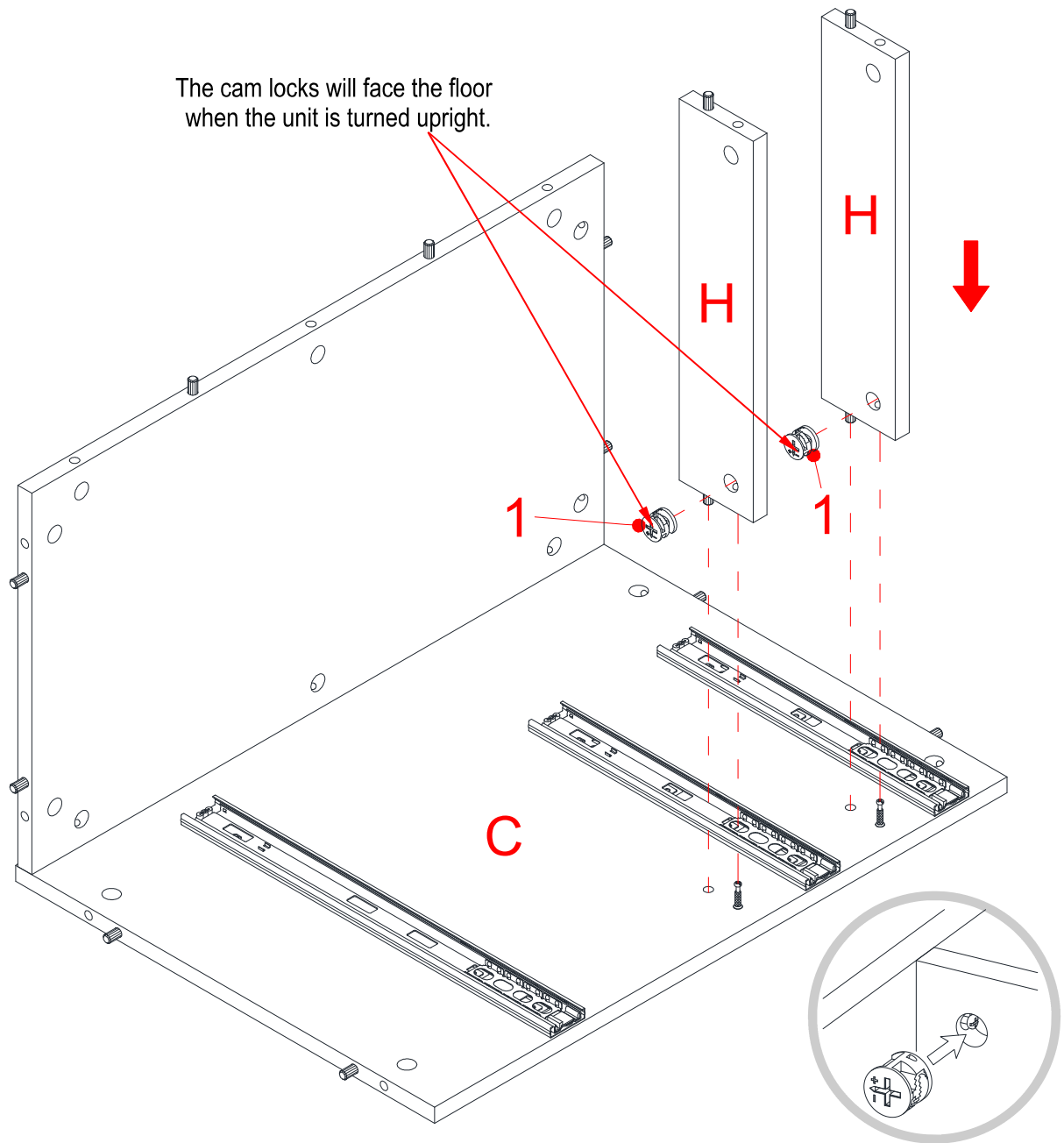
48. Glue the Large Wood Dowels (3) into the inner holes of the Left Side Panel (B), Partition Panel (C), Left Back Panel (D) and Short Crossbar (H) as shown.

Assembly Instructions



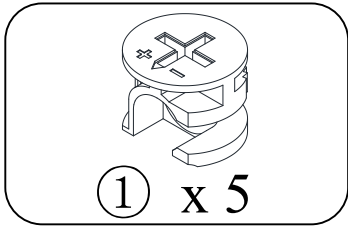
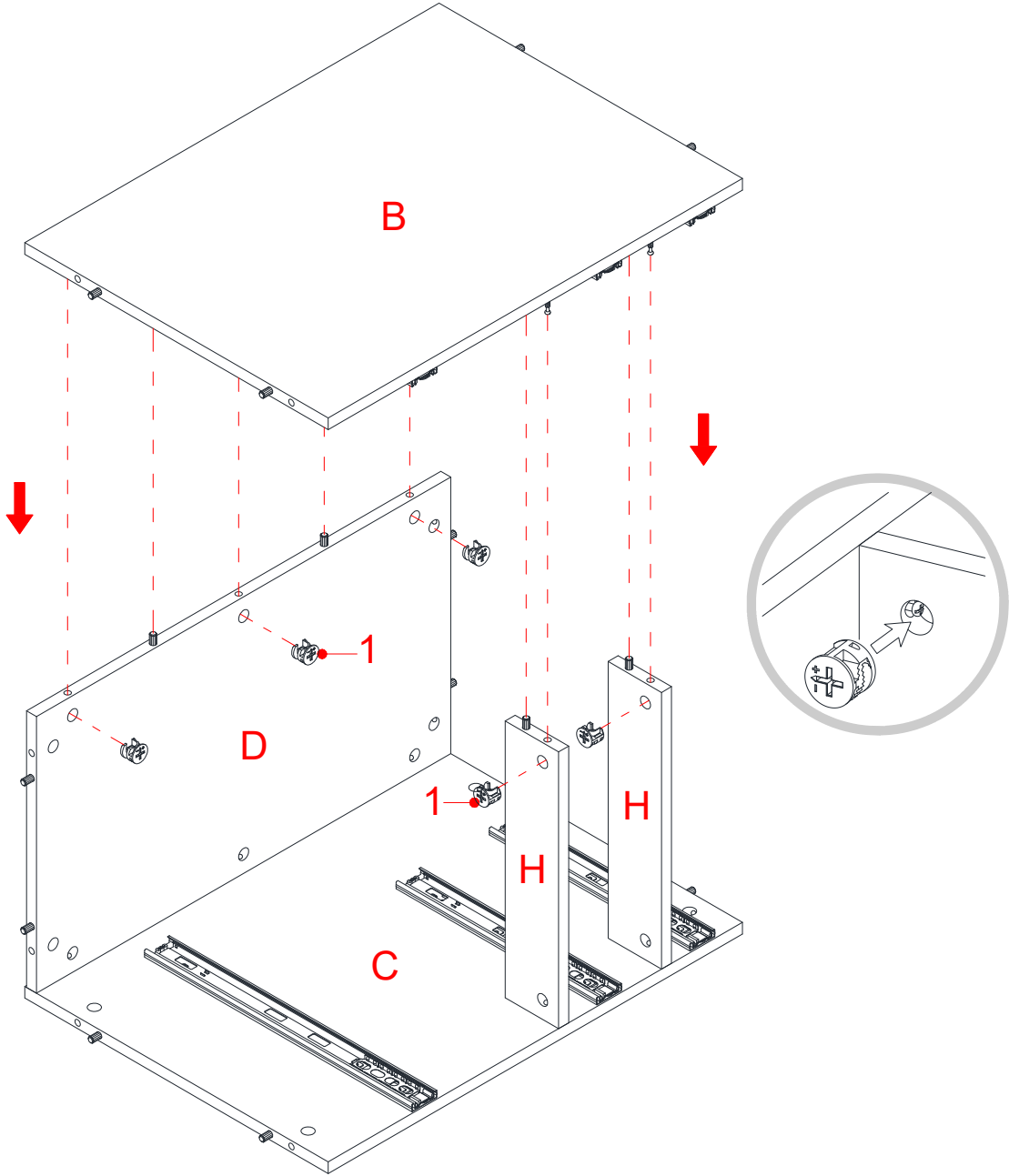
49. Attach the Left Back Panel (D) to the Partition Panel (C) with three Large Cam Locks (1).

Assembly Instructions



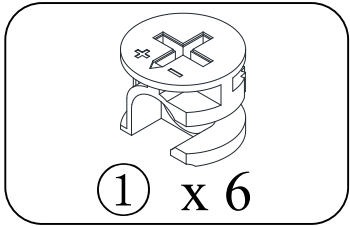
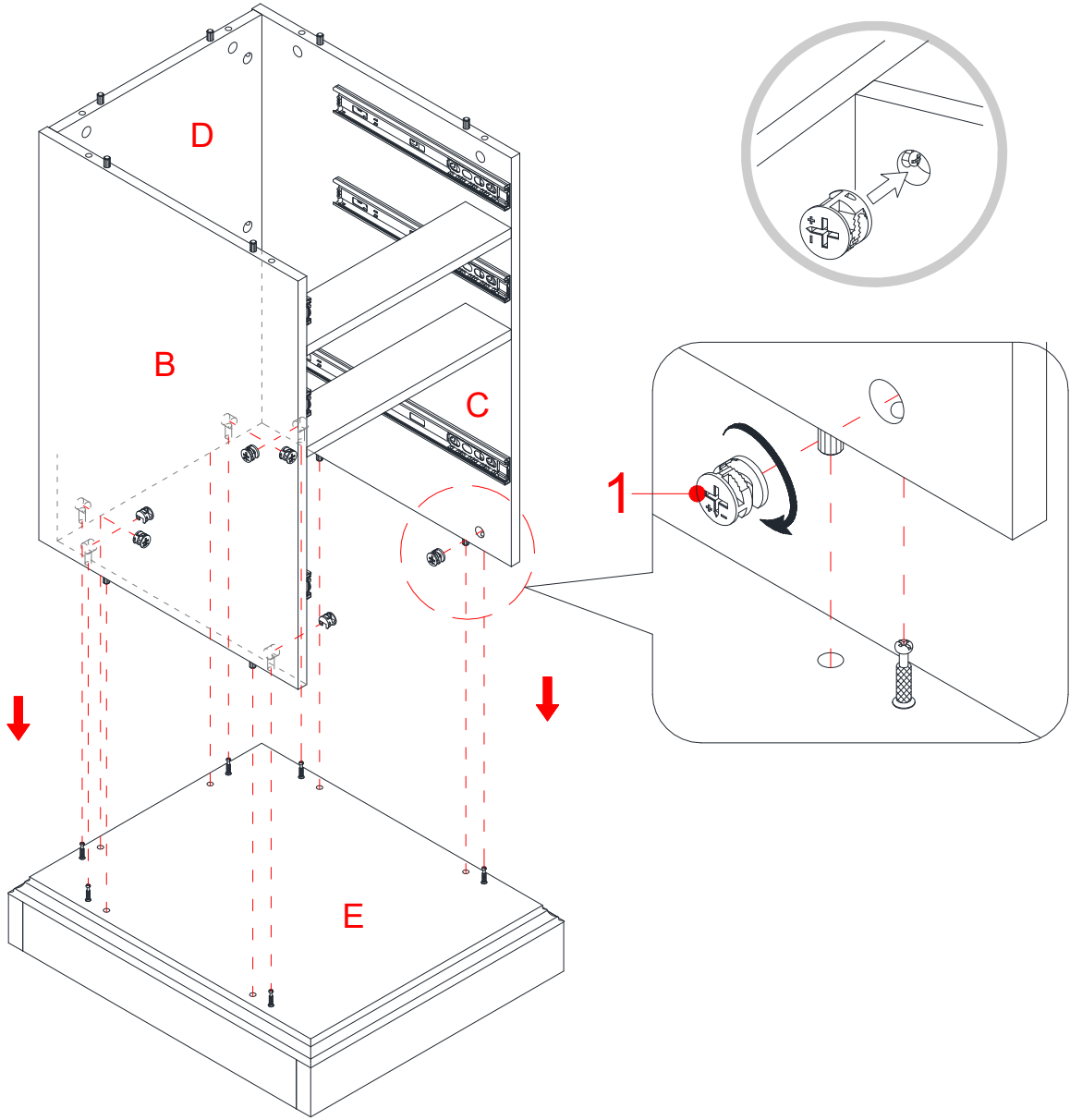
50. Repeat the same procedure to attach the Short Crossbars (H) to the Partition Panel (C).

Assembly Instructions



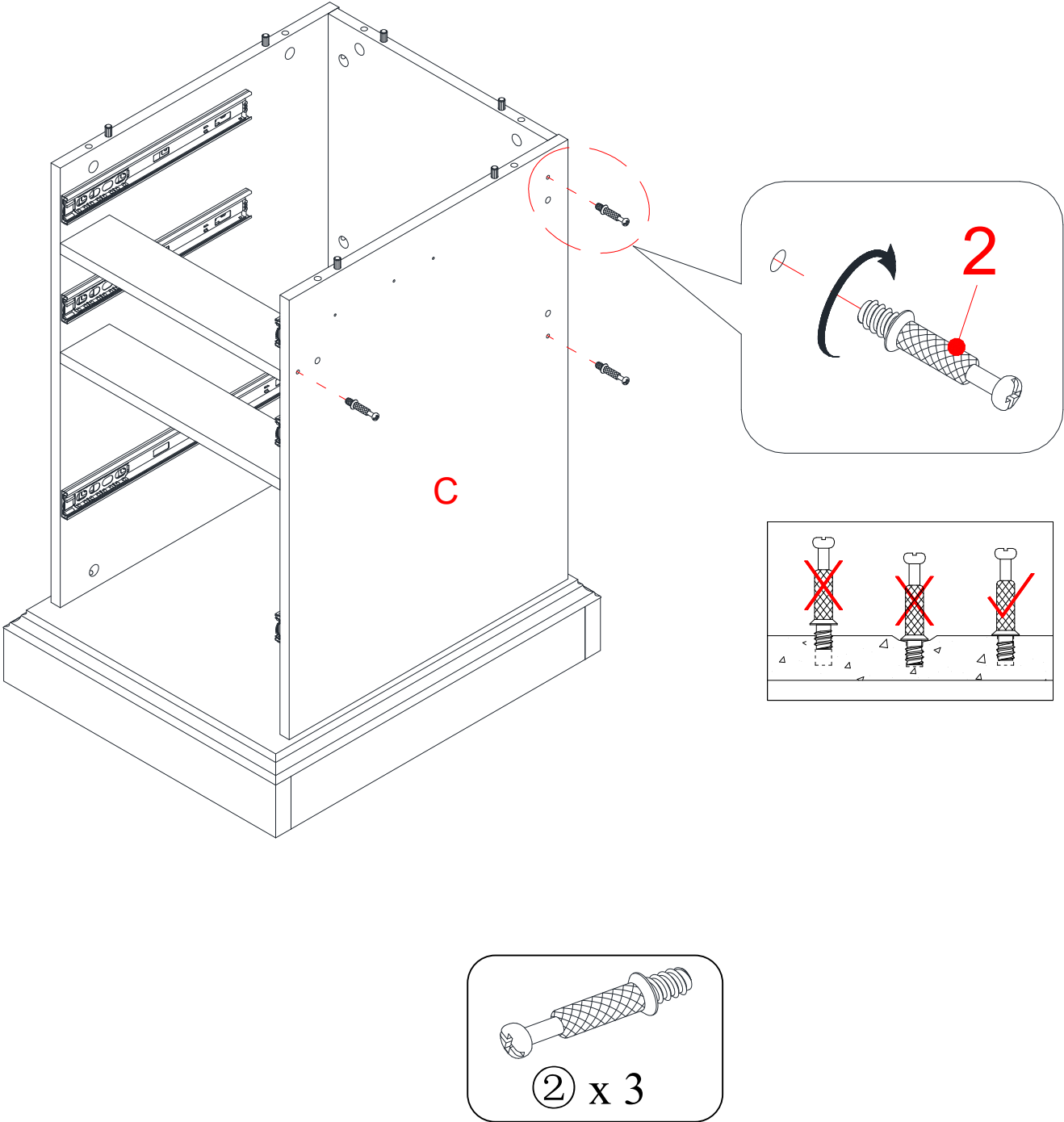
51. Attach the Left Side Panel (B) to the Left Back Panel (D) and Short Crossbars (H) by engaging five Large Cam Locks (1).

Assembly Instructions



52. Attach the previous assembly to the Left Bottom Panel (E) with six Large Cam Locks (1).

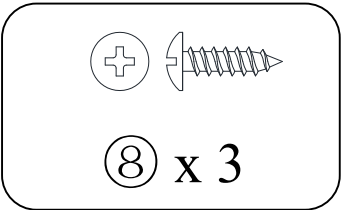
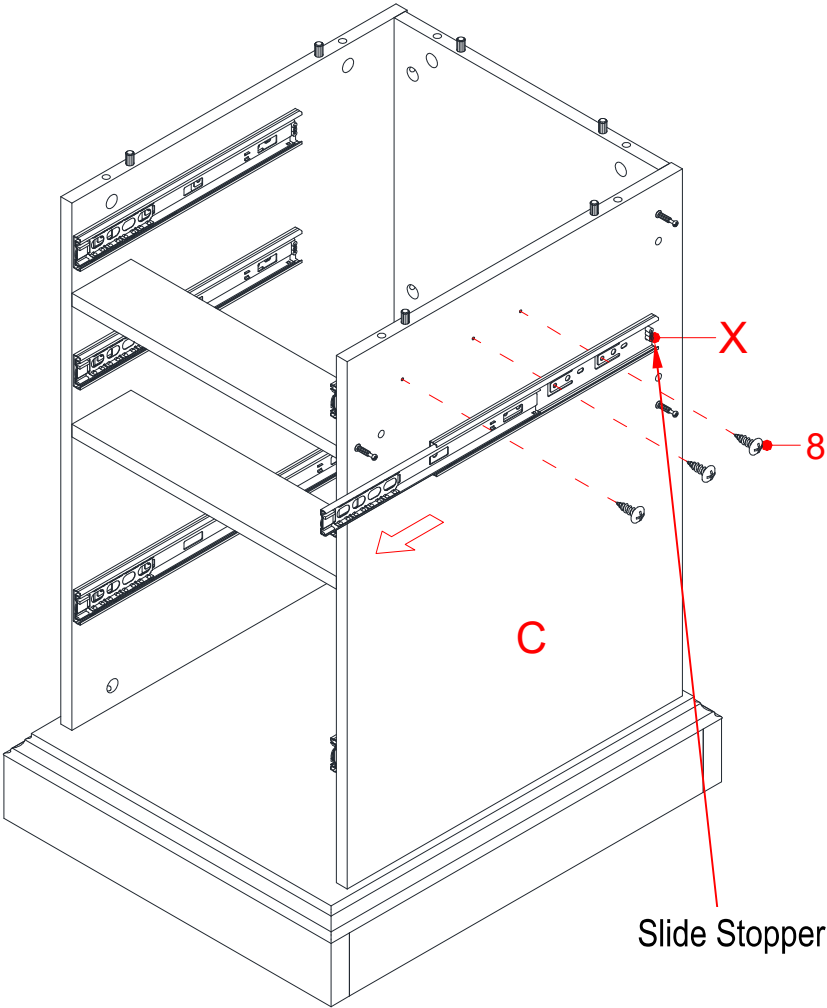
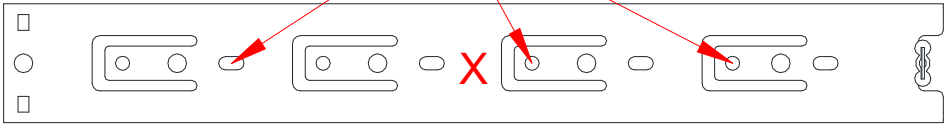
Assembly Instructions



53. Screw three Cam Bolts (2) into the designated small holes on the outer side of Partition Panel (C).

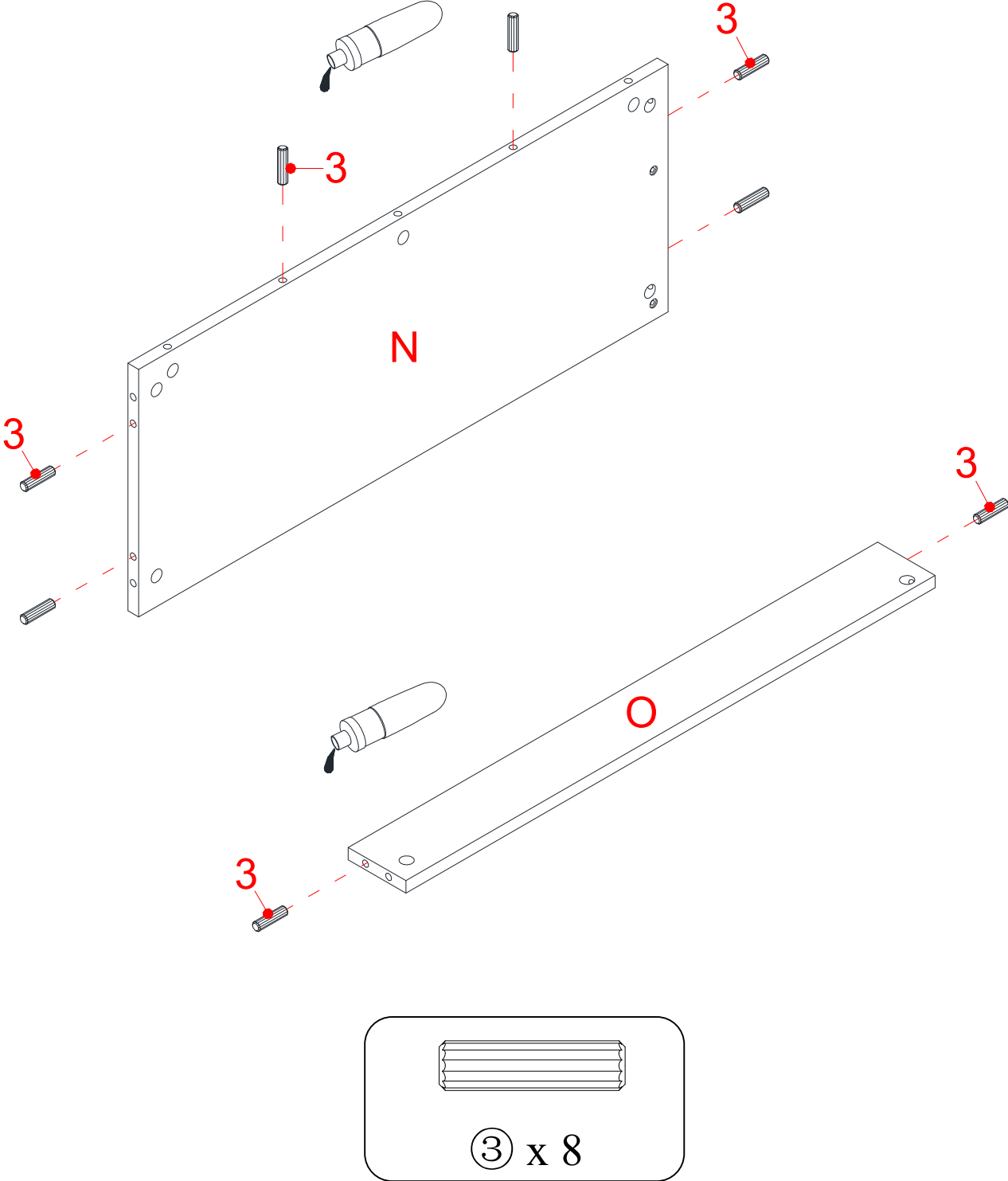
Assembly Instructions

Mounting holes



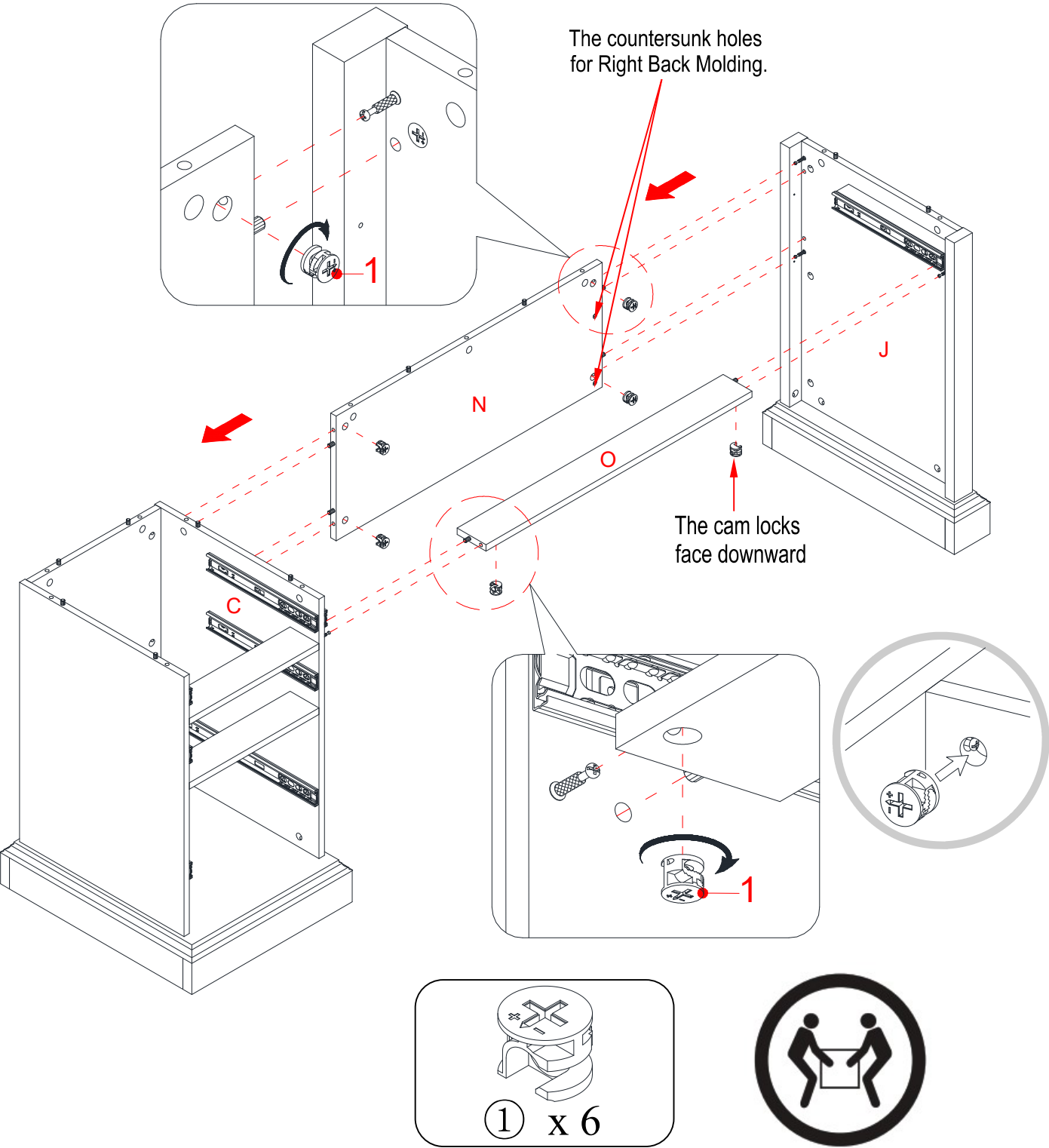
54. Using the pilot holes as a guide, attach the separated 12” Slide Tracks (X) to the Partition Panel (C) with three 12 mm Screws (8).

Assembly Instructions



55. Glue the Large Wood Dowels (3) into the inner holes of the Modesty Panel (N) and Long Crossbar (O) as shown.

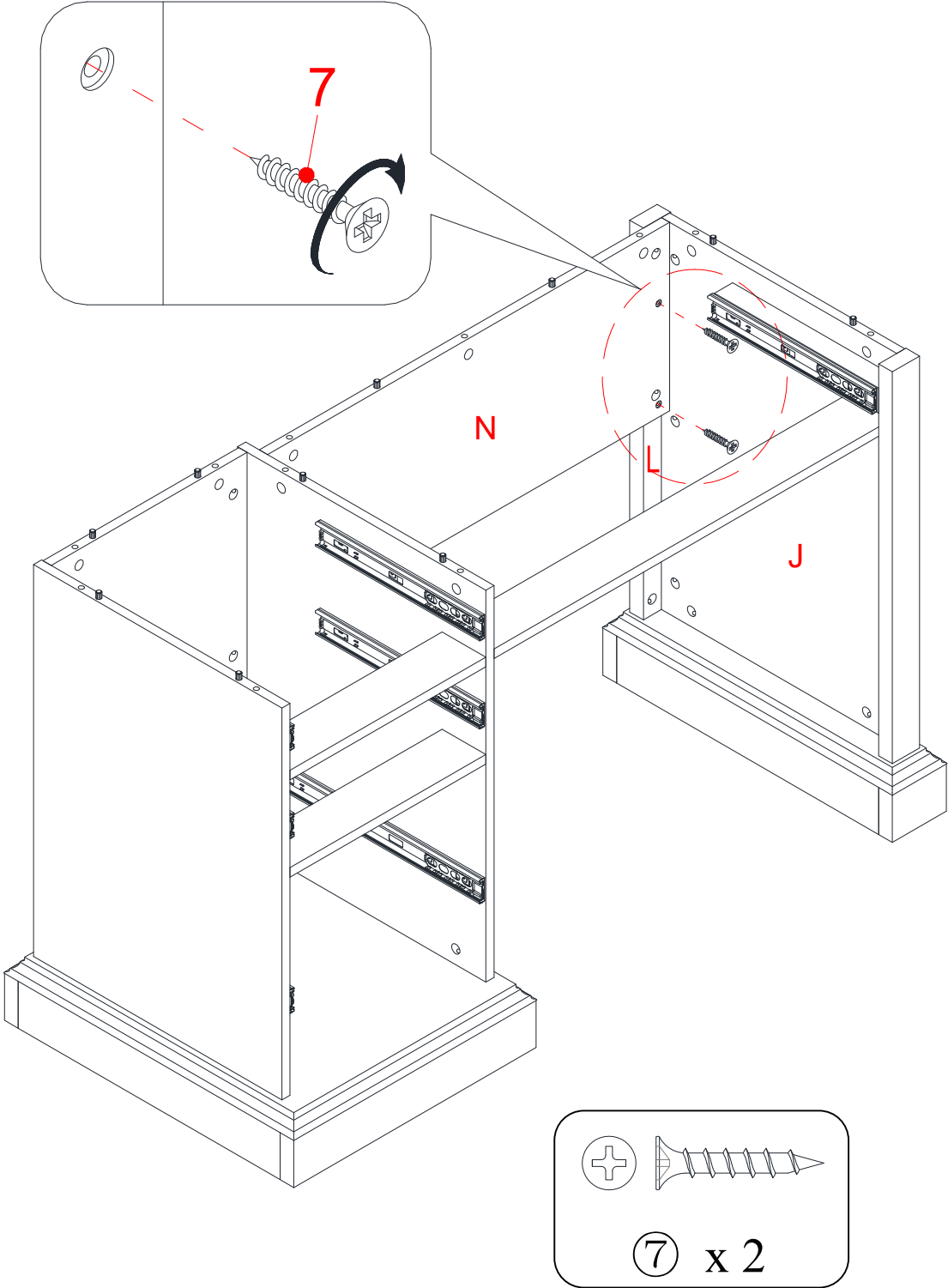
Assembly Instructions



56. Attach the Modesty Panel (N) and Long Crossbar (O) to the Partition Panel (C) with three Large Cam Locks (1) as shown.

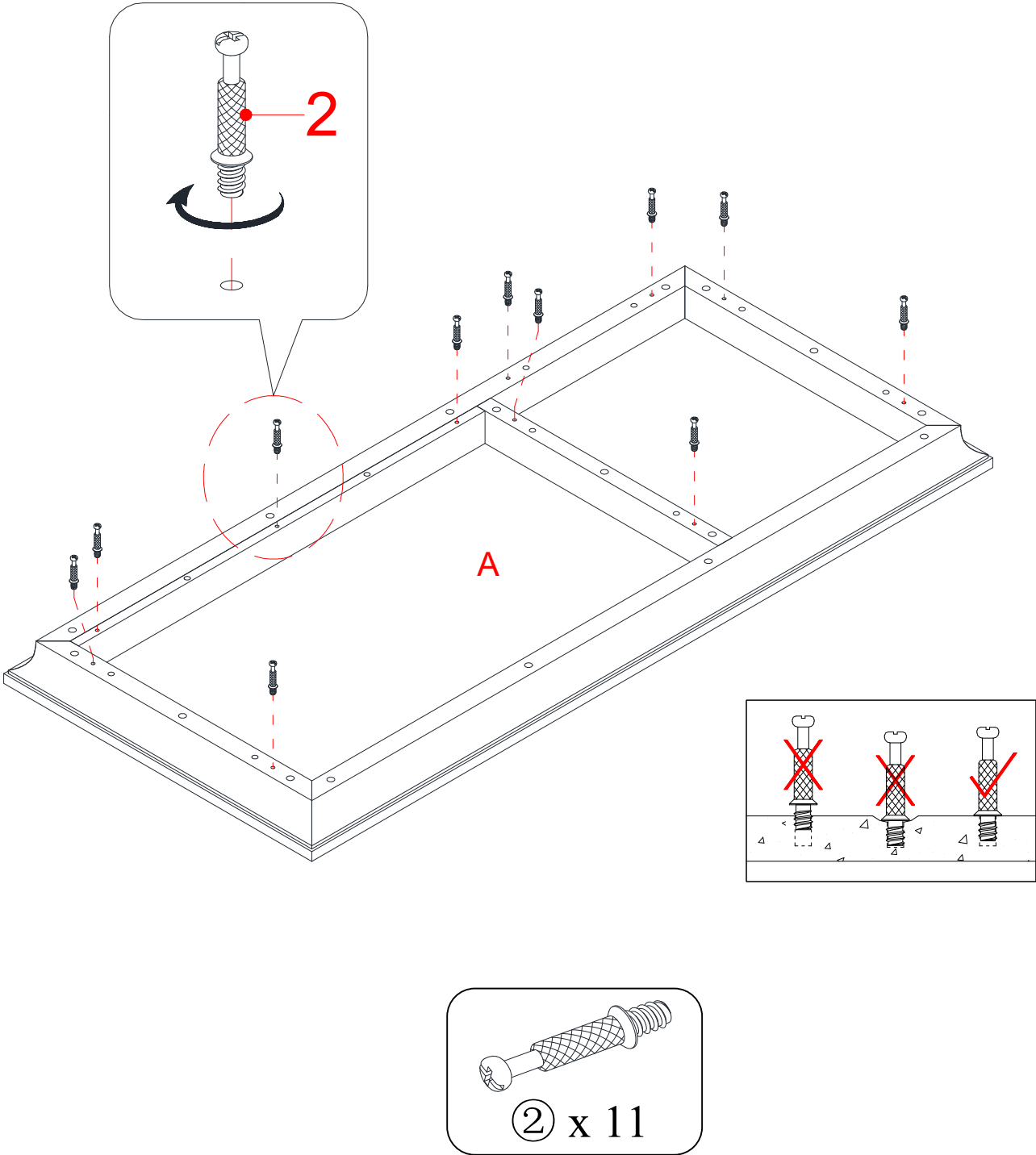
57. Repeat the same procedure to attach the Right Side Panel (J) at the opposite end.

Assembly Instructions



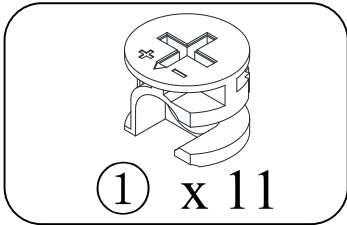
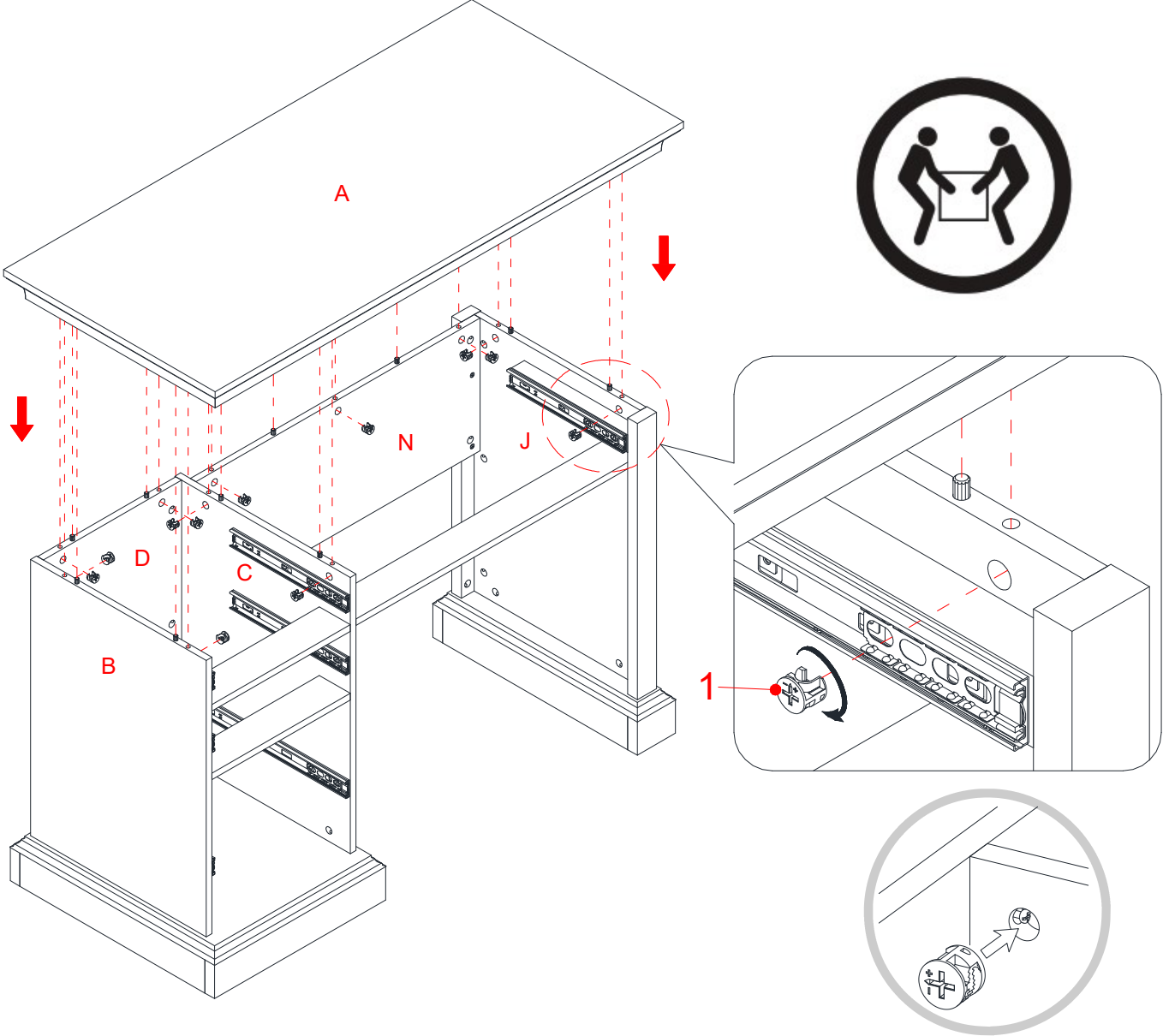
58. Fasten the Modesty Panel (N) to the Back Molding (L) with two 25 mm Screws (7).

Assembly Instructions



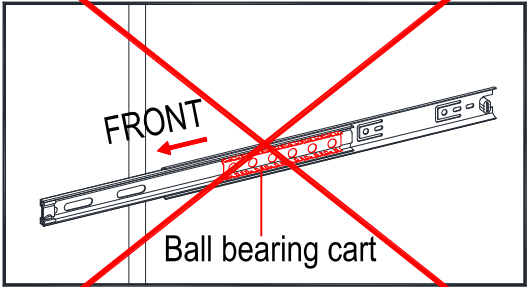
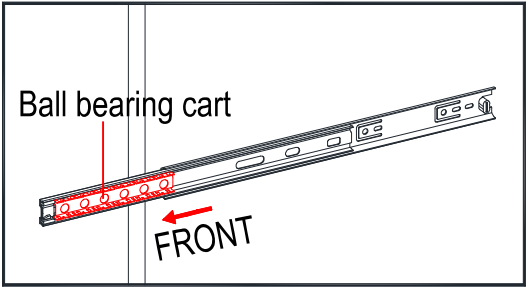
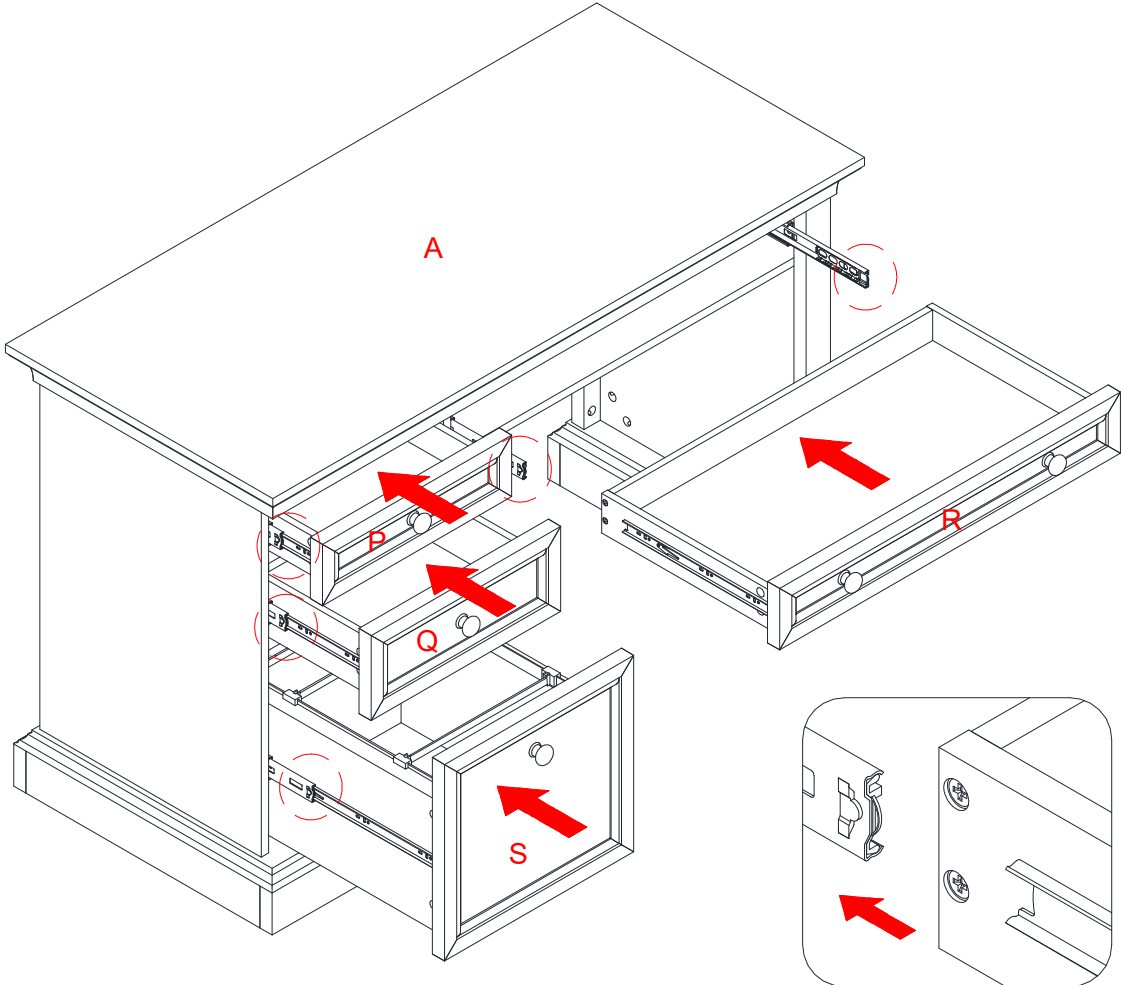
59. Securely screw the Cam Bolts (2) into the designated small holes on the Top Panel (A).

Assembly Instructions



60. Place the Top Panel (A) onto the inserted Large Wood Dowels (3) on the vertical panels properly and fasten it in place by engaging eleven Large Cam Locks (1).

Assembly Instructions

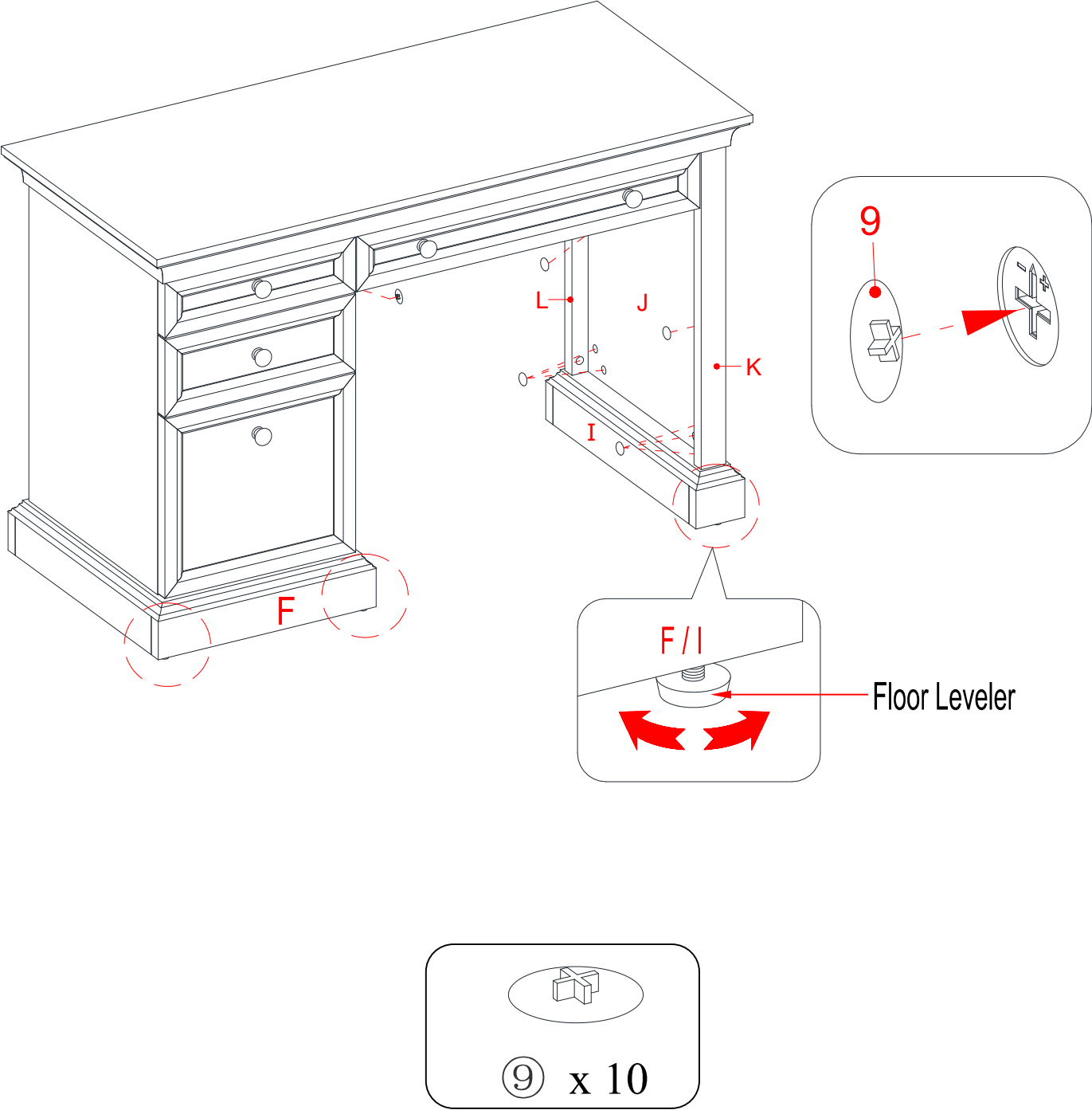


Drawer Installation

61. Insert the assembled drawers into the frame. Extend the Ball Bearing Slide Tracks on the unit all the way forward (including ball bearing cart). Then align the Slide Runners on the assembled drawers with the Slide Tracks and push the drawer carefully inside until it stops.

NOTE: If the drawer does not go in smoothly, please take it out and repeat the step. If you need to remove the drawer, please pull the drawer all the way out, then simultaneously pushes the plastic release lever of the ball bearing slides up on one side and down on the other side, and then pull it completely out.

Assembly Instructions



62. Ask for assistance to position the desk at the desired location. If necessary, adjust the pre-attached floor levelers at the bottom of Right Side Base (I) and Bottom Front Support (F) to correct the tilt.

63. Plug the Cam Lock Covers (9) onto the visible cam locks to conceal the cams.

Care and Maintenance

- Use a soft, clean cloth that will not scratch the surface when dusting.
- Use of furniture polish is not necessary. Should you choose to use polish, test first in an inconspicuous area.
- Using solvents of any kind on your furniture may damage your furniture's finish.
- Never use water to clean your furniture as it may cause damage to the finish.
- Always use coasters under beverage glasses and flowerpots.
- Liquid spills should be removed immediately. Using a soft, clean cloth, blot the spill gently. Avoid rubbing.
- Always use protective pads under hot dishes and plates. Heat can cause chemical changes that may create spotting within the furniture finish.
- In the event that your furniture is stained or otherwise damaged during use, we recommend that you call a professional to repair your furniture.
- Check bolts/screws periodically and tighten them if necessary.

Further Advice about Wood Furniture Care

It is best to keep your furniture in a climate-controlled environment. Extreme temperature and humidity changes can cause fading, warping, shrinking and splitting of wood. It is advised to keep furniture away from direct sunlight as sun may damage the finish.

Proper care and cleaning at home will extend the life of your purchase. Following these important and helpful tips will enhance your furniture as it ages.

A touch-up pen has been provided to minimize the small nicks or scratches that may occur during assembly or shipping.

We hope you enjoy your purchase for many years.
Thank you for your purchase!

QUALITY GUARANTEE

We are confident that you will be delighted with your Whalen Furniture purchase.

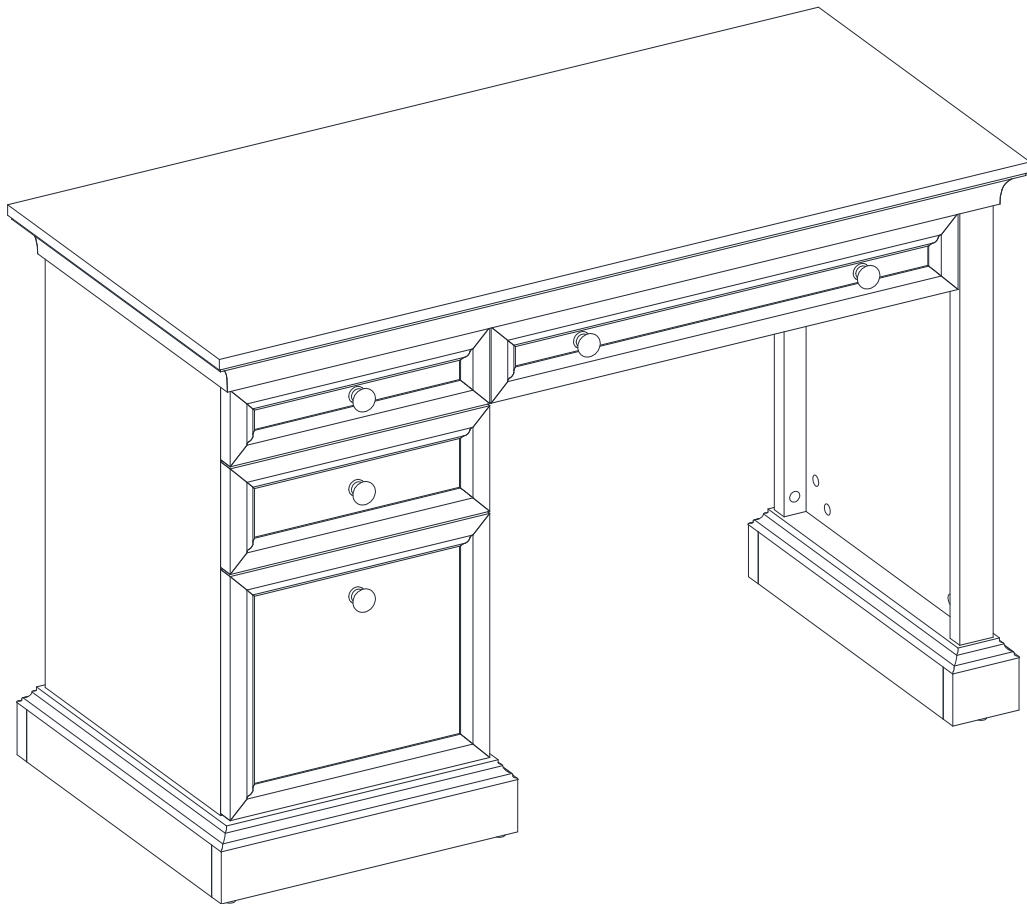
Should this product be defective in workmanship or materials or fail under normal use, we will repair or replace it for up to one (1) year from date of purchase. Every Whalen Furniture product is designed to meet your highest expectations. We guarantee that you will immediately see the value of our fine furniture.

This warranty gives you specific legal rights and you may also have other rights which vary from State to State.

Whalen Furniture Manufacturing
1578 Air Wing Road, San Diego CA, 92154, USA
Customer Service: 866-942-5362
8:30 a.m. - 4:30 p.m., PST, Monday to Friday
www.whalenstyle.com

Escritorio Ejecutivo Canton

Modelo # BHS036158813001 Espresso
BHS036158813002 Natural



ENSAMBLE REQUERIDO POR ADULTO

Si tienen alguna pregunta acerca del ensamble o si alguna parte está faltante, no retorne este producto a la tienda donde lo compró. Por favor llame a nuestro departamento de ayuda al cliente teniendo su instructivo y lista de partes para proveer el modelo, nombre de parte o el número de fábrica:

866-942-5362

Hora Estándar del Pacífico: 8:30 a.m. - 4:30 p.m., de Lunes a Viernes
O visite nuestra página de Internet 24 horas al día, 7 días a la semana para asistencia

www.whalenstyle.com

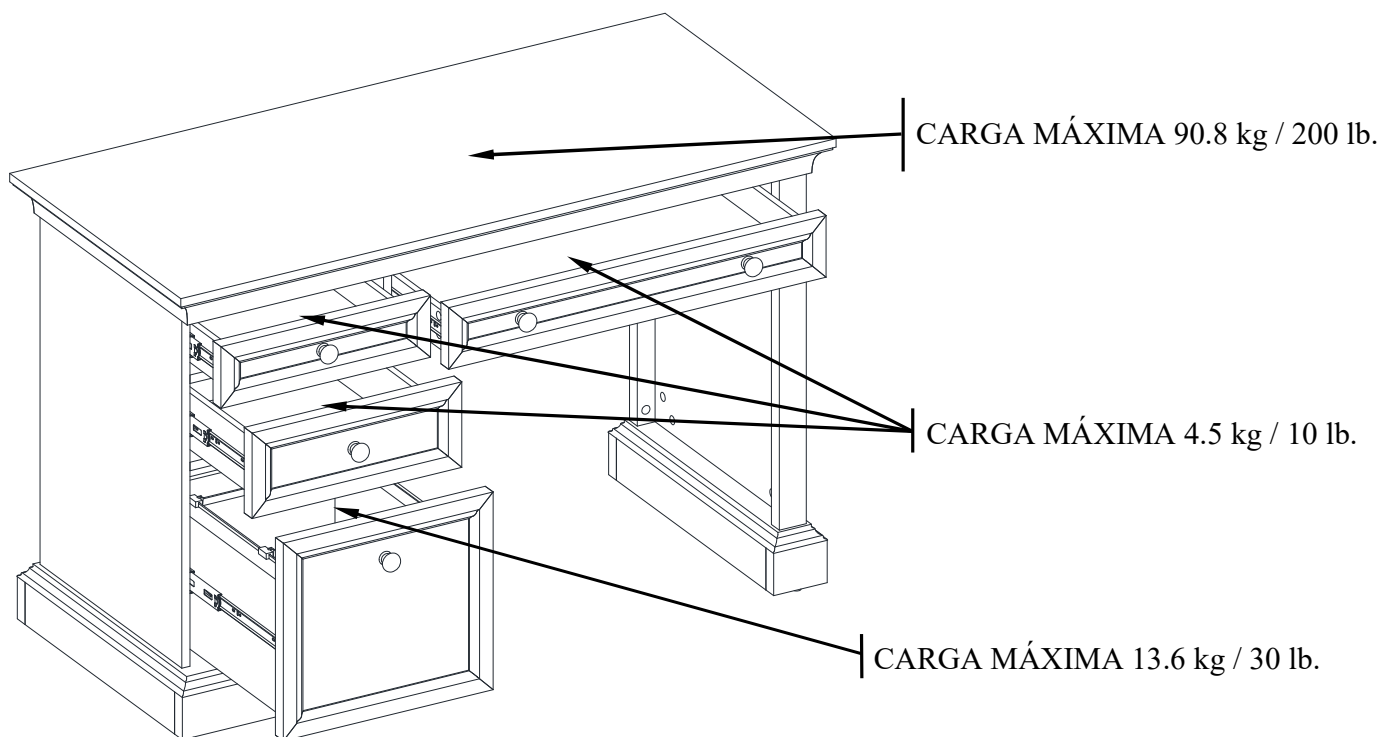
O mande un correo electrónico a **parts@whalenfurniture.com**

**ESTE INSTRUCTIVO CONTIENE INFORMACION IMPORTANTE DE SEGURIDAD.
POR FAVOR LEA Y MANTENGA PARA USO FUTURO.**

Fecha 2020-04-15 Rev. 0001-A

MÁXIMO PESO RECOMENDADO

FABRICANTE: Whalen Furniture Manufacturing
CATALOGO : Escritorio Ejecutivo Canton
MODELO # BHS036158813001 / BHS036158813002



ESTA UNIDAD DEBE UTILIZARSE CON LOS PESOS MÁXIMOS INDICADOS. SI SE EXCEDE EL PESO MÁXIMO, PODRÍA RESULTAR EN UNA INESTABILIDAD DE LA UNIDAD CAUSANDO POSIBLES LESIONES.

NOTA ESPECIAL

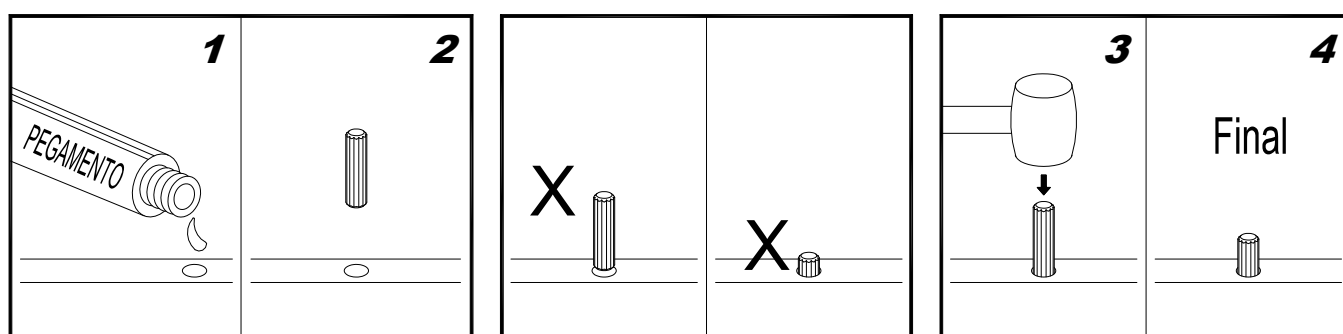
Lea atentamente toda la hoja de instrucciones antes de comenzar el montaje. Antes de deshacerse del empaque compruebe que no ha olvidado nada en su interior. Quite cualquier grapa o accesorio fijado al cartón antes de tirarlo. Una vez apartadas las piezas, sepárelas en grupos como se indica en la lista. Cerciérese de que tiene todas las piezas antes de comenzar el ensamblaje. No se recomienda utilizar herramientas muy potentes para ensamblar este mueble.

IMPORTANTE

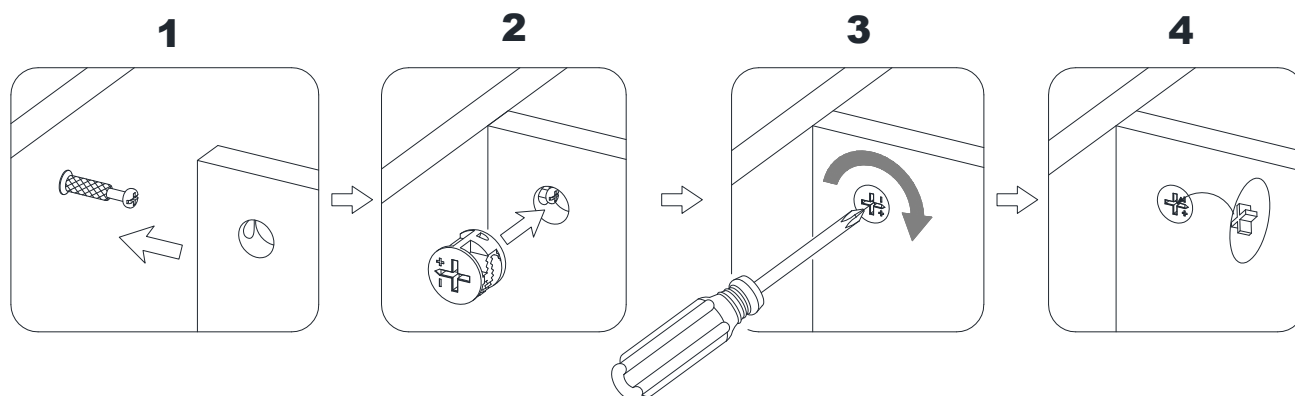
Antes de comenzar: Abra, identifique y cuente todas las partes antes del ensamble. Coloque las piezas sobre una superficie plana y no abrasiva. Tendrá que las partes identificadas en la página 4, 5 y 6 de este manual de instrucciones.

NOTA: ES MUY IMPORTANTE PARA EL USO DE PEGAMENTO CON LAS CLAVIJAS DE MADERA. EL EXCESO DE PEGAMENTO SE PUEDE LIMPIAR CON UN PAÑO HÚMEDO.

Inserte la clavija por lo menos a la mitad del camino golpeando ligeramente con un mazo de pegamento, SI ES NECESARIO.



SISTEMA DE OPERACIÓN DE TUERCA DE FIJACIÓN



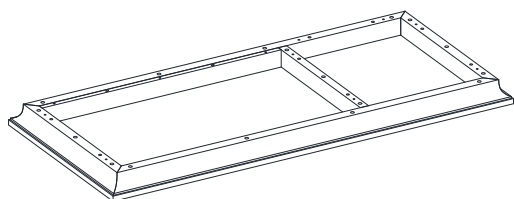
CÓMO FUNCIONA LA INSTALACIÓN DE MONTAJE (KD)

1. Fijar los pernos de fijación en los orificios pequeños. Conectar ambos paneles, cerciorandose que los pernos de fijación entren bien y que estos queden en los orificios al final del panel con tuercas de fijación.
2. Inserte las tuercas de fijación en los orificios grandes del panel. Hacer que la flecha en la tuerca este apuntando hacia la entrada del perno de fijación.
3. Una vez que el perno este conectado dentro, tome un destornillador de cruz y apriete la tuerca en dirección de las manecillas del reloj.
4. Coloque la tapa de la tuerca de fijación sobre la misma en la ranura de cruz, ver detalle.

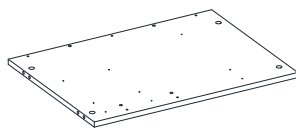
Está listo para el ensamble KD de esta unidad.

Lista de partes y material de ferretería

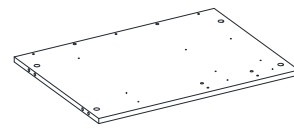
Por favor lea completamente las instrucciones y verifique que estén todas las partes y partes de ferretería antes de iniciar el ensamblado.



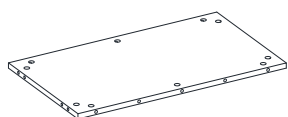
A- Panel superior (Cant. 1)



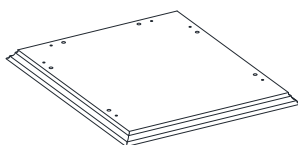
B- Panel Izquierdo (Cant. 1)



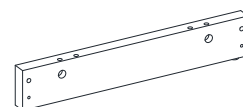
C- Panel divisor (Cant. 1)



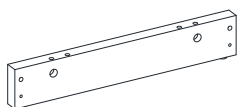
D- Panel izquierdo posterior (Cant. 1)



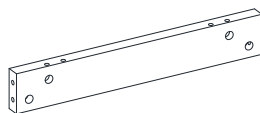
E- Panel izquierdo inferior (Cant. 1)



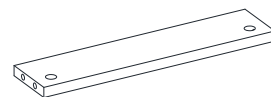
F- Soporte inferior frontal (Cant. 1)



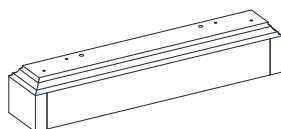
F1- Soporte inferior posterior (Cant. 1)



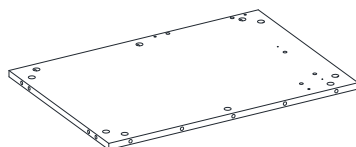
G- Soporte inferior lateral (Cant. 2)



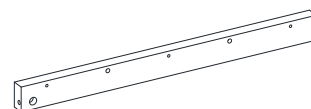
H- Soporte corto (Cant. 2)



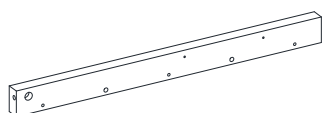
I- Base derecha (Cant. 1)



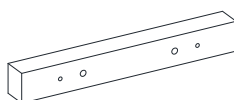
J- Panel derecho (Cant. 1)



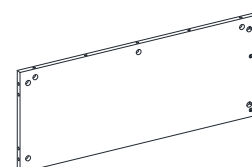
K- Moldura frontal (Cant. 1)



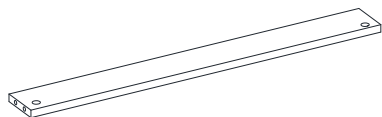
L- Moldura posterior (Cant. 1)



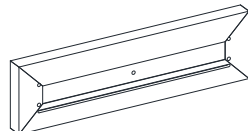
M- Soporte de deslizadera (Cant. 1)



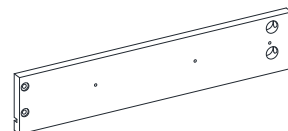
N- Panel de modestia (Cant. 1)



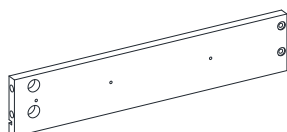
O- Soporte largo
(Cant. 1)



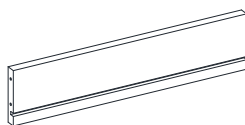
P- Frente del cajón izquierdo superior
(Cant. 1)



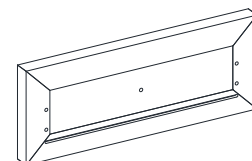
P1- Lado izquierdo del cajón superior
(Cant. 2)



P2- Lado derecho del cajón superior
(Cant. 2)



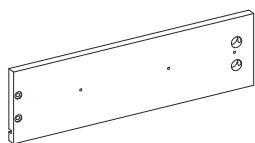
P3- Panel posterior del cajón izquierdo superior
(Cant. 1)



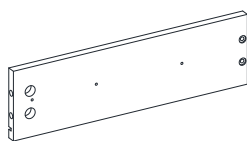
Q- Frente del cajón medio
(Cant. 1)

Lista de partes y material de ferretería

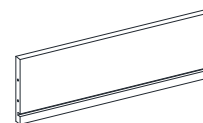
Por favor lea completamente las instrucciones y verifique que estén todas las partes y partes de ferretería antes de iniciar el ensamblado.



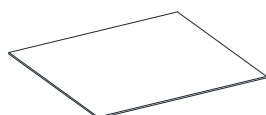
Q1- Lado izquierdo del cajón medio
(Cant. 1)



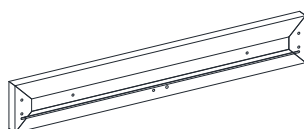
Q2- Lado derecho del cajón medio
(Cant. 1)



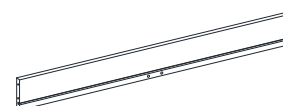
Q3- Panel posterior del cajón medio
(Cant. 1)



Q4- Panel inferior del cajón izquierdo
(Cant. 2)



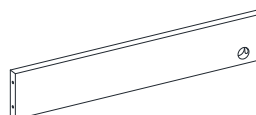
R- Frente del cajón derecho superior
(Cant. 1)



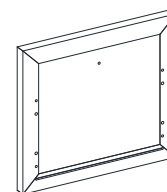
R1- Panel posterior del cajón derecho superior
(Cant. 1)



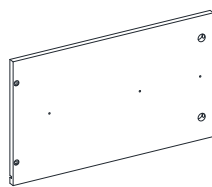
R2- Panel inferior del cajón derecho superior
(Cant. 1)



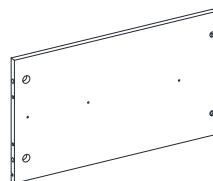
R3- Soporte inferior del cajón derecho superior
(Cant. 1)



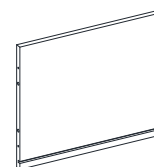
S- Frente del cajón archivero
(Cant. 1)



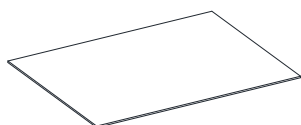
S1- Lado izquierdo del cajón archivero
(Cant. 1)



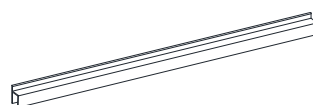
S2- Lado derecho del cajón archivero
(Cant. 1)



S3- Panel posterior del cajón archivero
(Cant. 1)



S4- Panel inferior del cajón archivero
(Cant. 1)



T- Riel guía
(Cant. 2)



U- Bloque guía
(Cant. 4)



V- Placa de archivos
(Cant. 2)



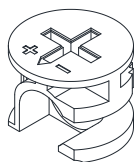
W- Corredera de baleros de 16''
(Cant. 2)



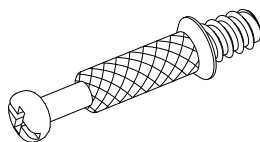
X- Corredera de baleros de 12''
(Cant. 6)

Lista de partes y material de ferretería

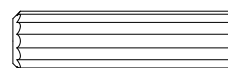
Por favor lea completamente las instrucciones y verifique que estén todas las partes y partes de ferretería antes de iniciar el ensamblado.



(1) Tuerca de fijación grande
(Cant. 55+2 extra)



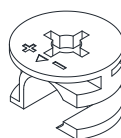
(2) Perno de fijación
(Cant. 72+2 extra)



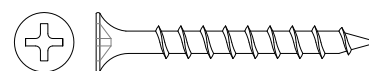
(3) Clavija de madera grande M8 x 30 mm
(Cant. 50+2 extra)



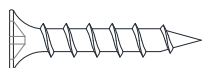
(4) Clavija de madera pequeña de M6 x 30 mm
(Cant. 9+1 extra)



(5) Tuerca de fijación pequeña
(Cant. 17+1 extra)



(6) Perno de M4 x 38 mm
(Cant. 20+1 extra)



(7) Perno de M4 x 25 mm
(Cant. 2+1 extra)



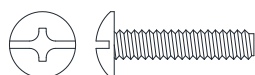
(8) Perno de M3.5 x 12 mm
(Cant. 48+2 extra)



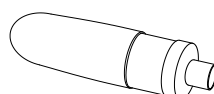
(9) Tapa de la tuerca de fijación
(Cant. 10+1 extra)



(10) Jaladera
(Cant. 5)



(11) Perno de 19 mm
(Cant. 5+1 extra)



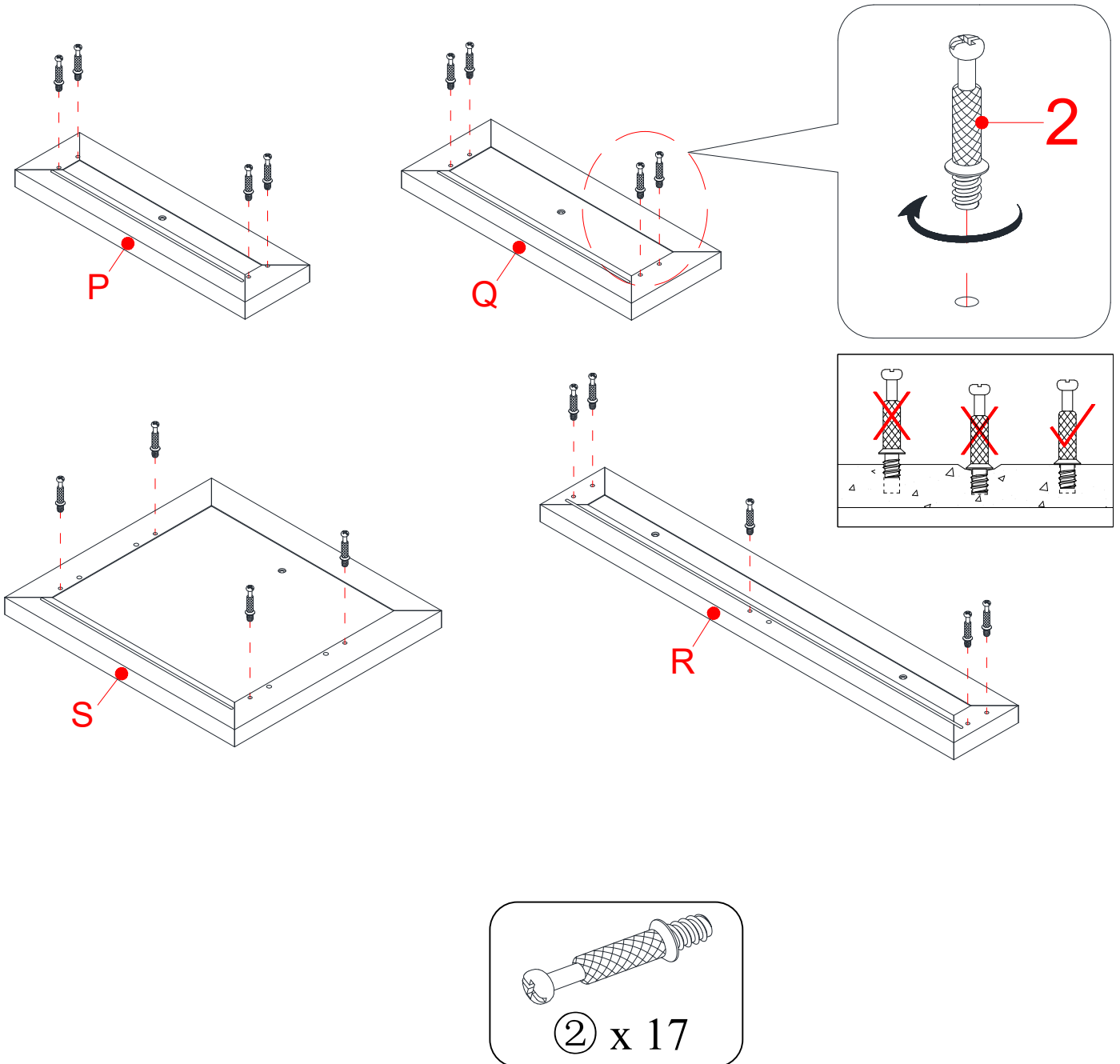
Pegamento
(Cant. 2)



Plumón de retoque (Cant. 1)
(Usar únicamente para BHS0025004001)

Herramientas requeridas: Desarmador estrella y mazo (no proveído).

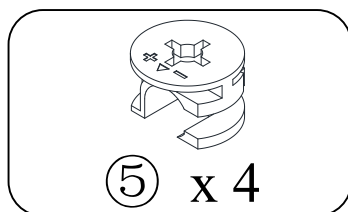
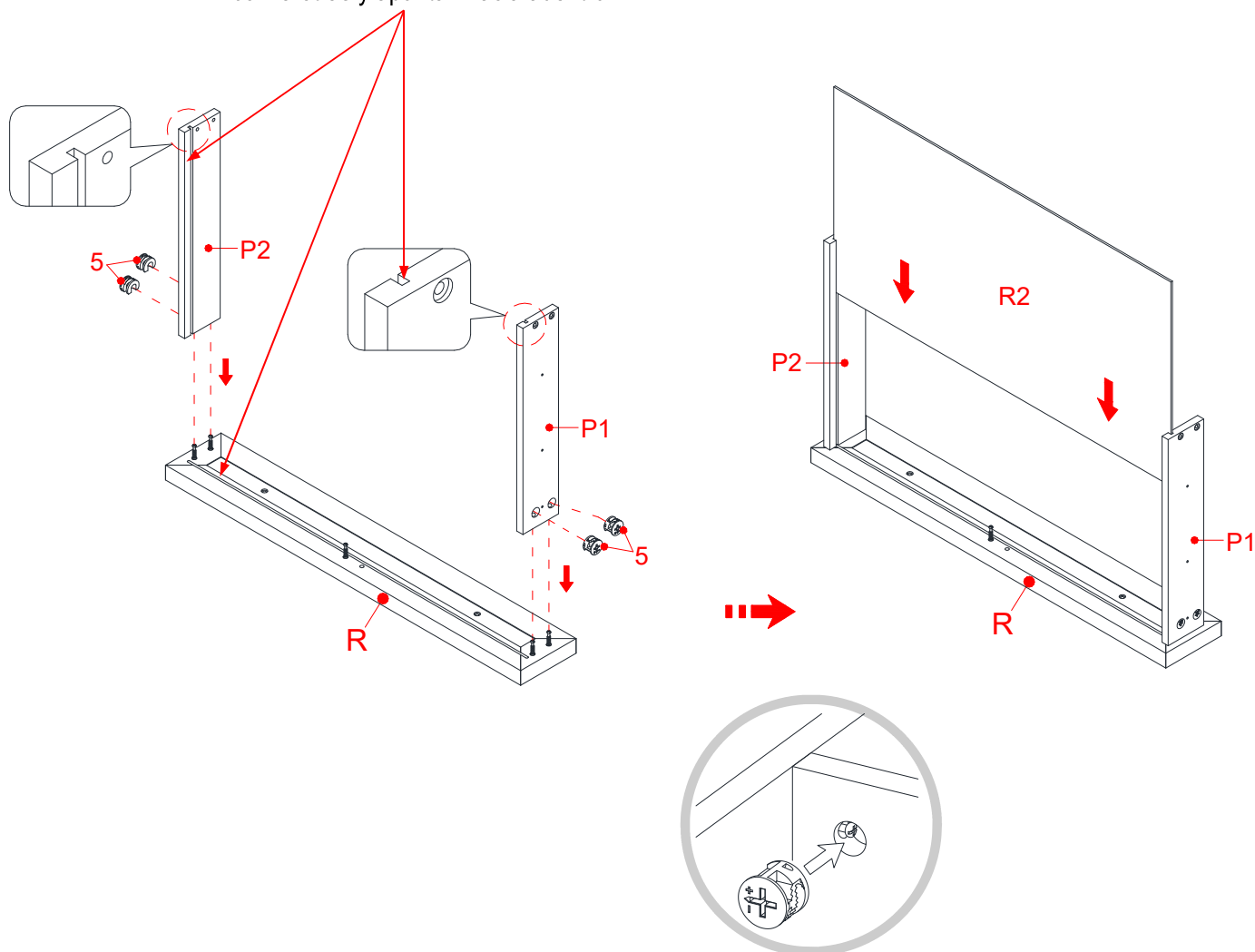
Instrucciones de ensamble



1. Desempacar la unidad y confirmar que se tiene todo el material de ferretería y partes requeridas. Ensamblar la unidad en un piso alfombrado o en el cartón vacío para evitar rasguños.
2. Atornillar los pernos de fijación (2) en los agujeros chicos designados en los frentes del cajón (P, Q, R y S) usando el desarmador estrella.

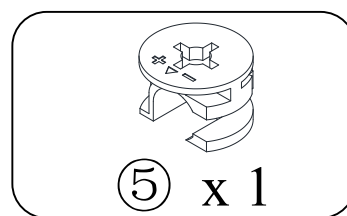
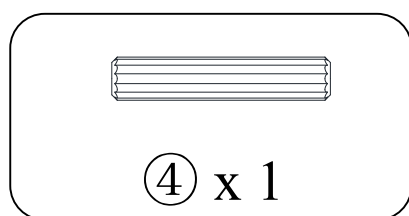
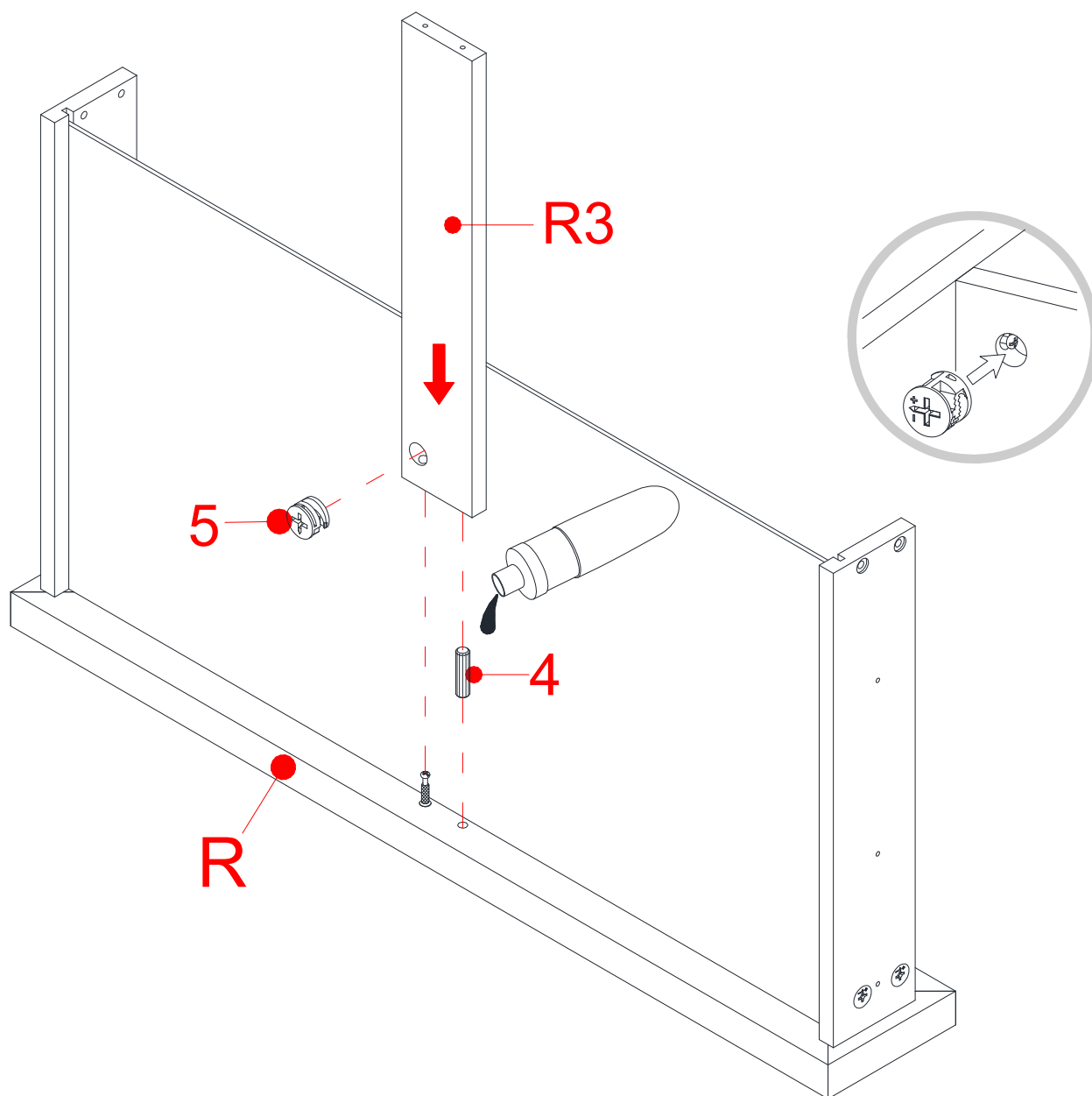
Ensamble del cajón derecho superior

Las ranuras se alinean las unas con la otras y apuntan hacia adentro



3. Sujetar el panel izquierdo y derecho del cajón superior (P1 y P2) al frente del cajón derecho superior (R) empleando 4 tuercas de fijación pequeñas (5). (Consulte la página 3 del sistema de tuerca de fijación).
4. Deslizar el panel inferior del cajón derecho superior (R2) en las ranuras en el panel izquierdo y derecho del cajón superior (P1 y P2) hasta que esté completamente insertado en el frente del cajón derecho superior (R).

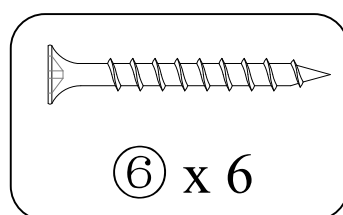
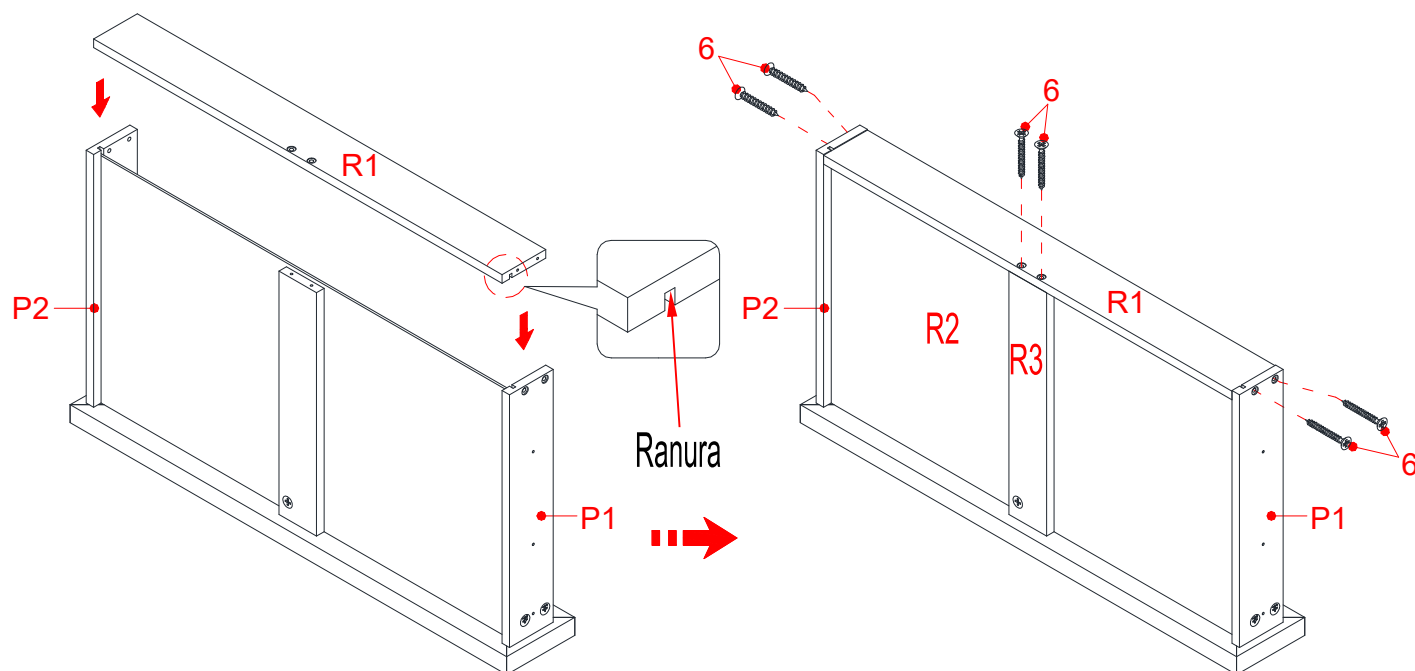
Ensamble del cajón derecho superior



5. Sujetar el soporte inferior del cajón derecho superior (R3) al frente del cajón derecho superior (R) con una tuerca de fijación pequeña (5) y una clavija de madera pequeña de 30 mm (4). Asegurar de usar una pequeña de pegamento en ambos lados de las clavijas.

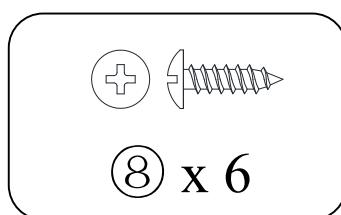
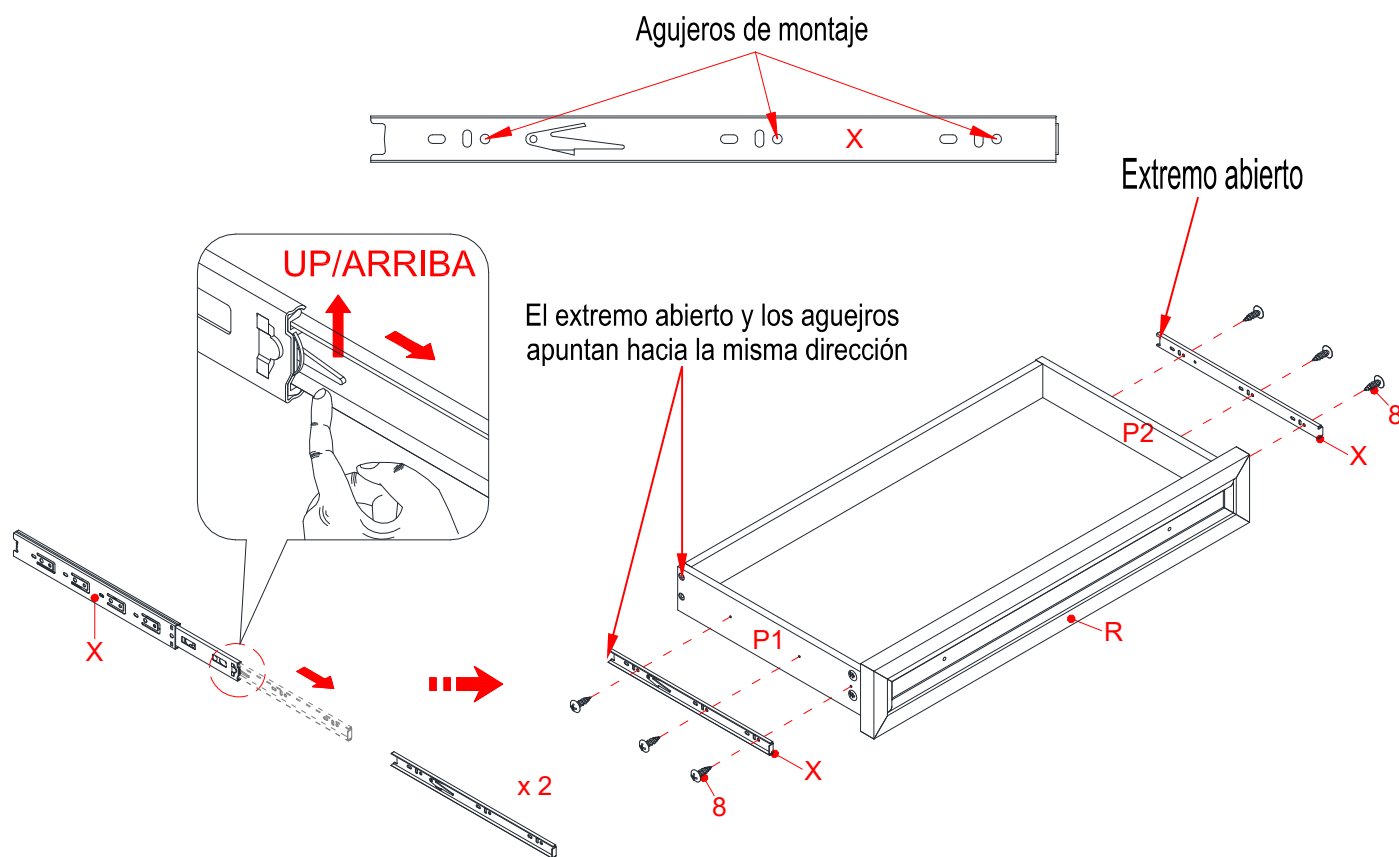
Nota: Usar una cantidad pequeña de pegamento en ambos lados de las clavijas.

Ensamble del cajón derecho superior



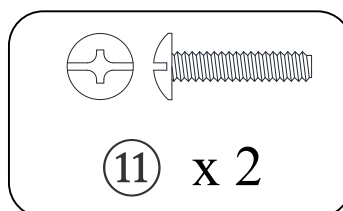
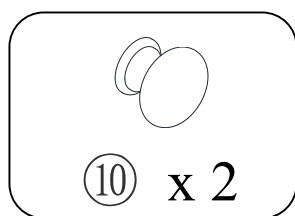
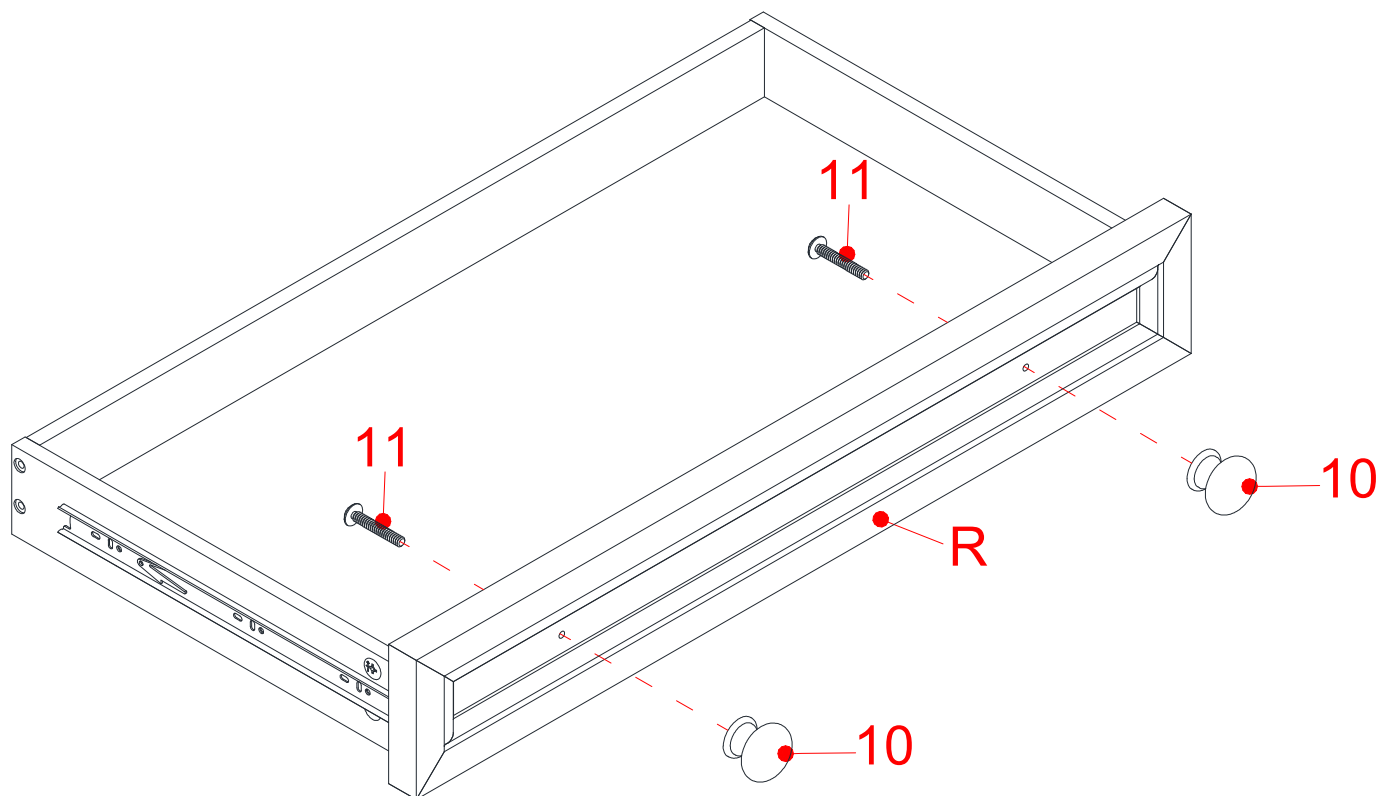
6. Sujetar el panel posterior del cajón derecho superior (R1) al panel izquierdo y derecho del cajón superior (P1 y P2) y al soporte inferior del cajón derecho superior (R3) con 6 pernos de 38 mm (6). Asegurar que el panel inferior del cajón derecho superior (R2) encaje en la ranura del panel posterior del cajón derecho superior (R1). Apretar los pernos con el desarmador estrella.

Ensamble del cajón derecho superior



7. Voltrear el cajón ensamblado en posición vertical.
8. Tomar la corredera de baleros de 12" (X) y separar los complementos de corredera para el paso siguiente. Extender el complemento de corredera todo el camino hacia enfrente. Presionar la palanca de liberación de plástico en las correderas de baleros hacia arriba y jalar los correderos deslizantes todo el camino.
9. Usando los agujeros pilotos como guía, adjuntar los complementos de corredera separados al panel izquierdo y derecho del cajón superior (P1 y P2) con 3 pernos de 12 mm (8) por complemento.

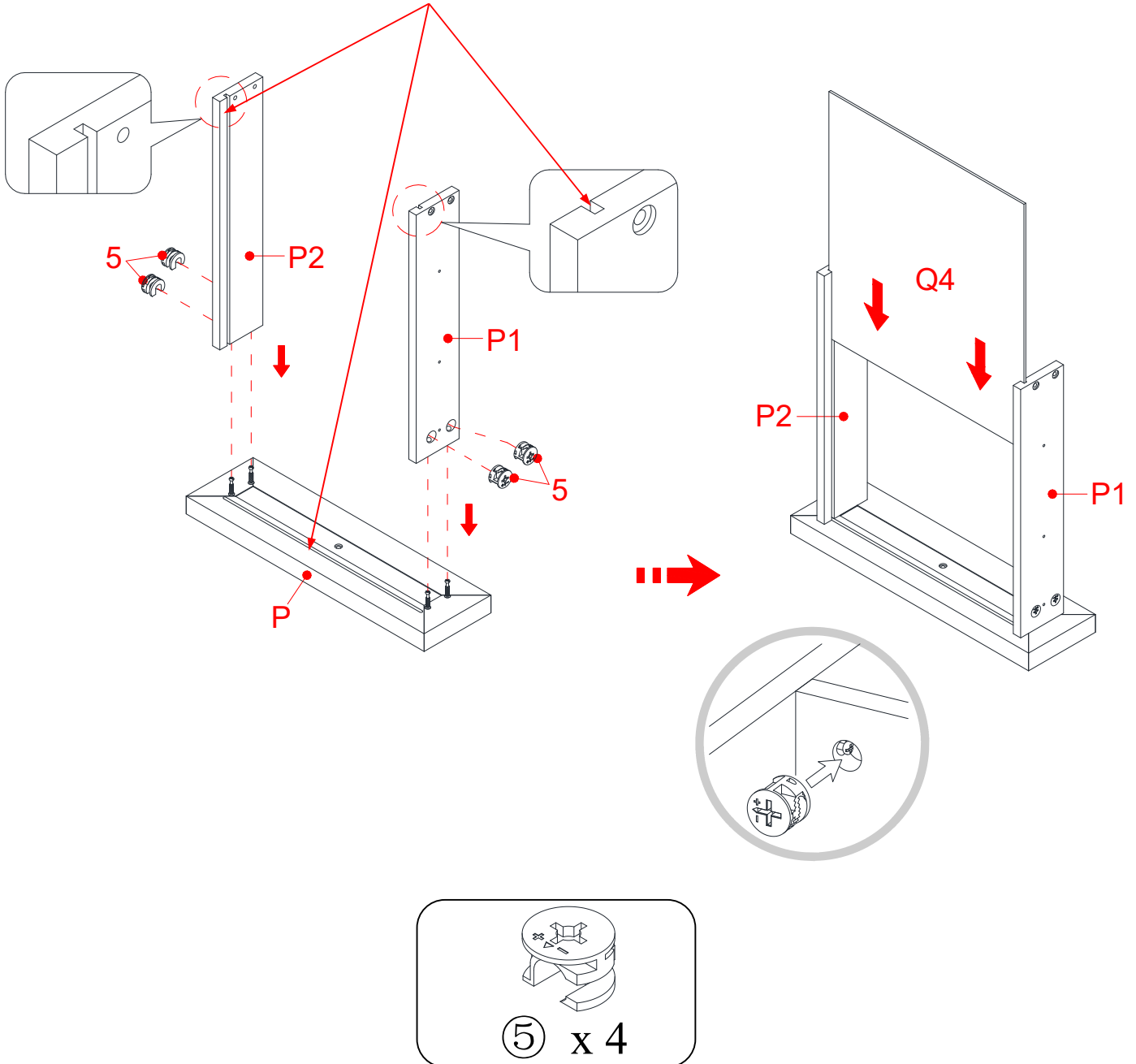
Ensamble del cajón derecho superior



10. Adjuntar 2 jaladeras (10) a la parte exterior del frente del cajón derecho superior (R) con 2 pernos de 19 mm (11).

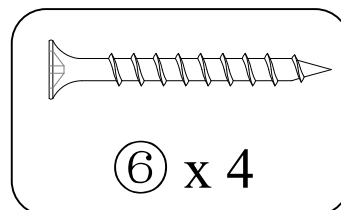
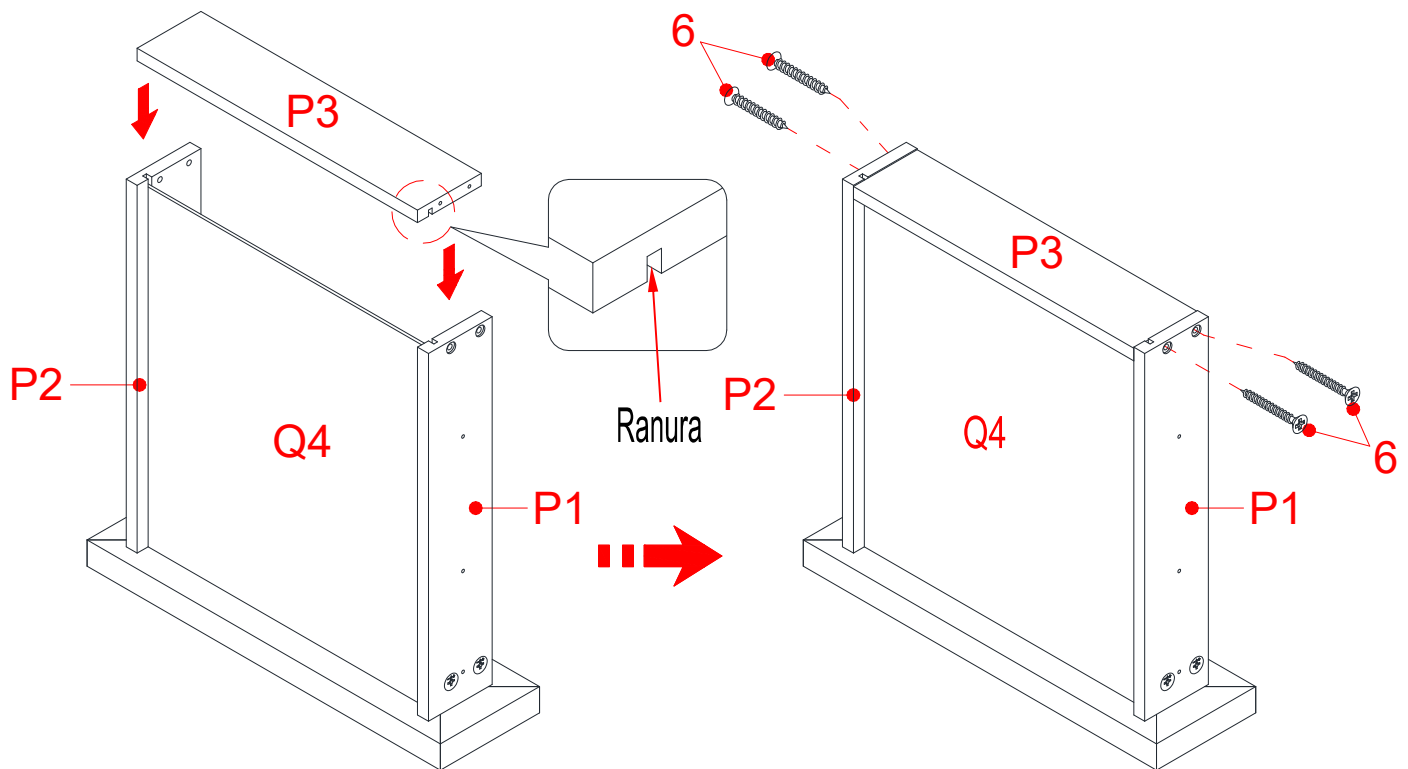
Ensamble del cajón izquierdo superior

Las ranuras se alinean el uno con el otro y apuntan hacia adentro



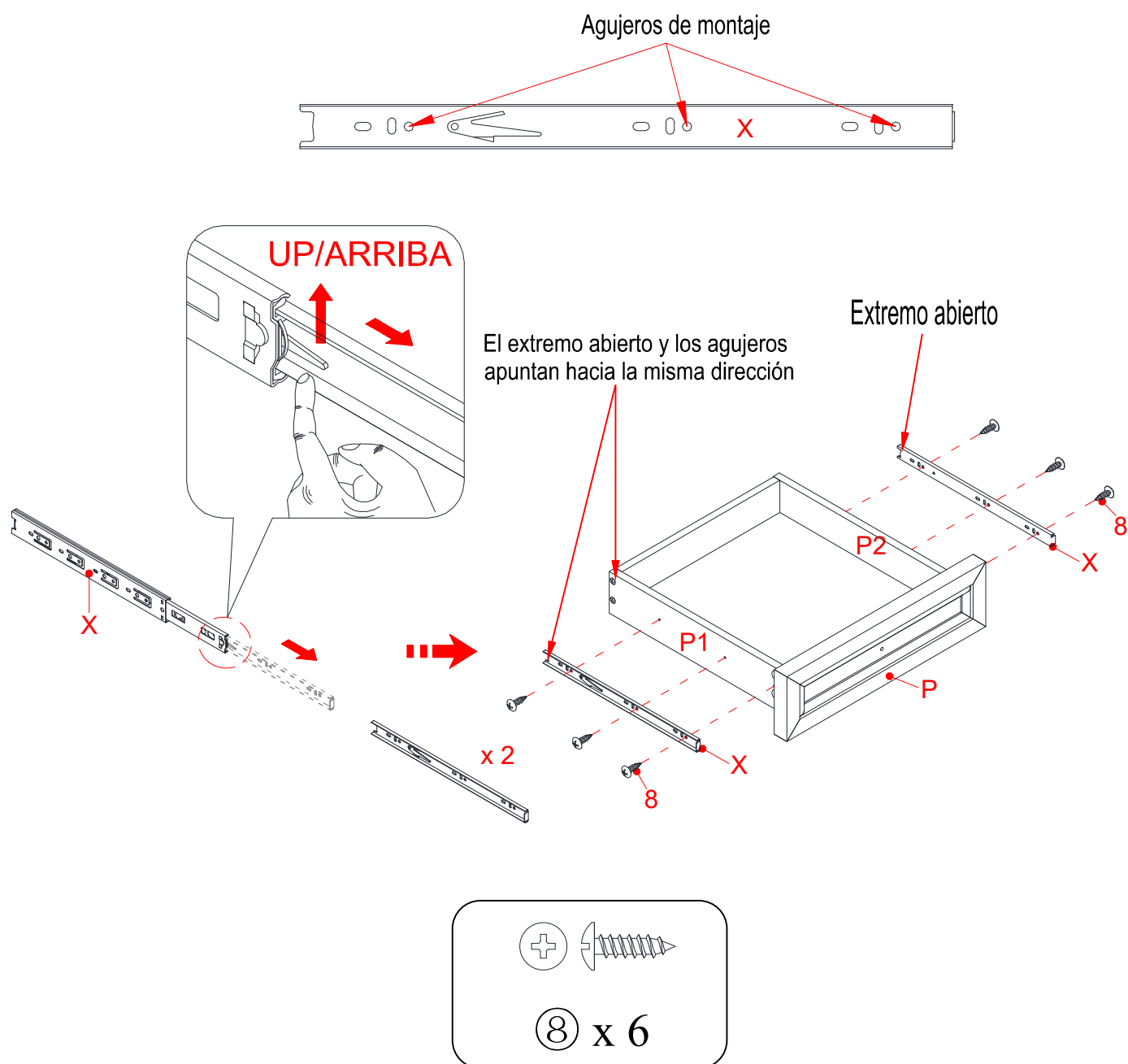
11. Sujetar el panel izquierdo y derecho del cajón superior (P1 y P2) al frente del cajón izquierdo superior (P) empleando 4 tuercas de fijación pequeñas (5).
12. Deslizar el panel inferior del cajón izquierdo superior (Q4) en las ranuras en el panel izquierdo y derecho del cajón superior (P1 y P2) hasta que esté completamente insertado en el frente del cajón izquierdo superior (P).

Ensamble del cajón izquierdo superior



13. Sujetar el panel posterior del cajón izquierdo superior (P3) al panel izquierdo y derecho del cajón superior (P1 y P2)) con 4 pernos de 38 mm (6). Asegurar que el panel inferior del cajón izquierdo superior (Q4) encaje en la ranura del panel posterior del cajón izquierdo superior (P3). Apretar los pernos con el desarmador estrella.

Ensamble del cajón izquierdo superior

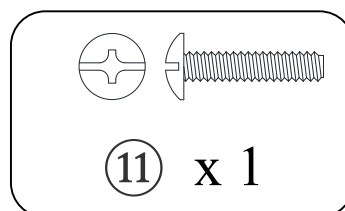
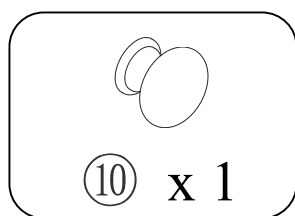
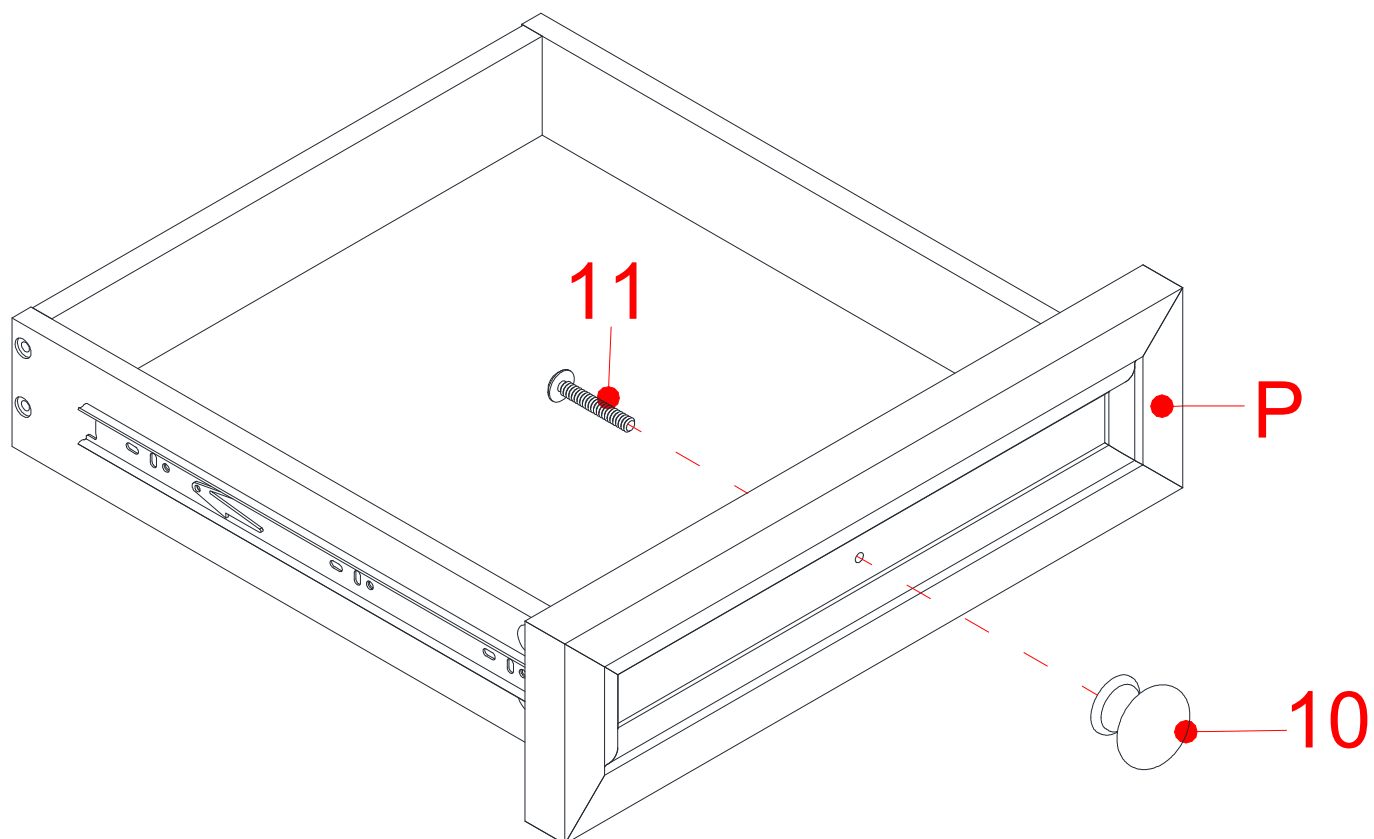


14. Voltrear el cajón ensamblado en posición vertical.

15. Tomar la corredera de baleros de 12" (X) y separar los complementos de corredera para el paso siguiente. Extender el complemento de corredera todo el camino hacia enfrente. Presionar la palanca de liberación de plástico en las correderas de baleros hacia arriba y jalar los correderos deslizantes todo el camino.

16. Usando los agujeros pilotos como guía, adjuntar los complementos de corredera separados al panel izquierdo y derecho del cajón superior (P1 y P2) con 3 pernos de 12 mm (8) por complemento.

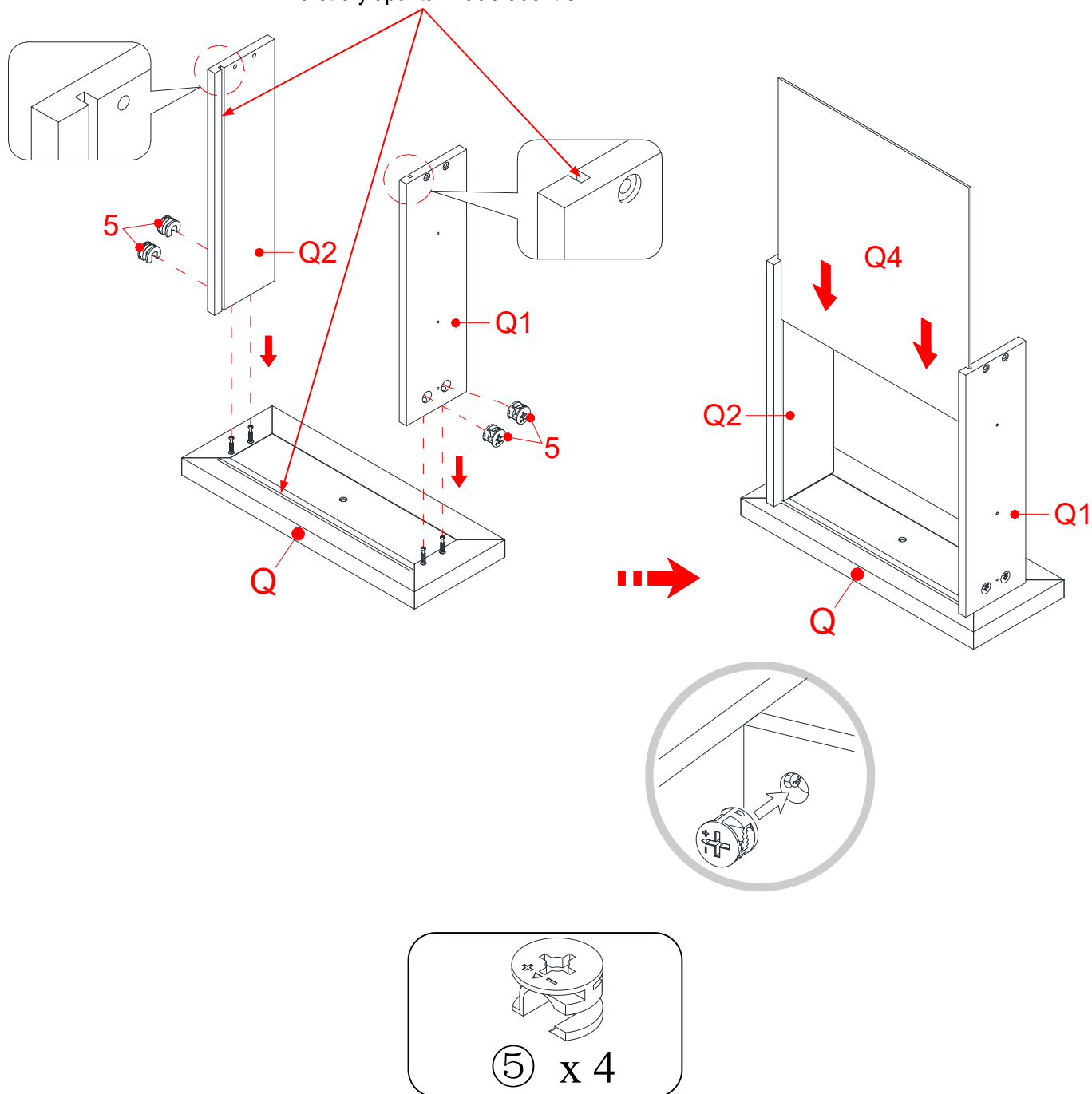
Ensamble del cajón izquierdo superior



17. Adjuntar una jaladera (10) a la parte exterior del frente del cajón izquierdo superior (P) con un perno de 19 mm (11).

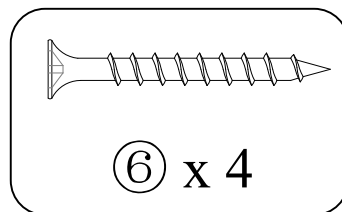
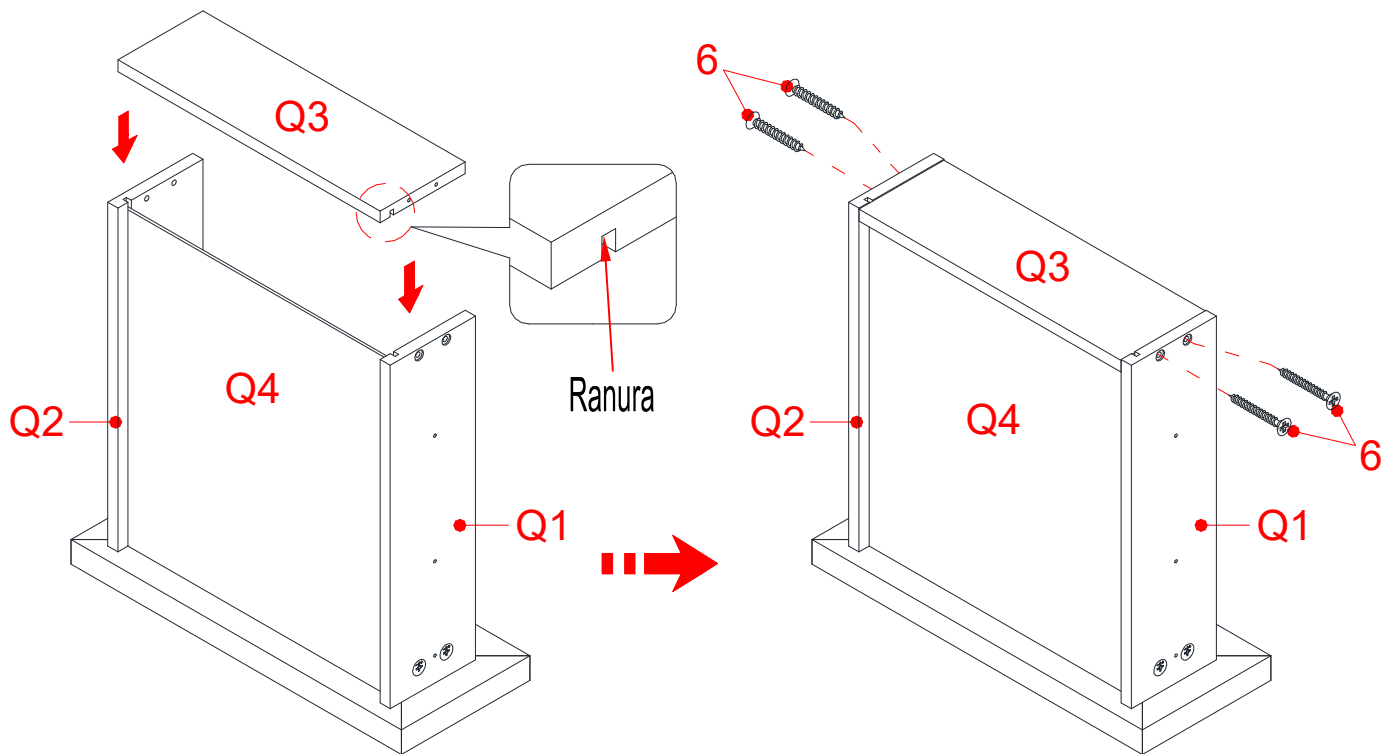
Ensamble del cajón medio

Las ranuras se alinean la una con la otra y apuntan hacia adentro



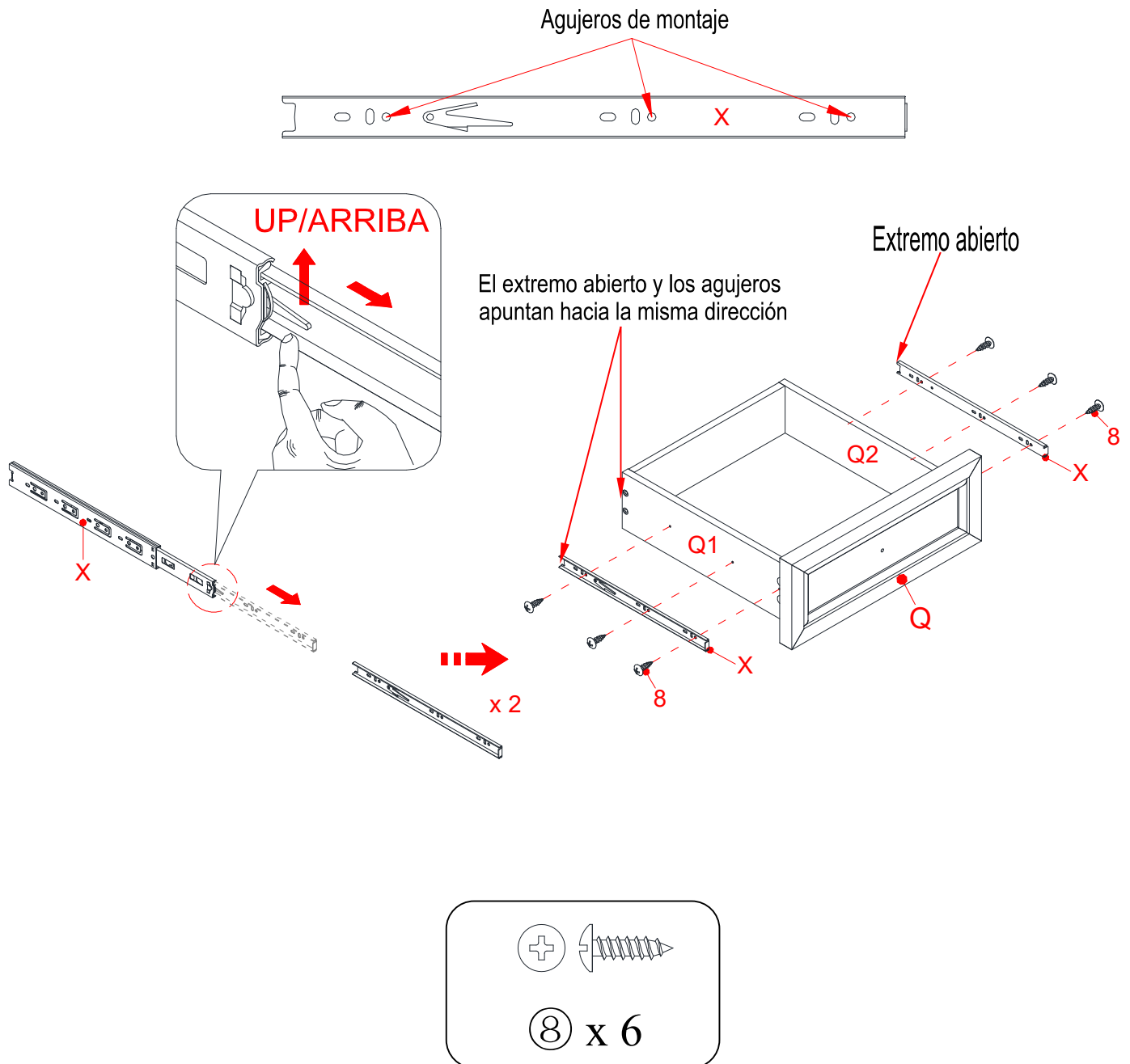
18. Sujetar los lados del cajón medio (Q1 y Q2) al frente del cajón medio (Q) empleando 4 tuercas de fijación pequeñas (5).
19. Deslizar el panel inferior del cajón izquierdo (Q4) en las ranuras de los lados del cajón medio (Q1 y Q2) hasta está completamente insertado en el frente del cajón (Q).

Ensamble del cajón medio



20. Sujetar el panel posterior del cajón medio (Q3) entre los lados del cajón medio (Q1 y Q2) con 4 pernos de 38 mm (6). Asegurar de que el panel inferior del cajón izquierdo (Q4) encaje en la ranura del panel posterior del cajón medio (Q3). Apretar los pernos con el desarmador estrella.

Ensamble del cajón medio

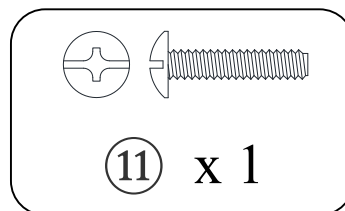
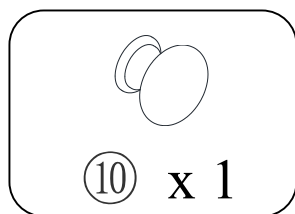
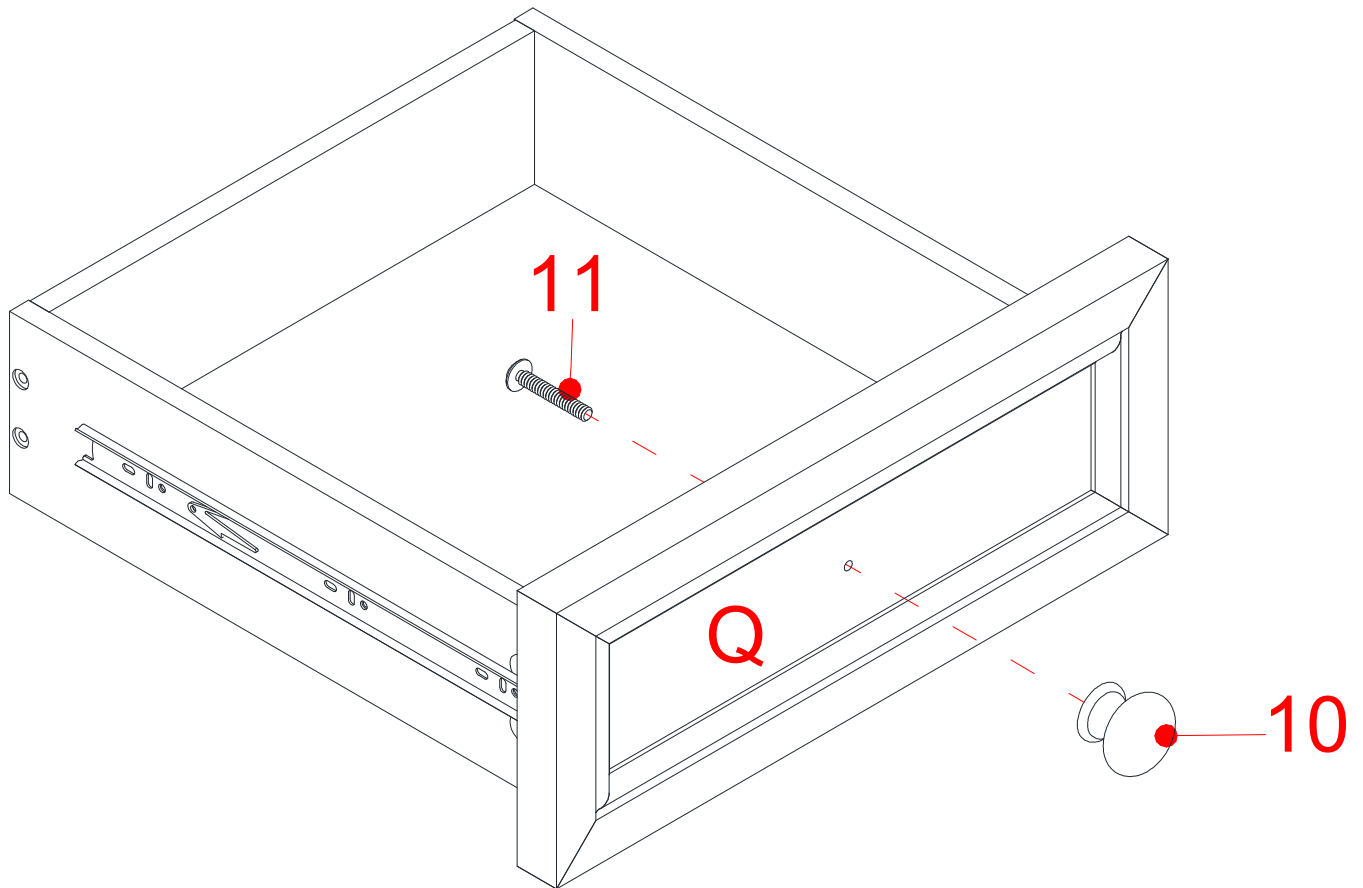


21. Voltrear el cajón ensamblado en posición vertical.

22. Tomar la corredera de baleros de 12" (X) y separar los complementos de corredera para el paso siguiente. Extender el complemento de corredera todo el camino hacia enfrente. Presionar la palanca de liberación de plástico en las correderas de baleros hacia arriba y jalar los correderos deslizantes todo el camino.

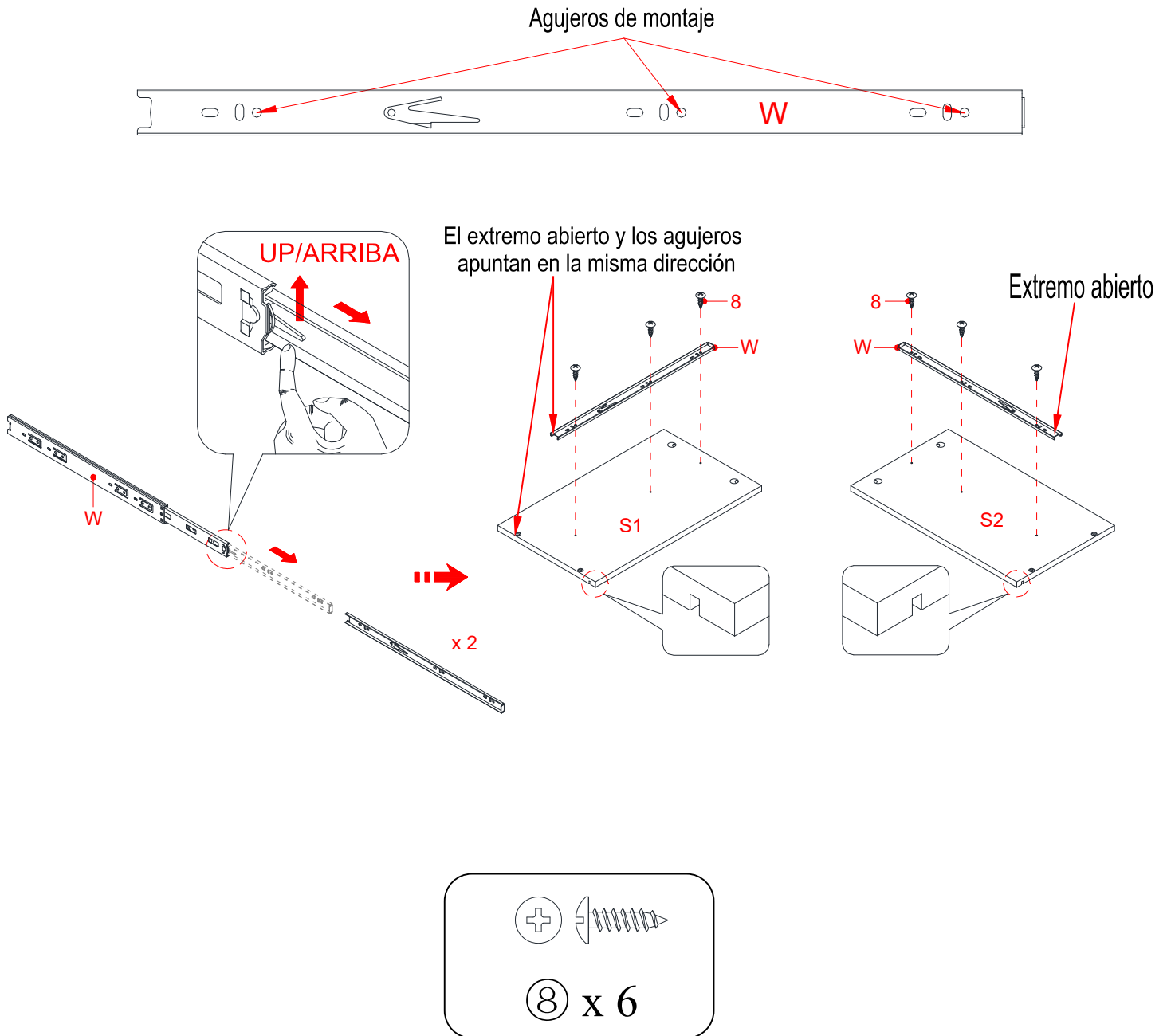
23. Usando los agujeros pilotos como guía, adjuntar los complementos de corredera separados los lados del cajón medio (Q1 y Q2) con 3 pernos de 12 mm (8) por complemento.

Ensamble del cajón medio



24. Adjuntar una jaladera (10) a la parte exterior del frente del cajón medio (Q) con un perno de 19 mm (11).

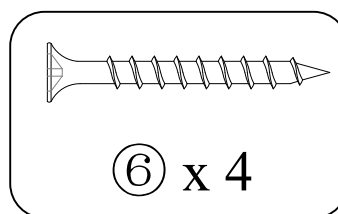
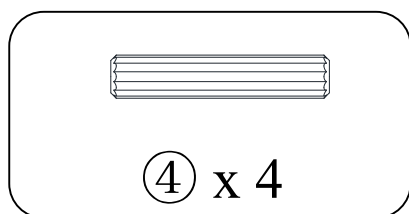
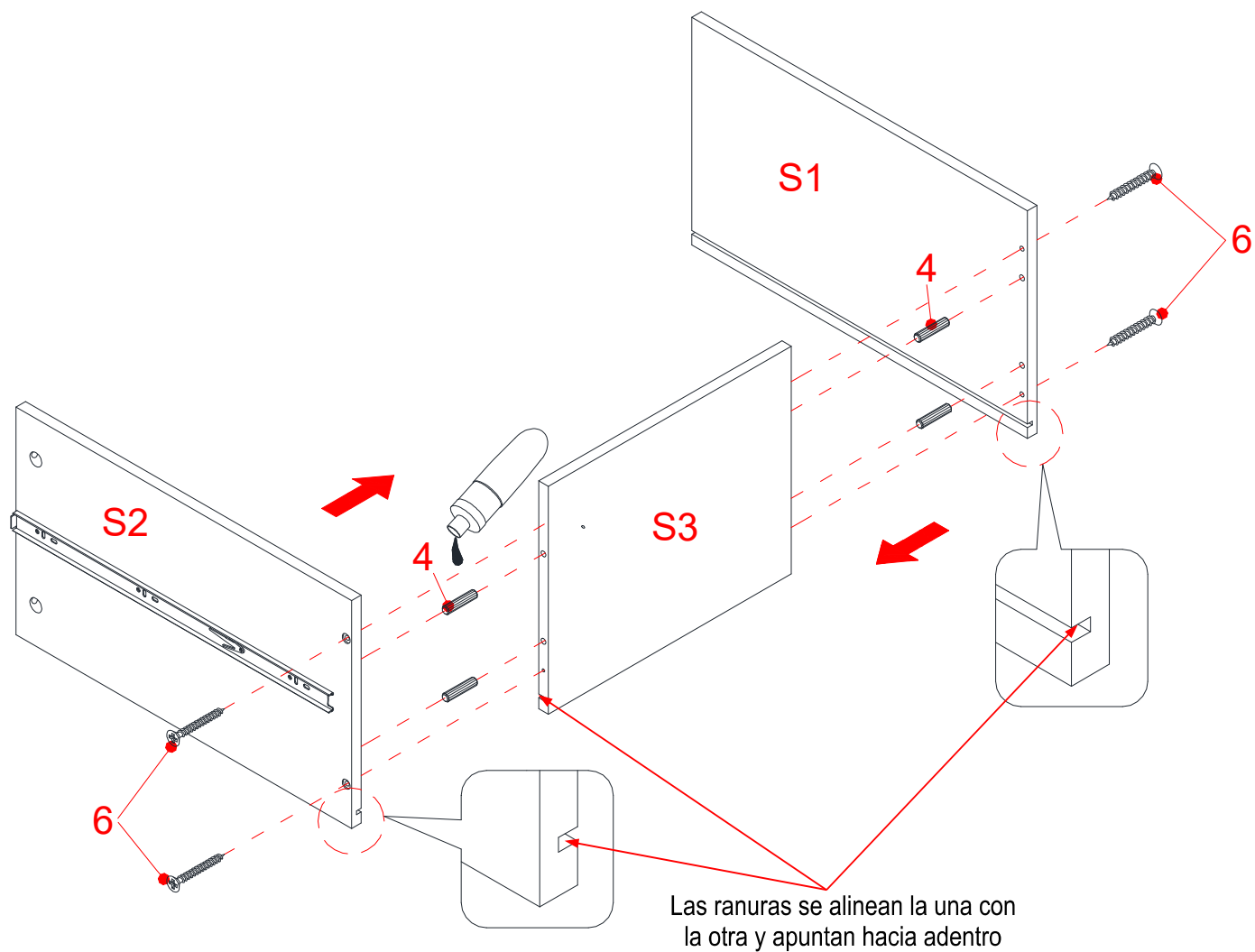
Ensamble del cajón de archivos



25. Tomar la corredera de baleros de 16" (W) y separar los complementos de corredera para el paso siguiente. Extender el complemento de corredera todo el camino hacia enfrente. Presionar la palanca de liberación de plástico en las correderas de baleros hacia arriba y jalar los correderos deslizantes todo el camino.

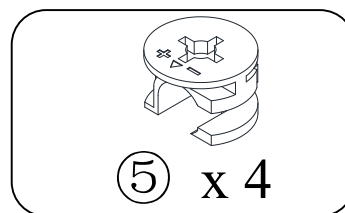
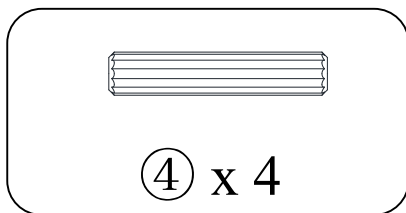
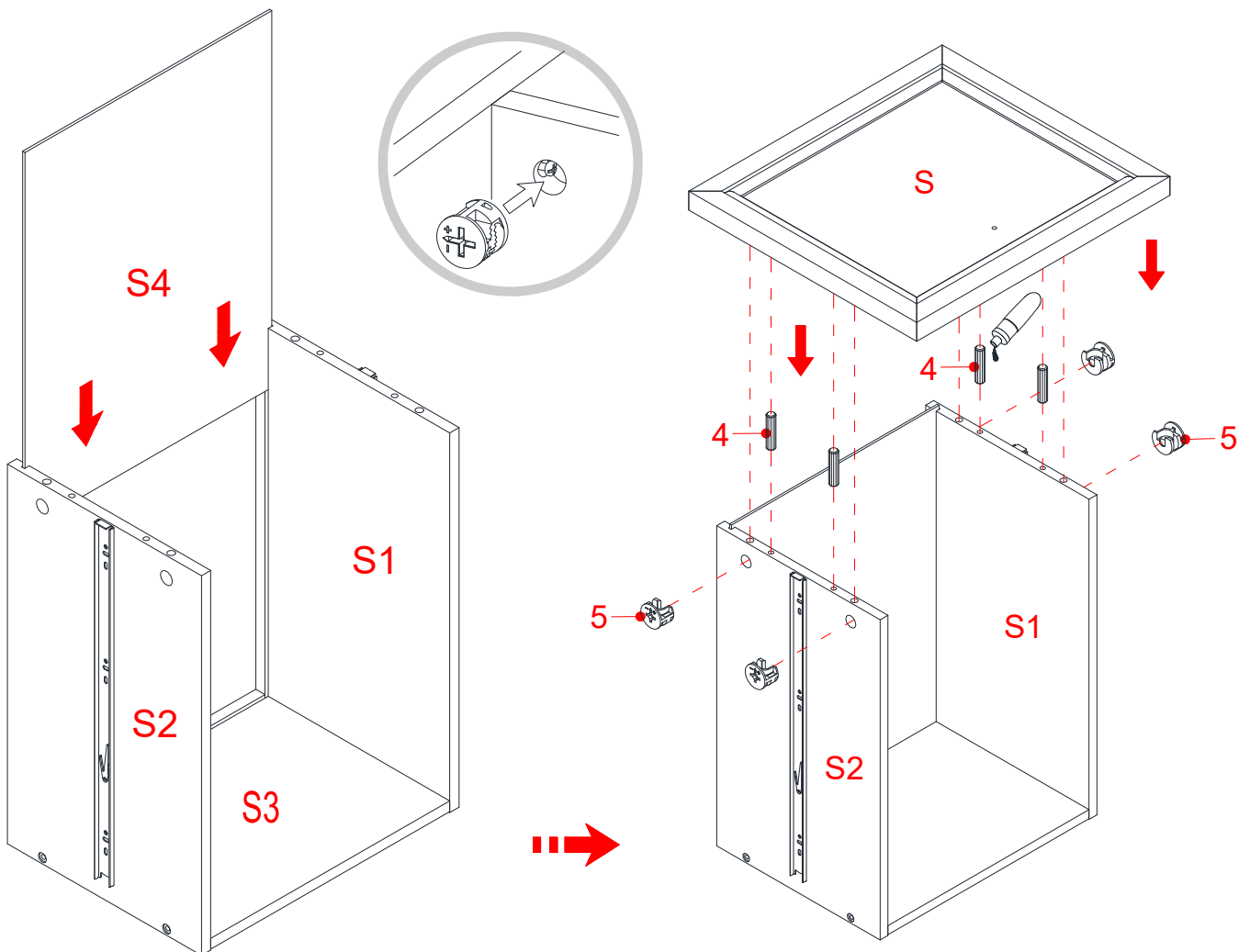
26. Usando los agujeros pilotos como guía, adjuntar los complementos de corredera separados los lados del cajón archivero (S1 y S2) con 3 pernos de 12 mm (8) por complemento.

Ensamble del cajón de archivos



27. Adjuntar el panel posterior del cajón archivero (S3) entre los lados del cajón archivero (S1 y S2) con 4 clavijas de madera pequeña de 30 mm (4) y 4 pernos de 38 mm (6).

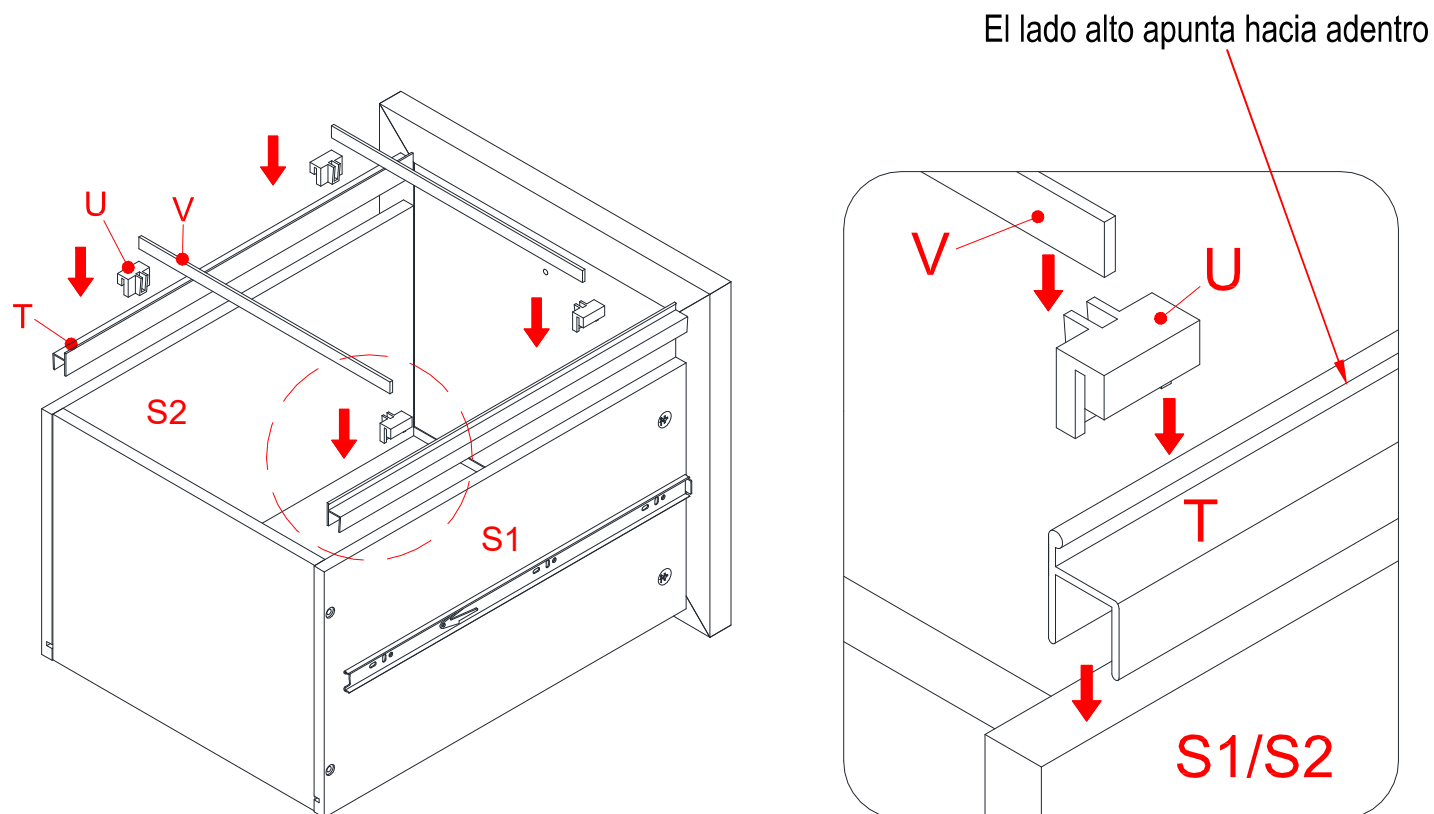
Ensamble del cajón de archivos



28. Deslizar el panel inferior del cajón archivero (S4) en las ranuras en los lados del cajón archivero (S1 y S2) e insertar en el panel posterior del cajón archivero (S3).

29. Adjuntar el frente del cajón archivero (S) a los lados del cajón archivero (S1 y S2) empleando 4 tuercas de fijación pequeñas (5) y 4 clavijas de madera pequeña de 30 mm (4).

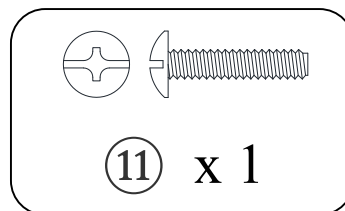
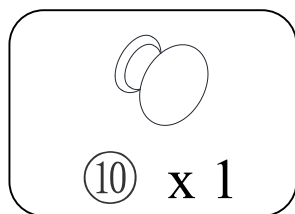
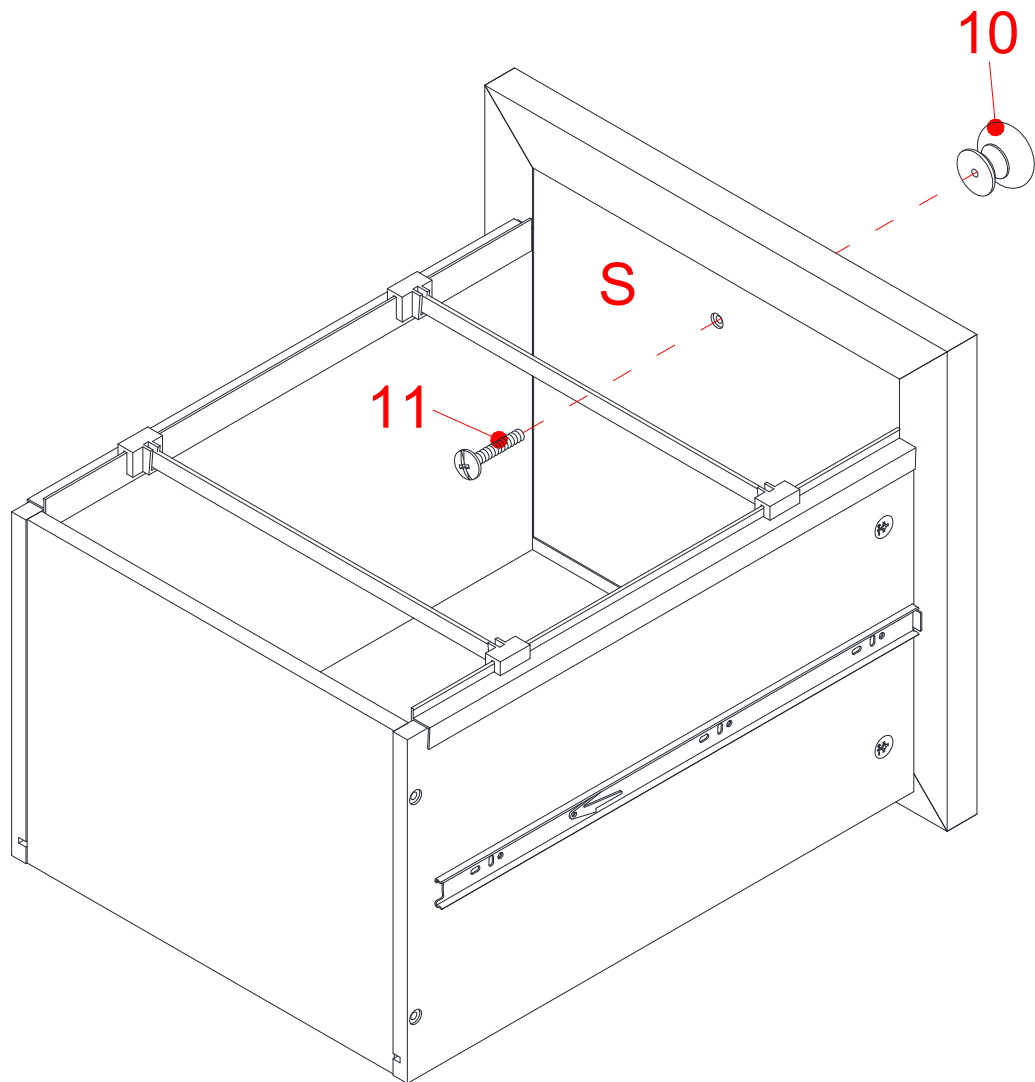
Ensamble del cajón de archivos



30. Poner el cajón ensamblado en posición vertical. Poner los rieles guía (T) sobre los lados del cajón archivero (S1 y S2) con el lado alto apuntando hacia adentro.

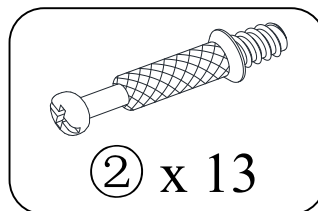
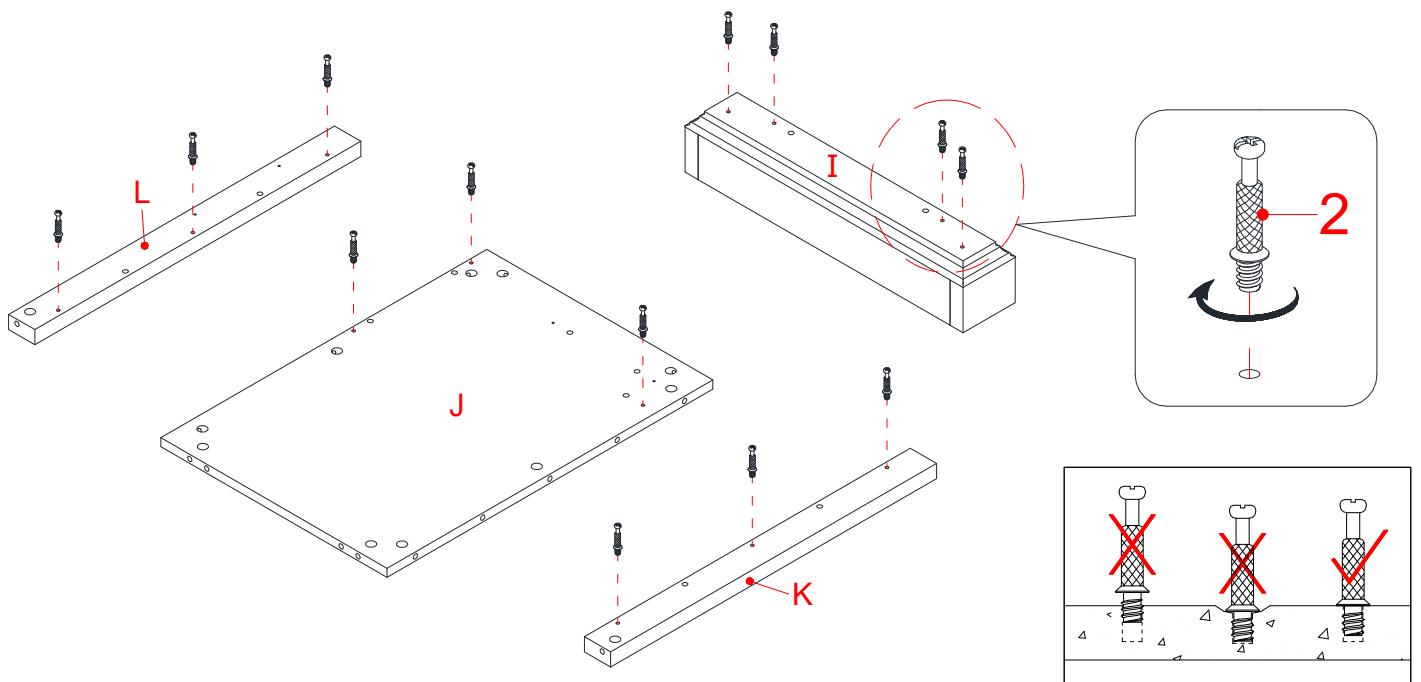
31. Enganchar 4 bloques guía (U) al borde alto de los rieles guía (T). Ahora poner las placas de archivos (V) en el espacio de los bloques guía (U). Deslizar la placa de archivos hacia enfrente y hacia atrás para mantener los archivos colgantes organizados.

Ensamble del cajón de archivos



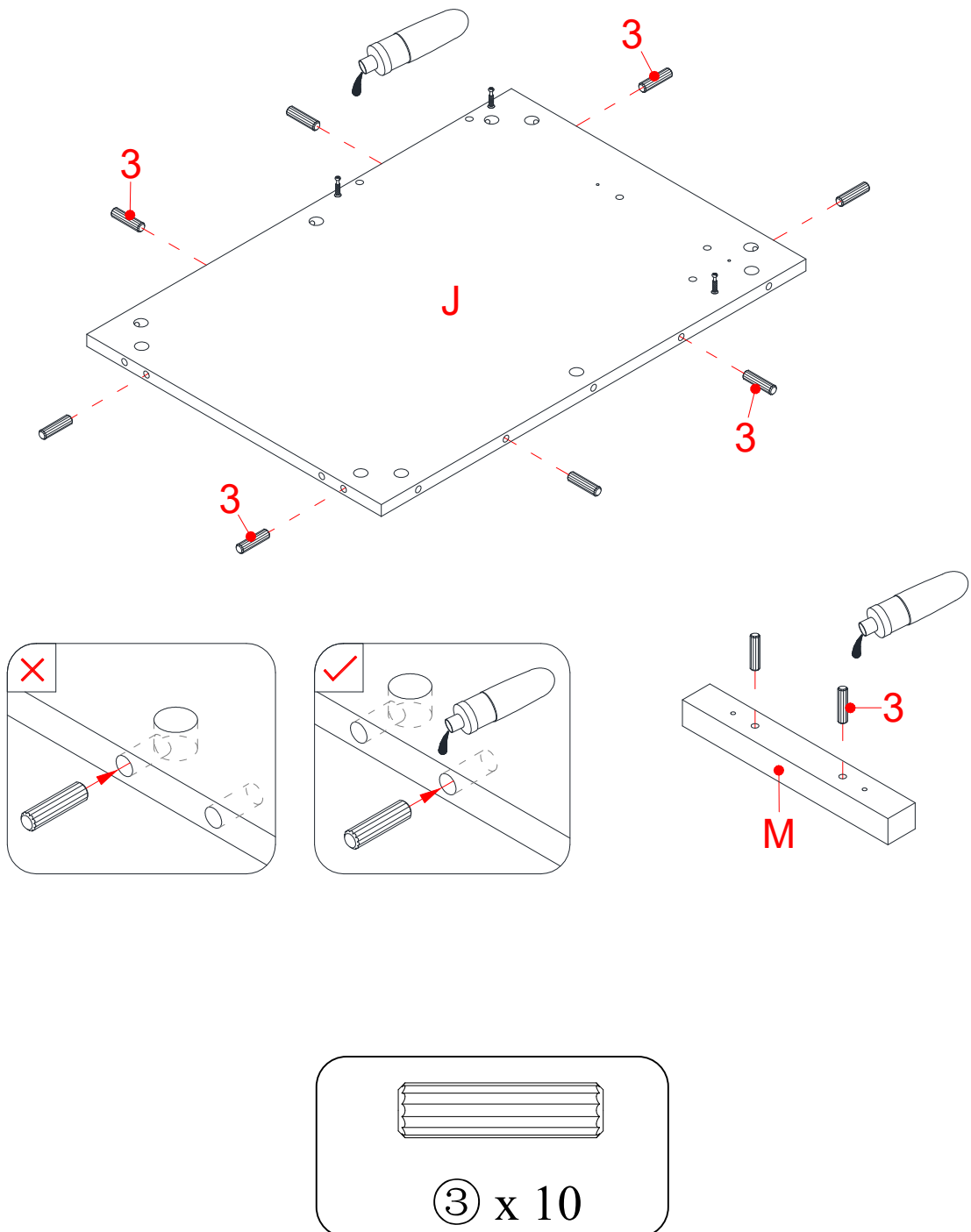
32. Adjuntar una jaladera (10) a la parte exterior del frente del cajón archivero (S) con un perno de 19 mm (11).

Instrucciones de ensamble



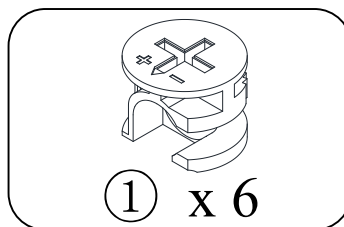
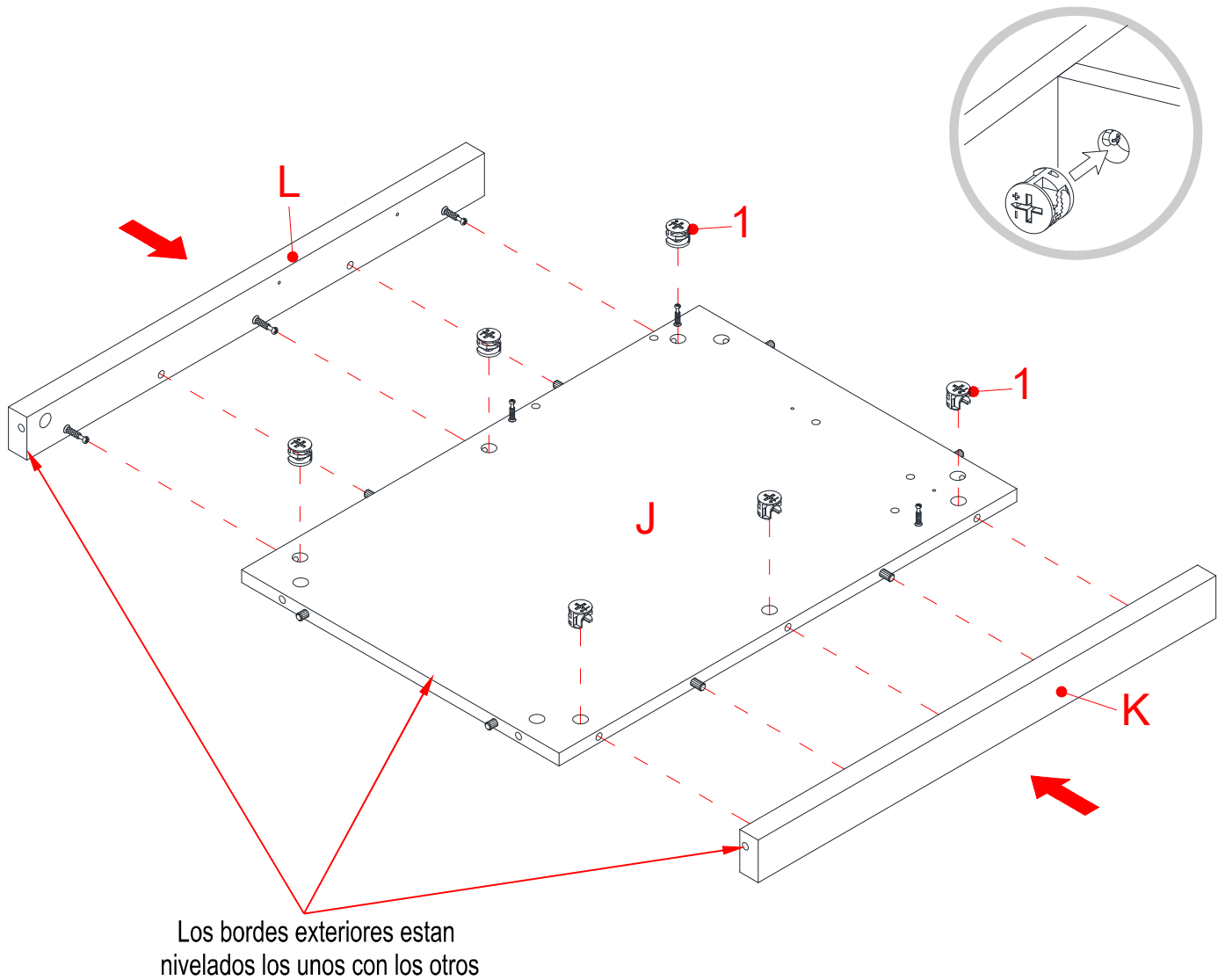
33. Atornillar los pernos de fijación (2) en los agujeros chicos designados en la base derecha (I), en el panel derecho (J) y en las molduras (K y L) usando el desarmador estrella.

Instrucciones de ensamble



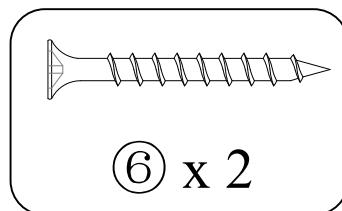
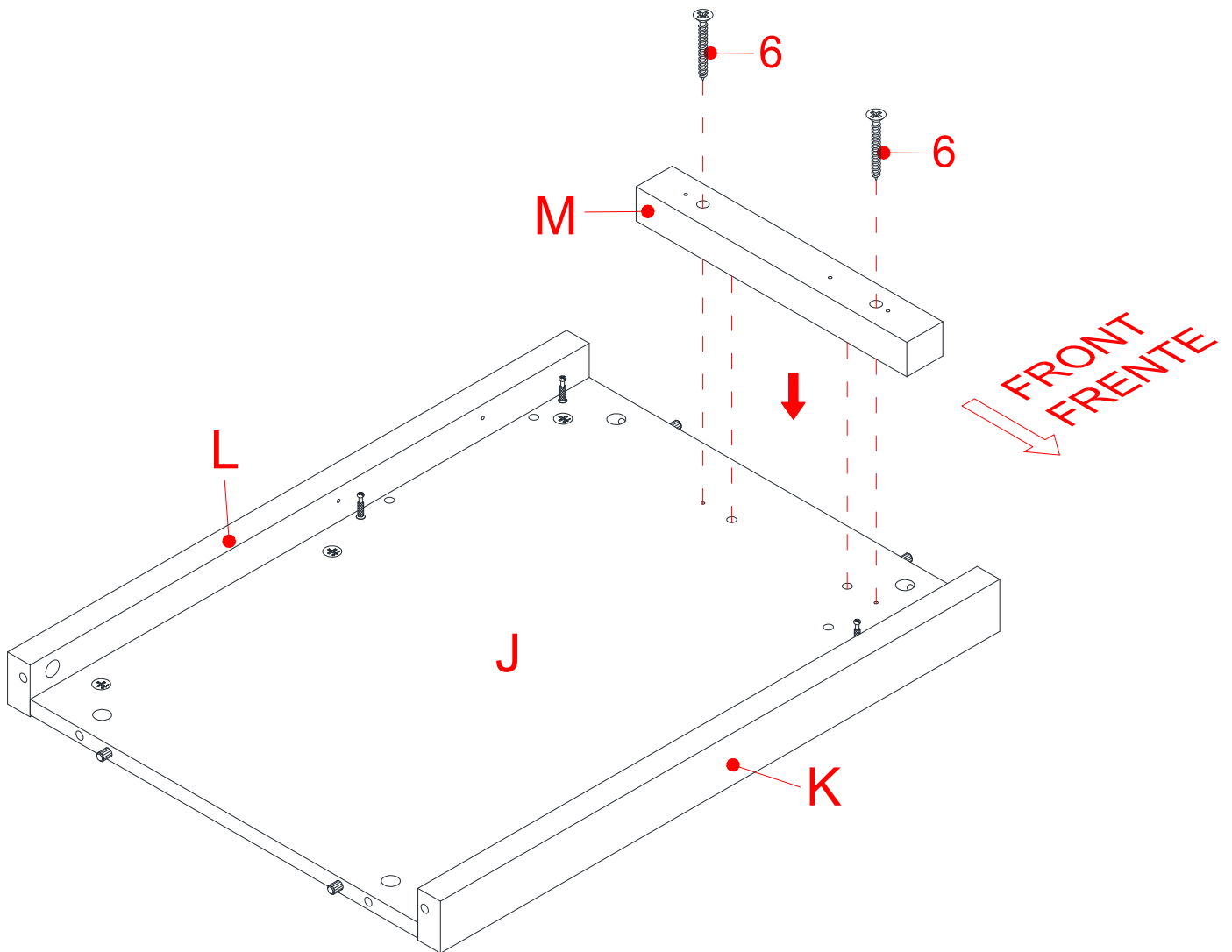
34. Pegar las clavijas de madera grandes (3) en los agujeros internos del panel derecho (J) y del soporte de deslizadera (M).

Instrucciones de ensamble



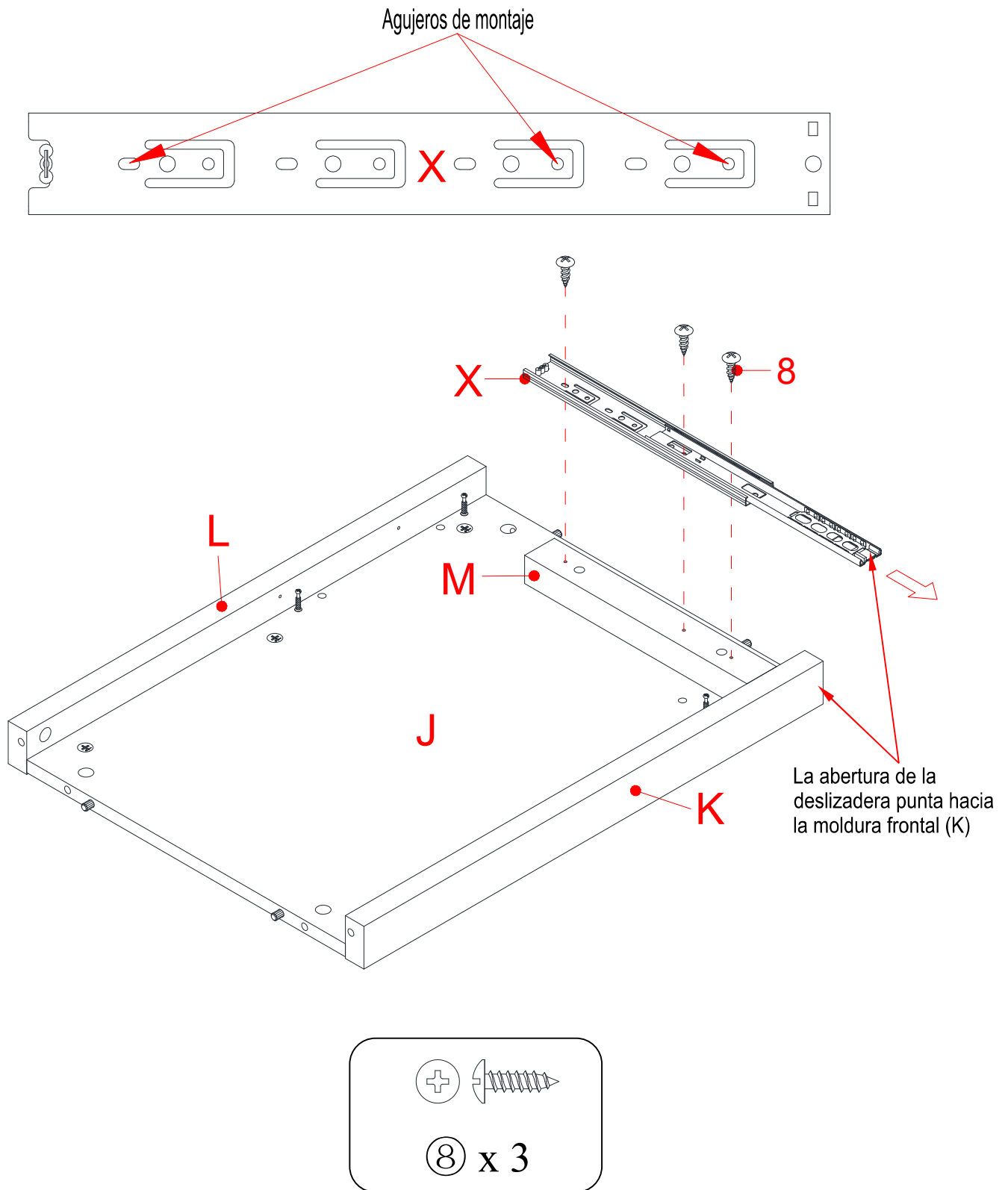
35. Alinear y adjuntar las molduras (K y L) al panel derecho (J) empleando 3 tuercas de fijación grandes (1) por moldura.

Instrucciones de ensamble



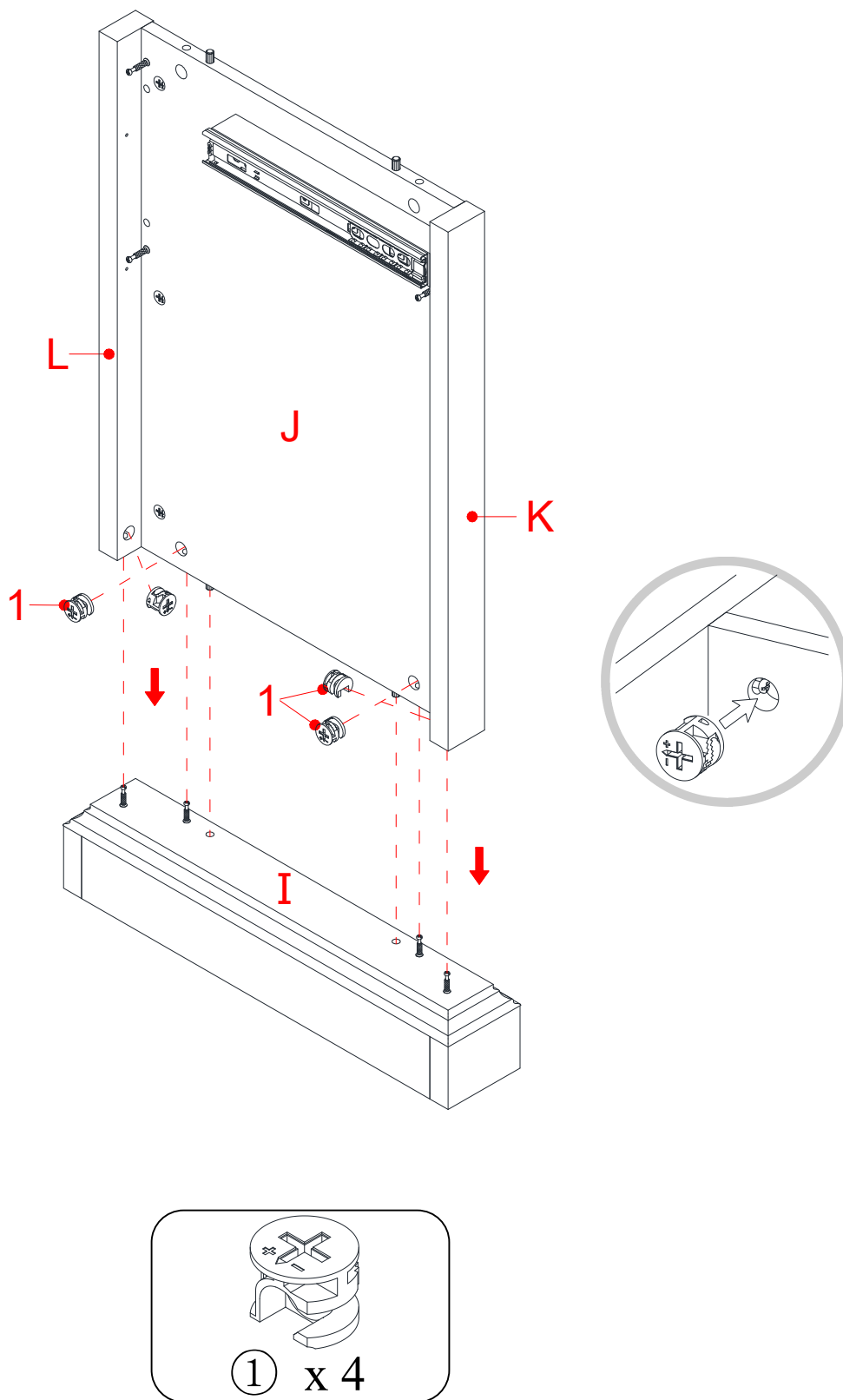
36. Usando las clavijas de madera insertadas como guía, sujetar el soporte de deslizadera (M) al panel derecho (J) con 2 pernos de 38 mm (6).

Instrucciones de ensamble



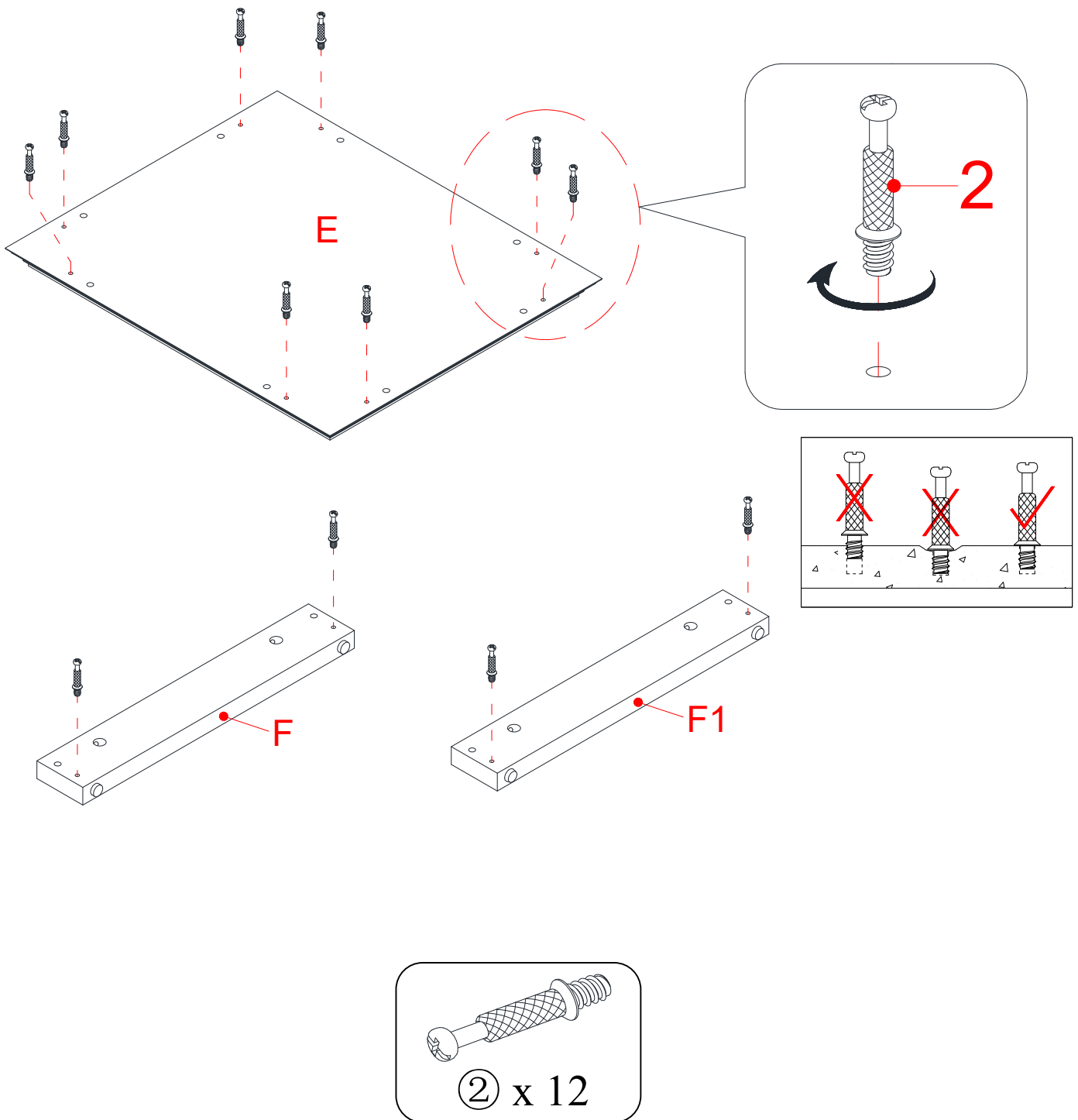
37. Usando los agujeros pilotos como guía, adjuntar el carril de corredera separada de 12" (X) al soporte de deslizadera (M) con 3 pernos de 12 mm (8).

Instrucciones de ensamble



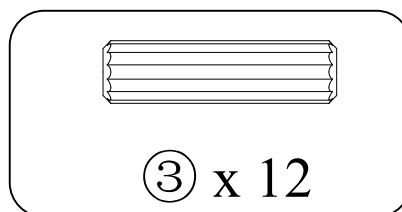
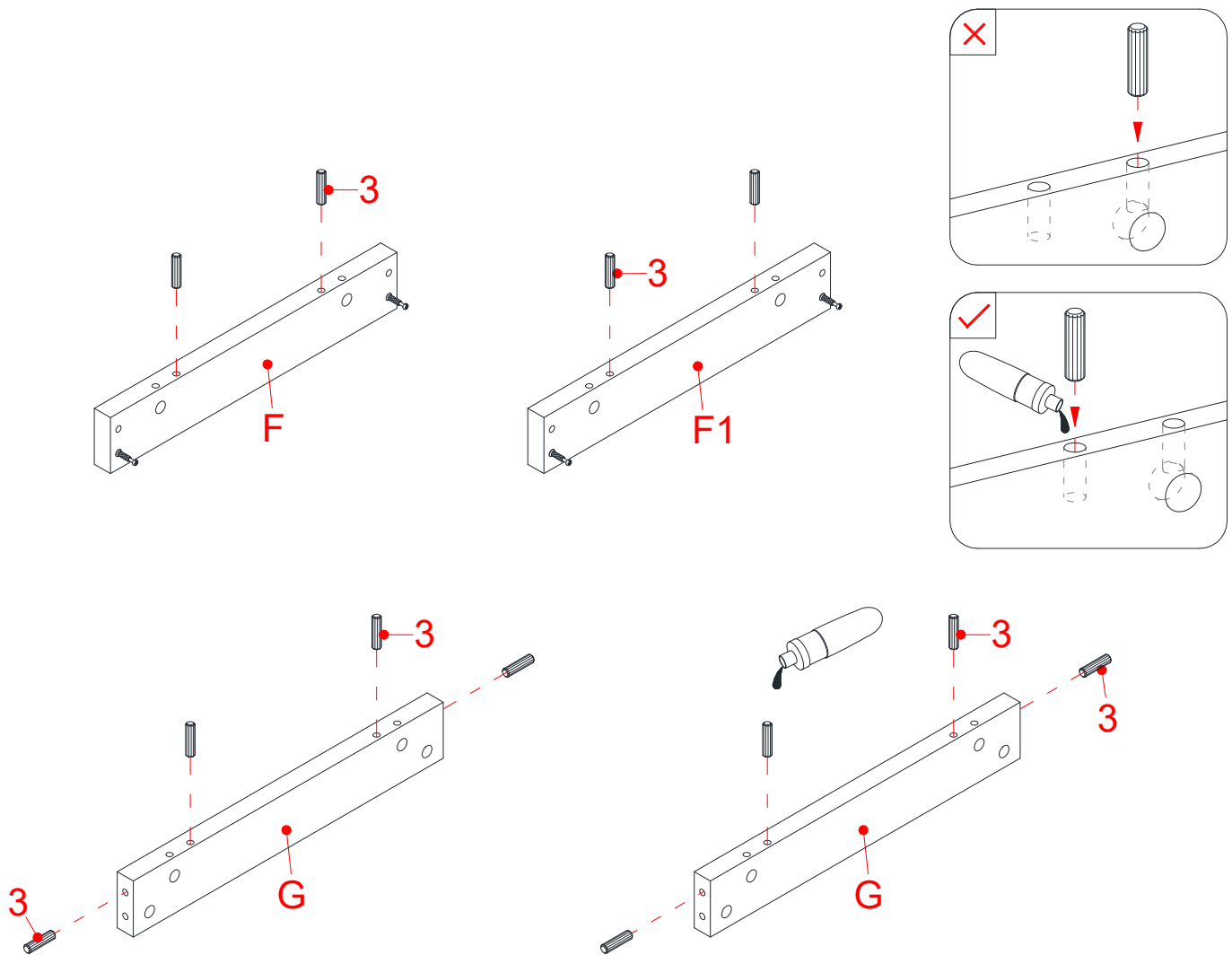
38. Adjuntar el ensamble previo a la base derecha (I) con 4 tuercas de fijación grandes (1).

Instrucciones de ensamble



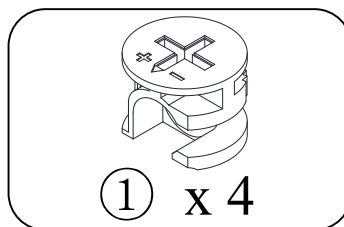
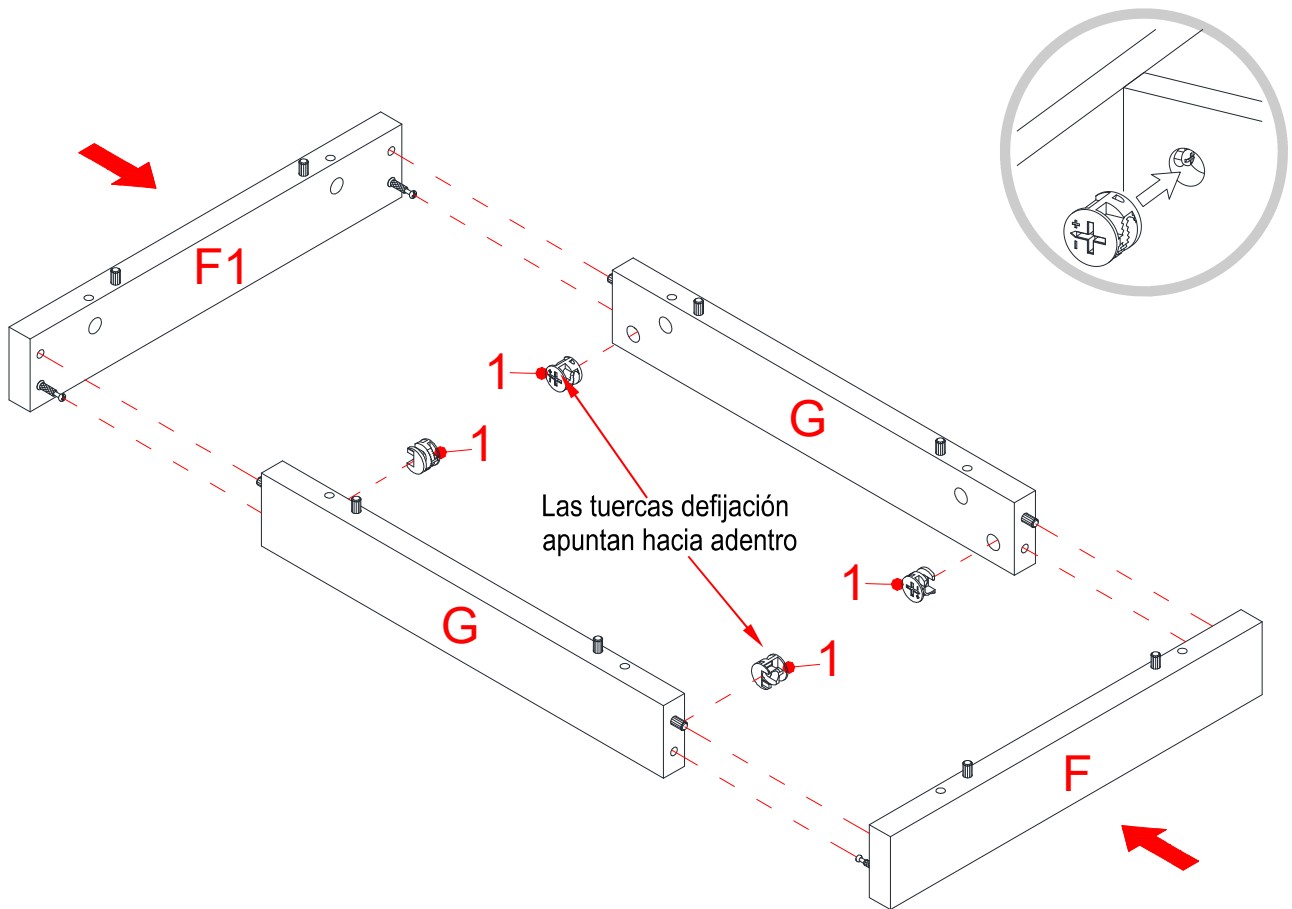
39. Atornillar los pernos de fijación (2) en los agujeros chicos designados en el panel izquierdo inferior (E), en los soportes inferior frontal y posterior (F y F1) usando el desarmador estrella.

Instrucciones de ensamble



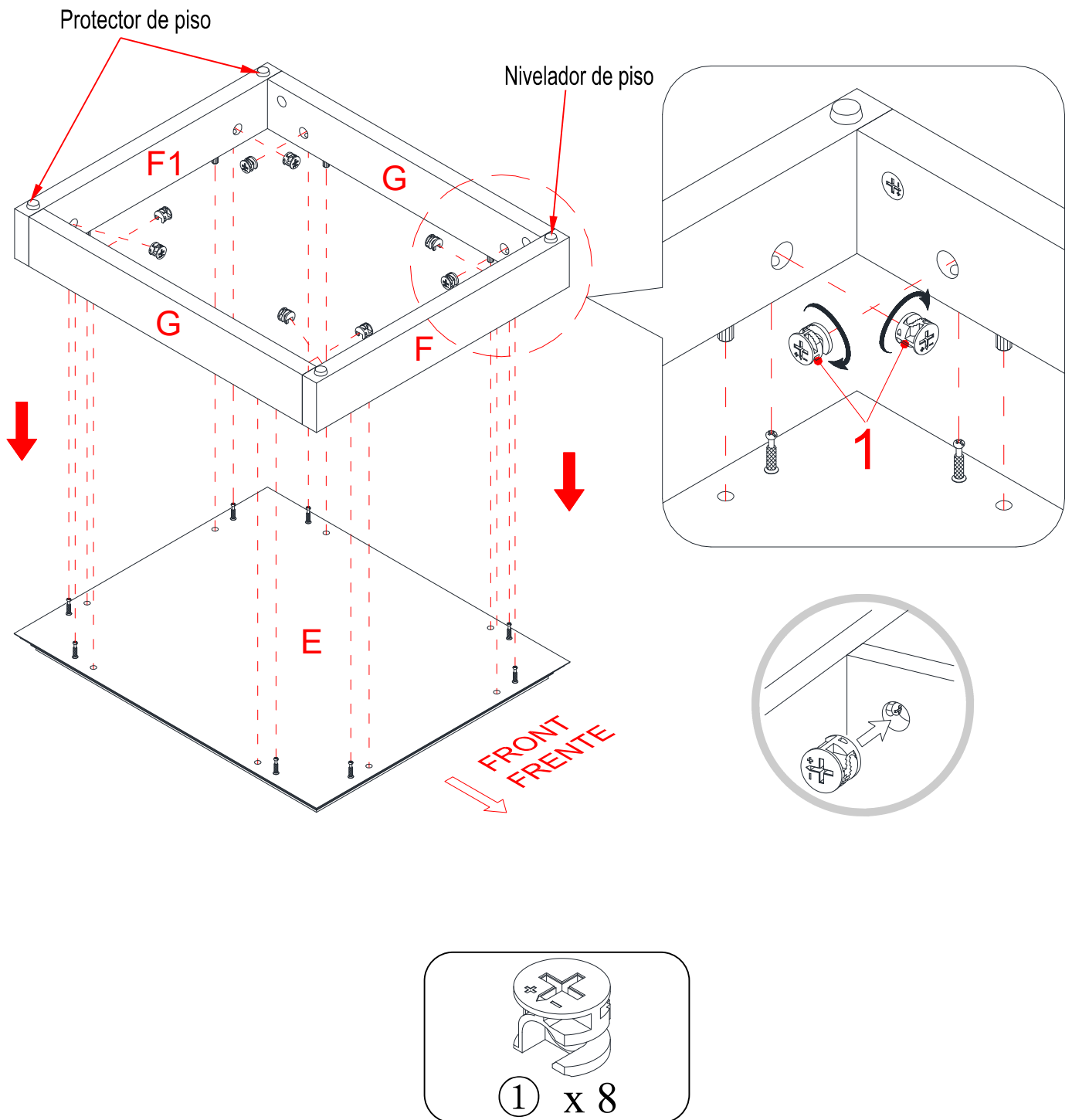
40. Pegar las clavijas de madera grandes (3) en los agujeros internos de los soportes inferiores laterales (G), en los soportes inferior frontal y posterior (F y F1) como se muestra.

Instrucciones de ensamble



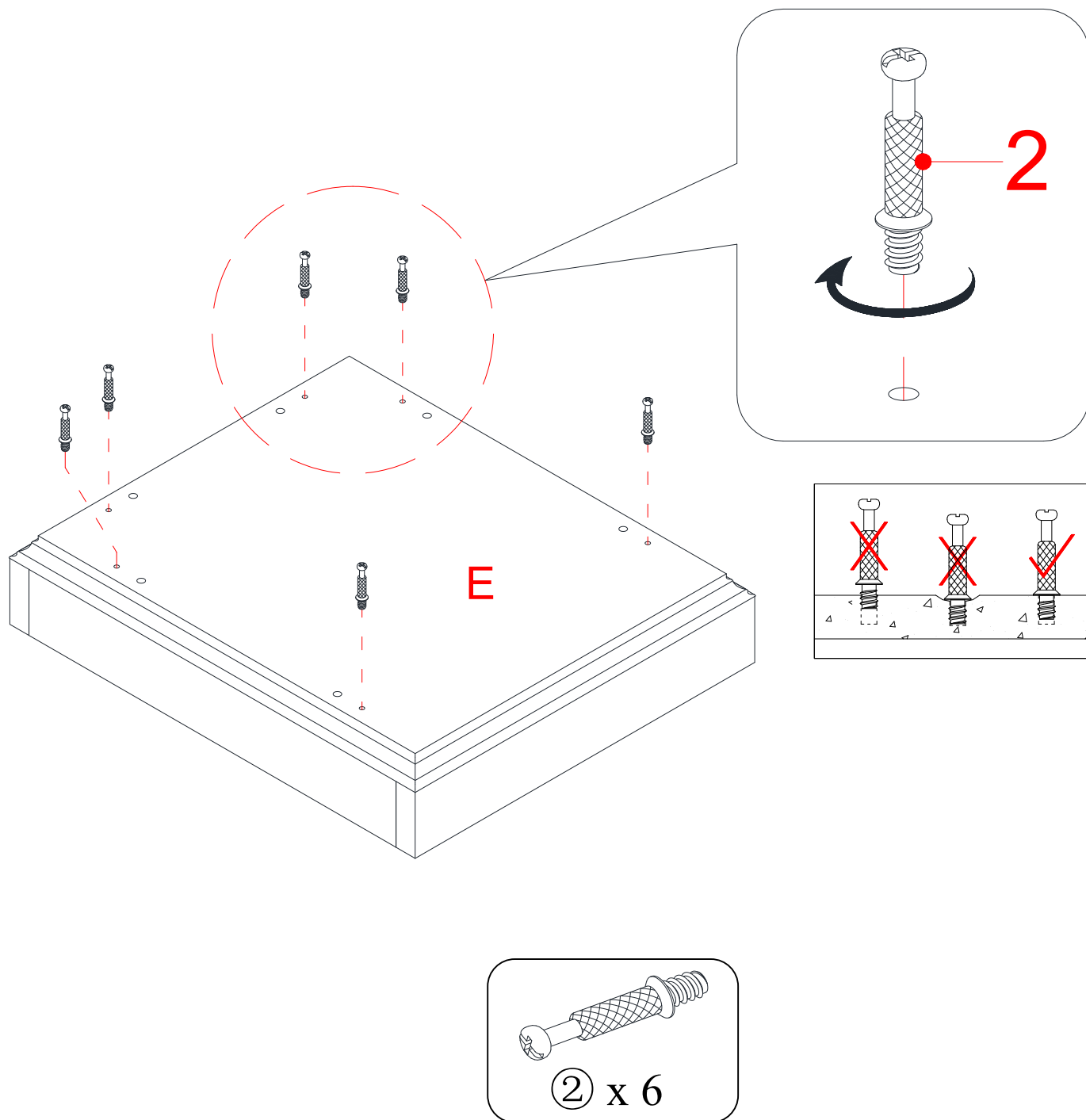
41. Adjuntar los soportes inferiores laterales (G) entre los soportes inferior frontal y posterior (F y F1) con 4 tuercas de fijación grandes (1).

Instrucciones de ensamble



42. Alinear y adjuntar la base ensamblada del panel izquierdo inferior (E) con 8 tuercas de fijación grandes (1).

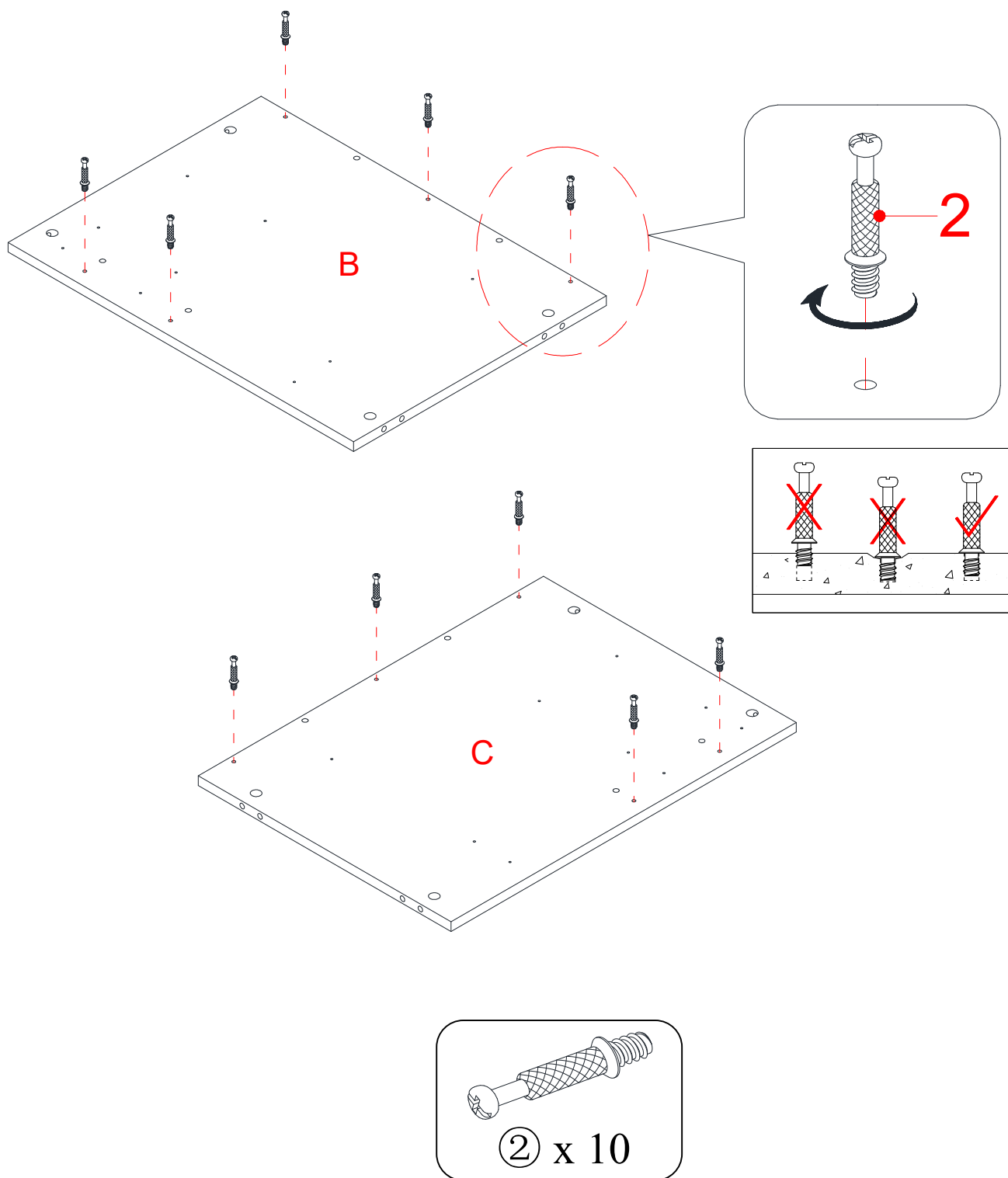
Instrucciones de ensamble



43. Voltar la base ensamblada en posición vertical.

44. Atornillar los pernos de fijación (2) en los agujeros chicos designados en el panel izquierdo inferior (E) usando el desarmador estrella.

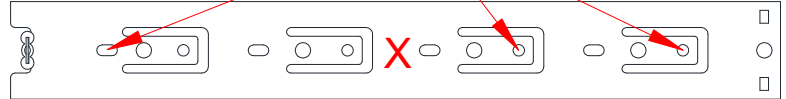
Instrucciones de ensamble



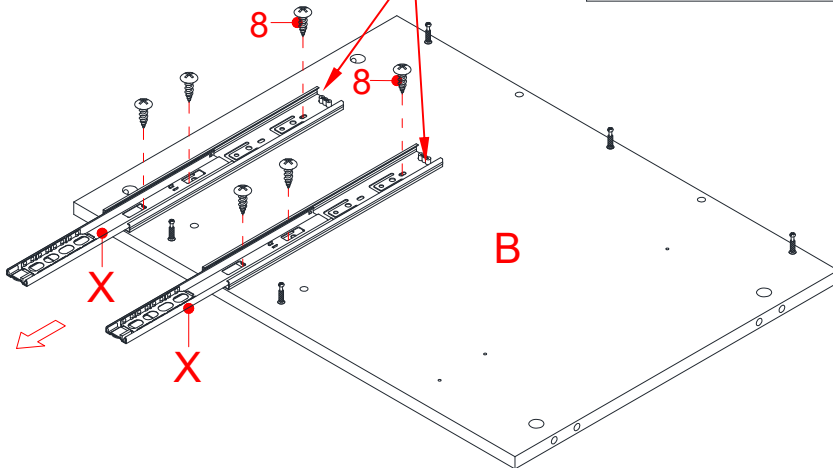
45. Atornillar los pernos de fijación (2) en los agujeros chicos designados en el panel izquierdo (B) y el panel divisor (C) usando el desarmador estrella.

Instrucciones de ensamble

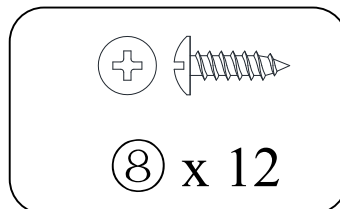
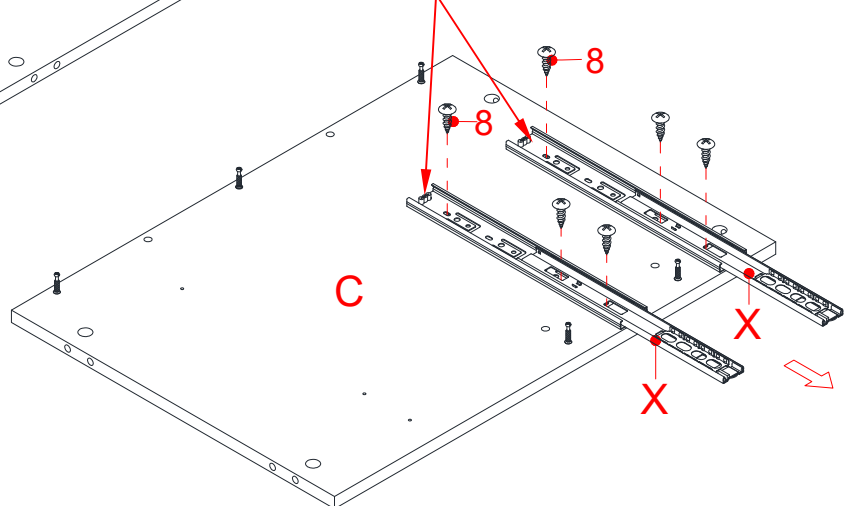
Agujeros de montaje



Topes de deslizadera



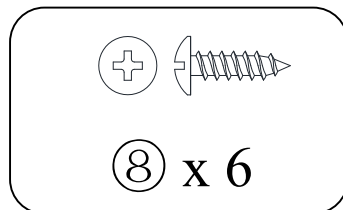
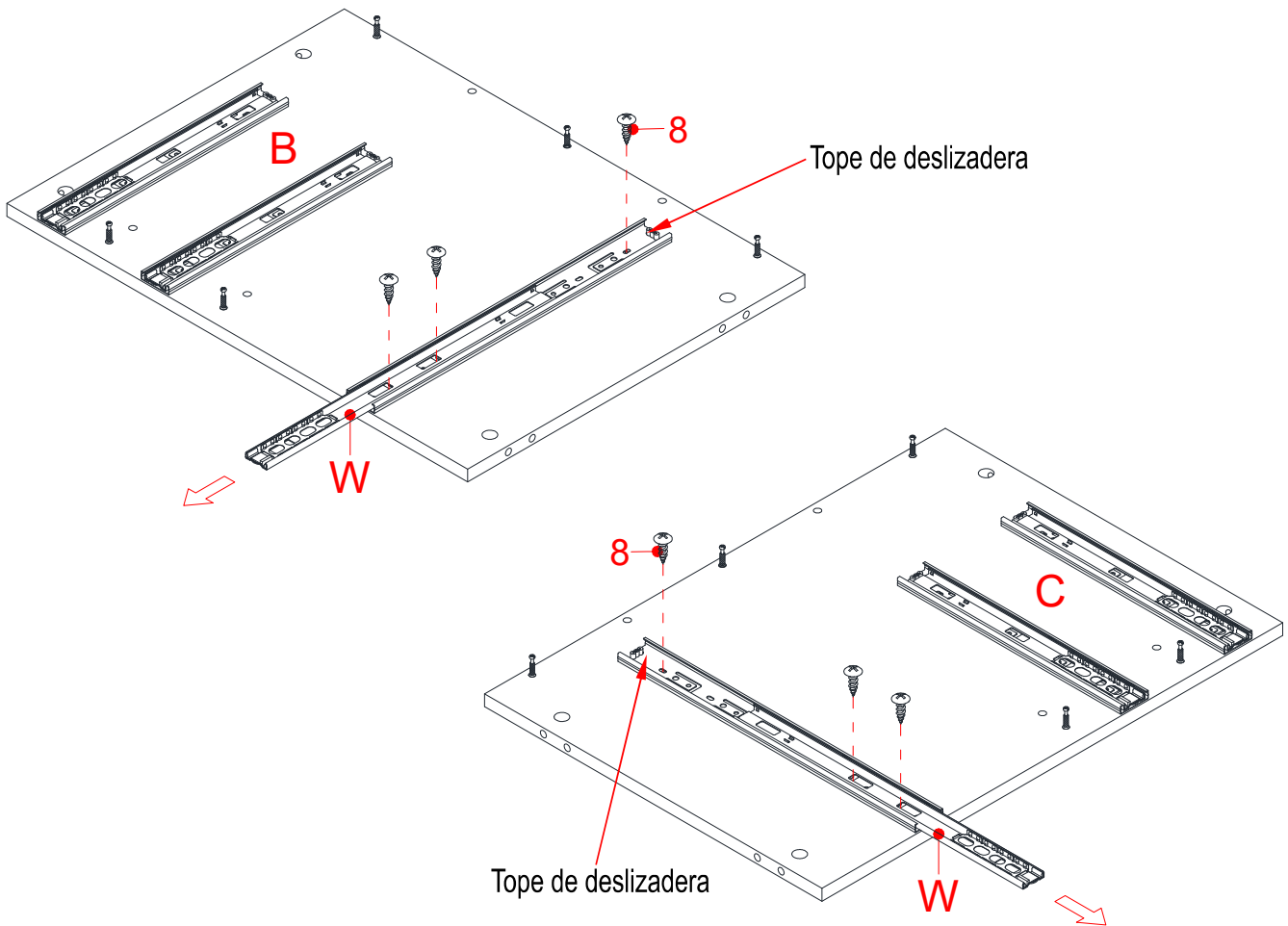
Tops de deslizadera



46. Usando los agujeros pilotos como guía, adjuntar los carriles de corredera separados de 12" (X) a los paneles (B y C) con 3 pernos de 12 mm (8) por carril.

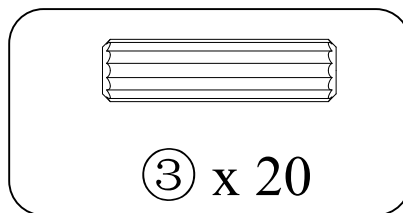
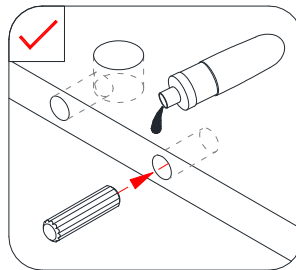
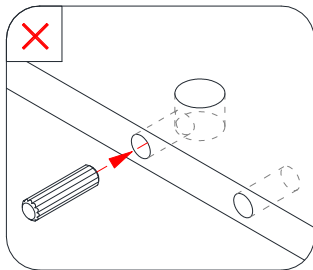
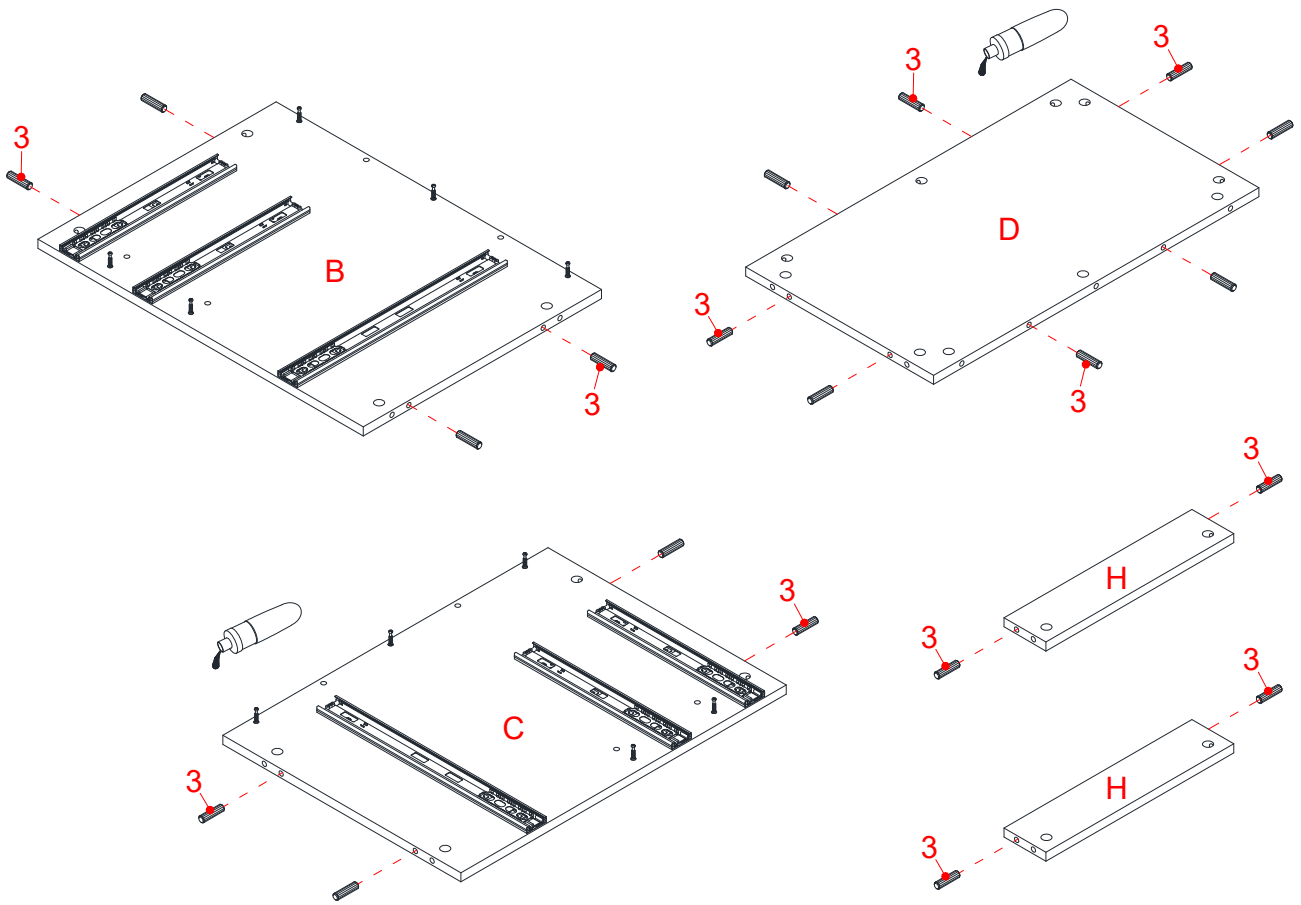
Instrucciones de ensamble

Agujero de montaje



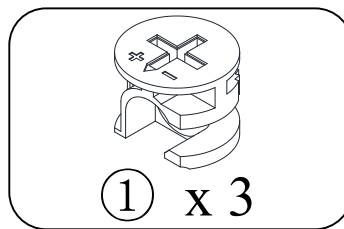
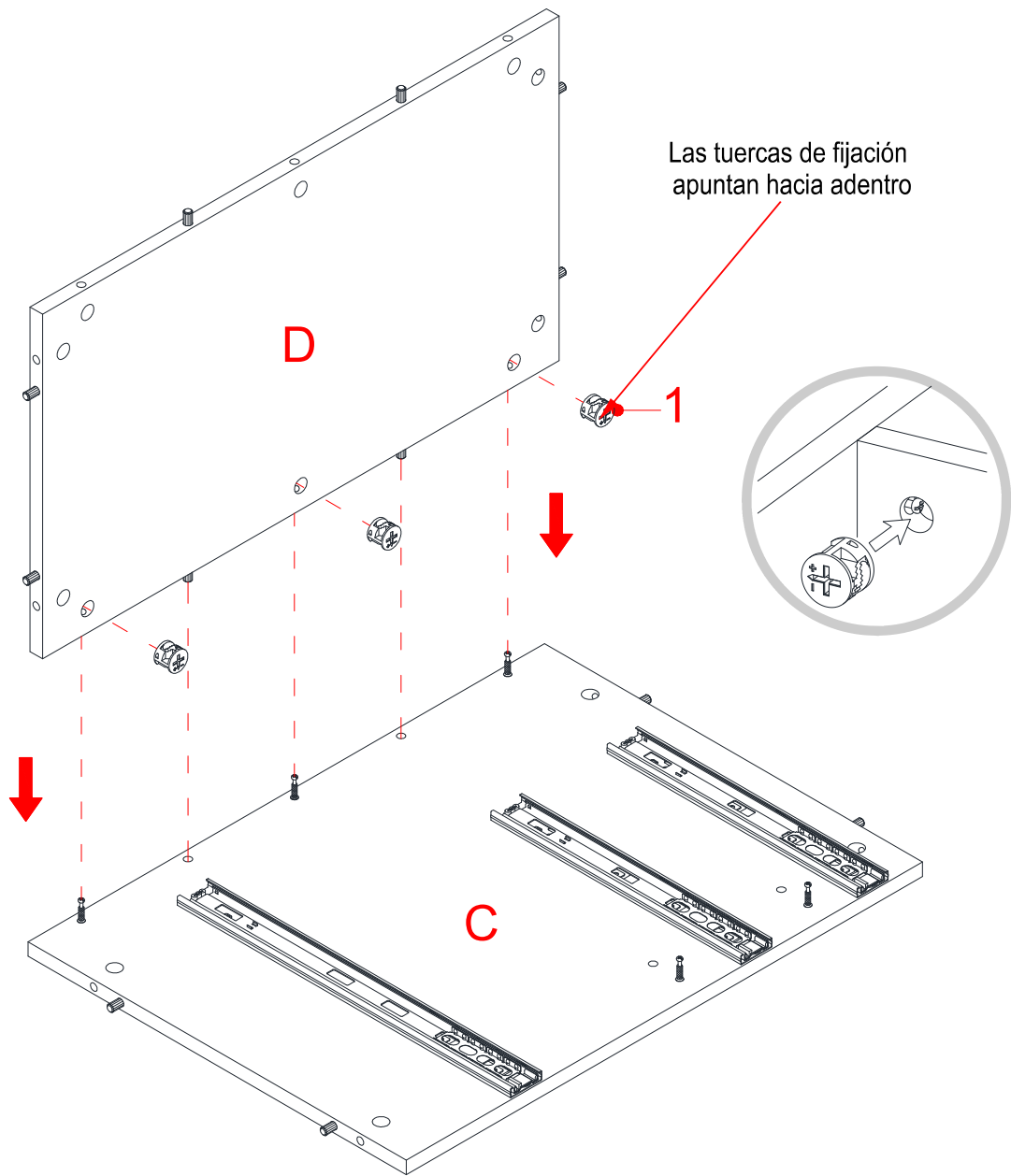
47. Usando los agujeros pilotos como guía, adjuntar los carriles de corredera separados de 16" (W) a los paneles (B y C) con 3 pernos de 12 mm (8) por carril.

Instrucciones de ensamble



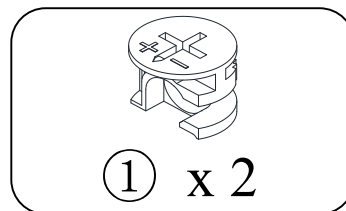
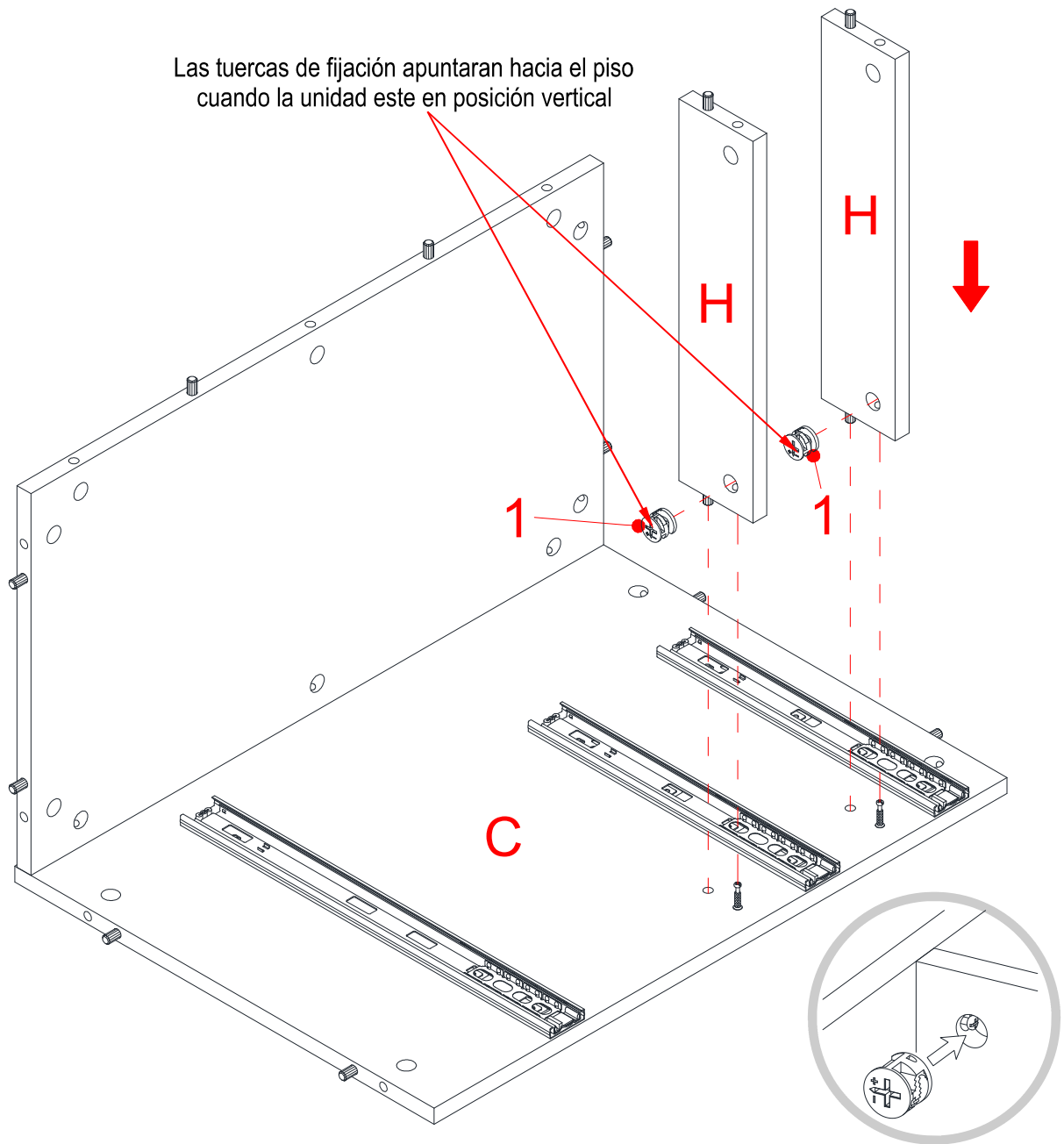
48. Pegar las clavijas de madera grandes (3) en los agujeros internos del panel izquierdo (B), del panel divisor (C), del panel izquierdo posterior (D) y del soporte corto (H) como se muestra.

Instrucciones de ensamble



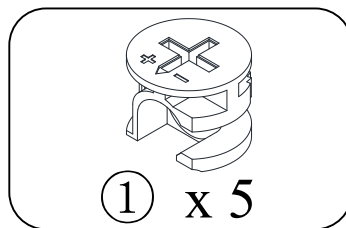
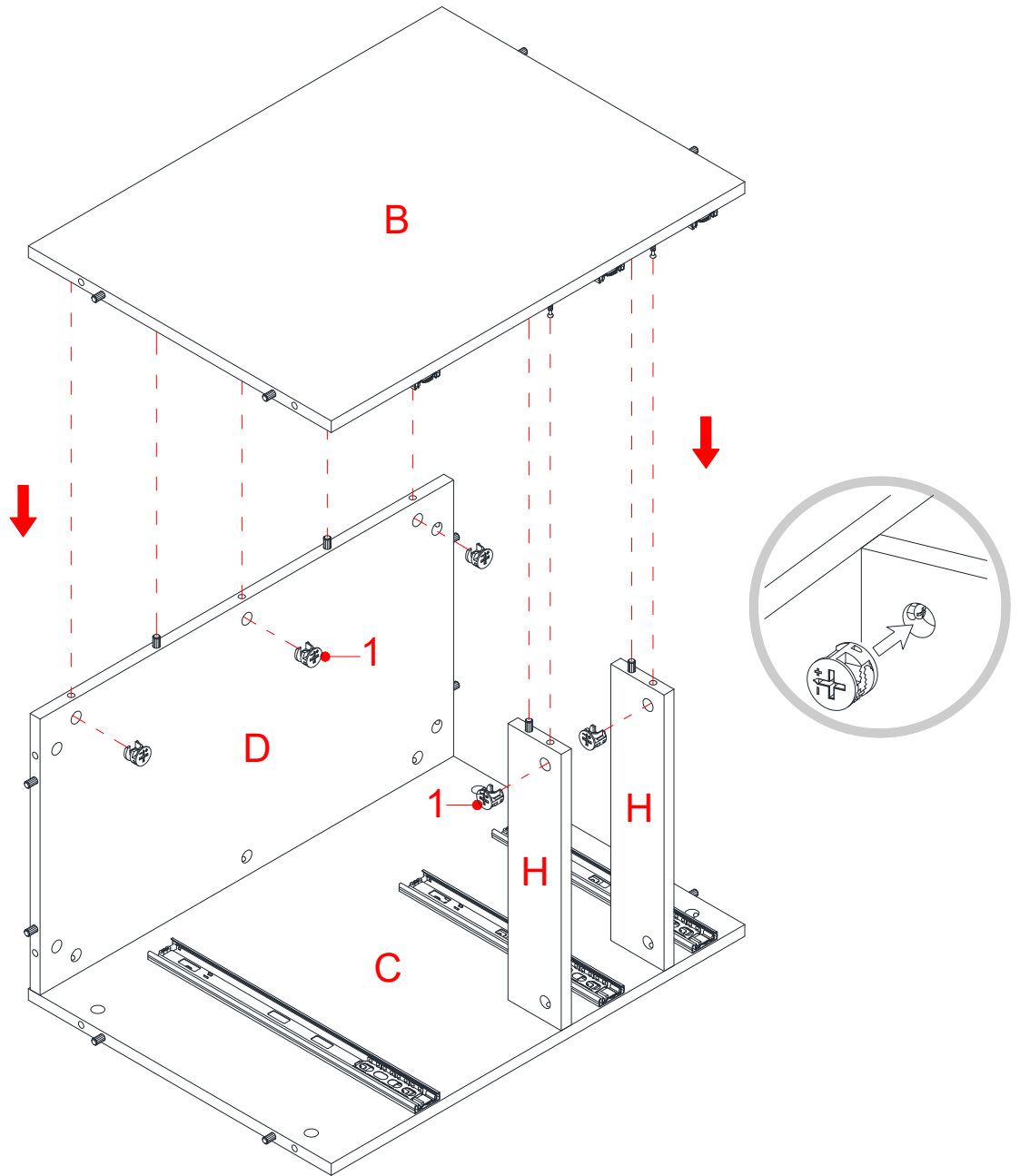
49. Adjuntar el panel izquierdo posterior (D) al panel divisor (C) con 3 tuercas de fijación grandes (1).

Instrucciones de ensamble



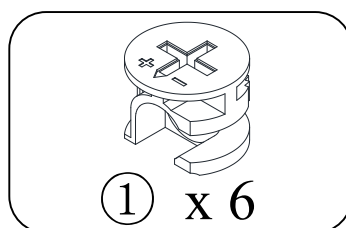
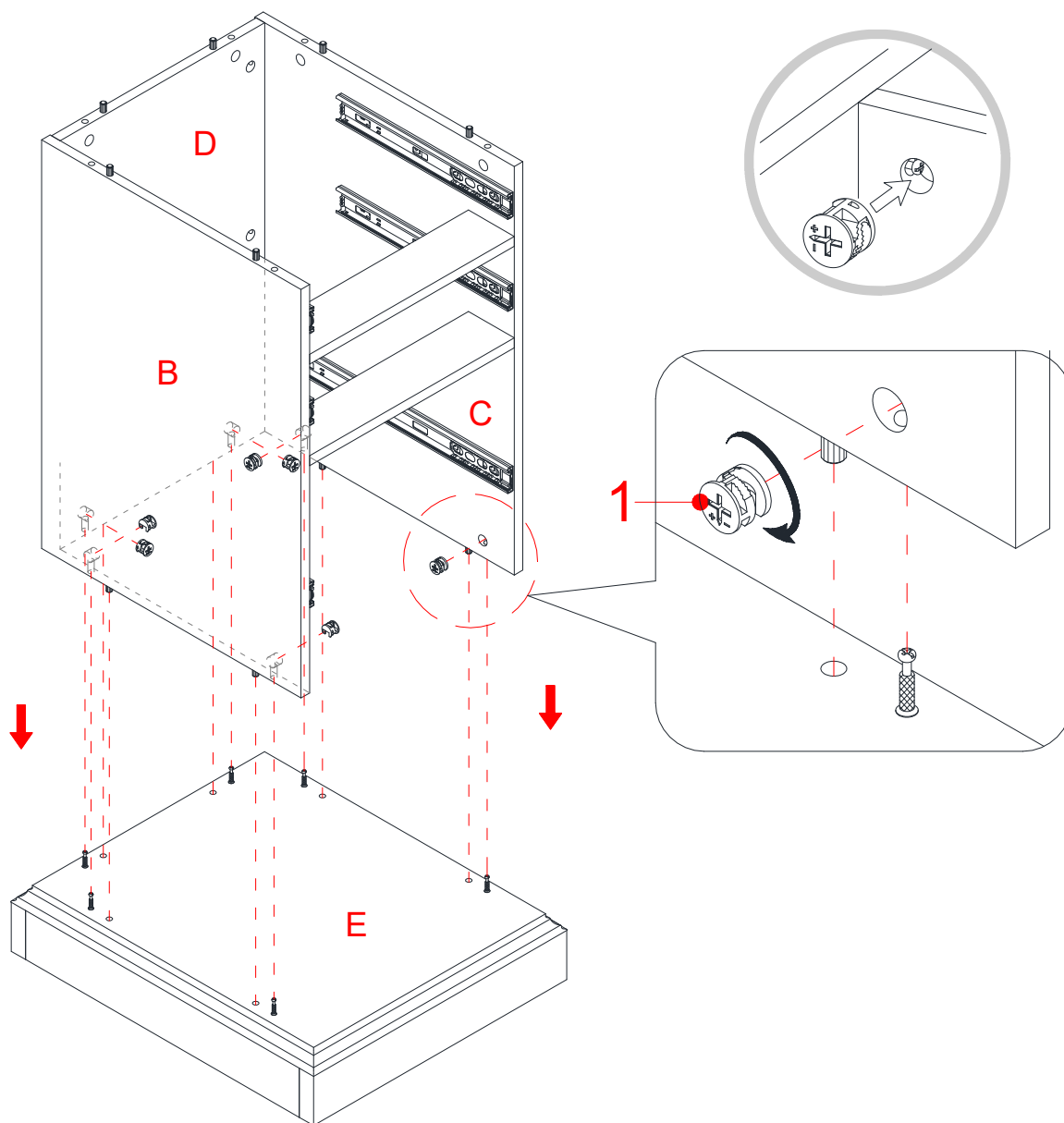
50. Repetir el mismo procedimiento para adjuntar los soportes cortos (H) al panel divisor (C).

Instrucciones de ensamble



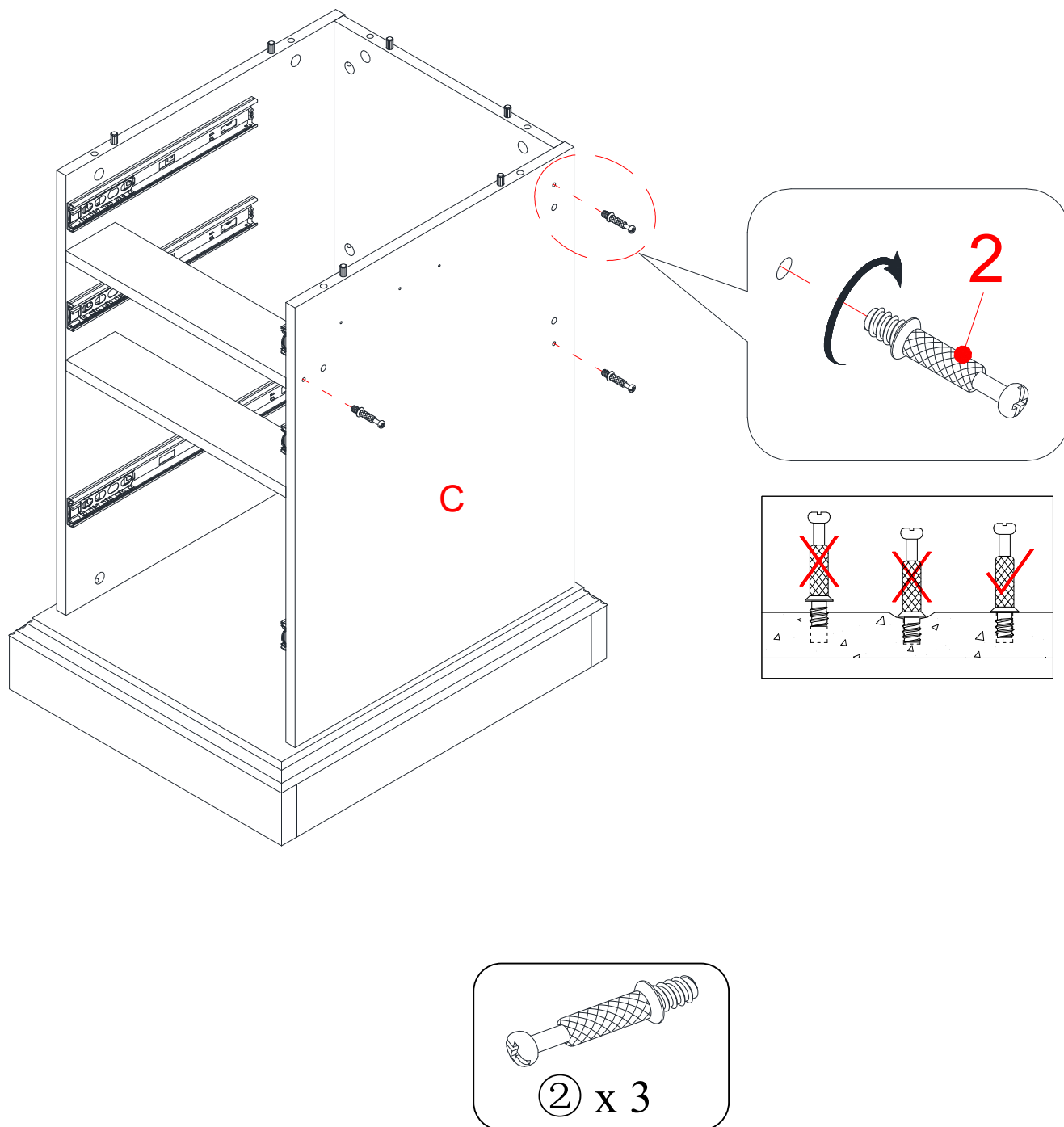
51. Adjuntar el panel izquierdo (B) al panel izquierdo posterior (D) y a los soportes cortos (H) empleando 5 tuercas de fijación grandes (1).

Instrucciones de ensamble



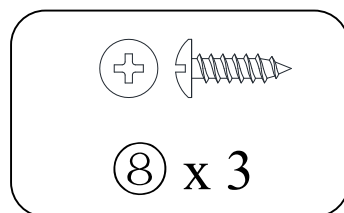
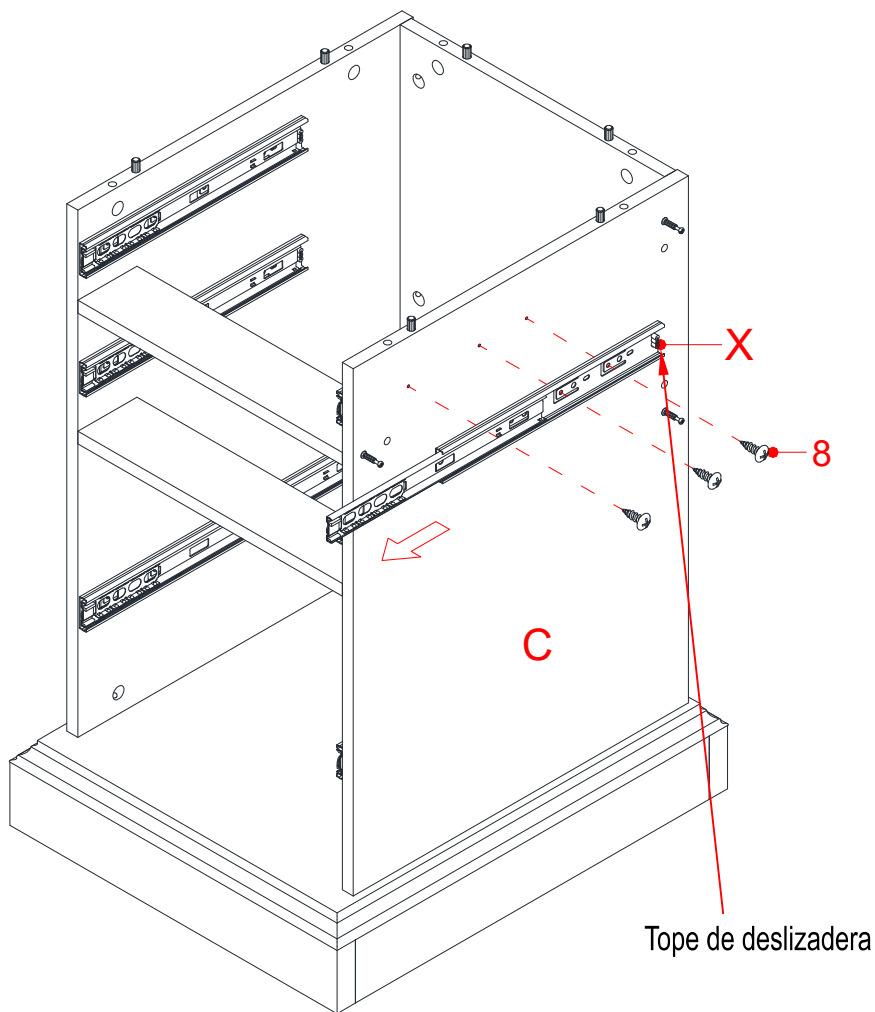
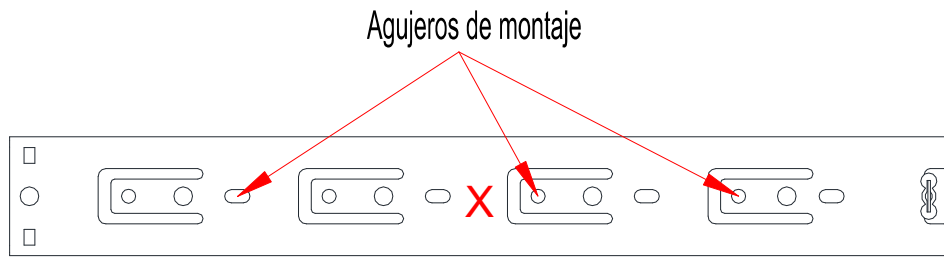
52. Adjuntar el ensamble previo al panel izquierdo inferior (E) con 6 tuercas de fijación grandes (1).

Instrucciones de ensamble



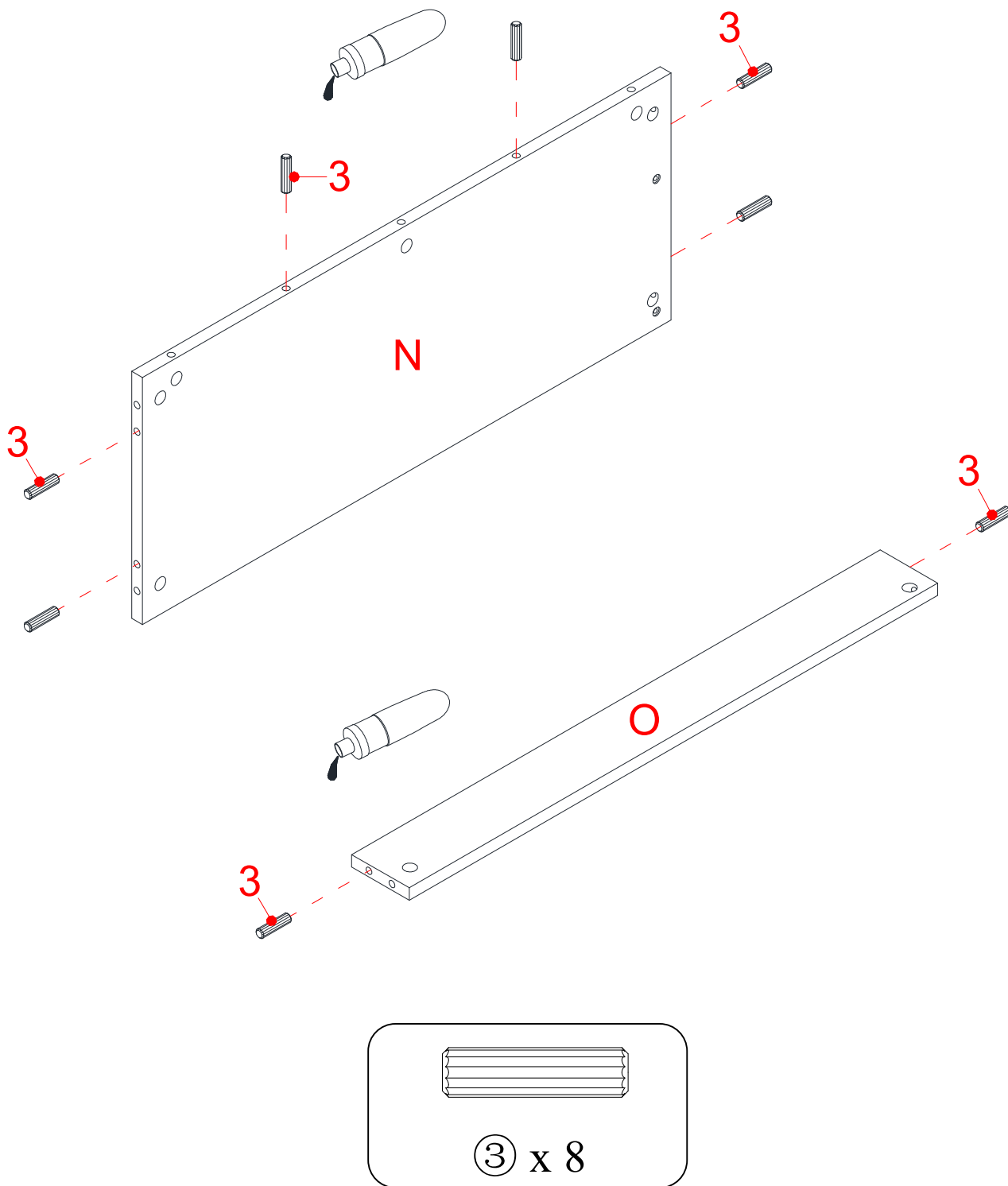
53. Atornillar 3 pernos de fijación (2) en los agujeros chicos designados en el lado exterior del panel divisor (C).

Instrucciones de ensamble



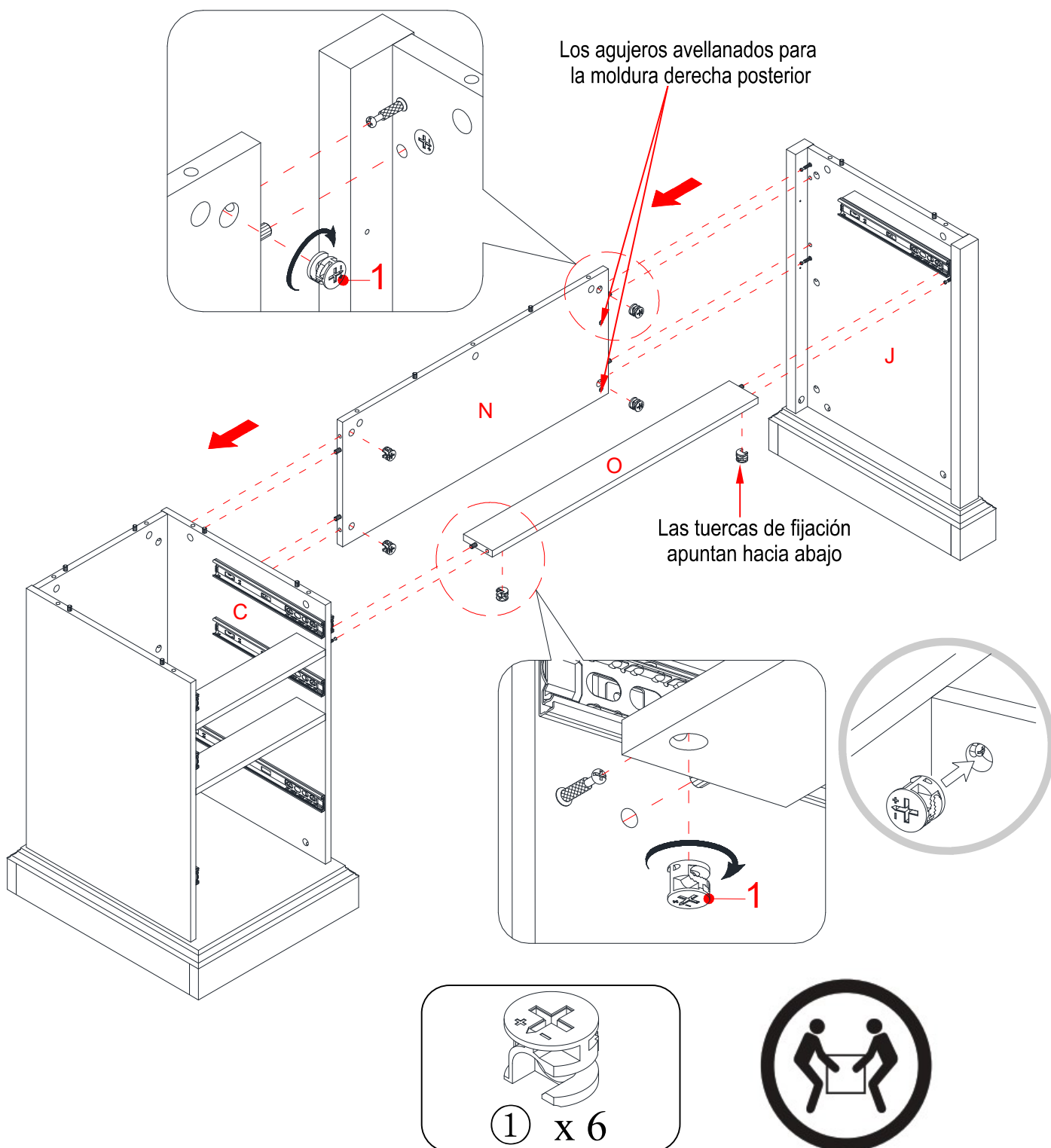
54. Usando los agujeros pilotos como guía, adjuntar el carril de corredera separada de 12" (X) al panel divisor (C) con 3 pernos de 12 mm (8).

Instrucciones de ensamble



55. Pegar las clavijas de madera grandes (3) en los agujeros internos del panel de modestia (N) y del soporte largo (O) como se muestra.

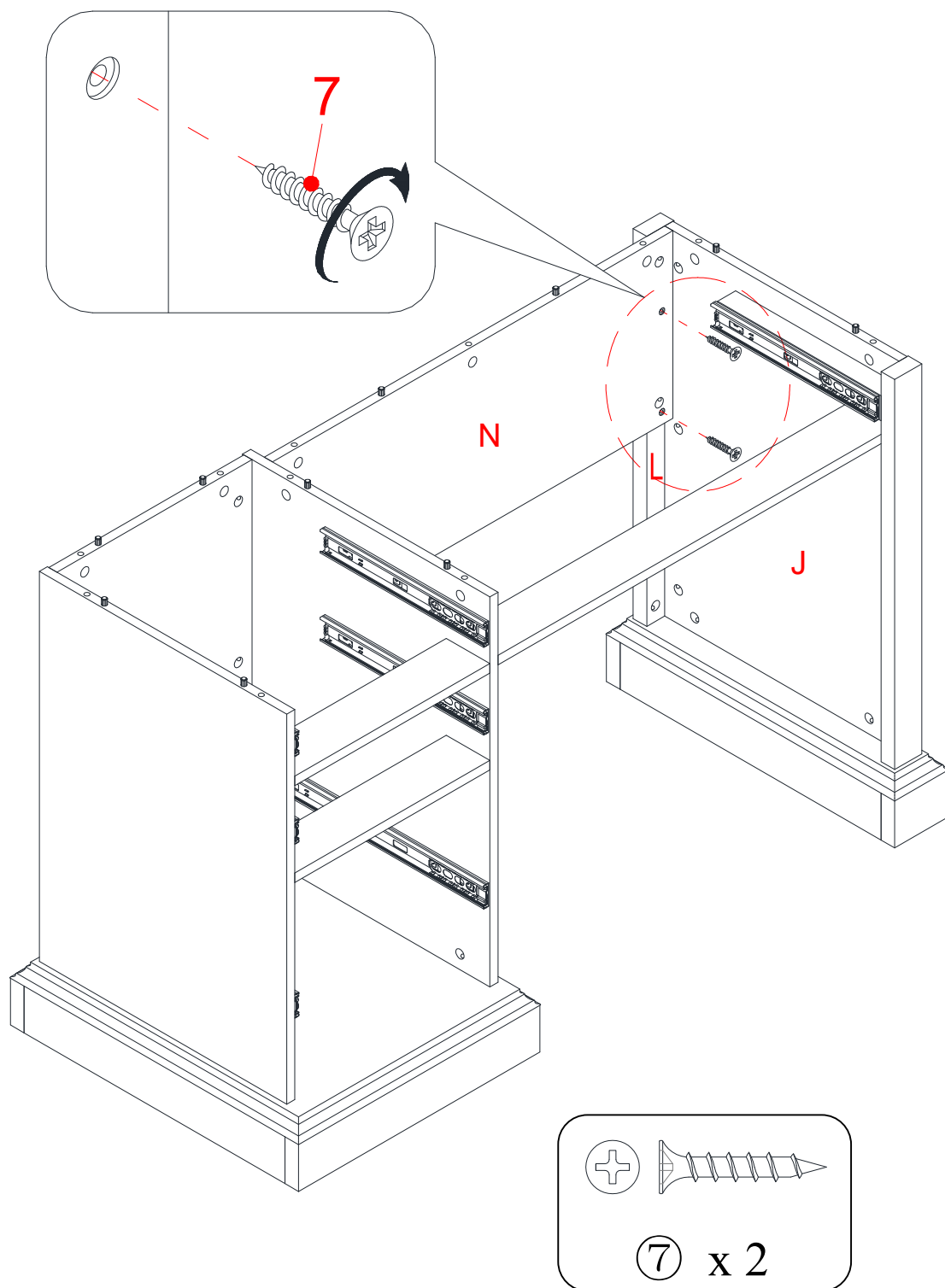
Instrucciones de ensamble



56. Adjuntar el panel de modestia (N) y el soporte largo (O) al panel divisor (C) con 3 tuercas de fijación grandes (1) como se muestra.

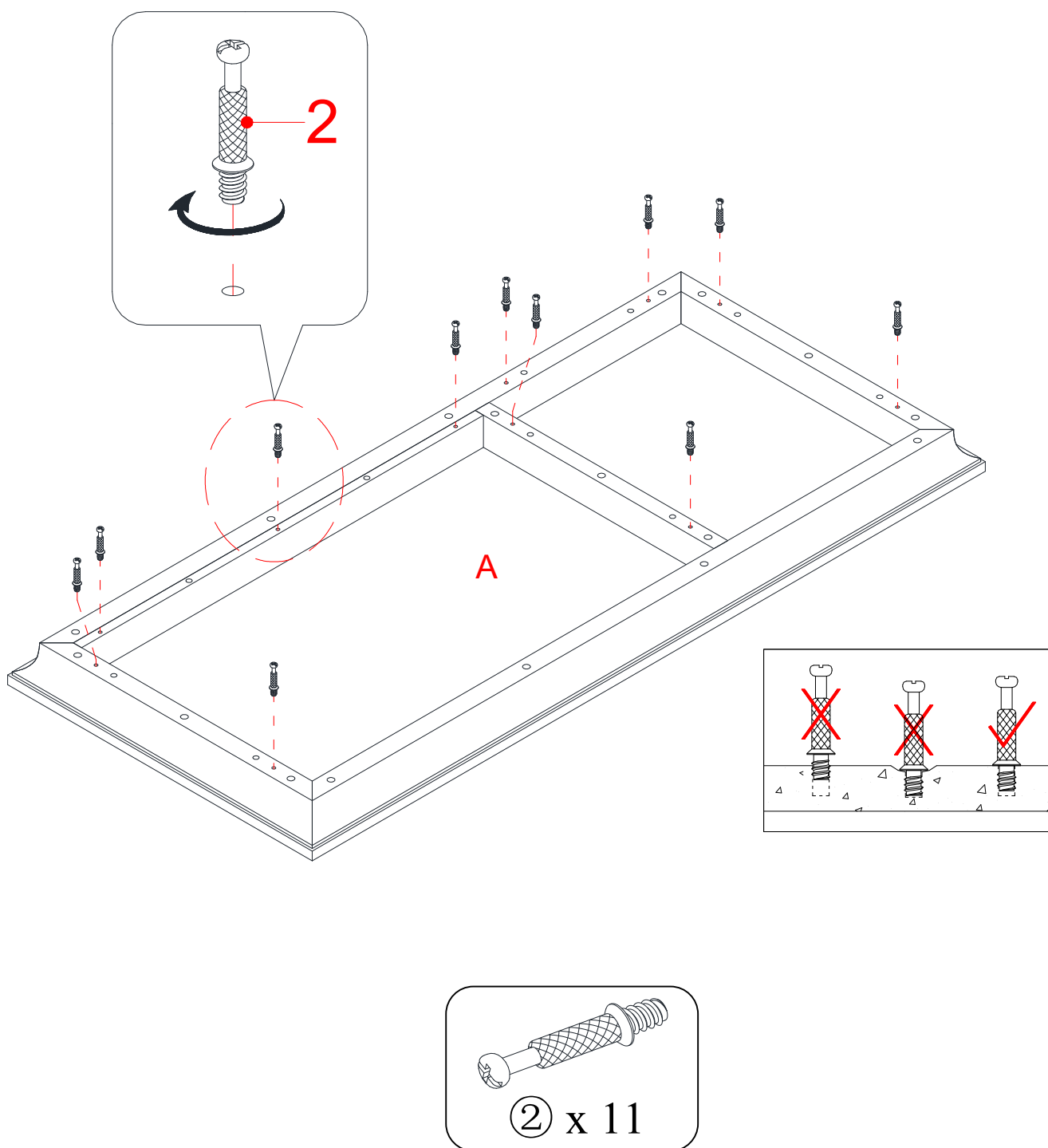
57. Repetir el mismo procedimiento para adjuntar el panel derecho (J) al lado opuesto.

Instrucciones de ensamble



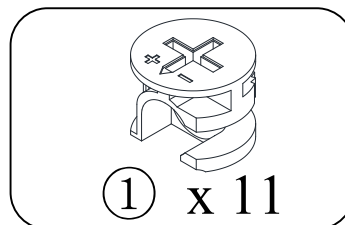
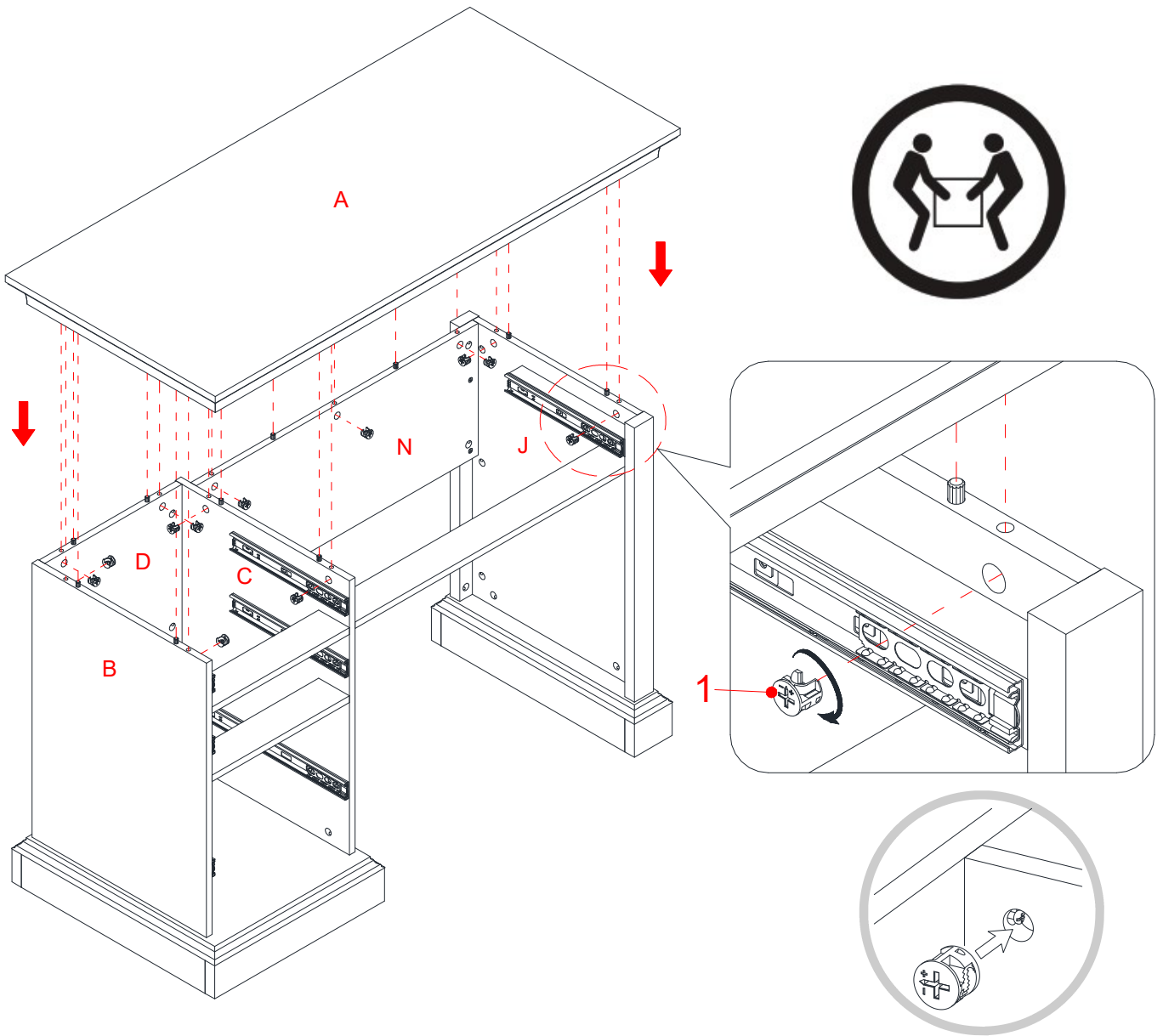
58. Sujetar el panel de modestia (N) a la moldura posterior (L) con 2 pernos de 25 mm (7).

Instrucciones de ensamble



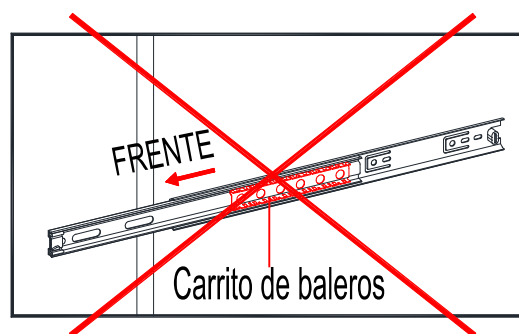
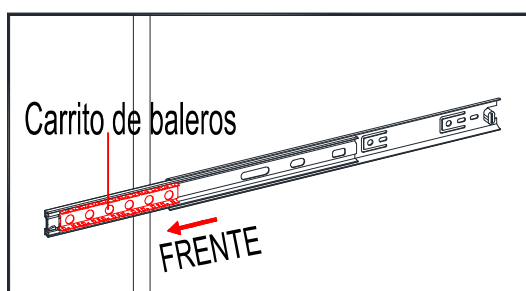
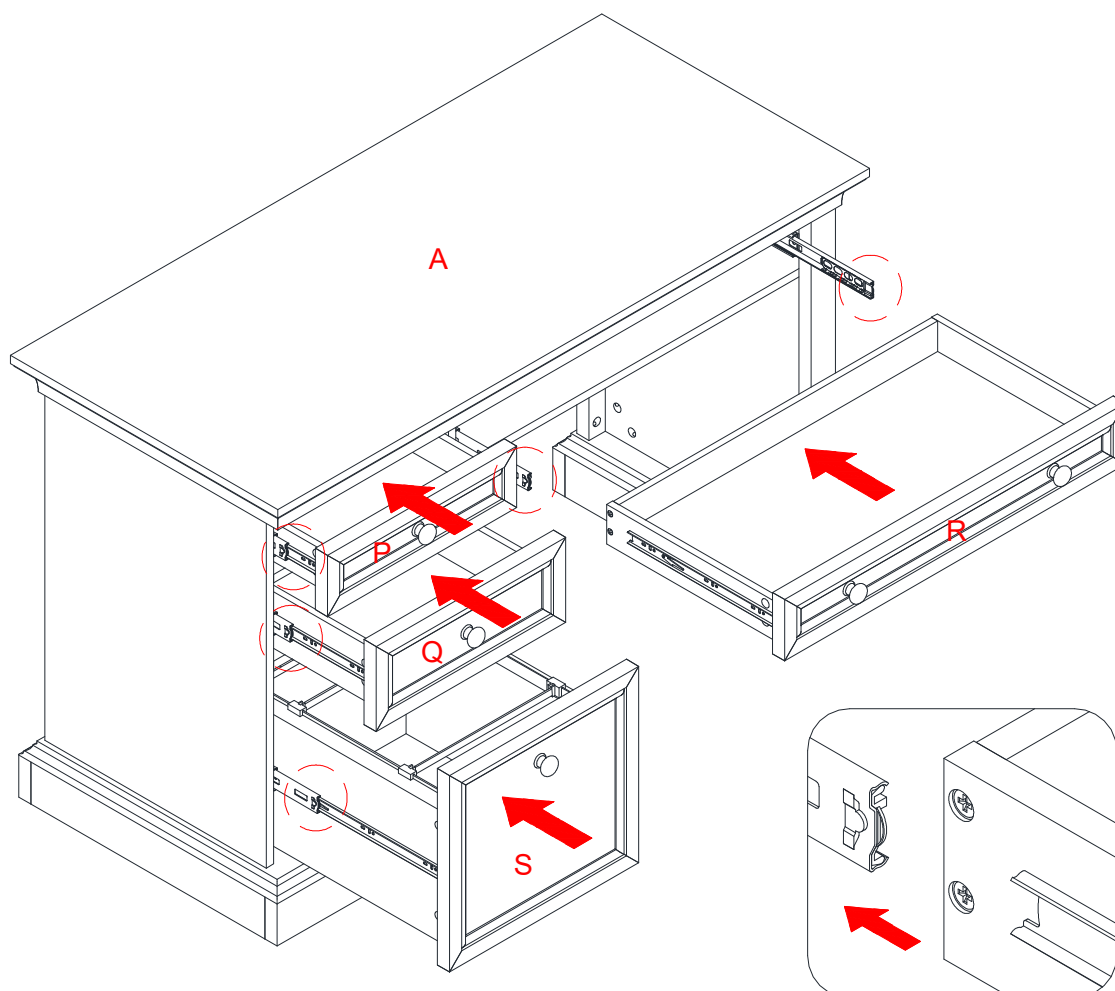
59. Atornillar los pernos de fijación (2) a los agujeros chicos designados en el panel superior (A).

Instrucciones de ensamble



60. Poner el panel superior (A) en las clavijas de madera grandes insertadas (3) en los paneles verticales y sujetar en su lugar empleando 11 tuercas de fijación grandes (1).

Instrucciones de ensamble

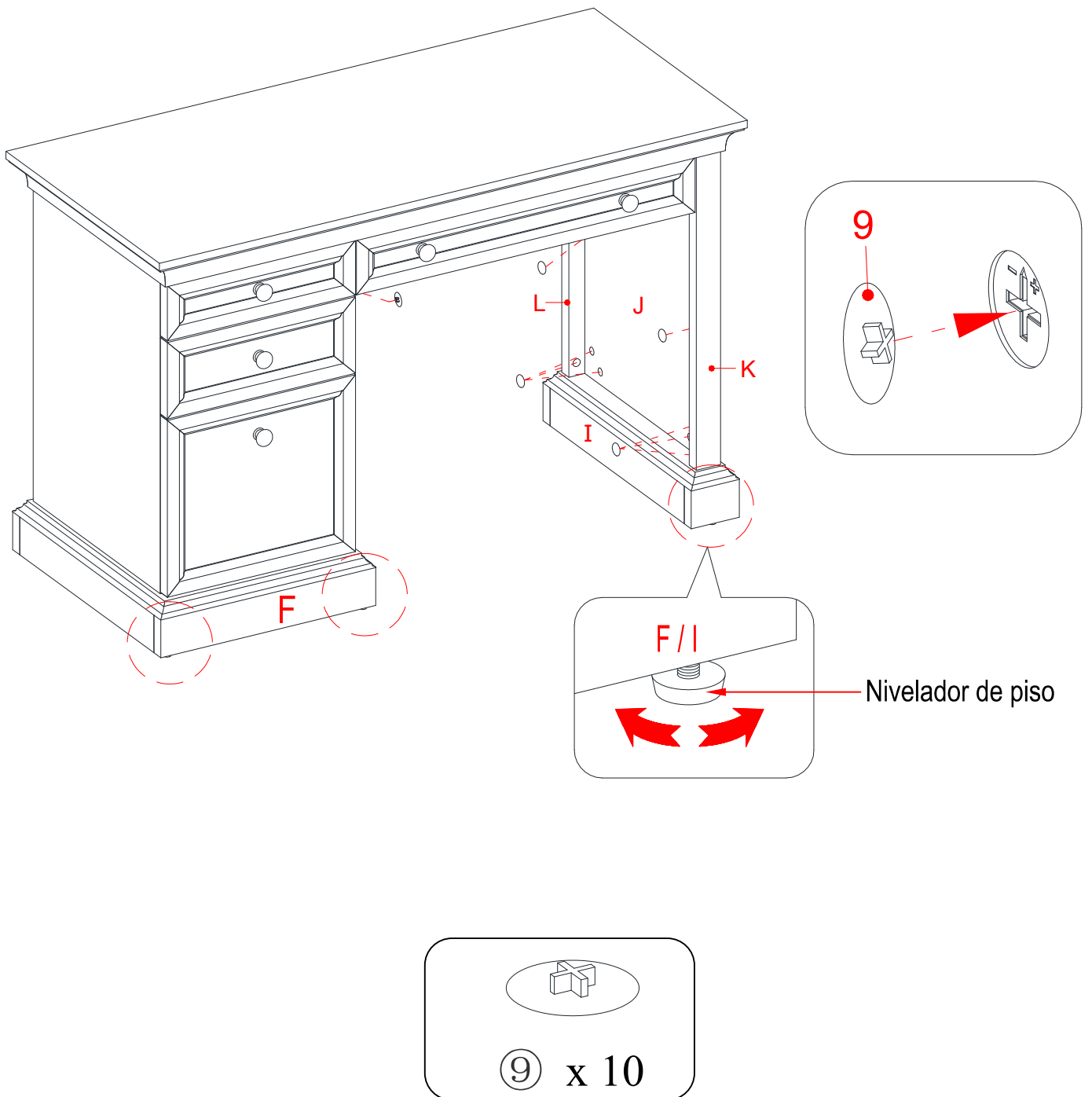


Instalación del cajón

61. Insertar los cajones ensamblados en el marco. Extender los carriles de la corredera de baleros en la unidad todo el camino hacia enfrente (incluyendo el carrito de baleros). Luego alinear los complementos de corredera en el cajón ensamblado con los carriles de corredera y empujar el cajón hacia adentro hasta que tope.

NOTA: Si el cajón no se mueve suavemente, por favor saque y repita el paso. Si necesita sacar el cajón, por favor jale el cajón todo el camino, y empuje simultáneamente las palancas de liberación de plástico de las correderas de baleros hacia arriba en una y hacia abajo en la otra, después jalé el cajón completamente afuera.

Instrucciones de ensamble



62. Pedir asistencia para poner el escritorio en el lugar deseado. Si fuera necesario, ajustar los niveladores de piso pre-adjuntados en la parte inferior de la base derecha (I) y del soporte inferior frontal (F) para corregir inclinación.

63. Colocar la tapa de las tuercas de fijación (9) sobre las tuercas de fijación visibles para esconder.

Mantenimiento y cuidados

- Use una toalla suave y limpia para evitar daños y rayaduras.
- Uso de cera para pulir muebles no es necesario. Si desea usar cera cheque en un área que no sea visible para revisar su funcionamiento.
- Usar solventes de cualquier tipo puede dañar el acabado del mueble.
- Nunca use agua para limpiar la unidad, ya que le puede dañar el acabado.
- Siempre utilice protección para vasos cuando los ponga sobre la unidad.
- Líquidos derramados deben limpiarse inmediatamente, con una toalla suave evitando tallar.
- Siempre utilizar protectores en caso de poner cosas calientes. El calor puede provocar una reacción química en el acabado y dañarlo.
- En caso que su unidad sea manchada durante el uso le recomendamos hablar a un profesional para que le ayude.
- Revisar los pernos y tornillos periódicamente y apriételos si es necesario.

Más recomendaciones para el cuidado de su mueble

Es lo mejor mantener la unidad en una area de clima controlado. Temperatura extrema y cambios de humedad pueden causar cambios como partes pandas, molduras que se contraigan o que la madera se raje. Es recomendable mantener la unidad lejos del sol directo ya que puede dañar el acabado.

Cuidados adecuados y limpieza pueden extender la vida útil de su unidad. Siga estas recomendaciones y mantendrá su mueble en buenas condiciones de uso por muchos años.

Un plumón de retoque es proveído en caso de pequeñas raspaduras o golpes que sucedan durante el ensamble o envío.

Esperamos que disfrute su mueble por muchos años.
¡Gracias por su compra!

GARANTÍA DE CALIDAD

Nosotros estamos seguros que usted se encontrará feliz con la compra de este producto de Whalen Furniture.

Si este producto tiene algún defecto de ensamble o material, o si tiene alguna falla en uso normal, nosotros lo repararemos o lo re-emplazaremos hasta por un año a partir de la fecha de compra. Todo producto de Whalen Furniture es diseñado para alcanzar sus expectativas más altas. Nosotros le garantizamos que inmediatamente podrá ver el valor de nuestra mercancía de la más alta calidad.

Esta garantía le proporciona derechos legales específicos y tal vez tenga otros derechos que varían de estado a estado.

Whalen Furniture Manufacturing
1578 Air Wing Road, San Diego, CA 92154, USA
Servicio al cliente: 866-942-5362
Hora Estándar del Pacífico: 8:30 a.m. - 4:30 p.m., de Lunes a Viernes
www.whalenstyle.com