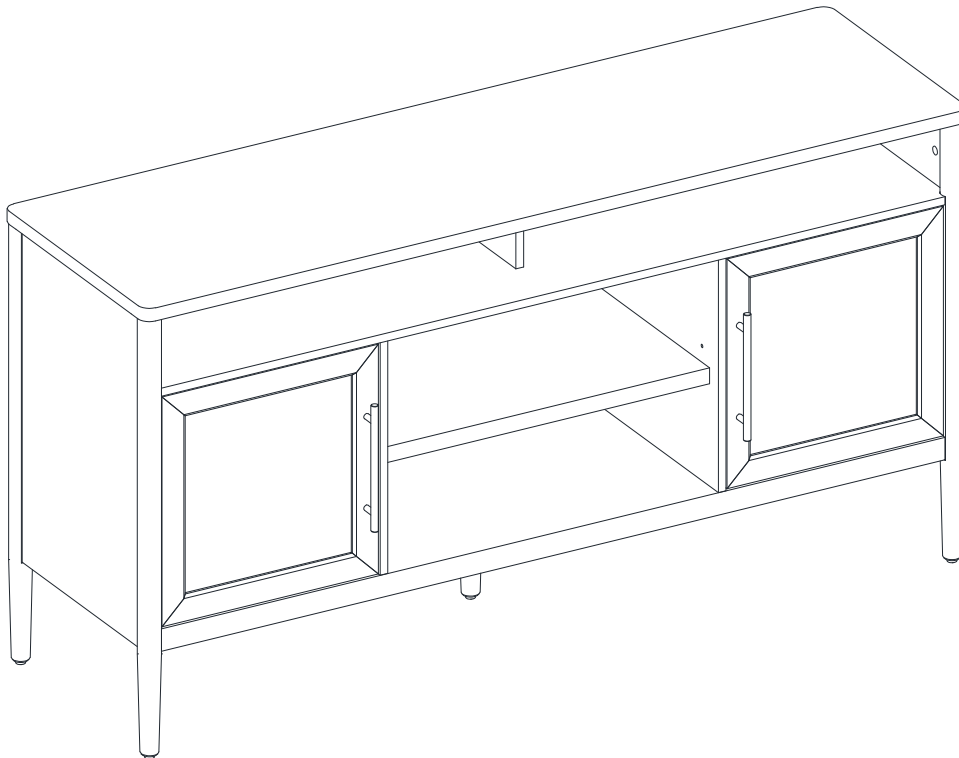


## Oaklee Media Console

Stock # BHS3025004001



### **ADULT ASSEMBLY REQUIRED**

If you have any questions regarding assembly or if parts are missing, DO NOT return this item to the store where it was purchased. Please call our customer service number and have your instructions and parts list ready to provide the model name, part name or factory number:

**866-942-5362**

Pacific Standard Time: 8:30 a.m. - 4:30 p.m., Monday - Friday

Or visit our web site 24 hours a day, 7 days a week for product assistance at

**[www.whalenstyle.com](http://www.whalenstyle.com)**

Or e-mail your request to **[parts@whalenfurniture.com](mailto:parts@whalenfurniture.com)**

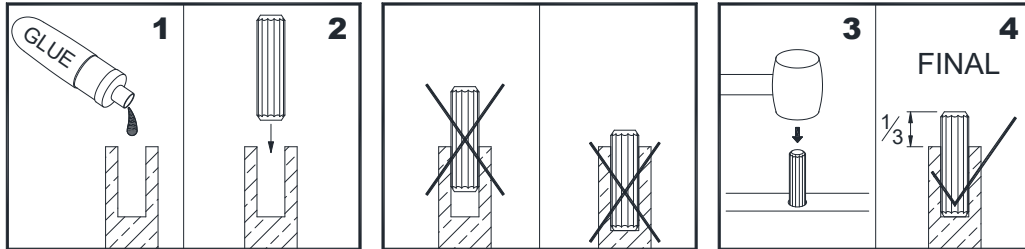
**THIS INSTRUCTION BOOKLET CONTAINS IMPORTANT SAFETY INFORMATION.  
PLEASE READ AND KEEP FOR FUTURE REFERENCE.**

## IMPORTANT

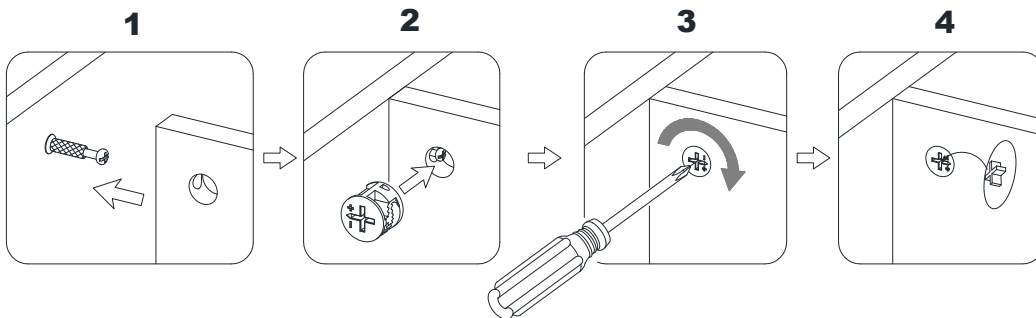
**Before you begin:** Open, identify and count all parts prior to assembly. Lay out parts on a flat and non-abrasive surface. You will need the parts identified on page 3 and 4 of this instruction manuals.

**NOTE:** IT IS VERY IMPORTANT TO USE GLUE WITH DOWELS. EXCESS GLUE CAN BE WIPED OFF WITH DAMP CLOTH.

Insert the dowel at least half way by tapping lightly with a rubber mallet, IF NECESSARY.



## CAM LOCK SYSTEM OPERATION



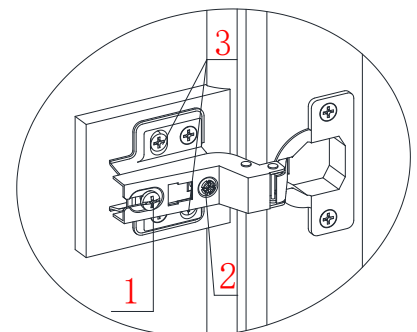
## HOW THE KNOCK DOWN (KD) ASSEMBLY SYSTEM WORKS

1. Screw the Cam Bolt into the threaded inserts on the panel. Connect both panels together; making sure Cam Bolt goes into the pre-drilled hole on the end of panel for Cam Lock.
2. Insert the Cam Lock into the pre-drilled large hole on the panel. Make sure the arrow on the face of Cam Lock faces out and points towards Cam Bolt.
3. Take a Phillips screwdriver and rotate the Cam Lock clockwise to lock the Cam Bolt in place.
4. Plug the Cam Lock Cover into the cross slot of the Cam Lock to conceal the Cam.

## How to adjust the Euro-style adjustable hinges on doors

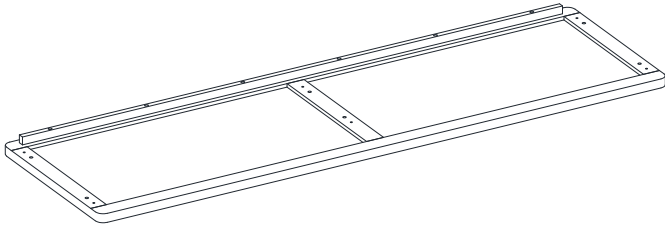
Shipping may cause doors to become out of alignment. If you find that the doors need to be adjusted slightly, turn the appropriate screw as illustrated below.

1. TO ADJUST THE DOOR FORWARD OR BACKWARD.
2. TO ADJUST THE DOOR TO RIGHT OR TO LEFT.
3. TO ADJUST THE DOOR UP OR DOWN.

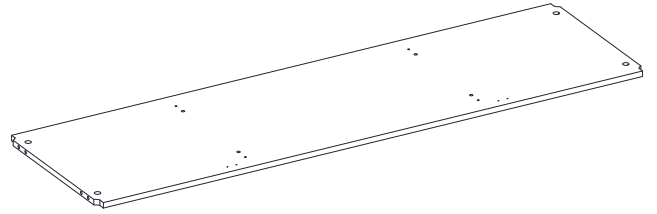


## Parts and Hardware List

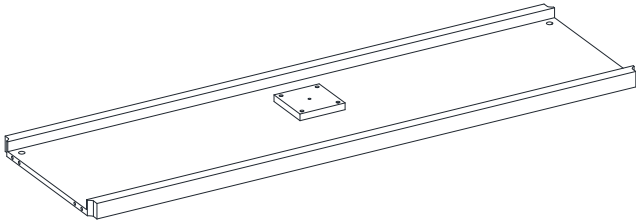
Please read completely through the instructions and verify that all listed parts and hardware are present before beginning assembly.



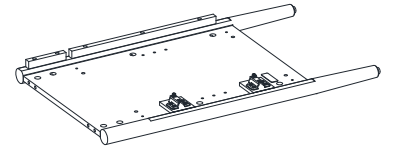
A- Top Panel  
(Qty. 1)



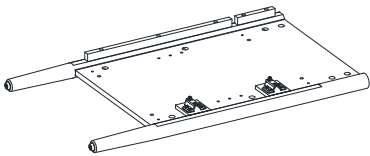
B- Media Shelf  
(Qty. 1)



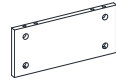
C- Bottom Panel  
(Qty. 1)



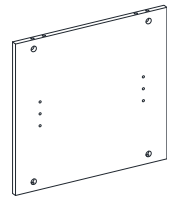
D- Left Side Frame  
(Qty. 1)



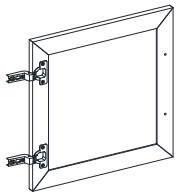
E- Right Side Frame  
(Qty. 1)



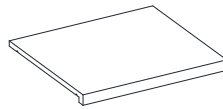
F- Upper Partition Panel  
(Qty. 1)



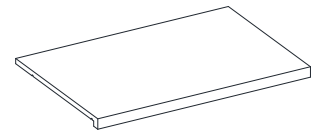
G- Lower Partition Panel  
(Qty. 2)



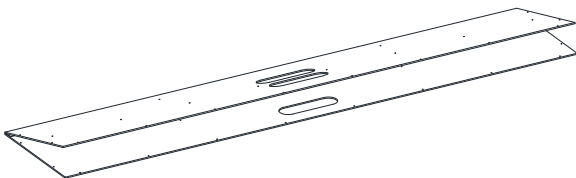
H- Door  
(Qty. 2)



I- Small Adjustable Shelf  
(Qty. 2)



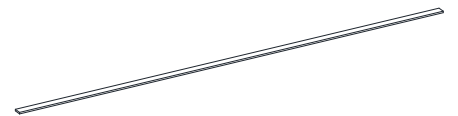
J- Large Adjustable Shelf  
(Qty. 1)



K- Back Panel  
(Qty. 1)



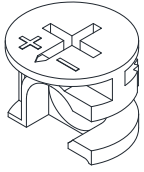
L- Support Foot  
(Qty. 1)



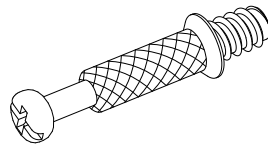
M- Stop Rail  
(Qty. 1)

## Parts and Hardware List

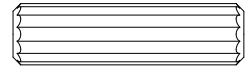
Please read completely through the instructions and verify that all listed parts and hardware are present before beginning assembly.



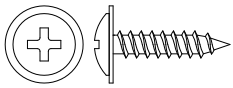
(1) Cam Lock  
(Qty. 24+1 extra)



(2) Cam Bolt  
(Qty. 24+1 extra)



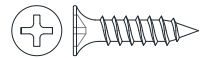
(3) M8 x 30 mm Wood Dowel  
(Qty. 24+1 extra)



(4) M3.5 x 15 mm Washer Head Screw  
(Qty. 36+1 extra)



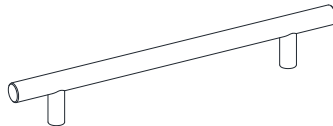
(5) Door Stopper  
(Qty. 2)



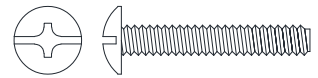
(6) M3 x 15 mm Screw  
(Qty. 4+1 extra)



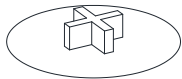
(7) Shelf Pin  
(Qty. 12+1 extra)



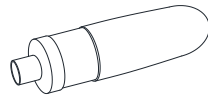
(8) Handle  
(Qty. 2)



(9) 5/32'' x 25mm Handle Bolt  
(Qty. 4+1 extra)



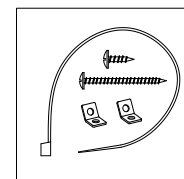
(10) Cam Lock Cover  
(Qty. 32+1 extra)



Glue  
(Qty. 1)



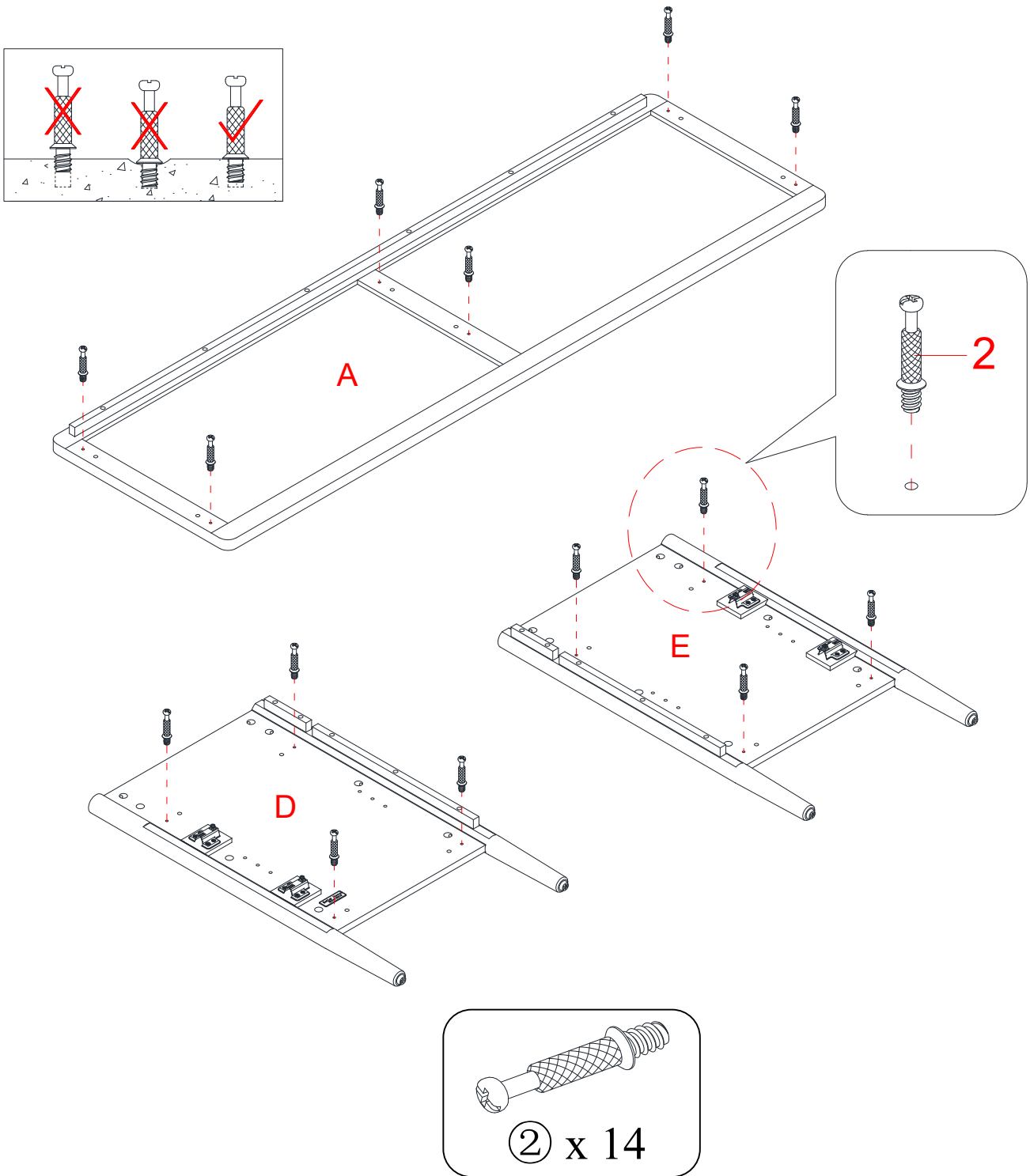
Touch-up Pen  
(Qty. 1)



Tipping Restraint Hardware Kit (Qty.2)  
(Included in plastic bag)

**Tools required (not provided):** Phillips's screwdriver, stud finder, tape measure, pencil, power drill and 1/8'' drill bit.

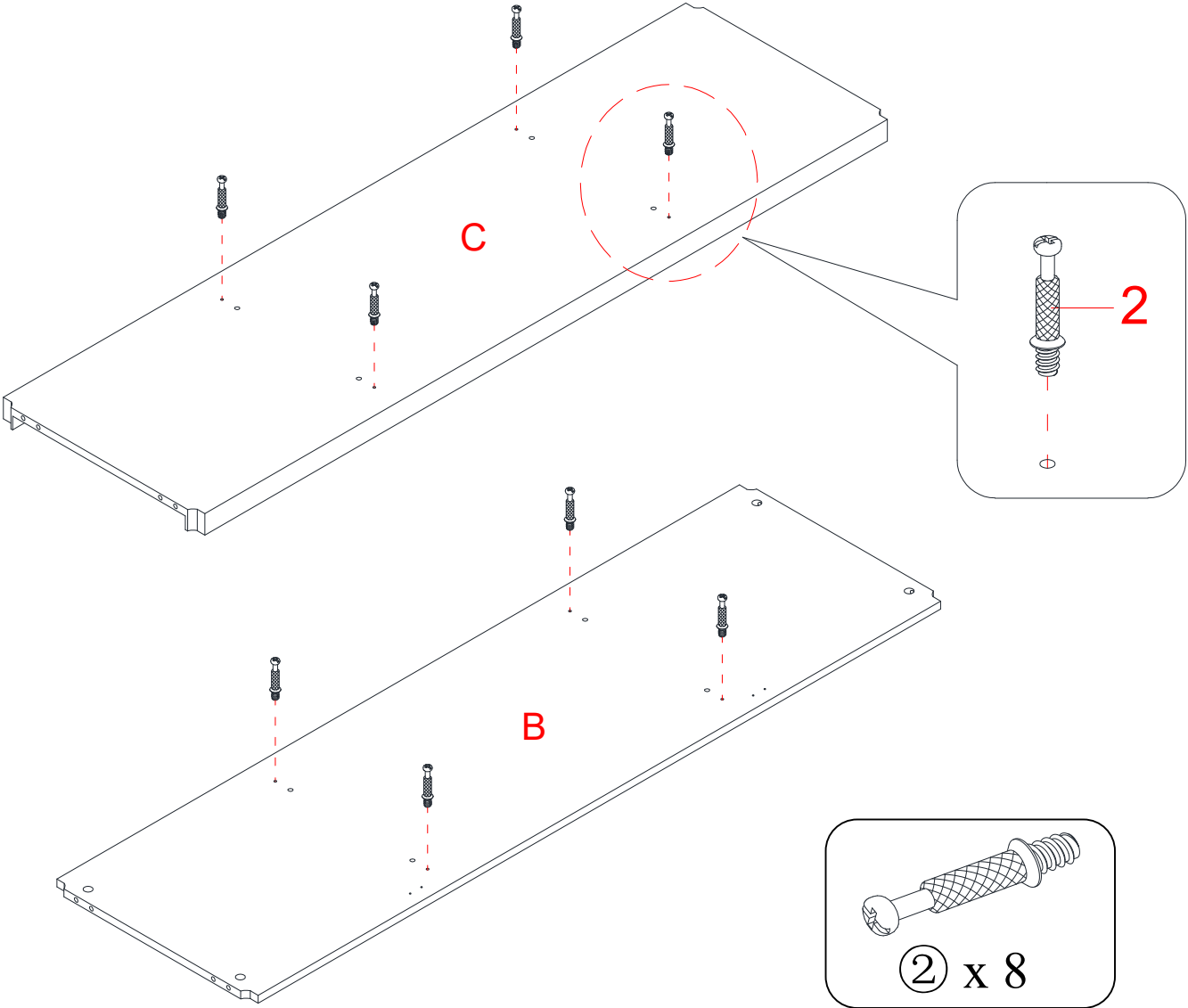
## Assembly Instructions



1. Unpack the unit and confirm that you have all the hardware and required parts listed. Assemble the unit on a carpeted floor or the empty carton to avoid any scratches.
2. Securely screw the Cam Bolts (2) into the designated small holes on the Top Panel (A) and Side Frames (D and E) using a Phillips screwdriver.

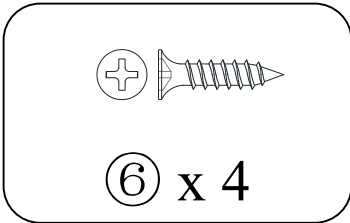
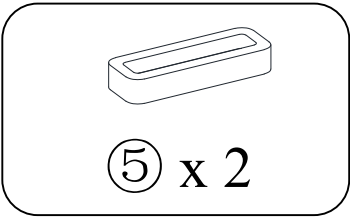
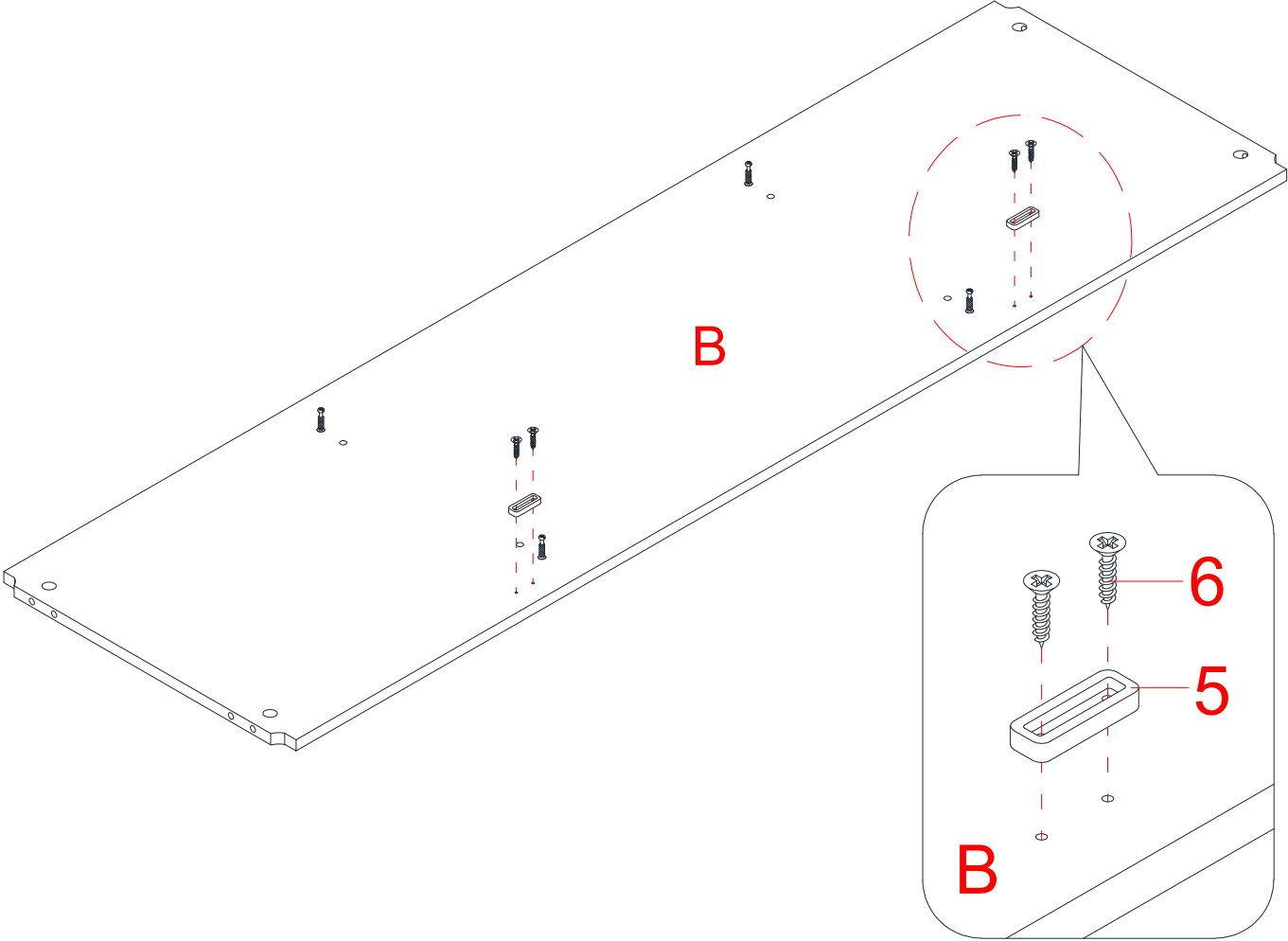
**NOTE:** Screw-in cam bolts must be screwed down flush.

# Assembly Instructions



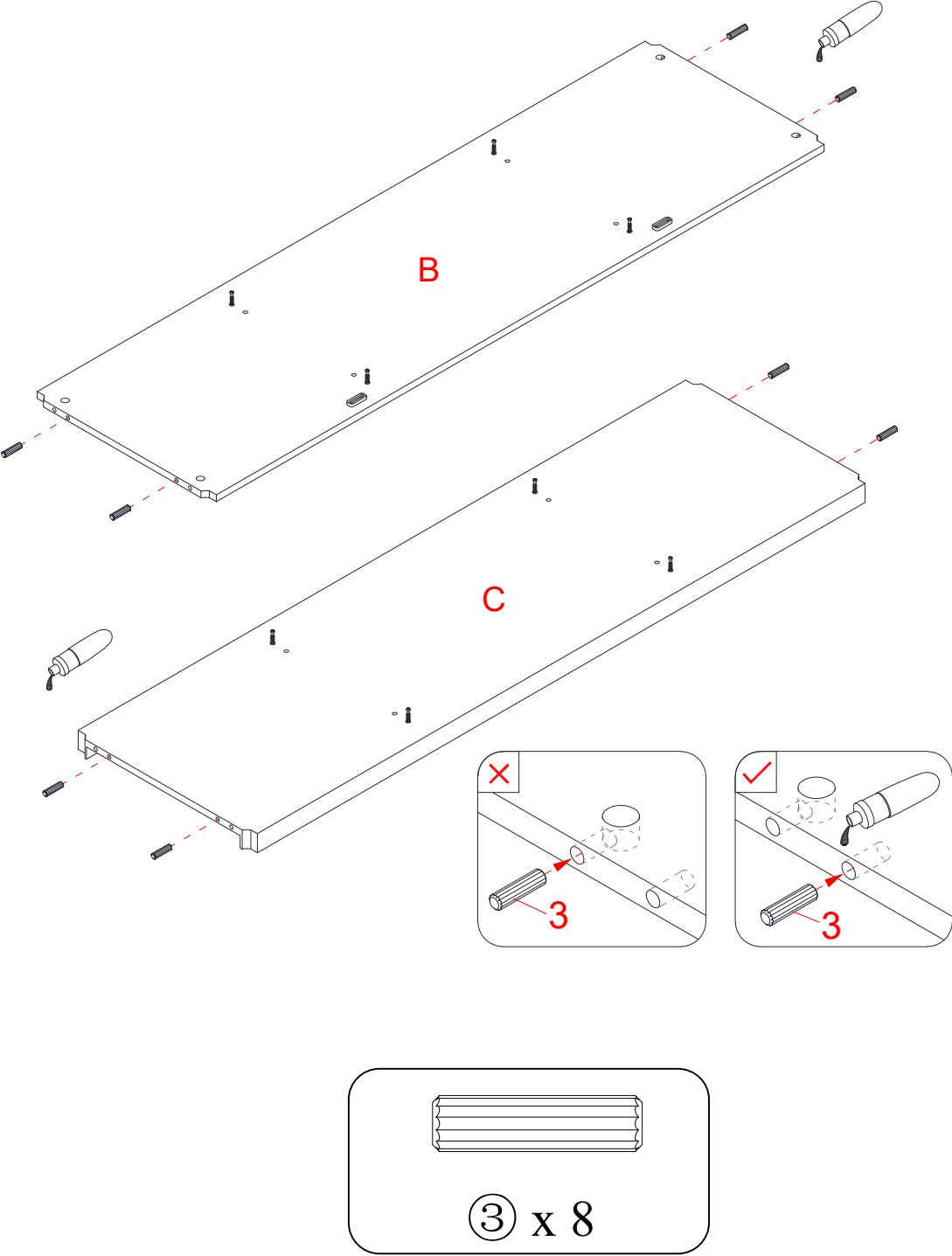
3. Securely screw the Cam Bolts (2) into the designated small holes on the Media Shelf (B) and Bottom Panel (C).

# Assembly Instructions



4. Using the pilot holes as a guide, fasten two Door Stoppers (5) to the Media Shelf (B) using four 15 mm Flat Head Screws (6).

# Assembly Instructions

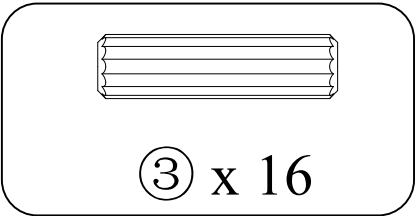
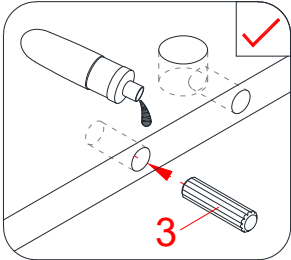
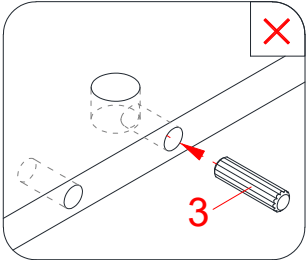
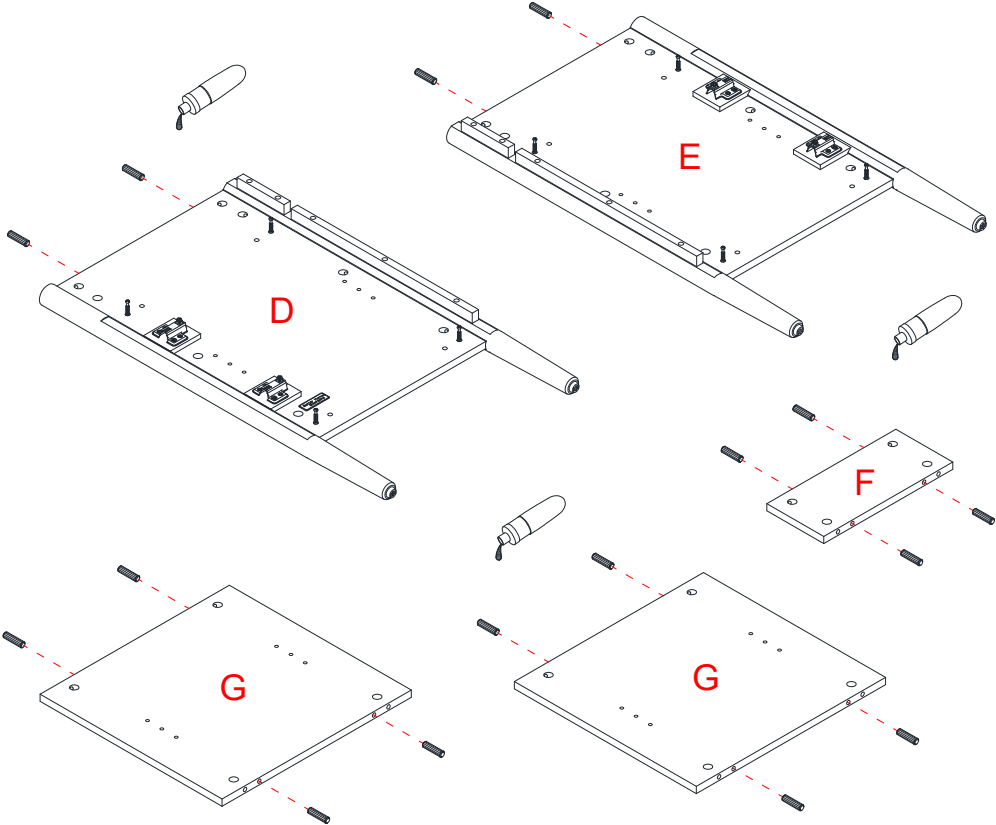


5. Glue the Wood Dowels (3) into the inner holes on the Media Shelf (B) and Bottom Panel (C) at both ends.

**NOTE:** It is very important to use a small amount of glue on both ends of dowels and wipe away the excess glue immediately.

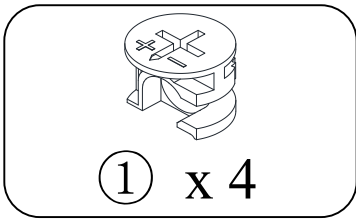
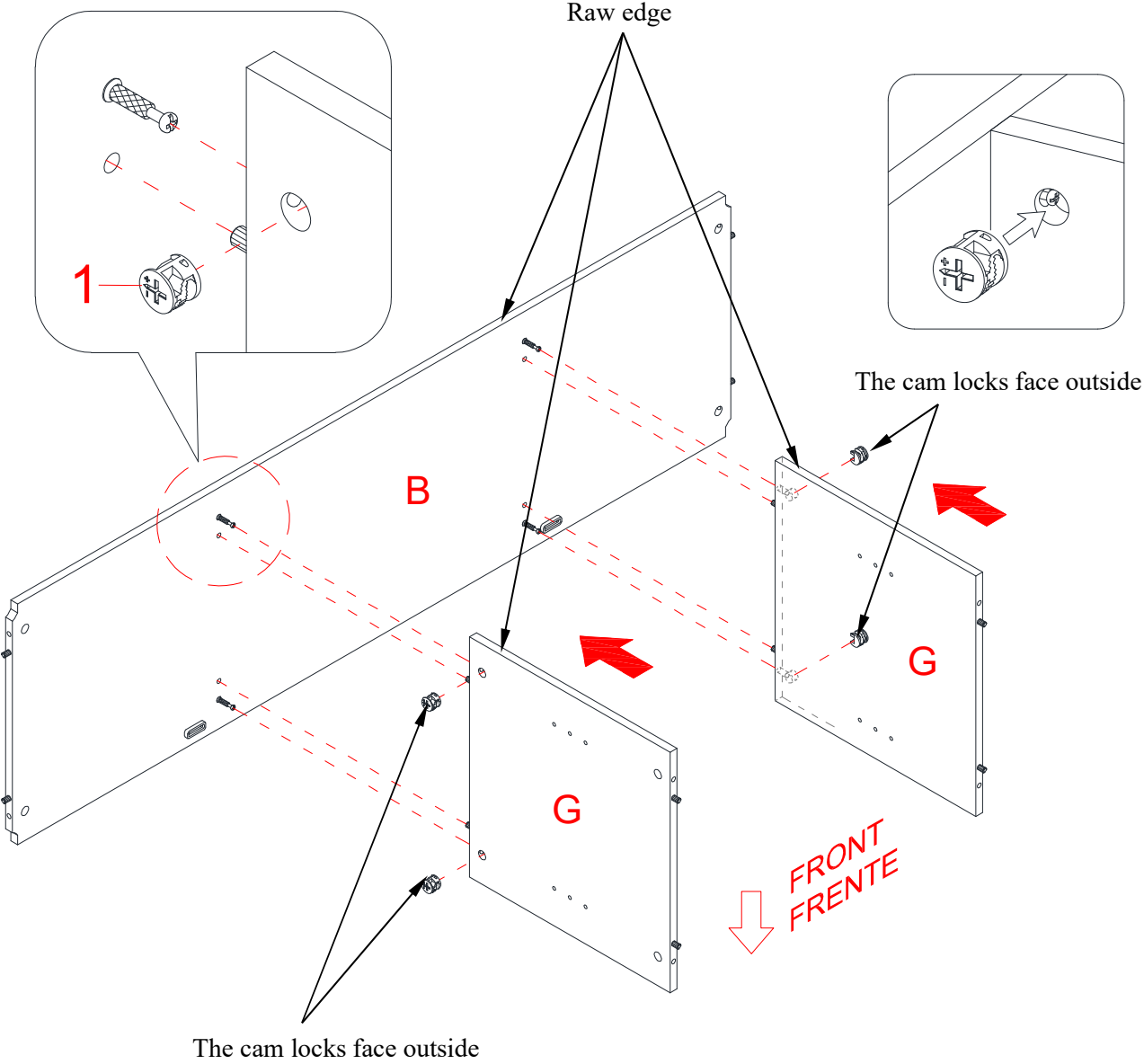


# Assembly Instructions



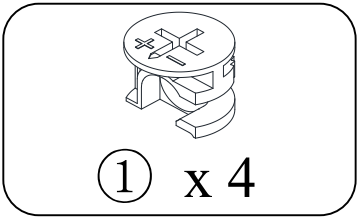
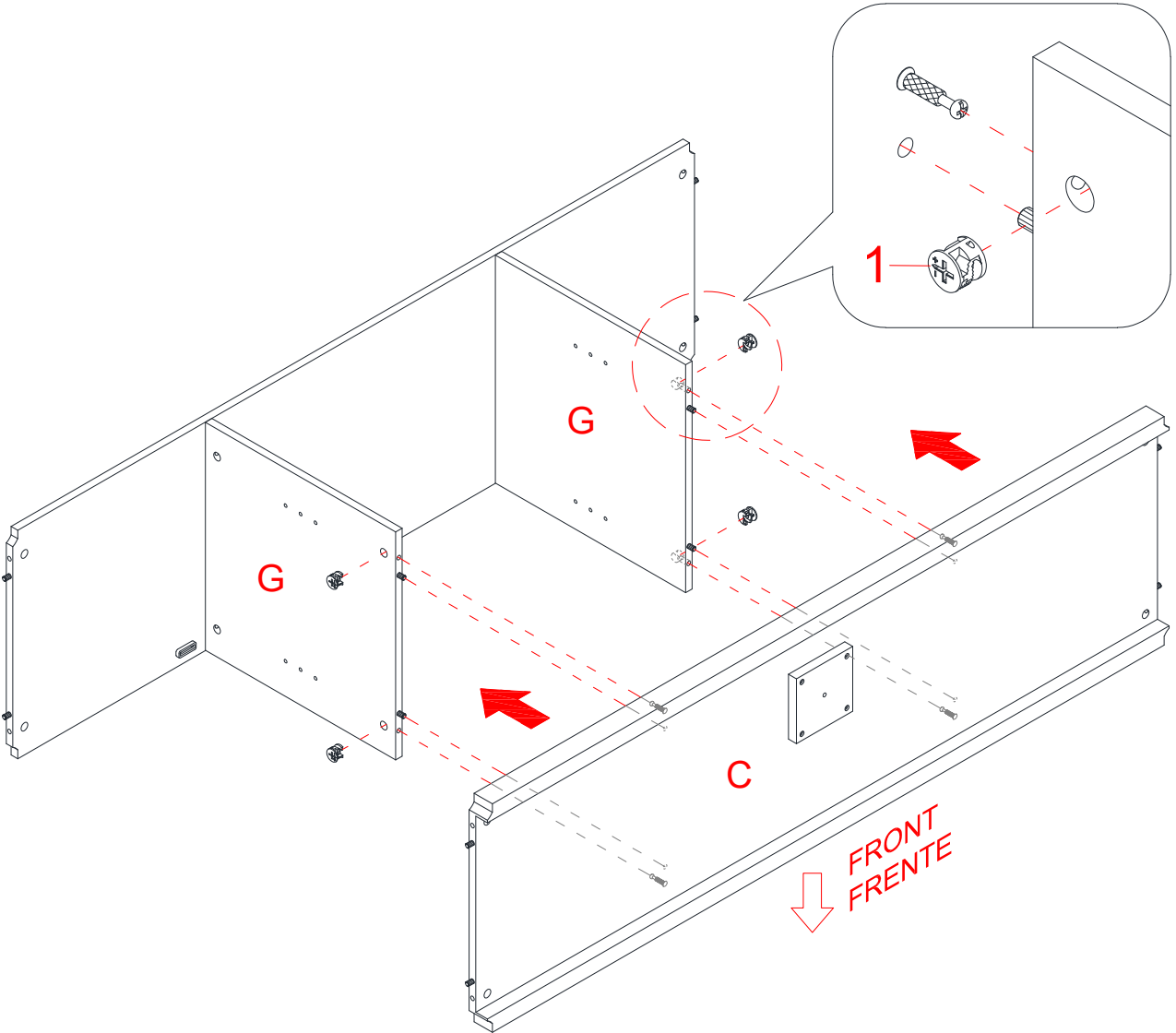
6. Glue the Wood Dowels (3) into the inner holes on the Side Frames (D and E) and Partition Panels (F and G) as shown.

# Assembly Instructions



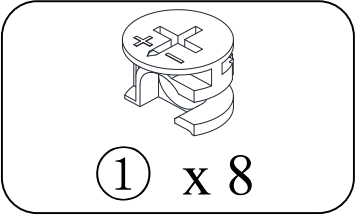
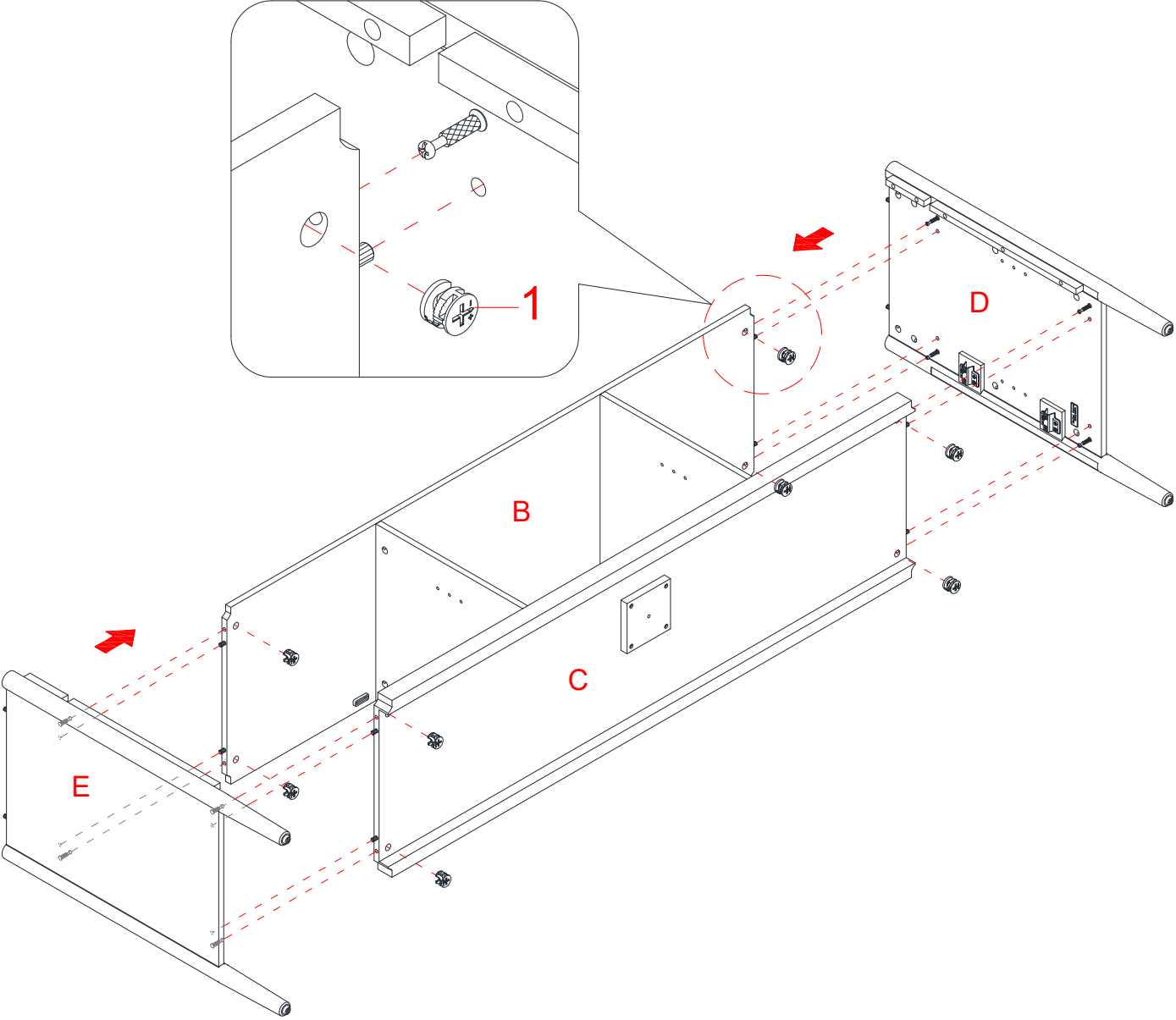
7. Orient and attach the Lower Partition Panels (G) to the Media Shelf (B) by engaging 4 Cam Locks (1). (Refer to page 2 on Cam Lock system operation supplement)

# Assembly Instructions



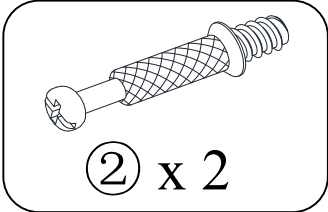
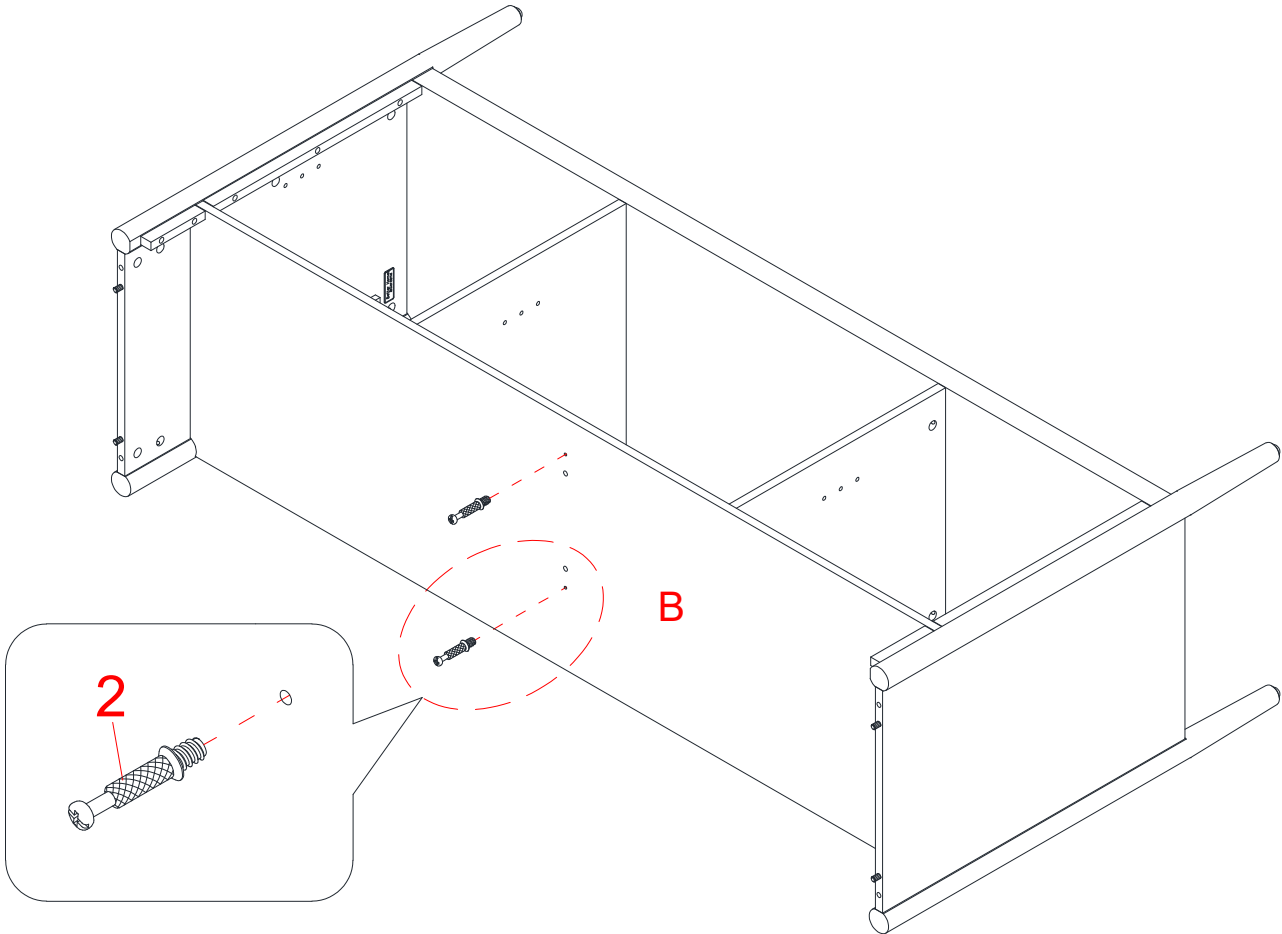
8. Orient and attach the Bottom Panel (C) to the Lower Partition Panels (G) with 4 Cam Locks (1).

# Assembly Instructions



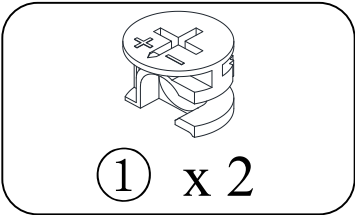
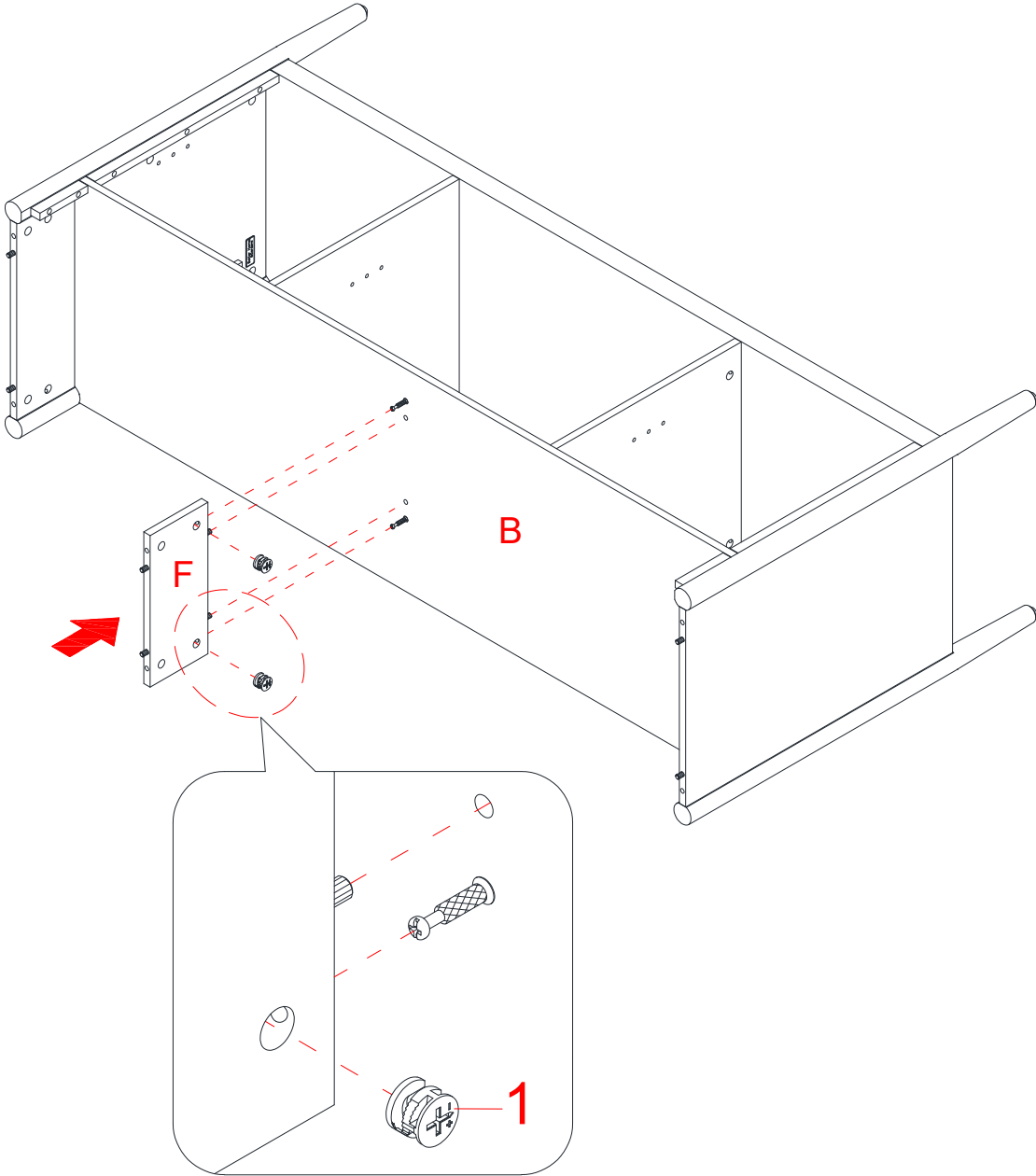
- 9. Align the large holes on Left Side Frame (D) with the inserted wood dowels on the previous assembly. Firmly press them together and fasten it into place with 4 Cam Locks (1).
- 10. Repeat the same procedure to attach the Right Side Frame (E) at the other end.

# Assembly Instructions



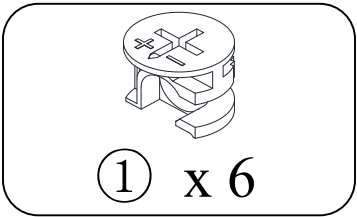
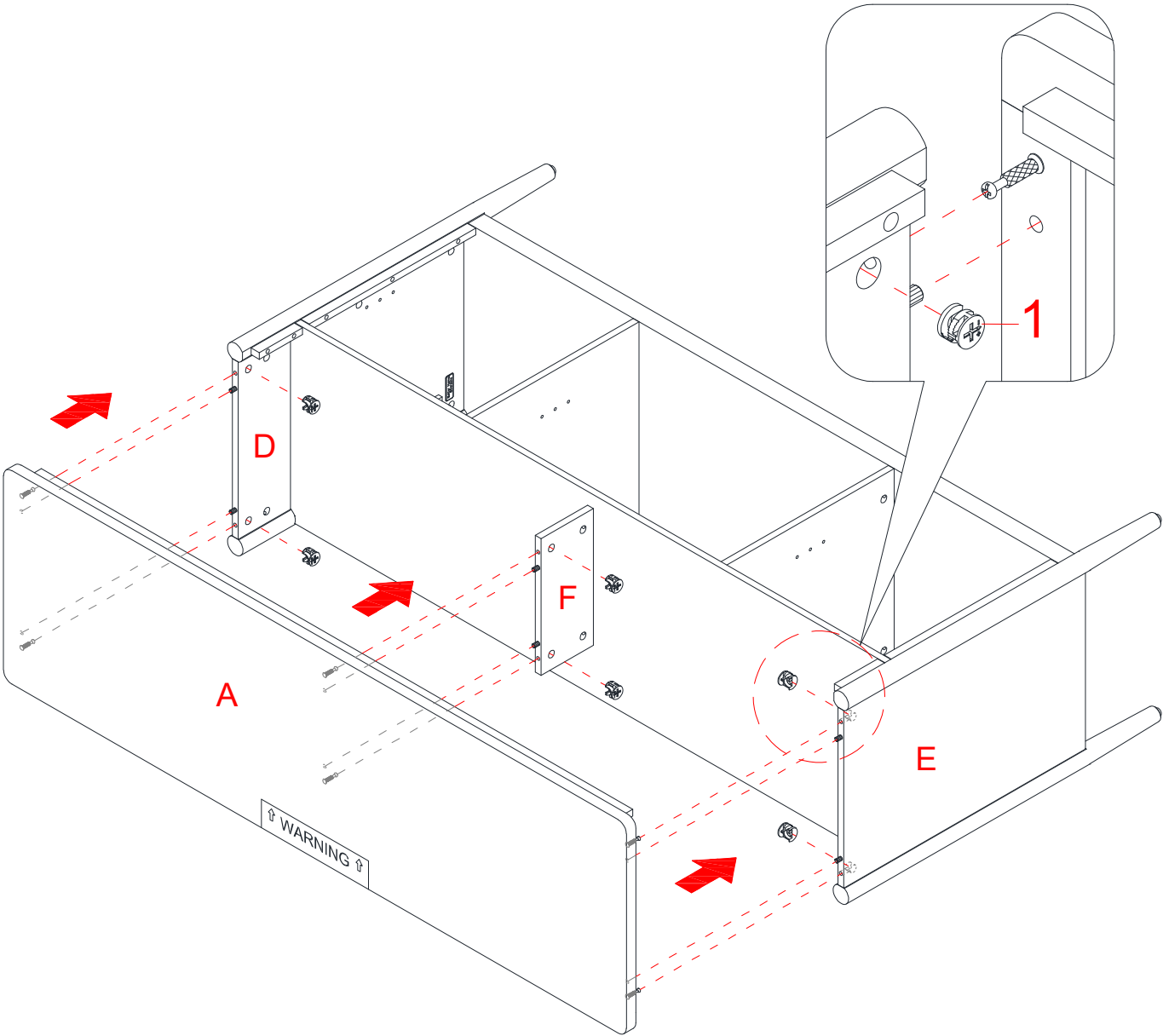
11. Securely screw two Cam Bolts (2) into the designated small holes on the surface of the Media Shelf (B) using a Phillips screwdriver.

# Assembly Instructions



12. Attach the Upper Partition Panel (F) to the Media Shelf (B) by engaging 2 Cam Locks (1).

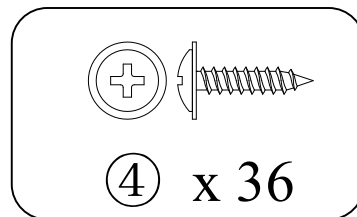
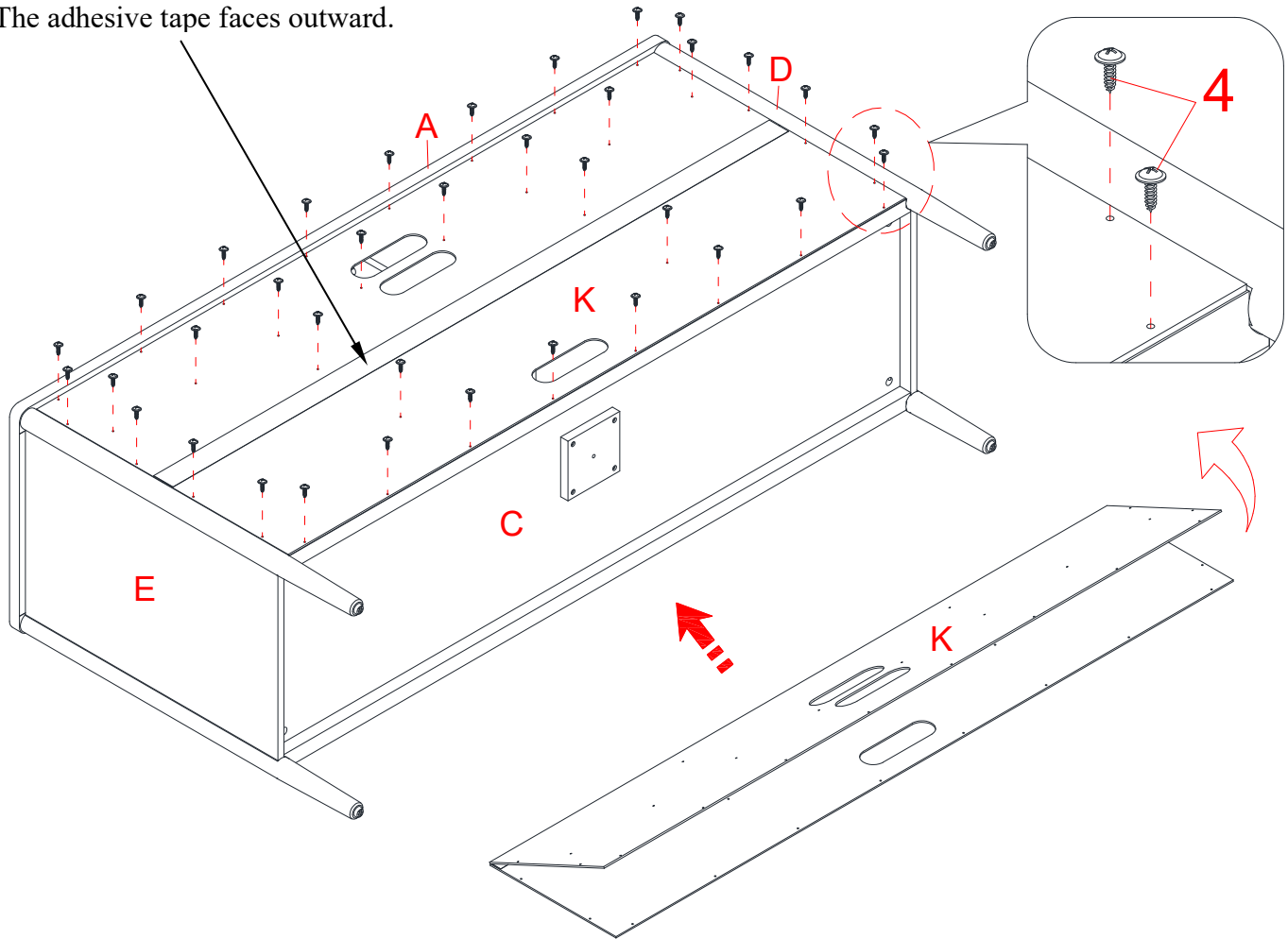
# Assembly Instructions



13. Place the Top Panel (A) onto the inserted Wood Dowels (3) on the vertical panels properly and fasten it in place with 6 Cam Locks (1).

## Assembly Instructions

The adhesive tape faces outward.

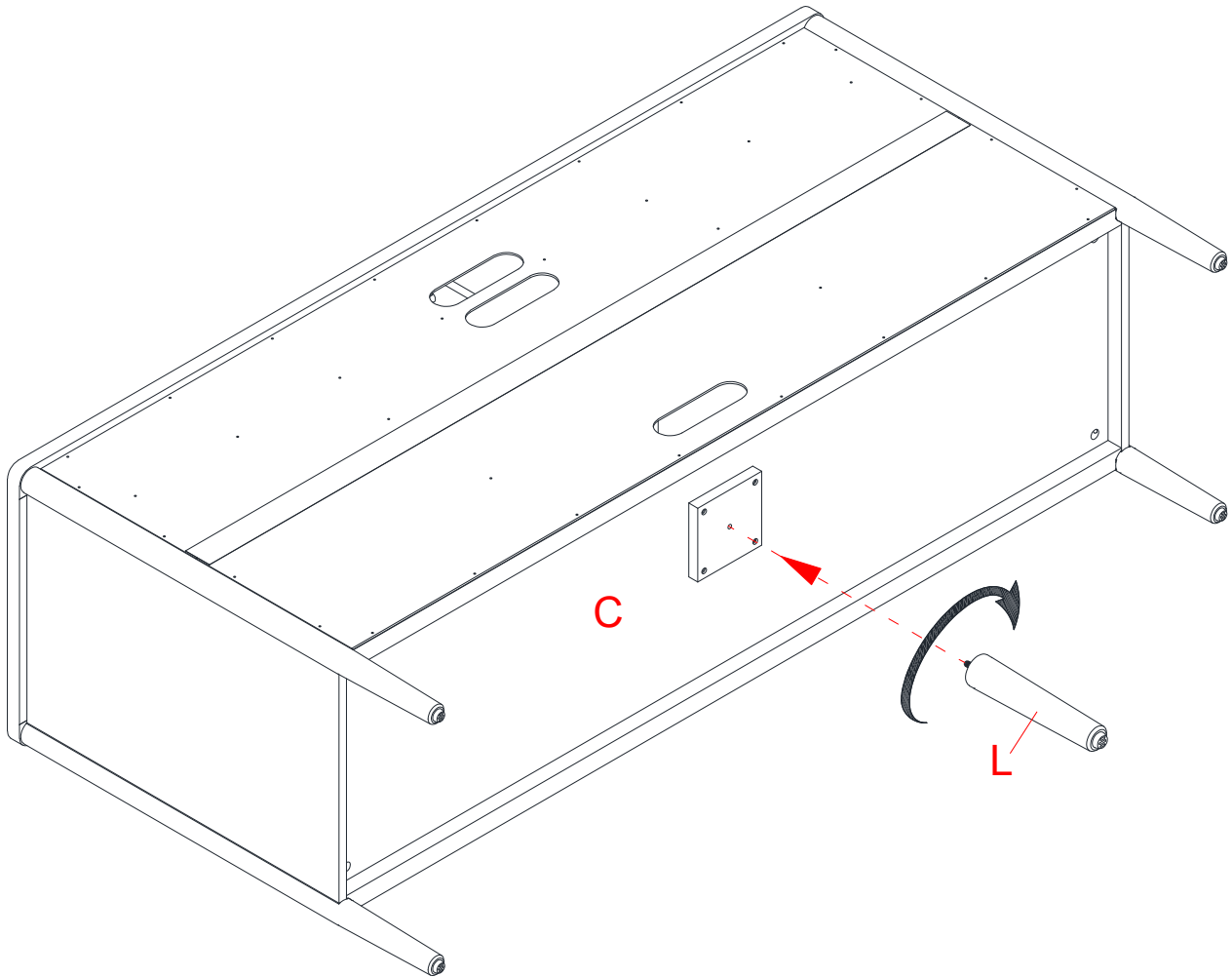


14. Now, go back and securely tighten all the cam locks and screws. Make sure that all the parts are tight and there are no gaps between the parts. This will help keep the unit square.
15. Unfold the Back Panel (K) and align the pre-drilled holes against the long edge with the pilot holes on the back rail of Top Panel (A). And attach it in place with the provided 15 mm Washer Head Screws (4).

**NOTE:** We recommend attaching back panel with washer head screws at the corners first.

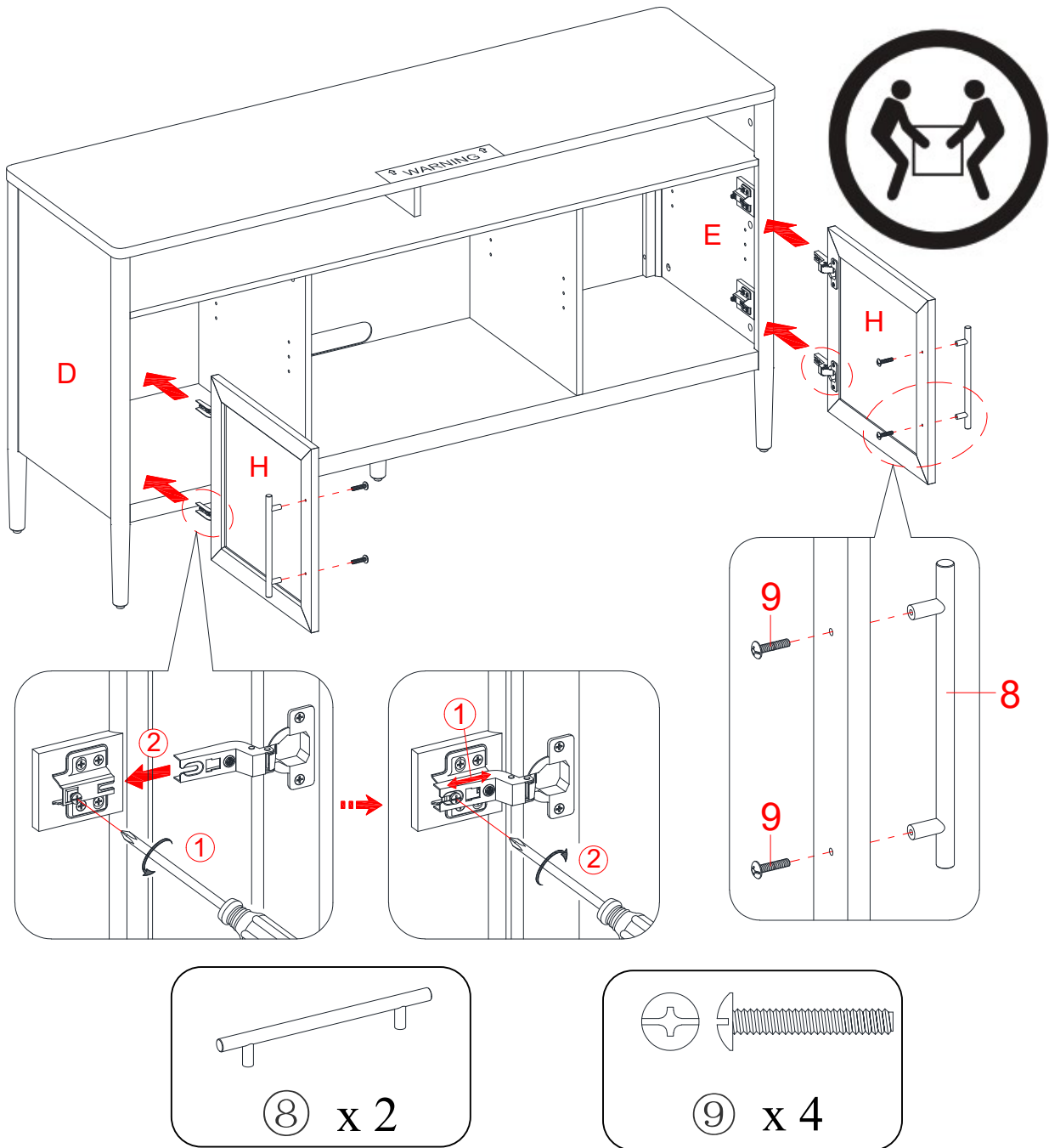


## Assembly Instructions



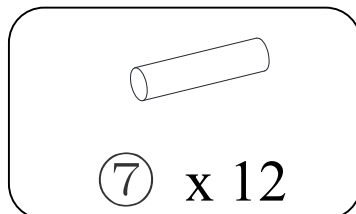
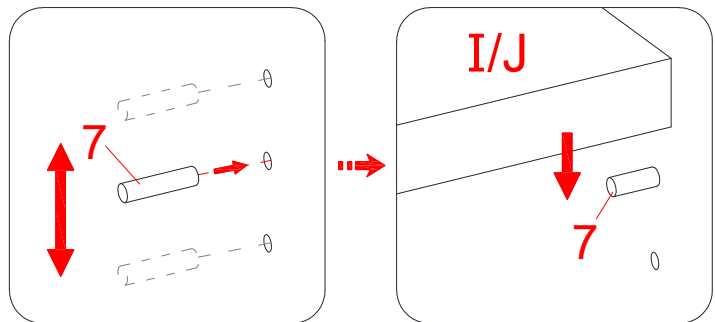
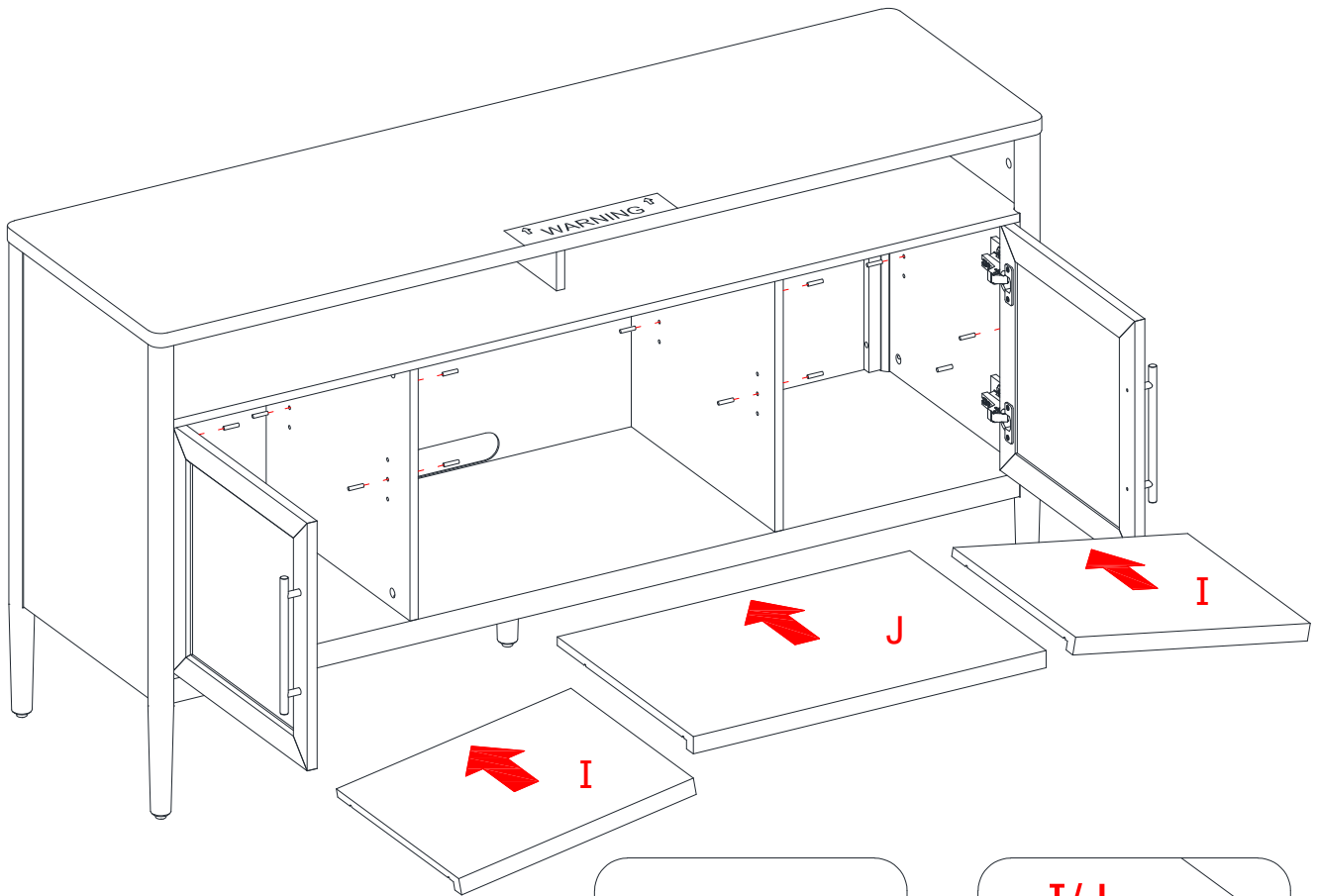
16. Securely screw the Support Foot (L) into the threaded insert on the Bottom Panel (C) and set the floor leveler to the correct height.

## Assembly Instructions



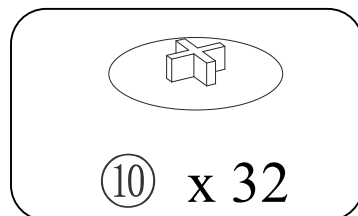
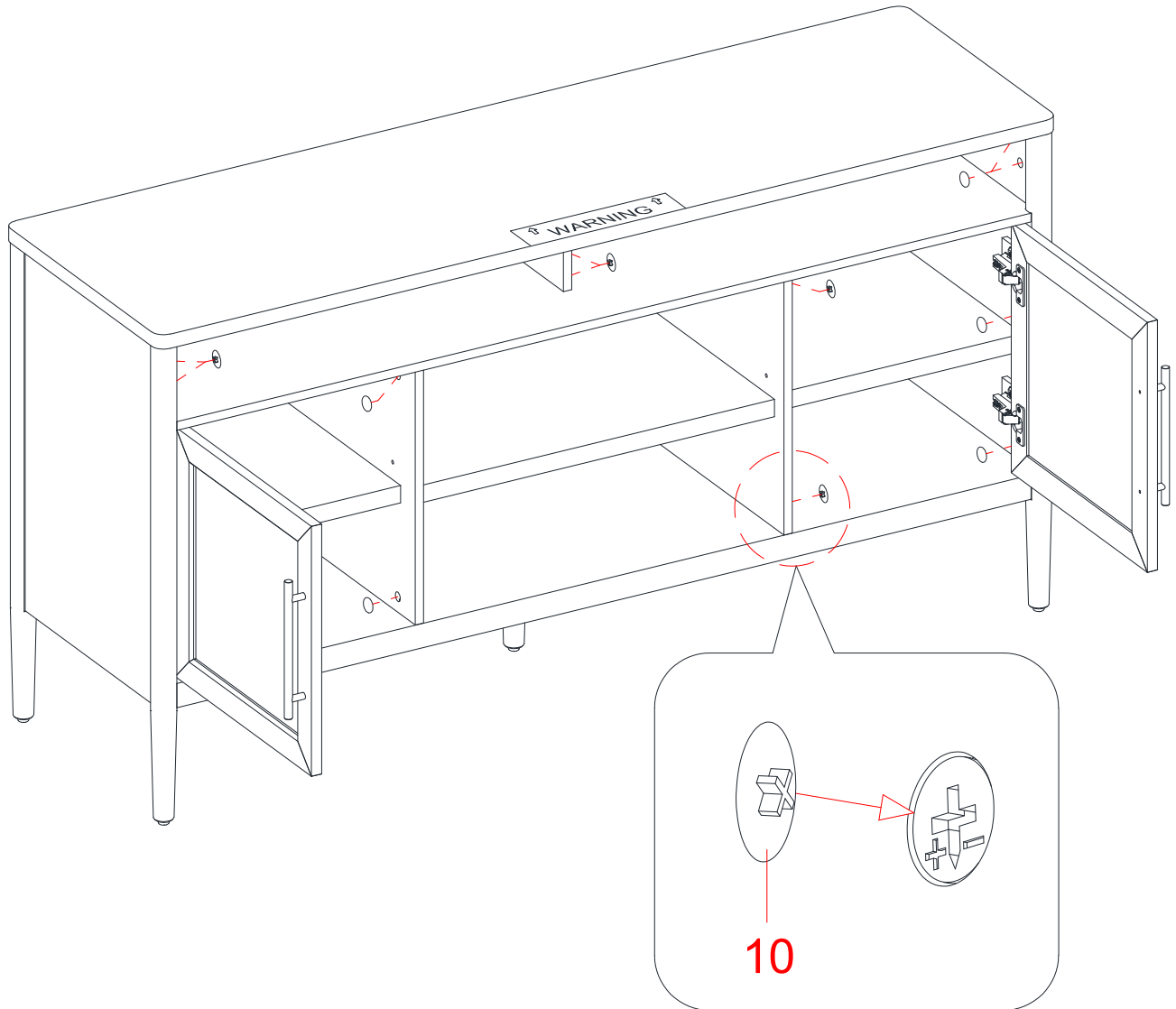
17. Ask for assistance to lift the assembled unit upright and position it near the final location.
18. Attach one Handle (8) to the front of each Door (H) with two 25 mm Bolts (9) per handle.
19. Pick up one Door (H) and attach the extended hinge arms to the hinge bases installed on the Left Side Frame (D). Loosen the bolt on the back of hinge base for an easy fit. Align and insert the “U” slot on hinge arm under the bolt head on the back of hinge base. Make sure that both door hinges engage and function properly. Tighten the bolt on the hinge base to lock the hinges in place.
20. Repeat the same procedure to attach the other Door (H) to the Right Side Frame (E).
21. Open and close the doors to make sure they are aligned and shut correctly. If necessary, adjust the screws for a good fit. Refer to the hinge sticker on door for adjustment.

## Assembly Instructions



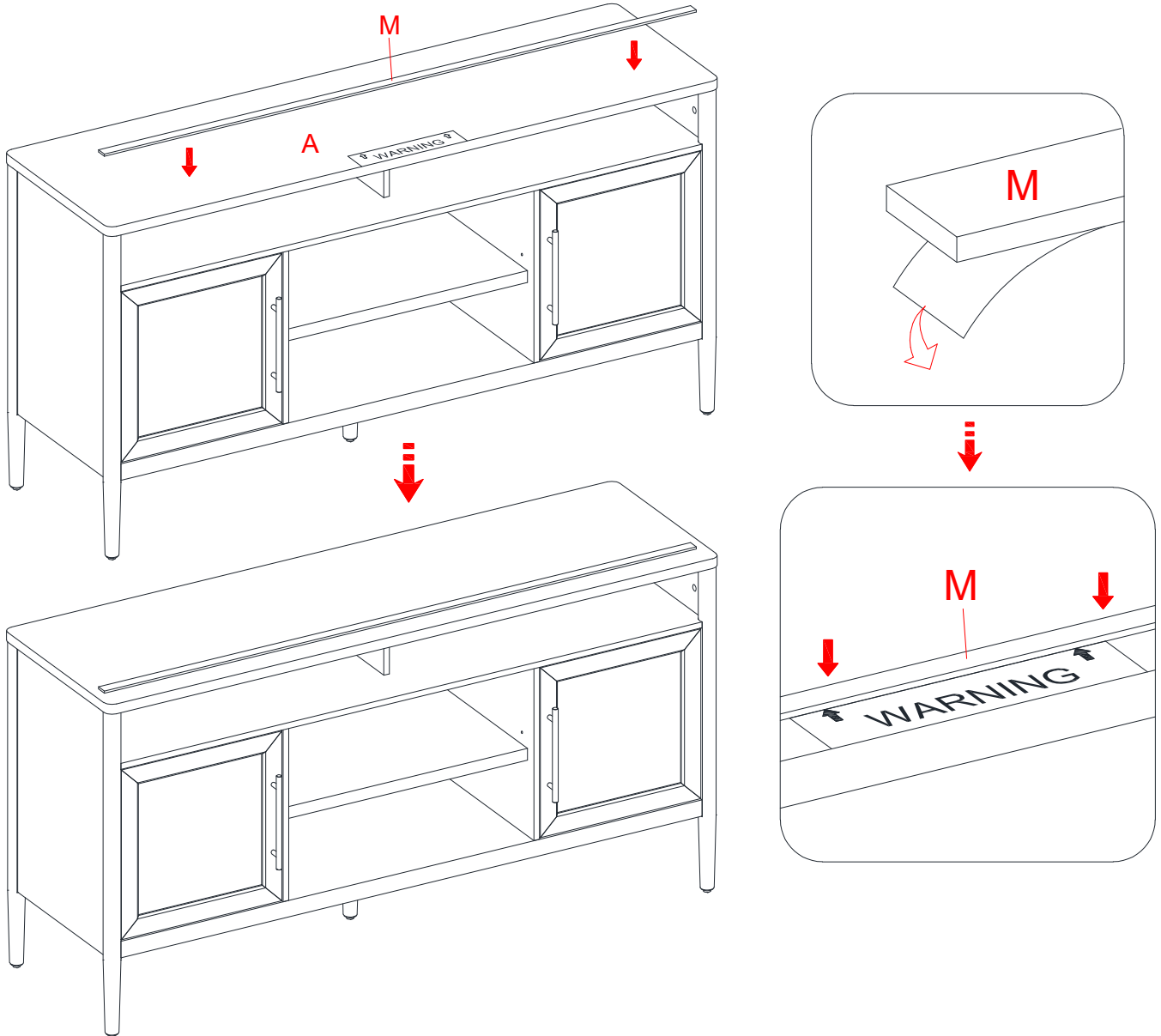
22. Insert four Shelf Pins (7) into the holes at the desired height inside each lower compartment. Tilt and rest the Adjustable Shelves (I and J) onto the Shelf Pins (7).

## Assembly Instructions



23. Plug the Cam Lock Covers (10) onto the visible cam locks to conceal the cams.

## Assembly Instructions

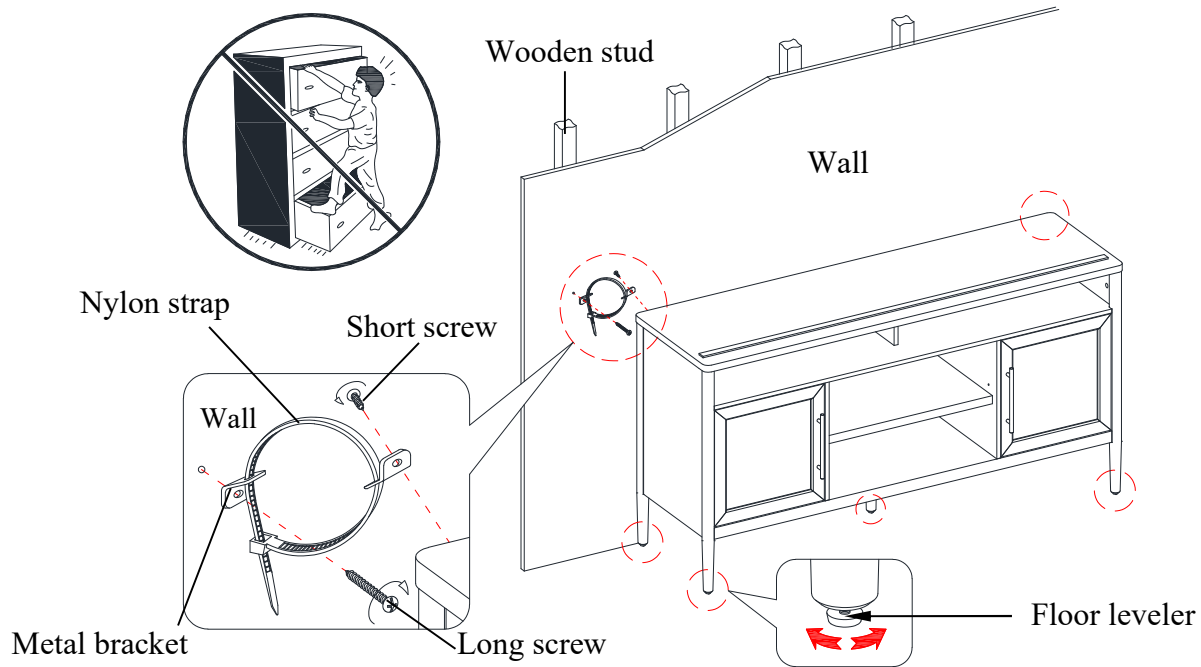


**NOTE:** To prevent your TV from tipping, you must install the Stopper rail if you place your flat panel television directly on the console. Otherwise, skip to step 25.

24. Remove the paper backing of Stop Rail (M), then properly align the Stop Rail with the top edge of the stopper template on Top Panel (A). Press down on the Stop Rail to help adhesion.
25. Carefully remove the Stopper template from Top Panel (A).

**NOTE:** When you place the TV on the console, make sure that the base of the TV is behind the Stop Rail (M). This will help prevent the TV from sliding off your console if your console is accidentally bumped or tipped.

## Assembly Instructions



**Tools required (not included):** Phillips screwdriver, stud finder, tape measure, pencil, power drill and 1/8" drill bit.

26. Ask for assistance to position the assembled unit at the desired location against a wall. If necessary, adjust the pre-attached Floor Levelers at the bottom of Side Frames (D and E) and Support Foot (L) to level the doors and correct the tilting.
27. Now, follow the instructions printed on the plastic bag containing the Tipping Restraint Hardware to attach the tip-over restraints to the unit and the wall.

**NOTE:** The tipping restraint hardware included is for wooden stud wall construction. It must be attached to a wall stud. Depending upon your wall construction, different anchor hardware may be required. Please contact your local hardware store for assistance. Young children can be seriously injured by tipping furniture. You must install the tipping restraint hardware with the unit to prevent the unit from tipping, causing any accidents or damage. The tipping restraints are intended only as a deterrent, they are not a substitute for proper adult supervision. The tipping restraints are not earthquake restraints. If you wish to add the extra security of earthquake restraints, they must be purchased and installed separately.

28. The console is now ready for use. Be sure to position your Flat Panel TV in the center of the console, behind the Stop Rail (M).

**! WARNING**

--	--	--

**Children have died from furniture tip over. To reduce the risk of tip over:**

- ALWAYS secure this furniture to the wall using an anti-tip device.
- NEVER allow children to stand, climb or hang on drawers, doors, or shelves.
- Place heaviest items in the lowest drawers.

## Care and Maintenance

- Use a soft, clean cloth that will not scratch the surface when dusting.
- Use of furniture polishes is not necessary. Should you choose to use polishes, test first in an inconspicuous area.
- Using solvents of any kind on your furniture may damage the finish.
- Never use water to clean your furniture as it may cause damage to the finish.
- Always use coasters under beverage glasses and flowerpots.
- Liquid spills should be removed immediately. Using a soft, clean cloth, blot the spill gently. Avoid rubbing.
- Always use protective pads under hot dishes and plates. Heat can cause chemical changes that may create spotting within the furniture finish.
- Stains or marks from crayons or ink markers will be difficult to remove.
- In the event that your furniture is stained or otherwise damaged during use, we recommend that you call a professional to repair your furniture.
- Check bolts/screws periodically and tighten them if necessary.
- A touch-up pen has been provided to minimize the small nicks or scratches that may occur during assembly or shipping.

### Further Advice about Wood Furniture Care

It is best to keep your furniture in a climate-controlled environment. Extreme temperature and humidity changes can cause fading, warping, shrinking and splitting of wood. It is advised to keep furniture away from direct sunlight as sun may damage the finish.

Proper care and cleaning at home will extend the life of your purchase. Following these important and helpful tips will enhance your furniture as it ages.

## WARNING

Please use your furniture correctly and safely. Improper use can cause safety hazards, or damage to your furniture or household items. Carefully read the following safety information.

This unit is not intended for use with CRT TVs. The top surface maximum weight capacity is 80 lb (36.3 kg) and maximum load 70in. (177.8 cm) diagonal flat-panel TV. The shelf maximum recommended weight allowance is 50 lb (22.7 kg). Use with heavier televisions may result in instability causing tip over resulting in death or serious injury.

Death or serious injury may occur when children climb on audio and/or video equipment furniture. A remote control or toys placed on the furnishing may encourage a child to climb on the furnishing and as a result may tip over onto the child.

**NEVER** allow children to climb or play with the TV or furnishing supporting the TV.

**NEVER** place toys, food, remote, etc. on top of the TV or TV furnishing.

**ALWAYS** use either the safety hardware as instructed or other wall anchoring device.

Relocating audio and/or video equipment to furniture not specifically designed to support audio and/or video equipment may result in death or serious injury due to furniture collapse or over turning onto a child.

**NEVER** place a TV on furniture that is not intended to support a TV.

**NEVER** exceed the maximum size and weight of the TV shown in the instructions.

Be sure to refer to the TV warning label as shown in the instructions.

Overloading drawers and shelves may result in furniture that can break or sag, or tip-over which may result in injury.

**NEVER** exceed the weight limits shown in the instructions.

Place the heavier items on lower shelves as far back from the front as possible.

Load the bottom surfaces first to avoid top-heavy furniture.

Moving furniture that is not designed to be moved or equipped with casters may result in injury or damage to furnishings or personal property.

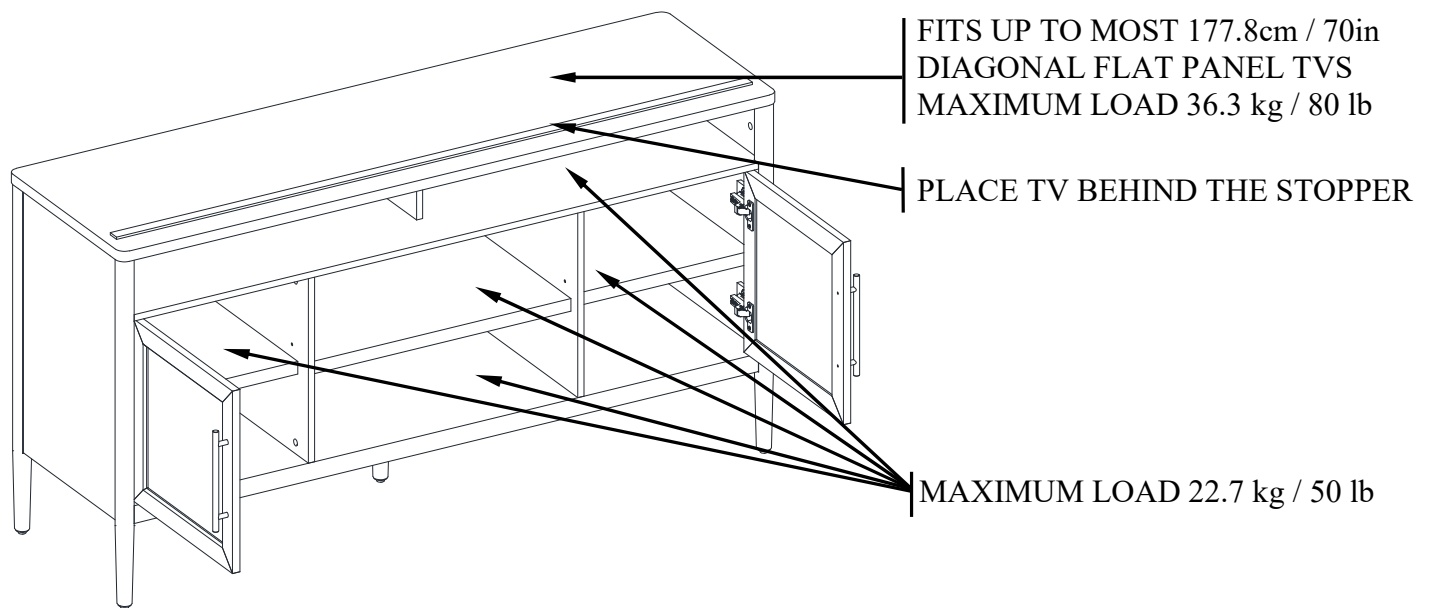
**ALWAYS** unload shelves and drawers, starting with the top surfaces, before moving.

**NEVER** push or pull furniture on carpet. Have a friend help lift properly to move and/or reposition it.

The unit is not meant as a seat and no one should be sitting or standing on the top panel.

## MAXIMUM RECOMMENDED WEIGHT LOADS

MANUFACTURER: Whalen Furniture Manufacturing  
CATALOG : Oaklee Media Console  
MODEL # BHS3025004001



### **WARNING**

THIS UNIT IS NOT INTENDED FOR USE WITH CRT TVS. USE ONLY WITH FLAT PANEL TVS AND AUDIO/VIDEO EQUIPMENT MEETING RECOMMENDED SIZE AND WEIGHT LIMITS. NEVER USE WITH LARGER/HEAVIER THAN RECOMMENDED FLAT PANEL TVS OR EQUIPMENT. TO AVOID INSTABILITY, PLACE FLAT PANEL TV IN THE CENTER OF THE UNIT; THE BASE OF THE TELEVISION MUST BE ABLE TO REST ON THE SUPPORTING SURFACE OF THE UNIT WITHOUT OVER-HANGING THE EDGES. IMPROPERLY POSITIONED FLAT PANEL TVS, OR FLAT PANEL TVS INCLUDING OTHER EQUIPMENT THAT EXCEED RECOMMENDED SIZE AND WEIGHT LIMITS COULD FALL OFF OR BREAK THE UNIT, CAUSING POSSIBLE SERIOUS INJURY. FOR USE WITH TELEVISIONS WEIGHING 80 LB (36.3 KG) OR LESS. USE WITH HEAVIER TELEVISIONS MAY RESULT IN INSTABILITY CAUSING TIP OVER RESULTING IN DEATH OR SERIOUS INJURY.

## QUALITY GUARANTEE

We are confident that you will be delighted with your Whalen Furniture purchase.

Should this product be defective in workmanship or materials or fail under normal use, we will repair or replace it for up to one (1) year from date of purchase. Every Whalen Furniture product is designed to meet your highest expectations. We guarantee that you will immediately see the value of our fine furniture.

This warranty gives you specific legal rights and you may also have other rights which vary from state to state.

Whalen Furniture Manufacturing  
1578 Air Wing Road, San Diego, CA 92154, USA

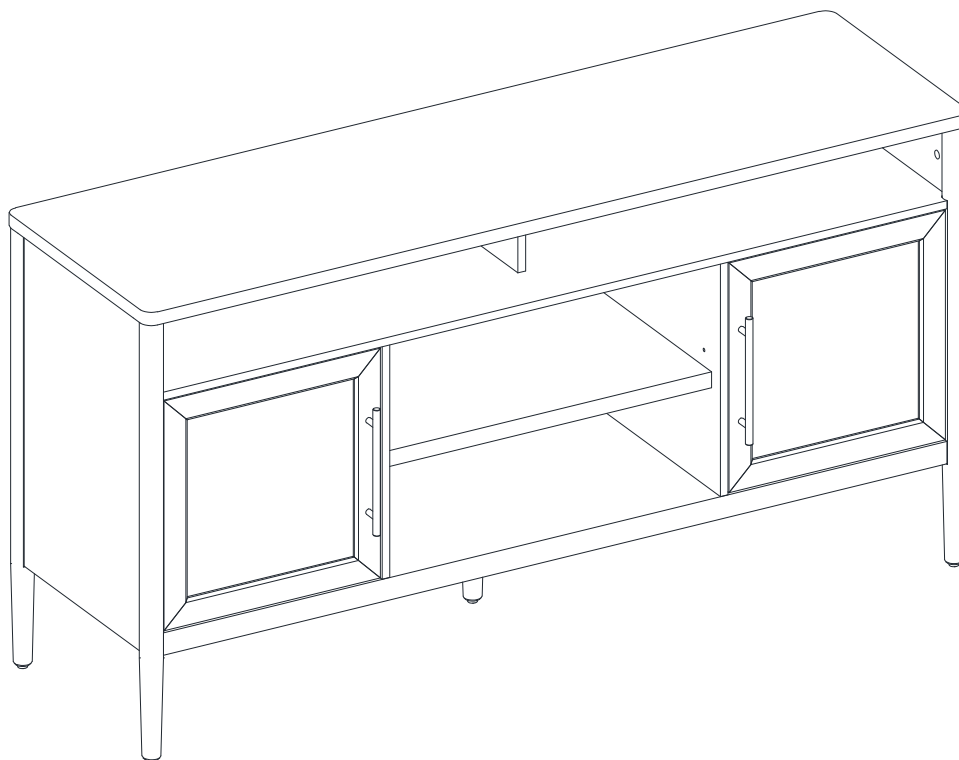
Customer Service: 866-942-5362  
8:30 a.m. - 4:30 p.m., PST, Monday to Friday

[www.whalenstyle.com](http://www.whalenstyle.com)



## Consola multimedia Oaklee

Modelo # BHS3025004001



### ENSAMBLE REQUERIDO POR ADULTO

Si tienen alguna pregunta acerca del ensamble o si alguna parte está faltante, no retorne este producto a la tienda donde lo compró. Por favor llame a nuestro departamento de ayuda al cliente teniendo su instructivo y lista de partes para proveer el modelo, nombre de parte o el número de fábrica:

**866-942-5362**

Hora Estándar del Pacífico: 8:30 a.m. - 4:30 p.m., de Lunes a Viernes  
O visite nuestra página de Internet 24 horas al día, 7 días a la semana para asistencia

**[www.whalenstyle.com](http://www.whalenstyle.com)**

O mande un correo electrónico a **[parts@whalenfurniture.com](mailto:parts@whalenfurniture.com)**

**ESTE INSTRUCTIVO CONTIENE INFORMACION IMPORTANTE DE SEGURIDAD.  
POR FAVOR LEA Y MANTENGA PARA USO FUTURO.**

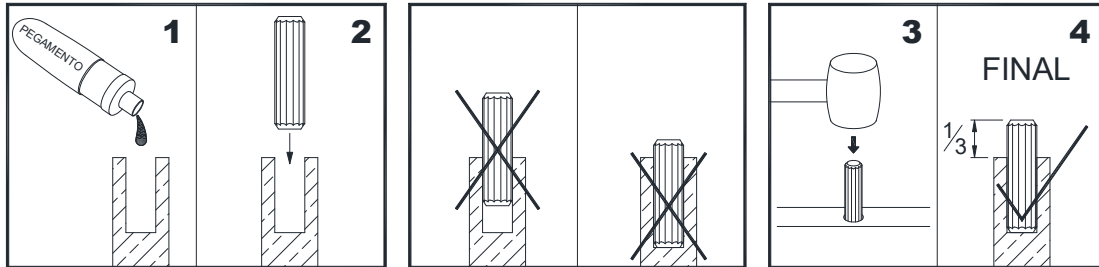
Fecha 2023-01-10 Rev. 0001-A

## IMPORTANTE

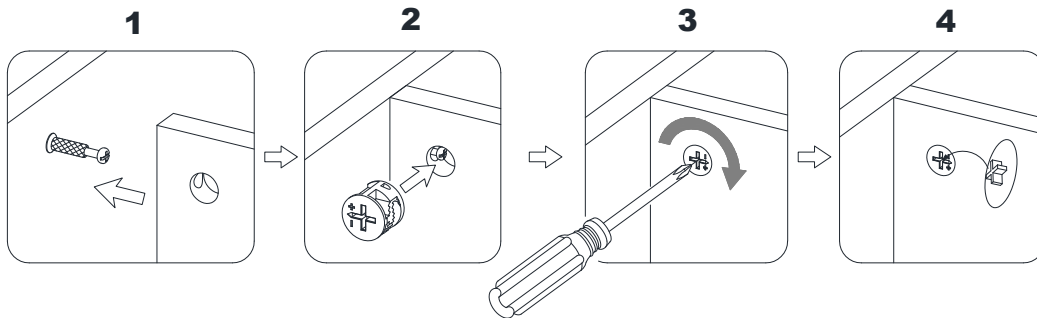
**Antes de comenzar:** Abra, identifique y cuente todas las partes antes del ensamble. Coloque las piezas sobre una superficie plana y no abrasiva. Tendrá que las partes identificadas en la página 3 y 4 de este manual de instrucciones.

**NOTA:** ES MUY IMPORTANTE PARA EL USO DE PEGAMENTO CON LAS CLAVIJAS DE MADERA. EL EXCESO DE PEGAMENTO SE PUEDE LIMPIAR CON UN PAÑO HÚMEDO.

Inserte la clavija por lo menos a la mitad del camino golpeando ligeramente con un mazo de pegamento, SI ES NECESARIO.



## SISTEMA DE OPERACIÓN DE TUERCA DE FIJACIÓN



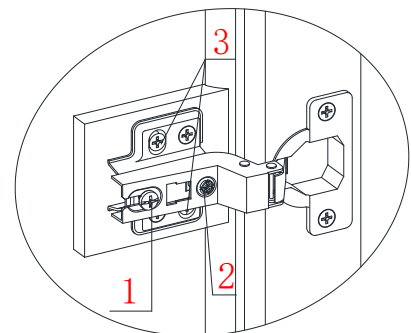
### CÓMO FUNCIONA LA INSTALACIÓN DE MONTAJE (KD)

1. Fijar los pernos de fijación en los orificios pequeños del panel. Conectar ambos paneles, cerciorándose que los pernos de fijación entren bien y que estos queden en los orificios al final del panel con tuercas de fijación.
2. Inserte las tuercas de fijación en los orificios grandes del panel. Hacer que la flecha en la tuerca este apuntando hacia la entrada del perno de fijación.
3. Una vez que el perno esté conectado dentro, tome un destornillador de cruz y apriete la tuerca en dirección de las manecillas del reloj.
4. Coloque la tapa de la tuerca de fijación sobre la misma en la ranura de cruz, ver detalle.

## Como ajustar las bisagras Europeas ajustables en las puertas

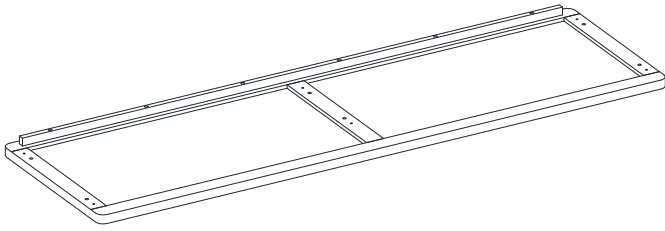
El envío puede causar que las puertas se desalíneen. Si encuentra que las puertas necesitan una ajustada, gire el perno apropiado, como está ilustrado.

1. PARA AJUSTAR LA PUERTA HACIA ADELANTE O HACIA ATRAS.
2. PARA AJUSTAR LA PUERTA HACIA LA DERECHA O HACIA LA IZQUIERDA.
3. PARA AJUSTAR LA PUERTA HACIA ARRIBA O HACIA ABAJO.

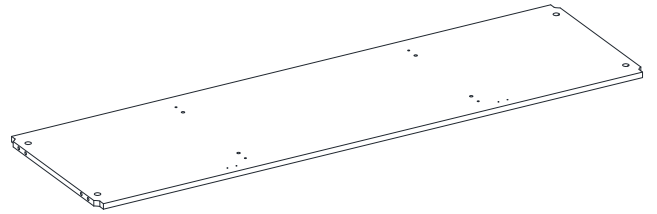


## Lista de partes y material de ferretería

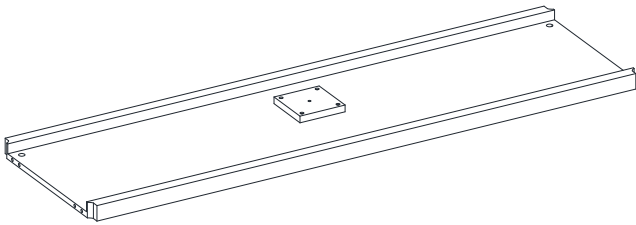
Por favor lea completamente las instrucciones y verifique que estén todas las partes y partes de ferretería antes de iniciar el ensamblado.



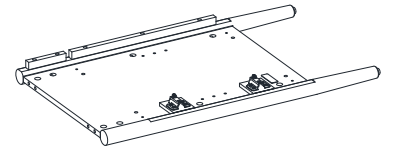
A- Panel superior  
(Cant. 1)



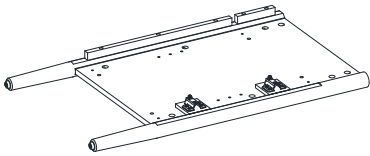
B- Repisa media  
(Cant. 1)



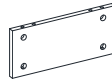
C- Panel inferior  
(Cant. 1)



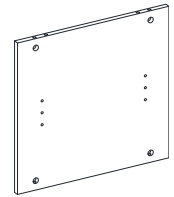
D- Marco izquierdo  
(Cant. 1)



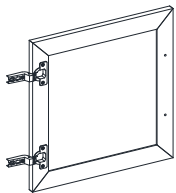
E- Marco derecho  
(Cant. 1)



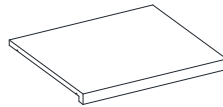
F- Panel divisor superior  
(Cant. 1)



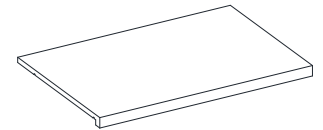
G- Panel divisor inferior  
(Cant. 2)



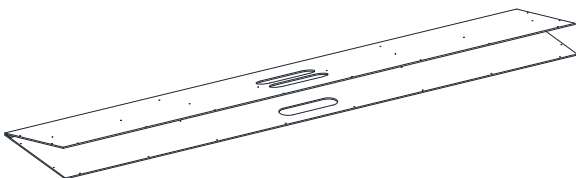
H- Puerta  
(Cant. 2)



I- Repisa pequeña ajustable  
(Cant. 2)



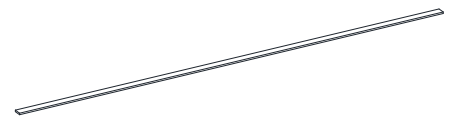
J- Repisa grande ajustable  
(Cant. 1)



K- Panel posterior  
(Cant. 1)



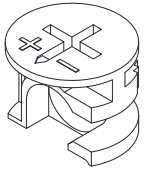
L- Pata soporte  
(Cant. 1)



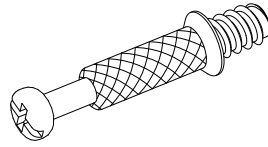
M- Riel tope  
(Cant. 1)

## Lista de partes y material de ferretería

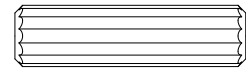
Por favor lea completamente las instrucciones y verifique que estén todas las partes y partes de ferretería antes de iniciar el ensamblado.



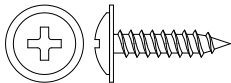
(1) Tuerca de fijación  
(Cant. 24+1 extra)



(2) Perno de fijación  
(Cant. 24+1 extra)



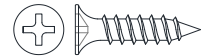
(3) Clavija de madera de M8 x 30 mm  
(Cant. 24+1 extra)



(4) Perno de cabeza de arandela de M3.5 x 15 mm  
(Cant. 36+1 extra)



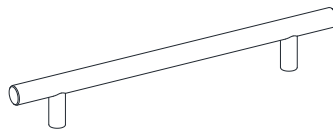
(5) Tope para puerta  
(Cant. 2)



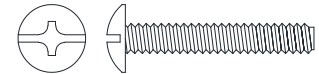
(6) Perno de M3 x 15 mm  
(Cant. 4+1 extra)



(7) Perno para repisa  
(Cant. 12+1 extra)



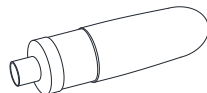
(8) Manija  
(Cant. 2)



(9) Perno para manija de 5/32" x 25mm  
(Cant. 4+1 extra)



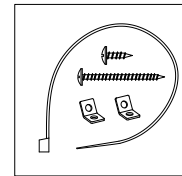
(10) Tapa de la tuerca de fijación  
(Cant. 32+1 extra)



Pegamento  
(Cant. 1)



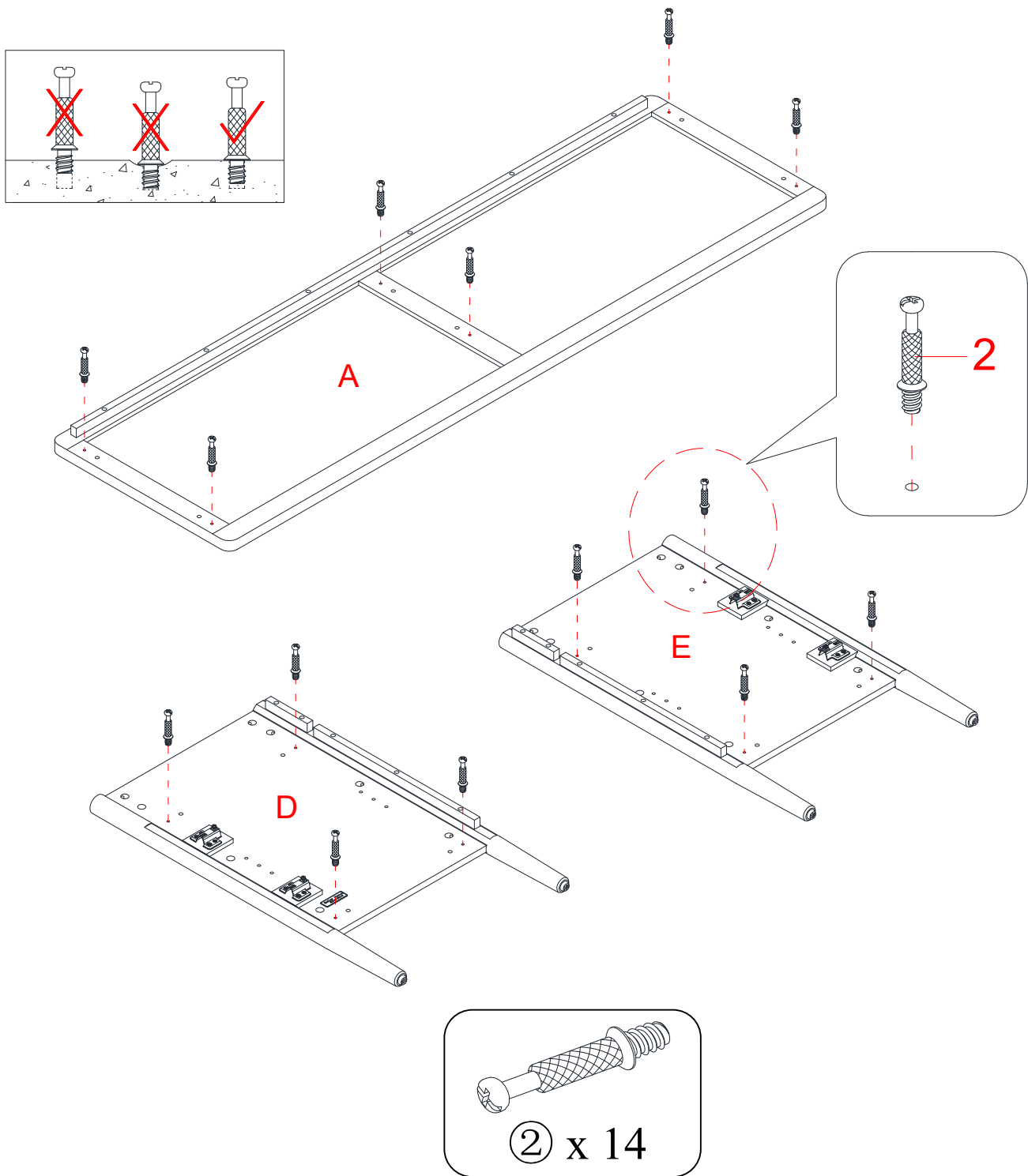
Plumón  
(Cant. 1)



Juego de restricción de movimiento (Cant.2)  
**(Incluido en bolsa de plástico)**

**Herramientas requeridas (no provistas):** Desarmador estrella, buscador de vigas, cinta métrica, lápiz, taladro y broca de 1/8 pulgadas.

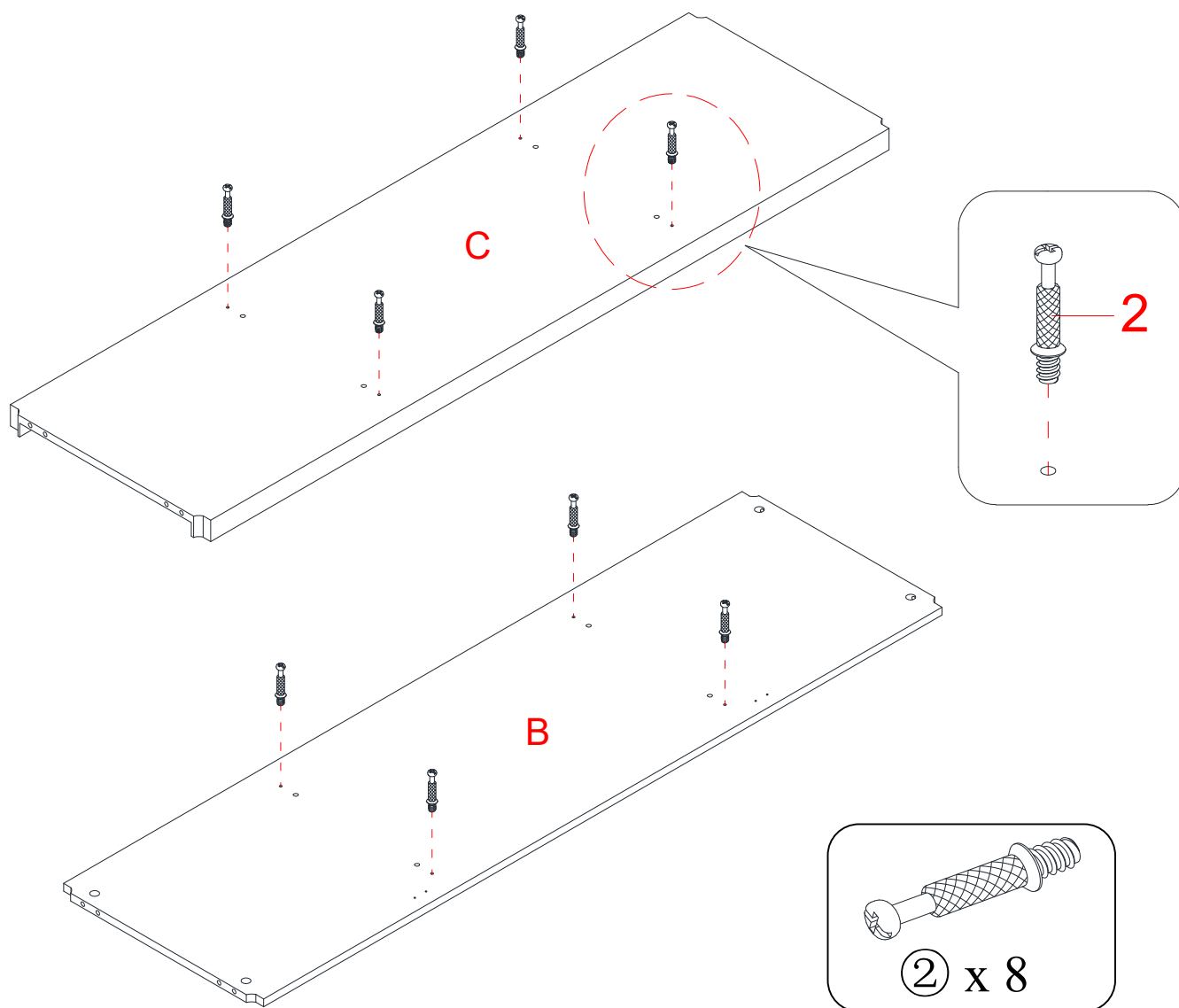
## Instrucciones de ensamble



1. Desempacar la unidad y confirmar que se tiene todo el material de ferretería y partes requeridas. Ensamblar la unidad en un piso alfombrado o en el cartón vacío para evitar rasguños.
2. Atornillar los pernos de fijación (2) en los agujeros pequeños designados en el panel superior (A) y en los marcos laterales (D y E) usando el desarmador estrella.

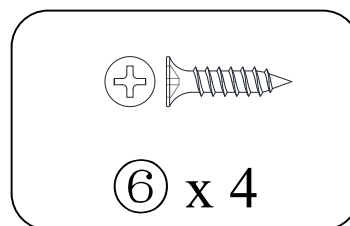
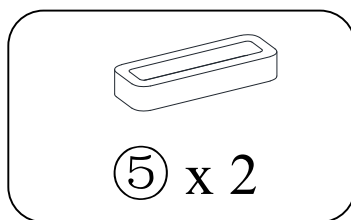
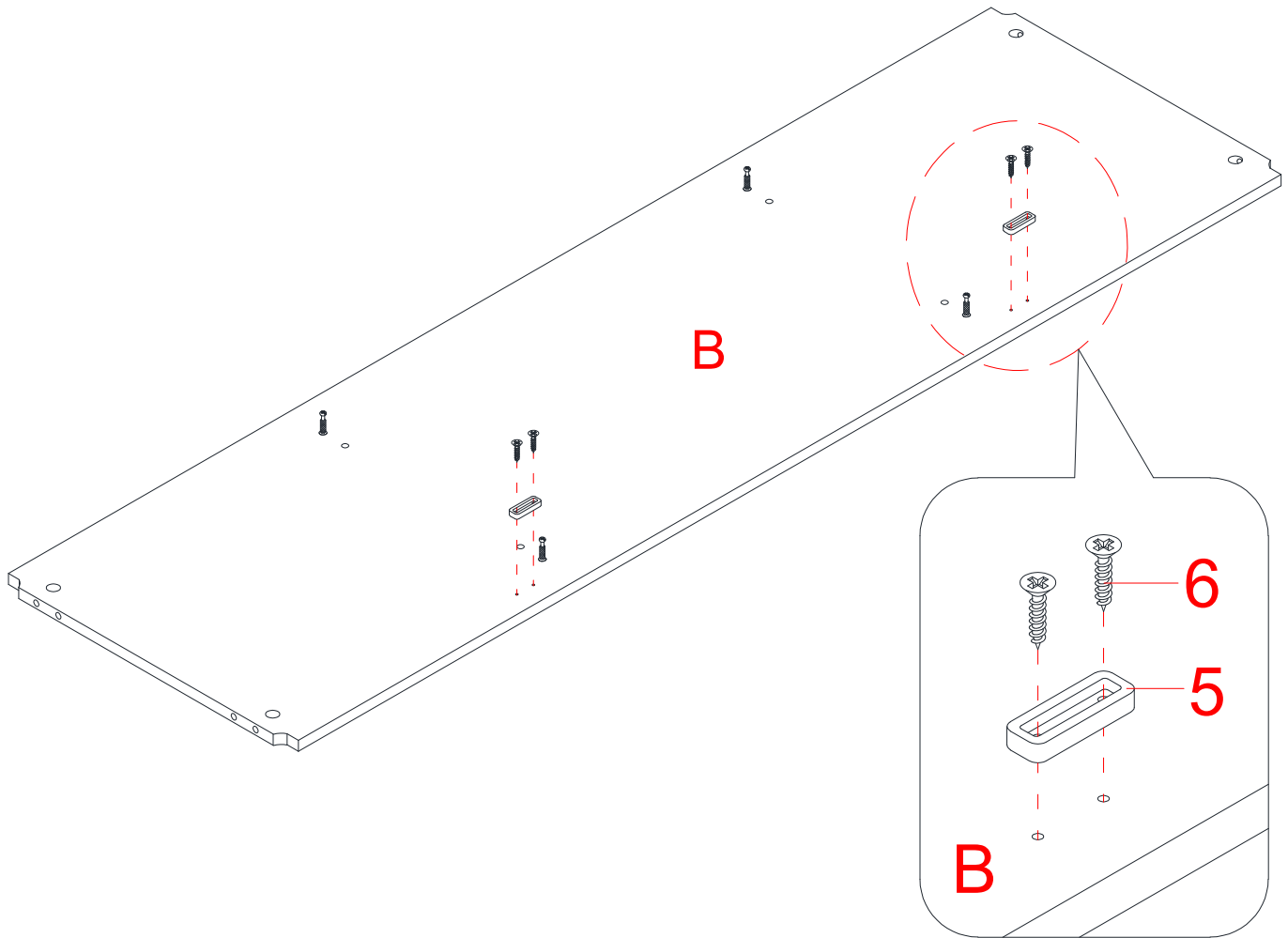
**NOTA:** Los pernos de fijación se deben atornillar a nivel hacia abajo.

## Instrucciones de ensamble



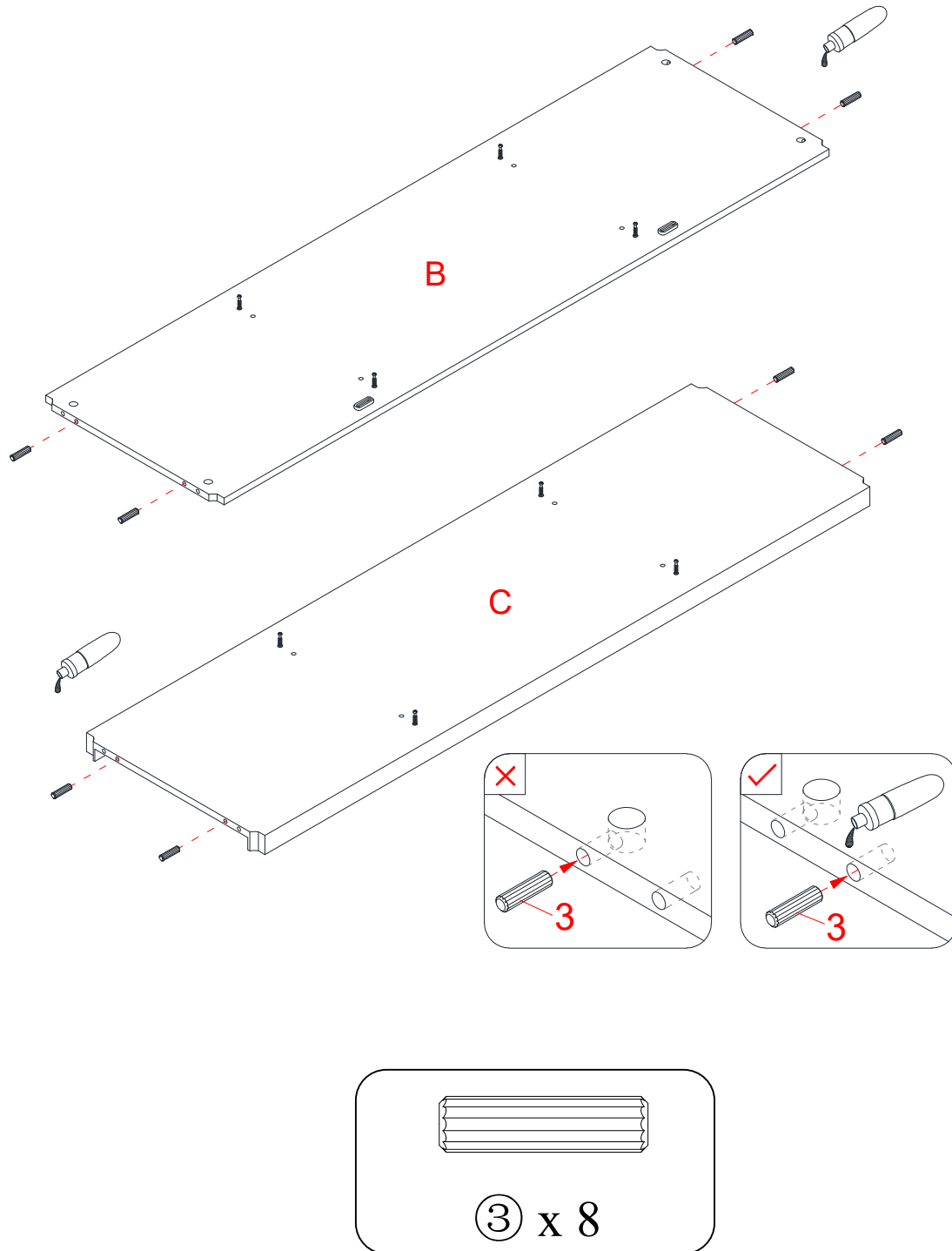
3. Atornillar los pernos de fijación (2) en los agujeros pequeños designados en la repisa media (B) y en el panel inferior (C).

## Instrucciones de ensamble



- Usando los agujeros pilotos como guía, sujetar 2 topes para puerta (5) a la repisa media (B) usando 4 pernos de cabeza plana de 15 mm (6).

## Instrucciones de ensamble

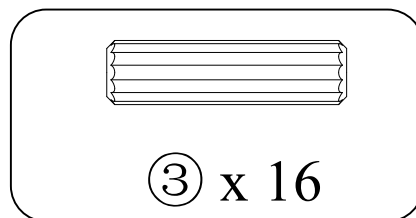
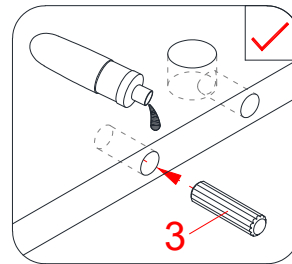
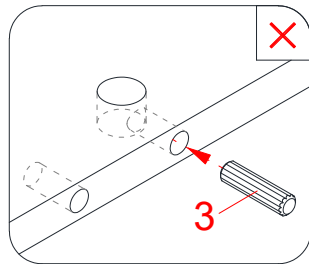
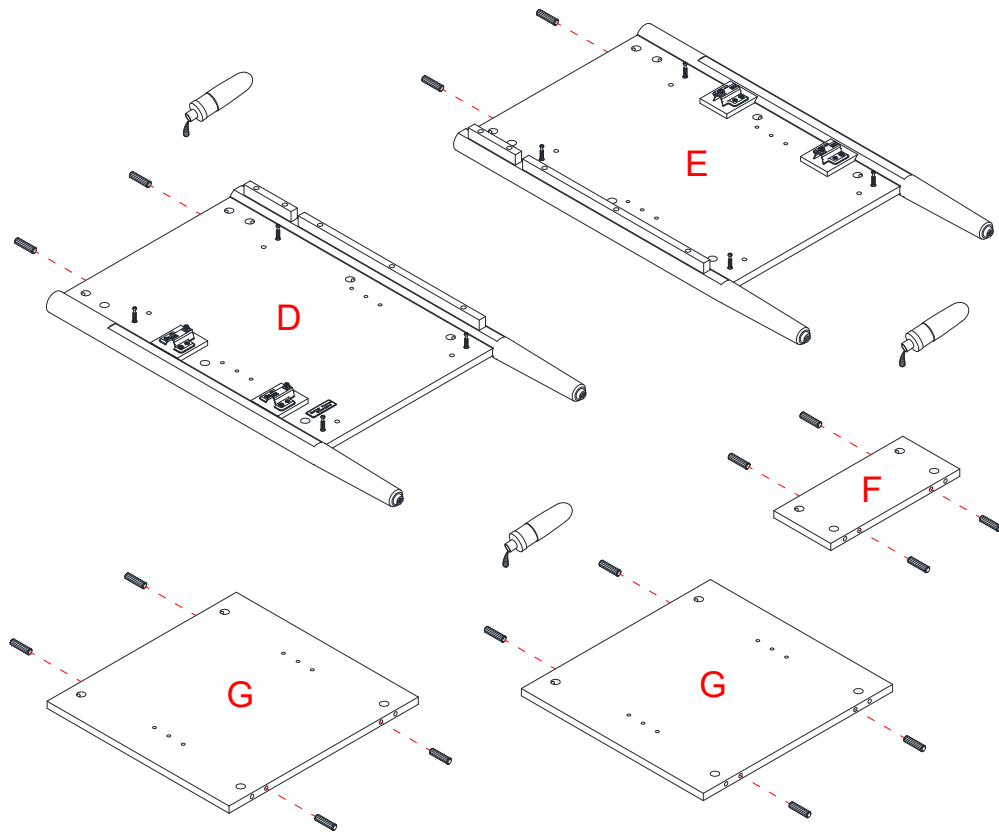


5. Pegar las clavijas de madera (3) en los agujeros internos en la repisa media (B) y en el panel inferior (C) en ambos lados.

**NOTA:** Es importante usar una cantidad pequeña de pegamento en ambos lados de las clavijas y limpiar el exceso de pegamento inmediatamente.

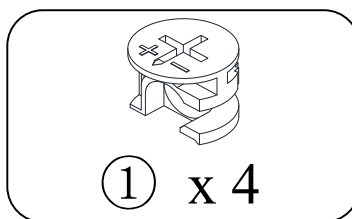
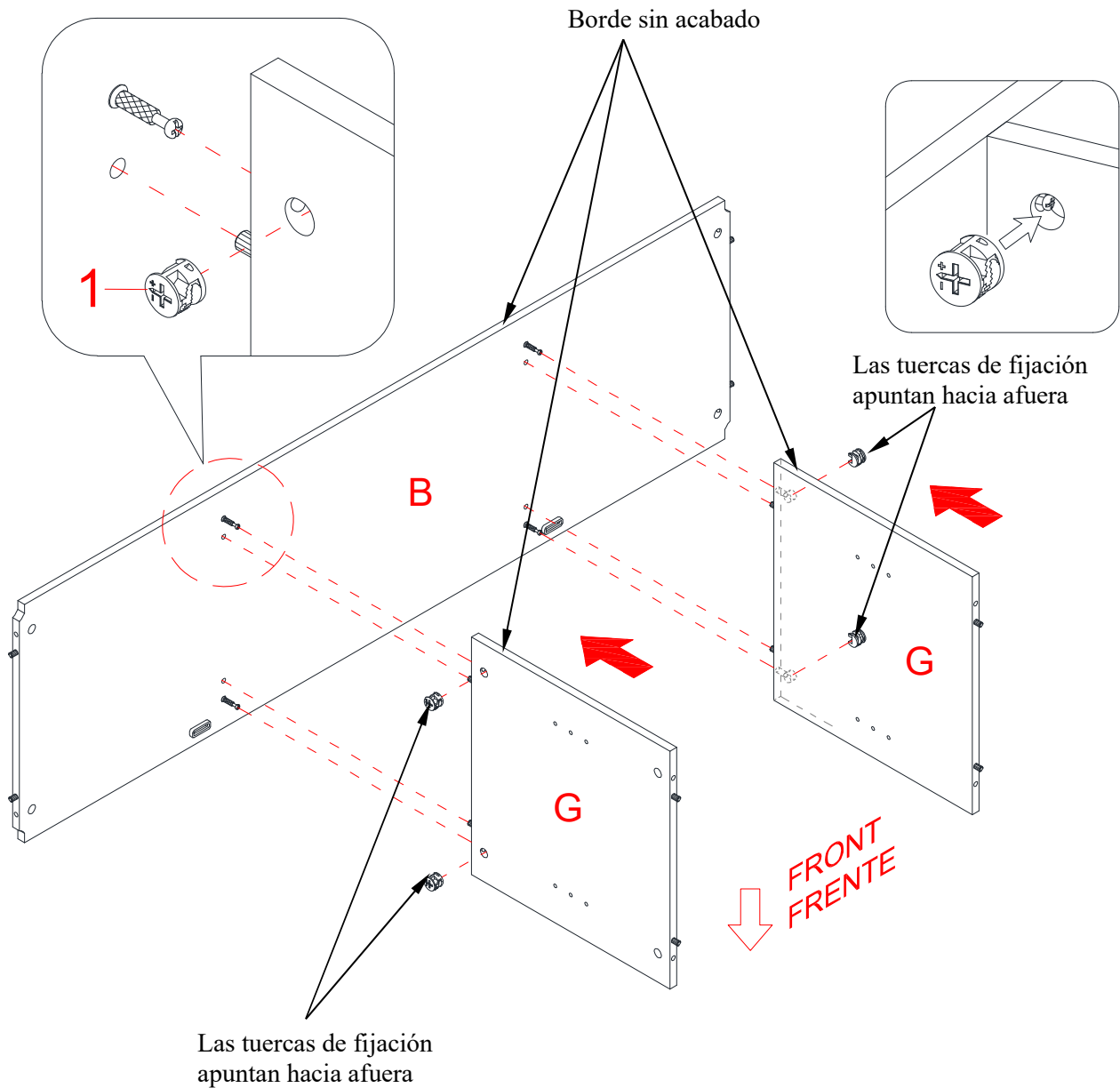


## Instrucciones de ensamble



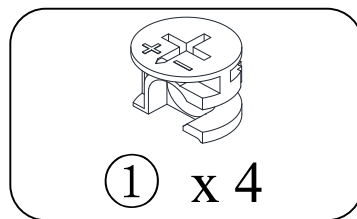
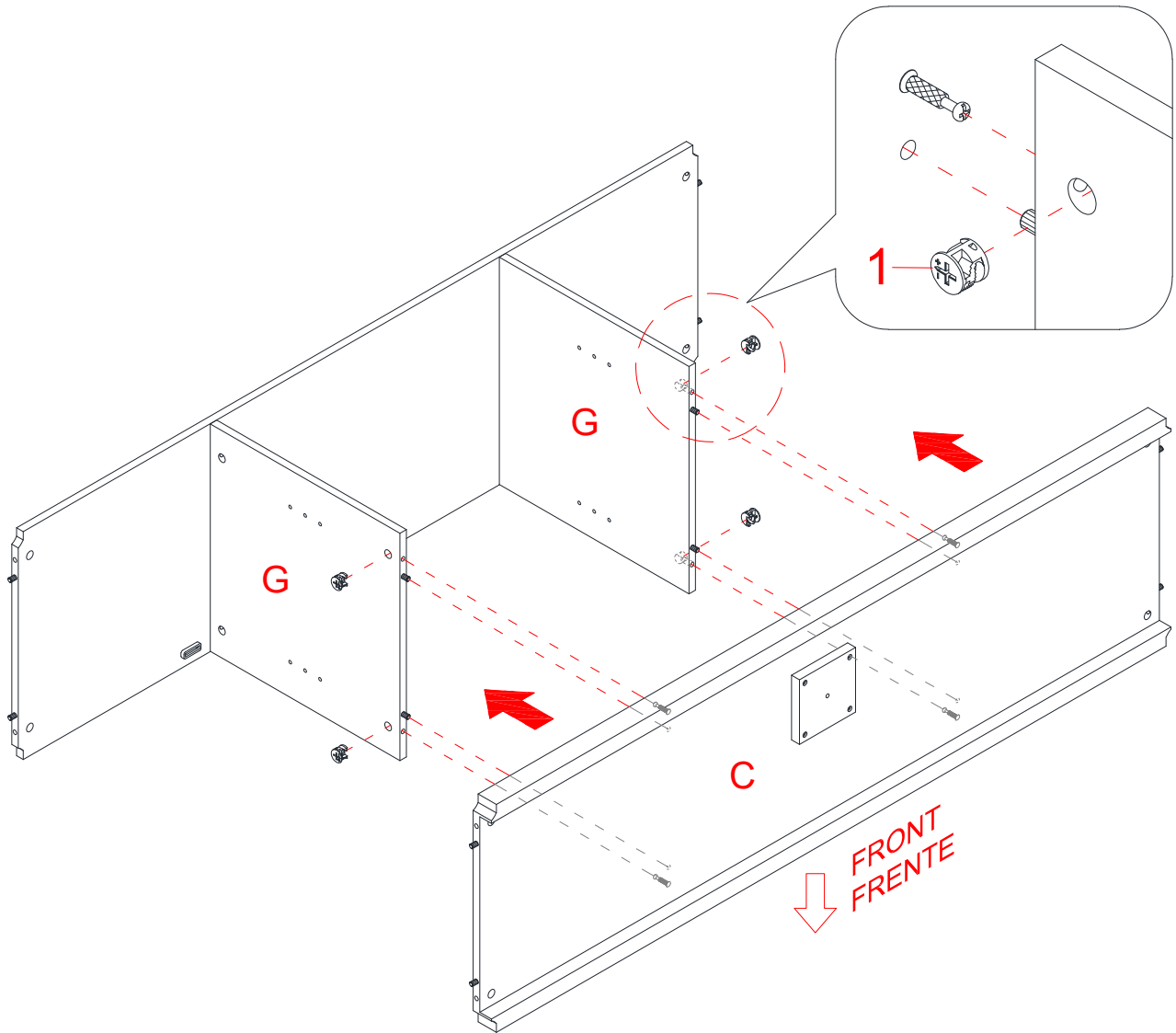
6. Pegar las clavijas de madera (3) en los agujeros internos de los marcos laterales (D y E) y los paneles divisores (F y G) como se muestra.

## Instrucciones de ensamble



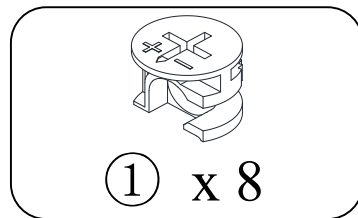
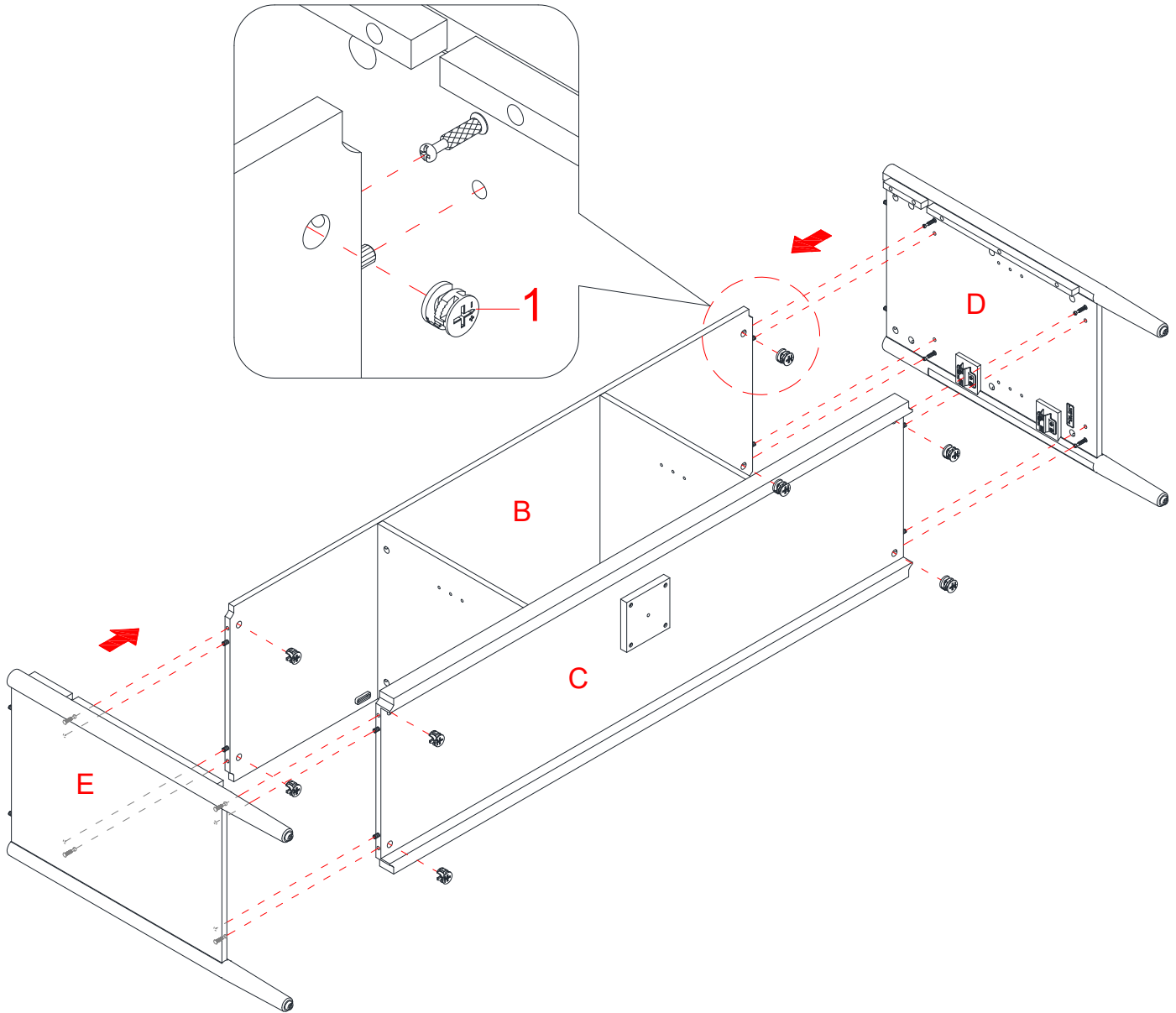
7. Orientar y adjuntar los paneles divisores inferiores (G) a la repisa media (B) empelando 4 tuercas de fijación (1). (Consulte la página 2 del sistema de tuerca de fijación)

## Instrucciones de ensamble



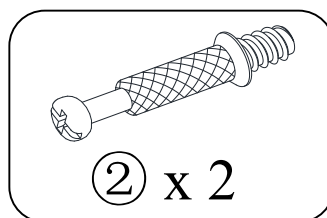
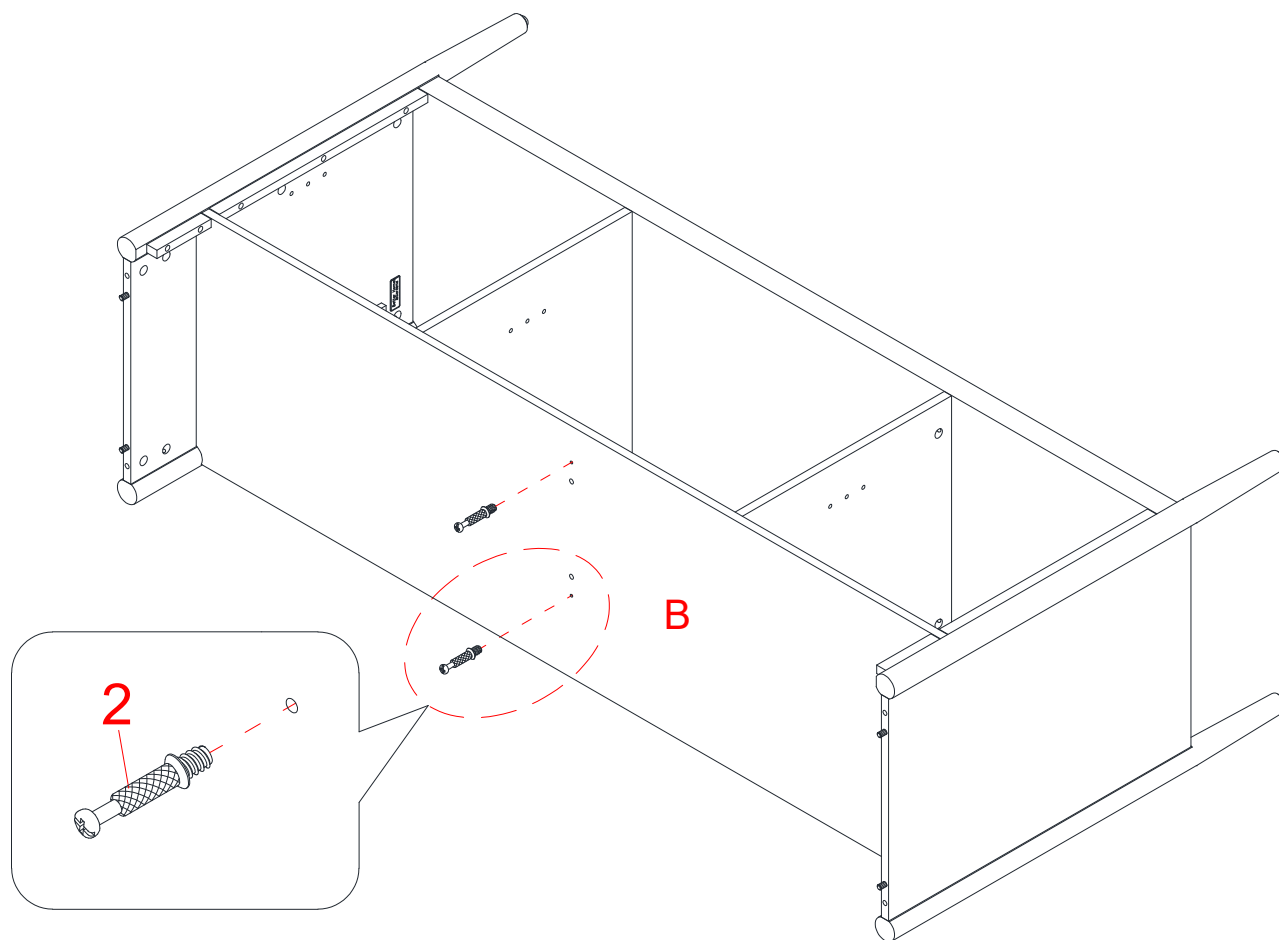
8. Orientar y adjuntar el panel inferior (C) a los paneles divisores inferiores (G) con 4 tuercas de fijación (1).

## Instrucciones de ensamble



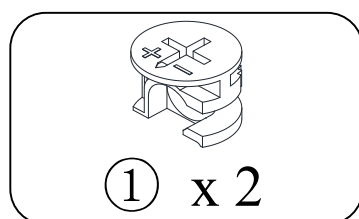
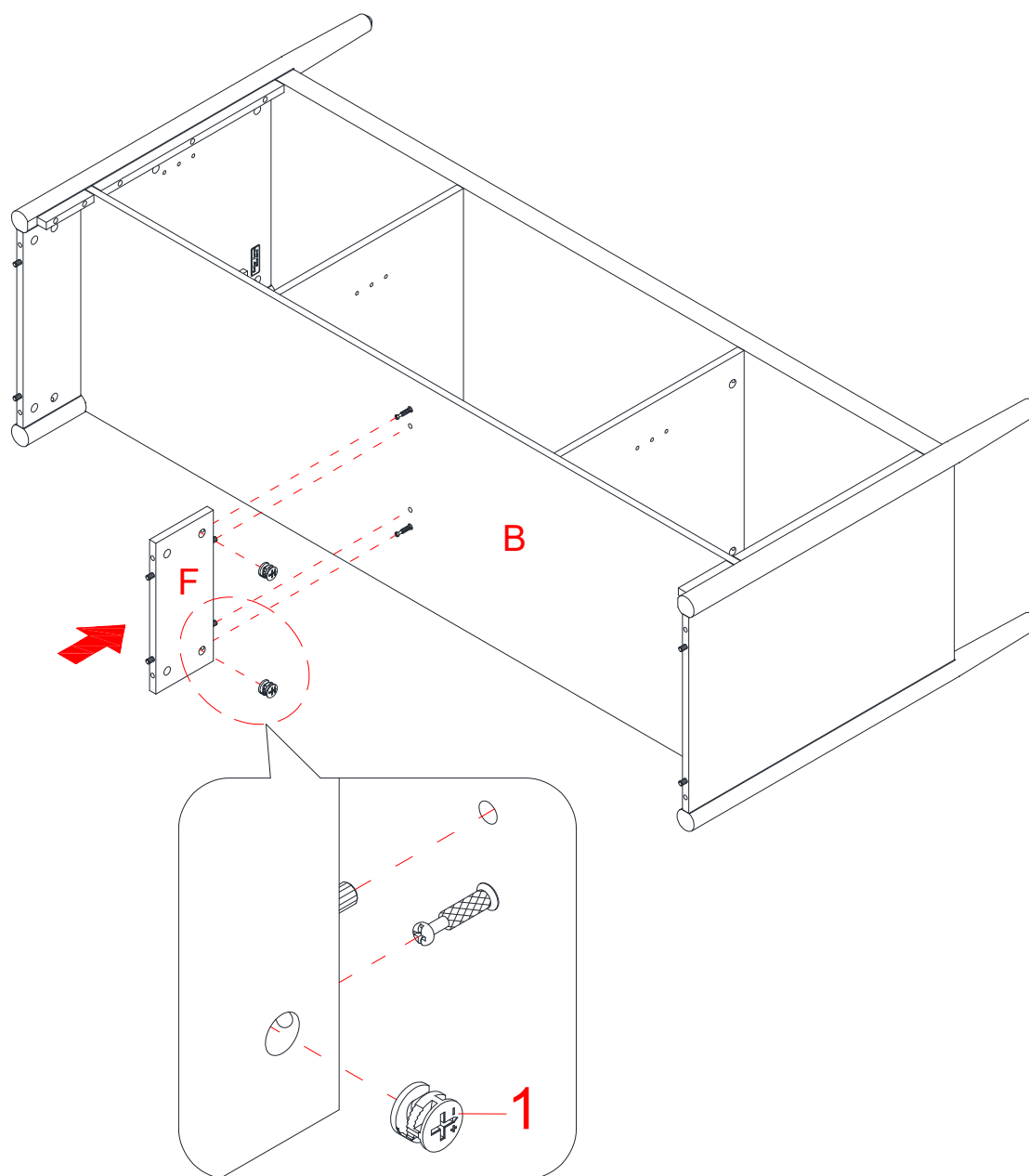
9. Alinear los agujeros grandes en el marco izquierdo (D) con las clavijas de madera insertadas en el ensamble previo. Presionar para juntar y sujetar en su lugar con 4 tuercas de fijación (1).
10. Repetir el mismo procedimiento para adjuntar el marco derecho (E) al extremo opuesto.

## Instrucciones de ensamble



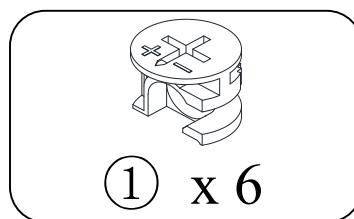
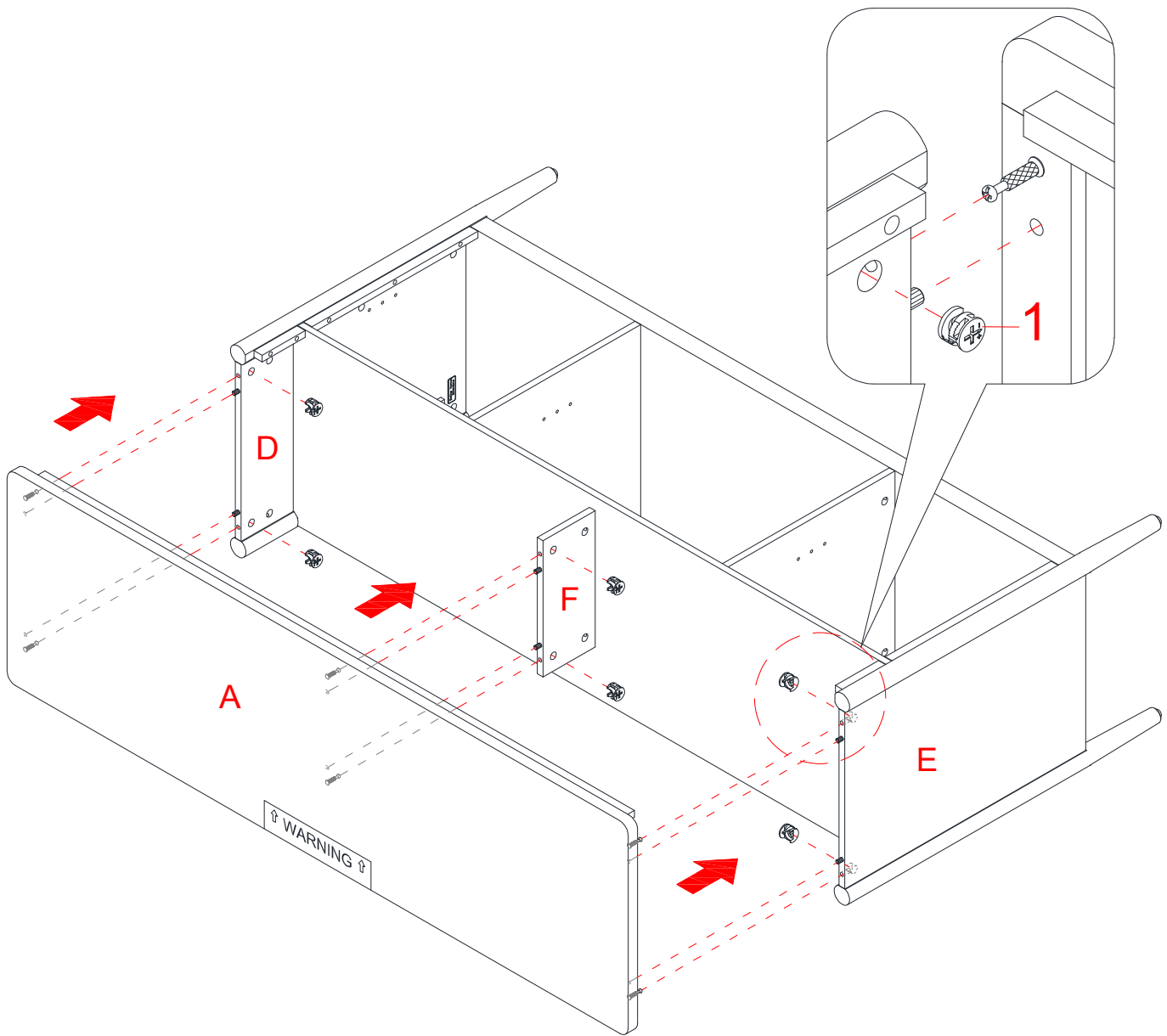
11. Atornillar 2 pernos de fijación (2) en los agujeros pequeños designados en la superficie de la repisa media (B) usando el desarmador estrella.

## Instrucciones de ensamble



12. Adjuntar el panel divisor superior (F) a la repisa media (B) empleando 2 tuercas de fijación (1).

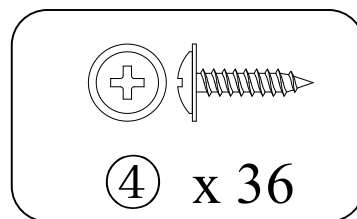
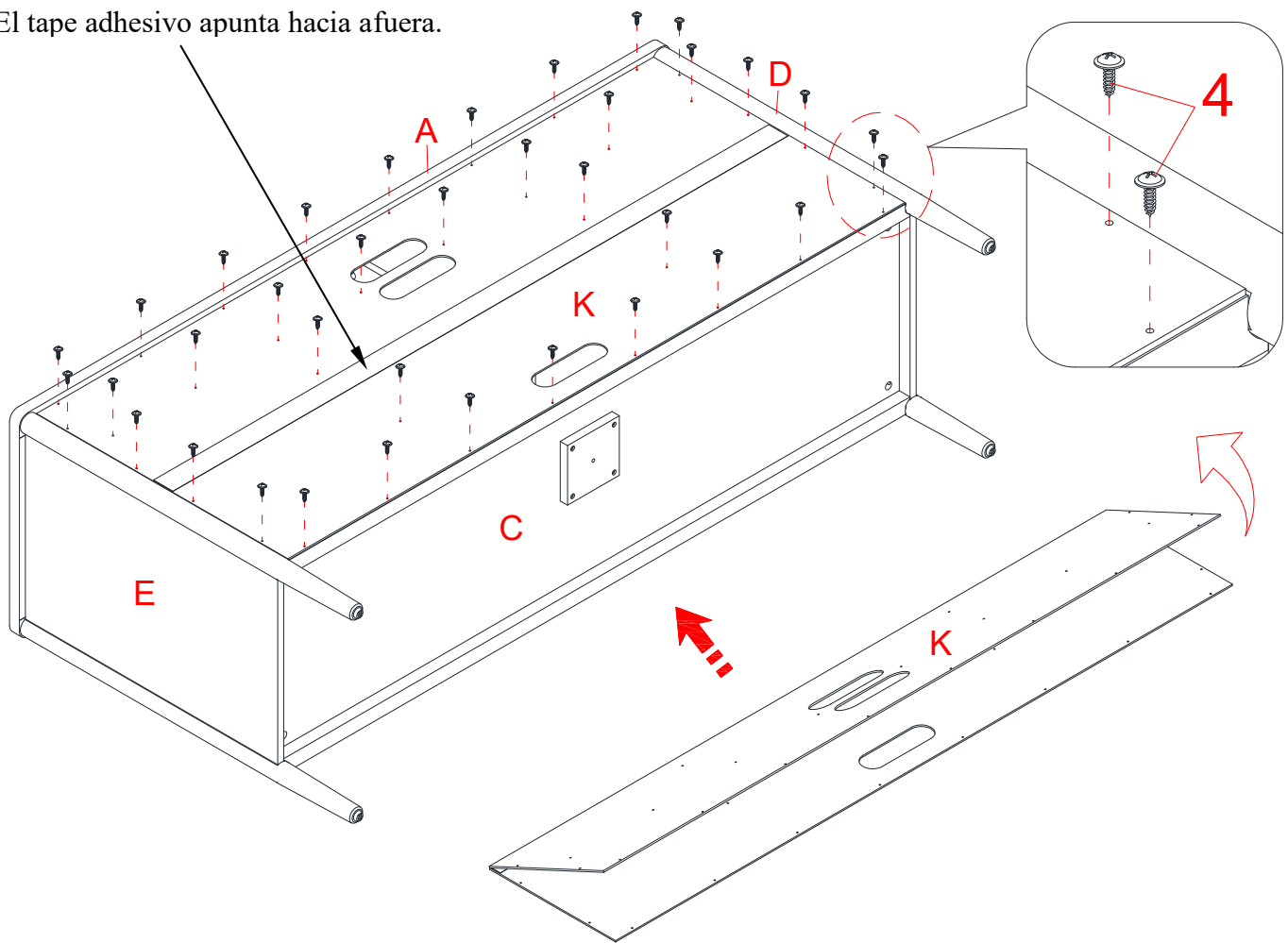
## Instrucciones de ensamble



13. Poner el panel superior (A) sobre las clavijas de madera insertadas (3) sobre los paneles verticales y sujetar en su lugar con 6 tuercas de fijación (1).

## Instrucciones de ensamble

El tape adhesivo apunta hacia afuera.

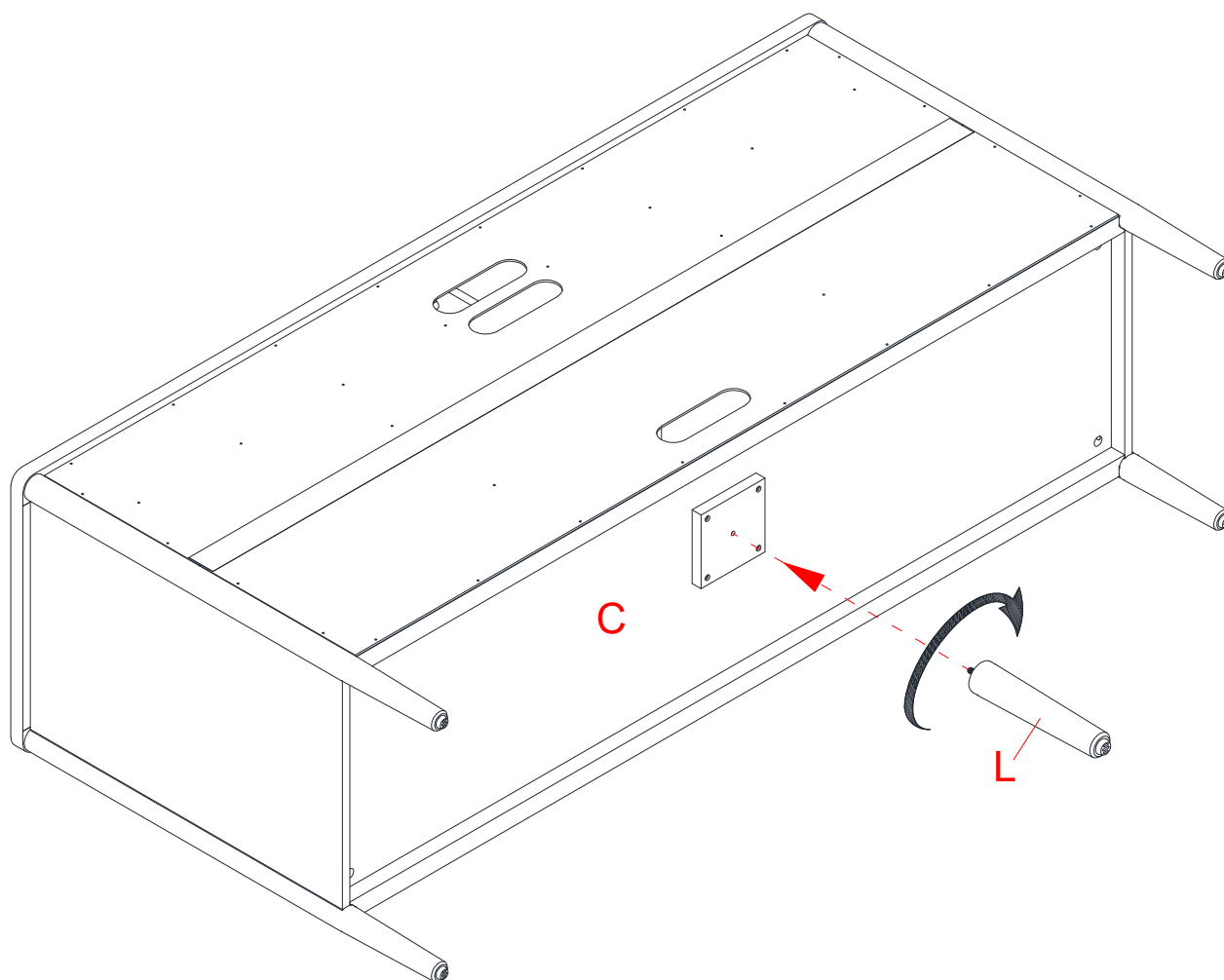


14. Ahora, volver y apretar todas las tuercas de fijación y los pernos. Asegurar que todas las partes estén apretadas y de que no hay huecos entre las partes. Esto ayudará a mantener la unidad cuadrada.
15. Desdoblar el panel posterior (K) y alinear los agujeros pre-perforados contra el borde largo con los agujeros pilotos en el riel posterior del panel superior (A). Y adjuntar en su lugar con los pernos de cabeza de arandela de 15 mm (4) provistos.

**NOTA:** Recomendamos adjuntar el panel posterior con los pernos en las esquinas primero.

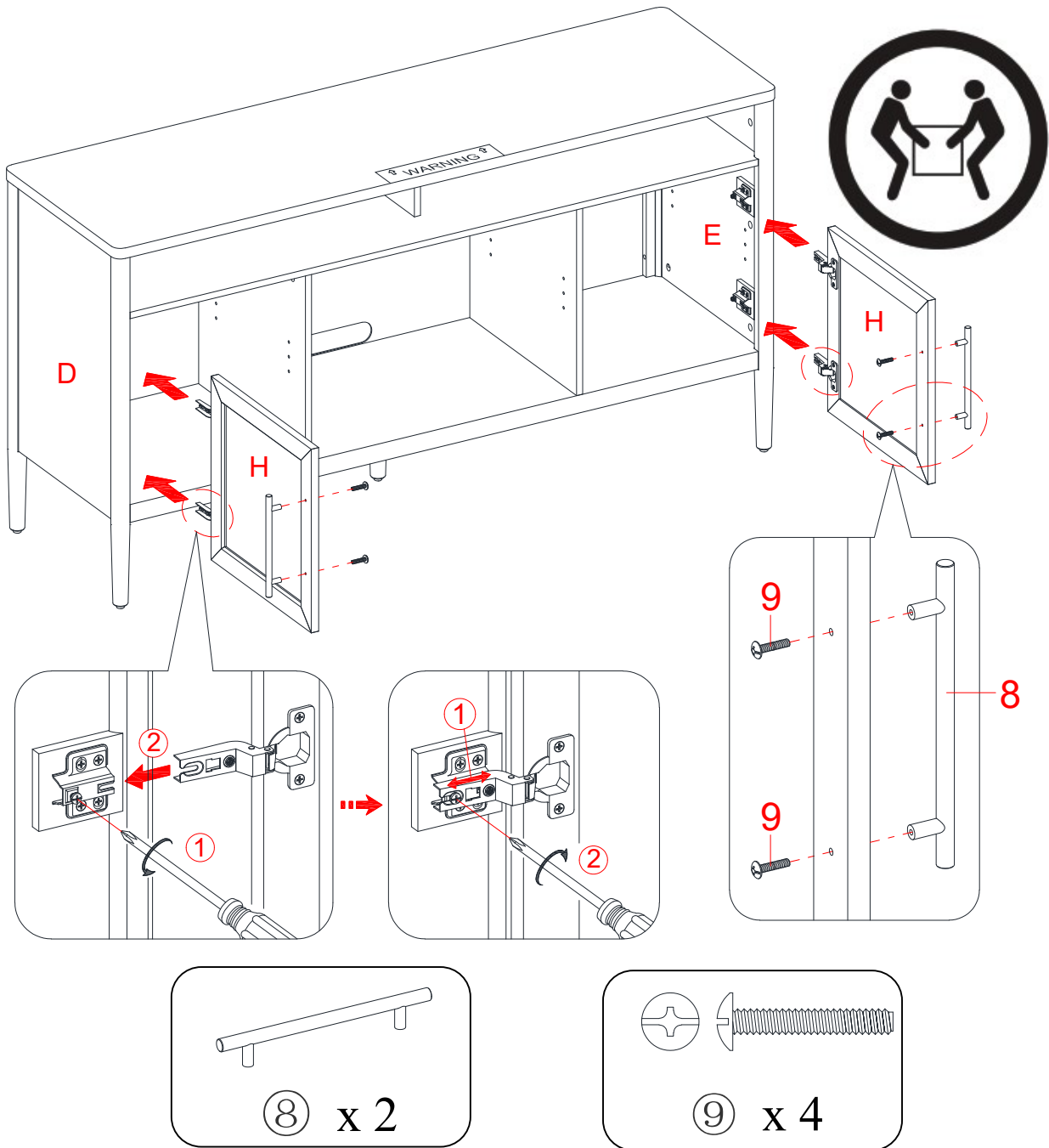


## Instrucciones de ensamble



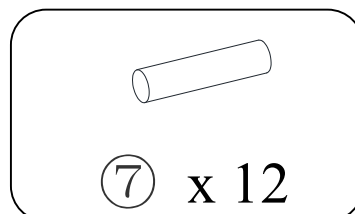
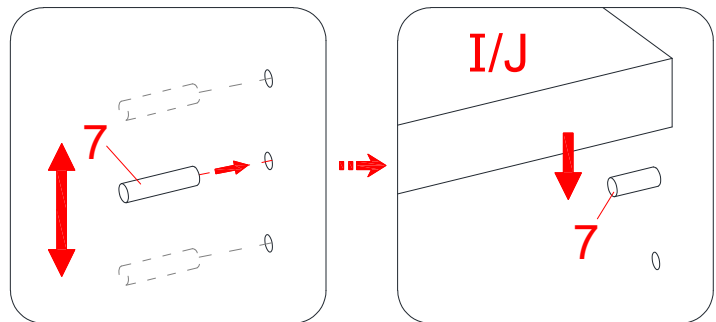
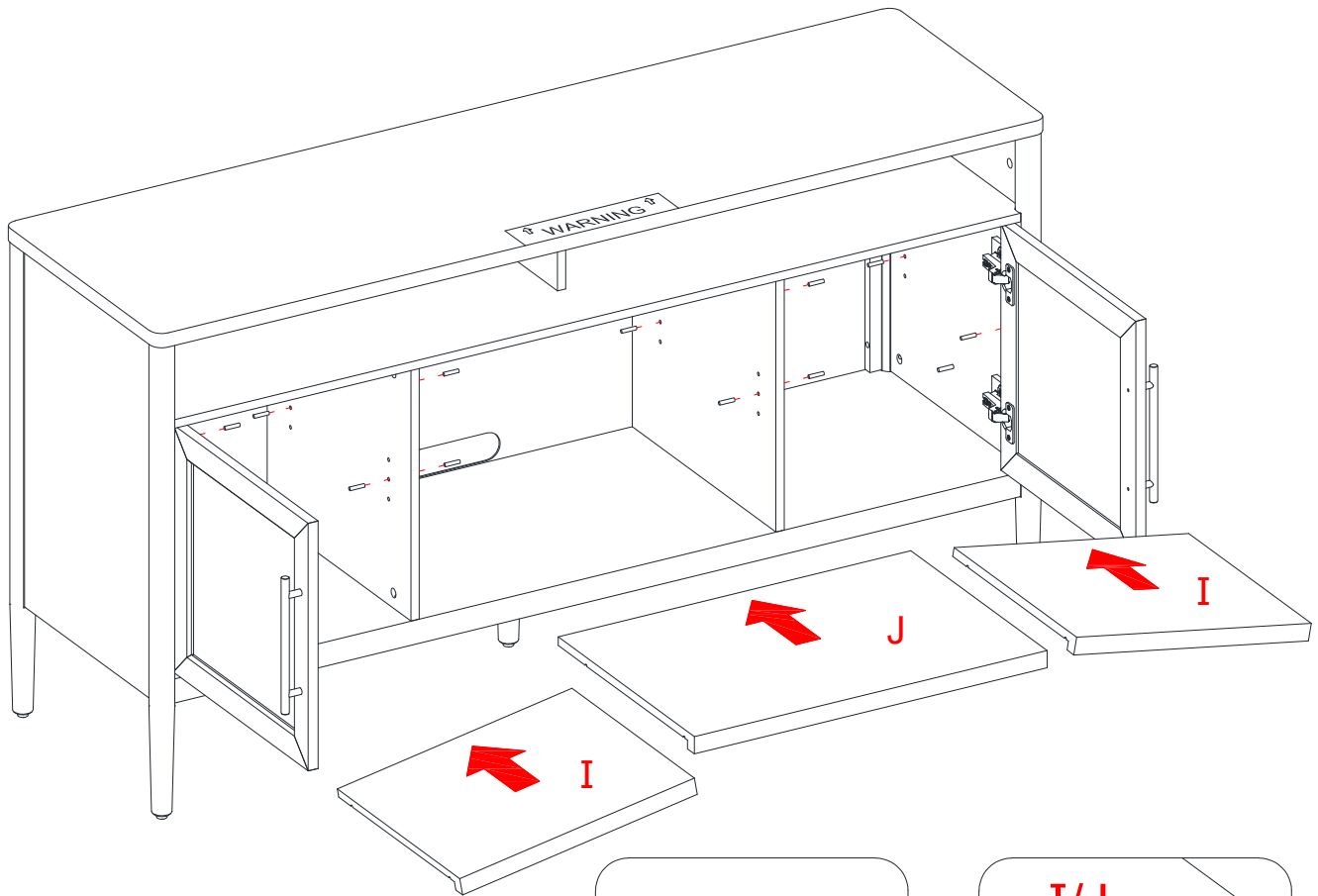
16. Atornillar la pata soporte (L) en los insertos roscados en el panel inferior (C) y ajustar los niveladores de piso a la altura correcta.

## Instrucciones de ensamble



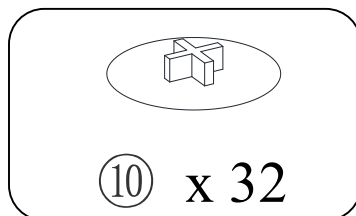
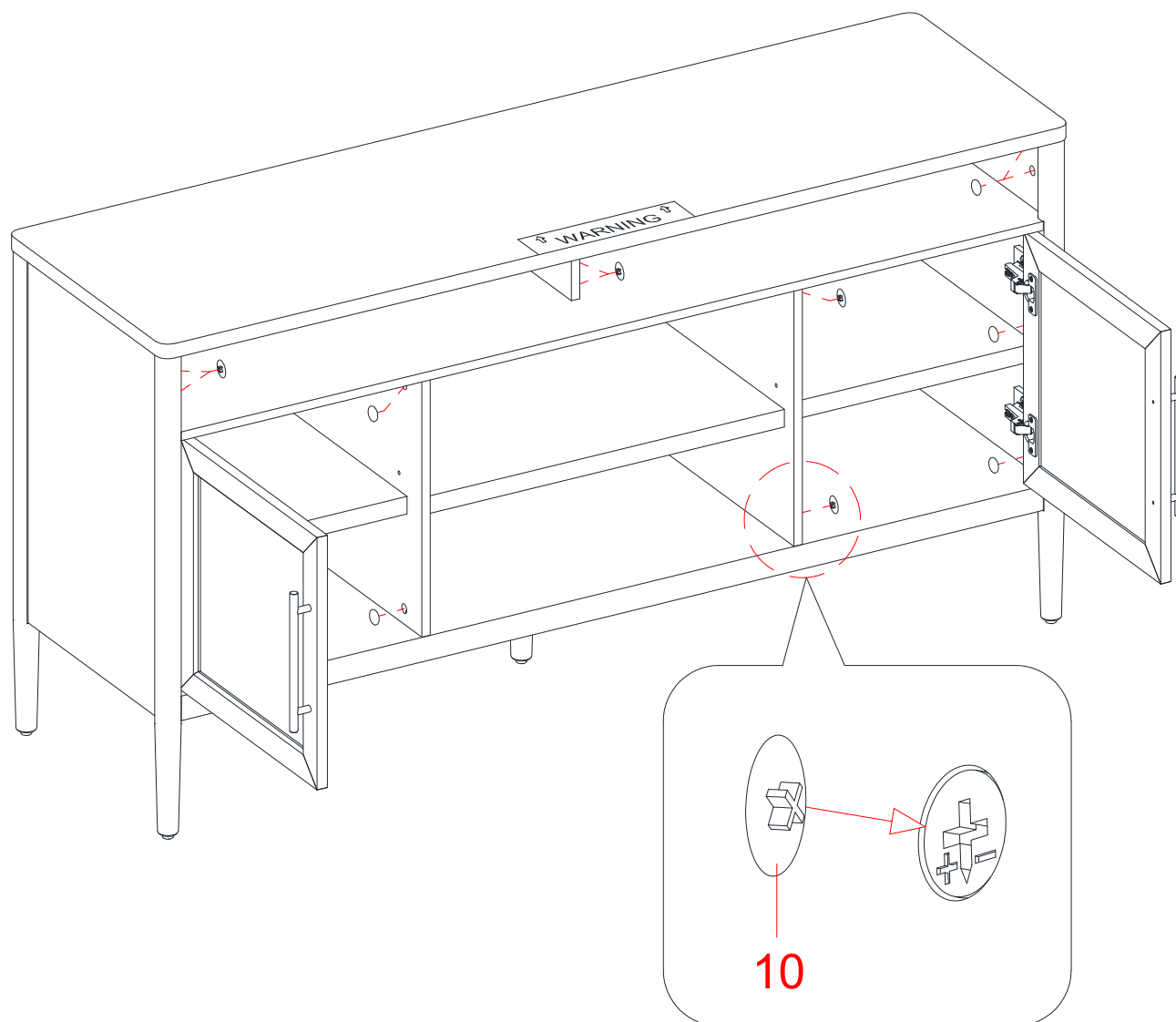
17. Pedir asistencia para poner la unidad ensamblada en posición vertical y poner cerca del lugar final.
18. Adjuntar una manija (8) al frente de cada puerta (H) con 2 pernos de 25 mm (9) por manija.
19. Tomar una puerta (H) y adjuntar los brazos de bisagra extendidos a las bases de bisagras instaladas en el panel izquierdo (D). Aflojar el perno detrás de la base para un ajuste fácil. Alinear e insertar el espacio “U” en el brazo abajo de la cabeza del perno detrás de la base. Asegurar de que las bisagras de puerta participen y funcionen correctamente. Apretar los pernos en la base para trabar las bisagras en su lugar.
20. Repetir el mismo procedimiento para instalar la otra puerta (H) al marco derecho (E).
21. Abrir y cerrar las puertas para asegurar de que estén alineadas y se cierren correctamente. Si fuera necesario, ajustar los pernos para un buen ajuste. Referirse a la etiqueta de la bisagra en el marco de la puerta para ajustar.

## Instrucciones de ensamble



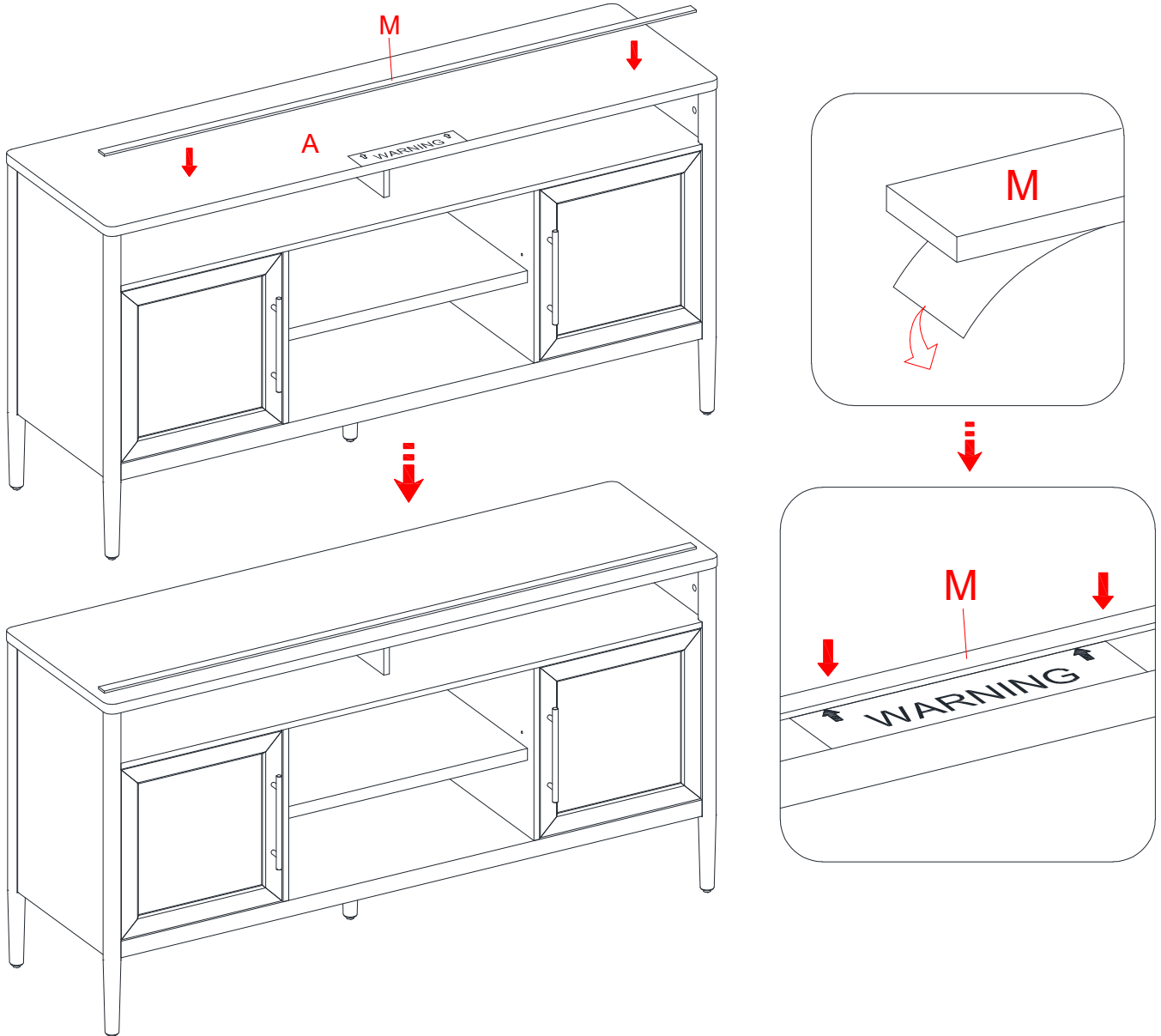
22. Insertar 4 pernos para repisa (7) en los agujeros a las Alturas deseada dentro de cada compartimiento inferior. Voltear y descansar las repisas ajustables (I y J) sobre los pernos para repisa (7).

## Instrucciones de ensamble



23. Enchufar las tapas de las tuercas de fijación (10) sobre las tuercas visibles para esconder.

## Instrucciones de ensamble



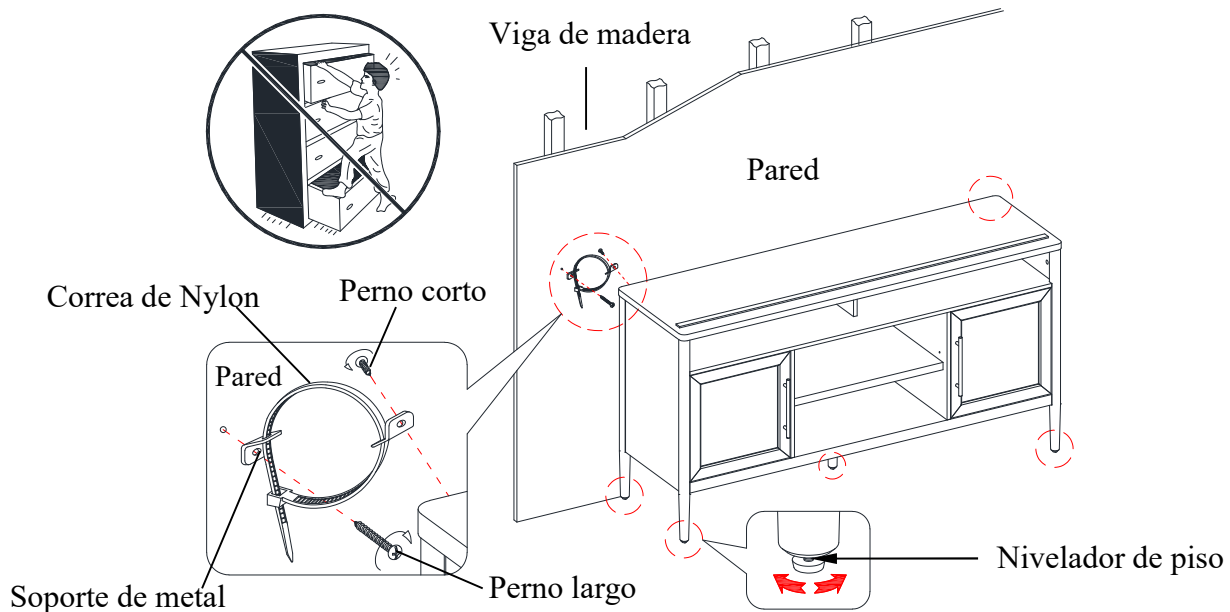
**NOTA:** Para prevenir que su TV se caiga, debe instalar el riel tope si pone su televisión de pantalla plana directamente sobre la consola. De otra manera, vaya al paso 25.

24. Retirar el respaldo de papel del riel tope (M), luego alinear el riel tope con el borde superior del templado del tope en el panel superior (A). Presionar el riel tope para ayudar a la adhesión.

25. Retirar el temple del tope del panel superior (A).

**NOTA:** Cuando ponga su TV en la consola, asegurar de que la base de la TV este detrás del riel tope (M). Esto ayudara a prevenir que la TV se deslice de la consola si la consola se es golpeada o movida accidentalmente.

## Instrucciones de ensamble



**Herramientas requeridas (no incluidas):** Desarmador estrella, buscador de vigas, cinta métrica, lápiz, taladro y broca de 1/8 pulgadas.

26. Pedir asistencia para poner la unidad ensamblada en el lugar deseado contra la pared. Si fuera necesario, ajustar los niveladores de piso pre-adjuntados en la parte inferior de los marcos laterales (D y E) y en la pata soporte (L) para nivelar las puertas y corregir la inclinación.
27. Ahora, siga las instrucciones imprimidas en la bolsa de plástico que contiene el juego de restricción de movimiento para adjuntar los topes de movimientos a la unidad y pared.

**NOTA:** El juego de restricción incluido es para paredes con vigas de madera. Se debe adjuntar a una viga de madera. Dependiendo de la construcción de pared, diferentes anclas podrán ser requeridas. Por favor contacte su tienda local de ferretería para asistencia. Niños pequeños pueden resultar lastimados por muebles inclinados. Debe instalar el juego de restricción de movimiento con la unidad en función, para prevenir la inclinación de la unidad, causando cualquier accidente o daño. El tope de movimiento es solo un impedimento, no hay sustituto para la supervisión adulta. El tope de movimiento no es contra terremotos. Si deseara añadir la seguridad extra contra terremotos, deben ser comprados e instalados separadamente.

28. La consola está lista para usarse. Asegurar de posicionar su TV de pantalla plana en el centro de la consola, atrás del riel tope (M).

**⚠ ADVERTENCIA**

--	--	--

**Los niños han muerto por el vuelco de los muebles. Para reducir el peligro de que el mueble se vuelca:**

- SIEMPRE asegurar el mueble a la pared usando un tope de movimiento.
- NUNCA permitir que niños se paren, suban, o cuelguen de los cajones, puertas, o repisas.
- Poner los objetos más pesados en los cajones inferiores.

## Mantenimiento y Cuidados

- Use una toalla suave y limpia para evitar daños y rayaduras.
- Uso de cera para pulir muebles no es necesario. Si desea usar cera, pruébela en un área que no sea visible para revisar su funcionamiento.
- Usar solventes de cualquier tipo puede dañar el acabado del mueble.
- Nunca use agua para limpiar la unidad, ya que le puede dañar el acabado.
- Siempre utilice protección para vasos cuando los ponga sobre la unidad.
- Líquidos derramados deben limpiarse inmediatamente, con una toalla suave evitando tallar.
- Siempre utilizar protectores en caso de poner cosas calientes. El calor puede provocar una reacción química en el acabado y dañarlo.
- Marcas o manchas de crayones o plumas serán difíciles de retirar.
- En caso que su unidad sea manchada durante el uso le recomendamos hablar a un profesional para que le ayude.
- Revisar los pernos periódicamente y apretar en caso necesario.
- Un plumón esta provisto para minimizar los golpes o rayaduras pequeños que puedan ocurrir durante el ensamble o envío.

### Más recomendaciones para el cuidado de su mueble

Es mejor mantener la unidad en un área de clima controlado. Temperatura extrema y cambios de humedad pueden causar cambios como partes pandas, molduras que se contraigan o que la madera se raje. Es recomendable mantener la unidad lejos del sol directo ya que puede dañar el acabado.

Cuidados adecuados y limpieza pueden extender la vida útil de su unidad. Siga estas recomendaciones y mantendrá su mueble en buenas condiciones de uso por muchos años.

## ADVERTENCIA

Por favor use sus muebles de forma correcta y segura. El uso incorrecto puede causar peligros, o danos a su mueble o artículos de la casa. Lear cuidadosamente la siguiente información de seguridad.

Esta unidad no debe utilizarse con TVs CRT. La carga máxima de la superficie superior es 80 lb. (36.3 kg) y puede aguantar una TV de pantalla plana de 70in. (177.8 cm) diagonal. La carga máxima de la repisa es 50 lbs. (22.7 kg). El uso con TVs de mayor peso puede resultar en inestabilidad causando que la unidad caiga, causando en algunos casos daños o muerte.

La muerte o lesiones serias pueden ocurrir cuando los niños se trepan al equipo de audio y/o video del mueble. Un control remoto o juguetes puestos sobre el mueble pueden animar a un niño a treparse al mueble y causar que el mueble se caiga sobre el niño.

**NUNCA** permita que niños se trepen o jueguen con la TV o equipo de soporte para TV.

**NUNCA** poner juguetes, comida, controles, etc. sobre la TV o el mueble.

**SIEMPRE** use el equipo de seguridad como se indica u otro equipo de anclaje para pared.

La reubicación del equipo de audio y/o video a un mueble no diseñado para apoyar equipos de audio y/o video puede resultar en la muerte o lesiones serias debido al colapso del mueble o a que se caiga sobre un niño.

**NUNCA** poner la TV sobre muebles que no soportan una TV.

**NUNCA** exceder el tamaño o peso máximo de la TV mostrada en las instrucciones.

Asegúrese de consultar la etiqueta de aviso de la TV mostrada en las instrucciones.

Sobrecargar los cajones y repisas puede resultar en muebles que se rompen o hunden, o se in volqueen resultando en lesiones.

**NUNCA** exceder los límites de peso mostrados en las instrucciones.

Poner los objetos más pesados en las repisas bajas tan lejos del frente como sea posible.

Cargar las superficies inferiores primero para evitar muebles pesados de arriba.

Mover muebles que no están diseñados para ser movidos o equipados con ruedas puede resultar en lesiones o daños al mueble o a objetos personales.

**SIEMPRE** descargar repisas o cajones, empezando con las superficies superiores, antes de mover.

**NUNCA** empujar o jalar el mueble sobre alfombras. Pedir ayuda para levantar el mueble para mover y/o reposicionar.

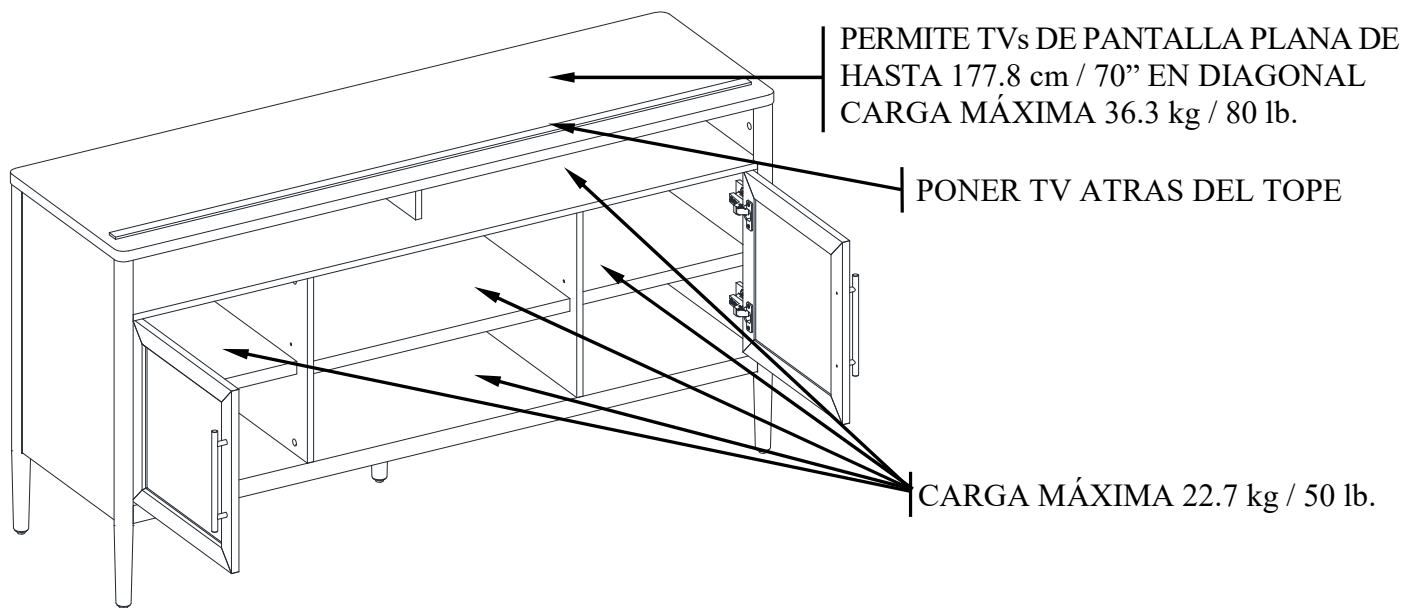
La unidad no está hecha para ser un asiento y nadie debería estar sentado o parado sobre el panel superior.

## MÁXIMO PESO RECOMENDADO

FABRICANTE: Whalen Furniture Manufacturing

CATALOGO : Consola multimedia Oaklee

MODELO # BHS3025004001



### **ADVERTENCIA**

ESTA UNIDAD NO DEBE UTILIZARSE CON TELEVISIONES CRT O DE TUBO. UTILIZARSE ÚNICAMENTE CON TELEVISIONES DE PANTALLA PLANA Y EQUIPO DE AUDIO/VIDEO QUE TENGA LA MEDIDA/PESO RECOMENDADO. NUNCA UTILIZAR CON TELEVISIONES MÁS GRANDES/PESADAS DE LAS RECOMENDADAS. PARA EVITAR INESTABILIDAD COLÓQUELA EN EL CENTRO DE LA UNIDAD; LA BASE DE LA TELEVISIÓN DEBE DE REPOSAR SOBRE LA SUPERFICIE DE SOPORTE DE LA UNIDAD SIN REBASAR LAS ORILLAS. LAS TELEVISIONES DE PANTALLA PLANA COLOCADAS INAPROPIADAMENTE, O LAS TELEVISIONES DE PANTALLA PLANA INCLUYENDO EQUIPO QUE SOBREPASA LAS MEDIDAS Y PESOS RECOMENDADOS PUEDEN CAERSE Y/O ROMPER LA UNIDAD, CAUSANDO POSIBLES DAÑOS O LESIONES. PARA USO DE TELEVISIONES DE HASTA 80 LB (36.3 KG) O MENOS. USO CON TELEVISIONES DE MAYOR PESO PUEDE RESULTAR EN INESTABILIDAD CAUSANDO QUE LA UNIDAD CAIGA EN ALGUNOS CASOS PROVOCAR DAÑOS O MUERTE.

## **GARANTÍA DE CALIDAD**

Nosotros estamos seguros que usted se encontrará feliz con la compra de este producto de Whalen Furniture. Si este producto tiene algún defecto de ensamble o material, o si tiene alguna falla en uso normal, nosotros lo repararemos o lo re-emplazaremos hasta por un año a partir de la fecha de compra. Todo producto de Whalen Furniture es diseñado para alcanzar sus expectativas más altas. Nosotros le garantizamos que inmediatamente podrá ver el valor de nuestra mercancía de la más alta calidad.

Esta garantía le proporciona derechos legales específicos y tal vez tenga otros derechos que varían de estado a estado.

Whalen Furniture Manufacturing  
1578 Air Wing Road, San Diego, CA 92154, USA

Servicio al cliente: 866-942-5362

Hora estándar del Pacífico: 8:30 a.m. - 4:30 p.m., de Lunes a Viernes

[www.whalenstyle.com](http://www.whalenstyle.com)