

Canton Nightstand

Stock # BHS336158813013



ADULT ASSEMBLY REQUIRED

If you have any questions regarding assembly or if parts are missing, DO NOT return this item to the store where it was purchased. Please call our customer service number and have your instructions and parts list ready to provide the model name, part name or factory number:

866-942-5362

Pacific Standard Time: 8:30 a.m. - 4:30 p.m., Monday - Friday

Or visit our web site 24 hours a day, 7 days a week for product assistance at

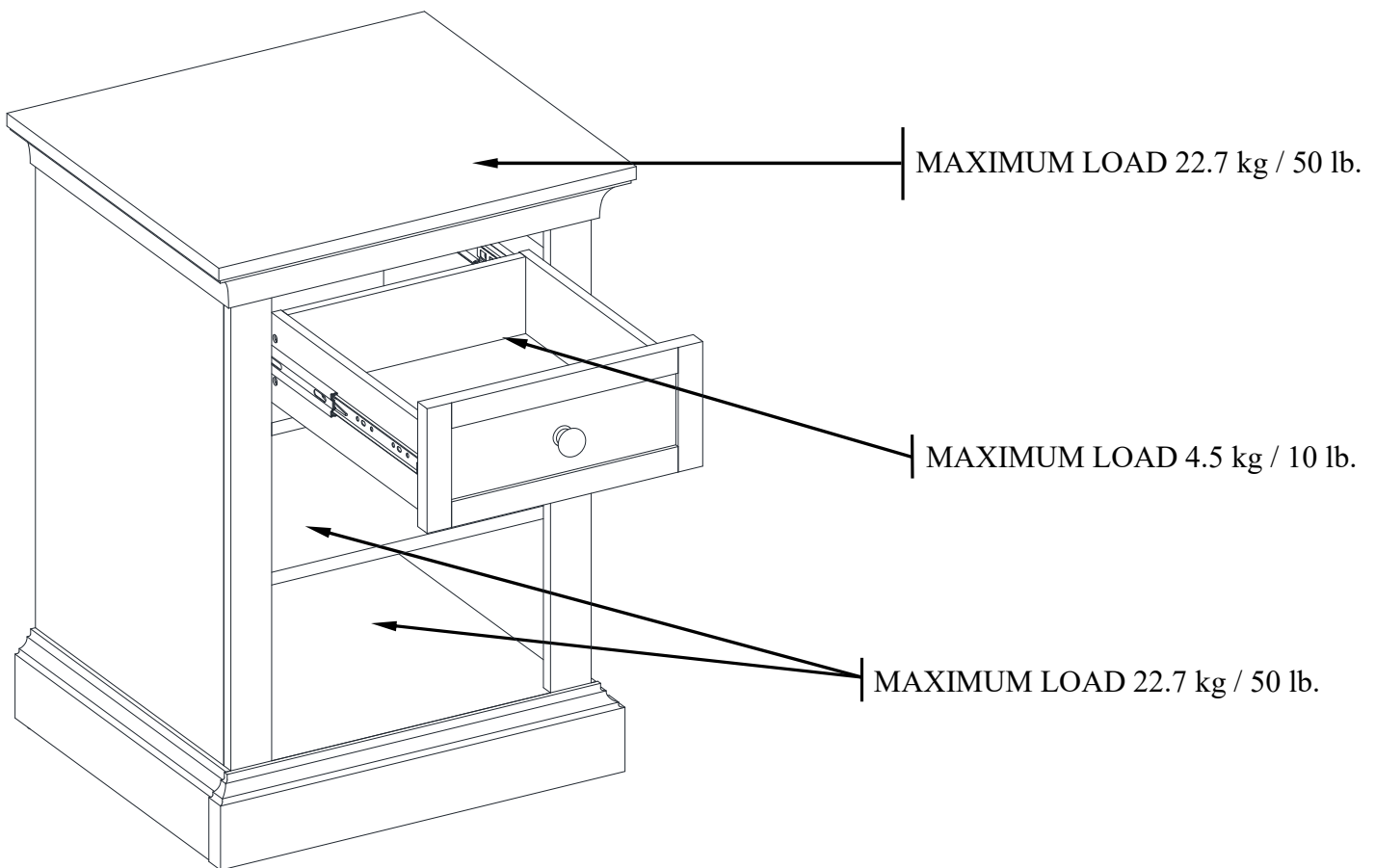
www.whalenstyle.com

Or e-mail your request to **parts@whalenfurniture.com**

**THIS INSTRUCTION BOOKLET CONTAINS IMPORTANT SAFETY INFORMATION.
PLEASE READ AND KEEP FOR FUTURE REFERENCE.**

MAXIMUM RECOMMENDED WEIGHT LOADS

MANUFACTURER: Whalen Furniture Manufacturing
CATALOG : Canton Nightstand
MODEL # BHS336158813013



⚠ WARNING

THIS UNIT IS INTENDED ONLY FOR USE WITHIN THE MAXIMUM WEIGHTS INDICATED. USE WITH LOAD HEAVIER THAN THE MAXIMUM WEIGHTS INDICATED MAY RESULT IN INSTABILITY, CAUSING POSSIBLE INJURY.

SPECIAL NOTE

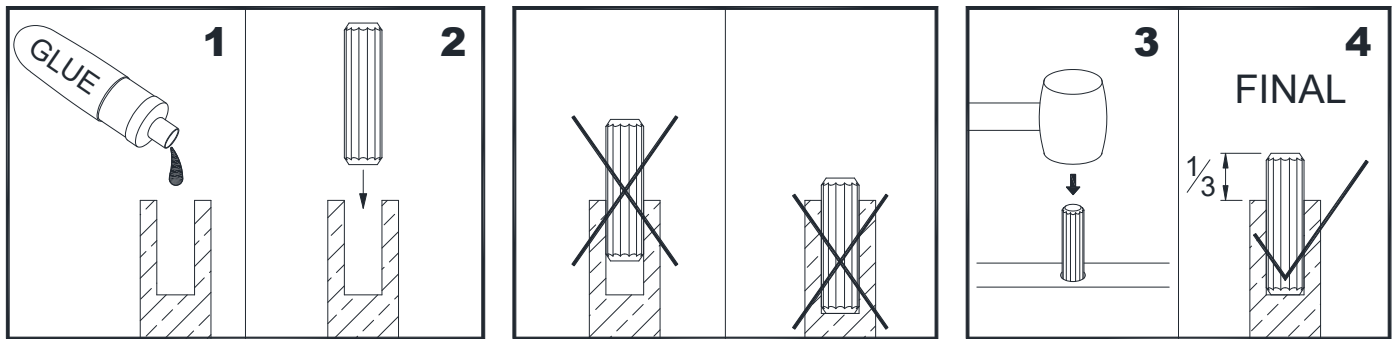
Please read the instruction sheets completely before assembly. Examine all packaging material before discarding carton. Remove any remaining staples from the carton before discarding. Remove all parts from carton and separate into groups as indicated on part list. Please ensure all parts are included prior to assembly. Use of power tools to complete assembly is not recommended.

IMPORTANT

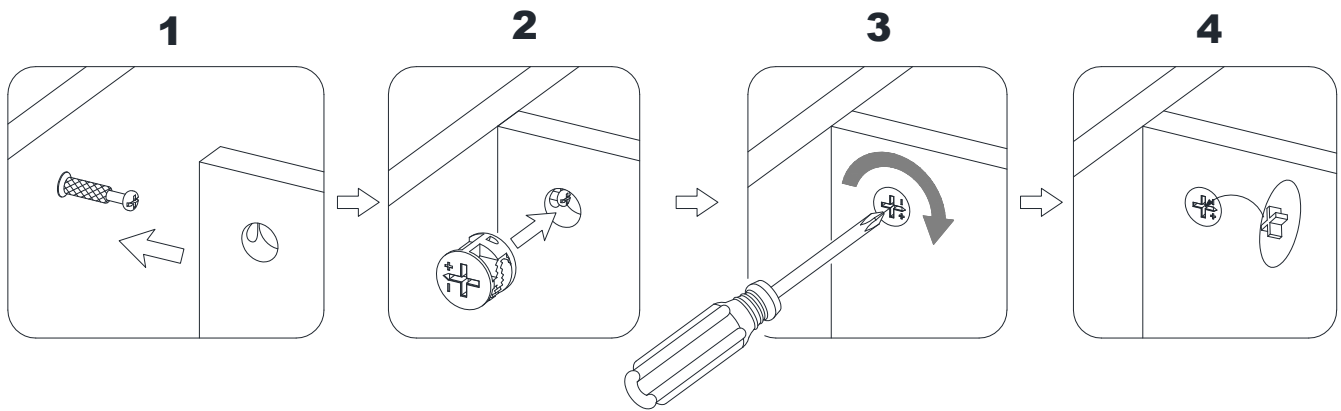
Before you begin: Open, identify and count all parts prior to assembly. Lay out parts on a flat and non-abrasive surface. You will need the parts identified on page 4 and 5 of this instruction manuals.

NOTE: IT IS VERY IMPORTANT TO USE GLUE WITH DOWELS. EXCESS GLUE CAN BE WIPED OFF WITH DAMP CLOTH.

Insert the dowel at least half way by tapping lightly with a rubber mallet, IF NECESSARY.



CAM LOCK SYSTEM OPERATION



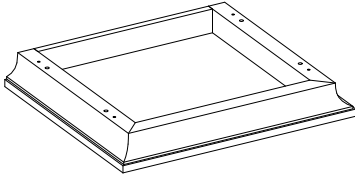
HOW THE KNOCK DOWN (KD) ASSEMBLY SYSTEM WORKS

1. Screw the Cam Bolt into the threaded inserts on the panel. Connect both panels together; making sure Cam Bolt goes into the pre-drilled hole on the end of panel for Cam Lock.
2. Insert the Cam Lock into the pre-drilled large hole on the panel. Make sure the arrow on the face of Cam Lock faces out and points towards Cam Bolt.
3. Take a Phillips screwdriver and rotate the Cam Lock clockwise to lock the Cam Bolt in place.
4. Plug the Cam Lock Cover into the cross slot of the Cam Lock to conceal the Cam.

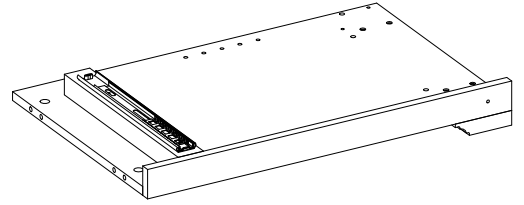
You are now ready to assemble the KD unit.

Parts and Hardware List

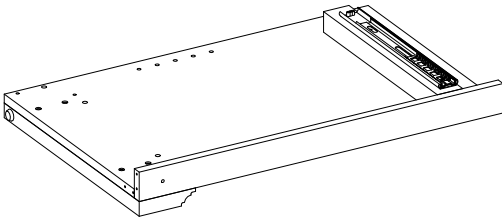
Please read completely through the instructions and verify that all listed parts and hardware are present before beginning assembly.



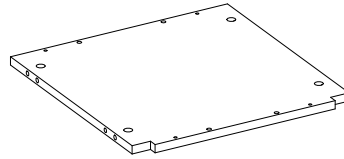
A- Top Panel
(Qty. 1)



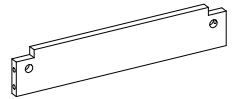
B- Left Side Panel
(Qty. 1)



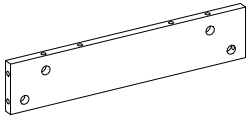
C- Right Side Panel
(Qty. 1)



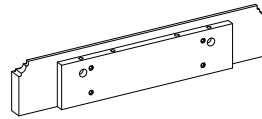
D- Bottom Panel
(Qty. 1)



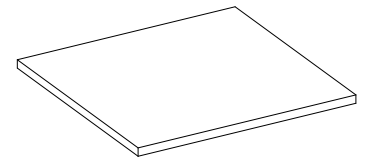
E- Front Crossbar
(Qty. 1)



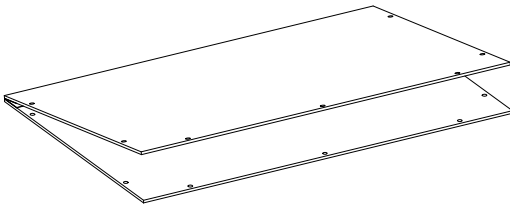
F- Bottom Back Skirting
(Qty. 1)



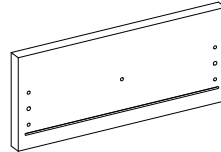
G- Bottom Front Skirting
(Qty. 1)



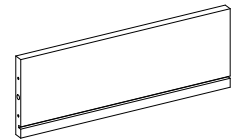
H-Adjustable Shelf
(Qty. 1)



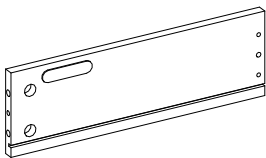
I- Back Panel
(Qty. 1)



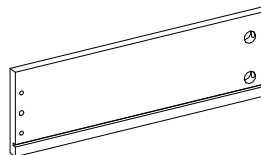
J- Drawer Front Panel
(Qty. 1)



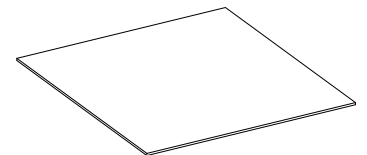
K- Drawer Back Panel
(Qty. 1)



L- Drawer Left Side Panel
(Qty. 1)



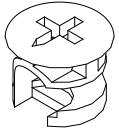
M- Drawer Right Side Panel
(Qty. 1)



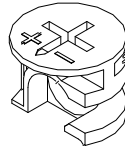
N- Drawer Bottom Panel
(Qty. 1)

Parts and Hardware List

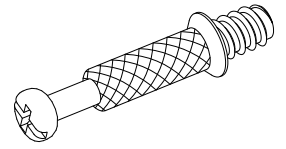
Please read completely through the instructions and verify that all listed parts and hardware are present before beginning assembly.



(1) Small Cam Lock
(Qty. 4+1 extra)



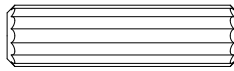
(2) Large Cam Lock
(Qty. 16+1 extra)



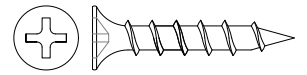
(3) Cam Bolt
(Qty. 20+1 extra)



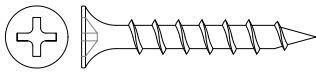
(4) M6 x 30 mm Small Wood Dowel
(Qty. 4+1 extra)



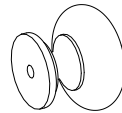
(5) M8 x 30 mm Large Wood Dowel
(Qty. 16+1 extra)



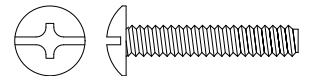
(6) M4 x 25 mm Screw
(Qty. 2+1 extra)



(7) M3.5 x 30 mm Screw
(Qty. 4+1 extra)



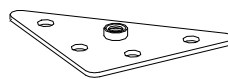
(8) Knob
(Qty. 1)



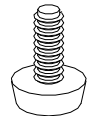
(9) 5/32" x 22mm Bolt
(Qty. 1)



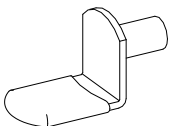
(10) M3.5 x 15 mm Pan Head Screw
(Qty. 8+1 extra)



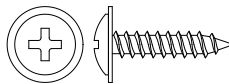
(11) Triangle Metal Plate
(Qty. 2)



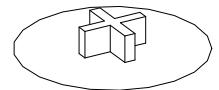
(12) Floor Leveler
(Qty. 2)



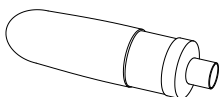
(13) Shelf Support
(Qty. 4+1 extra)



(14) M3.5 x 15 mm Washer Head Screw
(Qty. 14+1 extra)



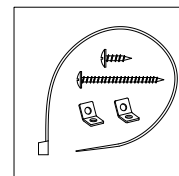
(15) Cam Lock Cover
(Qty. 4+1 extra)



Glue
(Qty. 1)



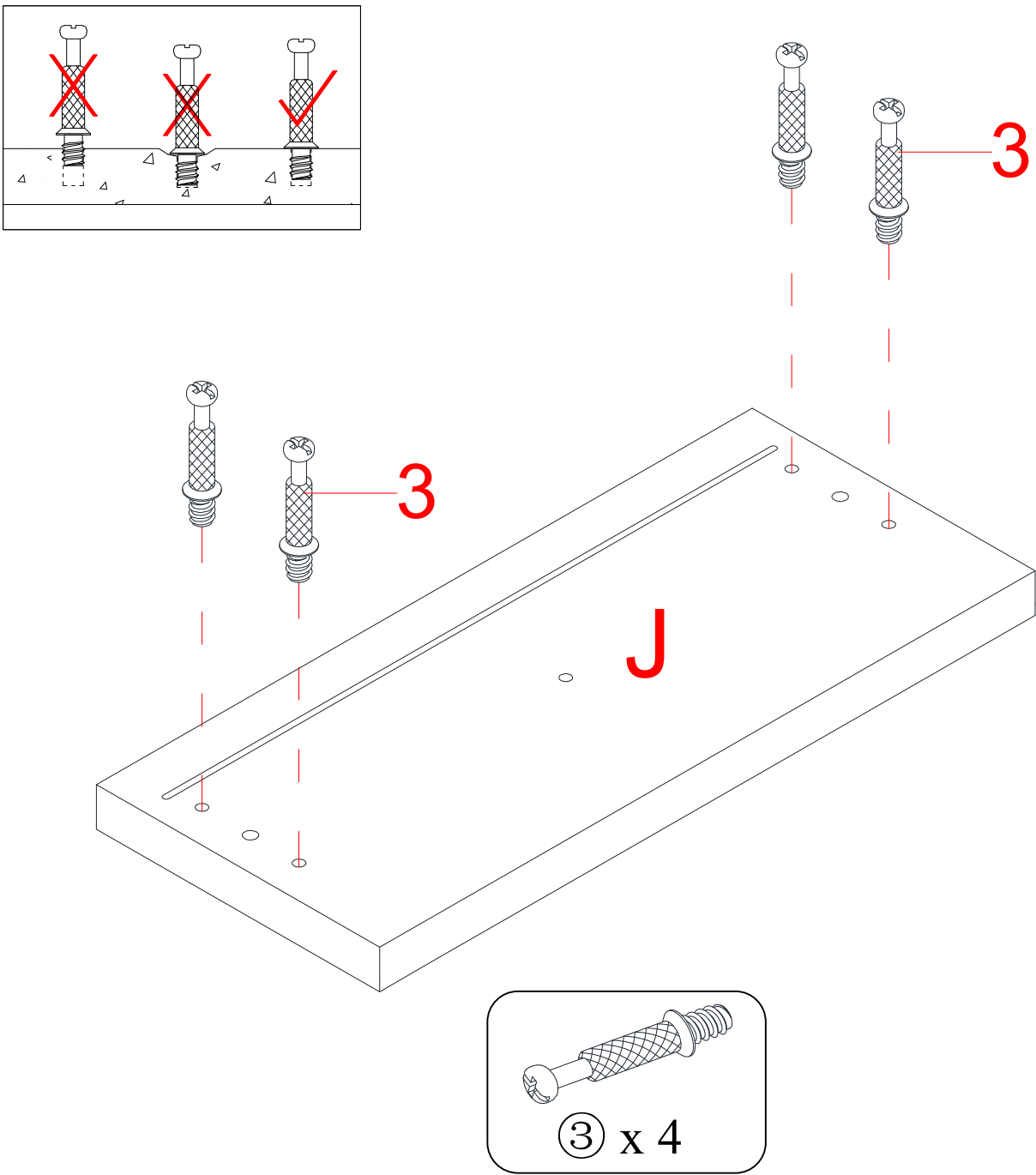
Touch-up Pen
(Qty. 1)



Tipping Restraint Hardware Kit (Qty.1)
(Included in plastic bag)

Tools required (not provided): Phillips's screwdriver, stud finder, tape measure, pencil, power drill and 1/8" drill bit.

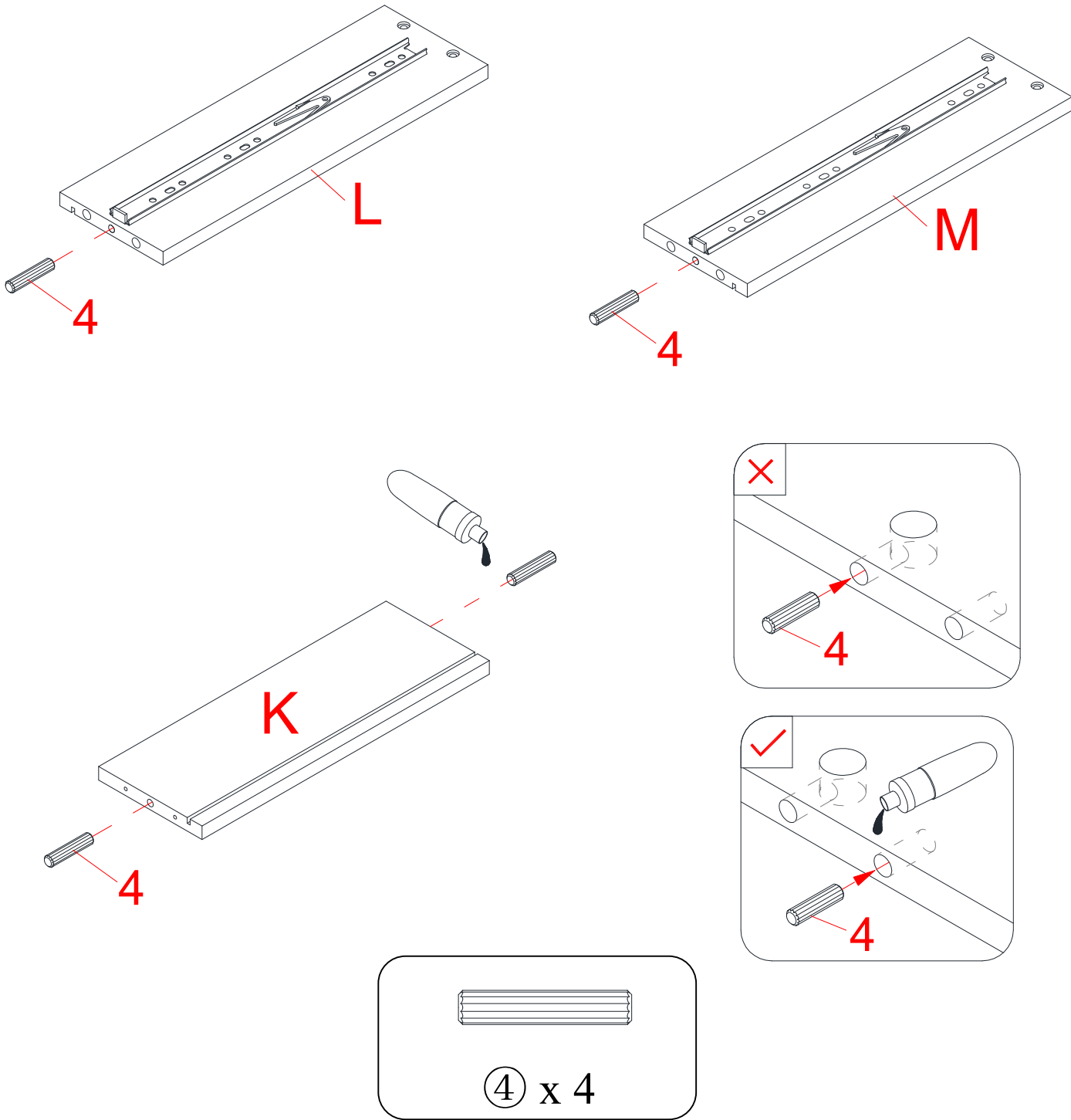
Assembly Instructions



NOTE: Please do not fully tighten all cam locks and screws until you finish assembling all parts. Once assembled, go back and fully tighten all cam locks and screws. This will make the assembly easier.

1. Unpack the unit and confirm that you have all the hardware and required parts listed. Assemble the unit on a carpeted floor or the empty carton to avoid any scratch.
2. Securely screw four Cam Bolts (3) into the designated small holes on the Drawer Front Panel (J) using a Phillips screwdriver.

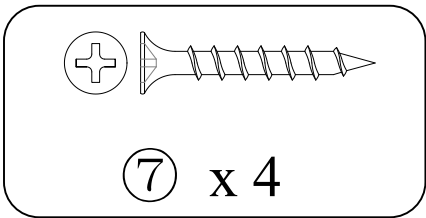
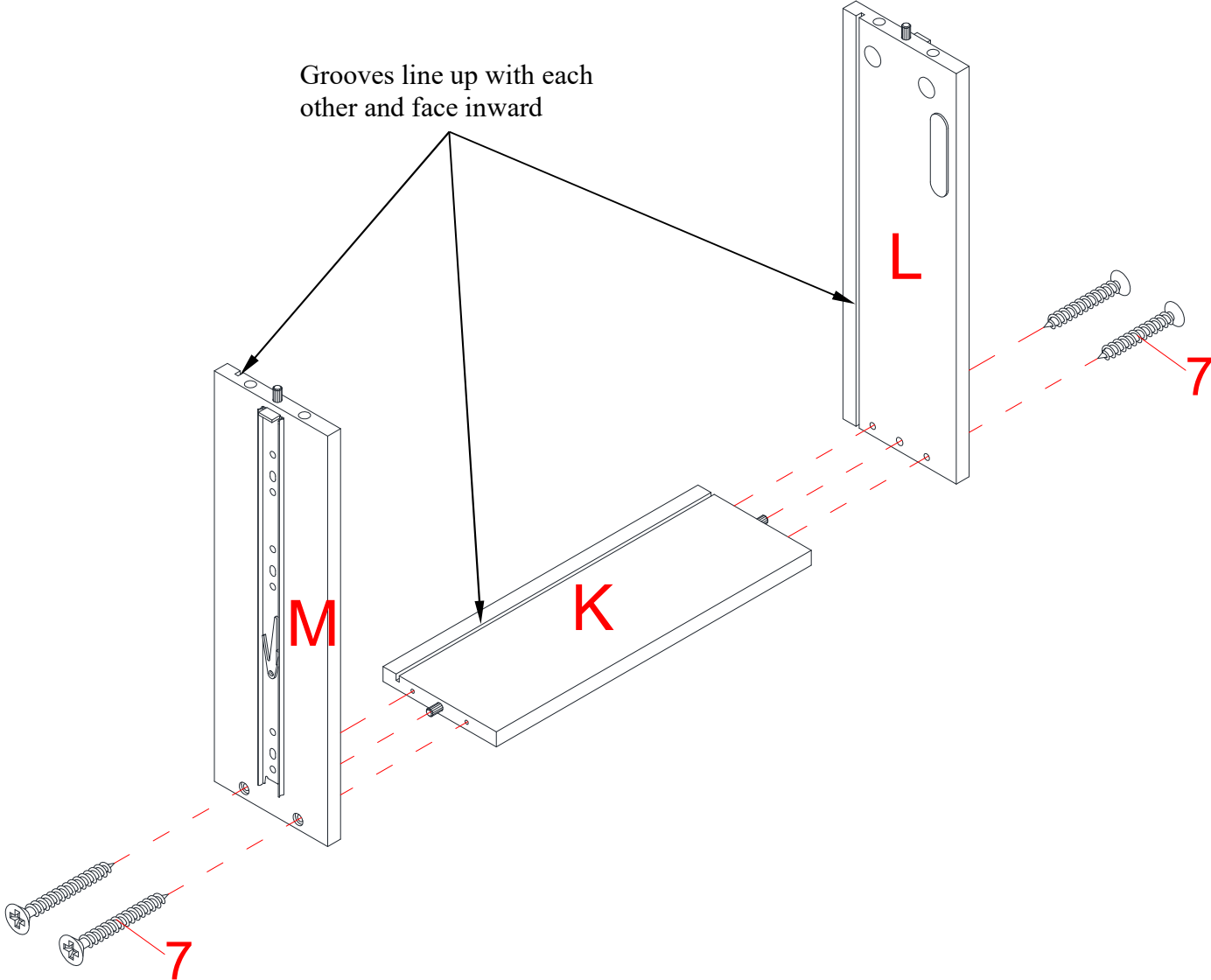
Assembly Instructions



3. Glue the Small Wood Dowels (4) into the inner holes on the Drawer Back Panel (K) and Drawer Side Panels (L and M).

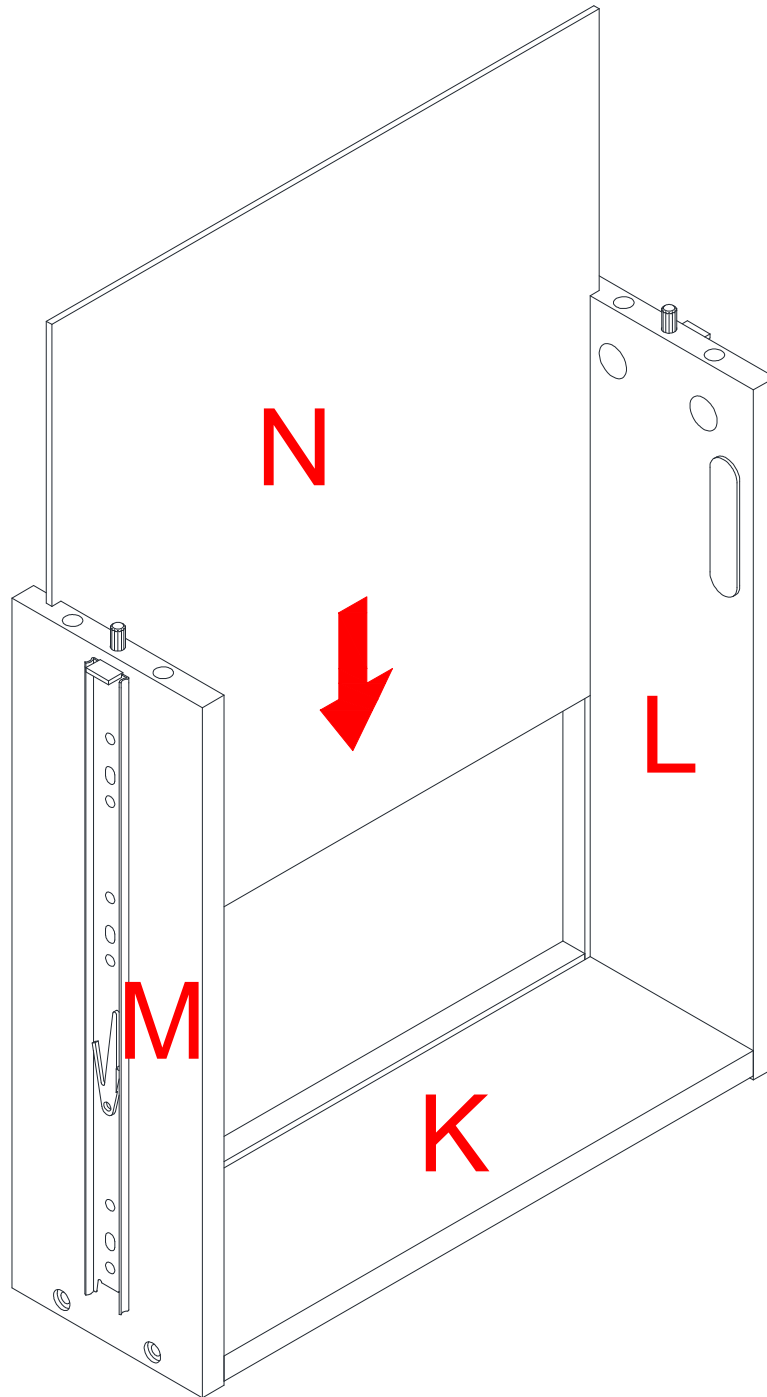
NOTE: It is very important to use a small amount of glue on both ends of dowels and wipe away the excess glue immediately.

Assembly Instructions



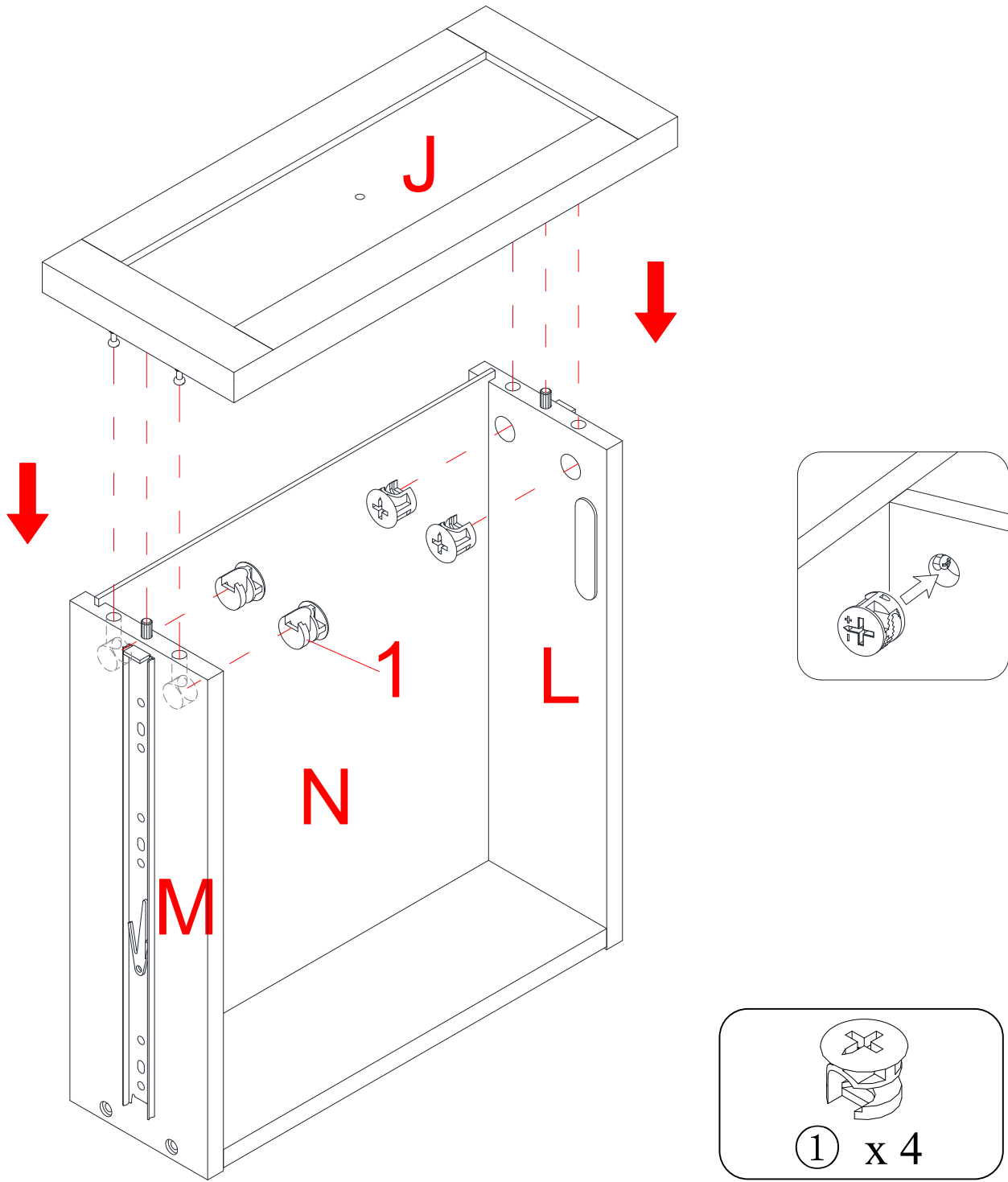
- 4. Attach the Drawer Back Panel (K) between the Drawer Side Panels (L and M) with four 30 mm Screws (7).

Assembly Instructions



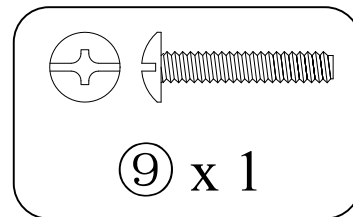
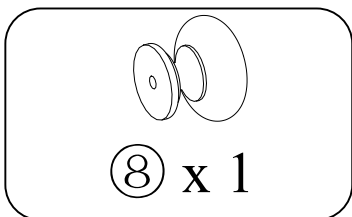
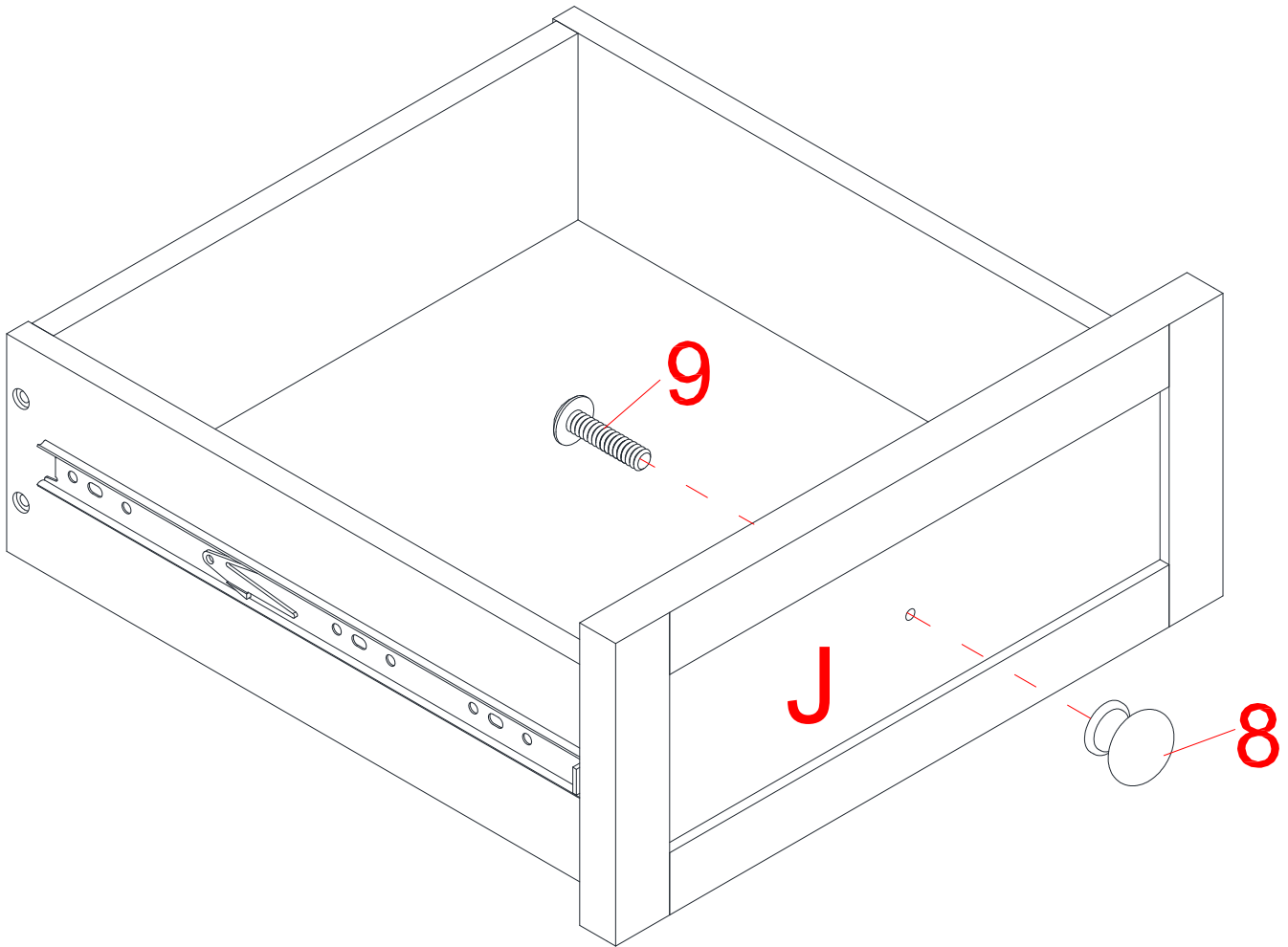
5. Slide the Drawer Bottom Panel (N) into the grooves until fully inserted into the Drawer Back Panel (K).

Assembly Instructions



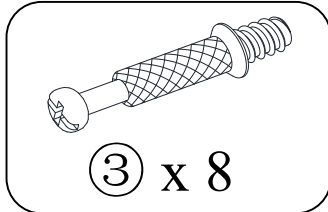
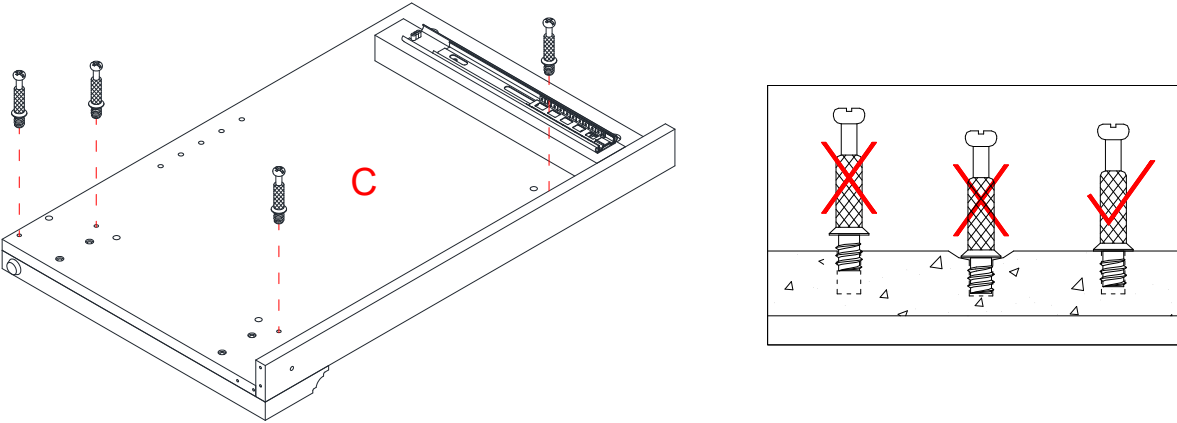
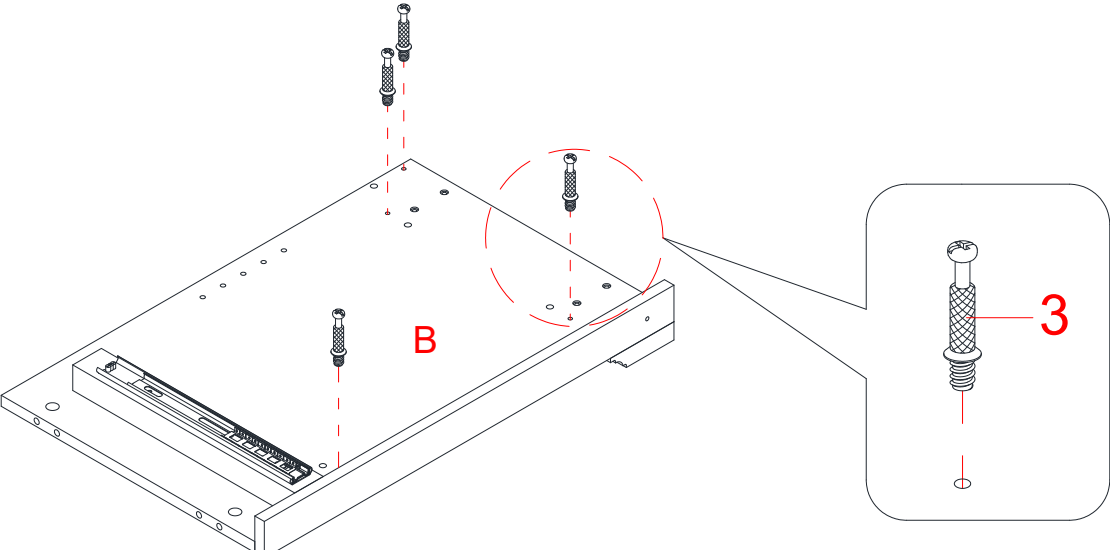
6. Stand the previous assembly at its back panel.
7. Position the Drawer Front Panel (J) onto the inserted Wood Dowels and fasten it in place by engaging 4 Small Cam Locks (1). (Refer to page 3 on Cam Lock system operation supplement). Make sure that the Drawer Bottom Panel (N) fits securely into the groove of the Drawer Front Panel (J).

Assembly Instructions



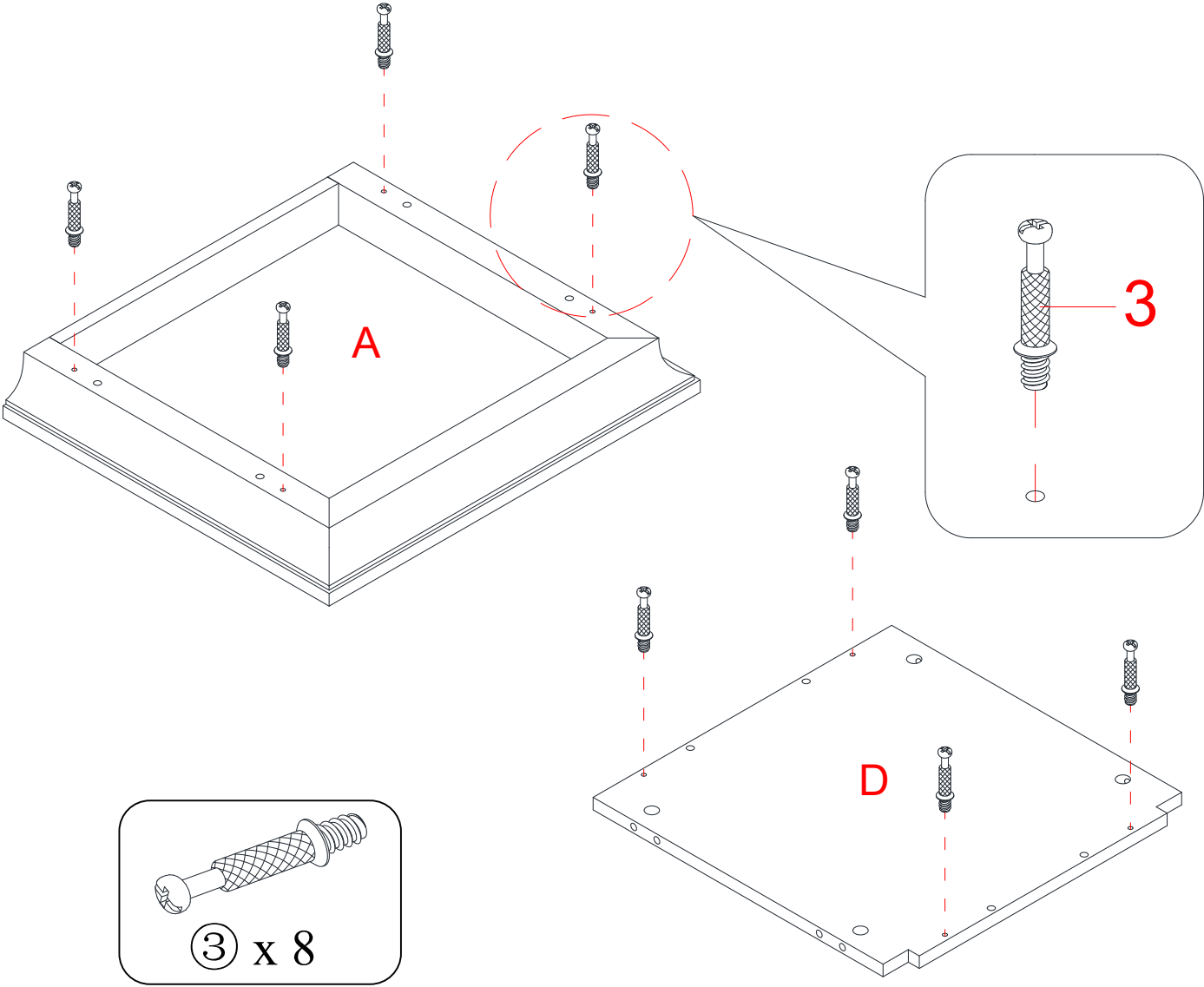
8. Install one Knob (8) to the front of the Drawer Front Panel (J) with one 22 mm Bolt (9).

Assembly Instructions



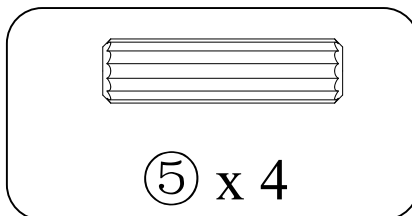
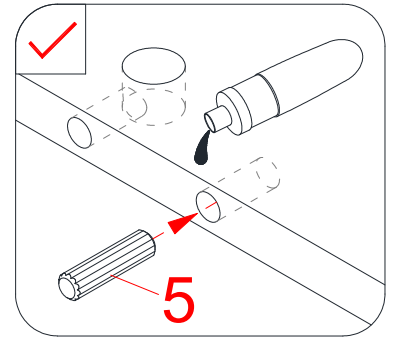
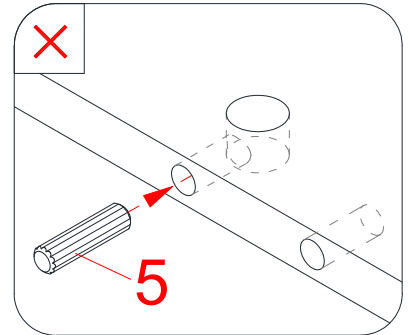
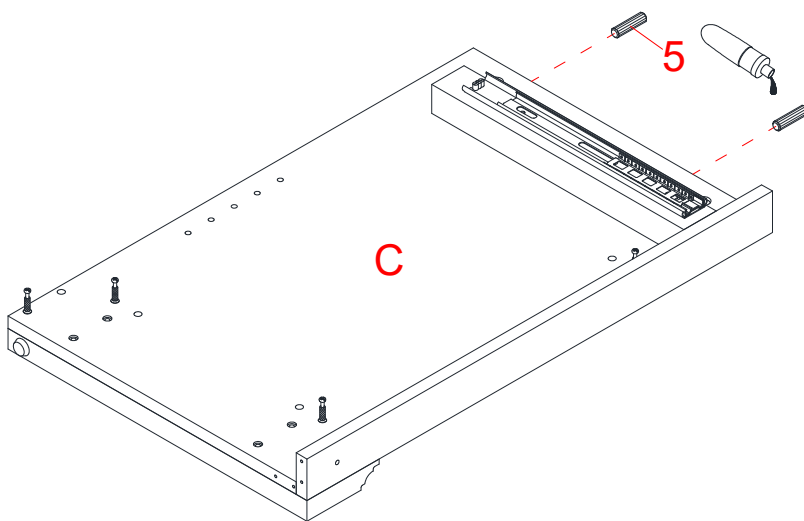
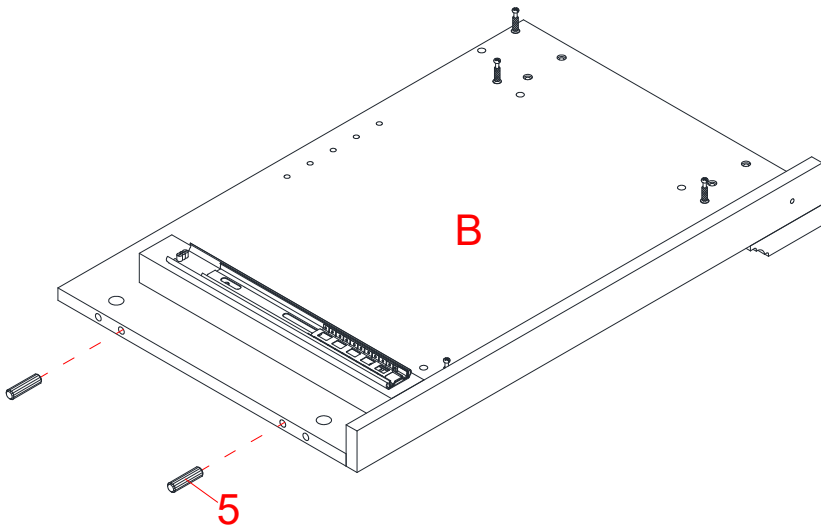
9. Securely screw the Cam Bolts (3) into the designated small holes on both Side Panels (B and C) using a Phillips screwdriver.

Assembly Instructions



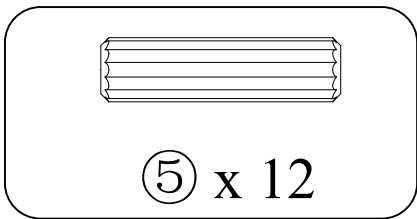
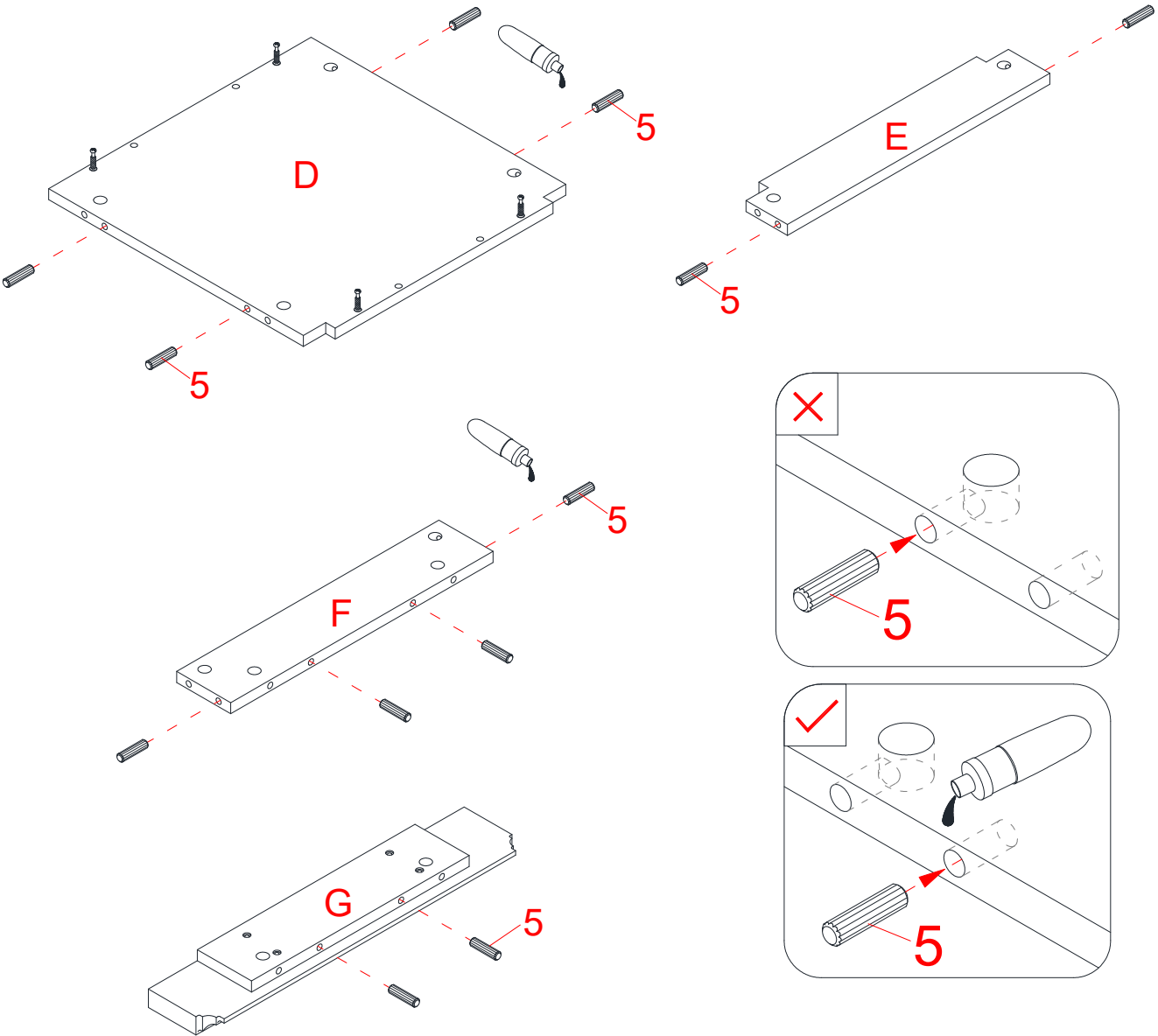
10. Securely screw the Cam Bolts (3) into the designated small holes on the Top Panel (A) and Bottom Panel (D).

Assembly Instructions



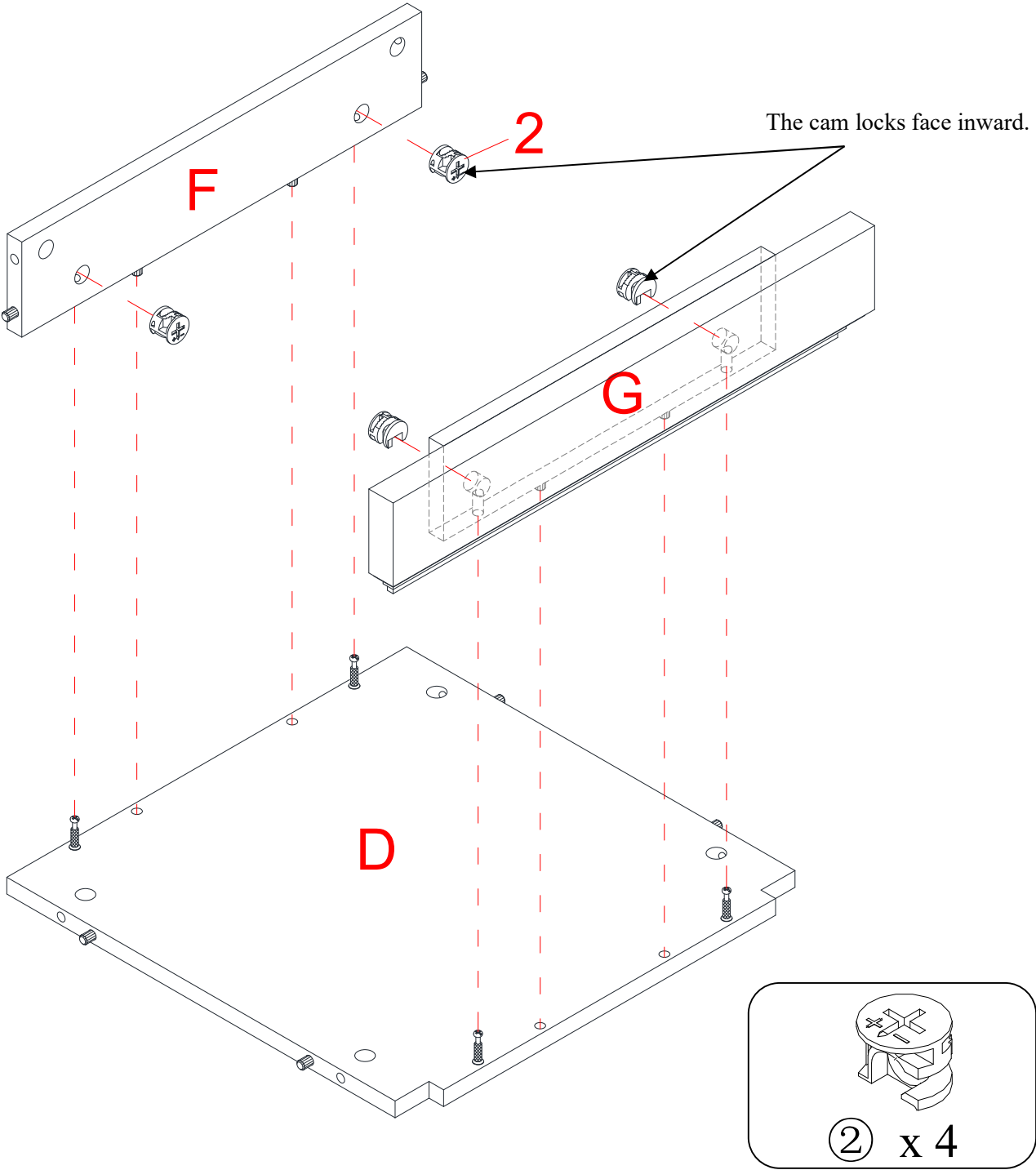
11. Glue the Large Wood Dowels (5) into the inner holes on both Side Panels (B and C) as shown.

Assembly Instructions



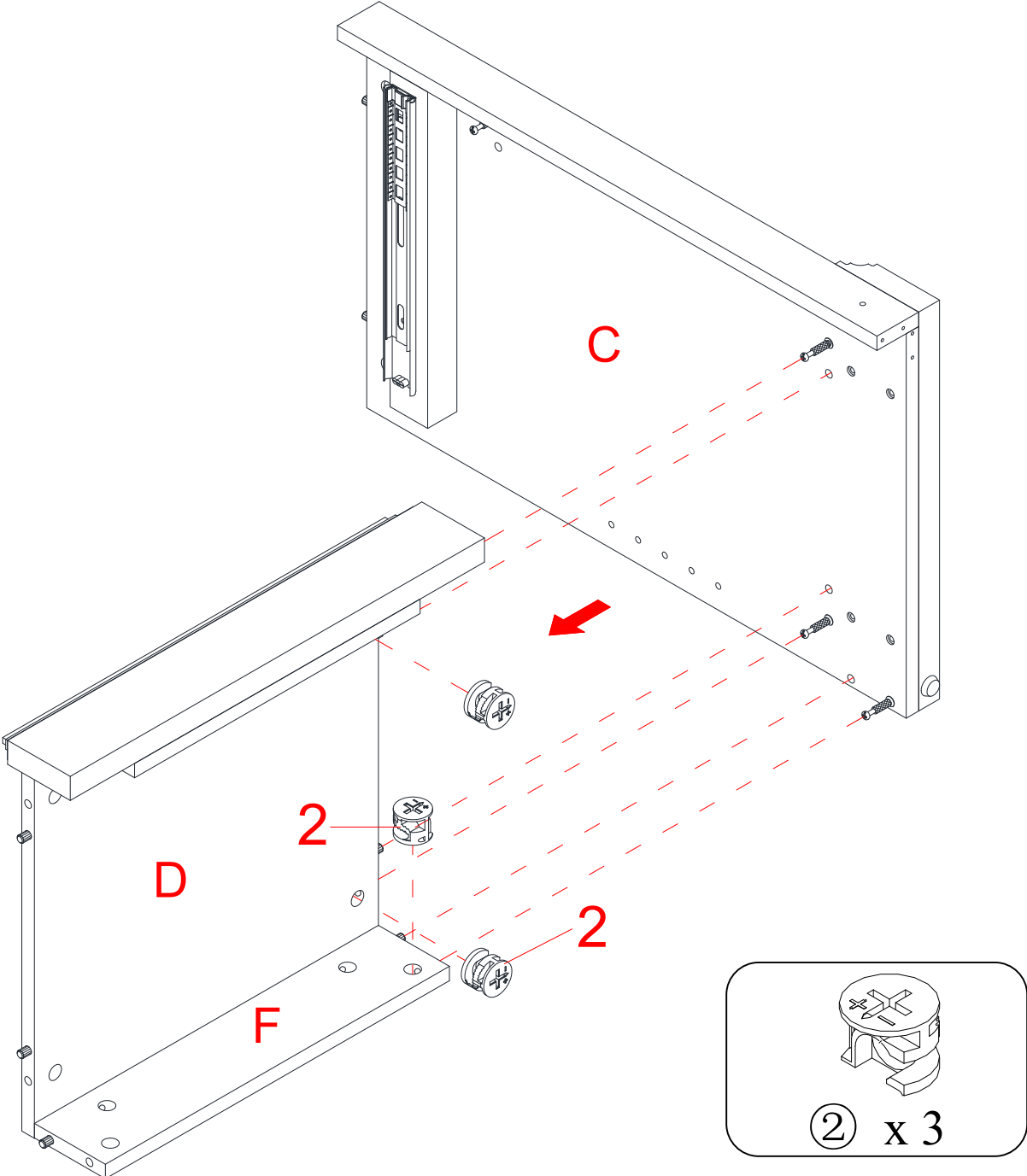
12. Glue the Large Wood Dowels (5) into the inner holes on the Bottom Panel (D), Front Crossbar (E) and Bottom Skirtings (F and G).

Assembly Instructions



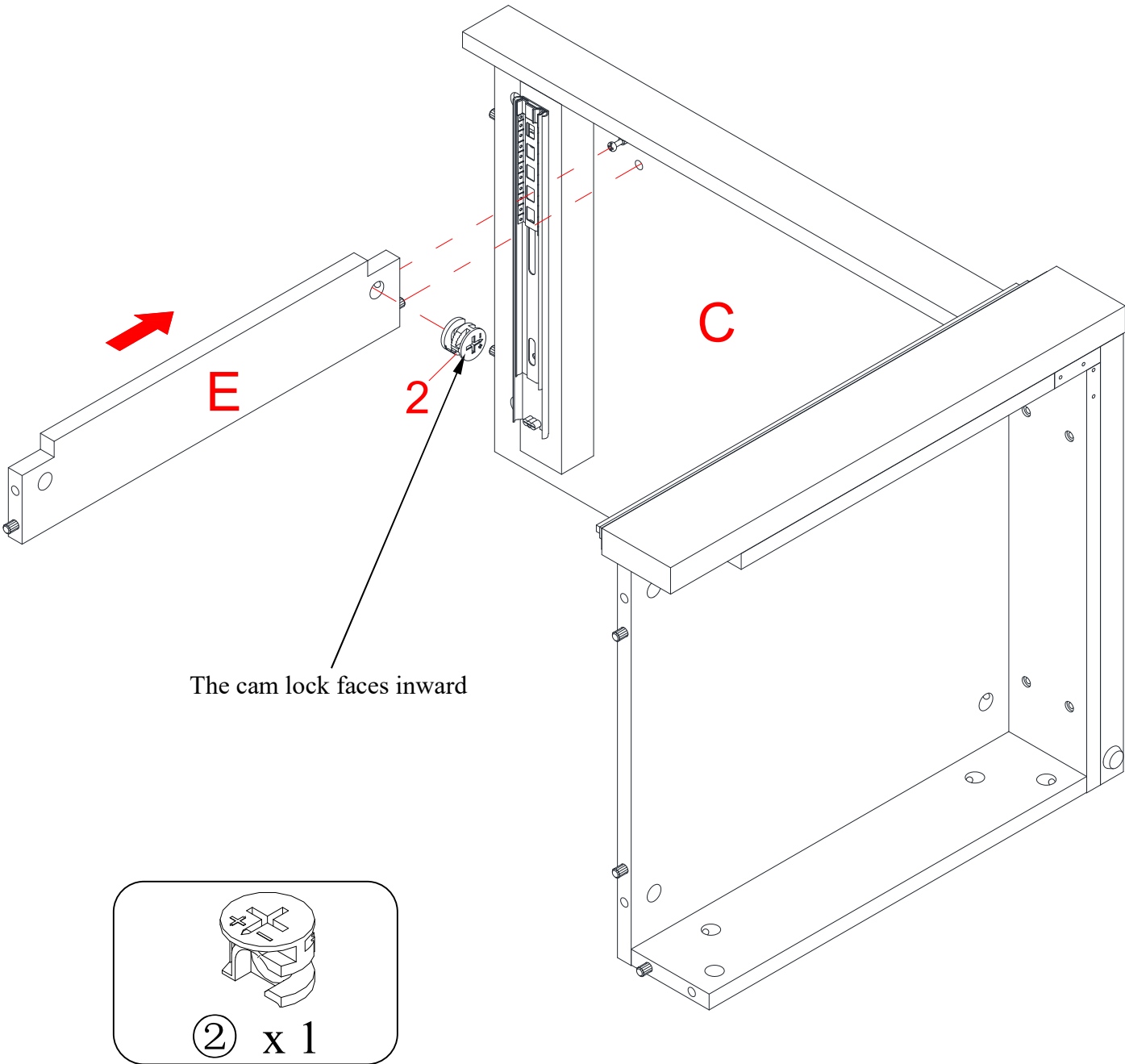
13. Using the wood dowels as a guide, attach the Bottom Skirtings (F and G) to the Bottom Panel (D) by engaging 4 Large Cam Locks (2).

Assembly Instructions



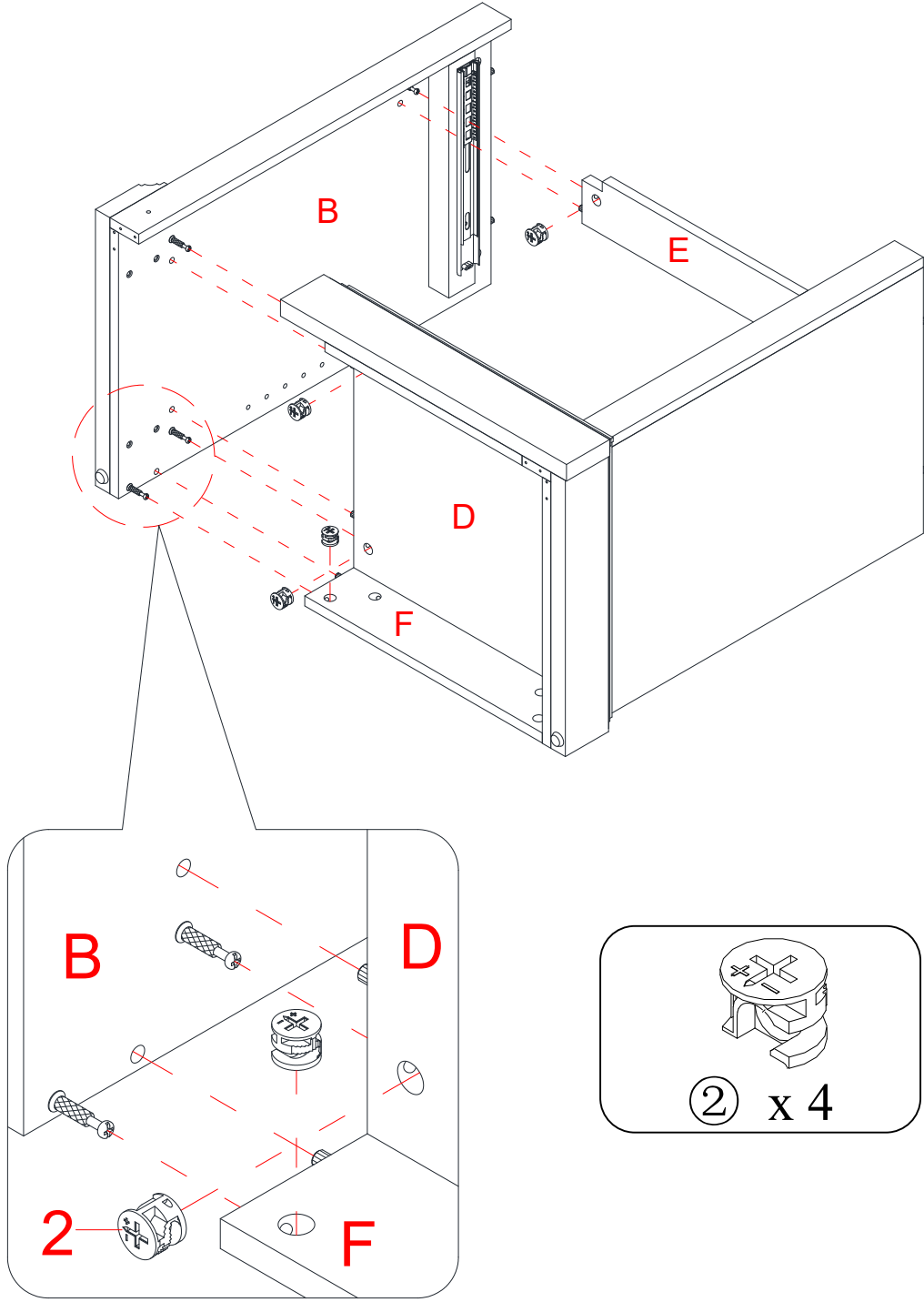
14. Align and attach the Right Side Panel (C) to the bottom panel assembly with 3 Large Cam Locks (2).

Assembly Instructions



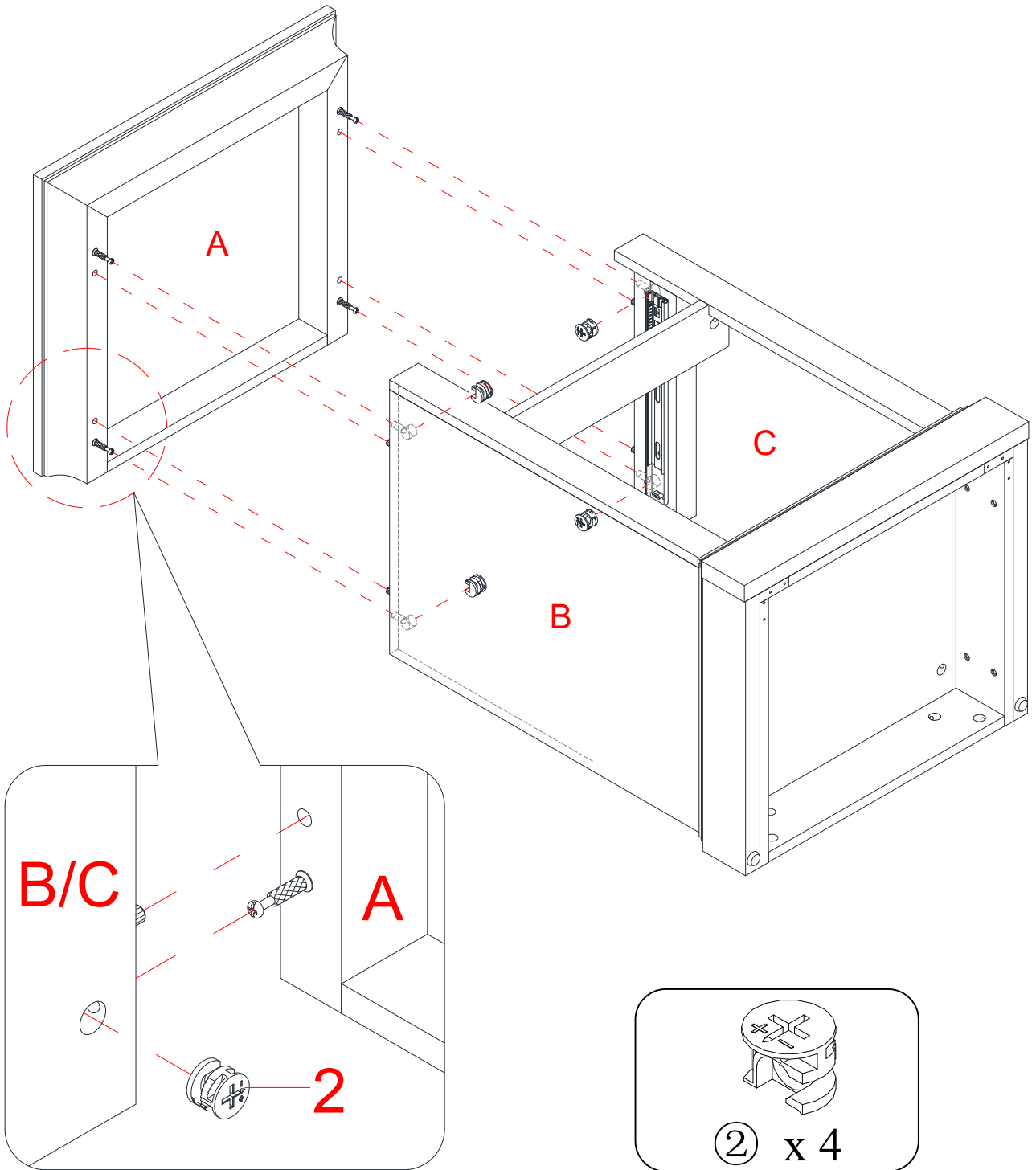
15. Orient and attach the Front Crossbar (E) to the Right Side Panel (C) with 1 Large Cam Lock (2).

Assembly Instructions



16. Repeat the same procedure to attach the Left Side Panel (B) to the previous assembly by engaging 4 Large Cam Locks (2).

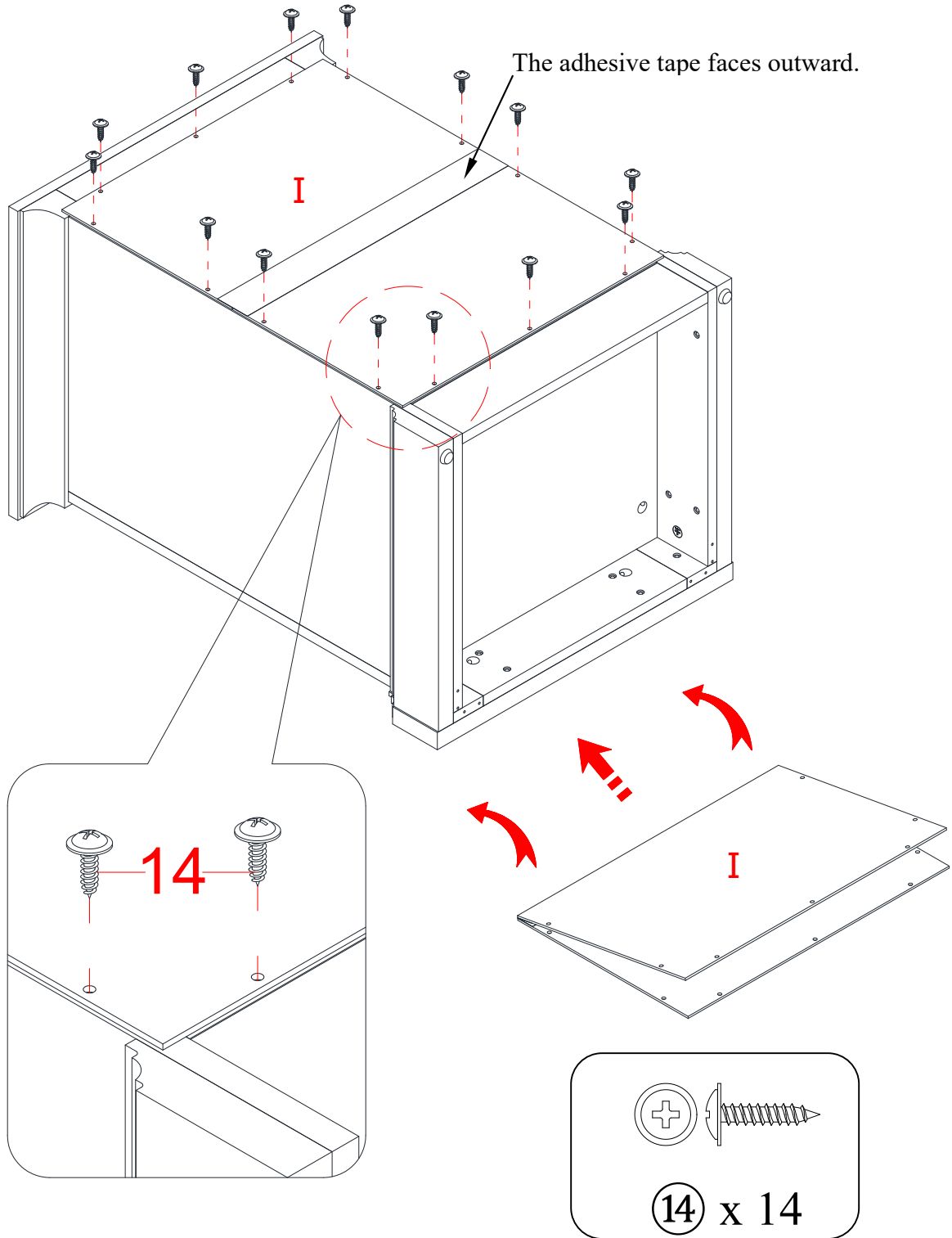
Assembly Instructions



17. Place the Top Panel (A) on both Side Panels (B and C) properly and fasten it into place with 4 Large Cam Locks (2).
18. Now, go back and securely tighten all the cam locks and screws. Make sure that all the parts are tight and there are no gaps between the parts. This will help keep the unit square.

Assembly Instructions

热

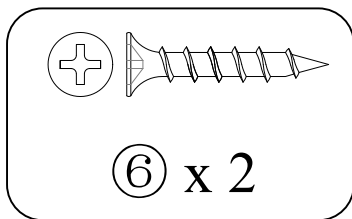
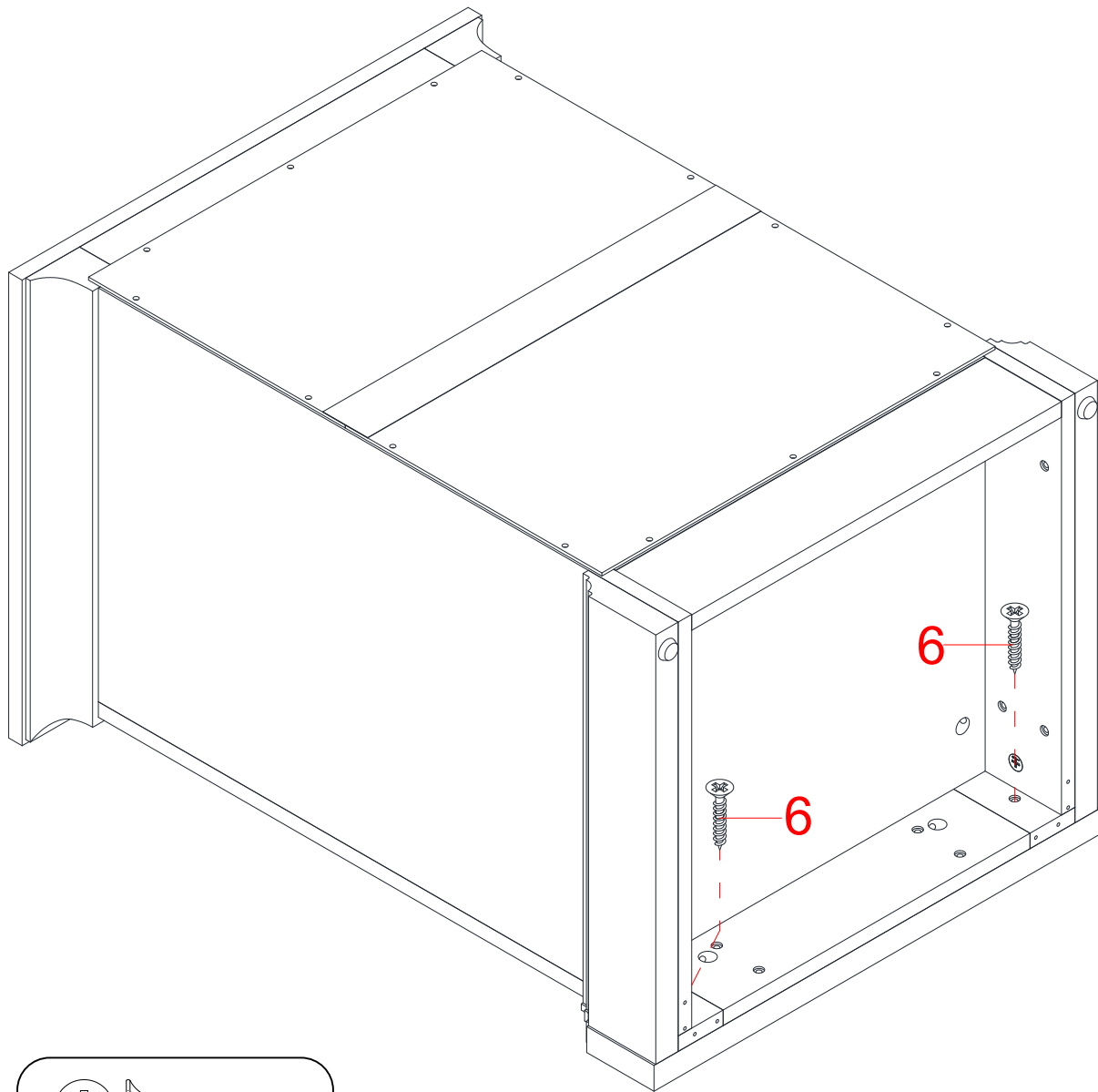


19. Turn the assembled unit on its front edges.

20. Unfold the Back Panel (I) and align the pre-drilled holes against the edge with the pilot holes on the back rail of Top Panel (A). And attach it in place with the provided 15 mm Washer Head Screws (14).

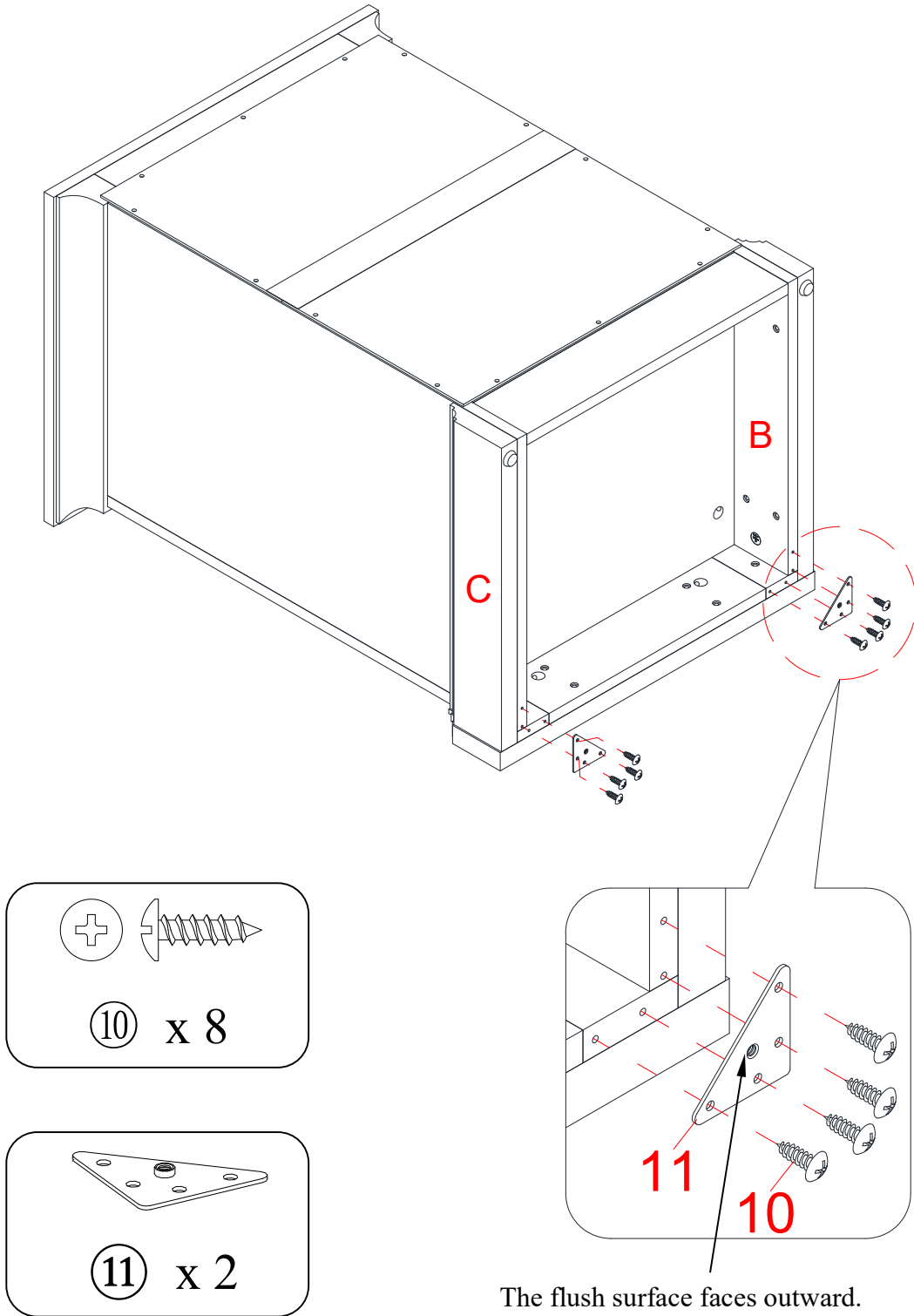
NOTE: We recommend attaching back panel with washer head screws at the corners first.

Assembly Instructions



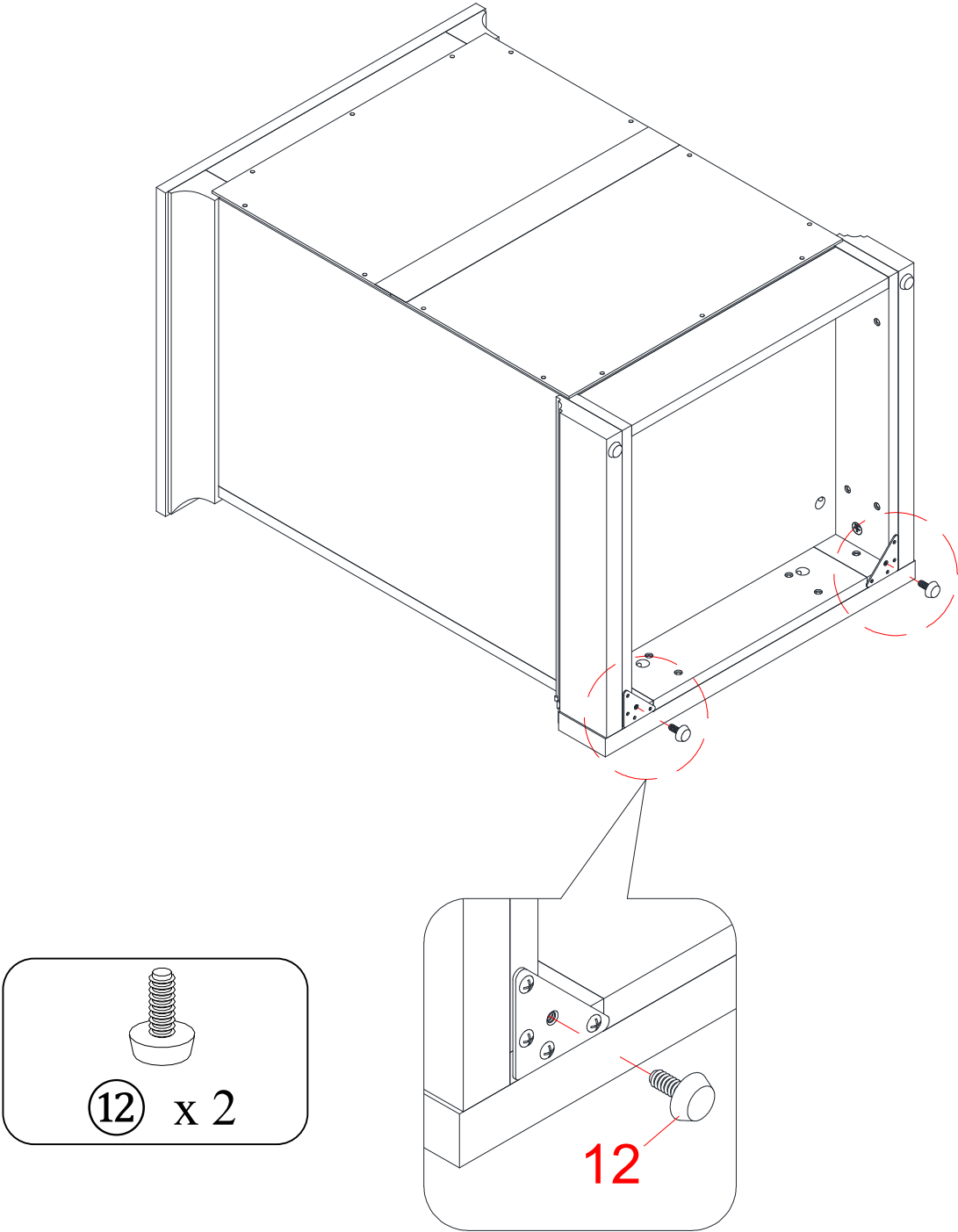
21. Insert two 25mm Screws (6) through the drilled holes on the Bottom Front Skirting (G) and screw into both Side Panels (B and C).

Assembly Instructions



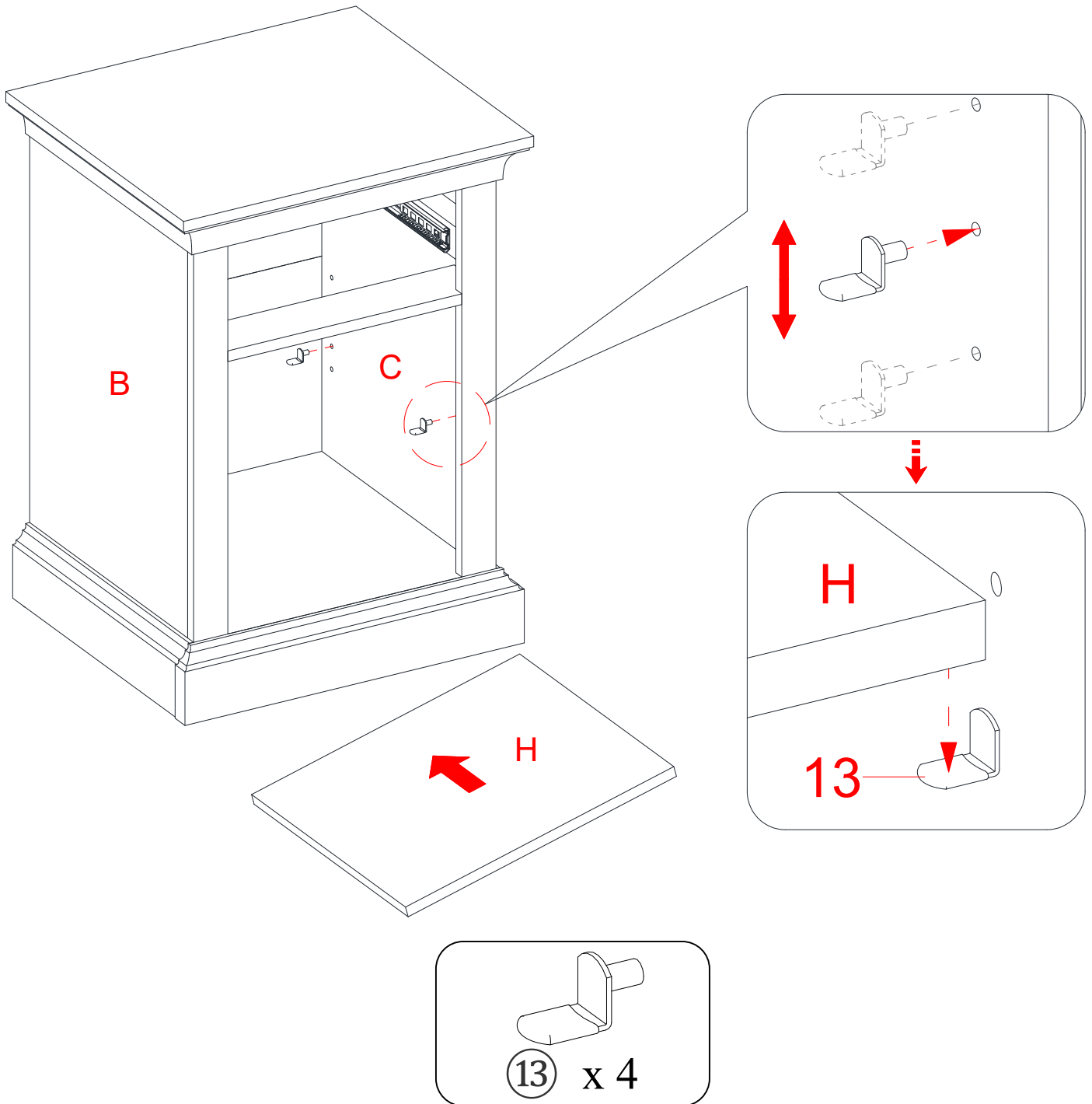
22. Using the pilot holes as a guide, fasten two Triangle Metal Plates (11) at the bottom joints between the Side Panels (B and C) and Bottom Front Skirting (G) using 4 Pan Head Screws (10) per plate.

Assembly Instructions



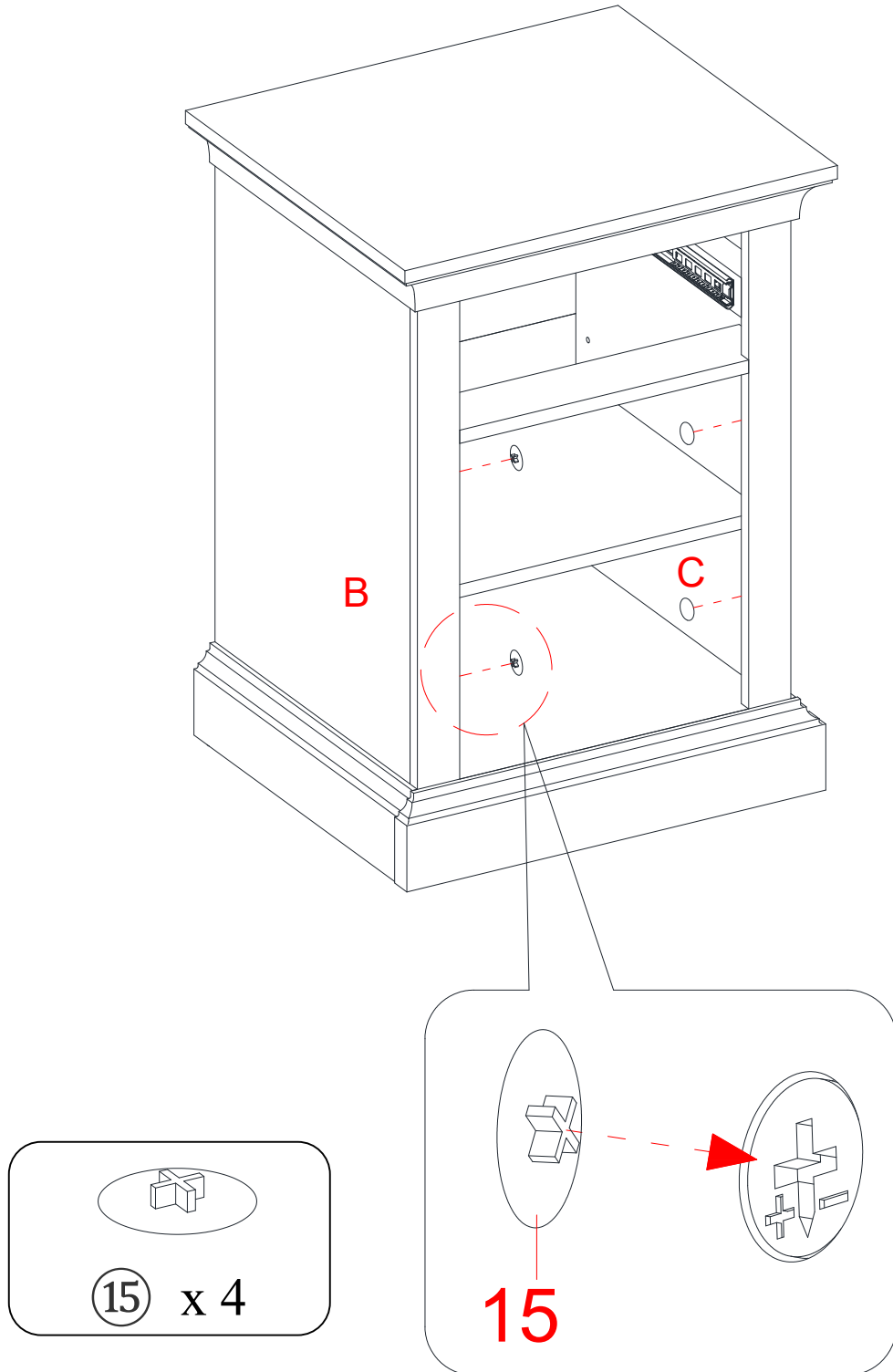
23. Screw two Floor Levelers (12) into the threaded sockets on the Triangle Metal Plates (11) and set to the correct height.

Assembly Instructions



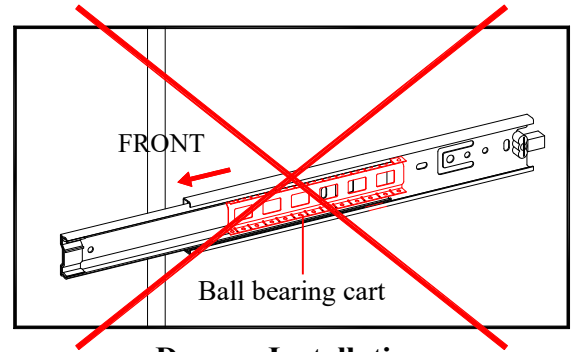
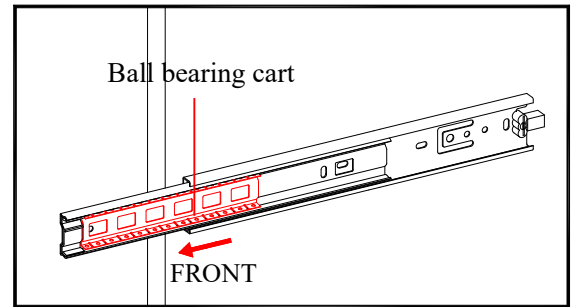
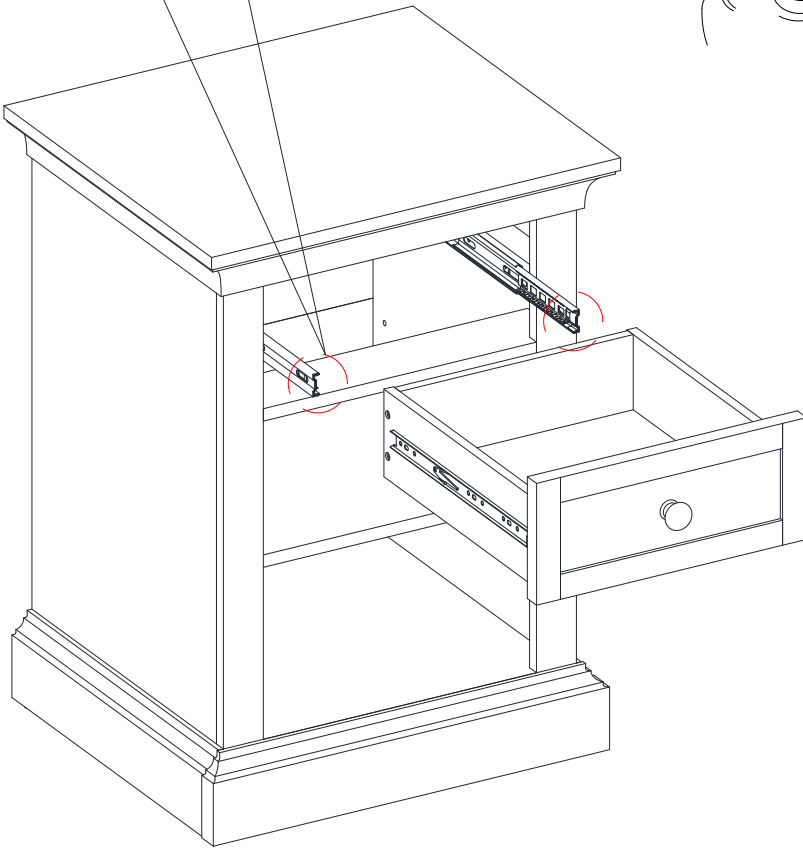
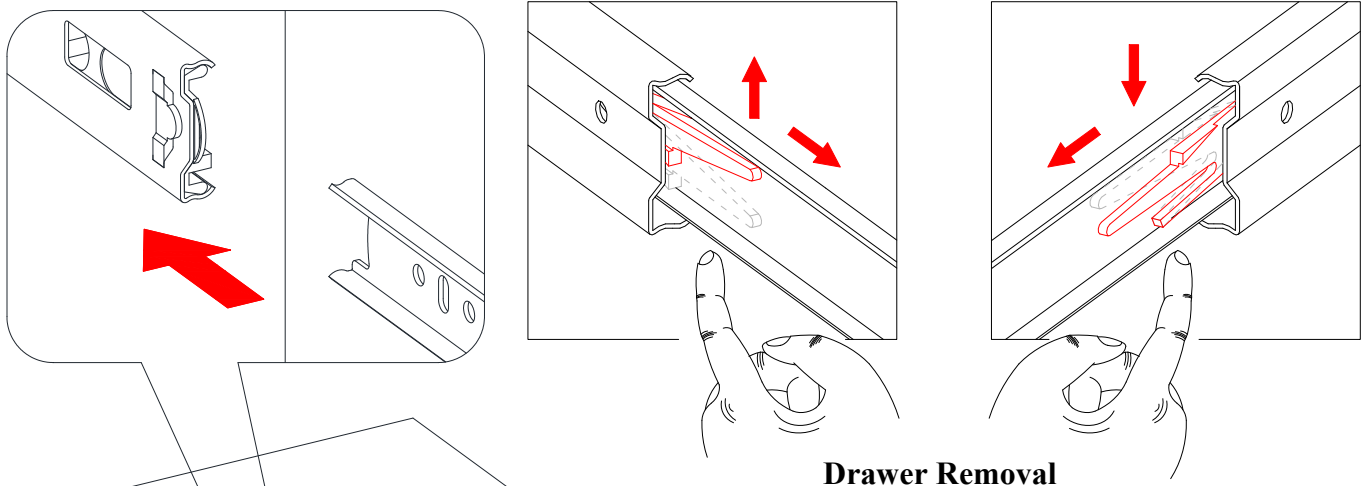
24. Lift the assembled unit upright and position it near the final location.
25. Insert four Shelf Supports (13) into the desired holes on the Side Panels (B and C). Make sure you place the four Shelf Supports at the same level so the shelf is not tilted.
26. Tilt and rest the Adjustable Shelf (H) onto the Shelf Supports (13).

Assembly Instructions



27. Plug the Cam Lock Covers (15) onto the visible cam locks to conceal the cams.

Assembly Instructions

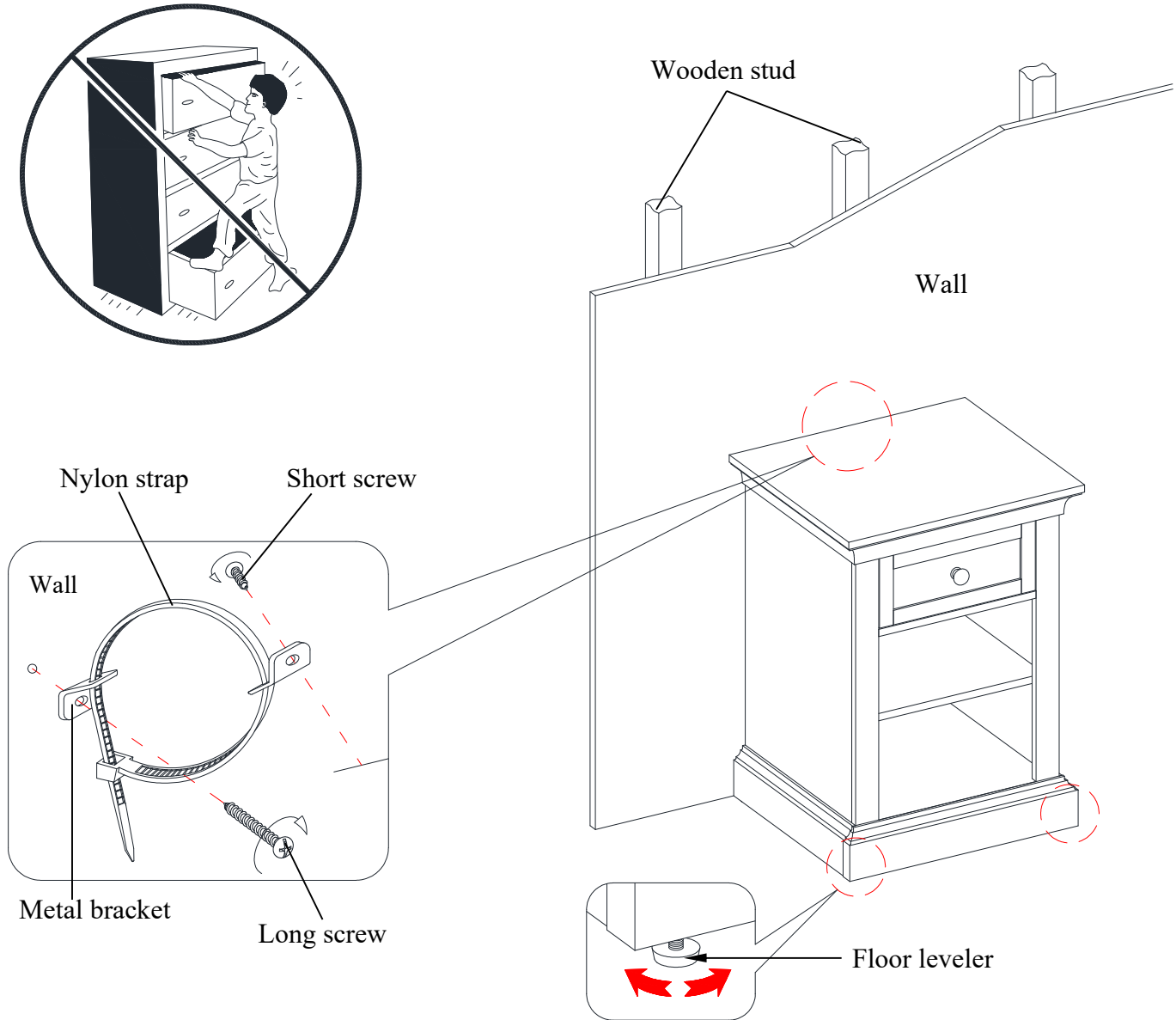


Drawer Installation

28. Insert the assembled drawer into the frame. Extend the Ball Bearing Slide Tracks on the unit all the way forward (including ball bearing cart). Then align the Slide Runners on the assembled drawer with the Slide Tracks and push the drawer carefully inside until it stops.

NOTE: If the drawer does not go in smoothly, please take it out and repeat the step. If you need to **remove** the drawer, please pull the drawer all the way out, then simultaneously pushes the plastic release lever of the ball bearing slides up on one side and down on the other side, and then pull it completely out.

Assembly Instructions



Tools required (not included): Phillips screwdriver, stud finder, tape measure, pencil, power drill and 1/8" drill bit.

29. Position the assembled unit at the desired location against a wall. If necessary, adjust the Floor Levelers (12) to correct the tilting.
30. Now, follow the instructions printed on the plastic bag containing the Tipping Restraint Hardware to attach the tip-over restraints to the unit and the wall.

NOTE: The tipping restraint hardware included is for wooden stud wall construction. It must be attached to a wall stud. Depending upon your wall construction, different anchor hardware maybe required. Please contact your local hardware store for assistance. Young children can be seriously injured by tipping furniture. You must install the tipping restraint hardware with the unit to prevent the unit from tipping, causing any accidents or damage. The tipping restraints are intended only as a deterrent, they are not a substitute for proper adult supervision. The tipping restraints are not earthquake restraints. If you wish to add the extra security of earthquake restraints, they must be purchased and installed separately.


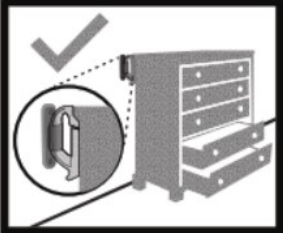


FURNITURE TIPPING RESTRAINT

YOUNG CHILDREN MAY BE INJURED BY TIPPING FURNITURE AND YOU MUST USE THIS TIPPING RESTRAINT TO ATTACH THIS UNIT TO THE WALL, TO PREVENT ACCIDENTS AND/OR INJURIES.

THIS HARDWARE, MUST BE PROPERLY INSTALLED (FOLLOW ALL DIRECTIONS IN ORDER ON THIS INSTRUCTIONS), TO PROVIDE PROTECTION AGAINST THE UNEXPECTED TIPPING OF FURNITURE DUE TO IMPROPER USE.

THIS PRODUCT IS ONLY A DETERRENT. IT IS NOT A SUBSTITUTE FOR PROPER ADULT SUPERVISION. USE OF TIP-OVER RESTRAINTS MAY ONLY REDUCE, BUT NOT ELIMINATE, THE RISK OF TIP-OVER.

⚠ WARNING



Children have died from furniture tip over. To reduce the risk of tip over:

- ALWAYS secure this furniture to the wall using an anti-tip device.
- NEVER allow children to stand, climb or hang on drawers, doors, or shelves.
- Do not defeat or remove the drawer interlock system.
- Place heaviest items in the lowest drawers.
- NEVER put a TV on this furniture.

Care and Maintenance

- Use a soft, clean cloth that will not scratch the surface when dusting.
- Use of furniture polish is not necessary. Should you choose to use polish, test first in an inconspicuous area.
- Using solvents of any kind on your furniture may damage your furniture's finish.
- Never use water to clean your furniture as it may cause damage to the finish.
- Always use coasters under beverage glasses and flowerpots.
- Liquid spills should be removed immediately. Using a soft, clean cloth, blot the spill gently. Avoid rubbing.
- Always use protective pads under hot dishes and plates. Heat can cause chemical changes that may create spotting within the furniture finish.
- In the event that your furniture is stained or otherwise damaged during use, we recommend that you call a professional to repair your furniture.
- Check bolts/screws periodically and tighten them if necessary.

Further Advice about Wood Furniture Care

It is best to keep your furniture in a climate-controlled environment. Extreme temperature and humidity changes can cause fading, warping, shrinking and splitting of wood. It is advised to keep furniture away from direct sunlight as sun may damage the finish.

Proper care and cleaning at home will extend the life of your purchase. Following these important and helpful tips will enhance your furniture as it ages.

A touch-up pen has been provided to minimize the small nicks or scratches that may occur during assembly or shipping.

We hope you enjoy your purchase for many years.
Thank you for your purchase!

QUALITY GUARANTEE

We are confident that you will be delighted with your Whalen Furniture purchase.

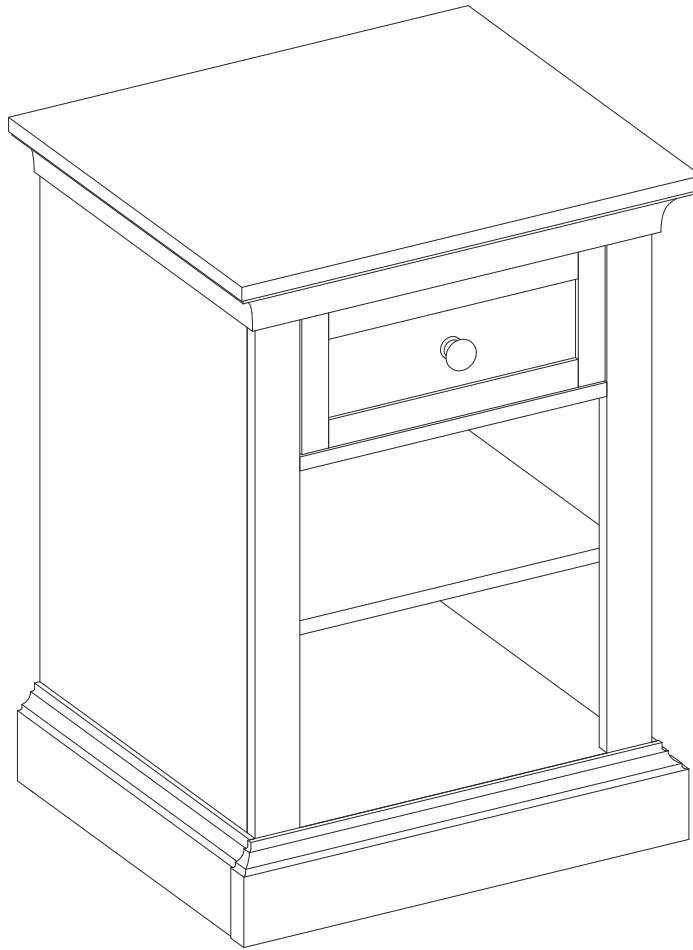
Should this product be defective in workmanship or materials or fail under normal use, we will repair or replace it for up to one (1) year from date of purchase. Every Whalen Furniture product is designed to meet your highest expectations. We guarantee that you will immediately see the value of our fine furniture.

This warranty gives you specific legal rights and you may also have other rights which vary from State to State.

Whalen Furniture Manufacturing
1578 Air Wing Road, San Diego, CA 92154, USA
Customer Service: 866-942-5362
8:30 a.m. - 4:30 p.m., PST, Monday to Friday
www.whalenstyle.com

Mesa de noche Canton

Modelo # BHS336158813013



ENSAMBLE REQUERIDO POR ADULTO

Si tienen alguna pregunta acerca del ensamble o si alguna parte está faltante, no retorne este producto a la tienda donde lo compró. Por favor llame a nuestro departamento de ayuda al cliente teniendo su instructivo y lista de partes para proveer el modelo, nombre de parte o el número de fábrica:

866-942-5362

Hora Estándar del Pacífico: 8:30 a.m. - 4:30 p.m., de Lunes a Viernes
O visite nuestra página de Internet 24 horas al día, 7 días a la semana para asistencia

www.whalenstyle.com

O mande un correo electrónico a **parts@whalenfurniture.com**

**ESTE INSTRUCTIVO CONTIENE INFORMACION IMPORTANTE DE SEGURIDAD.
POR FAVOR LEA Y MANTENGA PARA USO FUTURO.**

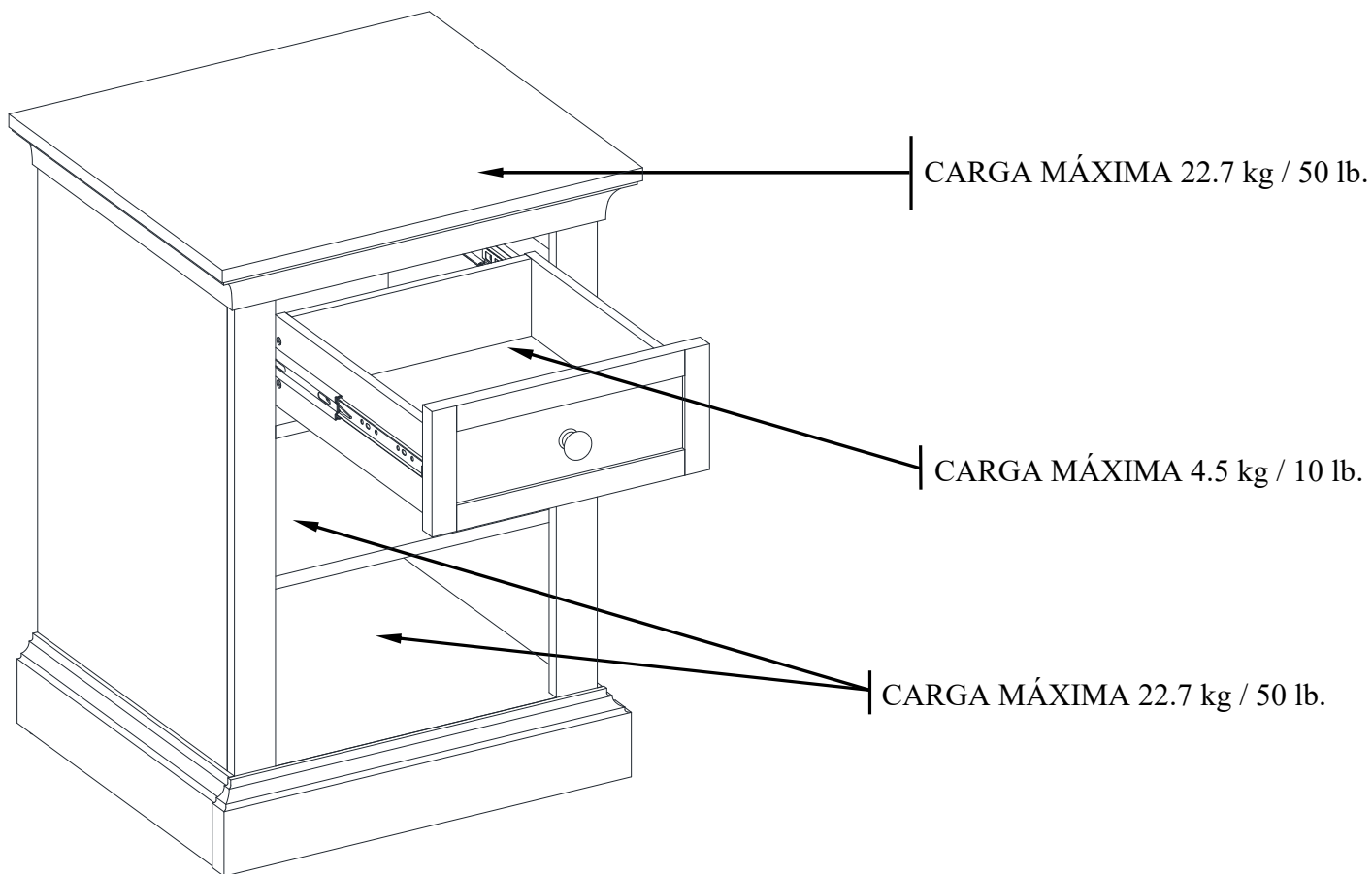
Fecha 2023-01-06 Rev. 0001-A

MÁXIMO PESO RECOMENDADO

FABRICANTE: Whalen Furniture Manufacturing

CATALOGO : Mesa de noche Canton

MODELO # BHS336158813013



⚠ ADVERTENCIA

ESTA UNIDAD DEBE UTILIZARSE CON LOS PESOS MÁXIMOS INDICADOS. SI SE EXCEDE EL PESO MÁXIMO, PODRÍA RESULTAR EN UNA INESTABILIDAD DE LA UNIDAD CAUSANDO POSIBLES LESIONES.

NOTA ESPECIAL

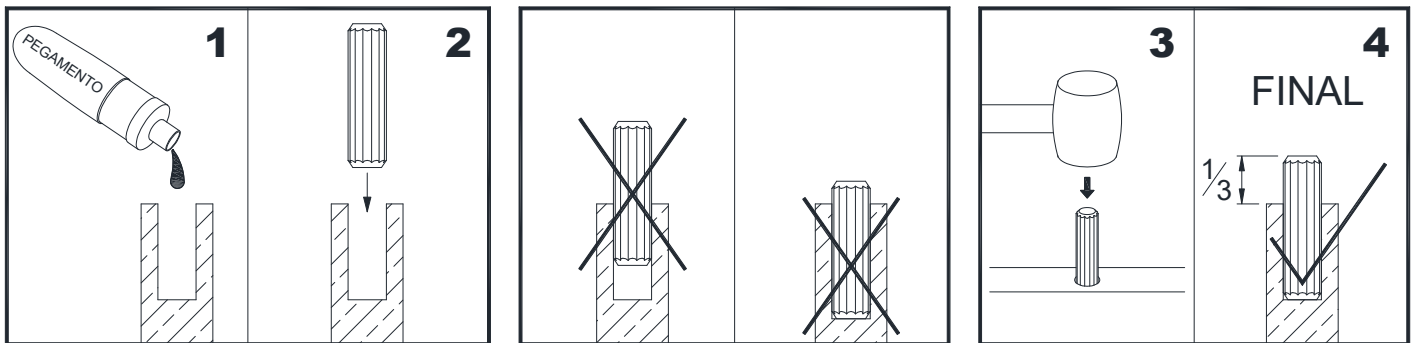
Por favor lea todo el instructivo antes de ensamblar. Examinar todo el material de empaque antes de tirar el cartón. Retirar cualquier grapa del cartón antes de tirar. Retirar todas las partes del cartón y separar en grupos como es indicado en la lista de partes. Por favor de asegurar que todas las partes están presentes antes del ensamble. El uso de herramientas eléctricas para completar el ensamble no es recomendado.

IMPORTANTE

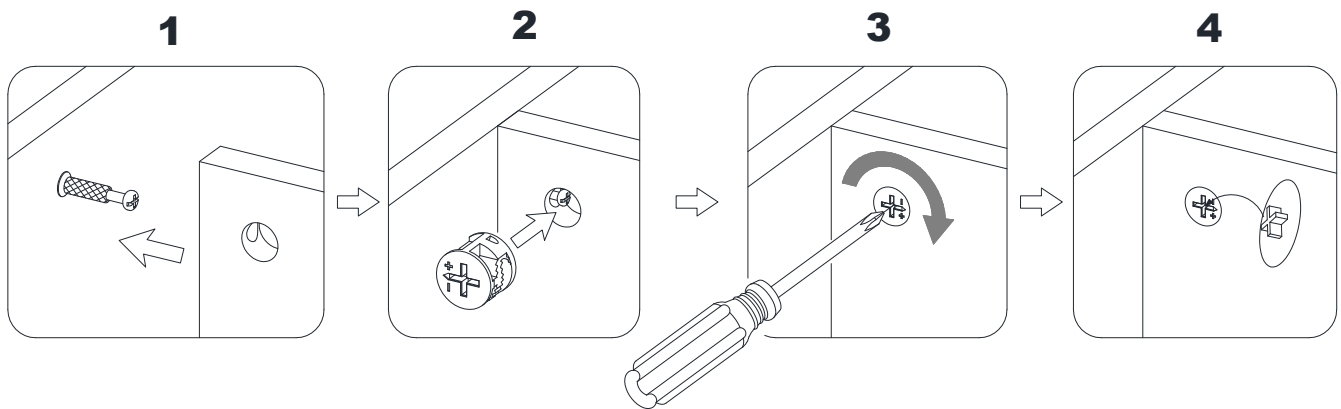
Antes de comenzar: Abra, identifique y cuente todas las partes antes del ensamble. Coloque las piezas sobre una superficie plana y no abrasiva. Tendrá las partes identificadas en las páginas 4 y 5 de este manual de instrucciones.

NOTA: ES MUY IMPORTANTE EL USO DE GOMA CON LAS CLAVIJAS DE MADERA. EL EXCESO DE PEGAMENTO SE PUEDE LIMPIAR CON UN PAÑO HÚMEDO.

Inserte la clavija por lo menos a la mitad del camino golpeando ligeramente con un mazo de goma, SI ES NECESARIO.



SISTEMA DE OPERACIÓN DE TUERCA DE FIJACIÓN



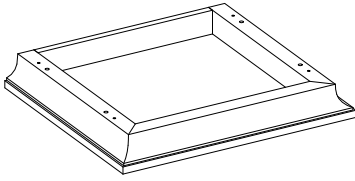
CÓMO FUNCIONA LA INSTALACIÓN DE MONTAJE (KD)

1. Fijar los pernos de fijación en los orificios pequeños. Conectar ambos paneles, cerciorandose que los pernos de fijación entren bien y que estos queden en los orificios al final del panel con tuercas de fijación.
2. Inserte las tuercas de fijación en los orificios grandes del panel. Hacer que la flecha en la tuerca este apuntando hacia la entrada del perno de fijación.
3. Una vez que el perno este conectado dentro, tome un destornillador de cruz y apriete la tuerca en dirección de las manecillas del reloj.
4. Coloque la tapa de la tuerca de fijación sobre la misma en la ranura de cruz, ver detalle.

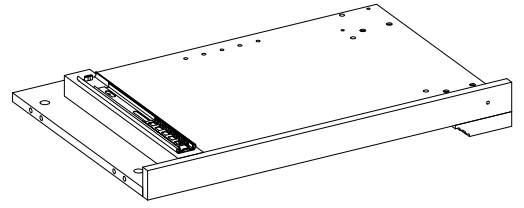
Está listo para el ensamble KD de esta unidad.

Lista de partes y material de ferretería

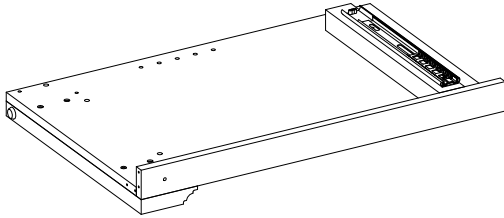
Por favor lea completamente las instrucciones y verifique que estén todas las partes y partes de ferretería antes de iniciar el ensamblado.



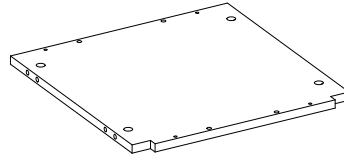
A-Panel superior
(Cant. 1)



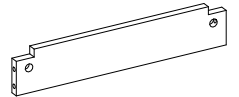
B- Panel izquierdo
(Cant. 1)



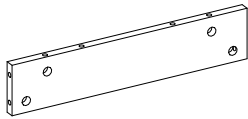
C- Panel derecho
(Cant. 1)



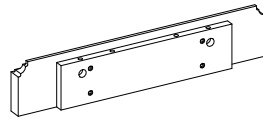
D- Panel inferior
(Cant. 1)



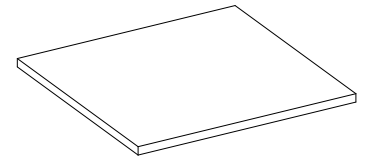
E- Soporte frontal
(Cant. 1)



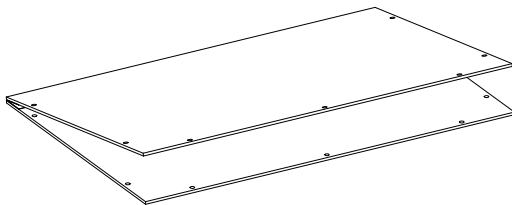
F- Soporte inferior posterior
(Cant. 1)



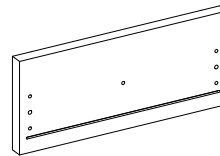
G- Soporte inferior frontal
(Cant. 1)



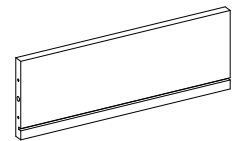
H- Repisa ajustable
(Cant. 1)



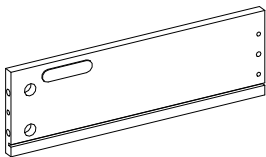
I- Panel posterior
(Cant. 1)



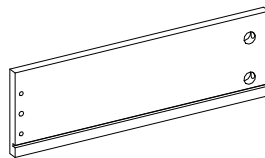
J- Panel frontal del cajón
(Cant. 1)



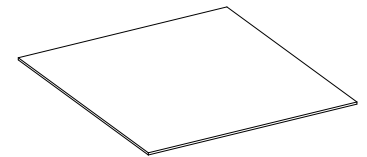
K- Panel posterior del cajón
(Cant. 1)



L- Panel izquierdo del cajón
(Cant. 1)



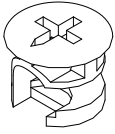
M- Panel derecho del cajón
(Cant. 1)



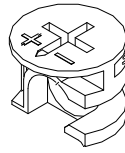
N- Panel inferior del cajón
(Cant. 1)

Lista de partes y material de ferretería

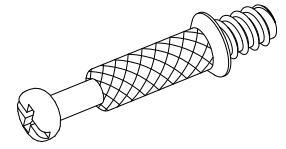
Por favor lea completamente las instrucciones y verifique que estén todas las partes y partes de ferretería antes de iniciar el ensamblado.



(1) Tuerca de fijación pequeña
(Cant. 4+1 extra)



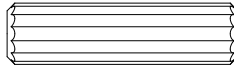
(2) Tuerca de fijación grande
(Cant. 16+1 extra)



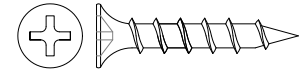
(3) Perno de fijación
(Cant. 20+1 extra)



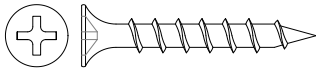
(4) Clavija de madera pequeña de M6 x 30 mm
(Cant. 4+1 extra)



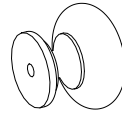
(5) Clavija de madera grande de M8 x 30 mm
(Cant. 16+1 extra)



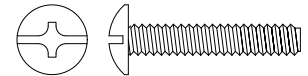
(6) Perno de M4 x 25 mm
(Cant. 2+1 extra)



(7) Perno de M3.5 x 30mm
(Cant. 4+1 extra)



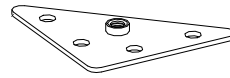
(8) Perilla
(Cant. 1)



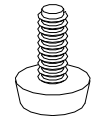
(9) Perno de 5/32 de pulgada x 22mm
(Cant. 1)



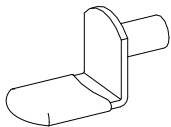
(10) Perno de cabeza redonda de M3.5 x 15mm
(Cant. 8+1 extra)



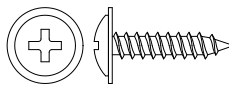
(11) Placa de metal triangular
(Cant. 2)



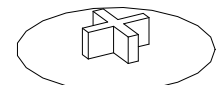
(12) Nivelador de piso
(Cant. 2)



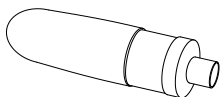
(13) Soporte para repisa
(Cant. 4+1 extra)



(14) Perno de cabeza de arandela de M3.5 x 15mm
(Cant. 14+1 extra)



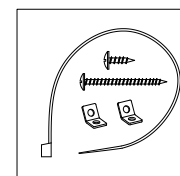
(15) Tapa de la tuerca de fijación
(Cant. 4+1 extra)



Pegamento
(Cant. 1)



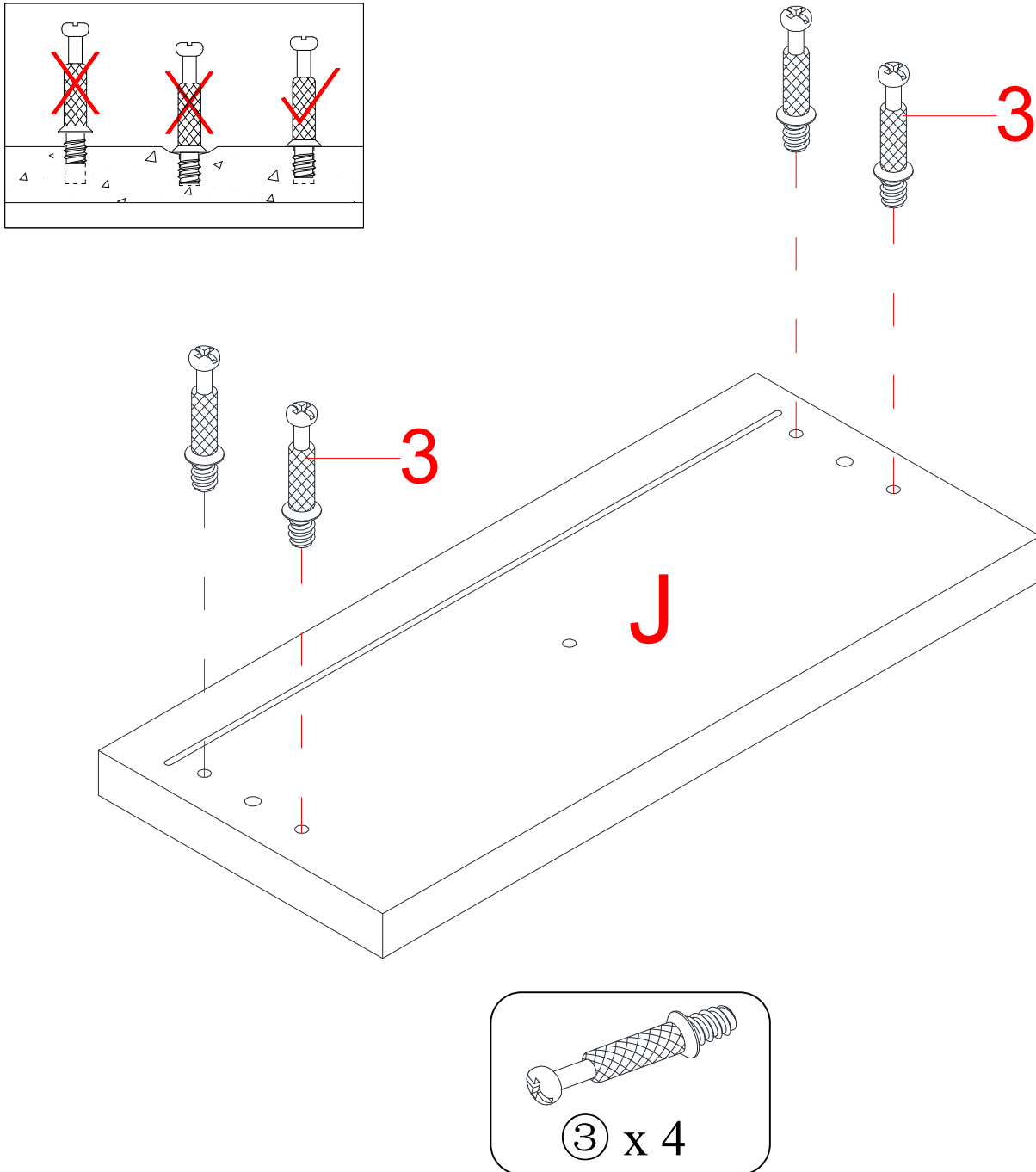
Plumón
(Cant. 1)



Juego de restricción de movimiento (Cant. 1)
(Incluido en bolsa de plástico)

Herramientas necesarias (no incluidas): Desarmador estrella, buscador de vigas, lápiz, cinta métrica, taladro y broca de 1/8 pulgadas.

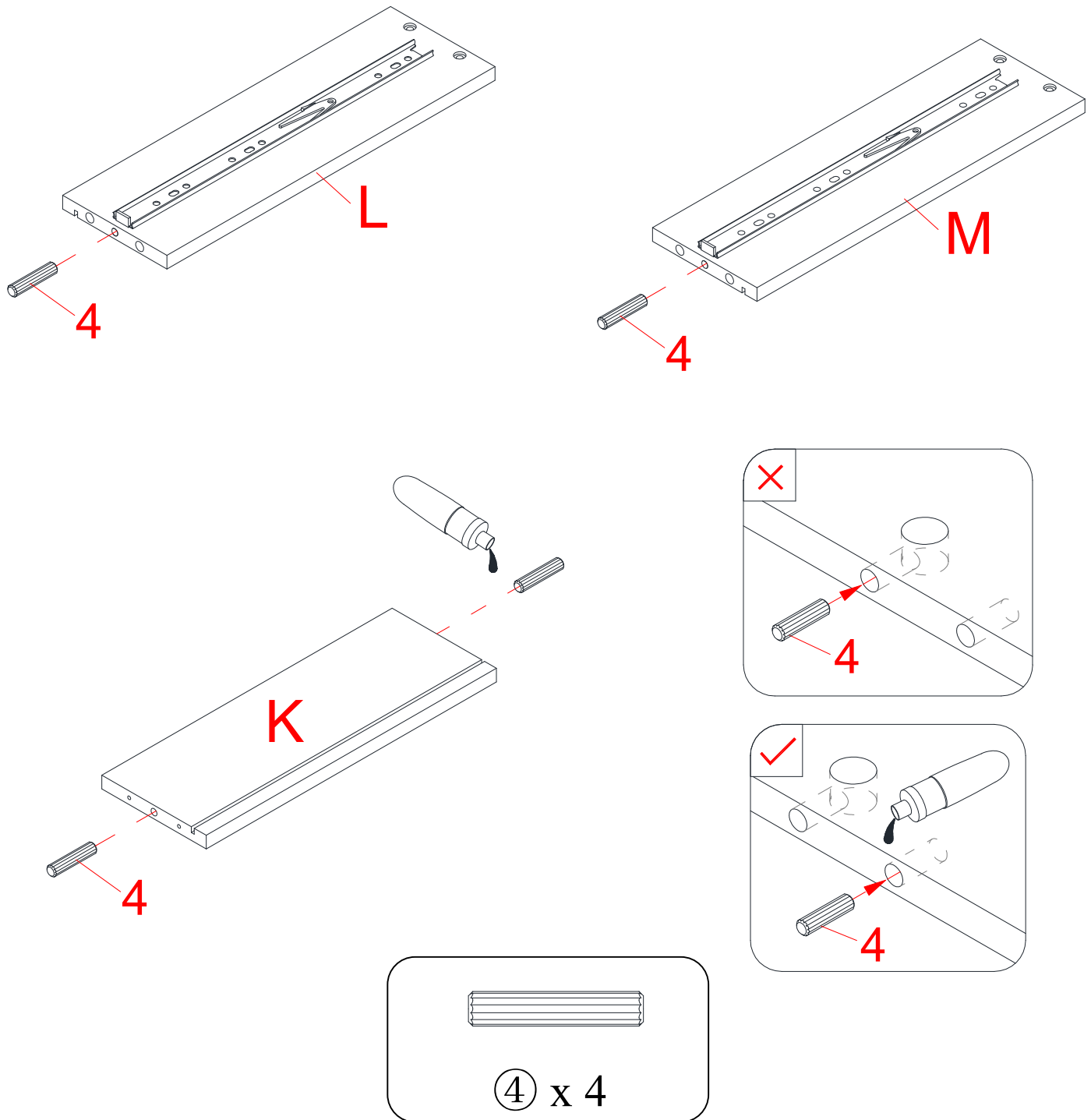
Instrucciones de ensamble



NOTA: Por favor no apriete completamente todos los pernos, hasta que termine con el ensamble de las partes. Después asegúrese de apretar todos los pernos. Esto hará el ensamble más fácil.

1. Desempacar la unidad y confirmar que se tiene todo el material de ferretería y partes requeridas. Ensamblar la unidad en un piso alfombrado o en el cartón vacío para evitar rasguños.
2. Atornillar 4 pernos de fijación (3) en los agujeros pequeños designados en el panel frontal del cajón (J) usando el desarmador estrella.

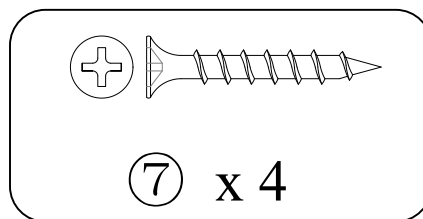
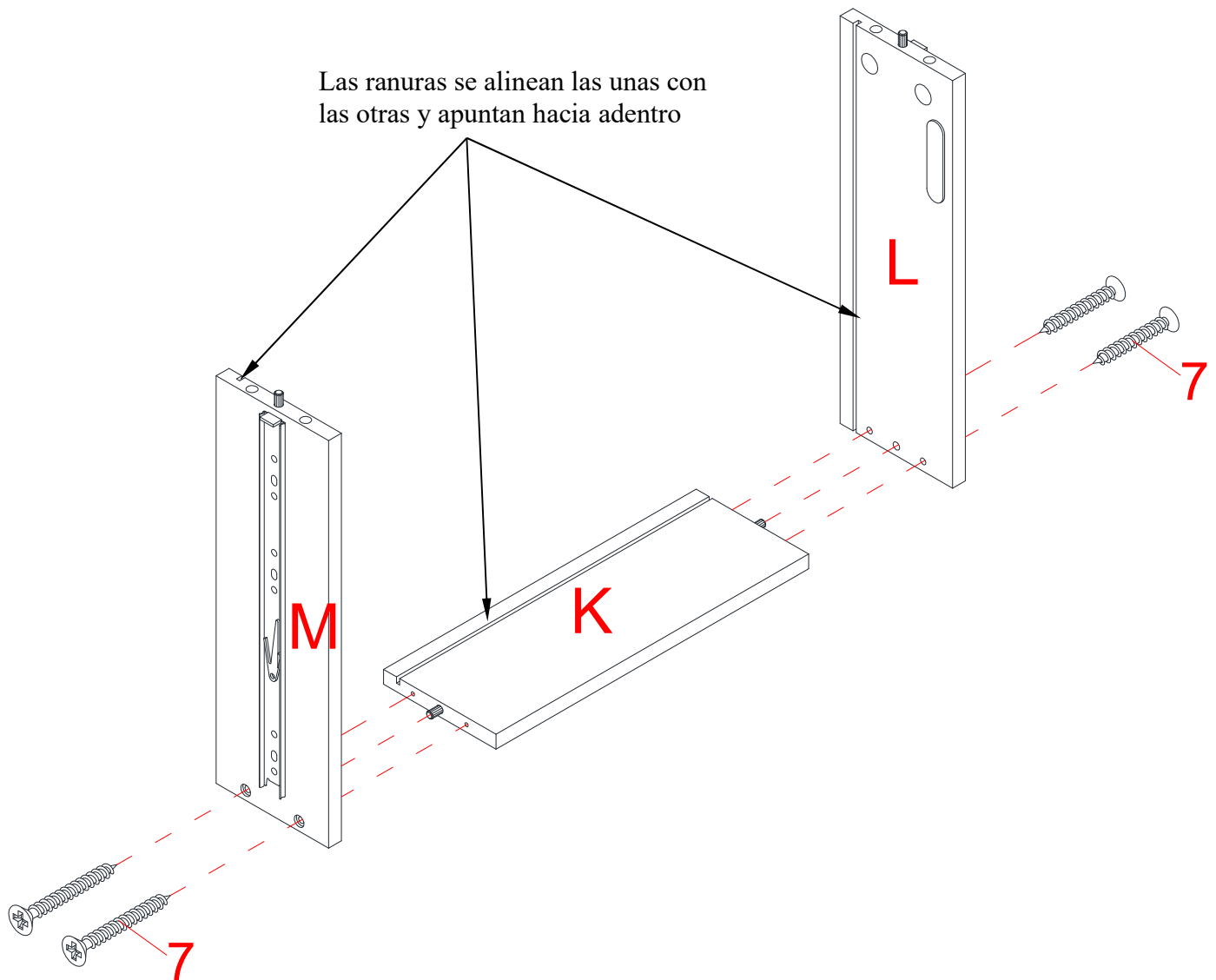
Instrucciones de ensamble



3. Pegar las clavijas de madera pequeñas (4) en los agujeros internos en el panel posterior del cajón (K) y en los paneles laterales del cajón (L y M).

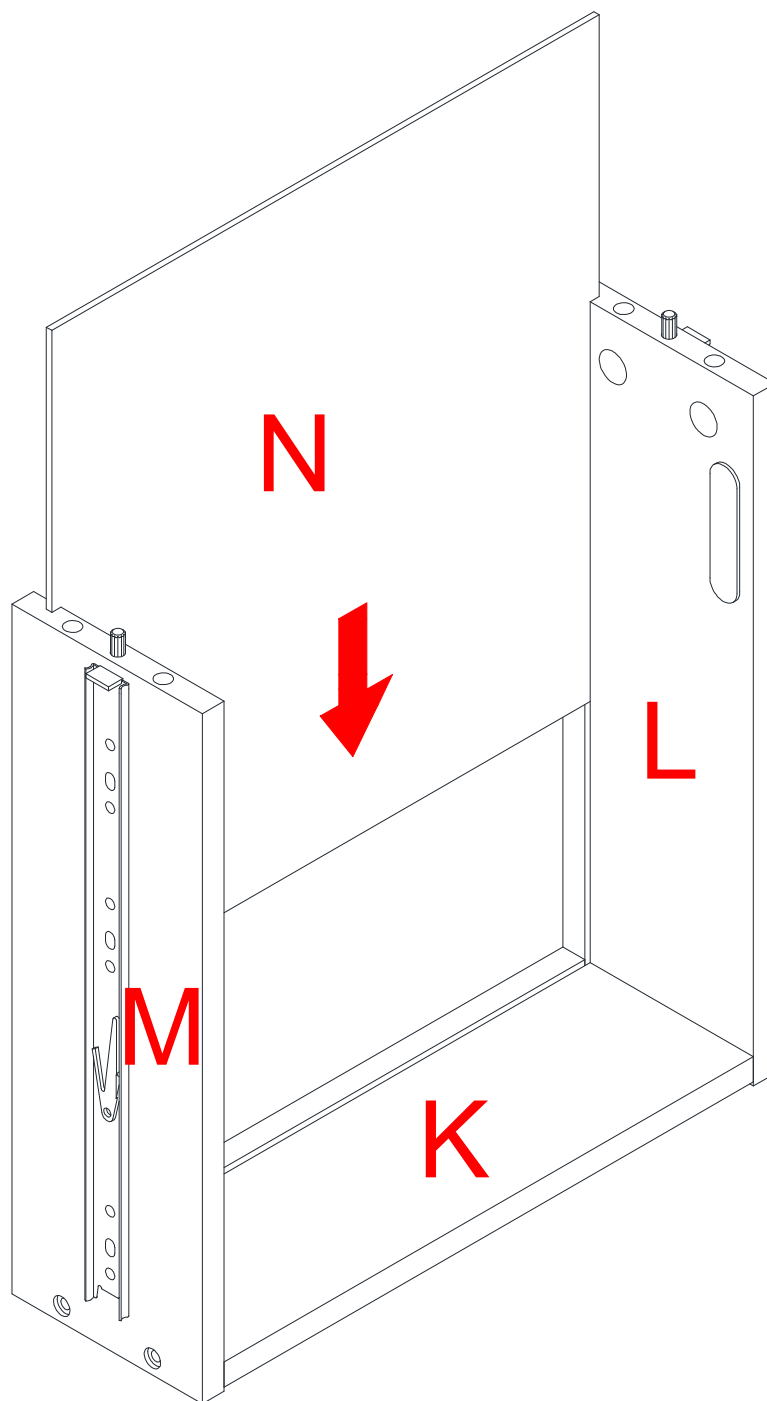
NOTA: Es importante usar una cantidad pequeña de pegamento en ambos lados de las clavijas y limpiar el exceso de pegamento inmediatamente con una toalla húmeda.

Instrucciones de ensamble



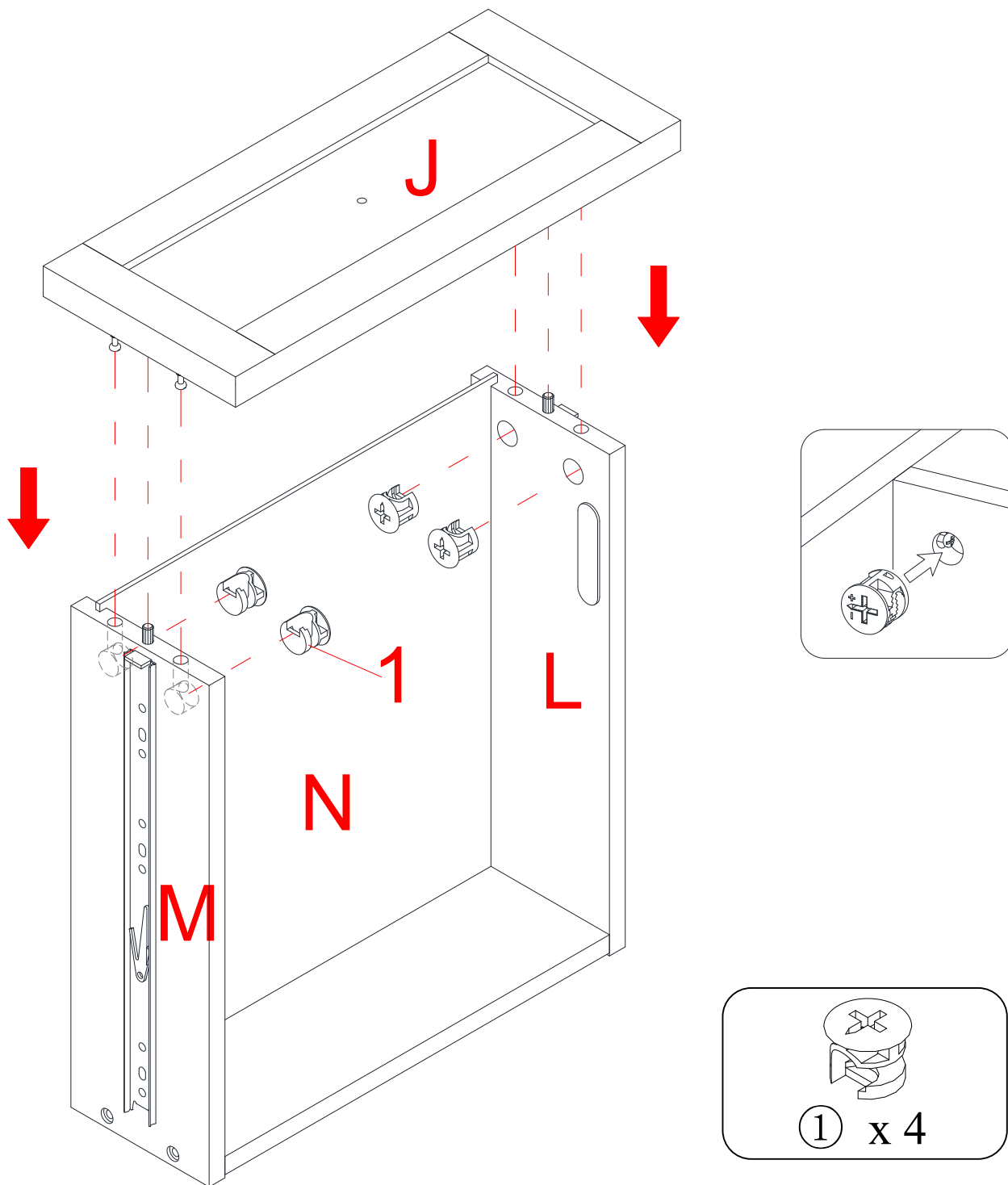
4. Adjuntar el panel posterior del cajón (K) entre los paneles laterales del cajón (L y M) con 4 pernos de 30 mm (7).

Instrucciones de ensamble



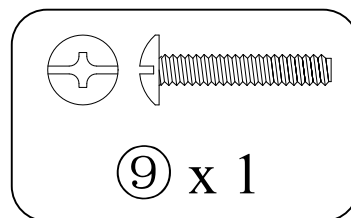
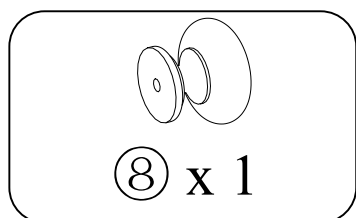
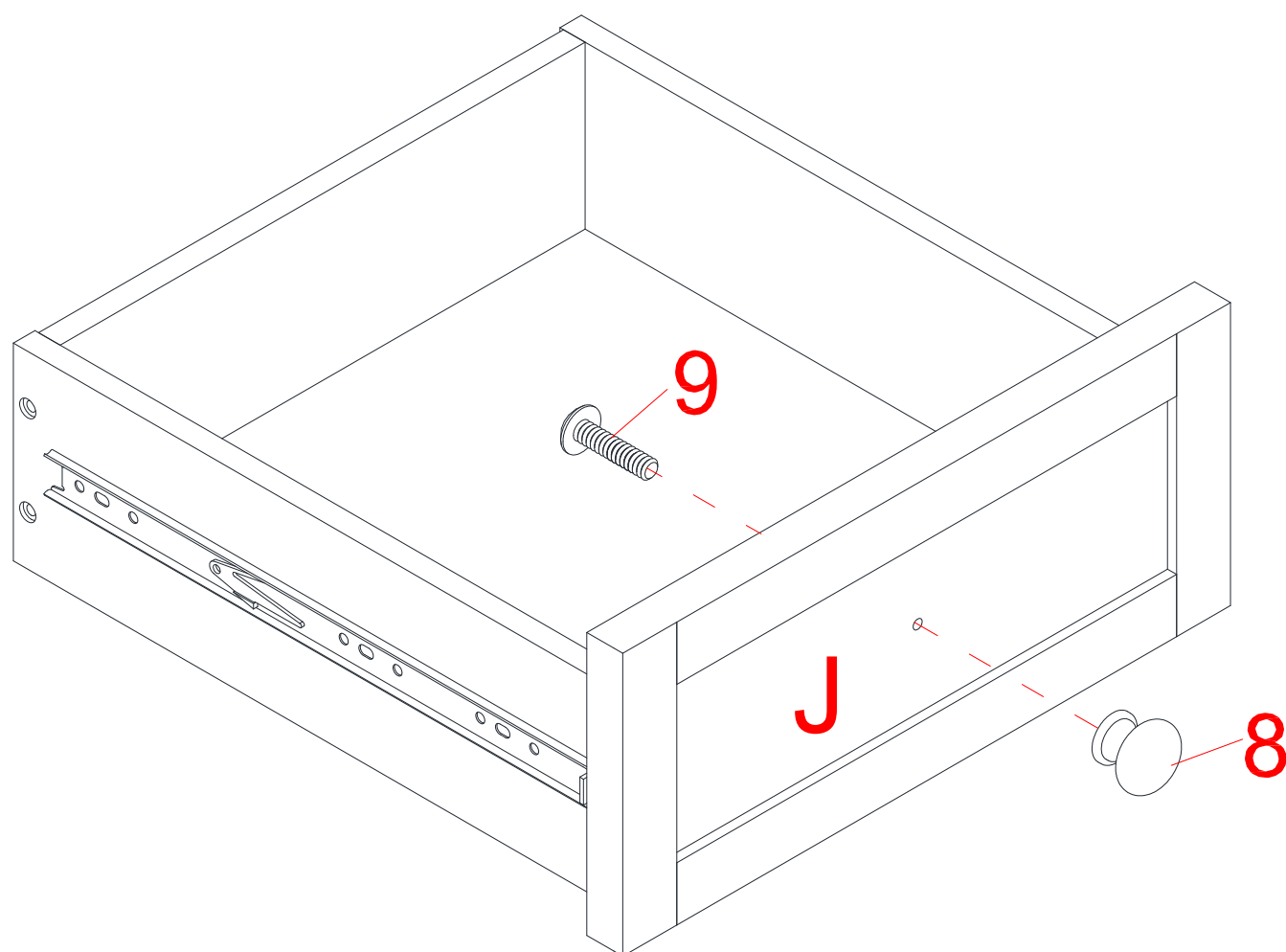
5. Deslizar el panel inferior del cajón (N) en las ranuras hasta que esté insertado completamente en el panel posterior del cajón (K).

Instrucciones de ensamble



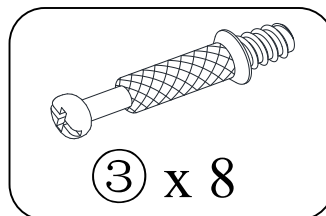
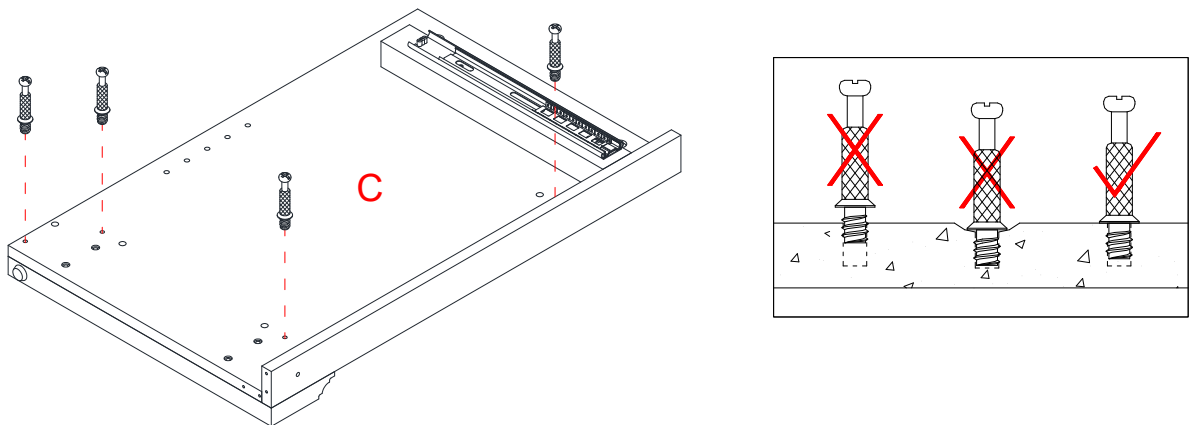
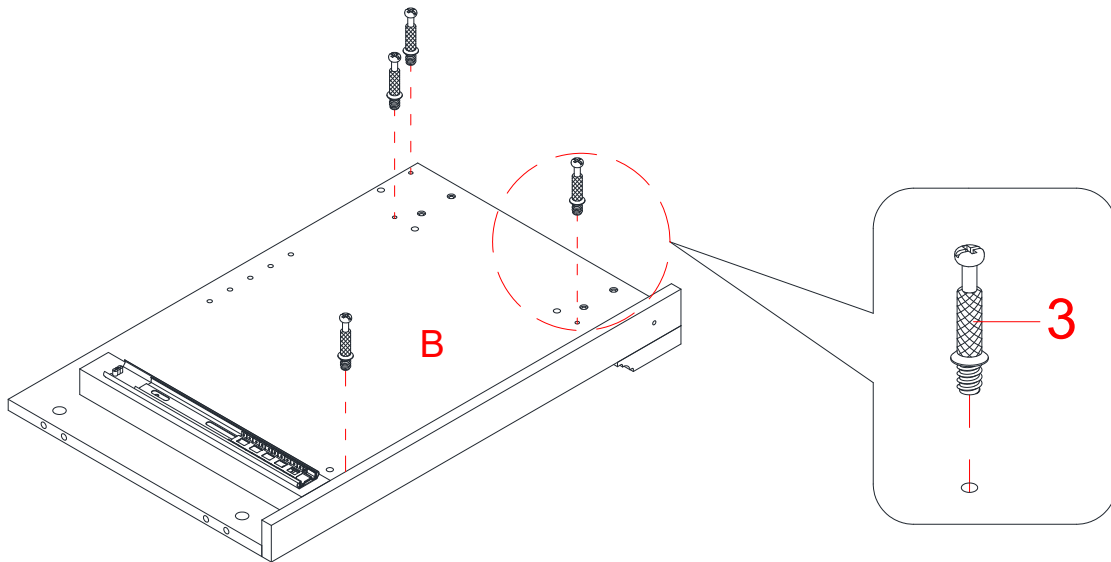
6. Poner el ensamble previo sobre su panel posterior.
7. Poner el panel frontal del cajón (J) sobre las clavijas de madera insertadas y sujetar en su lugar empleando 4 tuercas de fijación pequeñas (1). (Consulte la página 3 del sistema de tuerca de fijación). Asegurar de que el panel inferior del cajón (N) encaje en la ranura del panel frontal del cajón (J).

Instrucciones de ensamble



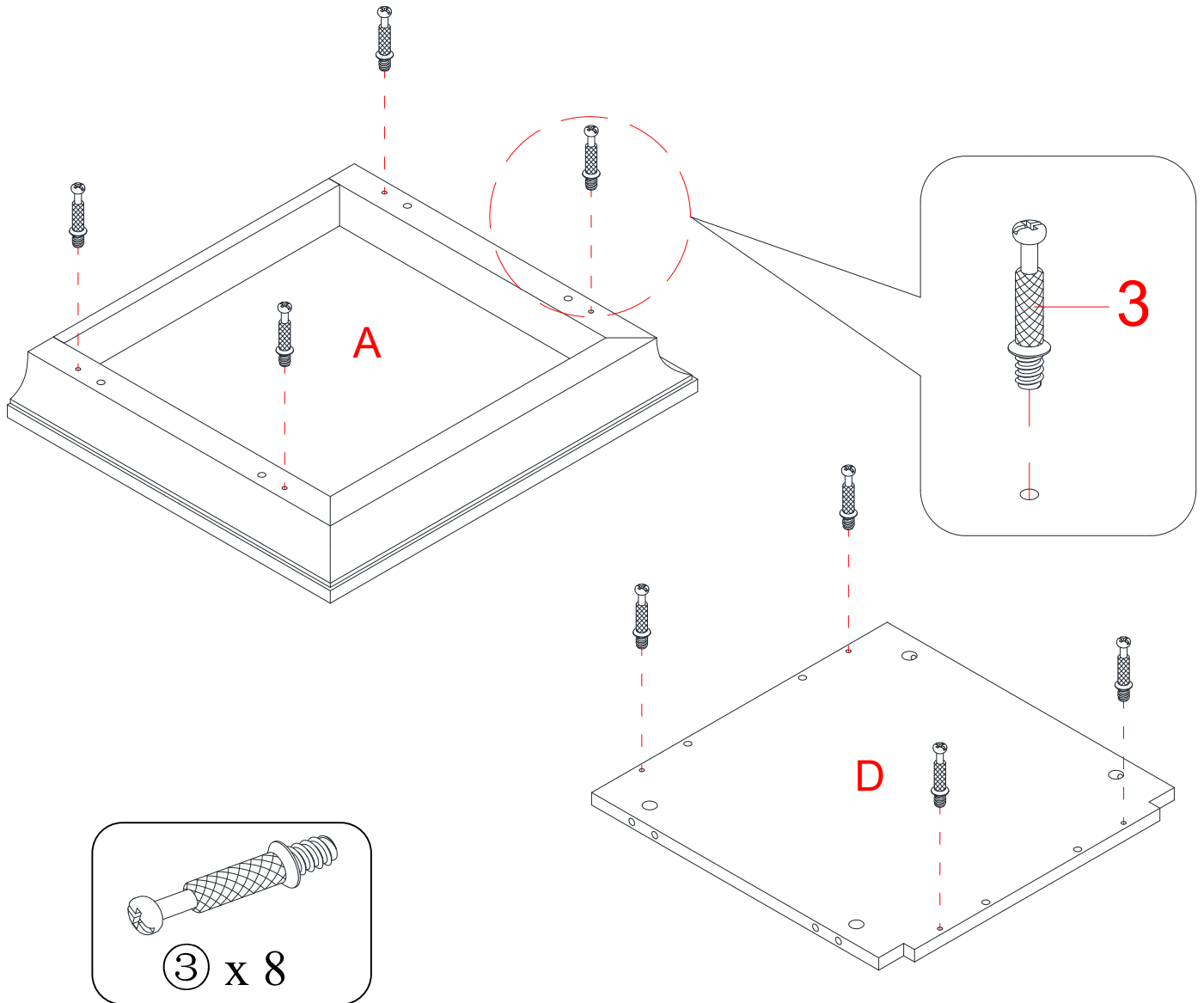
8. Instalar una perilla (8) al frente del panel frontal del cajón (J) con un perno de 22 mm (9).

Instrucciones de ensamble



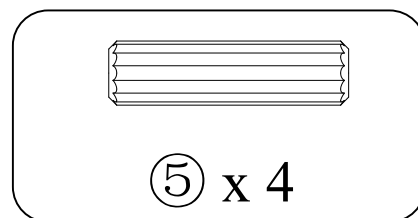
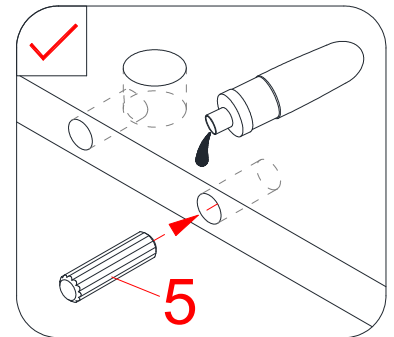
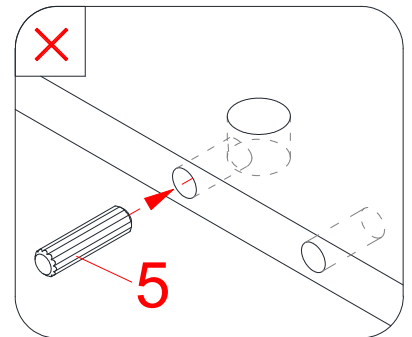
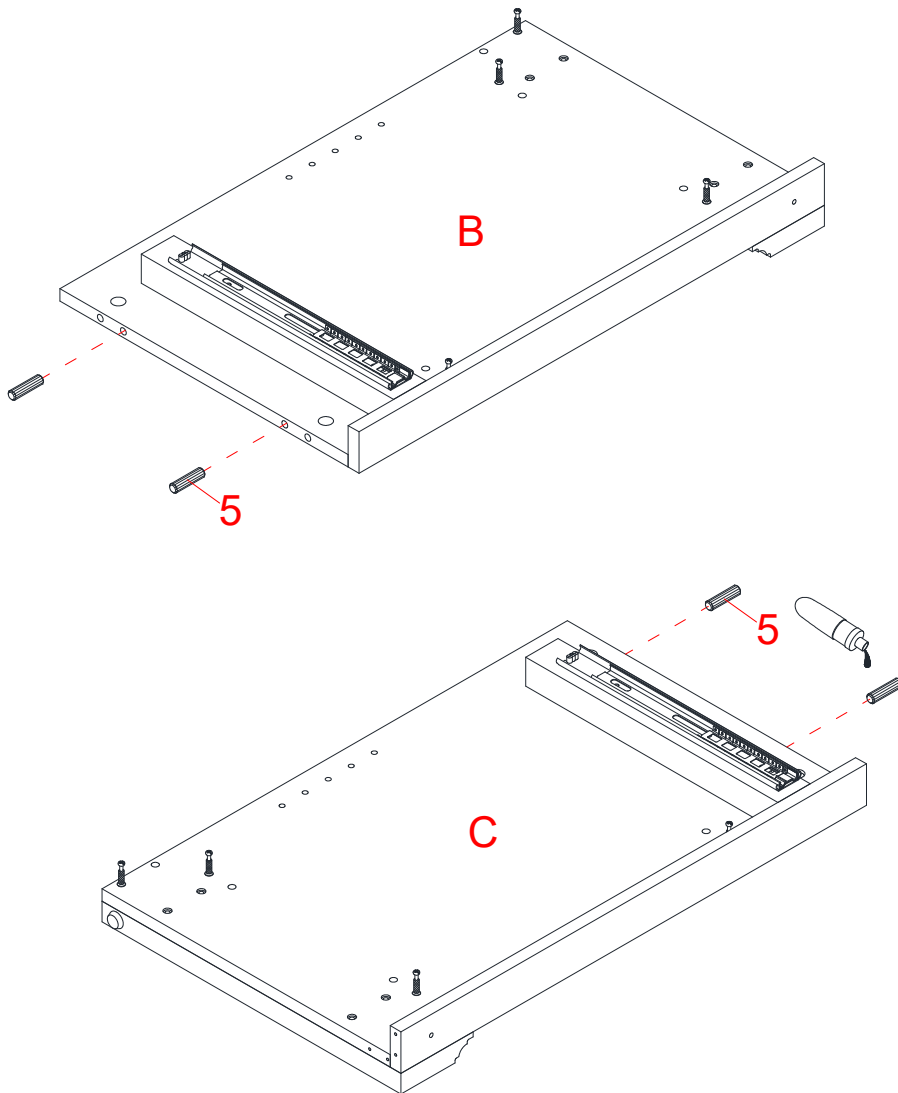
9. Atornillar los pernos de fijación (3) en los agujeros pequeños designados en ambos paneles laterales (B y C) usando el desarmador estrella.

Instrucciones de ensamble



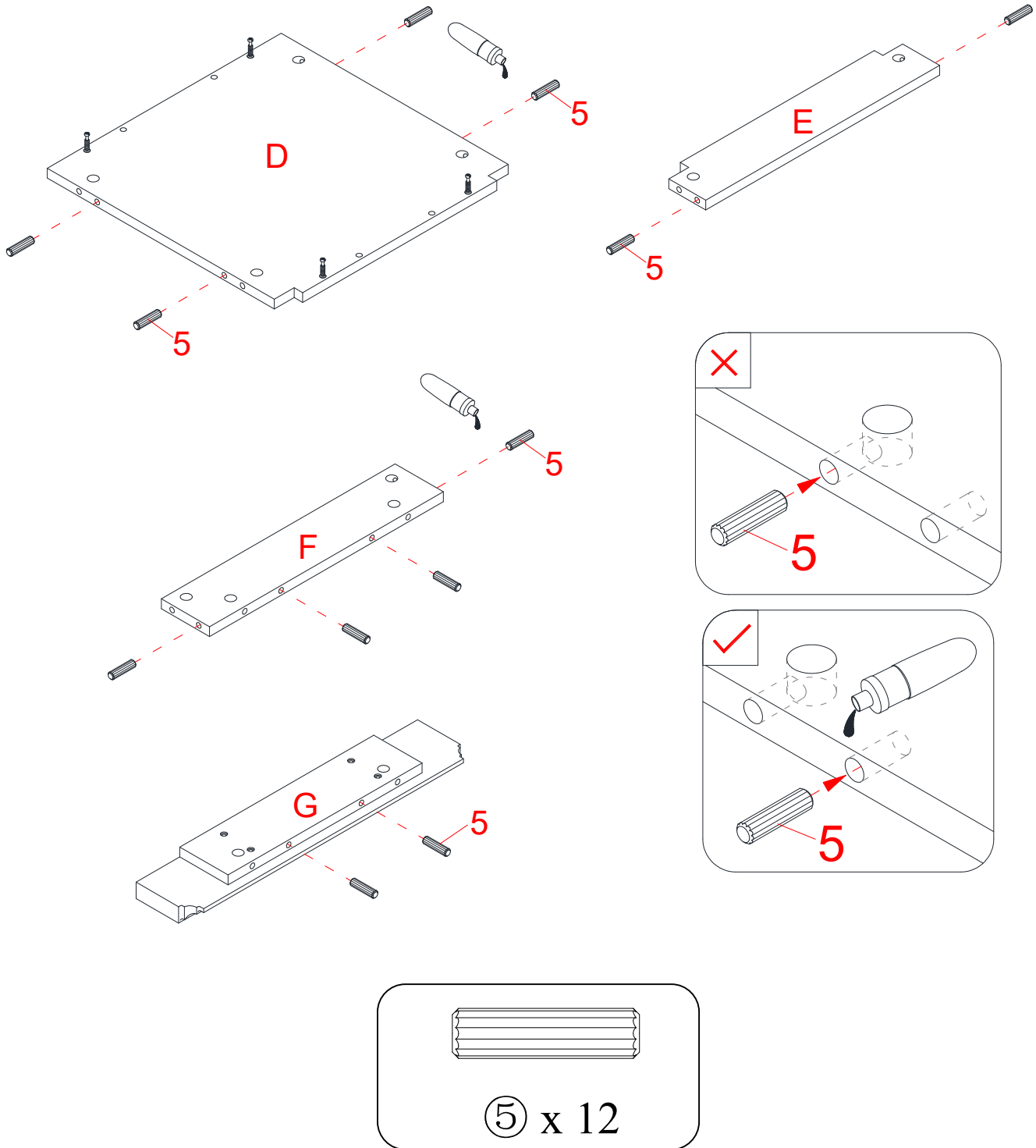
10. Atornillar los pernos de fijación (3) en los agujeros pequeños designados en el panel superior (A) y en el panel inferior (D).

Instrucciones de ensamble



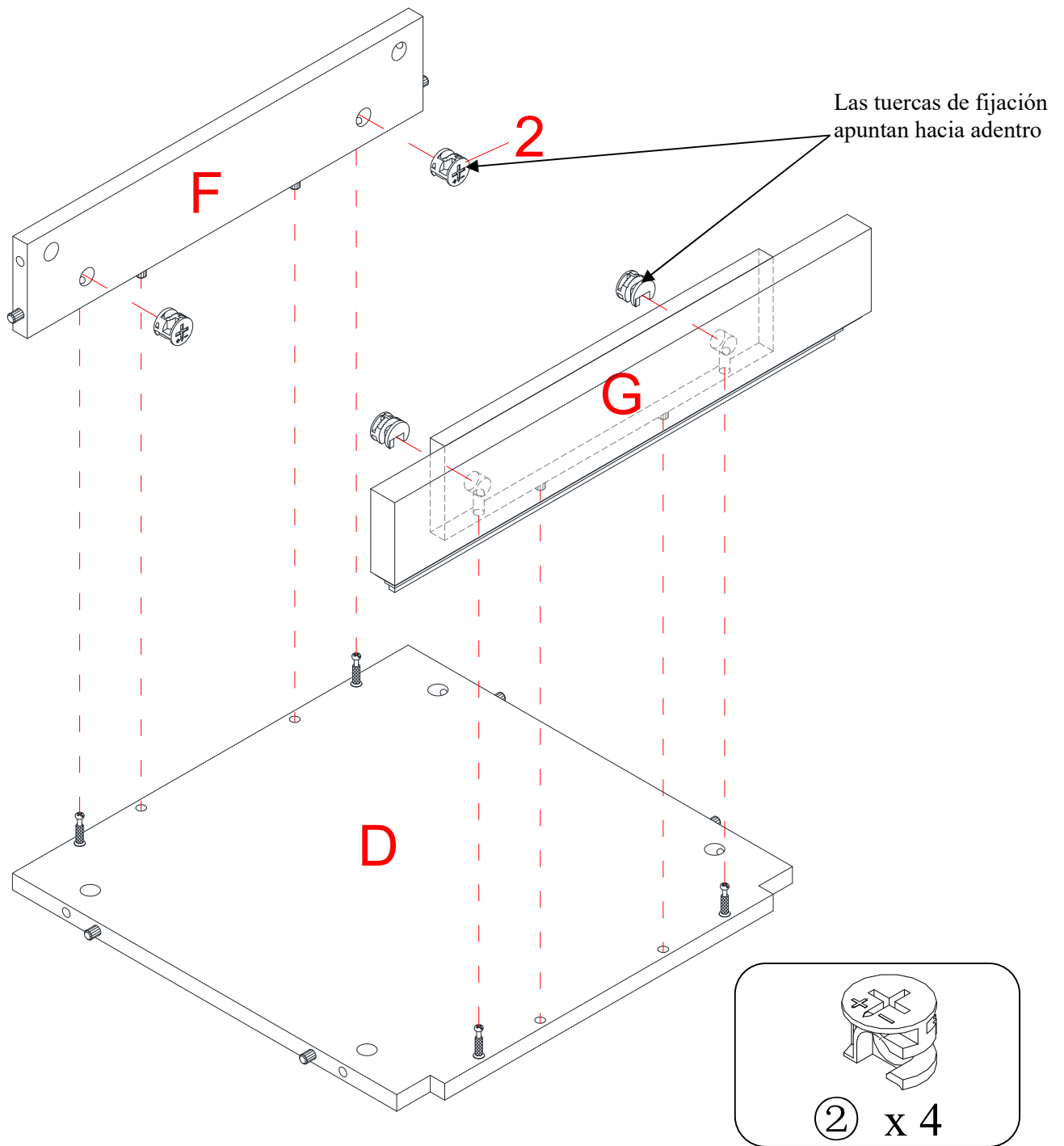
11. Pegar las clavijas de madera grandes (5) en los agujeros internos en ambos lados de los paneles laterales (B y C) como se muestra.

Instrucciones de ensamble



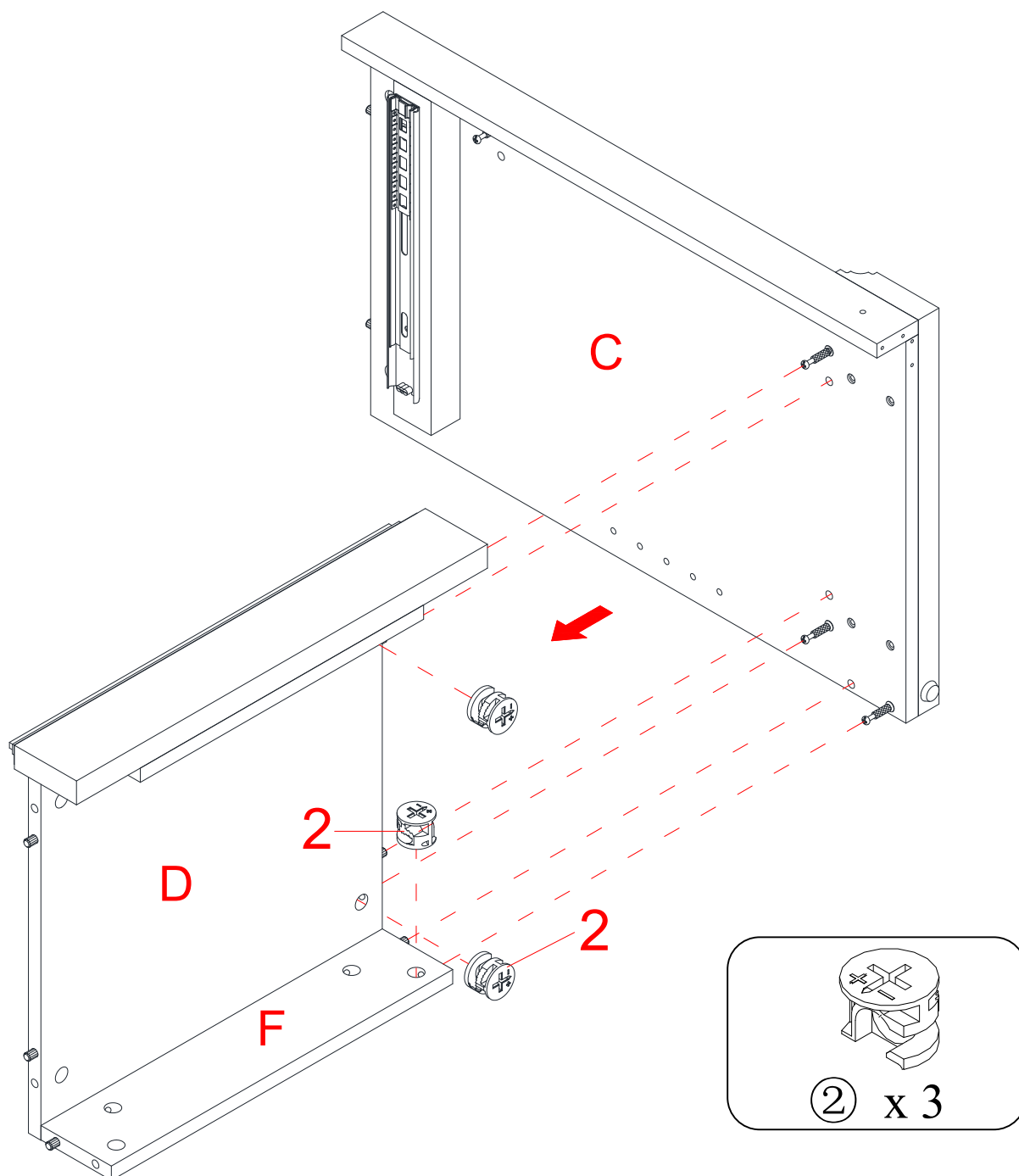
12. Pegar las clavijas de madera grandes (5) en los agujeros internos en el panel inferior (D), en el soporte frontal (E) y en los soporte inferiores (F y G).

Instrucciones de ensamble



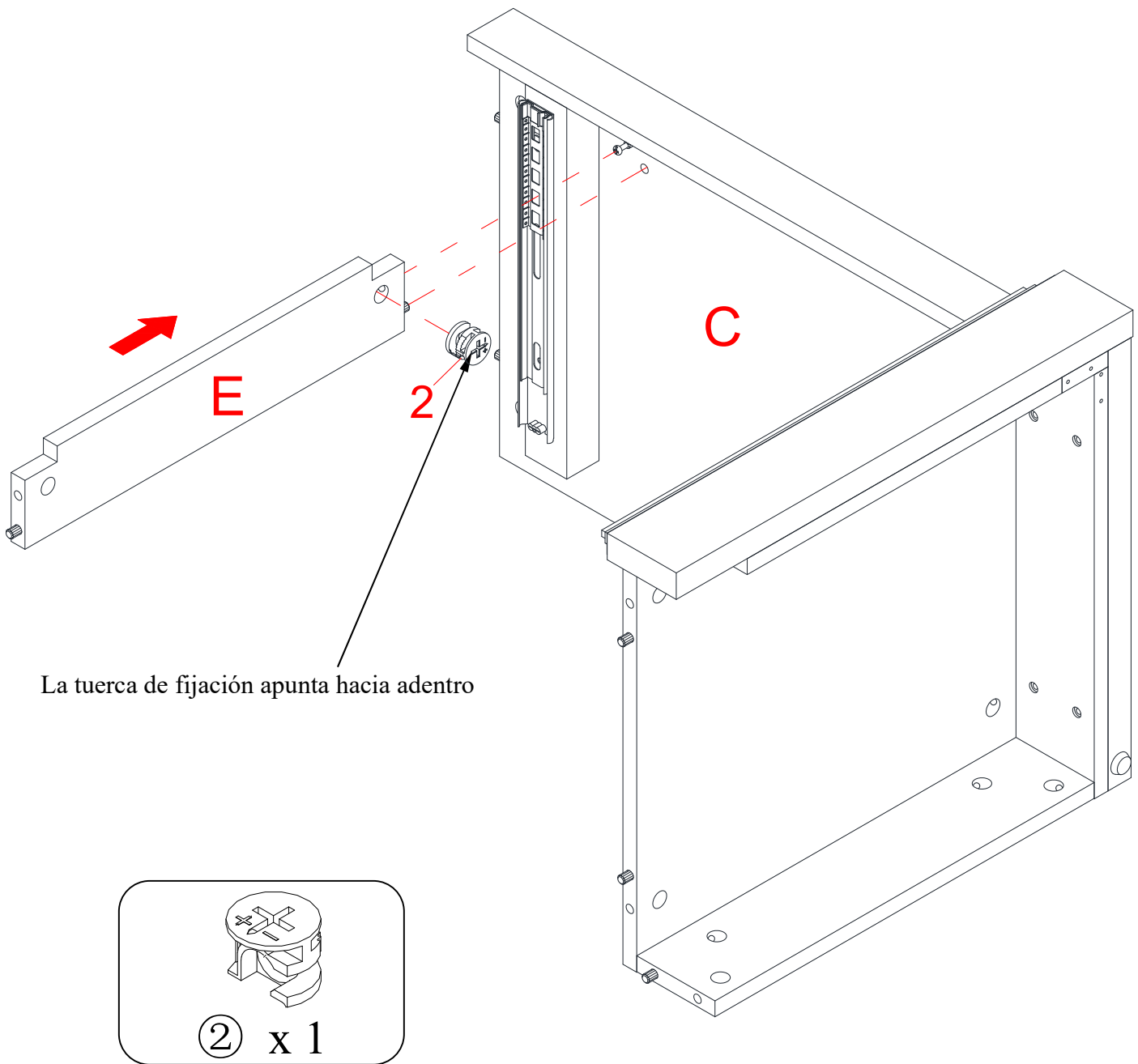
13. Usando las clavijas de madera como guía, adjuntar los soportes inferiores (F y G) al panel inferior (D) empleando 4 tuercas de fijación grandes (2).

Instrucciones de ensamble



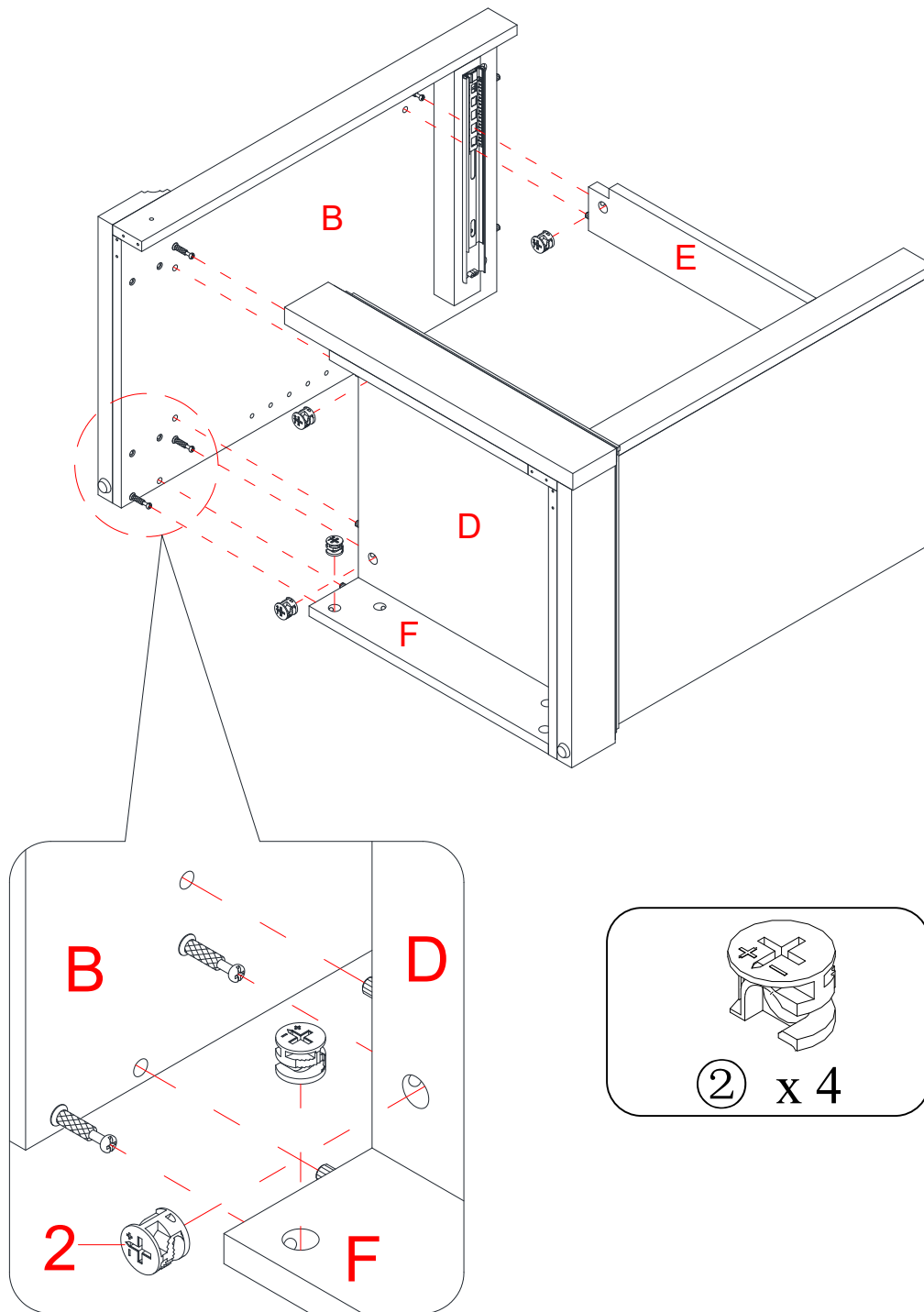
14. Alinear y adjuntar el panel derecho (C) al ensamble del panel inferior con 3 tuercas de fijación grandes (2).

Instrucciones de ensamble



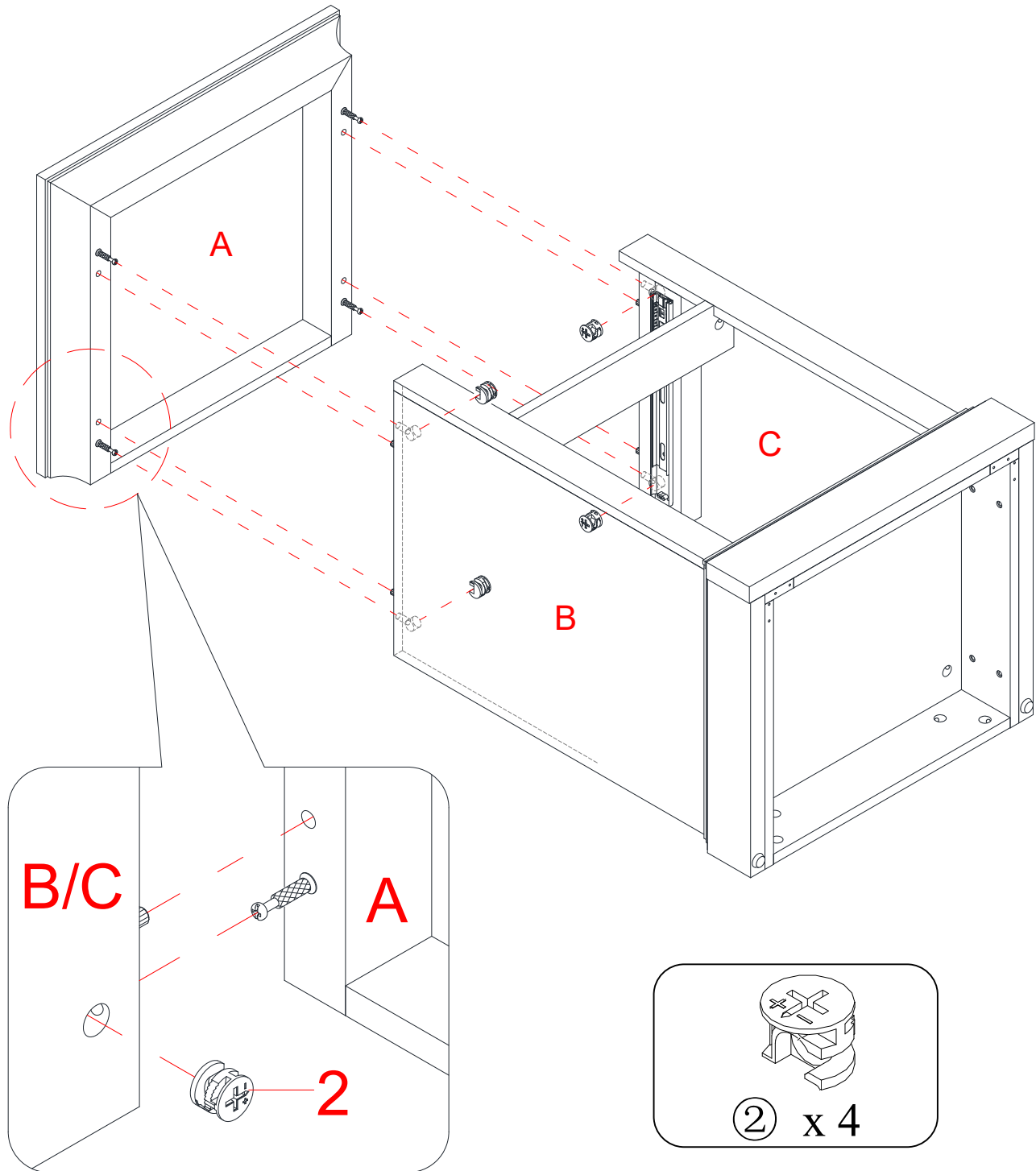
15. Orientar y adjuntar el soporte frontal (E) al panel derecho (C) con una tuerca de fijación grande (2).

Instrucciones de ensamble



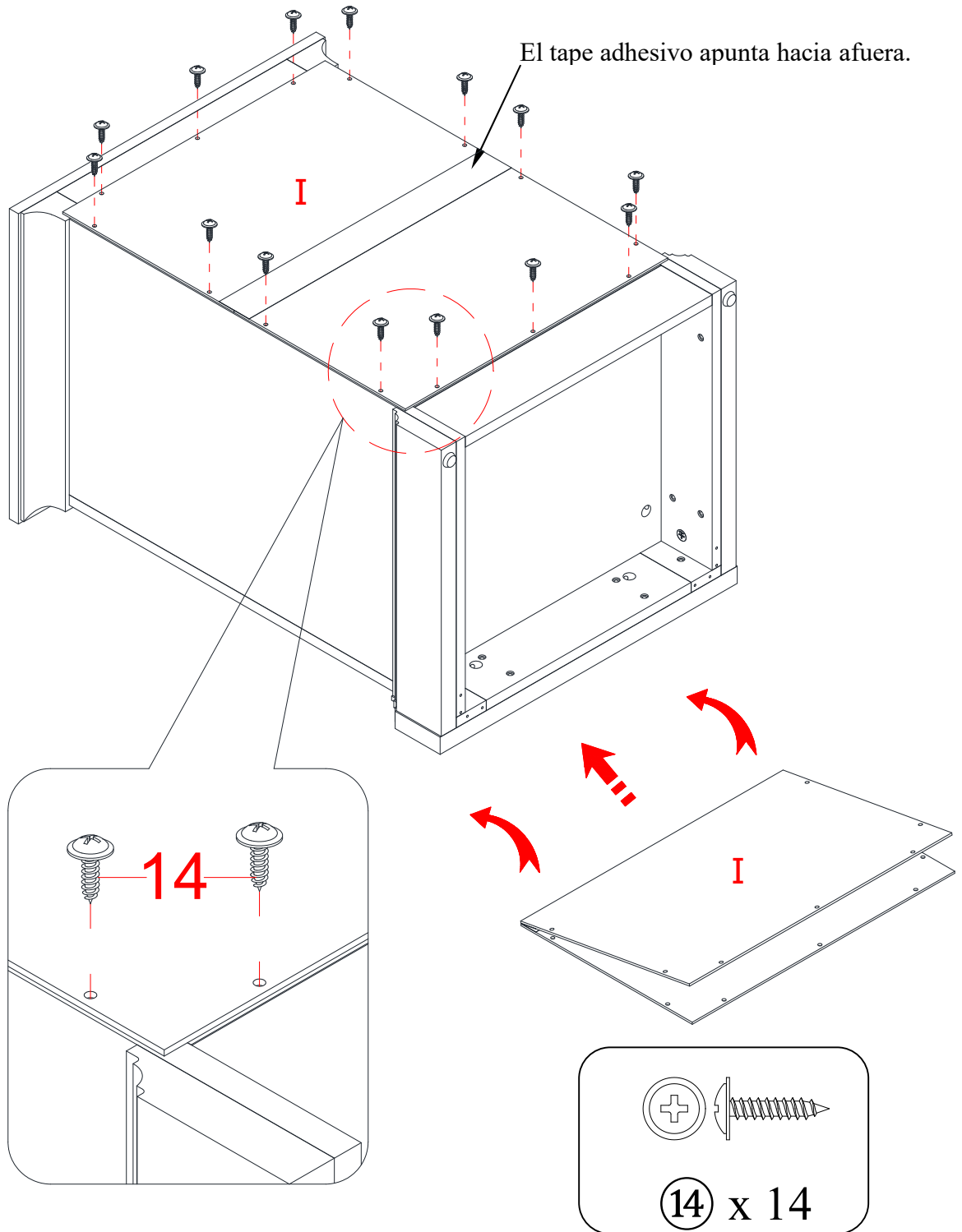
16. Repetir el mismo procedimiento para adjuntar el panel izquierdo (B) al ensamble previo empleando 4 tuercas de fijación grandes (2).

Instrucciones de ensamble



17. Poner el panel superior (A) en ambos paneles laterales (B y C) apropiadamente y sujetar en su lugar con 4 tuercas de fijación grandes (2).
18. Ahora, volver y apretar todas las tuercas de fijación y los pernos. Asegurar que todas las partes estén apretadas y de que no hay huecos entre las partes. Esto ayudara a mantener la unidad cuadrada.

Instrucciones de ensamble

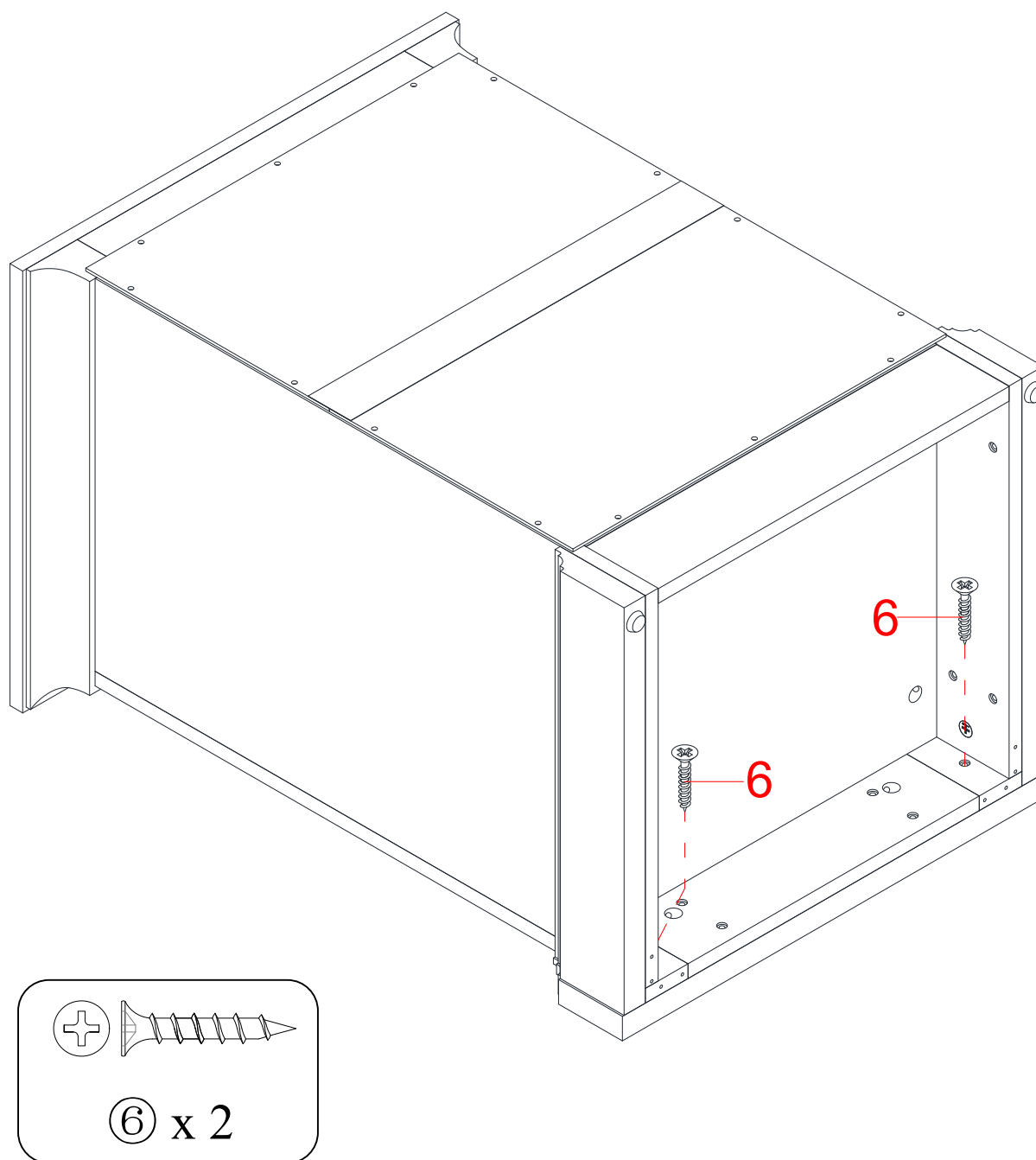


19. Voltrear la unidad ensamblada sobre sus esquinas frontales.

20. Desdoblar el panel posterior (I) y alinear los agujeros pre-perforados contra el borde con los agujeros pilotos en el riel posterior del panel superior (A). Y adjuntar en su lugar con los pernos de cabeza de arandela de 15 mm (14).

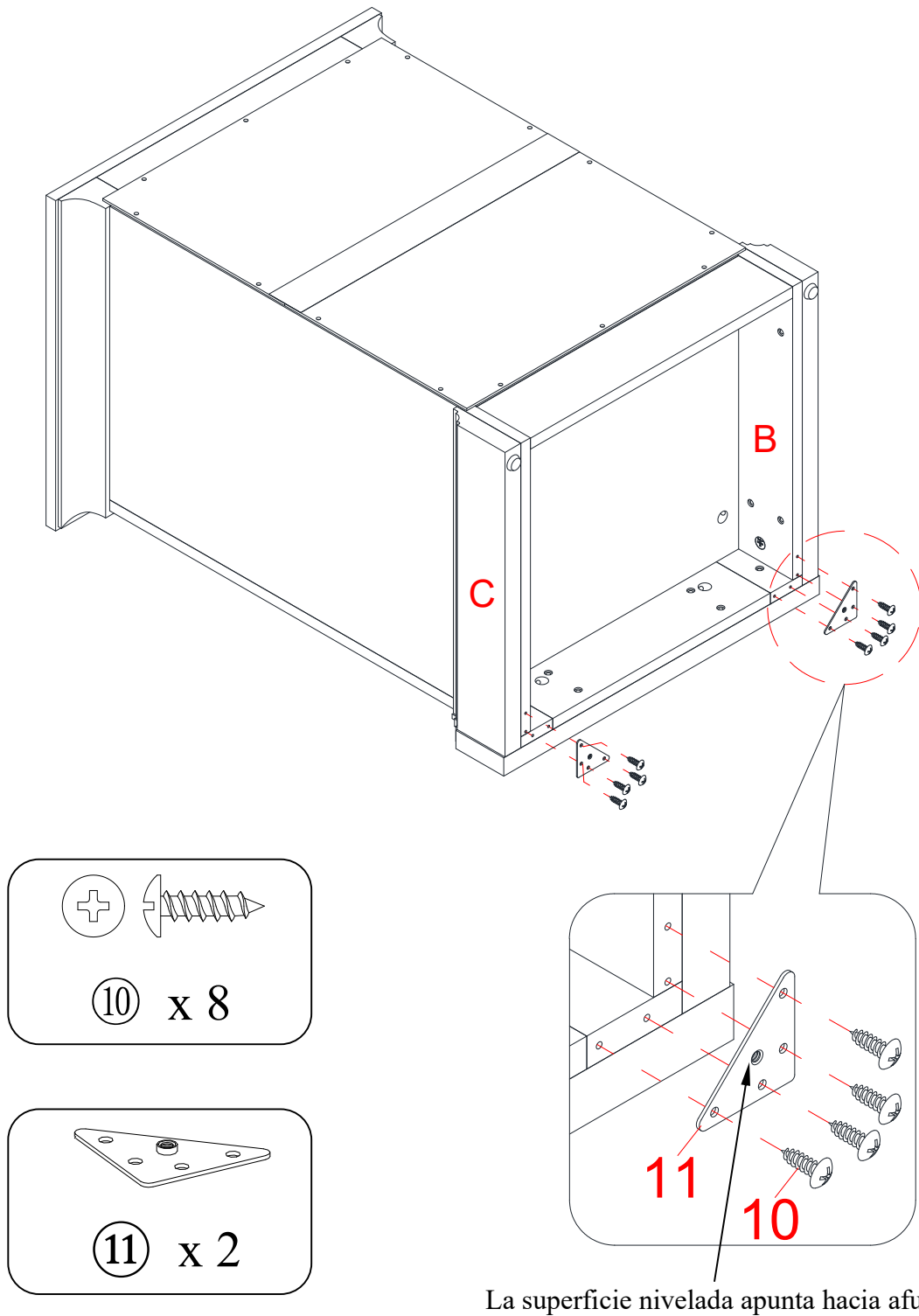
NOTA: Nosotros recomendamos adjuntar el panel posterior con los pernos en las esquinas primero.

Instrucciones de ensamble



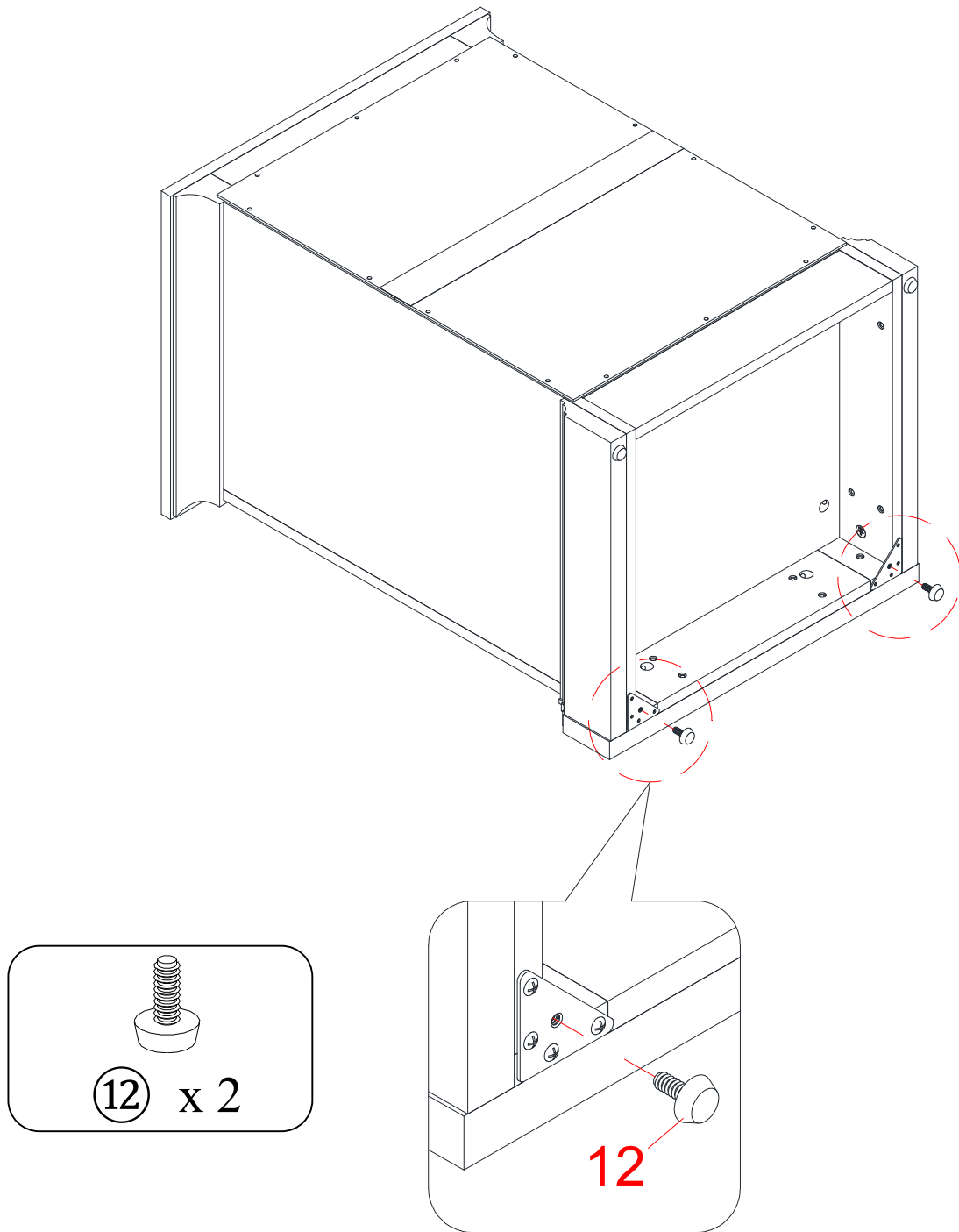
21. Insertar 2 pernos de 25mm (6) a través de los agujeros perforados en el soporte inferior frontal (G) y atornillar en ambos paneles laterales (B y C).

Instrucciones de ensamble



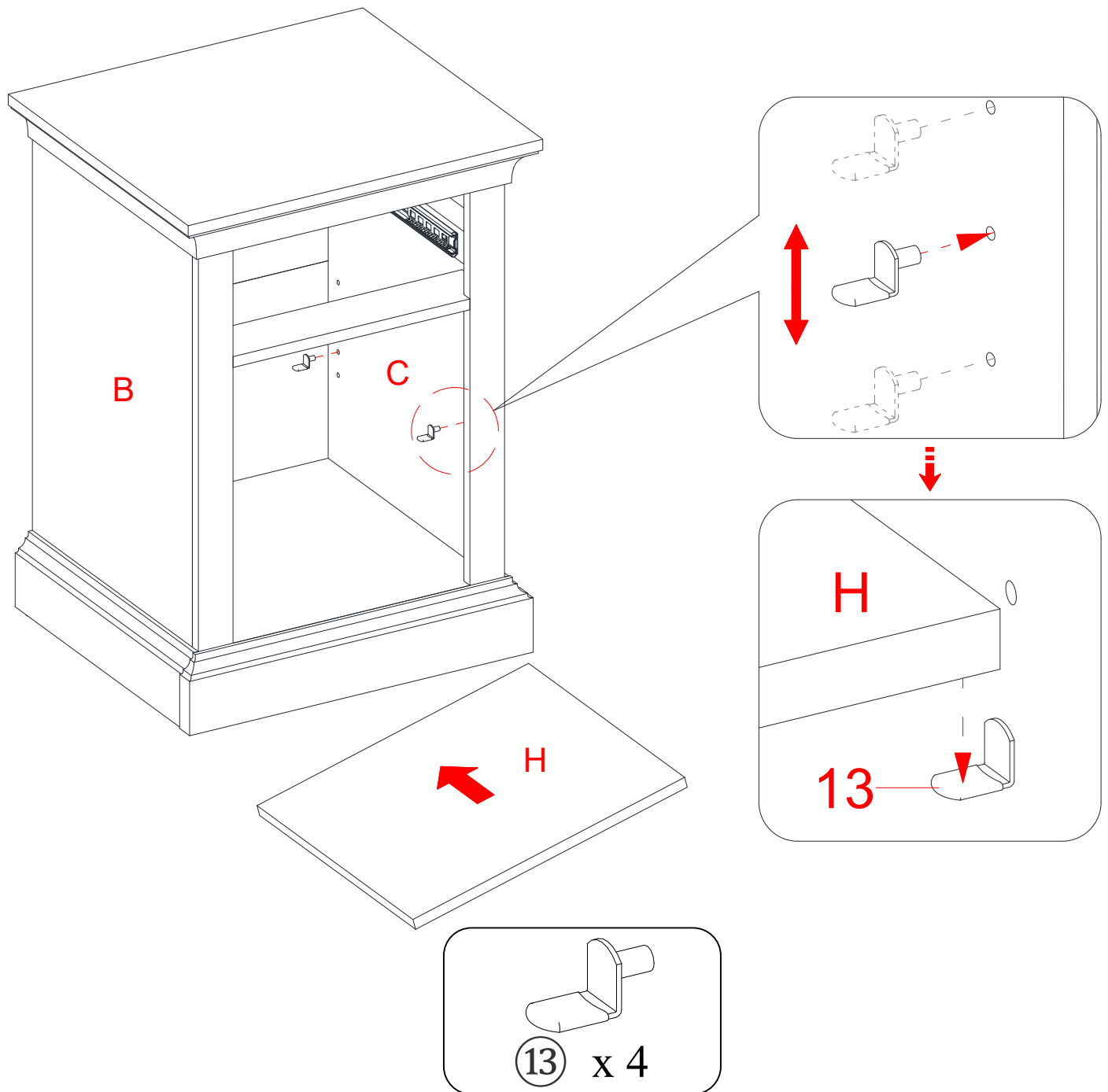
22. Usando los agujeros pilotos como guía, sujetar 2 placas de metal triangulares (11) en las conexiones inferiores entre los paneles laterales (B y C) y en el soporte inferior frontal (G) usando 4 pernos de cabeza redonda (10) por placa.

Instrucciones de ensamble



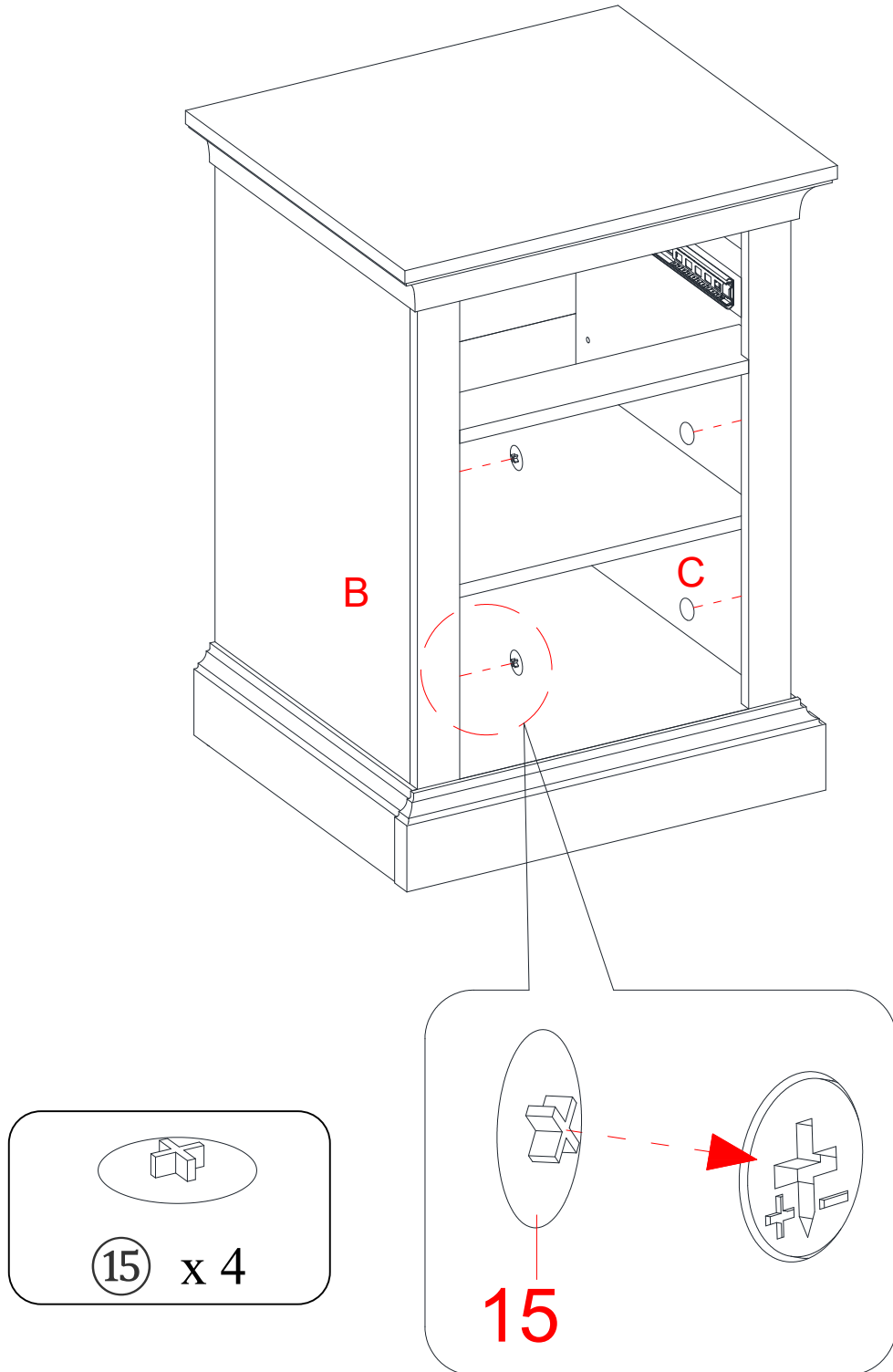
23. Atornillar 2 niveladores de piso (12) en los espacios roscados en la placas de metal triangulares (11) y ajustar en la altura correcta.

Instrucciones de ensamble



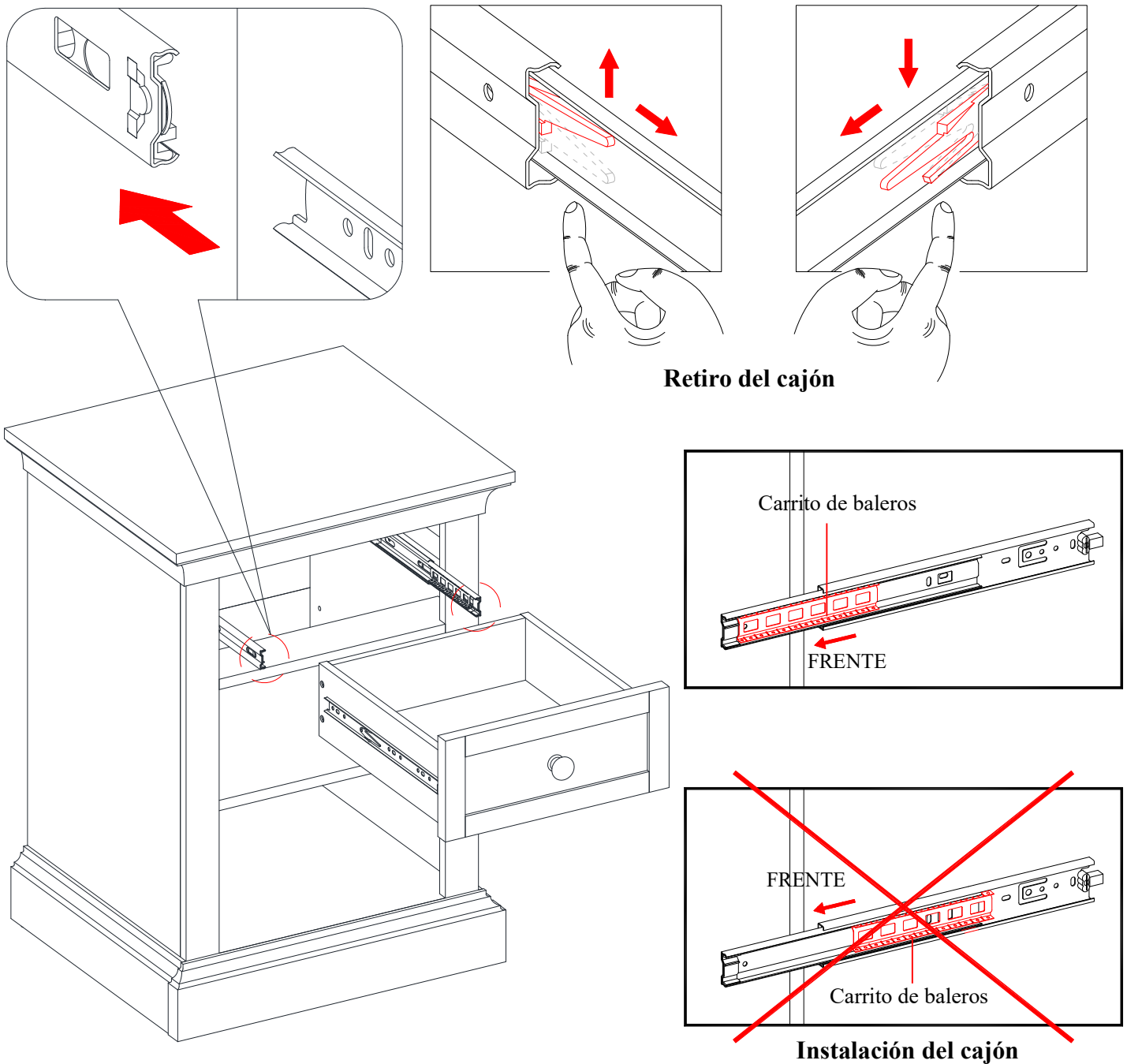
24. Poner la unidad ensamblada en posición vertical y poner cerca del lugar final.
25. Insertar 4 soporte para repisa (13) en los agujeros deseados en los paneles laterales (B y C). Asegurar de poner los 4 soportes para repisa en el mismo nivel para que la repisa no este inclinada.
26. Inclinarse y descansar la repisa ajustable (H) sobre los soportes para repisa (13).

Instrucciones de ensamble



27. Enchufar las tapas de las tuercas de fijación (15) sobre las tuercas de fijación visibles para esconder.

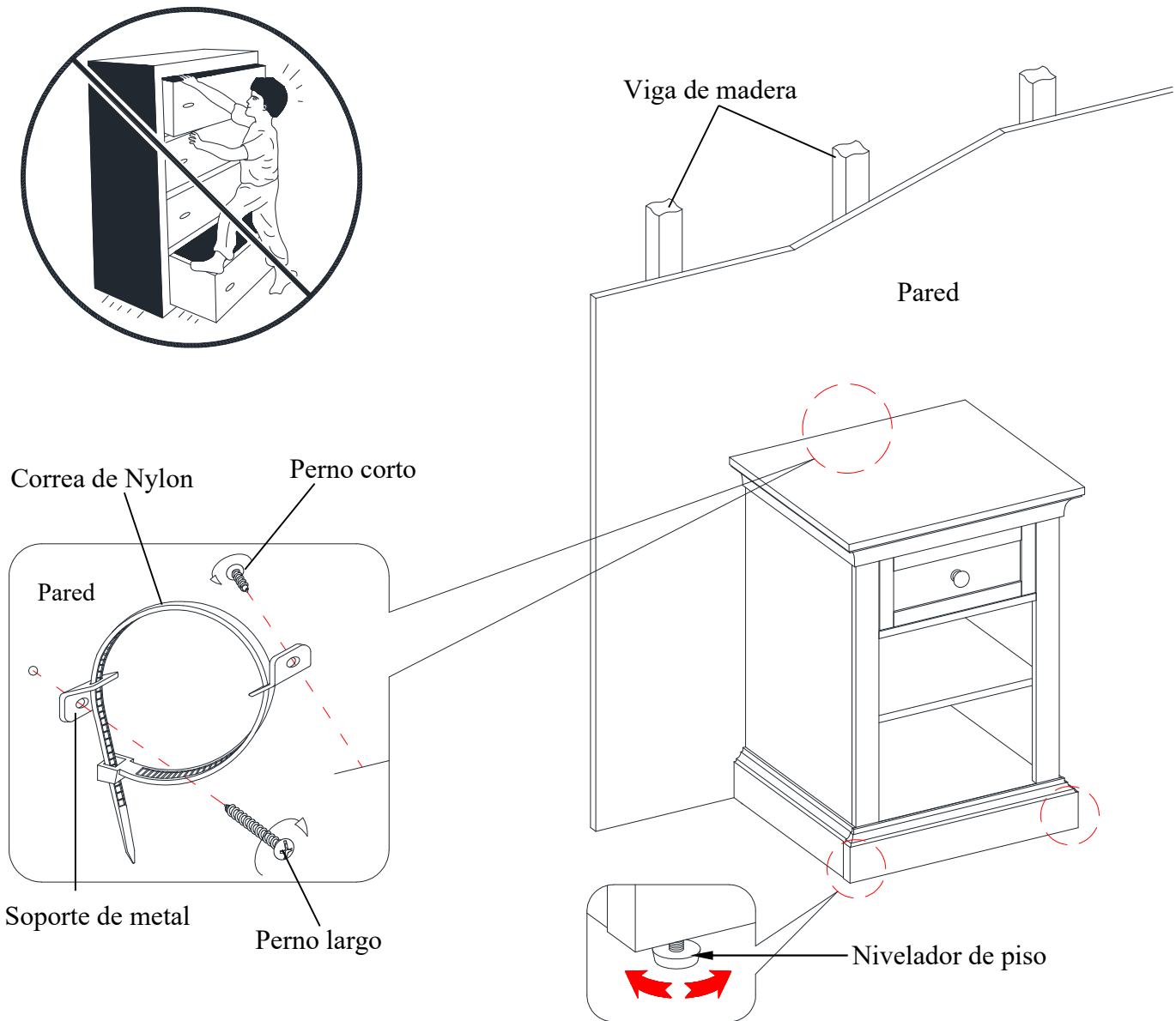
Instrucciones de ensamble



28. Insertar el cajón ensamblado en el marco. Extender los carriles de la corredera de baleros en los paneles todo el camino hacia enfrente (incluyendo el carrito de baleros). Luego alinear los complementos de corredera en el cajón ensamblado con los carriles de corredera y empujar el cajón hacia adentro hasta que tope.

NOTA: Si el cajón no se mueve suavemente, por favor saque y repita el paso. Si necesita sacar el cajón, por favor jale el cajón todo el camino, y empuje simultáneamente las palancas de liberación de plástico de las correderas de baleros hacia arriba en una y hacia abajo en la otra, después jalé el cajón completamente afuera.

Instrucciones de ensamble



Herramientas requeridas (no provistas): Desarmador estrella, buscador de vigas, lápiz, cinta métrica, taladro y broca de 1/8 pulgadas.

29. Poner la unidad ensablado en el lugar deseado contra la pared. Si fuera necesario, ajustar los niveladores de piso (12) para corregir la inclinación.
30. Ahora, seguir las instrucciones imprimidas en la bolsa de plástico que contiene el juego de restricción de movimiento para adjuntar los topes de movimiento a la unidad y pared.

NOTA: El juego de restricción incluido es para paredes de tablaroca. Sera necesario taladrar agujeros para las anclas de pared. Dependiendo de la construcción de pared, diferentes anclas podrán ser requeridas. Por favor contacte su tienda local de ferretería para asistencia. Niños pequeños pueden resultar lastimados por muebles inclinados. Debe instalar el juego de restricción de movimiento con la unidad en función, para prevenir la inclinación de la unidad, causando cualquier accidente o daño. El tope de movimiento es solo un impedimento, no hay sustituto para la supervisión adulta. El tope de movimiento no es contra terremoto. Si deseara añadir la seguridad extra contra terremotos, deben ser comprados e instalados separadamente.

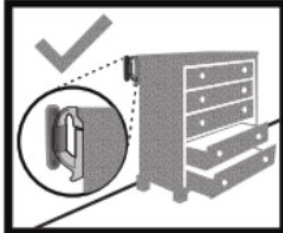

SISTEMA DE RESTRICCIÓN DE MOVIMIENTO

NIÑOS PEQUEÑOS PUEDEN RESULTAR LASTIMADOS POR MUEBLES INCLINADOS Y DEBE INSTALAR EL JUEGO DE RESTRICCIÓN DE MOVIMIENTO CON LA UNIDAD EN FUNCIÓN, PARA PREVENIR LA INCLINACIÓN DE LA UNIDAD, CAUSANDO CUALQUIER ACCIDENTE O DAÑO.

ESTÉ JUEGO DEBE SE INSTALADO CORRECTAMENTE (SIGA LAS DIRECCIÓN EN ORDEN DE LAS INSTRUCCIONES), PARA PROVEER PROTECCIÓN EN CONTRA DE LA INCLINACIÓN INESPERADA DEL MUEBLE DEBIDO AL USO INAPROPIADO.

EL TOPE DE MOVIMIENTO ES SOLO UNA PROTECCIÓN. NO HAY SUBSTITUTO PARA LA SUPERVISIÓN ADULTA. EL USO DE TOPES DE MOVIMIENTOS SOLO REDUCE, PERO NO ELIMINA, EL RIESGO DE UN MUEBLE QUE SE VOLQUEA.

⚠ ADVERTENCIA



Los niños han muerto por el vuelco de los muebles. Para reducir el peligro de que el mueble se vuelca:

- SIEMPRE asegurar el mueble a la pared usando un tope de movimiento.
- NUNCA permitir que niños se paren, suban, o cuelguen de los cajones, puertas, o repisas.
- No destruya o retire el sistema de conexión del cajón.
- Poner los objetos más pesados en los cajones inferiores.
- NUNCA poner una TV sobre este mueble.

Mantenimiento y cuidados

- Use una toalla suave y limpia para evitar daños y rayaduras.
- Uso de cera para pulir muebles no es necesario. Si desea usar cera cheque en un área que no sea visible para revisar su funcionamiento.
- Usar solventes de cualquier tipo puede dañar el acabado del mueble.
- Nunca use agua para limpiar la unidad, ya que le puede dañar el acabado.
- Siempre utilice protección para vasos cuando los ponga sobre la unidad.
- Líquidos derramados deben limpiarse inmediatamente, con una toalla suave evitando tallar.
- Siempre utilizar protectores en caso de poner cosas calientes. El calor puede provocar una reacción química en el acabado y dañarlo.
- En caso que su unidad sea manchada durante el uso le recomendamos hablar a un profesional para que le ayude.
- Revisar los pernos y tornillos periódicamente y apriételos si es necesario.

Más recomendaciones para el cuidado de su mueble

Es lo mejor mantener la unidad en una area de clima controlado. Temperatura extrema y cambios de humedad pueden causar cambios como partes pandas, molduras que se contraigan o que la madera se raje. Es recomendable mantener la unidad lejos del sol directo ya que puede dañar el acabado.

Cuidados adecuados y limpieza pueden extender la vida útil de su unidad. Siga estas recomendaciones y mantendrá su mueble en buenas condiciones de uso por muchos años.

Un plumón de retoque es proveído en caso de pequeñas raspaduras o golpes que sucedan durante el ensamble o envío.

Esperamos que disfrute su mueble por muchos años.
¡Gracias por su compra!

GARANTÍA DE CALIDAD

Nosotros estamos seguros que usted se encontrará feliz con la compra de este producto de Whalen Furniture.

Si este producto tiene algun defecto de ensamble o material, o si tiene alguna falla en uso normal, nosotros lo repararemos o lo re-emplazaremos hasta por un año a partir de la fecha de compra. Todo producto de Whalen Furniture es diseñado para alcanzar sus expectativas más altas. Nosotros le garantizamos que inmediatamente podrá ver el valor de nuestra mercancía de la más alta calidad.

Esta garantía le proporciona derechos legales específicos y talvez tenga otros derechos que varian de estado a estado.

Whalen Furniture Manufacturing
1578 Air Wing Road, San Diego, CA 92154, USA
Servicio al cliente: 866-942-5362
Hora Estándar del Pacífico: 8:30 a.m. - 4:30 p.m., de Lunes a Viernes
www.whalenstyle.com