

Kane Twin Loft Bed with Bookshelf

Stock # BH18-084-097-26	Mocha
# BH18-084-097-27	White
# BH18-084-097-28	Gray
# BHW-10010	Black
# BHW-10012	Natural



ADULT ASSEMBLY REQUIRED

If you have any questions regarding assembly or if parts are missing, DO NOT return this item to the store where it was purchased. Please call our customer service number and have your instructions and parts list ready to provide the model name, part name or factory number:

866-942-5362

Pacific Standard Time: 8:30 a.m. - 4:30 p.m., Monday - Friday
Or visit our web site 24 hours a day, 7 days a week for product assistance at

www.whalenstyle.com

Or e-mail your request to **parts@whalenfurniture.com**

**THIS INSTRUCTION BOOKLET CONTAINS IMPORTANT SAFETY INFORMATION.
PLEASE READ AND KEEP FOR FUTURE REFERENCE.**

Date 2021-11-01 Rev. 0001-B

WARNING

ALWAYS USE GUARDRAILS ON BOTH LONG SIDES OF THE UPPER BUNK. IF THE BUNK BED WILL BE PLACED NEXT TO THE WALL, THE GUARDRAIL THAT RUNS THE FULL LENGTH OF THE BED SHOULD BE PLACED AGAINST THE WALL TO PREVENT ENTRAPMENT BETWEEN THE BED AND WALL.

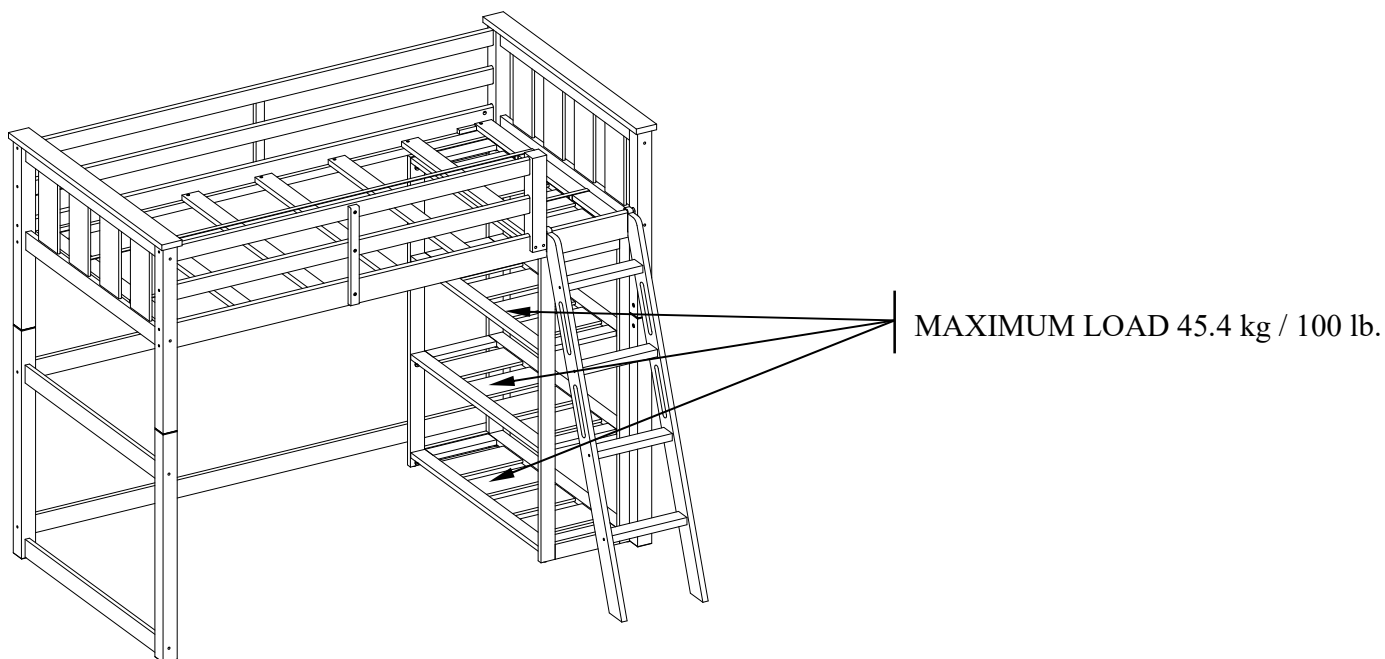
STRANGULATION HAZARD - Never attach or hang items to any part of the bunk bed that are not designed for use with the bed; for example, but not limited to, hooks, belts, and jump ropes.

Prohibit more than one person on upper bunk.

Maximum mattress thickness must not exceed 8 in. (20.32 cm). Surface of mattress must be at least 5 in. (12.70 cm) below the upper edge of guardrails.

Use only mattress which is 74 in. (1.88 m) to 75 in. (1.90 m) long and 37 ½ in. (95.25 cm) to 38 ½ in. (97.79 cm) wide on upper bunk.

Replacement parts, including additional guardrails, may be obtained from any our dealer.



IMPORTANT / IMPORTANTE



Scan for easy 3D instructions

Escanea para instrucciones fáciles en 3D

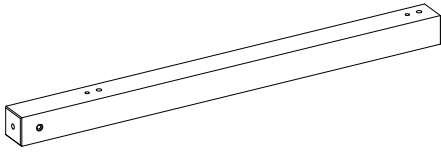


TO HELP PREVENT SERIOUS OR FATAL INJURIES FROM ENTRAPMENT OR FALLS

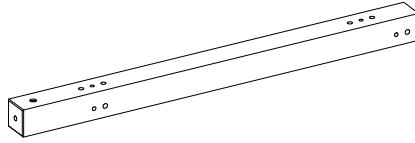
- **Follow the information on the warnings appearing on the upper bunk end structure and on the carton. Do not remove warning label from bed.**
- **Always use the recommended size mattress or mattress support, or both, to help prevent the likelihood of entrapment or falls.**
- **Surface of mattress must be at least 5 in. (12.70 cm) below the upper edge of guardrails.**
- **Do not allow children under 6 years of age to use the upper bunk.**
- **Periodically check and ensure that the guardrail, ladder and other components are in their proper position, free from damage and that all connectors are tight.**
- **Do not allow horseplay on or under the bed and prohibit jumping on the bed.**
- **Always use the ladder for entering and leaving the upper bunk.**
- **Do not use substitute parts. Contact the manufacturer or dealer for replacement parts.**
- **Use of a night light may provide added safety precaution for a child using the upper bunk.**
- **Always use guardrails on both long sides of the upper bunk. If the bunk bed will be placed next to the wall, the guardrail that runs the full length of the bed should be placed against the wall to prevent entrapment between the bed and wall.**
- **The use of water or sleep flotation mattress is prohibited.**
- **STRANGULATION HAZARD – Never attach or hang items to any part of the bunk bed that are not designed for use with the bed; for example, but not limited to, hooks, belts, and jump ropes.**
- **Prohibit more than one person on upper bunk.**
- **Keep these instructions for future reference.**

Parts and Hardware List

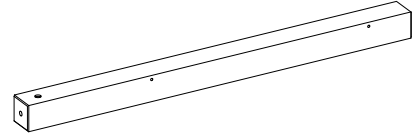
Please read completely through the instructions and verify that all listed parts and hardware are present before beginning assembly.



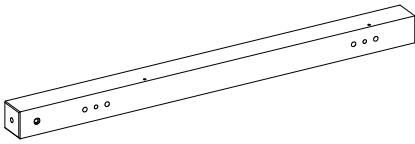
A- Lower Headboard Front Post
(Qty. 1)



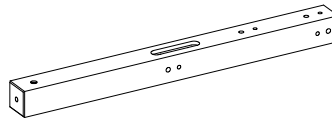
B- Lower Headboard Back Post
(Qty. 1)



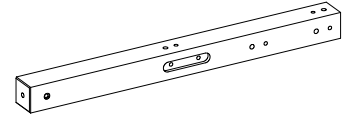
C- Lower Footboard Front Post
(Qty. 1)



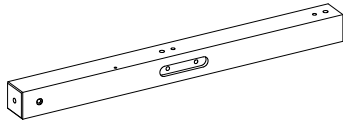
D- Lower Footboard Back Post
(Qty. 1)



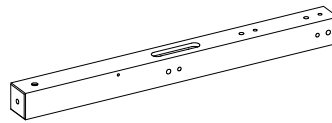
E- Upper Headboard Front Post
(Qty. 1)



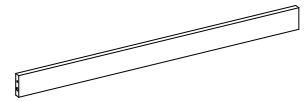
F- Upper Headboard Back Post
(Qty. 1)



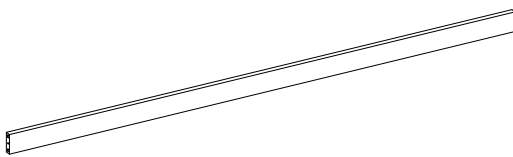
G- Upper Footboard Front Post
(Qty. 1)



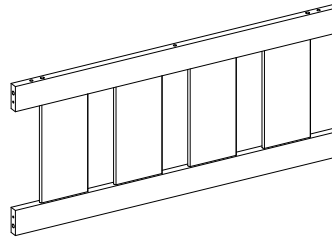
H- Upper Footboard Back Post
(Qty. 1)



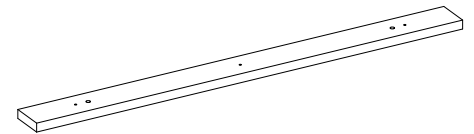
I- Lower Side Rail
(Qty. 2)



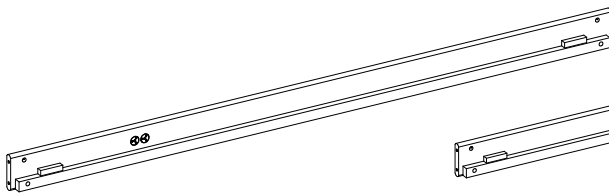
J- Lower Back Rail
(Qty. 2)



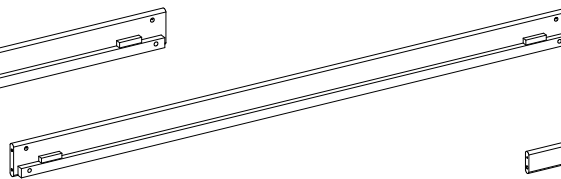
K- Upper Cross Assembly
(Qty. 2)



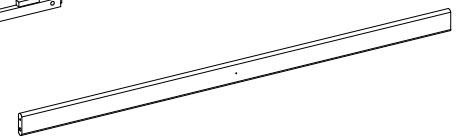
L- Upper Cap Rail
(Qty. 2)



M- Upper Ladder Side Rail
(Qty. 1)



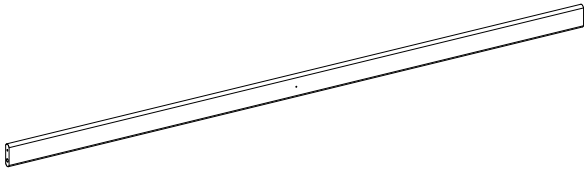
N- Upper Mattress Side Rail
(Qty. 1)



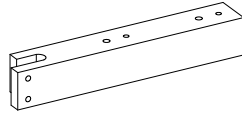
O- Short Guardrail
(Qty. 2)

Parts and Hardware List

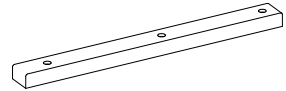
Please read completely through the instructions and verify that all listed parts and hardware are present before beginning assembly.



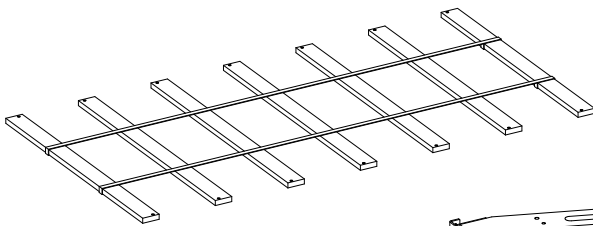
P- Long Guardrail
(Qty. 2)



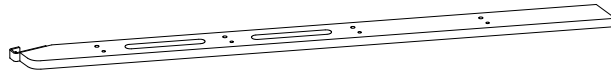
Q- Front Guardrail Post
(Qty. 1)



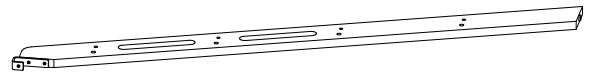
R- Guardrail Support
(Qty. 2)



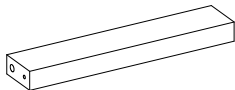
S- Upper Mattress Support Slats
(Qty. 1)



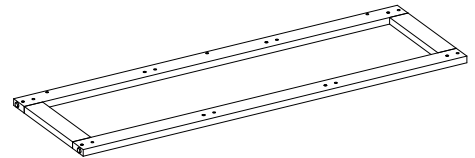
T- Left Ladder Support
(Qty. 1)



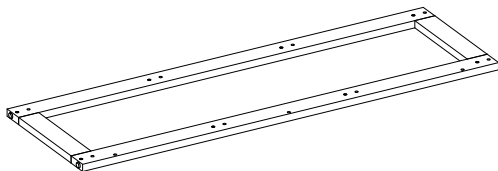
U- Right Ladder Support
(Qty. 1)



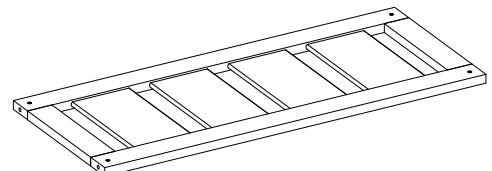
V- Ladder Step (Qty. 4)



W- Bookshelf Left Side (Qty. 1)



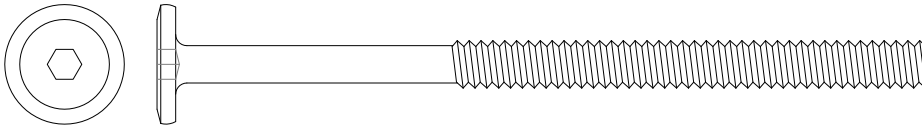
X- Bookshelf Right Side (Qty. 1)



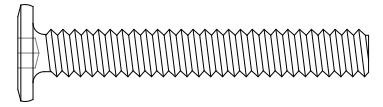
Y- Bookshelf Shelf (Qty. 4)

Parts and Hardware List

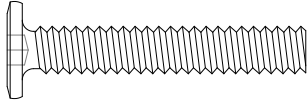
Please read completely through the instructions and verify that all listed parts and hardware are present before beginning assembly.



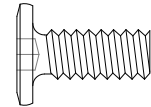
(1) 1/4" x 100 mm Bolt
(Qty. 8+1 extra)



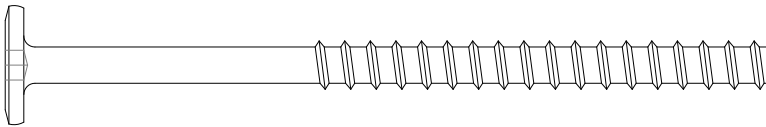
(2) 1/4" x 45 mm Bolt
(Qty. 8+1 extra)



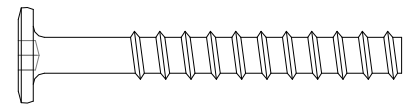
(3) 1/4" x 38 mm Bolt
(Qty. 2+1 extra)



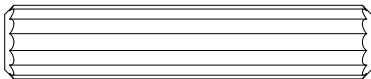
(4) 1/4" x 15 mm Bolt
(Qty. 32+1 extra)



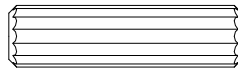
(5) Ø6.5 mm x 100 mm Tapping Bolt
(Qty. 24+1 extra)



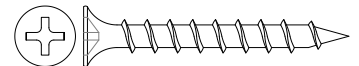
(6) Ø6.5 mm x 48 mm Tapping Bolt
(Qty. 20+1 extra)



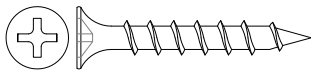
(7) Ø10 x 50 mm Wood Dowel
(Qty. 40+2 extra)



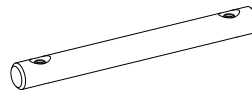
(8) Ø8 x 30 mm Wood Dowel
(Qty. 16+1 extra)



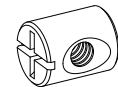
(9) Ø4 mm x 35 mm Screw
(Qty. 14+1 extra)



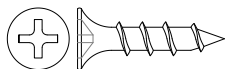
(10) Ø4 mm x 30 mm Screw
(Qty. 6+1 extra)



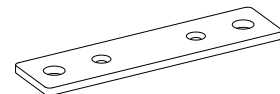
(11) Bed Connector Pin
(Qty. 4)



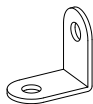
(12) Barrel Nut
(Qty. 8+1 extra)



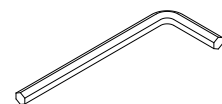
(13) Ø3.5 mm x 19 mm Screw (Qty. 4+1 extra)



(14) Metal Bracket (Qty. 1)



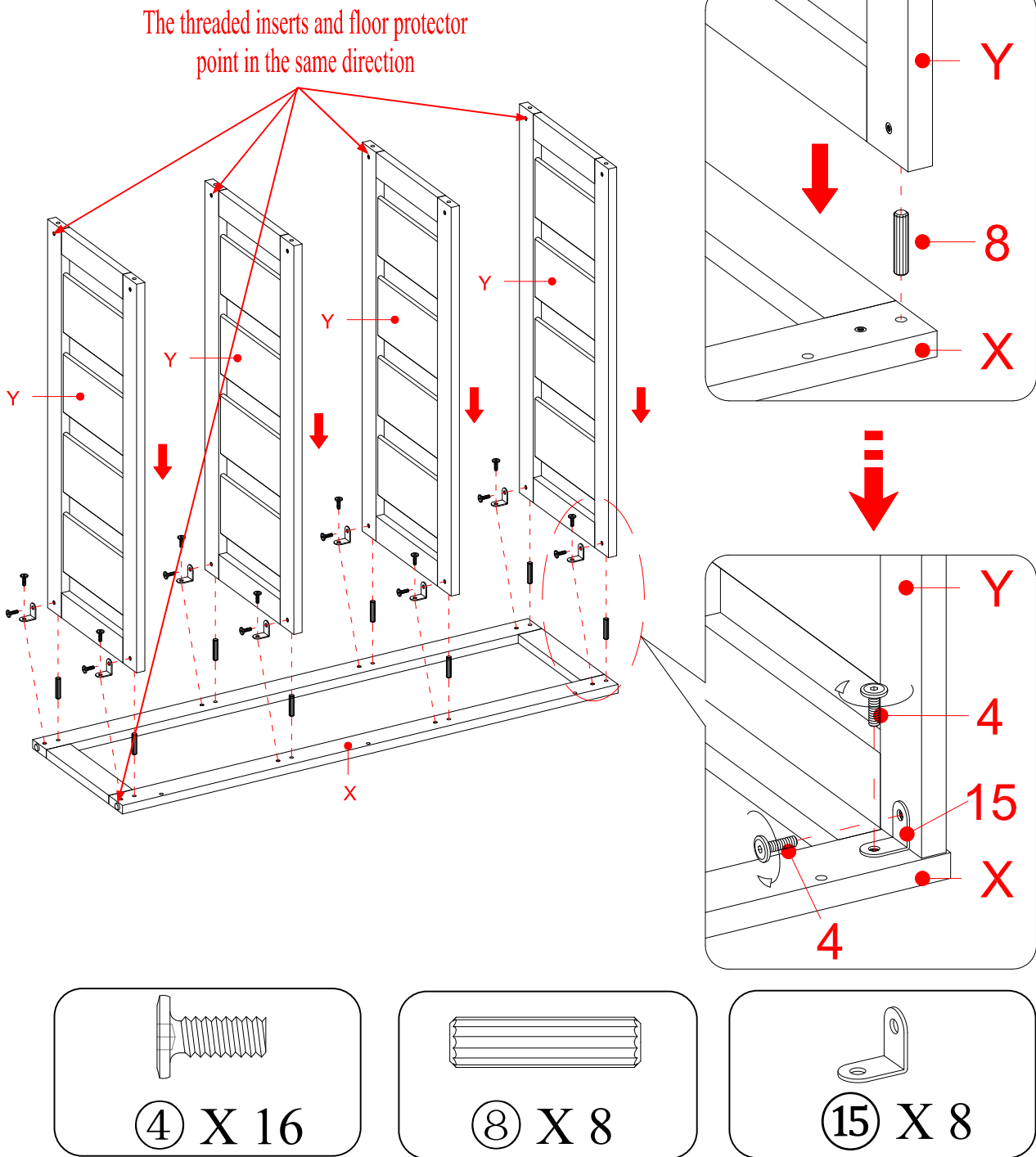
(15) L-shaped Metal Bracket (Qty. 16)



Hex Wrench (Qty. 2)

Tools required: Hex wrench (provided) and Phillips screwdriver (not provided).

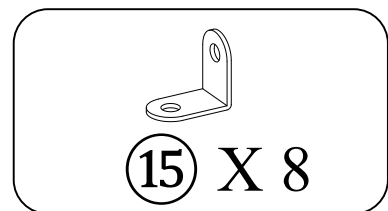
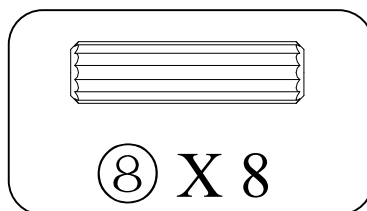
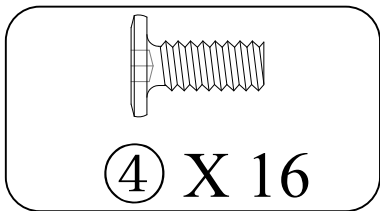
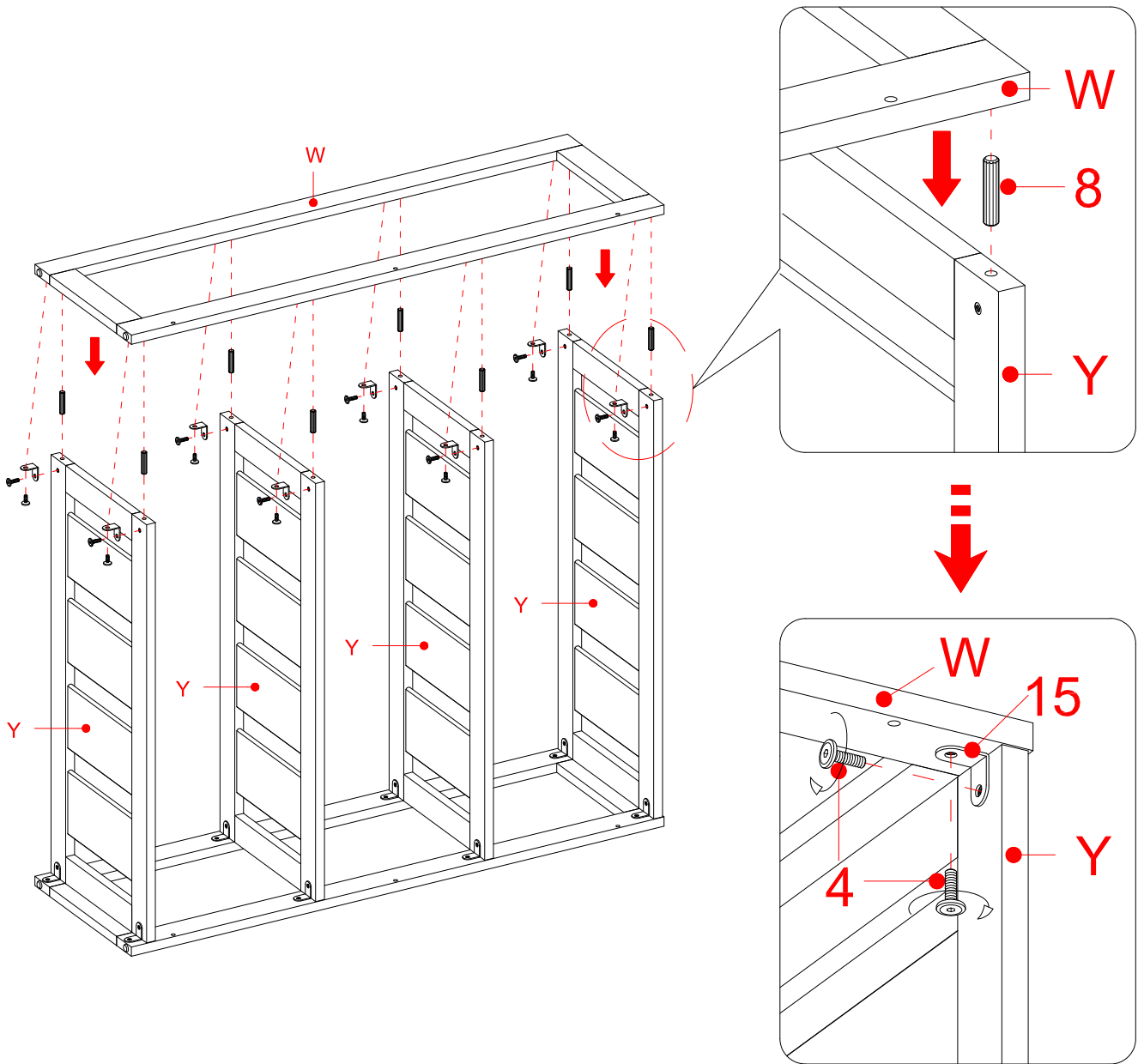
BOOKSHELF ASSEMBLY



NOTE: Please follow the instructions carefully to insure a safe and sturdy bed. Do not fully tighten the bolts until all rails and guardrails are attached.

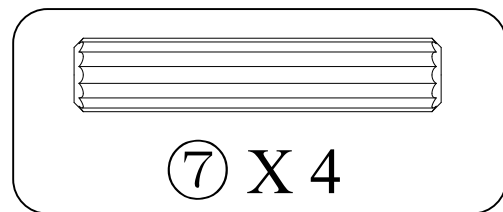
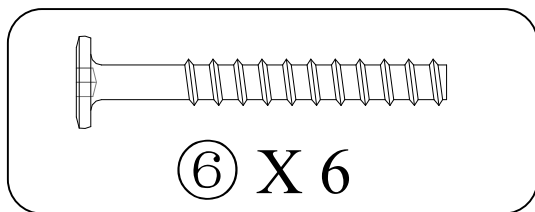
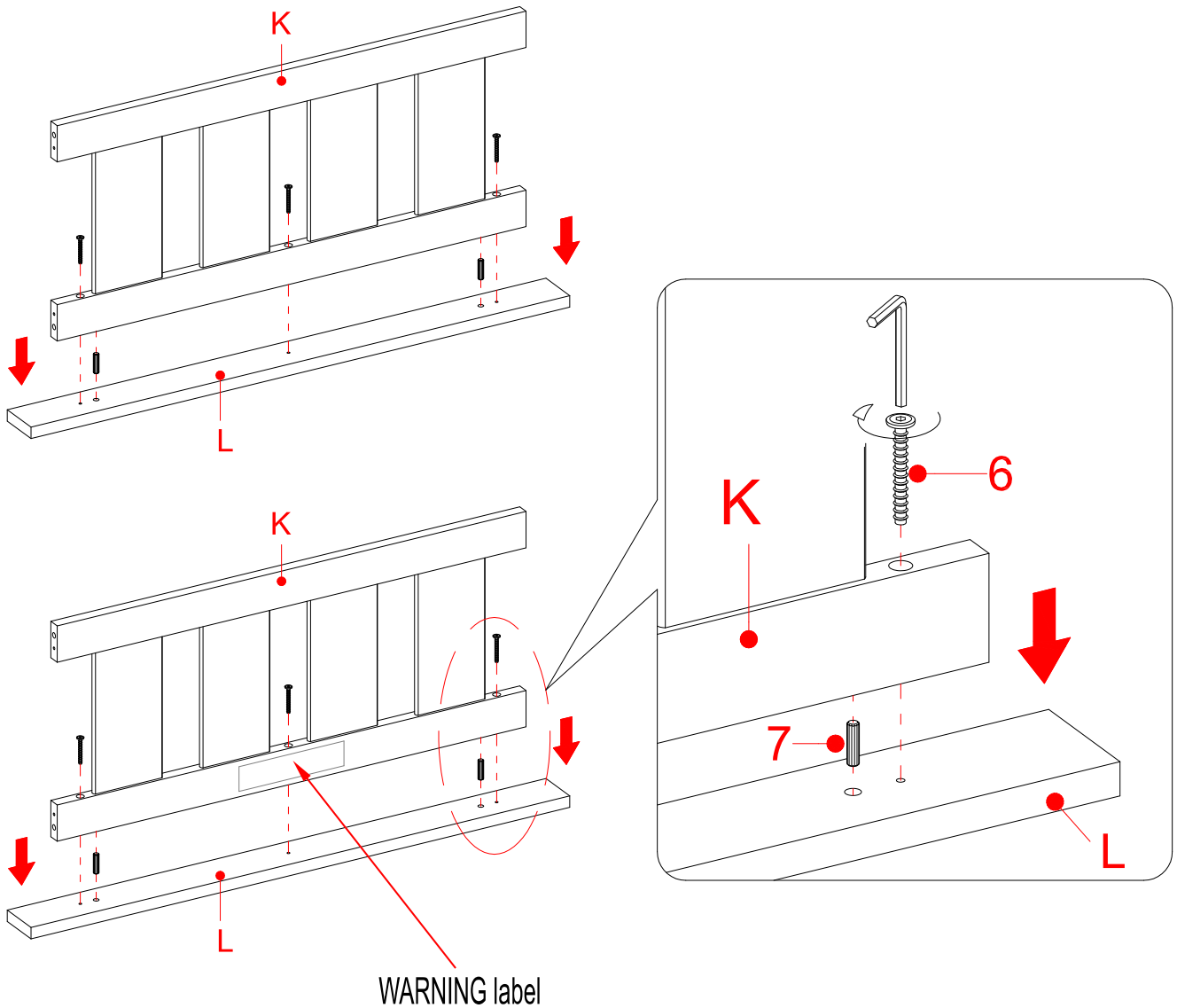
1. Unpack the units and confirm that you have all hardware and required parts.
2. Locate the Bookshelf Right Side (X) on a level and protected surface with the threaded inserts facing up.
3. Insert the 30 mm Wood Dowels (8) into the inner holes of the Shelves (Y) and attach them to the Bookshelf Right Side (X) using the 15 mm Bolts (4) and the Metal Brackets (15). Securely tighten the bolts with the enclosed hex wrench.

BOOKSHELF ASSEMBLY



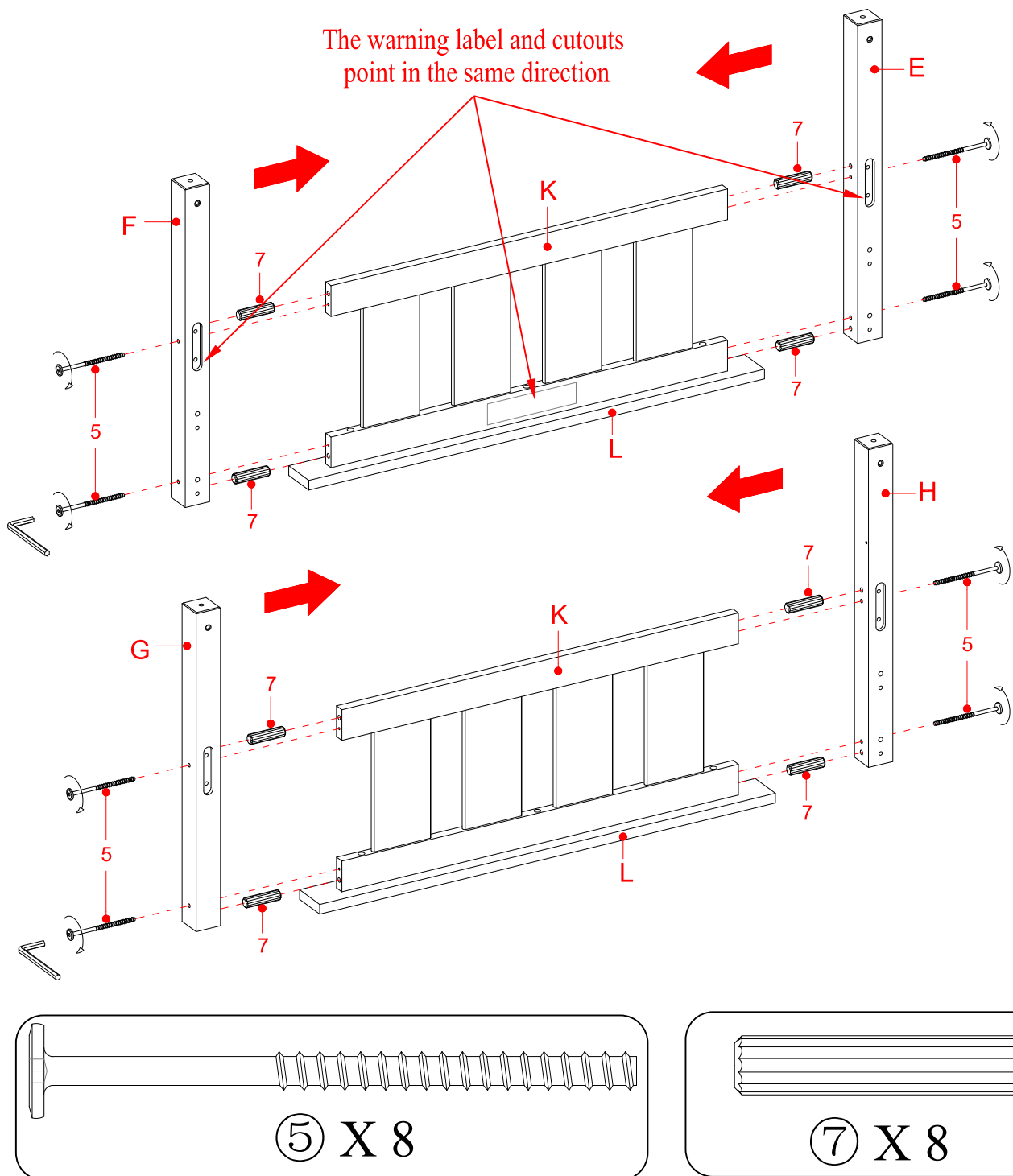
4. Repeat the same procedure to attach the Bookshelf Left Side (W) at the opposite end.
5. Ask for assistance to lift the unit upright.

UPPER BUNK ASSEMBLY



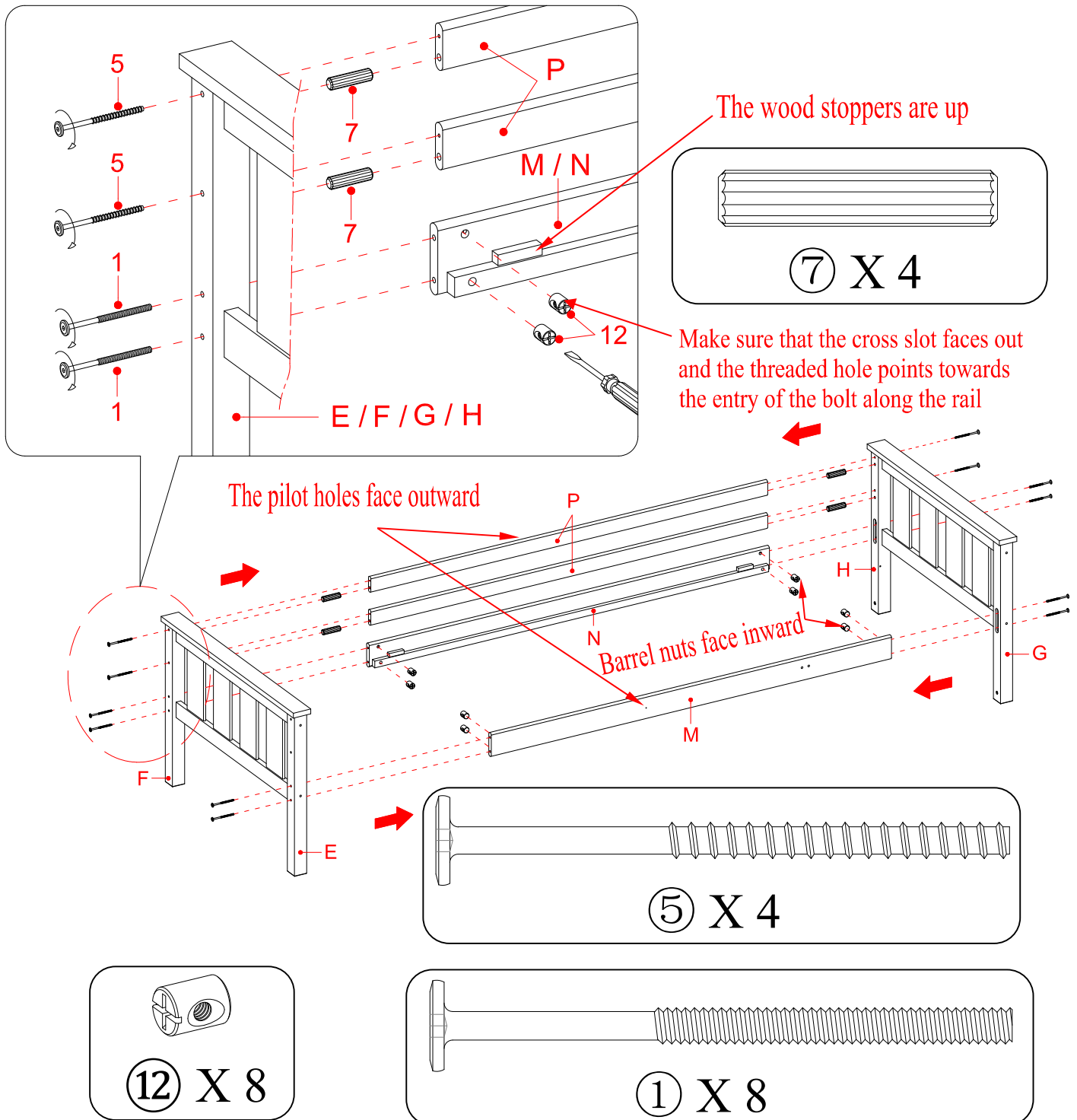
6. Align and attach one Upper Cross Assembly (K) to one Upper Cap Rail (L) using two 50 mm Wood Dowels (7) and three 48 mm Tapping Bolts (6). Securely tighten the bolts with the enclosed L-shaped hex wrench.
7. Repeat the previous step to combine the remaining Upper Cap Rail (L) and Upper Cross Assembly (K) together.

UPPER BUNK ASSEMBLY



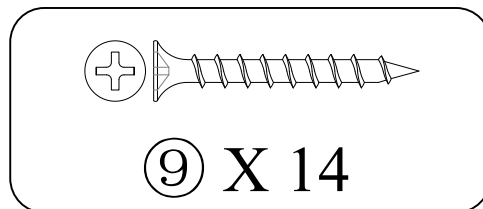
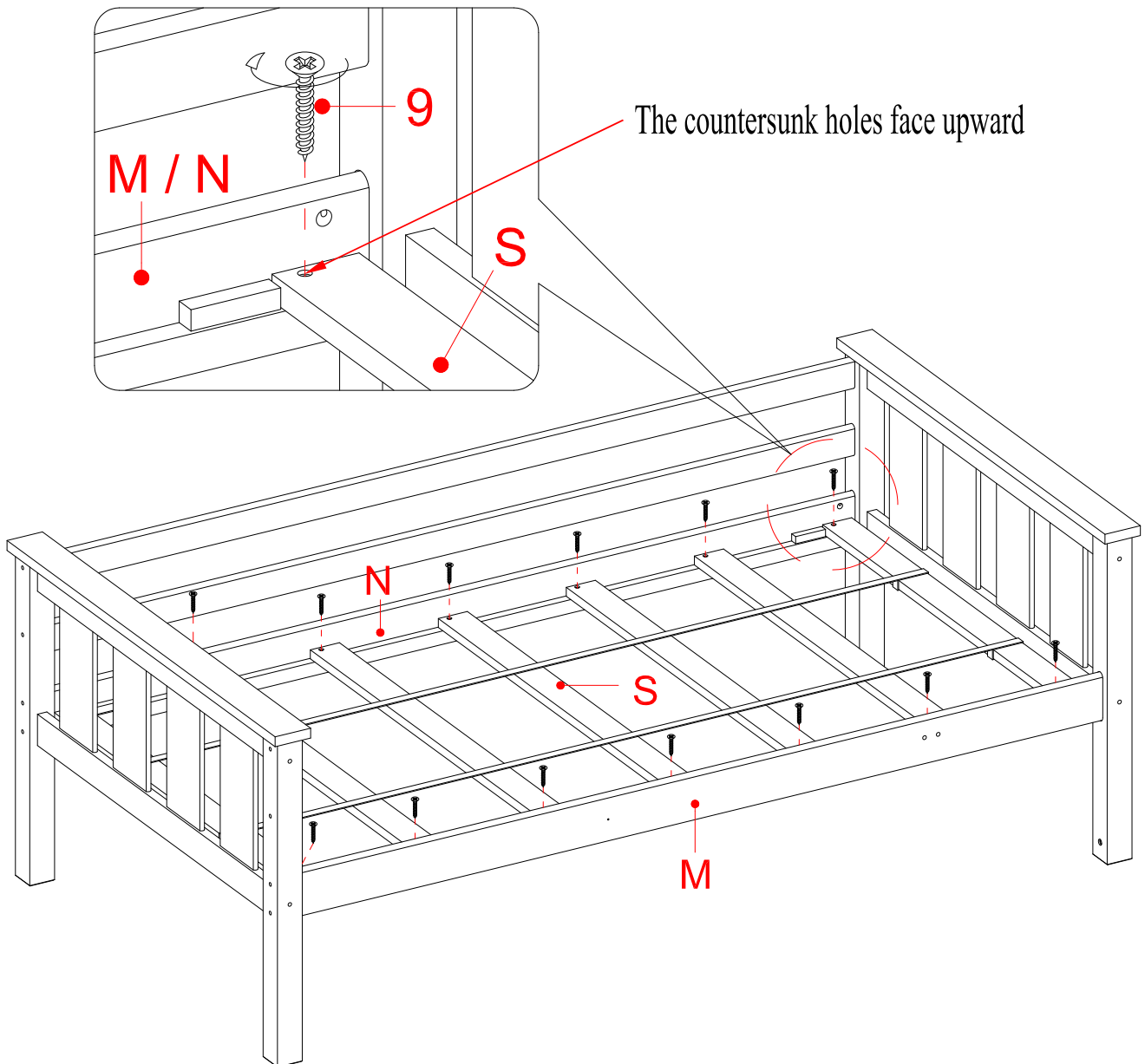
8. Insert four 50 mm Wood Dowels (7) into the end holes of the Upper Cross Assembly with warning label (K). Attach the Upper Headboard Posts (E and F) to the Upper Cross Assembly (K) with four 100 mm Tapping Bolts (5) as shown. Tighten the bolts with the enclosed hex wrench.
9. Repeat the previous step to attach Upper Footboard Posts (G and H) to the other Upper Cross Assembly (K).

UPPER BUNK ASSEMBLY



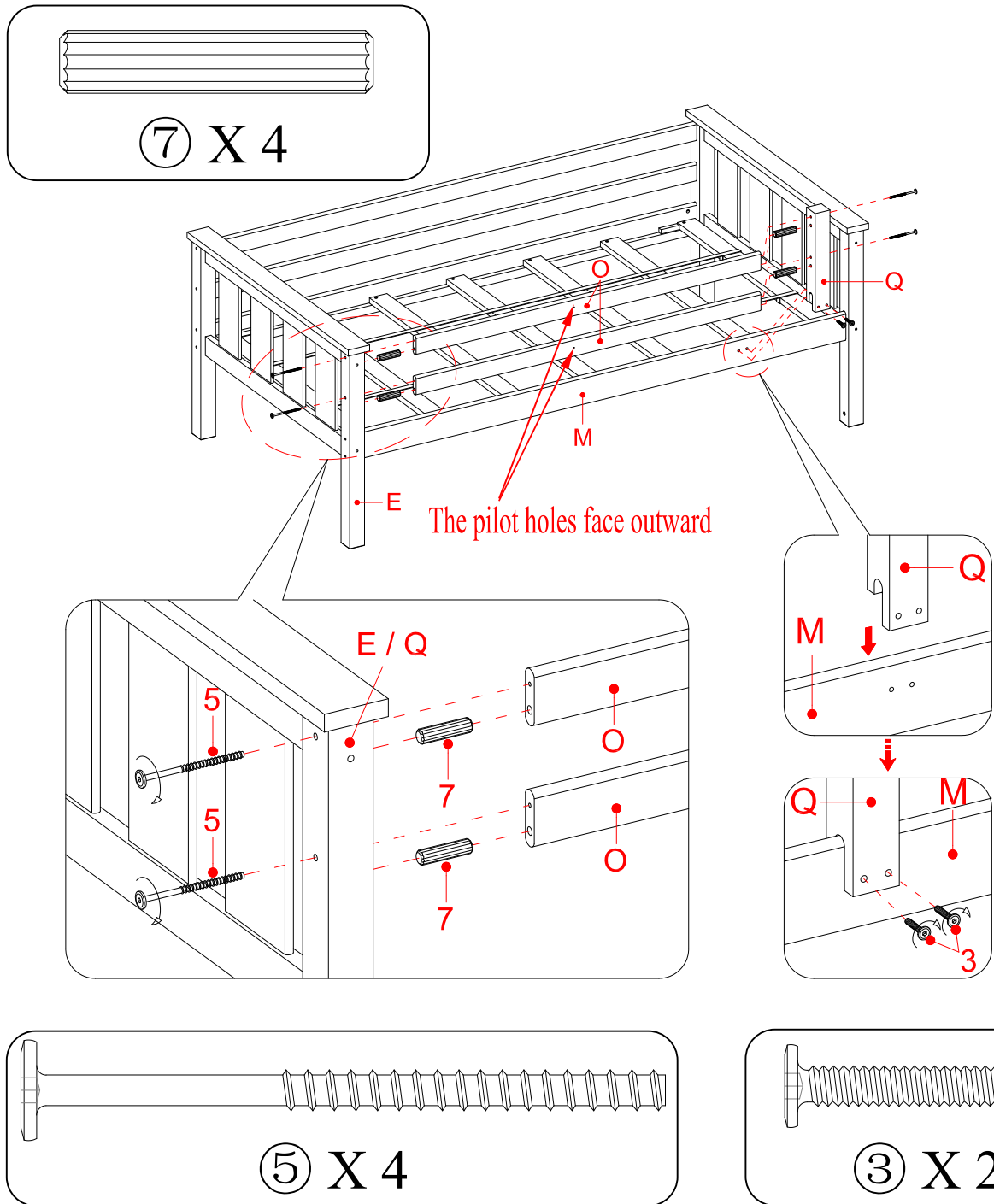
10. Insert the 50 mm Wood Dowels (7) into the drilled large holes of Long Guardrail (P) at both ends. Attach two Long Guardrails (P) between the Upper Posts (F and H) with the 100 mm Tapping Bolts (5).
11. Attach the Mattress Side Rail (N) between the Upper Posts (F and H) with four 100 mm Bolts (1) and four Barrel Nuts (12). Make sure the wood stoppers for slats attached on side rail are up and face inward.
12. Attach the Ladder Side Rail (M) between the Upper Posts (E and G) using four 100 mm Bolts (1) and four Barrel Nuts (12). Make sure the wood stoppers for slat attached on side rail are up and face inward.

UPPER BUNK ASSEMBLY



13. Lay out the Upper Mattress Support Slats (S) between the wood stoppers on the Ladder Side Rail (M) and the Upper Mattress Side Rail (N). Insert and screw 35 mm Screws (9) into the countersunk holes on each slat. Tighten the screws using a Phillips screwdriver.

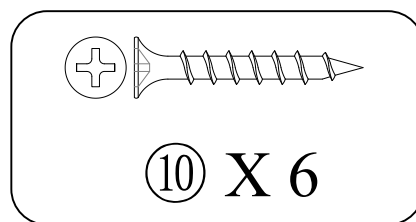
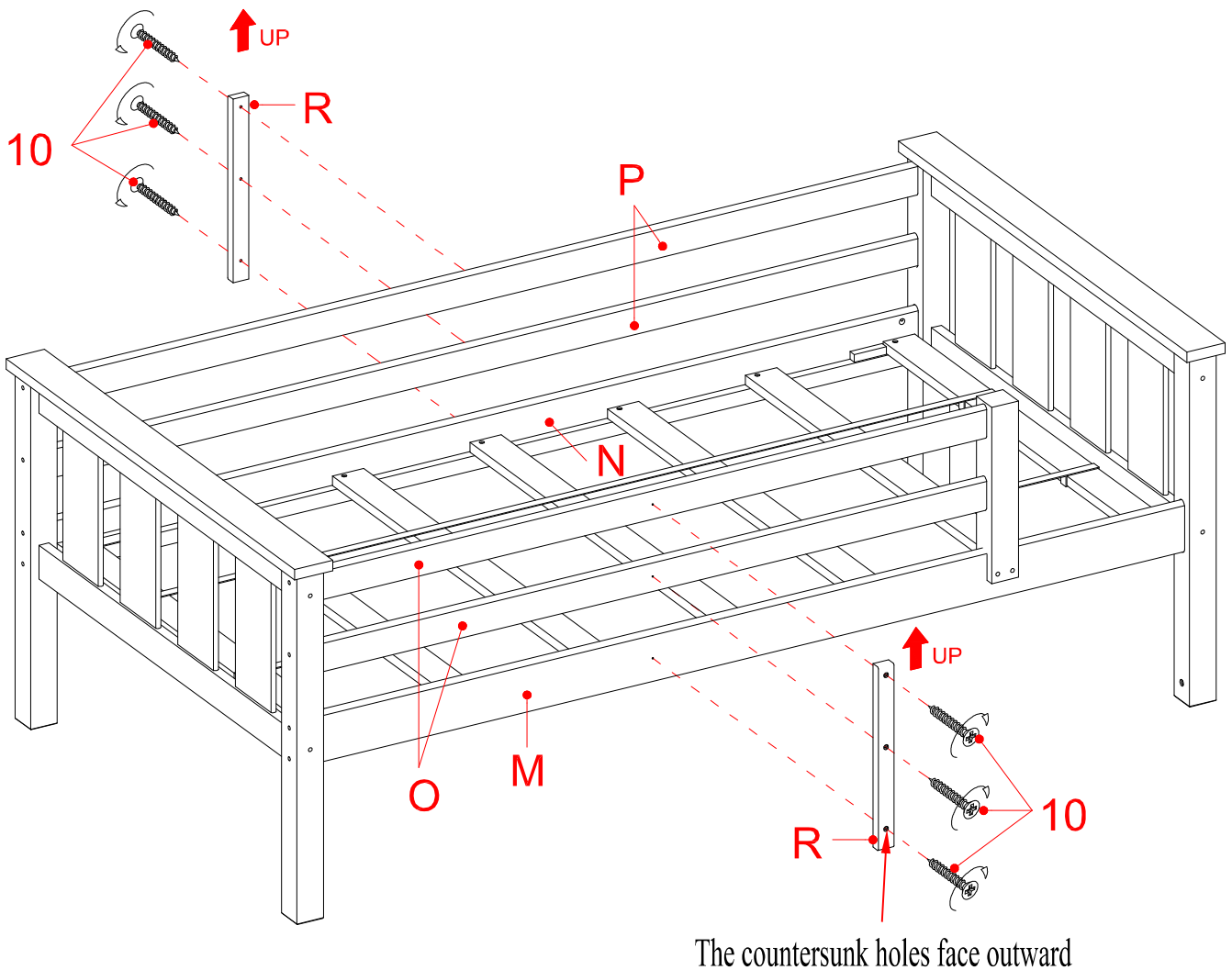
UPPER BUNK ASSEMBLY



14. Insert the 50 mm Wood Dowels (7) into the end large holes of Short Guardrails (O) as a guide. Attach two Short Guardrails (O) between the Upper Headboard Front Post (E) and Front Guardrail Post (Q) with four 100 mm Tapping Bolts (5).

15. Fasten the Front Guardrail Post (Q) to the Ladder Side Rail (M) with two 38 mm Bolts (3), using the enclosed hex wrench.

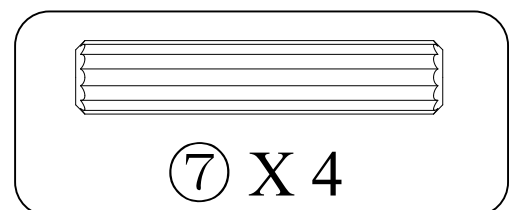
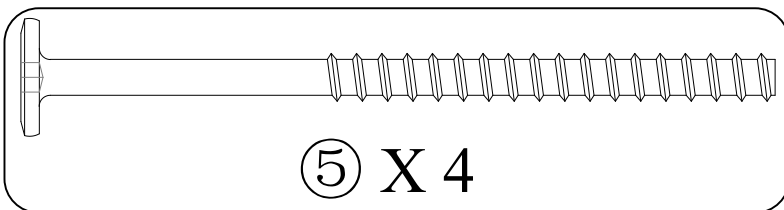
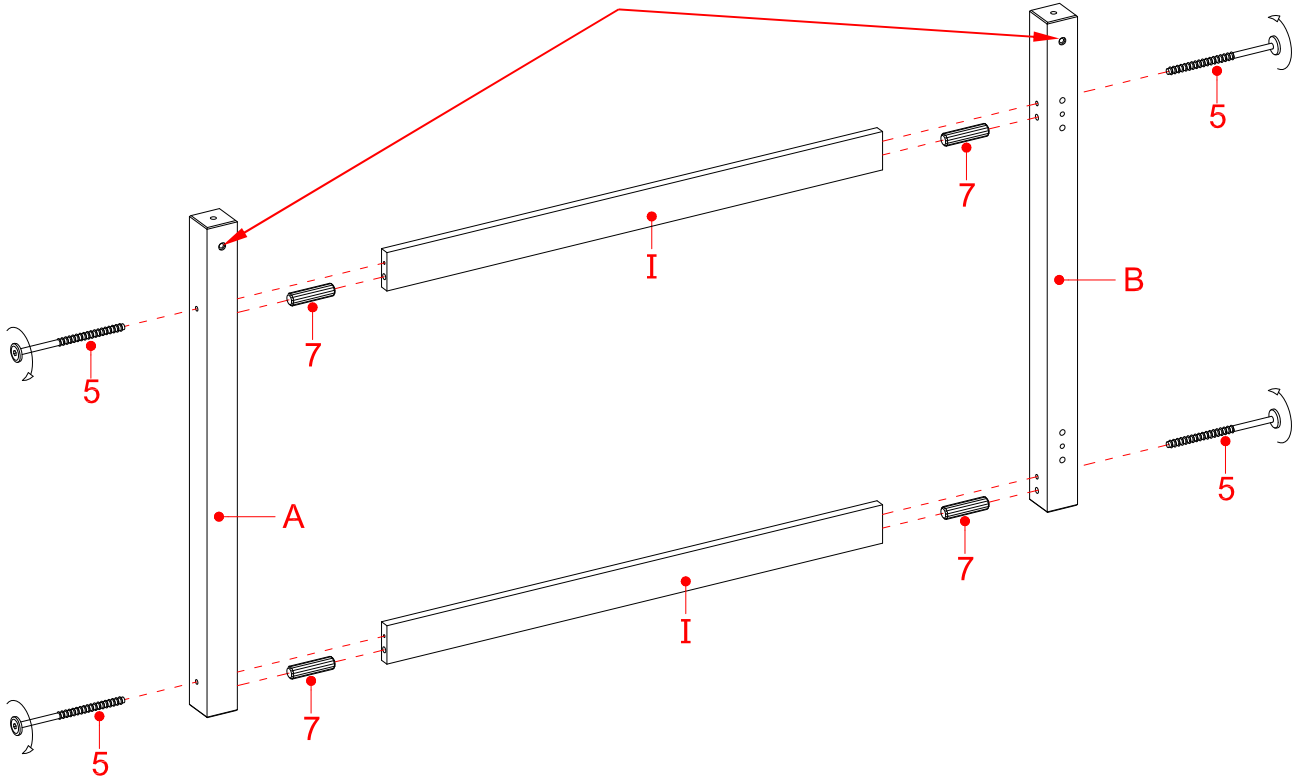
UPPER BUNK ASSEMBLY



16. With the pilot holes as a guide, align and attach one Guardrail Support (R) to the center of the Long Guardrails (P) and the Upper Mattress Side Rail (N) by using three 30 mm Screws (10) through the countersunk holes and screw into place.
17. Repeat the same procedure to attach the other Guardrail Support (R) to the Short Guardrails (O) and the Ladder Side Rail (M).

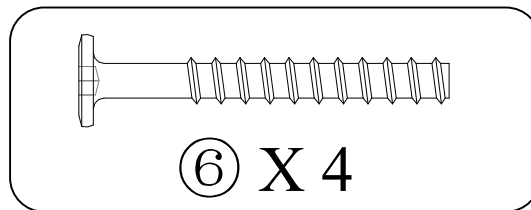
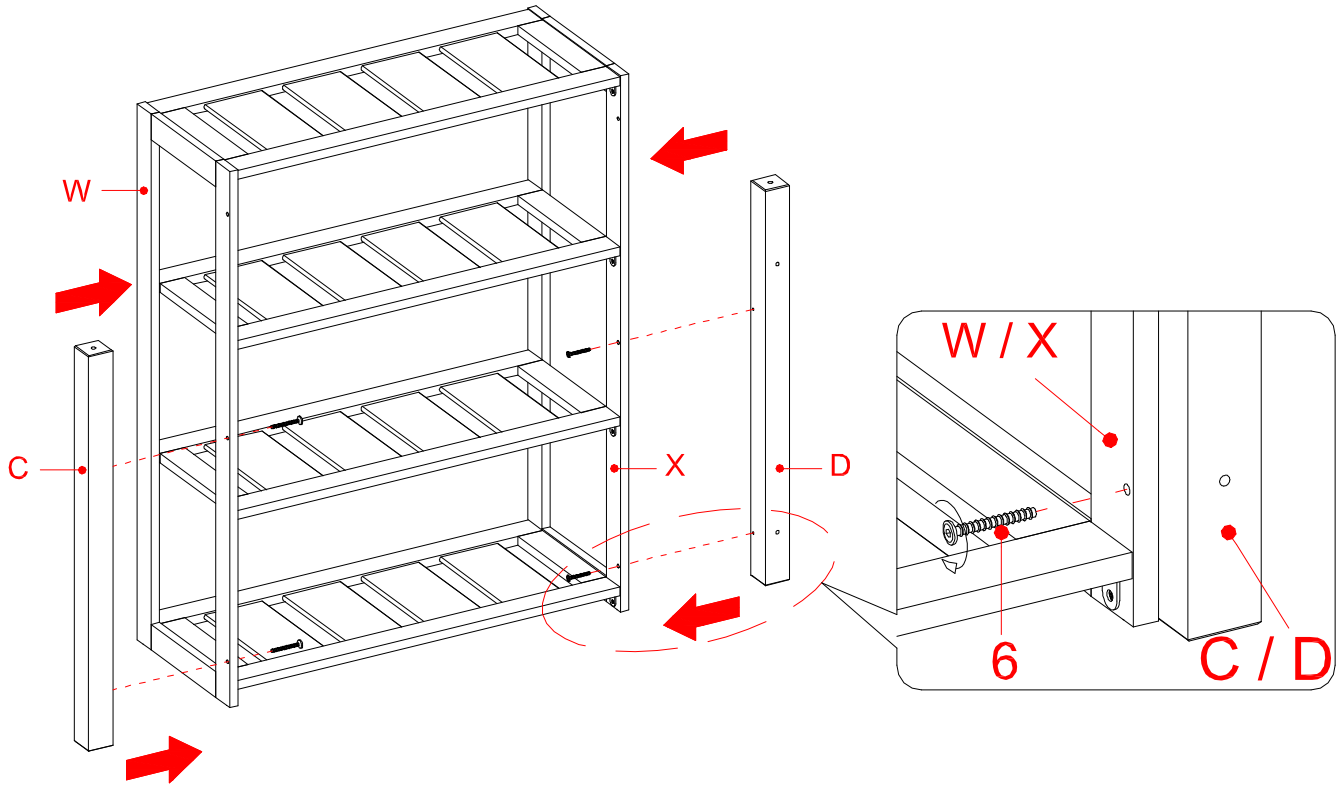
LOWER BUNK ASSEMBLY

The pre-drilled holes
point in the same direction



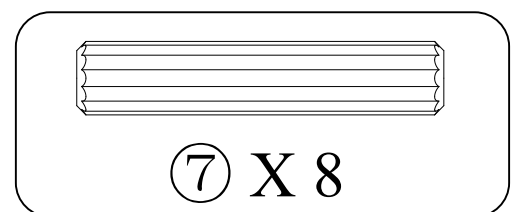
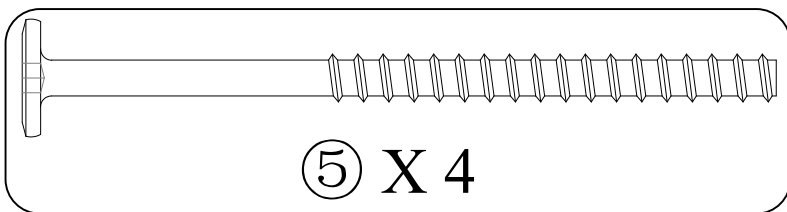
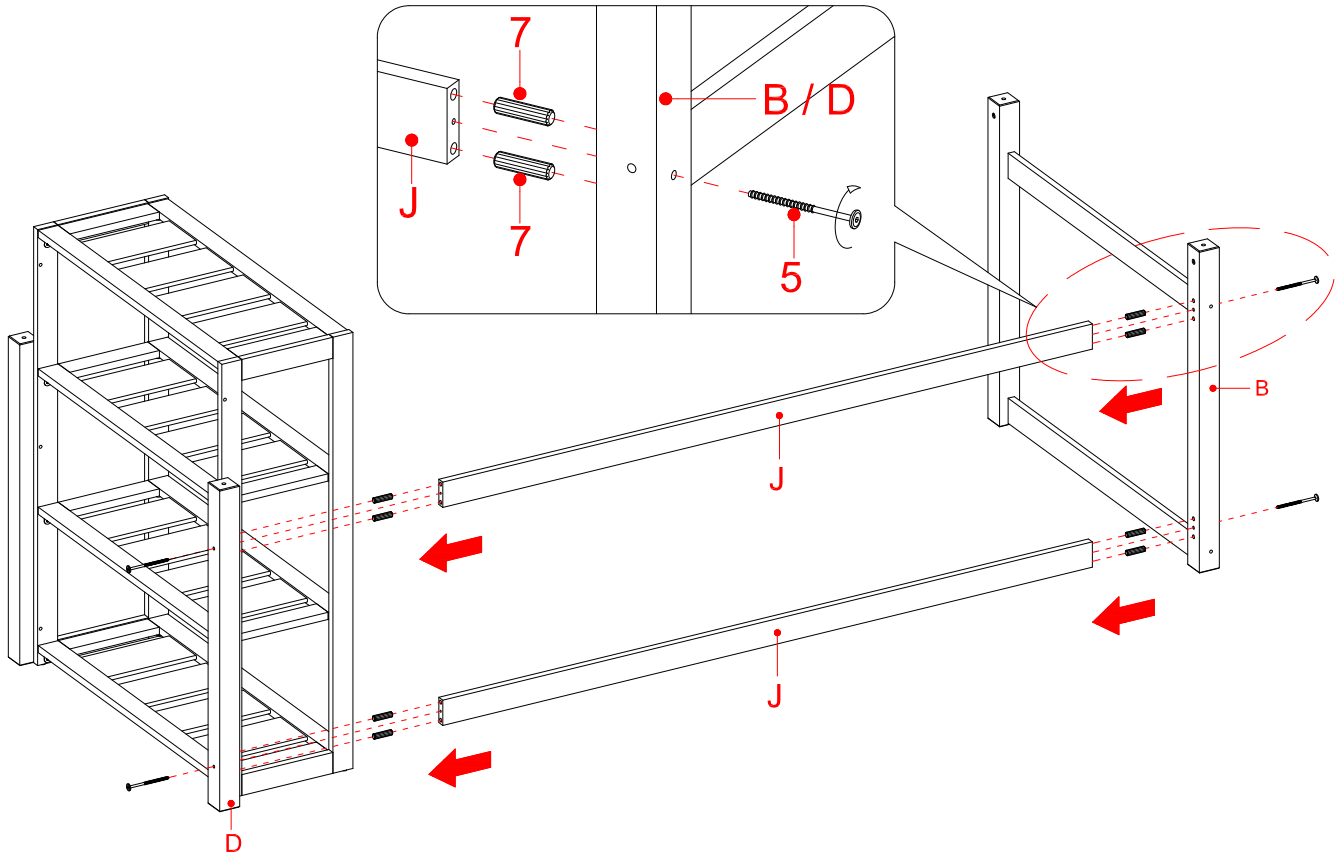
18. Insert four 50 mm Wood Dowels (7) into the end holes of two Lower Side Rails (I) and attach them between the Lower Posts (A and B) with four 100 mm Tapping Bolts (5). Tighten the bolts with the enclosed hex wrench.

LOWER BUNK ASSEMBLY



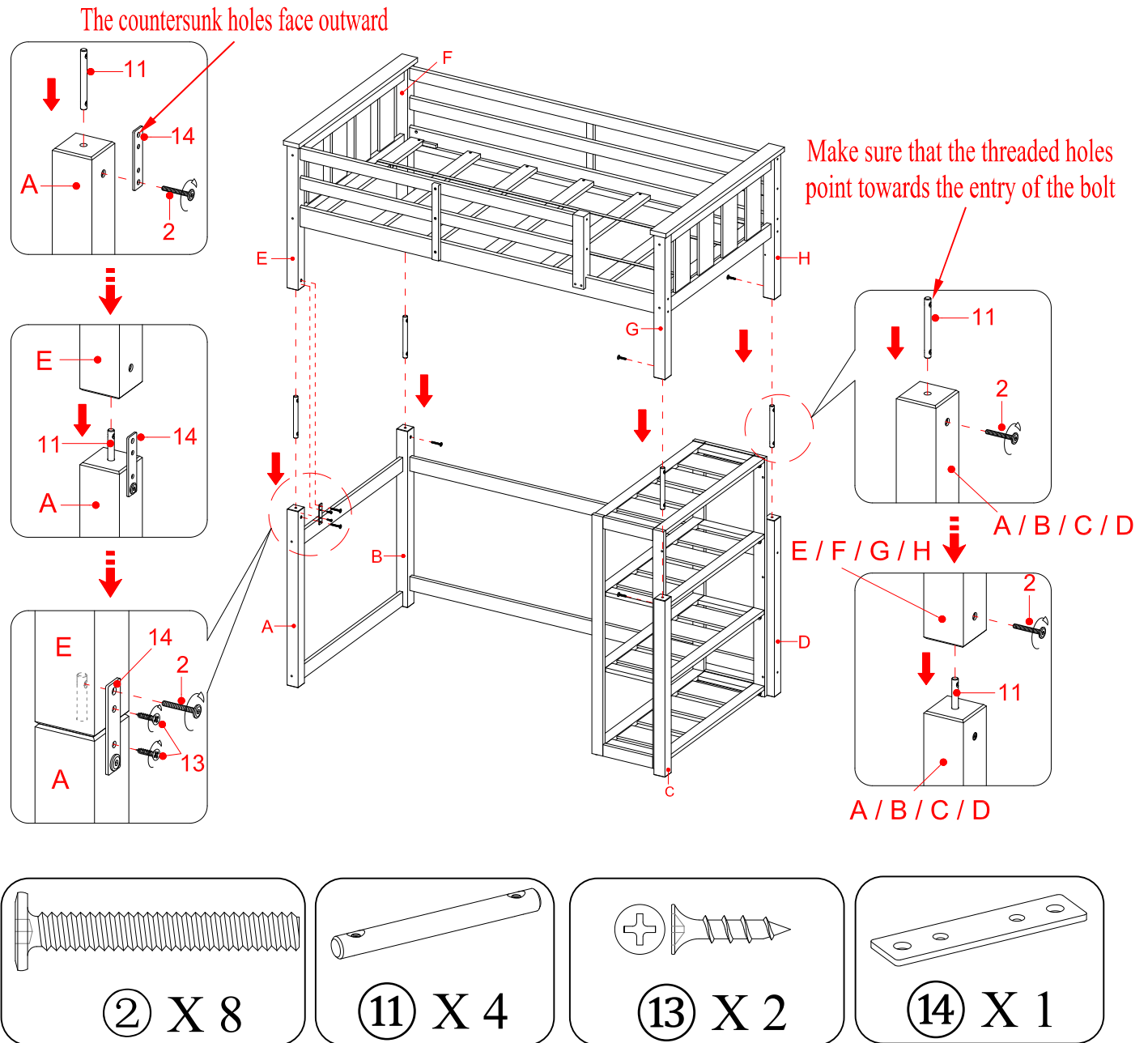
19. Align and attach the Lower Footboard Front Post (C) to the Bookshelf Left Side (W) by inserting the 48 mm Tapping Bolts (6) through the pre-drilled holes on the Bookshelf Left Side (W) and screw into the post.
20. Attach the Lower Footboard Back Post (D) to the Bookshelf Right Side (X) with the 48 mm Tapping Bolts (6).

LOWER BUNK ASSEMBLY



21. Insert eight 50 mm Wood Dowels (7) into the end large holes of two Lower Back Rails (J). Attach the Back Rails (J) between the Lower Back Posts (B and D) by using four 100 mm Tapping Bolts (5). Tighten the bolts with the provided hex wrench.

ASSEMBLY OF THE BUNK BED



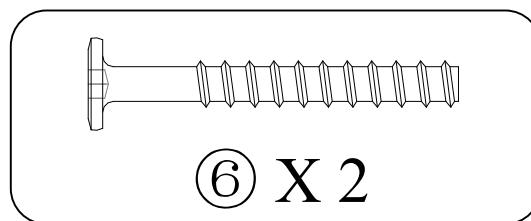
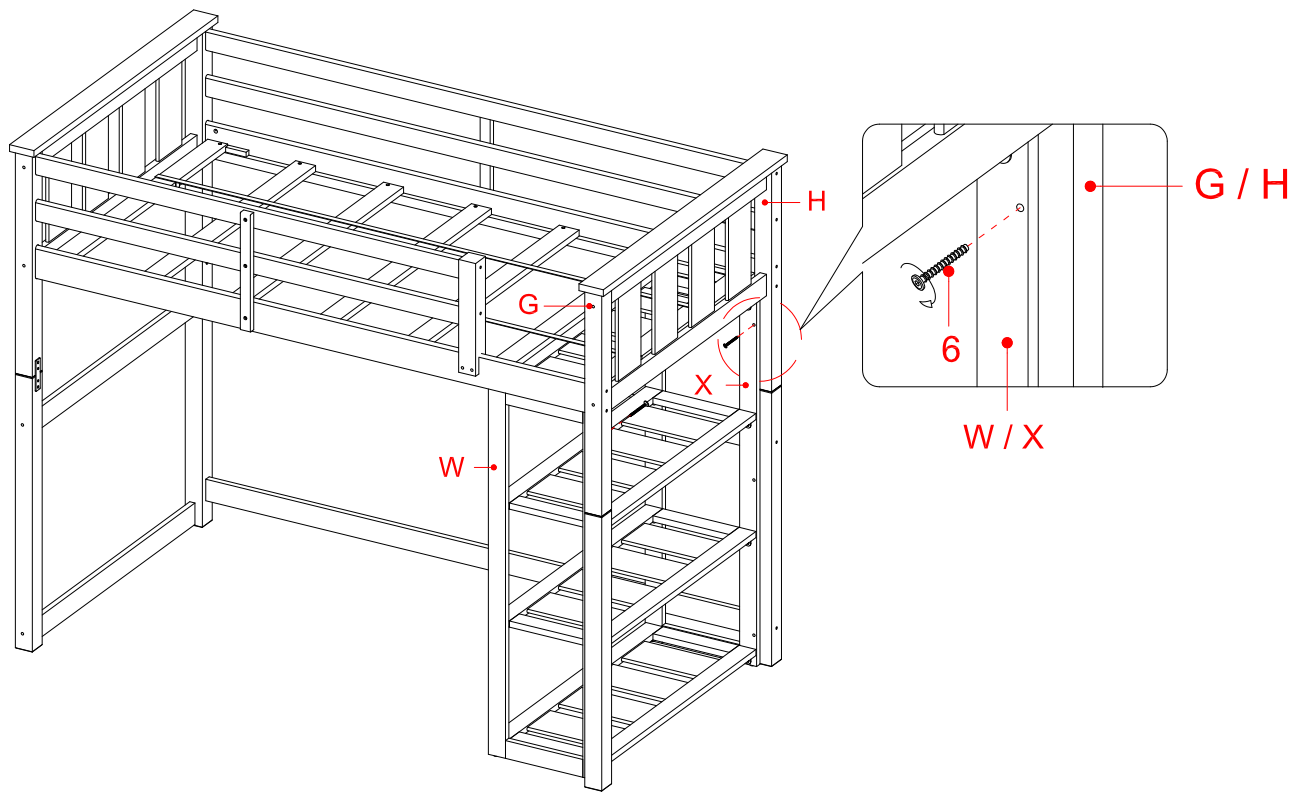
22. Now, place the two assembled bunks where you want to place your loft bed.

23. Insert four Bed Connector Pins (11) into the Lower Posts (A, B, C and D) and secure them in place with the 45 mm Bolts (2). When attaching the Connector Pin (11) to Lower Headboard Front Post (A), you will need to insert one 45 mm Bolt (2) through the bottom hole of the Metal Bracket (14) and screw into the threaded hole of Connector Pin.

24. Now, ask for assistance to stack the Upper Bunk onto the Bed Connector Pins (11) on the Lower Posts and fasten the Upper Posts (E, F, G and H) in place with four 45 mm Bolts (2). Proceed to insert two 19 mm Screws (13) through the countersunk holes of Metal Bracket (14) and securely screw into place.

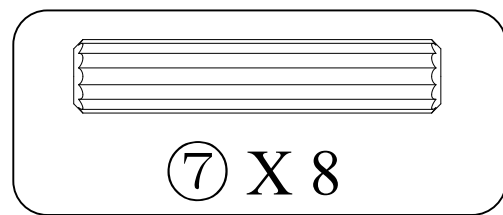
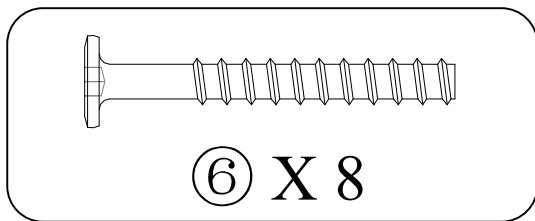
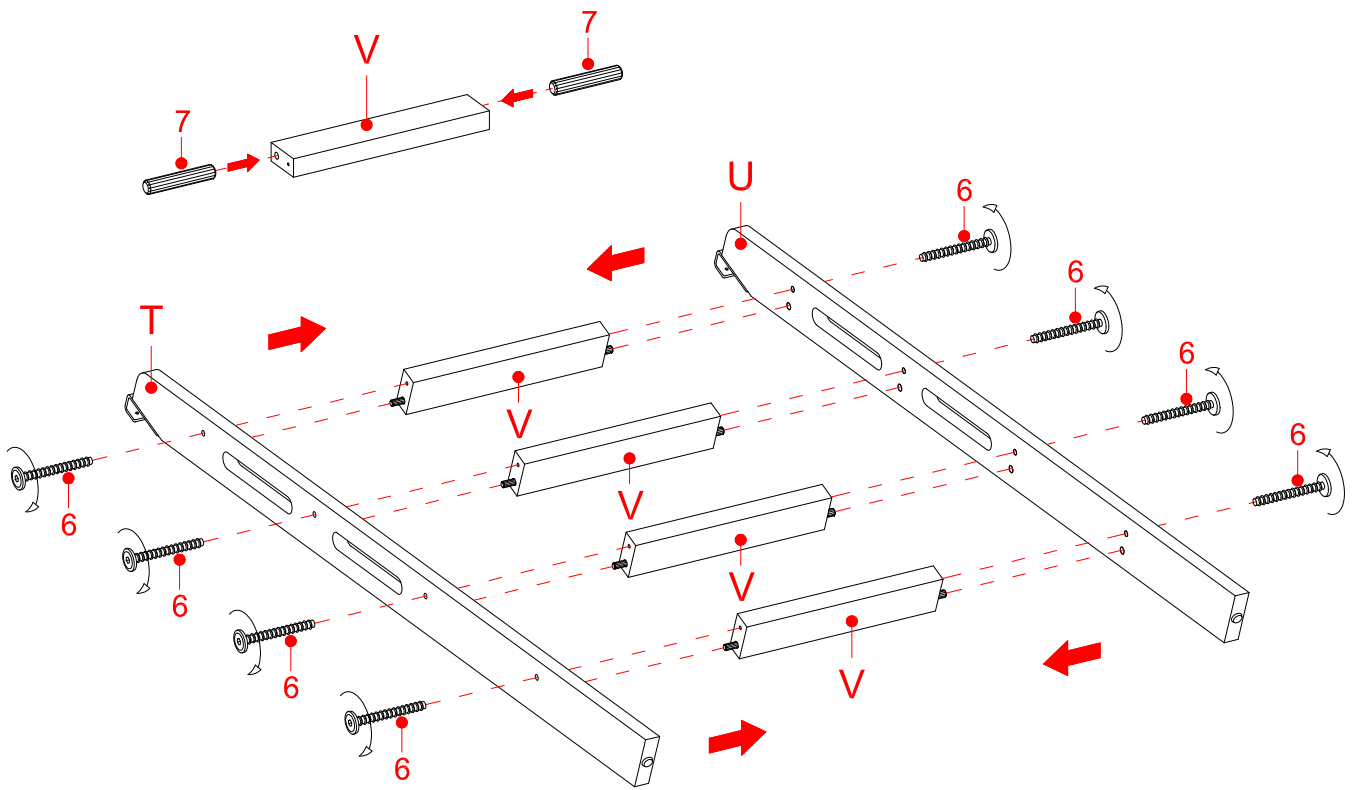
NOTE: Make sure that the Upper Bunk sits completely on top of the posts and the pins go all the way, not leaving any gaps.

ASSEMBLY OF THE BUNK BED



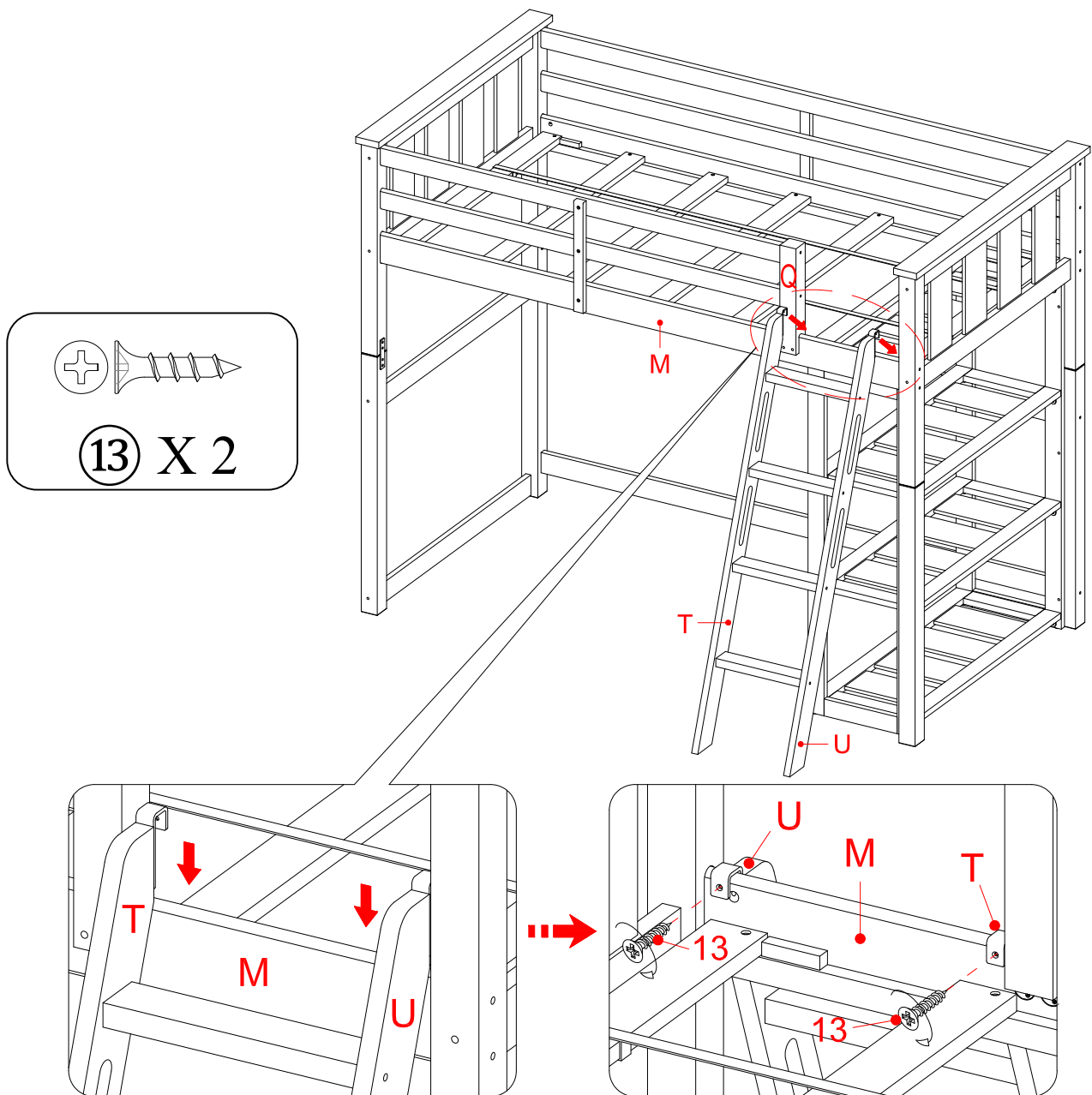
25. Fasten the Bookshelf Side Panels (W and X) to the Upper Footboard Posts (G and H) with two 48 mm Tapping Bolts (6).

ASSEMBLY OF THE LADDER



26. Insert two 50 mm Wood Dowels (7) into the large holes of each Ladder Steps (V) at both ends.
27. Attach Left and Right Ladder Supports (T and U) to the Ladder Steps (V) using the 48 mm Tapping Bolts (6). Securely tighten all bolts with the enclosed hex wrench.

ASSEMBLY OF THE LADDER



28. Hook the Ladder securely over the top of the Ladder Side Rail (M), between the Upper Footboard Front Post (G) and the Front Guardrail Post (Q) in the opening provided. Secure the Ladder Hooks in place by using two 19 mm Screws (13).

ONLY USE LADDER IN THIS LOCATION AND SECURE WITH 2 SCREWS. PLEASE MAKE SURE YOU INSTALL THE LADDER AGAINST THE FRONT GUARDRAIL POST.

Care and Maintenance

- Use a soft, clean cloth that will not scratch the surface when dusting.
- Use of furniture polish is not necessary. Should you choose to use polish, test first in an inconspicuous area.
- Using solvents of any kind on your furniture may damage the finish.
- Never use water to clean your furniture as it may cause damage to the finish.
- Always use coasters under beverage glasses and flowerpots.
- Liquid spills should be removed immediately. Using a soft, clean cloth, blot the spill gently. Avoid rubbing.
- Always use protective pads under hot dishes and plates. Heat can cause chemical changes that may create spotting within the furniture finish.
- In the event that your furniture is stained or otherwise damaged during use, we recommend that you call a professional to repair your furniture.
- Check bolts/screws periodically and tighten them if necessary.

Further Advice about Wood Furniture Care

It is best to keep your furniture in a climate controlled environment. Extreme temperature and humidity changes can cause warping, shrinking and splitting of wood. It is advised to keep furniture away from direct sunlight as may damage the finish.

Proper care and cleaning at home will extend the life of your purchase. Following these important and helpful tips will enhance your furniture as it ages.

We hope you enjoy your purchase for many years.
Thank you for your purchasing!

QUALITY GUARANTEE

We are confident that you will be delighted with your Whalen Furniture purchase.

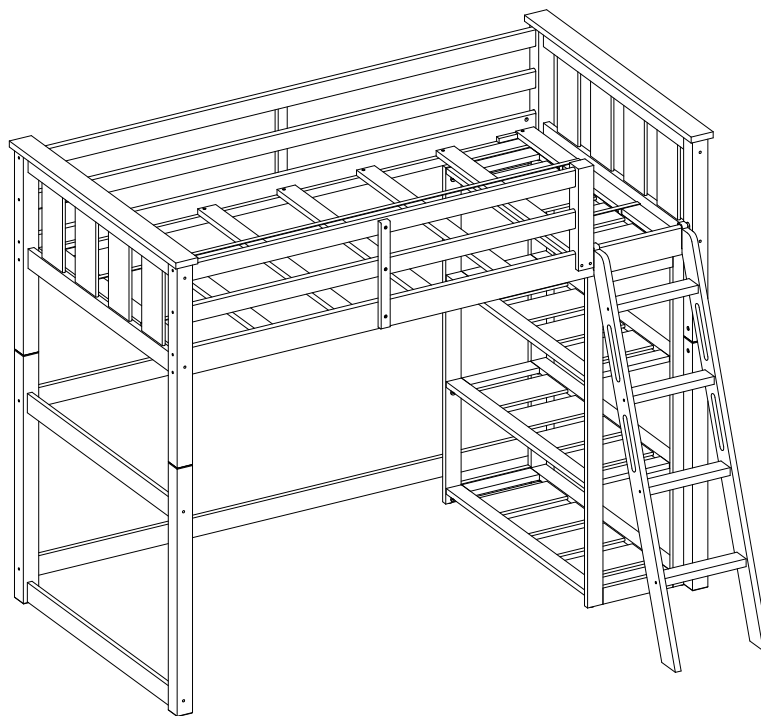
Should this product be defective in workmanship or materials or fail under normal use, we will repair or replace it for up to one (1) year from date of purchase. Every Whalen Furniture product is designed to meet your highest expectations. We guarantee that you will immediately see the value of our fine furniture.

This warranty gives you specific legal rights and you may also have other rights which vary from State to State.

Customer Service: 866-942-5362
8:30 a.m. - 4:30 p.m., PST, Monday to Friday
www.whalenstyle.com

Cama superior individual con librero Kane

Serie # BH18-084-097-26	Moca
# BH18-084-097-27	Blanco
# BH18-084-097-28	Gris
# BHW-10010	Negro
# BHW-10012	Natural



ENSAMBLE REQUERIDO POR ADULTOS

Si tiene alguna pregunta relacionada con el montaje o si faltan piezas, NO devuelva este producto al establecimiento donde lo adquirió. Por favor llame a nuestro número de servicio al cliente y tienen sus instrucciones y lista de piezas listo para proporcionar el nombre del modelo, el nombre o el número de parte de la fábrica:

866-942-5362

Hora estándar del Pacífico: 8:30 am - 4:30 pm, de Lunes - Viernes

O visite nuestro sitio web las 24 horas del día, 7 días a la semana para recibir asistencia del producto en www.whalenstyle.com

O por correo electrónico su petición a parts@whalenfurniture.com

**ESTE INSTRUCTIVO CONTIENE INFORMACION IMPORTANTE DE SEGURIDAD.
POR FAVOR LEA Y MANTENGA PARA USO FUTURO.**

Fecha 2021-11-01 Rev. 0001-B

⚠️ ADVERTENCIA

UTILICE SIEMPRE LOS BARANDALES EN AMBOS LADOS LONGITUDINALES DE LA LITERA SUPERIOR. SI VA A COLOCAR LAS LITERAS PEGADAS A LA PARED, EL BARANDAL QUE CORRE A LO LARGO DE LA CAMA SE DEBE COLOCAR CONTRA LA PARED PARA PREVENIR ENCIERROS ENTRE LA CAMA Y LA PARED.

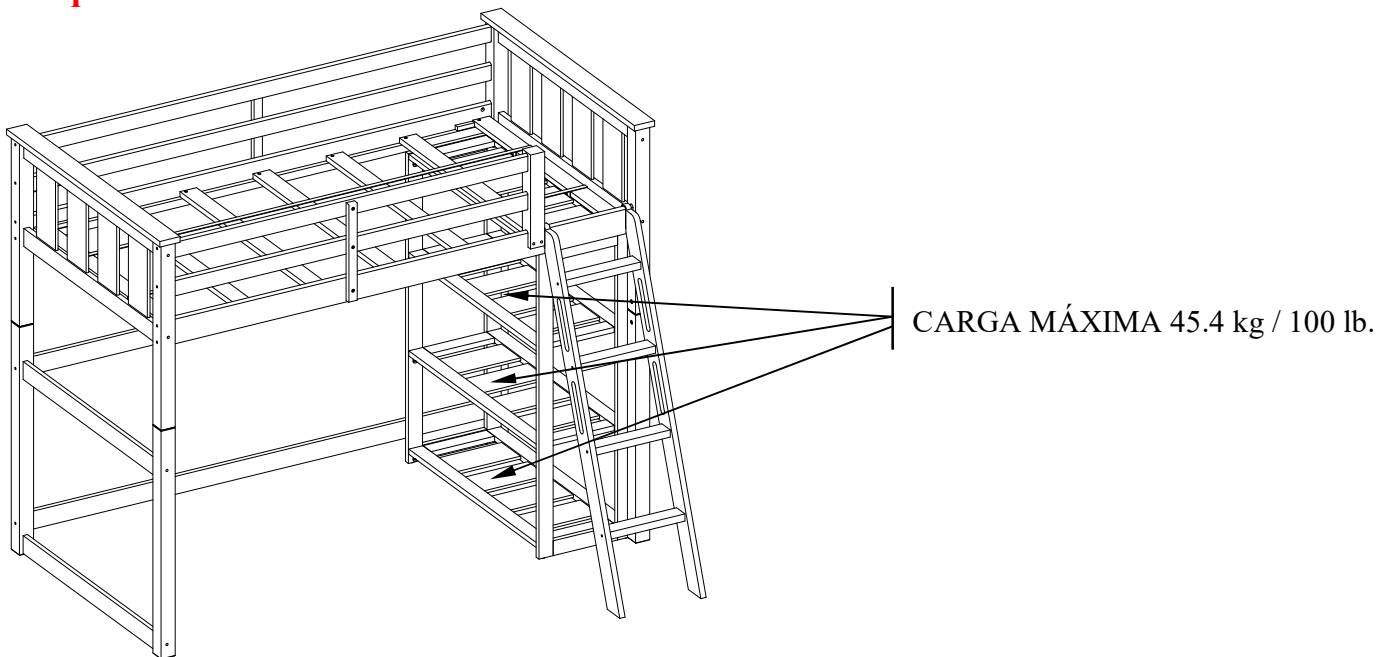
PELIGRO DE ESTRANGULACIÓN – Nunca coloque ni cuelgue cosas en alguna parte de la litera que no estén diseñadas para usarse con la misma; por ejemplo, de manera enunciativa, pero no limitativa, ganchos, cinturones o cuerdas para brincar.

Por seguridad solo una persona debe utilizar la litera superior.

El grosor máximo del colchón no debe exceder 8 pulgadas (20,32 cm). La superficie del colchón debe estar, por lo menos, 5 pulgadas (12,70 cm) debajo de los barandales del borde superior.

Utilice sólo colchón, que es de 74 pulgadas (1,88 m) a 75 pulgadas (1,90 m) de largo y 37 ½ pulgadas (95,25 cm) a 38½ pulgadas (97,79 cm) de ancho en la cama superior.

Las piezas de repuesto, incluyendo barandales adicionales, se pueden obtener de cualquiera de nuestros distribuidores.



IMPORTANT / IMPORTANTE



BILT.

Scan for easy 3D instructions

Escanea para instrucciones fáciles en 3D

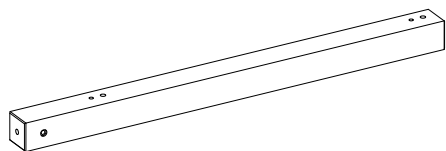
Download on the App Store | GET IT ON Google Play

PARA AYUDAR A PREVENIR LESIONES GRAVES O MORTALES POR ENCIERROS O CAÍDAS

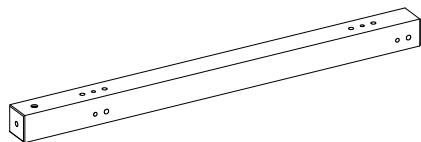
- **Siga la información de advertencia que aparece en la estructura extrema de la litera superior y en la caja. No quite la etiqueta de advertencia de la cama.**
- **Use siempre el tamaño adecuado de soporte para el colchón para ayudar a prevenir la posibilidad de encierro o caídas.**
- **La superficie del colchón debe ser de, por lo menos, 5 pulgadas (12,70 cm) abajo de los barandales del borde superior.**
- **Nunca permita que un niño menor de 6 años de edad duerma en la litera superior.**
- **De manera periódica, revise y asegúrese de que el barandal, la escalera y otros componentes estén en su posición correcta, libres de daños y que todos los conectores estén apretados.**
- **No permita que los niños jueguen al caballito arriba o abajo de la cama y prohíbales brincar sobre la misma.**
- **Siempre utilice la escalera para entrar y salir de la litera superior.**
- **No use partes sustitutas. Contacte al productor o distribuidor para obtener repuestos.**
- **El uso de una lámpara de noche puede proveer mayor precaución de seguridad para el niño que utilice la litera superior.**
- **Utilice siempre los barandales en ambos lados longitudinales de la litera superior. Si va a colocar las literas pegadas a la pared, el barandal que corre a lo largo de la cama se debe colocar contra la pared para prevenir encierros entre la cama y la pared.**
- **No utilice colchones de agua o de flotación.**
- **PELIGRO DE ESTRANGULACIÓN – Nunca coloque ni cuelgue cosas en alguna parte de la litera que no estén diseñadas para usarse con la misma; por ejemplo, de manera enunciativa, pero no limitativa, ganchos, cinturones o cuerdas para brincar.**
- **Por seguridad solo una persona debe utilizar la litera superior.**
- **Conserve estas instrucciones para referencias en el futuro.**

Partes y lista de artículos de ferretería

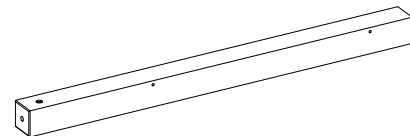
Por favor, lea las instrucciones por completo y verifique que todas las partes y artículos de ferretería listadas estén incluidas antes de iniciar el ensamblaje.



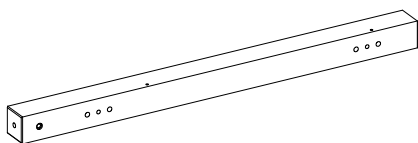
A- Poste frontal cabecera inferior
(Cant. 1)



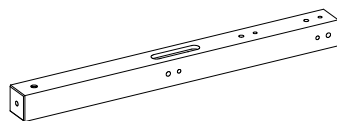
B- Poste posterior cabecera inferior
(Cant. 1)



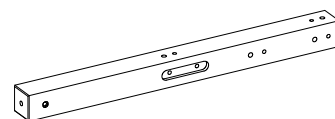
C- Poste frontal piecera inferior
(Cant. 1)



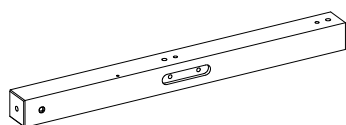
D- Poste posterior piecera inferior
(Cant. 1)



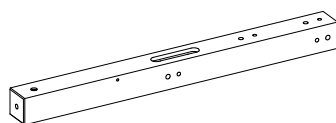
E- Poste frontal cabecera superior
(Cant. 1)



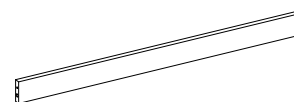
F- Poste posterior cabecera superior
(Cant. 1)



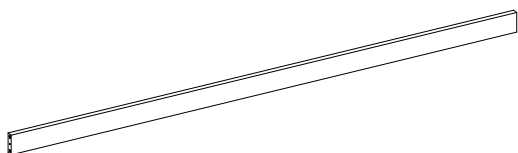
G- Poste frontal piecera superior
(Cant. 1)



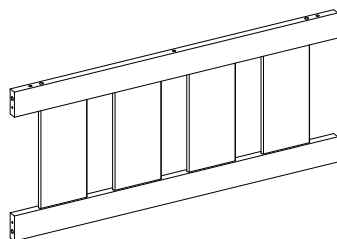
H- Poste posterior piecera superior
(Cant. 1)



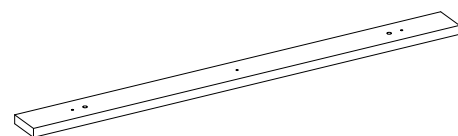
I- Riel lateral inferior
(Cant. 2)



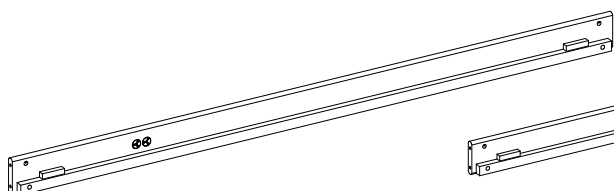
J- Riel posterior inferior
(Cant. 2)



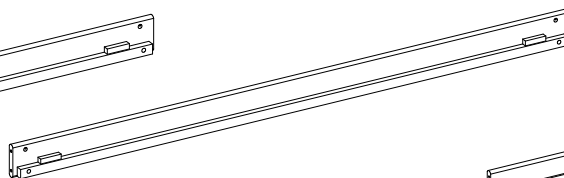
K- Ensamble superior cabecera/piecera
(Cant. 2)



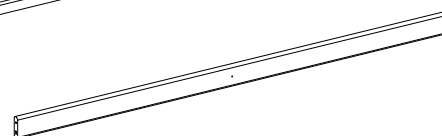
L- Tapa de riel superior
(Cant. 2)



M- Riel lat. superior de escalera
(Cant. 1)



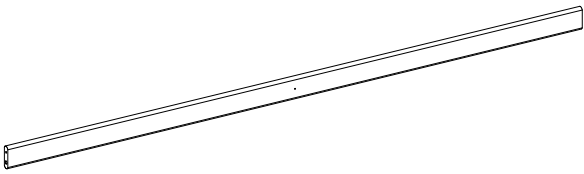
N- Riel lateral superior
(Cant. 1)



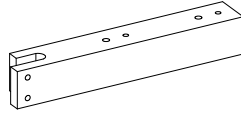
O- Barandal corto
(Cant. 2)

Partes y lista de artículos de ferretería

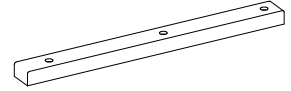
Por favor, lea las instrucciones por completo y verifique que todas las partes y artículos de ferretería listadas estén incluidas antes de iniciar el ensamblaje.



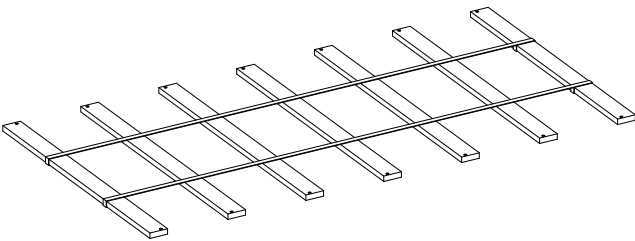
P- Barandal largo
(Cant. 2)



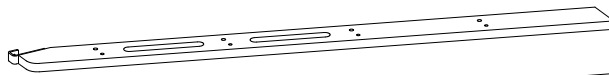
Q- Poste frontal de barandal
(Cant. 1)



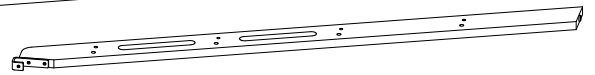
R- Soporte de barandal
(Cant. 2)



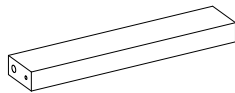
S- Soporte de colchón superior
(Cant. 1)



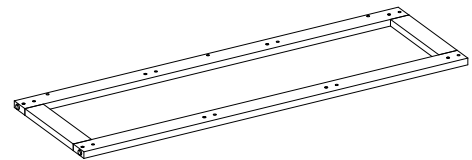
T- Soporte de escalera izquierdo
(Cant. 1)



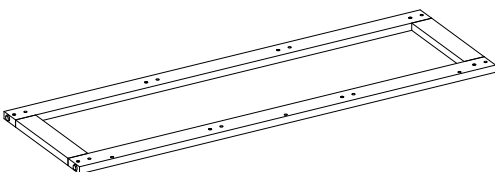
U- Soporte de escalera derecho
(Cant. 1)



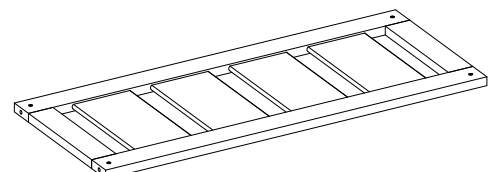
V- Escalón (Cant. 4)



W- Izquierdo de librero (Cant. 1)



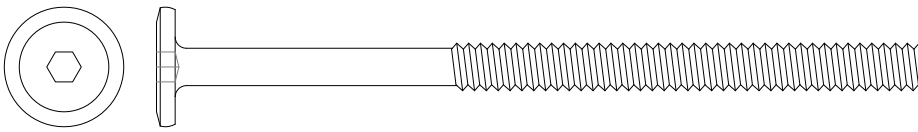
X- Derecho de librero (Cant. 1)



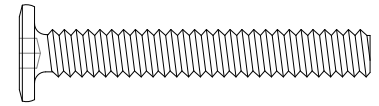
Y- Repisa librero (Cant. 4)

Partes y lista de artículos de ferretería

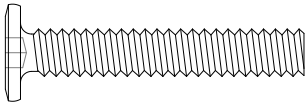
Por favor, lea las instrucciones por completo y verifique que todas las partes y artículos de ferretería listadas estén incluidas antes de iniciar el ensamblaje.



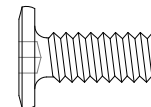
(1) Perno de 1/4" x 100 mm
(Cant. 8+1 extra)



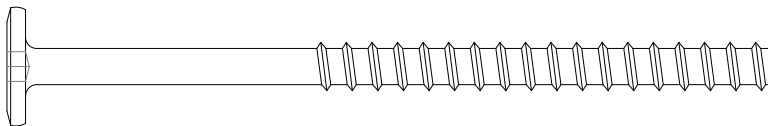
(2) Perno de 1/4" x 45 mm
(Cant. 8+1 extra)



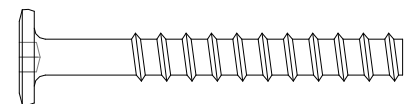
(3) Perno de 1/4" x 38 mm
(Cant. 2+1 extra)



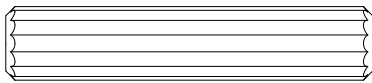
(4) Perno de 1/4" x 15 mm
(Cant. 32+1 extra)



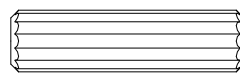
(5) Perno de Ø6.5 mm x 100 mm
(Cant. 24+1 extra)



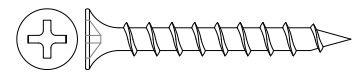
(6) Perno de Ø6.5 mm x 48 mm
(Cant. 20+1 extra)



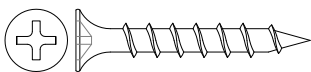
(7) Clavija de madera Ø10 x 50 mm
(Cant. 40+2 extra)



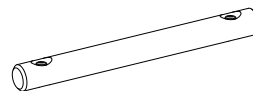
(8) Clavija de madera Ø8 x 30 mm
(Cant. 16+1 extra)



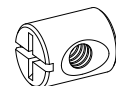
(9) Perno de Ø4 mm x 35 mm
(Cant. 14+1 extra)



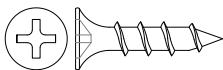
(10) Perno de Ø4 mm x 30 mm
(Cant. 6+1 extra)



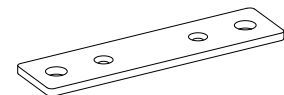
(11) Perno metálico
(Cant. 4)



(12) Tuerca barril
(Cant. 8+1 extra)



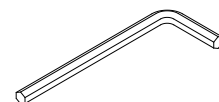
(13) Perno de Ø3.5 mm x 19 mm (Cant. 4+1 extra)



(14) Soporte metal (Cant. 1)



(15) Soporte metal "L" (Cant. 16)

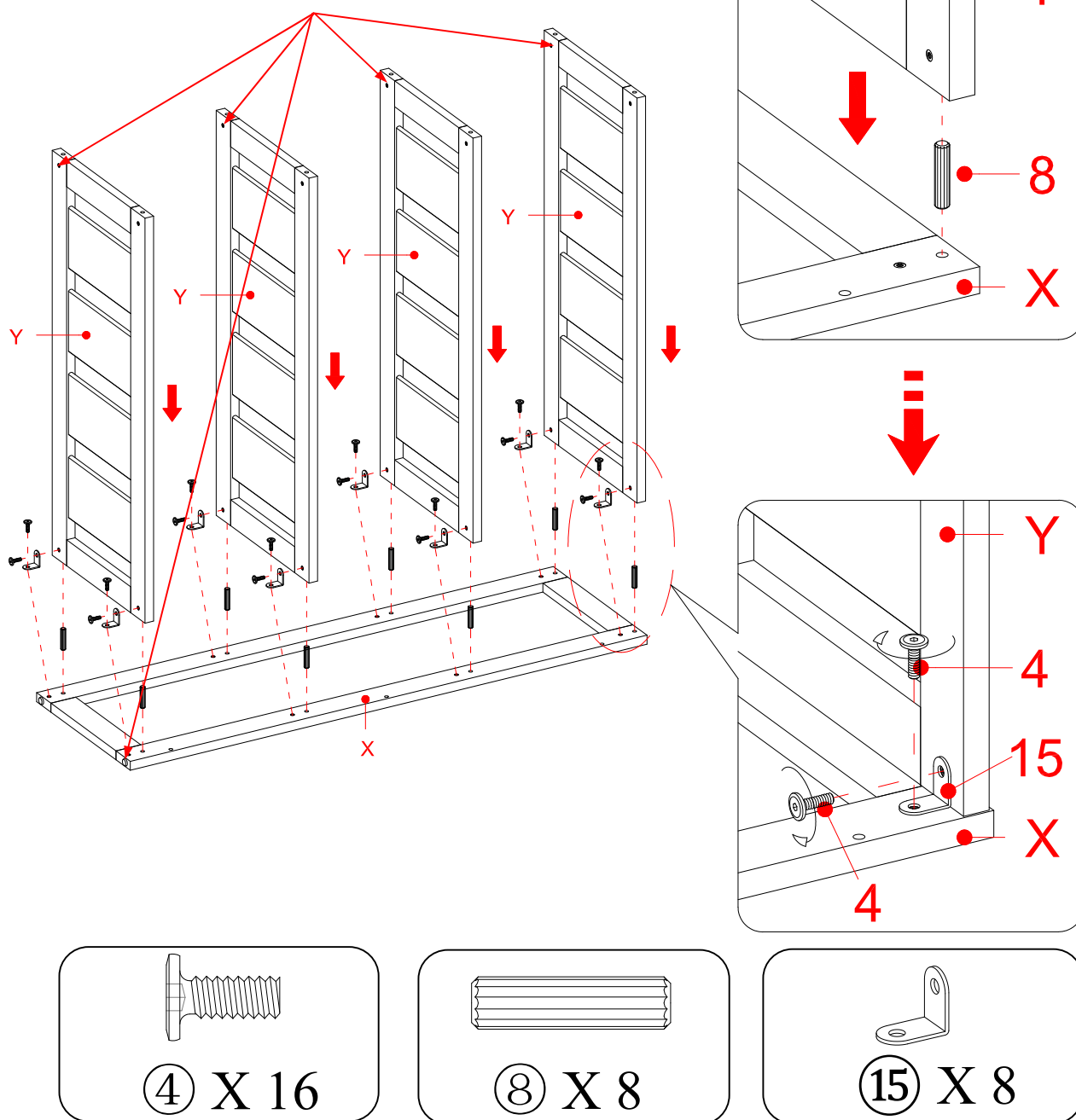


Llave hexagonal (Cant. 2)

Herramienta requerida: Llave hexagonal (proveida) y desarmador estrella (no proveido).

ENSAMBLE DE LIBRERO

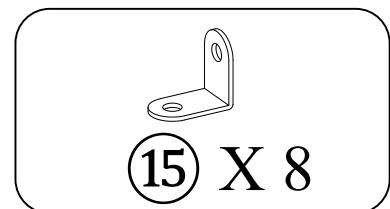
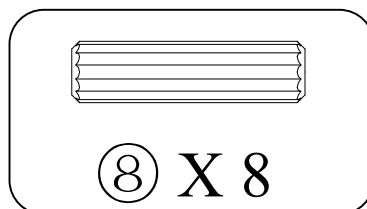
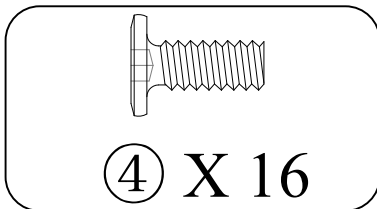
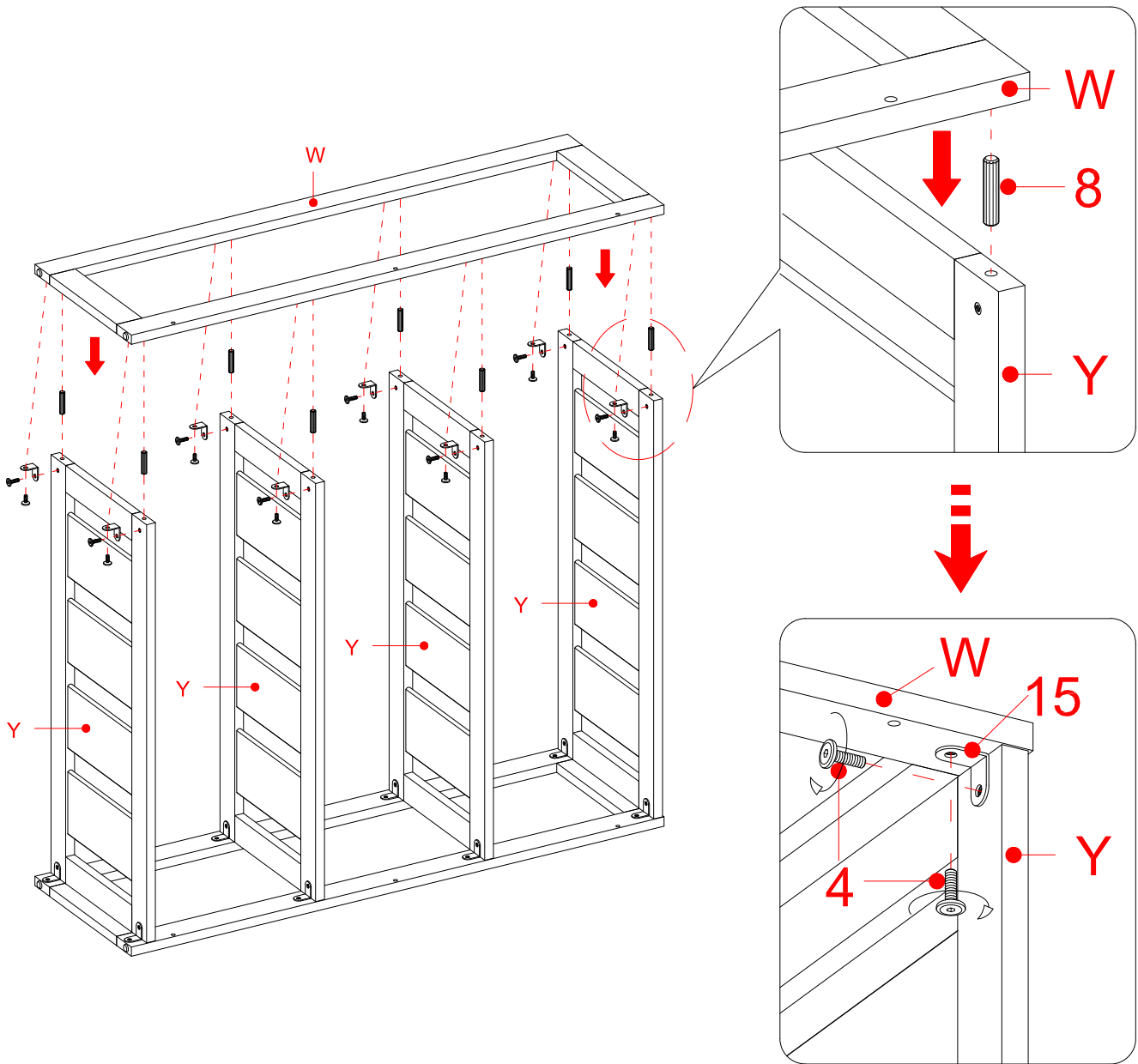
Los insertos roscados y los protectores de psio apuntan a la misma dirección



NOTA: Por favor, siga las instrucciones cuidadosamente para asegurar una cama segura y resistente. No apriete los pernos hasta que se adjuntan todos los rieles y barandales.

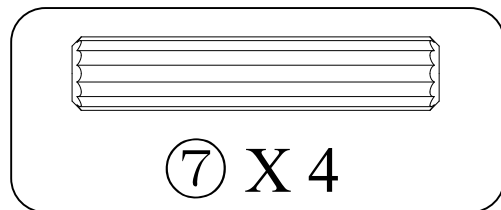
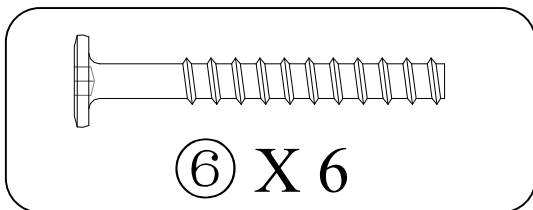
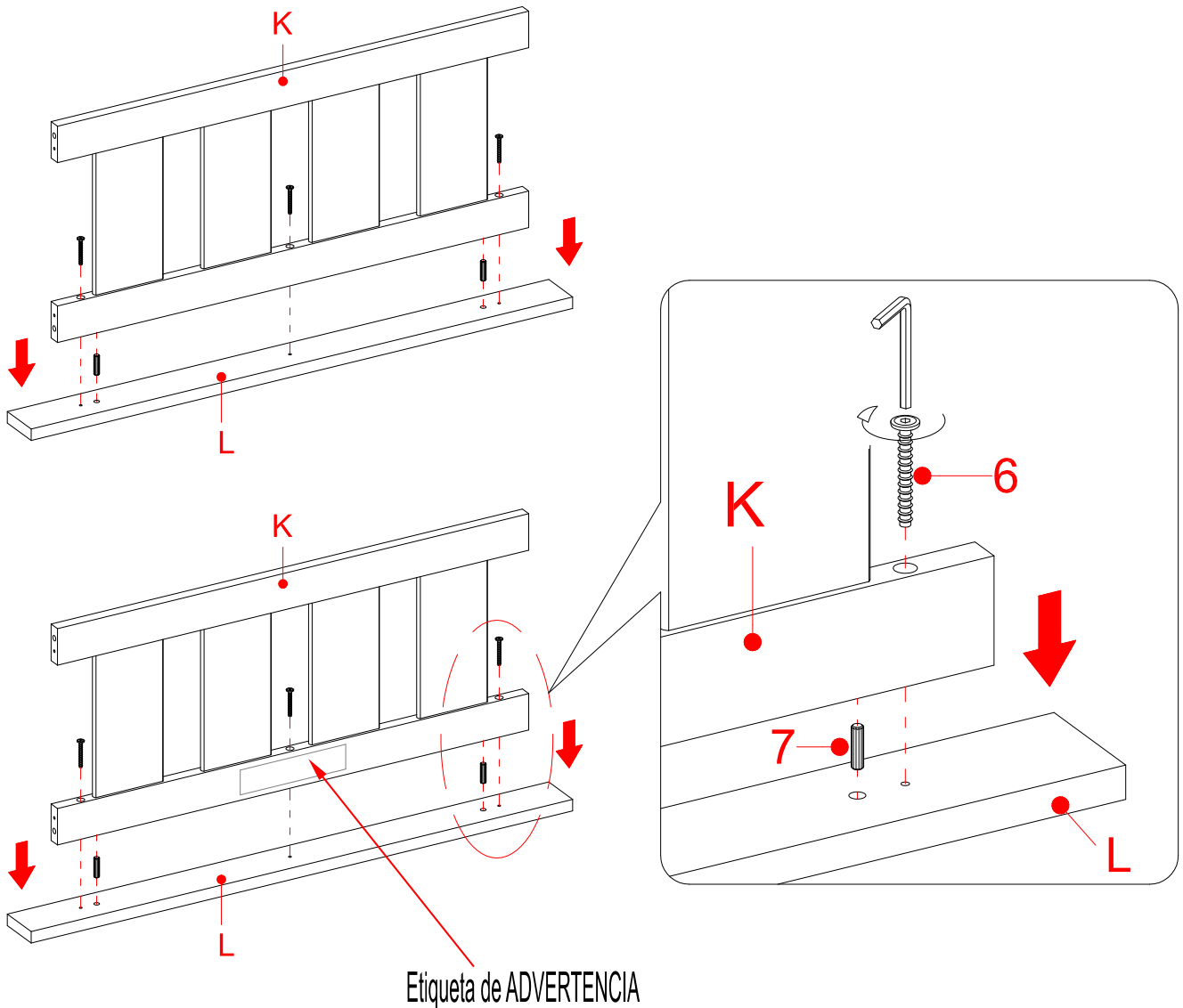
1. Desempacar la unidad y verificar que cuenta con todas las partes y el material de ferreteria requerido.
2. Ubique el lateral derecho de librero (X) sobre una superficie plana y protegida con los insertos roscados hacia arriba.
3. Inserte las clavijas de 30 mm de madera (8) en los orificios interiores de las repisas (Y) y fijarlas en el panel lateral derecho de librero (X) utilizando pernos de 15 mm (4) y soporte metal "L" (15). Apriete bien los pernos con la llave hexagonal incluida.

ENSAMBLE DE LIBRERO



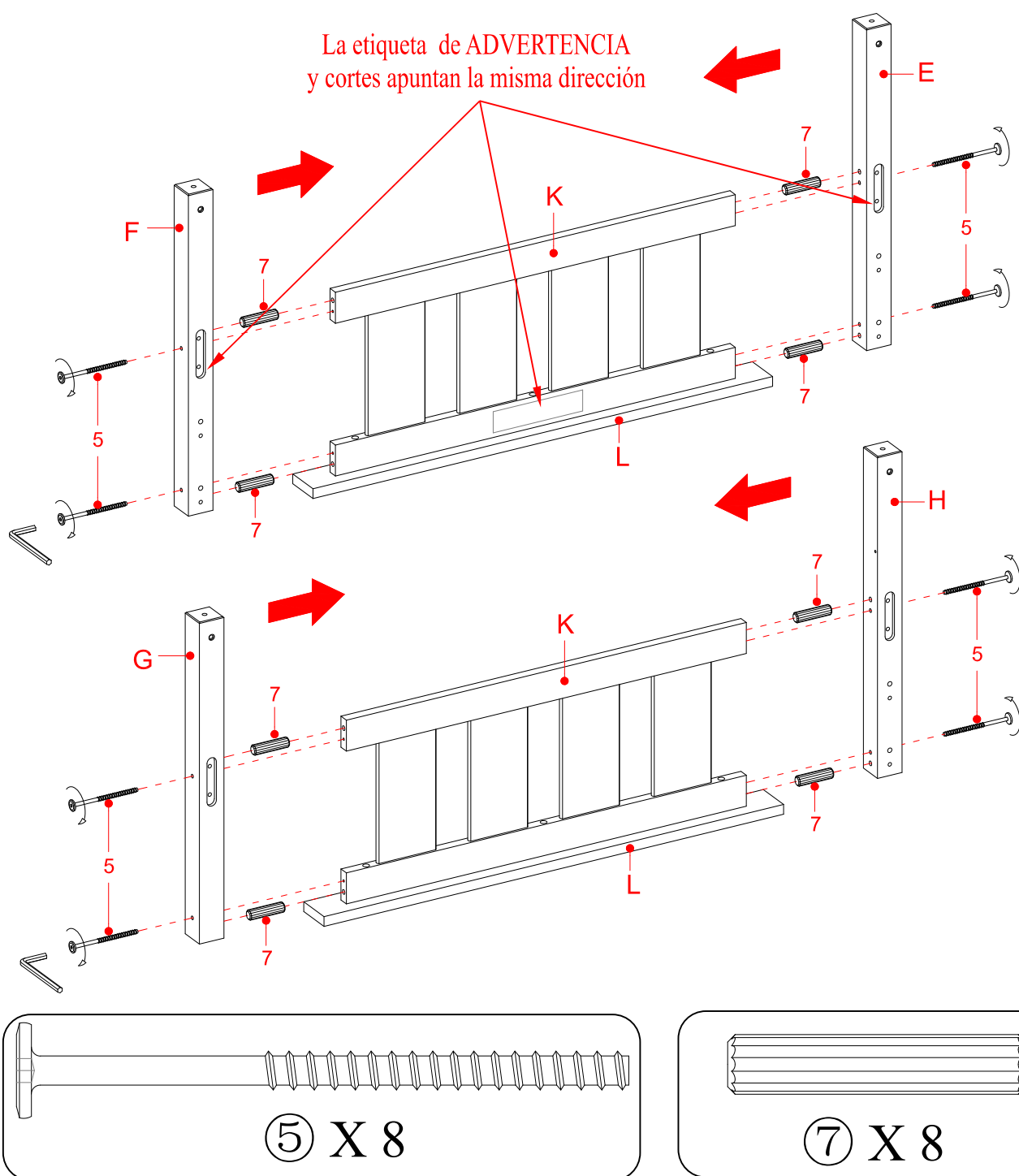
4. Repita el mismo procedimiento para fijar el panel lateral izquierdo de librero (W) en el extremo opuesto.
5. Pida ayuda para levantar la unidad en posición vertical.

ENSAMBLE CAMA SUPERIOR



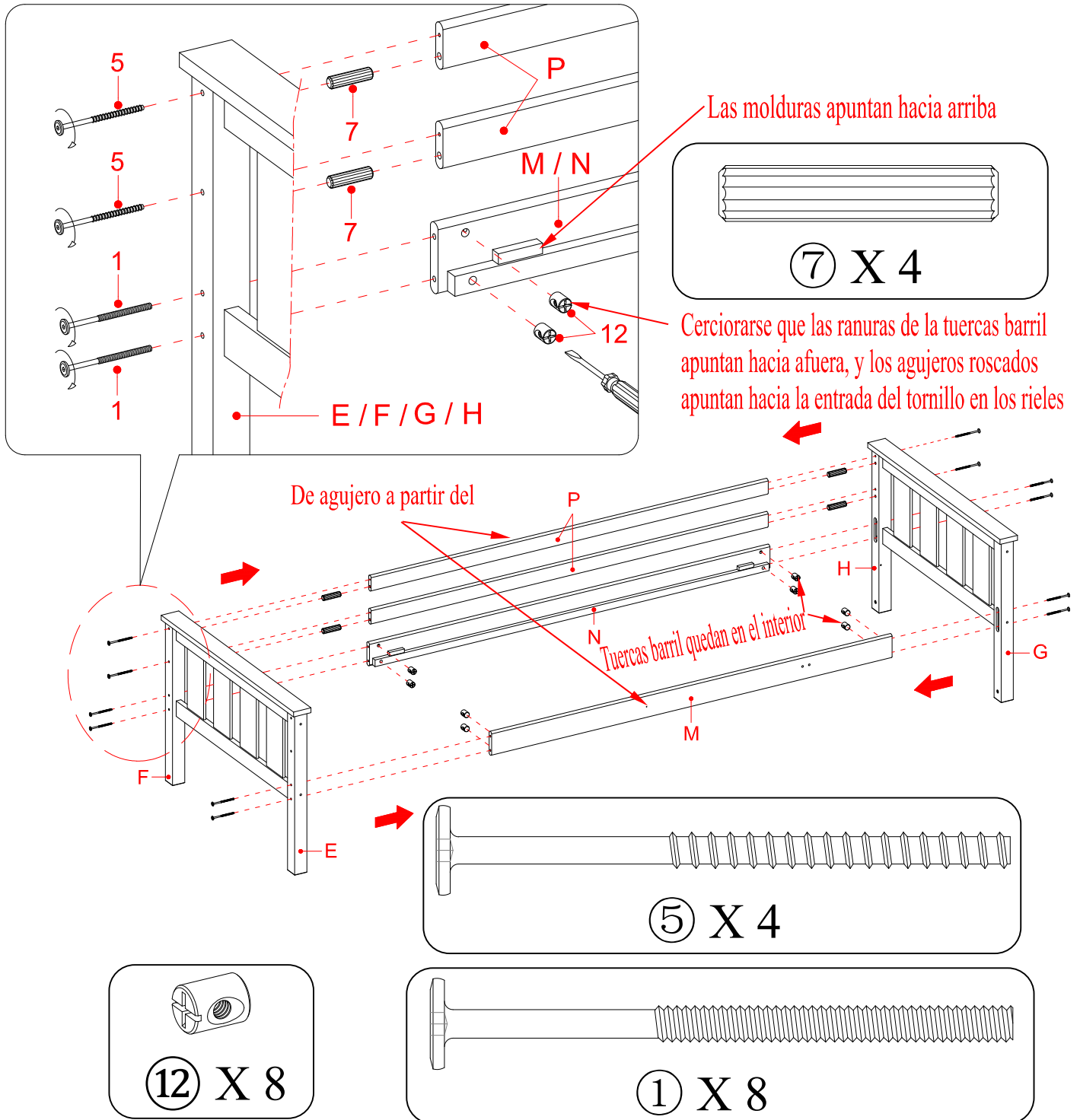
6. Alinee y conecte un ensamble superior de cabecera/piecera (K) a una tapa de riel superior (L) utilizando dos clavijas de 50 mm de madera (7) y tres pernos de 48 mm (6). Apriete bien los pernos con la llave hexagonal forma de L incluida.
7. Repita el paso anterior para combinar las tapas de riel superior restantes (L) y los ensambles de cabecera/piecera (K).

ENSAMBLE CAMA SUPERIOR



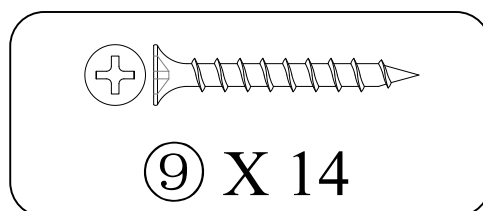
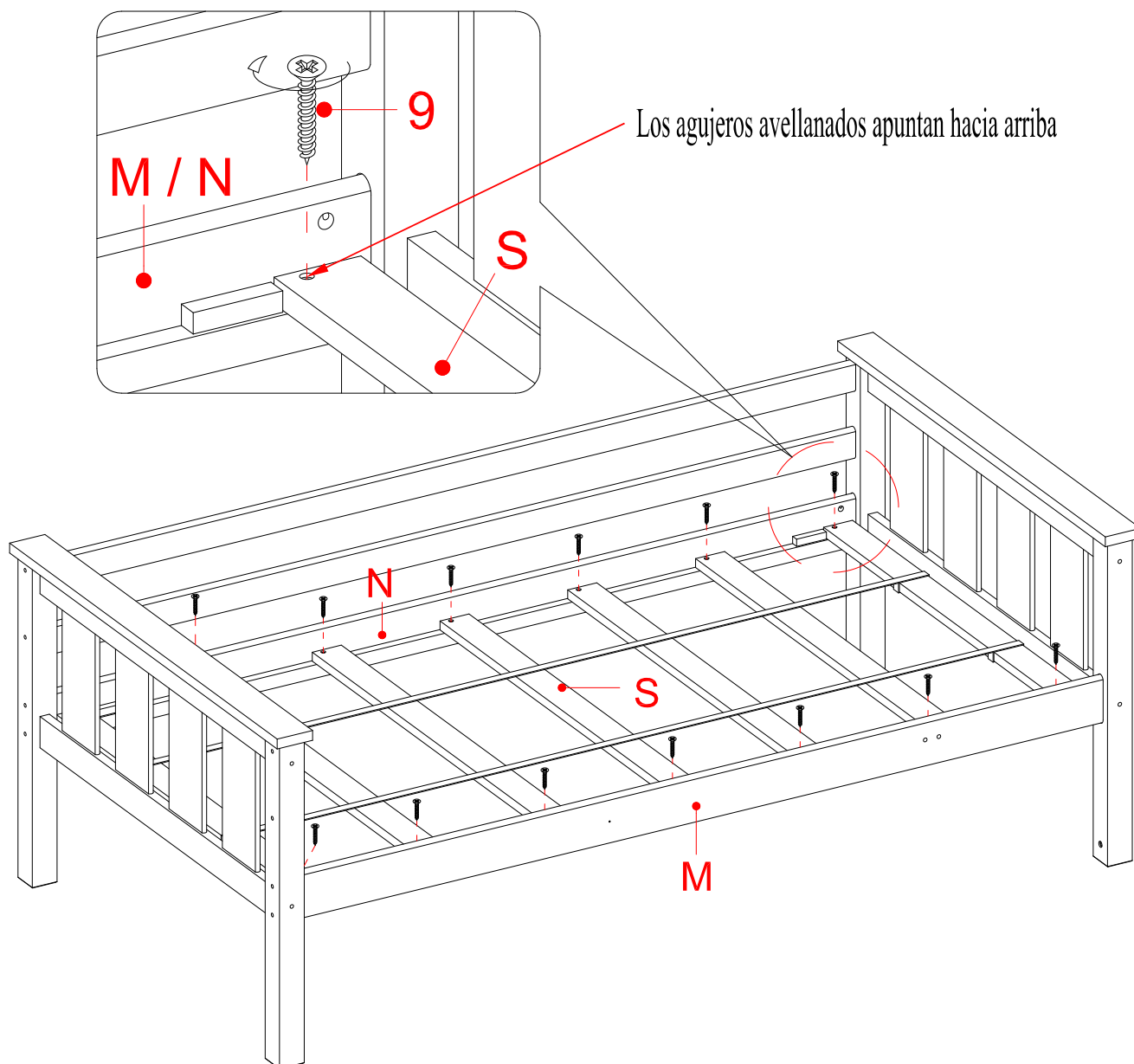
8. Inserte cuatro clavijas de 50 mm de madera (7) en los orificios extremos del ensamble superior cabecera/piecera con etiqueta de advertencia (K). Fije los postes cabecera superiores (E y F) al ensamble superior (K) mediante el uso de cuatro pernos de 100 mm (5) como se muestra. Apriete los pernos con la llave hexagonal suministrada.
9. Repita el paso anterior para fijar los postes piecera superiores (G y H) al otro ensamble superior cabecera/piecera (K).

ENSAMBLE CAMA SUPERIOR



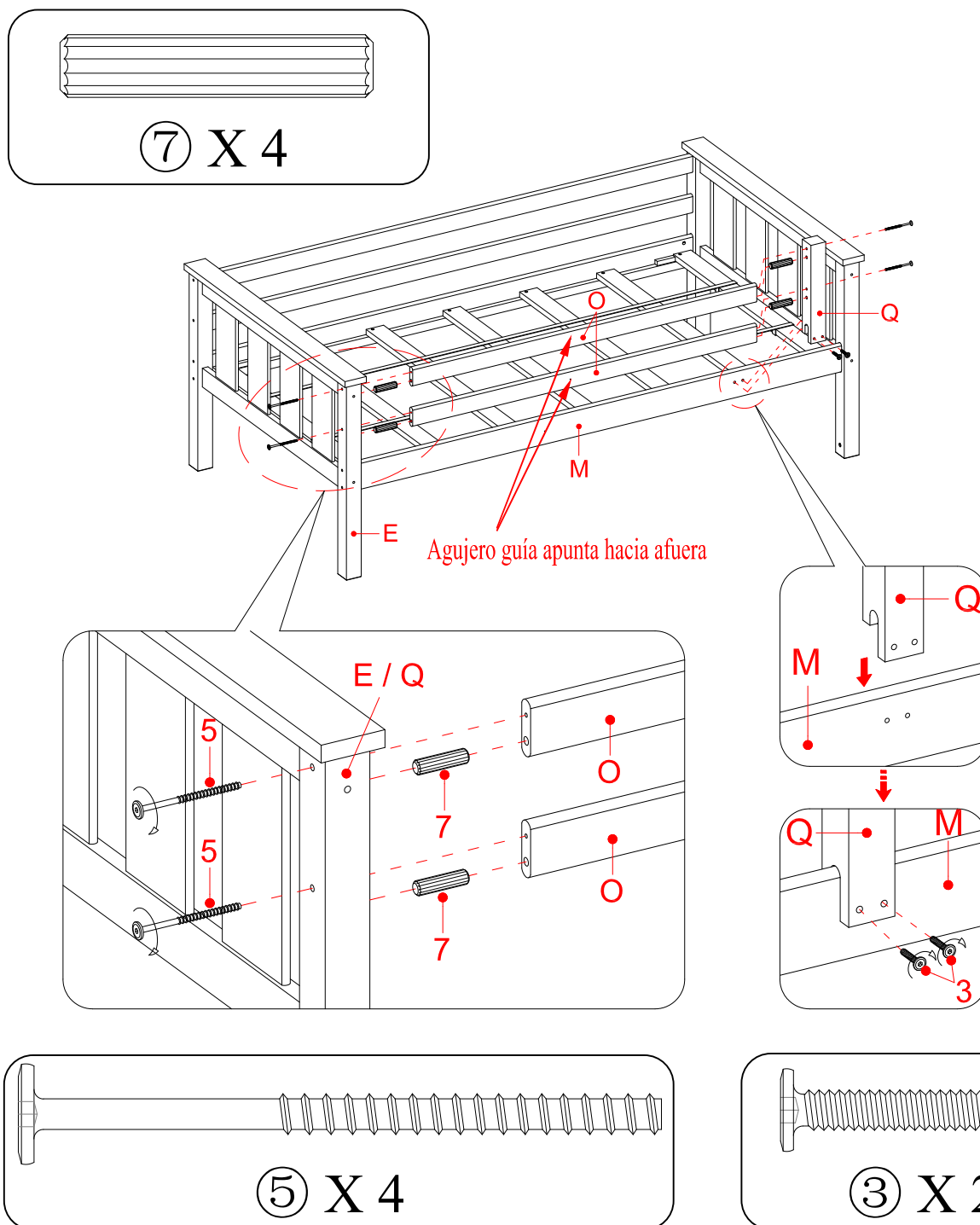
10. Inserte las clavijas de 50 mm de madera (7) en los agujeros grandes perforados de los barandales largos (P) en ambos extremos. Adjuntar dos barandales largos (P) entre los postes superiores (F y H) utilizando pernos de 100 mm (5).
11. Coloque un riel lateral superior (N) entre los postes superiores (F y H) utilizando cuatro pernos de 100 mm (1) y cuatro tuercas barril (12). Asegúrese de que las molduras esquina de madera para los soportes que están en el riel están arriba y hacia adentro.
12. Coloque el riel lateral de escalera (M) entre los postes superiores (E y G) utilizando cuatro pernos de 100 mm (1) y cuatro tuercas barril (12). Asegúrese de que las molduras esquina de madera para los soportes que están en el riel están arriba y hacia adentro.

ENSAMBLE CAMA SUPERIOR



13. Descanse el soporte del colchón superior (S) entre las molduras de madera en el riel de la escalera (M) y el riel lateral superior (N). Insertar y fijar los pernos de 35 mm (9) en los agujeros avellanados en cada soporte. Apriete los pernos con un desarmador estrella.

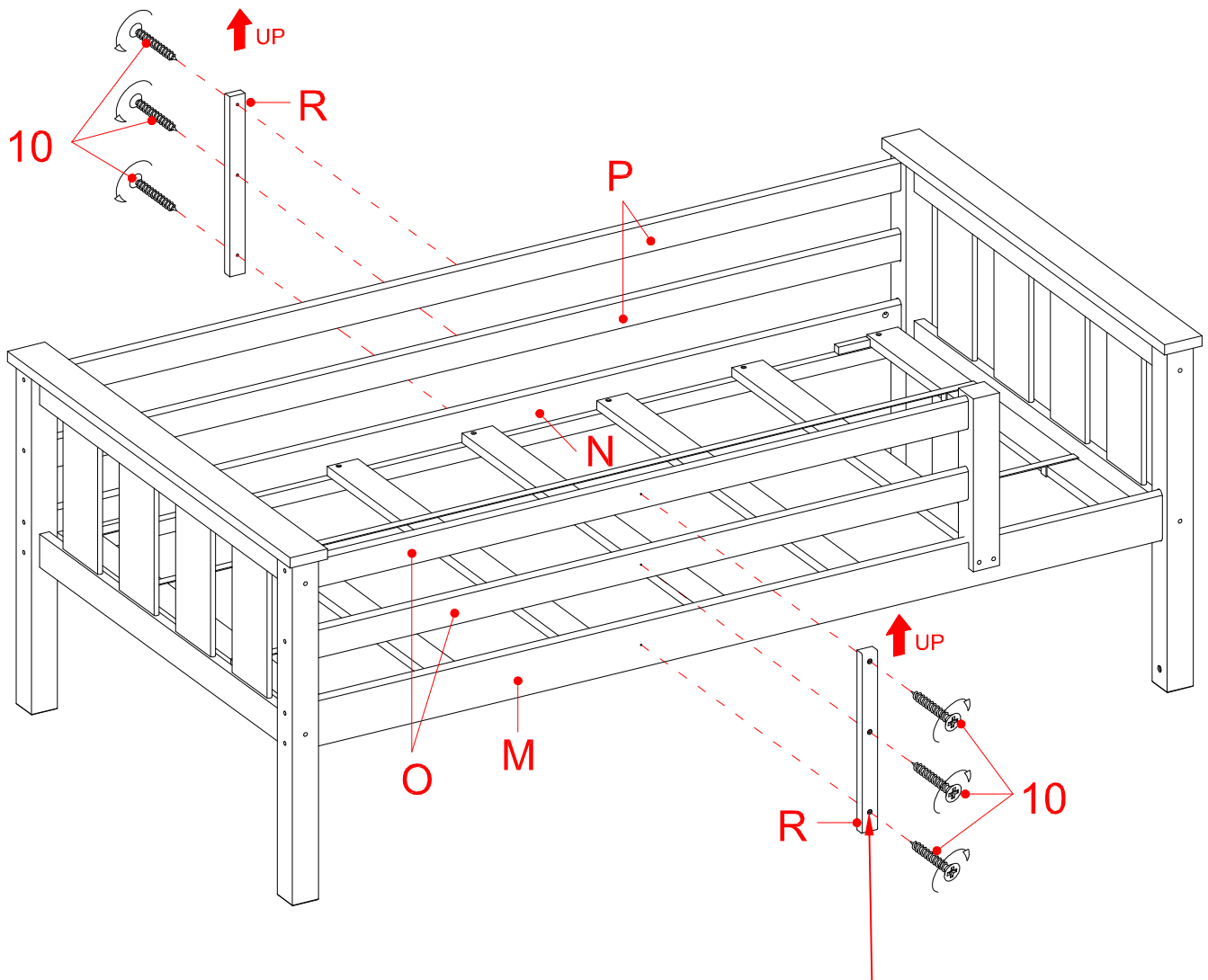
ENSAMBLE CAMA SUPERIOR



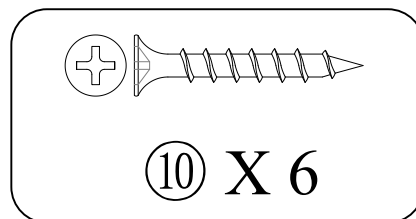
14. Inserte las clavijas de 50 mm de madera (7) en los agujeros del extremo de los barandales cortos (O) como una guía. Adjuntar dos barandales cortos (O) entre el poste frontal superior derecho (E) y el poste frontal de barandal (Q) con cuatro pernos de 100 mm (5).

15. Fijar el poste frontal de barandal (Q) al riel lateral de escalera (M) con dos pernos de 38 mm (3), con la llave hexagonal incluida.

ENSAMBLE CAMA SUPERIOR



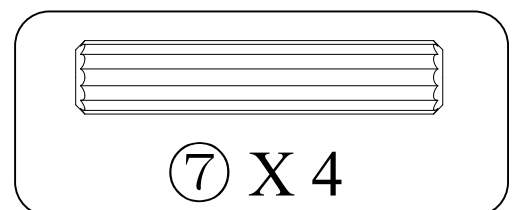
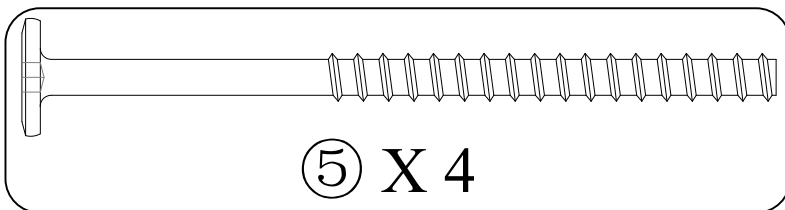
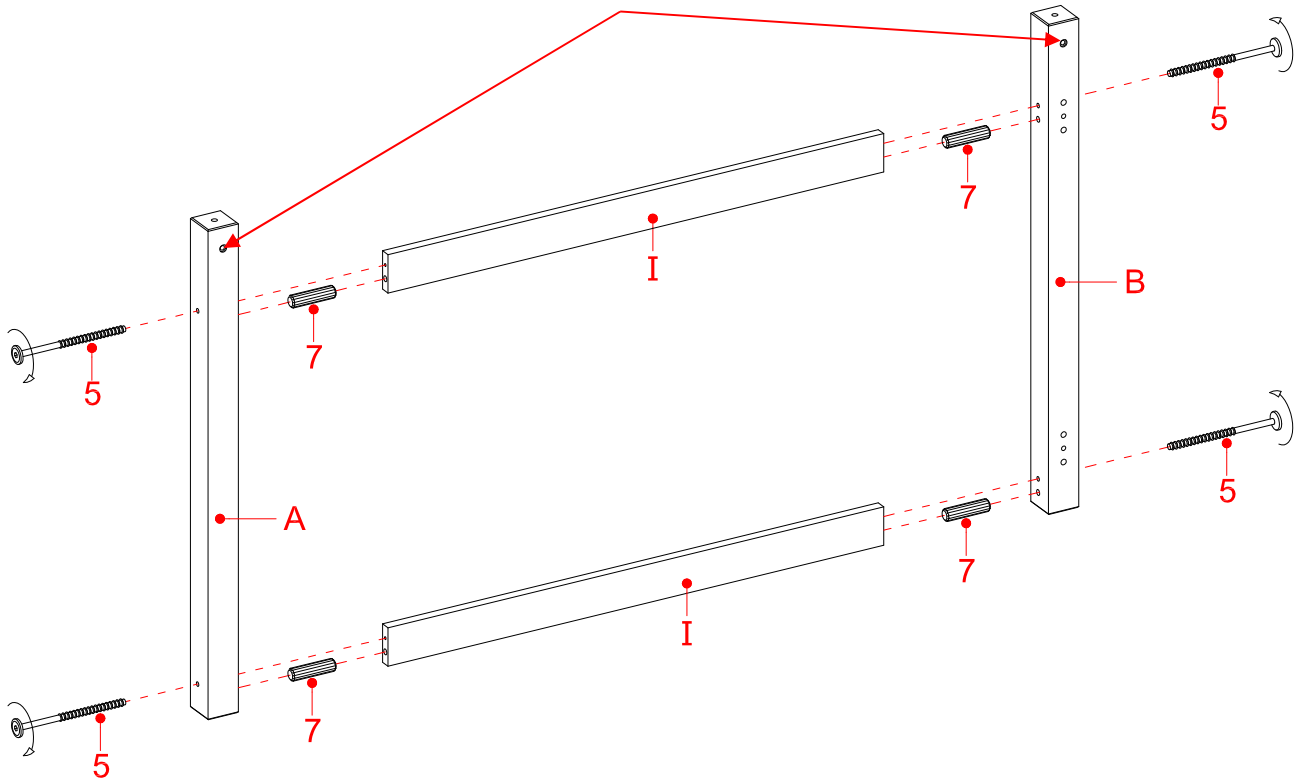
Los agujeros avellanados apuntan hacia afuera



16. Con los agujeros piloto como una guía, alinee y conecte un soporte de barandal (R) para el centro de los barandales largos (P) y riel lateral superior (N) mediante el uso de tres pernos de 30 mm (10) a través de los agujeros avellanados y fije en su lugar.
17. Repita el mismo procedimiento para colocar el otro soporte de barandal (R) a los barandales cortos (O) y el riel lateral de escalera (M).

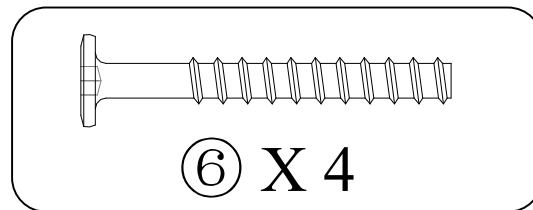
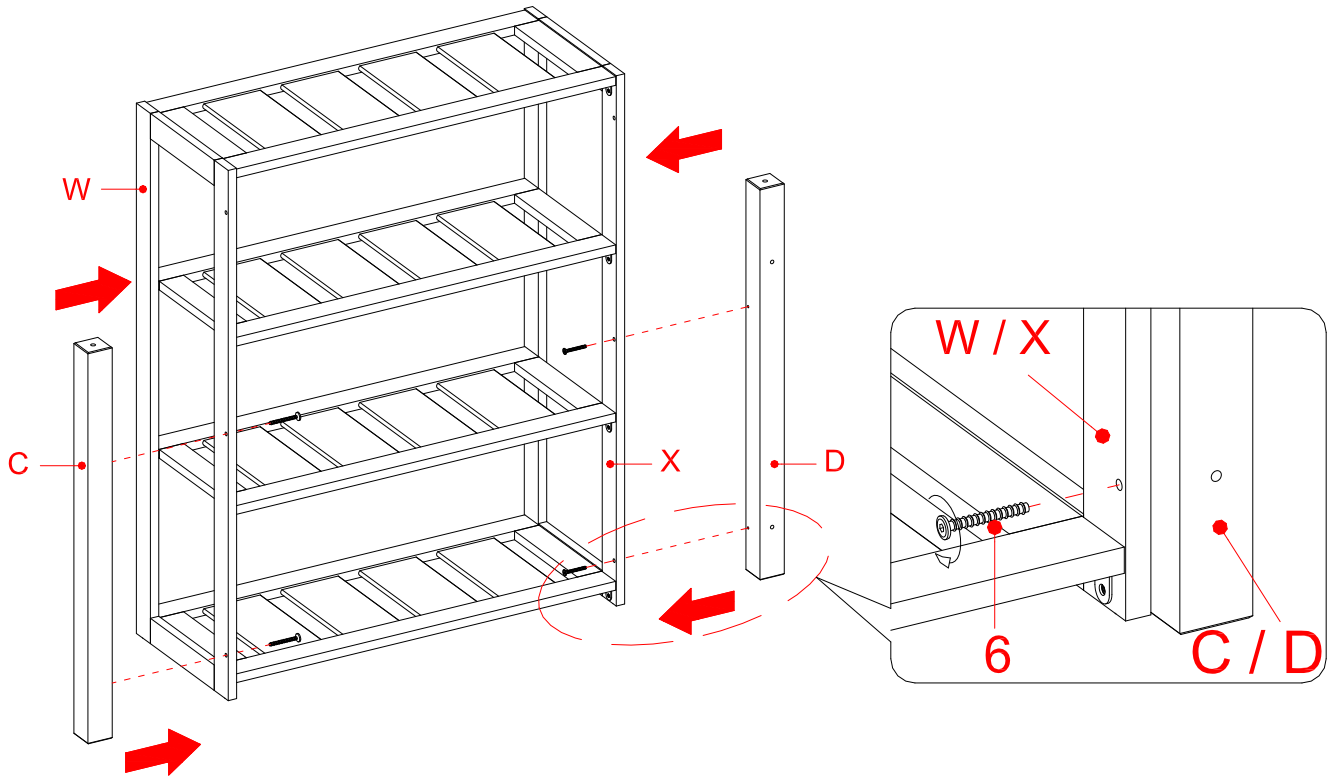
ENSAMBLE AREA INFERIOR

Los agujeros apuntan hacia la misma dirección



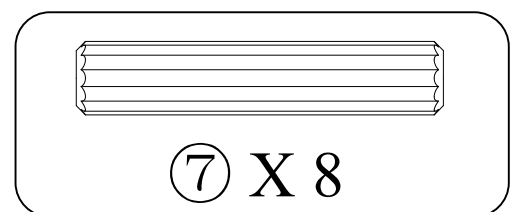
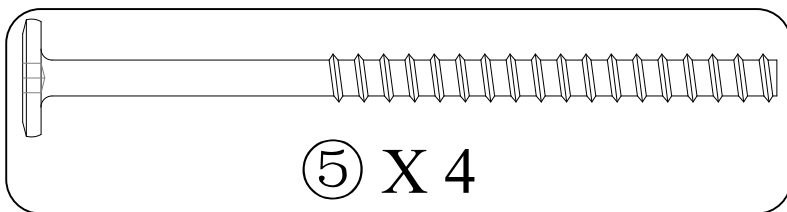
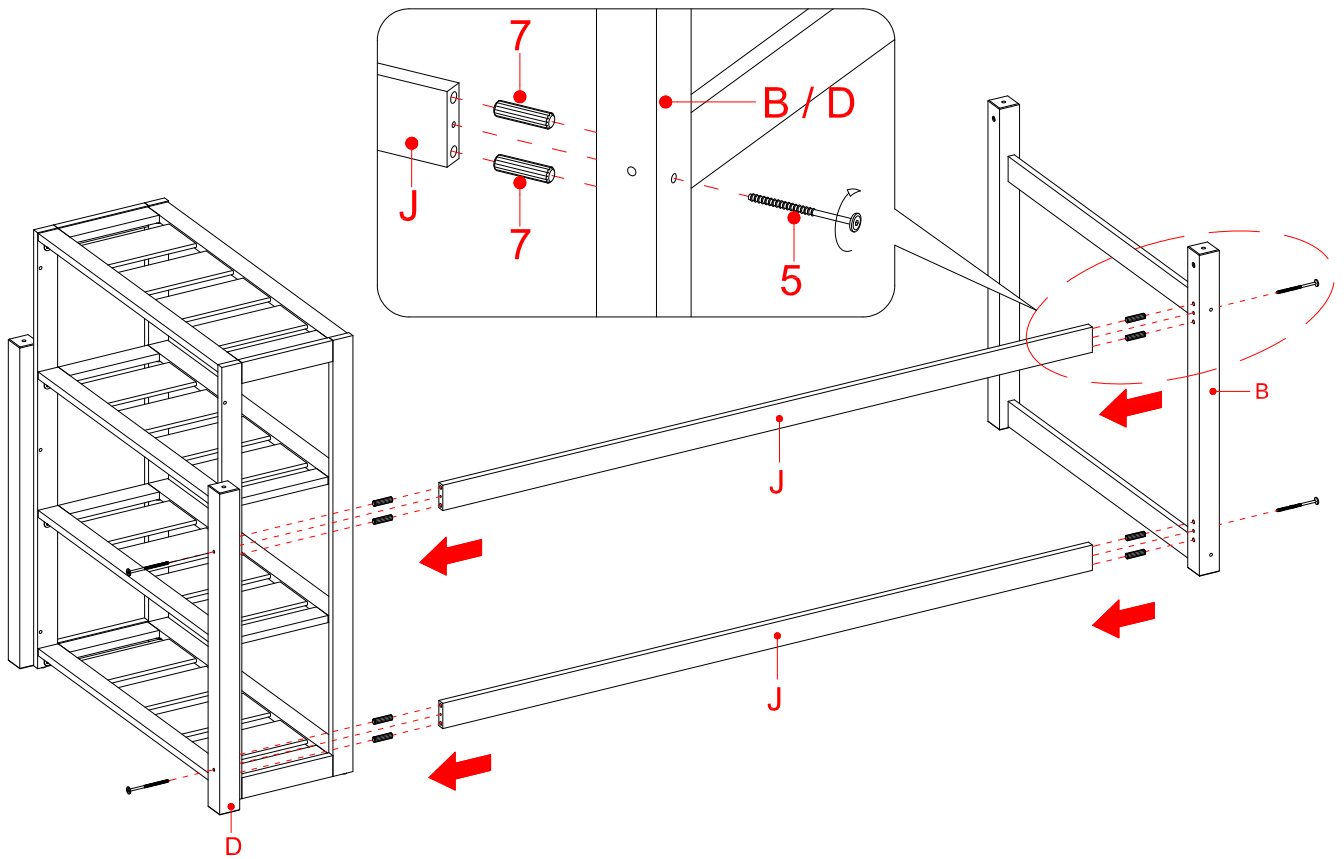
18. Inserte cuatro clavijas de 50 mm de madera (7) en los orificios de los extremos de dos rieles laterales inferiores (I) y adjuntarlos entre los postes (A y B) con cuatro pernos de 100 mm (5). Apriete los pernos con la llave hexagonal incluida.

ENSAMBLE AREA INFERIOR



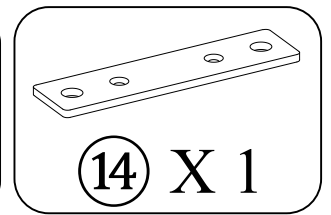
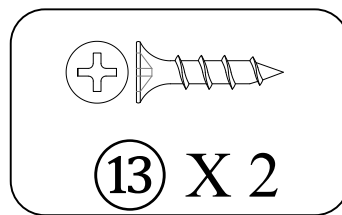
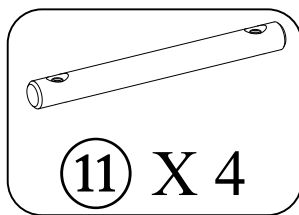
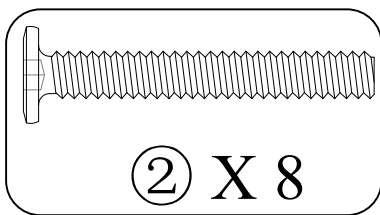
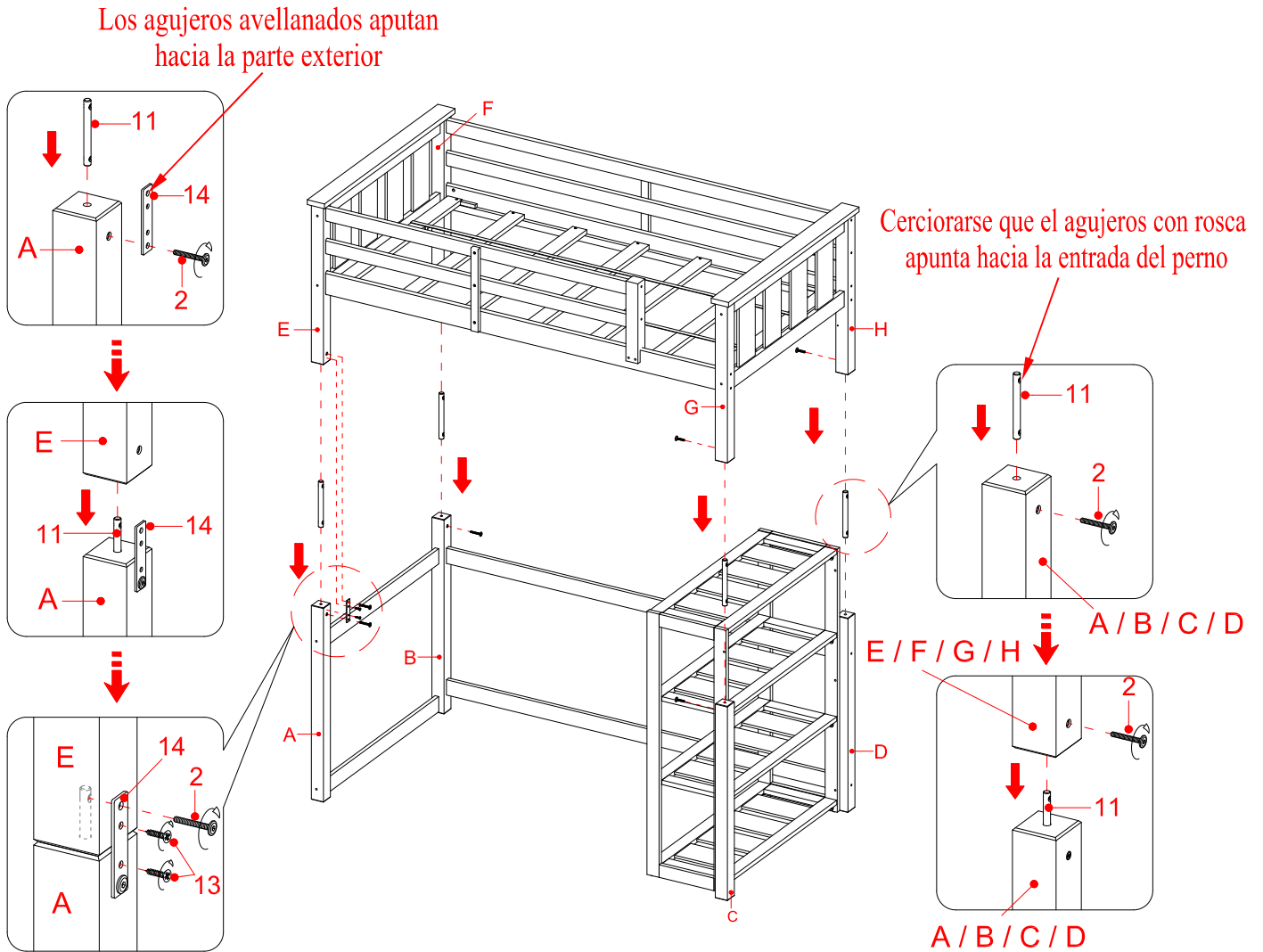
19. Alinear y colocar el poste frontal piecera inferior (C) al lateral izquierdo del librero (W) mediante la inserción de pernos de 48 mm (6) a través de los agujeros previamente perforados en lateral izquierdo del librero (W) y fije en su lugar en el poste.
20. Coloque al Poste posterior piecera inferior (D) para el lateral derecho del escritorio (X) con pernos de 48 mm (6).

ENSAMBLE AREA INFERIOR



21. Inserte ocho clavijas de 50 mm de madera (7) en los orificios de los extremos de dos rieles posteriores inferiores (J). Fije los rieles posteriores (J) entre los postes posteriores (B y D) mediante el uso de cuatro pernos de 100 mm (5). Apriete los pernos con la llave hexagonal suministrada.

ENSAMBLE DE LITERA



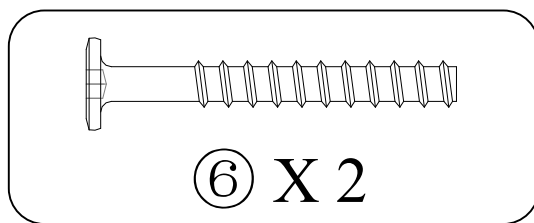
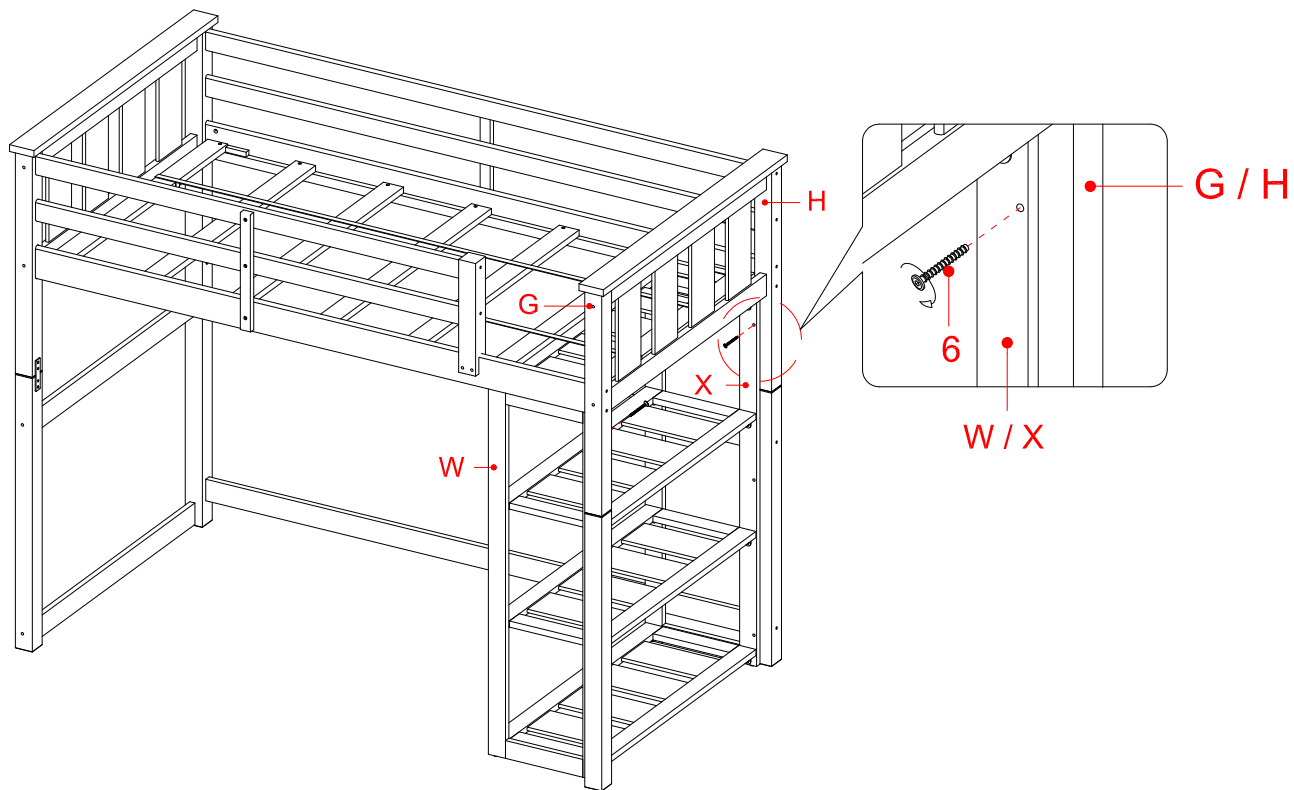
22. Ahora, coloque las dos literas ensamblados en el lugar que desea colocar sus literas.

23. Inserte cuatro pernos metálicos (11) en los postes inferiores (A, B, C y D) y fíjarlos en su lugar con los pernos de 45 mm (2). Al conectar el perno metálico (11) al Poste frontal cabecera inferior (A), usted tendrá que insertar un perno de 45 mm (2) por el orificio inferior del soporte metal (14) y fijar en el orificio roscado del perno metálico.

24. Ahora bien, pedir ayuda para apilar la litera de arriba en los pernos metálico (11) en los postes inferiores y apriete los postes superiores (E, F, G y H) en su lugar con cuatro pernos de 45mm (2). Proceda a insertar dos pernos de 19 mm (13) a través de los agujeros avellanados de soporte metal (14) y fijar en su lugar.

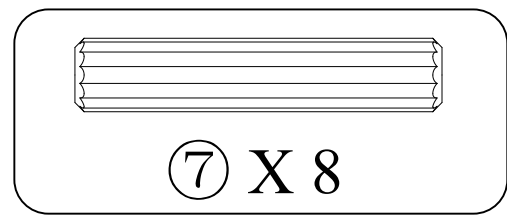
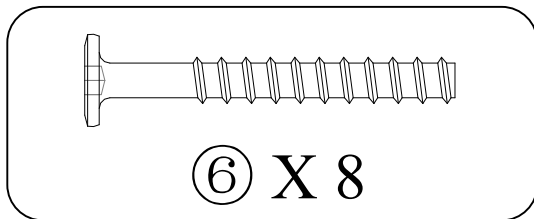
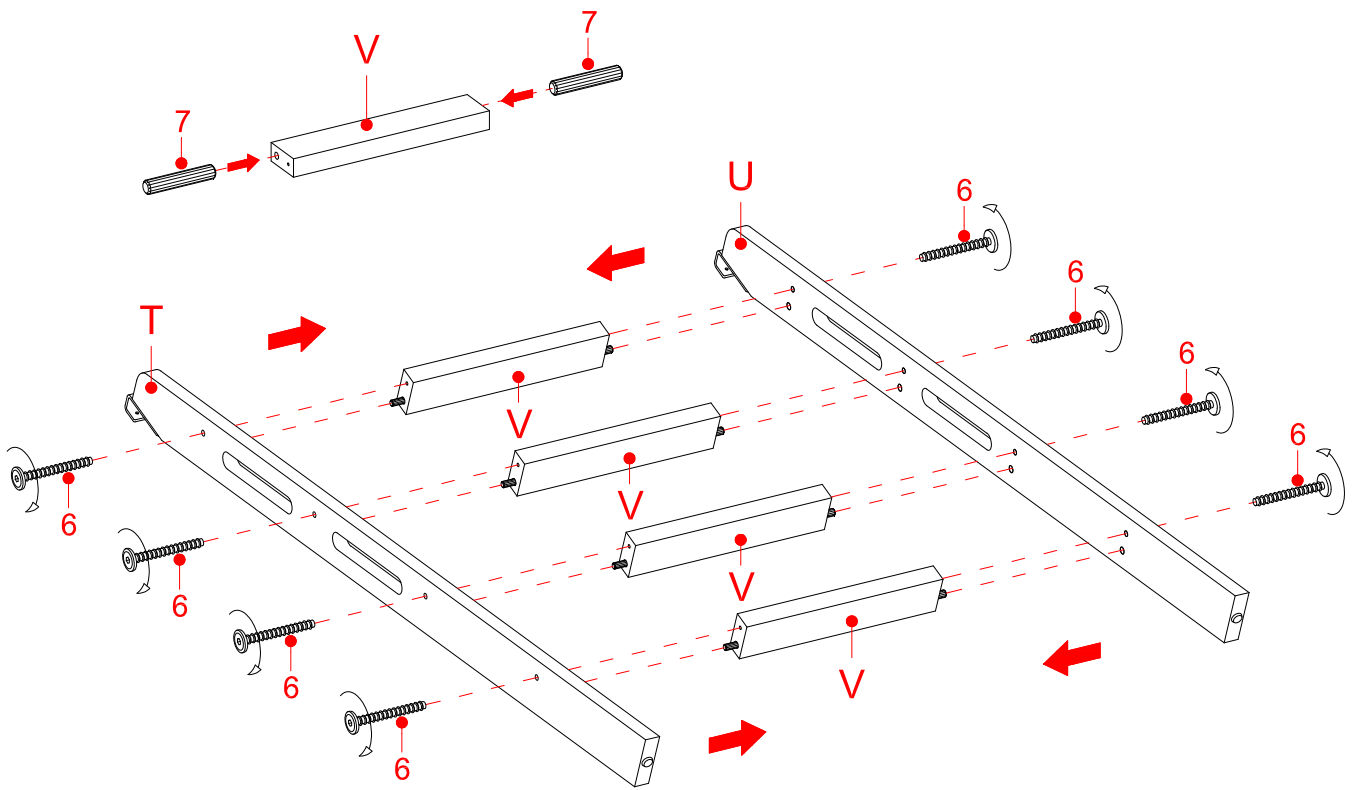
NOTA: Asegúrese de que la litera superior se sienta completamente en la parte superior de los postes y los conectores entran completamente todo el camino, y no dejan ningún hueco.

ENSAMBLE DE LITERA



25. Fije los paneles laterales de escritorio (W y X) a los postes piecera superior (G y H) con dos pernos de 48 mm (6).

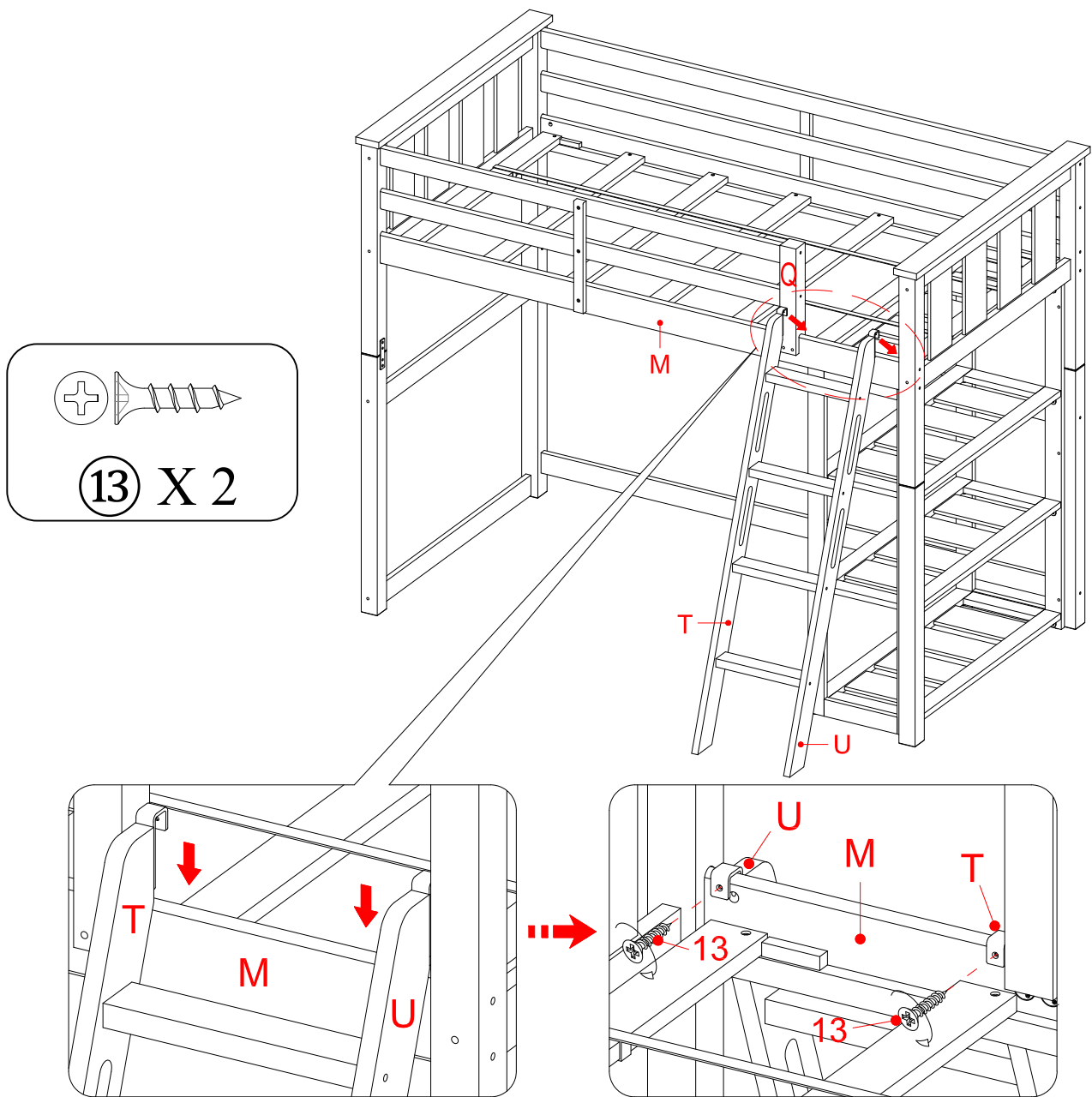
ENSAMBLE DE ESCALERA



26. Inserte dos clavijas de 50 mm de madera (7) en los agujeros grandes de escalones de cada escalera (V) en ambos extremos.

27. Adjuntar los soportes izquierdo y derecho de escalera (T y U) a los escalones de escalera (V) utilizando los pernos de 48 mm (6). Apriete firmemente todos los pernos con la llave hexagonal incluida.

ENSAMBLE DE ESCALERA EN LITERA



28. Enganche la escalera en forma segura a través de la parte superior de riel lateral de escalera (M), entre el poste frontal izquierdo (G) y el poste frontal de barandal (Q) en la abertura prevista. Fije los ganchos de escalera en su lugar con dos pernos de 19 mm (13).

SOLO USE LA ESCALERA EN ESTE LUGAR Y ASEGURE CON 2 PERNOS. POR FAVOR ASEGURARSE DE INSTALAR LA ESCALERA CONTRA EL POSTE FRONTAL DE BARANDAL.

Mantenimiento y cuidados

- Use una toalla suave y limpia para evitar daños y rayaduras.
- Uso de cera para pulir muebles no es necesario. Si desea usar cera cheque en un área que no sea visible para revisar su funcionamiento.
- Usar solventes de cualquier tipo puede dañar el acabado del mueble.
- Nunca use agua para limpiar la unidad, ya que le puede dañar el acabado.
- Siempre utilice protección para vasos cuando ponga sobre la unidad.
- Líquidos derramados deben limpiarse inmediatamente, con una toalla suave evitando tallar.
- Siempre utilizar protectores en caso de poner cosas calientes. El calor puede provocar una reacción química en el acabado y dañarlo.
- En caso que su unidad sea manchada durante el uso le recomendamos hablar a un profesional para que le ayude.
- Revisar los pernos y tornillos periódicamente y apriételes si es necesario.

Más recomendaciones para el cuidado de su mueble

Es lo mejor mantener la unidad en una area de clima controlado. Temperatura extrema y cambios de humedad pueden causar cambios como partes pandas, molduras que se contraigan o que la madera se raje. Es recomendable mantener la unidad lejos del sol directo ya que puede dañar el acabado.

Cuidados adecuados y limpieza pueden extender la vida útil de su unidad. Siga estas recomendaciones y mantendrá su mueble en buenas condiciones de uso por muchos años.

Esperamos que disfrute su mueble por muchos años.
¡Gracias por su compra!

GARANTIA DE CALIDAD

Nosotros estamos seguros que Usted se encontrará feliz con la compra de este producto.

Si este producto tiene algún defecto de ensamblado o material o si tiene alguna falla en uso normal, Nosotros lo repararemos o lo re-emplazaremos hasta por un año a partir de la fecha de compra. Todo producto es diseñado para alcanzar sus expectativas más altas. Nosotros le garantizamos que inmediatamente podrá ver el valor de nuestra mercancía de la más alta calidad.

Esta garantía le proporciona derechos legales específicos y tal vez tenga otros derechos que varían de Estado a Estado.

Servicio al cliente: 866-942-5362
8:30 a.m. - 4:30 p.m., PST, Lunes a Viernes
www.whalenstyle.com