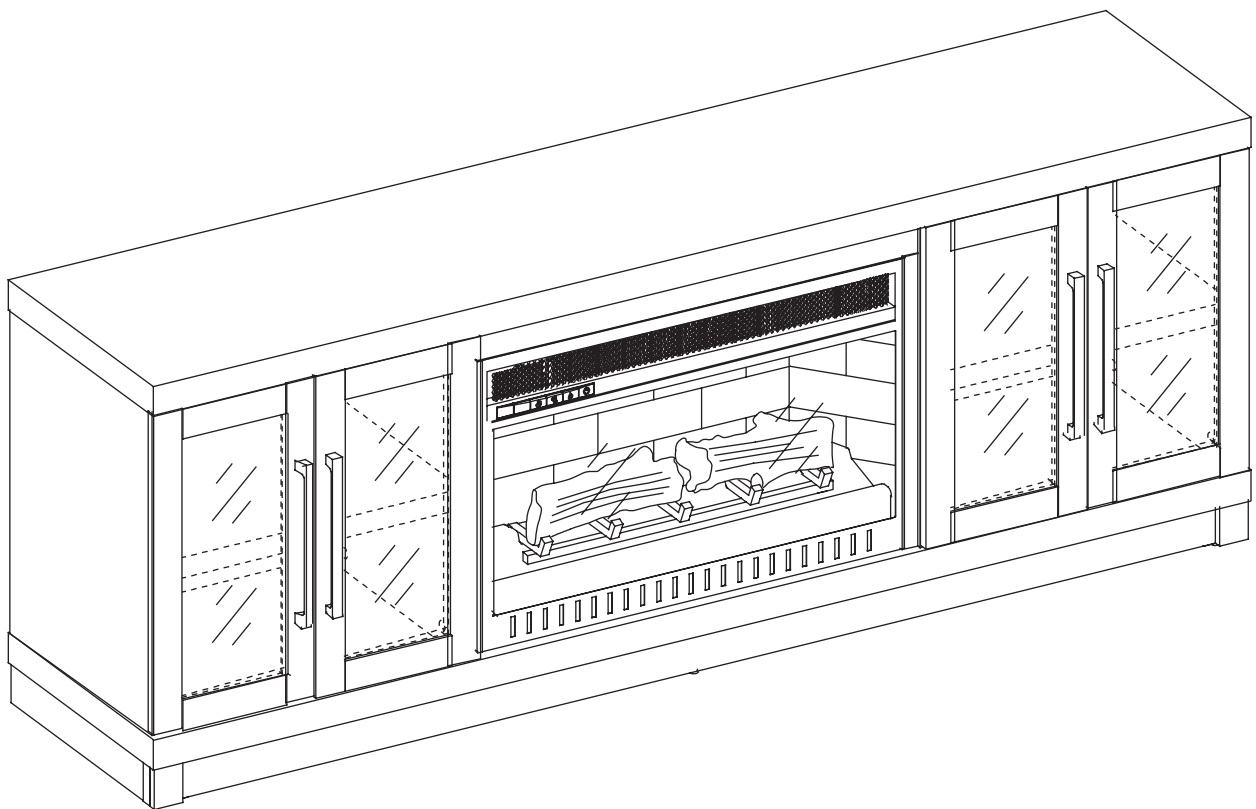


CANVAS^{TM/MC}

OAKRIDGE 68" INFRARED MEDIA FIREPLACE

PRODUCT NO. 064-4022-2



ASSEMBLY INSTRUCTIONS



HAVING TROUBLE?

TOLL-FREE:

1-888-670-6684

IMPORTANT: Please read this manual carefully before beginning assembly of this product. Keep this manual for future reference.

CANVAS™

INSPIRED BY CANADA



We believe in the power of décor and its ability to make up the fabric of your home.

That's why **CANVAS®** collections draw **inspiration from Canadians and the way they live.**

From on-trend furniture pieces to holiday décor and all your outdoor living essentials, **CANVAS®** makes it easy to refresh your space to reflect **your unique style and the way you live every day.**

We would love to hear from you and welcome your thoughtful feedback. Visit our website at **canadiantire.ca** to tell us about your experience, and share your photos with us using **#myCANVASstyle.**

Show us how you bring **CANVAS®** products to life. We can't wait to see!

TABLE OF CONTENTS

Safety Information.....	3
Parts List.....	7
Before You Begin Assembly.....	12
Step-by-step Guide.....	13
Technical Data.....	37
Operating Instructions.....	38
Troubleshooting.....	46
Caring for Your Item.....	48
Warranty.....	48



WARNING! TO REDUCE THE RISK OF SERIOUS INJURY, READ THE FOLLOWING SAFETY INSTRUCTIONS BEFORE ASSEMBLING AND USING THE PRODUCT.

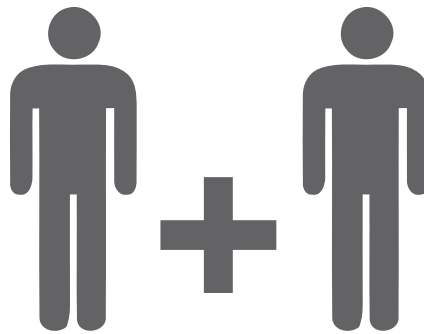
When using electrical appliances, basic precautions should always be followed to reduce the risk of fire, electric shock and injury to persons, including the following:

- If the information in this manual is not followed exactly, an electric shock or fire may result causing property damage, personal injury or loss of life.
- This appliance is hot when in use. To avoid burns, do not let bare skin touch hot surfaces. Keep combustible material, such as furniture, pillows, bedding, papers, clothes and curtains, at least 3' (0.9 m) from the front of the heater and keep them away from the sides and rear.
- Extreme caution is necessary when any heater is used near children, by individuals with disabilities, or whenever the fireplace is left operating and unattended.
- Do not run cord under carpeting. Do not cover cord with throw rugs, runners, or similar covering. Arrange cord away from traffic areas and where it will not be tripped over.
- Do not insert or allow foreign objects to enter any ventilation or exhaust opening as this may cause an electric shock or fire, or damage the appliance.
- This appliance has hot and arcing or sparking parts inside. Do not use it in areas where gasoline, paint or flammable vapours or liquids are used or stored.
- This fireplace should not be used as a drying rack for clothing. Christmas stockings or decorations should not be hung on it or near it.

TOOLS REQUIRED



Cross-head Screwdriver



2 People

SAFETY INFORMATION

IMPORTANT SAFETY INFORMATION

Use this appliance only as described in the manual. Any other use is not recommended by the manufacturer and may cause fire, electric shock or injury to persons. Read all instructions before installing or using the fireplace.

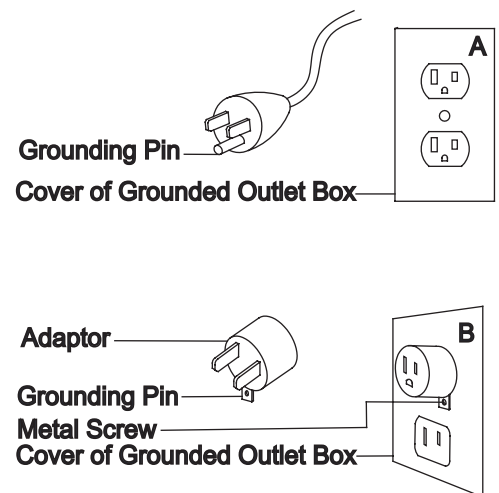
1. Read all instructions before using this heater.
2. Do not use this heater outdoors.
3. This heater is not intended for use in bathrooms, laundry areas and similar indoor locations. Never locate the heater where it may fall into a bathtub or other water container.
4. Do not run the power cord under carpeting. Do not cover the power cord with throw rugs, runners, or the like. Arrange the power cord away from traffic areas and where it will not be tripped over.
5. To disconnect the heater, turn controls to off, then remove the plug from the outlet.
6. Connect to properly grounded outlets only. Always plug heater directly into a wall outlet/receptacle. Never use with an extension cord or relocatable power tap (outlet/power strip). Failure to do so can result in fire damage to the outlet and/or the plug.
7. To prevent a possible fire, do not block firebox air intakes or the exhaust in any manner. Do not operate the firebox on soft surfaces, like a bed, where openings may become blocked.
8. There is a thermostat limiter inside the heater. When the inner temperature is too high or abnormal heating occurs, the thermostat protective device cuts off the power supply to avoid fireplace damage and reduce the risk of fire.

9. Use this heater only as described in this manual. Any other use not recommended by the manufacturer may cause fire, electric shock, or injury to persons.
10. If possible, always unplug this appliance when not in use.
11. Do not operate any heater with a damaged cord or plug or after the heater malfunctions.
12. Do not operate any heater if it has been dropped or damaged in any manner. Disconnect power at service panel and have heater inspected by a reputable electrician before reusing.
13. Any repairs to this fireplace should be carried out by a qualified service person.
14. Under no circumstances should this fireplace be modified. Parts removed for servicing must be replaced prior to operating this fireplace again.
15. This appliance, when installed, must be electrically grounded in accordance with local codes: with the current CSA C22.2 Canadian Electrical Code or follow the National Electrical Code, ANSI/NFPA NO.70.
16. The heater must not be located immediately below a wall outlet/receptacle.
17. Do not slide insert on top of wood to avoid scratching wood surface.
18. Do not place any objects on top of insert or air intake vents as this will cause unit to overheat and can cause a fire.

This product must be grounded. If it should malfunction or break down, grounding provides a path of least resistance for electric current and reduces the risk of electric shock. This product is equipped with a cord having an equipment-grounding conductor and a grounding plug. The plug must be plugged into an appropriate outlet that is properly installed and grounded in accordance with all local codes and ordinances.

This heater is for use on 120 V circuits and has a grounded plug. An adaptor is available from your local electronics store or online supplier for connecting three-blade grounding type plugs to two-slot receptacles. The green grounding lug extending from the adaptor must be connected to a permanent ground such as a properly grounded outlet box. The adaptor should not be used if a three-slot grounded receptacle is available.

NOTE: The use of grounded adaptors are banned in certain jurisdictions in Canada due to safety concerns. Use of grounded adaptors on two-slot receptacles is unsafe and should only be installed by a certified electrician. Check with local laws to ensure compliance with legal requirements.



FCC / IC STATEMENT

This equipment has been tested and found to comply with the limits for a Class B digital device, pursuant to Part 15 of the FCC Rules. These limits are designed to provide reasonable protection against harmful interference in a residential installation. This equipment generates, uses, and can radiate radio frequency energy and, if not installed and used in accordance with the instructions, may cause harmful interference to radio communications. However, there is no guarantee that interference will not occur in a particular installation. If this equipment does cause harmful interference to radio or television reception, which can be determined by turning the equipment off and on, the user is encouraged to try to correct the interference by one or more of the following measures:

- Reorient or relocate the receiving antenna.
- Increase the separation between the equipment and the receiver.
- Connect the equipment into an outlet on a circuit different from that to which the receiver is connected.
- Consult the dealer or an experienced radio/TV technician for help.

This device complies with Part 15 of the FCC Rules. Operation is subject to the following two conditions:

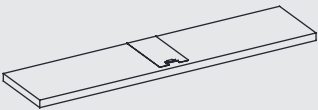
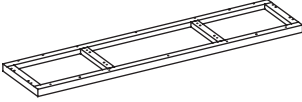
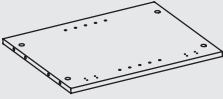
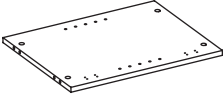
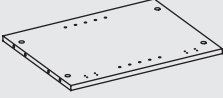
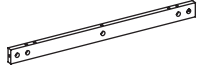

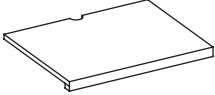


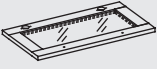
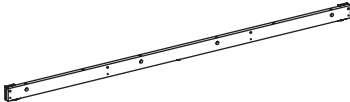
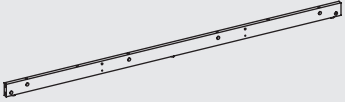
- 1) This device may not cause harmful interference.
- 2) This device must accept any interference received, including interference that may cause undesired operation.

Modifications not approved by the party responsible for compliance could void user's authority to operate the equipment.


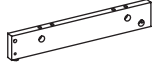

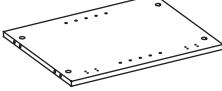
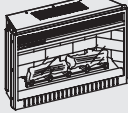

CAN ICES-3 (B)/NMB-3(B).

This Class B digital apparatus complies with Canadian ICES-003.

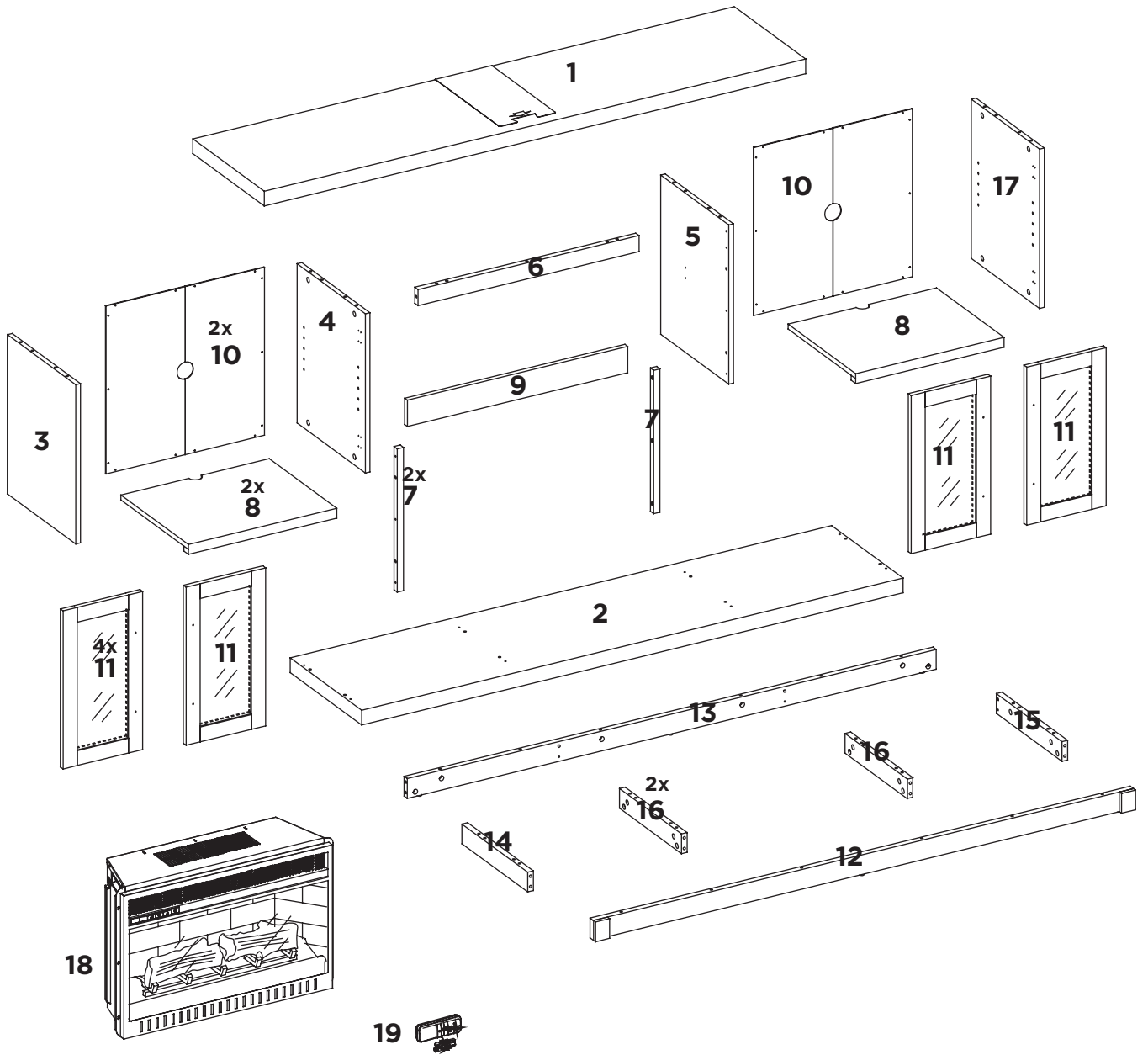
PARTS LIST

ITEM	DESCRIPTION	THUMBNAIL	QUANTITY
1	Top Panel		1
2	Bottom Panel		1
3	Left Side Panel		1
4	Left Partition Panel		1
5	Right Partition Panel		1
6	Middle Crossbar		1
7	Middle Stile		2
8	Adjustable Shelf		2
9	Firebox Support		1
10	Back Panel		2
11	Door		4
12	Front Skirting		1
13	Back Skirting		1


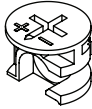
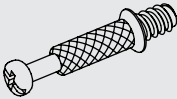
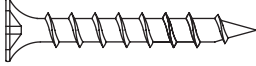
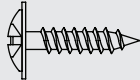
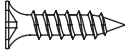

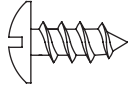
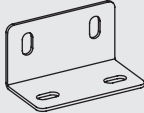
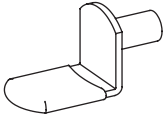
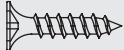
PARTS LIST

ITEM	DESCRIPTION	THUMBNAIL	QUANTITY
14	Left Skirting		1
15	Right Skirting		1
16	Base Support		2
17	Right Side Panel		1
18	Fireplace Insert		1
19	Remote Control with Batteries		1

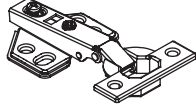

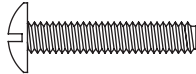
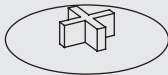
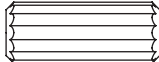
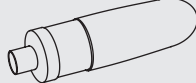
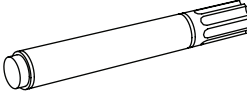

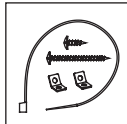
EXPLODED PARTS



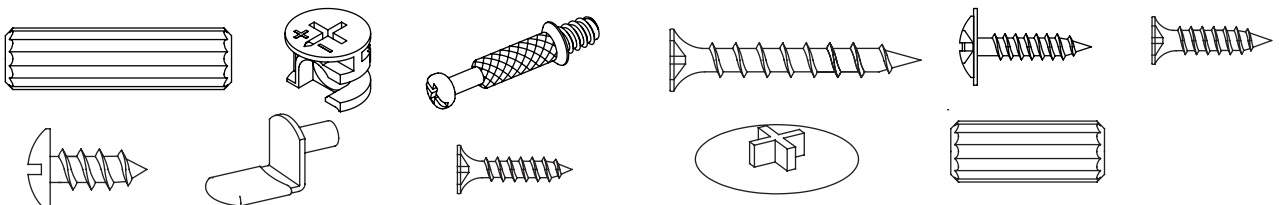
HARDWARE LIST

ITEM	DESCRIPTION	THUMBNAIL	QUANTITY
A	Wood Dowel M8x30mm		38
B	Cam Lock		45
C	Cam Bolt		45
D	Screw M4x32mm		6
E	Washer Head Screw M3.5x15mm		28
F	Screw M3x15mm		4
G	Door Stopper		2
H	Pan Head Screw M5x12mm		8
I	L-shaped Metal Bracket		2
J	Shelf Support		8
K	Zinc Screw M4x14mm		48

HARDWARE LIST

ITEM	DESCRIPTION	THUMBNAIL	QUANTITY
L	Door Hinge		8
M	Door Handle		4
N	Bolt 5/32"x22mm		8
O	Cam Lock Cover		16
P	Wood Dowel M8x20mm		4
Q	Glue		2
R	Touch-up Pen		1
S	Acrylic Stopper		1
T	Tipping Restraint Hardware Kit		2

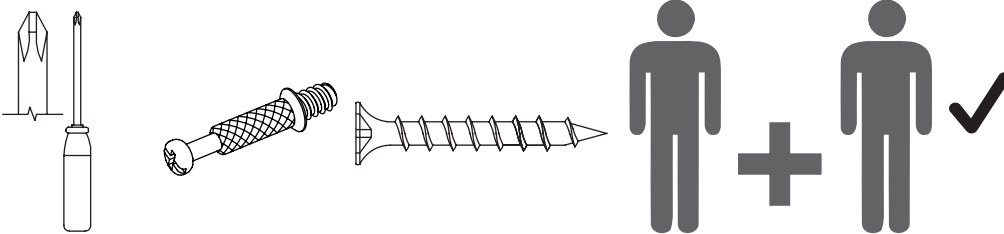
EXTRA HARDWARE BAG



BEFORE YOU BEGIN ASSEMBLY

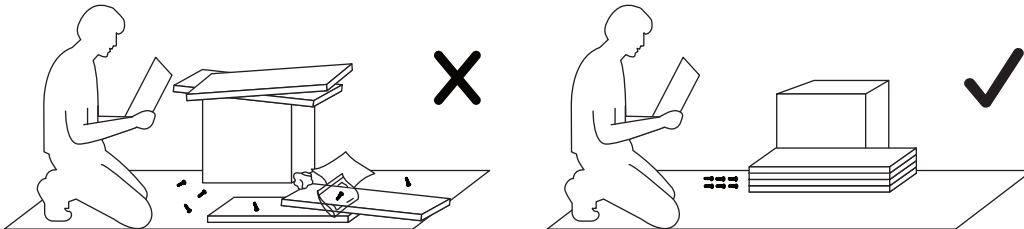
MAKE SURE ALL PARTS ARE PRESENT

Compare all pieces to the parts and hardware lists, and make sure you have all tools required for assembly.



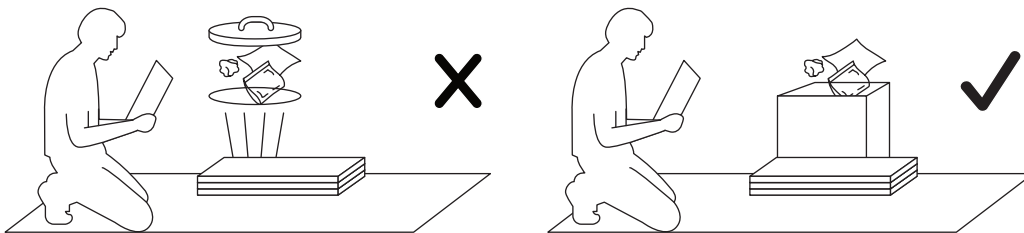
ASSEMBLE IN A CLEARED AREA

Place all parts from the box on the floor in front of you on a clean, dry, level surface to protect the product as it is being built.



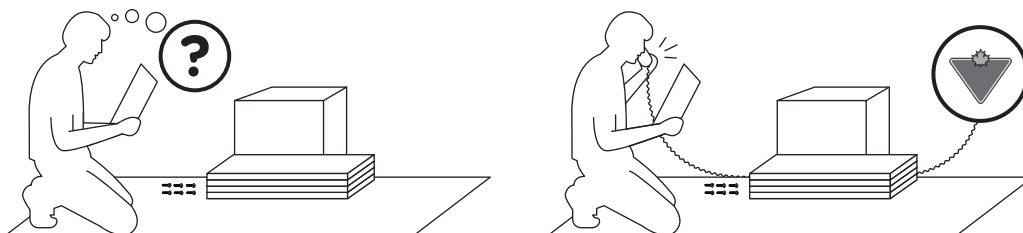
REMOVE PACKAGING MATERIALS

Place packing materials back in the box. Do not dispose of packaging materials until assembly is complete.



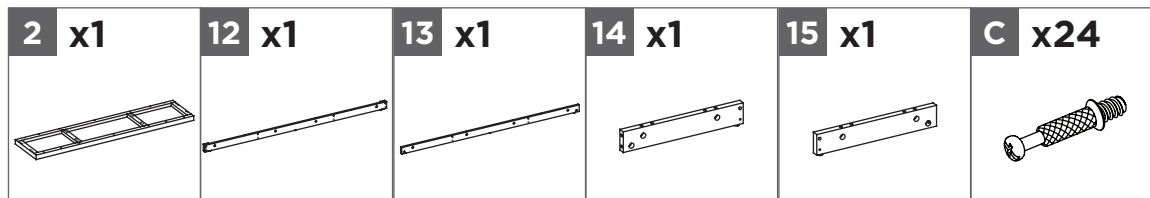
READ EACH STEP CAREFULLY

Make sure you understand each step. If you have any questions, contact CANVAS® customer service at 1-888-670-6684 (toll free).



STEP-BY-STEP GUIDE

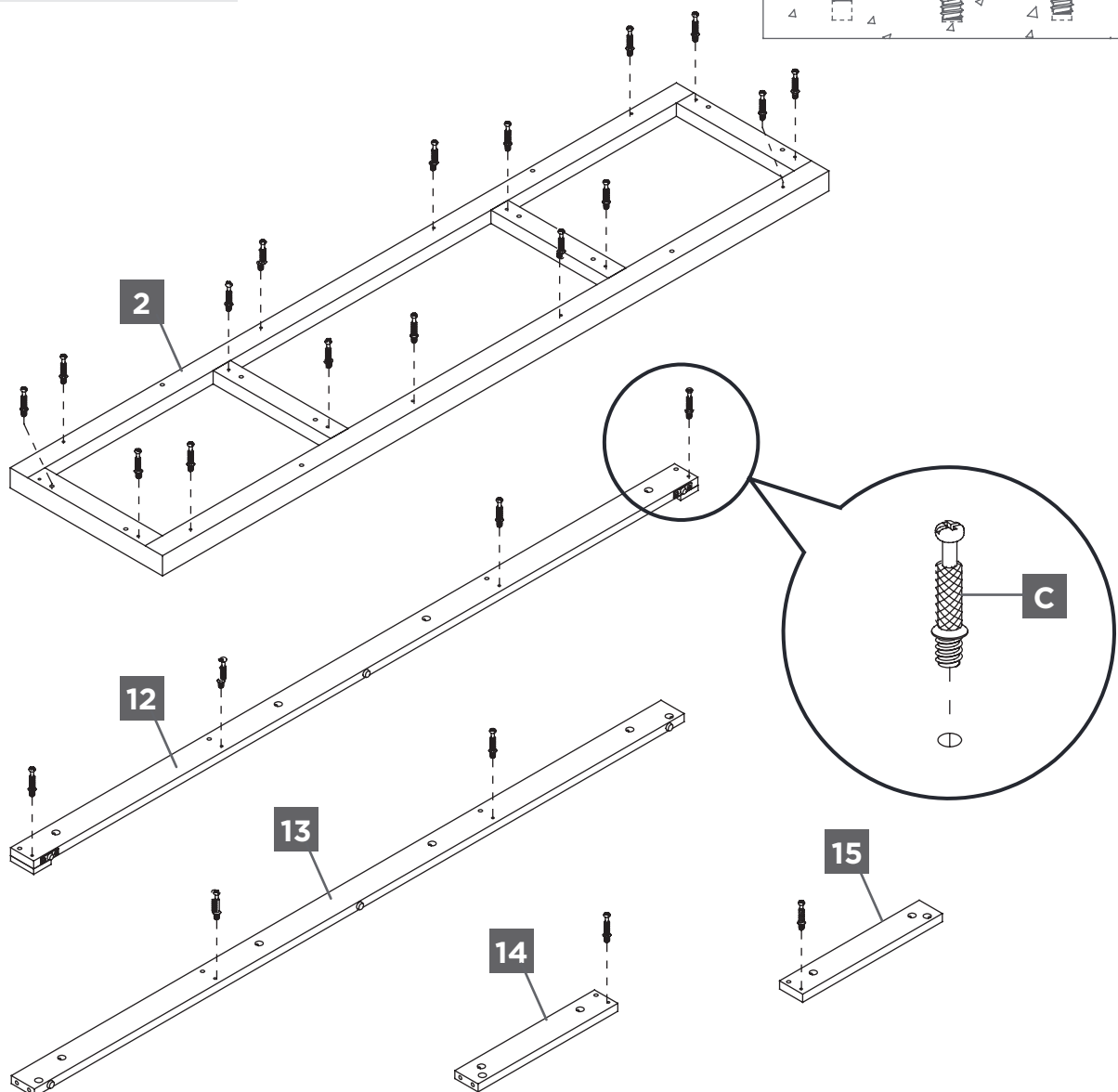
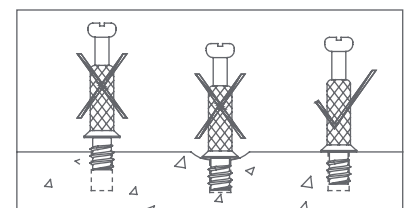
STEP 1



Securely screw the cam bolts **C** into the designated small holes on the bottom panel **2**, skirting boards (**12**, **13**, **14** and **15**) using a cross-head screwdriver.

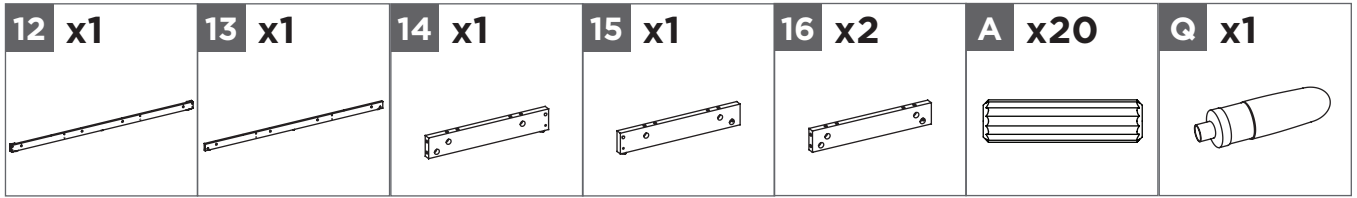
NOTE:

Ensure cam bolts are flush all the way and straight.



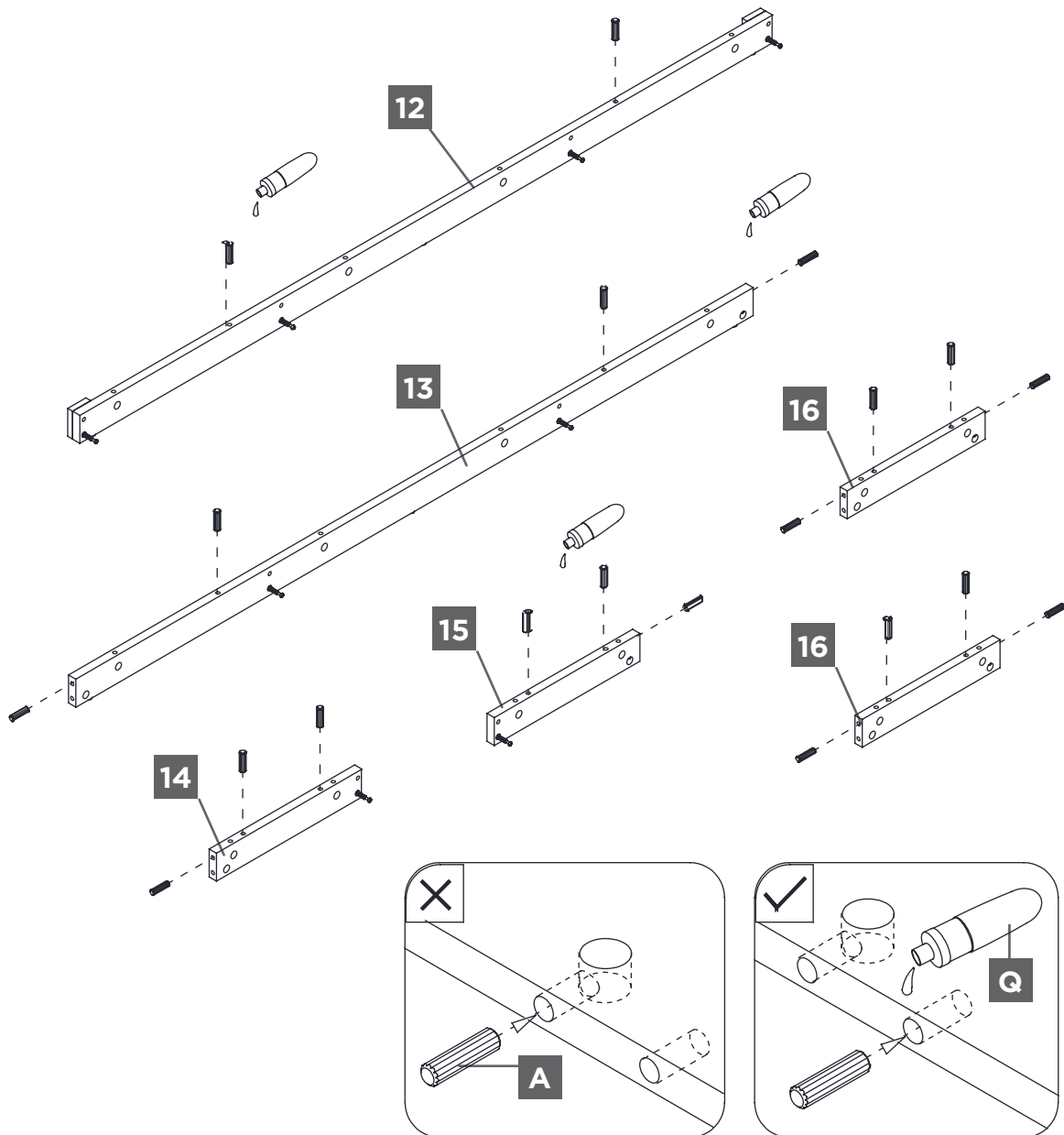
STEP-BY-STEP GUIDE

STEP 2



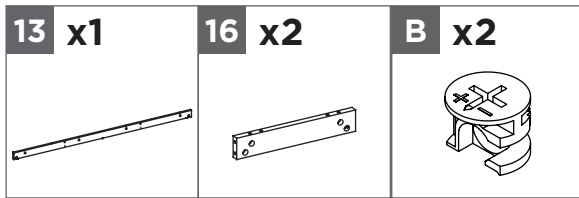
Glue the wood dowels **A** into the inner holes on the skirting boards (**12**, **13**, **14** and **15**) and the base supports **16**.

NOTE: It is very important to use a small amount of glue **Q** on ends of dowels and wipe away excess glue immediately.

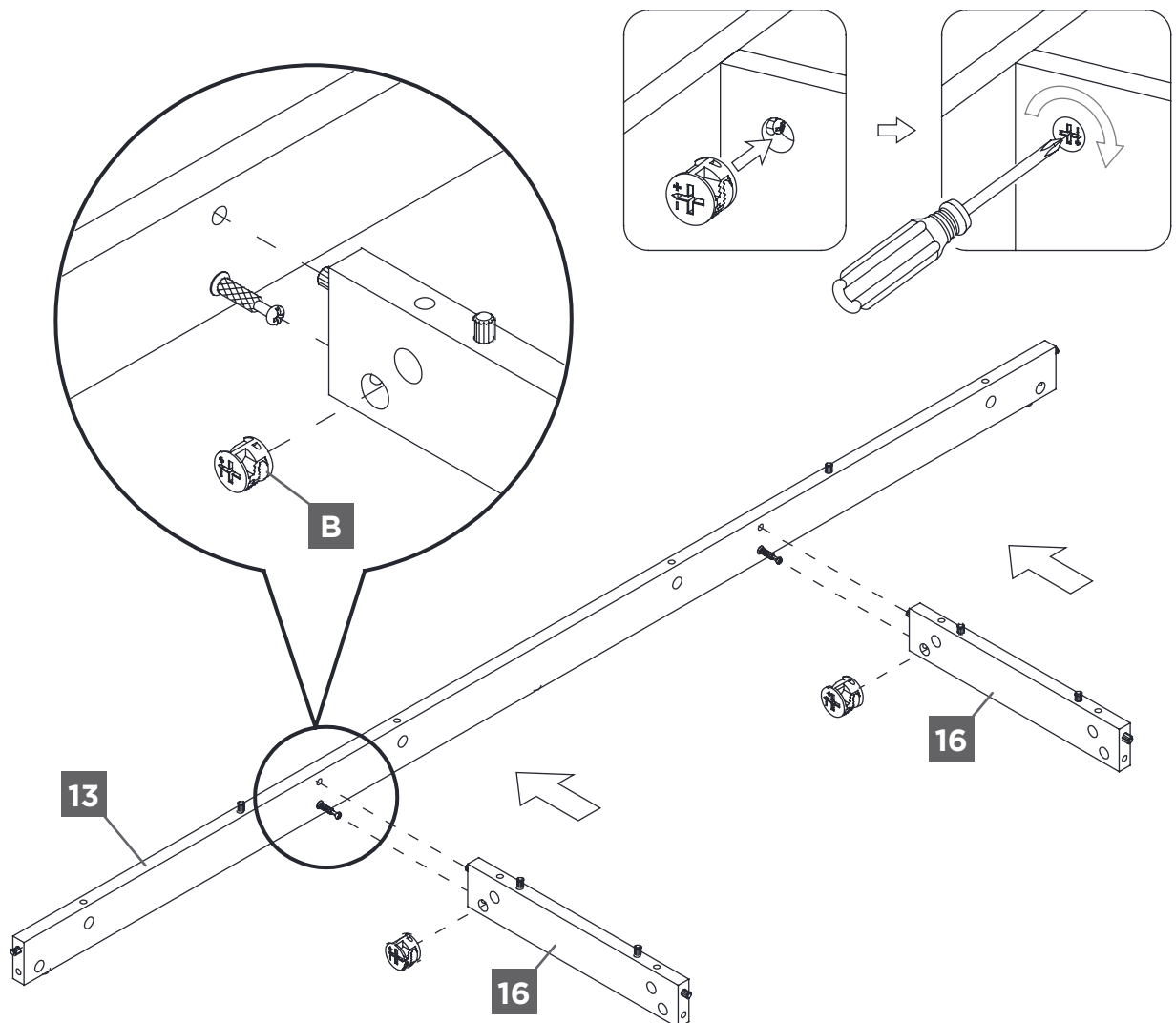


STEP-BY-STEP GUIDE

STEP 3

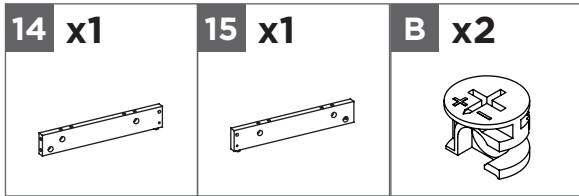


Attach two base supports **16** to the back skirting **13** by engaging two cam locks **B**.

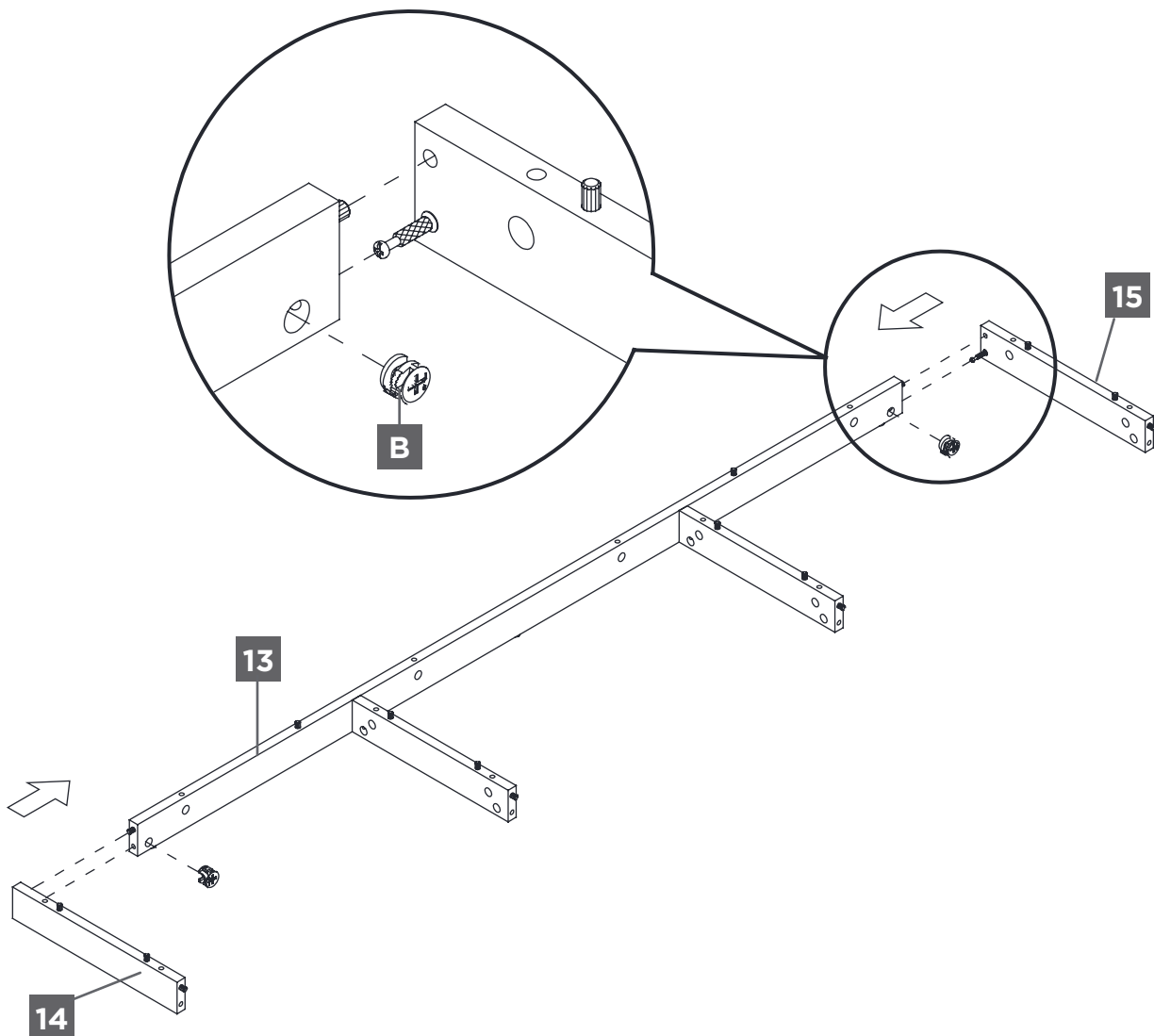


STEP-BY-STEP GUIDE

STEP 4

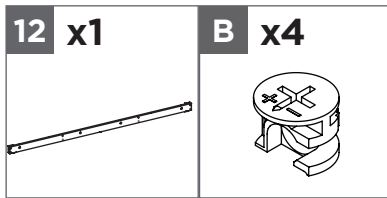


Attach the left skirting **14** to the back skirting **13** by engaging one cam lock **B**. Repeat the same step to attach the right skirting **15**.

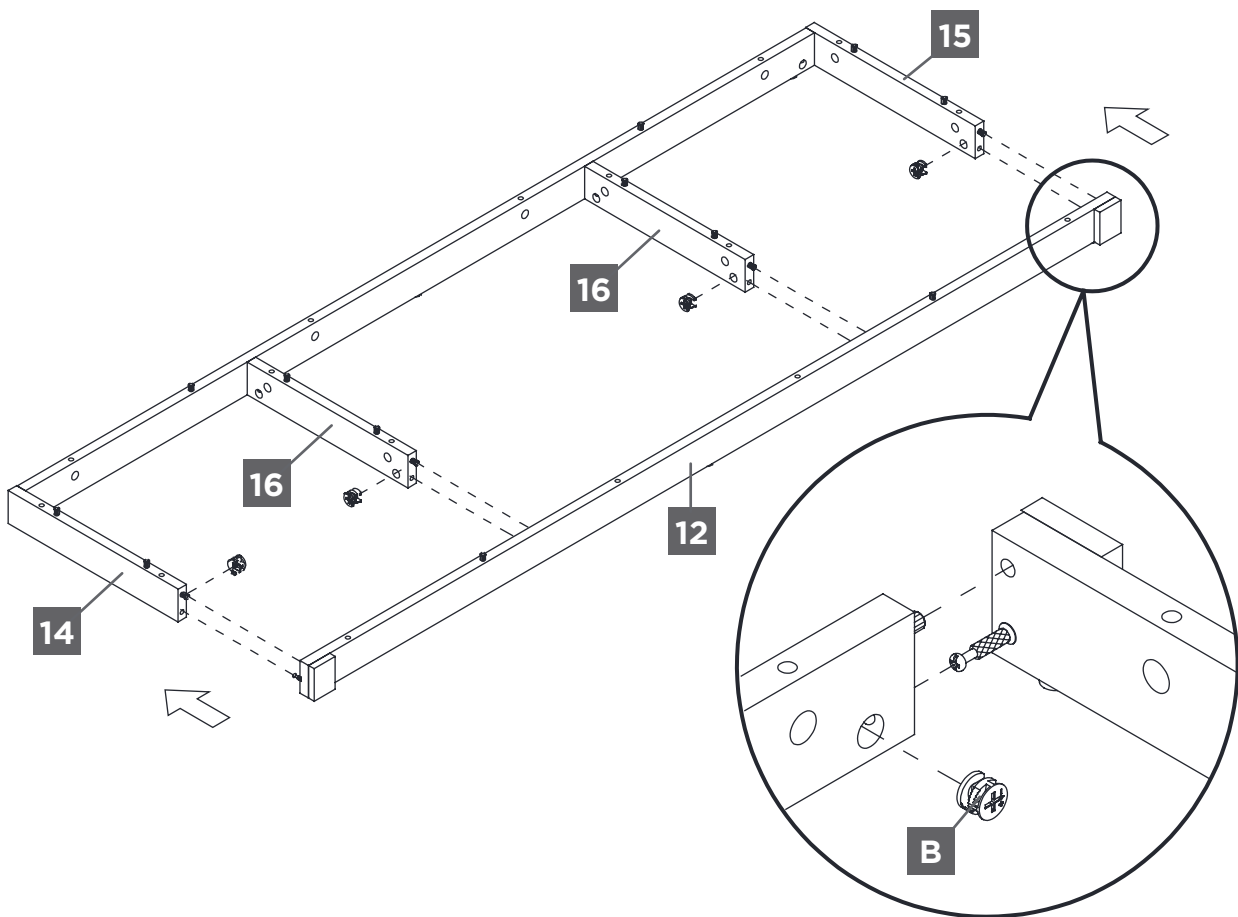


STEP-BY-STEP GUIDE

STEP 5

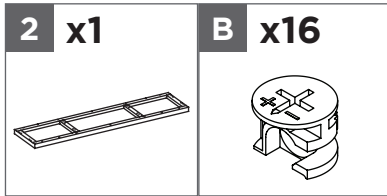


Align and attach the front skirting **12** to the side skirtings (**14** and **15**) and the base supports **16** by engaging four cam locks **B**.

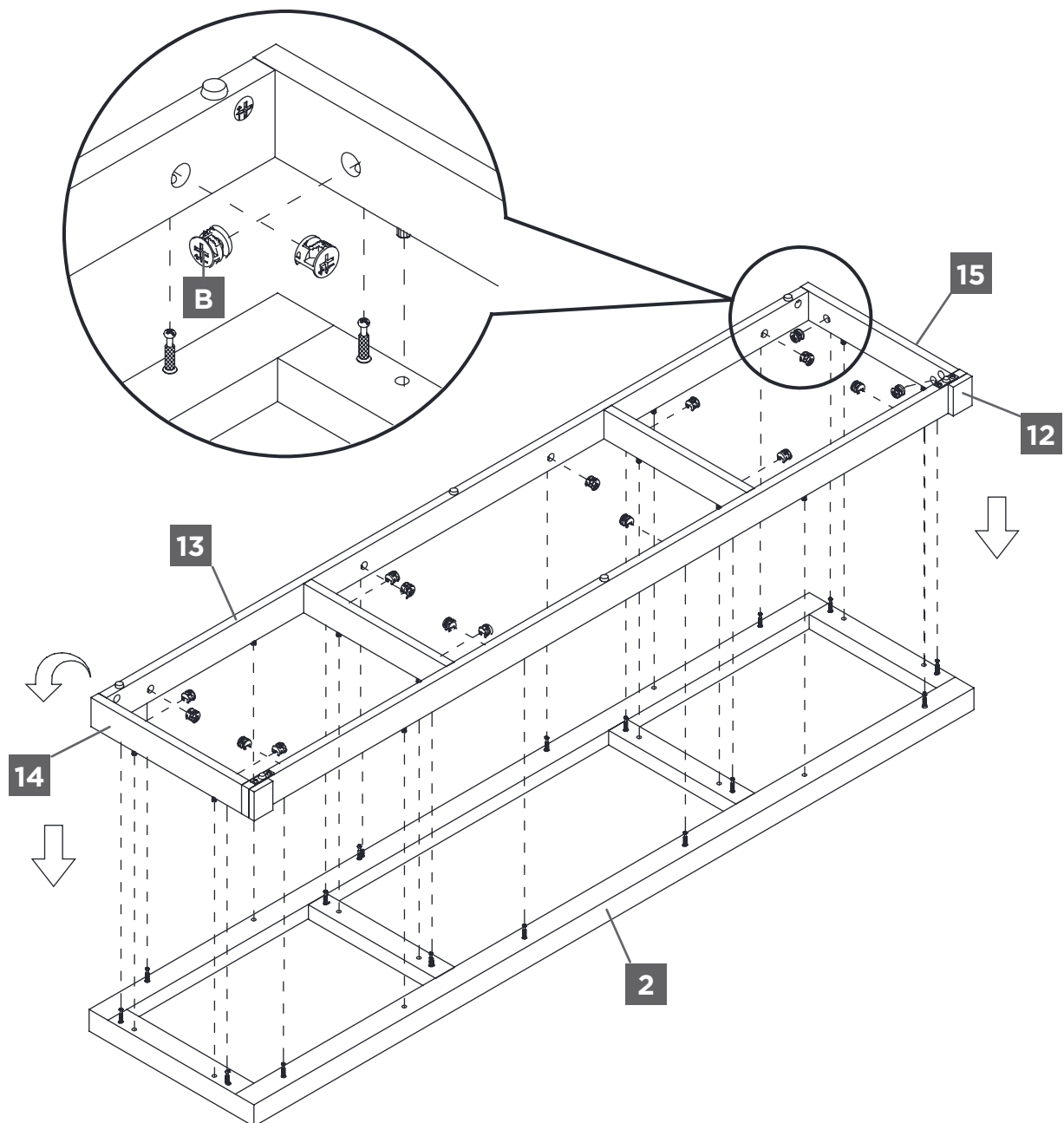


STEP-BY-STEP GUIDE

STEP 6



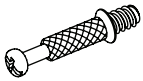
Align and attach the previous assembly to the bottom panel **2** by engaging sixteen cam locks **B**.



STEP-BY-STEP GUIDE

STEP 7

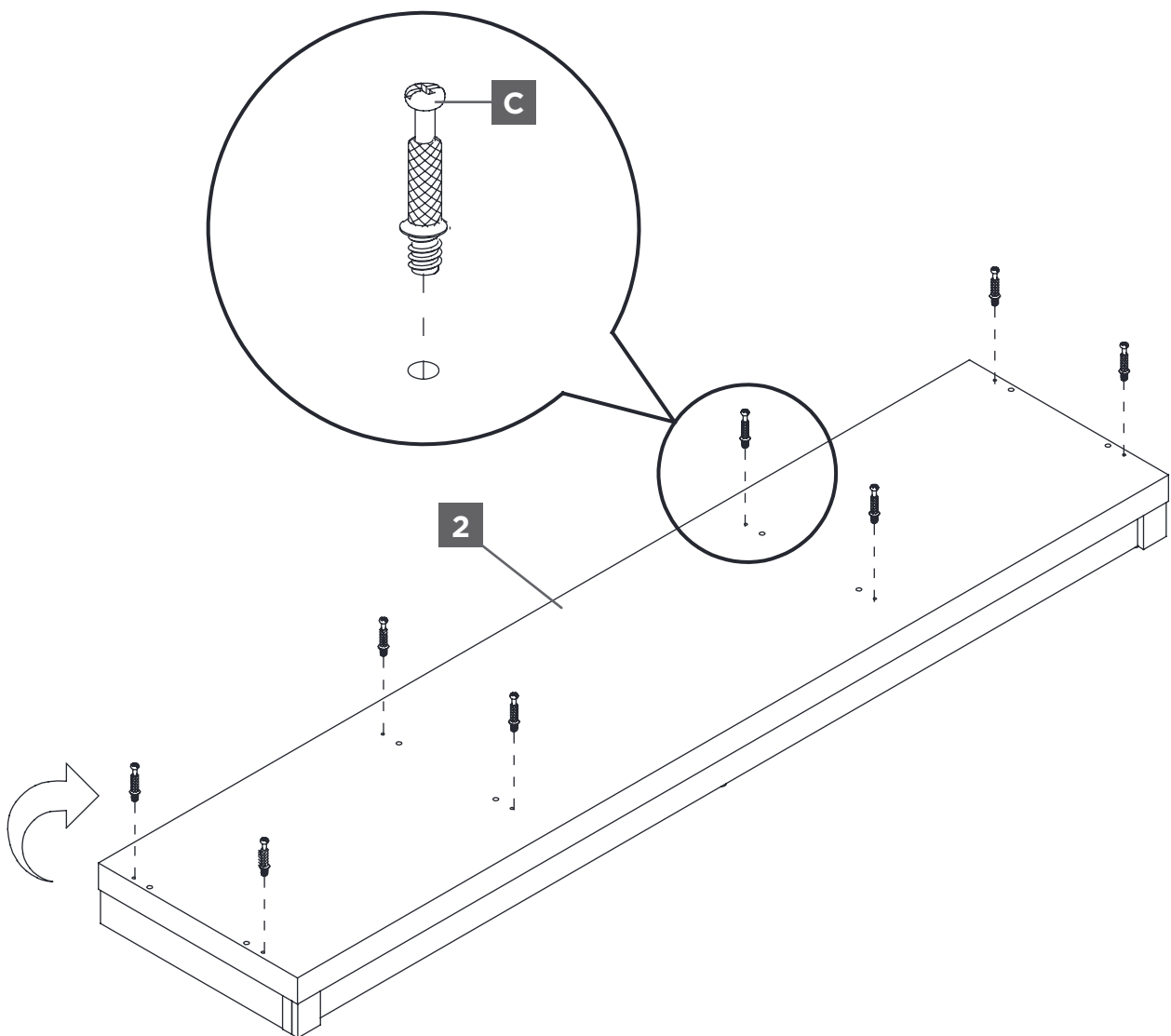
C x8



Securely screw the cam bolts **C** into the designated small holes on the bottom panel **2** using a cross-head screwdriver.

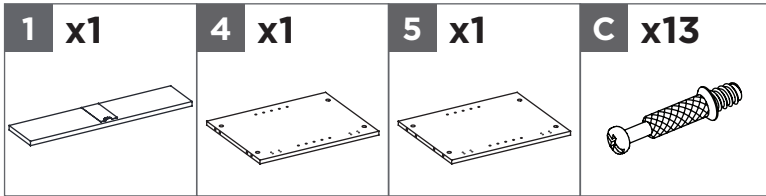
NOTE:

Ensure cam bolts are flush all the way and straight.

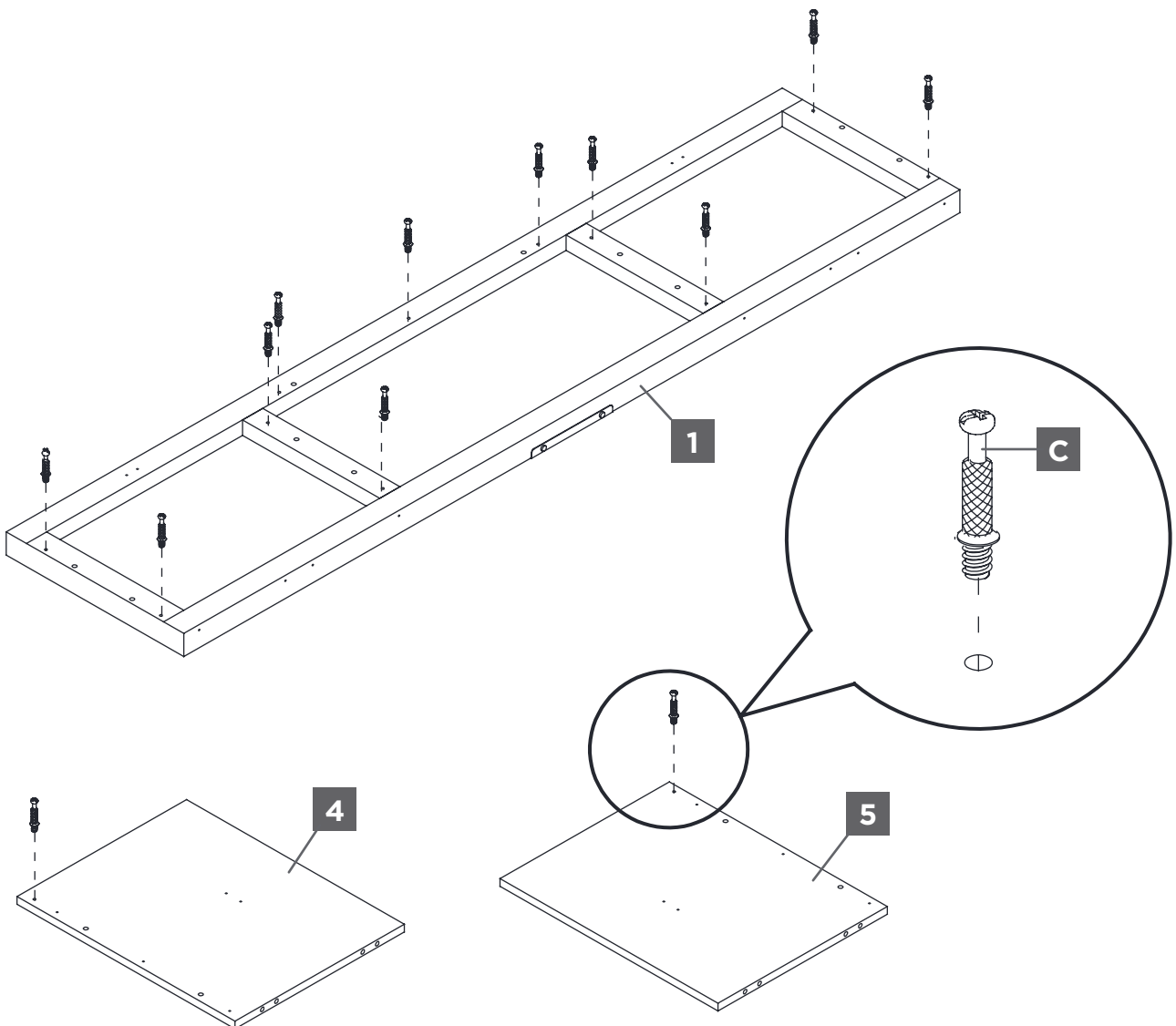


STEP-BY-STEP GUIDE

STEP 8



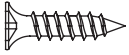
Securely screw the cam bolts **C** into the designated small holes on the top panel **1** and partition panels (**4** and **5**) using a cross-head screwdriver.



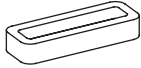
STEP-BY-STEP GUIDE

STEP 9

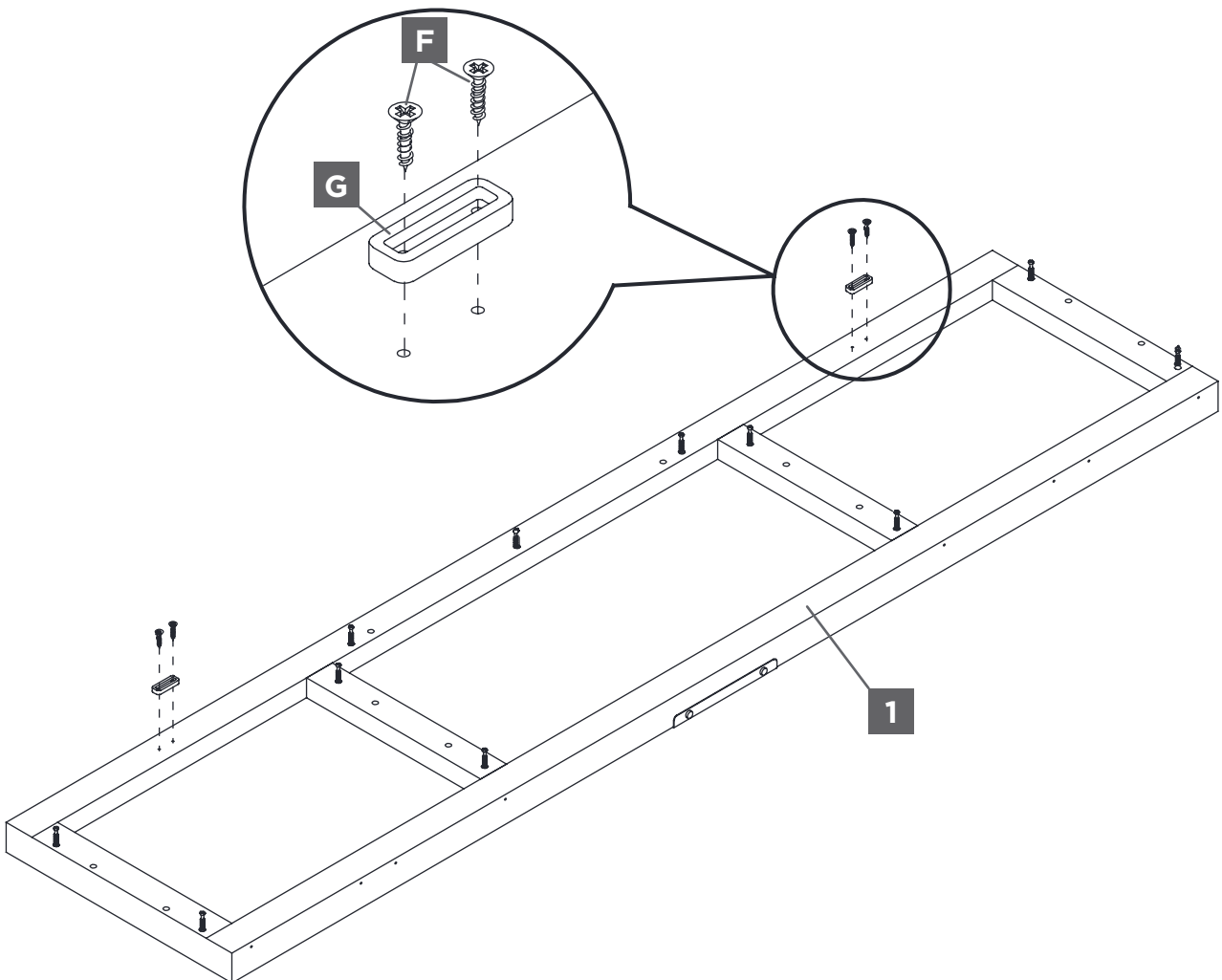
F x4



G x2

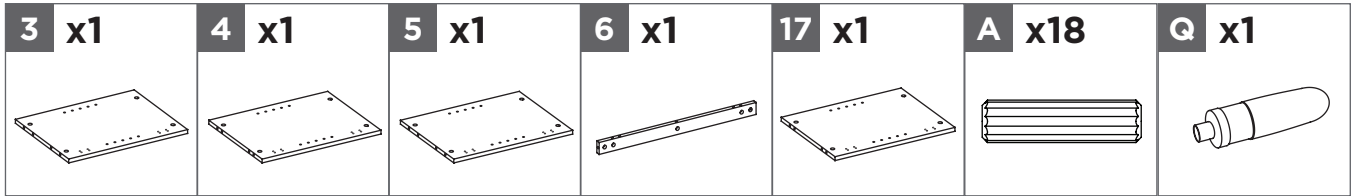


Using the pilot holes as a guide, fasten two door stoppers **G** to the top panel **1** with two M3x15mm screws **F** in each.

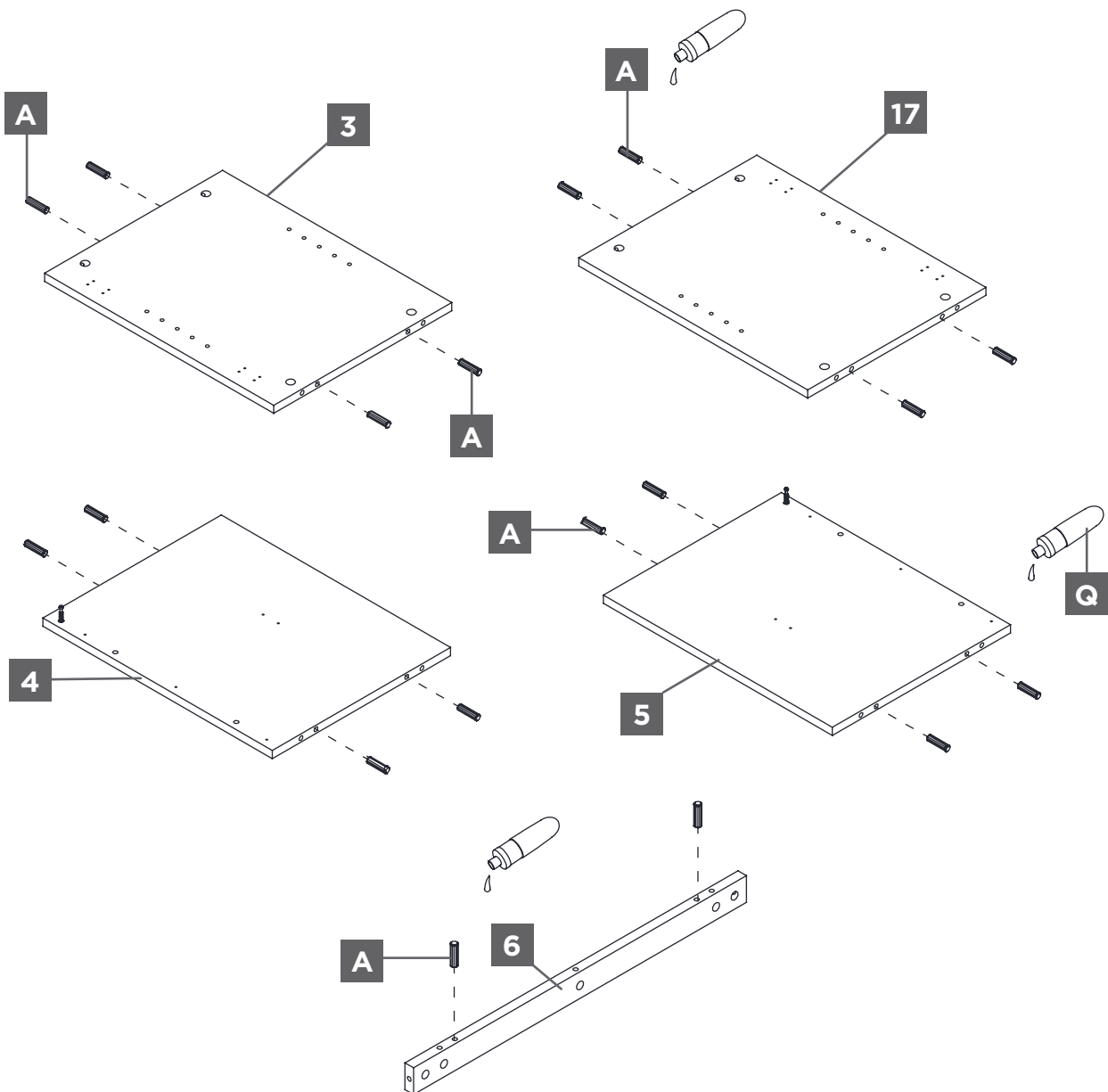


STEP-BY-STEP GUIDE

STEP 10

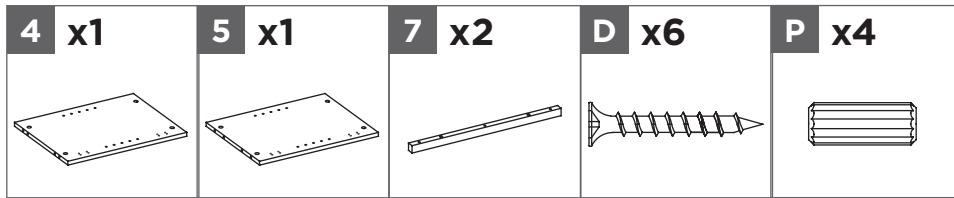


Glue the wood dowels **A** into the inner holes on the side panels (**3** and **17**), partition panels (**4** and **5**) and middle crossbar **6** as shown.



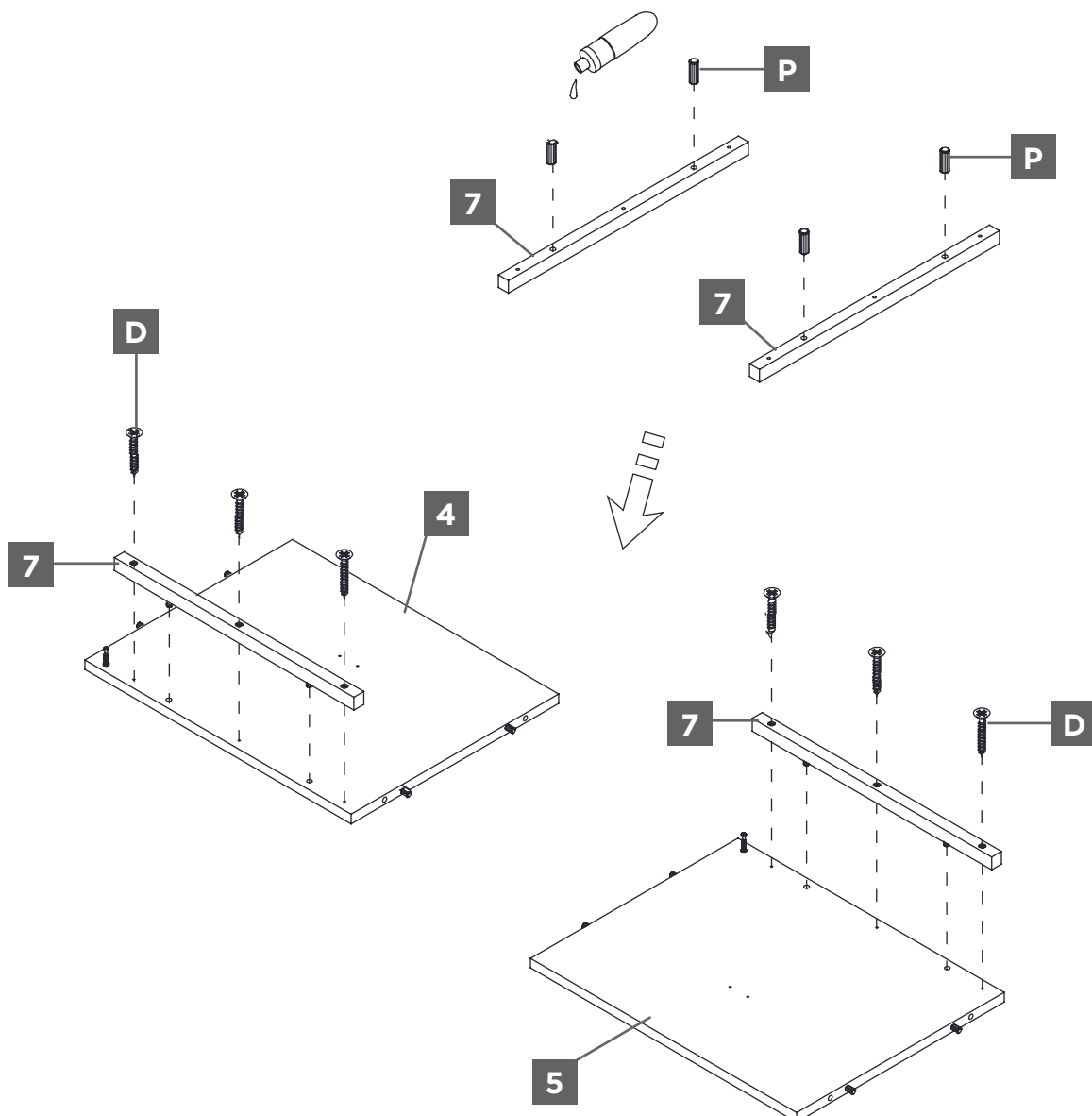
STEP-BY-STEP GUIDE

STEP 11



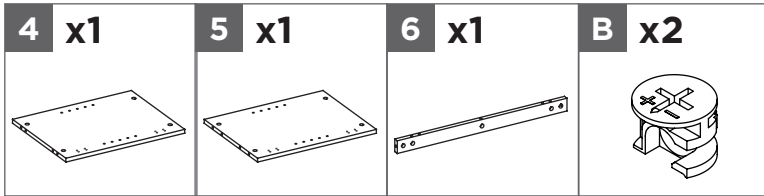
Glue two short wood dowels **P** into the inner holes on one middle stile **7** and attach it to the left partiton panels **4** with three M4x32mm screws **D**.

Repeat the same process to attach the other middle stile **7** to the right partiton **5**.



STEP-BY-STEP GUIDE

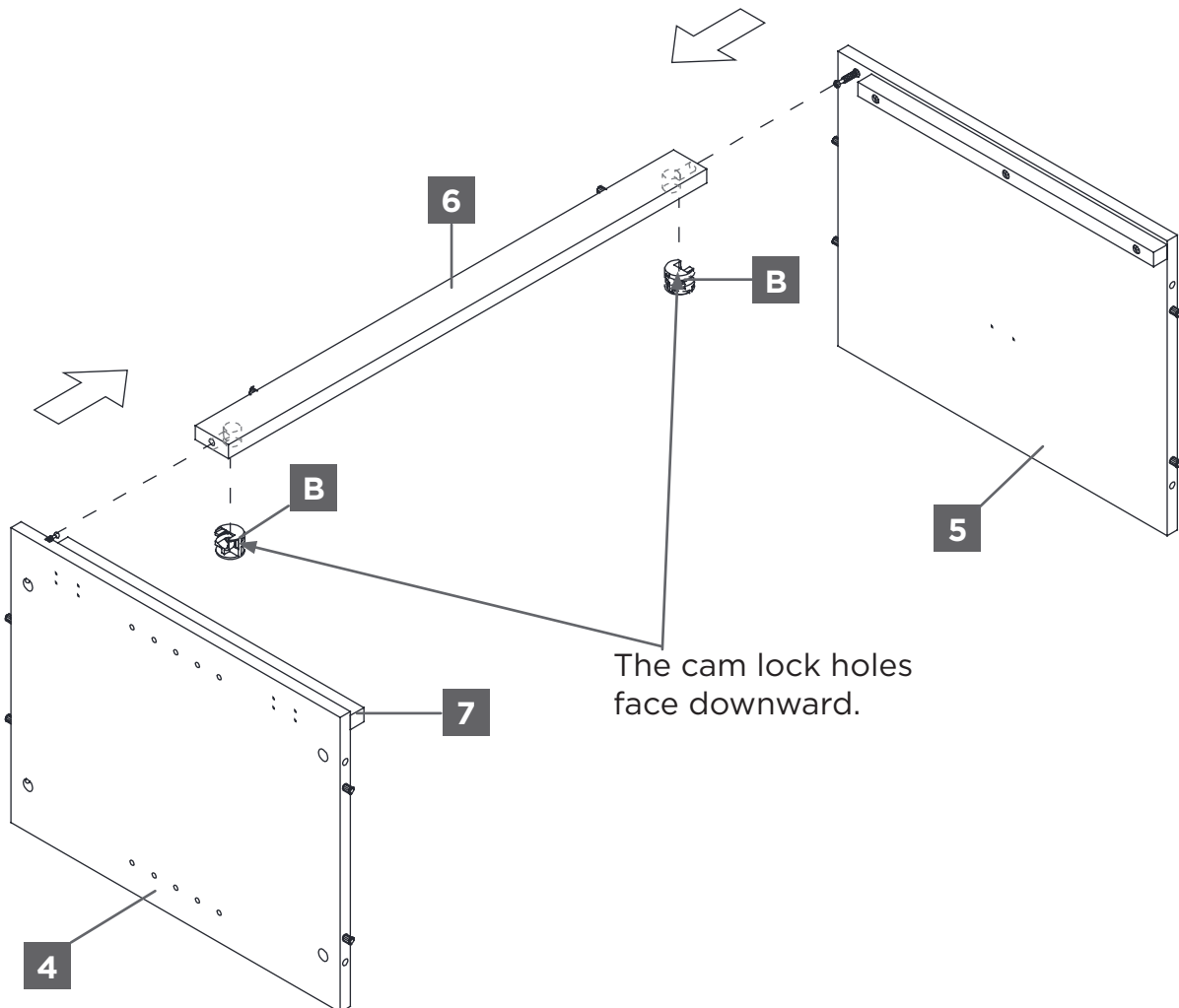
STEP 12



Align and attach the middle crossbar **6** between the partition panels (**4** and **5**) by engaging two cam locks **B**.

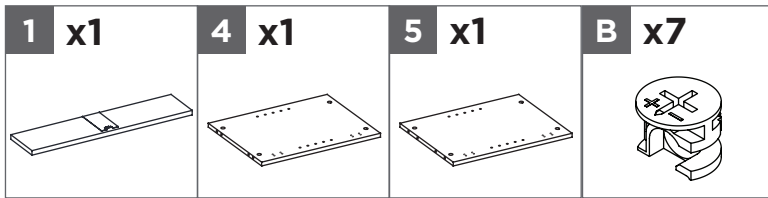
NOTE:

The middle stiles **7** line up with the middle crossbar **6**.

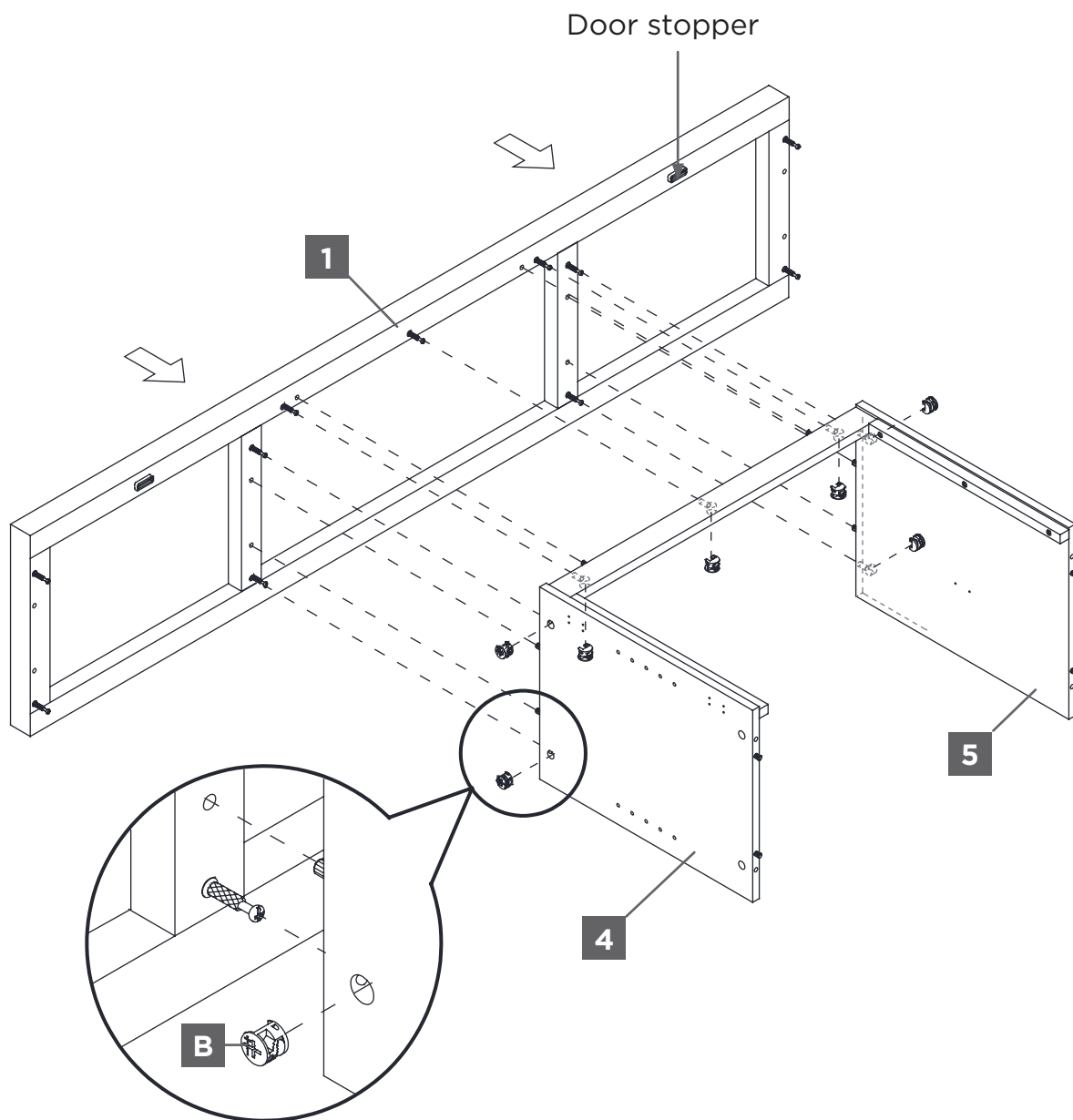


STEP-BY-STEP GUIDE

STEP 13

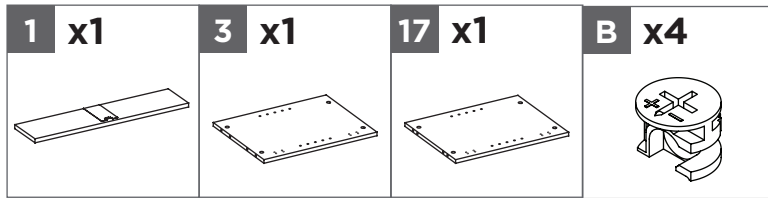


Attach the previous assembly to the top panel **1** by engaging seven cam locks **B**.

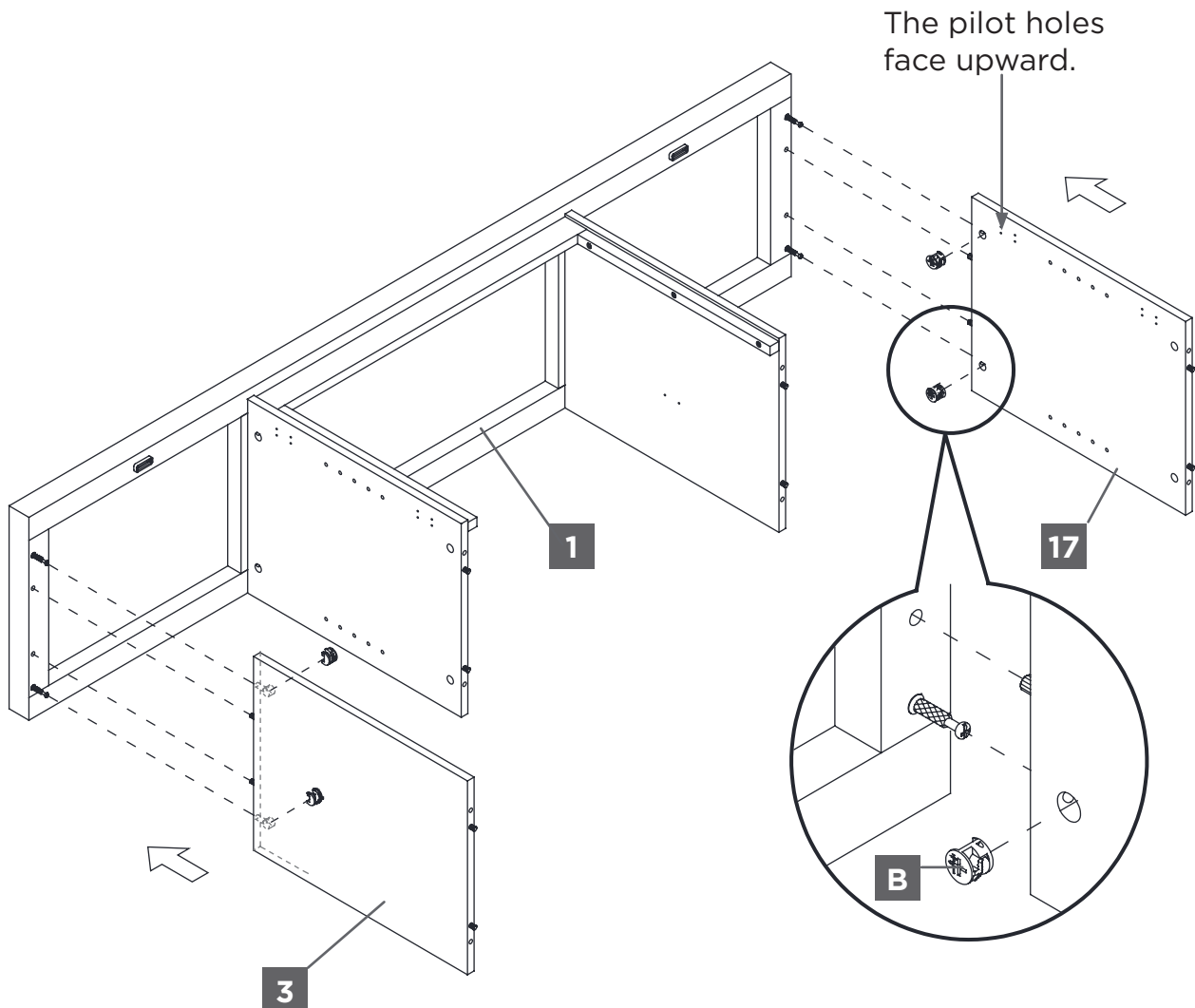


STEP-BY-STEP GUIDE

STEP 14

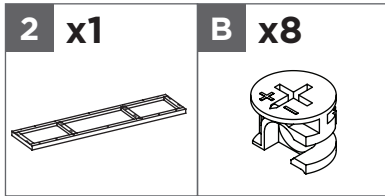


Attach the side panels (**3** and **17**) to the top panel **1** by engaging four cam locks **B**.



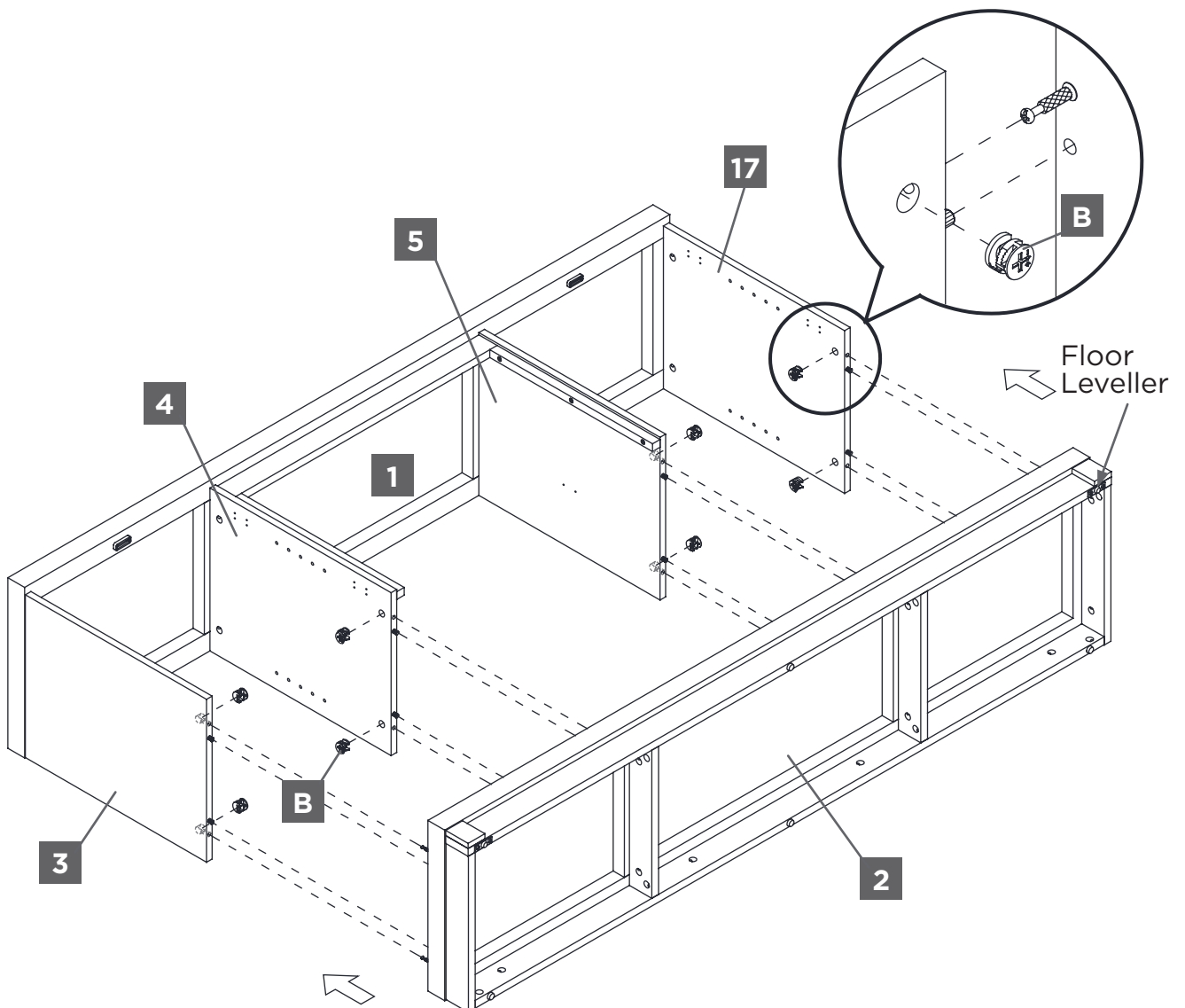
STEP-BY-STEP GUIDE

STEP 15



Align the large holes on the bottom panel **2** with the inserted wood dowels on the vertical panels (**3**, **4**, **5** and **17**) and press them together.

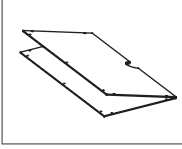
Attach the bottom panel **2** in place by engaging eight cam locks **B**.



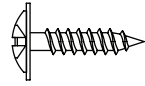
STEP-BY-STEP GUIDE

STEP 16

10 x2



E x28



Go back and fully tighten all the fasteners. Make sure there are no gaps between the parts. This will help keep the unit square.

Flip around the assembled unit on its front edges.

Unfold the back panels **10** and align the predrilled holes with pilot holes on the top panel **1**, bottom panel **2** and vertical panels (**3**, **4**, **5** and **17**).

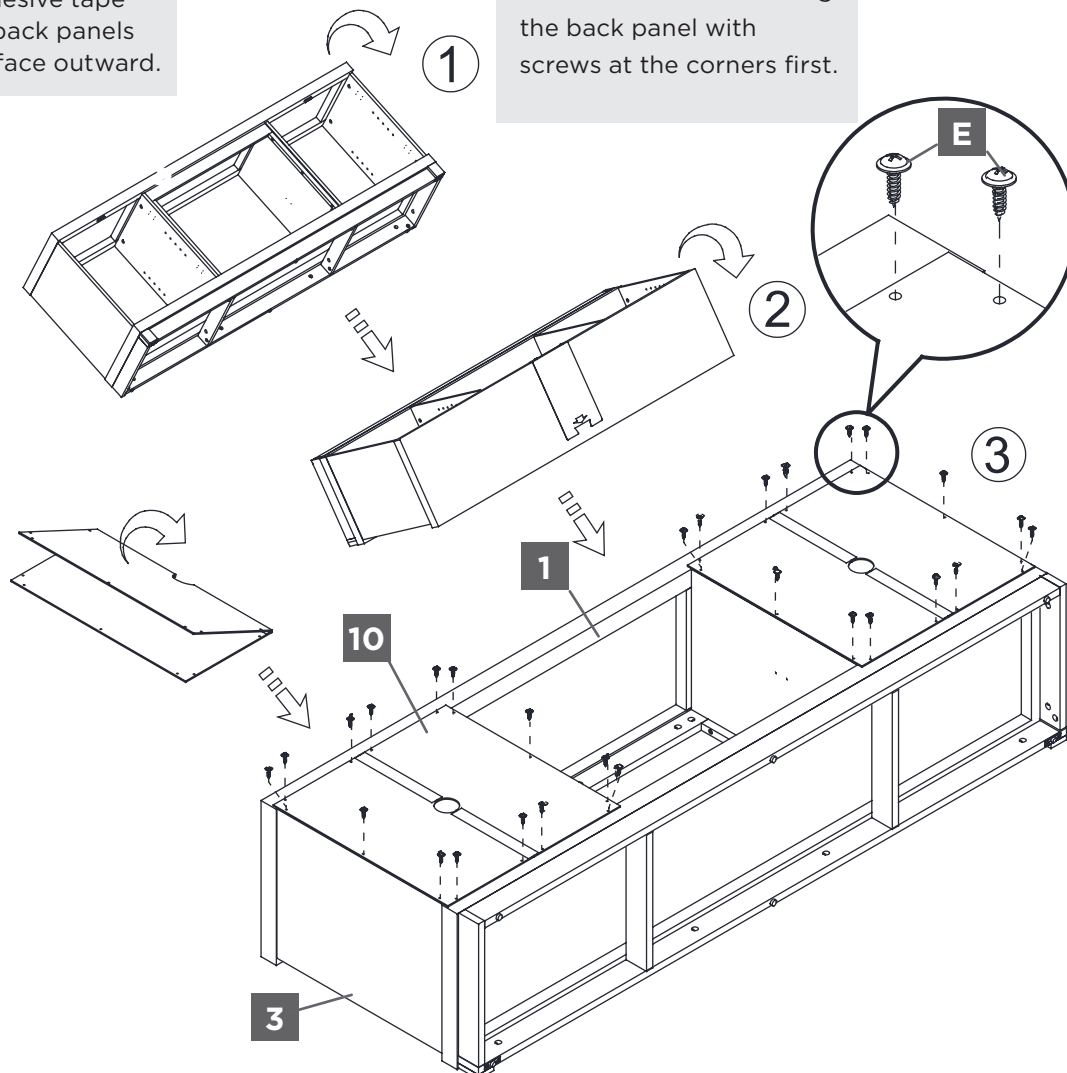
Attach the back panels **10** in place with the provided M3.5x15mm washer head screws **E**.

NOTE:

The adhesive tape on the back panels should face outward.

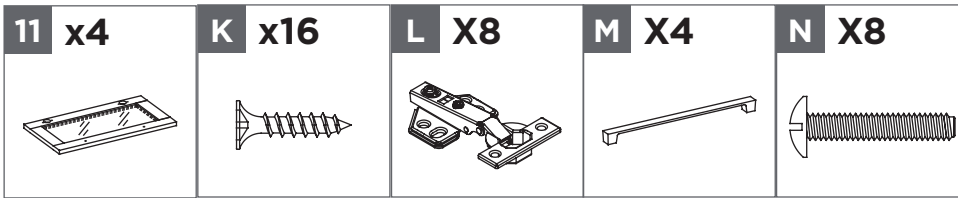
NOTE:

We recommend attaching the back panel with screws at the corners first.



STEP-BY-STEP GUIDE

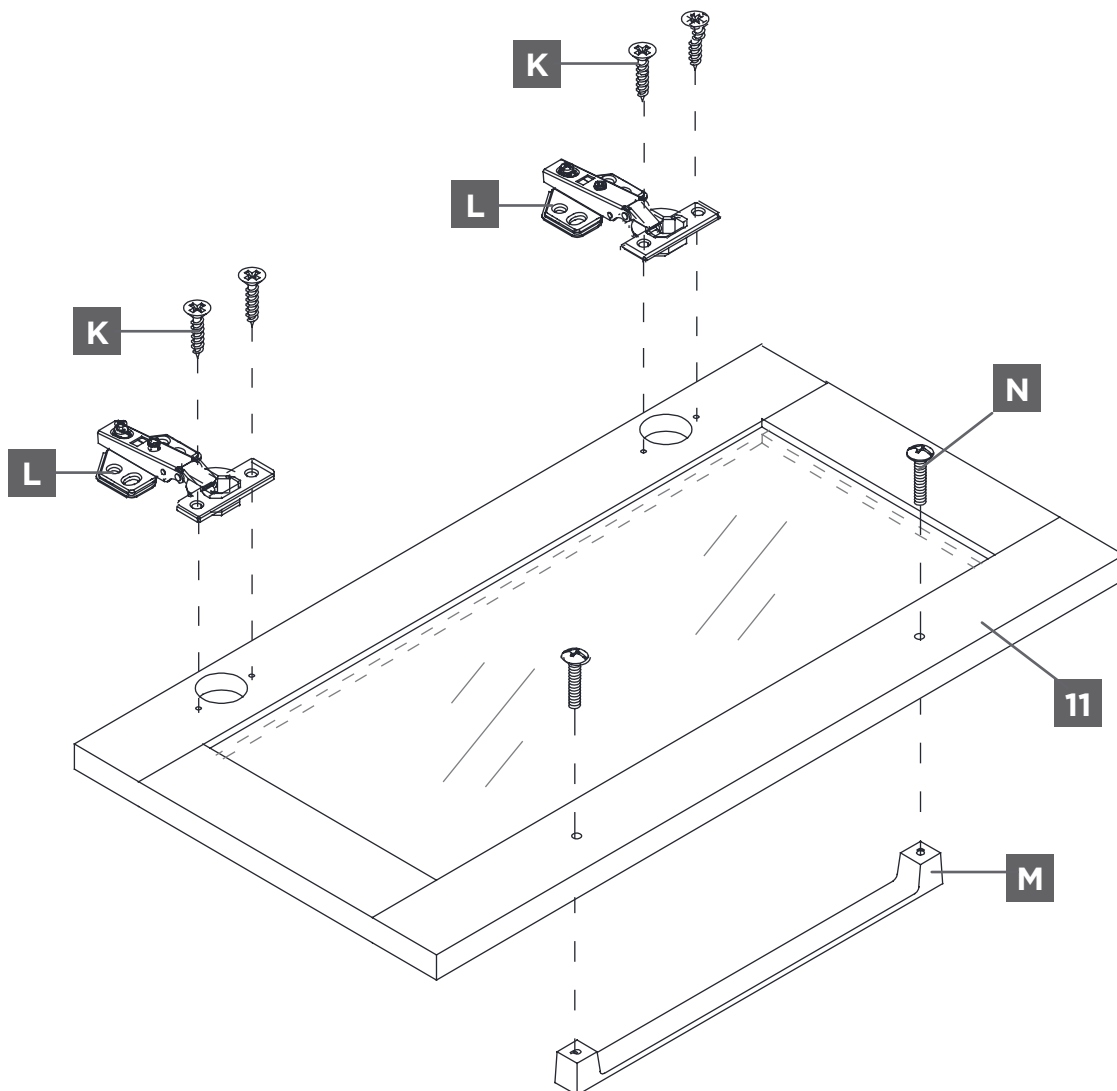
STEP 17



Extend two door hinges **L** and rest the hinge cups onto the cutouts of one door **11**. Fasten them into place with four M4x14mm zinc screws **K**.

Install one handle **M** to the front side of the door with two 5/32"x22mm bolts **N**.

Repeat the same process for the remaining doors **11**.

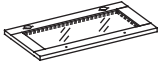


x 4

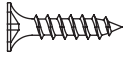
STEP-BY-STEP GUIDE

STEP 18

11 x4



K x32

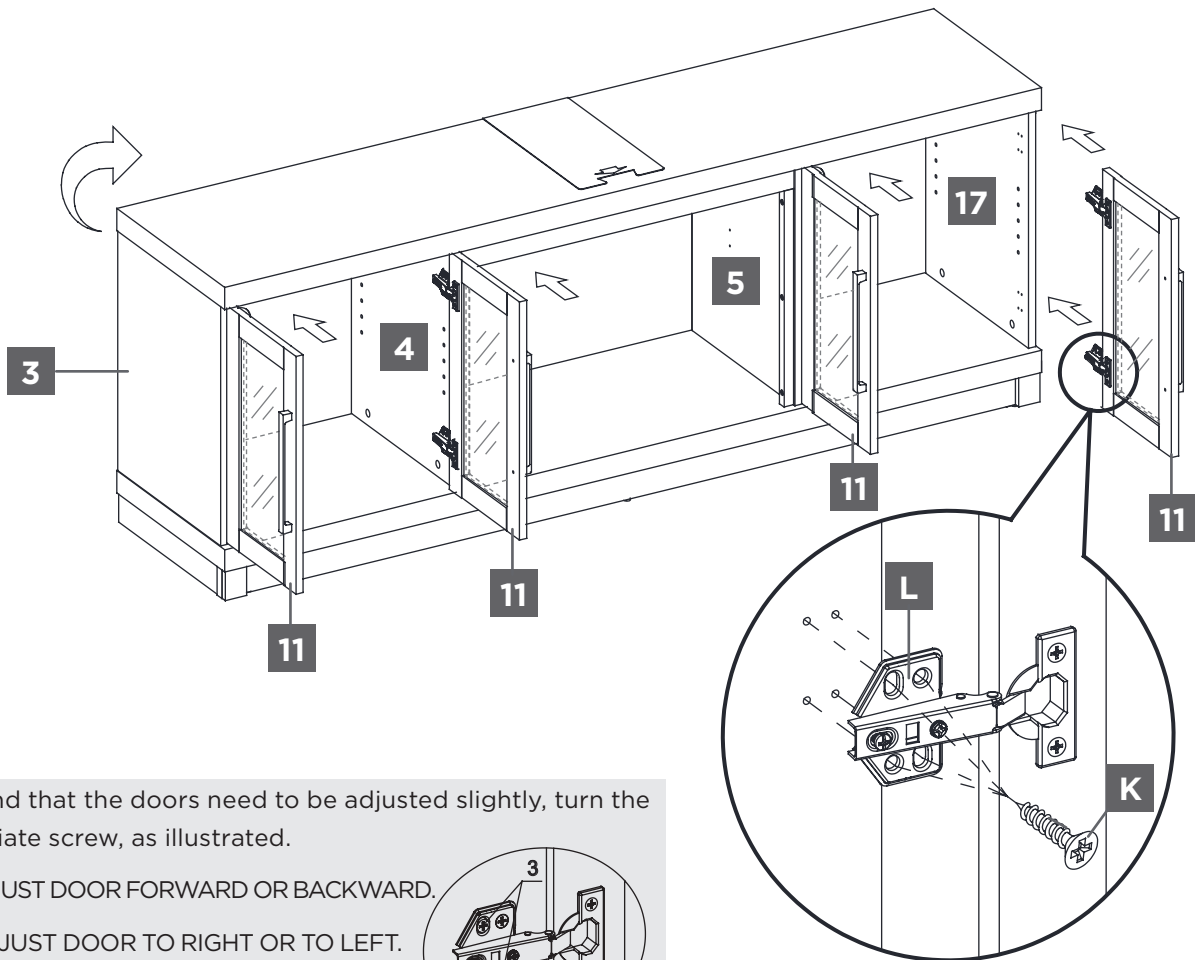


Lift the assembled unit upright and position it near its final location with room to access the back with the fireplace insert.

Pick up one door **11** and fasten the hinge bases **L** onto the left side panel **3** with eight M4x14mm zinc screws **K**, using the pilot holes as a guide.

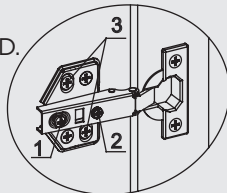
Repeat the same process to attach the rest of the doors to the right side panel **17** and partition panels (**4** and **5**).

Open and close the doors to make sure they are aligned and shut correctly. If necessary, adjust the screws on the hinge arm for a better fit.



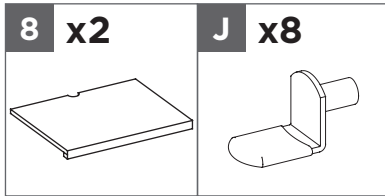
If you find that the doors need to be adjusted slightly, turn the appropriate screw, as illustrated.

1. TO ADJUST DOOR FORWARD OR BACKWARD.
2. TO ADJUST DOOR TO RIGHT OR TO LEFT.
3. TO ADJUST DOOR UP OR DOWN.

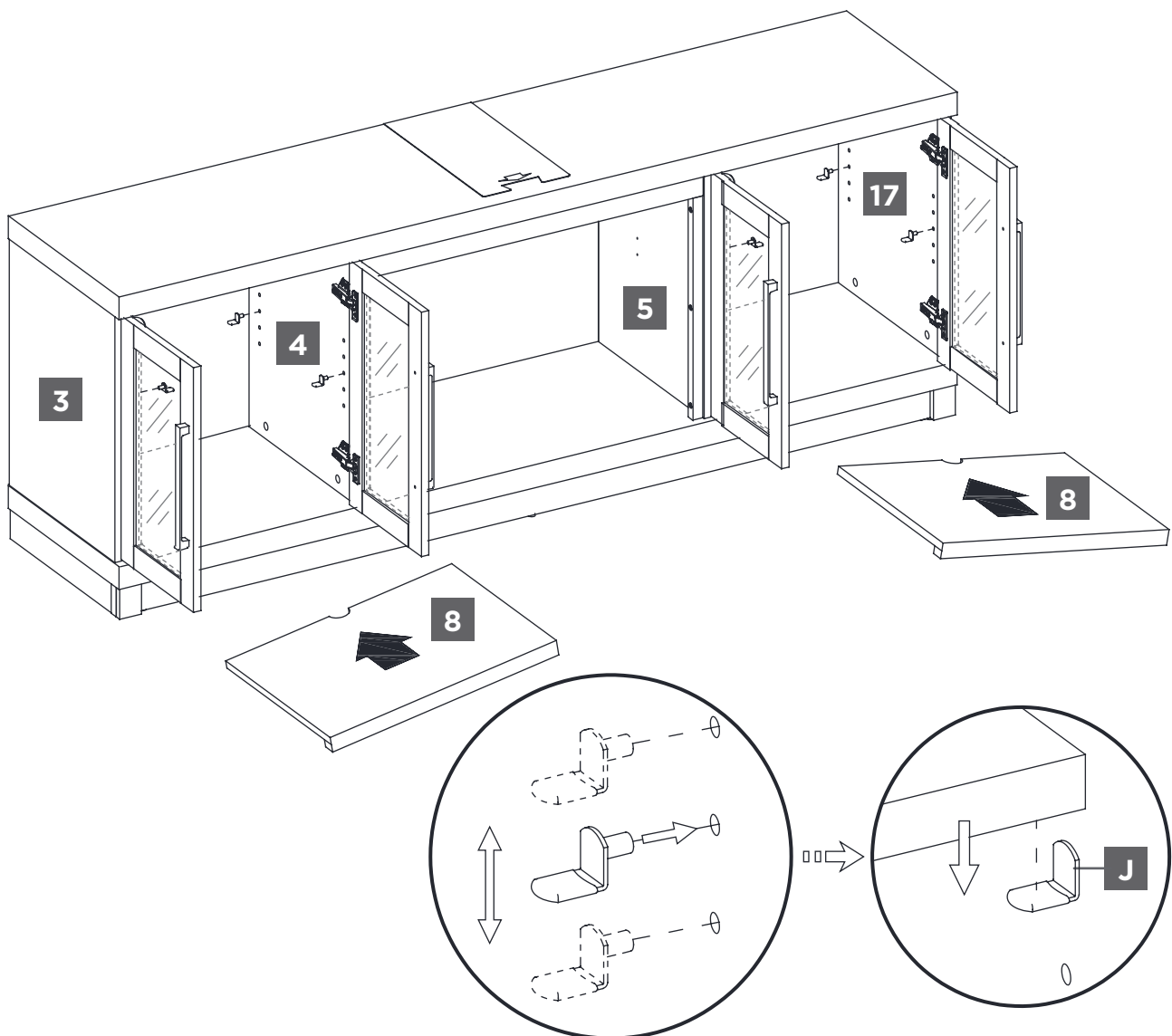


STEP-BY-STEP GUIDE

STEP 19



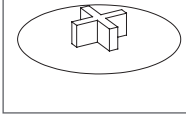
Open the doors and insert four shelf supports **J** in the holes at the desired height inside each side compartment. Make sure you place the four shelf supports at the same level so the shelf is not tilted. Tilt and rest the adjustable shelves **8** onto the shelf supports.



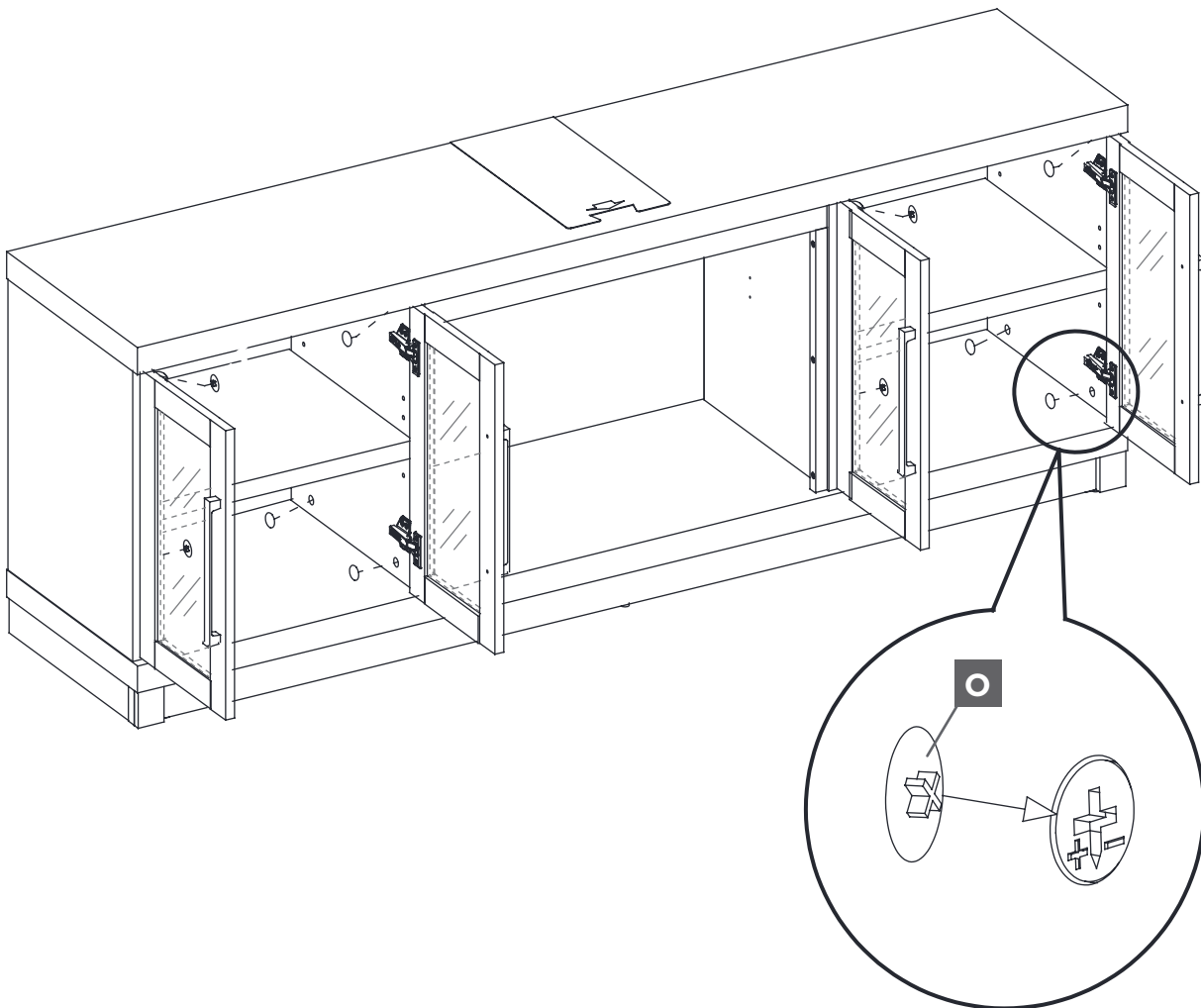
STEP-BY-STEP GUIDE

STEP 20

○ x16

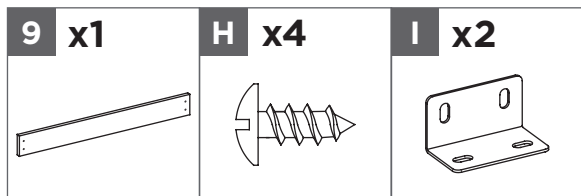


Plug the cam lock covers ○ onto the visible cam locks to conceal the cams.



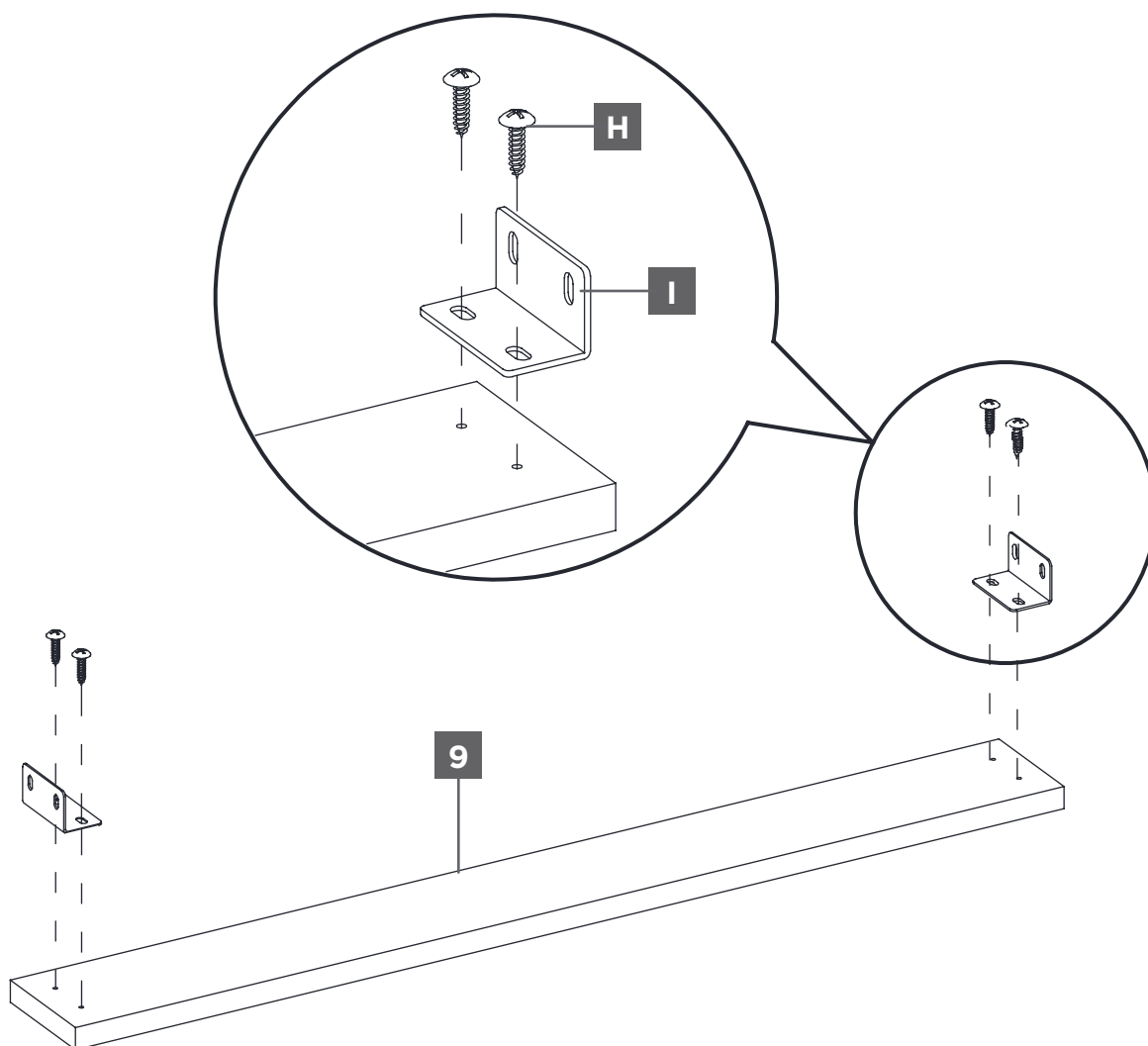
STEP-BY-STEP GUIDE

STEP 21



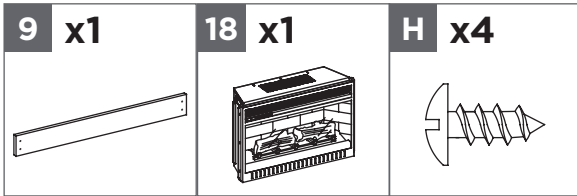
Using the pilot holes as a guide, fasten two L-shaped brackets **I** onto the firebox support **9** with four pan-head screws **H**.

Make sure that the right-angle side of the L-shaped brackets is flush with the end of the firebox support.



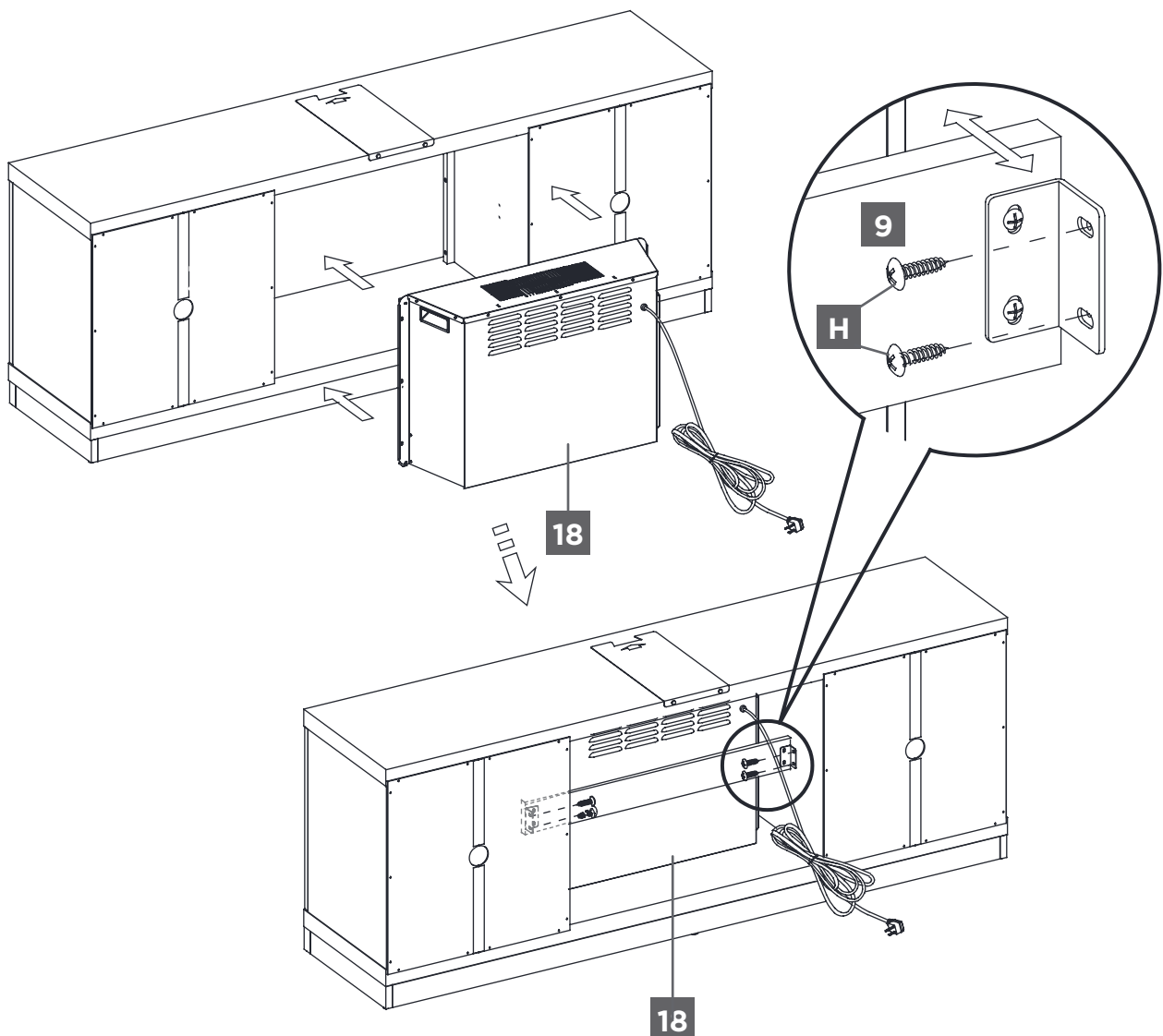
STEP-BY-STEP GUIDE

STEP 22



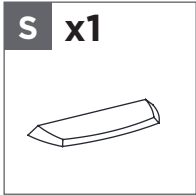
Lift the fireplace insert **18** carefully into the back of the assembled mantel and centre it in the opening. DO NOT drag the insert across the bottom panel as it may scratch the unit.

Using the pilot holes as a guide, fasten the firebox support **9** between the partition panels **4** and **5** with four M5x12mm pan-head screws **H**.



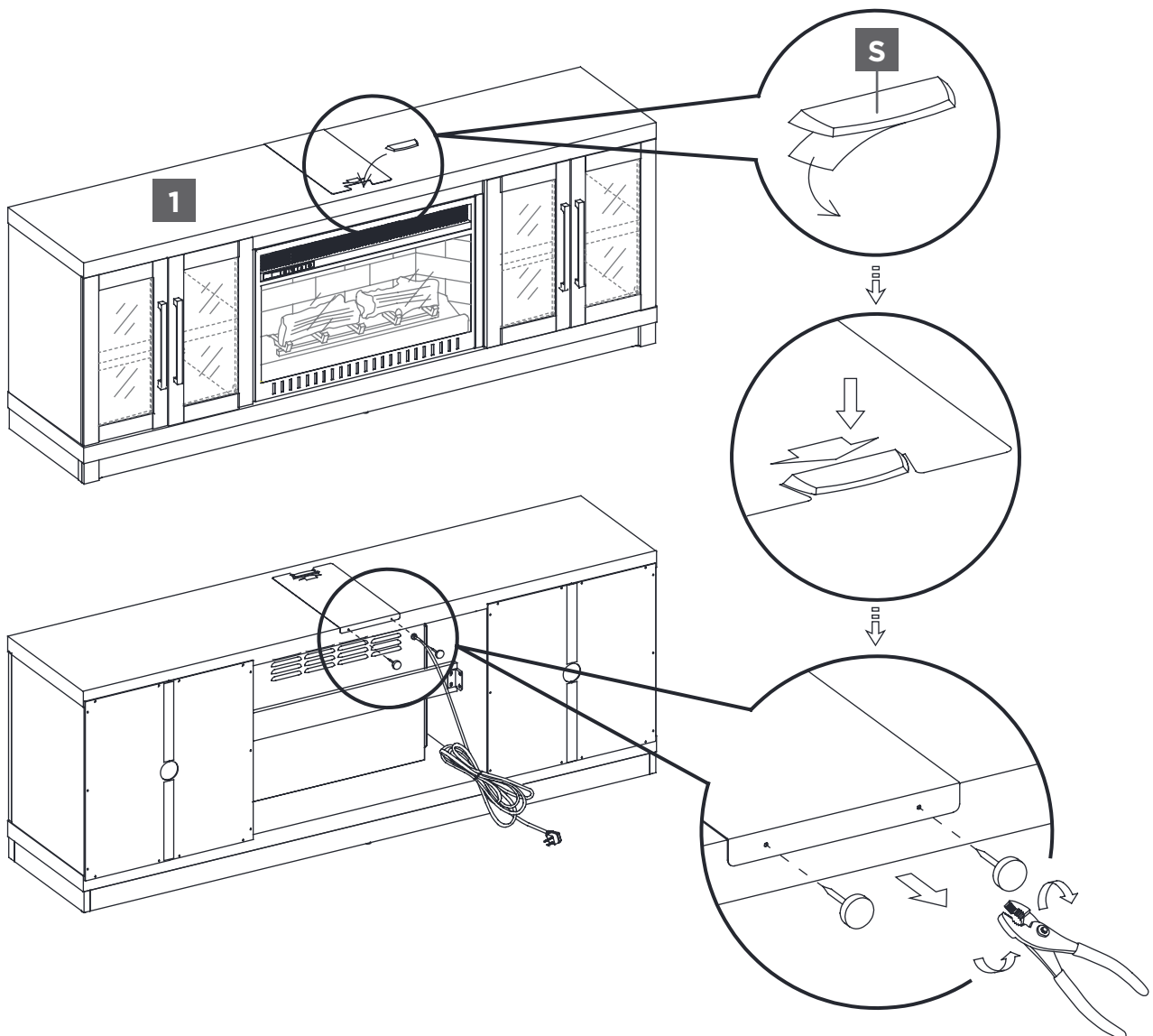
STEP-BY-STEP GUIDE

STEP 23



Remove the paper backing on the acrylic stopper **S**, then properly align the acrylic stopper into the cutout on the acrylic stopper template on the front of the top panel **1**. Press down on the acrylic stopper to help adhesion.

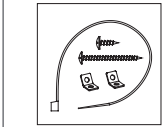
At the back of top panel **1**, grip the heads of plastic tacks with pliers, and with a twisting motion, pull tacks loose to remove the acrylic stopper template.



STEP-BY-STEP GUIDE

STEP 24

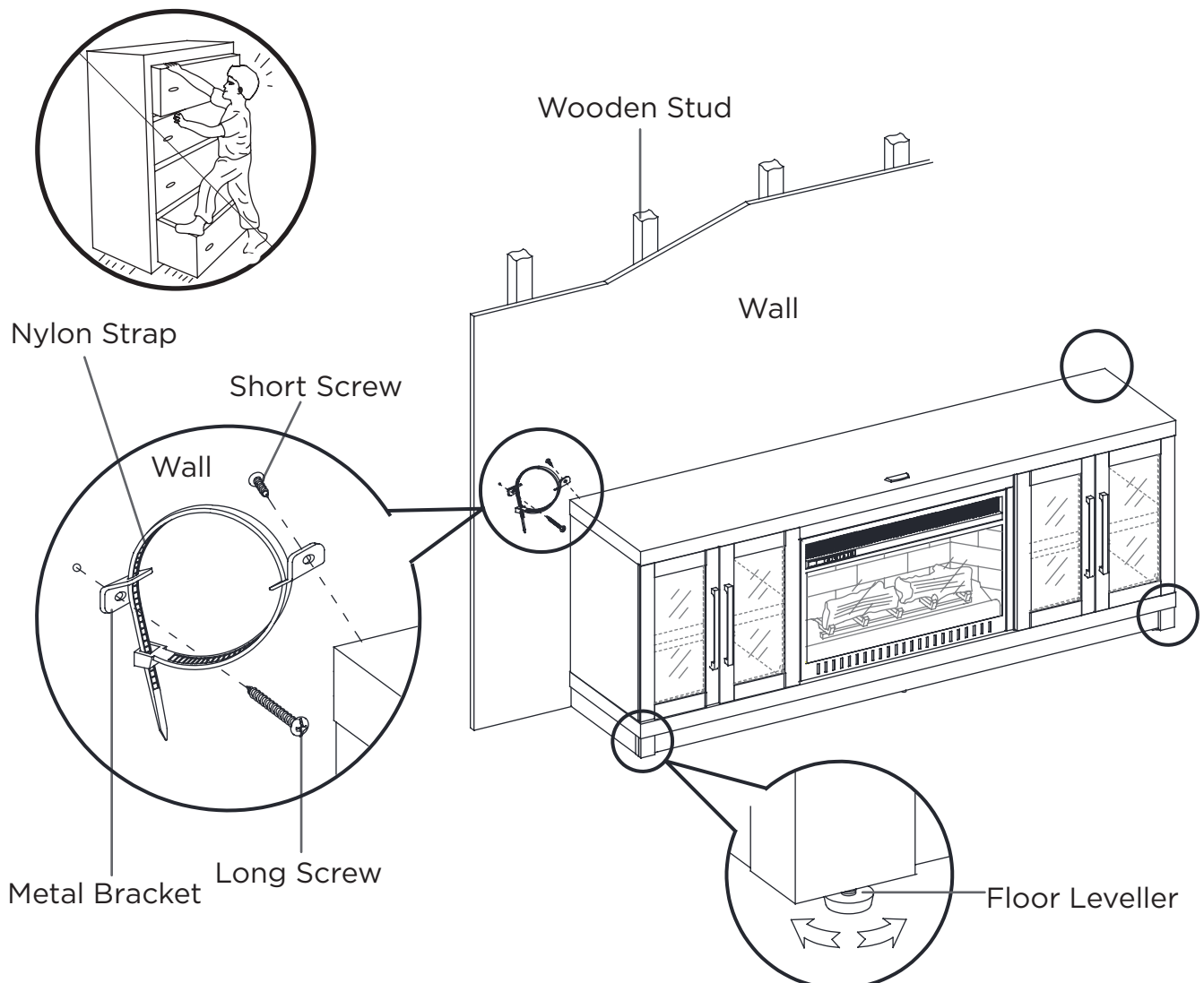
T x2



Position the assembled fireplace at the desired location against a wall. If necessary, adjust the installed floor levellers at the front of the unit by hand to level the doors and correct tilting.

Follow the instructions printed on the plastic bag containing the tipping restraint hardware to attach the tipping restraint hardware **T** to the unit and the wall.

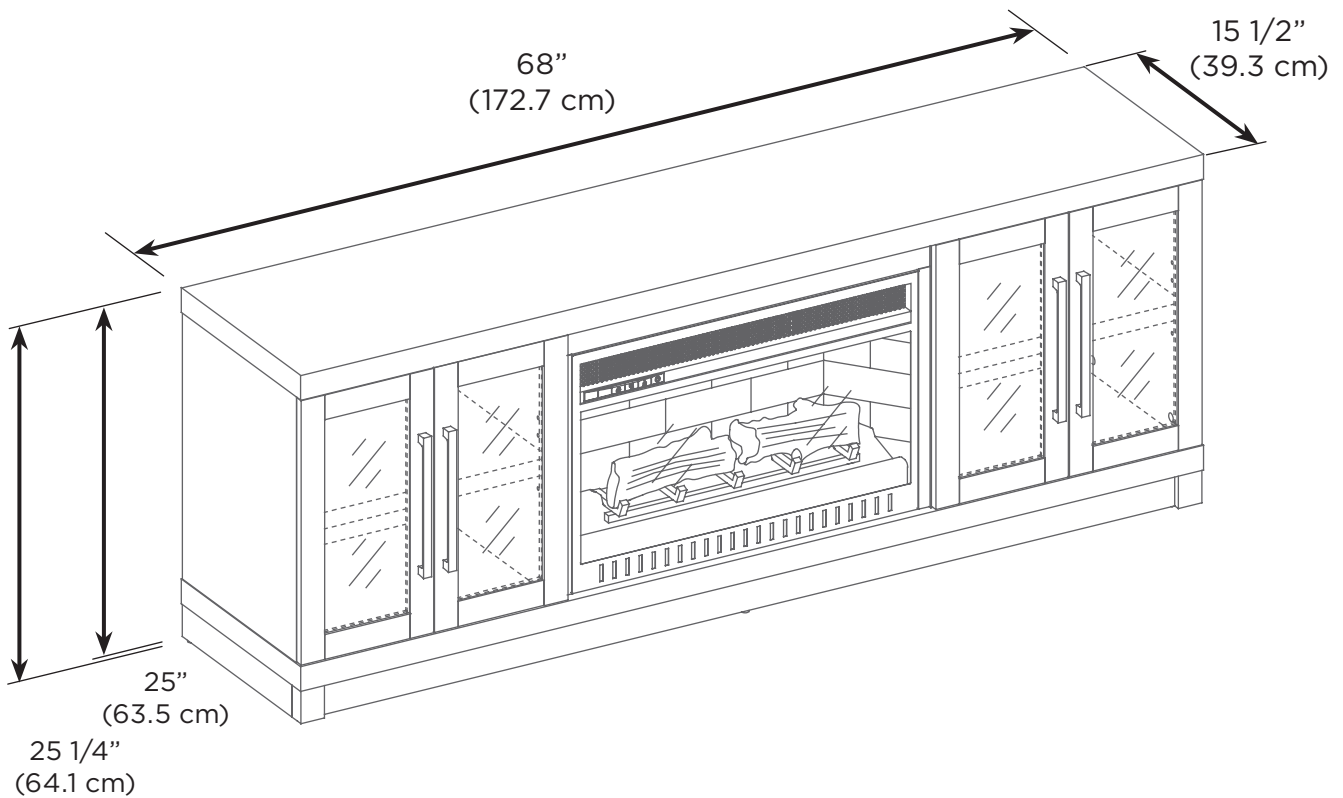
Plug the fireplace into a dedicated, properly-grounded outlet.



TECHNICAL DATA



WARNING! For use with televisions weighing 135 lb (61.2 kg) or less. Use with heavier televisions may cause instability and/or tip over which can be dangerous and cause serious injury.



SPECIFICATIONS

ASSEMBLED DIMENSIONS (W x D x H)

68 x 15 1/2 x 25"

172.7 x 39.3 x 63.5 cm

ASSEMBLED WEIGHT

132 lb 11 oz

60.2 kg

MAXIMUM WEIGHT CAPACITY FOR CONSOLE TOP

135 lb

61.2 kg

MAXIMUM WEIGHT CAPACITY FOR SHELVES

50 lb

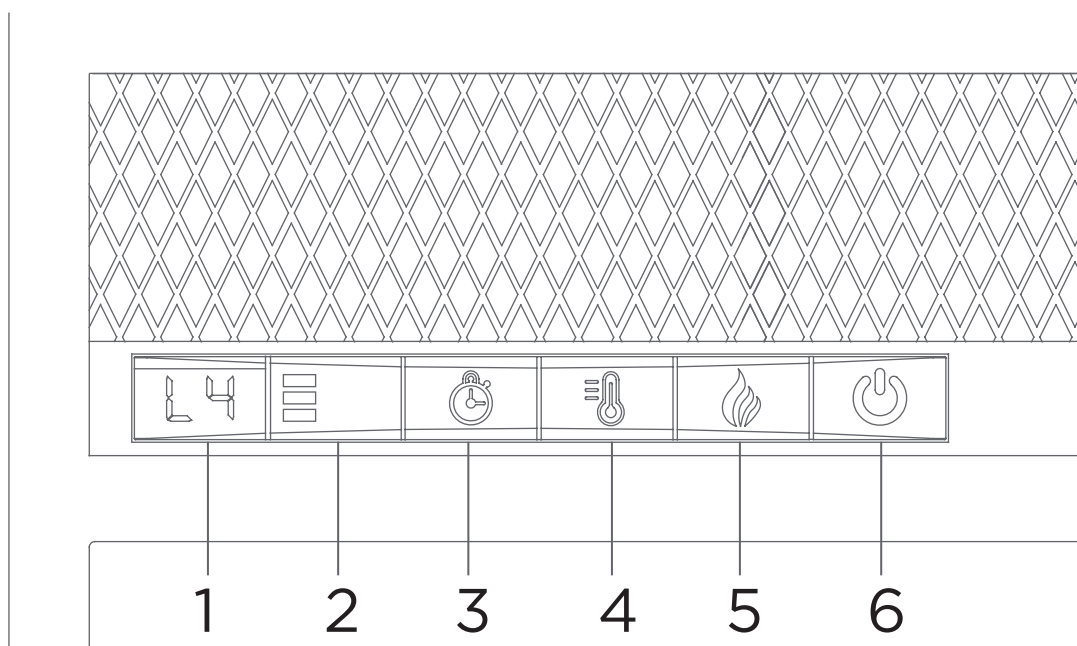
22.7 kg

Identifying the control panel

The control panel is located on the top left corner of the fireplace/heater unit.

The control panel contains the display unit (1), function indicator (2), timer function (3), heater control (4), flame control (5), and main power (6).

The display unit (1) displays information about the flame level, timer, and current temperature.

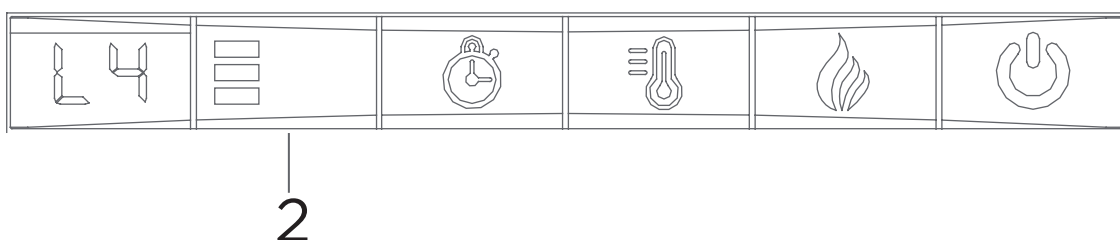


Understanding the function indicator

The function indicator (2) has three square LEDs: red, green and blue.

- The **RED LED** indicates that the Fahrenheit temperature heating function is running.
- The **GREEN LED** indicates that the Celsius temperature heating function is running.
- The **BLUE LED** indicates that the timer function is engaged.

To the right of the three LEDs is the infrared receiver module which communicates with the remote control to control the heater.



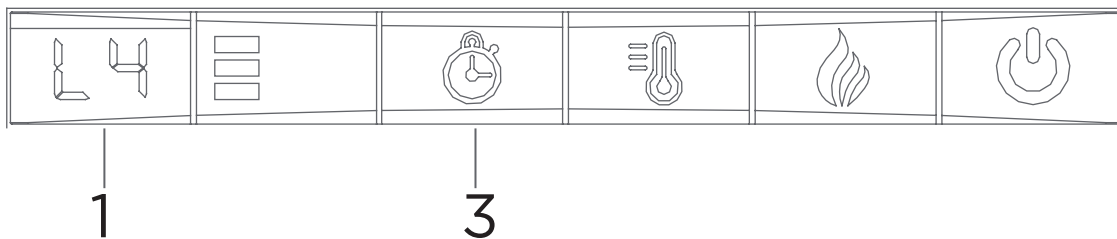
Using the timer function

The timer button (3) allows you to set the amount of time you want the fireplace/heater to run.

The timer button (3) operates both the flames and the heater function. If the heater is operating when the timer is set, then the heater is on the timer. If the flames are operating, then the timer will control the flames. If both the heater and flames are operating with the timer set, then the timer controls both the flames and the heater.

Pressing the button in sequence will set the timer for a set interval. This interval period is shown in the display (1), and the blue LED light turns on to show that the timer function is engaged. The set intervals are displayed in this table. The timer starts after you select your preferred interval and release the button; note that the display and blue light will turn off after a few seconds. There is no clock function for turning the heater or flames on or off at a specific time.

Button Press	Timer Interval	Display
1st press	30 minutes	30
2nd press	1 hour	1h
3rd press	2 hours	2h
4th press	3 hours	3h
5th press	4 hours	4h
6th press	5 hours	5h
7th press	6 hours	6h
8th press	OFF	None



Using the heater control

Pressing the heater button (4) will turn on or off the heat and set the temperature in the thermostat. If you turn off the heater using the main power button (6), the unit will hold your preferred temperature setting in the memory. When the power is turned back on, the heater will turn on at the same setting. There is no speed setting for the heater blower.

To convert from Fahrenheit to Celsius: With the heater on, press and release the heater button (4) so that the display (1) and LED function indicator (2) lights turn on (if they are not already on). Then gently press and hold the main power button (6) for five seconds to enter temperature converting mode. The LED indicator flashes five times in red colour then changes to green. Green indicates Celsius mode, and red indicates Fahrenheit mode. In this converting mode, the display (1) flashes. Repeat the same process to convert from Celsius temperature into Fahrenheit temperature.

INSTRUCTIONS FOR USE

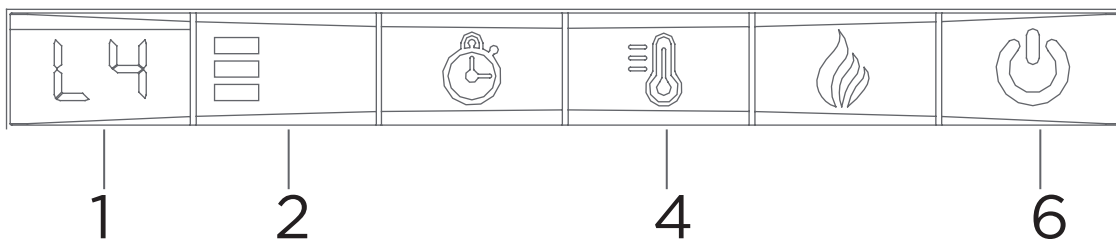
To set the thermostat temperature: Press the heater button multiple times to cycle through the temperature settings, starting at 82°F down to 62°F, then Always OFF or Always ON. (27°C to 17°C - OFF - ON). After you release the heater button, your preferred setting will be flashing. Once it stops flashing, and the display goes dark, then the thermostat will be set at your preference (and kept in memory). Note that the “ON” setting keeps the heater always on until the user powers off the unit or the safety sensor turns off the heater to prevent overheating.

To turn OFF the heater while keeping only the flames ON: Press the heater button until you see “OF” in the control panel display (1). This indicates the heater is OFF. Flame settings and other features continue to operate as normal.

Heater Lock (safety feature): To lock the heating function in the OFF position, with the main power button on, press and hold the heater button (4) for ten seconds. The log lights flash several times to indicate that the heater function is locked. In this mode, there is no heating function but only glowing logs and normal flame control operation.

To unlock the heating function, press and hold the heater button (4) for ten seconds. The log lights flash several times and then normal heating function mode is turned on.

NOTE: After the heater function or power is shut off, the blower will continue to run for several minutes to cool the internal components.



Using the flame control

Press the flame button (5) to set the flames for different levels of flame brightness. These flame levels are shown in the display (1). The flame settings are as follows:

Button Press	Flame Level	Display Value	Fireplace Appearance
1st press	High	L4	Flames Highest, Logs Glow Highest
2nd press	Medium	L3	Flames Medium, Logs Glow Medium
3rd press	Low	L2	Flames Low, Logs Glow Low
4th press	Flames Off	L1	Flames Off, Logs Glow Highest
5th press	All Off	None	Flames Off, Logs Off

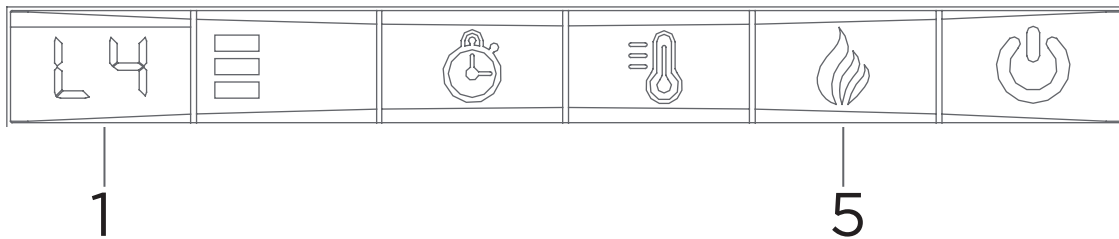
Regardless of the previous flame setting, when powered off by the main power button, the flames will come on in L4 mode (High) when you turn the heater on.

INSTRUCTIONS FOR USE

Log Glow Mode: To lock the flame function in the OFF position, with the flame in L4 mode, press and hold the flame button (5) for five seconds. The log lights flash several times to indicate that the flame function is locked. In this mode, there are no flames but only glowing logs. Pressing the flame button in sequence will set the logs for different levels of log brightness. The logs brightness levels are shown in the display (1). The logs settings are as follows:

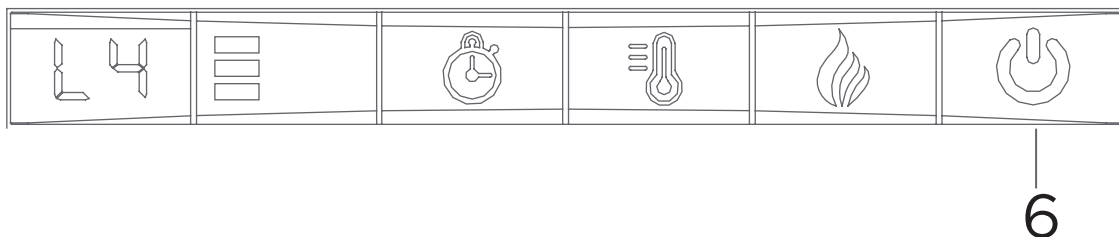
Button Press	Flame Level	Display Value	Fireplace Appearance
1st press	Flames Off	L4	Logs Glow Brightest
2nd press	Flames Off	L3	Logs Glow Medium
3rd press	Flames Off	L2	Logs Glow Low
4th press	Flames Off	L1	Logs Glow Brightest
5th press	All Off	None	Logs Off

To unlock the flame function, press and hold the flame button (5) for five seconds. The log lights flash several times and then both flame lights and log lights turn on.



Using the main power button

Press the power button (6) to turn the fireplace/heater unit on and off. Press the power button (6) once to turn the unit on. Press again to turn the unit off.

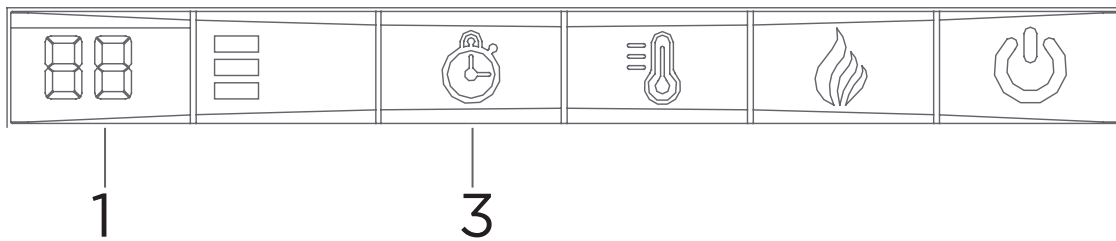


INSTRUCTIONS FOR USE

Using the Demo Mode

For use in retail store.

To turn Demo Mode on, press and hold the timer button (3) for 10 seconds until the display (1) shows "00". Demo Mode deactivates the heater and all front control panel buttons except the flame control button. To turn Demo Mode off, press and hold the timer button (3) for 10 seconds until the display (1) shows "L4". This fireplace is shipped with Demo Mode turned off for normal customer usage.



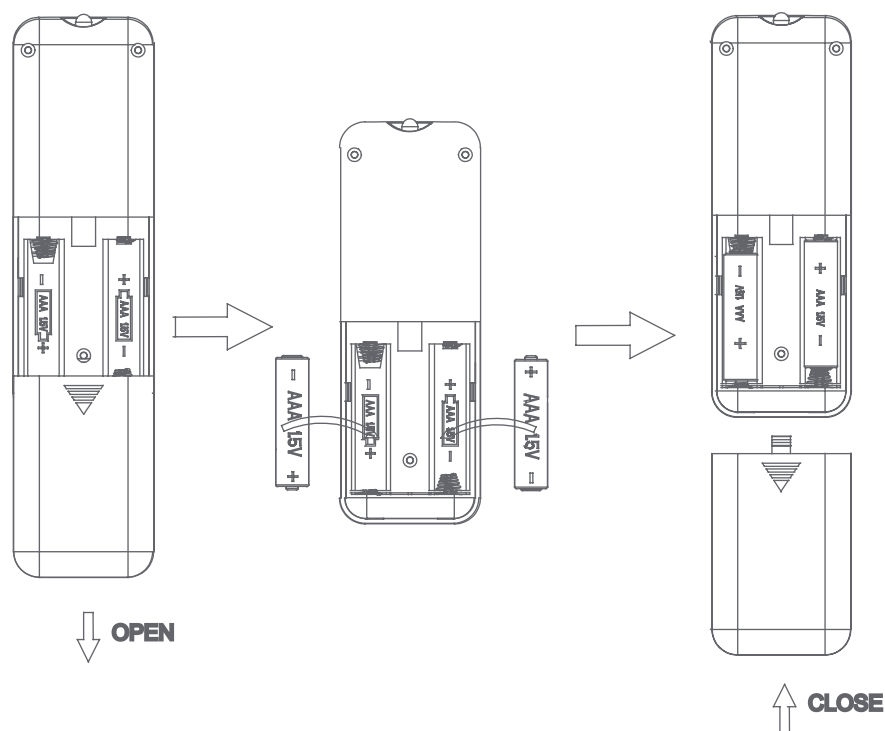
USING THE REMOTE CONTROL

Installing the batteries

When replacing batteries, use AAA batteries.

1. Press down and slide back cover off the battery compartment.
2. Insert two provided AAA batteries into the battery compartment making sure that the ends of the batteries with the negative (-) symbols are against the springs in the battery compartment.
3. Replace the battery compartment cover, making sure it snaps into position.
4. Turn the remote over and aim it towards the fireplace/heater unit.
5. Press the power button on the upper left, and see if the flames on the fireplace/heater turn on or off.
6. If nothing appears to happen, check to make sure the batteries are installed correctly, and try again.

INSTRUCTIONS FOR USE



Battery safety warnings

NOTE: Do not mix old and new batteries.
Do not mix alkaline, standard (carbon-zinc), or rechargeable (NiCad, NiMH, etc.) batteries.

WARNING: Do not ingest batteries.

- Non-rechargeable batteries are not to be recharged.
- Batteries are to be inserted with the correct polarity.
- Exhausted batteries are to be removed from the product.
- Always purchase the correct size and grade of battery most suitable for the intended use.
- Replace all batteries of a set at the same time.
- Clean the battery contacts and also those of the device prior to battery installation.
- Remove batteries from equipment when it is not to be used for an extended period of time.

Replacing the remote control batteries

When the remote control stops operating, or its range seems reduced, it is time to replace the batteries.

Note: The batteries should be removed if the product is to be left unused for a long time.

CAUTION: Non-rechargeable batteries must not be recharged. Exhausted batteries are to be removed from the product.

INSTRUCTIONS FOR USE

1. The battery compartment is located on the back of the remote control.
2. Press the small tab inward as you slide the battery door open and remove the exhausted batteries.
3. Insert two new AAA batteries (not included), ensuring the polarities of the batteries match the inside of the battery compartment.
4. Re-insert the battery door.

DISPOSAL OF USED BATTERIES

A battery may contain hazardous substances that could be dangerous to the environment and human health.

This symbol marked on the battery and/or packaging indicates that the used battery shall not be treated as municipal waste. Instead it should be left at an appropriate collection point for recycling.

By ensuring the used battery is disposed of correctly, you will help prevent potential negative consequences for the environment and human health. The recycling of materials will help to conserve natural resources.

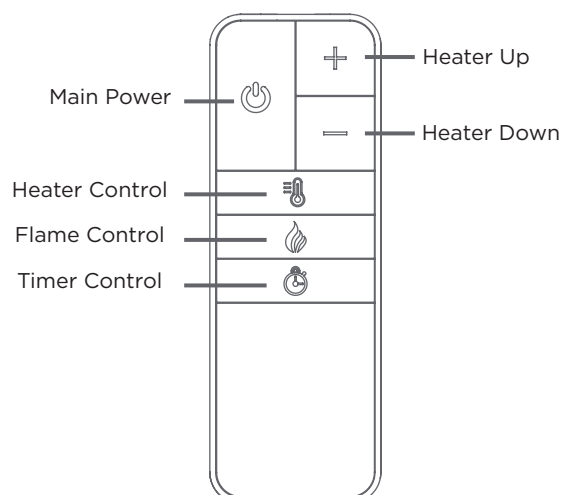
For more information about collection and recycling of used batteries, please contact your local municipality, your waste disposal service or the point of sale where you purchased this item.



Using the remote control

The buttons on the remote control work in the same way as the buttons on the front panel of the fireplace/heater. Review the Operating Instructions section for more information on the functionality of these buttons.

NOTE: The remote control cannot lock/unlock the flame and heating function, and it cannot switch between Fahrenheit and Celsius.



INSTRUCTIONS FOR USE

- Make sure the unit is turned OFF, unplugged and the heating elements are cool whenever you are cleaning the heater.
- Clean the metal trim using a water-dampened soft, clean cloth. DO NOT use brass polish or household cleaners as these products will damage the metal trim.
- The motors used on the fan and the flame generator assembly are pre-lubricated for extended bearing life and require no further lubrication. However, periodic cleaning/vacuuming of the fan/heater and air intake/output vents is recommended.
- Any other servicing should be performed by an authorized service representative.



WARNING:

Make sure the power is turned off before proceeding. Any electrical repairs or rewiring of this unit should be carried out by a licensed electrician in accordance with national and local codes.



WARNING:

If repairing or replacing any electrical component or wiring, the original wire routing, colour coding and securing locations must be followed.



WARNING:

Electrical outlet wiring must comply with local building codes and other applicable regulations to reduce the risk of fire, electric shock and injury to persons.



WARNING:

Do not use this fireplace if any part of it has been under water. Immediately call a qualified service technician to inspect the fireplace and replace any part of the electrical system.



WARNING:

Disconnect power before attempting any maintenance or cleaning to reduce the risk of fire, electric shock or personal injury.



WARNING:

During any service of this appliance, the power to the unit must be turned off. First turn the main power switch to the “OFF” position. Then remove the electrical plug from the wall outlet.

ASSEMBLY TROUBLESHOOTING



**BEFORE RETURNING
YOUR PRODUCT**

**HAVING TROUBLE?
LET US HELP YOU!**

**TOLL-FREE:
1-888-670-6684**

If you have questions regarding your product or require warranty assistance, please call our customer service helpline.



**CALL US;
WE CAN HELP**

PRODUCT TROUBLESHOOTING

PROBLEM

POSSIBLE CAUSES

SOLUTION

Cannot adjust the temperature.

No heat, and no way to power off the unit. Only the flame button works properly.

Fireplace is in Demo Mode.

To deactivate Demo Mode, press and hold the timer button for at least 10 seconds until the display shows “L4”.

Cannot turn off the heater using the heater button.

Operator did not follow the operation steps.

Press the heater button repeatedly until “OF” is shown in the control panel display. This indicates the heater is OFF. In this mode, the flames remain on but the heater is not engaged. (See “Using the heater control” in the OPERATION section of this guide for more details.)

Fireplace stopped heating. There are flames, but the heater automatically keeps shutting itself off after a few minutes.

Setting temperature is under the room temperature.

Set fireplace to a higher temperature or “always on”.
Turn on the heater, then press the heater button to enter temperature adjustment mode. The LED display will start to flash. Press the heater button repeatedly until you reach your desired temperature setting. (See “Using the heater control” in the OPERATION section of this guide for more details.)

NOTE: your heater thermostat default temperature setting is 82°F (27.8°C). If your room temperature is above 82°F (27.8°C), your heater will shut itself off, unless you adjust your heater thermostat to a higher temperature setting.

Note that temperature around fireplace may be a few degrees higher than other areas in the room.

PRODUCT TROUBLESHOOTING

PROBLEM	POSSIBLE CAUSES	SOLUTION
Remote control is not working.	<p>Batteries are exhausted. Remote control operated improperly.</p> <p>Buttons are pressed improperly.</p> <p>Remote control is too far away or something is between the remote and the sensor.</p>	<p>Change the remote batteries.</p> <p>Operate remote transmitter at a slow, measured pace. Press the remote control buttons with an even motion and gentle pressure.</p> <p>Repeatedly pressing buttons in rapid succession may cause the transmitter to malfunction.</p> <p>Stand closer to your fireplace.</p> <p>Remove objects that may block your remote control's ability to communicate with your fireplace.</p>
No heat, and pressing the heater button causes the logs to flash several times.	Your heater has been locked (disabled for child safety mode).	To unlock, turn on the main power, then press and hold the heater button for at least 10 seconds, until you see the logs starting to flash several times. The heater will now be unlocked and can be turned ON using normal operation of the heater button.
The unit does not turn on.	Circuit is under fault.	Check that the unit is fully plugged into a standard 120V outlet.
Using the fireplace with the heater ON causes a trip in my power circuit.	Circuit is overloaded.	<p>Unplug other appliances from the same circuit and same outlet as the fireplace.</p> <p>Do not overload the circuit.</p> <p>Connect the fireplace to a properly grounded outlets with thicker cord.</p> <p>Replace with a qualified fuse-box with a heavy load.</p>
The display unit on the control panel shows error code "EE".	Your thermistor sensor is loose or cut off.	<p>Do not return to store.</p> <p>Please email us or call our toll-free number 1-888-670-6684 for a replacement insert.</p>
The heater automatically shut off, and pressing the heater button causes no actions. Other control buttons are working, but the control panel displays "88" and the function indicator is flashing quickly.	The fireplace shut itself off as a safety protocol to prevent overheating (it is in alarm mode).	Unplug immediately. Make sure that no objects are blocking the air vents on the front, top, or back of your fireplace. To reset the fireplace, unplug the unit from the wall outlet for 5 minutes, and let it cool down. After 5 minutes, plug the unit back into the wall outlet, and operate as normal.

CARING FOR YOUR ITEM

- 1 Use a soft, clean cloth that will not scratch the surface when dusting.
- 2 Use a clean, soft cloth dampened with warm water to clean the fireplace surface. DO NOT use household or abrasive cleaners, as these products may damage the surface.
- 3 When cleaning the glass viewing screen, use a non-abrasive damp cloth with liquid cleaner or soft soap if necessary; DO NOT use cleaning powders or any other substance with abrasives since these substances will scratch glass.
- 4 Under no circumstances should this product be operated with a broken or chipped glass panel.
- 5 Do not strike or slam the glass.
- 6 In the event that your appliance is stained or otherwise damaged during use, we recommend that you call a professional to repair it.
- 7 When not in use, please unplug the cord from the outlet to prevent any damage or accidents.

WARRANTY INFORMATION



1-YEAR LIMITED WARRANTY*

This **CANVAS**® product carries a one (1) year warranty against defects in workmanship and materials. Trileaf Distribution agrees to replace the defective product free of charge within the stated warranty period, when returned by the original purchaser with proof of purchase. This product is not guaranteed against wear or breakage due to misuse and/or abuse.

PRODUCT NO. 064-4022-2

Made in Vietnam

Imported by Trileaf Distribution Trifeuil Toronto, Canada M4S 2B8

CANVAS™

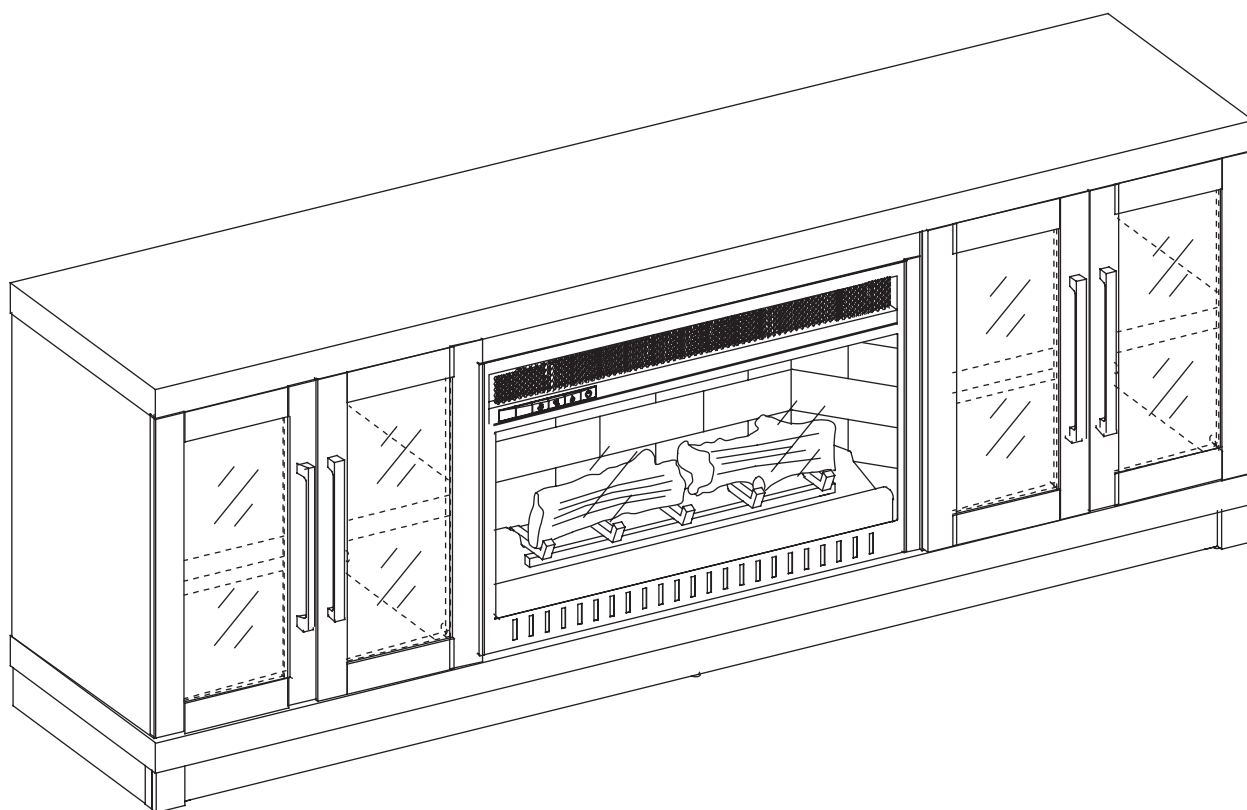
INSPIRED BY CANADA



CANVAS^{TM/MC}

FOYER MULTIMÉDIA À INFRAROUGE DE 68 PO OAKRIDGE

ARTICLE N° 064-4022-2



INSTRUCTIONS D'ASSEMBLAGE



VOUS RENCONTREZ DES PROBLÈMES?

NUMÉRO SANS FRAIS:

1 888 670-6684

IMPORTANT : Veuillez lire attentivement ce guide avant de procéder à l'assemblage de ce produit. Conservez ce guide aux fins de consultation ultérieure.

CANVAS^{MC}

D'INSPIRATION CANADIENNE



Nous croyons au pouvoir de la décoration pour donner son âme à votre maison.

C'est pour cela que les collections **CANVAS^{MD}** inspirent des Canadiens et de leur style de vie.

Qu'il s'agisse de meubles tendance, de décorations pour les fêtes ou pour le plein air, **CANVAS^{MD}** vous permet de rafraîchir facilement votre espace pour qu'il reflète **votre style unique et votre mode de vie.**

Nous serions ravis de connaître votre opinion et nous vous invitons à nous faire part de vos commentaires. Visitez notre site Web à l'adresse **canadiantire.ca** pour nous faire part de votre expérience et partagez vos photos en utilisant le mot-clic **#MonStyleCANVAS.**

Montrez-nous comment vous donnez vie aux produits **CANVAS^{MD}**. Nous avons hâte de les voir!

TABLE DES MATIÈRES

Consignes de sécurité	3
Liste des pièces	7
Avant de commencer l'assemblage	12
Guide étape par étape	13
Données techniques	37
Instructions d'utilisation	38
Dépannage	46
Entretien de votre article	48
Garantie	48



AVERTISSEMENT! VEUILLEZ LIRE LES CONSIGNES DE SÉCURITÉ SUIVANTES AVANT D'ASSEMBLER ET D'UTILISER L'ARTICLE AFIN DE RÉDUIRE LE RISQUE DE BLESSURES GRAVES.

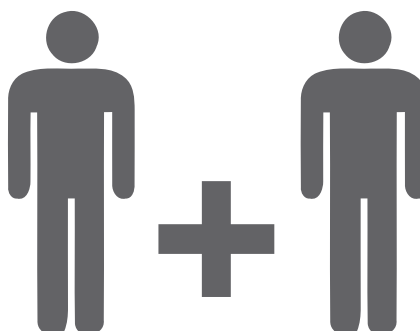
Lors de l'utilisation d'appareils électriques, des précautions de base doivent être respectées afin de réduire le risque d'incendie, de choc électrique et de blessures, y compris ce qui suit :

- Si vous n'observez pas à la lettre les instructions contenues dans le présent document, une décharge électrique ou un incendie pourrait survenir et entraîner des dommages matériels, des blessures corporelles ou la mort.
- Cet appareil est chaud lorsqu'il fonctionne. Pour ne pas vous brûler, évitez tout contact de la peau avec les surfaces chaudes. Éloignez les matériaux combustibles tels que les meubles, les oreillers, la literie, les vêtements et les rideaux à au moins 3 pi (0,9 m) de l'avant de l'appareil de chauffage et éloignez-les des côtés et de l'arrière.
- Faites extrêmement attention lorsque l'appareil de chauffage est utilisé en présence d'enfants ou de personnes handicapées ou lorsqu'il est utilisé sans supervision.
- Ne placez pas le cordon d'alimentation sous un tapis. Ne couvrez pas le cordon d'alimentation avec un tapis ou tout article similaire. Installez le cordon d'alimentation de telle sorte qu'il n'entrave pas la circulation et que personne ne risque de trébucher ou de marcher dessus.
- N'insérez pas et ne laissez pas d'objets étrangers pénétrer dans les ouvertures de ventilation ou d'échappement car cela pourrait provoquer une décharge électrique ou un incendie, ou endommager l'appareil.
- Cet appareil contient des pièces chaudes ou des pièces qui produisent des arcs ou des étincelles à l'intérieur. N'utilisez pas cet appareil dans des endroits où de l'essence, de la peinture ou des matériaux ou liquides inflammables sont utilisés ou rangés.
- Ce foyer ne doit pas être utilisé comme séchoir à vêtements. Aucun bas de Noël ni décoration ne doivent être accrochés sur ou à proximité de l'appareil.

OUTILS REQUIS



Tournevis à tête cruciforme



2 personnes

CONSIGNES DE SÉCURITÉ

CONSIGNES DE SÉCURITÉ IMPORTANTES

Utilisez cet appareil uniquement comme indiqué dans ce guide. Toute autre utilisation non recommandée par le fabricant peut provoquer un incendie, une décharge électrique ou des blessures corporelles. Lisez toutes les consignes avant d'installer ou d'utiliser le foyer.

1. Lisez attentivement toutes les instructions avant d'utiliser ce radiateur.
2. N'utilisez pas le radiateur à l'extérieur.
3. Cet appareil de radiateur n'est pas conçu pour être utilisé dans la salle de bains, la buanderie, ni tout autre endroit intérieur similaire. Ne le placez jamais à un endroit où il risque de tomber dans une baignoire ou un bassin d'eau.
4. Ne placez pas le cordon d'alimentation sous un tapis. Ne couvrez pas le cordon d'alimentation avec un tapis ou un article similaire. Disposez le cordon d'alimentation de manière à éliminer le risque de trébuchement.
5. Pour débrancher le radiateur, tournez les boutons de commande vers la position d'arrêt, puis retirez la fiche de la prise d'alimentation.
6. Ne branchez l'appareil qu'à une prise correctement mise à la terre. Branchez toujours l'article directement dans une prise murale. N'utilisez jamais de rallonge ni de barre d'alimentation.
7. Pour prévenir tout incendie, n'obstruez pas les entrées et les sorties d'air du foyer. Ne faites pas fonctionner le foyer sur des surfaces molles telles qu'un lit où les ouvertures de l'appareil pourraient être bouchées.
8. Un limiteur de température se trouve à l'intérieur du foyer. Lorsque la température intérieure est trop élevée ou qu'un chauffage anormal se produit, le dispositif de protection du thermostat coupe l'alimentation électrique pour éviter les dommages au foyer ou le risque d'incendie.

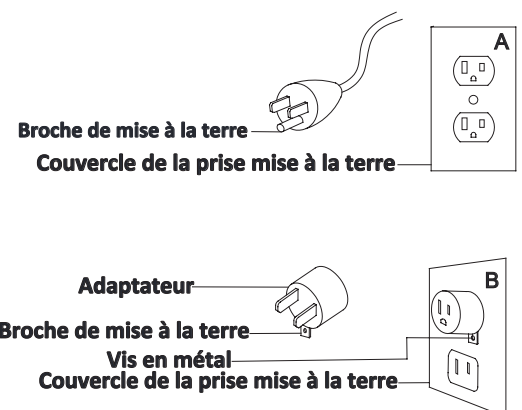
9. Utilisez cet appareil de chauffage conformément au présent guide. Toute autre utilisation non recommandée par le fabricant peut causer un incendie, un choc électrique ou des blessures.
10. Si possible, débranchez toujours l'appareil lorsqu'il n'est pas utilisé.
11. N'utilisez pas l'appareil si le cordon d'alimentation ou la fiche sont endommagés ou si l'appareil de chauffage ne fonctionne pas bien.
12. N'utilisez pas l'appareil de chauffage s'il est tombé ou a été endommagé de quelque manière que ce soit. Coupez l'alimentation au niveau du tableau de distribution et faites vérifier le foyer par un électricien avant de le réutiliser.
13. Les réparations sur ce foyer doivent être effectuées par un professionnel.
14. Ce foyer ne doit être modifié en aucun cas. Les pièces retirées pour l'entretien doivent être replacées avant de pouvoir utiliser le foyer à nouveau.
15. Une fois installé, l'appareil doit être mis à la terre selon les codes locaux, conformément au Code canadien de l'électricité CSA C22.2 ou au National Electrical Code ANSI/NFPA n° 70.
16. Ne placez pas ce foyer directement sous une prise de courant.
17. Ne placez pas le foyer encastrable sur du bois pour éviter de rayer le bois.
18. Ne placez aucun objet sur le foyer encastrable et les systèmes de ventilation afin de prévenir toute surchauffe et tout risque d'incendie.

Cet appareil doit être mis à la terre. En cas de défaillance ou panne, la mise à la terre fournit un chemin de moindre résistance au courant électrique et réduit le risque de choc électrique. Cet article est équipé d'un cordon doté d'un conducteur de mise à la terre de l'équipement et d'une fiche de mise à la terre. La fiche doit être branchée sur une prise appropriée qui est correctement installée et mise à la terre conformément à tous les codes et ordonnances locaux.

Cet appareil de chauffage est destiné à être utilisé sur les circuits de 120 V et dispose d'une fiche mise à la terre. Un adaptateur est disponible auprès de votre magasin d'électronique local ou de votre fournisseur en ligne pour connecter des fiches de type mise à la terre à trois broches à des prises à deux fentes. La broche de mise à la terre verte de l'adaptateur doit être connectée à une mise à la terre permanente telle qu'une boîte de sortie correctement mise à la terre. La fiche ne doit pas être utilisée si vous disposez d'une prise tripolaire mise à la terre.

REMARQUE : L'utilisation d'adaptateurs mis à la terre est interdite dans certaines juridictions au Canada en raison de préoccupations en matière de sécurité.

L'utilisation d'adaptateurs mis à la terre sur des prises à deux fentes n'est pas sécuritaire. Confiez l'installation d'une prise appropriée par un électricien certifié. Renseignez-vous sur les lois locales pour vous assurer de la conformité avec les exigences légales.



DÉCLARATION FCC / IC

Cet équipement a été testé et déclaré conforme aux restrictions prévues dans le cadre de la classe B des appareils numériques, définies par la partie 15 du règlement de la FCC. Ces restrictions visent à garantir une protection suffisante contre les interférences nuisibles dans une installation à domicile. Cet appareil utilise et émet de l'énergie de fréquence radio, et s'il n'est pas installé et employé conformément aux consignes, il peut provoquer des interférences nuisibles aux communications radio. Il n'existe toutefois aucune garantie que de telles interférences ne se produiront pas dans une installation particulière. Si cet appareil occasionne des interférences nuisibles aux réceptions radio ou télévisuels, ce qui peut être déterminé en mettant l'appareil en arrêt et en marche, l'utilisateur peut corriger cette interférence de l'une des façons suivantes :

- Réorientez ou déplacez l'antenne de réception.
- Augmentez la distance entre l'appareil et le récepteur.
- Branchez l'appareil sur un circuit électrique différent de celui où le récepteur est branché.
- Consultez le fournisseur ou un technicien rde radio/téléviseur expérimenté pour obtenir de l'aide.

Ce dispositif est conforme à l'article 15 des règlements de la FCC. L'utilisation de ce dispositif est autorisée seulement aux conditions suivantes :

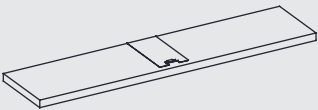
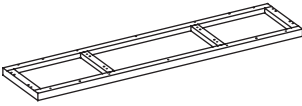
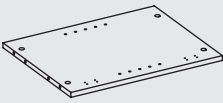
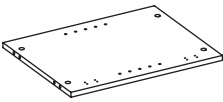
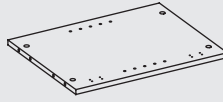
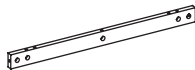

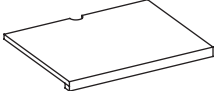


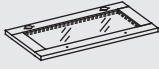
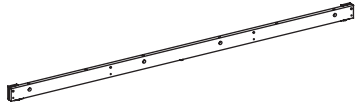
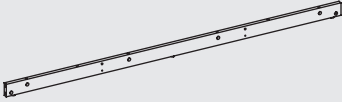
- 1) Cet appareil ne doit pas causer d'interférences nuisibles.
- 2) Cet appareil doit accepter toute interférence reçue, y compris des interférences qui peuvent provoquer un fonctionnement non désiré.

Toute modification non approuvée par la partie responsable de la conformité peut annuler l'autorisation de l'utilisateur à utiliser cet appareil.


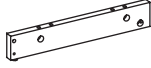

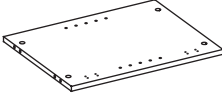
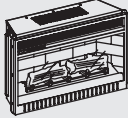

CAN ICES-3 (B)/NMB-3(B).

Cet appareil numérique de classe B est conforme à la norme canadienne NMB-003.

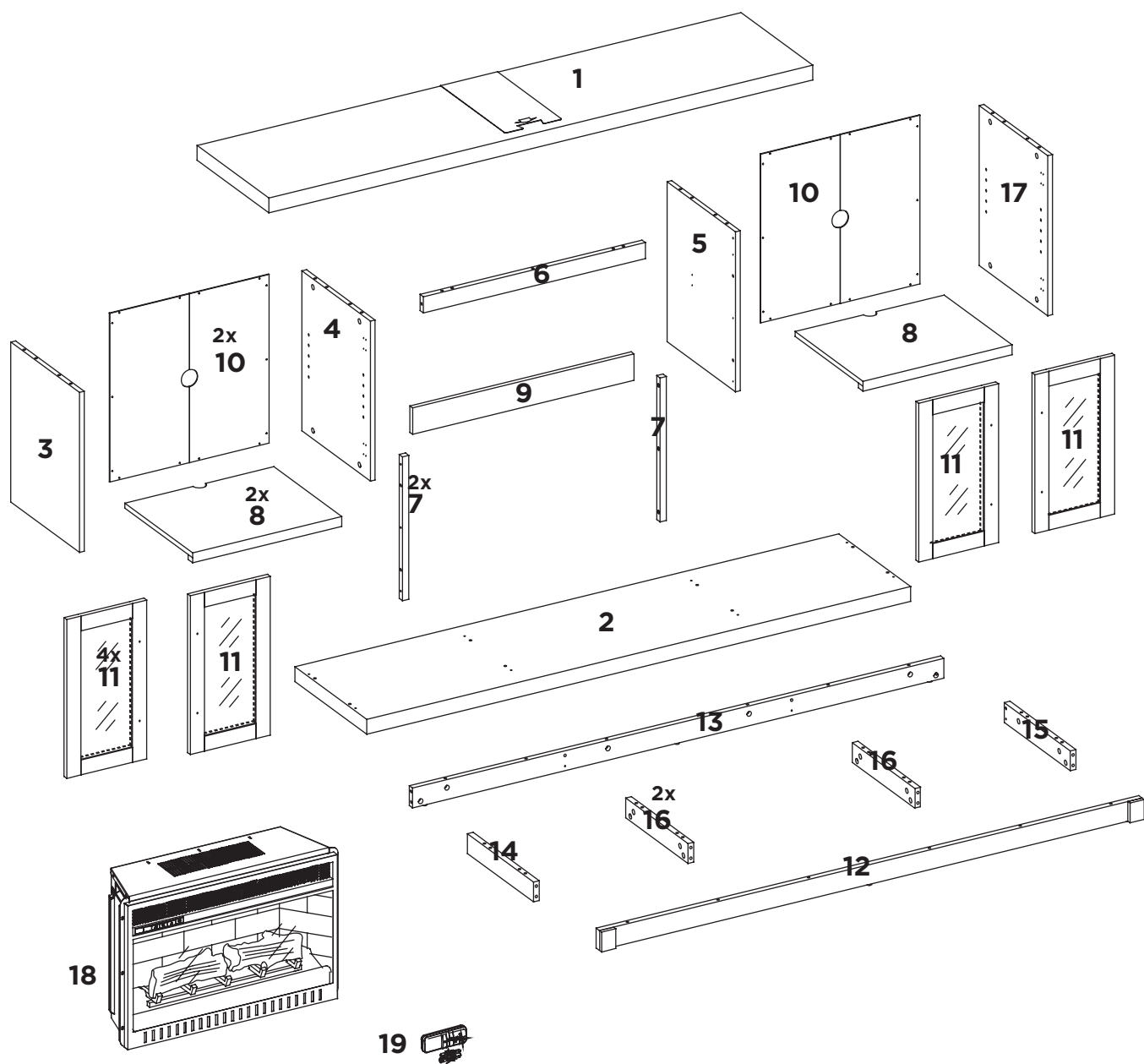
LISTE DES PIÈCES

RÉFÉRENCE	DESCRIPTION	ILLUSTRATION	QUANTITÉ
1	Panneau supérieur		1
2	Panneau inférieur		1
3	Panneau latéral de gauche		1
4	Panneau de partition de gauche		1
5	Panneau de partition de droite		1
6	Barre transversale moyenne		1
7	Montant intermédiaire		2
8	Tablette réglable		2
9	Support du foyer		1
10	Panneau arrière		2
11	Porte		4
12	Plinthe avant		1
13	Plinthe arrière		1

LISTE DES PIÈCES

RÉFÉRENCE	DESCRIPTION	ILLUSTRATION	QUANTITÉ
14	Plinthe de gauche		1
15	Plinthe de droite		1
16	Support de base		2
17	Panneau latéral de droite		1
18	Foyer encastrable		1
19	Télécommande avec piles		1

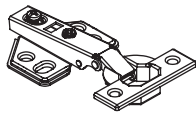

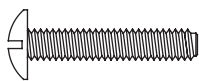

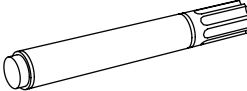
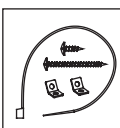
VUE ÉCLATÉE



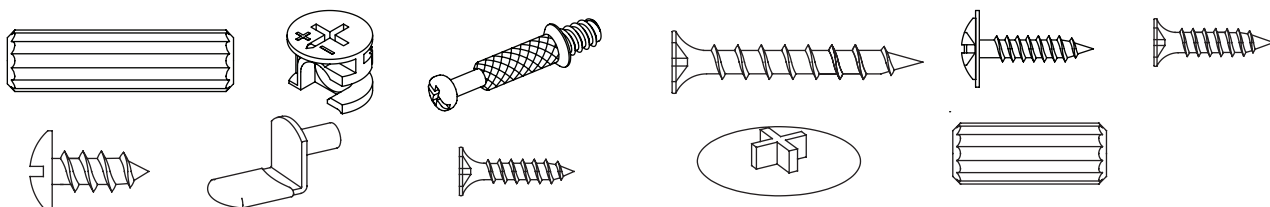
LISTE DE LA QUINCAILLERIE

RÉFÉRENCE	DESCRIPTION	ILLUSTRATION	QUANTITÉ
A	Goujon de bois M8x30mm		38
B	Came de verrouillage		45
C	Boulon à came		45
D	Vis M4x32mm		6
E	Vis à tête rondelle M3,5x15mm		28
F	Vis M3x15mm		4
G	Butée de porte		2
H	Vis à tête cylindrique M5x12mm		8
I	Support métallique en L		2
J	Taquet		8
K	Vis en zinc M4x14mm		48

LISTE DE LA QUINCAILLERIE

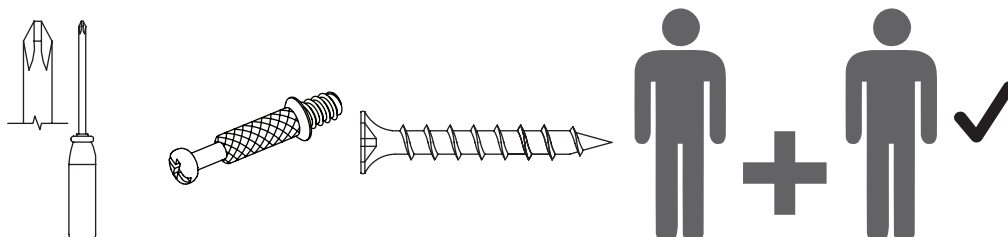
RÉFÉRENCE	DESCRIPTION	ILLUSTRATION	QUANTITÉ
L	Charnière de porte		8
M	Poignée de porte		4
N	Boulon 5/32 po x22mm		8
O	Cache de came		16
P	Goujon de bois M8x20mm		4
Q	Colle		2
R	Stylo de retouche		1
S	Butée en acrylique		1
T	Matériel de retenue antibasculement		2

SAC DE MATÉRIEL SUPPLÉMENTAIRE



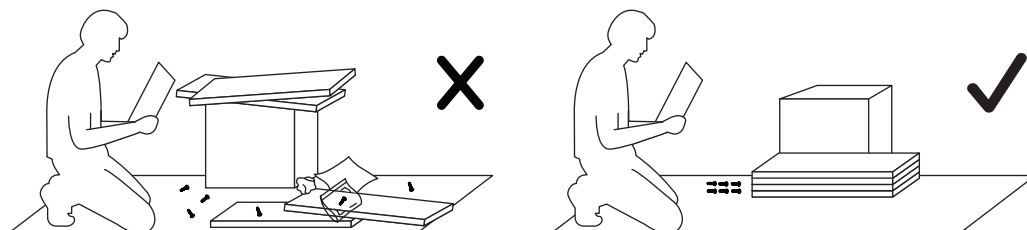
S'ASSURER QUE TOUTES LES PIÈCES SONT COMPRISSES

Comparez toutes les pièces aux listes de pièces et de quincaillerie et assurez-vous que vous disposez de tous les outils nécessaires pour l'assemblage.



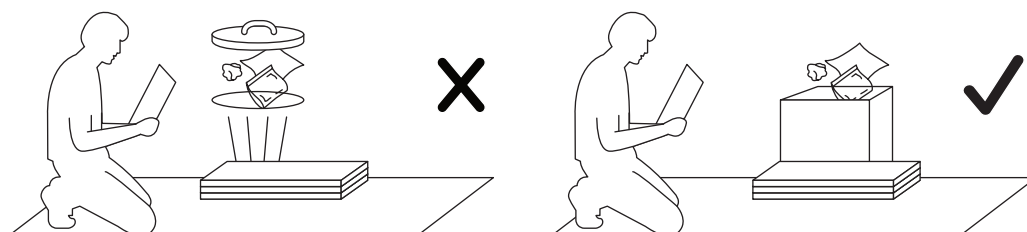
ASSEMBLER DANS UNE ZONE DÉGAGÉE

Placez toutes les pièces de la boîte sur le sol devant vous sur une surface propre, sèche et plane afin de protéger l'article pendant son assemblage.



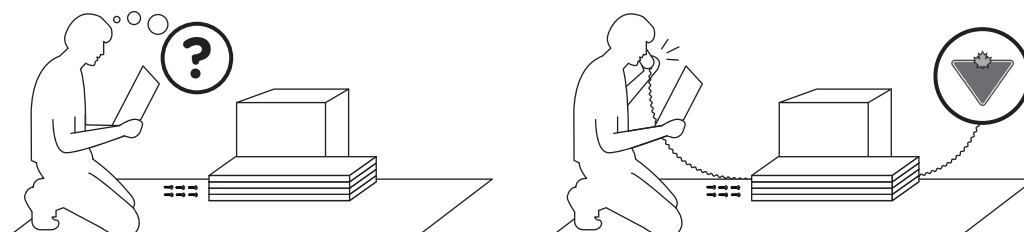
RETIRER LES MATÉRIEAUX D'EMBALLAGE

Remettez les matériaux d'emballage dans la boîte. Ne les jetez pas avant d'avoir terminé l'assemblage.

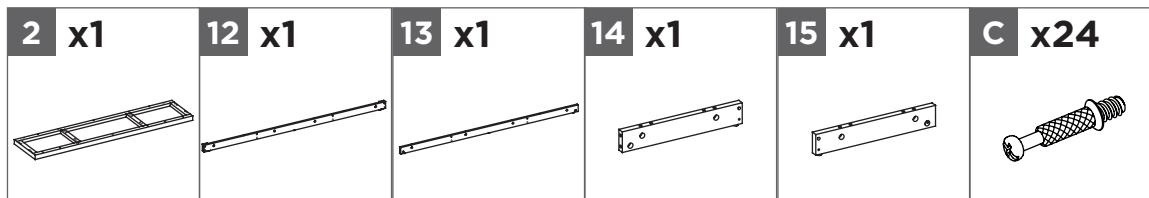


LIRE ATTENTIVEMENT CHAQUE ÉTAPE

Assurez-vous de bien comprendre chaque étape. Si vous avez des questions, contactez le service à la clientèle CANVAS^{MD} au 1 888 670-6684 (sans frais).



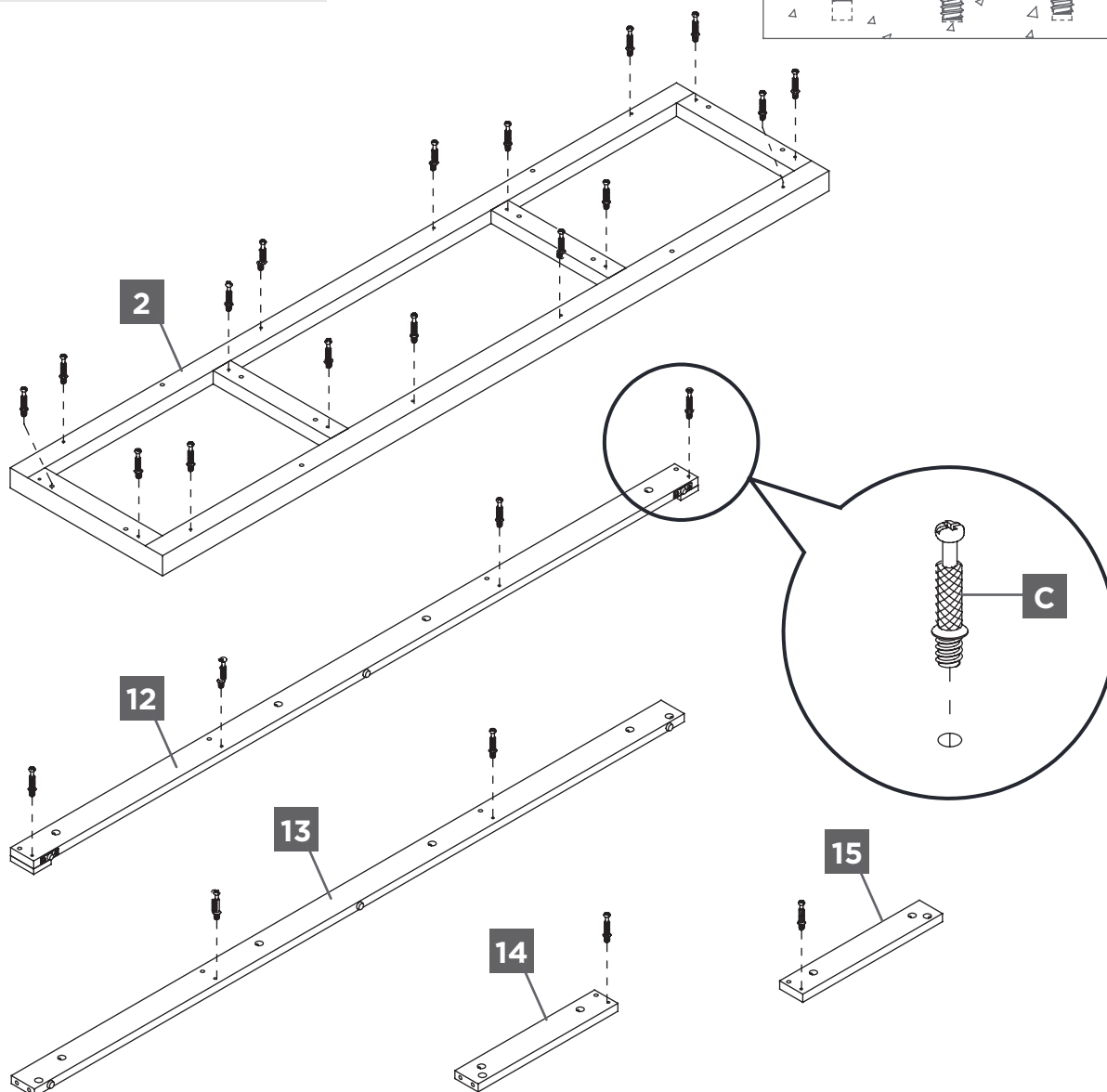
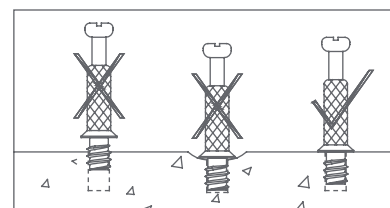
ÉTAPE 1



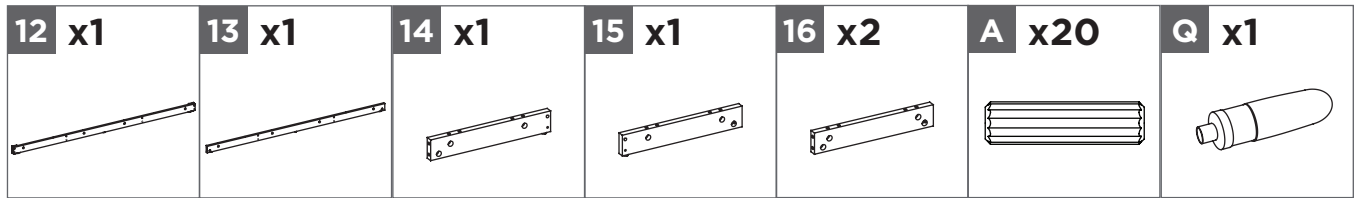
Vissez solidement les boulons à came **C** dans les petits trous désignés sur le panneau inférieur **2**, les plinthes (**12**, **13**, **14** et **15**) à l'aide d'un tournevis à tête cruciforme.

REMARQUE :

Assurez-vous que les boulons à came sont affleurants et droits.

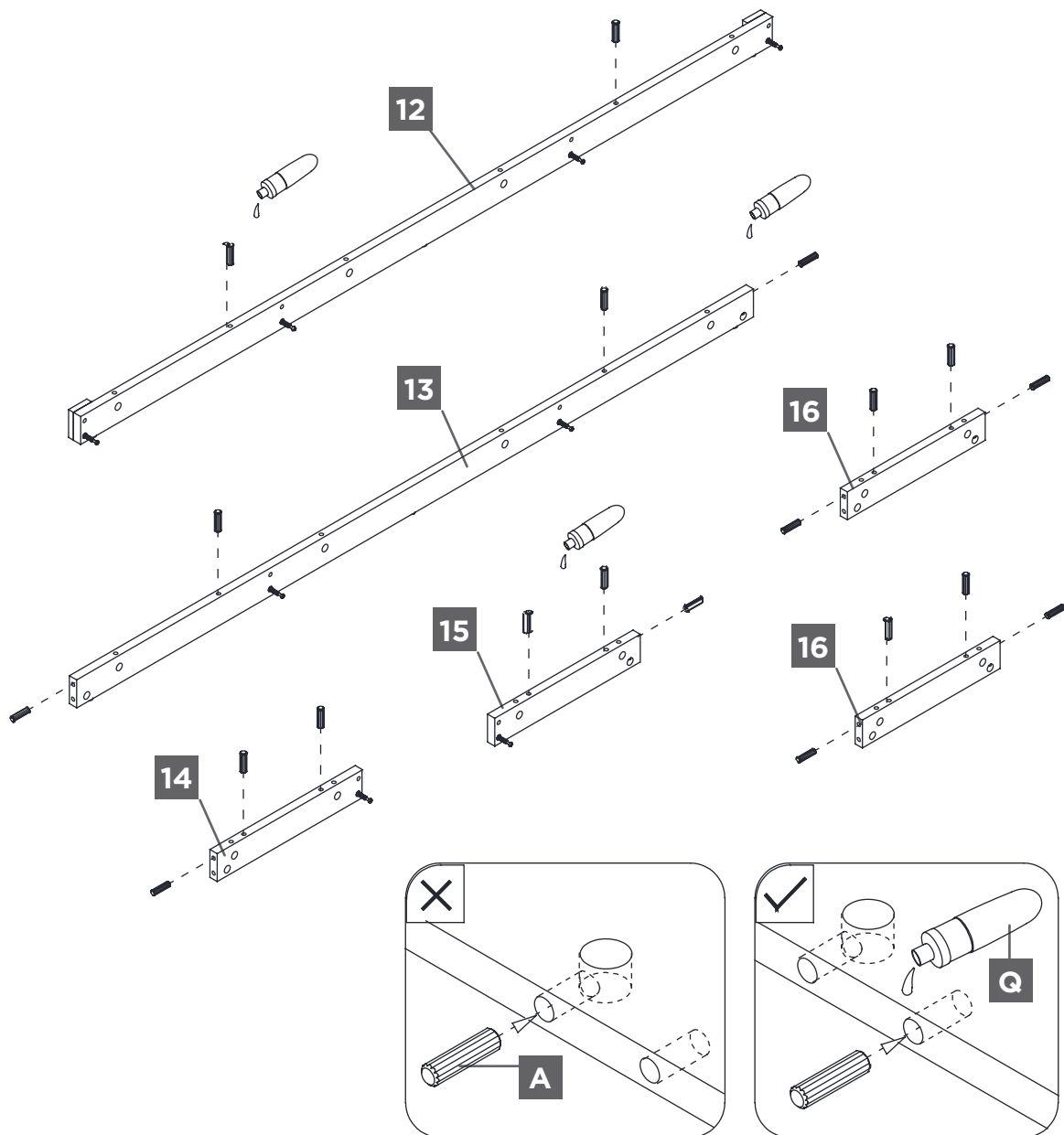


ÉTAPE 2

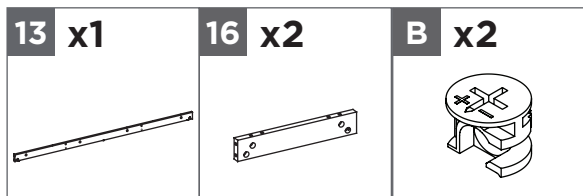


Collez les goujons de bois **A** dans les trous intérieurs sur les plinthes (**12**, **13**, **14** et **15**) et les supports de base **16**.

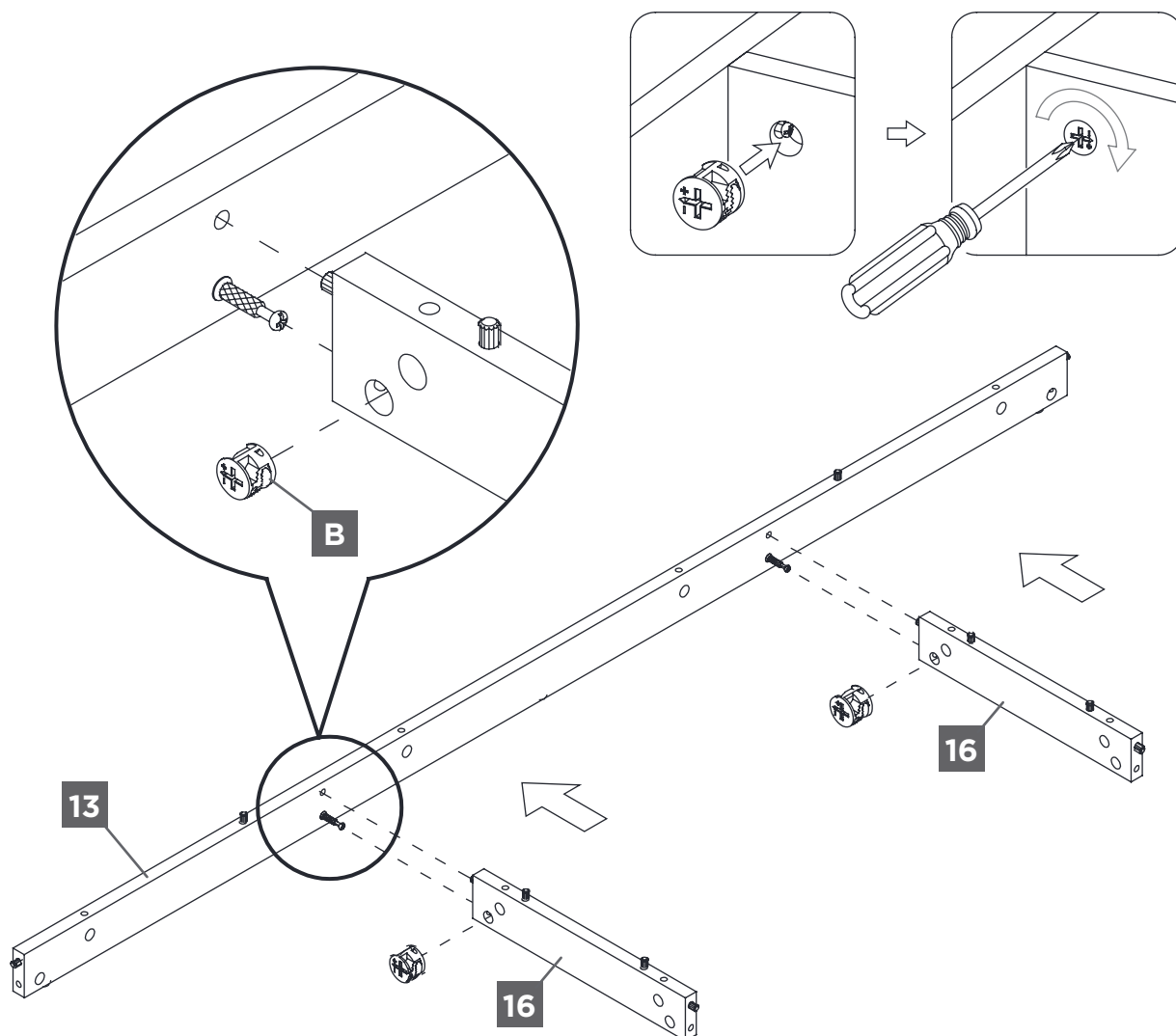
REMARQUE : Il est très important d'utiliser une petite quantité de colle **Q** sur les extrémités des goujons et d'essuyer immédiatement l'excès de colle.



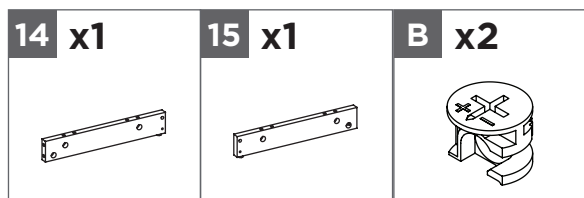
ÉTAPE 3



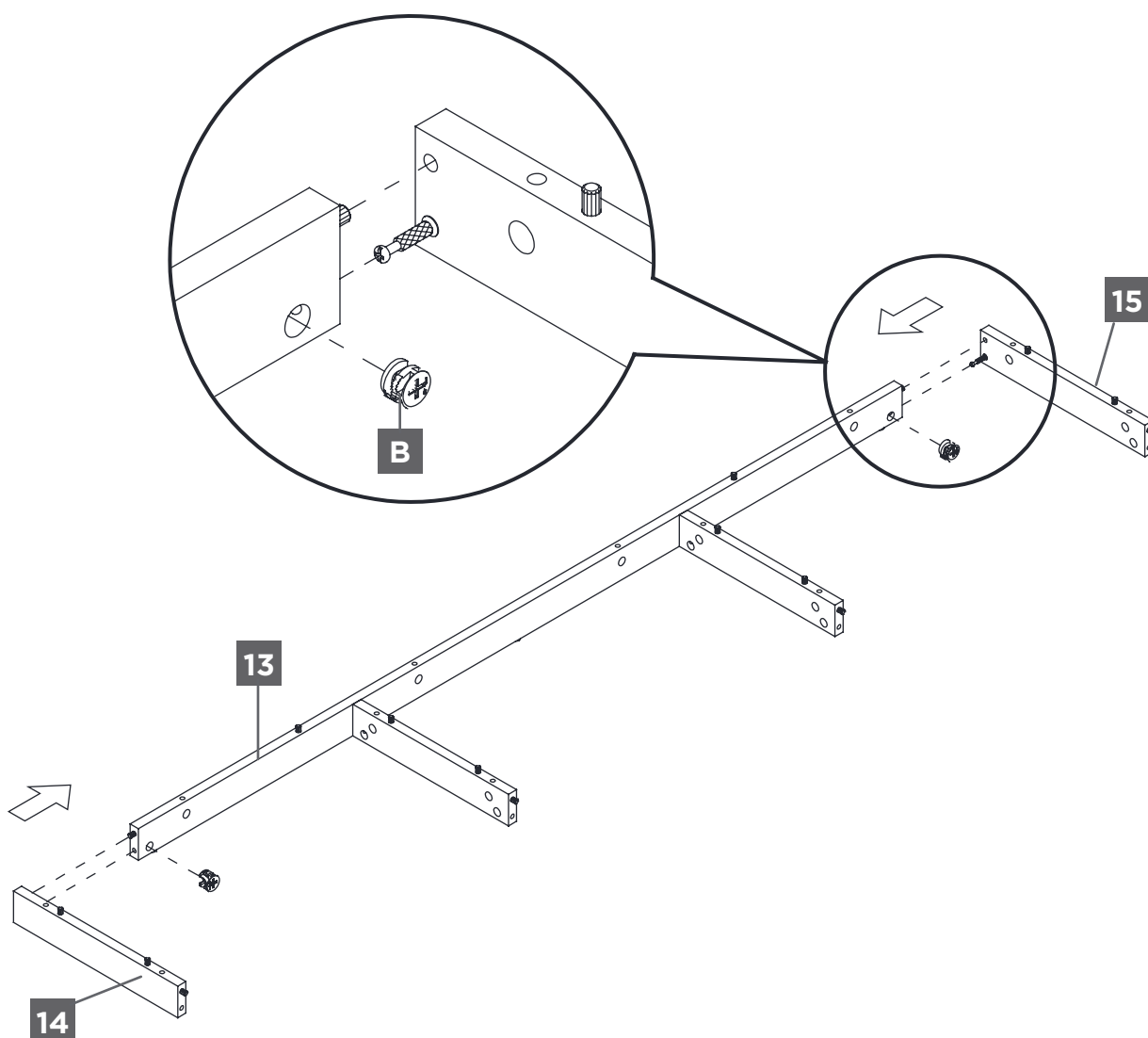
Fixez deux supports de base **16** à l'arrière en contournant **13** en engageant deux cames **B**.



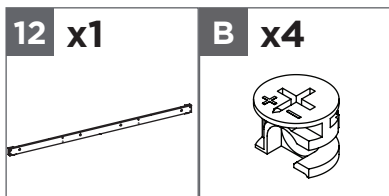
ÉTAPE 4



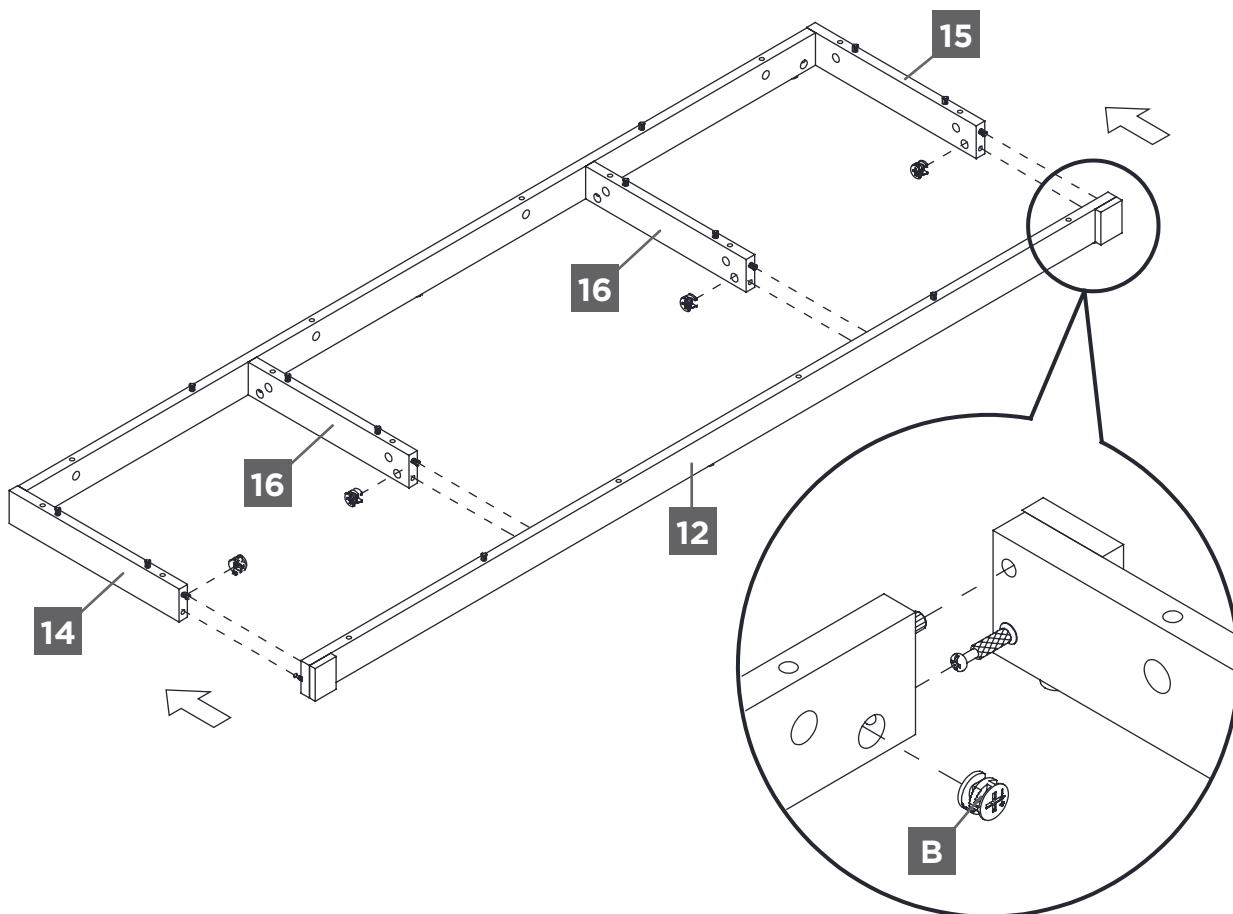
Fixez la plinthe gauche **14** à l'arrière en contournant **13** en engageant une came **B**. Répétez la même étape pour fixer la plinthe de droite **15**.



ÉTAPE 5

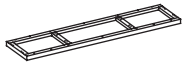


Alignez et fixez la plinthe avant **12** aux plinthes latérales (**14** et **15**) et les supports de base **16** en engageant quatre cames **B**.

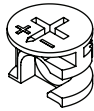


ÉTAPE 6

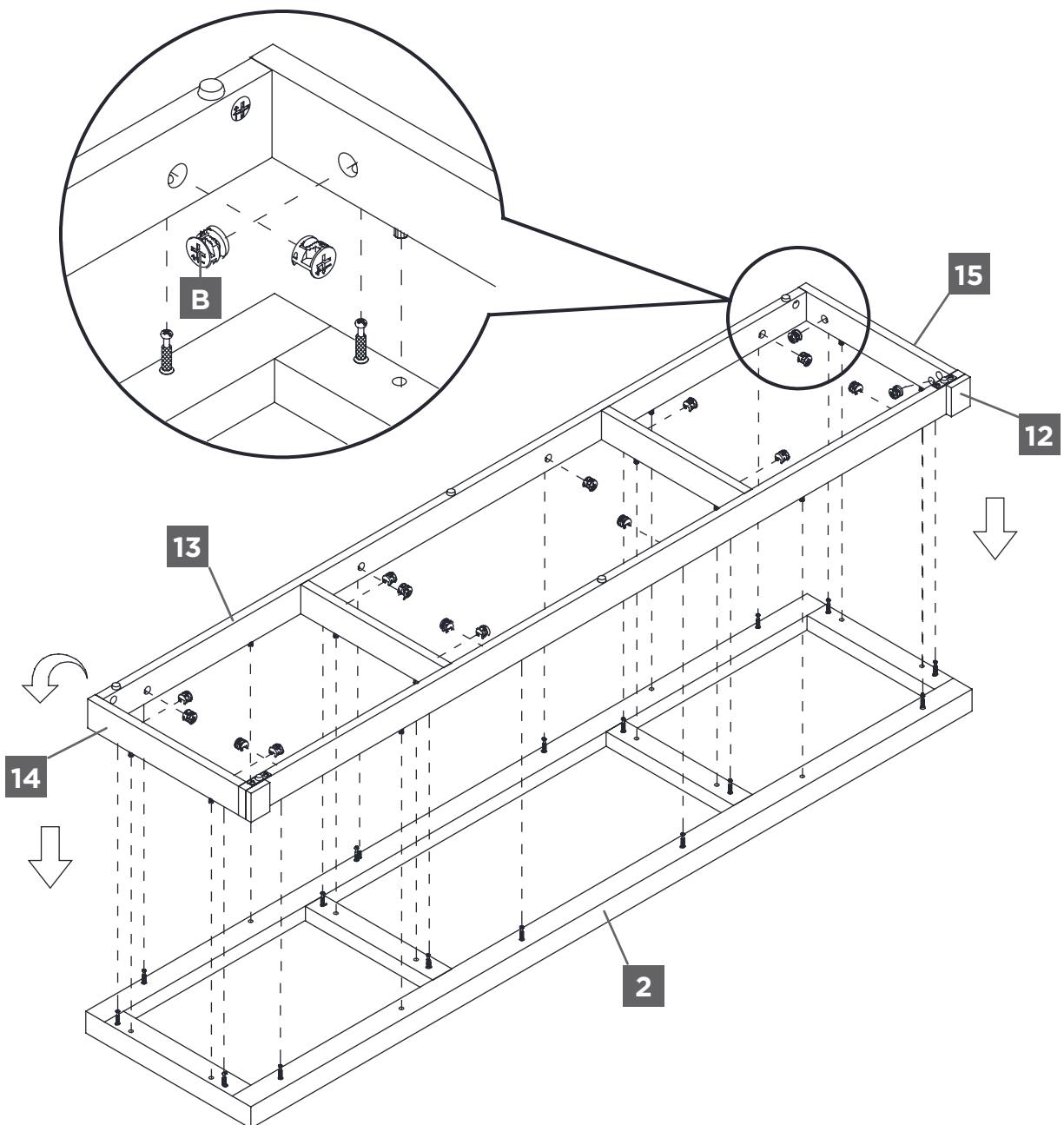
2 x1



B x16

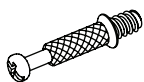


Alignez et fixez l'ensemble précédent au panneau inférieur **2** en engageant dix-huit cames **B**.



ÉTAPE 7

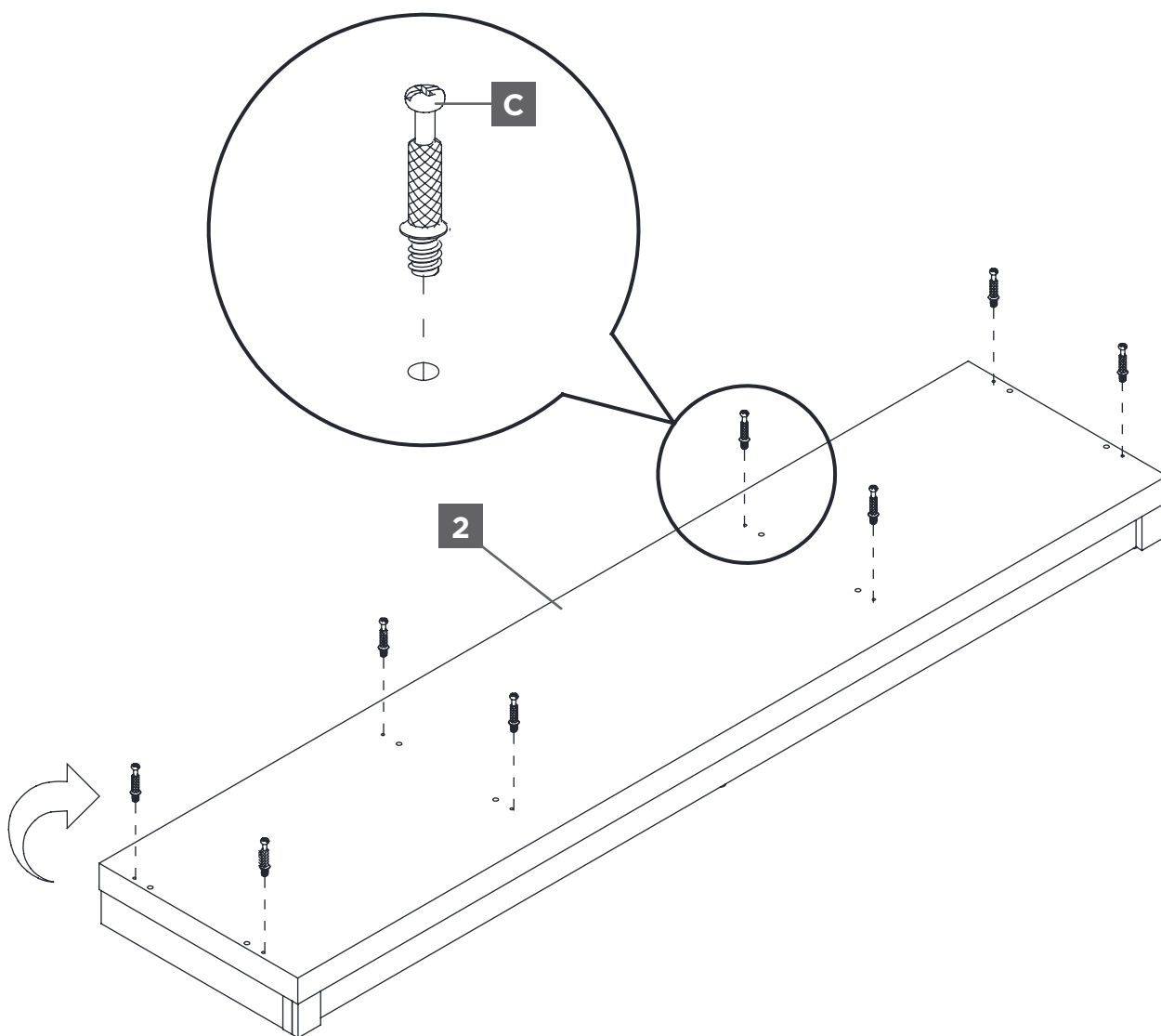
C x8



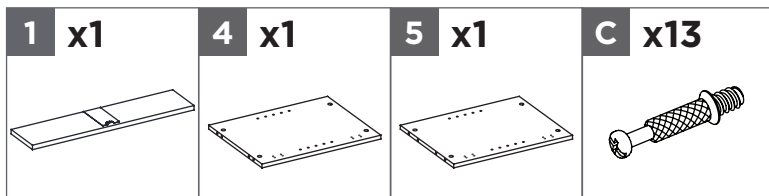
Vissez solidement les boulons à came **C** dans les petits trous désignés sur le panneau inférieur **2** à l'aide d'un tournevis à tête cruciforme.

REMARQUE :

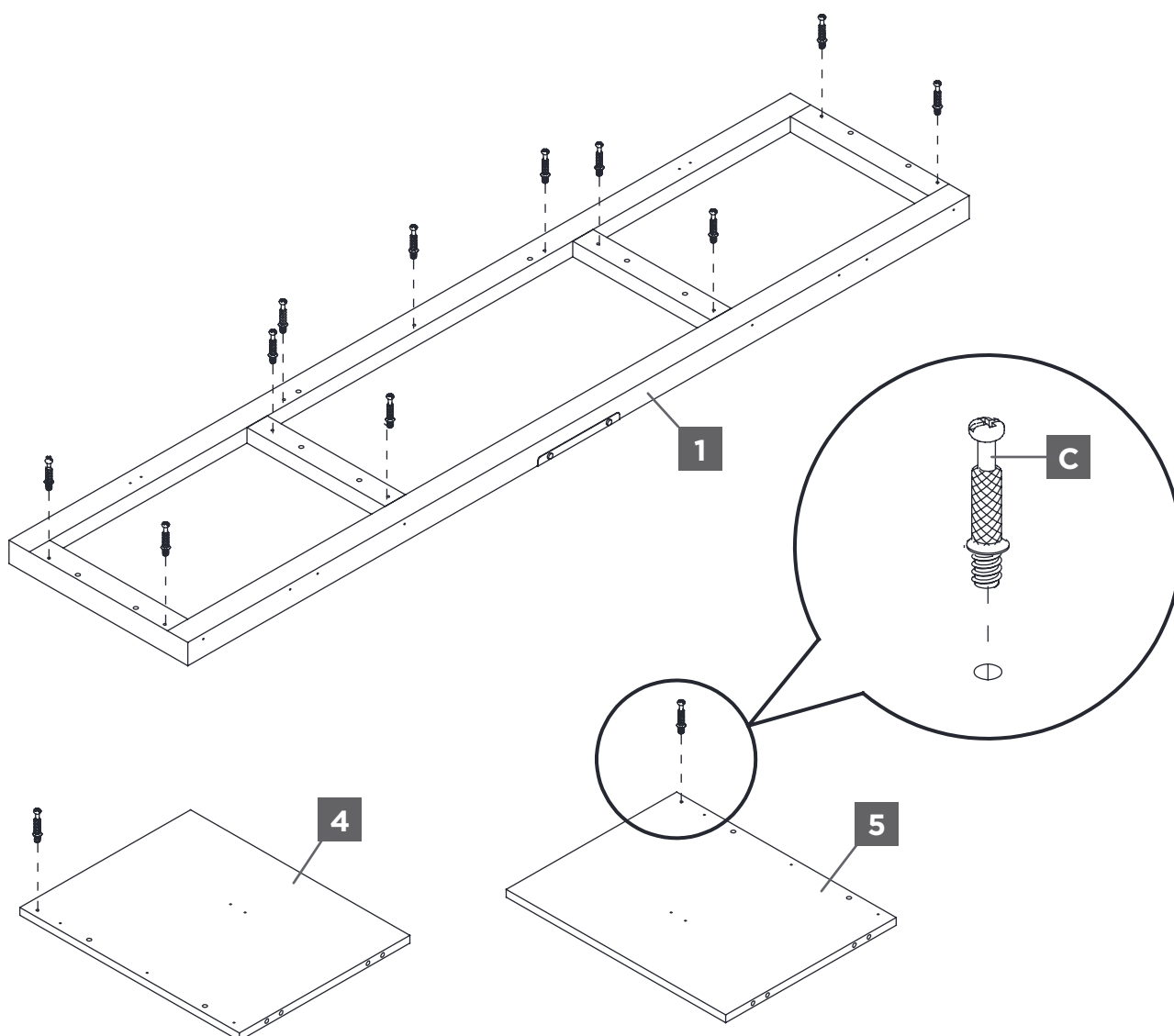
Assurez-vous que les boulons à came sont affleurants et droits.



ÉTAPE 8

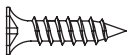


Vissez solidement les boulons à came **C** dans les petits trous désignés sur le panneau supérieur **1** et les panneaux de séparation (**4** et **5**) à l'aide d'un tournevis à tête cruciforme.



ÉTAPE 9

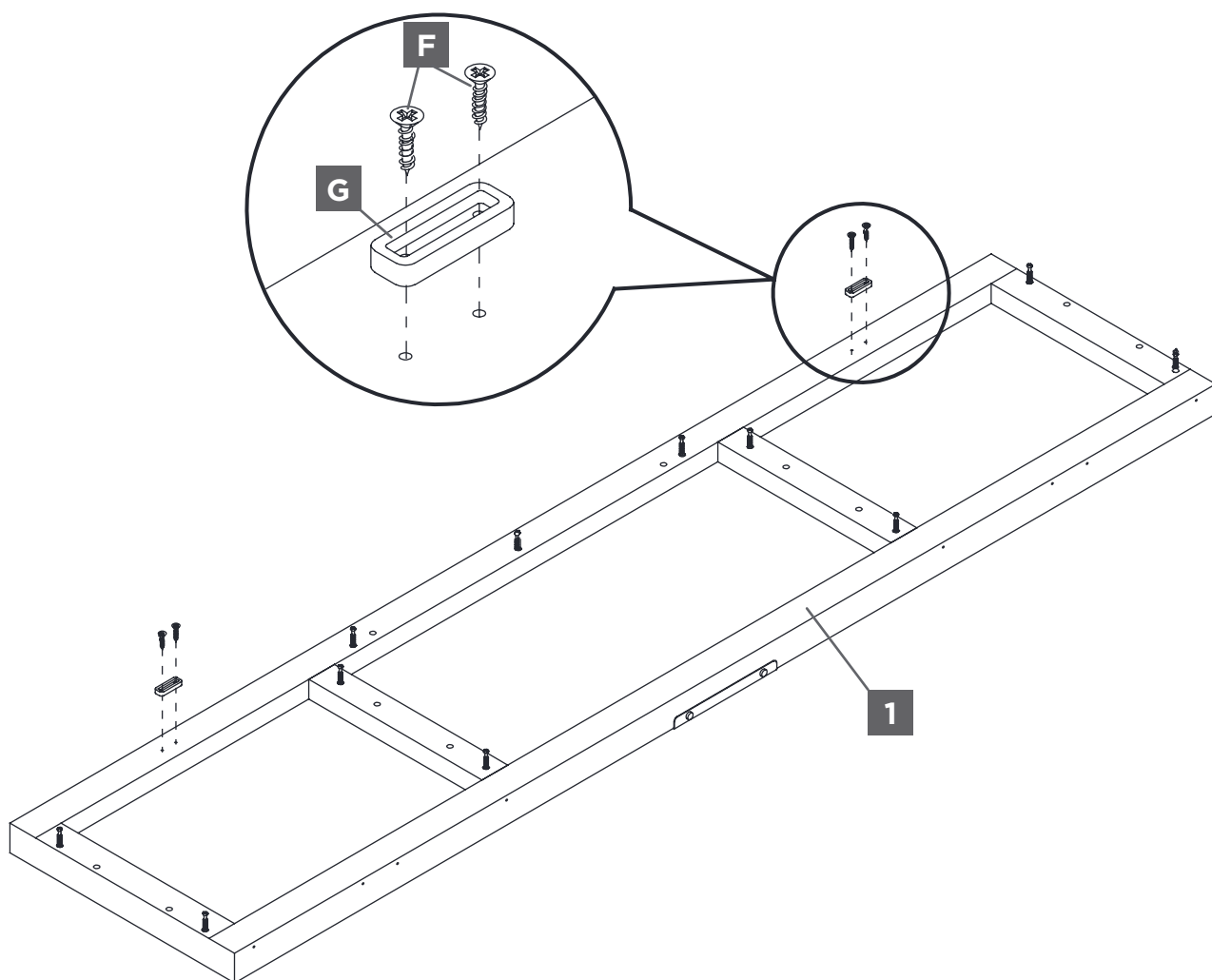
F x4



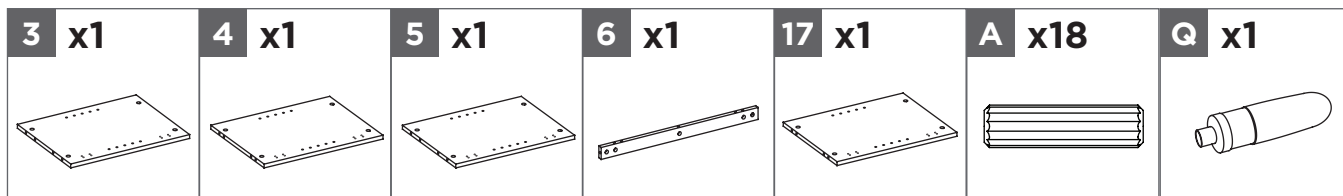
G x2



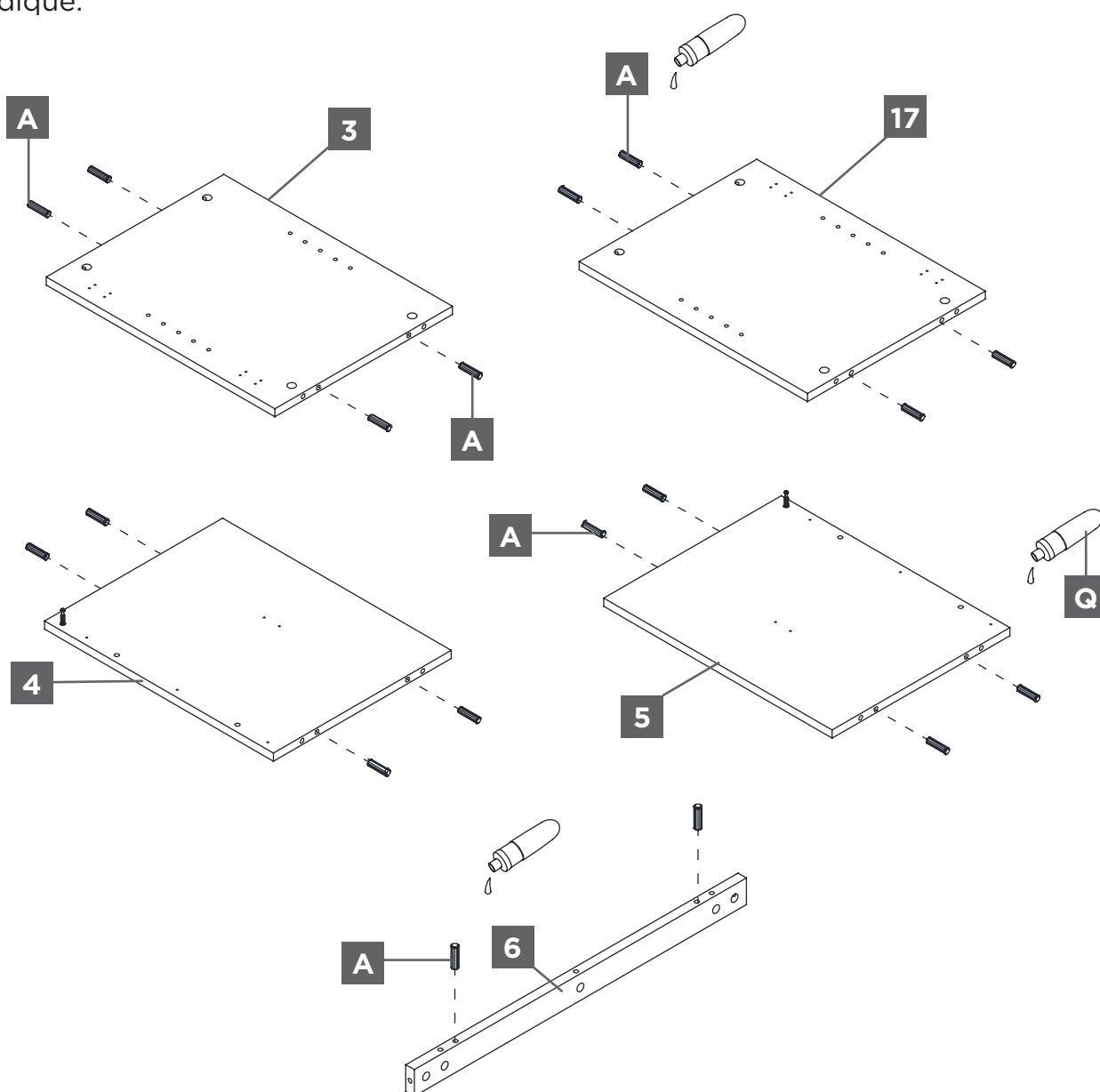
En utilisant les avant-trous comme guide, fixez deux butées de porte **G** au panneau supérieur **1** au moyen de deux vis M3x15mm **F** dans chacune.



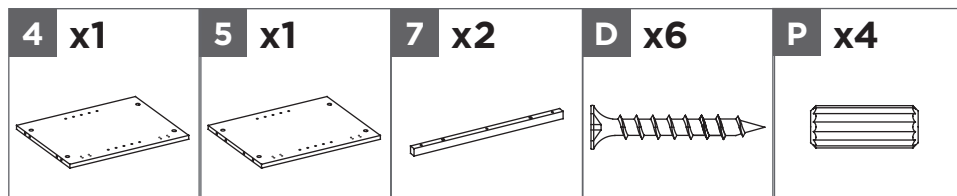
ÉTAPE 10



Collez les goujons de bois **A** dans les trous intérieurs des panneaux latéraux (**3** et **17**), les panneaux de séparation (**4** et **5**) et la barre transversale de milieu **6** comme indiqué.

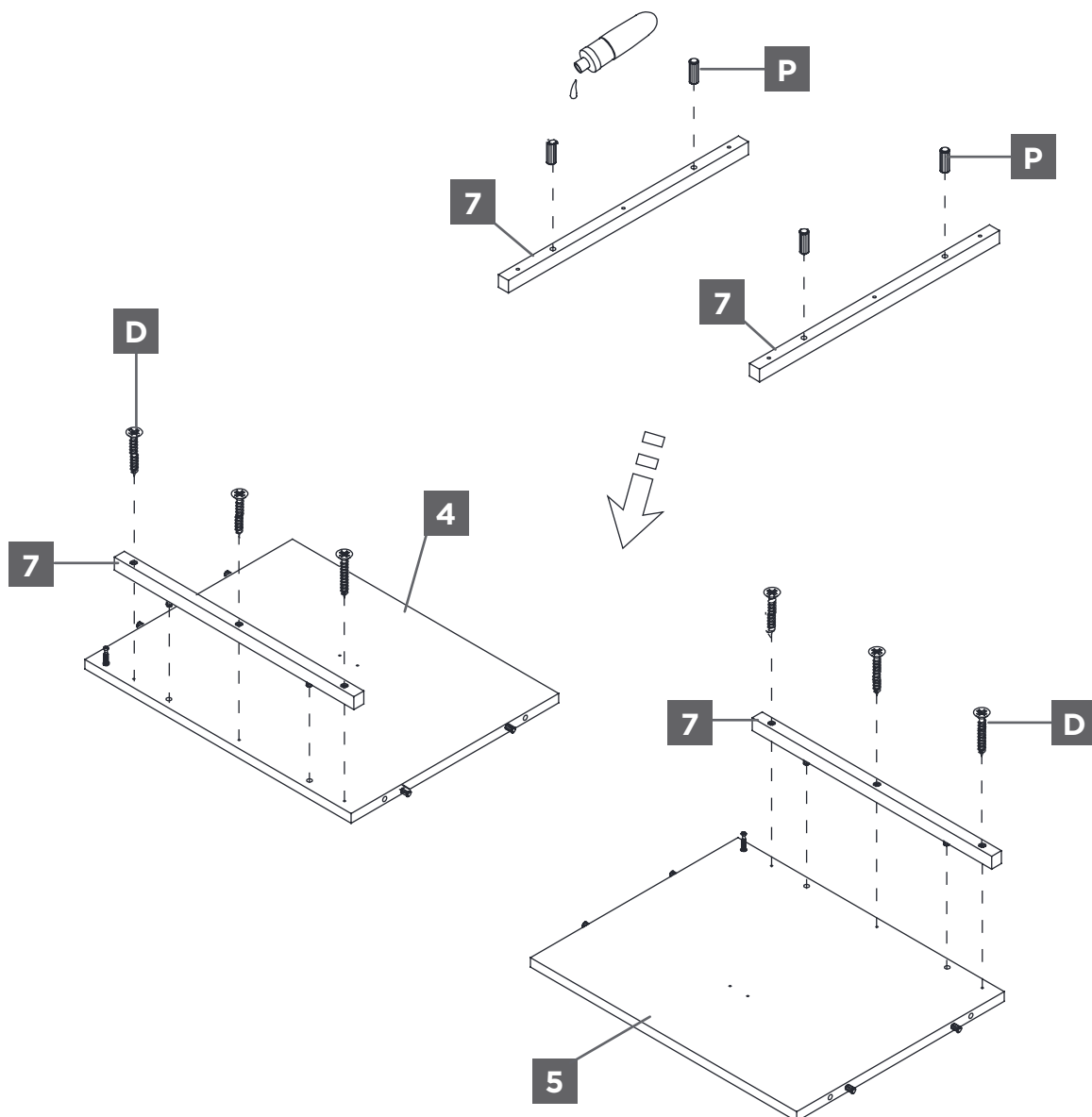


ÉTAPE 11

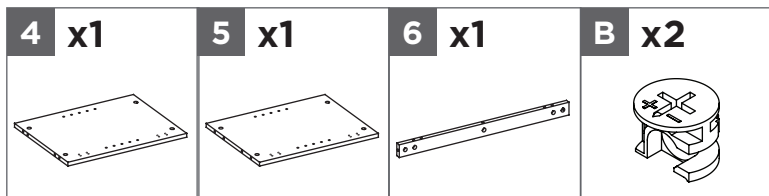


Collez deux courts goujons de bois **P** dans les trous intérieurs sur un montant de milieu **7** et fixez-les aux panneaux de séparation de gauche **4** au moyen de trois vis M4x32mm **D**.

Répétez le même processus pour attacher l'autre montant de milieu **7** au panneau de séparation de droite **5**.



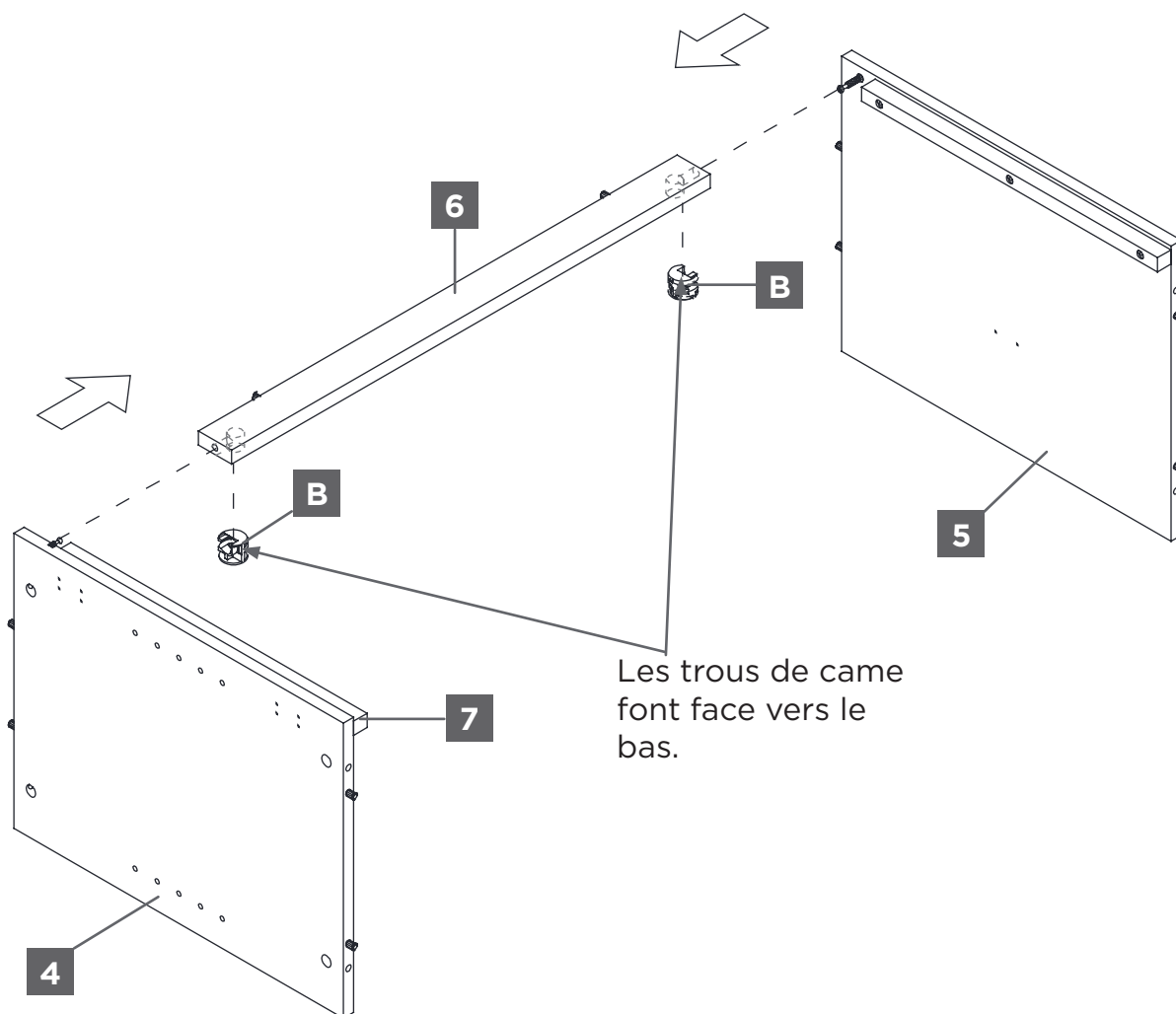
ÉTAPE 12



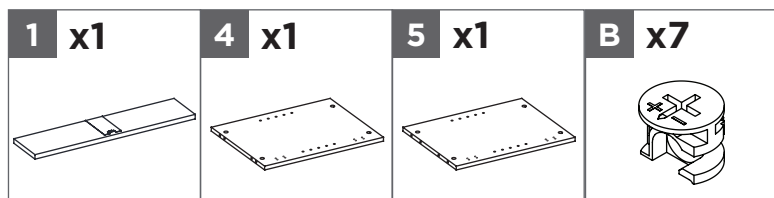
Alignez et fixez la barre transversale du milieu **6** entre les panneaux de séparation (**4** et **5**) en engageant deux cames **B**.

REMARQUE :

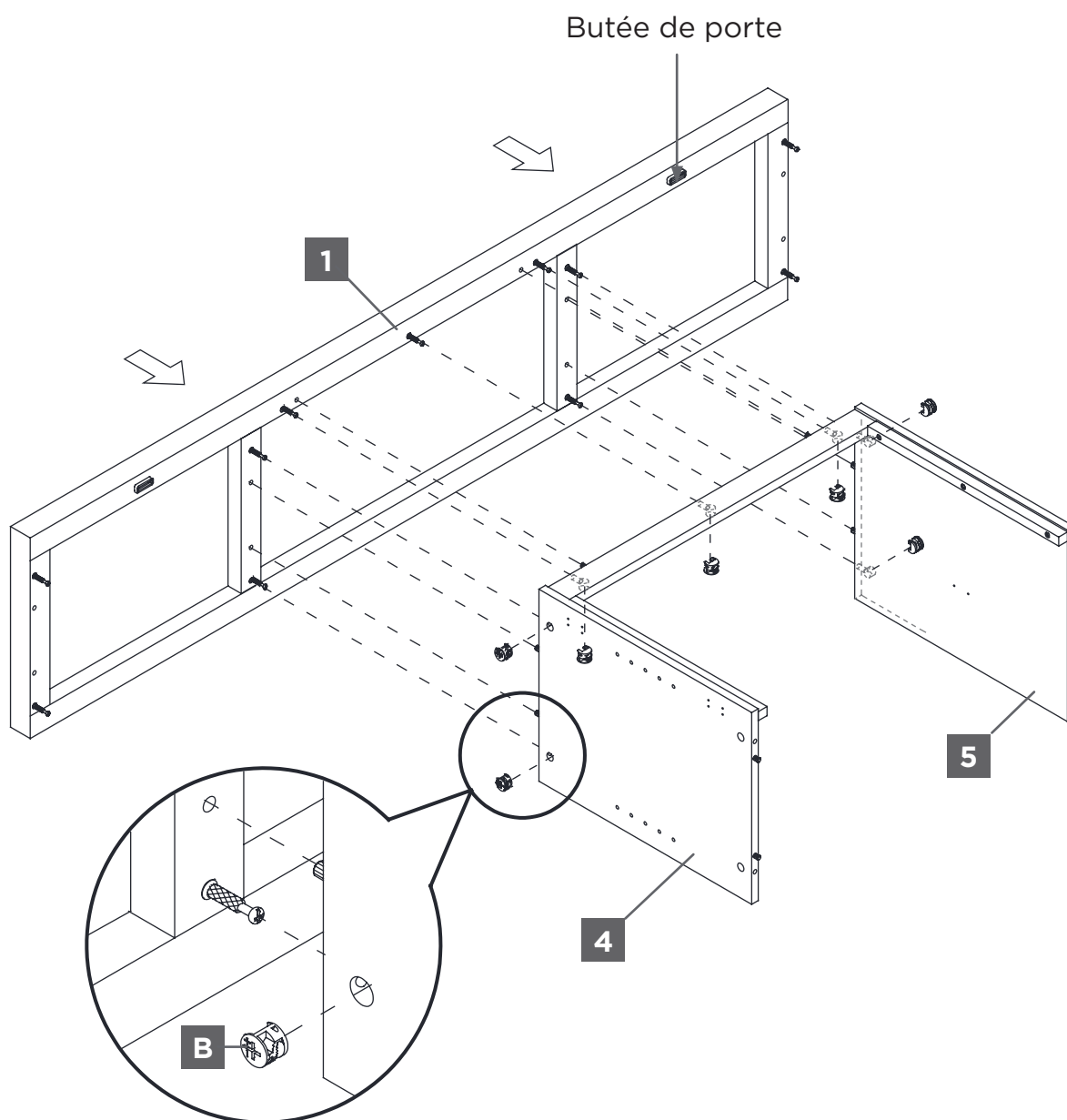
Les montants du milieu **7** s'alignent avec la barre transversale du milieu **6**.



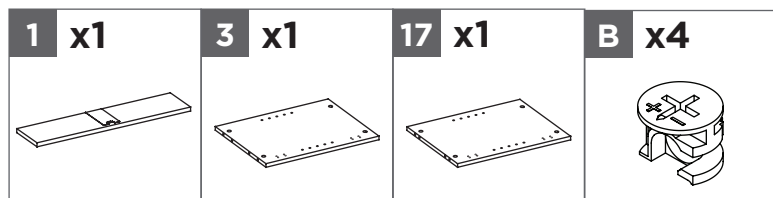
ÉTAPE 13



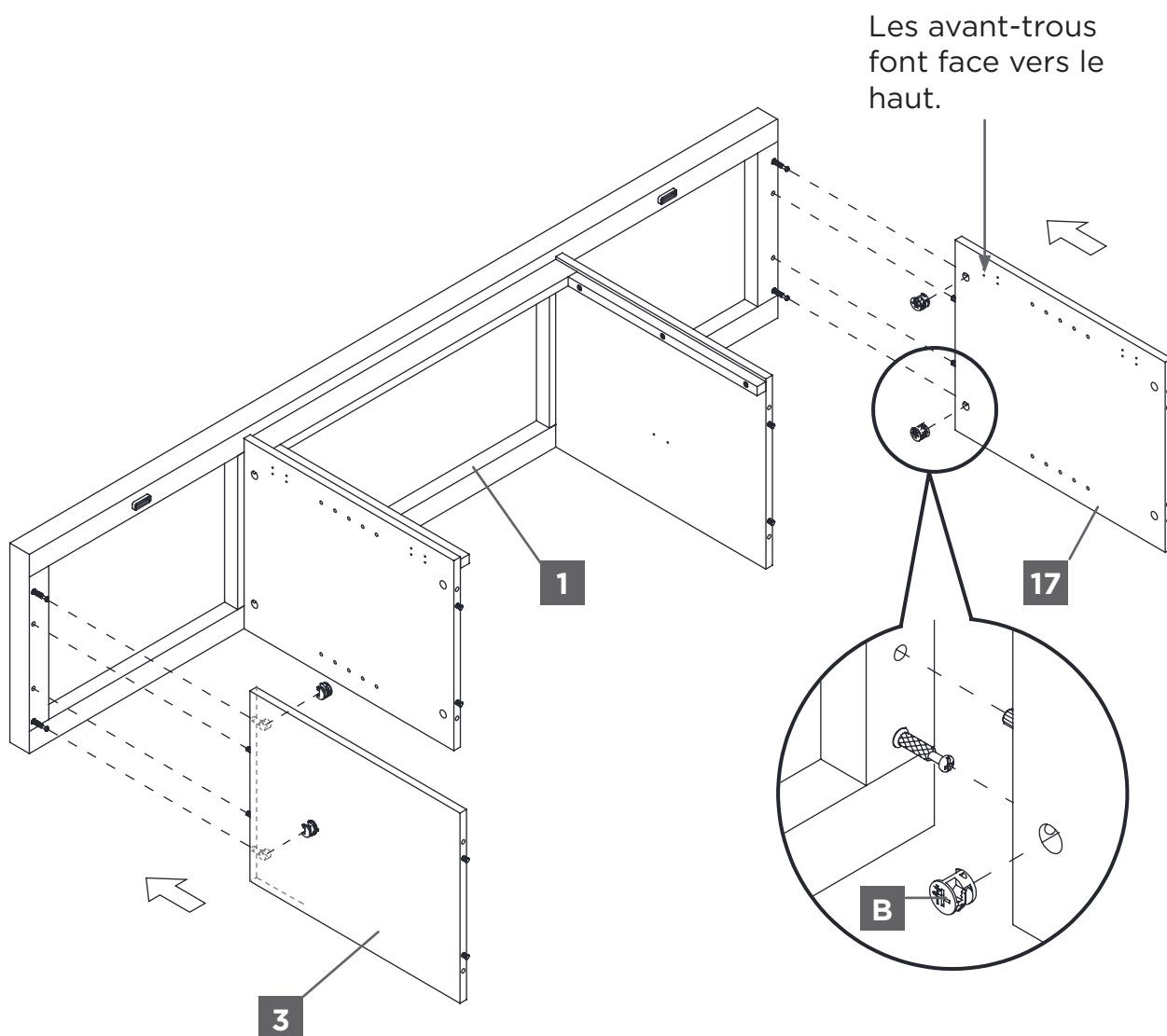
Fixez l'ensemble précédent au panneau supérieur **1** en engageant sept cames **B**.



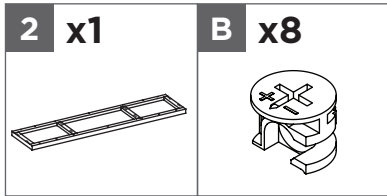
ÉTAPE 14



Fixez les panneaux latéraux (**3** et **17**) au panneau supérieur **1** en engageant quatre cames **B**.

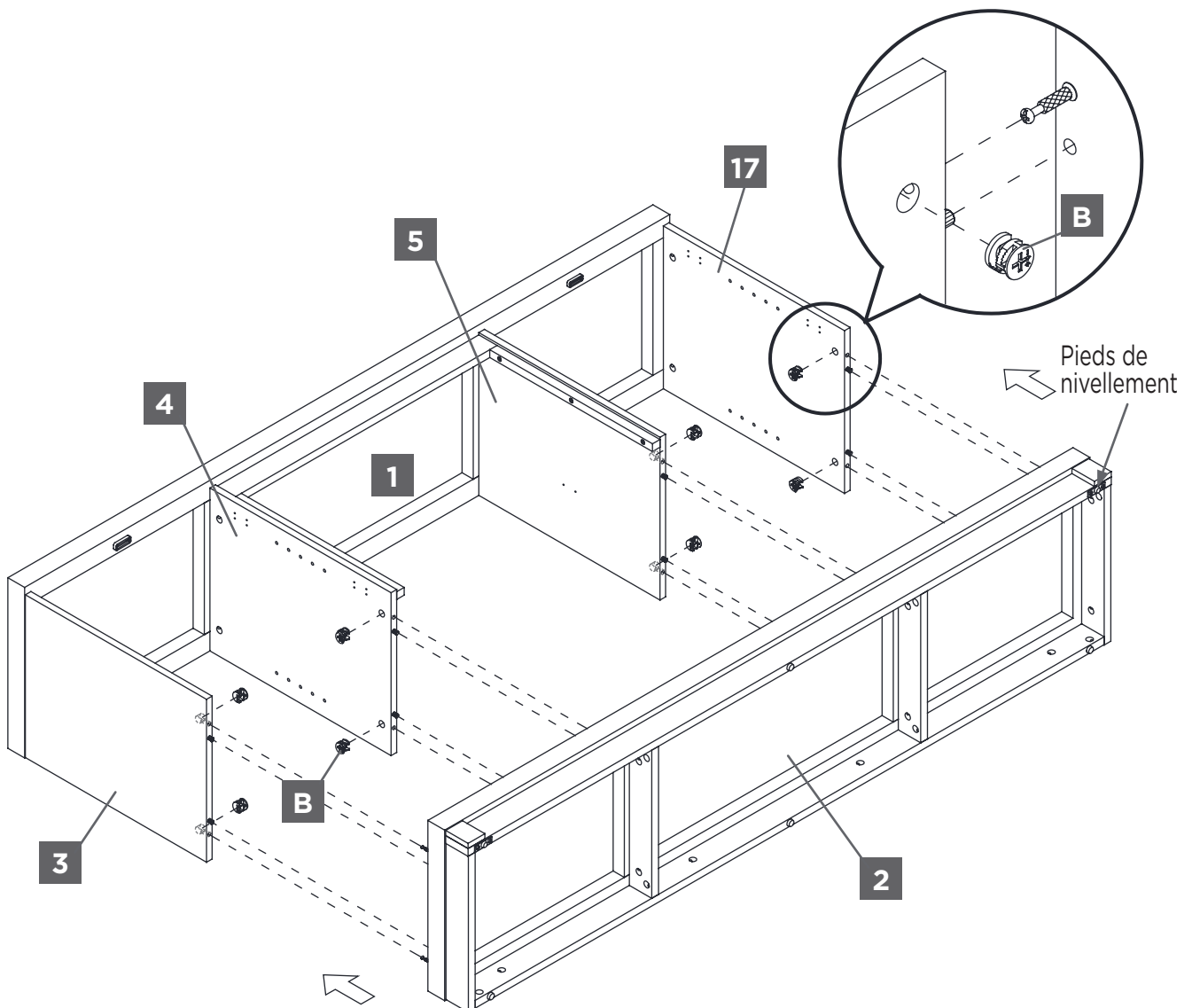


ÉTAPE 15



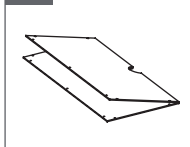
Alignez les grands trous sur le panneau inférieur **2** avec les goujons de bois insérés sur les panneaux verticaux (**3**, **4**, **5** et **17**) et appuyez-les ensemble.

Fixez le panneau inférieur **2** en place en engageant huit cames **B**.

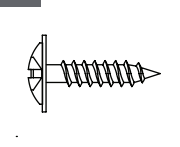


ÉTAPE 16

10 x2



E x28



Revenez en arrière et serrez complètement toutes les fixations. Assurez-vous qu'il n'y a pas d'espace entre les pièces. Cela aidera à garder le meuble à l'équerre.

Retournez le meuble assemblé sur ses bords avant.

Dépliez les panneaux arrière **10** et alignez les trous prépercés avec les avant-trous sur le panneau supérieur **1**, le panneau inférieur **2** et les panneaux verticaux (**3**, **4**, **5** et **17**).

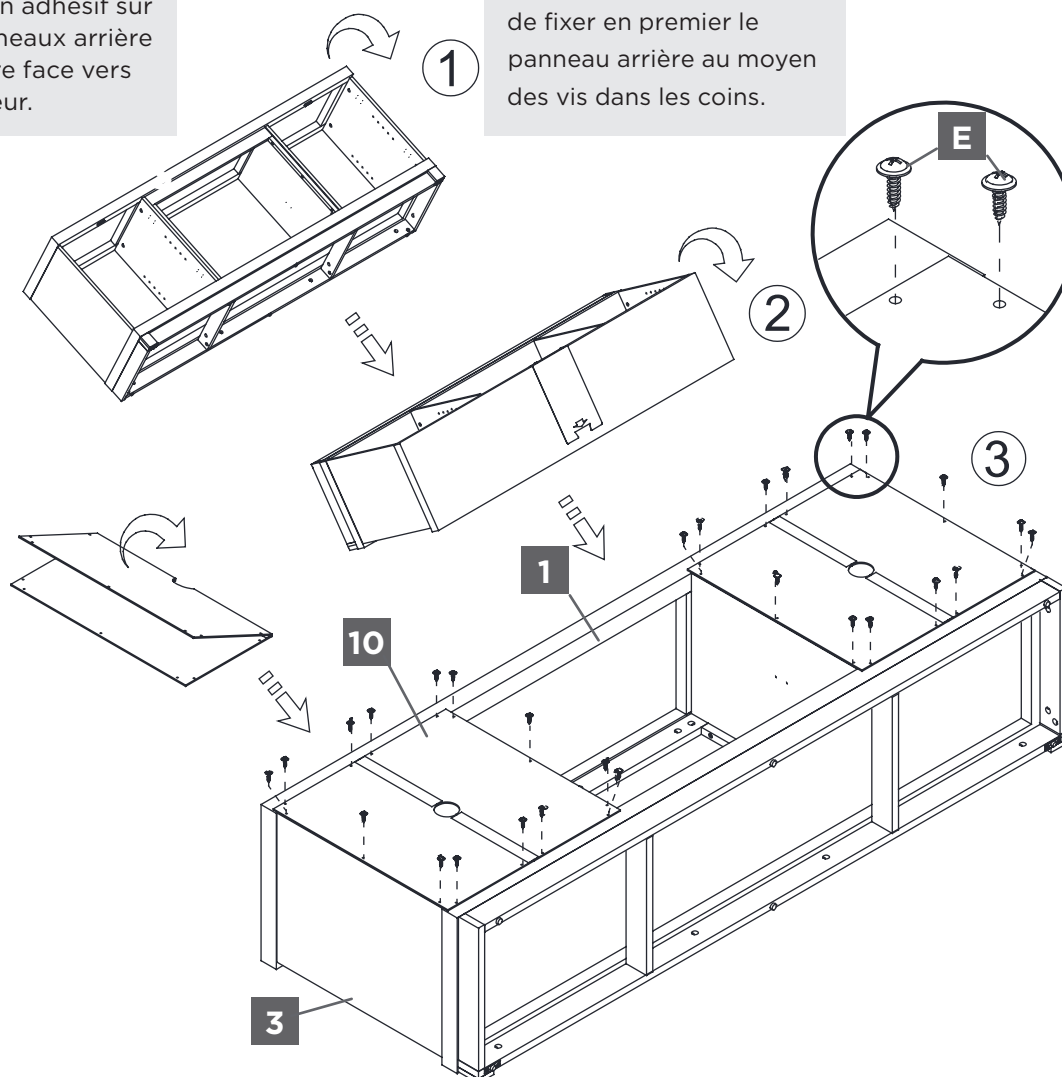
Fixez les panneaux arrière **10** en place avec les vis à tête hexagonale M3,5x15mm avec rondelles fournies **E**.

REMARQUE :

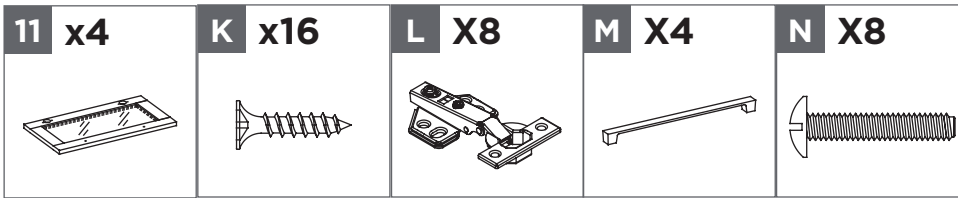
Le ruban adhésif sur les panneaux arrière doit faire face vers l'extérieur.

REMARQUE :

Nous vous recommandons de fixer en premier le panneau arrière au moyen des vis dans les coins.



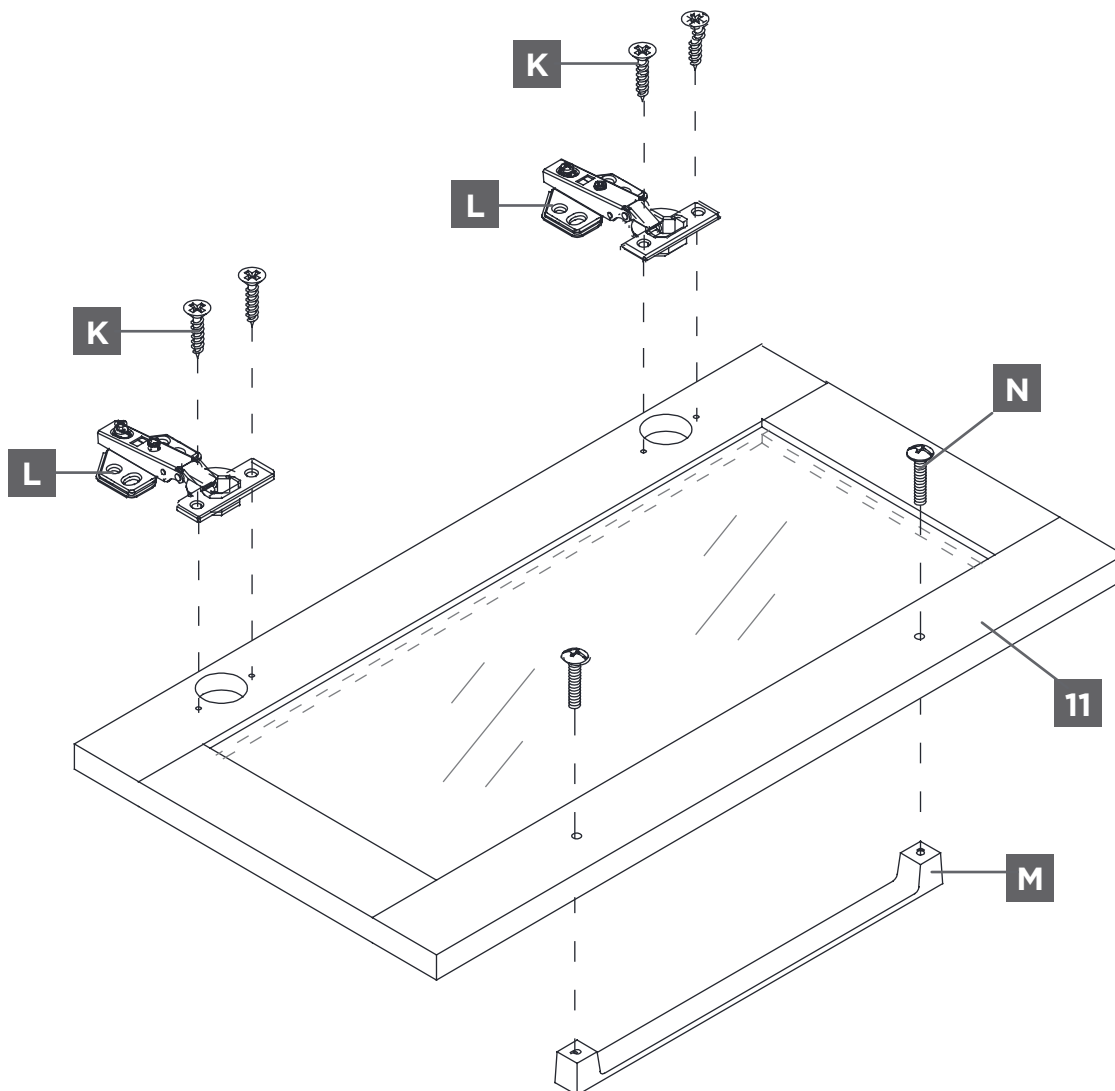
ÉTAPE 17



Étendez deux charnières de porte **L** et posez les ventouses de charnière sur les découpes d'une porte **11**. Fixez-les en place avec quatre vis en zinc M4x14mm **K**.

Installez une poignée **M** sur le côté avant de la porte avec deux boulons 5/32 po x 22 mm **N**.

Répétez le même processus pour les portes restantes **11**.

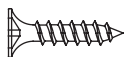
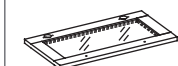


x 4

ÉTAPE 18

11 x4

K x32

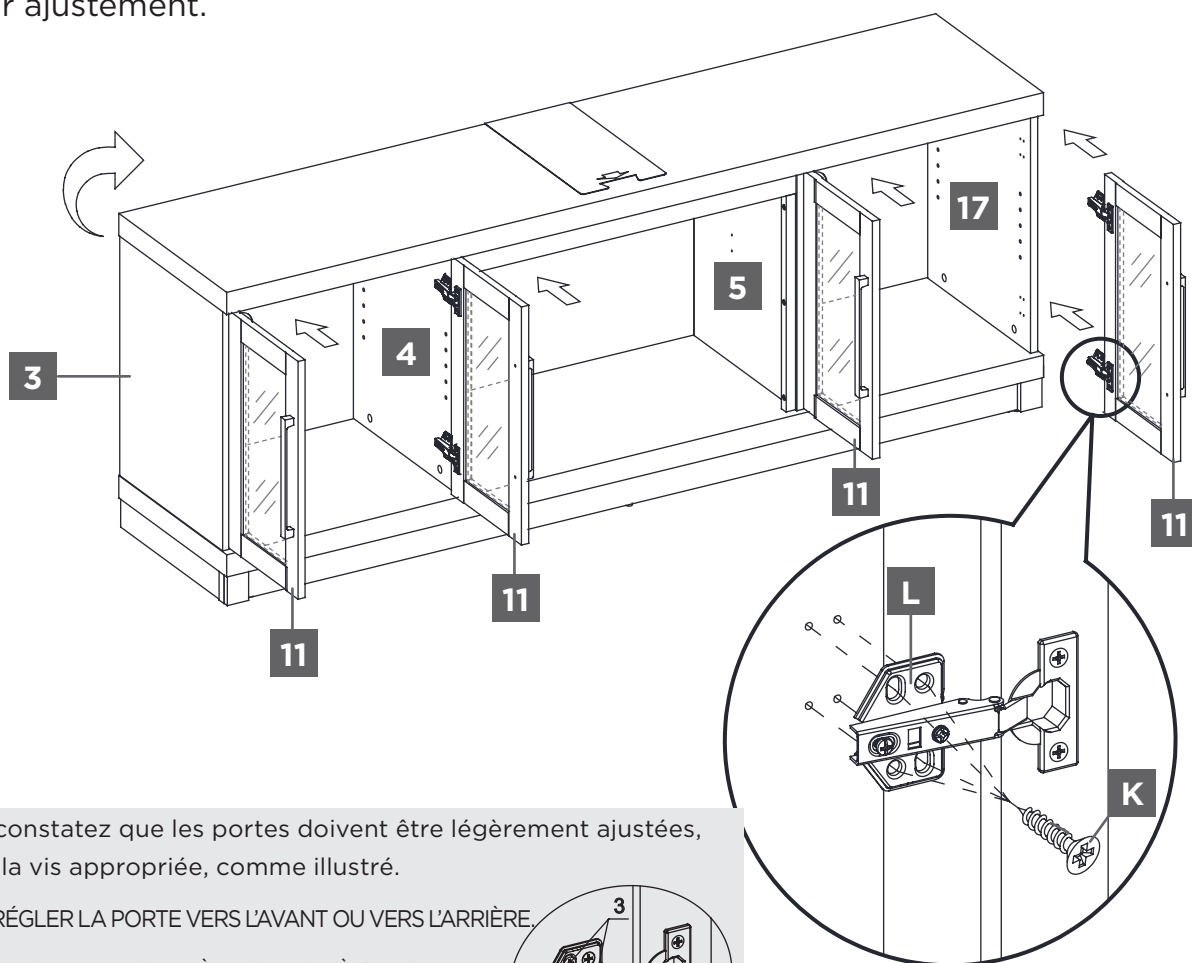


Redressez le meuble et positionnez-le près de son emplacement final en assurant de l'espace pour accéder à l'arrière avec l'appareil de foyer.

Levez une porte **11** et fixez les bases de charnière **L** sur le panneau latéral de gauche **3** au moyen de deux vis en zinc M4x14mm **K**, en utilisant les avant-trous comme guide.

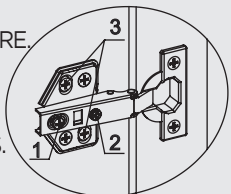
Répétez le même processus pour fixer le reste des portes à panneau latéral de droite **17** et les panneaux de séparation (**4** et **5**).

Ouvrez et fermez les portes pour vous assurer qu'elles sont bien alignées et se ferment correctement. Si nécessaire, ajustez les vis du bras de charnière pour un meilleur ajustement.

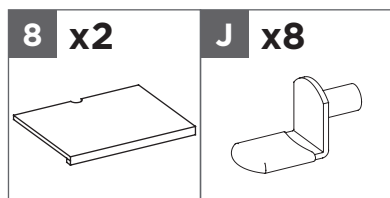


Si vous constatez que les portes doivent être légèrement ajustées, tournez la vis appropriée, comme illustré.

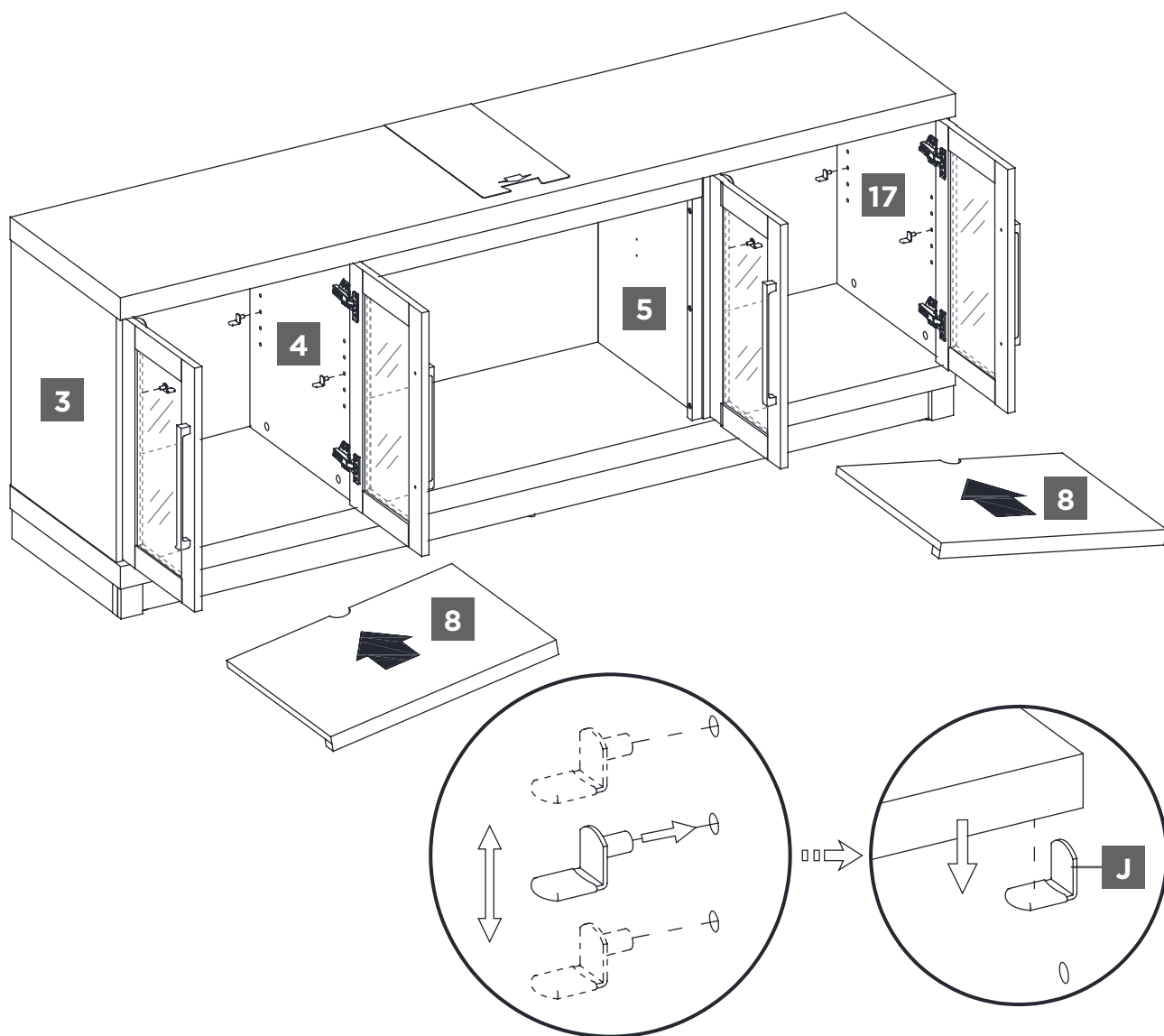
1. POUR RÉGLER LA PORTE VERS L'AVANT OU VERS L'ARRIÈRE.
2. POUR AJUSTER LA PORTE À DROITE OU À GAUCHE.
3. POUR RÉGLER LA PORTE VERS LE HAUT OU VERS LE BAS.



ÉTAPE 19

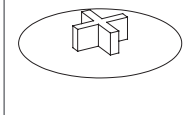


Ouvrez les portes et insérez quatre taquets **J** dans les trous à la hauteur souhaitée à l'intérieur de chaque compartiment latéral. Assurez-vous de placer les quatre taquets au même niveau afin que la tablette ne soit pas inclinée. Inclinez et reposez les tablettes réglables **8** sur les taquets.

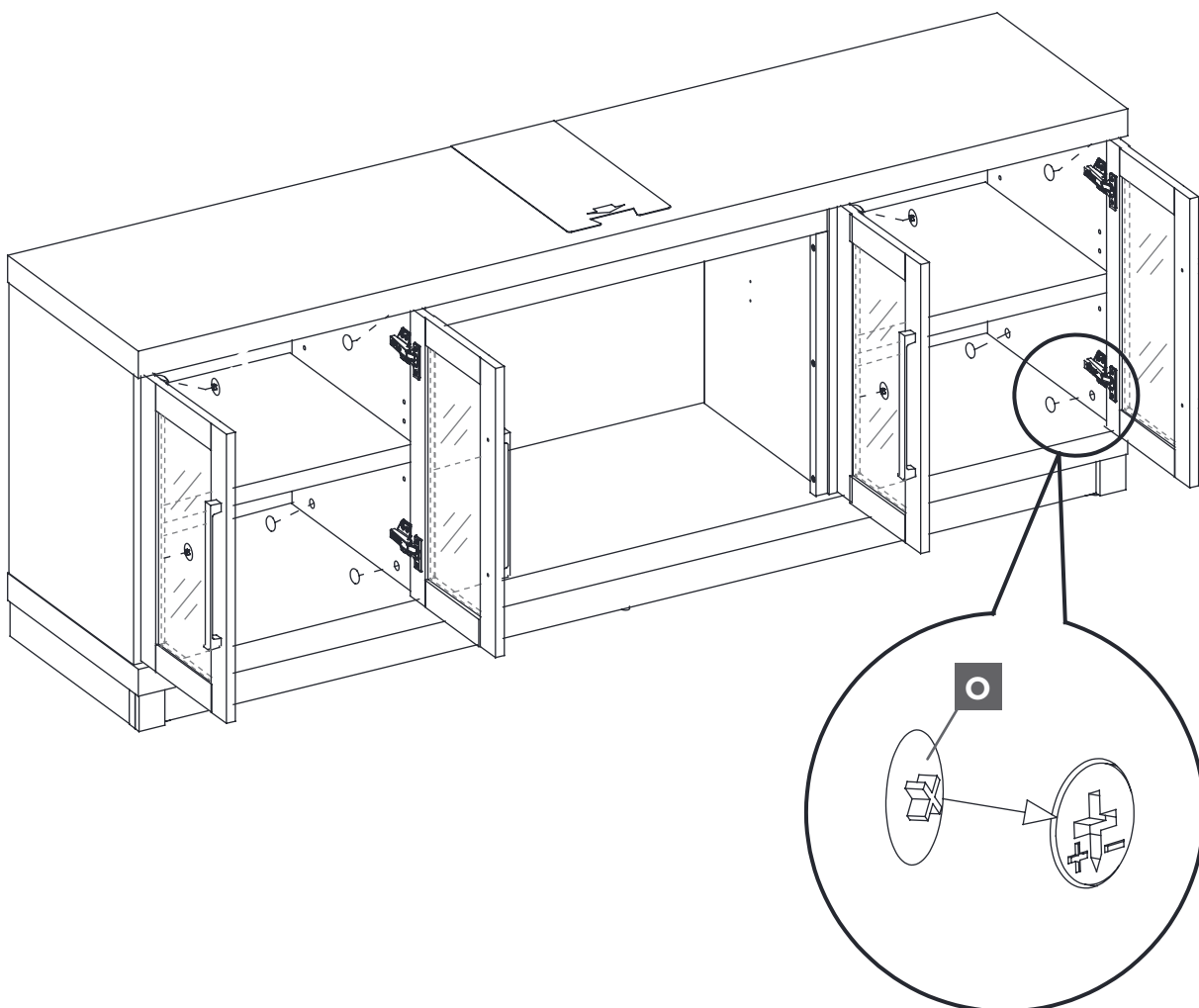


ÉTAPE 20

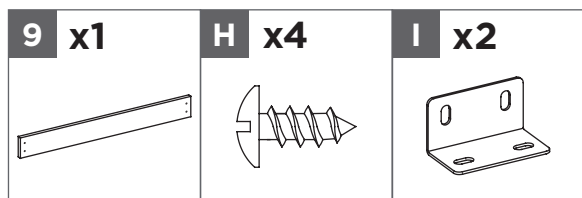
○ x16



Posez les caches de came ○ sur les came de verrouillage visibles pour masquer les came.

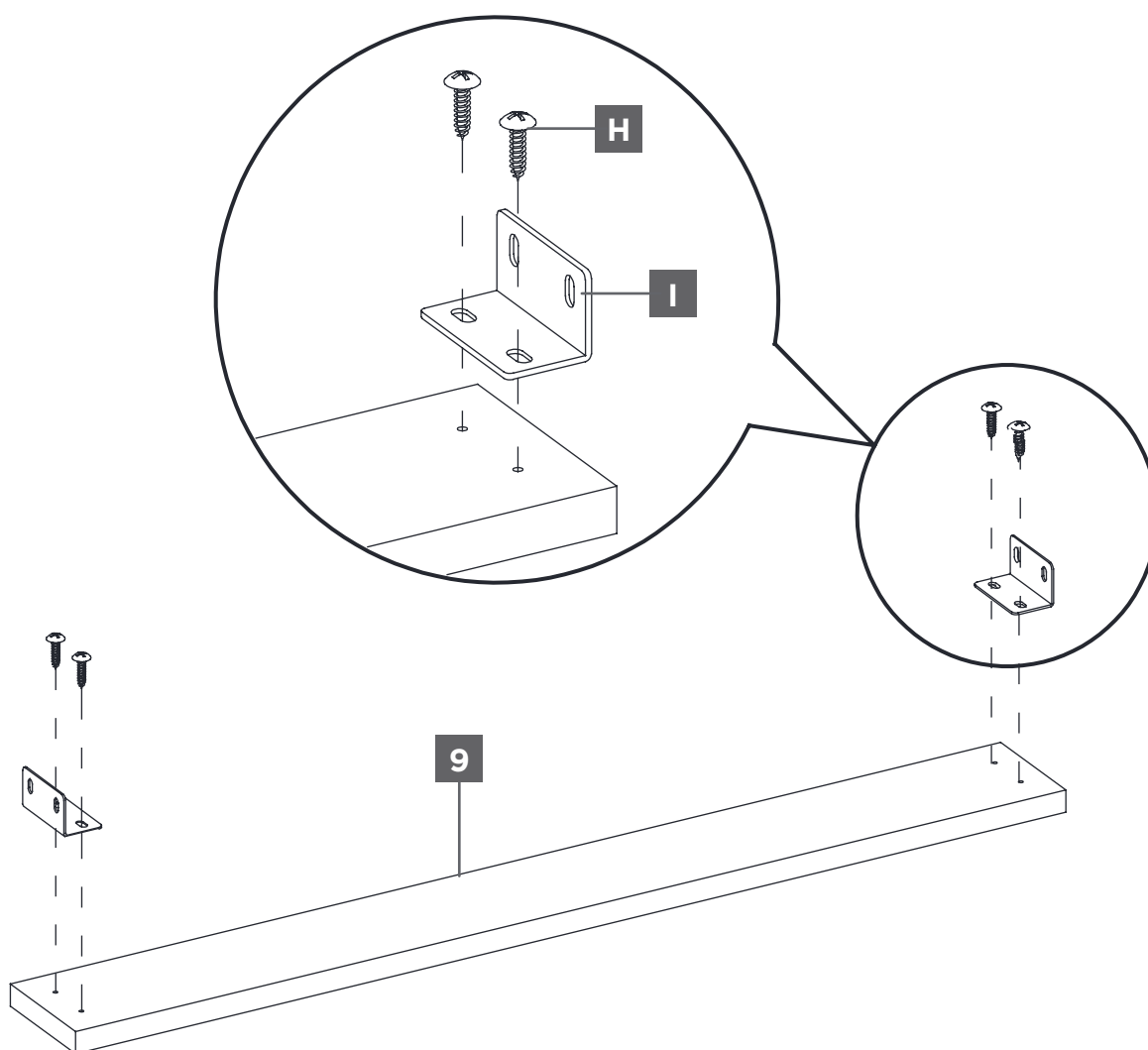


ÉTAPE 21

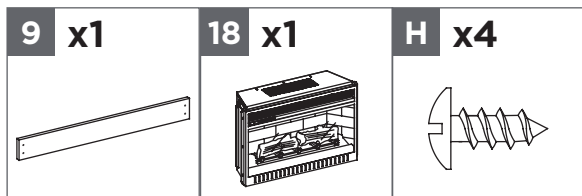


En utilisant les avant-trous comme guide, fixez deux supports en L **I** sur le support du foyer **9** au moyen de quatre courtes vis à tête cylindrique **H**.

Assurez-vous que le côté à angle droit des supports en L soit affleurant avec l'extrémité du support du foyer.

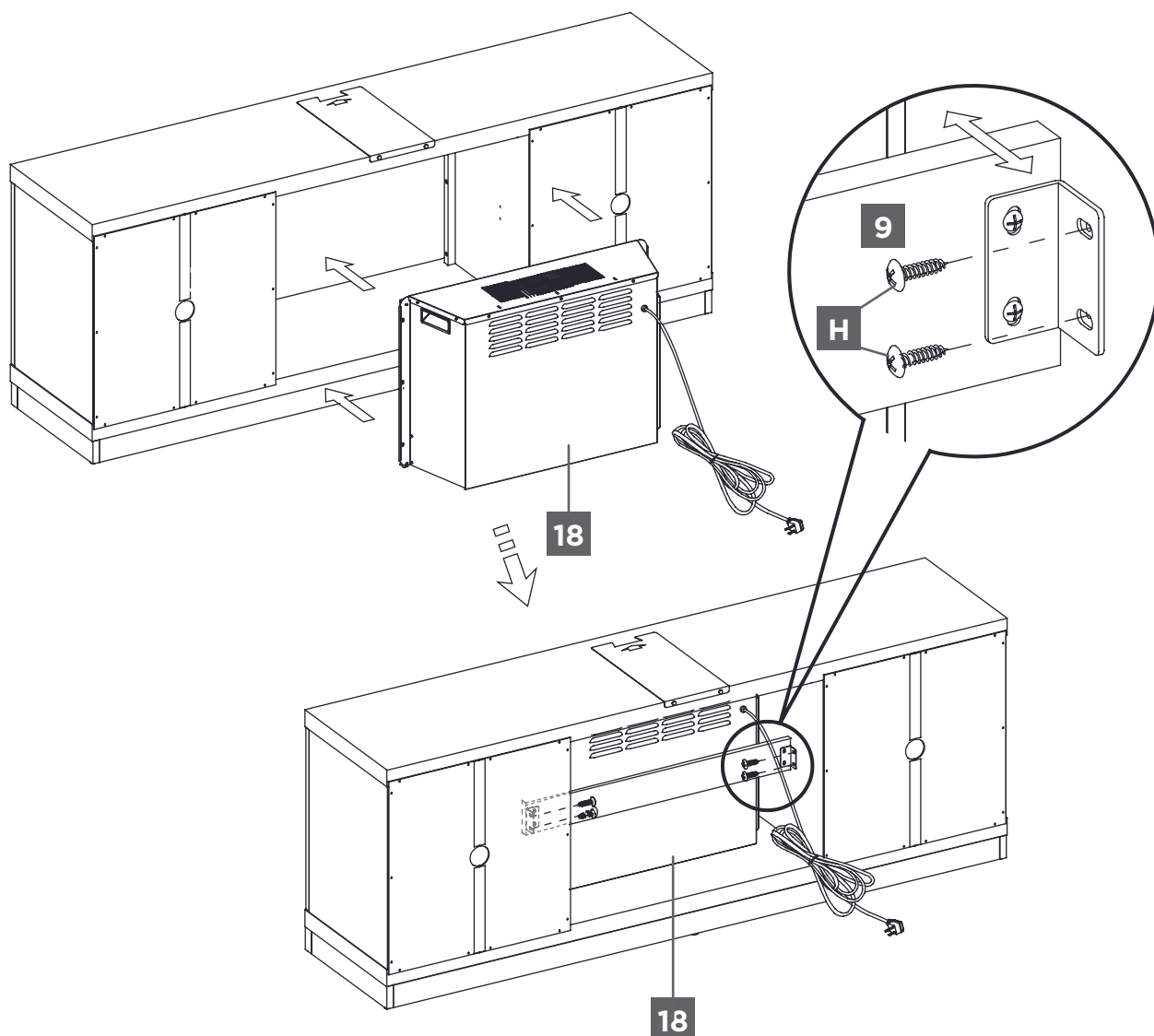


ÉTAPE 22



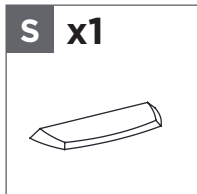
Soulevez l'appareil **18** avec précaution à l'arrière du manteau assemblé et centrez-le dans l'ouverture. NE FAITES PAS glisser l'appareil sur le panneau inférieur, car il peut rayer l'appareil.

En utilisant les avant-trous comme guide, fixez le support du foyer **9** entre les panneaux de séparation **4** et **5** au moyen de quatre courtes vis à tête hexagonale M5x12mm **H**.



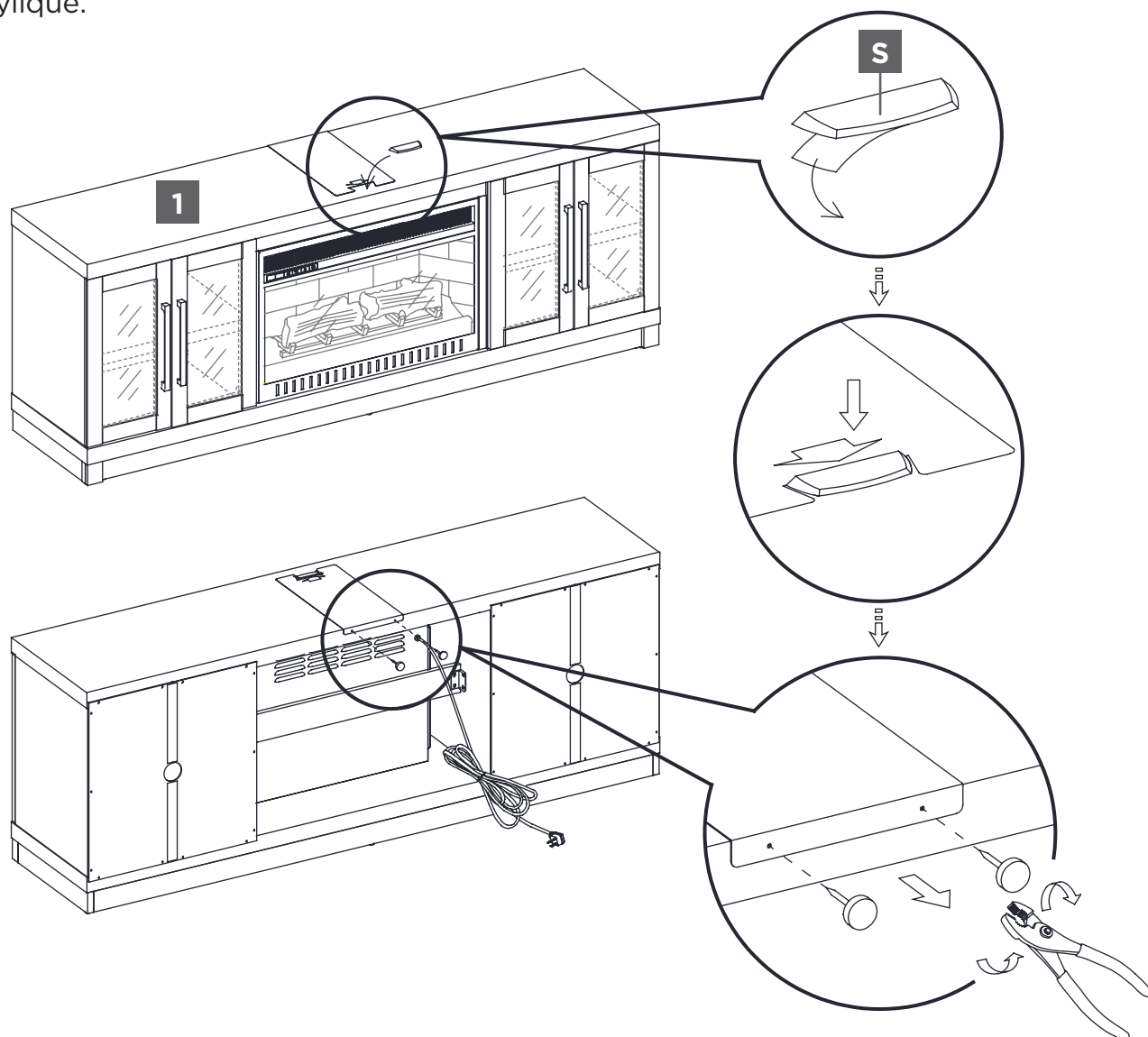
ÉTAPE 23

S x1



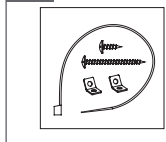
Retirez le papier d'endos de la butée en acrylique **S**, puis alignez correctement la butée acrylique dans la découpe du gabarit de la butée acrylique à l'avant du panneau supérieur **1**. Appuyez sur la butée acrylique pour obtenir une meilleure adhérence.

À l'arrière du panneau supérieur **1**, saisissez les têtes des punaises en plastique avec une pince et, en tournant, détachez les punaises pour retirer le gabarit de butée en acrylique.



ÉTAPE 24

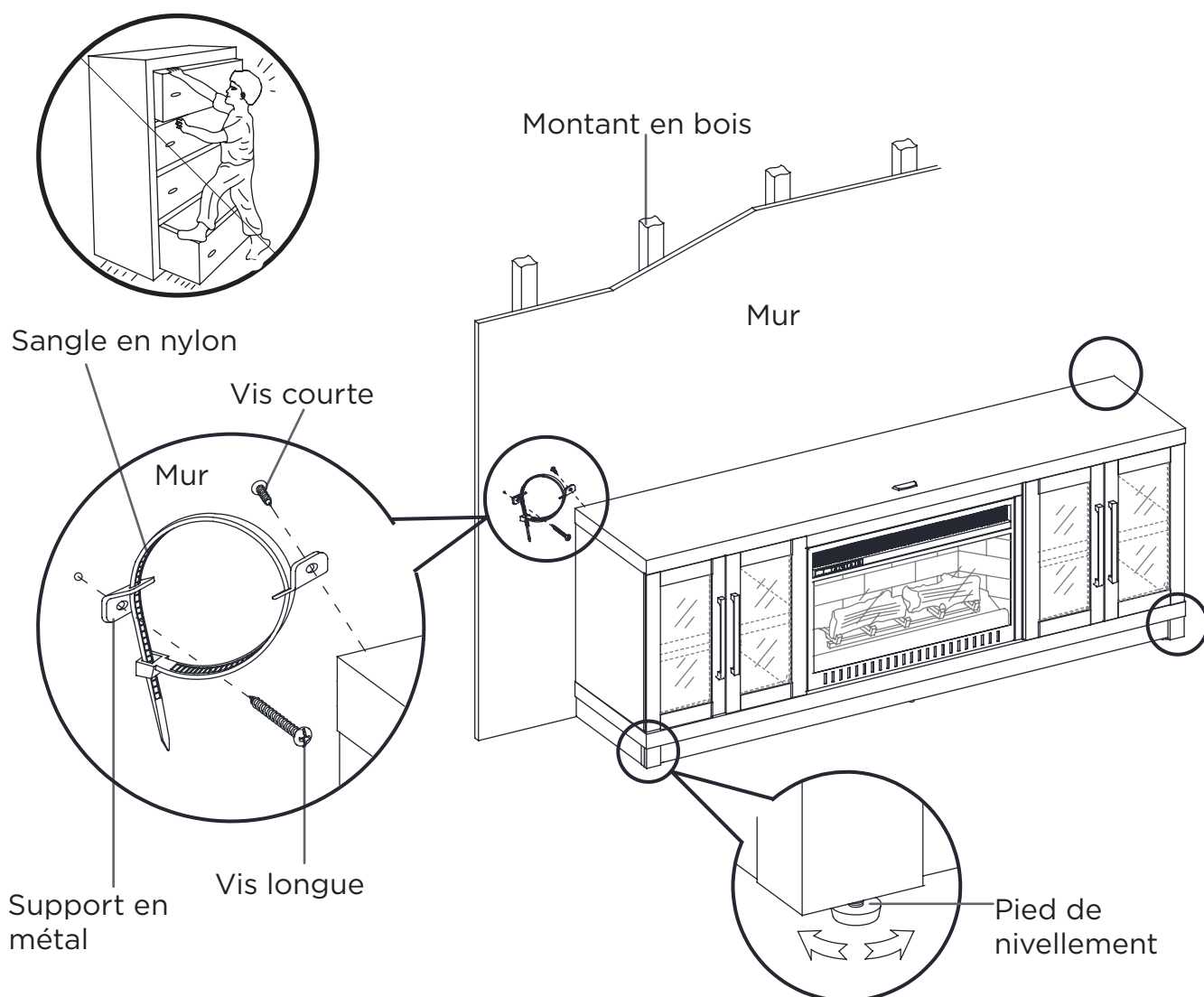
T x2



Placez le foyer assemblé à l'endroit souhaité contre un mur. Si nécessaire, ajustez à la main les pieds de nivellement installés à l'avant du foyer pour corriger l'inclinaison.

Suivez les instructions imprimées sur le sac en plastique contenant le matériel de retenue de basculement pour fixer le matériel de retenue antibasculement **T** au foyer et au mur.

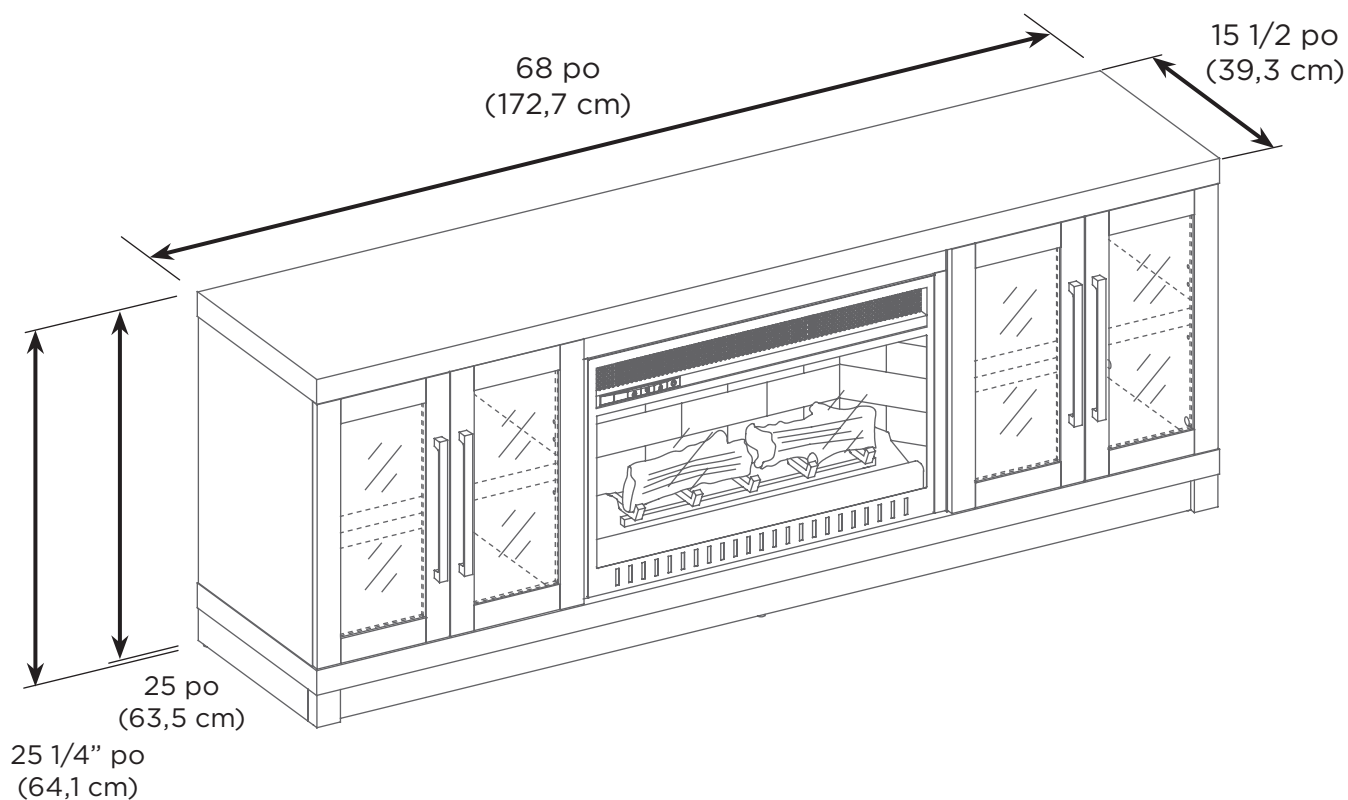
Branchez le foyer à une prise dédiée et correctement mise à la terre.



DONNÉES TECHNIQUES



AVERTISSEMENT! Pour une utilisation avec des téléviseurs pesant 135 lb (61,2 kg) ou moins. L'utilisation avec des téléviseurs plus lourds peut causer de l'instabilité ou des basculements qui peuvent être dangereux et causer des blessures graves.



FICHE TECHNIQUE

DIMENSION DE L'ARTICLE (Larg. x P. x H.)

68 x 15 1/2 x 25 po

172,7 x 39,3 x 63,5 cm

POIDS DE L'ARTICLE

132 lb 11 oz

60,2 kg

CAPACITÉ DE POIDS MAXIMALE POUR LE PANNEAU SUPÉRIEUR

135 lb

61,2 kg

CAPACITÉ DE POIDS MAXIMALE PAR TABLETTE

50 lb

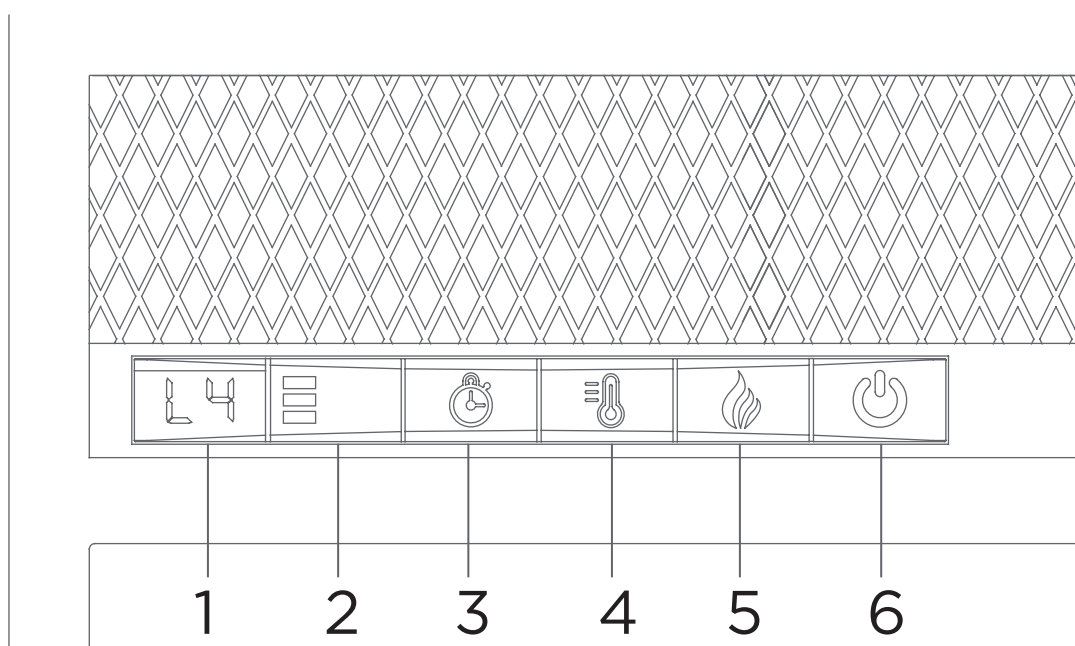
22,7 kg

PANNEAU DE COMMANDE

Le panneau de commande est situé dans le coin supérieur gauche du foyer/appareil de chauffage.

Le panneau de commande comprend l'afficheur (1), l'indicateur de fonction (2), la fonction de minuterie (3), la commande de chauffage (4), la commande d'effet de flamme (5) et l'interrupteur d'alimentation (6).

L'afficheur (1) affiche des informations sur le niveau d'effet de flamme, la minuterie et la température actuelle.

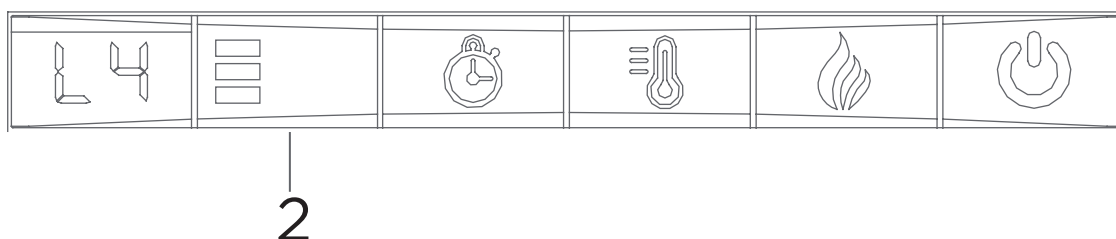


Comprendre l'indicateur de fonction

L'indicateur de fonction (2) possède trois voyants DEL carrés : rouge, vert et bleu.

- Le **VOYANT DEL ROUGE** indique que la fonction de chauffage de la température en Fahrenheit fonctionne.
- Le **VOYANT DEL VERT** indique que la fonction de chauffage de la température en Celsius fonctionne.
- Le **VOYANT DEL BLEU** indique que la fonction de minuterie est engagée.

À droite des trois voyants DEL se trouve le module récepteur infrarouge qui communique avec la télécommande pour commander le foyer.



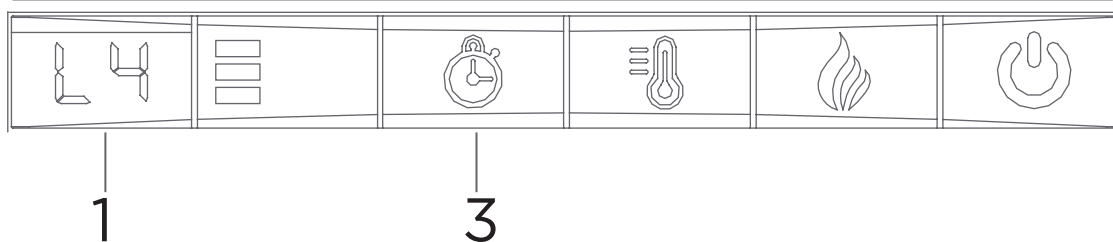
Utilisation de la fonction de minuterie

Le bouton de la minuterie (3) vous permet de régler la durée de fonctionnement du foyer.

Le bouton de minuterie (3) active à la fois l'effet des flammes et la fonction de chauffage. Si le foyer fonctionne lorsque la minuterie est réglée, alors la durée de fonctionnement du foyer est contrôlée par la minuterie. Si l'effet de flamme est activé, la minuterie contrôle les flammes. Si le foyer et l'effet de flamme fonctionnent à la fois lorsque la minuterie est réglée, la minuterie contrôle à la fois l'effet de flamme et le foyer.

Appuyez sur le bouton dans l'ordre pour régler la minuterie pour un intervalle défini. Cette période d'intervalle est indiquée sur l'afficheur (1) et le voyant DEL bleu s'allume pour indiquer que la fonction de minuterie est engagée. Les intervalles définis sont affichés dans ce tableau. La minuterie démarre après avoir sélectionné votre intervalle préféré et relâché le bouton; notez que l'afficheur et la lumière bleue s'éteindront après quelques secondes. Il n'y a pas de fonction d'horloge pour allumer ou éteindre le foyer ou l'effet de flamme à une heure précise.

Appuis sur bouton	Intervalle de minuterie	Affichage
1er appui	30 minutes	30
2e appui	1 heure	1h
3e appui	2 heures	2h
4e appui	3 heures	3h
5e appui	4 heures	4h
6e appui	5 heures	5h
7e appui	6 heures	6h
8e appui	ARRÊT	Aucun



Utilisation de la commande de chauffage

En appuyant sur le bouton du chauffage (4), allumez ou éteignez le feu et réglez la température au thermostat. Si vous éteignez le foyer à l'aide du bouton d'alimentation principal (6), l'appareil conservera votre réglage de température préféré dans la mémoire. Une fois l'alimentation en courant rétablie, le foyer s'allume au même réglage. Il n'y a pas de réglage de vitesse pour le ventilateur du foyer.

Pour convertir de Fahrenheit à Celsius : une fois le foyer allumé, appuyez brièvement sur le bouton du chauffage (4) pour que l'afficheur (1) et l'indicateur de fonction à DEL (2) s'allument (s'ils ne sont pas déjà allumés). Appuyez ensuite doucement sur le bouton interrupteur d'alimentation (6) pendant cinq secondes pour passer en mode de conversion de température. Le voyant DEL clignote cinq fois en rouge, puis passe au vert. Le voyant vert indique le mode Celsius et le voyant rouge indique le mode Fahrenheit. Dans ce mode de conversion, l'affichage (1) clignote. Répétez le même processus pour convertir la température Celsius en température Fahrenheit.

CONSIGNES D'UTILISATION

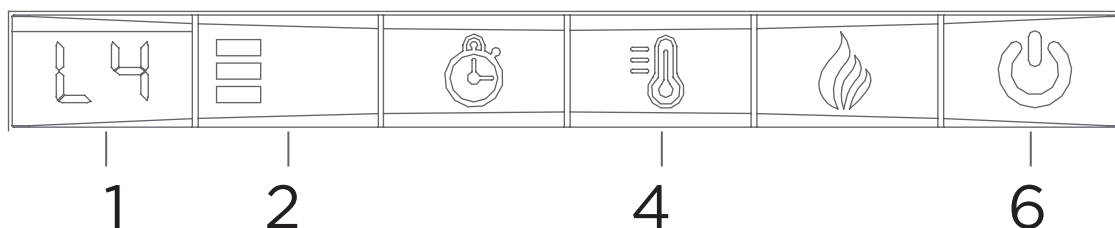
Pour régler la température du thermostat : Appuyez plusieurs fois sur le bouton de chauffage pour parcourir les réglages de température, à partir de 82 °F jusqu'à 62 °F, puis toujours sur OFF (arrêt) ou toujours sur ON (marche). (27 °C à 17 °C - ARRÊT - MARCHE). Après avoir relâché le bouton de commande de chauffage, votre réglage préféré clignote. Une fois qu'il cesse de clignoter et que l'écran devient sombre, le thermostat sera réglé selon vos préférences (et conservé en mémoire). Notez que le réglage « ON » (marche) maintient le foyer en état Toujours allumé jusqu'à ce que l'utilisateur éteigne l'appareil ou que le capteur de sécurité éteigne le foyer pour éviter la surchauffe.

Pour éteindre le foyer tout en gardant les flammes allumées : appuyez sur le bouton du chauffage jusqu'à ce que vous voyiez OFF (arrêt) à l'écran du panneau de commande (1). Cela indique que le foyer est « ÉTEINT ». Les réglages de la flamme et d'autres caractéristiques continuent de fonctionner normalement.

Verrouillage du foyer (fonction de sécurité) : Pour verrouiller la fonction de chauffage en position d'arrêt, avec l'interrupteur d'alimentation sur marche, appuyez sur le bouton de commande de chauffage (4) pendant dix secondes. Les lumières de bûche clignotent plusieurs fois pour indiquer que la fonction de chauffage est verrouillée. Dans ce mode, il n'y a pas de fonction de chauffage mais uniquement des bûches allumées et un fonctionnement normal d'effet de flamme.

Pour déverrouiller la fonction de chauffage, appuyez sur le bouton de commande de chauffage (4) pendant dix secondes. Les lumières de bûche clignotent plusieurs fois pour indiquer que le mode de fonction de chauffage normal est activé.

REMARQUE : Après l'arrêt de la fonction de chauffage ou de l'alimentation, le ventilateur continuera de fonctionner pendant plusieurs minutes pour refroidir les composants internes.



Utilisation de la fonction de minuterie

Appuyez sur le bouton de commande d'effet de flamme (5) pour régler les flammes pour différents niveaux de luminosité de la flamme. Ces niveaux d'effet de flamme sont indiqués sur l'afficheur (1). Les réglages d'effet de flamme sont les suivants :

Appuis sur bouton	Niveau d'effet de flamme	Valeur d'affichage	Apparence du foyer
1er appui	Haut	L4	Flammes hautes, bûches de luminosité élevée
2e appui	Moyenne	L3	Flammes moyennes, bûches de luminosité moyenne
3e appui	Basse	L2	Flammes basses, bûches de faible luminosité
4e appui	Flammes éteintes	L1	Flammes éteintes, bûches de luminosité élevée
5e appui	Éteint	Aucun	Flammes éteintes, bûches éteintes

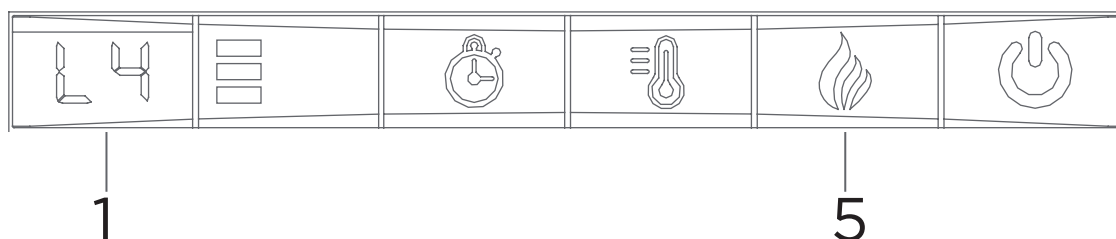
Quel que soit le réglage de flamme précédent, une fois éteintes par le bouton interrupteur d'alimentation, les flammes s'allument en mode L4 (Élevé) lorsque vous allumez le foyer.

CONSIGNES D'UTILISATION

Mode de bûches de faible luminosité : Pour verrouiller la fonction de flamme en position d'arrêt, avec les flammes en mode L4, appuyez sur le bouton de commande d'effet de flamme (5) pendant cinq secondes. Les lumières de bûche clignotent plusieurs fois pour indiquer que la fonction de flamme est verrouillée. Dans ce mode, il n'y a pas de flammes mais uniquement des bûches lumineuses. Appuyez sur le bouton de flamme dans l'ordre pour régler la luminosité des bûches pour différents niveaux de luminosité. Ces niveaux de luminosité des bûches sont indiqués sur l'afficheur (1). Les réglages des bûches sont les suivants :

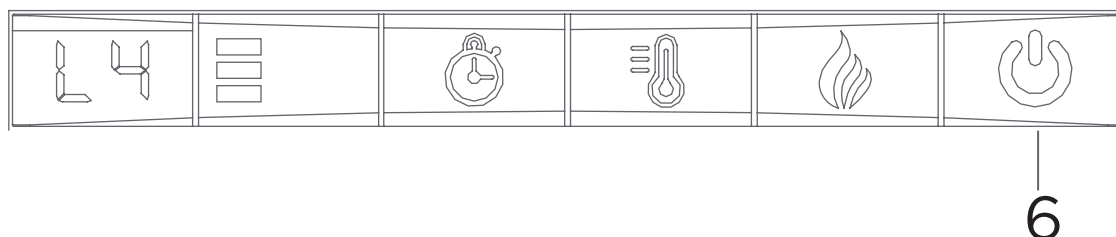
Appuis sur bouton	Niveau d'effet de flamme	Valeur d'affichage	Apparence du foyer
1er appui	Flammes éteintes	L4	Luminosité élevée des bûches
2e appui	Flammes éteintes	L3	Luminosité moyenne des bûches
3e appui	Flammes éteintes	L2	Luminosité faible des bûches
4e appui	Flammes éteintes	L1	Luminosité élevée des bûches
5e appui	Éteint	Aucune	Bûches éteintes

Pour déverrouiller la fonction de flamme, appuyez sur le bouton de flamme (5) pendant cinq secondes. Les lumières des bûches clignotent plusieurs fois, puis les lumières de flamme et les lumières des bûches s'allument.



Utilisation du bouton d'alimentation principal

Appuyez sur le bouton interrupteur (6) pour allumer et éteindre le foyer/l'appareil de chauffage. Appuyez une fois sur le bouton interrupteur (6) pour allumer l'appareil. Appuyez à nouveau pour éteindre l'appareil.

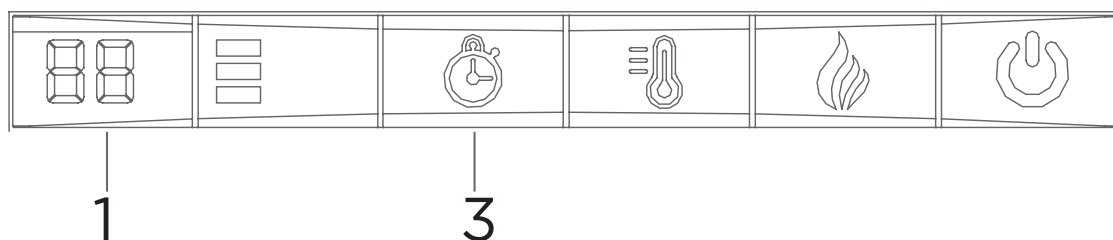


CONSIGNES D'UTILISATION

Utilisation du mode démo

Pour une utilisation dans un magasin de détail.

Pour activer le mode démo, appuyez sur le bouton de la minuterie (3) pendant 10 secondes jusqu'à ce que l'afficheur (1) indique «00». Le mode démo désactive le foyer et tous les boutons du panneau de commande avant, sauf le bouton de commande de la flamme. Pour désactiver le mode démo, appuyez sur le bouton de la minuterie (3) pendant 10 secondes jusqu'à ce que l'afficheur (1) indique «L4». Ce foyer est livré avec le mode démo désactivé pour une utilisation normale par le client.



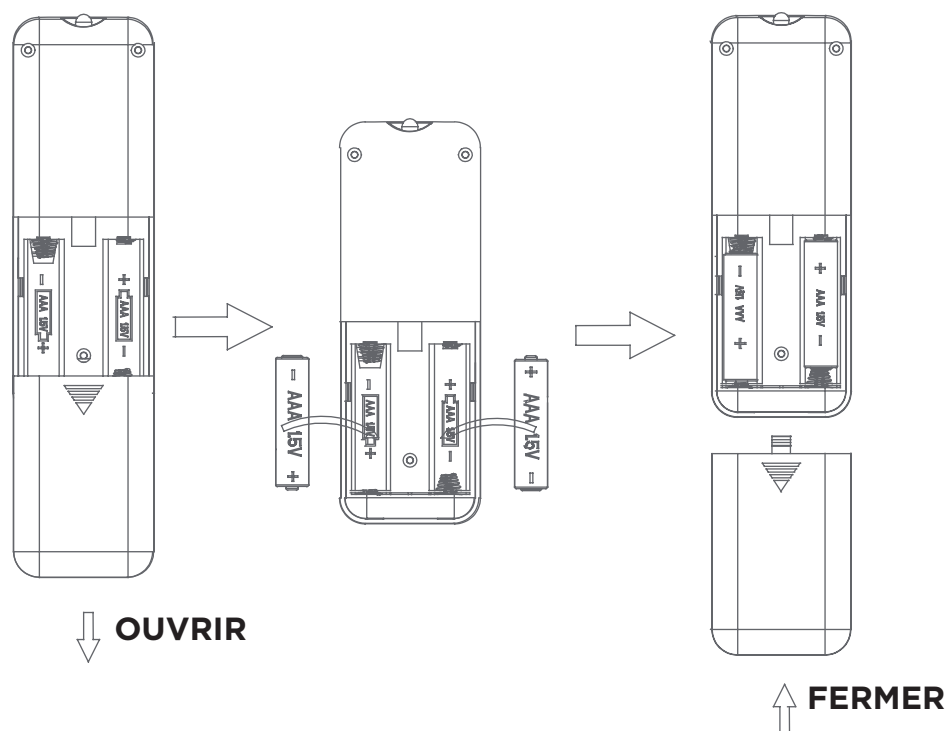
UTILISATION DE LA TÉLÉCOMMANDE

Installation des piles

Lors du remplacement des piles, utilisez des piles AAA.

1. Appuyez et faites glisser le couvercle vers l'arrière pour le retirer du compartiment à piles.
2. Insérez deux piles AAA fournies dans le compartiment à piles en vous assurant que les extrémités des piles avec les symboles négatifs (-) sont contre les ressorts du compartiment à piles
3. Remettez le couvercle du compartiment à piles en place en vous assurant qu'il s'enclenche.
4. Retournez la télécommande et pointez-la vers le foyer/appareil de chauffage.
5. Appuyez sur le bouton d'alimentation en haut côté gauche et voyez si les flammes du foyer s'allument ou s'éteignent.
6. Si rien ne semble se produire, vérifiez que les piles sont correctement installées et réessayez.

CONSIGNES D'UTILISATION



AVERTISSEMENTS DE SÉCURITÉ CONCERNANT LES PILES

REMARQUE: Ne mélangez pas des piles neuves avec des piles usagées. Ne mélangez pas des piles alcalines, standard (carbone-zinc) ou rechargeables (NiCad, NiMH, etc.).

AVERTISSEMENT : N'avalez pas de piles.

- Les piles non rechargeables ne doivent pas être rechargées.
- Assurez-vous que la polarité des piles installées est correcte.
- Une pile épuisée doit être retirée de la télécommande.
- Achetez toujours des piles de taille et de qualité les plus adaptées à l'utilisation prévue.
- Remplacez toutes les piles en même temps.
- Nettoyez les contacts de la pile ainsi que ceux de l'appareil avant d'installer la pile.
- Retirez les piles de la télécommande si l'équipement n'est pas utilisé pendant une période prolongée.

Remplacement des piles de la télécommande

Lorsque la télécommande cesse de fonctionner ou que sa portée semble réduite, il est temps de remplacer la pile.

Remarque : Les piles doivent être retirées si le produit va rester inutilisé pendant une longue période.

ATTENTION : Les piles non rechargeables ne doivent pas être rechargées. Les piles épuisées doivent être retirées du produit.

CONSIGNES D'UTILISATION

1. Le compartiment à piles est situé à l'arrière de la télécommande.
2. Appuyez sur la petite languette vers l'intérieur tout en ouvrant le couvercle du compartiment à piles et retirez les piles épuisées.
3. Insérez deux nouvelles piles AAA (non incluses), en respectant les polarités des piles à l'intérieur du compartiment à piles.
4. Réinsérez le couvercle du compartiment à piles.

ÉLIMINATION DES PILES USAGÉES

Une pile peut contenir des substances dangereuses qui pourraient être dangereuses pour l'environnement et la santé humaine.

Ce symbole inscrit sur la pile ou l'emballage indique que la pile usagée ne doit pas être traitée comme un déchet municipal. Au lieu de cela, il doit être laissé à un centre de collecte prévu pour le recyclage.

En vous assurant que la pile usagée est éliminée correctement, vous contribuerez à prévenir les conséquences négatives potentielles pour l'environnement et la santé humaine. Le recyclage des matériaux contribuera à conserver les ressources naturelles.

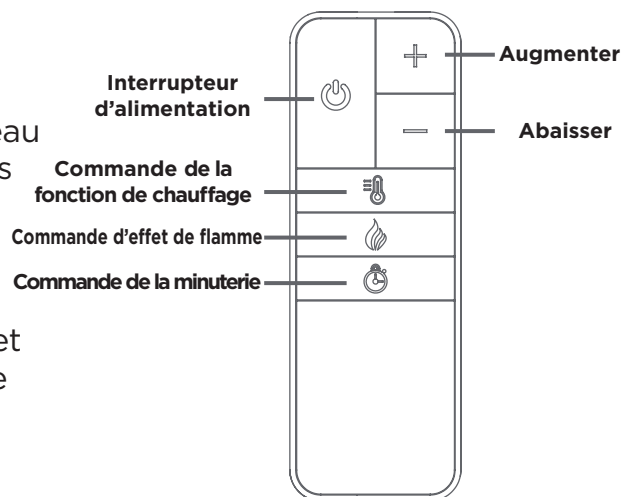
Pour de plus amples renseignements sur la collecte et le recyclage des piles usagées, veuillez contacter votre municipalité locale, votre service d'élimination des déchets ou le lieu de vente où vous avez acheté cet article.



Utilisation de la télécommande

Les boutons de la télécommande fonctionnent de la même manière que les boutons du panneau avant du foyer. Consultez la section Instructions d'utilisation pour plus d'informations sur la fonctionnalité de ces boutons.

REMARQUE : La télécommande ne peut pas verrouiller/déverrouiller la fonction de flamme et de chauffage, et elle ne peut pas changer entre Fahrenheit et Celsius.



CONSIGNES D'UTILISATION

- Assurez-vous que l'appareil est éteint, débranché et que les éléments chauffants sont froids lorsque vous nettoyez le foyer.
- Nettoyez la garniture métallique à l'aide d'un chiffon doux, propre et humide. N'UTILISEZ PAS de poli pour laiton ou de nettoyeurs ménagers, car ces produits endommageront la garniture métallique.
- Les moteurs utilisés pour l'ensemble de ventilateur et de générateur de flammes sont pré-lubrifiés pour prolonger la durée de vie des roulements et ne nécessitent aucune lubrification supplémentaire. Toutefois, un nettoyage ou une aspiration périodique du ventilateur et des éléments de chauffage et des événements d'entrée/de sortie d'air est recommandé.
- Tout autre entretien doit être effectué par un représentant de service autorisé.



AVERTISSEMENT :

Assurez-vous que l'alimentation est débranchée avant de commencer. Toute réparation électrique ou tout recâblage électrique de l'appareil doit être effectué par un électricien agréé, conformément aux codes nationaux et locaux.



AVERTISSEMENT :

En cas de réparation ou de remplacement d'un câble ou d'un composant électrique, la disposition originale des fils, le code couleur et les emplacements de fixation doivent être respectés.



AVERTISSEMENT :

Tous les câblages doivent être conformes aux codes locaux du bâtiment et aux autres réglementations applicables pour réduire le risque d'incendie, de choc électrique et de blessures corporelle.



AVERTISSEMENT :

N'utilisez pas ce foyer si un élément a été immergé sous l'eau. Appelez immédiatement un technicien qualifié pour qu'il inspecte le foyer et remplace les parties endommagées du système électrique.



AVERTISSEMENT :

Débranchez l'appareil avant de procéder à son entretien ou nettoyage pour réduire le risque d'incendie, de choc électrique ou de blessures corporelles.



AVERTISSEMENT :

Débranchez l'appareil lors de son entretien ou sa révision. Commencez par mettre l'interrupteur d'alimentation principale en position d'arrêt. Débranchez la fiche électrique de la prise murale.

RÉSOLVRE LES PROBLÈMES D'ASSEMBLAGE



**AVANT DE
RETOURNER
VOTRE RÉFÉRENCE**

**VOUS RENCONTREZ DES PROBLÈMES?
LAISSEZ-NOUS VOUS AIDER!**

**NUMÉRO SANS FRAIS :
1 888 670-6684**

Si vous avez des questions concernant votre produit ou avez besoin d'une assistance au titre de la garantie, veuillez appeler notre service d'assistance à la clientèle.



**APPELEZ-NOUS;
NOUS POUVONS
VOUS AIDER**

DÉPANNAGE

PROBLÈME

CAUSE POSSIBLE

MESURE CORRECTIVE

Impossible d'ajuster la température. Pas de chaleur et aucun moyen d'éteindre l'appareil. Seul le bouton de flamme fonctionne correctement.

Le foyer est en mode démo.

Pour désactiver le mode démo, appuyez sur le bouton de la minuterie pendant au moins 10 secondes jusqu'à ce que l'afficheur indique «L4».

Impossible d'éteindre le foyer à l'aide du bouton chauffage.

L'opérateur n'a pas suivi les étapes de l'opération.

Appuyez sur le bouton de chauffage à plusieurs reprises jusqu'à ce que «OFF» soit affiché à l'écran du panneau de commande. Cela indique que le foyer est «ÉTEINT». Dans ce mode, les flammes restent allumées, mais le foyer n'est pas engagé. (Consultez «Utilisation de la commande de chauffage» dans la section FONCTIONNEMENT de ce guide pour plus de détails.)

Le foyer a cessé de chauffer. Il y a des flammes, mais le foyer continue automatiquement de s'éteindre après quelques minutes.

La température de réglage est inférieure à la température ambiante.

Réglez le foyer à une température plus élevée ou au mode de « toujours allumé ». Mettez le foyer en marche, puis appuyez sur le bouton de chauffage pour entrer en mode de réglage de la température. L'affichage DEL commence à clignoter. Appuyez sur le bouton de chauffage à plusieurs reprises jusqu'à ce que vous atteigniez le réglage de température souhaité. (Consultez «Utilisation de la commande de chauffage» dans la section FONCTIONNEMENT de ce guide pour plus de détails.)
REMARQUE : Le réglage de température par défaut de votre thermostat du foyer est de 82 °F (27,8 °C). Si la température de votre pièce est supérieure à 82 °F (27,8 °C), votre foyer s'éteindra, sauf si vous réglez le thermostat de votre foyer à un réglage de température plus élevée. Notez que la température autour du foyer peut être de quelques degrés plus élevée que les autres zones de la pièce.

DÉPANNAGE

PROBLÈME	CAUSE POSSIBLE	MESURE CORRECTIVE
La télécommande ne fonctionne pas.	<p>Les piles sont épuisées. Les boutons ne sont pas enfoncés.</p> <p>La télécommande est trop éloignée ou il y a quelque chose entre la télécommande et le capteur.</p>	<p>Changez les piles de la télécommande. Utilisez la télécommande à un rythme lent et mesuré. Appuyez légèrement sur les boutons de la télécommande avec un mouvement régulier.</p> <p>Appuyer sur les boutons à plusieurs reprises et à rythme rapide peut entraîner un dysfonctionnement de la télécommande. Tenez-vous plus près de votre foyer. Retirez les objets qui pourraient bloquer la capacité de votre télécommande à communiquer avec votre foyer.</p>
Pas de chaleur, et en appuyant sur le bouton de chauffage provoque les bûches à clignoter plusieurs fois.	Votre foyer a été verrouillé (désactivé pour le mode verrouillage enfant).	Pour déverrouiller, appuyez sur le bouton d'alimentation principale, puis appuyez sur le bouton de chauffage pendant au moins 10 secondes, jusqu'à ce que vous voyiez les bûches commencer à clignoter plusieurs fois. Le foyer sera maintenant déverrouillé et peut être allumé en utilisant le fonctionnement normal du bouton de chauffage.
L'appareil ne s'allume pas.	Le circuit est en panne.	Vérifiez que la fiche de l'appareil est entièrement branchée à une prise standard de 120 V.
L'utilisation du foyer avec la fonction de chauffage activé provoque un déclenchement dans le circuit d'alimentation.	Le circuit électrique est surchargé.	Débranchez les autres appareils du même circuit et de la même prise que le foyer. Ne surchargez pas le circuit. Branchez le foyer à une prise de courant correctement mise à la terre avec un cordon plus épais. Remplacez le tableau à fusibles par un pouvant alimenter une charge lourde.
L'afficheur du panneau de commande indique le code d'erreur «EE».	Votre capteur de thermistance est desserré ou coupé.	Ne retournez pas l'article au magasin. Veuillez nous écrire ou nous appeler en composant notre numéro 1 888 670-6684 sans frais pour un foyer de remplacement.
Le foyer s'éteint automatiquement et appuyer sur le bouton du chauffage ne provoque aucune action. D'autres boutons de commande fonctionnent, mais le panneau de commande affiche «88» et l'indicateur de fonction clignote rapidement.	Le foyer s'est éteint comme protocole de sécurité pour éviter la surchauffe (il est en mode alarme).	Débranchez-le immédiatement. Assurez-vous qu'aucun objet ne bloque les bouches d'aération à l'avant, en haut ou à l'arrière de votre foyer. Pour réinitialiser le foyer, débranchez l'appareil de la prise murale pendant 5 minutes et laissez-le refroidir. Après 5 minutes, rebranchez l'appareil à la prise murale et utilisez-le de façon normale.

ENTRETIEN DE VOTRE ARTICLE

- 1 Utilisez un chiffon doux et propre qui ne rayera pas la surface lors de l'époussetage.
- 2 Utilisez un chiffon propre et doux humidifié à l'eau tiède pour nettoyer la surface du foyer. N'utilisez PAS de nettoyants ménagers ou abrasifs, car ces produits peuvent endommager la surface.
- 3 Lors du nettoyage de l'écran de visualisation en verre, utilisez un chiffon humide non abrasif avec un nettoyant liquide ou du savon doux si nécessaire; n'utilisez PAS de poudres de nettoyage ou toute autre substance avec des abrasifs, car ces substances rayeront le verre.
- 4 En aucun cas, ce produit ne doit être utilisé avec un panneau de verre cassé ou ébréché.
- 5 Ne frappez pas et ne claquez pas le verre.
- 6 Dans le cas où votre appareil est taché ou autrement endommagé pendant l'utilisation, nous vous recommandons de faire appel à un professionnel pour le réparer.
- 7 Lorsqu'il n'est pas utilisé, veuillez débrancher le cordon de la prise pour éviter tout dommage ou accident.

RENSEIGNEMENTS SUR LA GARANTIE



GARANTIE LIMITÉE DE 1 AN*

Cet article **CANVAS^{MD}** comprend une garantie de un (1) ans contre les défauts de fabrication et de matériau(x). Distribution Trifeuil consent à remplacer l'article défectueux lorsqu'il est retourné par l'acheteur original, accompagné de la preuve d'achat, au cours de la période de garantie convenue. Exclusion : usure ou bris causés par un usage abusif ou inapproprié.

N° DE MODÈLE : 064-4022-2

Fabriqué au Vietnam

Importé par Trileaf Distribution Trifeuil Toronto, Canada M4S 2B8

CANVAS^{MC}

D'INSPIRATION CANADIENNE

