

SKU # 1001543034

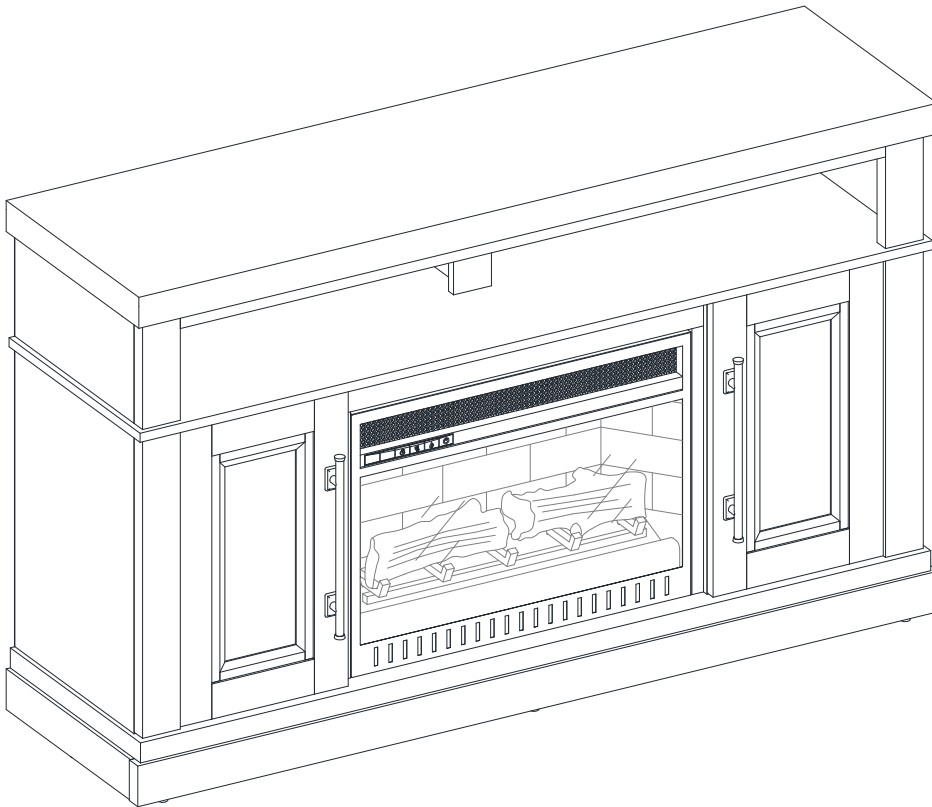
# StyleWell™

Model # HDCFP54-13

## ASSEMBLY INSTRUCTIONS

---

### Bracebridge 54in Media Console Coil Electric Fireplace



**Questions, problems, missing parts?**

**Before returning to the store, call Customer Service**

**8 a.m. - 7 p.m., EST, Monday-Friday, 9 a.m. - 6 p.m., EST, Saturday**

**1-877-527-0313**

**Homedepot.com**

---

**THANK YOU**

***We appreciate the trust and confidence you have placed in StyleWell through the purchase of this electric fireplace/heater. We strive to continually create quality products designed to enhance your home. Visit us online to see our full line of products available for your home improvement needs. Thank you for choosing StyleWell!***

# Table of Contents

Table of Contents.....2  
Safety Information.....2  
Warranty .....2  
Pre-Assembly.....2  
    Planning Assembly.....2

Tools Required .....2  
Hardware Included.....3  
Package Contents .....4  
Assembly.....5  
Care and Maintenance.....20

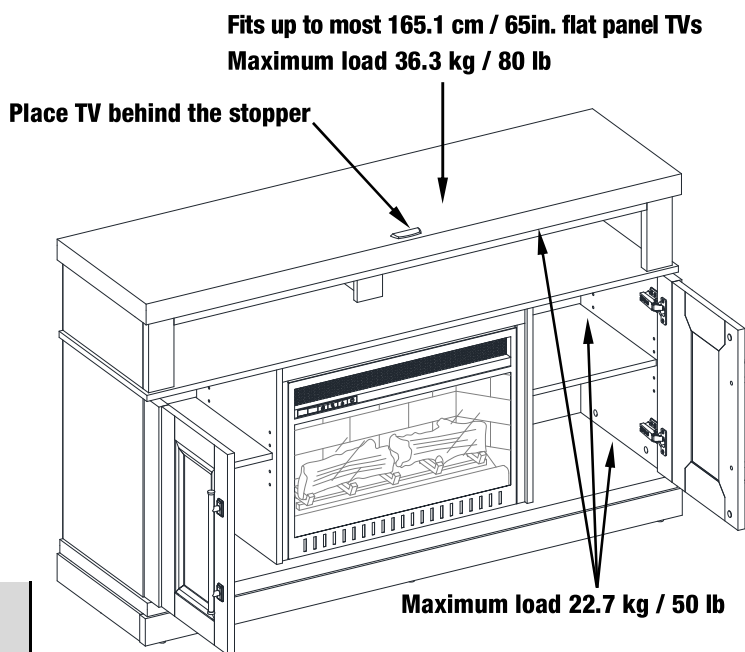
# Safety Information

□ Please read and understand these instructions before assembling and using this console. Save these instructions for future reference.

## MAXIMUM RECOMMENDED WEIGHT LOADS



**WARNING:** This unit is not intended for use with CRT TVs. Use only with flat panel TVs and audio/video equipment meeting recommended size and weight limits. Never use with larger/heavier than recommended flat panel TVs or equipment. To avoid instability, place flat panel TV in the centre of the unit; the base of the television must be able to rest on the supporting surface of the unit without over-hanging the edges. Improperly positioned flat panel TVs, or flat panel TVs or other equipment that exceed recommended size and weight limits could fall off or break the unit, causing possible serious injury.



# Warranty

We are confident that you will be delighted with this purchase. Should this product be defective in workmanship or materials, or fail under normal use, we will repair or replace it for a period of up to one (1) year from date of purchase.

This warranty gives you specific rights and you may also have other rights which vary from state to state.

Contact the Customer Service Team at 1-877-527-0313 or visit [www.HomeDepot.com](http://www.HomeDepot.com)

# Pre-Assembly

## PLANNING ASSEMBLY

Compare all parts with the Hardware Included and Package Contents list. If any part appears missing or damaged, do not assemble this product and contact the Customer Service Team at 1-877-527-0313.

## TOOLS REQUIRED



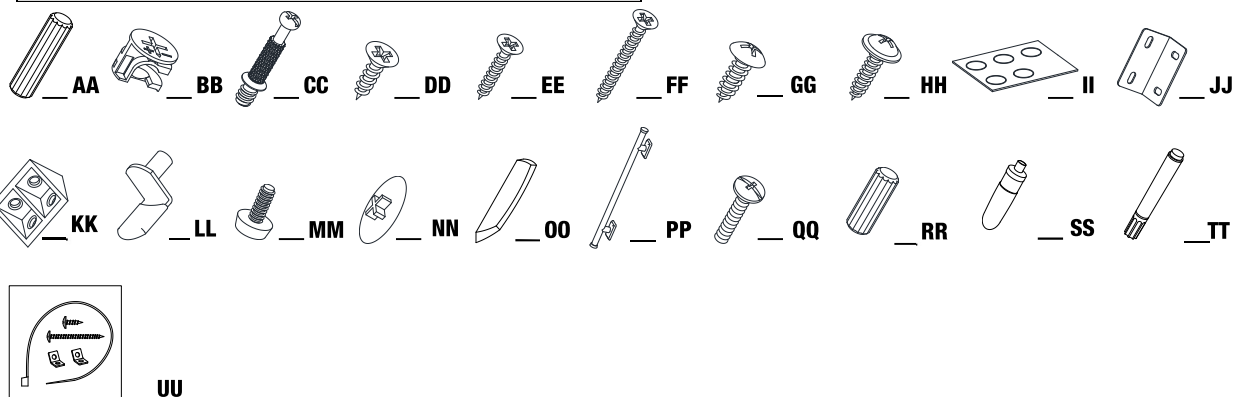
Phillips  
screwdriver  
(not provided)

# Pre-Assembly (continued)

## HARDWARE INCLUDED



NOTE: Hardware not shown to actual size.

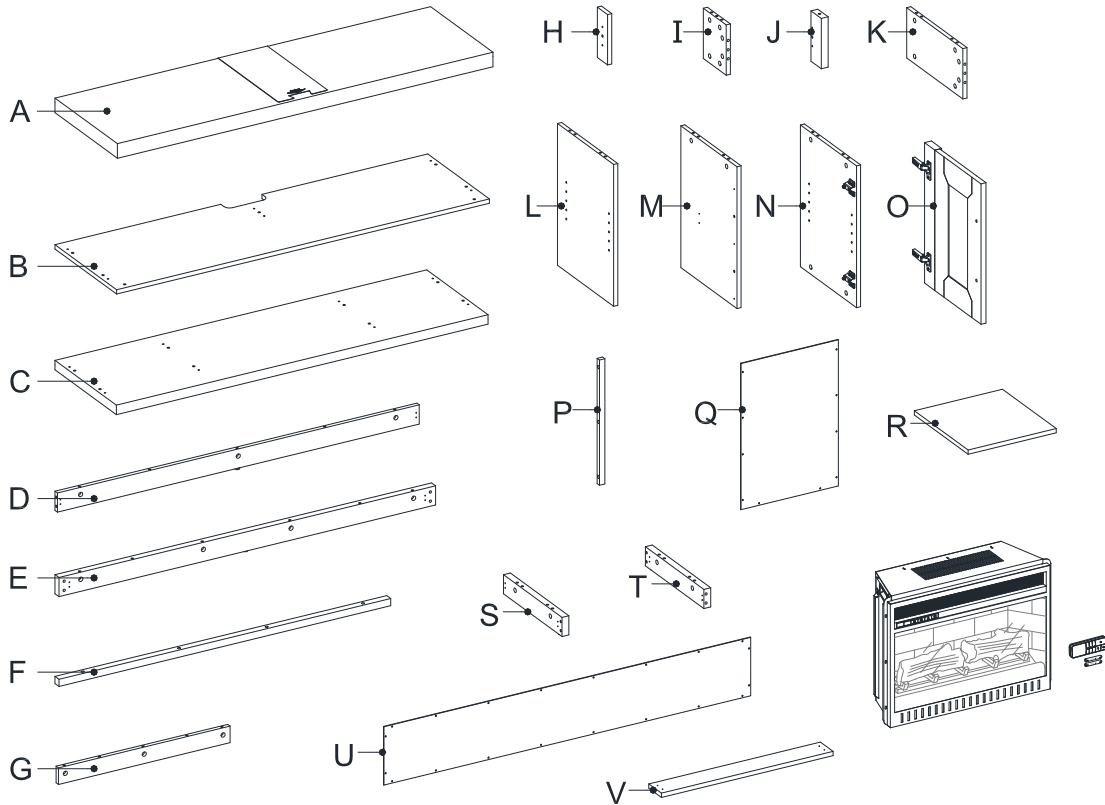


Part	Description	Quantity
AA	Large wood dowel	53+2 extra
BB	Cam lock	44+2 extra
CC	Cam bolt	44+2 extra
DD	Short flat head screw	16+1 extra
EE	Medium flat head screw	10+1 extra
FF	Long flat head screw	4+1 extra
GG	Pan head screw	8+1 extra
HH	Washer head screw	40+2 extra
II	Rubber bumper	4+1 extra
JJ	Metal bracket	2
KK	Plastic bracket	4

Part	Description	Quantity
LL	Shelf support	8+1 extra
MM	Floor leveler	2
NN	Cam lock cover	26+1 extra
OO	Acrylic stopper	1
PP	Handle	2
QQ	Handle bolt	4
RR	Small wood dowel	4+1 extra
SS	Glue	2
TT	Touch-up pen	1
UU	Tipping restraint hardware kit	2

# Pre-Assembly (continued)

## PACKAGE CONTENTS



### Box 1

Part	Description	Quantity
A	Top panel	1
B	Center shelf	1
C	Bottom panel	1
D	Bottom back support	1
E	Bottom front support	1
F	Top front molding	1
G	Middle crossbar	1
H	Upper partition molding	1
I	Upper partition panel	1
J	Upper side panel molding	2
P	Lower middle stile	2
S	Bottom left support	1
T	Bottom right support	1
U	Upper back panel	1
V	Firebox support	1

### Box 2

Part	Description	Quantity
K	Upper side panel	2
L	Lower Left partition panel	1
M	Lower Right partition panel	1
N	Lower side panel	2
O	Door	2
Q	Lower back panel	2
R	Adjustable shelf	2

### Box 3

Part	Description	Quantity
	Fireplace insert	1
	Remote control with battery	1



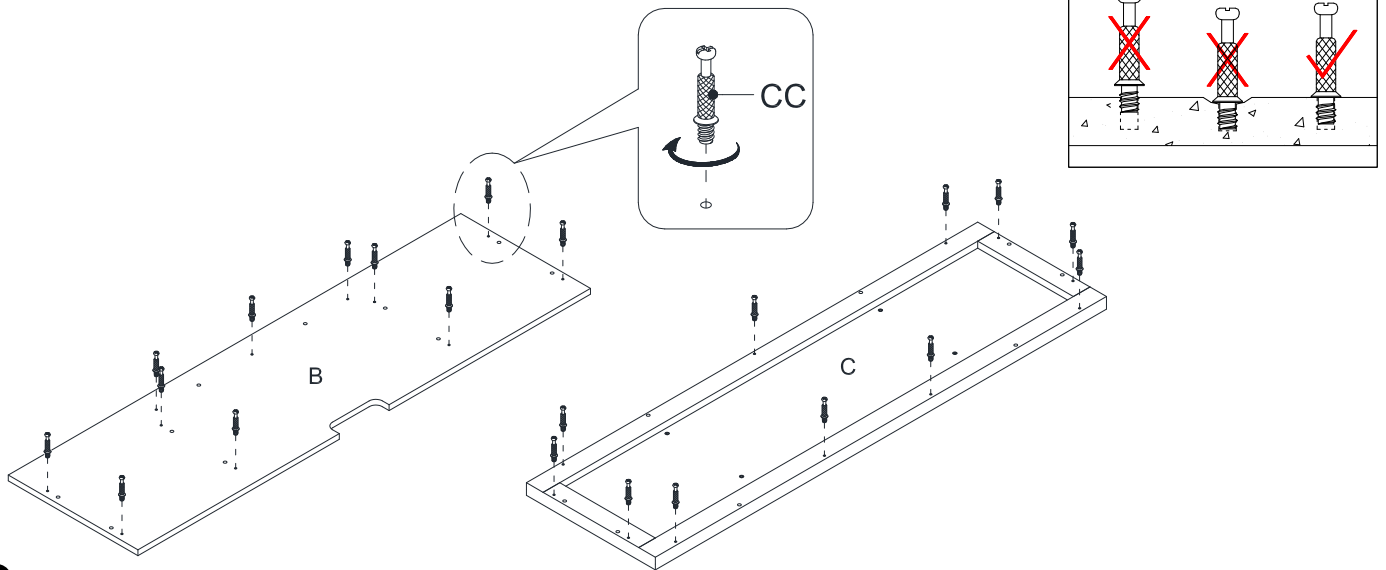
# Assembly

## 1 Screwing the cam bolts



**NOTE:** Do not fully tighten all bolts until you finish assembling all parts. Once assembled, go back and fully tighten all bolts. This will make the assembly easier.

- Unpack the unit and confirm that you have all the hardware and required parts. Assemble the unit on a carpeted floor or the empty carton to avoid any scratches.
- Securely screw the cam bolts (CC) into the designated small holes on the center shelf (B) and bottom side of bottom panel (C) using a Phillips screwdriver. Do Not overtighten the cam bolts.

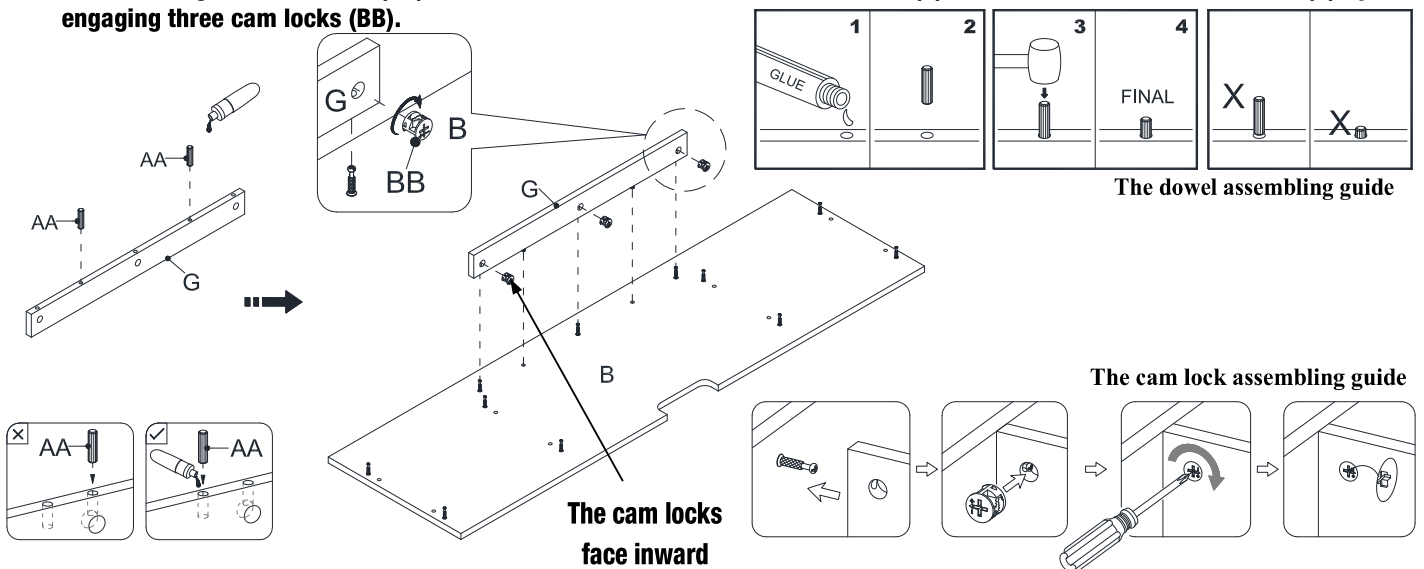


## 2 Attaching the middle crossbar



**NOTE:** Refer to the dowel assembling guide drawings in this step for further clarification on how to properly glue in the wooden dowels and install cam locks. Apply this method whenever instructed to install wood dowels and cam locks.

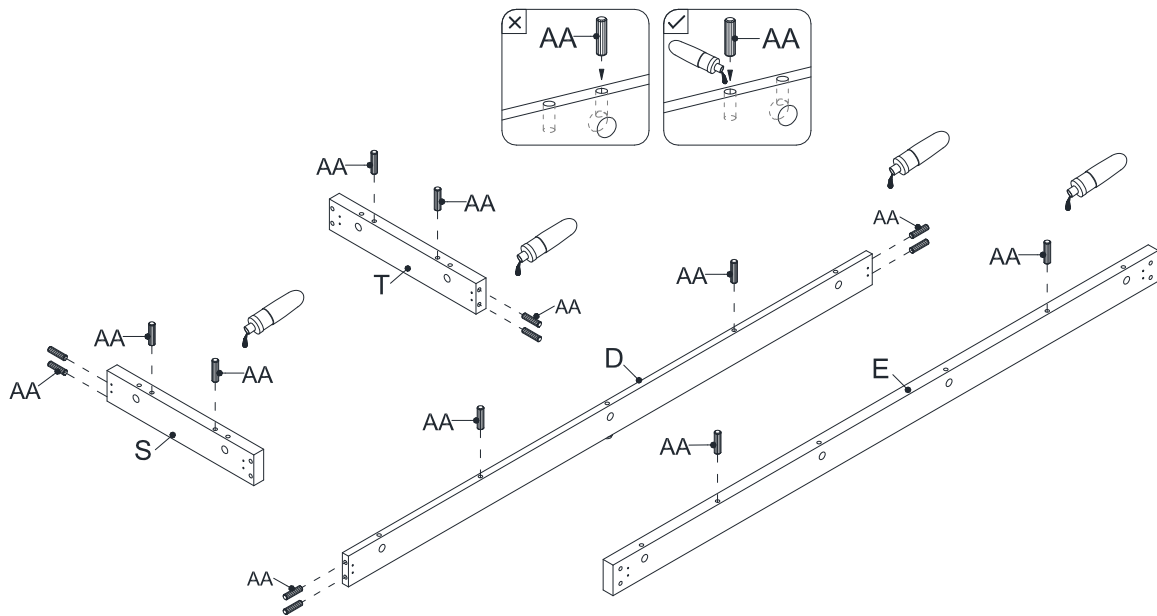
- Glue two large wood dowels (AA) into the inner holes on the middle crossbar (G) and attach it to the center shelf (B) by engaging three cam locks (BB).



## Assembly (continued)

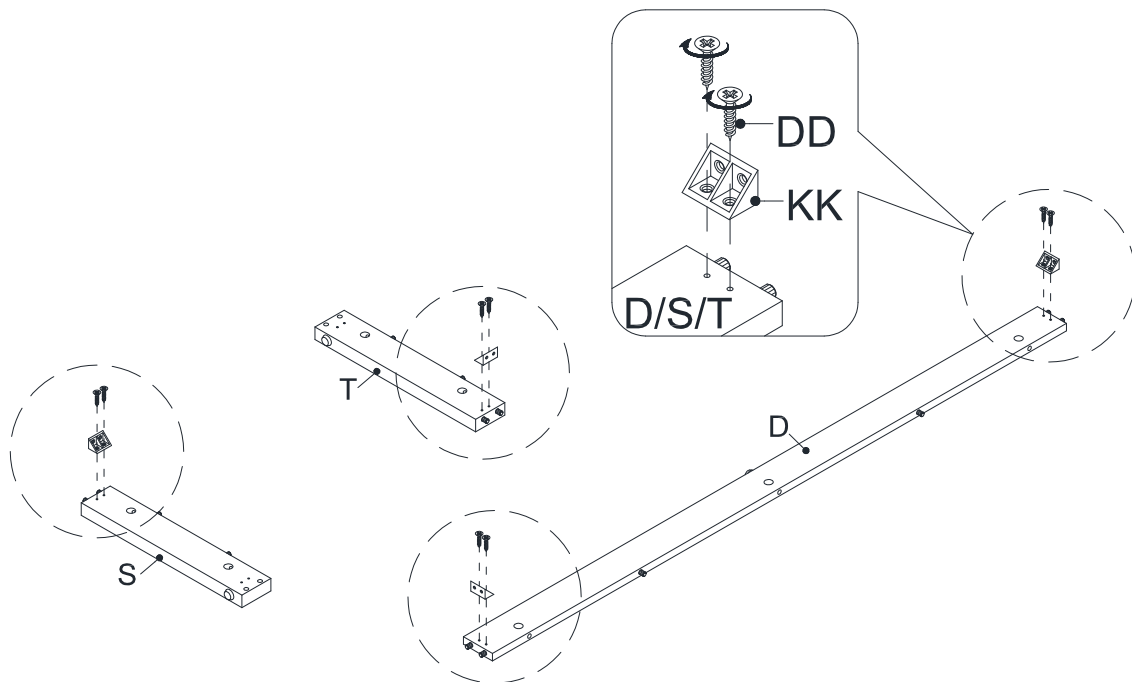
### 3 Gluing the wood dowels

- Glue the large wood dowels (AA) into the inner holes on the bottom supports (D, E, S and T) as shown.



### 4 Installing the plastic brackets

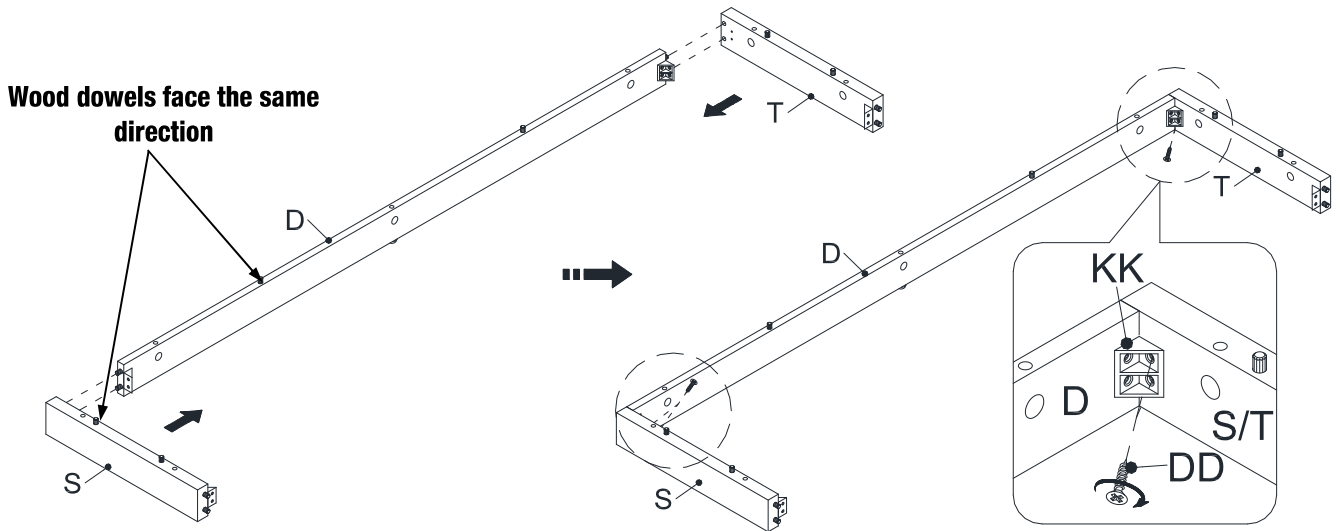
- Using the pilot holes as a guide, fasten one plastic bracket (KK) to the end of each side support (S and T) with two short flat head screws (DD). Make sure that the right angle side is flush with the short end and running against the wood dowels.
- Repeat the same step to fasten two plastic brackets (KK) to the bottom back support (D).



## Assembly (continued)

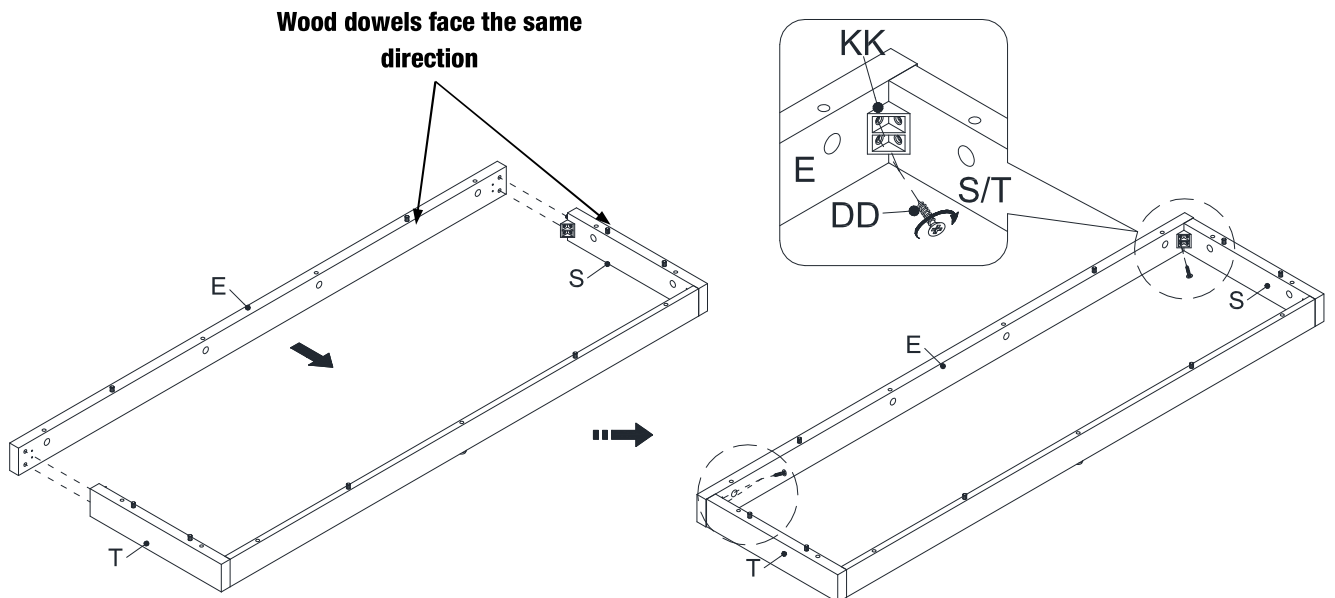
### 5 Attaching the bottom back support

- Attach the bottom back support (D) between the side supports (S and T) and fasten the plastic brackets (KK) into place with four short flat head screws (DD).



### 6 Attaching the bottom front support

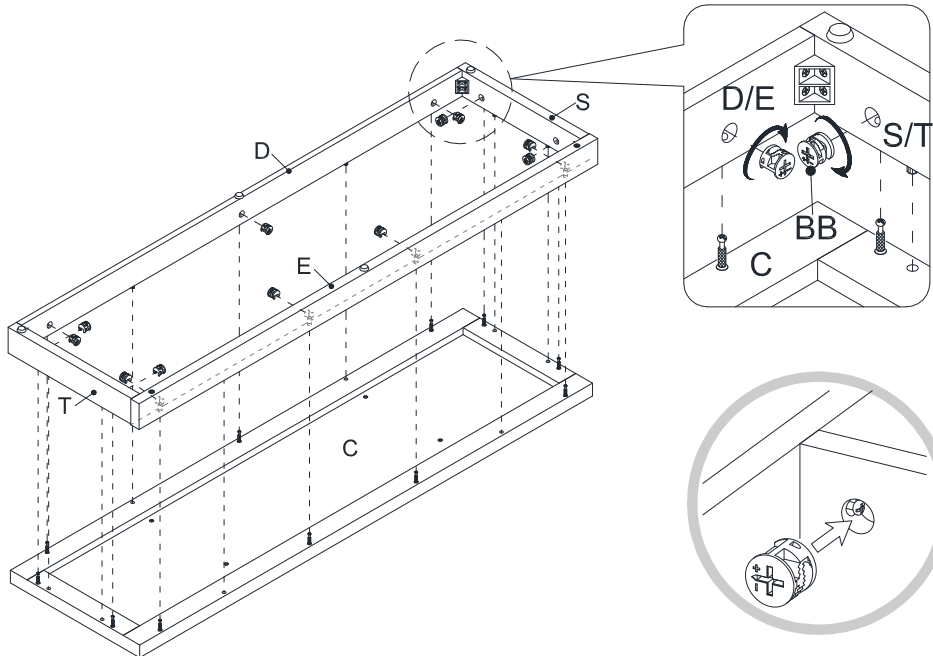
- Press the bottom front support (E) to the bottom side supports (S and T) and fasten it into place with four short flat head screws (DD).



## Assembly (continued)

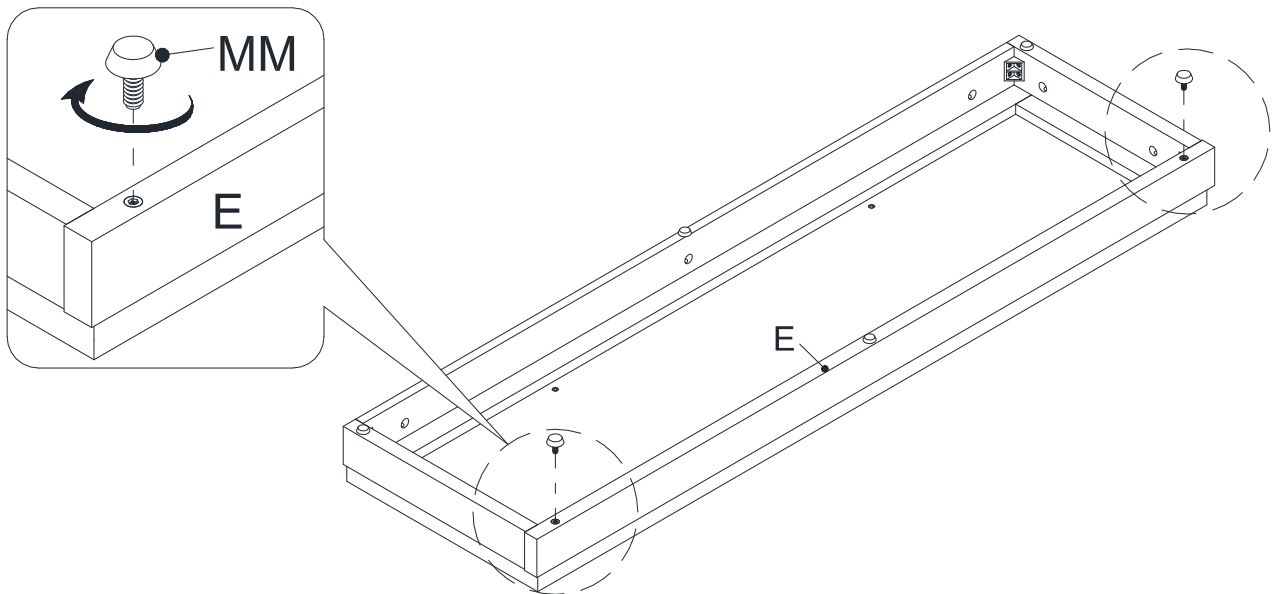
### 7 Attaching the base

- Attach the assembled base to the bottom panel (C) by engaging eleven cam locks (BB).



### 8 Installing the floor levelers

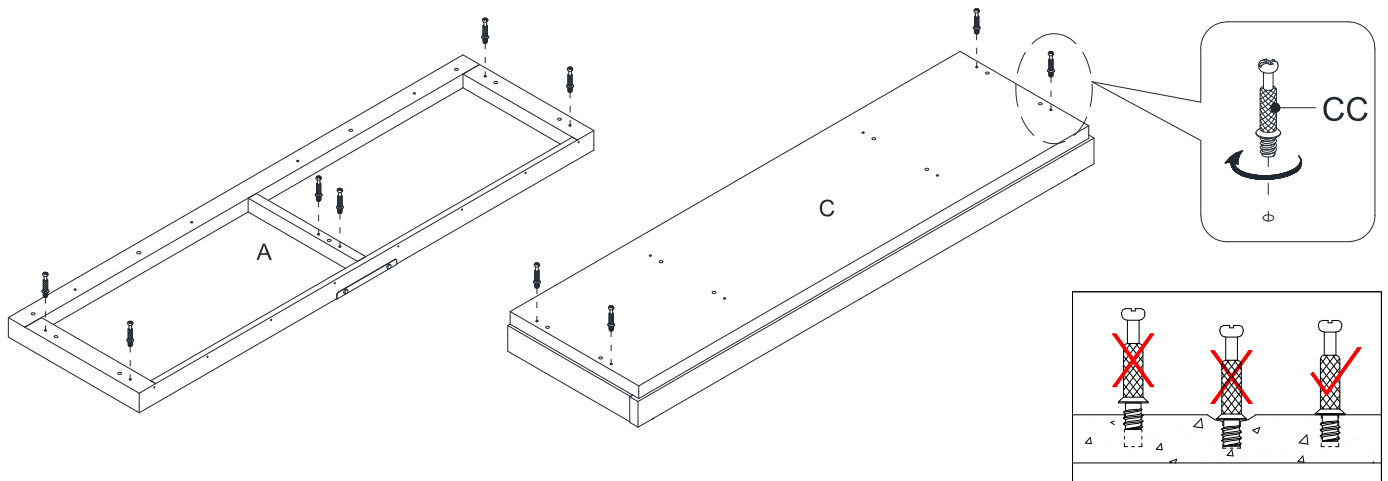
- Screw the floor levelers (MM) into the threaded inserts on the bottom front support (E) and set to the correct height.



## Assembly (continued)

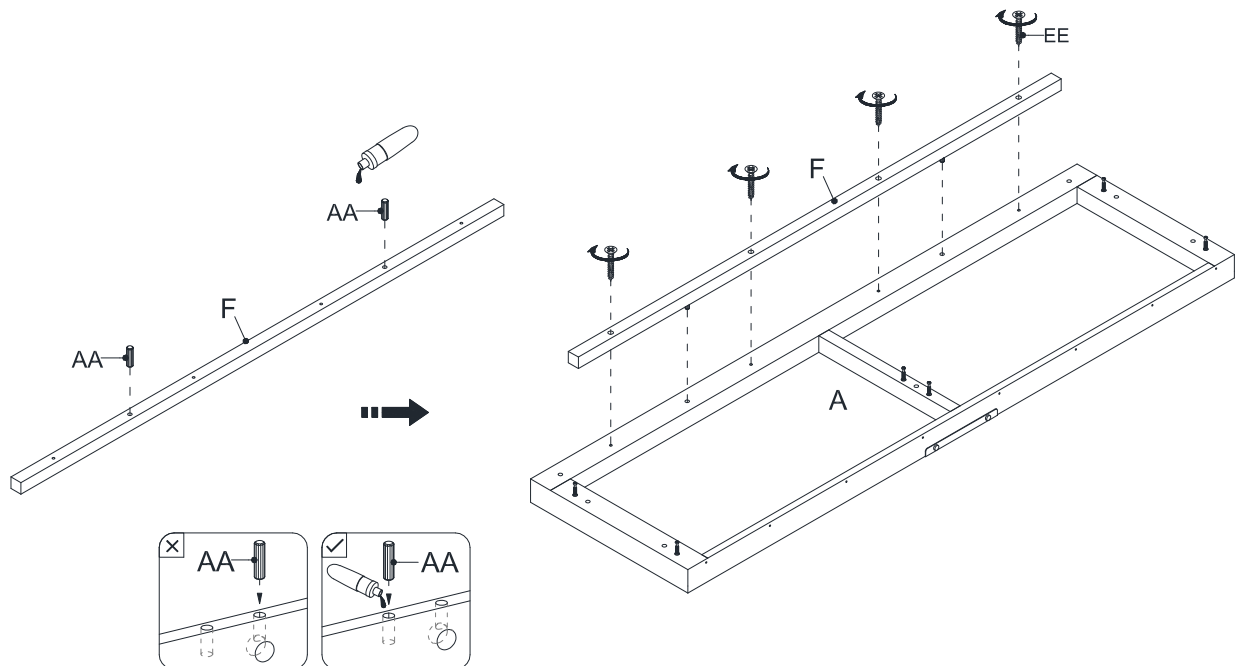
### 9 Screwing the cam bolts

- Securely screw the cam bolts (CC) into the designated small holes on the top panel (A) and top side of bottom panel (C) using a Phillips screwdriver.



### 10 Attaching the top front molding

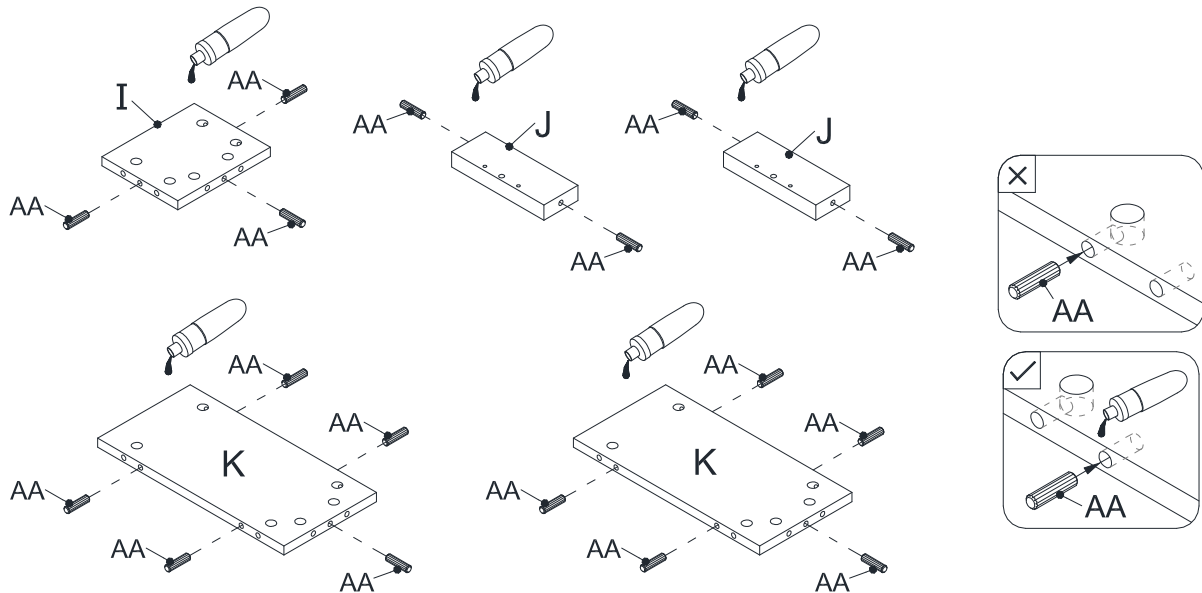
- Glue two large wood dowels (AA) into the inner holes on the top front molding (F) and attach it to the top panel (A) with four medium flat head screws (EE).



## Assembly (continued)

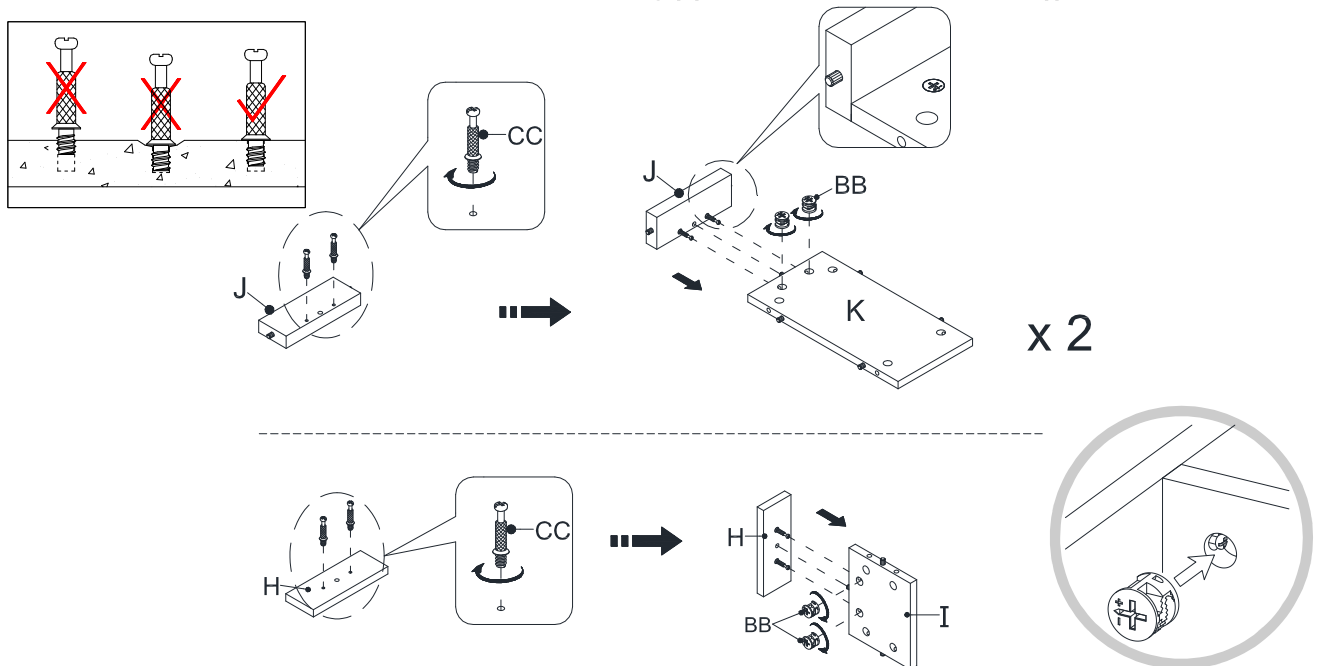
### 11 Gluing the wood dowels

- Glue the large wood dowels (AA) into the inner holes on the upper partition panel (I), upper side panel moldings (J) and upper side panels (K) as shown.



### 12 Attaching the Upper partition molding and side panel moldings

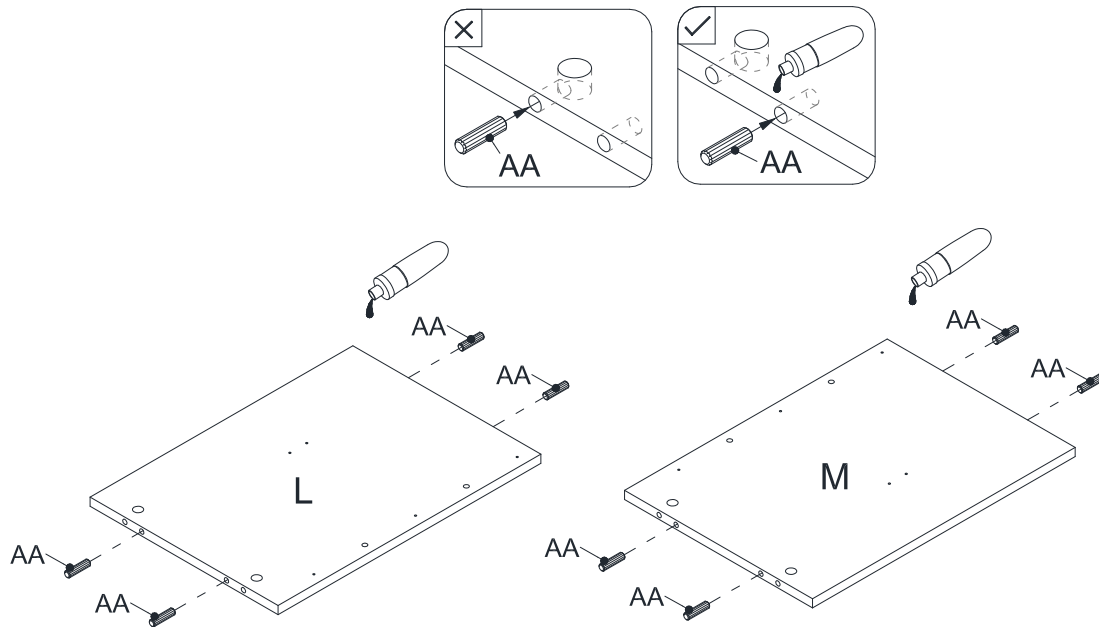
- Securely screw the cam bolts (CC) into the designated small holes on the upper partition molding (H) and upper side panel moldings (J) using a Phillips screwdriver.
- Attach the upper side panel moldings (J) to upper side panels (K) respectively by engaging two cam locks (BB) per molding.
- Repeat the same step to combine the upper partition molding (H) with the upper partition panel (I).



## Assembly (continued)

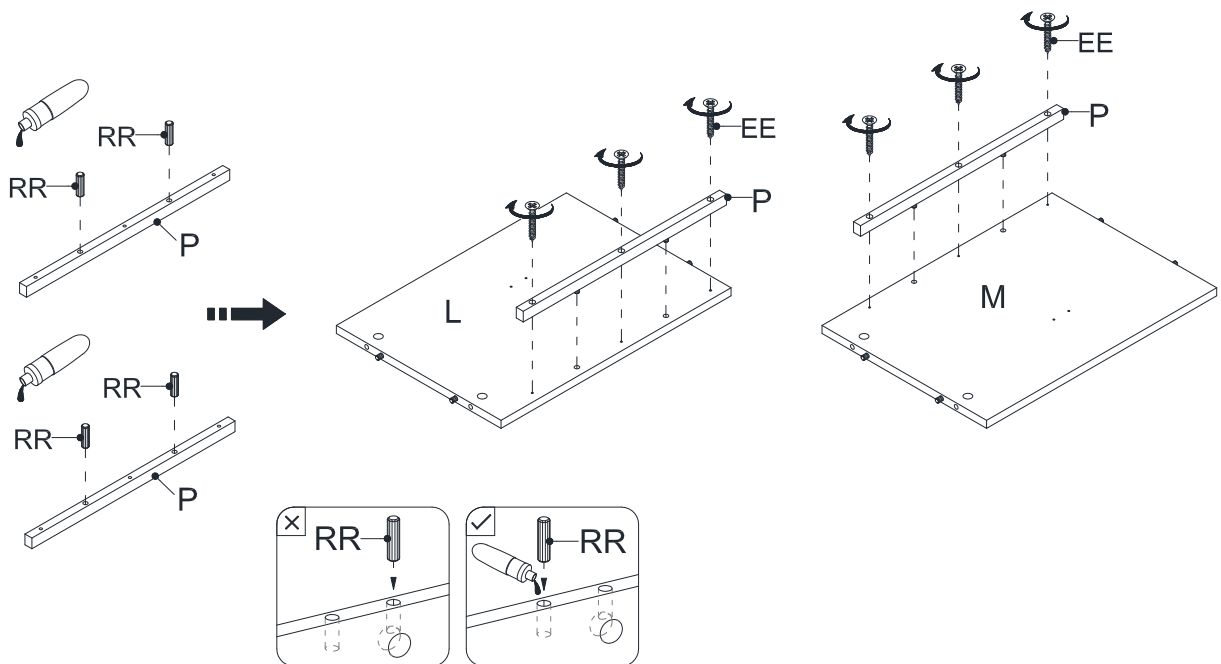
# 13 Gluing the wood dowels

- Glue the large wood dowels (AA) into the inner holes on the lower partition panels (L and M) as shown.



# 14 Attaching the lower middle stiles

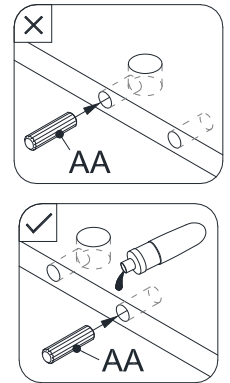
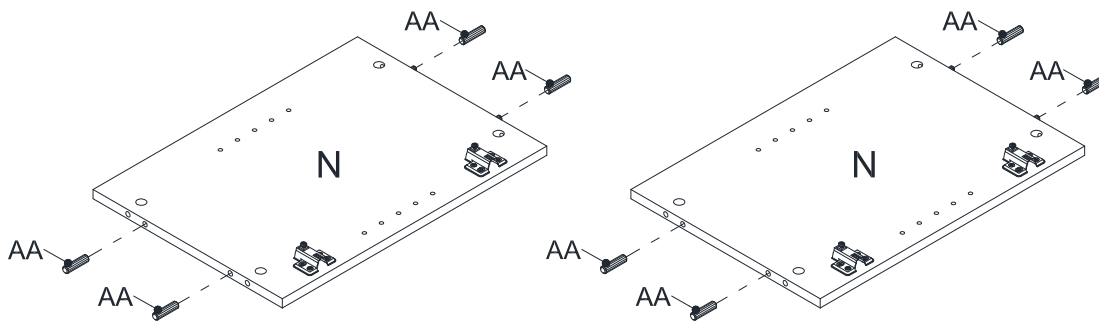
- Glue two small wood dowels (RR) into the inner holes on each lower middle stile (P).
- Attach the lower middle stiles (P) to the lower partition panels (L and M) respectively with three medium flat head screws (EE) per stile.



## Assembly (continued)

# 15 Gluing the wood dowels

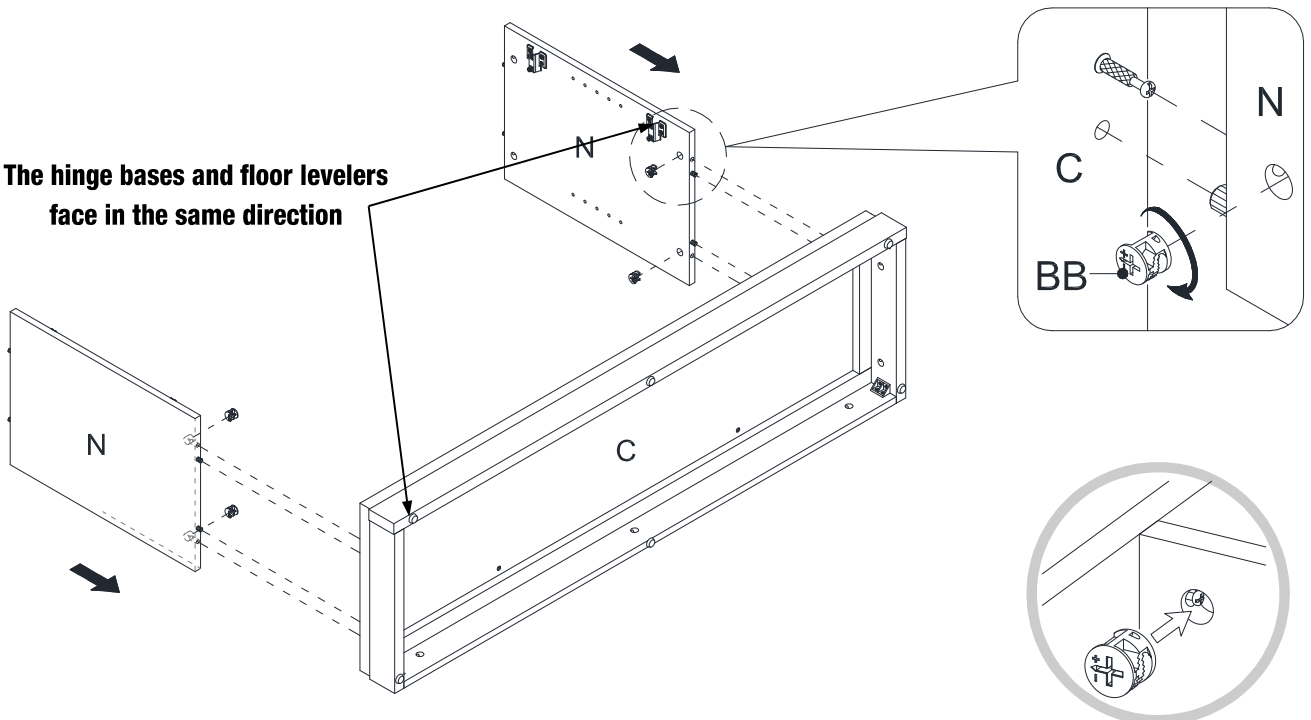
- Glue the large wood dowels (AA) into the inner holes on the lower side panels (N).



# 16 Attaching the lower side panels

- Attach the lower side panels (N) to the bottom panel (C) by engaging four cam locks (BB).

The hinge bases and floor levelers face in the same direction

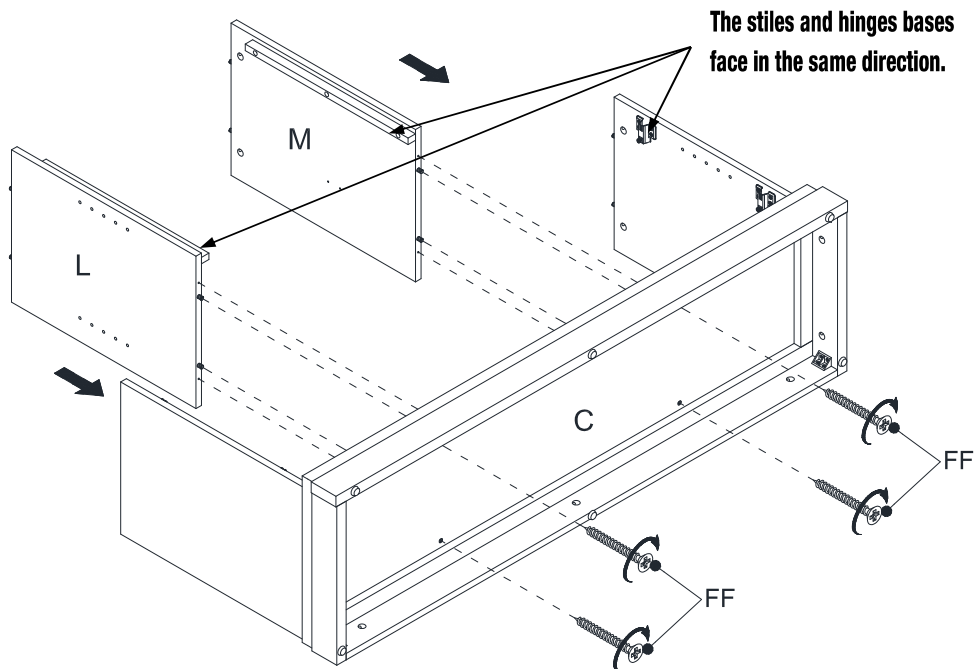




## Assembly (continued)

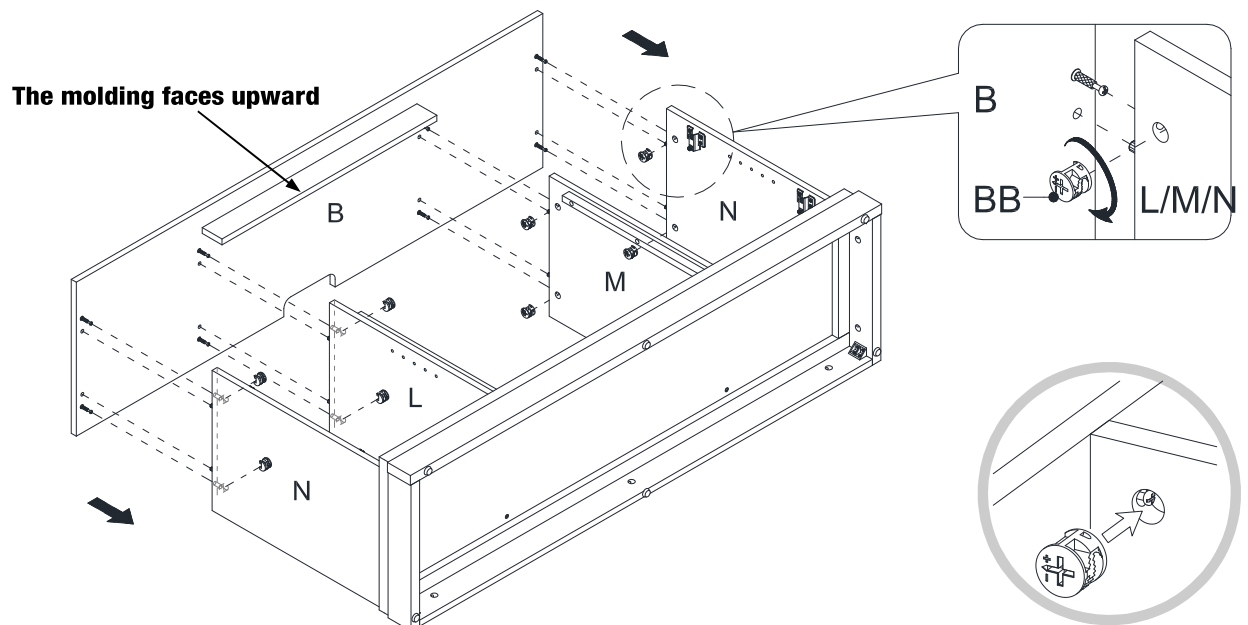
### 17 Attaching the lower partition panels

- Attach the lower partition panels (L and M) to the bottom panel (C) with four long flat head screws (FF).



### 18 Attaching the center shelf

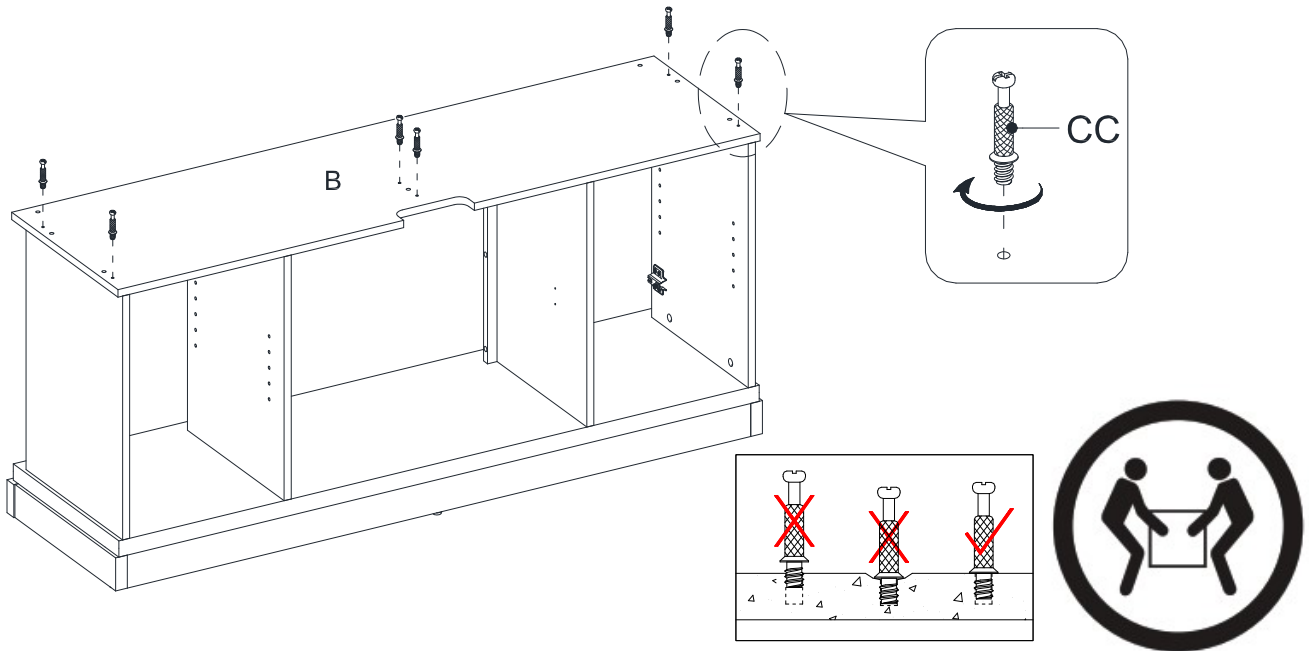
- Ask for assistance to position the center shelf (B) onto the inserted wood dowels (AA) on the vertical panels properly and fasten it in place by engaging eight cam locks (BB).



## Assembly (continued)

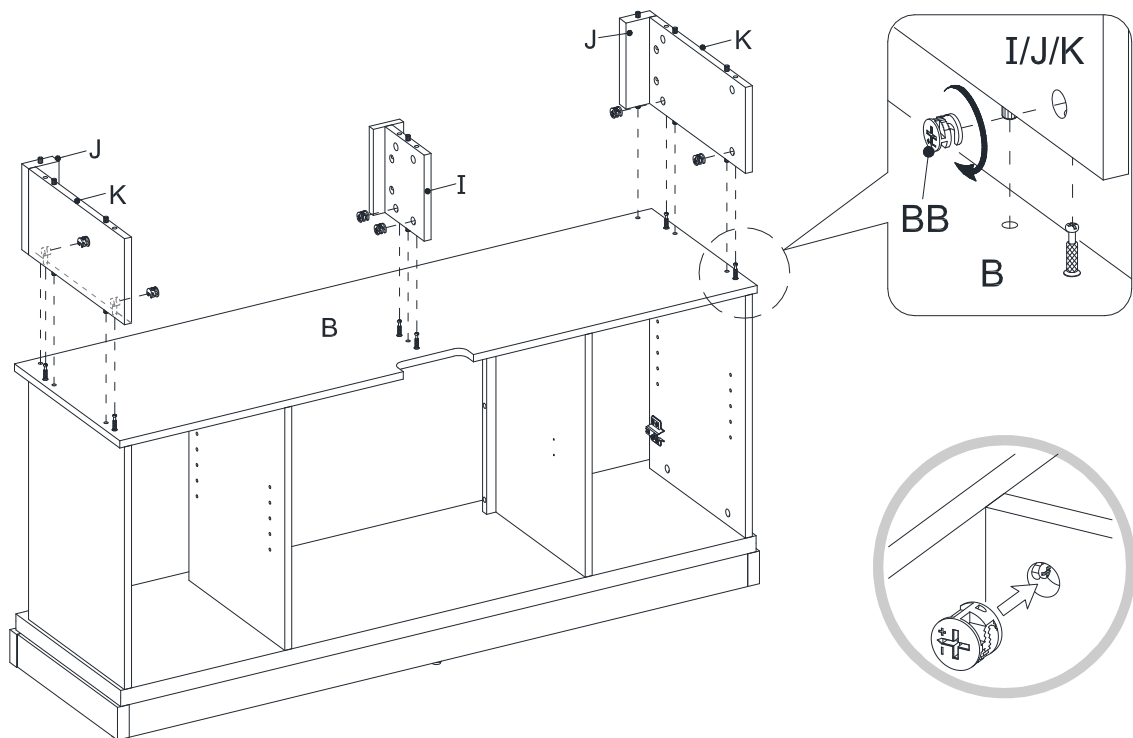
### 19 Screwing the cam bolts

- Ask for assistance to lift the assembly unit upright.
- Securely screw the cam bolts (CC) into the designated small holes on the top face of center shelf (B).



### 20 Attaching the upper side panels and partition panel

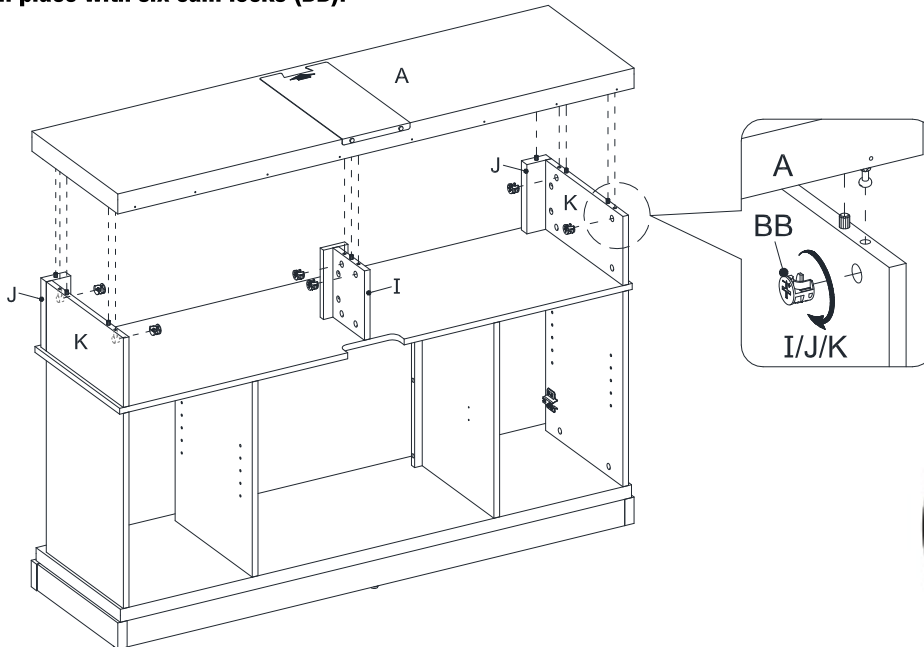
- Attach the upper side panels (K) and upper partition panel (I) to the center shelf (B) by engaging six cam locks (BB).



## Assembly (continued)

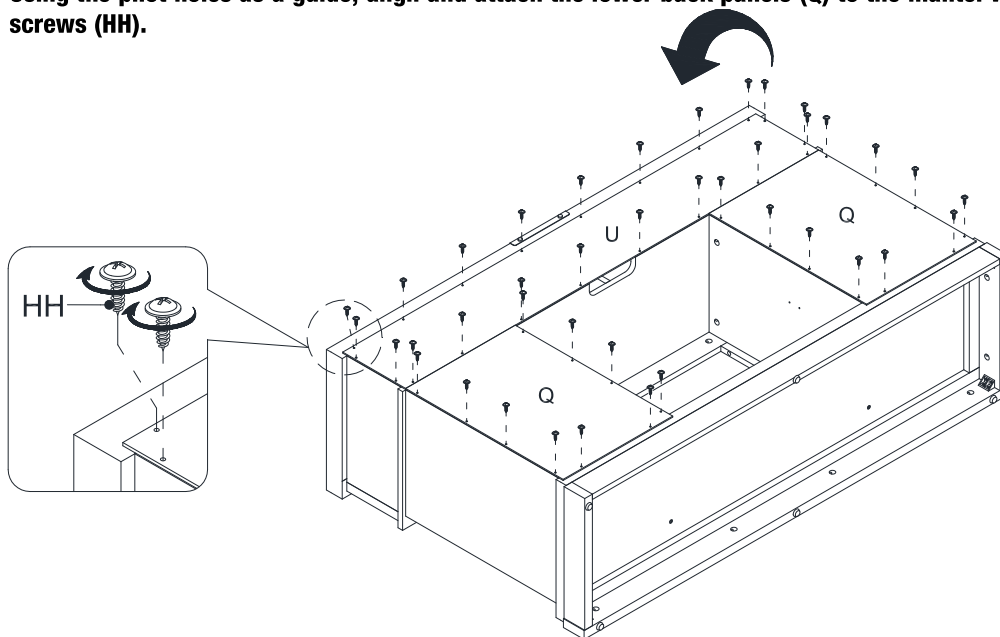
### 21 Attaching the top panel

- Ask for assistance to place the top panel (A) onto the inserted wood dowels (AA) on the vertical panels properly and fasten it in place with six cam locks (BB).



### 22 Attaching the back panels

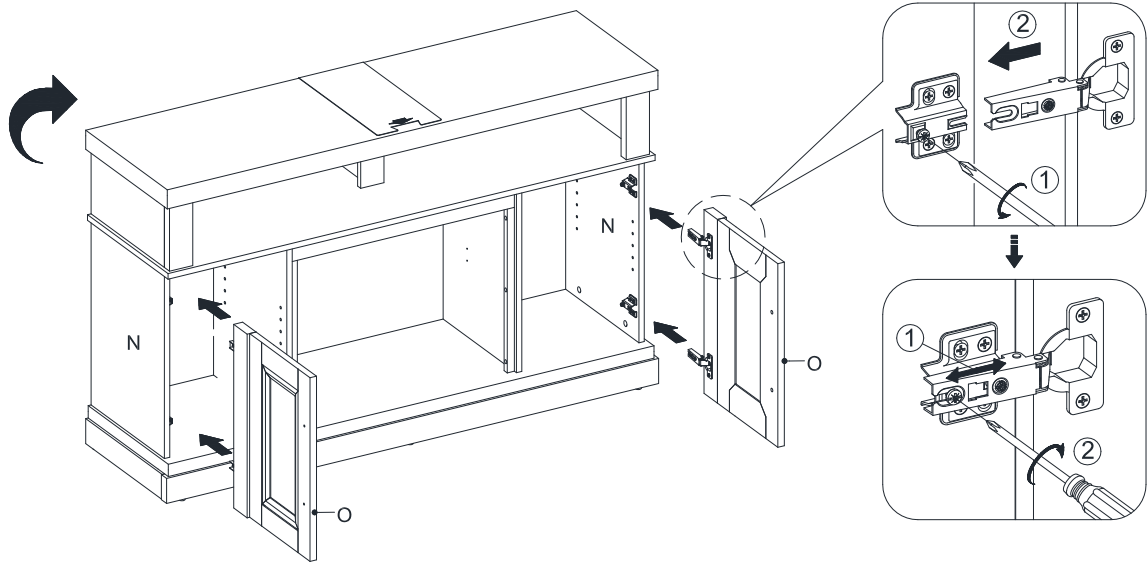
- Ask for assistance to lay down the unit at its front edge as shown.
- Pick up the upper back panel (U) and align the pre drilled holes against the upper long edge with the pilot holes on the back stretcher of the top panel (A). Attach it in place using the provided washer head screws (HH).
- Using the pilot holes as a guide, align and attach the lower back panels (Q) to the mantel with the provided washer head screws (HH).



## Assembly (continued)

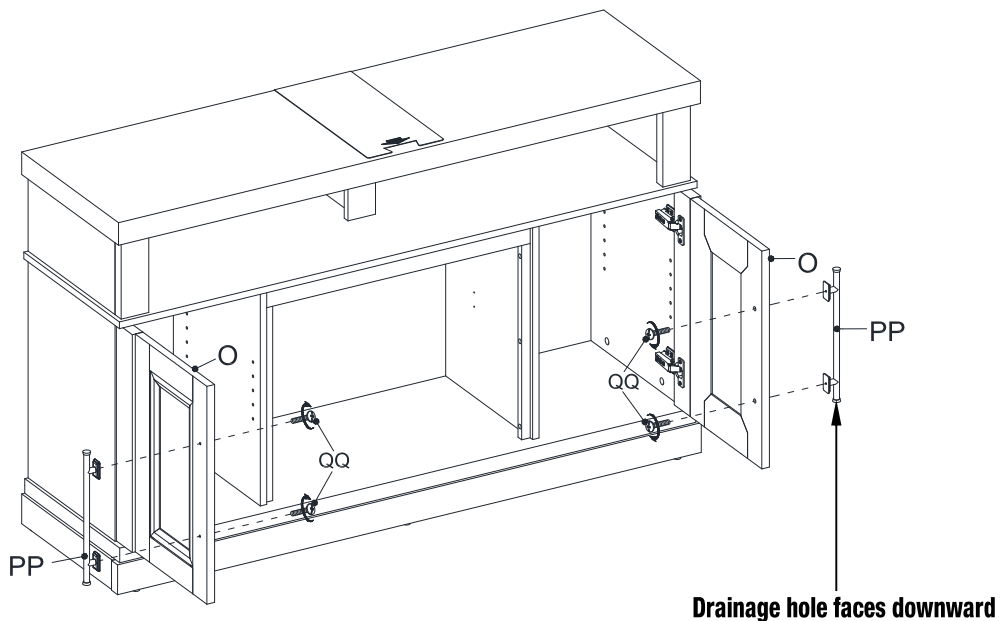
### 23 Installing the hinges

- Ask for assistance to lift the assembly unit upright and position it near the final location.
- Pick up the door panels (O) and attach the extended hinge arms to the hinge bases installed on the side panels (N). Loosen the bolt on the back of hinge base for an easy fit. Align and insert the "U" slot on hinge arm under the bolt head on the back of hinge base. Make sure that both door hinges engage and function properly. Tighten the bolt on the hinge base to lock the hinges in place.
- Open and close the doors to make sure they are aligned and shut correctly. If necessary, adjust the screws for a good fit. Refer to the hinge sticker on door for adjustment.



### 24 Installing the handles

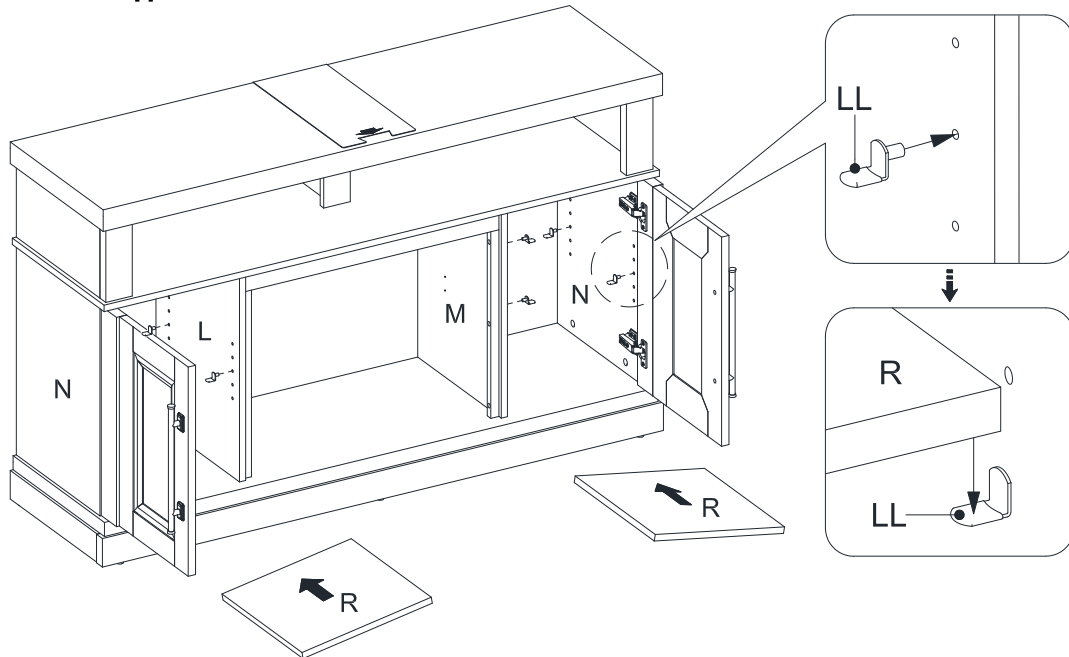
- Open the door and attach one handle (PP) to the front side of each door with two handle bolts (QQ).



## Assembly (continued)

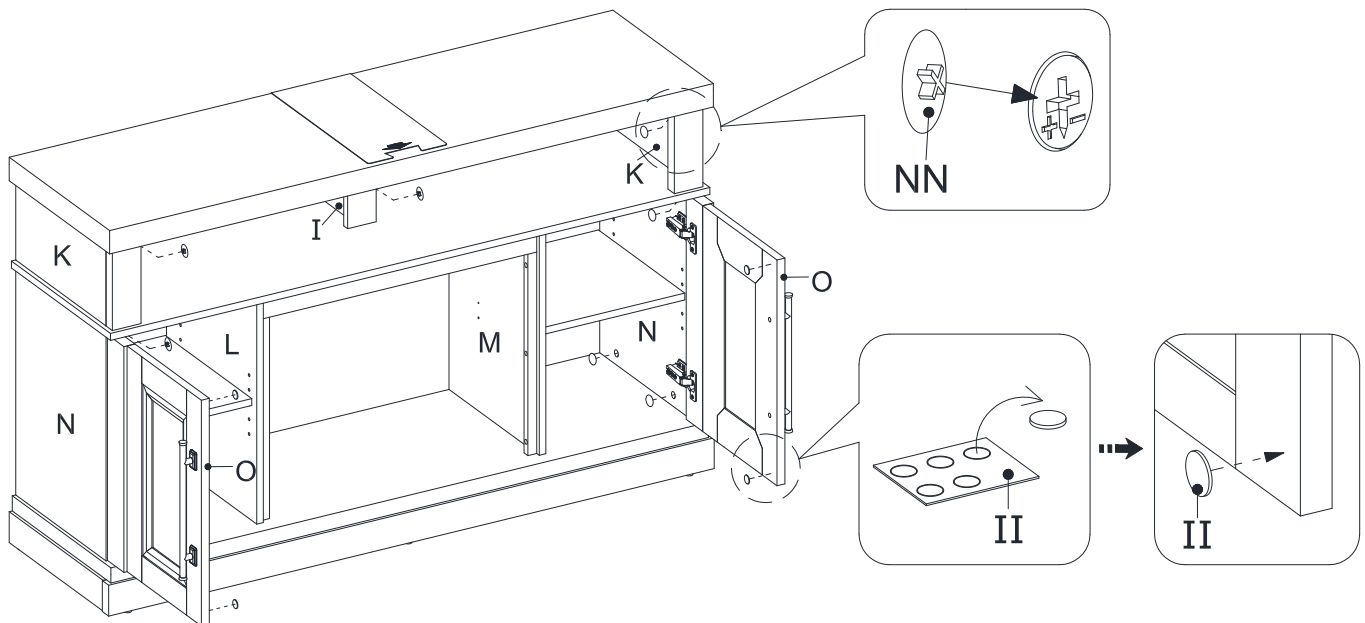
### 25 Installing the adjustable shelf

- Open the doors (O) and insert four shelf supports (LL) in the holes at the desired height inside each side compartment. Make sure you place the four shelf supports in the same level so the shelf is not tilted. Tilt and rest the adjustable shelves (R) onto the shelf supports.



### 26 Plugging the cam covers

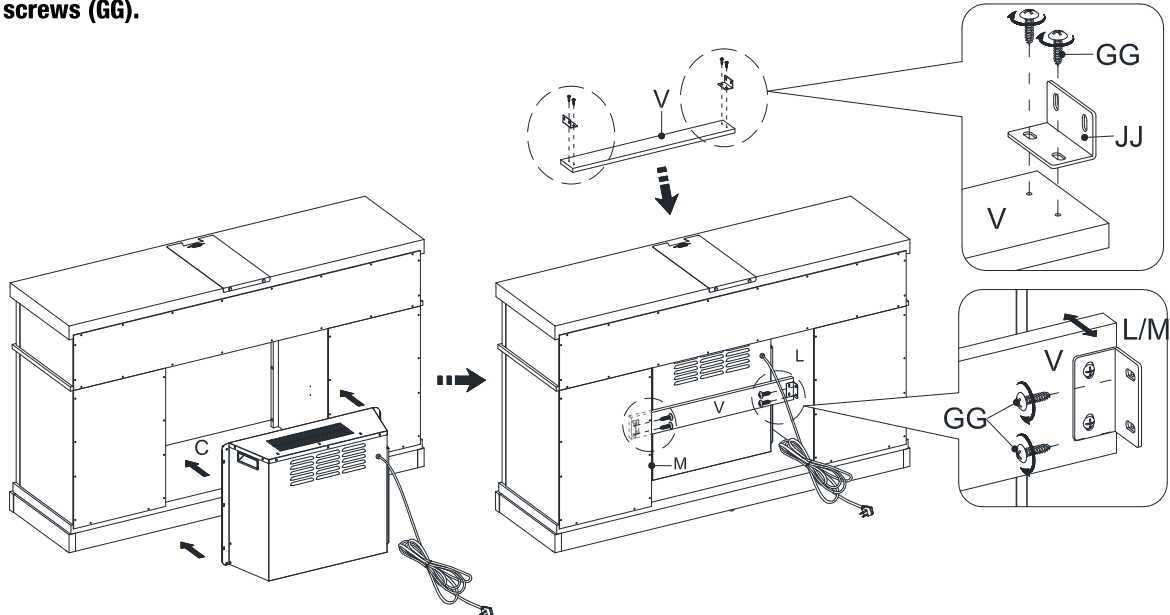
- Plug the cam lock covers (NN) onto the visible cam locks to conceal the cams.
- Stick the rubber bumpers (II) on the outer corners of doors where they meet the lower partition panels (L and M).



## Assembly (continued)

### 27 Installing the fireplace insert

- Lift the fireplace insert carefully into the back of the assembled mantel and center it in the opening. **DO NOT** drag the insert across the bottom panel (C) as it may scratch the unit.
- Use the pilot holes as a guide, fasten two metal brackets (JJ) onto the firebox support (V) with four pan head screws (GG). Make sure that the right angle is flush with the short edge of firebox support (V).
- Use the pilot holes as a guide, fasten the firebox support (V) between the lower partition panels (L and M) with four pan head screws (GG).



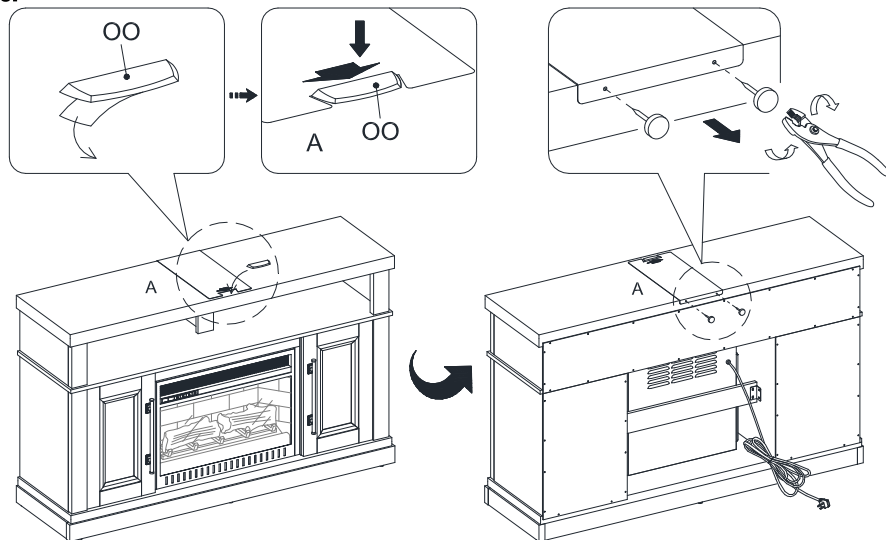
### 28 Installing the acrylic stopper

- Remove the paper backing of acrylic stopper (OO), then properly align the acrylic stopper into the cutout on the acrylic stopper template on the front of the top panel (A). Press down on the acrylic stopper to help adhesion.



**NOTE:** To prevent your TV from tipping, you must install the acrylic TV stopper if you place a flat panel television on the top panel. Otherwise, skip to next step.

- At the back of top panel (A), grip the heads of plastic tacks with pliers, with twisting motion pull tacks loose to remove the acrylic stopper template.



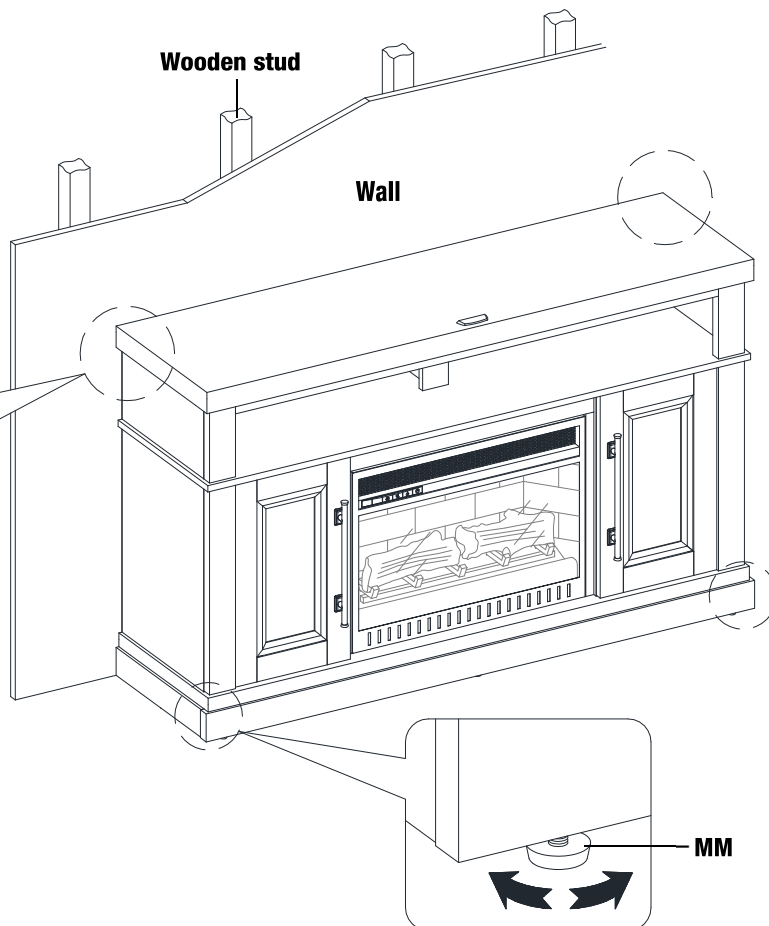
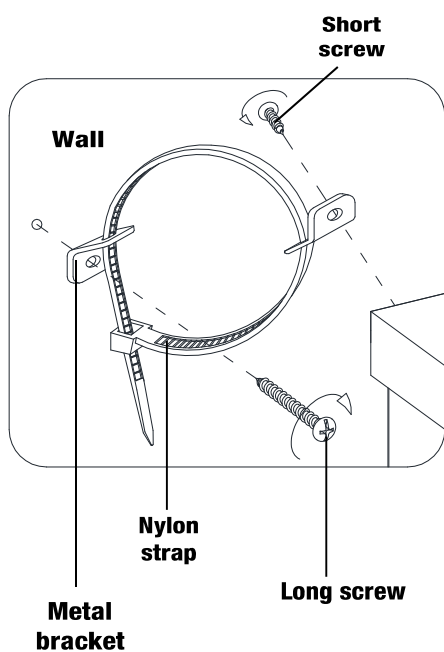
## Assembly (continued)

# 29 Installing the tipping restraint hardware



**WARNING:** Young children can be seriously injured by tipping furniture. You must install the tipping restraint hardware with the unit to prevent the unit from tipping, causing any accidents or damage. The tipping restraints are intended only as a deterrent, they are not a substitute for proper adult supervision. The tipping restraints are not earthquake restraints. If you wish to add the extra security of earthquake restraints, they must be purchased and installed separately.

- With assistance, position the assembled fireplace at the desired location against a wall. If necessary, adjust the installed floor levelers (MM) by hand to correct tilting and level the doors, until the unit is level.
- Follow the instructions printed on the plastic bag containing the tipping restraint hardware to attach the tip-over restraints to the unit and the wall.
- Connect the fireplace to the power transformer. Follow the operating manual for the electric fireplace insert to control your fireplace.



## Care and Maintenance

A touch-up pen has been provided to minimize the small nicks or scratches that may occur during assembly or shipping.

To clean and care for your furniture:

- Use a soft, clean cloth that will not scratch the surface when dusting.
- Use of furniture polishes is not necessary. Should you choose to use polishes, test first in an inconspicuous area.
- Using solvents of any kind on your furniture may damage the finish.
- Never use water to clean your furniture as it may cause damage to the finish.
- Always use coasters under beverage glasses and flowerpots.
- Liquid spills should be removed immediately. Using a soft clean cloth, blot the spill gently. Avoid rubbing.
- Always use protective pads under hot dishes and plates. Heat can cause chemical changes that may create spotting within the furniture finish.
- In the event that your furniture is stained or otherwise damaged during use, we recommend that you call a professional to repair your furniture.
- Check bolts/screws periodically and tighten them if necessary.

### CARING FOR WOOD FURNITURE

It is best to keep your furniture in a climate-controlled environment. Extreme temperature and humidity changes can cause fading, warping, shrinking and splitting of wood. It is advised to keep furniture away from direct sunlight as sun may damage the finish.

Proper care and cleaning at home will extend the life of your purchase. Following these important and helpful tips will enhance your furniture as it ages.

### CLEANING THE FIREPLACE TRIM

Clean the metal trim using a soft cloth, slightly dampened with citrus oil based product and buff with a clean soft cloth. **DO NOT** use brass polish or household cleaners as these products will damage the metal trim. Citrus oil based products can be obtained at supermarkets or hardware stores.





# **StyleWell.<sup>TM</sup>**

**Questions, problems, missing parts? Before returning to the store,  
call StyleWell Customer Service  
8 a.m. - 7 p.m., EST, Monday-Friday, 9 a.m. - 6 p.m., EST, Saturday**

**1-877-527-0313**

**HOMEDEPOT.COM**

**Retain this manual for future use.**

SKU n° 1001543034

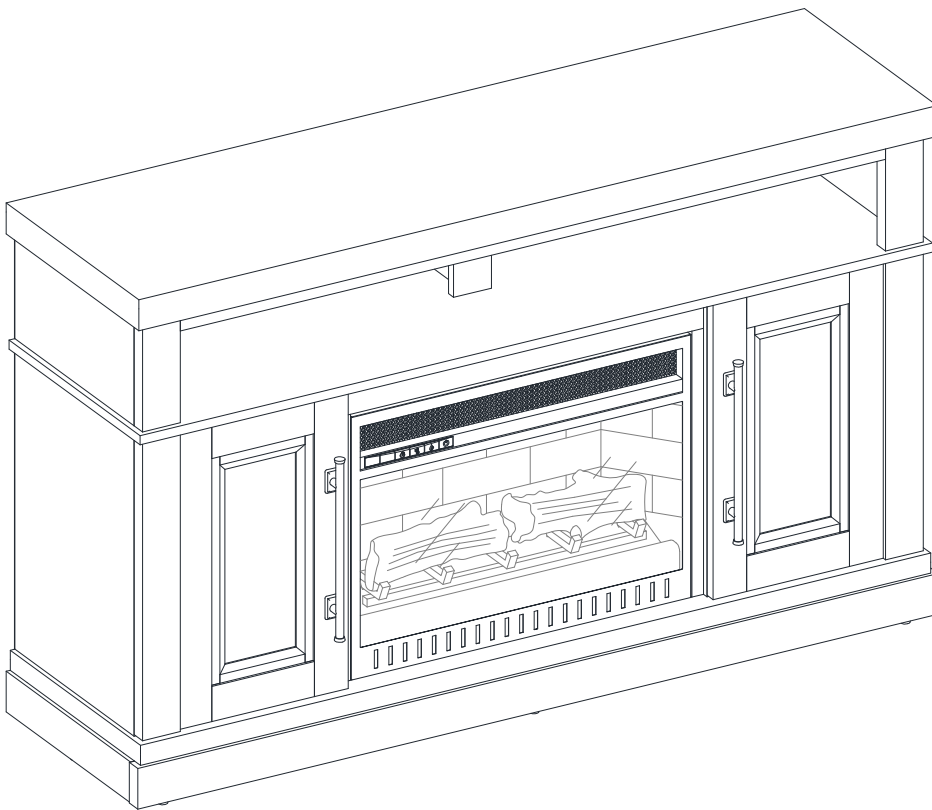
# StyleWell™

Modèle n° HDCFP54-13

## INSTRUCTIONS DE MONTAGE

---

**Bracebridge foyer électrique à bobines avec console pour système audiovisuel de 1,37 m**



**Vous avez des questions ou des problèmes? Certaines pièces sont manquantes?  
Avant de vous rendre au magasin, communiquez avec le service à la clientèle  
de 8 h à 19 h (HNE) du lundi au vendredi, de 9 h à 18 h (HNE) du samedi**

**1-877-527-0313**

**Homedepot.com**

---

**MERCI**

***Nous apprécions la confiance que vous avez témoignée à StyleWell en achetant ce meuble. Nous nous efforçons continuellement de créer des produits de qualité pour votre maison. Visitez notre site web pour voir la gamme complète de produits que nous offrons pour satisfaire à vos besoins en matière d'amélioration du foyer. Merci d'avoir choisi StyleWell!***

## Table des matières

Table des Matières .....	2
Consignes de sécurité .....	2
Garantie.....	2
Pré-Assemblage .....	2
Plan de montage .....	2

Outils nécessaires.....	2
Matériel fourni .....	3
Contenu de l'emballage.....	4
Assemblage.....	5
Entretien.....	20

## Consignes de sécurité

**Veillez lire et comprendre ces instructions avant d'assembler et d'utiliser cette console. Conservez ces instructions pour toute référence future.**

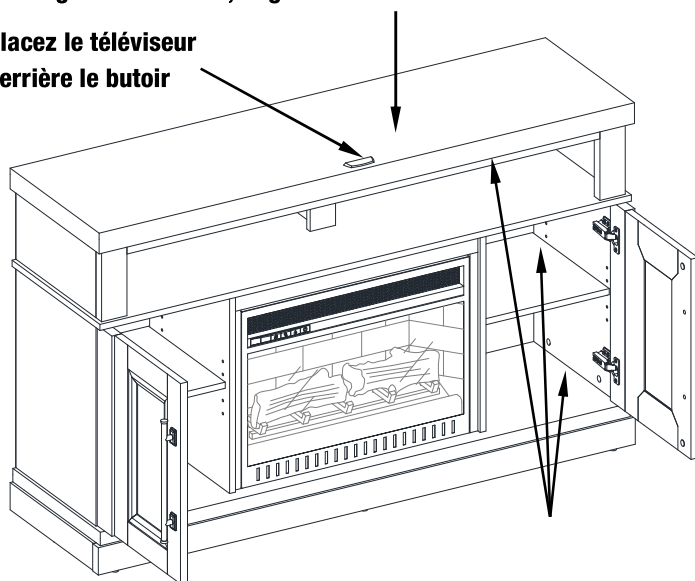
### POIDS MAXIMAL SUPPORTÉ



**AVERTISSEMENT :** Cette console n'est pas conçue pour supporter des téléviseurs à tube cathodique. Utilisez uniquement des téléviseurs à écran plat et des équipements audio/vidéo respectant les limites recommandées de taille et de poids. Ne l'utilisez jamais avec un téléviseur à écran plat plus grand ou plus lourd que ceux recommandés. Pour éviter l'instabilité, placez un téléviseur à écran plat au centre de l'appareil ; la base de la télévision doit pouvoir reposer sur la surface de support de l'appareil sans trop accrocher les bords. Des téléviseurs à écran plat mal positionnés, des téléviseurs à écran plat ou d'autres équipements dépassant les limites recommandées de taille et de poids peuvent tomber ou casser l'appareil, entraînant de graves blessures.

Convient à la plupart des téléviseurs à écran plat de 165,1 cm / 65 in.  
Charge maximale 36,3 kg / 80 lb

Placez le téléviseur  
derrière le butoir



Charge maximale 22,7 kg / 50 lb

## Garantie

Nous croyons que vous serez pleinement satisfait de votre achat. Si ce produit comporte des défauts de fabrication ou de main-d'œuvre, ou qu'il s'avérerait défectueux dans le cadre d'un usage normal, nous le réparerons ou le remplacerons jusqu'à un (1) an à compter de la date d'achat.

La présente garantie vous donne des droits légaux spécifiques et vous pouvez également avoir d'autres droits, lesquels varient d'une région à l'autre.

Communiquez avec l'équipe du service à la clientèle au 1-877-527-0313 ou visitez le site [www.HomeDepot.com](http://www.HomeDepot.com)

## Pré-assemblage

### PLAN DE MONTAGE

Comparez toutes les pièces avec les listes du matériel inclus et du contenu du paquet. Si une pièce semble manquante ou endommagée, n'assemblez pas le produit et contactez l'équipe du service client au 1-877-527-0313.

### OUTILS NÉCESSAIRES



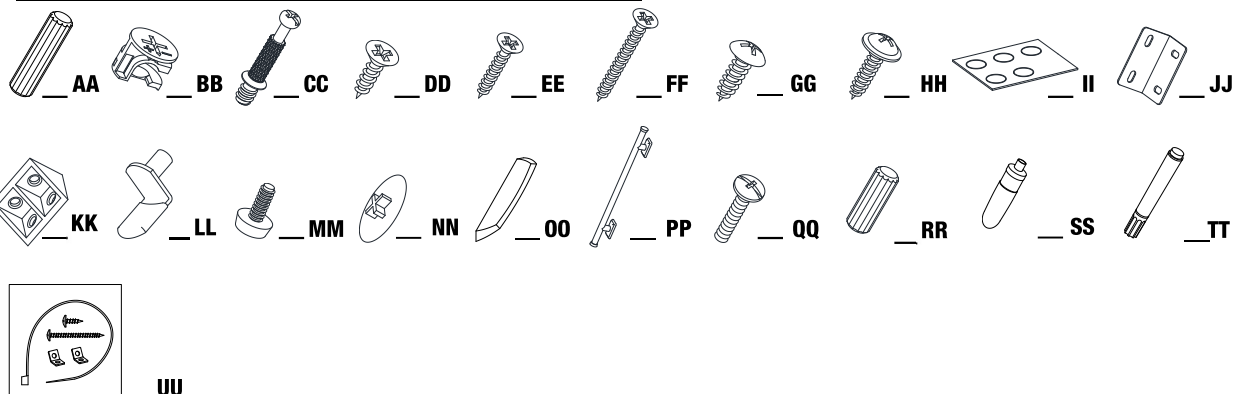
Tournevis  
cruciforme  
(non inclus)

# Pré-Assemblage (suite)

## MATÉRIEL FOURNI



REMARQUE : le matériel n'est pas affiché à l'échelle de grandeur réelle.

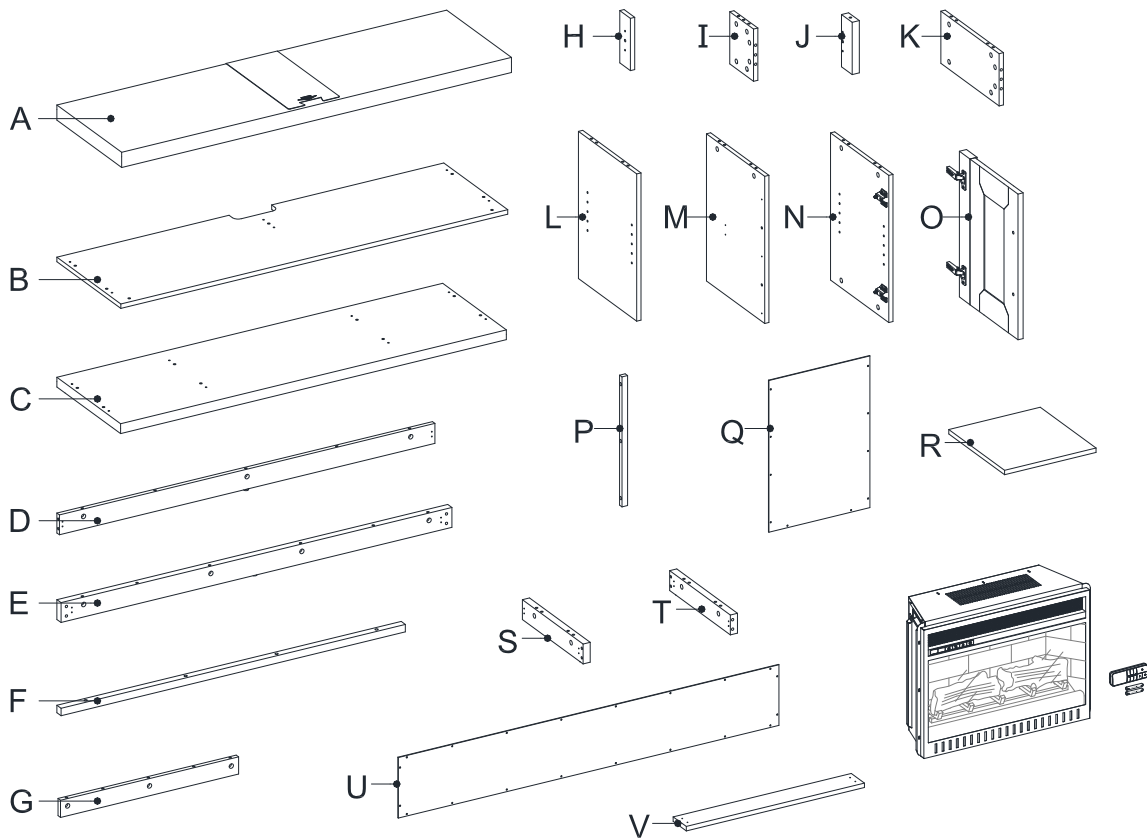


Pièce	Description	Quantité
AA	Grande cheville en bois	53+2 extra
BB	Verrou à came	44+2 extra
CC	Boulon à came	44+2 extra
DD	Vis à tête plate courte	16+1 extra
EE	Vis à tête plate moyenne	10+1 extra
FF	Vis à tête plate longue	4+1 extra
GG	Vis à tête cylindrique	8+1 extra
HH	Vis à tête ronde	40+2 extra
II	Pare-choc en caoutchouc	4+1 extra
JJ	Support métallique	2
KK	Support en plastique	4

Pièce	Description	Quantité
LL	Support d'étagère	8+1 extra
MM	Niveleur de plancher	2
NN	Couvercle de verrou à came	26+1 extra
OO	Bouchon en acrylique	1
PP	Poignée	2
QQ	Boulon de poignée	4
RR	Petite cheville en bois	4+1 extra
SS	Colle	2
TT	Stylo de retouche	1
UU	Kit de quincaillerie de retenue de basculement	2

# Pre-Assembly (continued)

## CONTENU DE L'EMBALLAGE



### Boîte 1

Pièce	Description	Quantité
A	Panneau supérieur	1
B	Étagère centrale	1
C	Panneau inférieur	1
D	Support arrière inférieur	1
E	Support avant inférieur	1
F	Moulage avant supérieur	1
G	Barre transversale centrale	1
H	Moulage de séparation supérieur	1
I	Paroi supérieure	1
J	Moulage de panneau latéral supérieur	2
P	Échelle inférieure centrale	2
S	Support inférieur gauche	1
T	Support inférieur droit	1
U	Panneau arrière supérieur	1
V	Support de foyer	1

### Boîte 2

Pièce	Description	Quantité
K	Panneau latéral supérieur	2
L	Paroi inférieure gauche	1
M	Paroi inférieure droite	1
N	Panneau latéral inférieur	2
O	Porte	2
Q	Panneau arrière inférieur	2
R	Étagère réglable	2

### Boîte 3

Pièce	Description	Quantité
	Insertion de cheminée	1
	Télécommande avec batterie	1

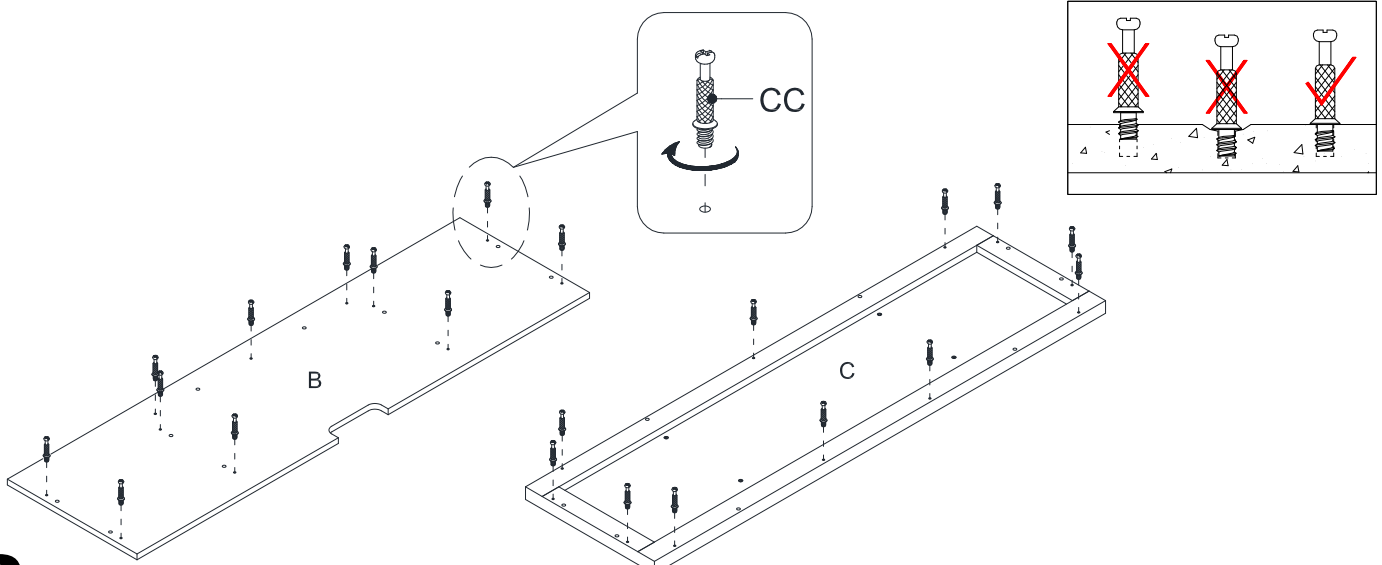
# Assemblage

## 1 Visser les boulons à came



**REMARQUE:** Ne pas serrer complètement tous les boulons avant d'avoir fini d'assembler toutes les pièces. Une fois assemblés, revenez en arrière et serrez complètement tous les boulons. Cela facilitera l'assemblage.

- Déballiez l'unité et vérifiez que vous disposez de tout le matériel et des pièces nécessaires. Assemblez l'unité sur un plancher recouvert de moquette ou sur le carton vide pour éviter les rayures.
- Vissez fermement les boulons à came (CC) dans les petits trous désignés sur l'étagère centrale (B) et le côté inférieur du panneau inférieur (C) à l'aide d'un tournevis cruciforme. Ne serrez pas trop les boulons à came.

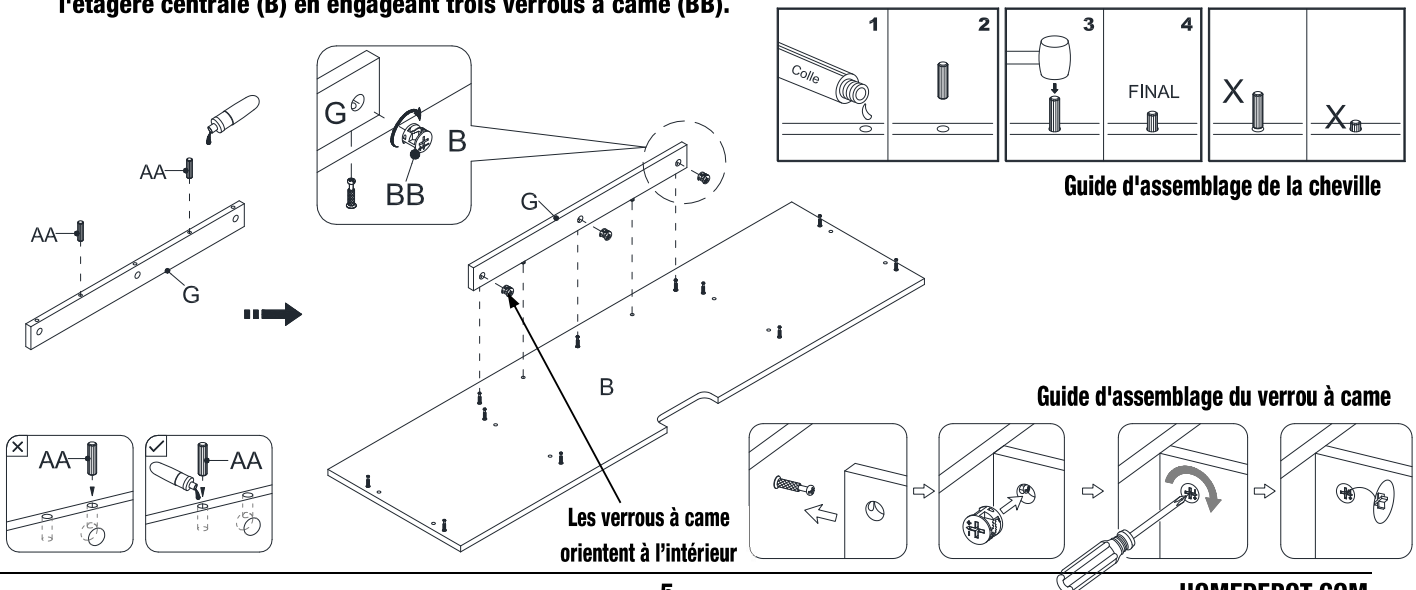


## 2 Fixer la barre transversale centrale



**REMARQUE:** Reportez-vous aux dessins du guide d'assemblage des chevilles dans cette étape pour plus de précisions sur la façon de coller correctement les chevilles en bois et d'installer les verrous à came. Appliquez cette méthode chaque fois que vous demandez d'installer des chevilles en bois et des verrous à came.

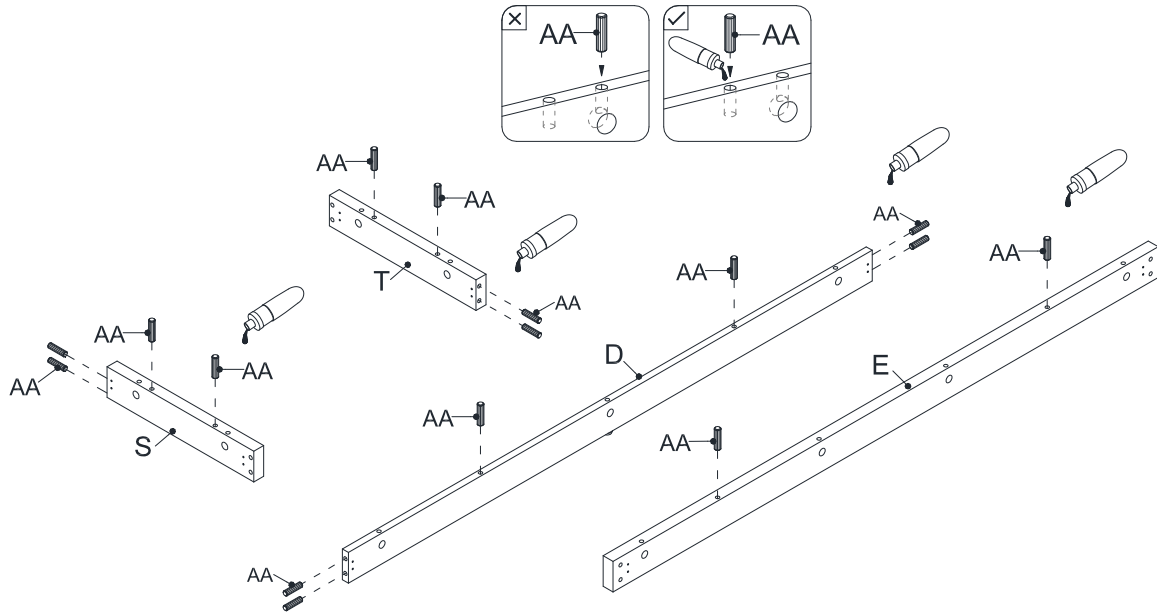
- Collez deux grandes chevilles en bois (AA) dans les trous intérieurs de la barre transversale centrale (G) et fixez-la à l'étagère centrale (B) en engageant trois verrous à came (BB).



## Assemblage (suite)

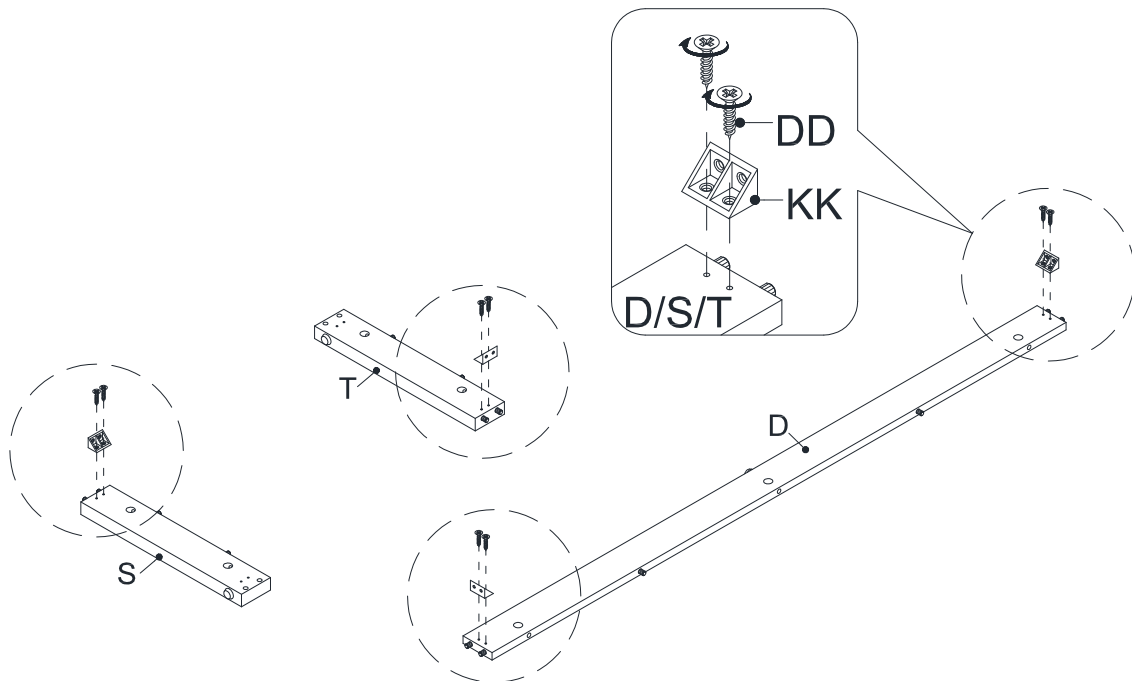
### 3 Coller les chevilles de bois

- Collez les grandes chevilles en bois (AA) dans les trous intérieurs des supports inférieurs (D, E, S et T) comme illustré.



### 4 Installation des supports en plastique

- En utilisant les trous pilotes comme guide, fixez un support en plastique (KK) à l'extrémité de chaque support latéral (S et T) avec deux vis à tête plate courtes (DD). Assurez-vous que le côté à angle droit est aligné avec l'extrémité courte et en cours d'exécution contre les chevilles en bois.
- Répétez la même étape pour fixer deux supports en plastique (KK) au support arrière inférieur (D).

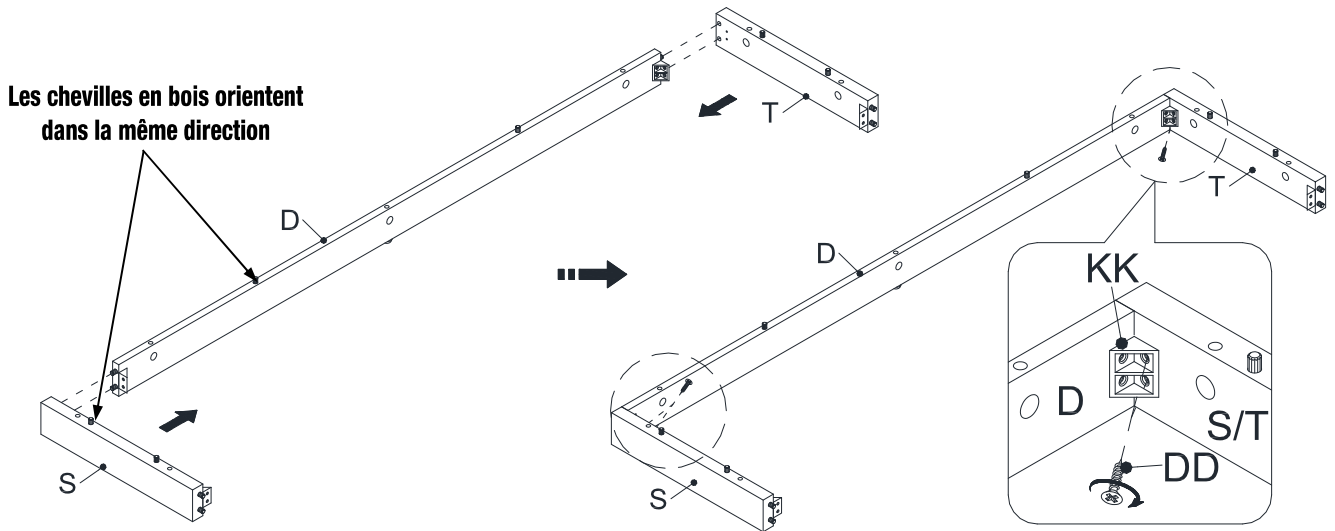




## Assemblage (suite)

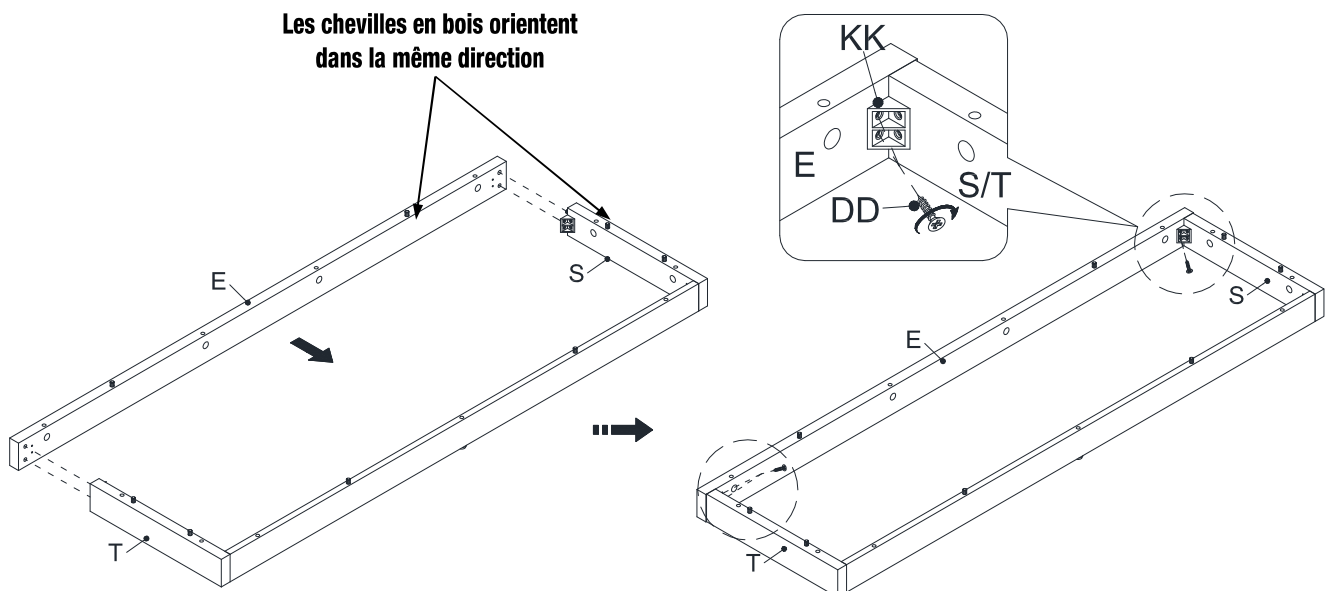
### 5 Fixation du support arrière inférieur

- Fixez le support arrière inférieur (D) entre les supports latéraux (S et T) et fixez les supports en plastique (KK) en place avec quatre vis à tête plate courtes (DD).



### 6 Fixation du support avant inférieur

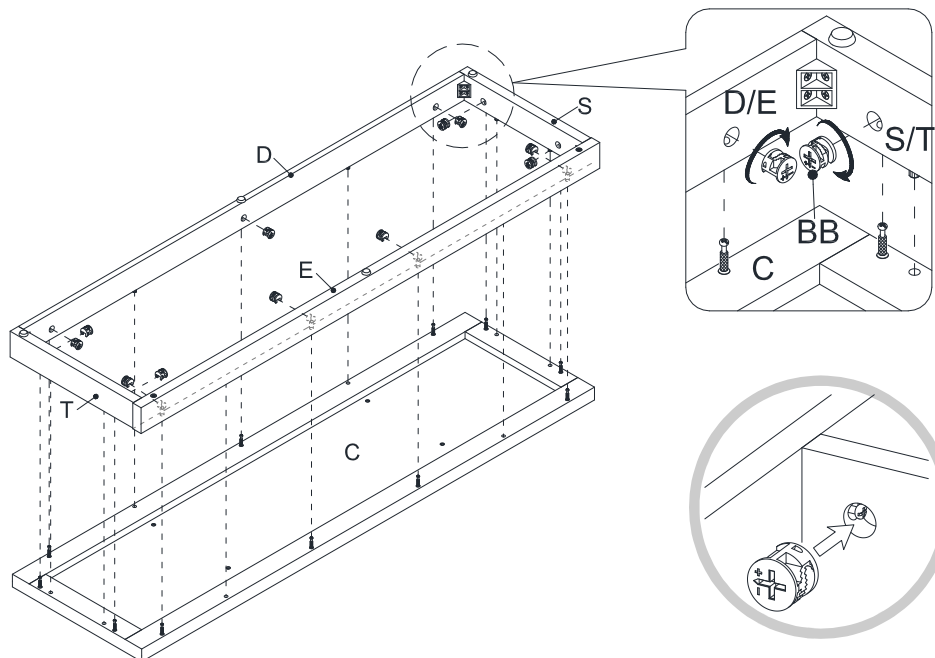
- Appuyez le support avant inférieur (E) sur les supports latéraux inférieurs (S et T) et fixez-le en place avec quatre vis à tête plate courtes (DD).



## Assemblage (suite)

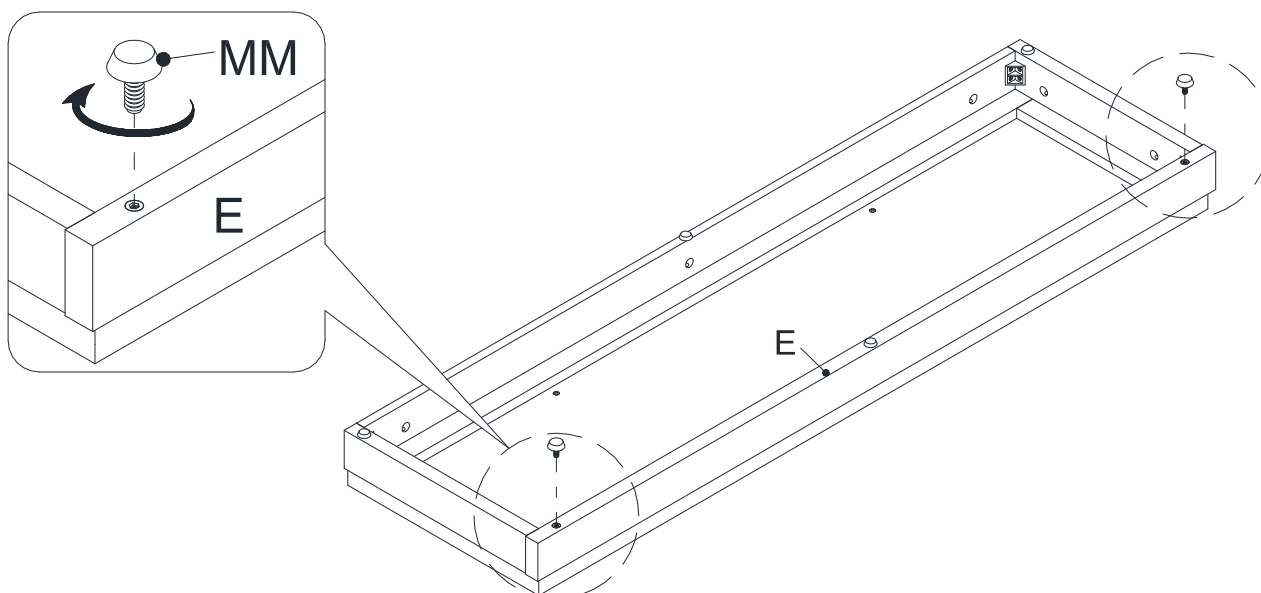
### 7 Fixation de la base

- Fixez la base assemblée au panneau inférieur (C) en engageant onze verrous à came (BB).



### 8 Installer les niveleurs de plancher

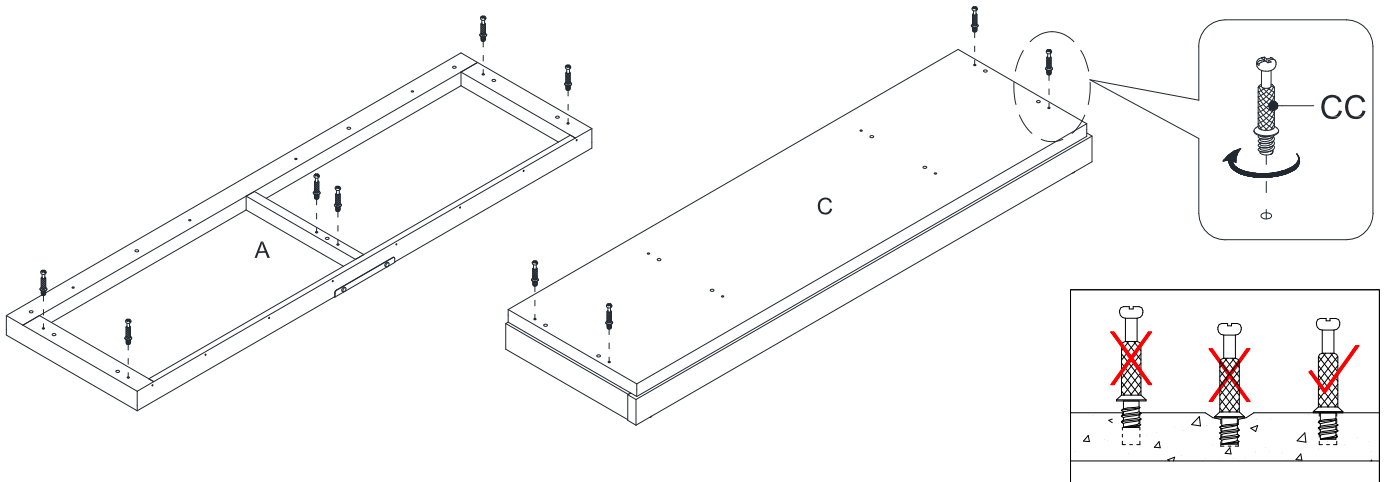
- Vissez les niveleurs de plancher (MM) dans les insertions filetées du support avant inférieur (E) et réglez à la bonne hauteur.



## Assemblage (suite)

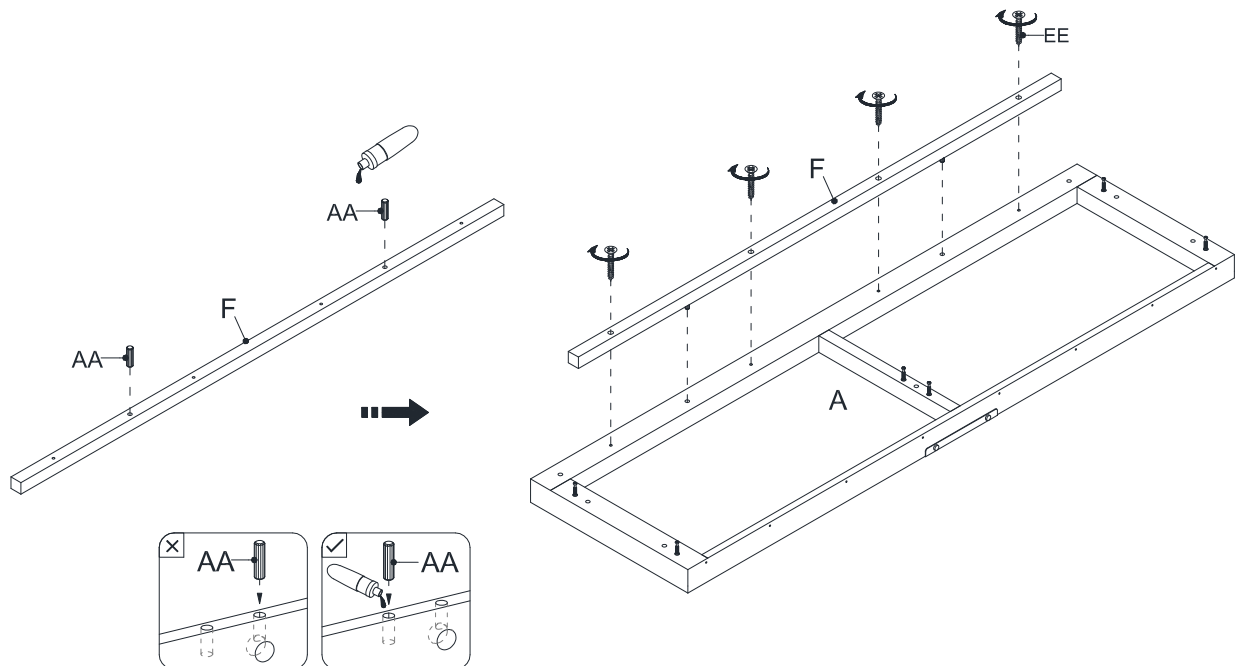
### 9 Visser les boulons à came

- Vissez solidement les boulons à came (CC) dans les petits trous désignés sur le panneau supérieur (A) et le côté supérieur du panneau inférieur (C) à l'aide d'un tournevis cruciforme.



### 10 Fixer le moulage avant supérieur

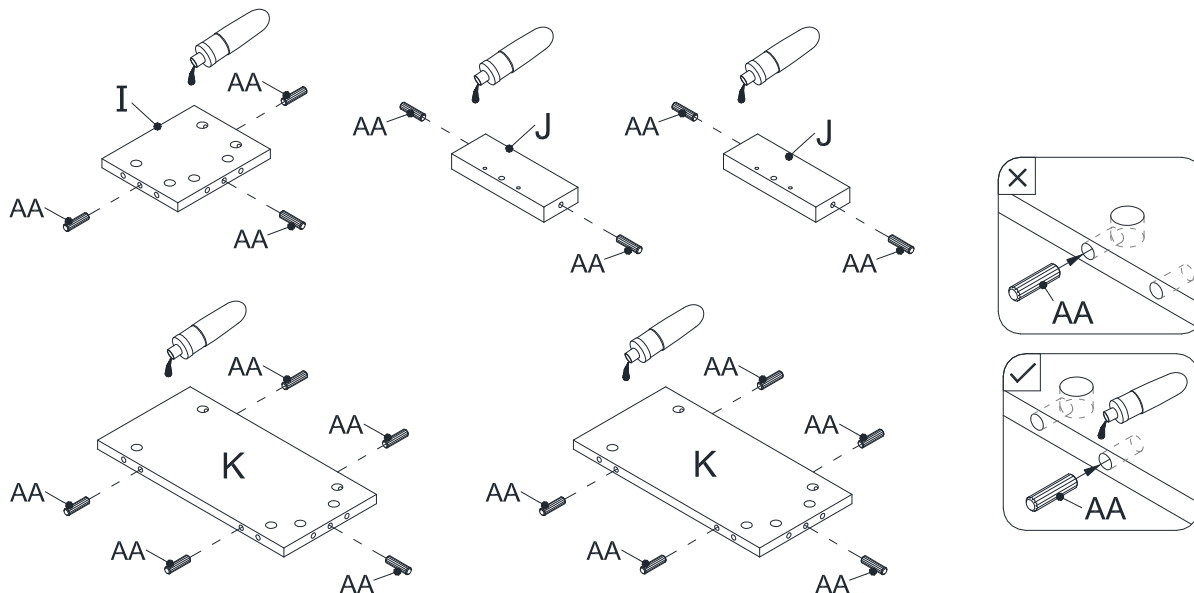
- Collez deux grandes chevilles en bois (AA) dans les trous intérieurs du moulage avant supérieur (F) et fixez-les au panneau supérieur (A) avec quatre vis à tête plate moyennes (EE).



## Assemblage (suite)

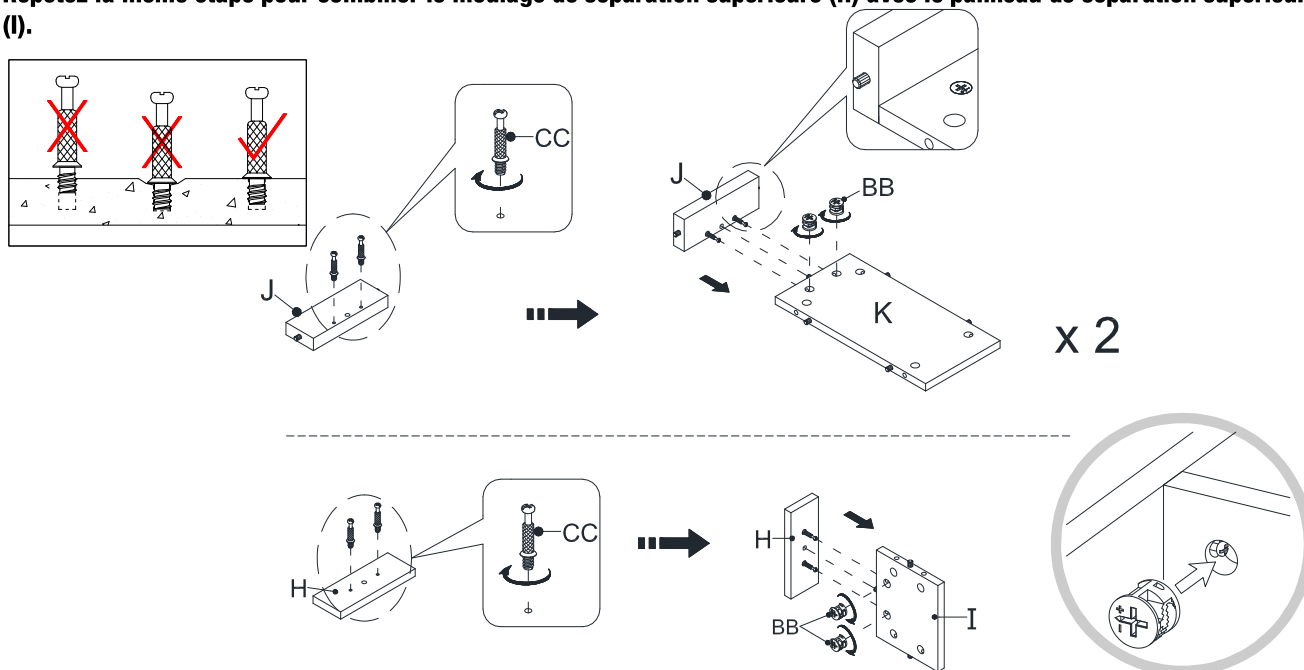
### 11 Coller les chevilles de bois

- Collez les grandes chevilles en bois (AA) dans les trous intérieurs de la paroi supérieure (I), des moulages du panneau latéral supérieur (J) et des panneaux latéraux supérieurs (K) comme illustré.



### 12 Fixation du moulage de séparation supérieur et des moulages des panneaux latéraux

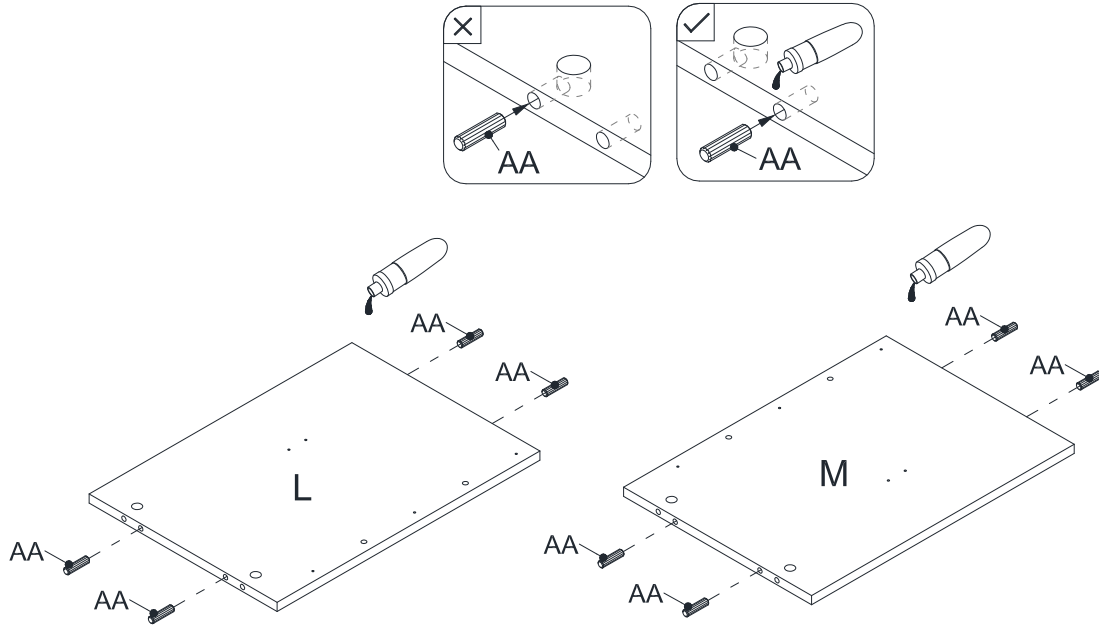
- Vissez solidement les boulons à came (CC) dans les petits trous désignés sur le moulage de séparation supérieur (H) et les moulages du panneau latéral supérieur (J) à l'aide d'un tournevis cruciforme.
- Fixez les moulages du panneau latéral supérieur (J) aux panneaux latéraux supérieurs (K) respectivement en engageant deux verrous à came (BB) pour chaque moulage.
- Répétez la même étape pour combiner le moulage de séparation supérieure (H) avec le panneau de séparation supérieur (I).



## Assemblage (suite)

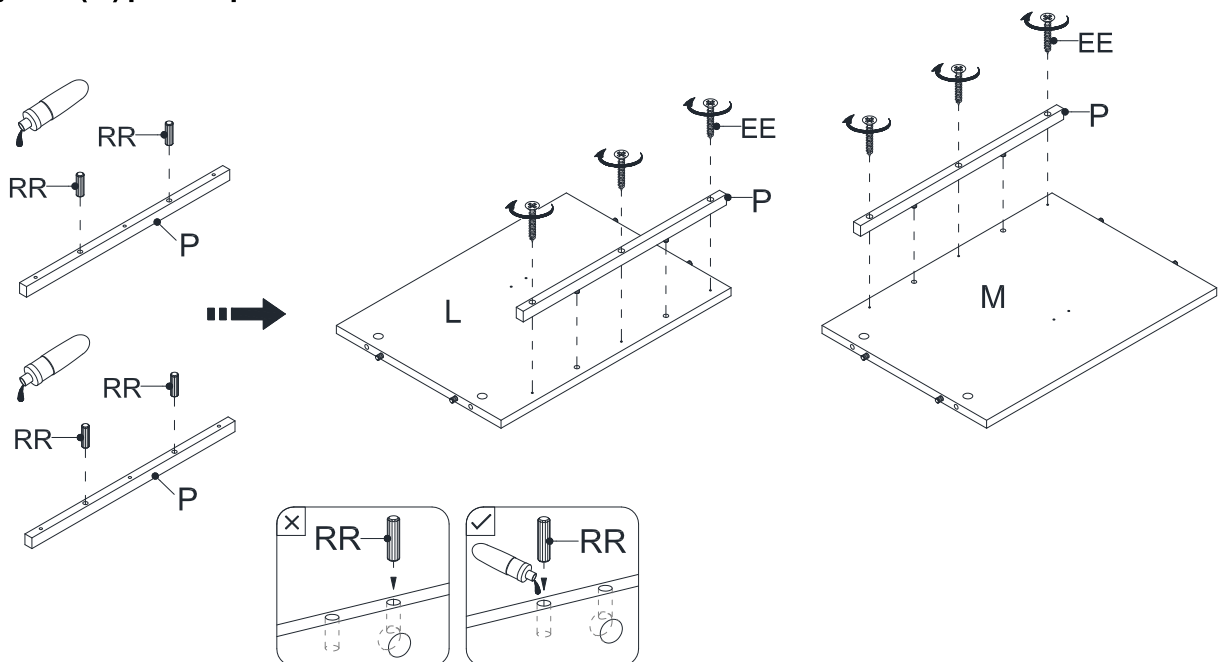
### 13 Coller les chevilles de bois

- Collez les grandes chevilles en bois (AA) dans les trous intérieurs des panneaux de séparation inférieurs (L et M) comme illustré.



### 14 Fixation des échelles centrales inférieures

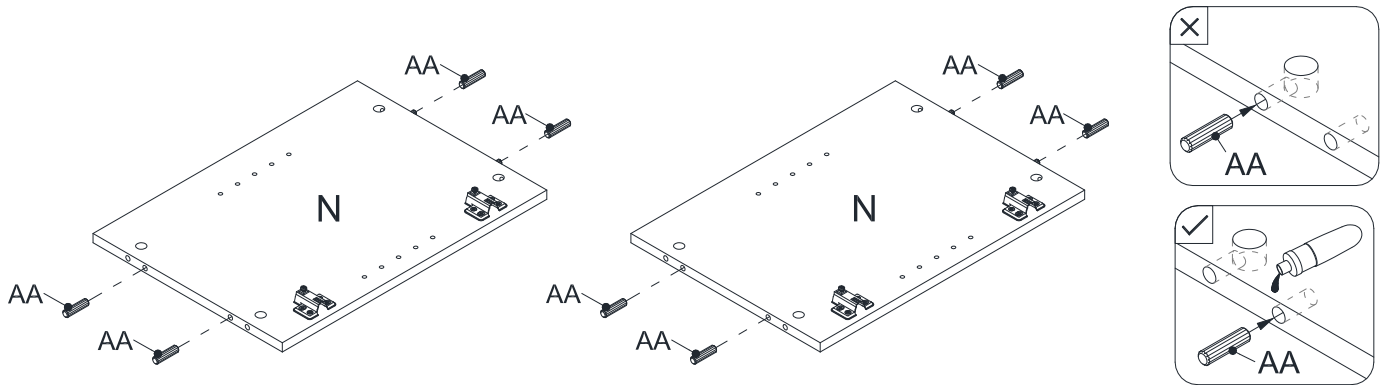
- Collez deux petites chevilles en bois (RR) dans les trous intérieurs de chaque échelle centrale inférieure (P).
- Fixez les échelles centrales inférieures (P) aux parois inférieures (L et M) respectivement avec trois vis à tête plate moyennes (EE) pour chaque échelle.



## Assemblage (suite)

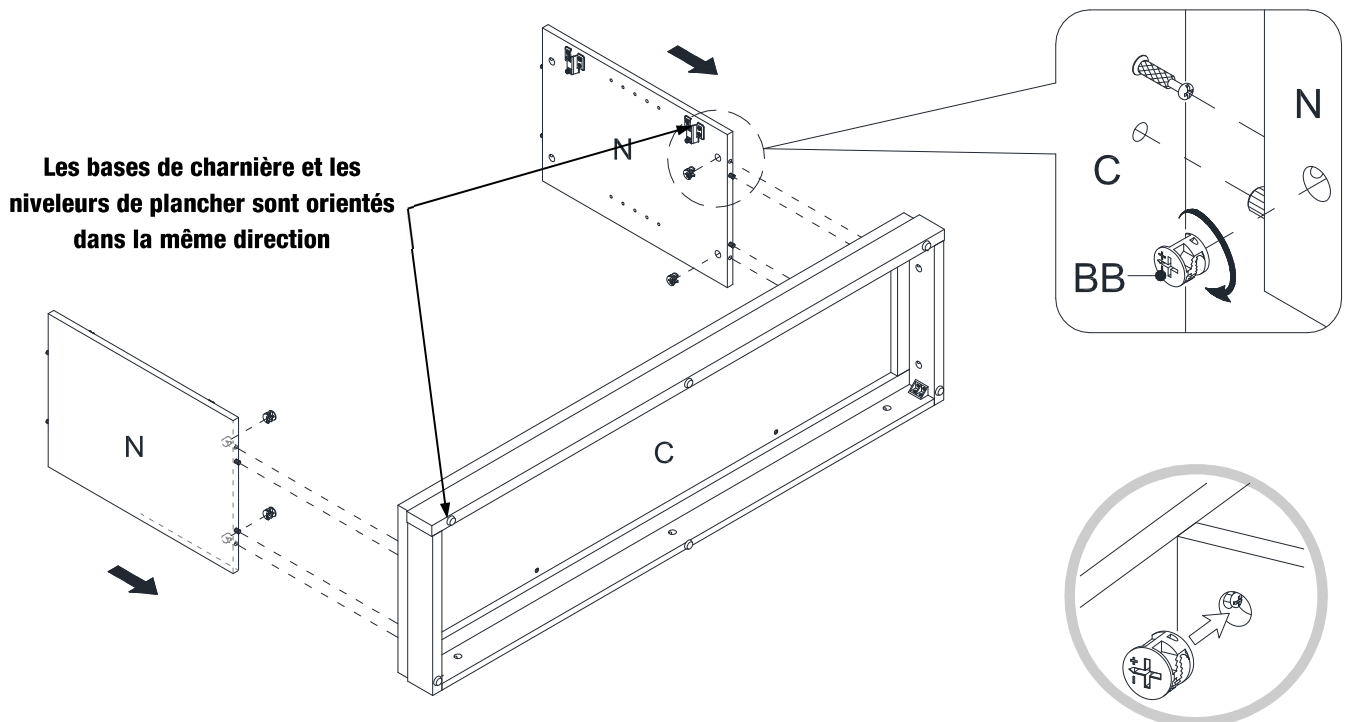
### 15 Coller les chevilles de bois

- Collez les grandes chevilles en bois (AA) dans les trous intérieurs des panneaux latéraux inférieurs (N).



### 16 Fixation des panneaux latéraux inférieurs

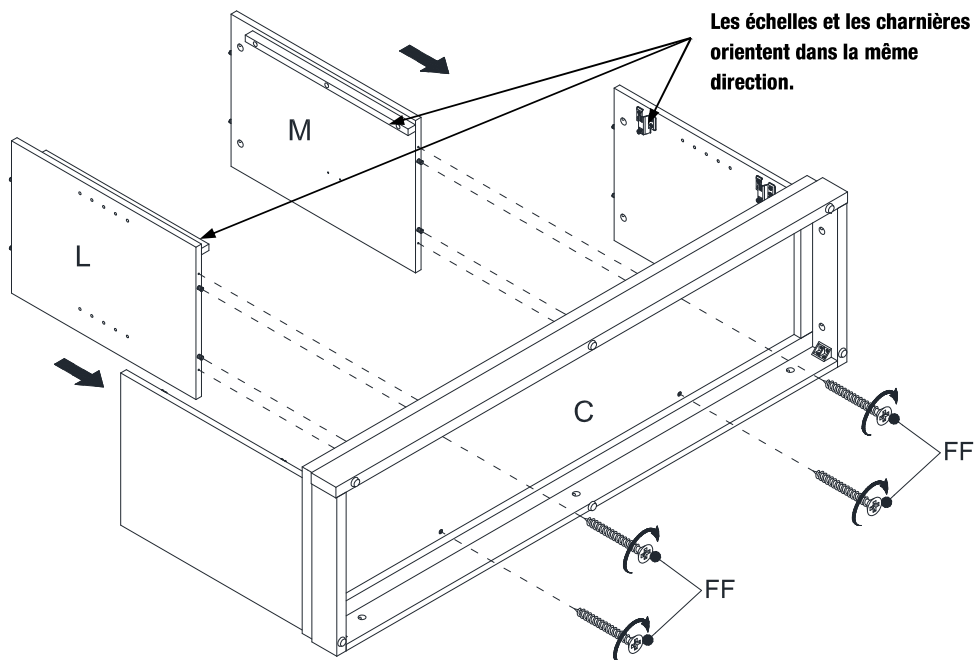
- Fixez les panneaux latéraux inférieurs (N) au panneau inférieur (C) en engageant quatre verrous à came (BB).



## Assemblage (suite)

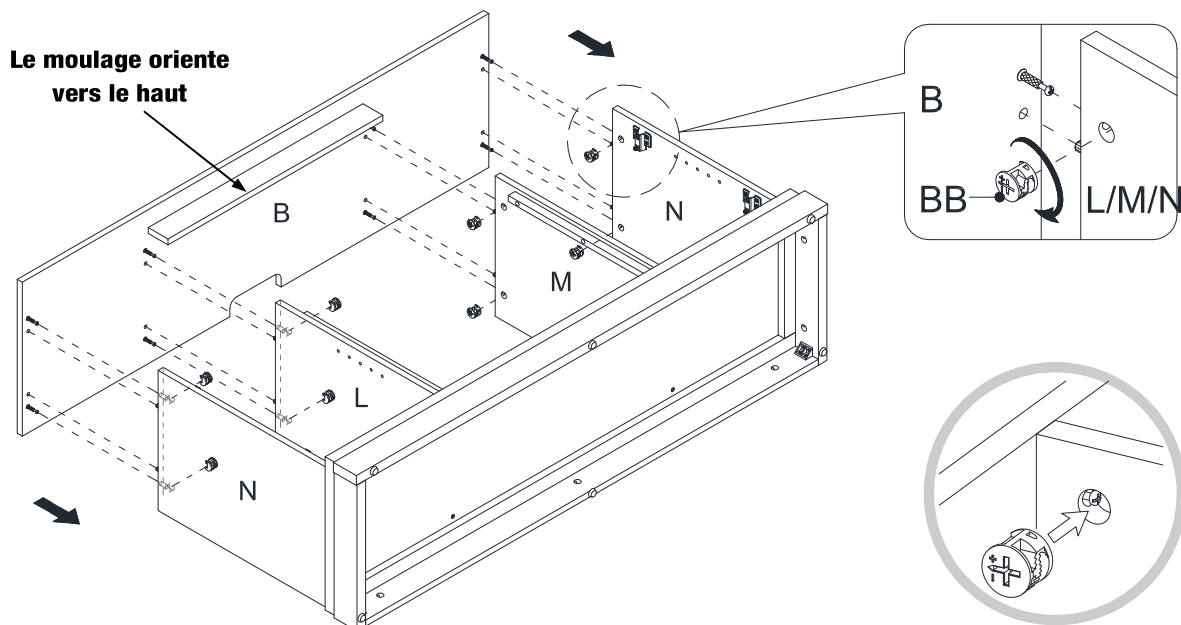
### 17 Fixation des parois inférieures

- Fixez les parois inférieures (L et M) au panneau inférieur (C) avec quatre vis à tête plate longues (FF).



### 18 Fixer l'étagère centrale

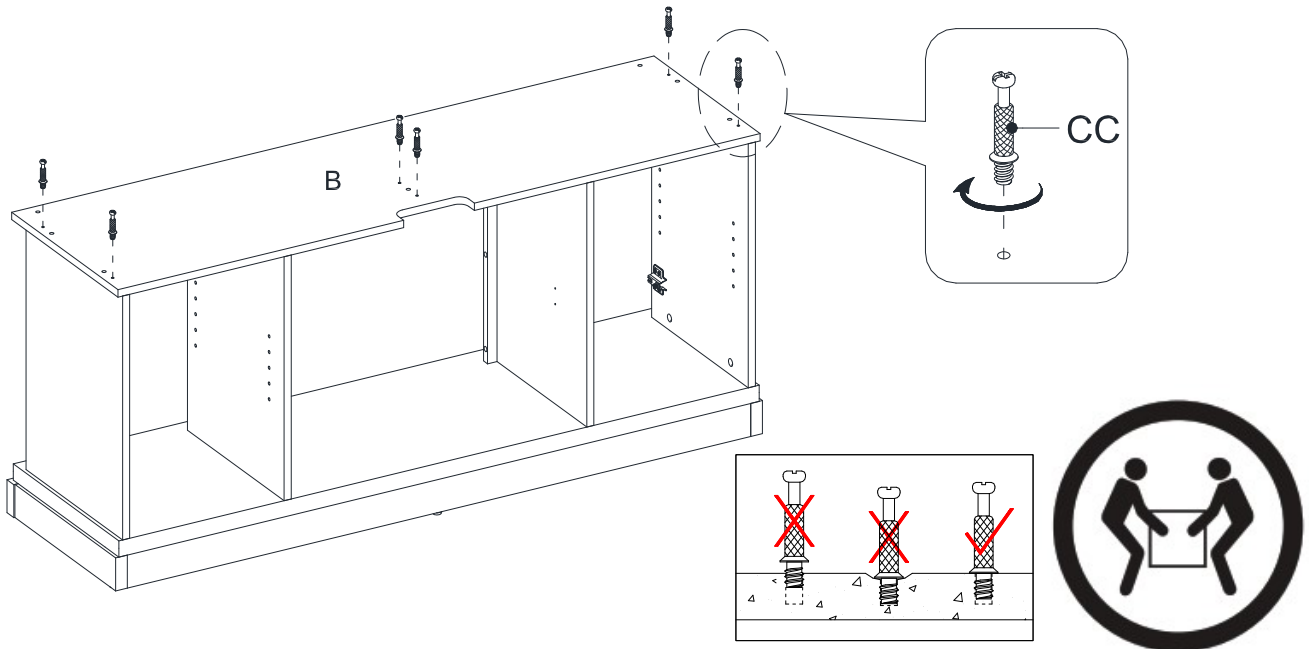
- Demandez de l'aide pour positionner correctement l'étagère centrale (B) sur les chevilles en bois insérées (AA) sur les panneaux verticaux et fixez-la en place en engageant huit verrous à came (BB).



## Assemblage (suite)

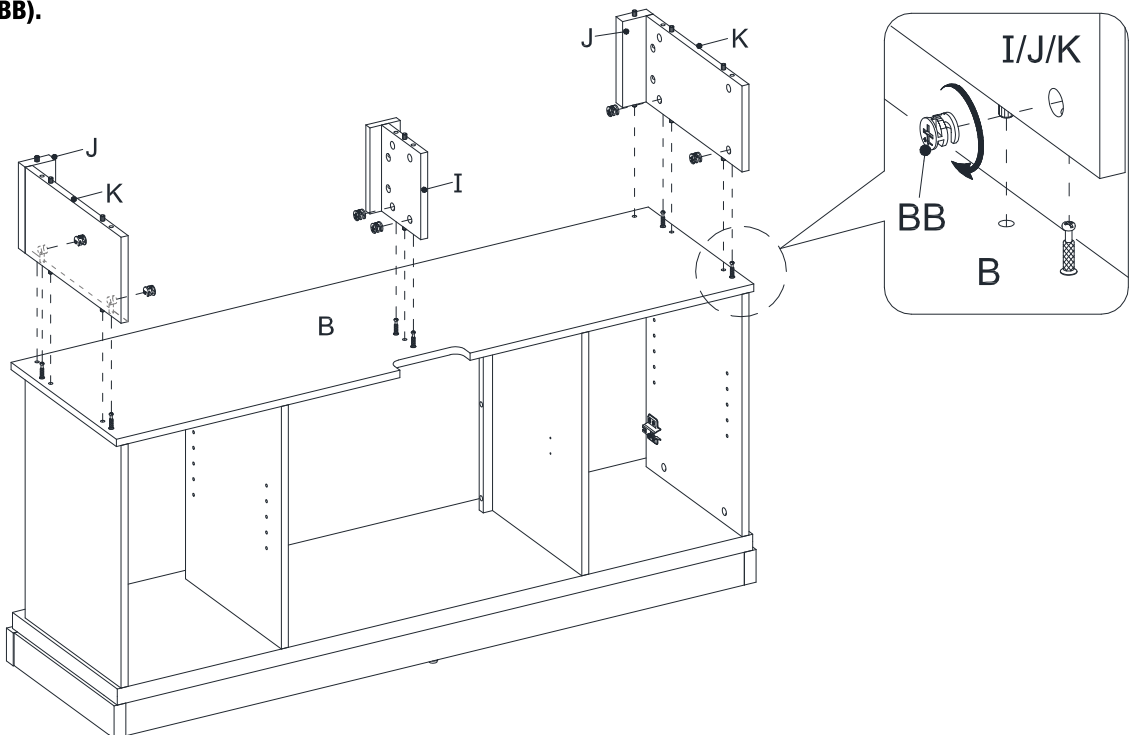
### 19 Visser les boulons à came

- A Demandez de l'aide pour soulever l'unité d'assemblage en position verticale.
- Vissez solidement les boulons à came (CC) dans les petits trous désignés sur la face supérieure de l'étagère centrale (B).



### 20 Fixation des panneaux latéraux supérieurs et de la paroi

- Fixez les panneaux latéraux supérieurs (K) et la paroi supérieure (I) à l'étagère centrale (B) en engageant six verrous à came (BB).

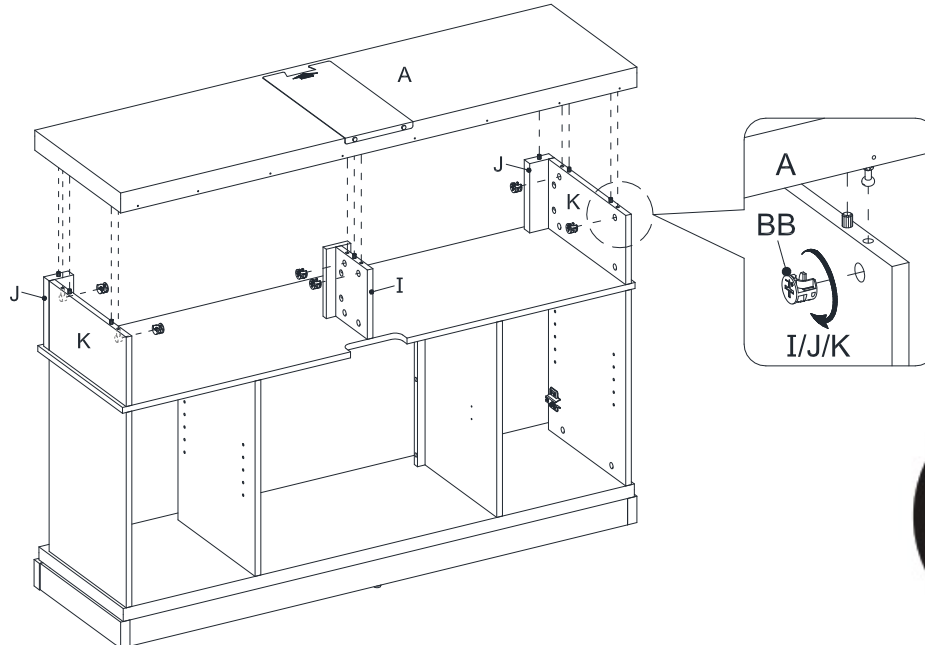




## Assemblage (suite)

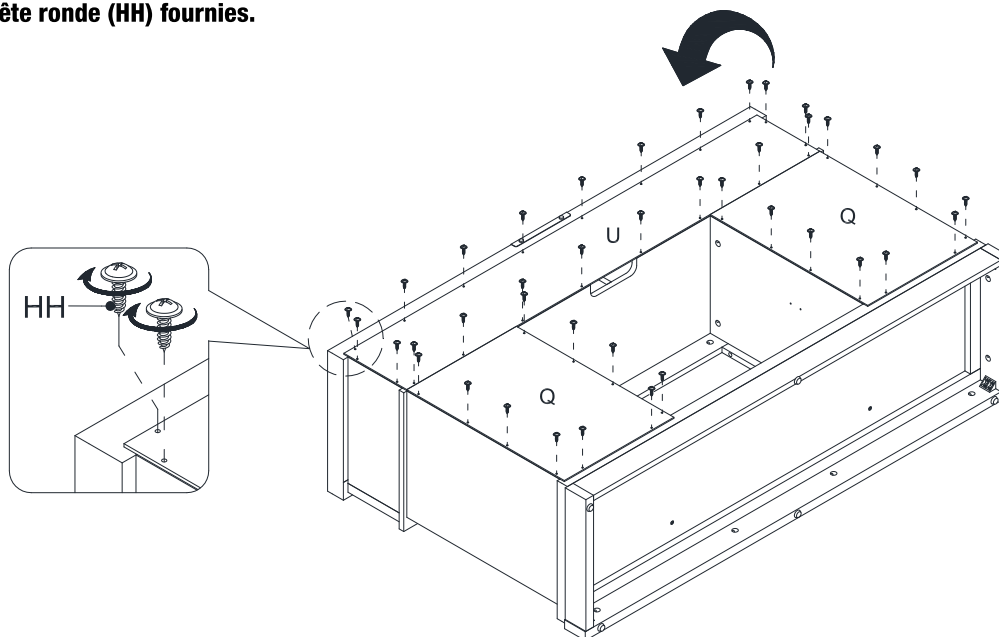
### 21 Fixer le panneau supérieur

- Demandez de l'aide pour placer correctement le panneau supérieur (A) sur les chevilles en bois insérées (AA) sur les panneaux verticaux et fixez-le en place avec six verrous à came (BB).



### 22 Installer les panneaux arrière

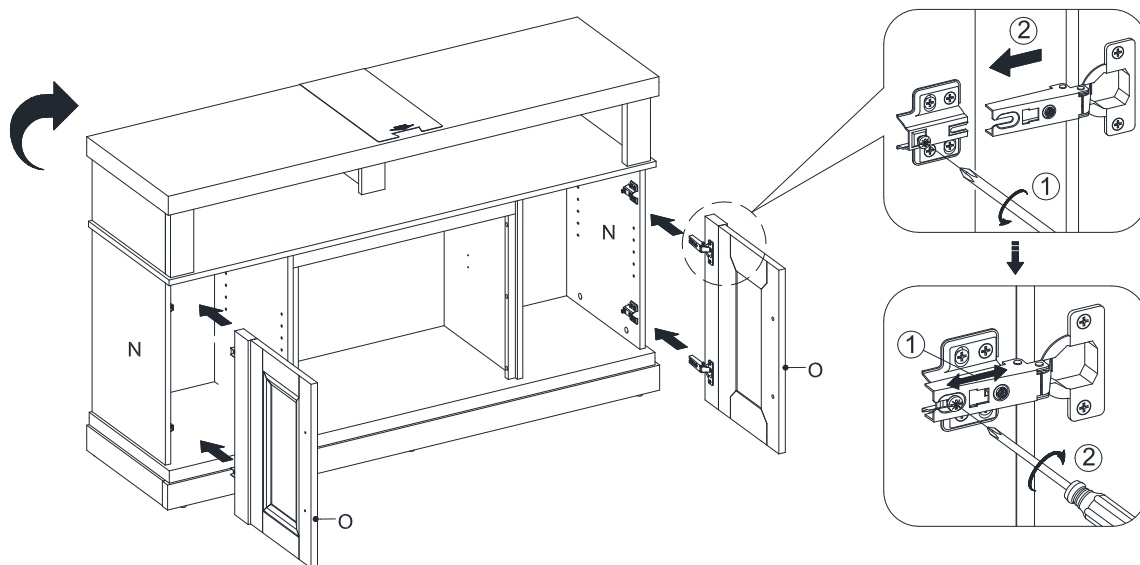
- Demandez de l'aide pour déposer l'unité sur son bord avant, comme illustré.
- Soulevez le panneau arrière supérieur (U) et alignez les trous pré-perçés contre le bord long supérieur avec les trous pilotes sur la civière arrière du panneau supérieur (A). Fixez-le en place à l'aide des vis à tête ronde (HH) fournies.
- En utilisant les trous pilotes comme guide, alignez et fixez les panneaux arrière inférieurs (Q) au manteau avec les vis à tête ronde (HH) fournies.



## Assemblage (suite)

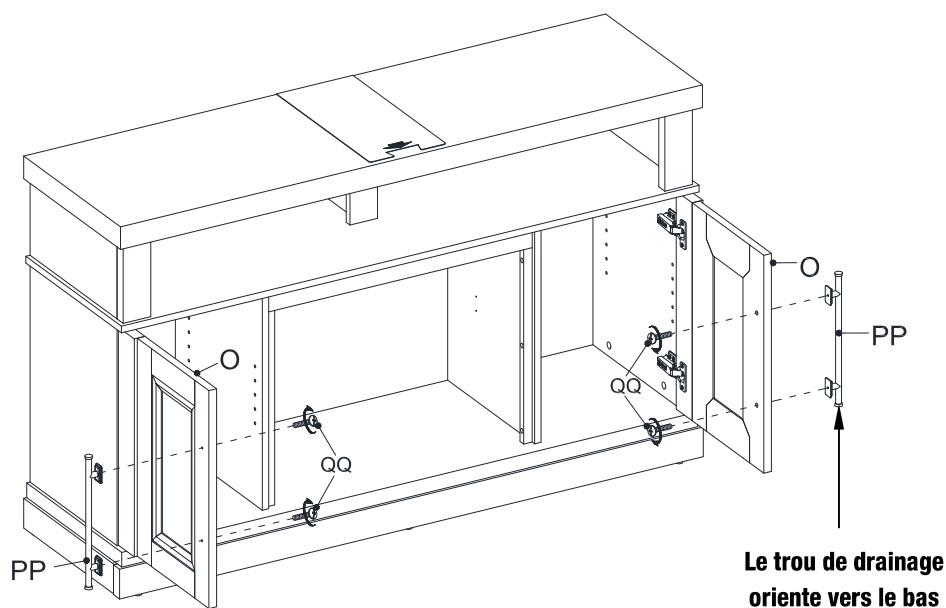
### 23 Fixer les panneaux de porte

- Demandez de l'aide pour soulever l'unité de montage debout et la positionner près de l'emplacement final.
- Prenez les panneaux de porte (O) et fixez les bras de charnière allongés aux bases de la charnière installées sur les panneaux latéraux (N). Desserrez le boulon à l'arrière de la base de charnière pour un ajustement facile. Alignez et insérez la fente en "U" sur le bras de charnière sous la tête de boulon à l'arrière de la base de la charnière. Assurez-vous que les deux charnières de porte s'enclenchent et fonctionnent correctement. Serrez le boulon sur la base de la charnière pour verrouiller les charnières en place.
- Ouvrez et fermez les portes pour vous assurer qu'elles sont alignées et bien fermées. Si nécessaire, ajustez les vis pour un bon ajustement. Reportez-vous à l'autocollant de charnière sur la porte pour le réglage.



### 24 Installer les poignées

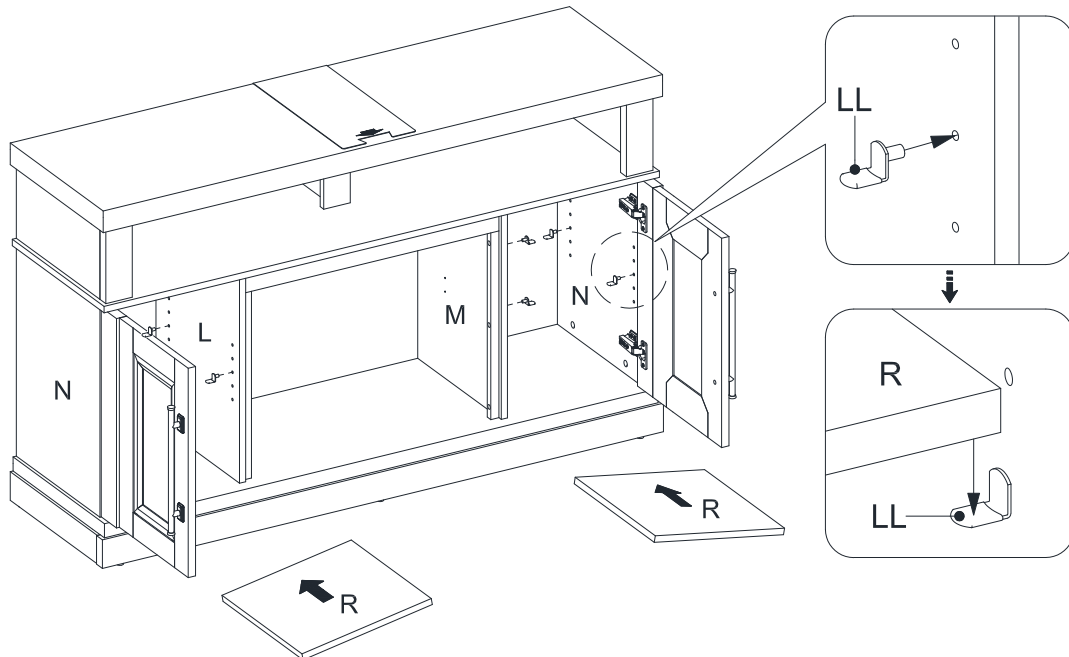
- Ouvrez la porte et fixez une poignée (PP) à l'avant de chaque porte avec deux boulons de poignée (QQ).



## Assemblage (suite)

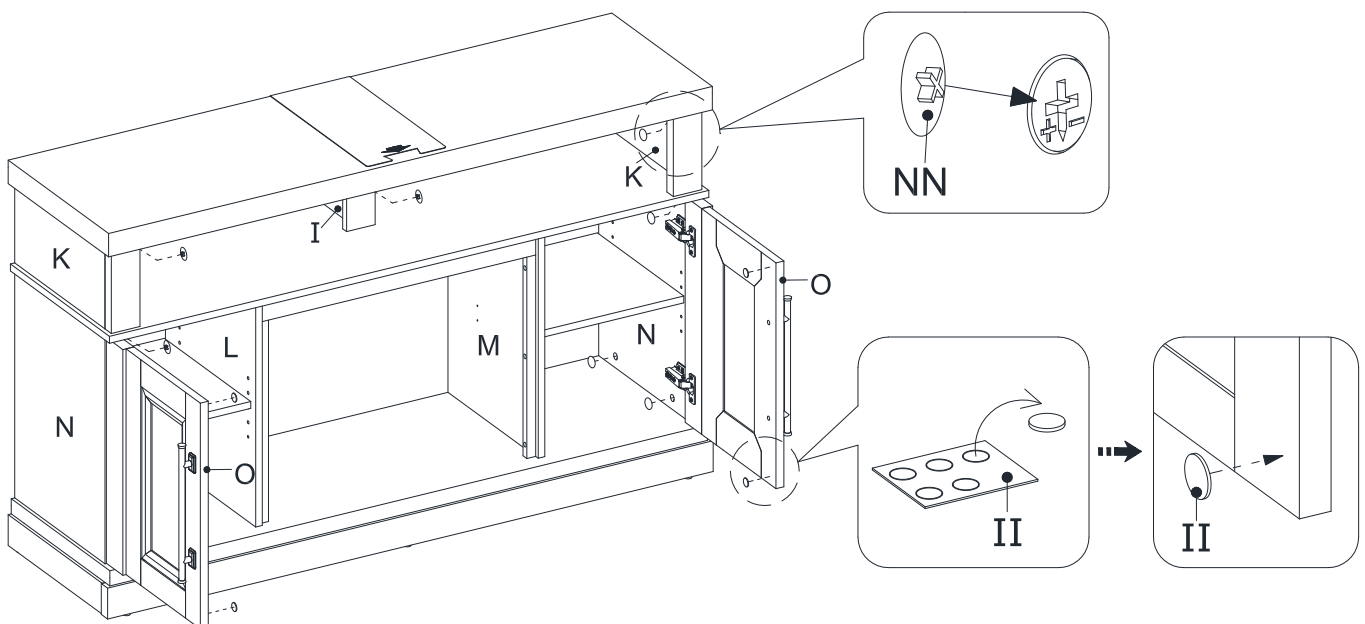
### 25 Fixer les étagères réglables

- Ouvrez la porte (O) et insérez huit supports d'étagère (LL) dans les trous à la hauteur souhaitée à l'intérieur de chaque compartiment latéral. Assurez-vous de placer les quatre supports d'étagère au même niveau afin que l'étagère ne soit pas inclinée. Inclinez et posez les étagères réglables (R) sur les supports d'étagère.



### 26 Insérer les couvercles de verrou à came

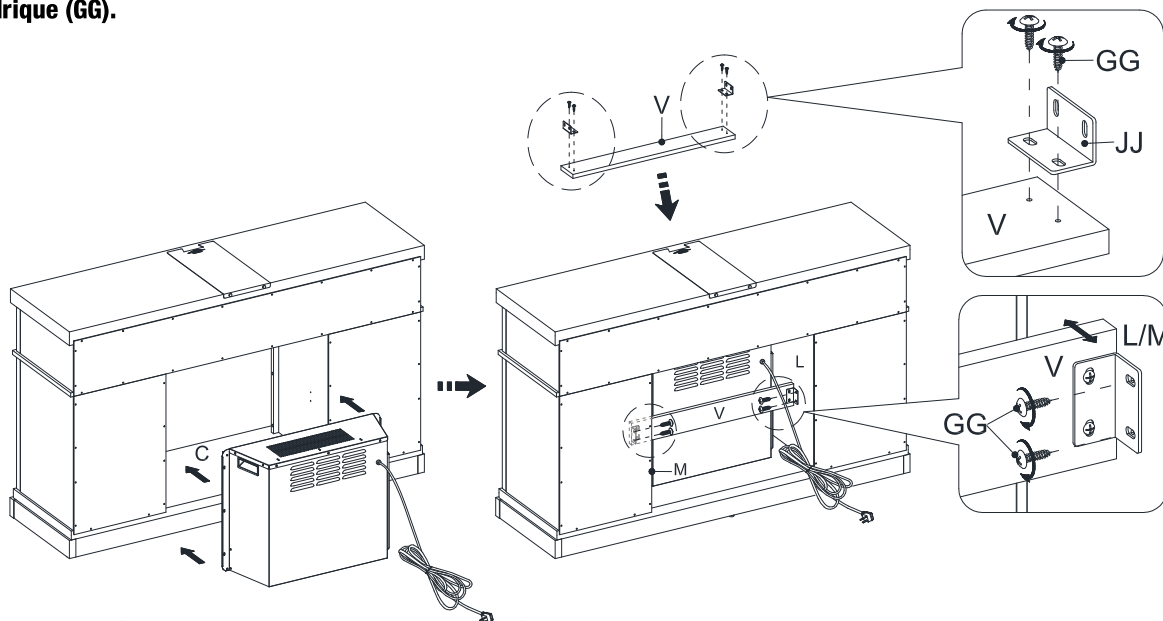
- Insérez les couvercles de verrouillage à came (NN) sur les verrous à came visibles pour cacher les came.
- Collez les pare-chocs en caoutchouc (II) sur les coins extérieurs des portes où se rencontrent les parois (L and M).



## Assemblage (suite)

### 27 Installer l'insert de cheminée

- Soulevez l'insert de cheminée avec précaution dans le dos de la cheminée assemblée et placez-le au centre de l'ouverture. **NE PAS** faire glisser l'insert dans le panneau inférieur (C) pour éviter les rayures.
- Utilisez les trous pilotes comme guide, fixez deux supports métalliques (JJ) sur le support de foyer (V) avec quatre vis à tête cylindrique (GG), assurez-vous que l'angle droit affleure le bord court du support de foyer (V).
- Utilisez les trous pilotes comme guide, fixez le support de foyer (V) entre les parois (L et M) avec quatre vis à tête cylindrique (GG).



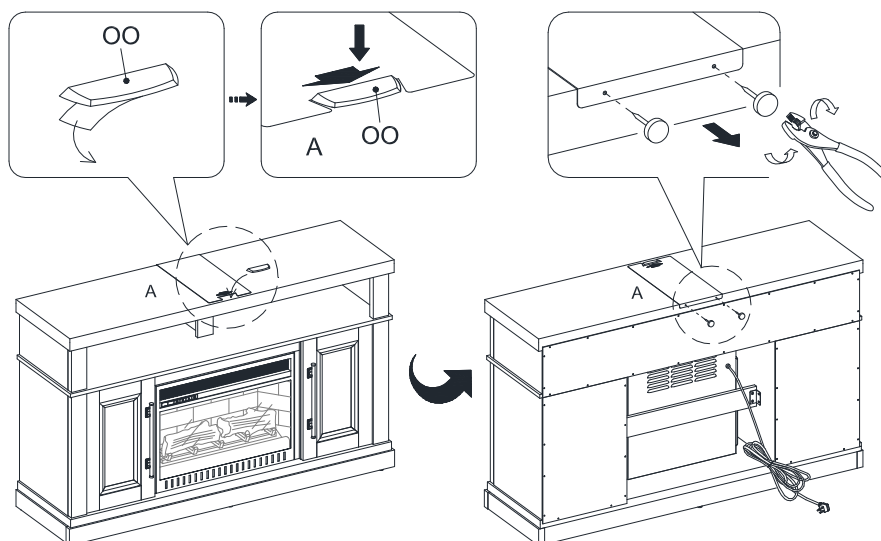
### 28 Installation des bouchons acryliques

- Retirez le papier adhésif du butoir acrylique (OO), puis alignez correctement le butoir acrylique sur la découpe du butoir sur le devant du panneau supérieur (A). Appuyez sur le butoir en acrylique pour faciliter l'adhérence.



**REMARQUE:** Pour éviter que votre téléviseur ne bascule, vous devez installer le bouchon TV acrylique si vous placez un téléviseur à écran plat sur le panneau du haut. Sinon, passez à l'étape suivante.

- À l'arrière du panneau supérieur (A), retirez délicatement les punaises à l'aide d'une pince afin de retirer le butoir en acrylique.



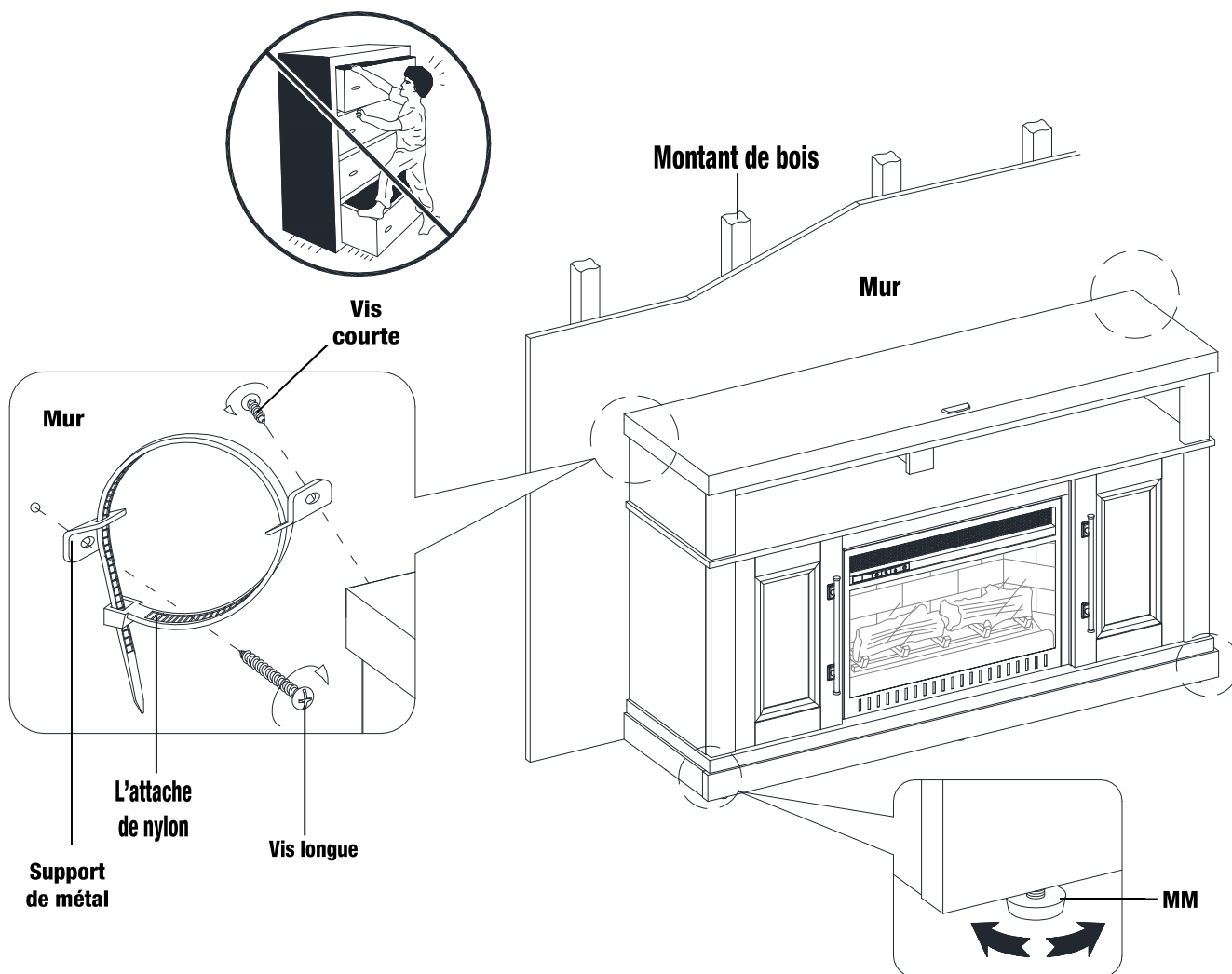
## Assemblage (suite)

# 29 Installation de la quincaillerie antibasculement



**AVERTISSEMENT:** La quincaillerie antibasculement fournie est conçue pour les murs à montants de bois. Elle doit être fixée à un montant de bois. Selon le type de mur, des pièces d'ancrage différentes pourraient être requises. Veuillez communiquer avec votre quincaillier pour obtenir de l'assistance. Les jeunes enfants peuvent se blesser grièvement si le meuble bascule. La trousse antibasculement doit être installée pour prévenir la chute du meuble causant des accidents ou des dommages à l'unité. Les trousse antibasculement ne servent que de dissuasifs et ne remplacent pas une supervision adulte adéquate. Les trousse antibasculement ne résistent pas aux tremblements de terre. Pour plus de sûreté en cas de tremblement de terre, des dispositifs particuliers doivent être achetés et installés séparément.

- Faites-vous aider pour placer le foyer assemblé à l'endroit désiré contre un mur. Si nécessaire, réglez les molettes des niveleurs de sol installés (MM) à la main pour corriger l'inclinaison et le niveau des portes.
- Suivez les instructions imprimées sur le sac en plastique contenant la quincaillerie de retenue basculante pour fixer les dispositifs de retenue à l'appareil et au mur.
- Branchez le foyer au transformateur de puissance. Suivez le manuel d'utilisation de l'insert électrique du foyer pour contrôler votre foyer.



## Entretien

Un crayon à retouche est fourni pour minimiser les petites marques ou éraflures pouvant survenir lors du montage ou de l'expédition.

Entretien de votre meuble:

- Utilisez un tissu doux et propre qui n'égratignera pas la surface lors de l'époussetage.
- Il n'est pas nécessaire d'utiliser de la cire à meubles. Si vous décidez de le faire, appliquez d'abord le produit sur une zone invisible du meuble.
- L'utilisation de solvants, quels qu'ils soient, sur votre meuble peut endommager le fini.
- N'utilisez jamais d'eau pour nettoyer votre meuble, car elle pourrait endommager le fini.
- Utilisez toujours des sous-verre sous les verres de boisson et les pots de fleurs.
- Le liquide renversé doit être essuyé immédiatement. Asséchez le liquide doucement avec un tissu propre et doux. Évitez de frotter.
- Utilisez toujours des sous-plats sous les plats chauds et les assiettes. La chaleur peut provoquer des changements chimiques pouvant causer l'apparition de tâches sur le fini du meuble.
- Si votre meuble est taché ou endommagé, nous vous recommandons de faire appel à un professionnel pour le réparer.
- Vérifiez les boulons/vis périodiquement et serrez-les au besoin.

### ENTRETIEN DE VOTRE MEUBLE EN BOIS

Il est préférable d'installer votre meuble dans un environnement climatisé. Des écarts extrêmes de température et d'humidité peuvent causer le pâlissement, le gauchissement, le rétrécissement et le fendillement du bois. Il est conseillé de mettre le meuble à l'abri de la lumière directe du soleil, car le soleil peut endommager le fini.

Un entretien et un nettoyage appropriés à la maison prolongeront la durée de vie de votre meuble. Suivez ces conseils importants et pratiques pour que votre meuble s'améliore avec l'âge.

### NETTOYAGE DE LA GARNITURE DU FOYER

Nettoyez la garniture de métal avec un chiffon doux humecté avec un produit à base d'huile d'agrumes et polissez avec un chiffon propre et doux. **ÉVITEZ D'UTILISER** un produit de polissage pour le laiton ou un produit d'entretien ménager, car ils endommageraient la garniture de métal. Vous pouvez vous procurer des produits à base d'huile d'agrumes dans les supermarchés ou les quincailleries.



# **StyleWell.<sup>TM</sup>**

**Vous avez des questions ou des problèmes? Certaines pièces sont manquantes?  
Avant de vous rendre au magasin, communiquez avec le service à la clientèle de StyleWell  
de 8 h à 19 h (HNE) du lundi au vendredi, de 9 h à 18 h (HNE) du samedi**

**1-877-527-0313**

**HOMEDEPOT.COM**

**Conservez ce manuel comme référence future.**