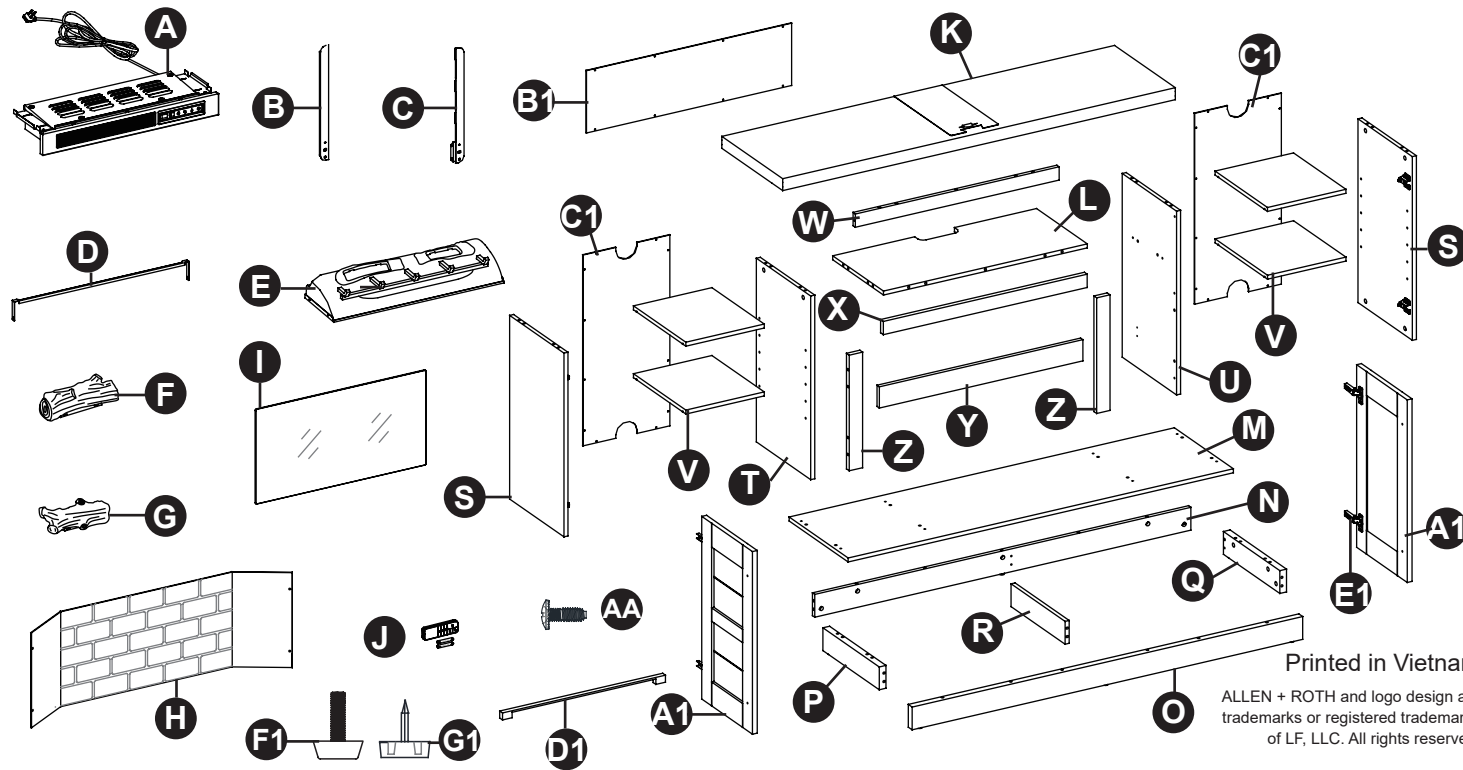


REPLACEMENT PARTS LIST

For replacement parts, call our customer service department at 866-439-9800, 8 a.m. - 8 p.m., EST, Monday - Sunday. You could also contact us at partsplus@lowes.com.

PART	DESCRIPTION	PART#
A	Heater	00FB26-HLA-IR-A
B	Left Upright Arm	00FB-HLA-B
C	Right Upright Arm	00FB-HLA-C
D	Connector Strap	00FB26-HLA-D
E	Ember Bed	00FB26-HLA-E
F	Left Log	00FB26-HLA-F
G	Right Log	00FB26-HLA-G
H	Firebox Wall Panel	00FB26-HLA-HB-LW
I	Firebox Glass	00FB26-HLA-I
J	Remote Control	00RC006B
K	Top Panel	00LWFP58-7-K
L	Media Shelf	00LWFP58-7-L
M	Bottom Panel	00LWFP58-7-M
N	Rear Skirting	00LWFP58-7-N
O	Front Skirting	00LWFP58-7-O
P	Left Skirting	00LWFP58-7-P
Q	Right Skirting	00LWFP58-7-Q
R	Bottom Middle Stretcher	00LWFP58-7-R
S	Side Panel	00LWFP58-7-S
T	Left Partition Panel	00LWFP58-7-T
U	Right Partition Panel	00LWFP58-7-U
V	Adjustable Shelf	00LWFP58-7-V
W	Top Front Molding	00LWFP58-7-W
X	Middle Crossbar	00LWFP58-7-X
Y	Firebox Holder	00LWFP58-7-Y
Z	Middle Trim	00LWFP58-7-Z
A1	Door	00LWFP58-7-A1
B1	Middle Back Panel	00LWFP58-7-B1
C1	Side Back Panel	00LWFP58-7-C1
D1	Door Handle	00LWFP58-7-D1
E1	Door Hinge with Screws	00LWFP58-7-E1
F1	Floor Leveler	00LWFP58-7-F1
G1	Floor Protector	00LWFP58-7-G1
AA	M4 X 10 mm Insert Screw	00FB-HLA-AA
	Complete Hardware	00LWFP58-7-CH

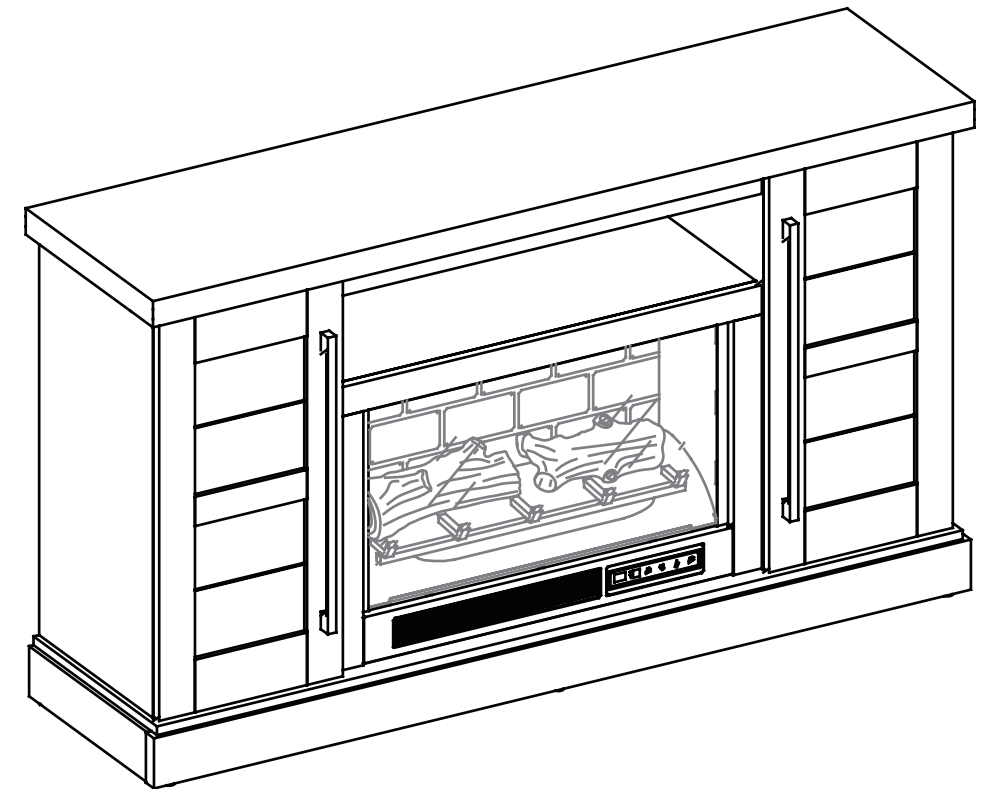


Printed in Vietnam

ALLEN + ROTH and logo design are trademarks or registered trademarks of LF, LLC. All rights reserved.

allen + roth.

welcoming • sophisticated • inspiring



Before you begin  3D-GUIDED INTERACTIVE ASSEMBLY INSTRUCTIONS CAN BE FOUND ON BILT[®]

DOWNLOAD THE FREE APP

ALLEN + ROTH and logo design are trademarks or registered trademarks of LF, LLC. All rights reserved.

ITEM # 5228469

58 in. Electric Fireplace

MODEL # LWFP58-7

Español p. 19

ATTACH YOUR RECEIPT HERE

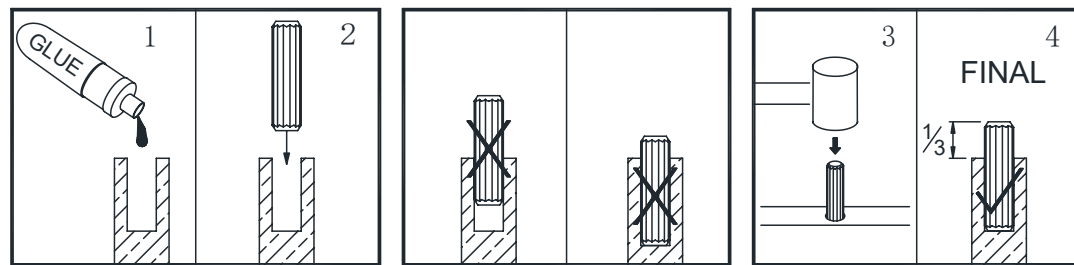
Serial Number _____ Purchase Date _____

Questions, problems, missing parts? Before returning to your retailer, call our customer service department at 866-439-9800, 8 a.m. – 8 p.m., EST, Monday - Sunday. You could also contact us at partsplus@lowes.com.

TABLE OF CONTENTS

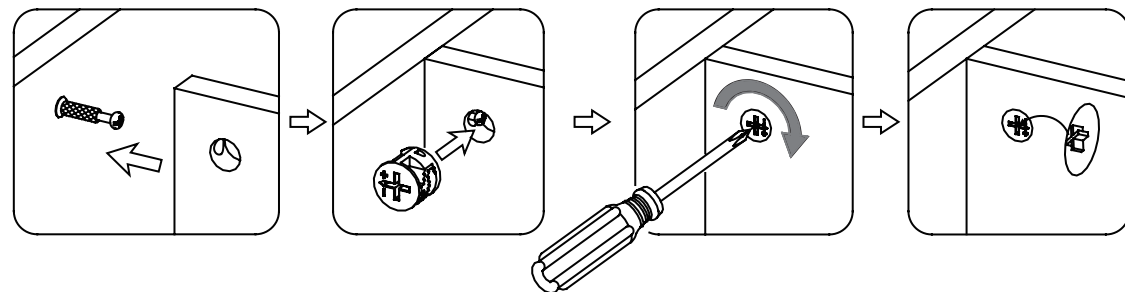
Wood Dowel Installation.....	2
Package Contents.....	3
Hardware Contents.....	4
Safety Information.....	5
Preparation	5
Assembly Instructions.....	6
Care and Maintenance	17
One-Year Warranty	17
Replacement Parts List	18

WOOD DOWEL INSTALLATION



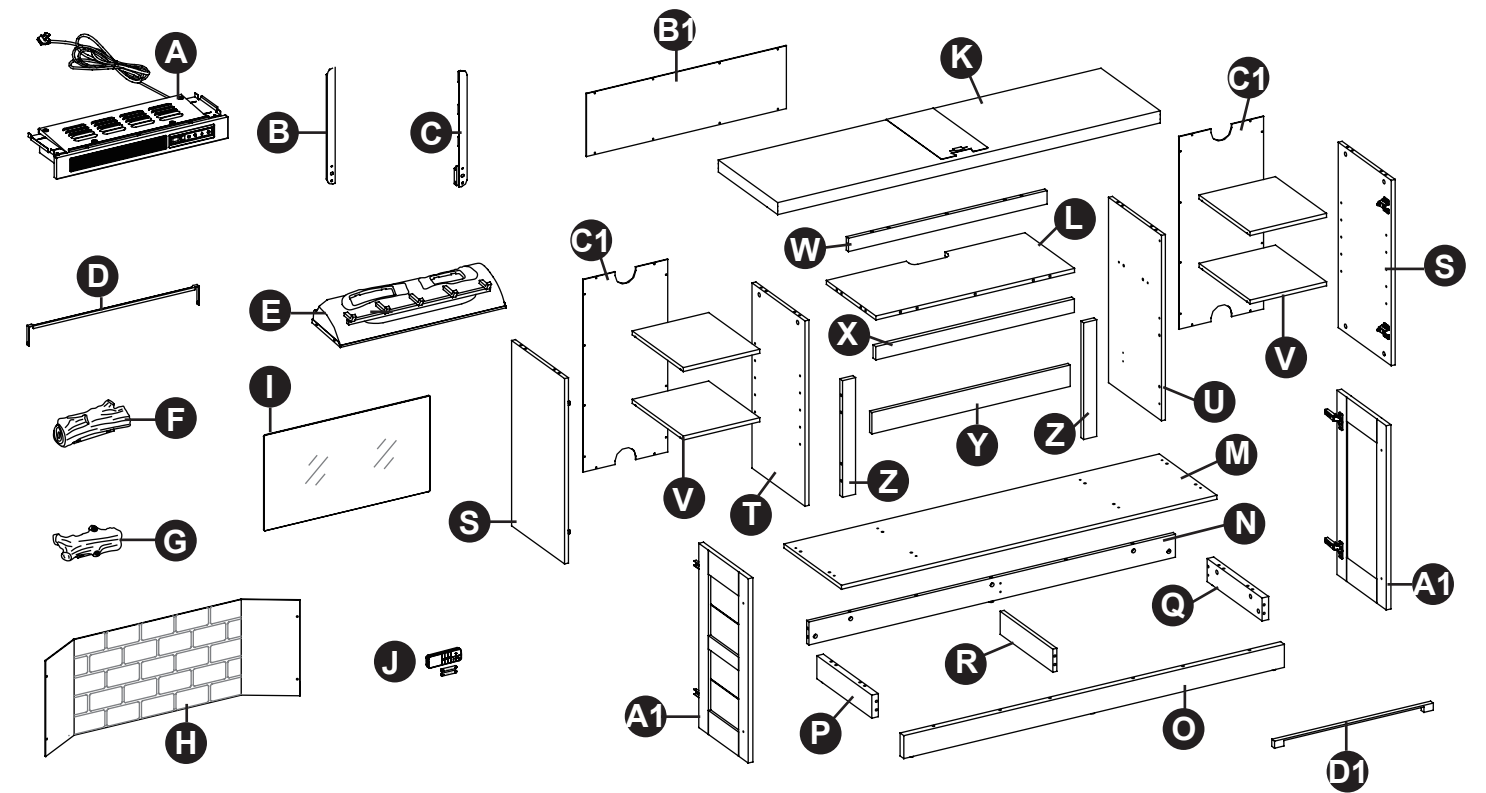
1. Apply glue to each dowel prior to inserting the dowel into the hole. Excess glue can be wiped off with damp cloth.
2. Insert dowel at least half way by tapping lightly with a rubber mallet if necessary.
NOTE: IT IS VERY IMPORTANT TO USE GLUE WITH DOWELS.

CAM LOCK SYSTEM OPERATION



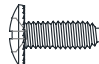




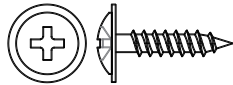
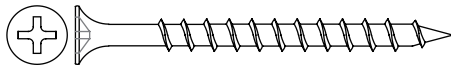

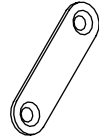
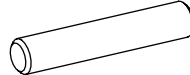
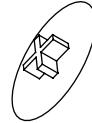
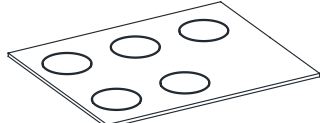
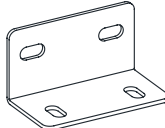

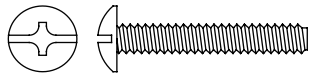


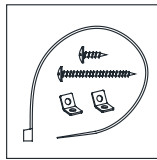
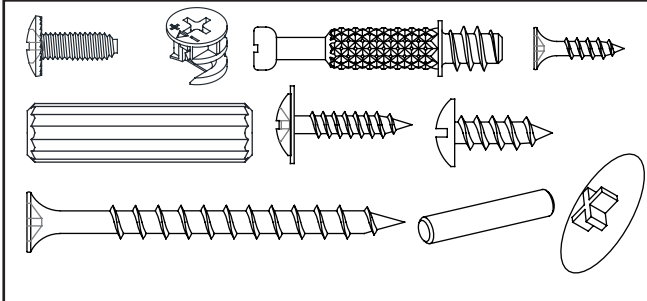
1. Screw the Cam Bolt into the threaded inserts on the panel. Connect both panels together; making sure Cam Bolt goes into the pre-drilled hole on the end of panel for Cam Lock.
2. Insert the Cam Lock into the pre-drilled large hole on the panel. Make sure the arrow on the face of Cam Lock faces out and points towards Cam Bolt.
3. Take a Phillips screwdriver and rotate the Cam Lock clockwise to lock the Cam Bolt in place.
4. Plug the Cam Lock Cover into the cross slot of the Cam Lock to conceal the Cam.

PACKAGE CONTENTS



PART	DESCRIPTION	QUANTITY	PART	DESCRIPTION	QUANTITY
A	Heater	1	P	Left skirting	1
B	Left upright arm	1	Q	Right skirting	1
C	Right upright arm	1	R	Bottom middle stretcher	1
D	Connector strap	1	S	Side panel	2
E	Ember bed	1	T	Left partition panel	1
F	Left log	1	U	Right partition panel	1
G	Right log	1	V	Adjustable shelf	4
H	Firebox wall panel	1	W	Top front molding	1
I	Firebox glass	1	X	Middle crossbar	1
J	Remote control with battery	1	Y	Firebox holder	1
K	Top panel	1	Z	Middle trim	2
L	Media shelf	1	A1	Door	2
M	Bottom panel	1	B1	Middle back panel	1
N	Rear skirting	1	C1	Side back panel	2
O	Front skirting	1	D1	Door Handle	2

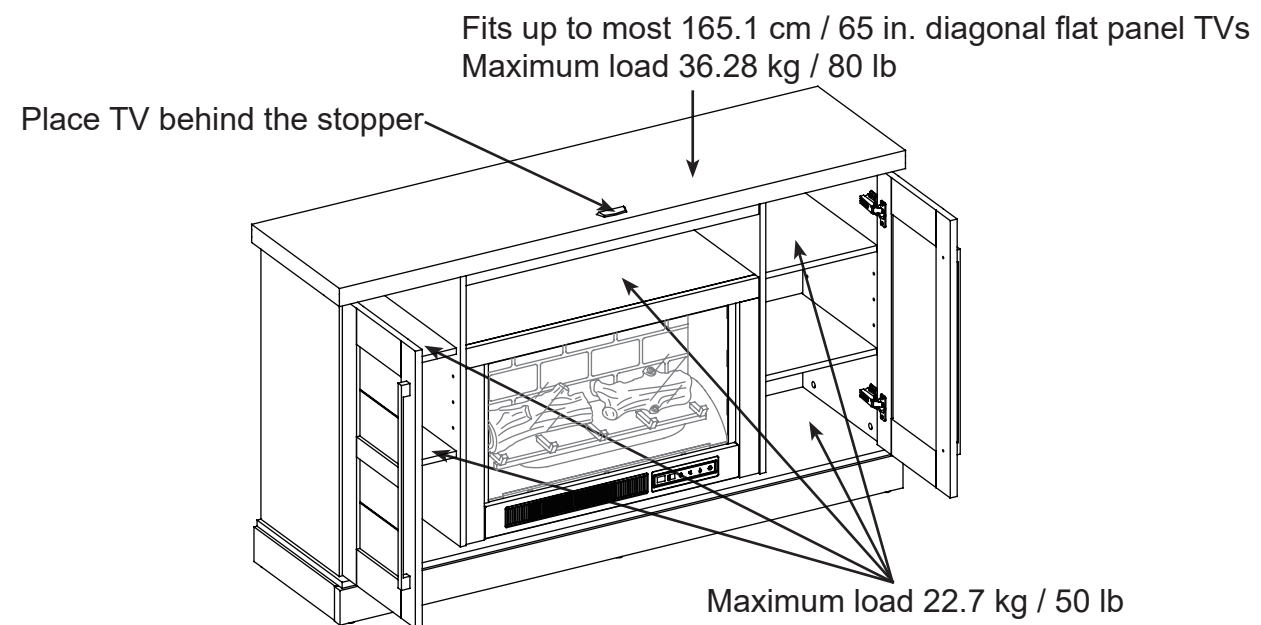
HARDWARE CONTENTS (shown not actual size)

<p>AA</p>  <p>M4 x 10 mm Screw Qty. 10</p>	<p>BB</p>  <p>Cam Lock Qty. 44</p>	<p>CC</p>  <p>Cam Bolt Qty. 44</p>	<p>DD</p>  <p>M8 x 30 mm Wood Dowel Qty. 41</p>
<p>EE</p>  <p>M3.5 x 12 mm Screw Qty. 4</p>	<p>FF</p>  <p>M3.5 x 15 mm Washer Head Screw Qty. 32</p>	<p>GG</p>  <p>M4 x 50 mm Screw Qty. 6</p>	<p>HH</p>  <p>M3.5 x 13 mm Pan Head Screw Qty. 8</p>
<p>II</p>  <p>Straight Bracket Qty. 2</p>	<p>JJ</p>  <p>Shelf Pin Qty. 16</p>	<p>KK</p>  <p>Cam Lock Cover Qty. 12</p>	<p>LL</p>  <p>Rubber Bumper Qty. 4+1 extra</p>
<p>MM</p>  <p>L-shaped Bracket Qty. 2</p>	<p>NN</p>  <p>Glue Qty. 2</p>	<p>OO</p>  <p>Handle Bolt Qty. 4</p>	<p>PP</p>  <p>Acrylic Stopper Qty. 1</p>
<p>QQ</p>  <p>Touch-up Pen Qty. 1</p>	<p>RR</p>  <p>Tipping Restraint Hardware Kit Qty. 2</p>	<p>Extra Hardware</p> 	

! SAFETY INFORMATION

Please read and understand this entire manual before attempting to assemble, operate or install the product.

- Do not allow children to climb or play in or around this product.
- Use this unit for its intended purpose only. Do not use shelves as step ladder.
- To avoid damage, assemble the product on a sturdy, level and protective surface.
- Two people should work together to assemble the unit.
- Make sure all bolts/screws are tightly fastened before the unit is used.
- Check bolts/screws periodically and tighten them if necessary.
- Do not push furniture, especially on carpeted floor. Have someone help you lift the item and place it in its new location. Remove any shelves before moving.



! WARNING

This unit is not intended for use with CRT TVs. Use only with flat panel TVs and audio/video equipment meeting recommended size and weight limits. Never use with larger/heavier than recommended flat panel TVs or equipment. To avoid instability, place flat panel TV in the center of the unit; the base of the television must be able to rest on the supporting surface of the unit without over-hanging the edges. Improperly positioned flat panel TVs, or flat panel TVs or other equipment that exceed recommended size and weight limits could fall off or break the unit, causing possible serious injury.

PREPARATION

Before beginning assembly of product, make sure all parts are present. Compare parts with package contents list and hardware contents list. If any part is missing or damaged, do not attempt to assemble the product.

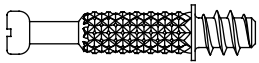
Estimated Assembly Time: 100 minutes

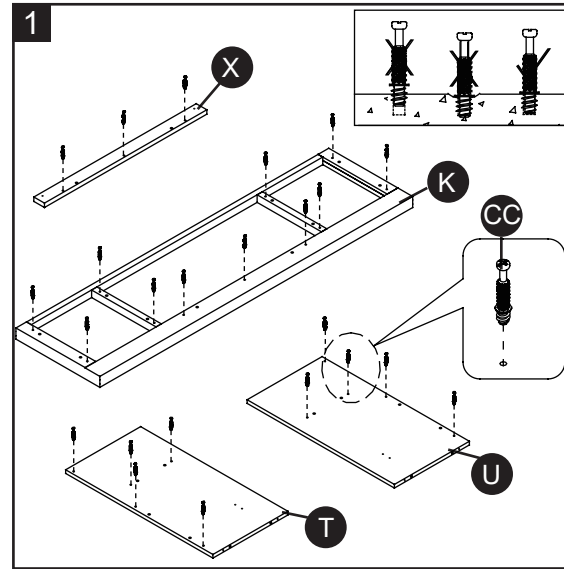
Tools Required for Assembly (not included): Phillips screwdriver, power drill, 1/8 in. drill bit, marking pencil and hammer.

ASSEMBLY INSTRUCTIONS

- 1a. Unpack the unit and confirm that you have all the hardware and required parts. Assemble the unit on a carpeted floor or the empty carton to avoid any scratch.
- 1b. Securely screw the cam bolts (CC) into the designated small holes on the top panel (K), middle crossbar (X) and partition panels (T and U). Fully tighten with a Phillips screwdriver.

Hardware Used

CC Cam Bolt  x 24



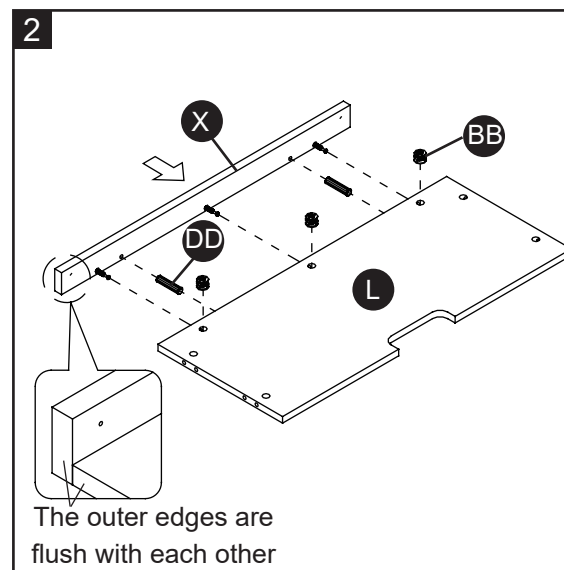
- 2a. Glue two wood dowels (DD) into the inner holes of media shelf (L).
- 2b. Orient and attach the middle crossbar (X) to the media shelf (L) by engaging 3 cam locks (BB).

Hardware Used

BB Cam Lock  x 3

DD Wood Dowel  x 2

NN Glue  x 1



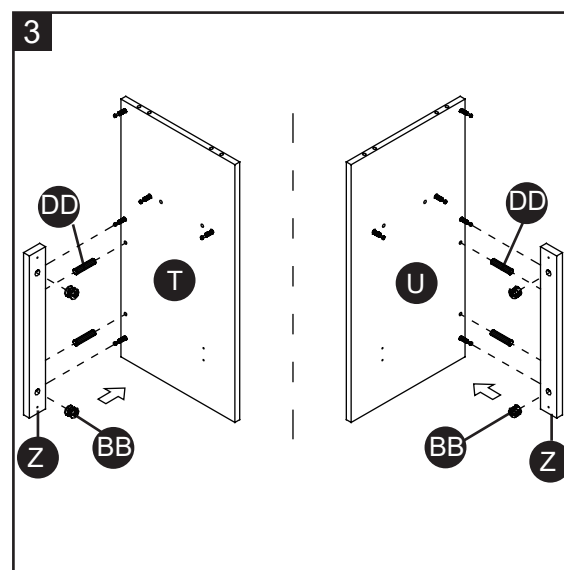
- 3a. Glue two wood dowels (DD) into the inner holes of each middle trim (Z).
- 3b. Attach the middle trims (Z) to the partition panels (T and U) with 2 cam locks (BB) respectively.

Hardware Used

BB Cam Lock  x 4

DD Wood Dowel  x 4

NN Glue  x 1



ASSEMBLY INSTRUCTIONS

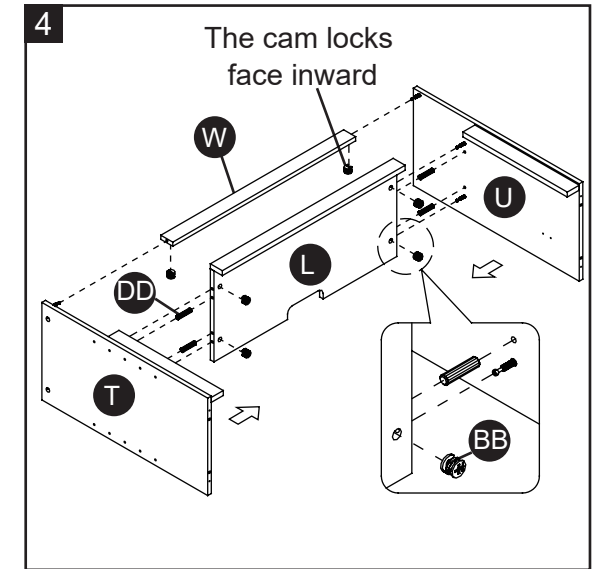
- 4a. Glue four wood dowels (DD) into the inner holes of the media shelf (L) at both ends.
- 4b. Orient and attach the top front molding (W) and media shelf (L) between the partition panels (T and U) by engaging 6 cam locks (BB).

Hardware Used

BB Cam Lock  x 6

DD Wood Dowel  x 4

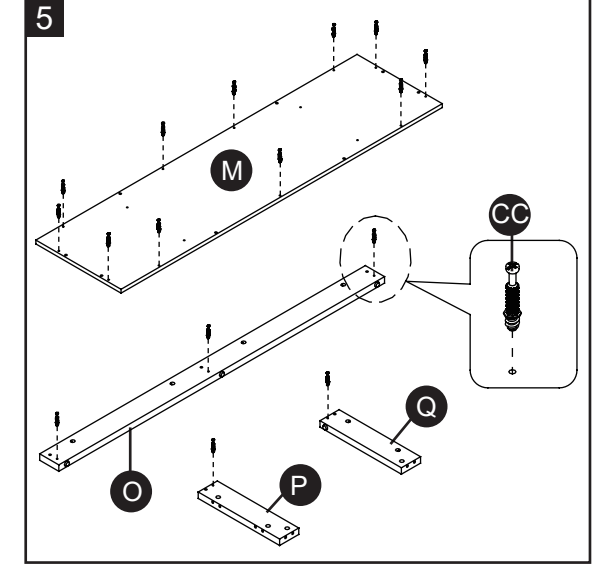
NN Glue  x 1



5. Securely screw the cam bolts (CC) into the designated small holes on the bottom panel (M) and skirting boards (O, P and Q). Fully tighten with a Phillips screwdriver.

Hardware Used

CC Cam Bolt  x 16



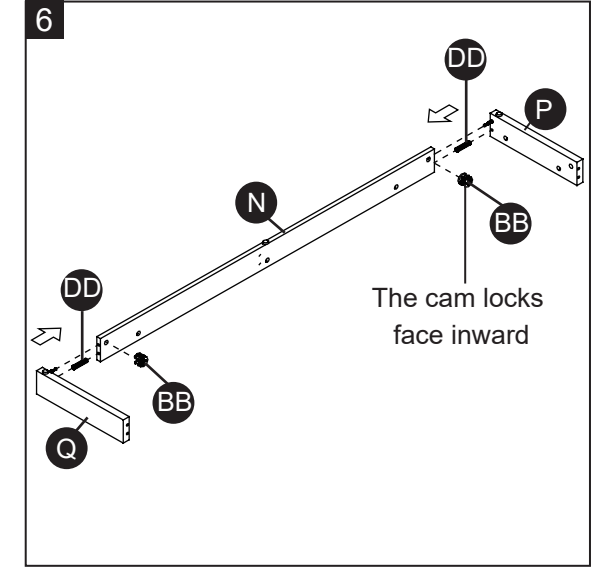
6. Glue two wood dowels (DD) into the designated holes of rear skirting (N) at both ends and attach it between the side skirtings (P and Q) by engaging 2 cam locks (BB).

Hardware Used

BB Cam Lock  x 2

DD Wood Dowel  x 2




NN Glue  x 1



ASSEMBLY INSTRUCTIONS

7. Glue one wood dowel (DD) into the designated hole on the bottom middle stretcher (R) and attached it to the front skirting (O) by engaging one cam lock (BB).





Hardware Used

BB Cam Lock		x 1
DD Wood Dowel		x 1
NN Glue		x 1

- 8a. Glue two wood dowels (DD) to the end side holes on both side skirtings (P and Q) and attach them to the front skirting (O) by engaging two cam locks (BB).


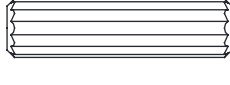

- 8b. Insert two 50 mm screws (GG) through the rear skirting (N) and securely screw into the bottom middle stretcher (R).

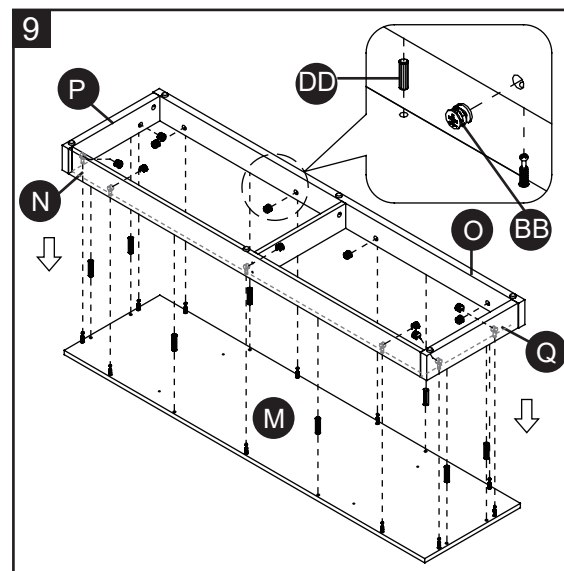
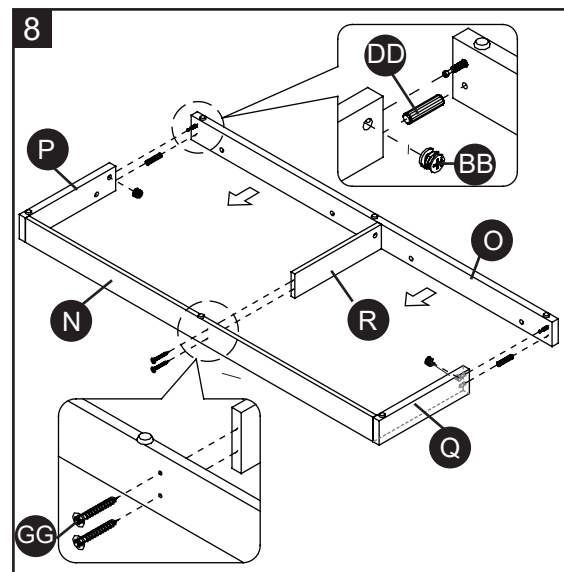
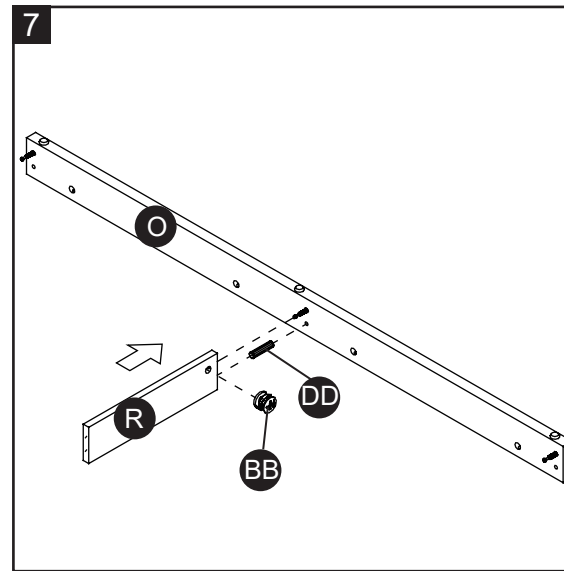
Hardware Used

BB Cam Lock		x 2
DD Wood Dowel		x 2
GG M4 x 50 mm screw		x 2
NN Glue		x 1

9. Glue the wood dowels (DD) into the inner holes on the skirting boards (N, O, P and Q) and attach them to the bottom panel (M) by engaging 11 cam locks (BB).

Hardware Used

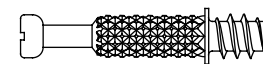
BB Cam Lock		x 11
DD Wood Dowel		x 8
NN Glue		x 1



ASSEMBLY INSTRUCTIONS

- 10a. Ask for assistance to turn the base upright.
10b. Securely screw four cam bolts (CC) into the designated small holes on the bottom panel (M). Fully tighten with a Phillips screwdriver.

Hardware Used

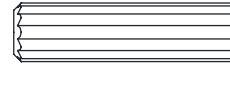

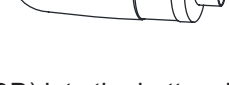
CC Cam Bolt		x 4
--------------------	---	-----

- 11a. Glue four wood dowels (DD) into the bottom inner holes on the partition panels (T and U).

- 11b. Align the large holes on the bottom panel (M) with the inserted dowels on the partition panels (T and U) and press them together.

- 11c. Insert four 50 mm screws (GG) through the mounting holes on the bottom panel (M) and securely screw into the partition panels (T and U).


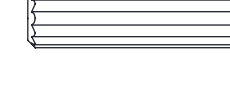

Hardware Used

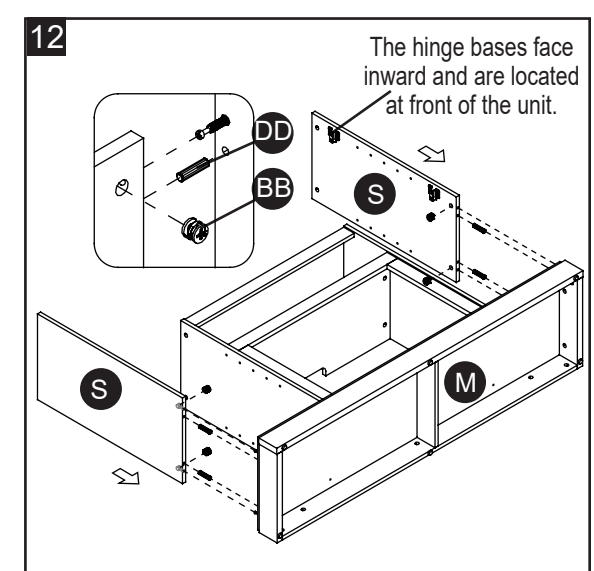
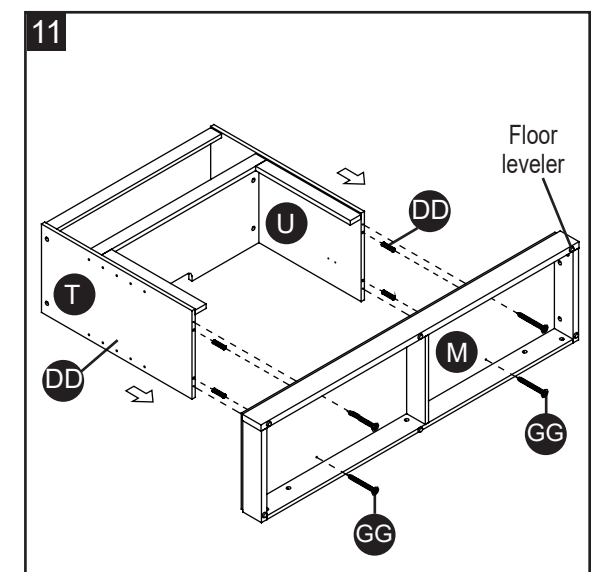
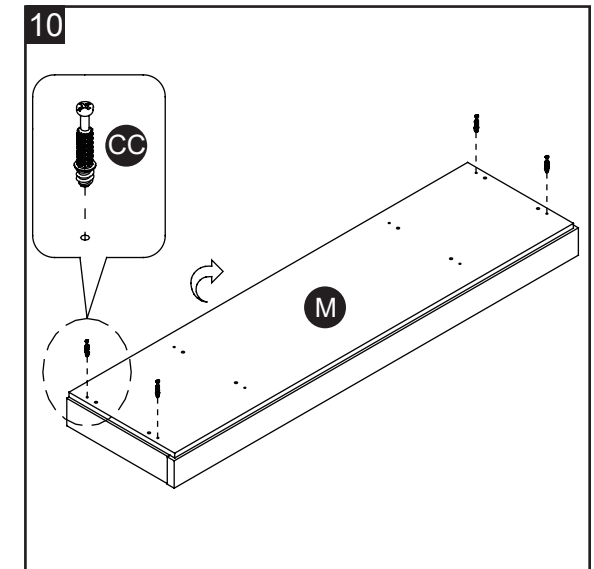
DD Wood Dowel		x 4
GG M4 x 50 mm screw		x 4
NN Glue		x 1

- 12a. Glue four wood dowels (DD) into the bottom inner holes on the side panels (S) as shown.

- 12b. Orient and attach the side panels (S) to the bottom panel (M) by engaging four cam locks (BB).

Hardware Used




BB Cam Lock		x 4
DD Wood Dowel		x 4
NN Glue		x 1



ASSEMBLY INSTRUCTIONS

- 13a. Glue ten wood dowels (DD) to the top inner holes of the vertical panels (S, T and U) and the top front molding (W).
- 13b. Ask for assistance to position the top panel (K) onto the inserted wood dowels (DD) and attach it into place by engaging 11 cam locks (BB).
- 13c. Now, go back and securely tighten all the cam locks and screws. Make sure all the parts are tight and there are no gaps between the parts. This will help keep the unit square.

Hardware Used

BB	Cam Lock		x 11
DD	Wood Dowel		x 10
NN	Glue		x 1

- 14a. Ask for assistance to flip around the previous assembly at its front edges.
- 14b. Pick up the middle back panel (B1) and align the pre-drilled holes against the upper long edge with the pilot holes on the back of top panel (K). Fasten it in place with the provided washer head screws (FF).
- 14c. Using the pilot holes as a guide, align and attach the side back panels (C1) to the mantel frame with the washer head screws (FF).


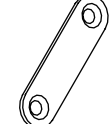
NOTE: We recommend attaching back panel with the screws at the corners first.

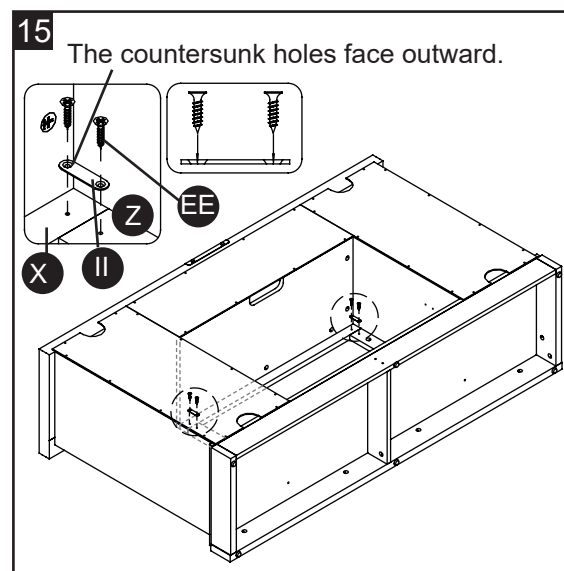
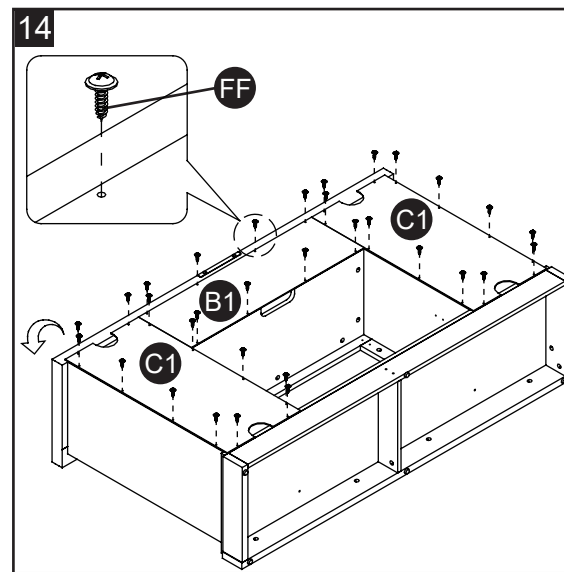
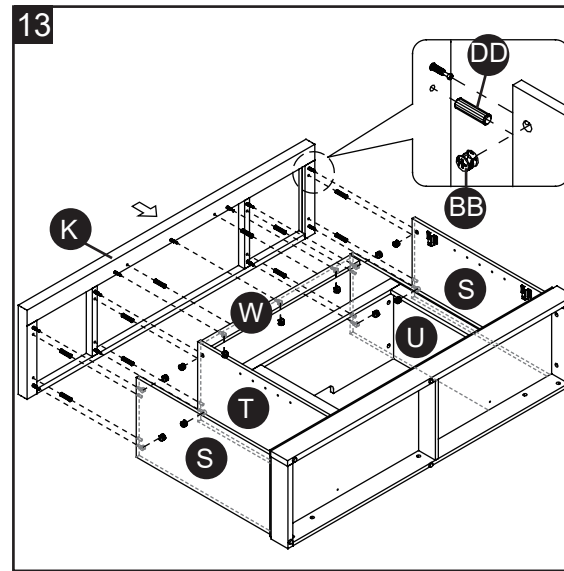
Hardware Used

FF	Washer Head Screw		x 32
-----------	-------------------	---	------

15. Using the pilot holes as a guide, attach two straight brackets (II) at the joints where the middle crossbar (X) meets the middle trims (Z) with four 12mm screws (EE).

Hardware Used

EE	M3.5 x 12 mm Screw		x 4
II	Straight Bracket		x 2

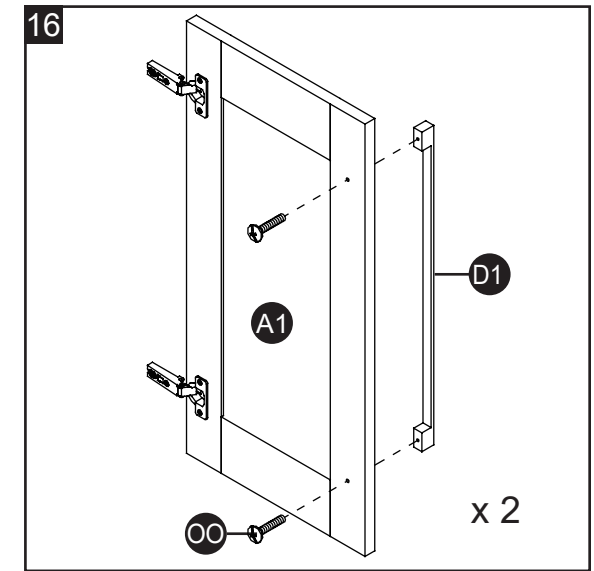


ASSEMBLY INSTRUCTIONS

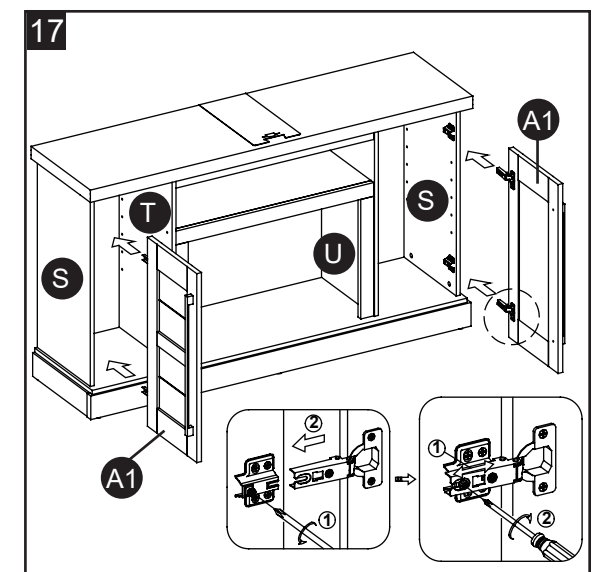
16. Attach one handle (D1) to the front side of each door (A1) with two handle bolts (OO).

Hardware Used

OO	Handle Bolt		x 4
-----------	-------------	---	-----



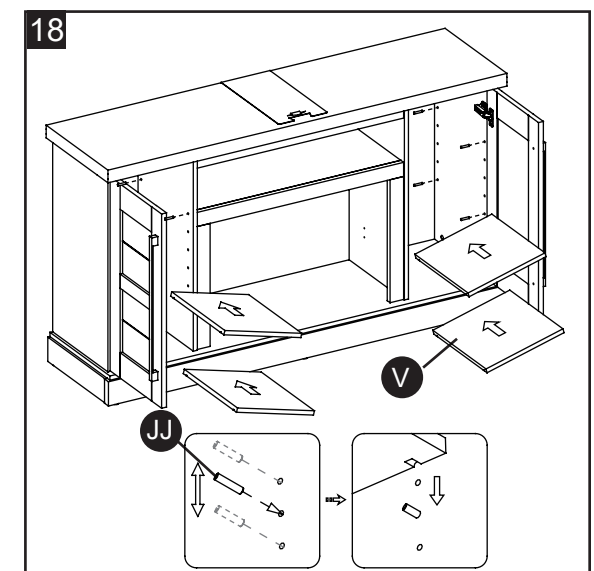
- 17a. Ask for assistance to stand the unit upright.
- 17b. Pick up one door (A1) and attach the extended hinge arms to the hinge bases installed on the left side panel (S). Loosen the bolt on the back of the hinge base for an easy fit. Align and insert the "U" slot on the hinge arm under the bolt head on the back of the hinge base. Make sure that both door hinges engage and function properly. Tighten the bolt on the hinge base to lock the hinges in place.
- 17c. Repeat the same process to attach the other door (A1) to the other side panel (S).
- 17d. Open and close the doors to make sure they are aligned and shut correctly. If necessary, adjust the screws for a good fit. (Refer to the hinge sticker on the door for adjustment).



18. Insert eight shelf pins (JJ) into the desired holes inside each side compartment. Make sure you place the four shelf supports at the same level to level the shelf. Tilt and rest the adjustable shelves (V) onto the shelf pins (JJ).

Hardware Used

JJ	Shelf Pin		x 16
-----------	-----------	---	------

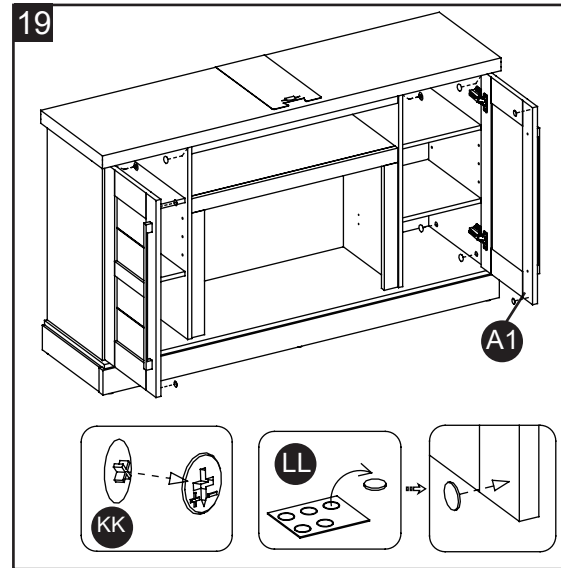


ASSEMBLY INSTRUCTIONS

- 19a. Put the cam lock covers (KK) onto the visible cam locks to conceal the cams.
 19b. Stick the rubber bumpers (LL) on the outer corners of doors where the partition panels (T and U) are contact with .

Hardware Used

- KK** Cam Lock Cover x 12
LL Rubber Bumper x 4



Installing the fireplace insert

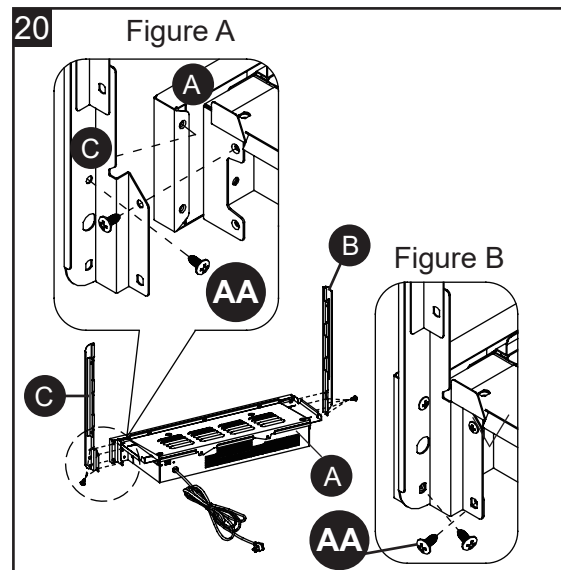
IMPORTANT NOTE: Use hand screwdriver, not power driver to assemble fireplace insert. See BILT for video instructions.

- 20a. See figure A: Fasten upper 2 screws (AA) through the upright arm (C) into the heater (A) until tight.
 20b. See figure B: Fasten lower 2 screws (AA) into the upright arm (C) until tight.
 20c. Fully tighten all 4 screws (AA) one final time.
 20d. Repeat the same process with upright arm (B).

WARNING: Do not lift or transport the heater by using the upright arms.

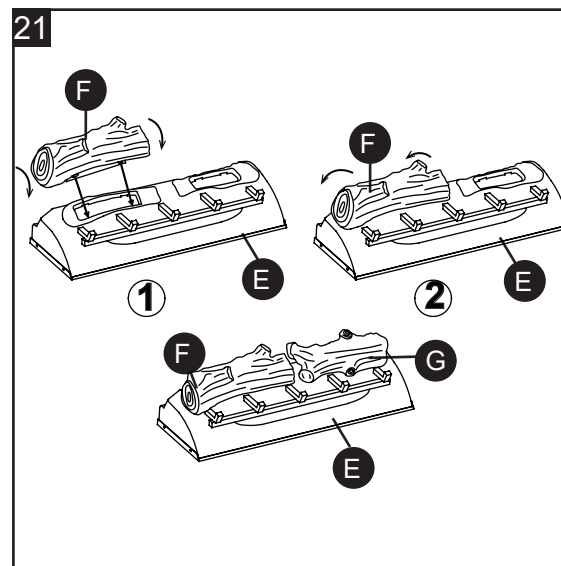
Hardware Used

- AA** M4 x 10 mm Screw x 8



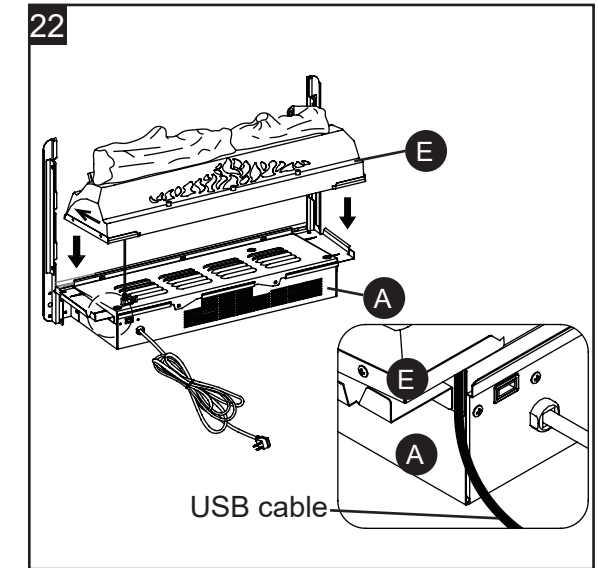
IMPORTANT: Carefully follow the 2 steps below for inserting each log.

- 21a. Install left log (F) into left hole of ember bed (E) by inserting front edge of base of the log into front notches of ember bed hole.
 21b. Then tilt the log back to insert the rear edge of the log base into rear notches of ember bed hole (press down log firmly to lock into position).
 21c. Repeat the above process for the right log (G).

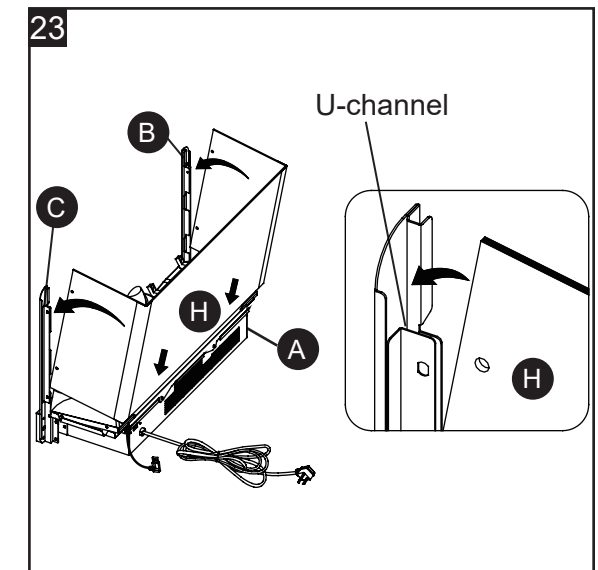


ASSEMBLY INSTRUCTIONS

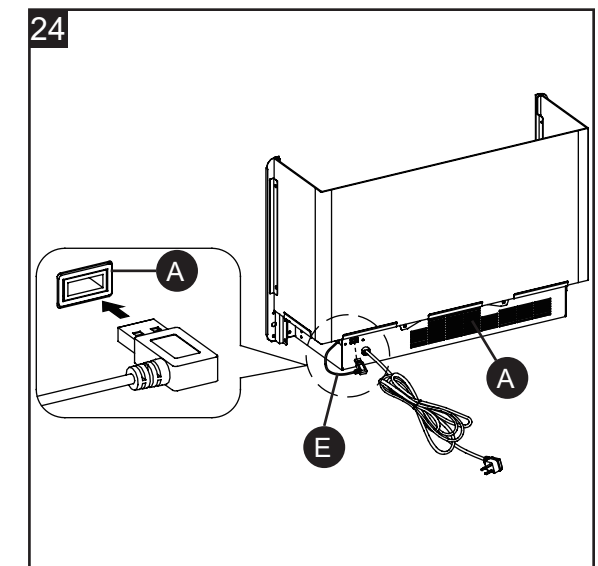
- 22a. Set the ember bed (E) onto the heater (A) as shown.
 22b. Push ember bed forward against the front flange of heater.
 22c. Position the USB cable as shown.



- 23a. Fold the wall panel (H) as shown. Then position yourself at back side of heater (A).
 23b. Hold wall panel (H) at the angle shown below and insert lower back edge into metal slots on back of heater (A).
 23c. Tilt wall panel (H) forward until bottom corner inserts into lower U-channels on both upright arms (B and C).
 23d. Continue to tilt wall panel (H) forward until the top corner inserts into upper U-channels on both upright arms (B and C).

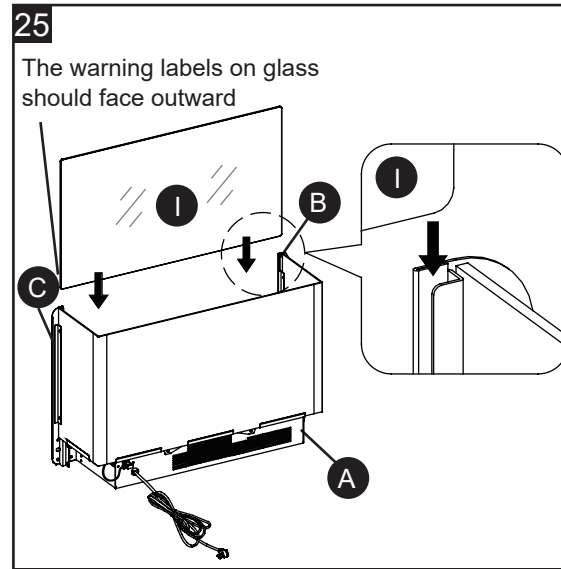


24. Fully plug the USB connector of the ember bed (E) into the back port of heater (A).

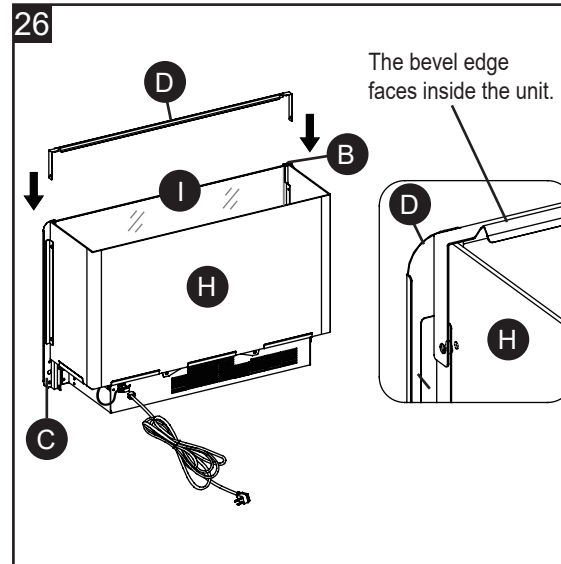


ASSEMBLY INSTRUCTIONS

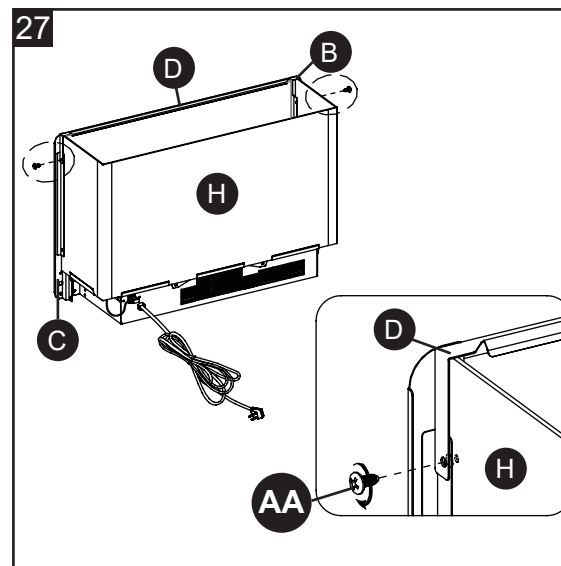
25. Slide the glass (I) into the inner U-channels on both upright arms (B and C) until the glass sits onto the heater (A). If needed, push top of upright arms in or out to accommodate glass. Make sure the top of the glass (I) is flush with the top of both upright arms (B and C).



26. Position top connector strap (D) over the glass (I) and upright arms (B and C). Follow orientation shown below.



27. Fasten connector strap (D) to both upright arms (B and C) using two screws (AA) as show below. Holes must be in line for screw to pass through.

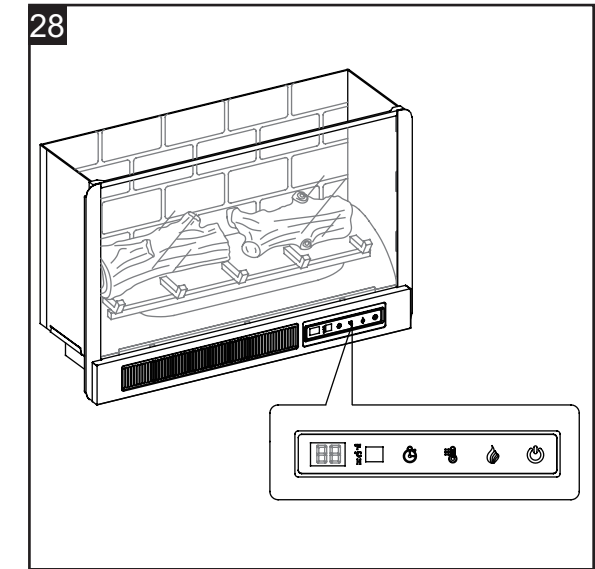


Hardware Used

- AA** M4 x 10 mm Screw  x 2

ASSEMBLY INSTRUCTIONS

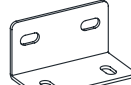

28. The firebox is now ready for the next assembly step.



Installing the fireplace insert

- 29a. Lift the fireplace insert carefully into the back of the assembled mantel and centre it in the opening.
 29b. Use the pilot holes as a guide, fasten two L-shaped brackets (MM) onto the firebox holder (Y) with four pan head screws (HH). Make sure that the right-angle side of the bracket is flush with the short edge of firebox holder (Y).
 29c. Fasten the firebox holder (Y) between the partition panels (T and U) with four pan head screws (HH), using the pilot holes as a guide.

Hardware Used


- MM** L-shaped Bracket  x 2
HH Pan Head Screw  x 8

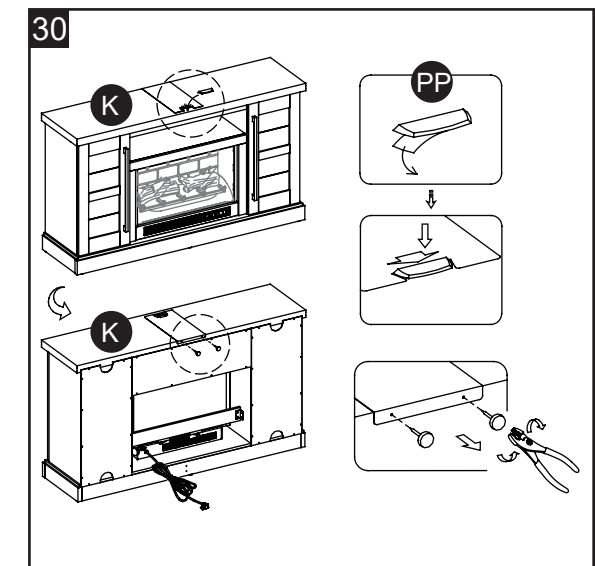
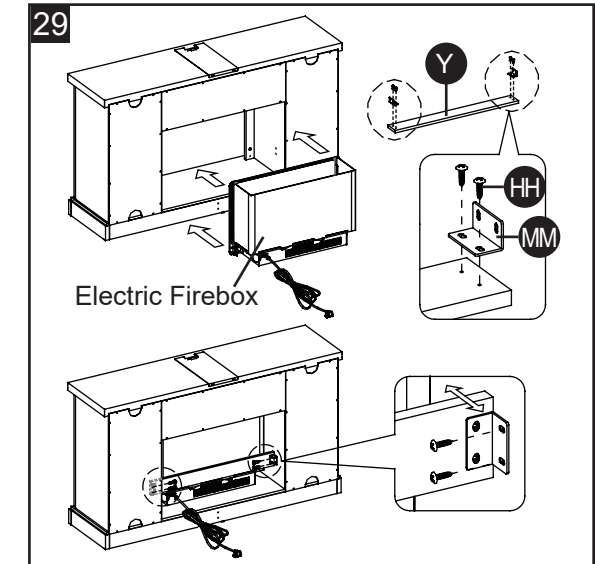
NOTE: To prevent your TV from tipping, you must install the acrylic TV stopper if you place a flat panel television on the top panel. Otherwise, skip to step "30b".

- 30a. Remove the paper backing from acrylic stopper (PP), then properly align the acrylic stopper into the cut-out on the acrylic stopper template on the front of the top panel (K). Press down on the acrylic stopper to help adhesion.
 30b. At the back of top panel (K), grip the head of plastic tack with pliers, with twisting motion pull tack loose to remove the acrylic stopper template.

NOTE: You must install the acrylic TV stopper to prevent TV from tipping when placing your flat panel television on the top panel.

Hardware Used

- PP** Acrylic Stopper  x 1

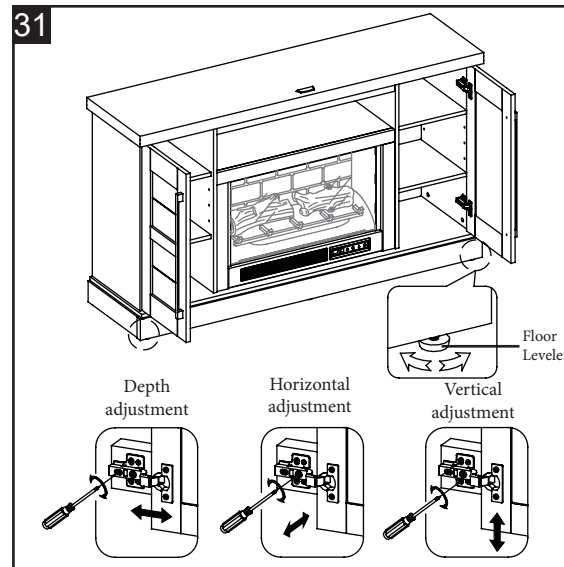


ASSEMBLY INSTRUCTIONS

Door Adjustment

NOTE: Open and close the doors and adjust the gaps to make sure they are aligned and shut correctly.

- 31a. Adjust the pre-attached floor levelers to correct the tilting and level the doors.
- 31b. Loosen the hinge fasteners and adjust properly for a good fit.



Installing the tipping restraint hardware

32a. Position the assembled fireplace at the desired location against a wall.

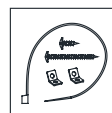
32b. Now, follow the instructions printed on the plastic bag containing the Tipping Restraint Hardware to attach the tip-over restraints to the unit and the wall.

NOTE: Young children can be seriously injured by tipping furniture. You must install the tipping restraint hardware with the unit to prevent the unit from tipping, causing any accidents or damage. The tipping restraints are intended only as a deterrent, they are not a substitute for proper adult supervision. The tipping restraints are not earthquake restraints. If you wish to add the extra security of earthquake restraints, they must be purchased and installed separately.

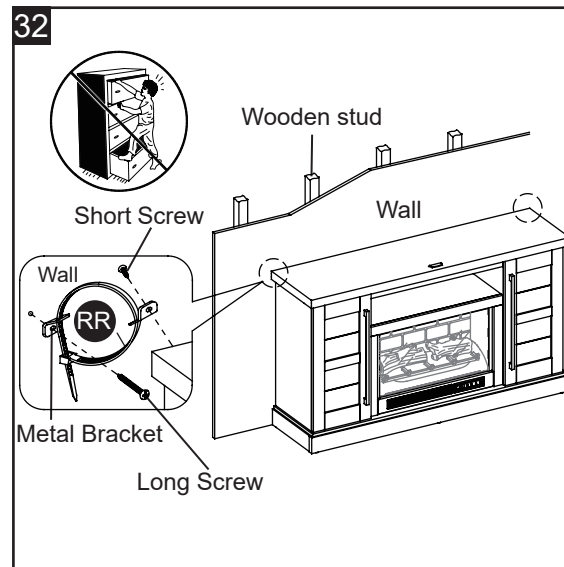
32c. Connect the fireplace to the power transformer. Follow the operating manual for the electric fireplace insert to control your fireplace.

Hardware Used

RR Tipping Restraint Hardware Kit



x 2



CARE AND MAINTENANCE

A touch-up pen has been provided to minimize the small nicks or scratches that may occur during assembly or shipping.

- To clean and care for your furniture:
- Use a soft, clean cloth that will not scratch the surface when dusting.
- Use of furniture polishes is not necessary. Should you choose to use polishes, test first in an inconspicuous area.
- Using solvents of any kind on your furniture may damage the finish.
- Never use water to clean your furniture as it may cause damage to the finish.
- Always use coasters under beverage glasses and flowerpots.
- Liquid spills should be removed immediately. Using a soft clean cloth, blot the spill gently. Avoid rubbing.
- Always use protective pads under hot dishes and plates. Heat can cause chemical changes that may create spotting within the furniture finish.
- Stains or marks from crayons or ink markers will be difficult to remove.
- In the event that your furniture is stained or otherwise damaged during use, we recommend that you call a professional to repair your furniture.
- Check bolts/screws periodically and tighten them if necessary.

CARING FOR WOOD FURNITURE

- It is best to keep your furniture in a climate-controlled environment. Extreme temperature and humidity changes can cause fading, warping, shrinking and splitting of wood. It is advised to keep furniture away from direct sunlight as sun may damage the finish.
- Proper care and cleaning at home will extend the life of your purchase. Following these important and helpful tips will enhance your furniture as it ages.

CLEANING THE FIREPLACE TRIM

Clean the metal trim using a soft cloth, slightly dampened with citrus oil based product and buff with a clean soft cloth. DO NOT use brass polish or household cleaners as these products will damage the metal trim. Citrus oil based products can be obtained at supermarkets or hardware stores.

ONE-YEAR LIMITED WARRANTY

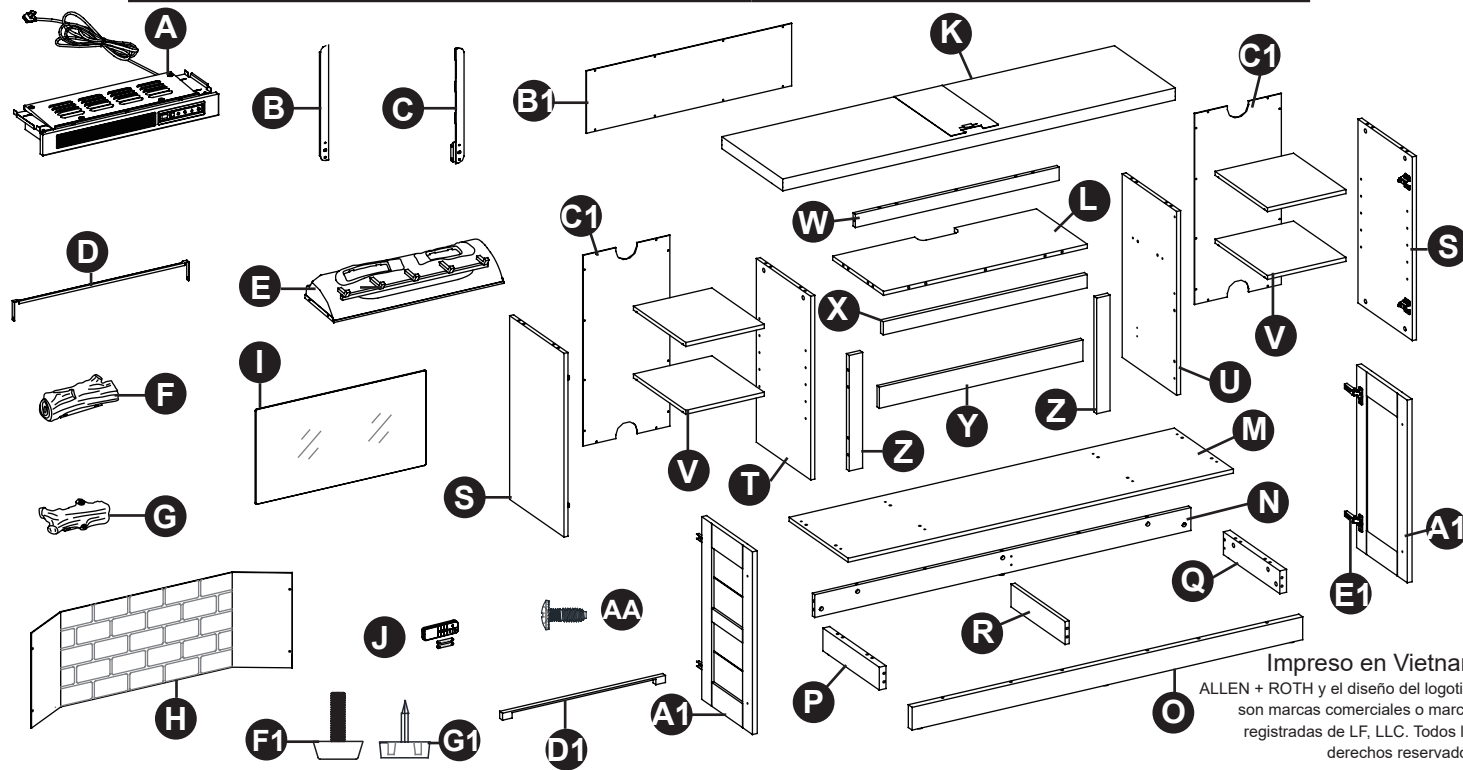
This product is warranted to the original purchaser. If there is a failure in this unit due to defects in materials or workmanship, the manufacturer will repair or replace this item at our discretion without charge. Warranty is void if product has been assembled incorrectly, misused, abused by overloading, altered in any way or damaged due to accident. This warranty is not transferable and does not cover chipping, flaking, scratches, rust, dents, or other damages to the surfaces of this product. Responsibility of the manufacturer is limited to repair or replacement of this product. The manufacturer is not responsible for consequential, incidental, or other damages or losses resulting from product failure.

This warranty is in lieu of all other expressed warranties. Some states do not allow the exclusion or limitation of incidental or consequential damages, so the above limitation may not apply to you. This warranty gives you specific legal rights and you may have other rights which vary from state to state.

LISTA DE PIEZAS DE REPUESTO

Para obtener piezas de repuesto, llame a nuestro Departamento de Servicio al Cliente al 866-439-9800, de lunes a domingo de 8 a.m. a 8 p.m., hora estándar del Este. También puede ponerse en contacto con nosotros en partsplus@lowes.com.

PIEZA	DESCRIPCIÓN	PIEZA #
A	Calentador	00FB26-HLA-IR-A
B	Brazo vertical izquierdo	00FB-HLA-B
C	Brazo vertical derecho	00FB-HLA-C
D	Correa del conector	00FB26-HLA-D
E	Lecho de brasas	00FB26-HLA-E
F	Leño izquierdo	00FB26-HLA-F
G	Leño derecho	00FB26-HLA-G
H	Panel de pared de la cámara de combustión	00FB26-HLA-HB-LW
I	Vidrio de la cámara de combustión	00FB26-HLA-I
J	Control remoto	00RC006B
K	Panel superior	00LWFP58-7-K
L	Repisa para sistema de audio y TV	00LWFP58-7-L
M	Panel inferior	00LWFP58-7-M
N	Travesaño posterior	00LWFP58-7-N
O	Travesaño delantero	00LWFP58-7-O
P	Travesaño izquierdo	00LWFP58-7-P
Q	Travesaño derecho	00LWFP58-7-Q
R	Extensor central inferior	00LWFP58-7-R
S	Panel lateral	00LWFP58-7-S
T	Panel de separación izquierdo	00LWFP58-7-T
U	Panel de separación derecho	00LWFP58-7-U
V	Repisa ajustable	00LWFP58-7-V
W	Moldura frontal superior	00LWFP58-7-W
X	Barra transversal central	00LWFP58-7-X
Y	Soporte de la cámara de combustión	00LWFP58-7-Y
Z	Reborde central	00LWFP58-7-Z
A1	Puerta	00LWFP58-7-A1
B1	Panel posterior central	00LWFP58-7-B1
C1	Panel posterior lateral	00LWFP58-7-C1
D1	Manija de la puerta	00LWFP58-7-D1
E1	Bisagra de puerta con tornillos	00LWFP58-7-E1
F1	Nivelador de piso	00LWFP58-7-F1
G1	Protector para pisos	00LWFP58-7-G1
AA	Tornillo de accesorio M4 X 10 mm	00FB-HLA-AA
	Todos los aditamentos	00LWFP58-7-CH



36

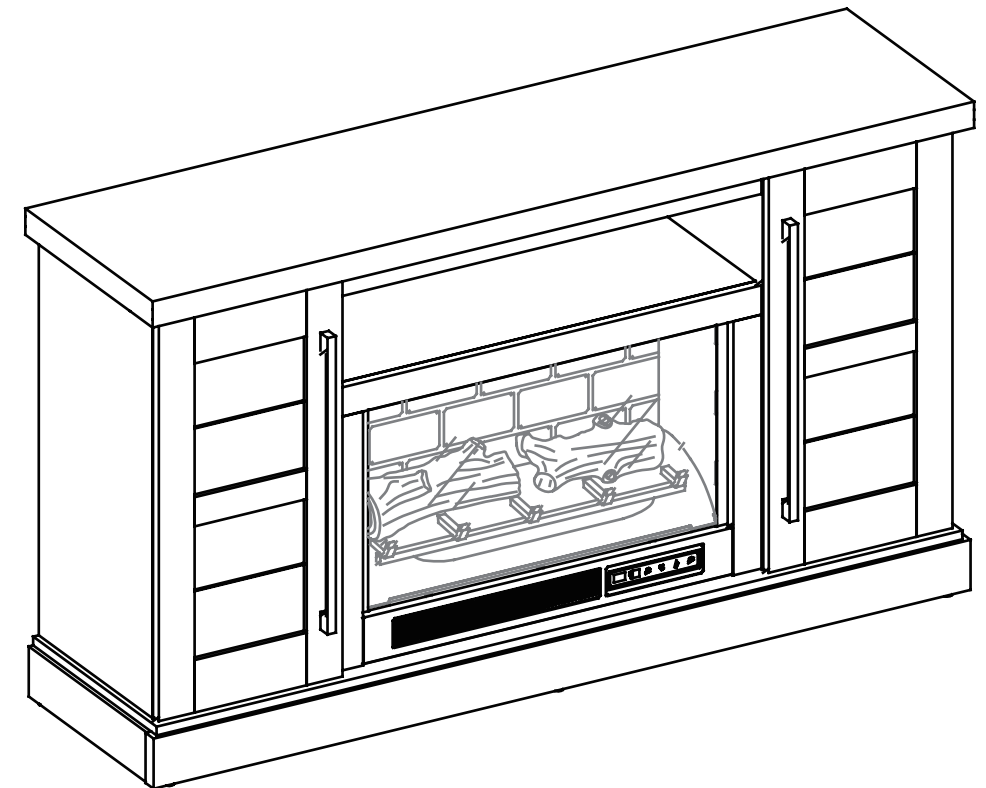
Lowes.com/allenandroth

allen + roth.

Impreso en Vietnam
ALLEN + ROTH y el diseño del logotipo
son marcas comerciales o marcas
registradas de LF, LLC. Todos los
derechos reservados.

allen + roth.

acogedor • sofisticado • inspirador



ALLEN + ROTH y el diseño del logotipo son marcas comerciales o marcas registradas de LF, LLC. Todos los derechos reservados.

ARTÍCULO # 5228469
**Chimenea eléctrica
de 147,32 cm**
MODELO # LWFP58-7

ADJUNTE SU RECIBO AQUÍ

Número de serie _____ Fecha de compra _____

¿Preguntas, problemas, piezas faltantes? Antes de volver a la tienda, llame a nuestro Departamento de Servicio al Cliente al 866-439-9800, de lunes a domingo de 8 a.m. a 8 p.m., hora estándar del Este. También puede ponerse en contacto con nosotros en partsplus@lowes.com.

SS23229

19

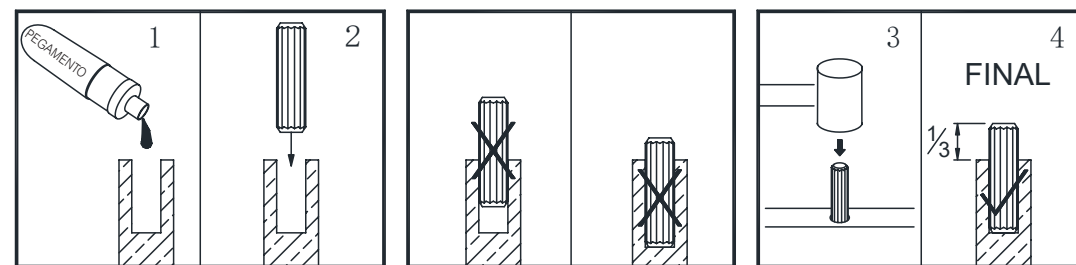
Lowes.com/allenandroth

allen + roth.

ÍNDICE

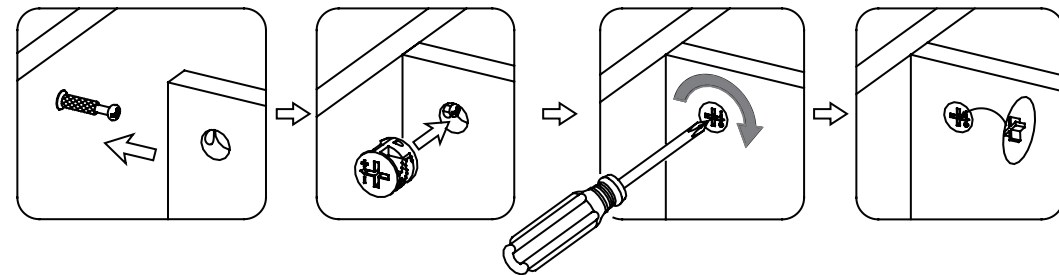
Instalación de espigas de madera.....	2
Contenido del paquete.....	3
Aditamentos.....	4
Información de seguridad.....	5
Preparación	5
Instrucciones de ensamblaje.....	6
Cuidado y mantenimiento	17
Un año de garantía	17
Lista de piezas de repuesto	18

INSTALACIÓN DE ESPIGAS DE MADERA



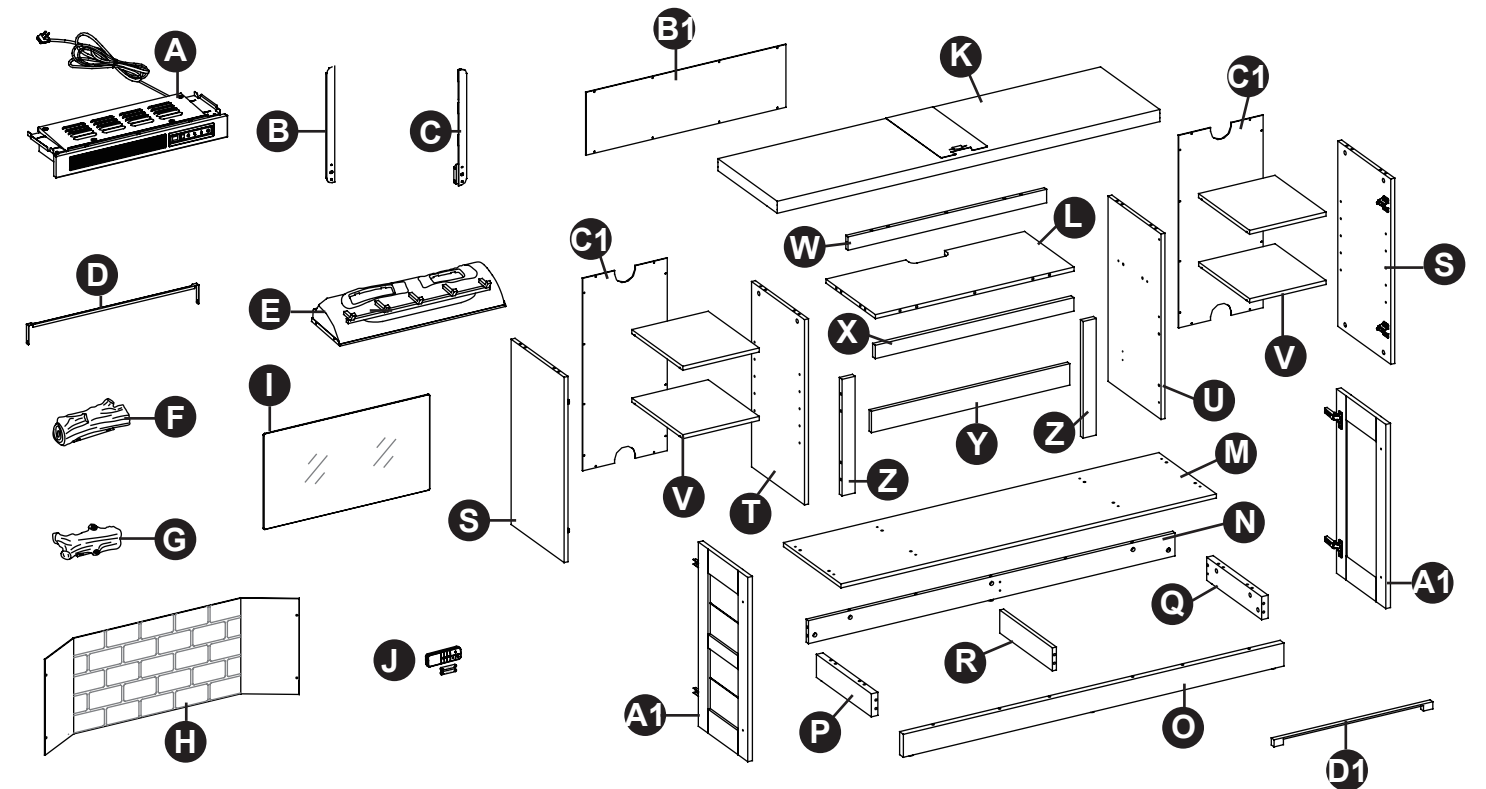
1. Aplique adhesivo a cada espiga antes de insertarla en el orificio. El exceso de adhesivo se puede limpiar con un paño húmedo.
2. Inserte la espiga al menos hasta la mitad golpeando ligeramente con un mazo de goma si es necesario.
NOTA: ES MUY IMPORTANTE UTILIZAR ADHESIVO CON LAS ESPIGAS.

FUNCIONAMIENTO DEL SISTEMA DE CERROJO DE LEVA



1. Atornille el perno de leva en los accesorios roscados del panel. Una ambos paneles y asegúrese de que el perno de leva se coloque dentro del orificio pretaladrado en el extremo del panel para el cerrojo de leva.
2. Introduzca el cerrojo de leva en el orificio pretaladrado grande del panel. Asegúrese de que la flecha de la cara del cerrojo de leva esté orientada hacia afuera y apunte hacia el perno de la leva.
3. Utilice un destornillador Phillips y gire el cerrojo de leva en dirección de las manecillas del reloj para bloquear el cerrojo en su lugar.
4. Inserte la cubierta de cerrojo de leva en la ranura transversal del cerrojo de leva para ocultar la leva.

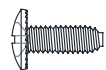
CONTENIDO DEL PAQUETE



PIEZA	DESCRIPCIÓN	CANTIDAD	PIEZA	DESCRIPCIÓN	CANTIDAD
A	Calentador	1	P	Travesaño izquierdo	1
B	Brazo vertical izquierdo	1	Q	Travesaño derecho	1
C	Brazo vertical derecho	1	R	Extensor central inferior	1
D	Correa del conector	1	S	Panel lateral	2
E	Lecho de brasas	1	T	Panel de separación izquierdo	1
F	Leño izquierdo	1	U	Panel de separación derecho	1
G	Leño derecho	1	V	Repisa ajustable	4
H	Panel de pared de la cámara de combustión	1	W	Moldura frontal superior	1
I	Vidrio de la cámara de combustión	1	X	Barra transversal central	1
J	Control remoto con batería	1	Y	Soporte de la cámara de combustión	1
K	Panel superior	1	Z	Reborde central	2
L	Repisa para sistema de audio y TV	1	A1	Puerta	2
M	Panel inferior	1	B1	Panel posterior central	1
N	Travesaño posterior	1	C1	Panel posterior lateral	2
O	Travesaño delantero	1	D1	Manija de la puerta	2

ADITAMENTOS (no se muestran en tamaño real)

AA



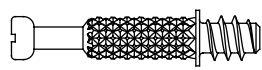
Tornillo M4 x 10 mm
Cant. 10

BB



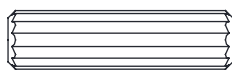
Cerrojo de leva
Cant. 44

CC



Perno de leva
Cant. 44

DD



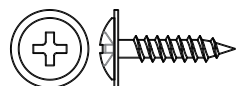
Espiga de madera
M8 x 30 mm
Cant. 41

EE



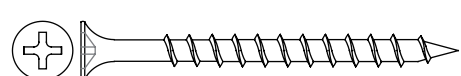
Tornillo
M3,5 x 12 mm
Cant. 4

FF



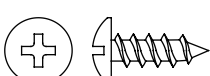
Tornillo de cabeza de
arandela M3,5 x 15 mm
Cant. 32

GG



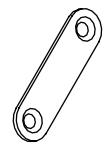
Tornillo
M4 x 50 mm
Cant. 6

HH



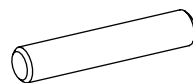
Tornillo de cabeza
alomada M3,5 x 13 mm
Cant. 8

II



Soporte recto
Cant. 2

JJ



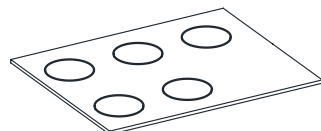
Soporte para
estante
Cant. 16

KK



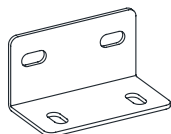
Cubierta de cerrojo
de leva
Cant. 12

LL



Amortiguador
de goma
Cant. 4+1 adicional

MM



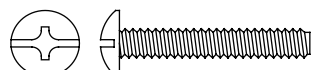
Abrazadera en forma de L
Cant. 2

NN



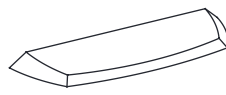
Pegamento
Cant. 2

OO



Perno de la manija
Cant. 4

PP



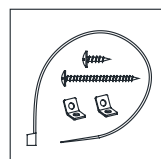
Tope acrílico
Cant. 1

QQ



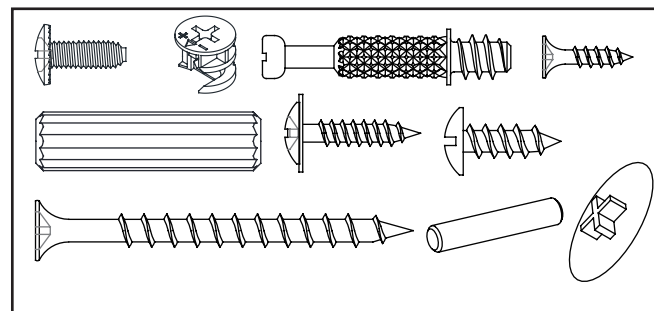
Aplicador de retoque
Cant. 1

RR



Kit de aditamentos de pro-
tección contra inclinaciones
Cant. 2

Aditamentos adicionales



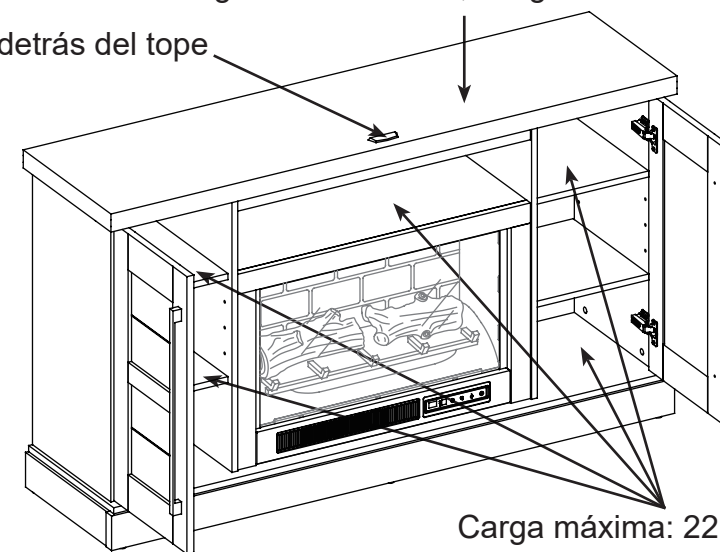
! INFORMACIÓN DE SEGURIDAD

Lea y comprenda completamente este manual antes de intentar ensamblar, usar o instalar el producto.

- No permita que los niños se suban al producto o que jueguen cerca de él.
- Use esta unidad solo para el fin para el cual se diseñó. No utilice las repisas como escalera de tijera.
- Para evitar daños, ensamble este producto sobre una superficie segura, nivelada y resistente.
- Dos personas deben trabajar juntas para armar la unidad.
- Asegúrese de que todos los pernos/tornillos estén bien apretados antes de usar la unidad.
- Revise periódicamente los tornillos/pernos y apriételos si es necesario.
- No empuje el mueble, especialmente en pisos alfombrados. Pídale a alguien que lo ayude a levantar el artículo y colocarlo en su nueva ubicación. Retire los estantes antes de trasladar el producto.

Se adapta a la mayoría de los televisores de pantalla plana de
165,1 cm / 65 pulg. en diagonal
Carga máxima de 36,28 kg / 80 lb

Coloque la televisión detrás del tope



Carga máxima: 22,7 kg / 50 lb

! ADVERTENCIA

Esta unidad no está diseñada para uso con televisores de tubo de rayos catódicos (CRT). Úsela solo con televisores de pantalla plana y equipos de audio y video que cumplan con los límites de tamaño y peso recomendados. Nunca use el producto con televisores o equipos de pantalla plana más grandes o pesados de lo recomendado. Para evitar la inestabilidad, coloque el televisor de pantalla plana en el centro de la unidad; la base del televisor debe poder descansar sobre la superficie de apoyo de la unidad sin que sobresalgan los bordes. Los televisores de pantalla plana colocados incorrectamente, o los televisores de pantalla plana u otros equipos que excedan los límites de tamaño y peso recomendados podrían caerse o romper la unidad, lo que causaría posibles lesiones graves.

PREPARACIÓN

Antes de comenzar a ensamblar el producto, asegúrese de tener todas las piezas. Compare las piezas con la lista del contenido del paquete y la lista de aditamentos. Si faltan piezas o alguna está dañada, no intente ensamblar el producto.


Tiempo estimado de ensamblaje: 100 minutos

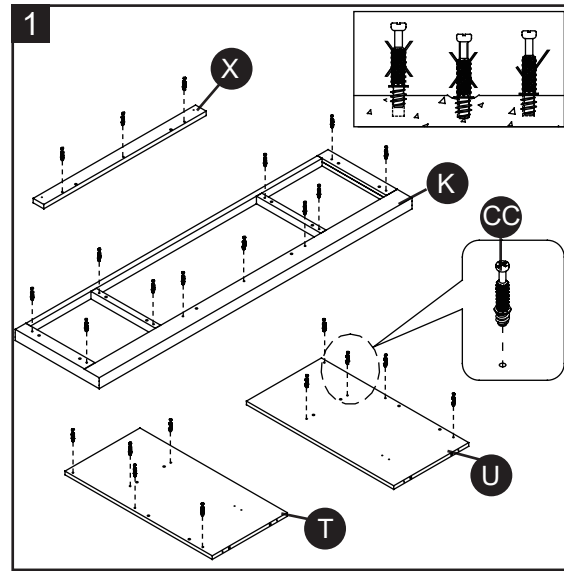
Herramientas necesarias para el ensamblaje (no se incluyen): destornillador Phillips, taladro eléctrico, broca para taladro de 1/8 pulg., lápiz para marcar y martillo.

INSTRUCCIONES DE ENSAMBLAJE

- 1a. Desembale la unidad y confirme que tiene todos los aditamentos y las piezas necesarias. Ensamble la unidad en un piso alfombrado o en la caja de cartón vacía para evitar que se raye.
- 1b. Atornille firmemente los pernos de leva (CC) en los pequeños orificios designados en el panel superior (K), la barra transversal central (X) y los paneles de separación (T y U). Apriete firmemente con un destornillador Phillips.

Aditamentos utilizados

CC Perno de leva  x 24



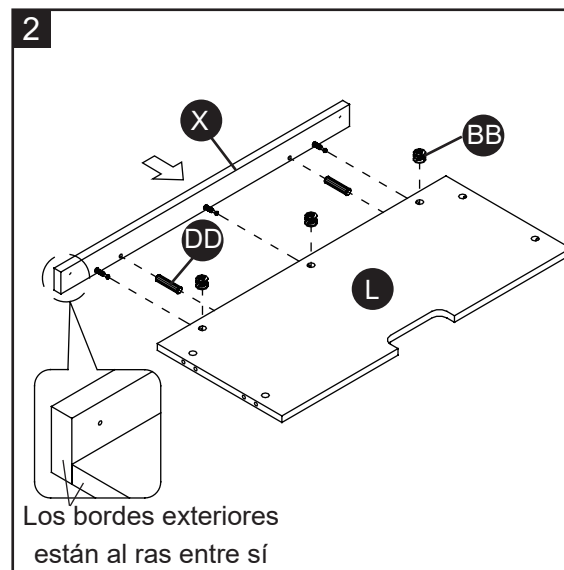
- 2a. Pegue dos espigas de madera (DD) en los orificios interiores del estante para sistema de audio y TV (L).
- 2b. Oriente y fije la barra transversal central (X) al estante para sistema de audio y TV (L) al enganchar los 3 cerrojos de leva (BB).

Aditamentos utilizados

BB Cerrojo de leva  x 3

DD Espiga de madera  x 2

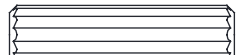
NN Pegamento  x 1



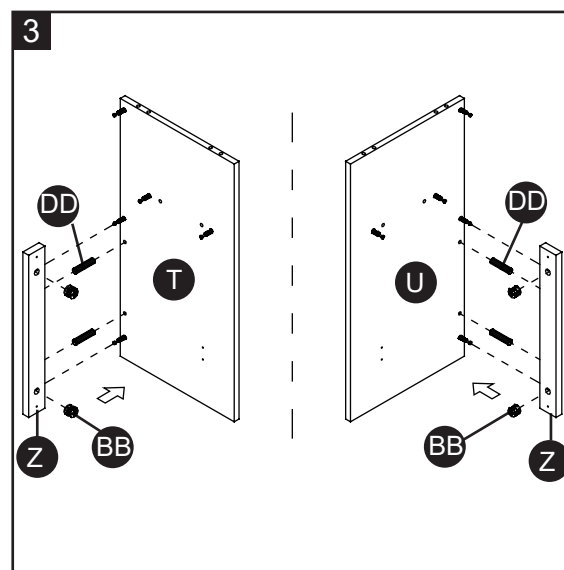
- 3a. Adhiera dos espigas de madera (DD) en los orificios interiores de cada reborde central (Z).
- 3b. Fije los rebordes centrales (Z) a los paneles de separación (T y U) con 2 cerrojos de leva (BB) respectivamente.

Aditamentos utilizados

BB Cerrojo de leva  x 4

DD Espiga de madera  x 4

NN Pegamento  x 1



INSTRUCCIONES DE ENSAMBLAJE

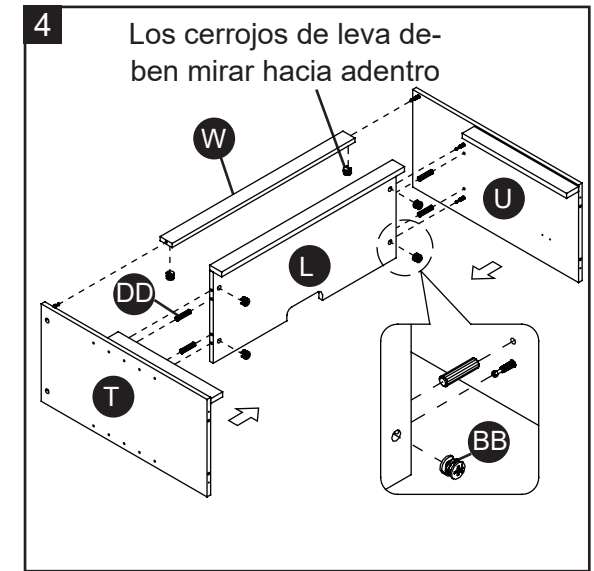
- 4a. Pegue cuatro espigas de madera (DD) en los orificios internos del estante para sistema de audio y TV (L) en ambos extremos.
- 4b. Oriente y fije la moldura frontal superior (W) y el estante para sistema de audio y TV (L) entre los paneles de separación (T y U) al enganchar 6 cerrojos de leva (BB).

Aditamentos utilizados

BB Cerrojo de leva  x 6


DD Espiga de madera  x 4

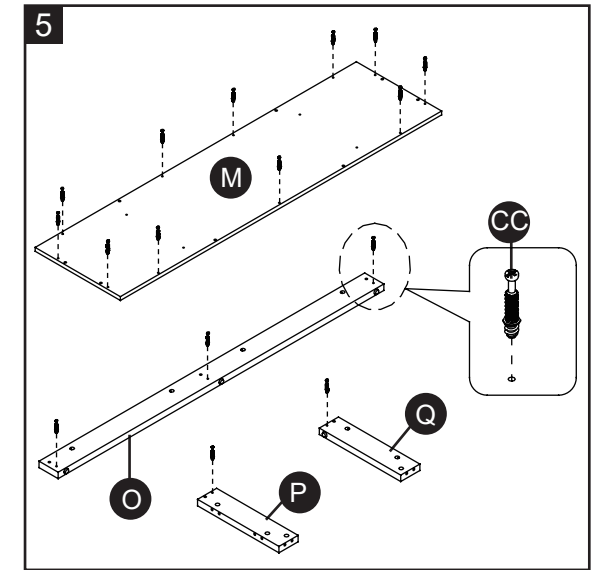
NN Pegamento  x 1



5. Atornille firmemente los pernos de leva (CC) en los orificios pequeños designados en el panel inferior (M) y los travesaños (O, P y Q). Apriete firmemente con un destornillador Phillips.

Aditamentos utilizados

CC Pernos de leva  x 16



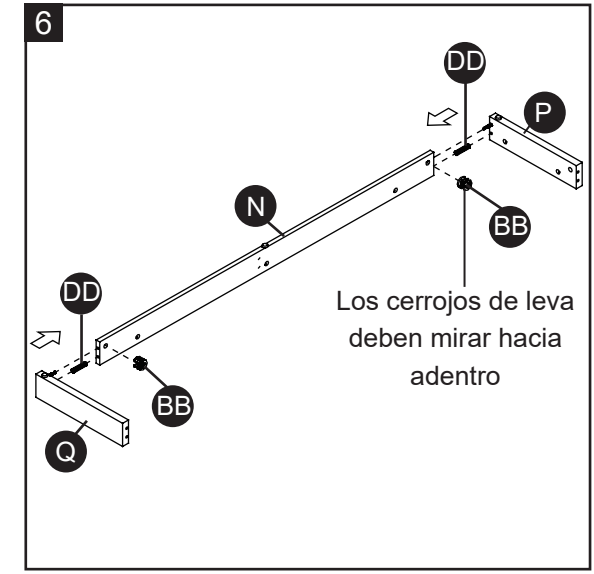
6. Adhiera dos espigas de madera (DD) en los orificios designados del travesaño posterior (N) en ambos extremos y fíjelas entre los travesaños laterales (P y Q) al enganchar 2 cerrojos de leva (BB).

Aditamentos utilizados

BB Cerrojo de leva  x 2

DD Espiga de madera  x 2




NN Pegamento  x 1



INSTRUCCIONES DE ENSAMBLAJE

7. Adhiera una espiga de madera (DD) en el orificio designado en el extensor central inferior (R) y fíjelo al travesaño delantero (O) al enganchar un cerrojo de leva (BB).


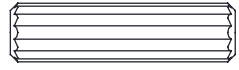
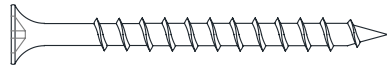

Aditamentos utilizados

BB	Cerrojo de leva		x 1
DD	Espiga de madera		x 1
NN	Pegamento		x 1

- 8a. Adhiera dos espigas de madera (DD) a los orificios laterales de los extremos en ambos travesaños laterales (P y Q) y fíjelos al travesaño delantero (O) al enganchar dos cerrojos de leva (BB).


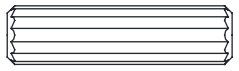

- 8b. Inserte dos tornillos de 50 mm (GG) a través del travesaño posterior (N) y atorníllelos de forma segura en el extensor central inferior (R).

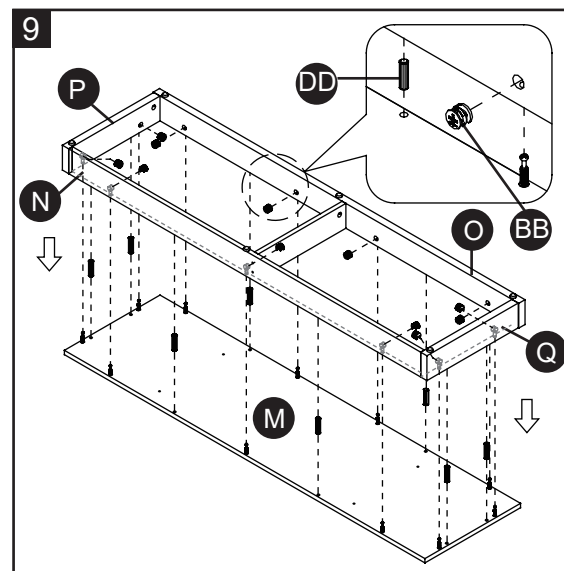
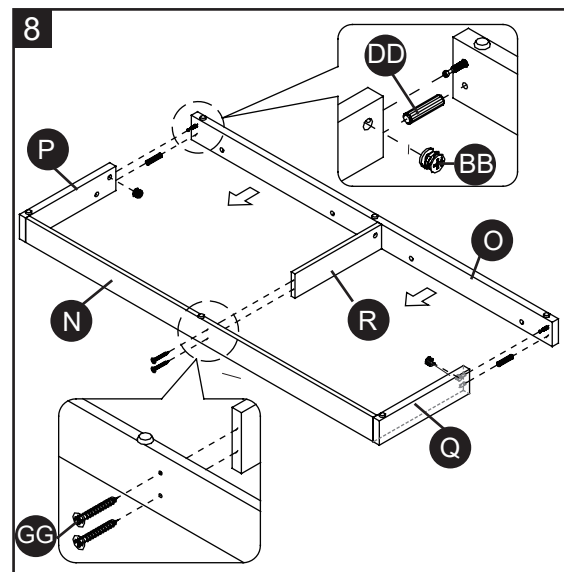
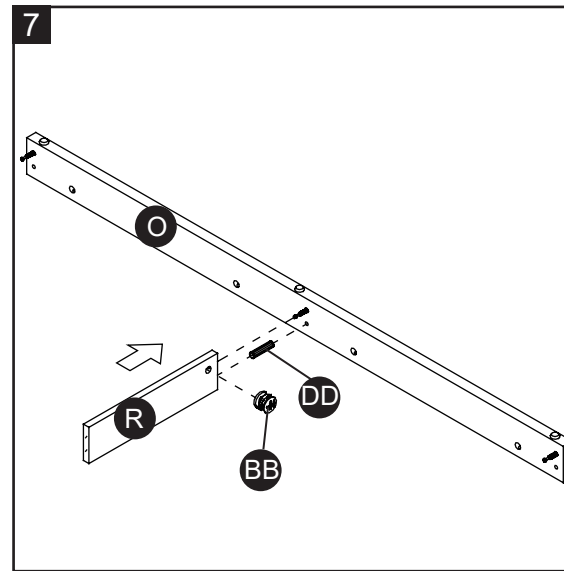
Aditamentos utilizados

BB	Cerrojo de leva		x 2
DD	Espiga de madera		x 2
GG	Tornillo M4 x 50 mm		x 2
NN	Pegamento		x 1

9. Adhiera las espigas de madera (DD) en los orificios interiores de los travesaños (N, O, P y Q) y fíjelas al panel inferior (M) al enganchar 11 cerrojos de leva (BB).

Aditamentos utilizados


BB	Cerrojo de leva		x 11
DD	Espiga de madera		x 8
NN	Pegamento		x 1



INSTRUCCIONES DE ENSAMBLAJE

- 10a. Pida ayuda para poner la base en posición vertical.
10b. Atornille firmemente cuatro pernos de leva (CC) en los pequeños orificios designados en el panel inferior (M). Apriete firmemente con un destornillador Phillips.

Aditamentos utilizados

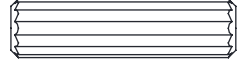
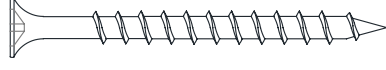

CC	Pernos de leva		x 4
-----------	----------------	---	-----

- 11a. Adhiera cuatro espigas de madera (DD) en los orificios interiores inferiores de los paneles de separación (T y U).

- 11b. Alinee los orificios grandes del panel inferior (M) con las espigas insertadas en los paneles divisorios (T y U) y presiónelos para unirlos.

- 11c. Inserte cuatro tornillos de 50 mm (GG) a través de los orificios de montaje en el panel inferior (M) y atorníllelos firmemente en los paneles divisorios (T y U).


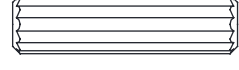
Aditamentos utilizados

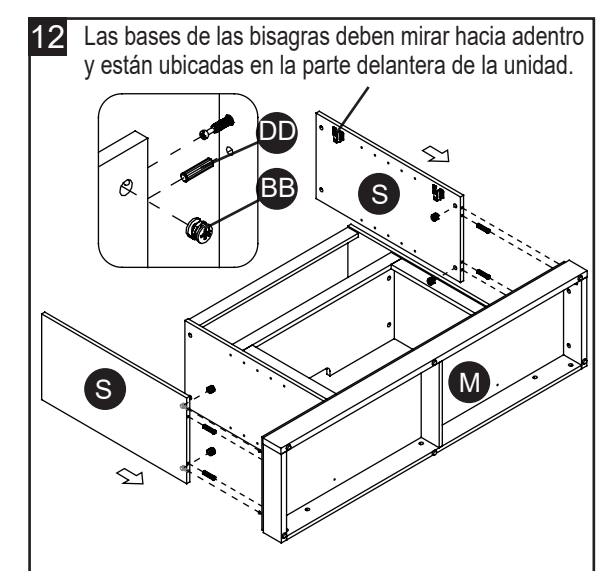
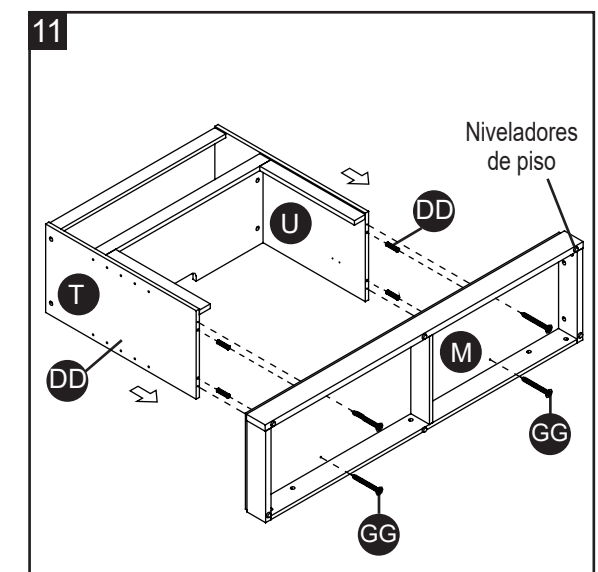
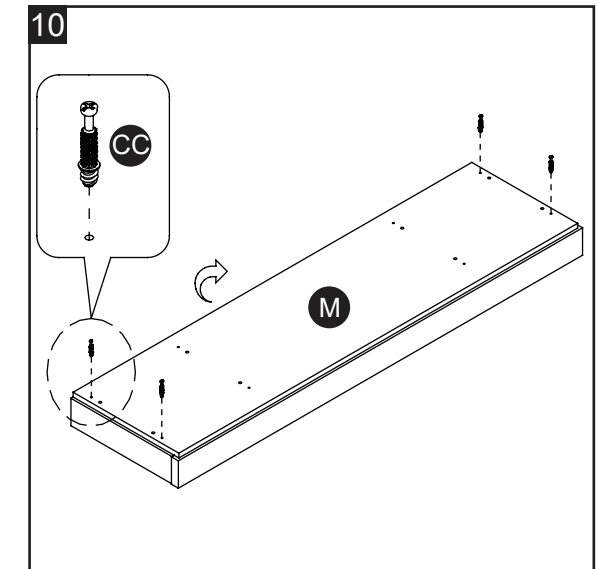
DD	Espiga de madera		x 4
GG	Tornillo M4 x 50 mm		x 4
NN	Pegamento		x 1

- 12a. Adhiera cuatro espigas de madera (DD) en los orificios interiores inferiores de los paneles laterales (S) como se muestra.

- 12b. Oriente y fije los paneles laterales (S) al panel inferior (M) al enganchar cuatro cerrojos de leva (BB).

Aditamentos utilizados

BB	Cerrojo de leva		x 4
DD	Espiga de madera		x 4
NN	Pegamento		x 1






INSTRUCCIONES DE ENSAMBLAJE

13a. Adhiera diez espigas de madera (DD) a los orificios internos superiores de los paneles verticales (S, T y U) y la moldura frontal superior (W).

13b. Pida ayuda para colocar el panel superior (K) en las espigas de madera insertadas (DD) y fíjelo en su lugar al enganchar 11 cerrojos de leva (BB).

13c. Ahora, regrese y apriete firmemente todos los cerrojos de leva y los tornillos. Asegúrese de que todas las piezas estén apretadas y que no haya espacios entre las piezas. Esto ayudará a mantener la unidad cuadrada.

Aditamentos utilizados

BB	Cerrojo de leva		x 11
DD	Espiga de madera		x 10
NN	Pegamento		x 1

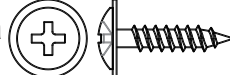
14a. Pida ayuda para voltear el ensamble anterior en sus bordes frontales.

14b. Levante el panel posterior central (B1) y alinee los orificios pre-taladrados contra el borde largo superior con los orificios guía en la parte posterior del panel superior (K). Fíjelo en su lugar con los tornillos con cabeza de arandela proporcionados (FF).

14c. Use los orificios guía para guiarse al alinear y fijar los paneles posteriores laterales (C1) al marco de la repisa para chimenea con los tornillos con cabeza de arandela (FF).

NOTA: recomendamos fijar el panel posterior con los tornillos en las esquinas primero.

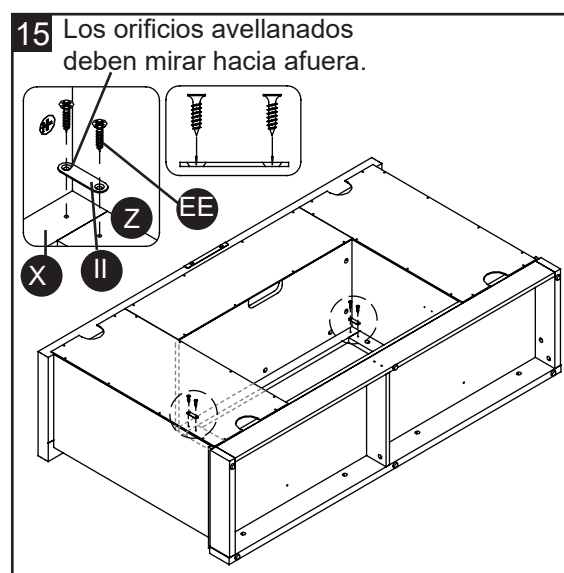
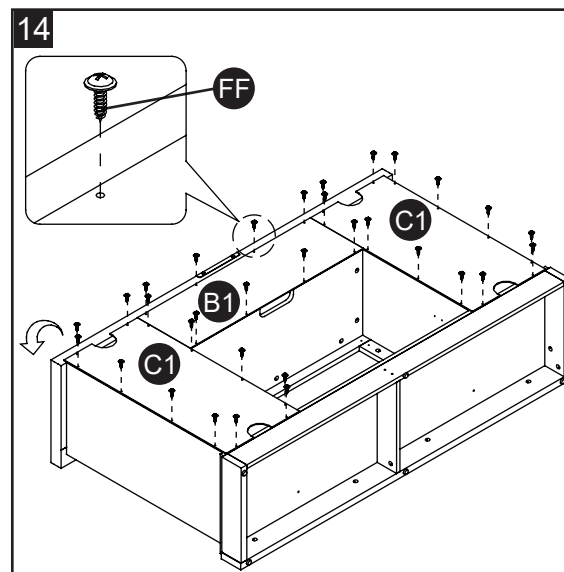
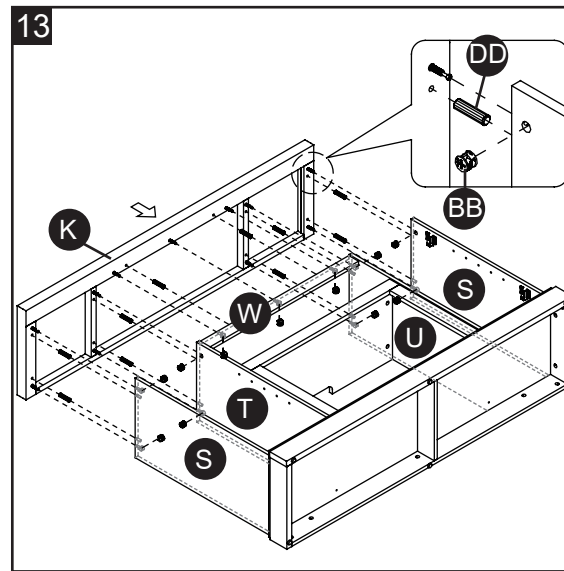
Aditamentos utilizados

FF	Tornillo con cabeza de arandela		x 32
-----------	---------------------------------	---	------

15. Use los orificios guía para guiarse al fijar dos soportes rectos (II) en las uniones donde la barra transversal central (X) se une con los rebordes centrales (Z) con cuatro tornillos de 12 mm (EE).

Aditamentos utilizados

EE	Tornillo M3,5 x 12 mm		x 4
II	Soporte recto		x 2



INSTRUCCIONES DE ENSAMBLAJE

16. Fije una manija (D1) al lado frontal de cada puerta (A1) con dos pernos de manija (OO).

Aditamentos utilizados

OO	Perno de manija		x 4
-----------	-----------------	---	-----

17a. Pida ayuda para poner la unidad en posición vertical.

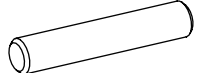
17b. Levante una puerta (A1) y fije los brazos de bisagra extendidos a las bases de bisagra instaladas en el panel lateral izquierdo (S). Afloje el perno en la parte posterior de la base de la bisagra para que encaje fácilmente. Alinee e inserte la ranura en "U" en el brazo de la bisagra debajo de la cabeza del perno en la parte posterior de la base de la bisagra. Asegúrese de que ambas bisagras de la puerta encajen y funcionen correctamente. Apriete el perno en la base de la bisagra para bloquear las bisagras en su lugar.

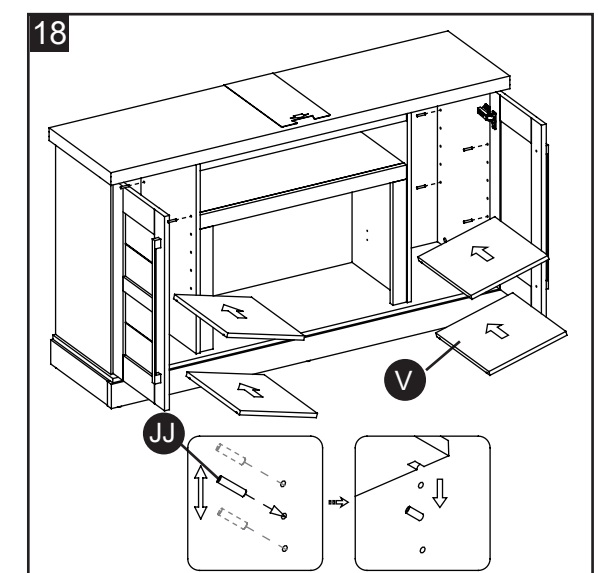
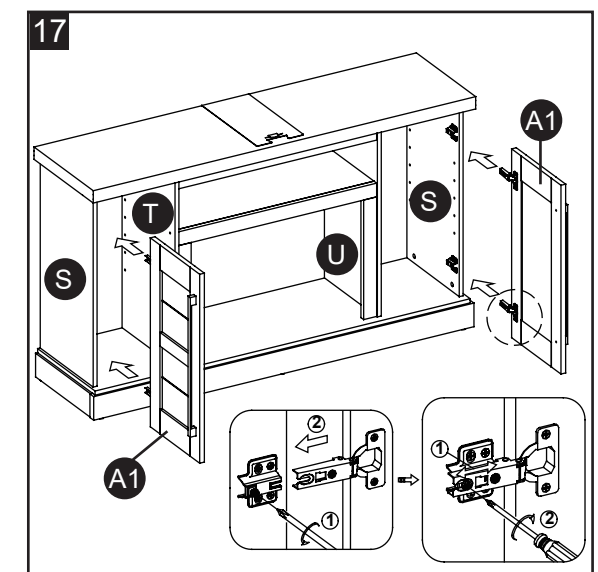
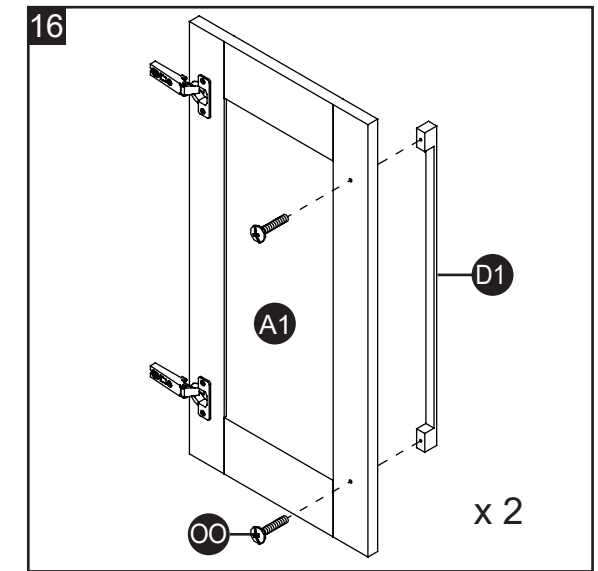
17c. Repita el mismo proceso para unir la otra puerta (A1) al otro panel lateral (S).

17d. Abra y cierre las puertas para asegurarse de que estén alineadas y cerradas correctamente. Si es necesario, ajuste bien los tornillos. (Consulte la calcomanía de la bisagra en la puerta para ajustarla).

18. Inserte ocho soportes para estante (JJ) en los orificios deseados dentro de cada compartimento lateral. Asegúrese de ubicar los cuatro soportes para estante en la misma altura para nivelar el estante. Incline y apoye los estantes ajustables (V) sobre los soportes para estante (JJ).

Aditamentos utilizados

JJ	Soporte para estante		x 16
-----------	----------------------	---	------

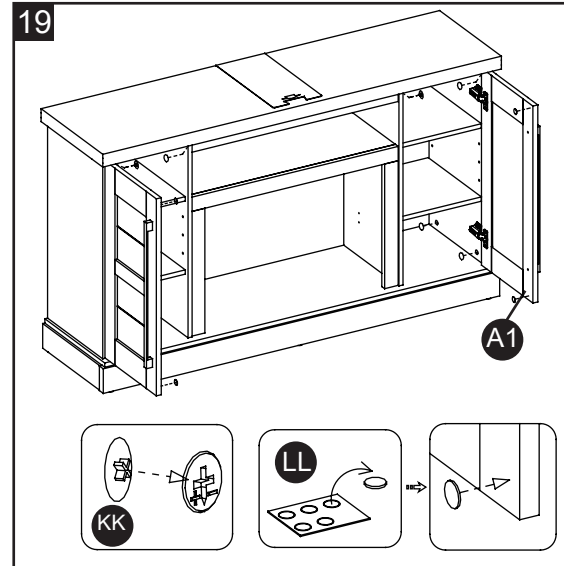


INSTRUCCIONES DE ENSAMBLAJE

- 19a. Coloque las cubiertas de los cerrojos de leva (KK) en los cerrojos de leva visibles para ocultar las levas.
 19b. Pegue los tope de goma (LL) en las esquinas exteriores de las puertas donde hacen contacto los paneles divisorios (T y U).

Aditamentos utilizados

- KK** Cubierta de cerrojo de leva x 12
- LL** Tope de goma x 4



Instalación del accesorio para chimenea

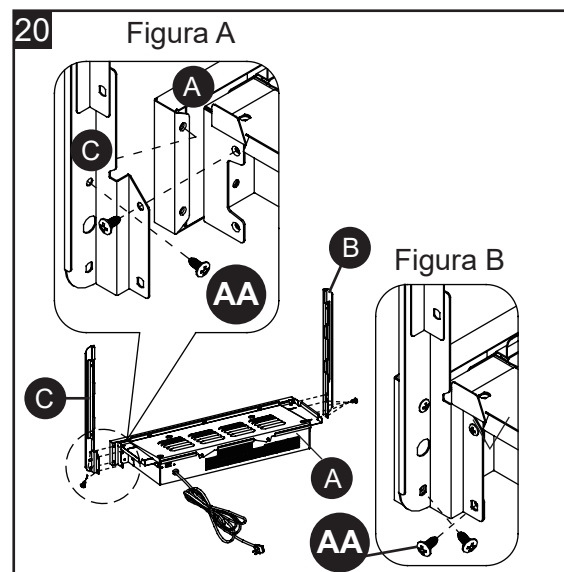
NOTA IMPORTANTE: use un destornillador manual, no un destornillador eléctrico para ensamblar el accesorio de la chimenea. Consulte BILT para obtener las instrucciones en video.

- 20a. Vea la figura A: apriete los 2 tornillos superiores (AA) a través del brazo vertical (C) en el calentador (A) hasta que estén apretados.
 20b. Consulte la figura B: apriete los 2 tornillos inferiores (AA) en el brazo vertical (C) hasta que estén apretados.
 20c. Apriete completamente los 4 tornillos (AA) por última vez.
 20d. Repita el mismo proceso con el brazo vertical (B).

ADVERTENCIA: no levante ni transporte el calentador de los brazos verticales.

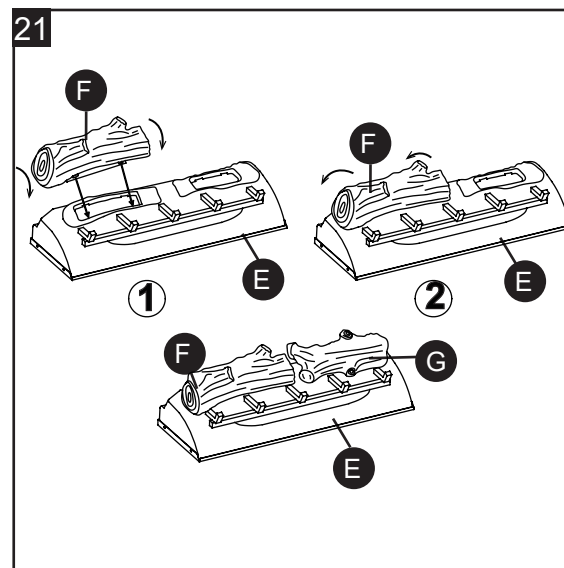
Aditamentos utilizados

- AA** Tornillo M4 x 10 mm x 8



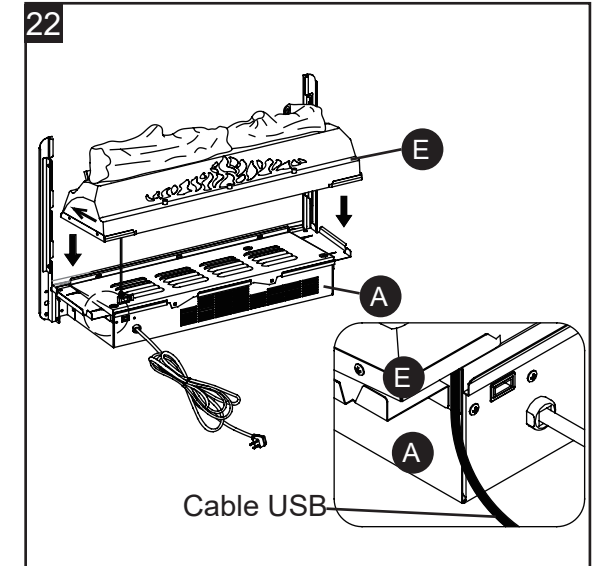
IMPORTANTE: siga cuidadosamente los 2 pasos a continuación para insertar cada leño.

- 21a. Instale el leño izquierdo (F) en el orificio izquierdo del lecho de brasas (E) al insertar el borde delantero de la base del leño en las muescas delanteras del orificio del lecho de brasas.
 21b. Luego incline el leño hacia atrás para insertar el borde posterior de la base del leño en las muescas posteriores del orificio del lecho de brasas (presione firmemente el leño para que encaje en su posición).
 21c. Repita el proceso anterior para el leño derecho (G).

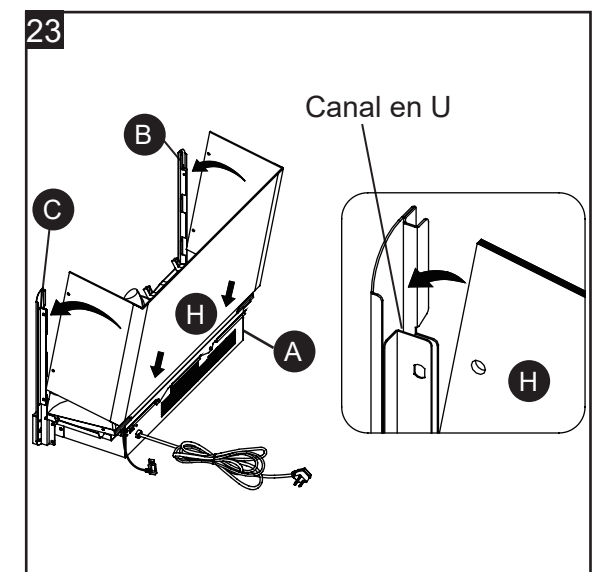


INSTRUCCIONES DE ENSAMBLAJE

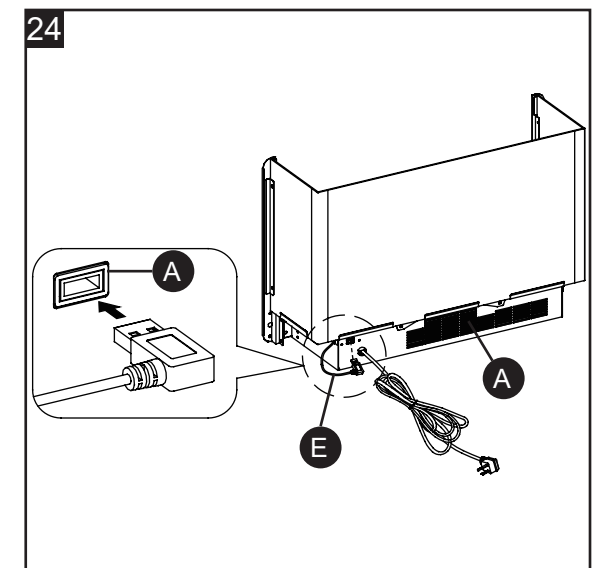
- 22a. Coloque el lecho de brasas (E) en el calentador (A) como se muestra.
 22b. Empuje el lecho de brasas hacia delante contra el reborde delantero del calentador.
 22c. Coloque el cable USB como se muestra.



- 23a. Doble el panel de pared (H) como se muestra. Luego colóquese en la parte posterior del calentador (A).
 23b. Sostenga el panel de pared (H) en el ángulo que se muestra a continuación e inserte el borde posterior inferior en las ranuras de metal de la parte posterior del calentador (A).
 23c. Incline el panel de pared (H) hacia delante hasta que la esquina inferior se inserte en los canales en U inferiores de ambos brazos verticales (B y C).
 23d. Continúe inclinando el panel de pared (H) hacia delante hasta que la esquina superior se inserte en los canales en U superiores de ambos brazos verticales (B y C).

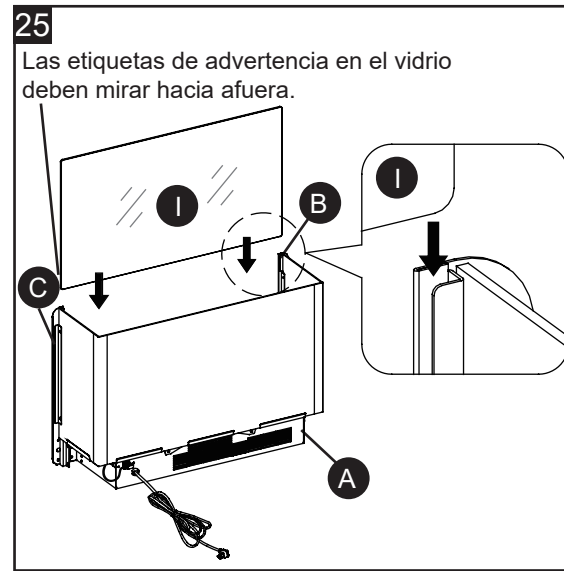


24. Enchufe completamente el conector USB del lecho de brasas (E) en el puerto posterior del calentador (A).

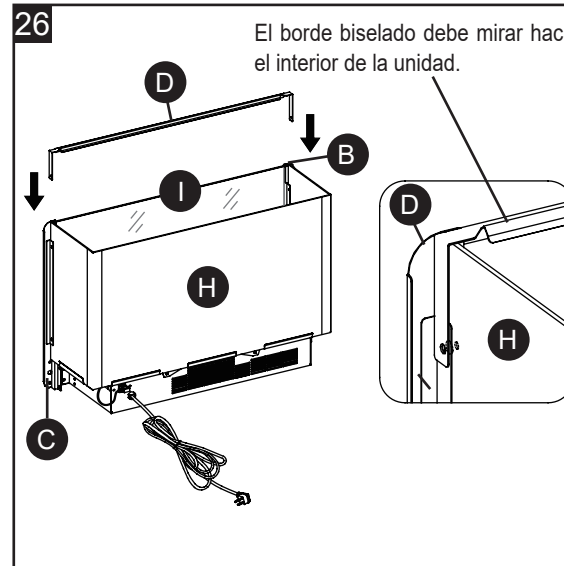


INSTRUCCIONES DE ENSAMBLAJE

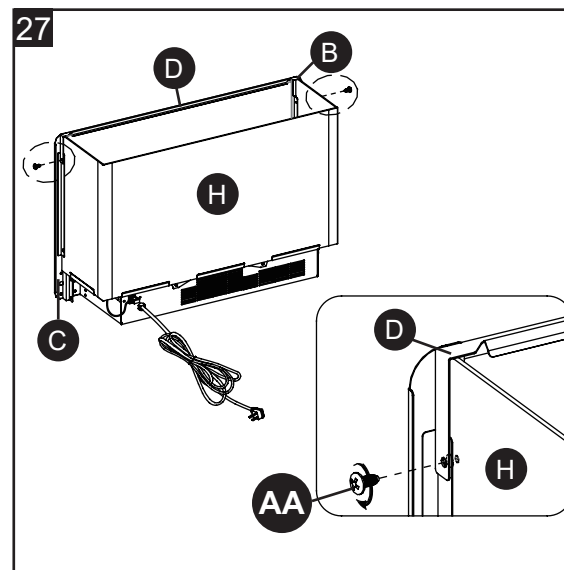
25. Deslice el vidrio (I) en los canales en U internos de ambos brazos verticales (B y C) hasta que el vidrio se asiente sobre el calentador (A). Si es necesario, empuje la parte superior de los brazos verticales hacia adentro o hacia afuera para acomodar el vidrio. Asegúrese de que la parte superior del vidrio (I) esté al ras con la parte superior de ambos brazos verticales (B y C).



26. Coloque la correa del conector superior (D) sobre el vidrio (I) y los brazos verticales (B y C). Siga la orientación que se muestra a continuación.



27. Sujete la correa del conector (D) a ambos brazos verticales (B y C) con dos tornillos (AA) como se muestra a continuación. Los orificios deben estar alineados para que pase el tornillo.

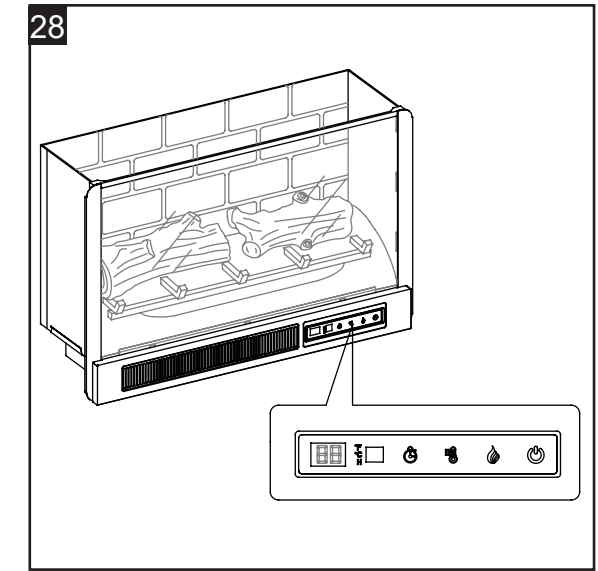


Aditamentos utilizados

- AA** Tornillo M4 x 10 mm x 2

INSTRUCCIONES DE ENSAMBLAJE

28. La cámara de combustión ahora está lista para el siguiente paso de ensamblaje.



Instalación del accesorio para chimenea

- 29a. Levante el accesorio para chimenea, colóquelo en la parte posterior de la repisa para chimenea ensamblada y céntralo en la abertura.
- 29b. Use los orificios guía para guiarse al fijar dos soportes en forma de L (MM) en el soporte de la cámara de combustión (Y) con cuatro tornillos de cabeza alomada (HH). Asegúrese de que el lado del ángulo recto del soporte esté al ras con el borde corto del soporte de la cámara de combustión (Y).
- 29c. Fije el soporte de la cámara de combustión (Y) entre los paneles divisorios (T y U) con cuatro tornillos de cabeza alomada (HH) y use los orificios guía como referencia.

Aditamentos utilizados

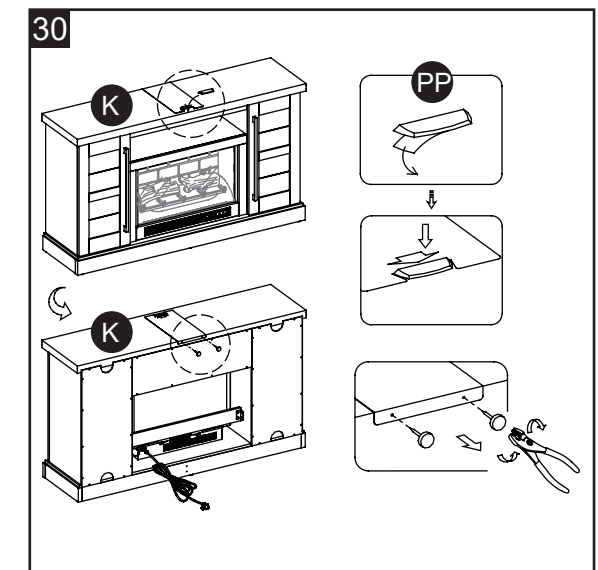
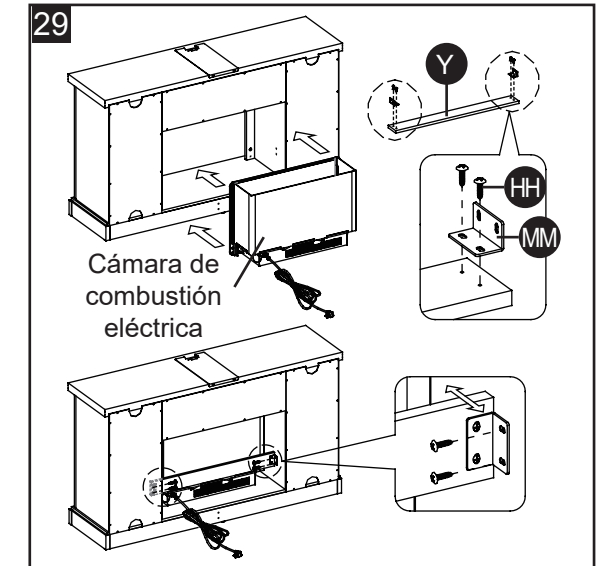
- MM** Abrazadera en forma de L x 2
- HH** Tornillo de cabeza alomada x 8

NOTA: para evitar que su televisor se vuelque, debe instalar el tope acrílico si coloca un televisor de pantalla plana en el panel superior. De lo contrario, vaya al paso "30b".

- 30a. Retire el protector de papel del tope acrílico (PP), luego alinee correctamente el tope acrílico en el corte de la plantilla del tope acrílico en el frente del panel superior (K). Presione el tope acrílico para ayudar a la adhesión.
- 30b. En la parte posterior del panel superior (K), sujete la cabeza de la tachuela de plástico con unos alicates. Luego, jale de la tachuela con un movimiento giratorio para quitar la plantilla del tope acrílico.
- NOTA:** debe instalar el tope acrílico para evitar que su televisor se vuelque al colocar uno de pantalla plana en el panel superior.

Aditamentos utilizados

- PP** Tope acrílico x 1



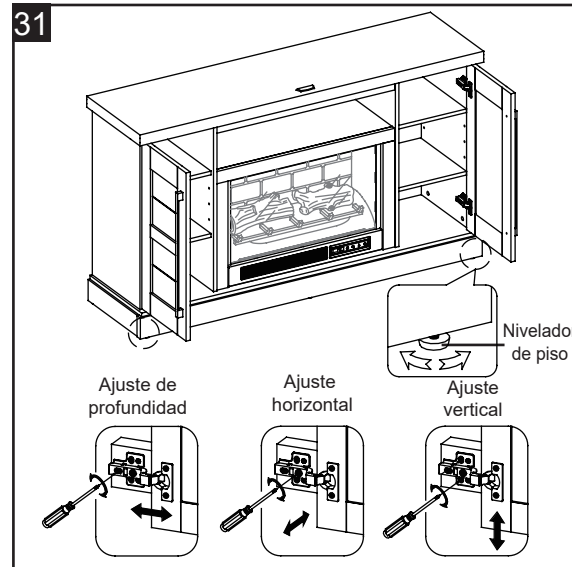
INSTRUCCIONES DE ENSAMBLAJE

Ajustes de la puerta

NOTA: abra y cierre las puertas y ajuste los espacios para asegurarse.

31a. Ajuste los niveladores de piso preinstalados para corregir la inclinación y nivelar las puertas.

31b. Afloje los sujetadores de las bisagras y ajústelos correctamente para que encajen bien.



Instalación de los aditamentos de contención antivuelcos

32a. Coloque la chimenea ensamblada en el lugar deseado contra una pared.

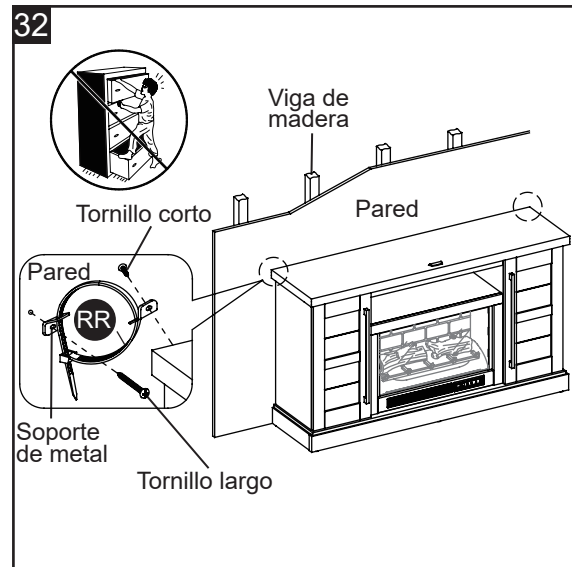
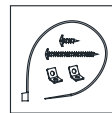
32b. Ahora, siga las instrucciones impresas en la bolsa de plástico que contiene los aditamentos de contención antivuelcos para fijar las contenciones a la unidad y la pared.

NOTA: los niños pequeños pueden salir gravemente lesionados debido a muebles que se vuelcan. Debe instalar aditamentos de restricción de vuelco con la unidad para evitar que la unidad se vuelque y cause accidentes o daños. Las contenciones antivuelco están destinadas solo como elemento disuasorio, no sustituyen la supervisión adecuada de un adulto. Las contenciones antivuelco no son contenciones contra terremotos. Si desea agregar la seguridad adicional de las contenciones contra terremotos, debe comprarlas e instalarlas por separado.

32c. Conecte la chimenea al transformador de potencia. Siga el manual de funcionamiento del accesorio de la chimenea eléctrica para controlar la chimenea.

Aditamentos utilizados

RR Kit de aditamentos de protección contra inclinaciones x 2



CUIDADO Y MANTENIMIENTO

Se proporciona un aplicador de retoque para minimizar pequeños rasguños o rayones que pueden ocurrir durante el ensamble o el envío.

Para limpiar y cuidar su mueble:

- Utilice un paño suave y limpio que no raye la superficie al limpiarla.
- No es necesario usar pulidores de muebles. Si desea utilizar pulidores, debe probarlos primero en un área no visible.
- Usar cualquier tipo de solvente en el mueble puede dañar el acabado.
- Nunca utilice agua para limpiar el mueble, ya que puede provocar daños en el acabado.
- Siempre use posavasos debajo de vasos de bebidas y macetas.
- Limpie inmediatamente todos los derrames. Utilice un paño suave y limpio para aplicar sobre el derrame suavemente. Evite frotar.
- Siempre use almohadillas protectoras debajo de platos calientes. El calor puede crear cambios químicos que pueden producir manchas dentro del acabado del mueble.
- Las manchas o marcas de crayones o marcadores de tinta serán difíciles de limpiar.
- En el caso de que su mueble se tiña o se dañe durante el uso, le recomendamos que llame a un profesional para repararlo.
- Revise periódicamente los tornillos/pernos y apriételos si es necesario.

CUIDADO DEL MUEBLE DE MADERA

- Es mejor mantener el mueble en un ambiente climatizado. Los cambios extremos de temperatura y de humedad pueden ocasionar decoloración, deformación, contracciones y grietas en la madera. Se recomienda mantenga el mueble lejos de la luz solar directa, ya que puede provocar daños en el acabado.
- El cuidado y la limpieza adecuados en el hogar prolongarán la vida útil de su compra. Seguir estos importantes y útiles consejos mejorará sus muebles a medida que envejezcan.

LIMPIEZA DEL REBORDE DE LA CHIMENEA

Limpie el reborde de metal con un paño suave levemente humedecido con un producto a base de aceite de cítricos y dé brillo con un paño suave limpio. NO use pulidores de latón ni limpiadores domésticos, ya que estos productos dañan el reborde de metal. Los productos a base de aceite de cítricos se pueden obtener en supermercados o ferreterías.

UN AÑO DE GARANTÍA LIMITADA

La garantía de este producto es válida para el comprador original. Si esta unidad presenta alguna falla debido a defectos en los materiales o la mano de obra, el fabricante reemplazará o reparará a su discreción este artículo sin cargos. La garantía se anula si el producto no se ensambló correctamente y debido al mal uso, abuso por sobrecarga, modificación de cualquier tipo o daños producidos por un accidente. Esta garantía no es transferible y no cubre el desportillado, desprendimiento, rayones, oxidación, abolladuras u otros daños en la superficie de este producto. La responsabilidad del fabricante se limita a la reparación o el reemplazo de este producto. El fabricante no se hará responsable por daños accidentales o resultantes u otros daños o pérdidas causadas por fallas del producto.

Esta garantía reemplaza a todas las demás garantías explícitas. Algunos estados no permiten la exclusión o limitación de los daños accidentales o resultantes, de modo que las limitaciones anteriores pueden no aplicarse en su caso. Esta garantía le otorga derechos legales específicos, y podría tener otros derechos, que varían según el estado.