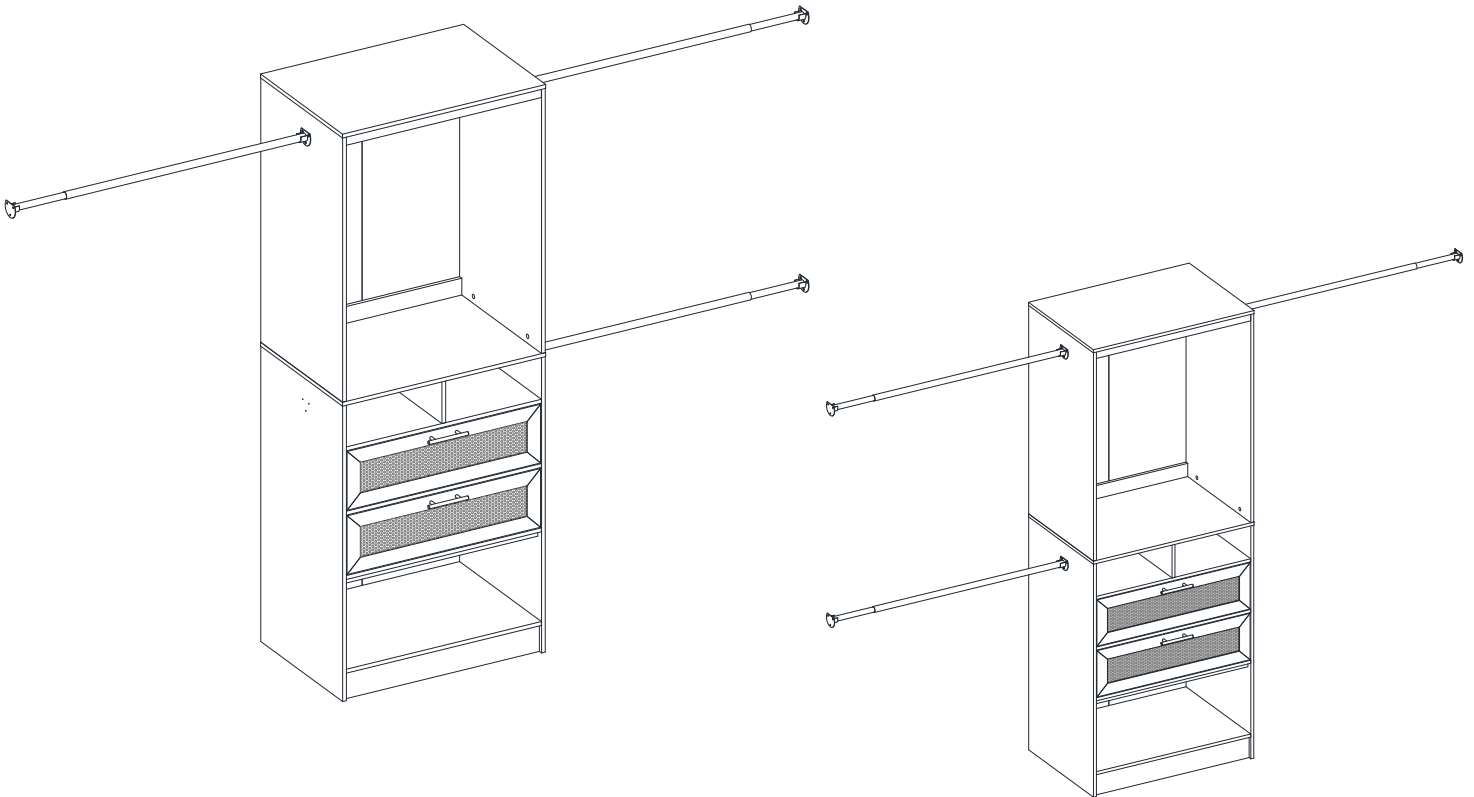

ASSEMBLY INSTRUCTIONS

Closet Organizer



Optional configuration

Questions, problems, missing parts? Before returning to the store,
call Customer Service

1-866-942-5362

Pacific Standard Time: 8:30 a.m. - 4:30 p.m., Monday - Friday

Or visit our web site 24 hours a day, 7 days a week for product assistance at

www.whalenfurniture.com

Or e-mail your request to **parts@whalenfurniture.com**

THANK YOU

We appreciate the trust and confidence you have placed in Scott Living by Drew & Jonathan through the purchase of this closet.

We strive to continually create quality products designed to enhance your home. Visit us online to see our full line of products available for your home improvement needs. Thank you for choosing Scott Living by Drew & Jonathan!

Table of Contents


Table of Contents2
 Safety Information.....2
 Maximum Recommended Weight Loads2
 Warranty 2
 Pre-Assembly.....2
 Planning Assembly2

Tools required2
 Hardware Included3
 Package Contents4
Assembly..... 5
Care and Maintenance 23
 Caring for Wood Furniture23

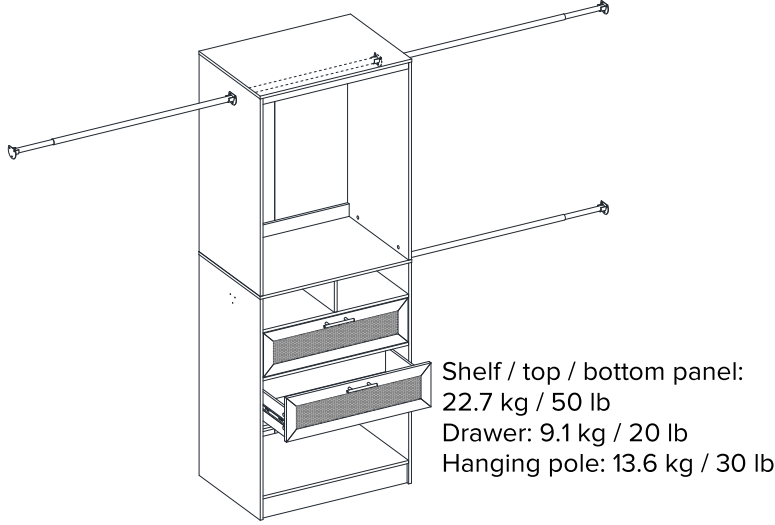
Safety Information

Please read and understand these instructions before assembling and using this closet. Save these instructions for future reference.

MAXIMUM RECOMMENDED WEIGHT LOADS



WARNING: This unit is intended only for use within the maximum weights indicated. Use with load heavier than the maximum weights indicated may result in instability, causing possible injury. For safety purpose, the maximum span of expandable hanging poles should not exceed 60". Do not open more than one drawer at a time and do not step on drawer, doing so may cause unit to tip forward.



Warranty

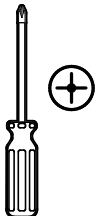
We are confident that you will be delighted with this purchase. Should this product be defective in workmanship or materials, or fail under normal use, we will repair or replace it for a period of up to one (1) year from date of purchase. This warranty gives you specific rights and you may also have other rights which vary from state to state. Contact the Customer Service Team at 1-866-942-5362 or visit www.whalenfurniture.com.


Pre-Assembly

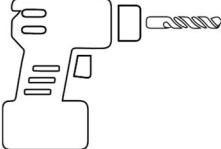
PLANNING ASSEMBLY


Compare all parts with the Hardware Included and Package Contents list. If any part appears missing or damaged, do not assemble this product and contact the Customer Service Team at 1-866-942-5362.

TOOLS REQUIRED

- 

Phillips screwdriver
(not provided)
- 

Stud finder
(not provided)
- 

Power drill and drill bits
(not provided)
- 

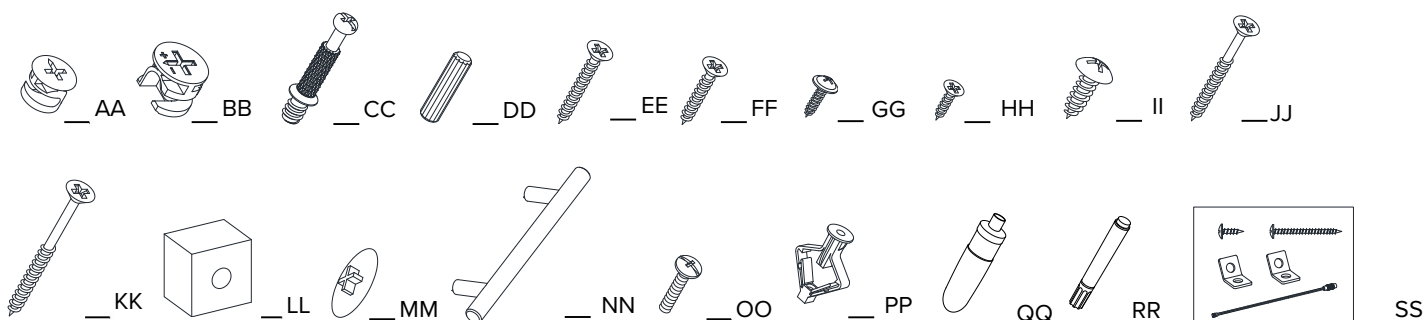
Level
(not provided)

Pre-Assembly (continued)

HARDWARE INCLUDED



NOTE: Hardware not shown to actual size.

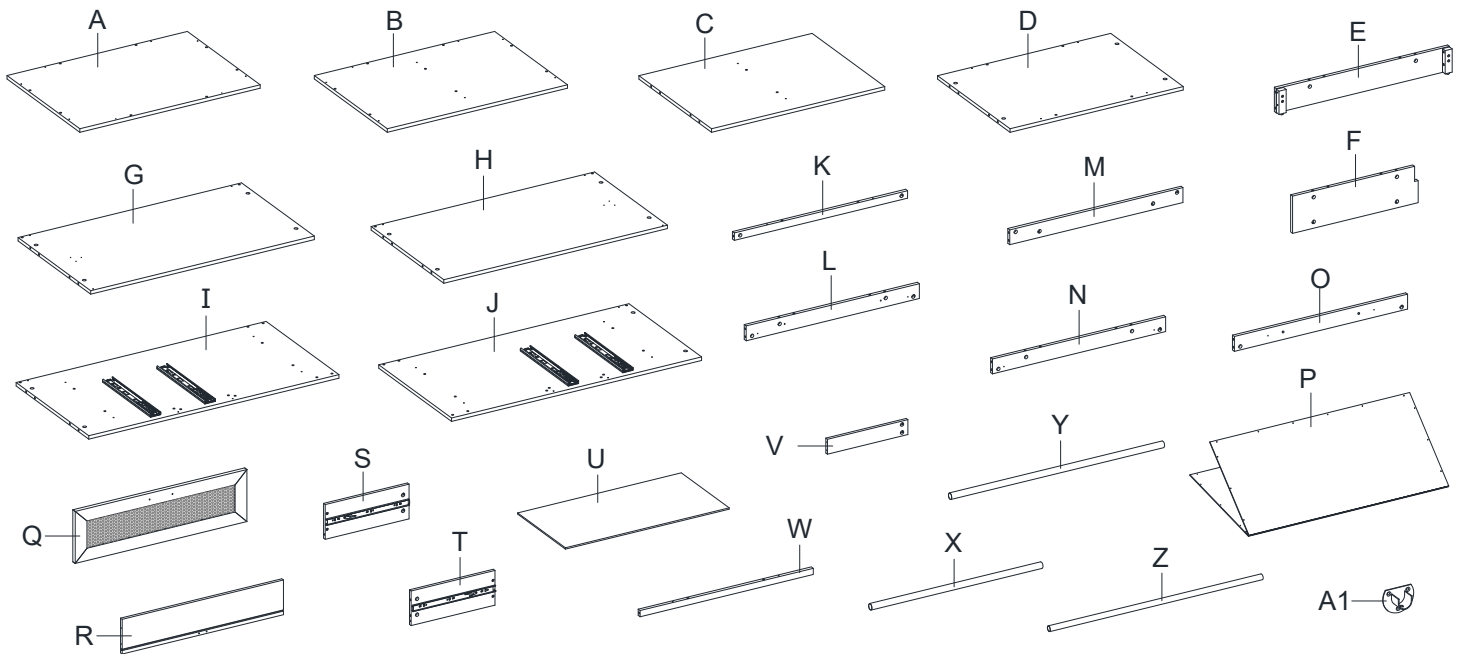


Part	Description	Quantity
AA	Small cam lock	12+1 extra
BB	Large cam lock	46+2 extra
CC	Cam bolt	58+2 extra
DD	Wood dowel	62+2 extra
EE	M4 x 38mm screw	12+1 extra
FF	M4 x 30mm screw	14+1 extra
GG	Washer head screw	48+2 extra
HH	M3.5 x 14mm screw	15+1 extra
II	M4 x 16mm self-tapping screw	8+1 extra
JJ	M4 x 65mm screw	9+1 extra

Part	Description	Quantity
KK	M4 x 75mm screw	2
LL	Spacer block	2
MM	Cam lock cover	16+1 extra
NN	Handle	2
OO	Handle bolt	4
PP	Wall anchor	11+1 extra
QQ	Glue	2
RR	Touch-up pen	1
SS	Tipping restraint hardware kit	1

Pre-Assembly (continued)

PACKAGE CONTENTS



Part	Description	Quantity
A	Top panel	1
B	Upper fixed shelf	1
C	Lower fixed shelf	1
D	Bottom panel	1
E	Base stretcher	2
F	Partition panel	1
G	Left upper side panel	1
H	Right upper side panel	1
I	Left lower side panel	1
J	Right lower side panel	1
K	Top front stretcher	1
L	Top back stretcher	1
M	Middle upper back stretcher	1
N	Middle lower back stretcher	1

Part	Description	Quantity
O	Front crossbar	2
P	Back panel	2
Q	Drawer front panel	2
R	Drawer back panel	2
S	Drawer left side panel	2
T	Drawer right side panel	2
U	Drawer bottom panel	2
V	Drawer bottom support	2
W	Front reinforcement	2
X	Fixed hanging pole	1
Y	Expandable outer pole	3
Z	Expandable inner pole	3
A1	Pole holder	8

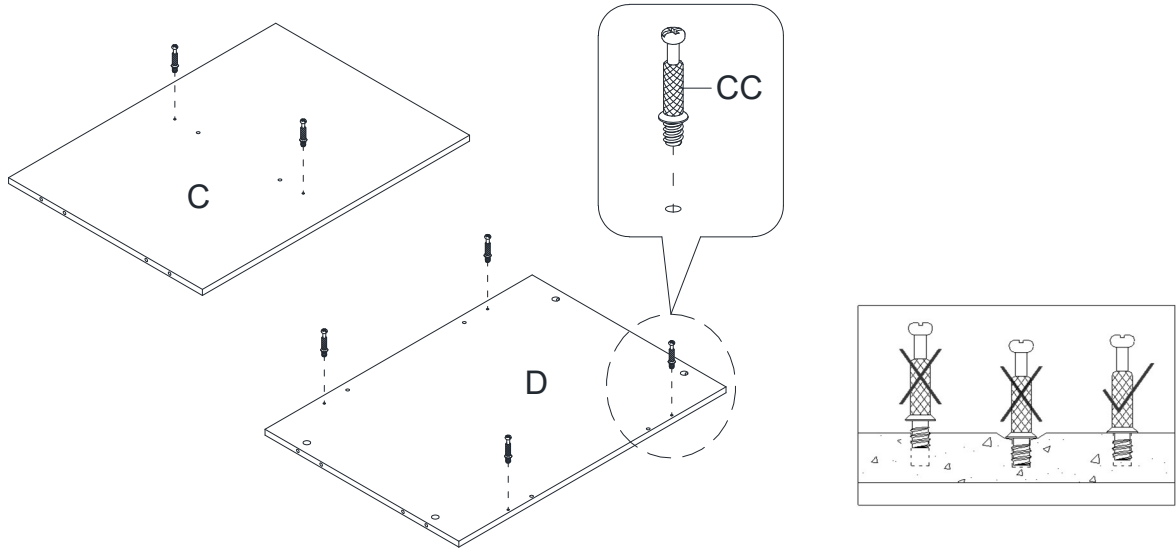
Assembly

1 Preparing bottom cabinet assembly



NOTE: Do not fully tighten all bolts until you finish assembling all parts. Once assembled, go back and fully tighten all bolts. This will make the assembly easier.

- Unpack the unit and confirm that you have all the hardware and required parts. Assemble the unit on a carpeted floor or the empty carton to avoid any scratches.
- Securely screw the cam bolts (CC) into the designated small holes on the lower fixed shelf (C) and bottom panel (D) using a Phillips screwdriver.

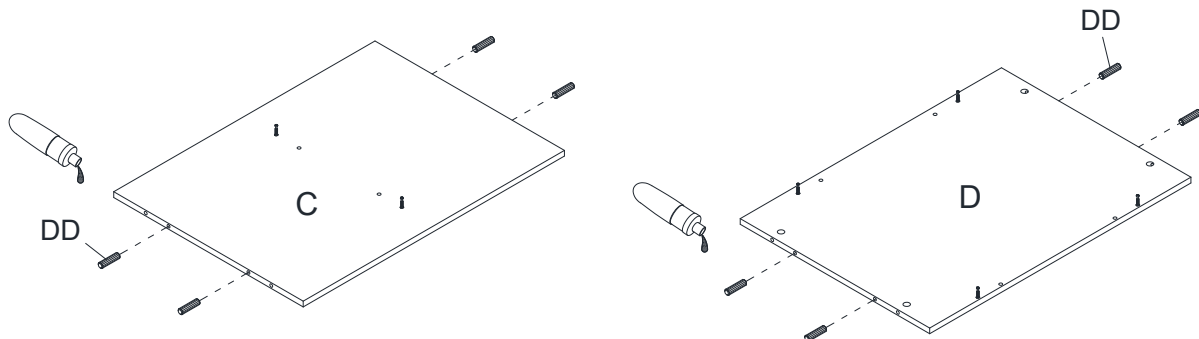


2 Gluing wood dowels

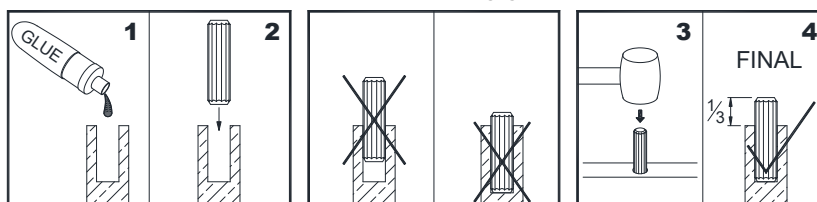


NOTE: Refer to the dowel guide drawings in this step for further clarification on how to properly glue in the wooden dowels. Apply this method whenever instructed to install wood dowels.

- Glue the wood dowels (DD) into the designated holes on the lower fixed shelf (C) and bottom panel (D). It is very important to use a small amount of glue on both ends of dowels and wipe off the excess glue immediately.



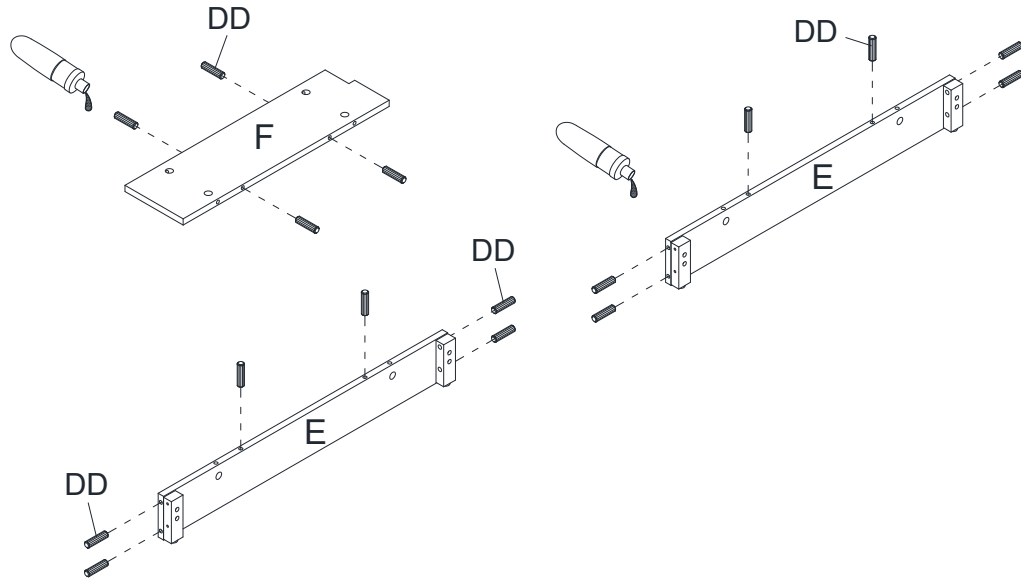
The dowel assembling guide



Assembly (continued)

3 Gluing wood dowels

- Glue the wood dowels (DD) into the designated holes on both base stretchers (E) and the partition panel (F).

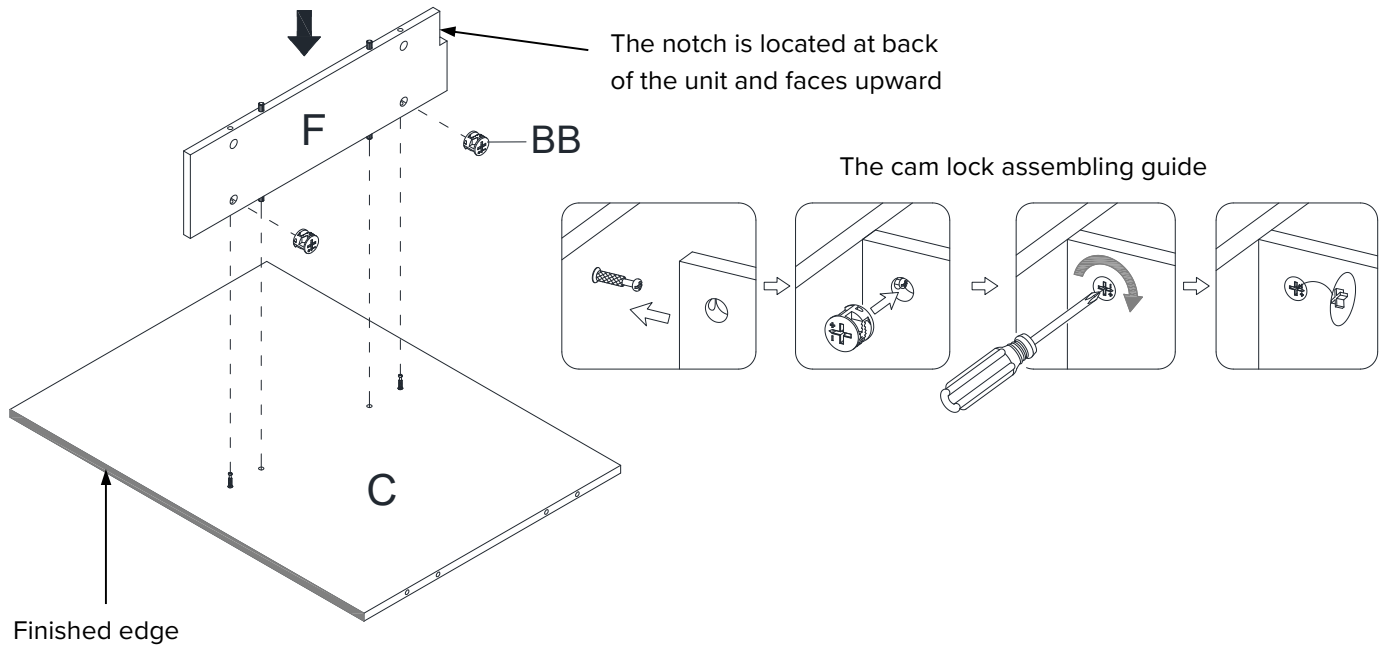


4 Attaching partition panel



NOTE: Refer to the cam lock assembling guide drawings in this step for further clarification on how to properly install cam locks. Apply this method whenever instructed to install cam locks.

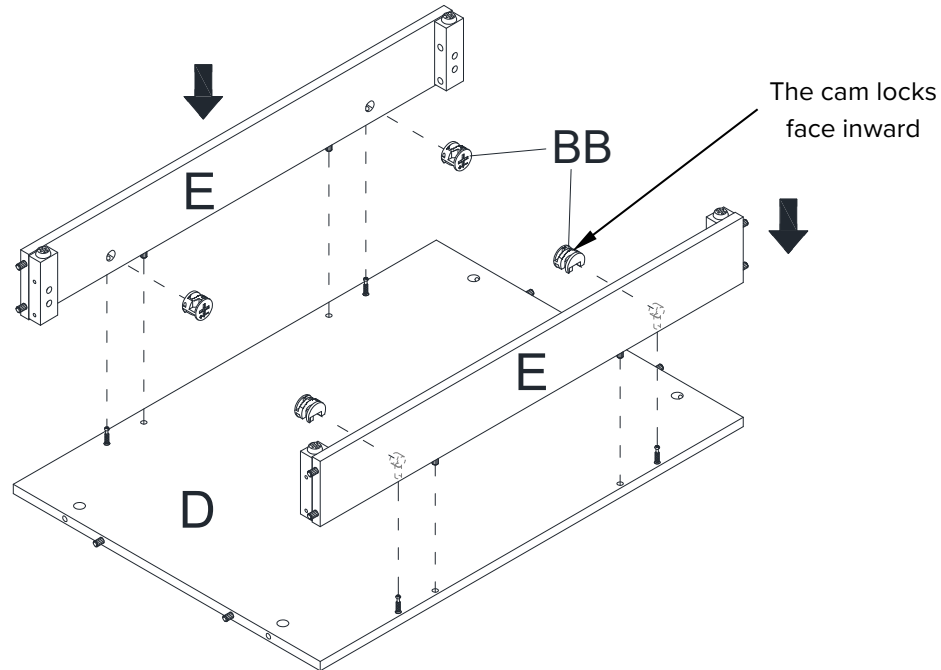
- Orient and attach the partition panel (F) to the lower fixed shelf (C) by engaging 2 large cam locks (BB).



Assembly (continued)

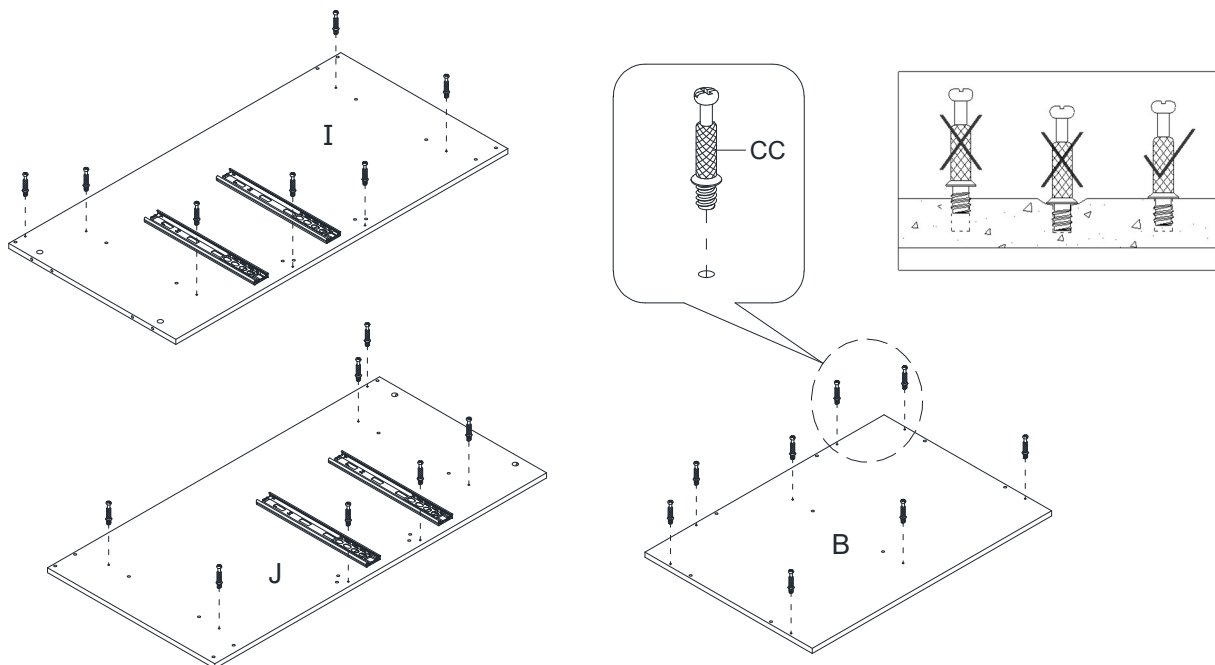
5 Attaching base stretchers

- Align and attach the base stretchers (E) to the bottom panel (D) using 4 large cam locks (BB).



6 Preparing bottom cabinet assembly

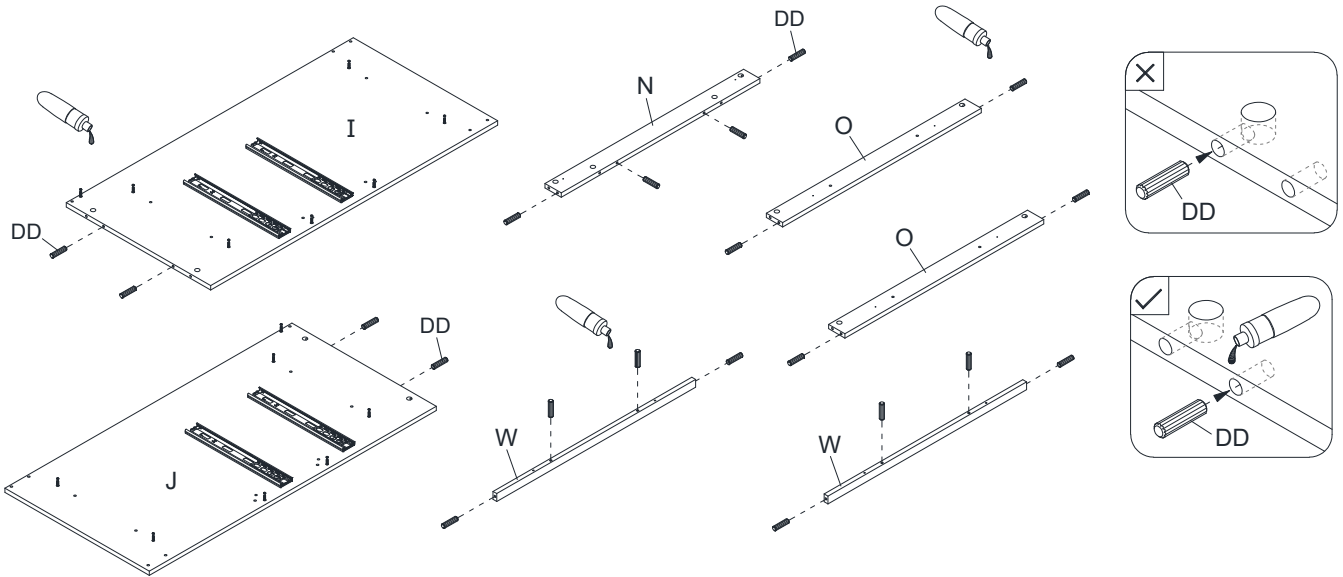
- Securely screw the cam bolts (CC) into the designated small holes on the upper fixed shelf (B) and lower side panels (I and J) using a Phillips screwdriver.



Assembly (continued)

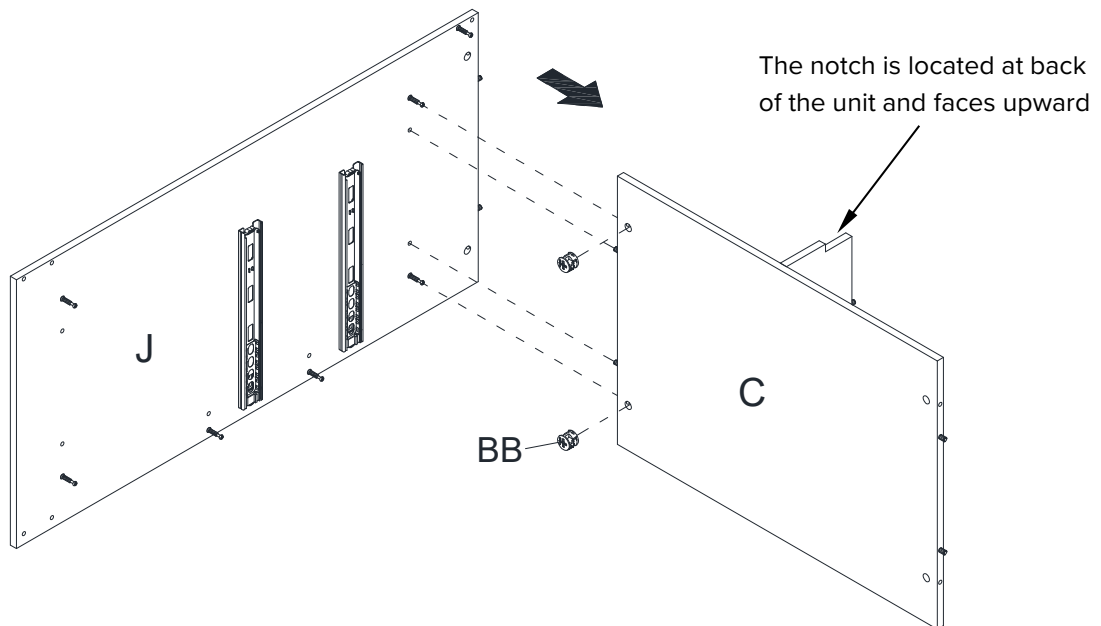
7 Gluing wood dowels

- Glue the wood dowels (DD) into the designated holes on the lower side panels (I and J), middle lower back stretcher (N), front crossbars (O) and front reinforcements (W) as shown.



8 Attaching lower fixed shelf

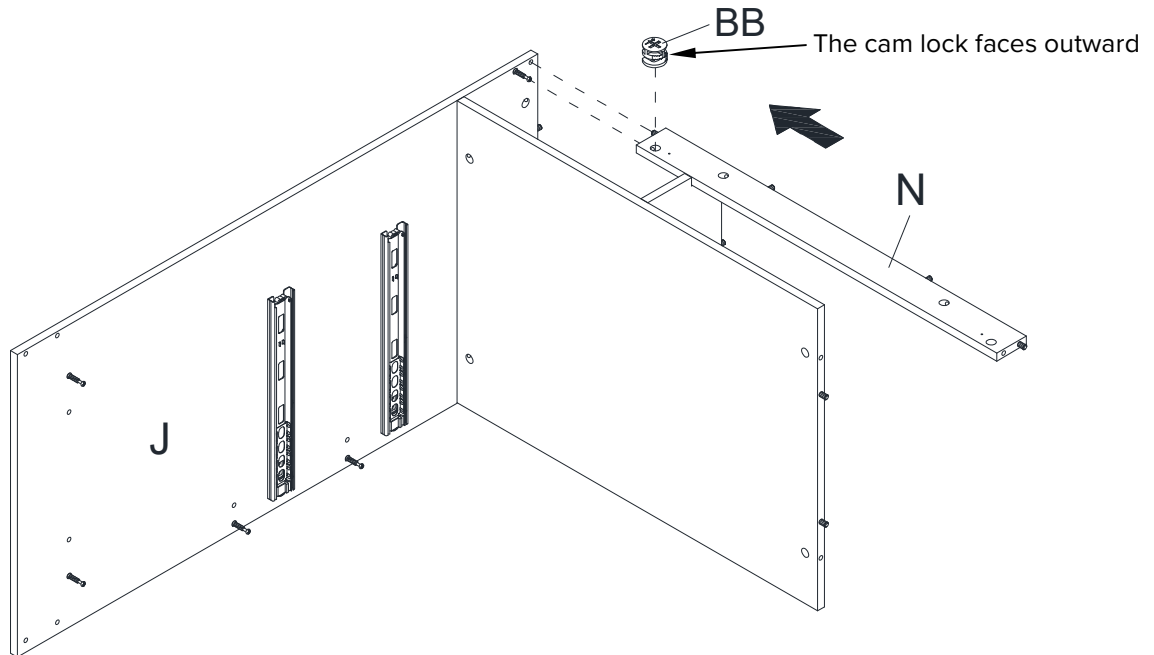
- Attach the assembled lower fixed shelf (C) to the right lower side panel (J) with 2 large cam locks (BB).



Assembly (continued)

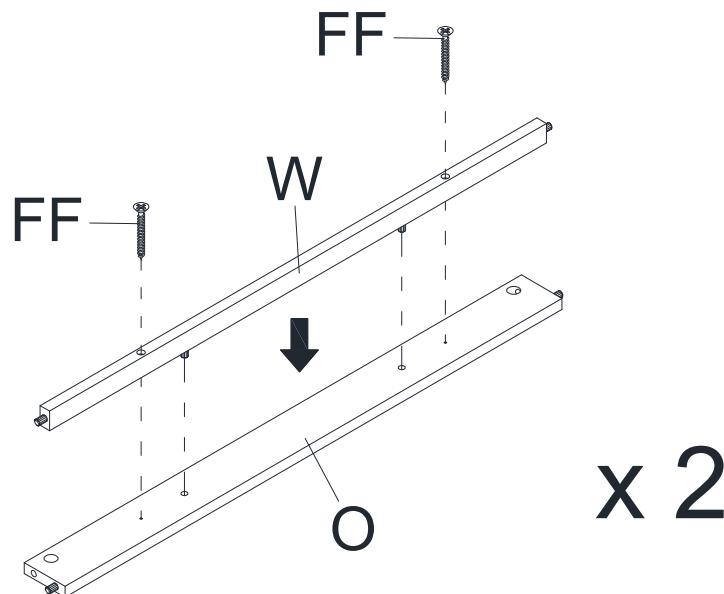
9 Attaching middle lower back stretcher

- Rest the middle lower back stretcher (N) onto the notch of the partition panel (F) and attach it to the right lower side panel (J) by engaging one large cam lock (BB).



10 Combining front crossbars and reinforcements

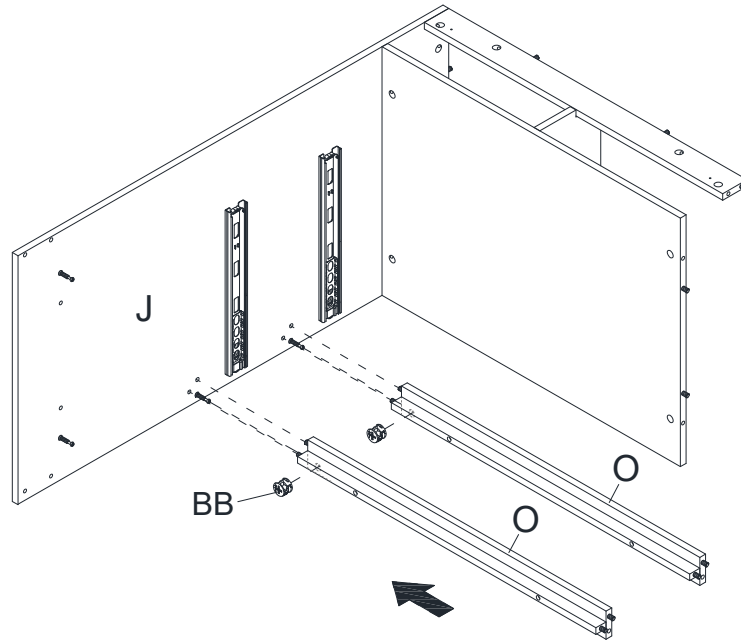
- Using the wood dowels as a guide, fasten one front reinforcement (W) to one front crossbar (O) with two 30mm screws (FF).
- Complete this step two times to combine the other front crossbar and reinforcement.



Assembly (continued)

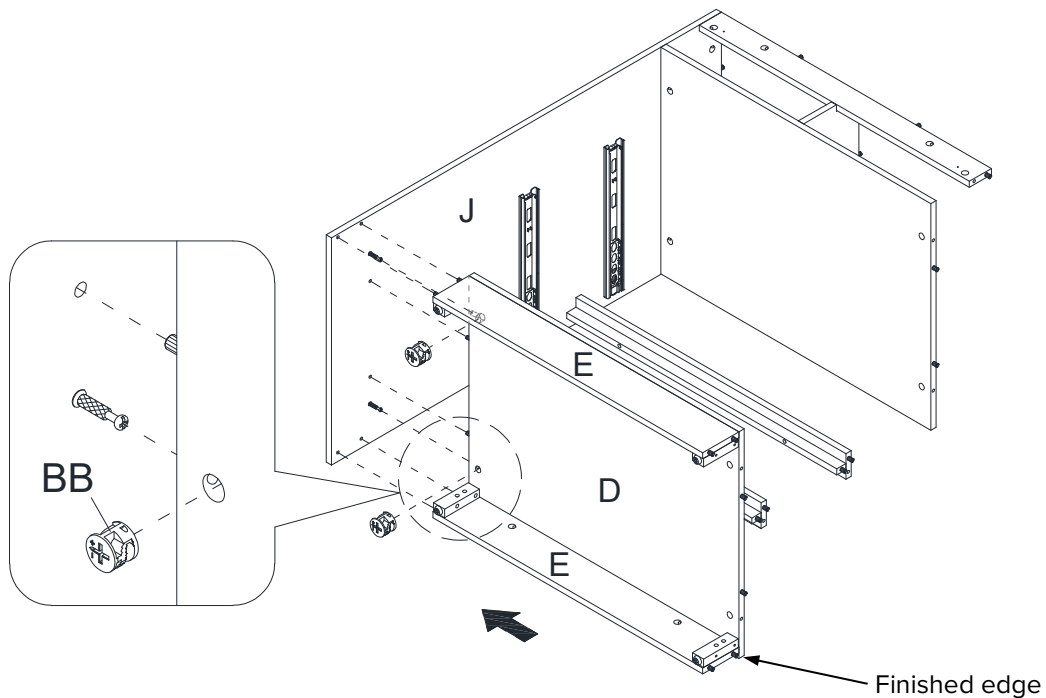
11 Attaching front crossbars

- Align and attach the assembled front crossbars (O) to the right lower side panel (J) by engaging 2 large cam locks (BB).



12 Attaching bottom panel

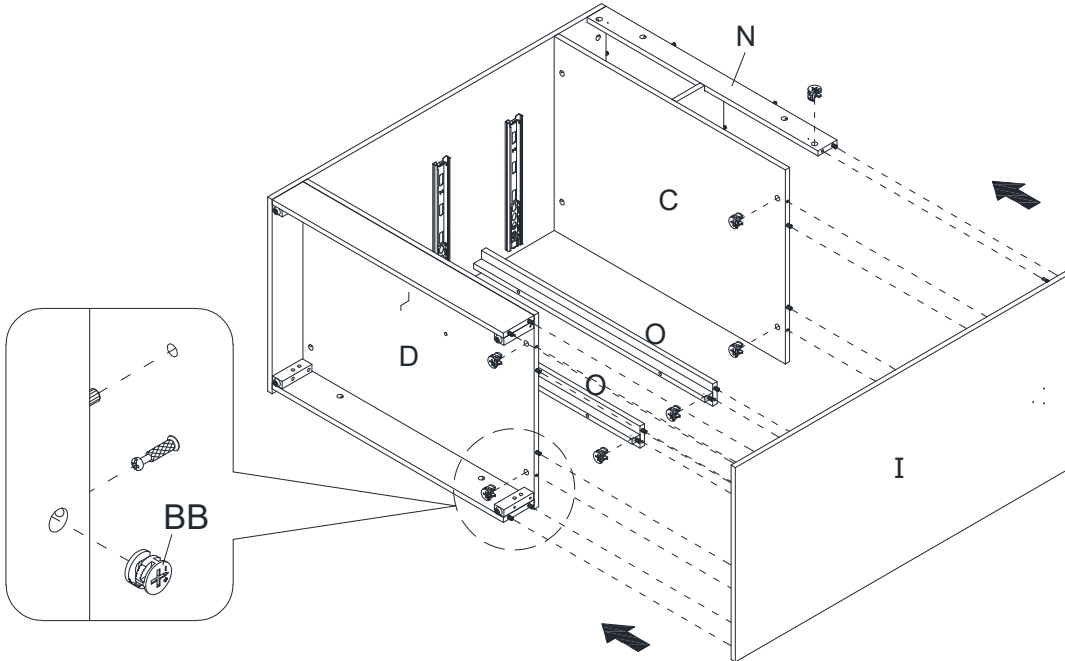
- Orient and attach the assembled bottom panel (D) to the right lower side panel (J) using 2 large cam locks (BB).



Assembly (continued)

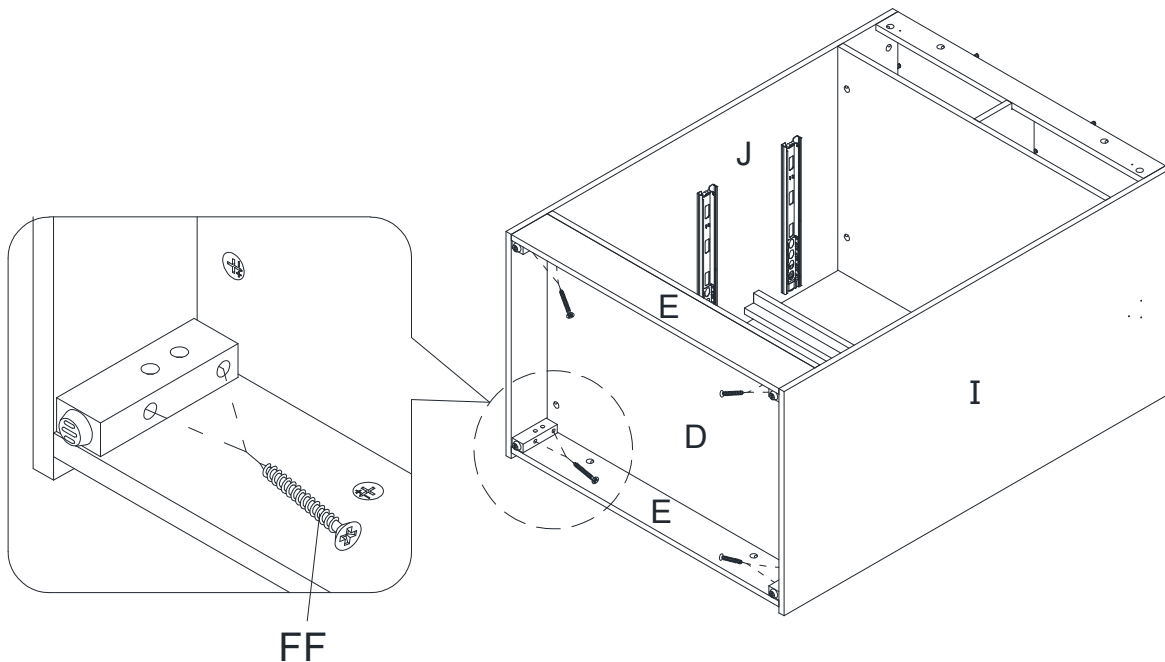
13 Attaching left lower side panel

- Align and attach the left lower side panel (I) to the previous assembly by engaging 7 large cam locks (BB).



14 Fastening base stretchers

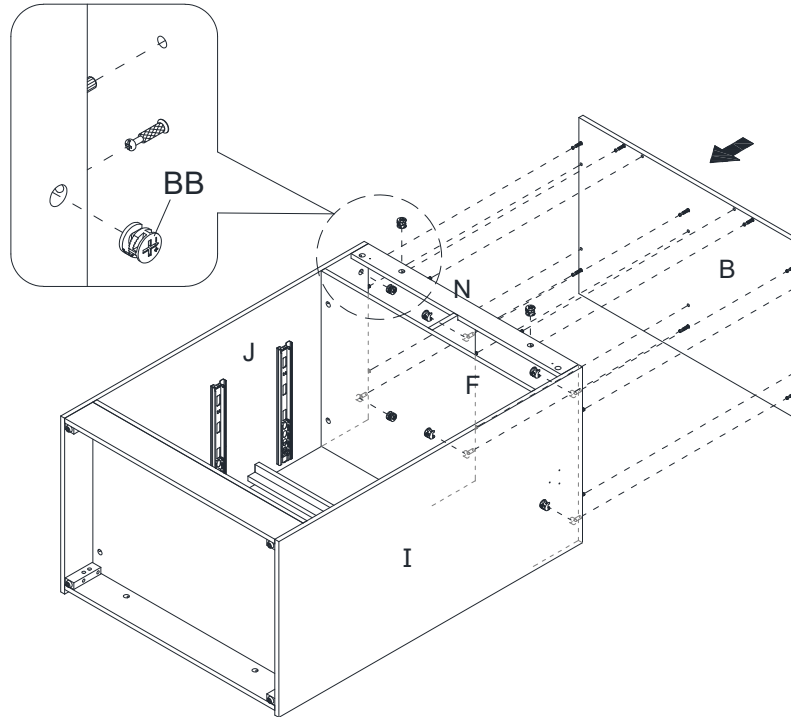
- Fasten the base stretchers (E) to the lower side panels (I and J) with eight 30mm screws (FF).



Assembly (continued)

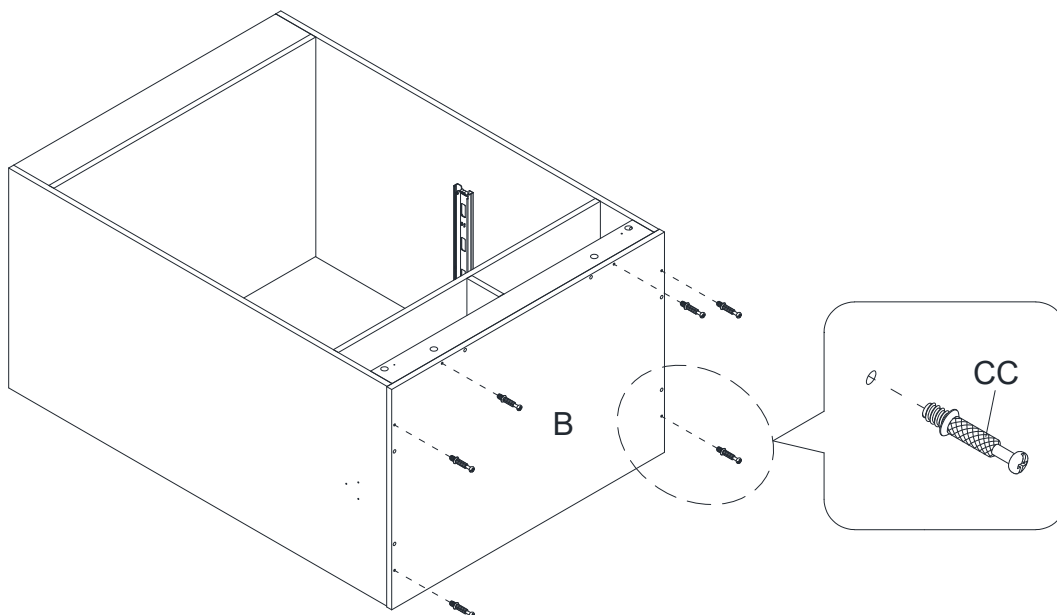
15 Attaching upper fixed shelf

- Using the wood dowels as a guide, align and attach the upper fixed shelf (B) onto the previous assembly by engaging 8 large cam locks (BB).



16 Preparing wardrobe compartment assembly

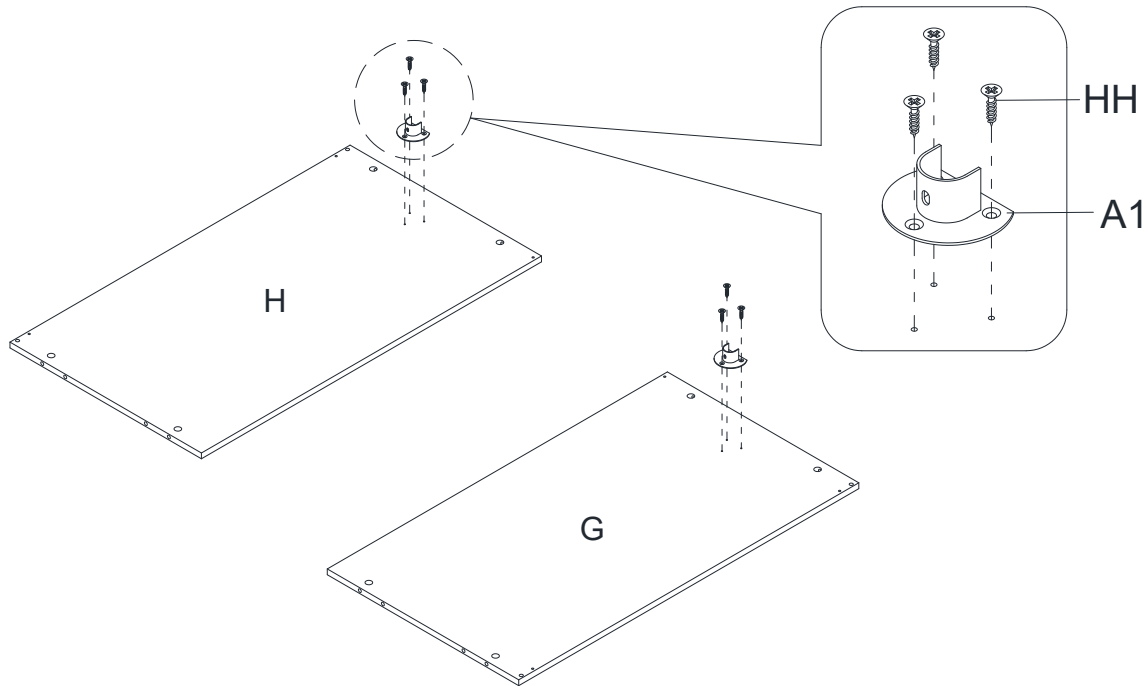
- Securely screw the cam bolts (CC) into the designated small holes on the upper fixed shelf (B) using a Phillips screwdriver.



Assembly (continued)

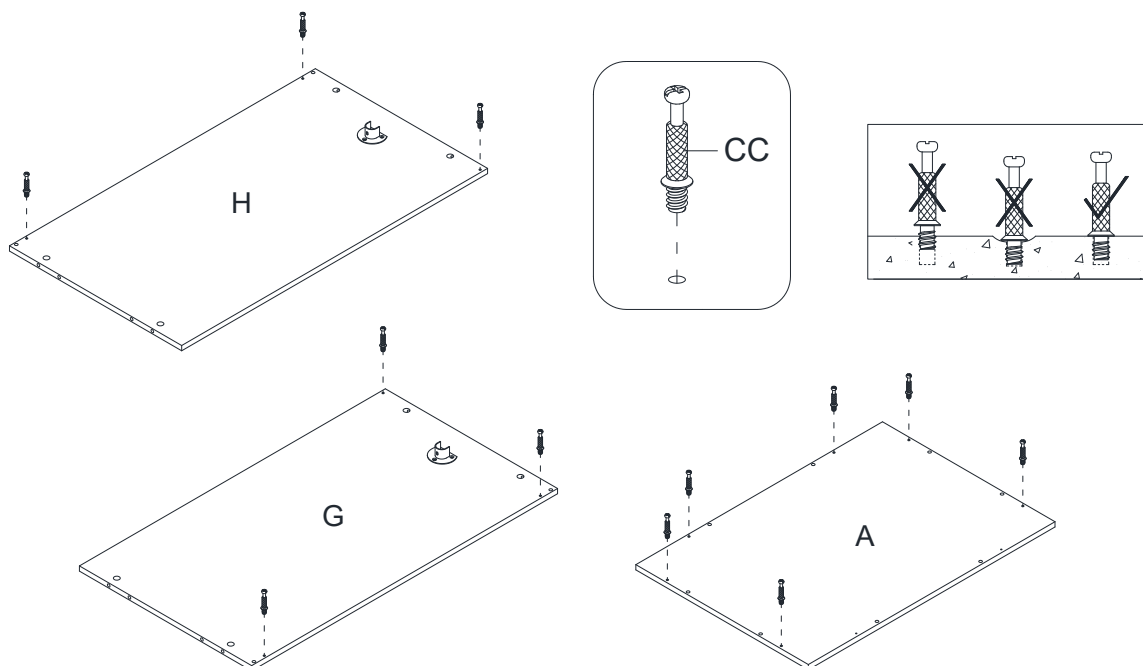
17 Attaching pole holders

- Using the pilot holes as a guide, fasten one pole holder (A1) to the inner side of each upper side panel (G and H) with three 14mm screws (HH).



18 Preparing wardrobe compartment assembly

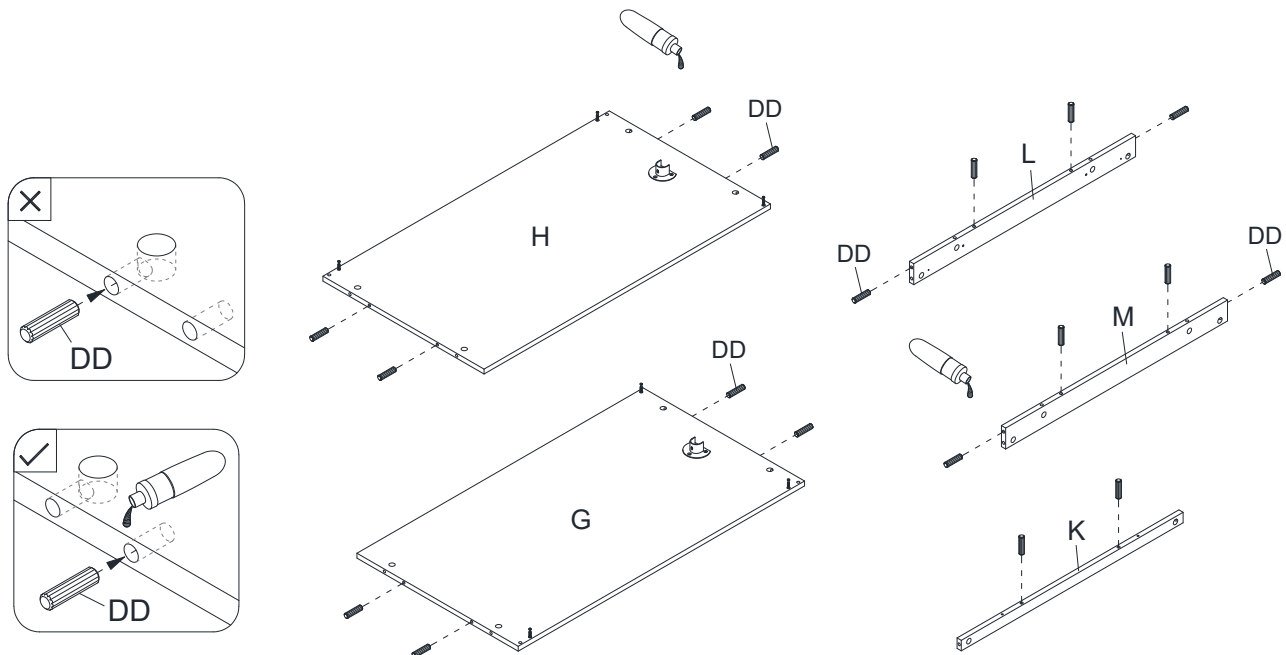
- Securely screw the cam bolts (CC) into the designated small holes on the top panel (A) and upper side panels (G and H) using a Phillips screwdriver.



Assembly (continued)

19 Gluing wood dowels

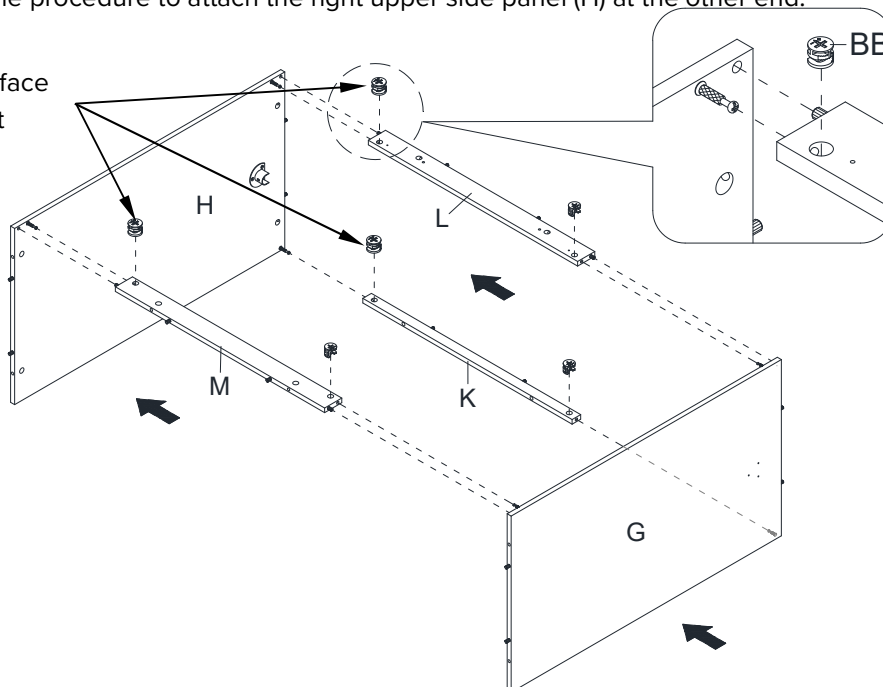
- Glue the wood dowels (DD) into the designated holes on both upper side panels (G and H) and stretchers (K, L and M) as shown.



20 Attaching wardrobe compartment frame

- Align and attach both top stretchers (K and L) and middle upper back stretcher (M) to the left upper side panel (G) by engaging 3 large cam locks (BB). Make sure that the wood dowels on the top front stretcher (K) face top of the unit.
- Repeat the same procedure to attach the right upper side panel (H) at the other end.

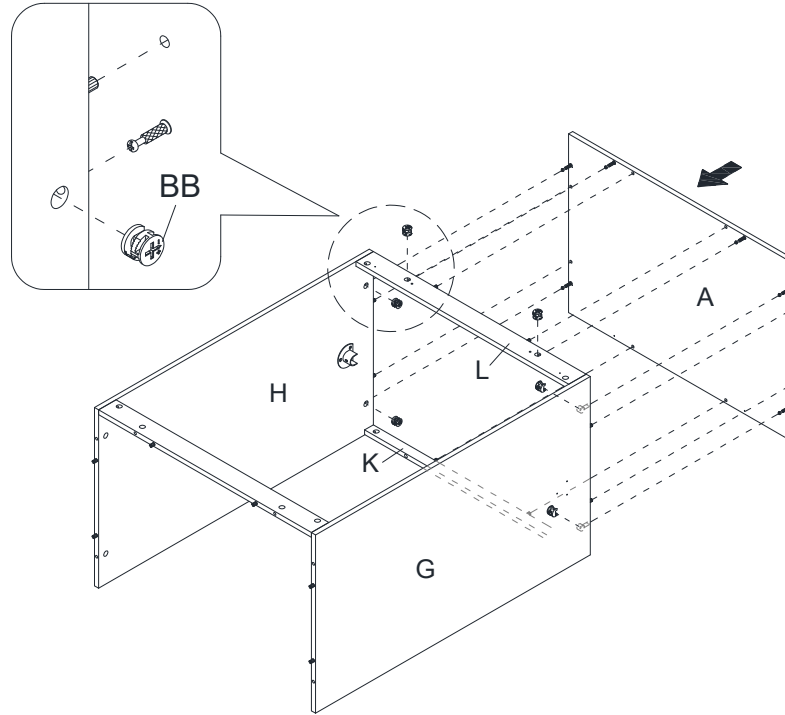
The cam locks face back of the unit



Assembly (continued)

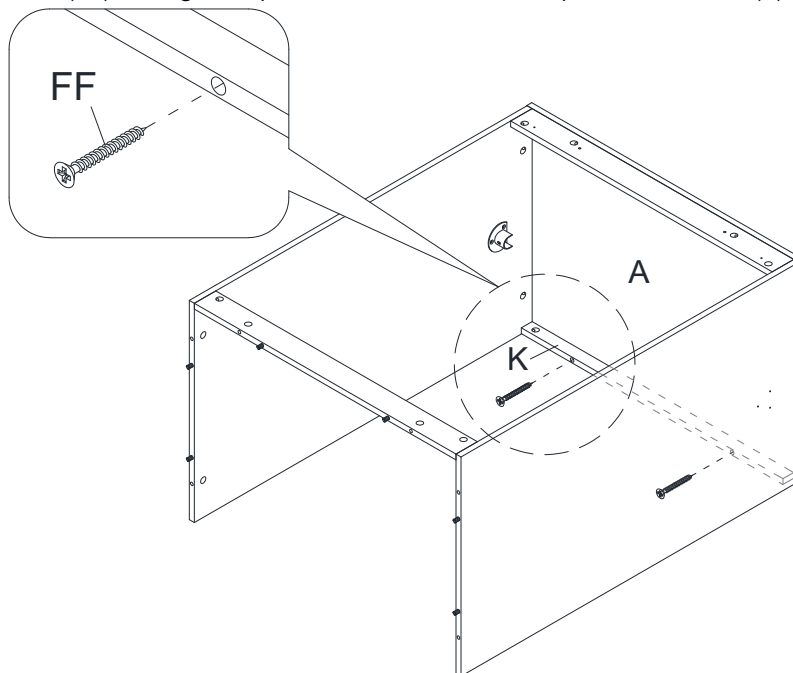
21 Attaching top panel

- Using the wood dowels as a guide, align and attach the top panel (A) to the previous assembly by engaging 6 large cam locks (BB).



22 Fastening top front stretcher

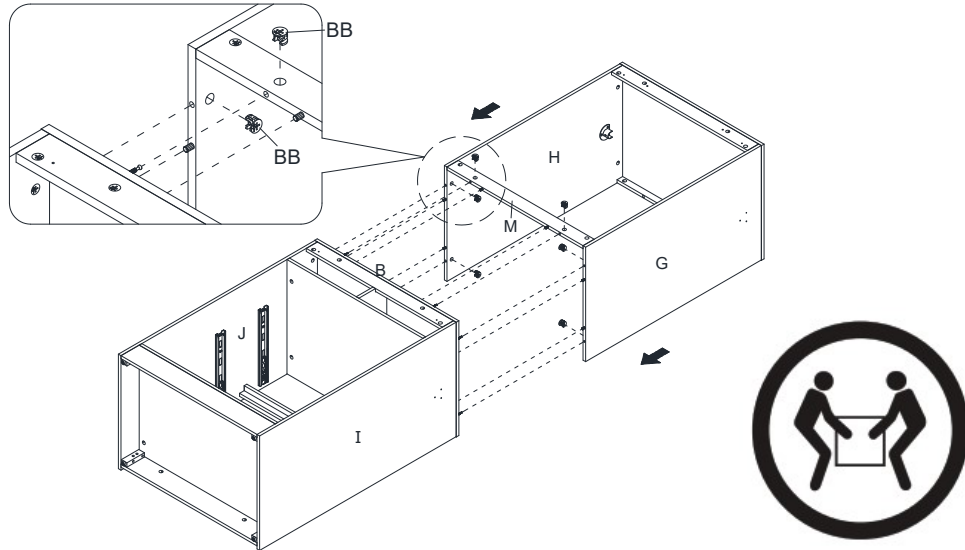
- Insert two 30mm screws (FF) through the pre-drilled holes on the top front stretcher (K) and into the top panel (A).



Assembly (continued)

23 Combining wardrobe compartment with bottom cabinet

- Using the wood dowels as a guide, position the assembled wardrobe compartment onto the bottom cabinet properly and attach them into place with 6 large cam locks (BB).

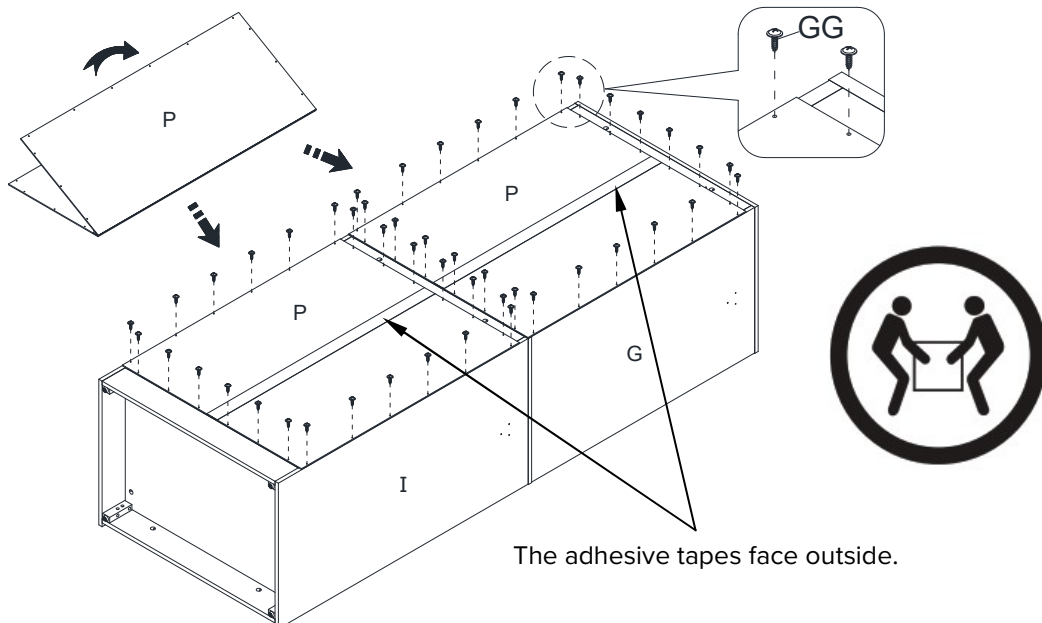


24 Attaching back panels

- Now, go back and securely tighten all the cam locks and screws. Make sure all the parts are tight and there are no gaps between the parts. This will help keep the unit square.
- Unfold one back panel (P) and align the pre-drilled holes against the upper edges with the pilot holes on the back of the top back stretcher (L). Fasten it in place using the provided washer head screws (GG).
- Using the pilot holes on middle lower back stretcher (N) as a guide, fasten the other back panel (P) to the bottom cabinet with the provided washer head screws (GG).



NOTE: We recommend attaching back panel with the screws at the corners first.



Assembly (continued)

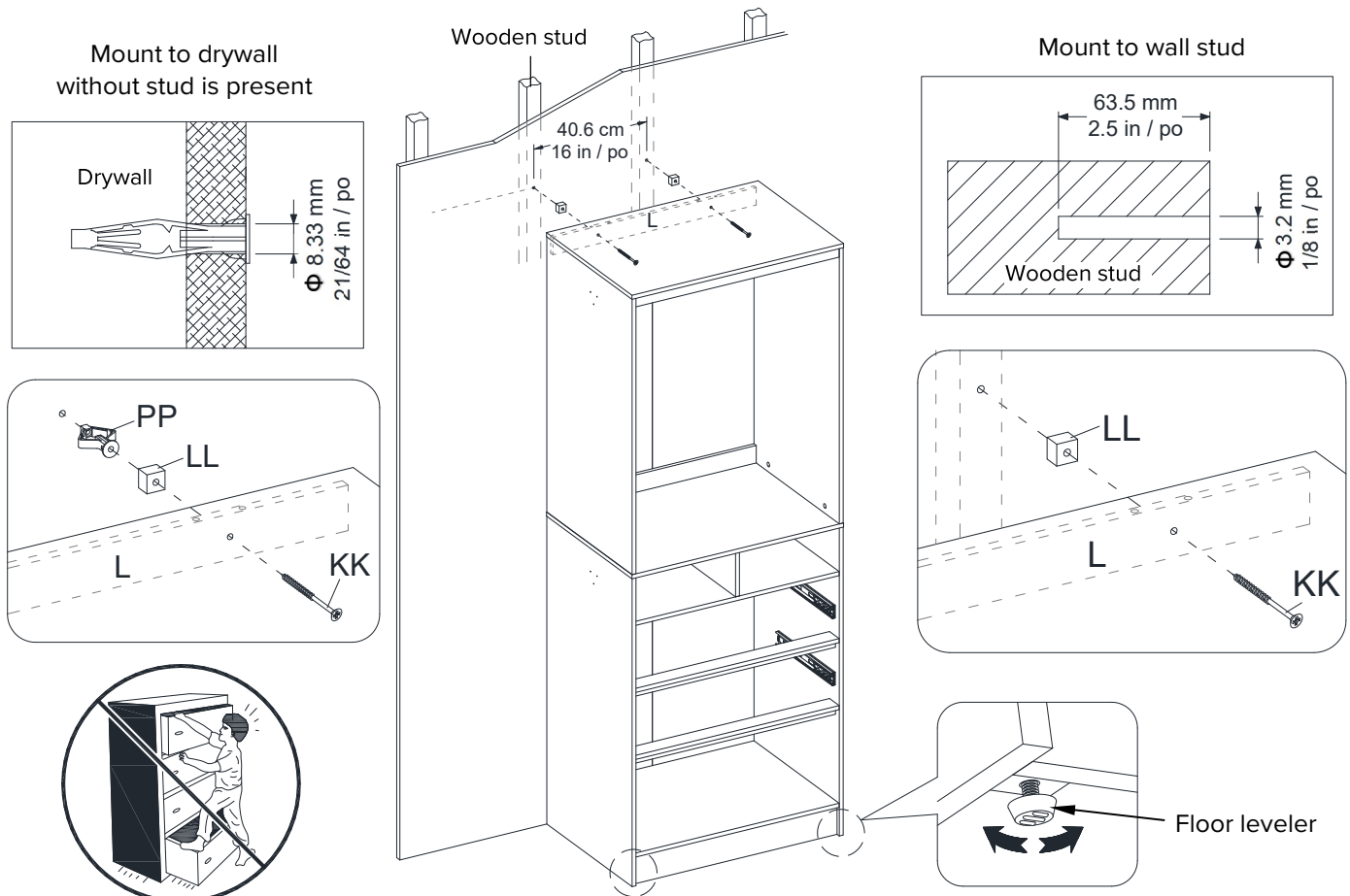
25 Mounting closet to a stud wall to avoid tipping

- Consider the proper position relative to your room and find the optimum place to mount your closet. Be sure to leave the desired space to the other walls to set your expandable hanging poles. For safety purpose, the maximum span of expandable hanging poles should not exceed 60”.
- With assistance, lift the assembled unit upright and against the wall in the desired location. If necessary, adjust the floor levelers pre-attached on both base stretchers (E) to correct tilting, until the unit is level. Draw a level line on the wall at the desired height where the through holes on the top back stretcher (L) will line up properly.
- Remove the closet and locate the position of the nearest studs with a stud finder and mark the outside edges and center locations. Mark out two mounting hole location 16 inches apart on the level line you just drew on the wall.



NOTE: It is **critical** to mount your closet to the studs in your wall. We provide wall anchors (PP) to assist you on the properly attachment to the wall. You must use wall anchors if no stud is present. Failure to do so will result in a weakened installation and causing any accidents or damage.

- **Mount to wall stud:** With an electric drill (not included) on its low setting, drill 1/8” (3.2mm) diameter holes to at least 2½ inch (63.5mm) deep on the two marked points.
- **Mount to drywall without stud is present:** With an electric drill (not included) on its low setting, drill 21/64” (8.3mm) diameter holes through the gypsum board on the two marked points. Clean the holes from dust and insert one wall anchor (PP) into each hole. Gently tap the wall anchors (PP) with a hammer until they are flush with the wall.
- Replace the closet to against the wall in the desired location. Insert two 75mm wood screws (KK) through the through holes on the top back stretcher (L) through two spacer blocks (LL) and securely screw into the inserted wall anchors (PP) or the drilled holes in the wall stud.



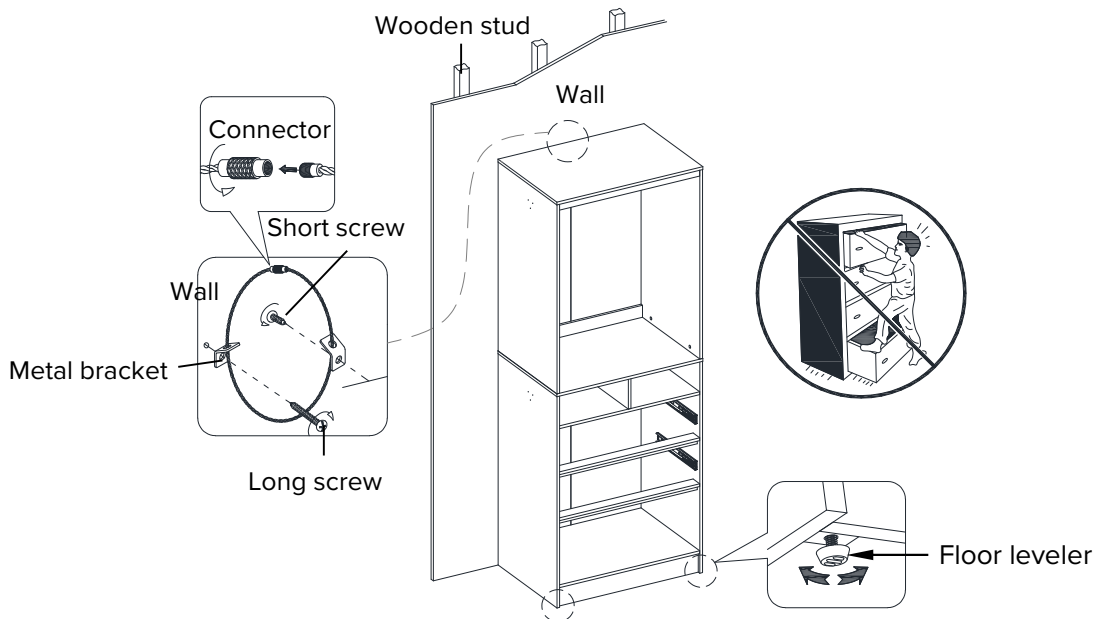
Assembly (continued)

26 Installing tipping restraint hardware



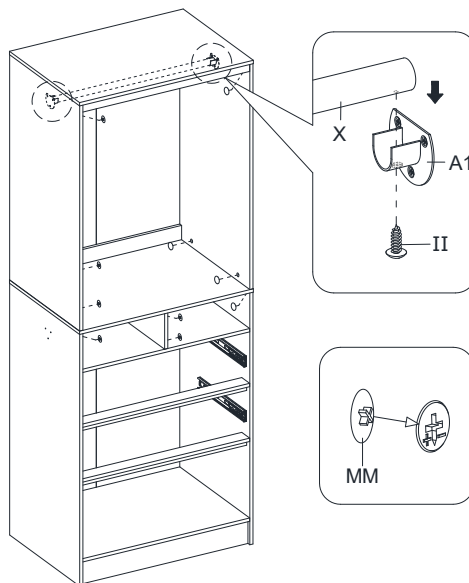
WARNING: Young children can be seriously injured by tipping furniture. You must install the tipping restraint hardware with the unit to prevent the unit from tipping, causing any accidents or damage. The tipping restraints are intended only as a deterrent, they are not a substitute for proper adult supervision. The tipping restraints are not earthquake restraints. If you wish to add the extra security of earthquake restraints, they must be purchased and installed separately.

- We provided one set of tipping restraint hardware kit for extra safety. Follow the instructions printed on the plastic bag containing the tipping restraint hardware to attach the tip-over restraints to the unit and the wall.



27 Installing the fixed hanging pole

- Position the fixed hanging pole (X) onto the installed open pole holders (A1) and lock it into place with two 16mm self-tapping screws (II).
- Plug the cam lock covers (MM) onto the visible cam locks to conceal the cams.



Assembly (continued)

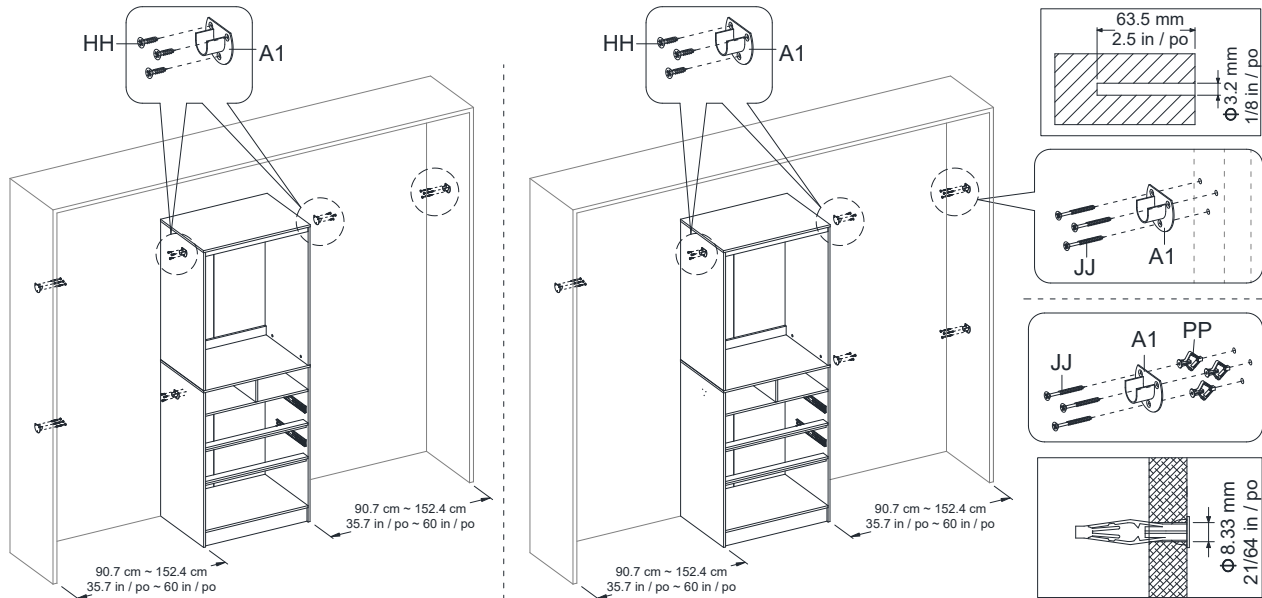
28 Installing pole holders for expandable poles

- Using the pilot holes as a guide, attach 3 pole holders (A1) to the outside of the closet with nine 14mm screws (HH).
- Rest the expandable poles onto the pole holders as reference to mount 3 pole holders (A1) at the same level on the side walls. Use a level to make sure they are at the same level and the open cut of each pole holder (A1) faces up.
- Using the pole holder (A1) as a template, mark out the corresponding drill points on the side walls with a pencil.
- **Mount to wall stud:** With an electric drill (not included) on its low setting, drill 1/8" (3.2mm) diameter holes to at least 2½ inch (63.5mm) deep on the marked points.
- **Mount to drywall without stud is present:** With an electric drill (not included) on its low setting, drill 21/64" (8.3mm) diameter holes through the gypsum board on the marked points. Clean the holes from dust and insert one wall anchor (PP) into each hole. Gently tap the wall anchors (PP) with a hammer until they are flush with the wall.



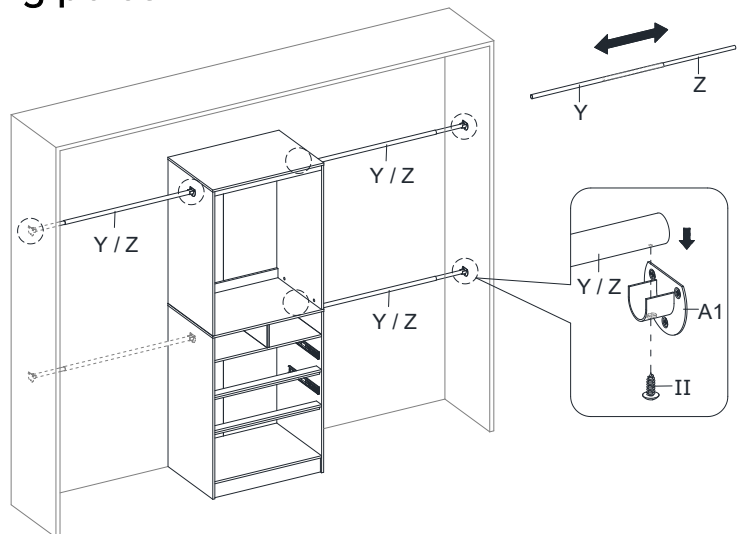
NOTE: It is **critical** to mount your pole holders to the studs in your wall. We provide wall anchors (PP) to assist you on the properly attachment to the wall. You must use wall anchors if no stud is present. Failure to do so will result in a weakened installation and causing any accidents or damage.

- Secure the pole holders (A1) to the side walls with 65mm screws (JJ) provided.



29 Installing expandable hanging poles

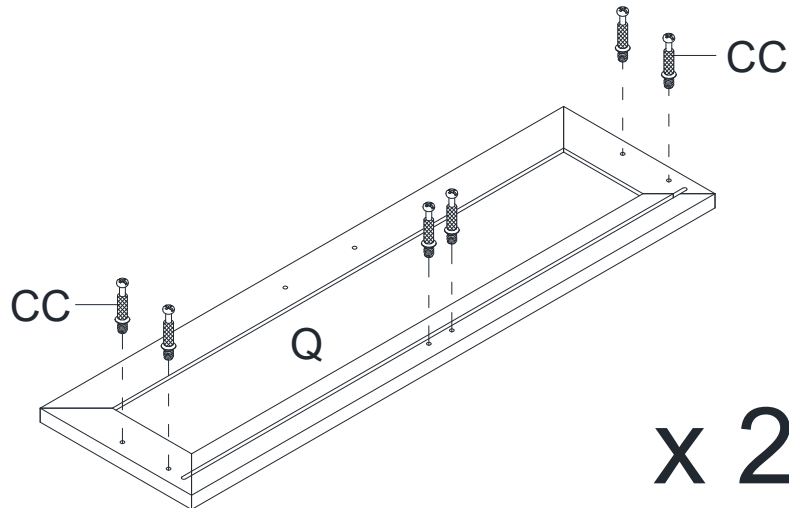
- Insert the expandable inner pole (Z) into each of expandable outer poles (Y).
- Position the combined poles onto the pole holders (A1) installed and lock them into place with six 16mm self-tapping screws (II).



Assembly (continued)

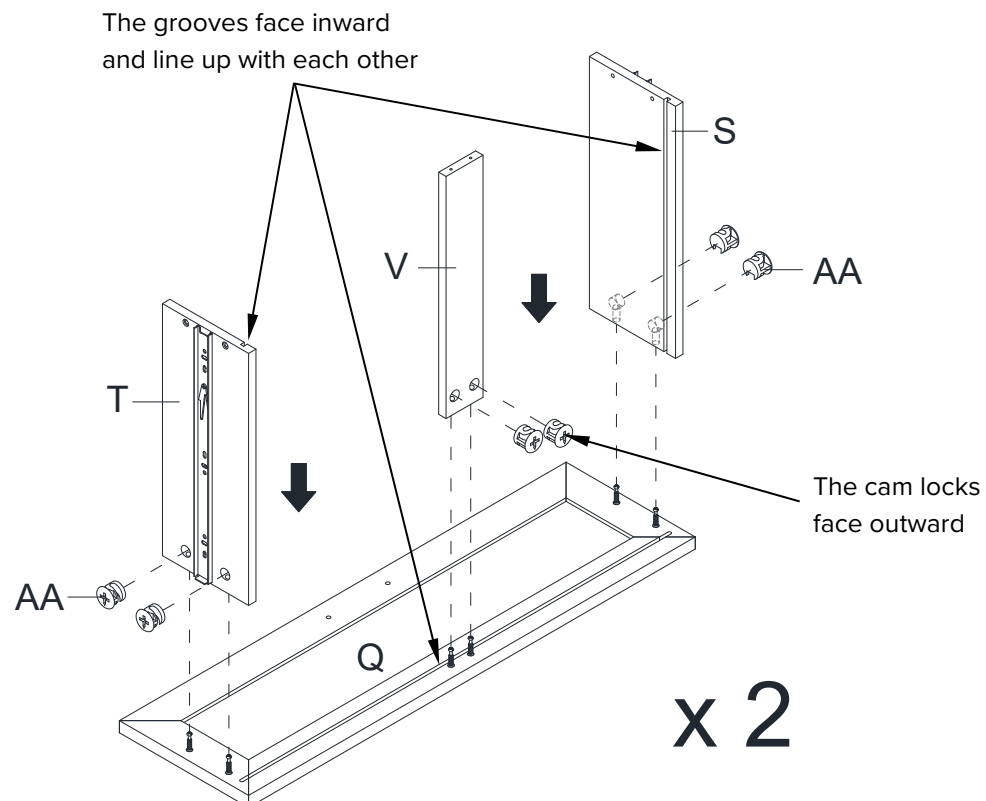
30 Preparing drawer assembly

- Securely screw six cam bolts (CC) into the designated small holes on one drawer front panel (Q) using a Phillips screwdriver.



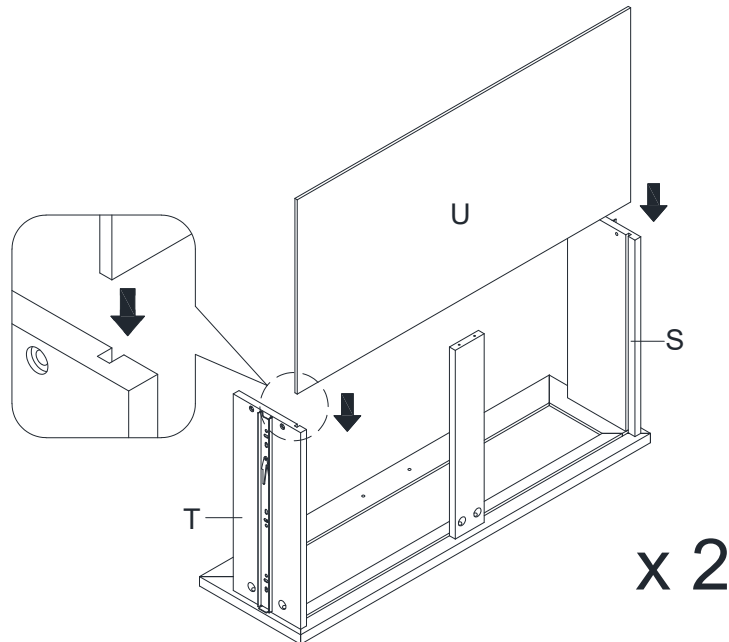
31 Attaching drawer side panels and bottom support

- Attach the drawer side panels (S and T) to one drawer front panel (Q) by engaging 4 small cam locks (AA).
- Orient and attach one drawer bottom support (V) to the drawer front panel (Q) with 2 small cam locks (AA).



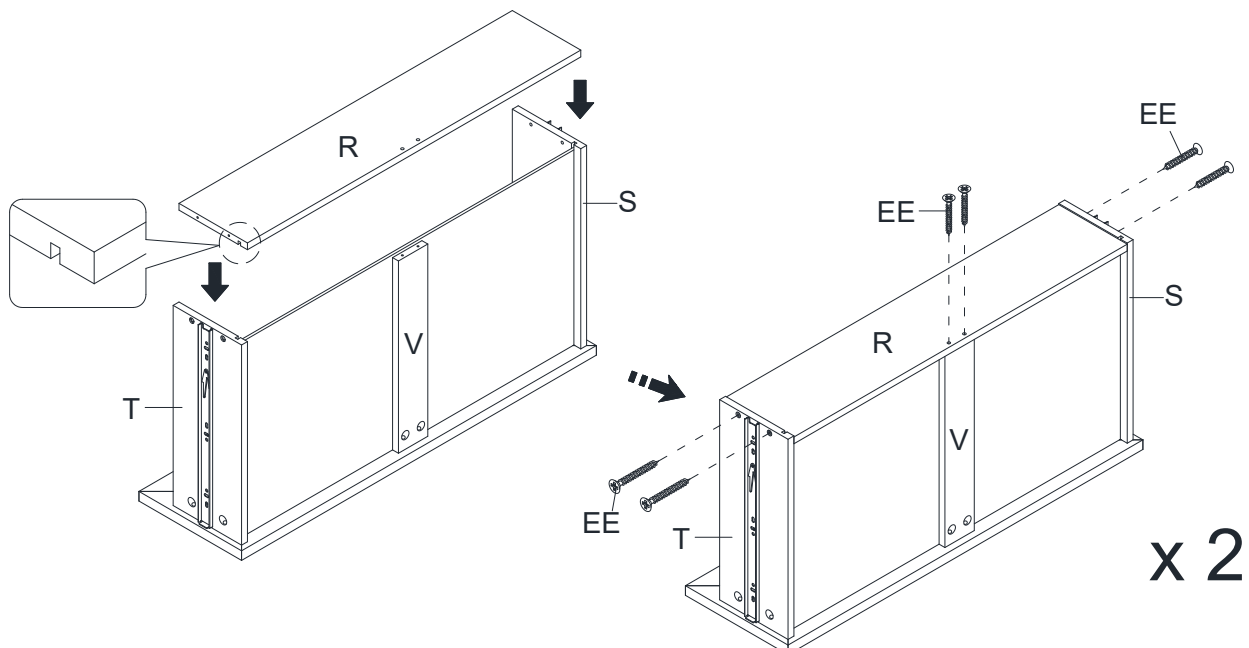
32 Attaching drawer bottom panel

- Slide the drawer bottom panel (U) into the grooves on the drawer side panels (S and T) until fully inserted into the drawer front panel (Q).



33 Attaching drawer back panel

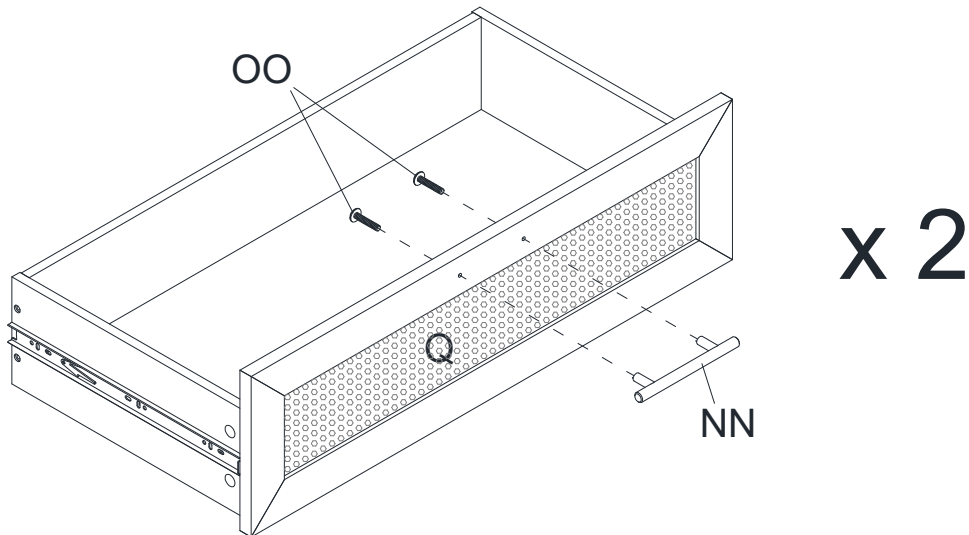
- Fasten one drawer back panel (R) between the drawer side panels (S and T) with four 38 mm screws (EE). Make sure that the drawer bottom panel (U) fits securely into the groove on the drawer back panel (R). Tighten the screws with a Phillips screwdriver.
- Insert two 38mm screws (EE) through the drawer back panel (R) and screw into the drawer bottom support (V).



Assembly (continued)

34 Installing drawer handle

- Turn the assembled drawer upright and attach one handle (NN) to the front side of the drawer front panel (Q) with two 25 mm bolts (OO).
- Repeat the previous steps to assemble an additional drawer assembly.

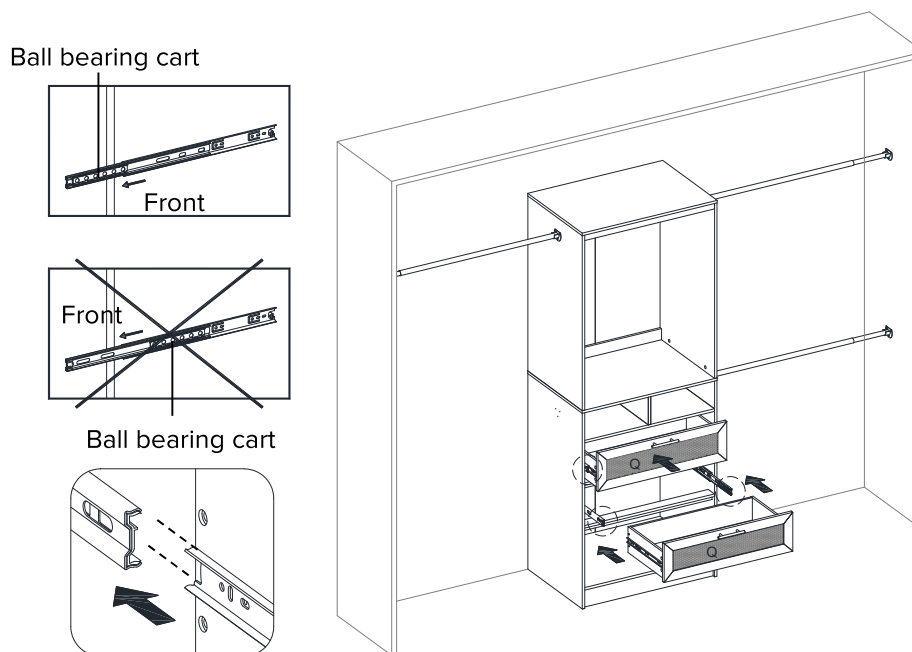


35 Installing drawers

- Insert the assembled drawers to the bottom cabinet. Extend the ball bearing slide tracks on the unit all the way forward (including ball bearing cart). Then align the slide runners on the assembled drawer with the slide tracks and push the drawer carefully inside until it stops.



NOTE: If the drawer does not go in smoothly, please take it out and repeat the step. If you need to remove the drawer, please pull the drawer all the way out, then simultaneously pushes the plastic release lever of the ball bearing slides up on one side and down on the other side, and then pull it completely out.



Care and Maintenance

To clean and care for your furniture:

- Use a soft, clean cloth that will not scratch the surface when dusting.
- Use of furniture polishes is not necessary. Should you choose to use polishes, test first in an inconspicuous area.
- Using solvents of any kind on your furniture may damage the finish.
- Never use water to clean your furniture as it may cause damage to the finish.
- Always use coasters under beverage glasses and flowerpots.
- Liquid spills should be removed immediately. Using a soft, clean cloth, blot the spill gently. Avoid rubbing.
- Always use protective pads under hot dishes and plates. Heat can cause chemical changes that may create spotting within the furniture finish.
- In the event that your furniture is stained or otherwise damaged during use, we recommend that you call a professional to repair your furniture.
- Check bolts/screws periodically and tighten them if necessary.
- Periodically check to make certain all components are properly positioned, free from damage and firmly connected.
- A touch-up pen is included to minimize the small nicks or scratches that may occur during assembly or shipping.

CARING FOR WOOD FURNITURE

It is best to keep your furniture in a climate-controlled environment. Extreme temperature and humidity changes can cause fading, warping, shrinking and splitting of wood. It is advised to keep furniture away from direct sunlight as sun may damage the finish.

Proper care and cleaning at home will extend the life of your purchase. Following these important and helpful tips will enhance your furniture as it ages.



WARNING

- Unit must be placed on a level surface or leveled with included hardware (when applicable).
- Do not sit or stand on or allow children to climb, sit or stand on the assembled product.
- For safety reasons, it is imperative that this unit be mounted to the wall or floor.
- Unit can tip over causing severe injury or death.
- Never open more than one drawer at a time.
- Do not exceed the recommended weight limits.
- Before cutting, drilling or hammering into any wall or floor surface, verify the location of electrical, plumbing and gas lines. Cutting may cause serious injury.

SCOTT  LIVING™

BY DREW & JONATHAN



We're not happy unless you're happy, so we offer a 30-day Love It Guarantee. If for any reason you don't love your Scott Living product, you can return it to your place of purchase within 30 days of the date on your receipt for a full refund — no questions asked.

RETURN POLICY FOR CUSTOM ITEMS VARY. PLEASE CHECK WITH YOUR RETAILER FOR DETAILS.

Questions, problems, missing parts? Before returning to the store,
call Customer Service

1-866-942-5362

Pacific Standard Time: 8:30 a.m. - 4:30 p.m., Monday - Friday

Or visit our web site 24 hours a day, 7 days a week for product assistance at

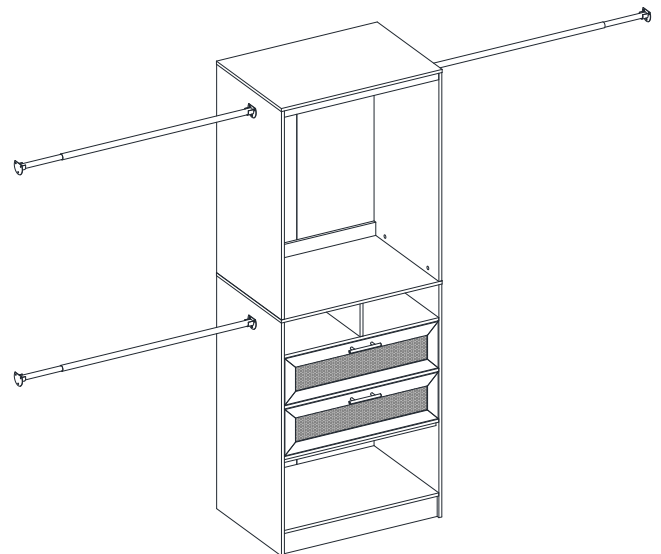
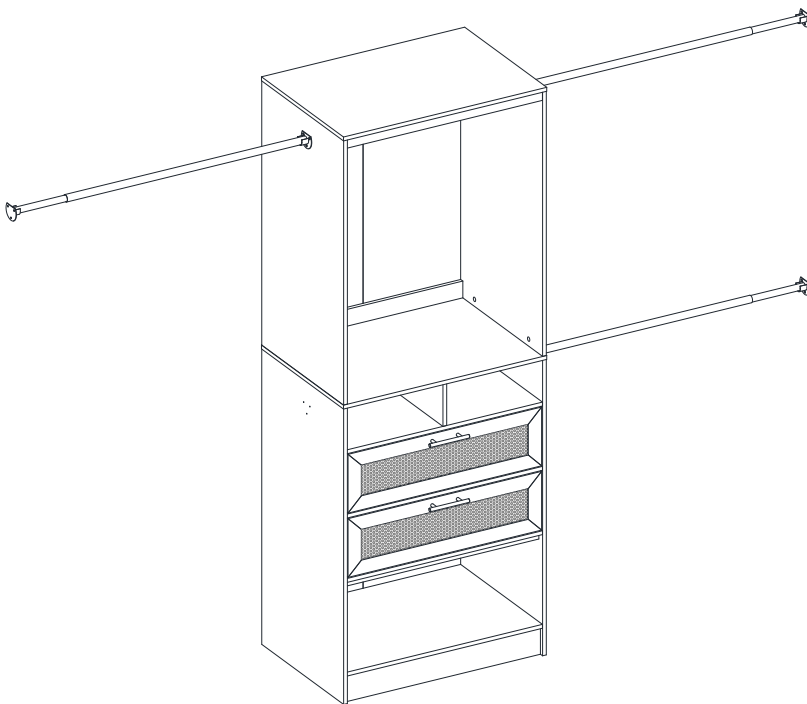
www.whalenfurniture.com

Or e-mail your request to **parts@whalenfurniture.com**

Retain this manual for future use.

INSTRUCTIVO DE ENSAMBLE

Organizador para closet



Configuración opcional

¿Preguntas, problemas, partes que falten? Antes de regresar a la tienda,
llame al servicio al cliente

1-866-942-5362

Hora estándar del Pacífico: 8:30 a.m. - 4:30 p.m., de Lunes a Viernes
O visite nuestra página de Internet 24 horas al día, 7 días a la semana para asistencia

www.whalenfurniture.com

O mande un correo electrónico a **parts@whalenfurniture.com**

GRACIAS

Apreciamos la confianza y confidencia que ha puesto en Scott Living by Drew & Jonathan a través de la compra de este closet. Nos esforzamos para crear productos de calidad diseñados para mejorar su casa. Visítenos en línea para ver nuestra línea completa de productos disponibles para sus necesidades de mejorar su casa.

¡Gracias por escoger Scott Living by Drew & Jonathan!

Lista de contenidos


Lista de contenidos2
 Información de seguridad.....2
 Máximo peso recomendado2
 Garantía2
 Pre-ensamble2
 Planeando el ensamble2

Herramientas requeridas.....2
 Ferretería incluida3
Ensamble..... 5
Cuidado y mantenimiento 23
 Cuidando su mueble de madera23

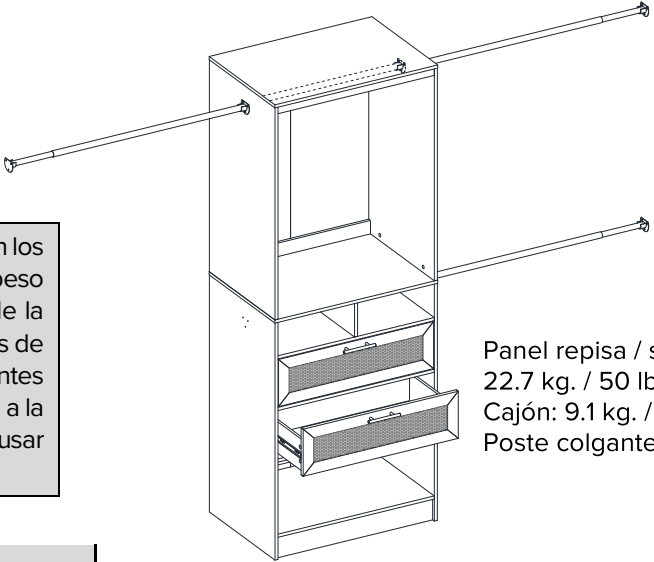
Información de seguridad

Por favor lea y entienda estas instrucciones antes de ensamblar y usar esta consola. Guarde estas instrucciones para referencia futura.

MÁXIMO PESO RECOMENDADO



ADVERTENCIA: esta unidad debe utilizarse con los pesos máximos indicados. Si se excede el peso máximo, podría resultar en una inestabilidad de la unidad causando posibles lesiones. Por razones de seguridad, el rango máximo de los postes colgantes no debe exceder 60". No abra más de un cajón a la vez y no se pare sobre el cajón, esto puede causar que la unidad se caiga hacia adelante.



Panel repisa / superior / inferior:
 22.7 kg. / 50 lb.
 Cajón: 9.1 kg. / 20 lb.
 Poste colgante: 13.6 kg. / 30 lb.

Garantía

Estamos confiados de que va a estar encantado con su compra. Si el producto es defectivo en el ensamblaje o en los materiales, o falla dentro del uso normal, nosotros lo repararemos o lo re-emplazaremos hasta por un año a partir de la fecha de compra.

Esta garantía le proporciona derechos legales específicos y talvez tenga otros derechos que varían de estado a estado.

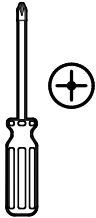
Contacte al equipo de servicio al cliente al 1-866-942-5362 o visite www.whalenfurniture.com.

Pre-ensamble

PLANEANDO EL ENSAMBLE

Comparar todas las partes con la lista de ferretería incluida y contenido del paquete. Si alguna parte parece estar perdida o dañada, no ensamble este producto y contacte al equipo de servicio al cliente al 1-866-942-5362.

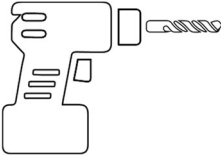
HERRAMIENTAS REQUERIDAS



Desarmador estrella (no provisto)



Buscador de barros (no provisto)



Taladro y brocas (no provistos)



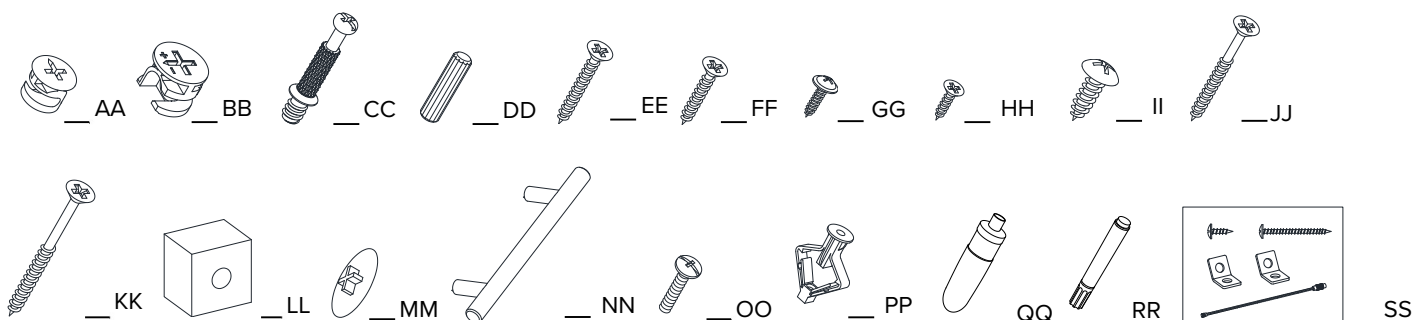
Nivelador (no provisto)

Pre-ensamble (continuación)

FERRETERÍA INCLUIDA



NOTA: La ferretería no está mostrada al tamaño real.

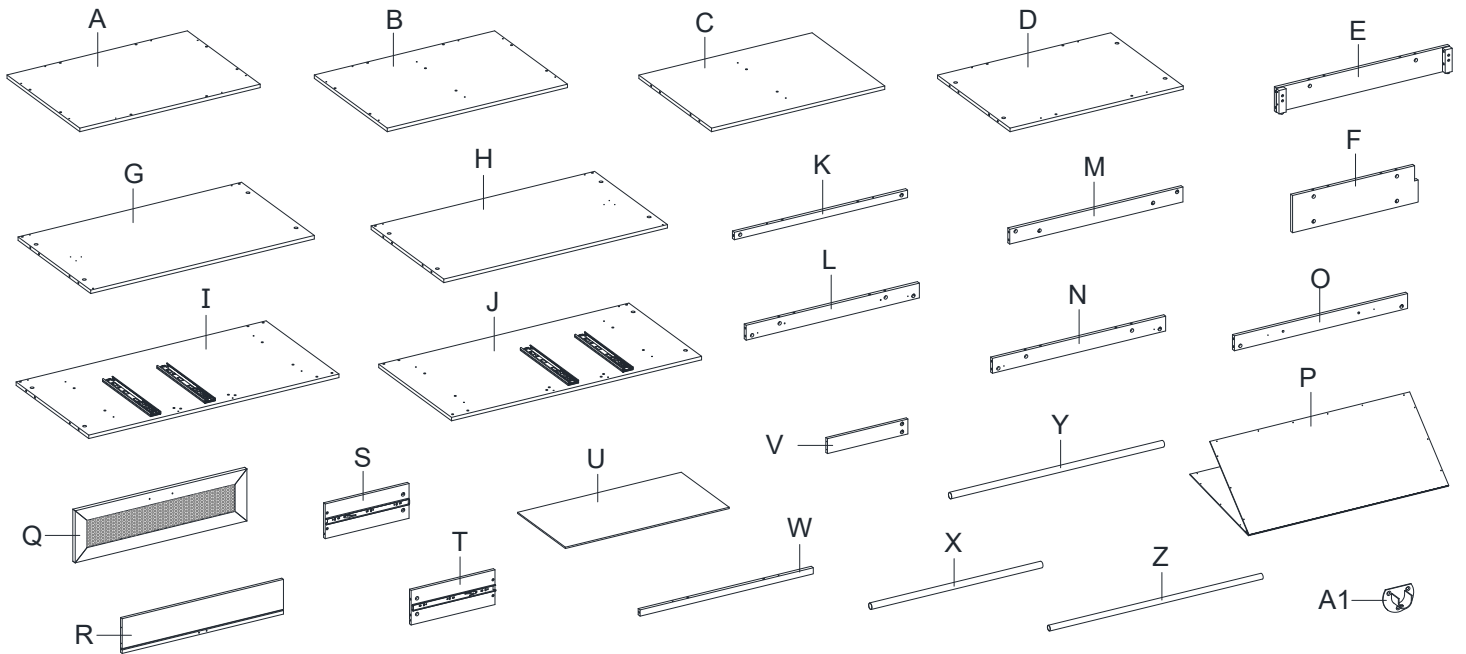


Parte	Descripción	Cantidad
AA	Tuerca de fijación pequeña	12+1 extra
BB	Tuerca de fijación grande	46+2 extra
CC	Perno de fijación	58+2 extra
DD	Clavija de madera	62+2 extra
EE	Perno de M4 x 38mm	12+1 extra
FF	Perno de M4 x 30mm	14+1 extra
GG	Perno de cabeza de arandela	48+2 extra
HH	Perno de M3.5 x 14mm	15+1 extra
II	Perno especial de M4 x 16mm	8+1 extra
JJ	Perno de M4 x 65mm	9+1 extra

Parte	Descripción	Cantidad
KK	Perno de M4 x 75mm	2
LL	Bloque espaciador	2
MM	Tapa de la tuerca de fijación	16+1 extra
NN	Manija	2
OO	Perno para manija	4
PP	Ancla para pared	11+1 extra
QQ	Pegamento	2
RR	Bolígrafo de retoque	1
SS	Juego de restricción de movimiento	1

Pre-ensamble (continuación)

CONTENIDO DEL PAQUETE



Parte	Descripción	Cantidad
A	Panel superior	1
B	Repisa fija superior	1
C	Repisa fija inferior	1
D	Panel inferior	1
E	Soporte para base	2
F	Panel divisor	1
G	Panel izquierdo superior	1
H	Panel derecho superior	1
I	Panel izquierdo inferior	1
J	Panel derecho inferior	1
K	Soporte superior frontal	1
L	Soporte superior posterior	1
M	Soporte medio superior posterior	1
N	Soporte medio inferior posterior	1

Parte	Descripción	Cantidad
O	Soporte frontal	2
P	Panel posterior	2
Q	Panel frontal del cajón	2
R	Panel posterior del cajón	2
S	Panel izquierdo del cajón	2
T	Panel derecho del cajón	2
U	Panel inferior del cajón	2
V	Soporte inferior del cajón	2
W	Refuerzo frontal	2
X	Poste colgante fijo	1
Y	Poste expandible exterior	3
Z	Poste expandible interior	3
A1	Soporte del poste	8

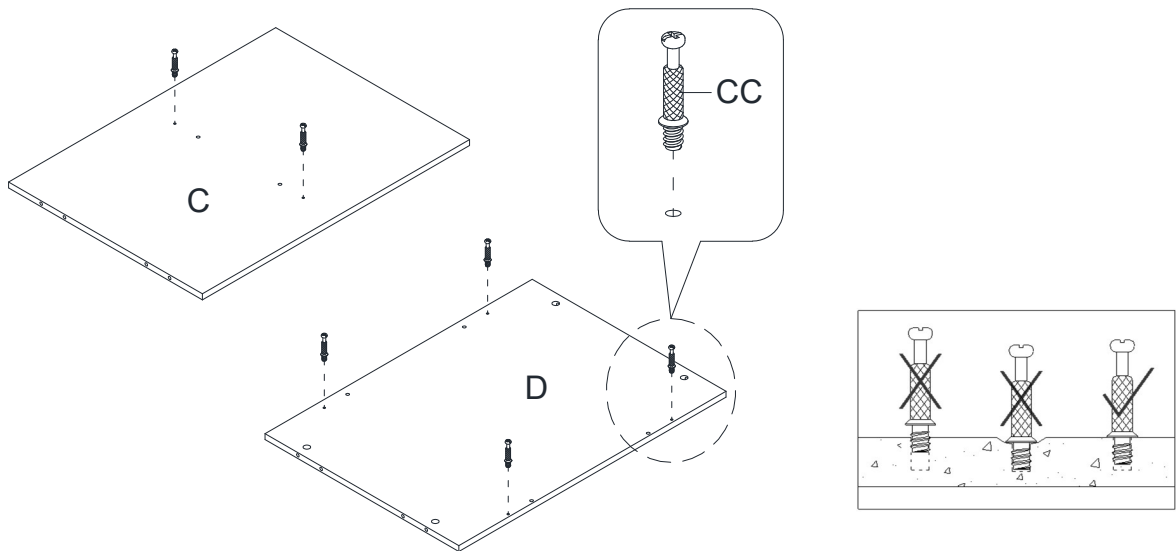
Ensamble

1 Preparando el ensamble del gabinete inferior



NOTA: Por favor no apriete completamente todos los pernos, hasta que termine con el ensamble de las partes. Después asegúrese de apretar todos los pernos. Esto hará el ensamble más fácil.

- Desempacar la unidad y confirmar que se tiene todo el material de ferretería y partes requeridas. Ensamblar la unidad en un piso alfombrado o en el cartón vacío para evitar rasguños.
- Atornillar los pernos de fijación (CC) en los agujeros pequeños designados en la repisa inferior fija (C) y en el panel inferior (D) usando el desarmador estrella.

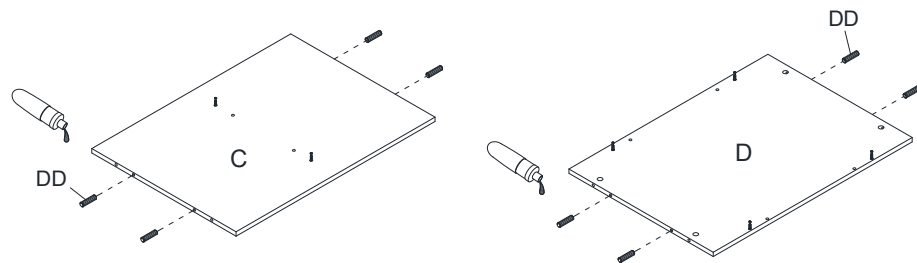


2 Pegando las clavijas

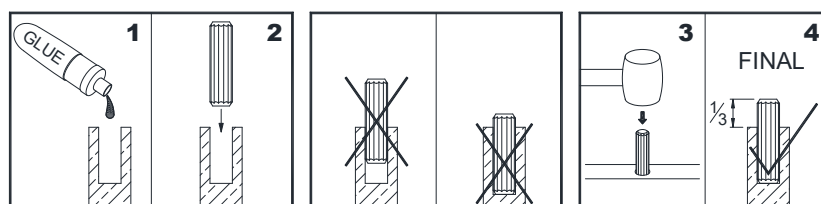


NOTA: Consultar los dibujos guías de las clavijas en este paso para aclarar como pegar apropiadamente las clavijas de madera. Aplique este metodo cuando sea instruido a instalar clavijas de madera.

- Pegar las clavijas de mader (DD) en los agujeros designados en la repisa inferior fija (C) y en el panel inferior (D). Es bien importante usar una cantidad pequeña de pegamento en ambos lados de las clavijas y limpiar el exceso de pegamento inmediatamente.



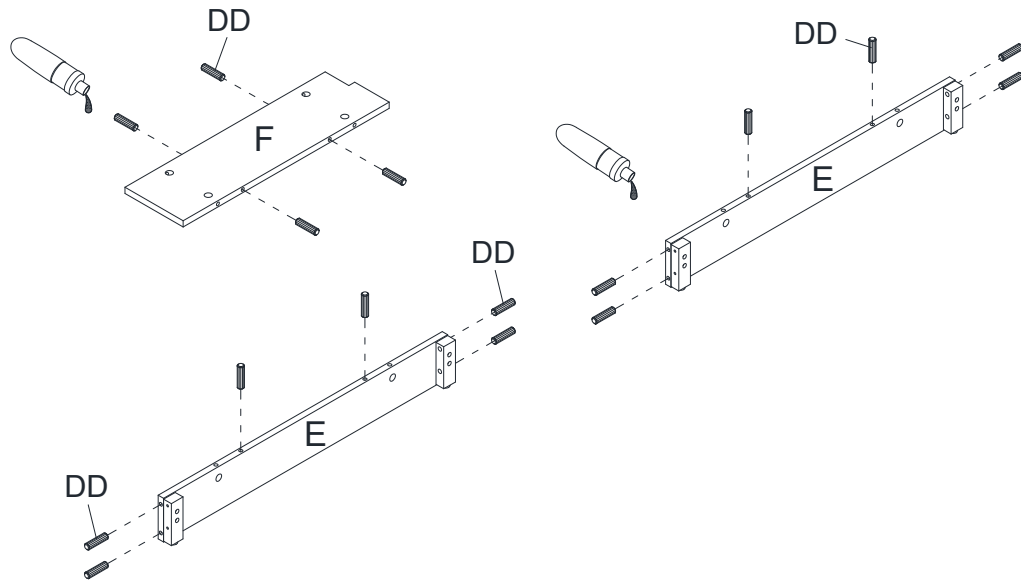
La guía del ensamble de las clavijas



Ensamble (continuación)

3 Pegando las clavijas

- Pegar las clavijas de mader (DD) en los agujeros designados en ambos soportes para base (E) y en el panel divisor (F).

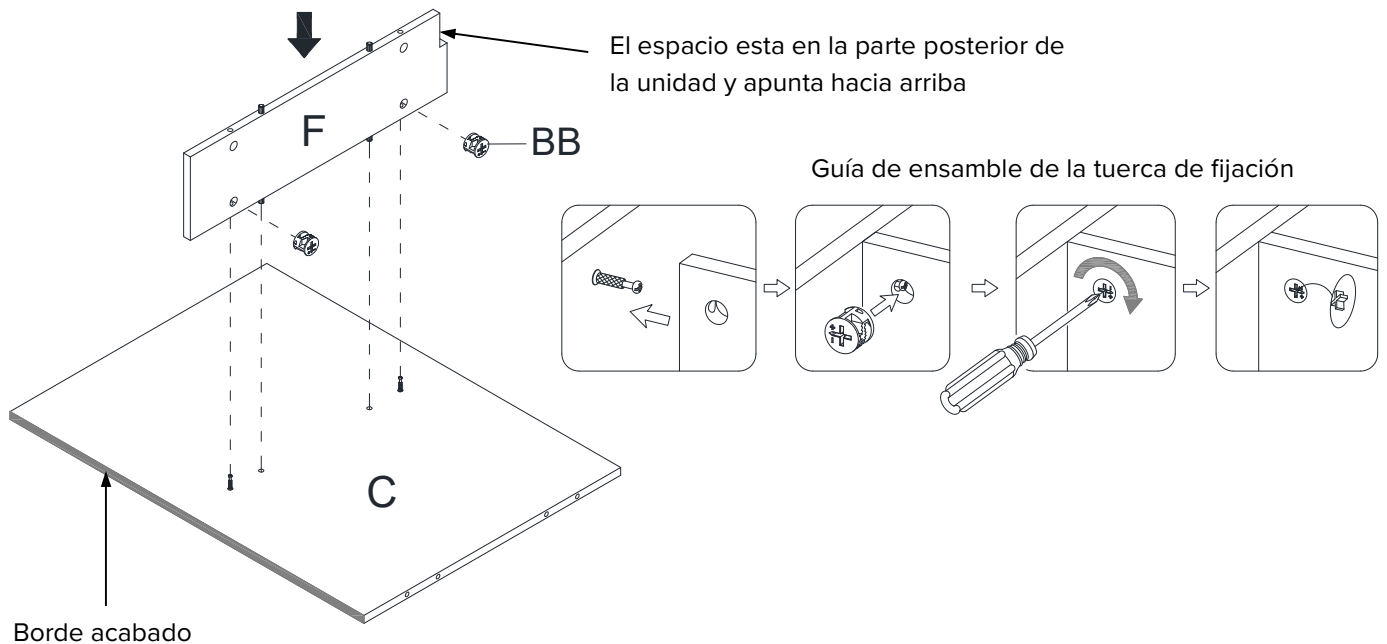


4 Adjuntando el panel divisor



NOTA: Consultar los dibujos guías de las tuercas de fijación en esté paso para aclarar como pegar apropiadamente las turca de fijación. Aplique este método cuando sea instruido a instalar tuercas de fijación.

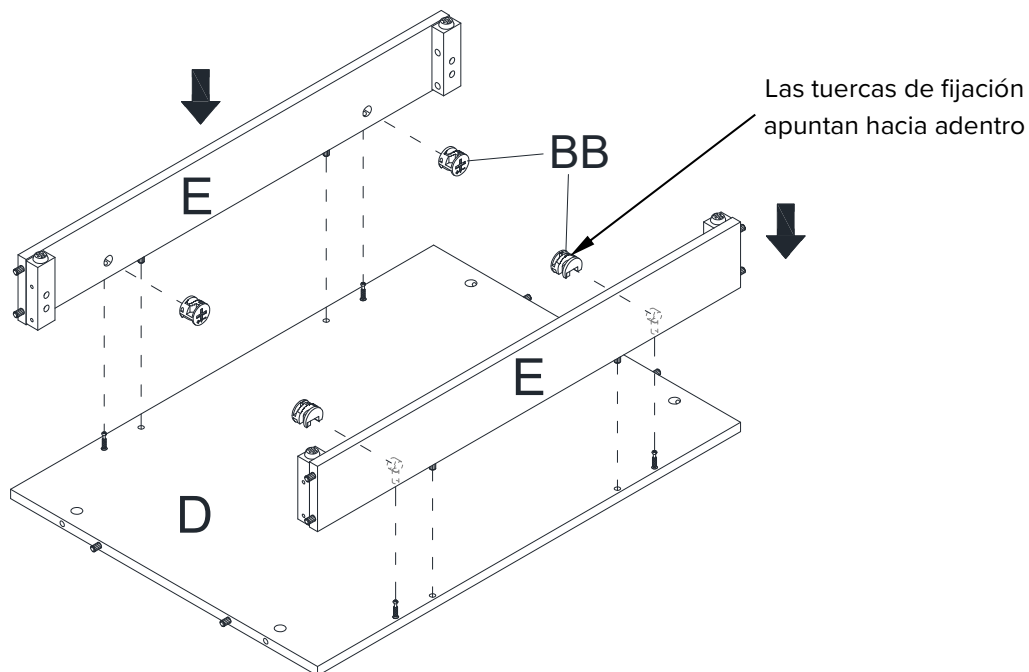
- Orientar y adjuntar el panel divisor (F) a la repisa inferior fija (C) empleando 2 tuercas de fijación grandes (BB).



Ensamble (continuación)

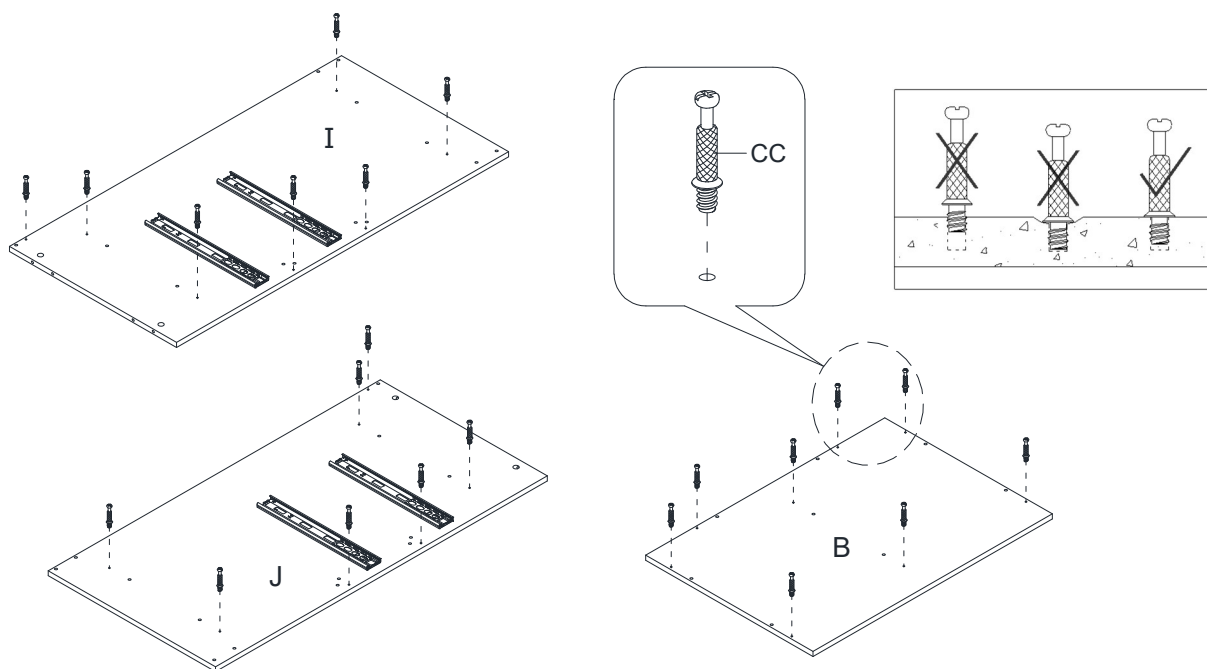
5 Adjuntando los soportes para base

- Alinear y adjuntar los soportes para base (E) al panel inferior (D) usando 4 tuercas de fijación grandes (BB).



6 Preparando el ensamblaje del gabinete inferior

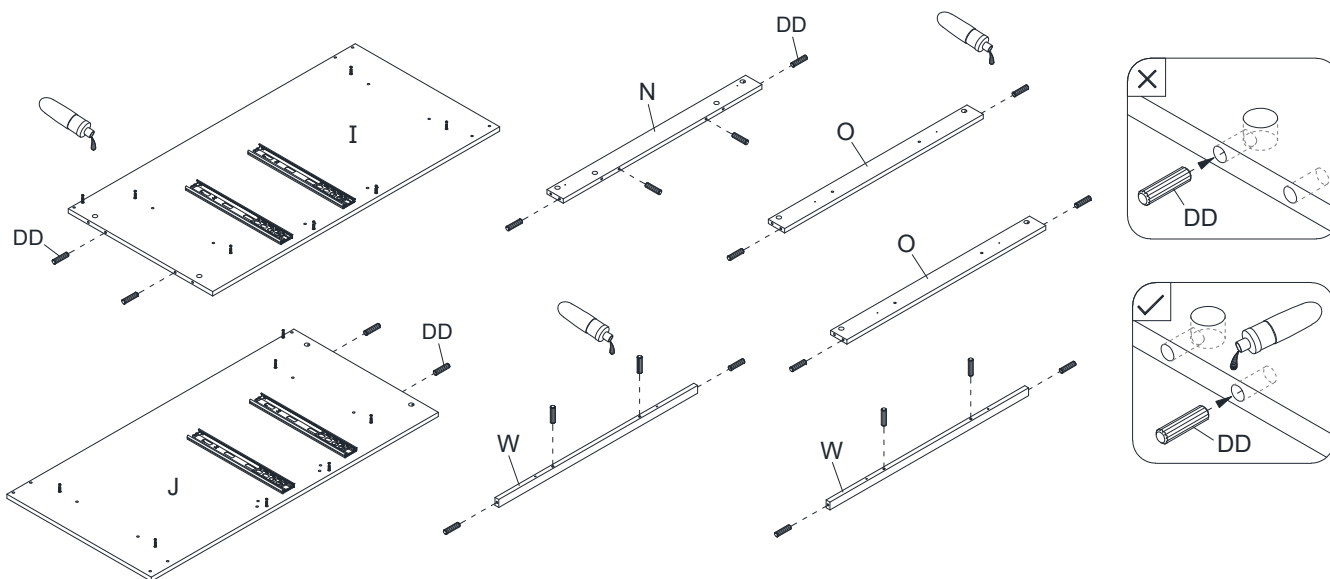
- Atornillar los pernos de fijación (CC) en los agujeros pequeños designados en la repisa superior fija (B) y paneles inferiores laterales (I y J) usando el desarmador estrella.



Ensamble (continuación)

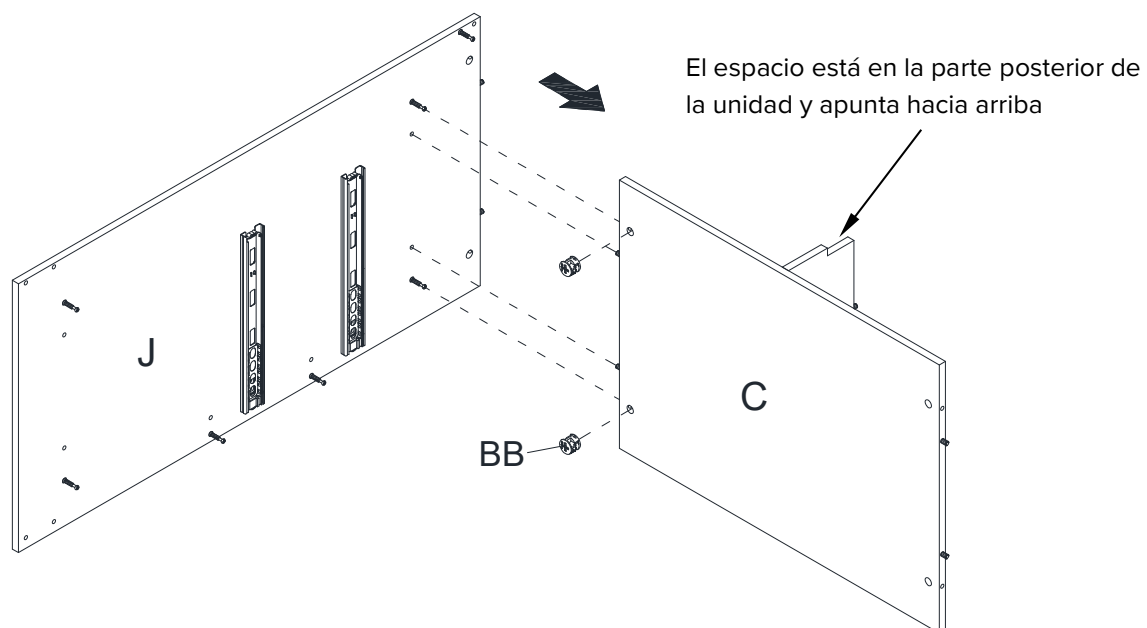
7 Pegando las clavijas de madera

- Pegar las clavijas de madera (DD) en los agujeros designados en los paneles inferiores laterales (I y J), en el soporte medio inferior posterior (N), en los soportes frontales (O) y en los reforzos frontales (W) como se muestra.



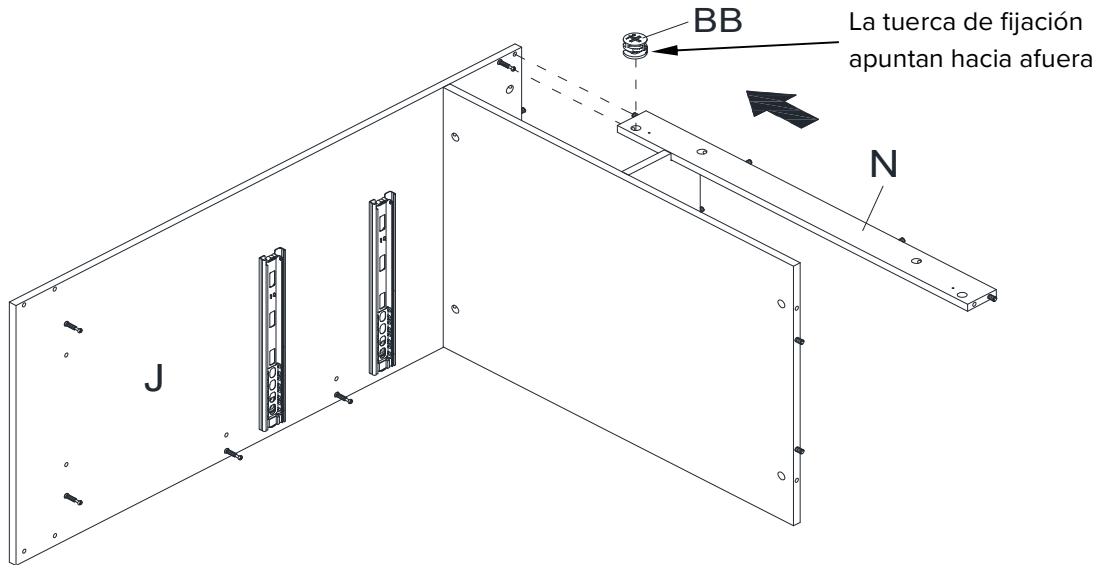
8 Adjuntando la repisa inferior fija

- Adjuntar la repisa inferior fija ensamblada (C) al panel derecho inferior (J) con 2 tuercas de fijación grandes (BB).



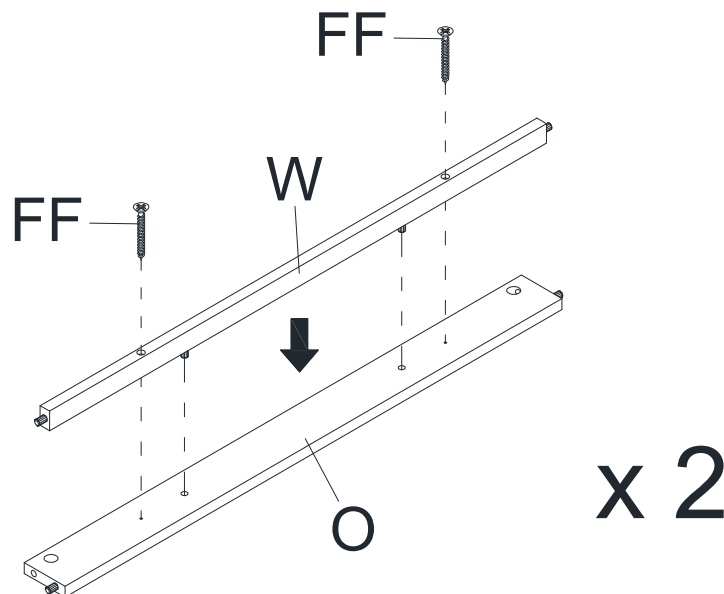
9 Adjuntando el soporte medio inferior posterior

- Descansar el soporte medio inferior posterior (N) sobre el espacio del panel divisor (F) y adjuntar al panel derecho inferior (J) empleando una tuerca de fijación grande (BB).



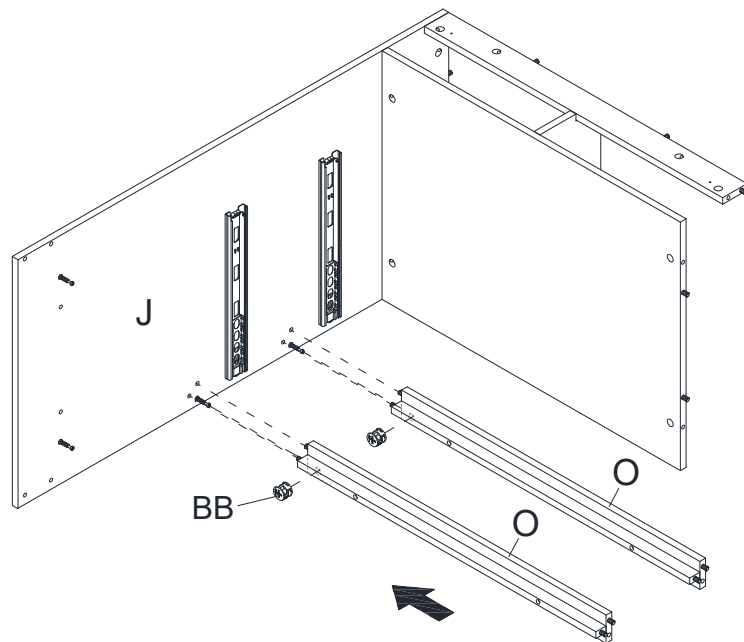
10 Combinando los soportes y los refuerzos frontales

- Usando las clavijas de madera como guía, sujetar un refuerzo frontal (W) a un soporte frontal (O) con 2 pernos de 30mm (FF).
- Completar este paso dos veces para combinar los otros soportes y refuerzos frontales.



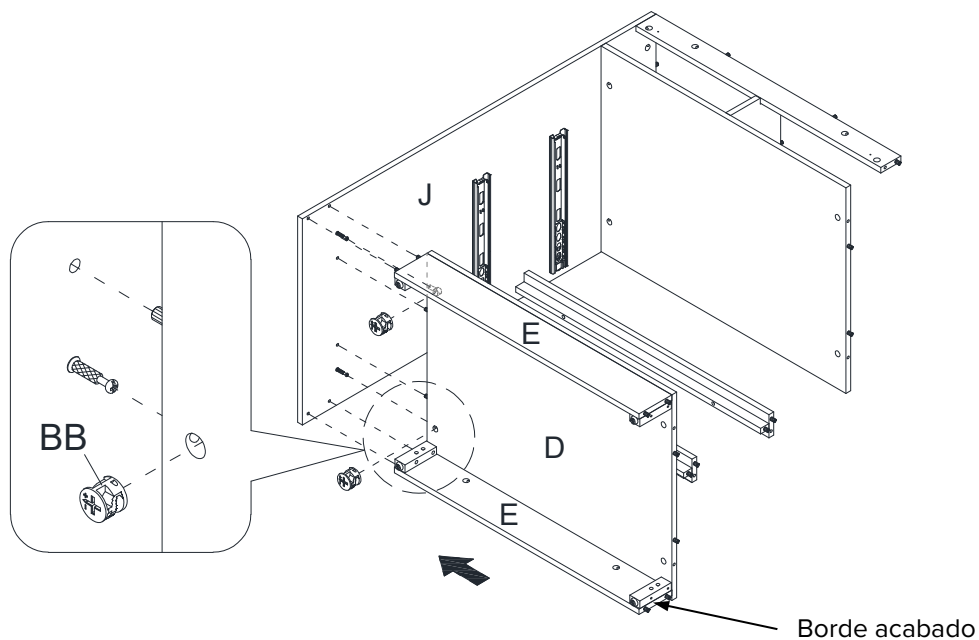
11 Adjuntando los soportes frontales

- Alinear y adjuntar los soportes frontales ensamblados (O) al panel derecho inferior (J) empleando 2 tuercas de fijación grandes (BB).



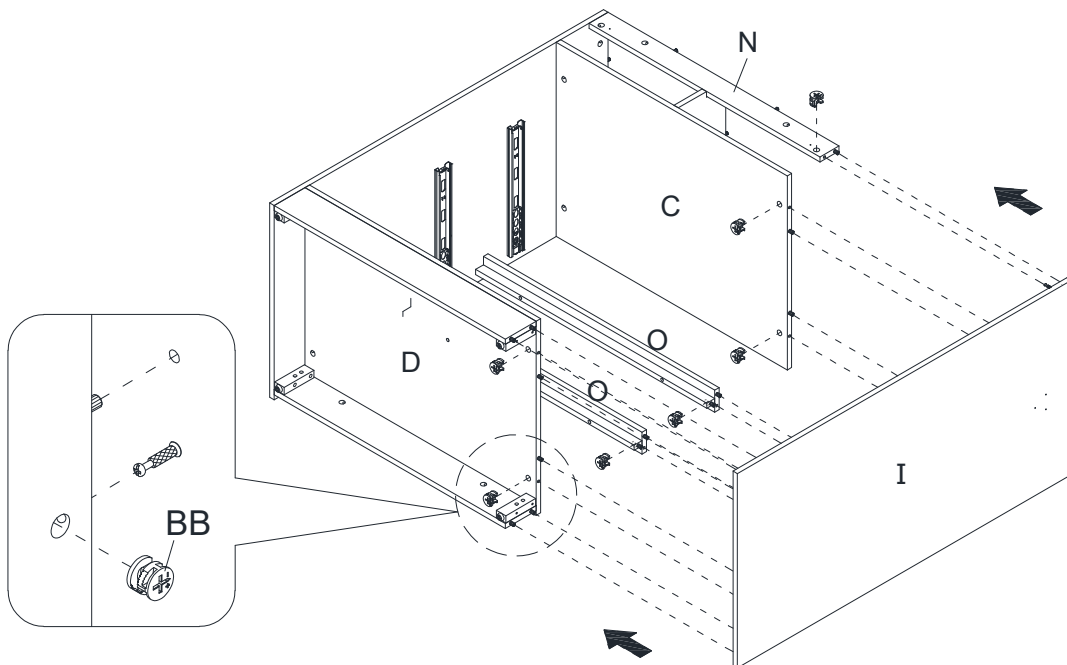
12 Adjuntando el panel inferior

- Orientar y adjuntar el panel inferior ensamblado (D) al panel derecho inferior (J) usando 2 tuercas de fijación grandes (BB).



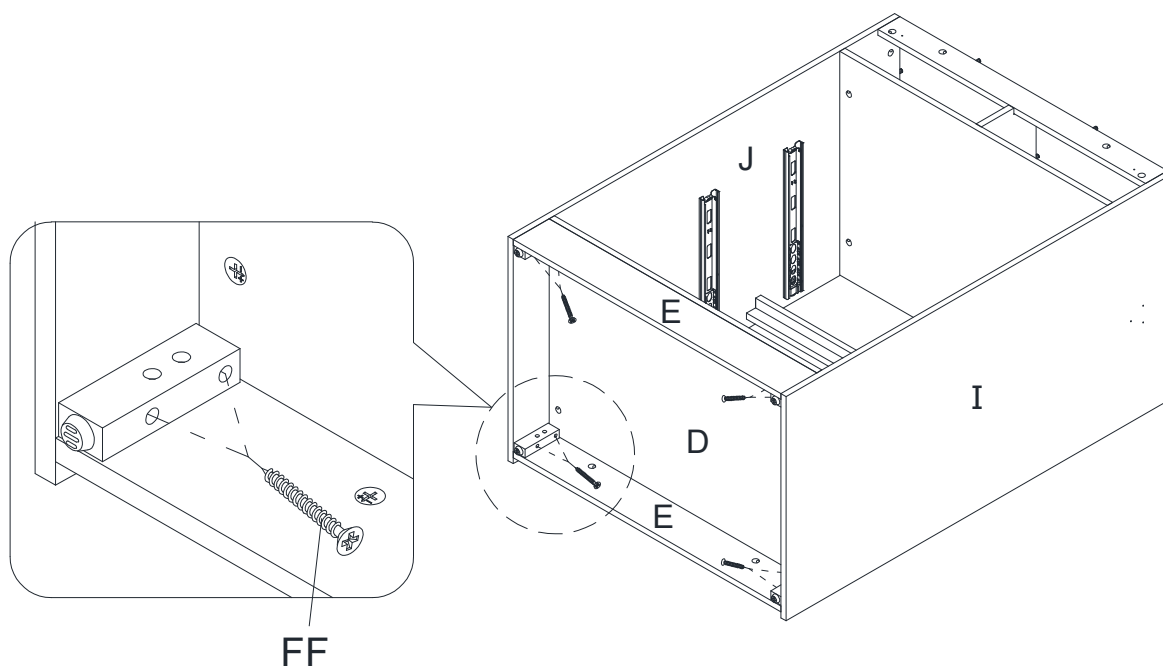
13 Adjuntando el panel izquierdo inferior

- Alinear y adjuntar el panel izquierdo inferior (I) al ensamble previo empleando 7 tuercas de fijación grandes (BB).



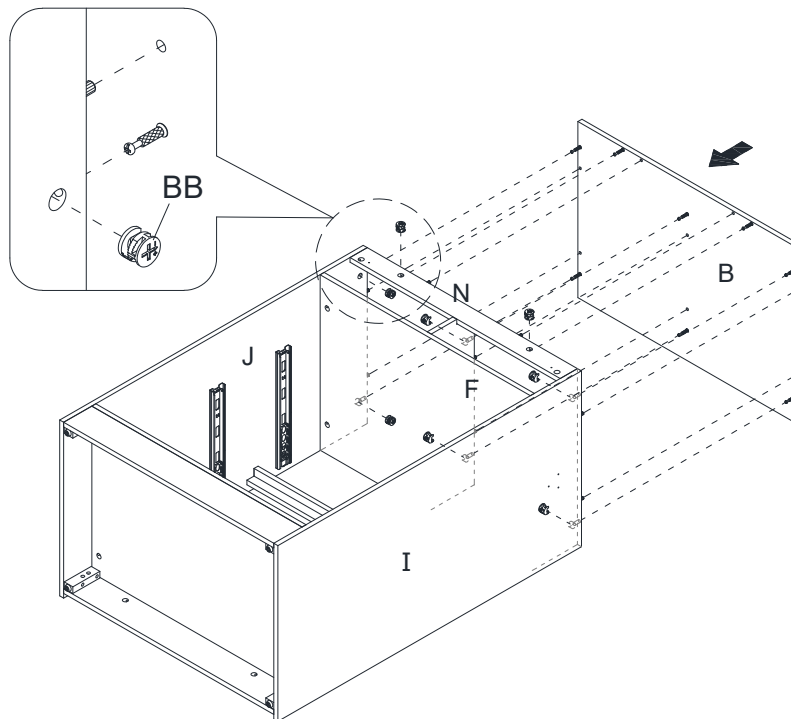
14 Sujetando los soportes para base

- Sujetar los soportes para base (E) a los paneles inferiores laterales (I y J) con 8 pernos de 30mm (FF).



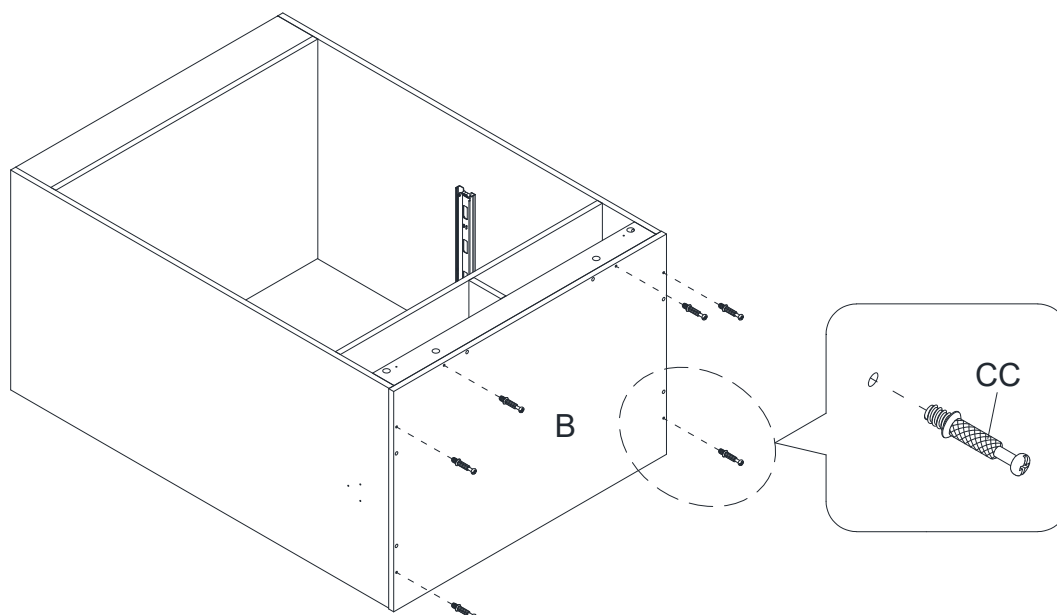
15 Adjuntando la repisa superior fija

- Usando las clavijas de madera como guía, alinear y adjuntar la repisa superior fija (B) al ensamble previo empleando 8 tuercas de fijación grandes (BB).



16 Preparando el ensamble del compartimiento para ropa

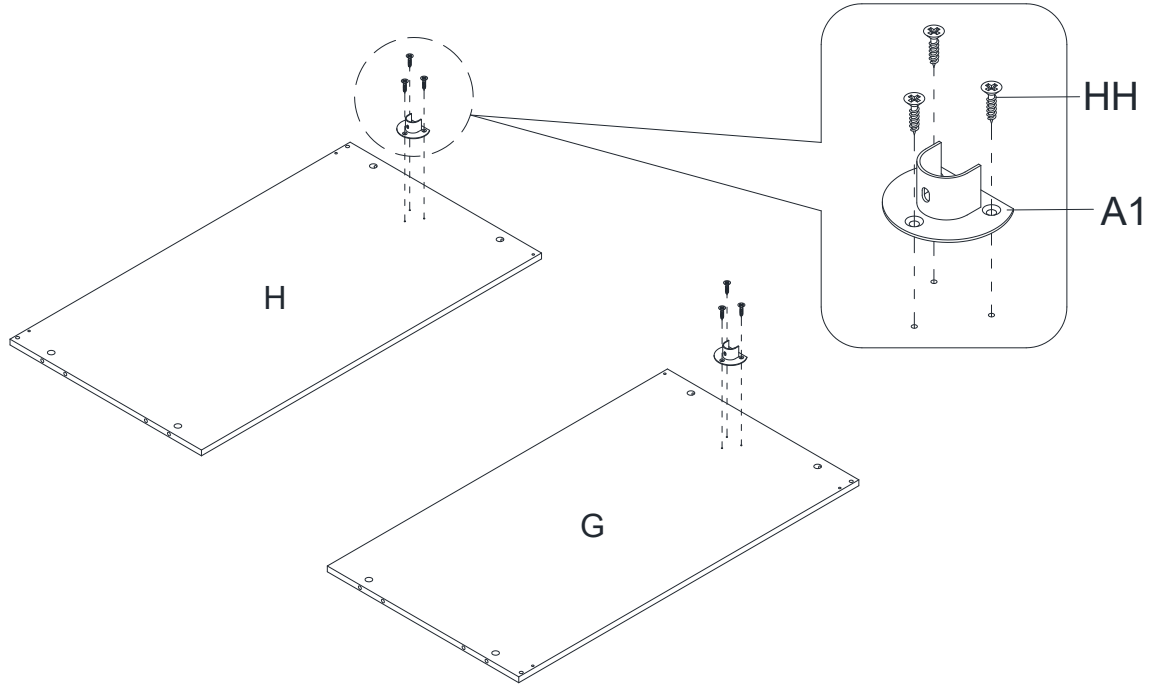
- Atornillar los pernos de fijación (CC) en los agujeros pequeños designados en la repisa superior fija (B) usando el desarmador estrella.



Ensamble (continuación)

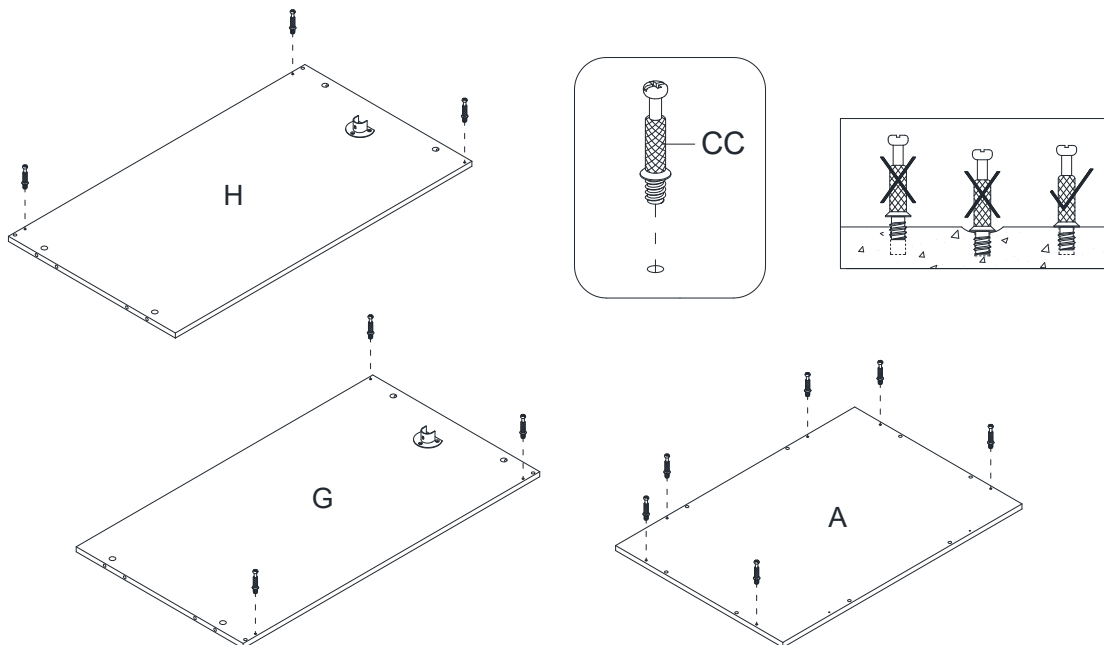
17 Adjuntando los postes colgantes

- Usando los agujeros pilotos como guía, sujetar un soporte para poste (A1) al lado interior de cada panel superior lateral (G y H) con 3 pernos de 14mm (HH).



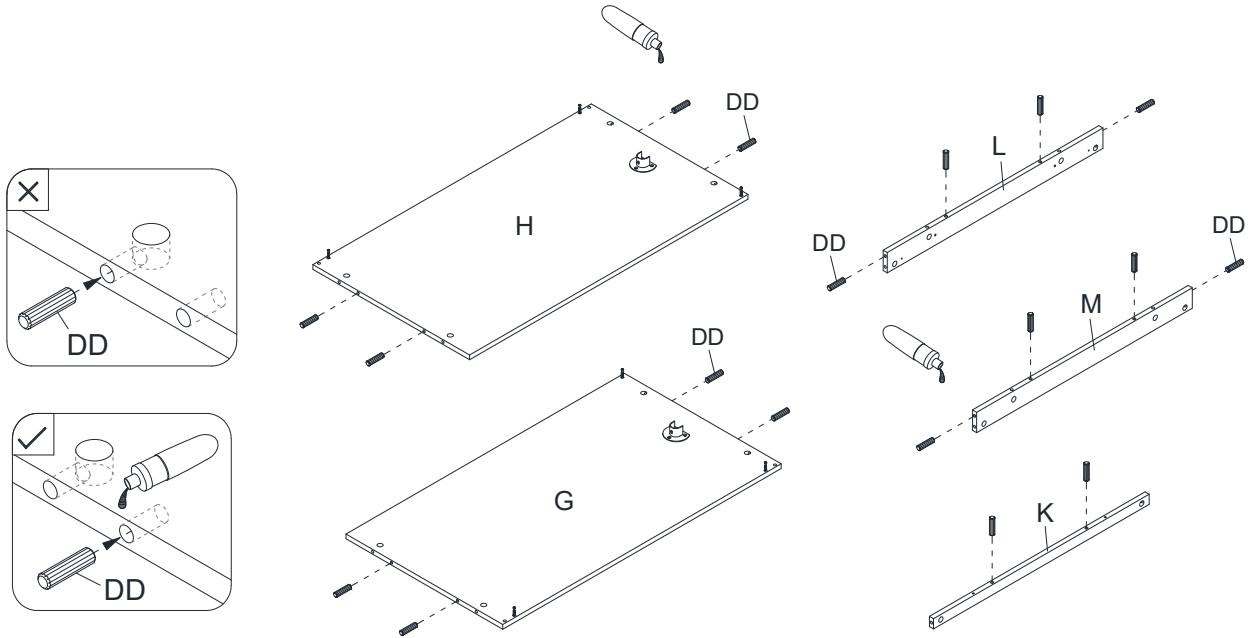
18 Preparando el ensamble del compartimiento para ropa

- Atornillar los pernos de fijación (CC) en los agujeros pequeños designados en el panel superior (A) y en los paneles superiores laterales (G y H) usando el desarmador estrella.



19 Pegando las clavijas

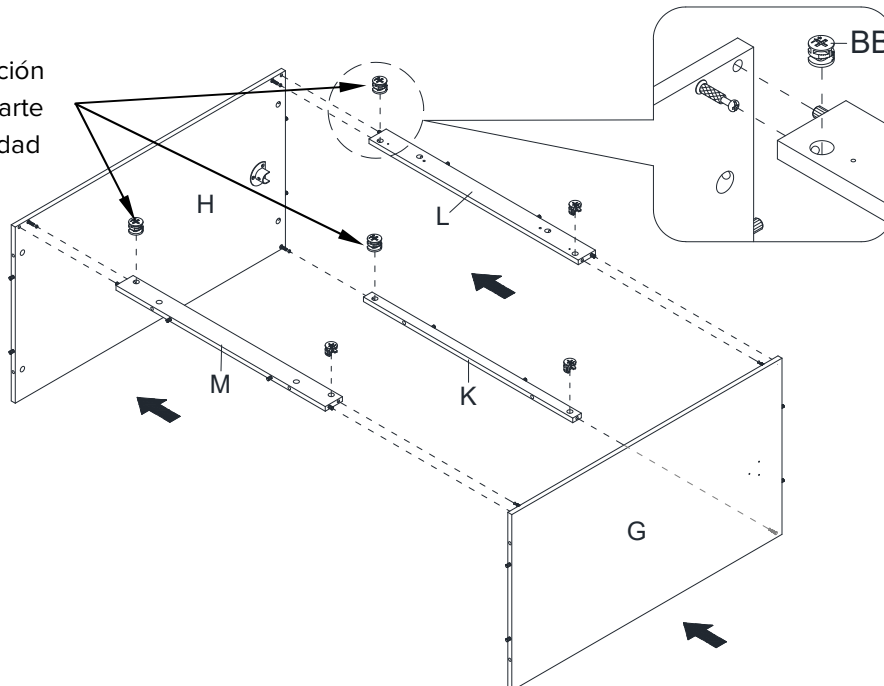
- Pegar las clavijas de madera (DD) en los agujeros designados en ambos paneles superiores laterales (G y H) y en los soportes (K, L y M) como se muestra.



20 Adjuntando el marco del compartimiento para ropa

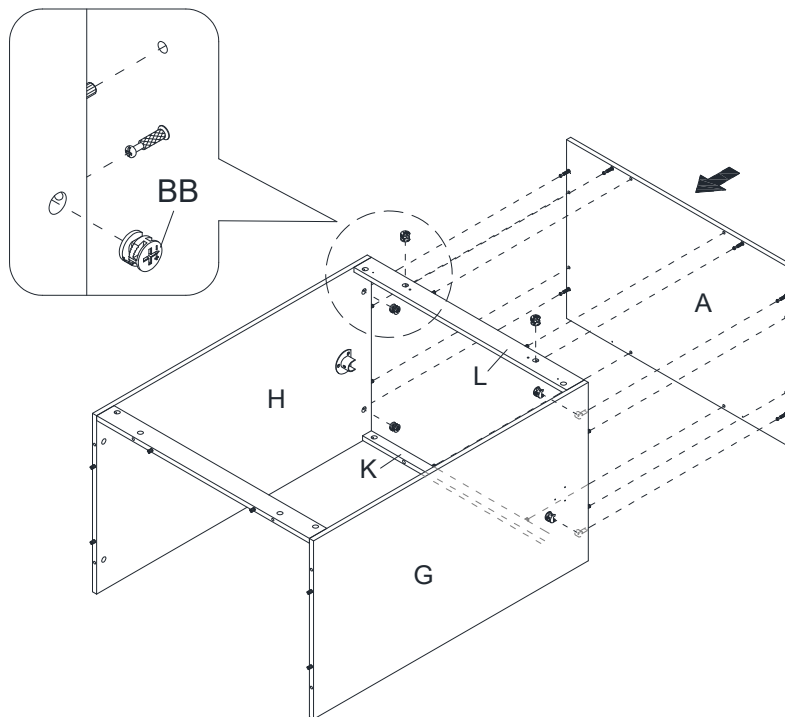
- Alinear y adjuntar ambos soportes superiores (K y L) al soporte medio superior posterior (M) al panel izquierdo superior (G) empleando 3 tuercas de fijación grandes (BB). Asegurar de que las clavijas de madera en el soporte superior frontal (K) apunte hacia la parte superior de la unidad.
- Repetir el mismo procedimiento para adjuntar el panel derecho superior (H) al otro extremo.

Las tuercas de fijación apuntan hacia la parte posterior de la unidad



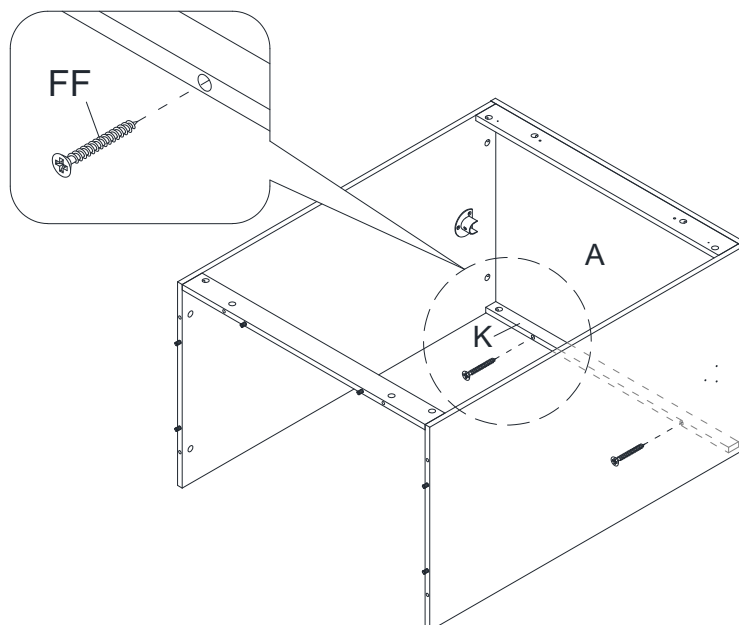
21 Adjuntar el panel superior

- Usando las clavijas de madera como guía, alinear y adjuntar el panel superior (A) al ensamble previo empleando 6 tuercas de fijación grandes (BB).



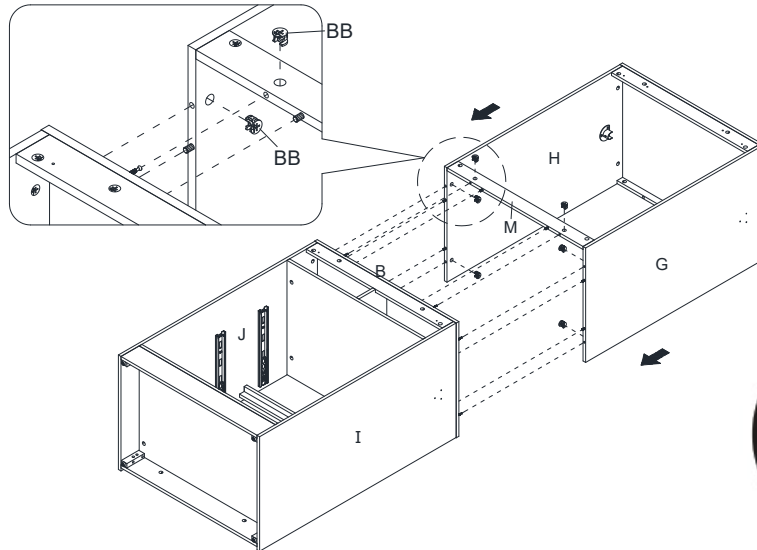
22 Sujutando el soporte superior frontal

- Insertar 2 pernos de 30mm (FF) a través de los agujero pre-perforados en el soporte superior frontal (K) y en el panel superior (A).



23 Combinando el compartimiento para ropa con el gabinete inferior

- Usando las clavijas de madera como guía, poner el compartimiento para ropa ensamblado sobre el gabinete inferior de forma correcta y adjuntar en su lugar con 6 tuercas de fijación grandes (BB).

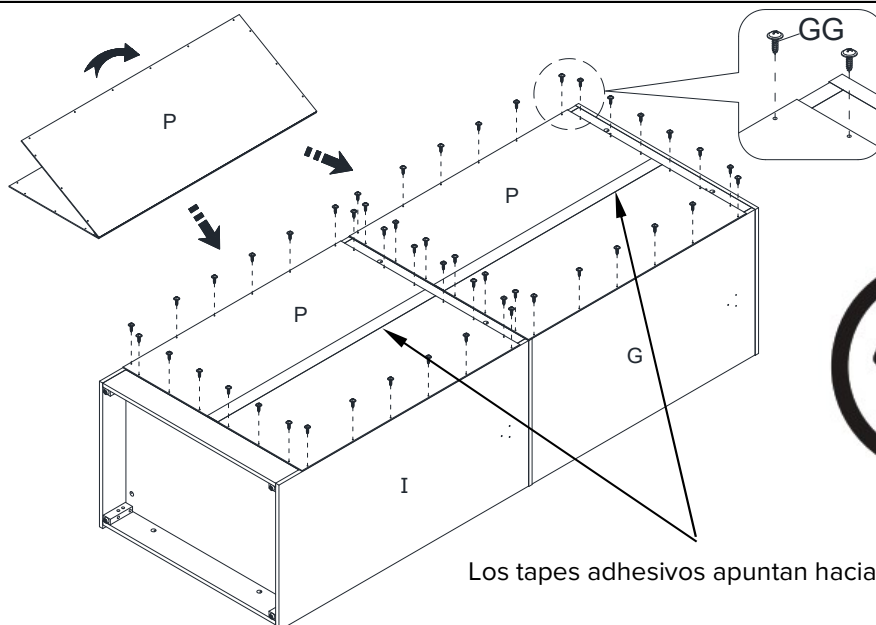


24 Adjuntando los paneles posteriores

- Ahora, volver y atornillar todas las tuercas y pernos de fijación. Asegurar de que las partes estén fijas y de que no haya espacios entre las partes. Esto ayudara a mantener a la unidad cuadrada.
- Desdoblar un panel posterior (P) y alinear con los agujeros pre-perforados contra los bordes superiores con los agujeros pilotos en la parte posterior del soporte superior posterior (L). Sujetar en su lugar usando los pernos de cabeza de arandela (GG).
- Usando los agujeros pilotos en el soporte medio inferior posterior (N) como guía, sujetar el otro panel posterior (P) al gabinete inferior con los pernos de cabeza de arandela provistos (GG).



NOTA: Recomendamos adjuntar el panel posterior con los pernos en las esquinas primero.



Los tapes adhesivos apuntan hacia afuera

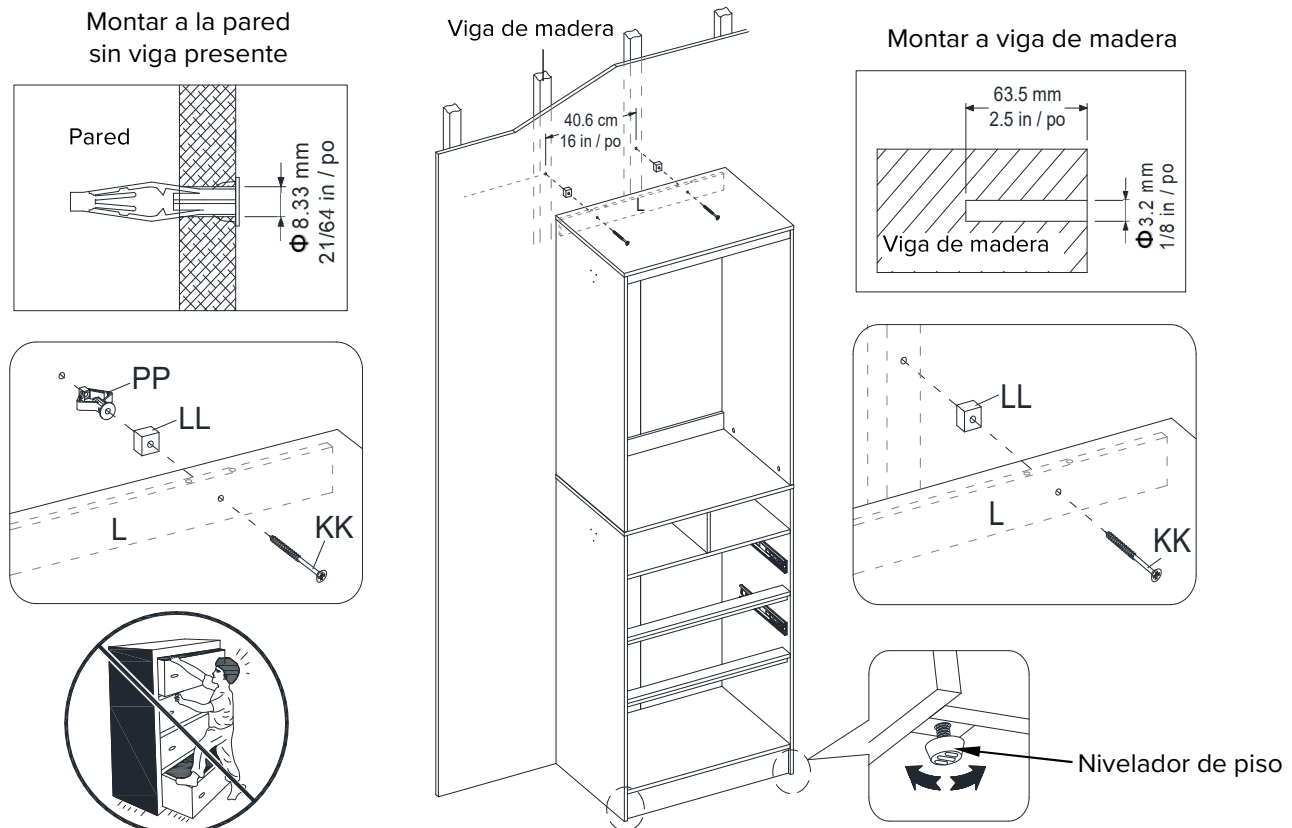
25 Montando el closet a una pared de vigas para evitar caídas

- Considerar la posición apropiada relativa a su cuarto y encontrar el mejor lugar para montar en su closet. Asegurar de dejar el espacio deseado a las otras paredes para ajustar sus postes colgantes expandibles. Por razones de seguridad, el rango máximo de los postes colgantes expandibles no debe exceder 60 pulgadas.
- Con asistencia, poner la unidad ensamblada en posición vertical y en contra de la pared deseada. Si fuera necesario, ajustar los niveladores de piso pre-adjuntados en ambos soportes para base (E) para corregir la inclinación, hasta que la unidad este nivelada. Dibujar una línea nivel en la pared a la altura deseada donde los agujeros del soporte superior posterior (L) se alinearan.
- Retirar el closet y encontrar la viga más cercana con el buscador de vigas y marcar los bordes exteriores y lugares centrales. Marcar dos agujeros de montaje 16 pulgadas aparte en la línea nivelada que dibujo en la pared.



NOTA: Es crítico montar su closet a las vigas en la pared. Proveemos anclas para pared (PP) para asistirlo en adjuntar correctamente a la pared. Usted debe usar anclas para pared si no hay vigas presentes. La falla de hacer así resultara en una instalación débil y puede causar accidentes o daños.

- **Montar a una viga de pared:** Con un taladro (no incluido) en nivel bajo, perforar agujeros de 1/8" (3.2mm) de diámetro al menos 2½ pulgadas (63.5mm) de profundo en los puntos marcados.
- **Montar a una pared sin vigas presentes:** Con un taladro (no incluido) en nivel bajo, perforar agujeros de 21/64" (8.3mm) de diámetro a través del panel de yeso en los dos puntos marcados. Limpiar los agujeros del polvo e insertar un ancla para pared (PP) en cada agujero. Golpear ligeramente las anclas para pared (PP) con un martillo hasta que estén niveladas con la pared.
- Reponer el closet contra la pared deseada. Insertar 2 pernos para madera de 75mm (KK) a través de los agujeros en el soporte superior posterior (L) a través de 2 bloques espaciadores (LL) y atornillar en las anclas para pared insertadas (PP) o en los agujeros perforados en la viga de la pared.

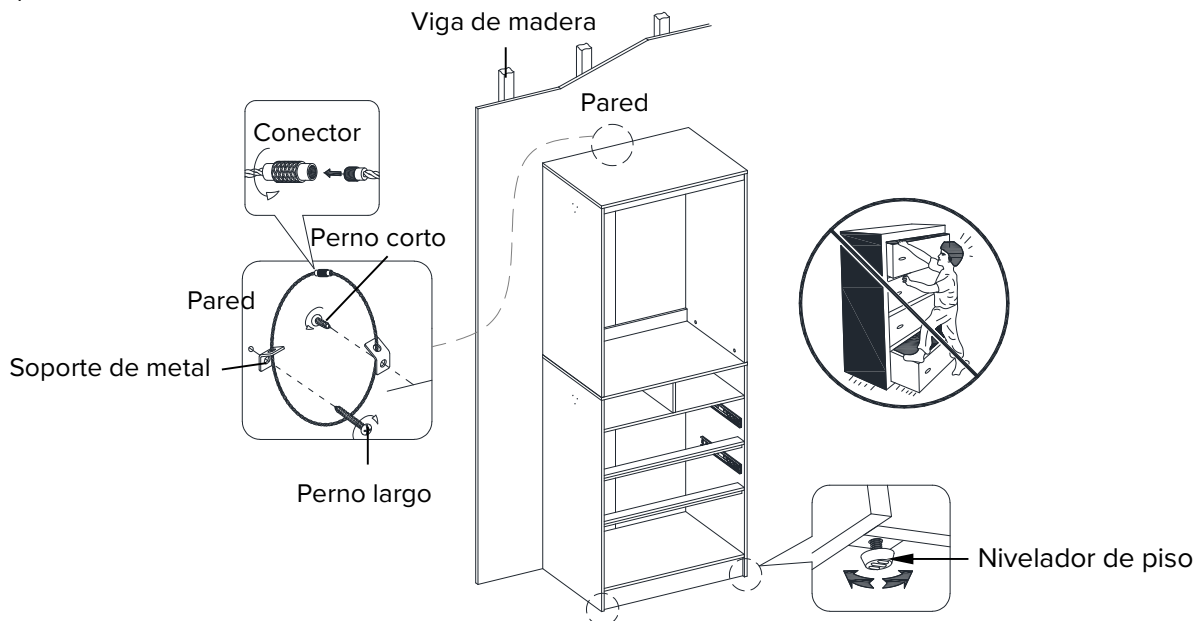


26 Instalando el juego de restricción de movimiento



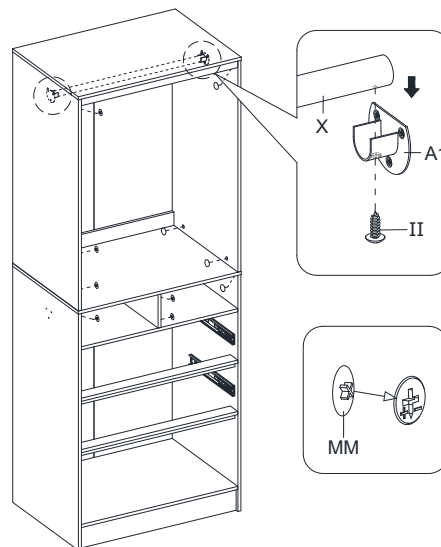
ADVERTENCIA: Niños pequeños pueden resultar lastimados por muebles inclinados. Debe instalar el juego de restricción de movimiento con la unidad en función, para prevenir la inclinación de la unidad, causando cualquier accidente o daño. El tope de movimiento es solo un impedimento, no hay sustituto para la supervisión adulta. El tope de movimiento no es contra terremoto. Si deseara añadir la seguridad extra contra terremotos, deben ser comprados e instalados separadamente.

- Proveemos un juego de restricción de movimiento para extra-seguridad. Seguir las instrucciones impresas en la bolsa de plástico que contiene el juego de restricción de movimiento para adjuntar los topes de movimientos a la unidad y a la pared.



27 Instalando el poste cognate fijo

- Poner el poste colgante fijo (X) sobre los soportes para poste abiertos instalados (A1) y bloquear en su lugar con 2 pernos especiales de 16mm (II).
- Enchufar las tapas de las tuercas de fijación (MM) Sobre las tuercas de fijación visibles para esconder.



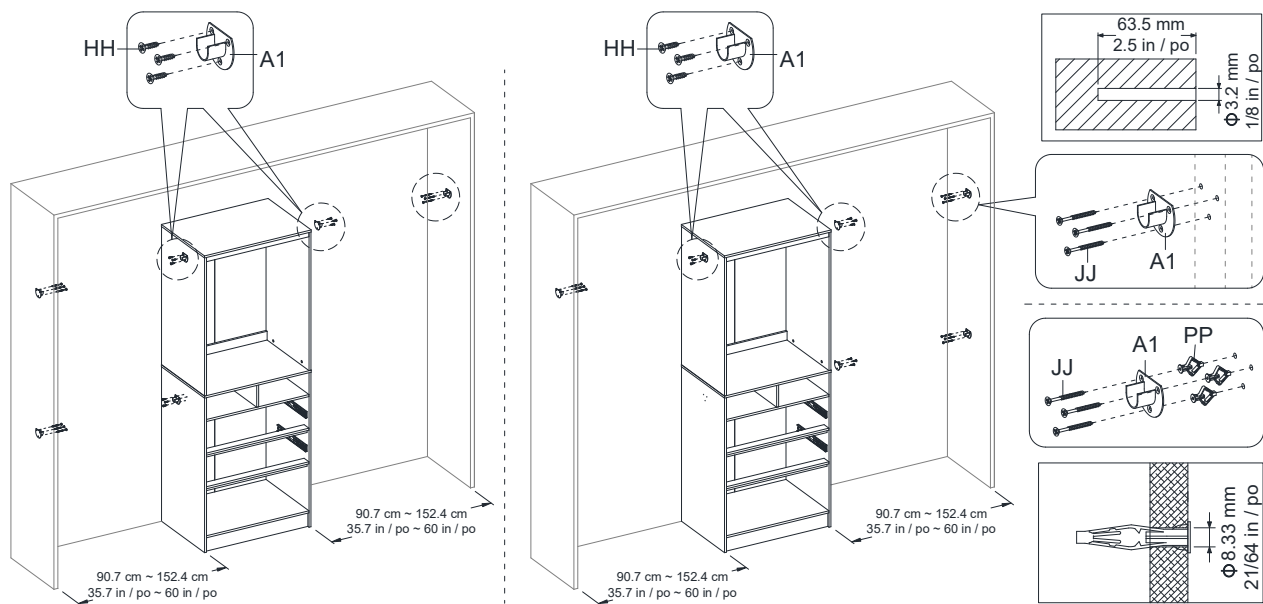
28 Instalando los soportes para poste para postes expandibles

- Usando los agujeros pilotos como guía, adjuntar 3 soportes para poste (A1) a la parte exterior del closet con 9 pernos de 14mm (HH).
- Descansar los postes expandibles sobre los soportes para postes como referencia para montar 3 soportes para poste (A1) al mismo nivel en las paredes laterales. Use un nivelador para asegurar de que estén en el mismo nivel y que la cortadura abierta de cada soporte para poste (A1) apunte hacia arriba.
- Usando el soporte para poste (A1) como templado, marcar los puntos de perforación en las paredes laterales con un lápiz.
- **Montar a una viga de pared:** Con un taladro (no incluido) en nivel bajo, perforar agujeros de 1/8" (3.2mm) de diámetro al menos 2½ pulgadas (63.5mm) de profundo en los puntos marcados.
- **Montar a una pared sin vigas presentes:** Con un taladro (no incluido) en nivel bajo, perforar agujeros de 21/64" (8.3mm) de diámetro a través del panel de yeso en los dos puntos marcados. Limpiar los agujeros del polvo e insertar un ancla para pared (PP) en cada agujero. Golpear ligeramente las anclas para pared (PP) con un martillo hasta que estén niveladas con la pared.



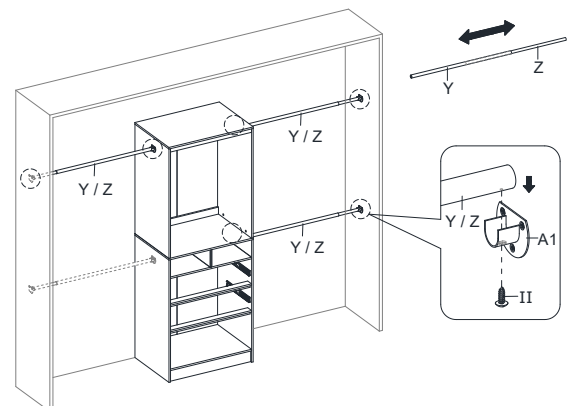
NOTA: Es crítico montar su soportes para poste a las vigas en la pared. Proveemos anclas para pared (PP) para asistirlo en adjuntar correctamente a la pared. Usted debe usar anclas para pared si no hay vigas presentes. La falla de hacer así resultara en una instalación débil y puede causar accidentes o daños.

- Asegurar los soportes para poste (A1) a las paredes laterales con los pernos de 65mm (JJ) provistos.



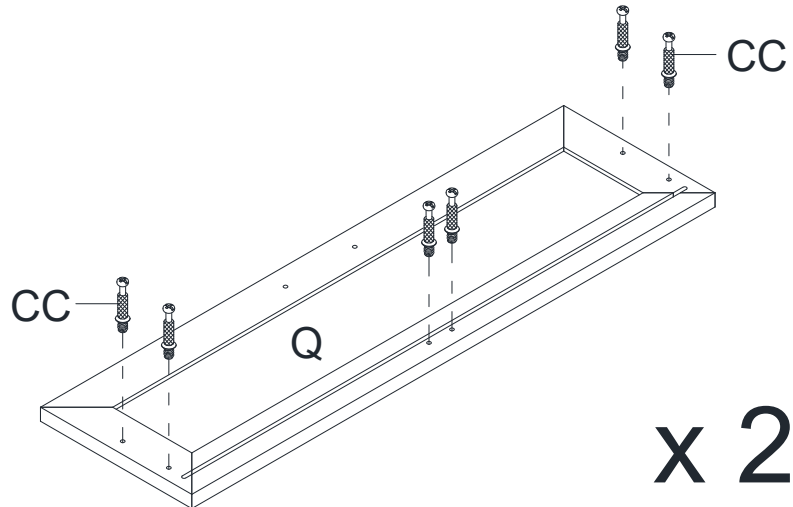
29 Instalando los postes colgantes expandibles

- Insertar los postes expandibles internos (Z) en cada poste expandible externo (Y).
- Posicionar los postes combinados sobre cada soporte para poste (A1) instalado y trabar en su lugar con 6 pernos especiales de 16mm (II).



30 Preparando el ensamble del cajón

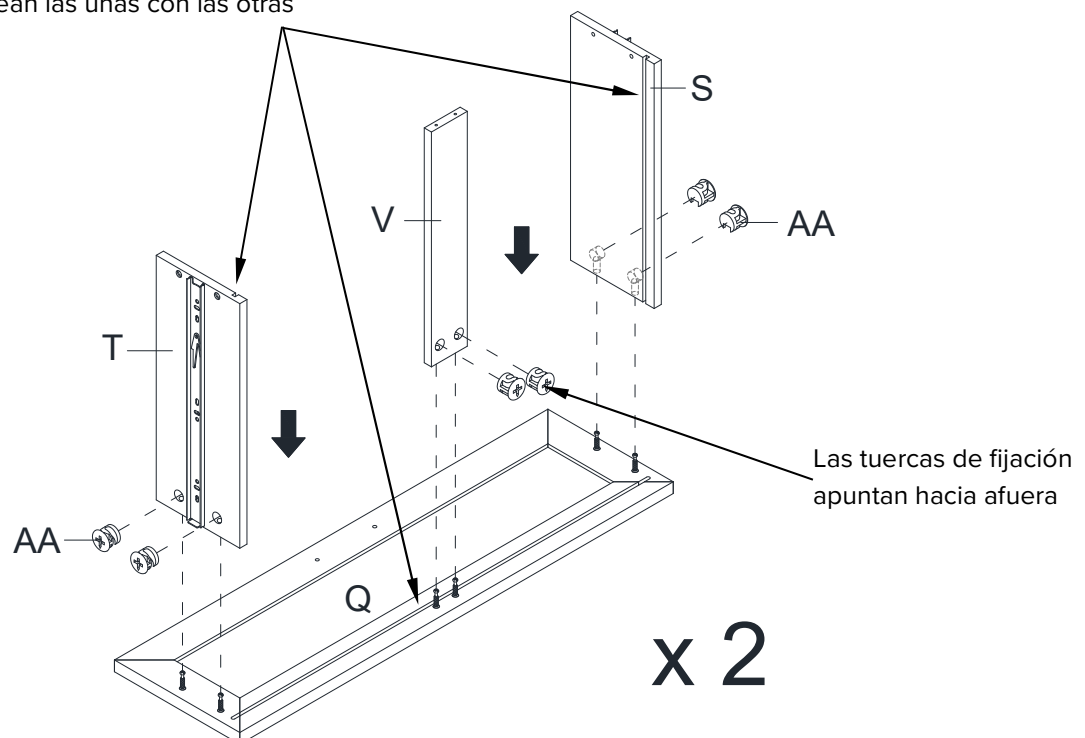
- Atornillar 6 pernos de fijación (CC) en los agujeros pequeños designados en un panel frontal del cajón (Q) usando el desarmador estrella.



31 Adjuntando los paneles laterales y el soporte inferior del cajón

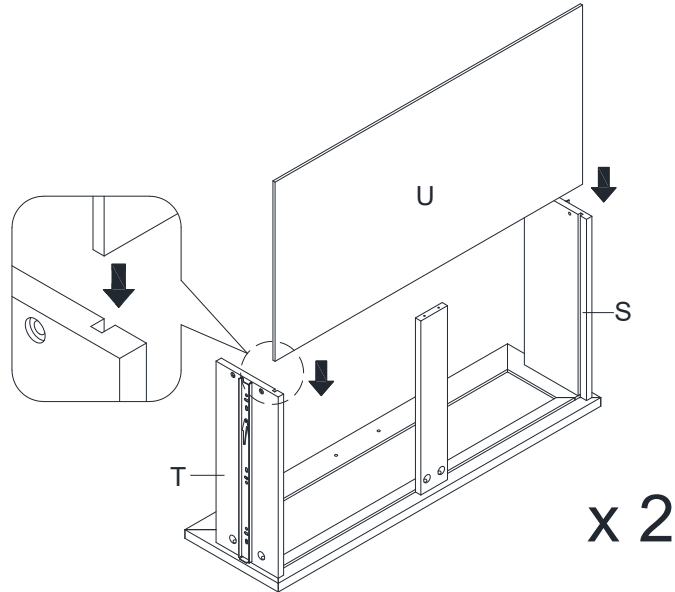
- Adjuntar los paneles laterales del cajón (S y T) a un panel frontal del cajón (Q) empelando 4 tuercas de fijación pequeñas (AA).
- Orientar y adjuntar el soporte inferior del cajón (V) al panel frontal del cajón (Q) con 2 tuercas de fijación pequeñas (AA).

Las ranuras apuntan hacia adentro y se alinean las unas con las otras



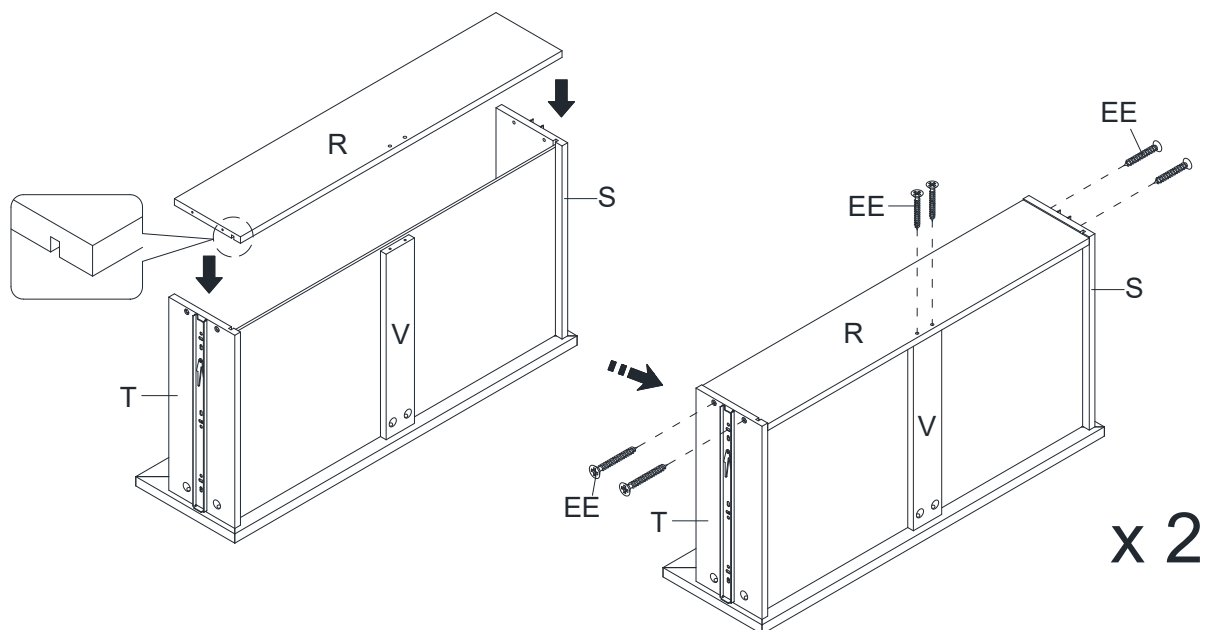
32 Adjuntar el panel inferior del cajón

- Deslizar el panel inferior del cajón (U) en las ranuras en los paneles laterales del cajón (S y T) hasta que esté completamente insertada en el panel frontal del cajón (Q).



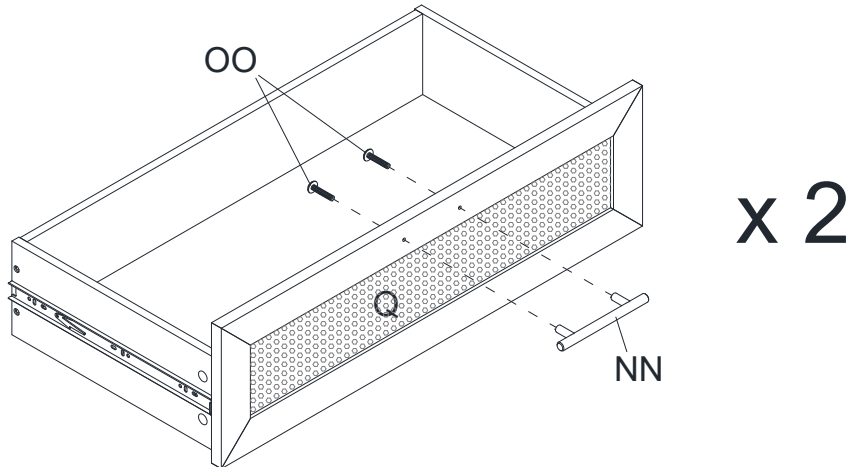
33 Adjuntando el panel posterior del cajón

- Sujetar un panel posterior del cajón (R) entre los paneles laterales del cajón (S y T) con 4 pernos de 38 mm (EE). Asegurar de que el panel inferior (U) encaje en la ranura en el panel posterior del cajón (R). Apretar los pernos con el desarmador estrella.
- Insertar 2 pernos de 38mm (EE) a través del panel posterior del cajón (R) y atornillar en el soporte inferior del cajón (V).



34 Instalando la manija del cajón

- Poner el cajón ensamblado en posición vertical y adjuntar una manija (NN) al lado frontal del panel frontal del cajón (Q) con 2 pernos de 25 mm (OO).
- Repetir los pasos previos para ensamblar un cajón adicional.



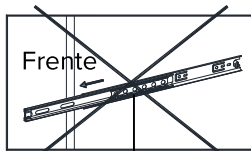
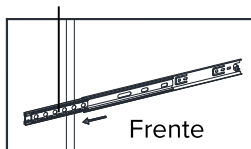
35 Instalando los cajones

- Extender los carriles de la corredera de baleros en la unidad todo el camino hacia enfrente (incluyendo el carrito de baleros). Luego alinear los complementos de corredera en el cajón ensamblado con los carriles de corredera y empujar el cajón hacia adentro hasta que tope.

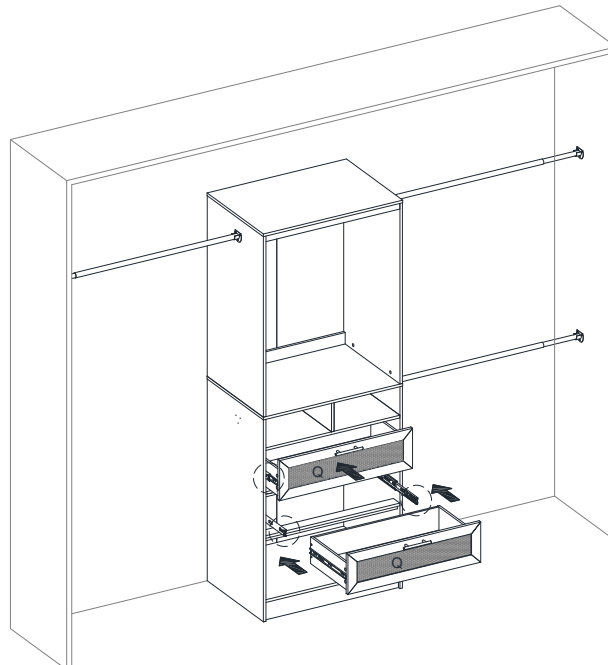
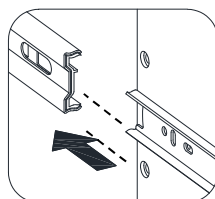


NOTA: Si el cajón no se mueve suavemente, por favor saque y repita el paso. Si necesita sacar el cajón, por favor jale el cajón todo el camino, y empuje simultáneamente las palancas de liberación de plástico de las correderas de baleros hacia arriba en una y hacia abajo en la otra, después jalé el cajón completamente afuera.

Carrito de baleros



Carrito de baleros



Cuidado y mantenimiento

Para limpiar y cuidar su mueble:

- Use una toalla suave y limpia que no rayara la superficie al limpiar.
- Uso de cera para pulir muebles no es necesario. Si desea usar cera, pruébela en un área que no sea visible.
- Usar solventes de cualquier tipo puede dañar el acabado del mueble.
- Nunca use agua para limpiar la unidad, ya que le puede dañar el acabado.
- Siempre utilice protección para vasos y floreros cuando los ponga sobre la unidad.
- Líquidos derramados deben limpiarse inmediatamente, con una toalla suave evitando tallar.
- Siempre utilizar protectores en caso de poner cosas calientes. El calor puede provocar una reacción química en el acabado y dañarlo.
- En caso que su unidad sea manchada o dañada de otra forma durante el uso, le recomendamos hablar a un profesional para que le ayude.
- Revisar los pernos periódicamente y apretar en caso necesario.
- Revisar periódicamente para asegurar de que los componentes estén correctamente posicionados, libres de daño y conectados firmemente.
- Un bolígrafo de retoque está incluido para minimizar golpes o rayaduras pequeñas que puedan ocurrir durante el ensamble o envío.

CUIDANDO SU MUEBLE DE MADERA

Es mejor mantener la unidad en un área de clima controlado. Temperatura extrema y cambios de humedad pueden causar cambios como partes pandas, molduras que se contraigan o que la madera se raje. Es recomendable mantener la unidad lejos del sol directo ya que puede dañar el acabado.

Cuidados adecuados y limpieza pueden extender la vida útil de su unidad. Siga estas recomendaciones y mantendrá su mueble en buenas condiciones de uso por muchos años.



ADVERTENCIA

- La unidad debe ser puesta en una superficie nivelada o nivelada con la ferretería incluida (cuando aplique).
- No sentarse o pararse o permita que niño se suban, sienten o paren en el producto ensamblado.
- Por razones de seguridad, es esencial que la unidad este montada a la pared o piso.
- La unidad se puede caer causando lesiones graves o la muerte.
- Nunca abrir más de un cajón a la vez.
- No exceder los límites de peso recomendados.
- Antes de cortar, perforar o martillar a cualquier superficie de la pared o del piso, verificar la posición de líneas eléctricas, tuberías, o líneas de gas. El cortar puede causar lesiones graves.

SCOTT  LIVING™

BY DREW & JONATHAN



No estamos contentos a menos que usted esté contento, por lo que ofrecemos una garantía de 30 días "love-it". Si por alguna razón no le gusta su producto Scott Living, puede devolverlo a su lugar de compra dentro de los 30 días siguientes a la fecha de su recibo para un reembolso completo - sin preguntas.

LA POLÍTICA DE DEVOLUCIONES DE LOS ARTÍCULOS PERSONALIZADOS VARÍA.
POR FAVOR, CONSULTE CON SU DISTRIBUIDOR PARA MÁS DETALLES.

¿Preguntas, problemas, partes que falten? Antes de regresar a la tienda,
llame al servicio al cliente

1-866-942-5362

Hora estándar del Pacífico: 8:30 a.m. - 4:30 p.m., de Lunes a Viernes

O visite nuestra página de Internet 24 horas al día, 7 días a la semana para asistencia

www.whalenfurniture.com

O mande un correo electrónico a **parts@whalenfurniture.com**

Guarde este manual para uso futuro.