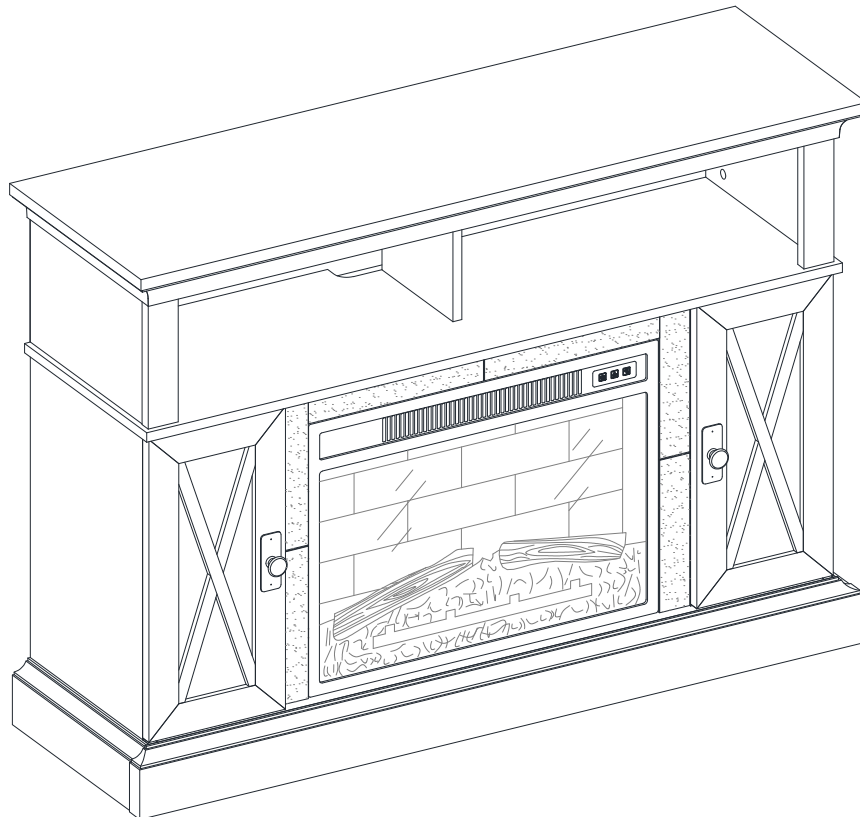




LOT NUMBER: _____
DATE PURCHASED: __/__/__

Kellum Media Fireplace Console

Stock # WMFP48EC-26GR
WMFP48EC-26BR



ADULT ASSEMBLY REQUIRED

If you have any questions regarding assembly or if parts are missing, DO NOT return this item to the store where it was purchased. Please call our customer service number and have your instructions and parts list ready to provide the model name, part name or factory number:

866-942-5362

Pacific Standard Time: 8:30 a.m. - 4:30 p.m., Monday - Friday
Or visit our web site 24 hours a day, 7 days a week for product assistance at

www.whalenstyle.com

Or e-mail your request to **parts@whalenfurniture.com**

**THIS INSTRUCTION BOOKLET CONTAINS IMPORTANT SAFETY INFORMATION.
PLEASE READ AND KEEP FOR FUTURE REFERENCE.**

Date 2022-04-24 Rev. 0001-A

GENERAL INFORMATION, TIPS AND TRICKS

1. Please read the Assembly Instructions prior to assembling this product.
2. Remove all hardware from the box and sort by size.
3. Check to see that all hardware and parts are present BEFORE assembling.
4. Ask a friend to assist you with the assembly of this furniture.
5. To avoid damage, assemble the product on a sturdy, level and protective surface.
6. Please wait until all steps are completed before fully tightening bolts.
7. Make sure all bolts and screws are tightly fastened before the unit is used.

This product is sold with two sets of Tipping Restraint Hardware Kit. You must install the Tipping Restraint Hardware between the wall and the console to prevent any accidents or damages. When properly installed, this restraint can provide protection against the unexpected tipping of the unit due to small tremors, bumps or climbing. The restraint is only a deterrent and is not a substitute for proper adult supervision. Use of tip-over restraints may only reduce, but not eliminate, the risk of tip-over.

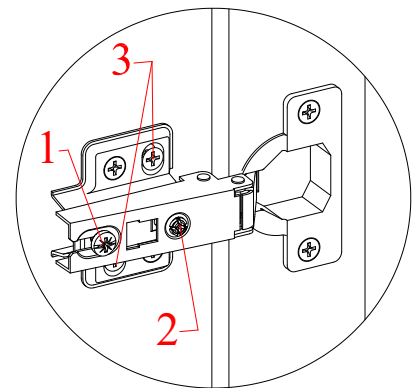
SPECIAL NOTE

Please read the instruction sheets completely before assembly. Examine all packaging material before discarding carton. Remove any remaining staples from the carton before discarding. Remove all parts from carton and separate into groups as indicated on part list. Please ensure all parts are included prior to assembly. Use of power tools to complete assembly is not recommended.

How to adjust the European adjustable hinges on doors

Shipping may cause doors to go out of alignment. If you find that the doors need to be adjusted slightly, turn the appropriate screw, as illustrated.

1. TO ADJUST DOOR FORWARD OR BACKWARD.
2. TO ADJUST DOOR TO RIGHT OR TO LEFT.
3. TO ADJUST DOOR UP OR DOWN.

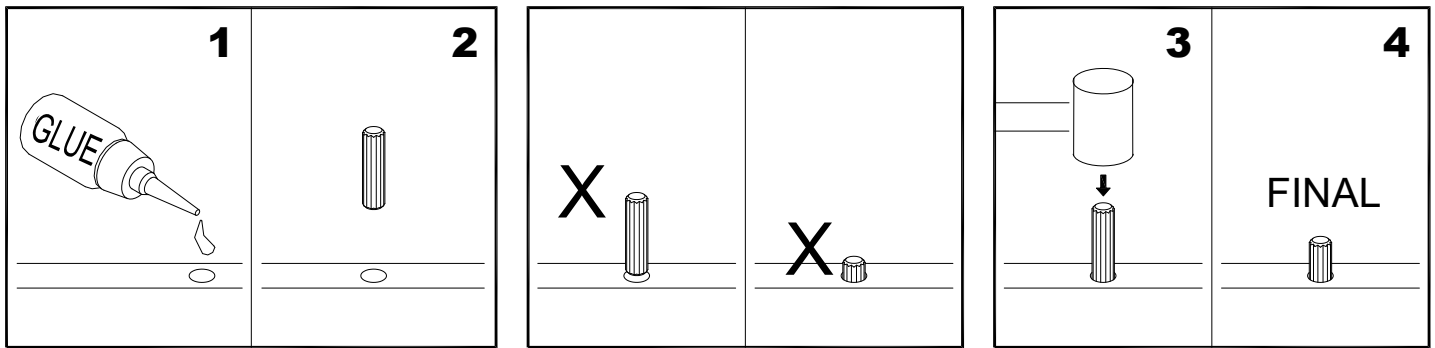


IMPORTANT

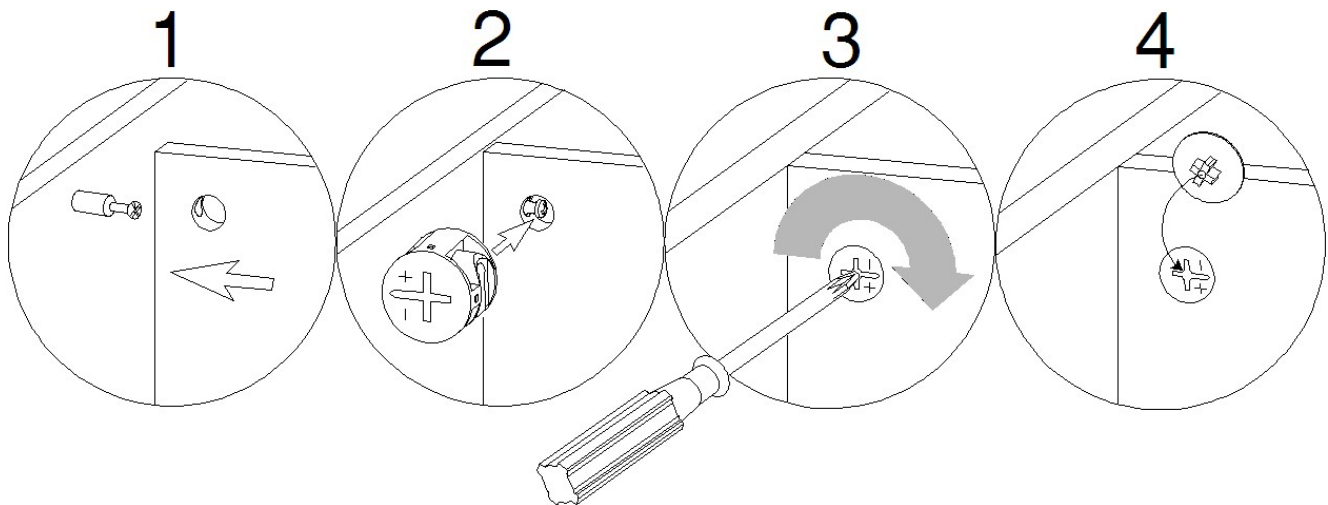
Before you begin: Open, identify and count all parts prior to assembly. Lay out parts on a flat and non-abrasive surface. You will need the parts identified on page 4 and 5 of this instruction manual.

NOTE: IT IS VERY IMPORTANT TO USE GLUE WITH DOWELS. EXCESS GLUE CAN BE WIPED OFF WITH DAMP CLOTH.

Insert the Dowel at least half way by tapping lightly with a rubber mallet, IF NECESSARY.



CAM LOCK SYSTEM OPERATION



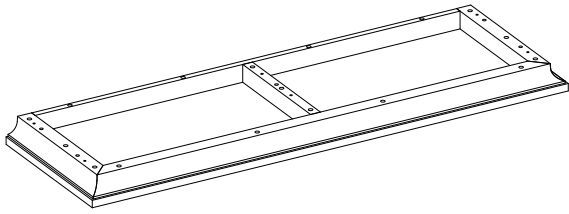
HOW THE KNOCK DOWN (KD) ASSEMBLY SYSTEM WORKS

1. Screw the Cam Bolt into the threaded inserts on the panel. Connect both panels together; making sure Cam Bolt goes into the pre-drilled hole on the end of panel for Cam Lock.
2. Insert the Cam Lock into the pre-drilled large hole on the panel. Make sure the arrow on the face of Cam Lock faces out and points towards Cam Bolt.
3. Take a Phillips screwdriver and rotate the Cam Lock clockwise to lock the Cam Bolt in place.
4. Plug the Cam Lock Cover into the cross slot of the Cam Lock to conceal the Cam.

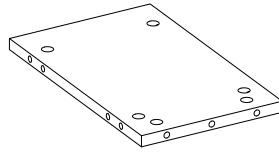
You are now ready to assemble the fireplace.

Parts and Hardware List

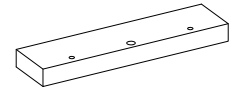
Please read completely through the instructions and verify that all listed parts and hardware are present before beginning assembly.



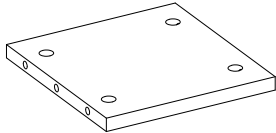
A- Top Panel (Qty. 1)



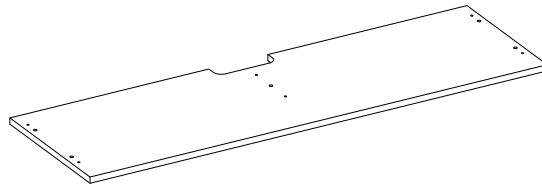
B- Upper Side Panel (Qty. 2)



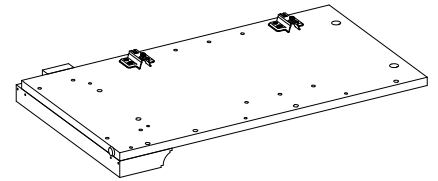
C- Upper Front Panel (Qty. 2)



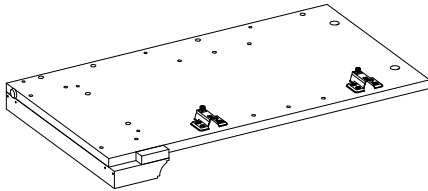
D- Upper Partition Panel (Qty. 1)



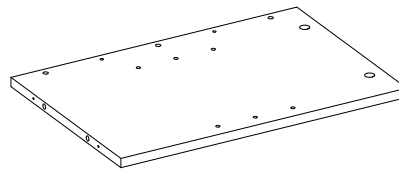
E- Center Shelf (Qty. 1)



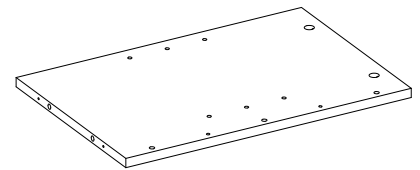
F- Left Lower Side Panel (Qty. 1)



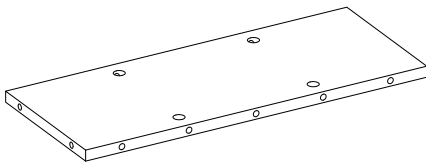
G- Right Lower Side Panel (Qty. 1)



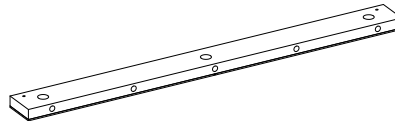
H- Left Lower Partition Panel (Qty. 1)



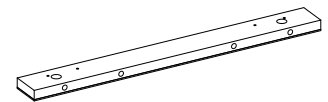
I- Right Lower Partition Panel (Qty. 1)



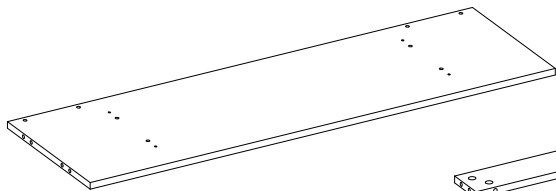
J- Lower Back Panel (Qty. 2)



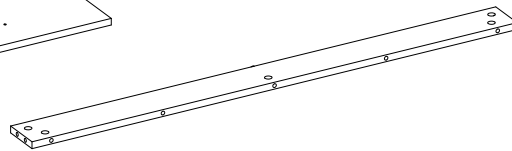
K- Center Crossbar (Qty. 1)



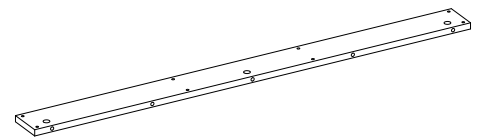
L- Middle Stile (Qty. 2)



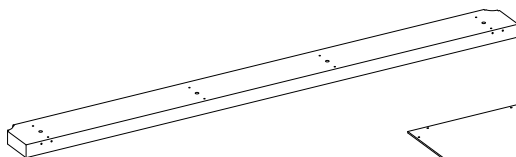
M- Bottom Panel (Qty. 1)



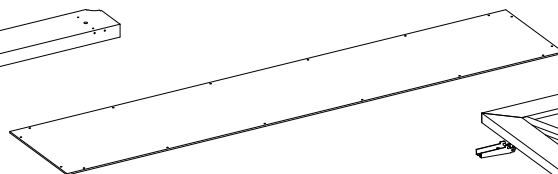
N- Bottom Back Stretcher (Qty. 1)



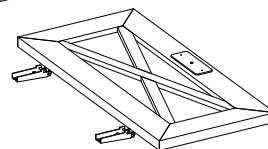
O- Bottom Front Stretcher (Qty. 1)



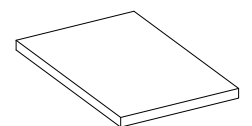
P- Bottom Front Molding (Qty. 1)



Q- Upper Back Panel (Qty. 1)



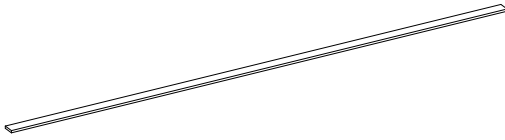
R- Door (Qty. 2)



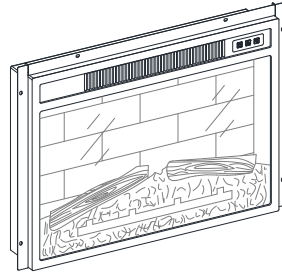
S- Adjustable Shelf (Qty. 2)

Parts and Hardware List

Please read completely through the instructions and verify that all listed parts and hardware are present before beginning assembly.



T- Stop Rail (Qty. 1)



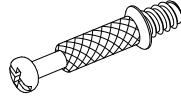
Fireplace Insert (Qty. 1)



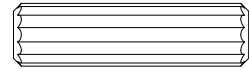
Remote Control with Battery (Qty. 1)



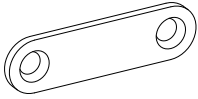
(1) Cam Lock
(Qty. 51+2 extra)



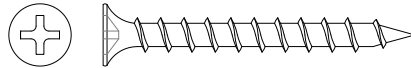
(2) Cam Bolt
(Qty. 51+2 extra)



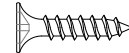
(3) M8 x 30 mm Wood Dowel
(Qty. 64+2 extra)



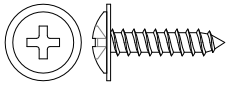
(4) Straight Metal Bracket
(Qty. 2)



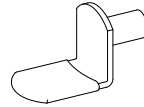
(5) M4 x 38 mm Screw
(Qty. 12+1 extra)



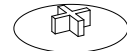
(6) M3 x 15 mm Flat Head Screw
(Qty. 12+1 extra)



(7) M3.5 x 15 mm Washer Head Screw
(Qty. 16+1 extra)



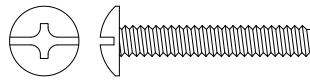
(8) Shelf Support
(Qty. 8+1 extra)



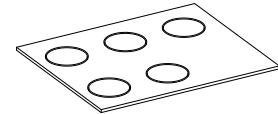
(9) Cam Lock Cover
(Qty. 24+1 extra)



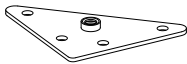
(10) Knob (Qty. 2)



(11) 25 mm Knob Bolt (Qty. 2)



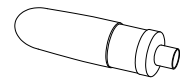
(12) Rubber Bumper (Qty. 4+1 extra)



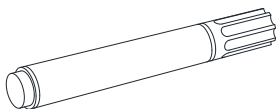
(13) Triangle Metal Plate (Qty. 2)



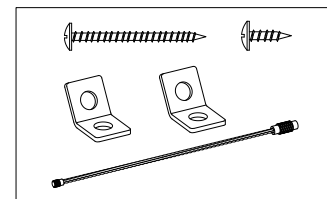
(14) Floor Leveler (Qty. 2)



Glue (Qty. 2)



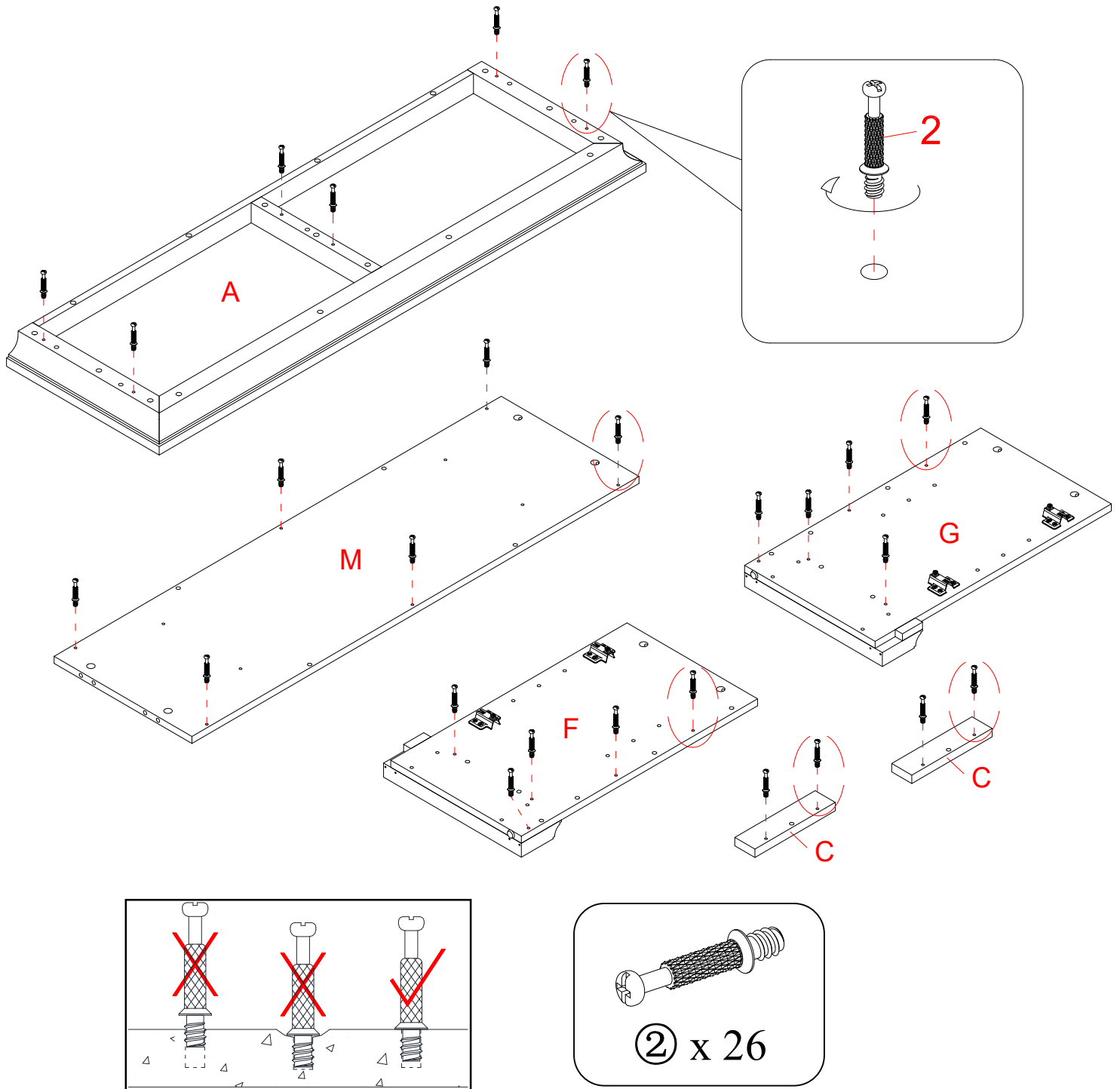
Touch-up Pen (Qty. 1)



Tipping Restraint Hardware Kit (Qty. 2)
(Included in plastic bag)

Tools required: Phillips screwdriver and rubber mallet (not provided).

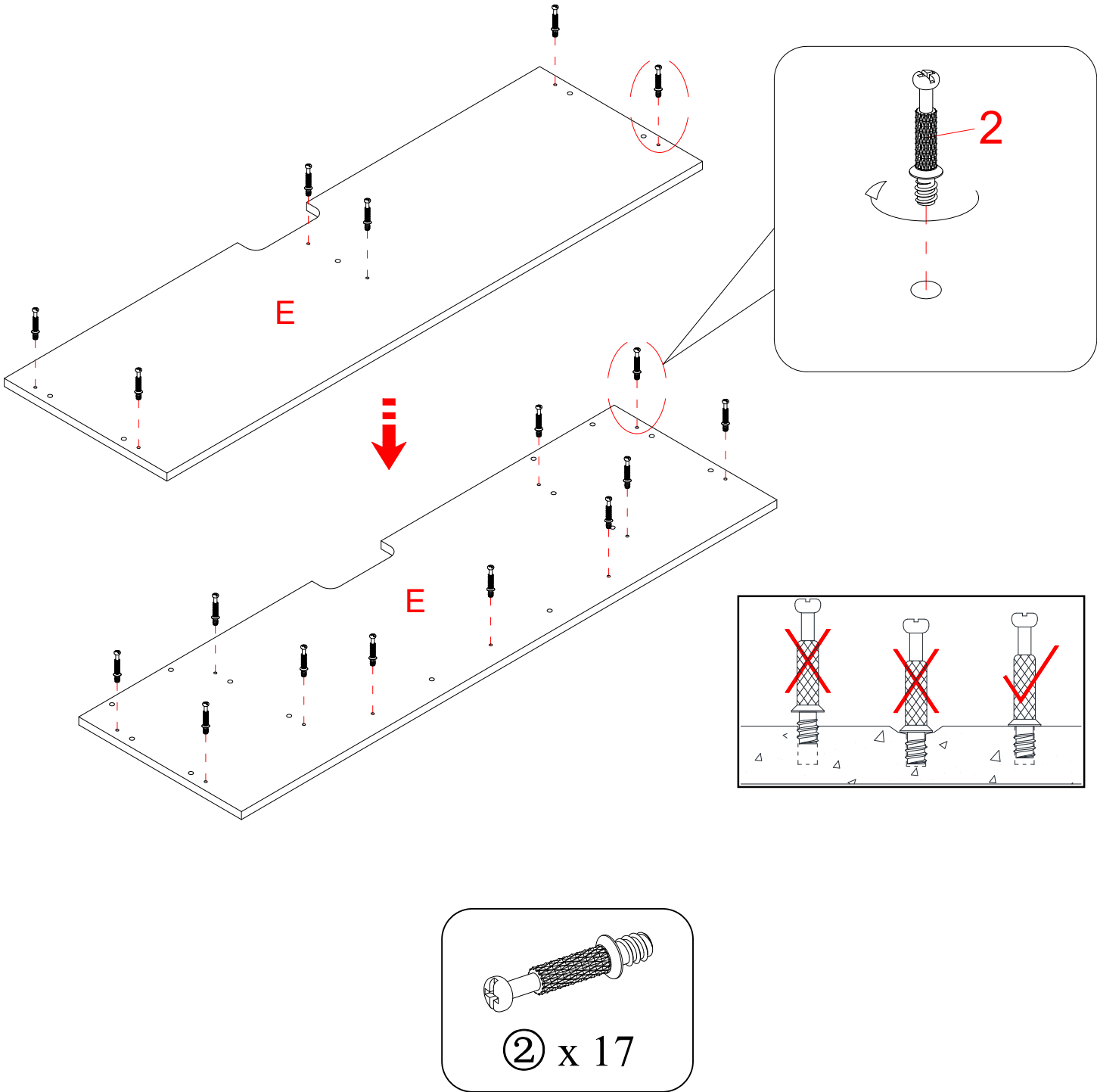
Assembly Instructions



NOTE: Please do not fully tighten all bolts until you finish assembling all parts. Once assembled, go back and fully tighten all bolts. This will make it easier during assembly of unit.

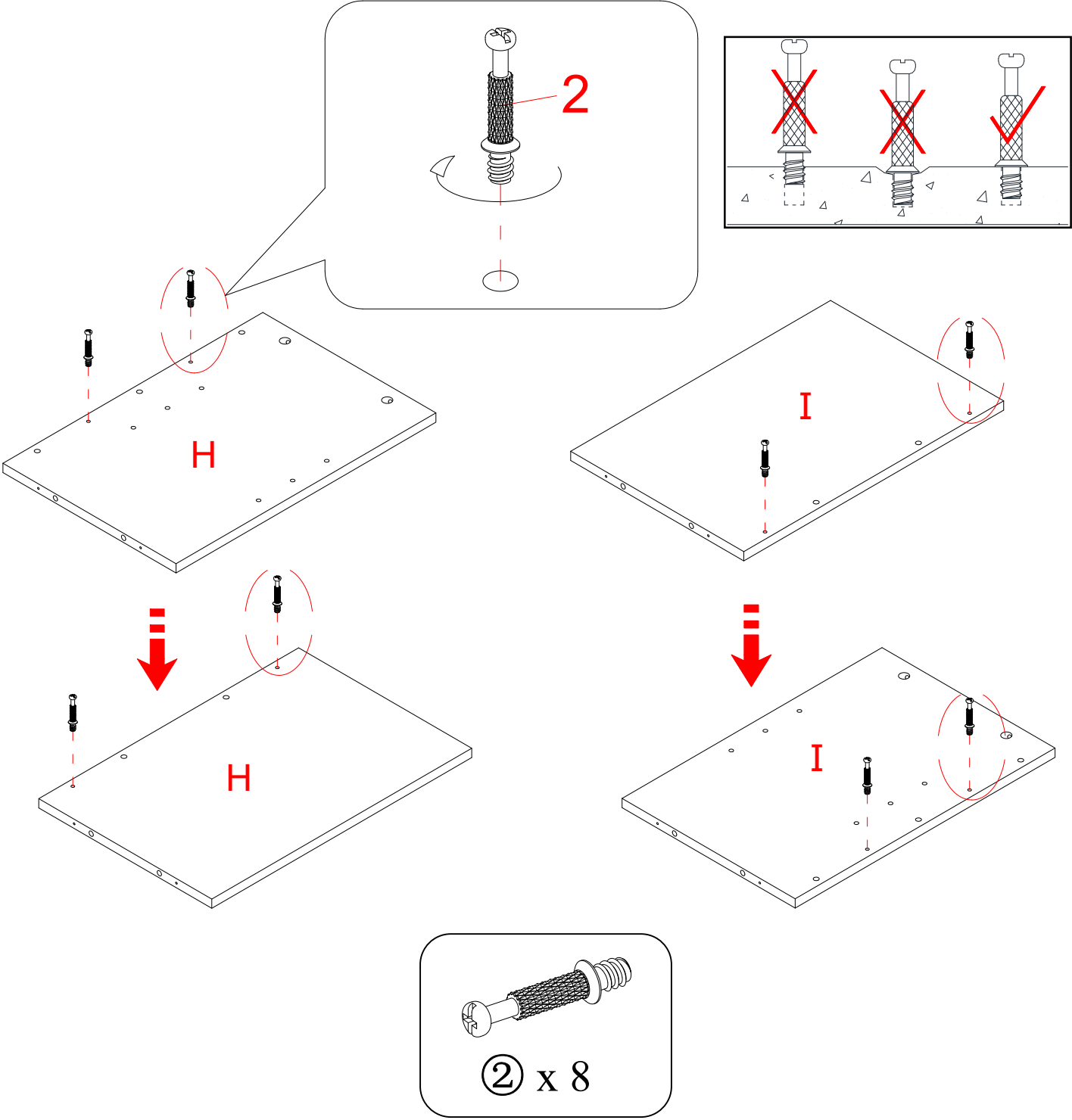
1. Unpack the unit and confirm that you have all the hardware and required parts. Assemble the unit on a carpeted floor or the empty carton to avoid any scratch.
2. Securely screw the Cam Bolts (2) into the designated small holes on the Top Panel (A), Bottom Panel (M), Lower Side Panels (F and G) and Upper Front Panels (C) using a Phillips screwdriver.

Assembly Instructions



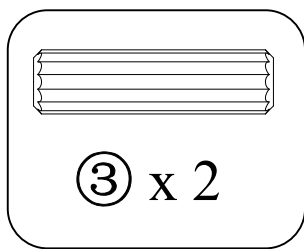
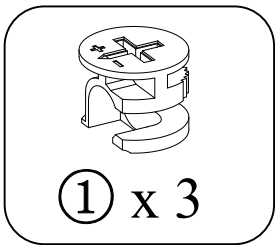
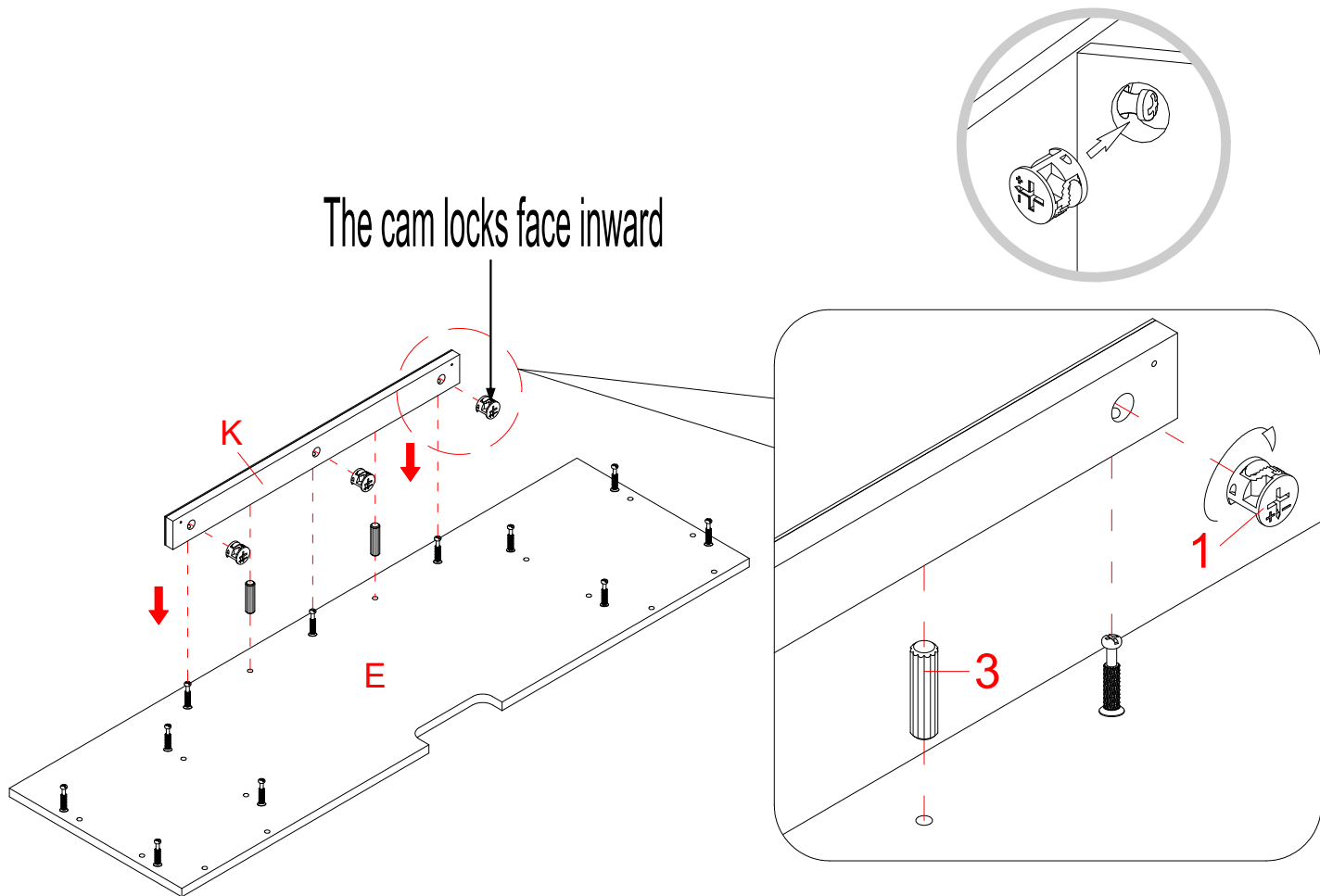
3. Securely screw seventeen Cam Bolts (2) into the designated small holes on the Center Shelf (E) on both sides.

Assembly Instructions



4. Securely screw the Cam Bolts (2) into the designated small holes on the Lower Partition Panels (H and I) at both sides.

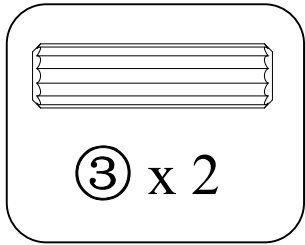
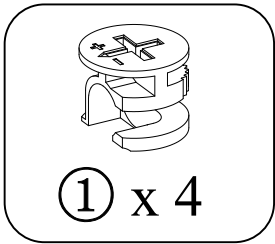
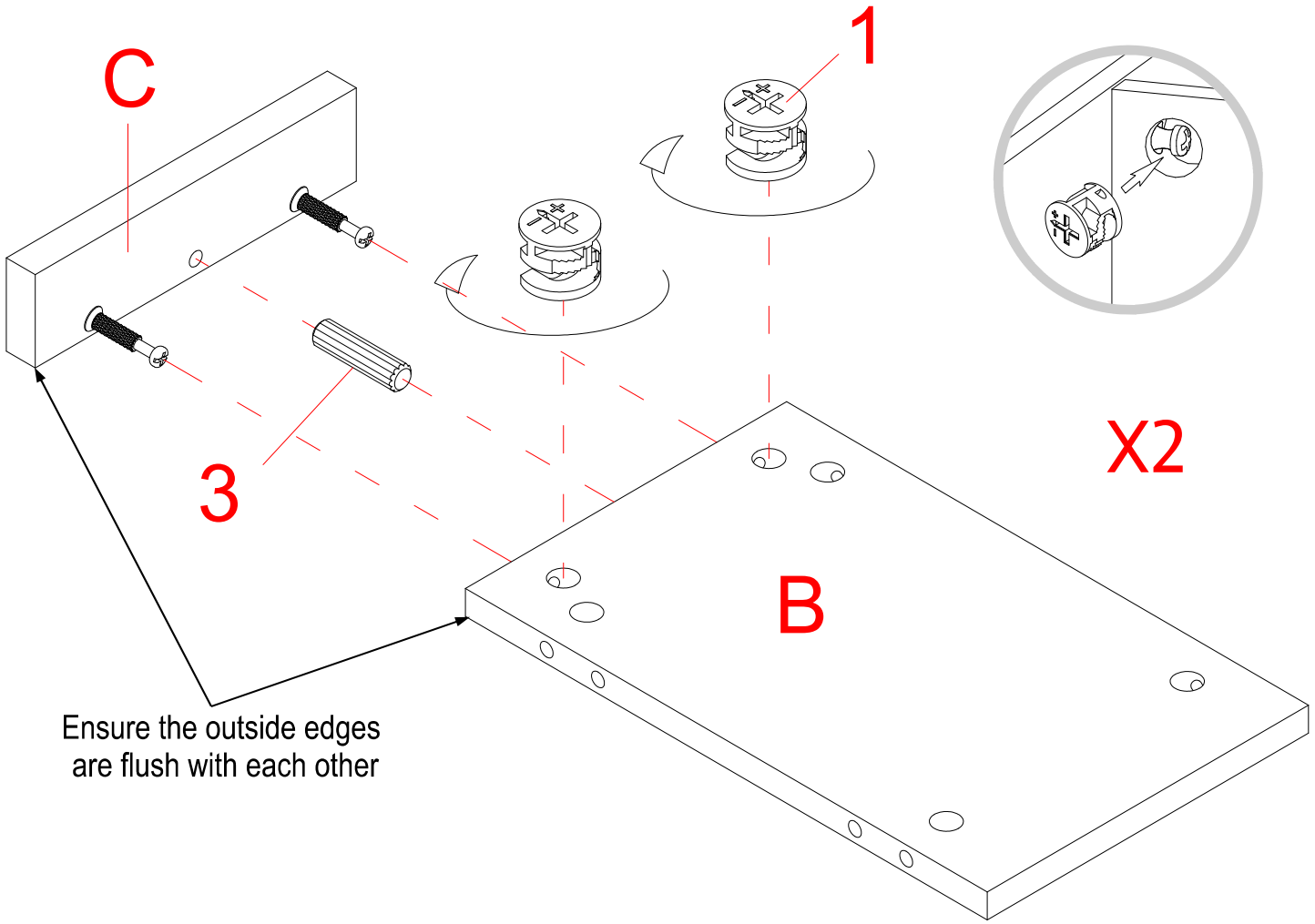
Assembly Instructions



5. Attach the Middle Crossbar (K) to the Center Shelf (E) with two Wood Dowels (3) and three Cam Locks (1) (Refer to page 3 on Cam Lock system operation supplement).

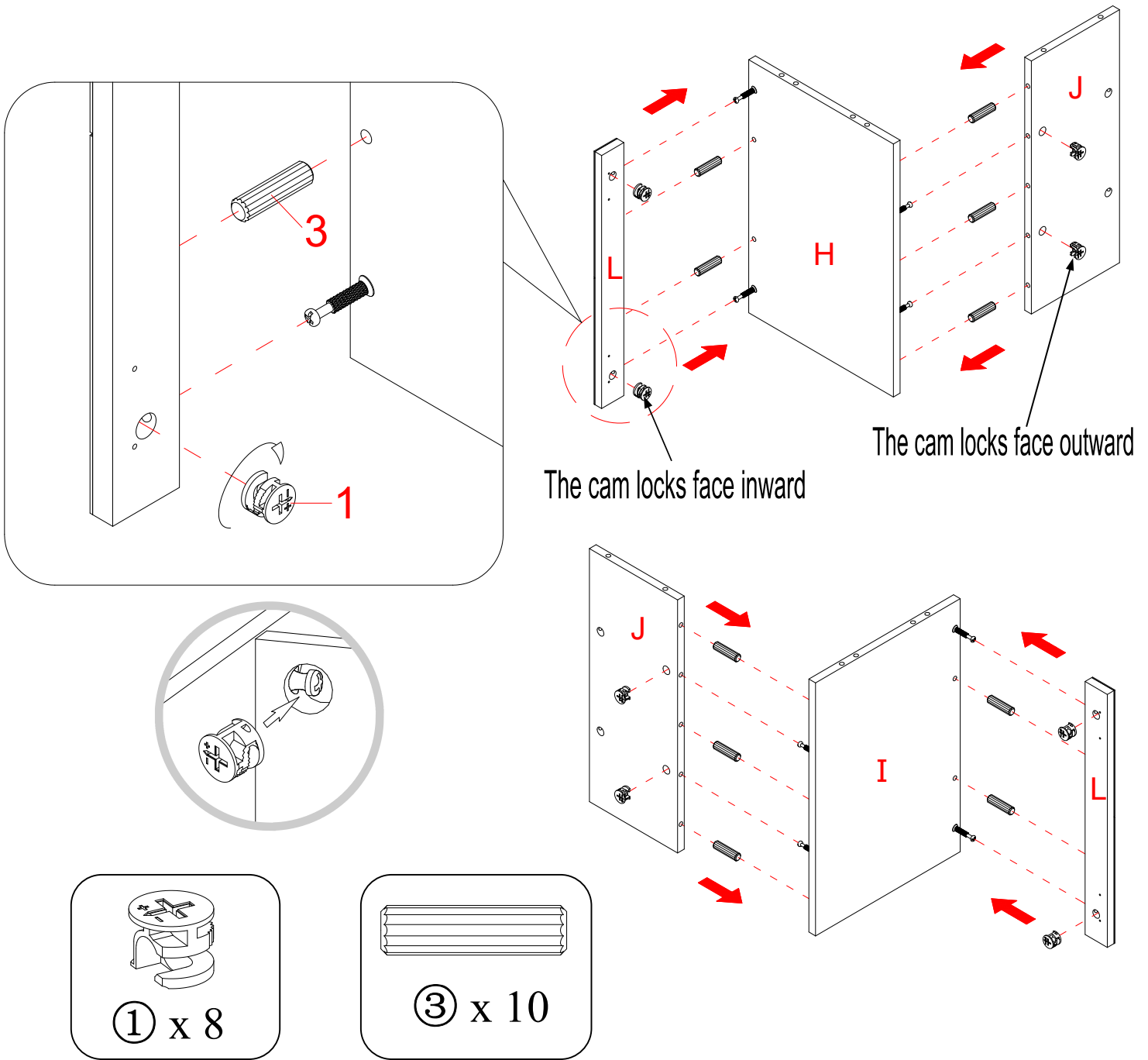
NOTE: Make sure that you use a small amount of glue with both ends of all dowels.

Assembly Instructions



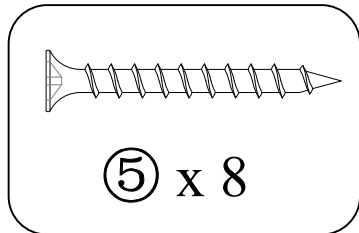
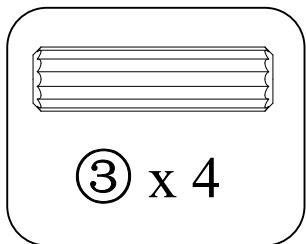
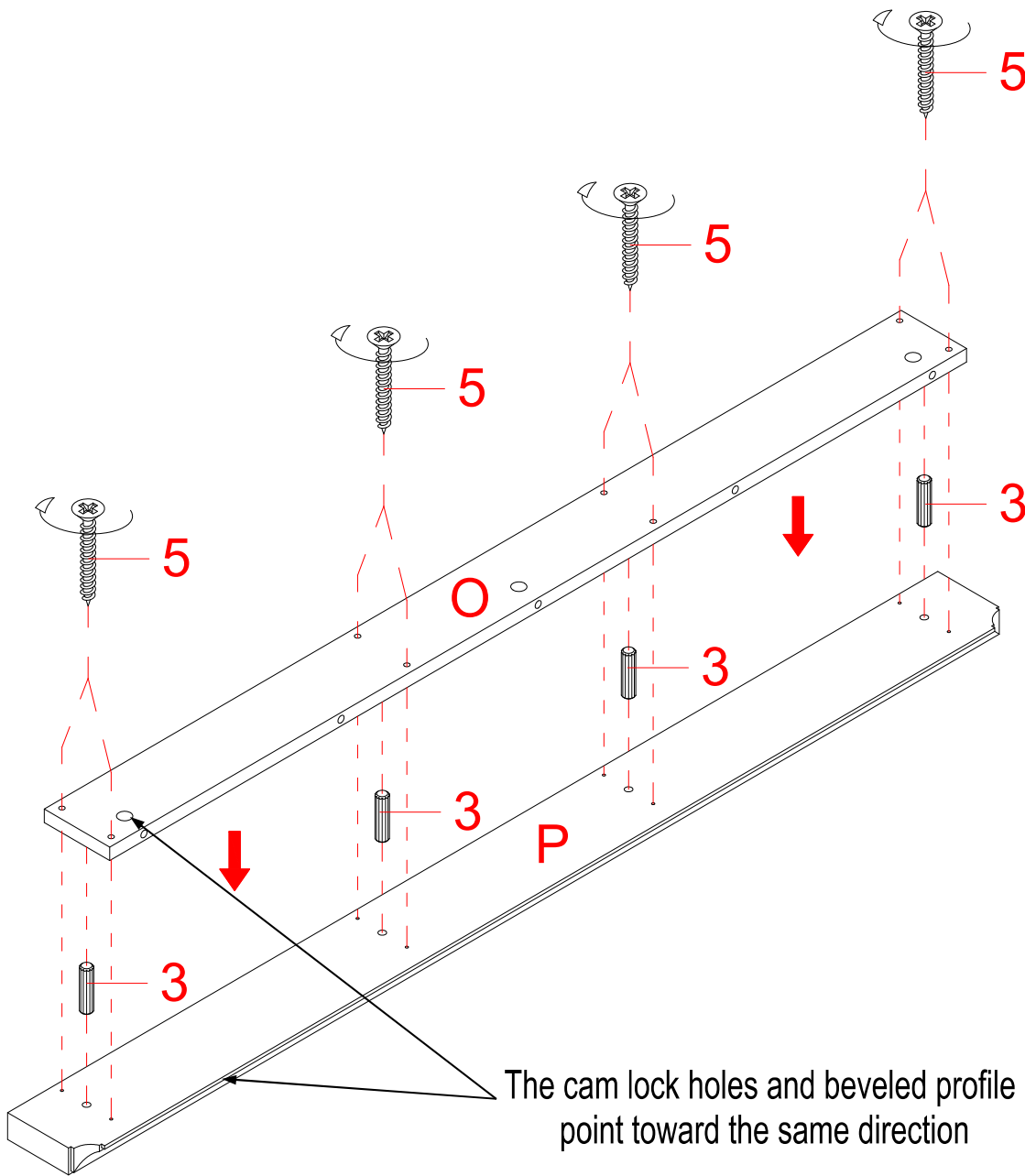
6. Attach one Front Panel (C) to one Upper Side Panel (B) with one Wood Dowel (3) and two Cam Locks (1).
7. Repeat the previous step to combine the other Front Panel (C) with the other Upper Side Panel (B) together.

Assembly Instructions



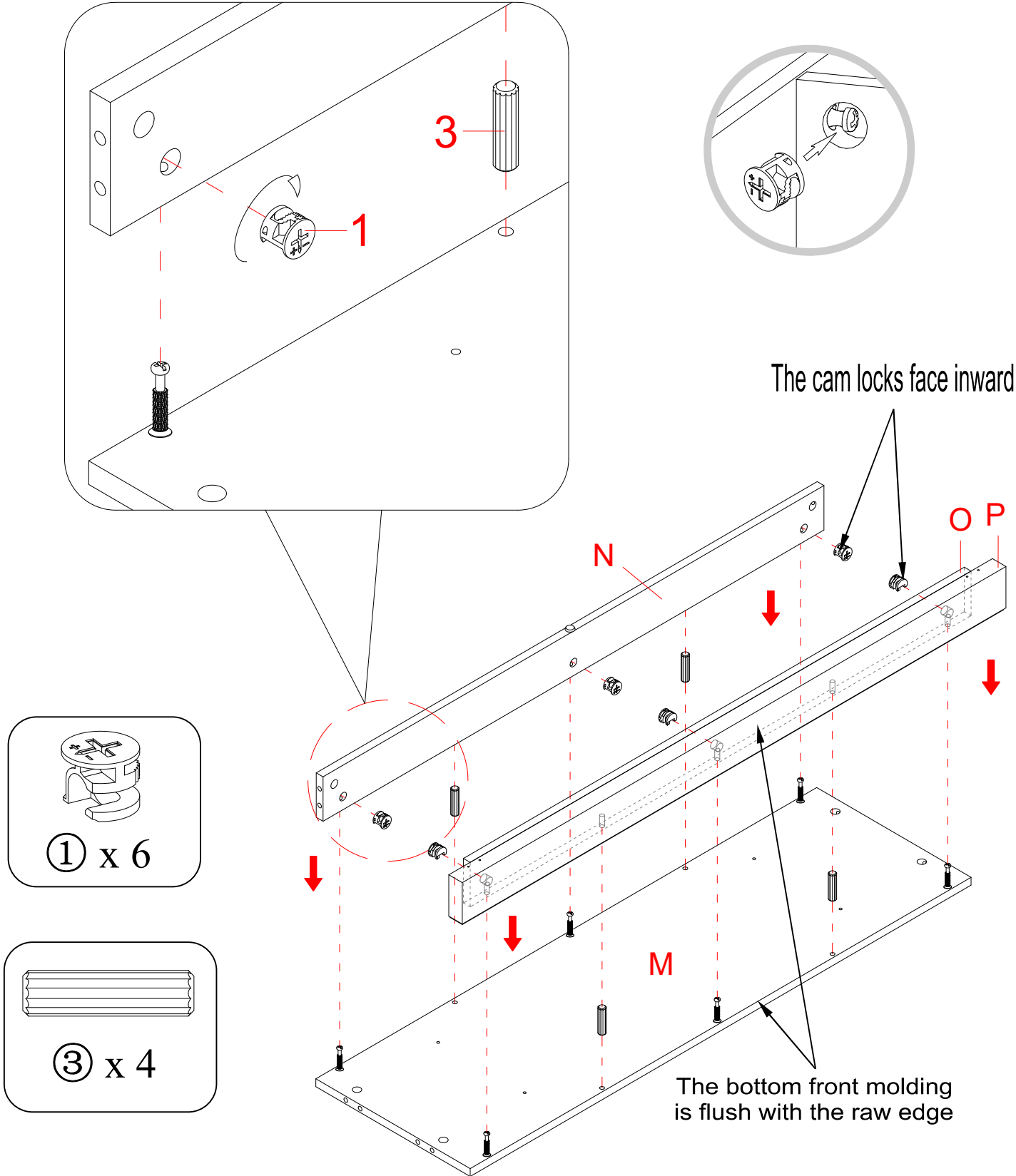
8. Attach one Middle Stile (L) to the Left Lower Partition Panel (H) with two Wood Dowels (3) and two Cam Locks (1).
9. Fasten one Lower Back Panel (J) to the Left Lower Partition Panel (H) with three Wood Dowels (3) and two Cam Locks (1).
10. Repeat the same procedure to attach the other Middle Stile (L) and Back Panel (J) to the Right Lower Partition (I).

Assembly Instructions



11. Attach the Bottom Front Stretcher (O) to the Bottom Front Molding (P) with four Wood Dowels (3) and eight 38 mm Screws (5).

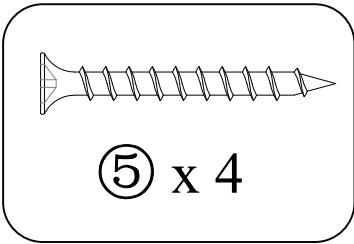
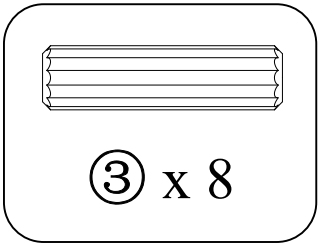
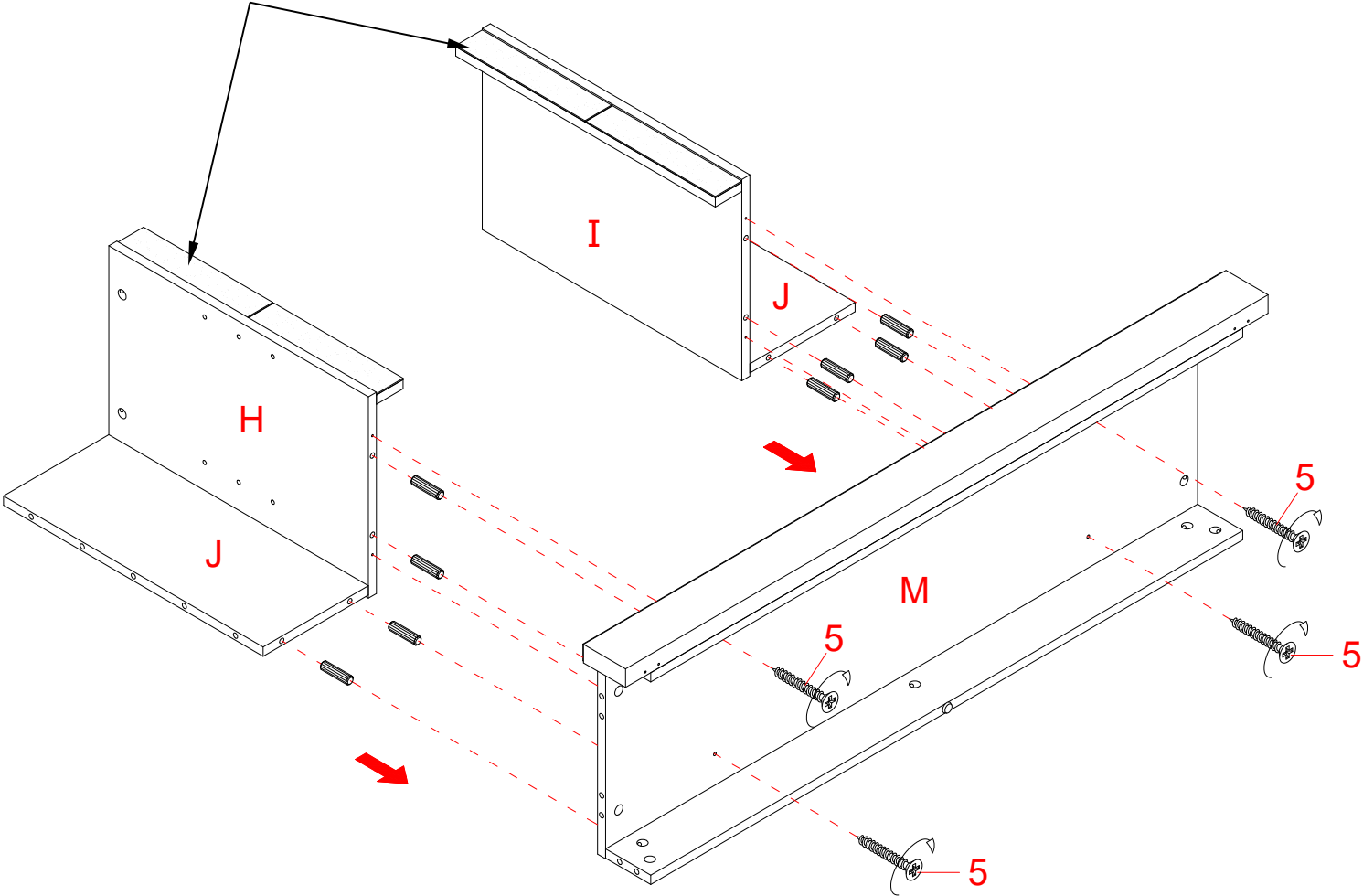
Assembly Instructions



12. Attach the Bottom Stretchers (N and O) to the Bottom Panel (M) with four Wood Dowel (3) and six Cam Locks (1).

Assembly Instructions

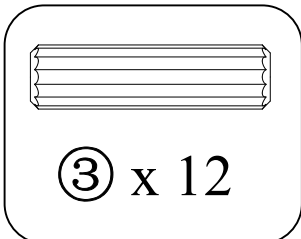
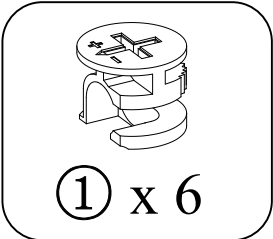
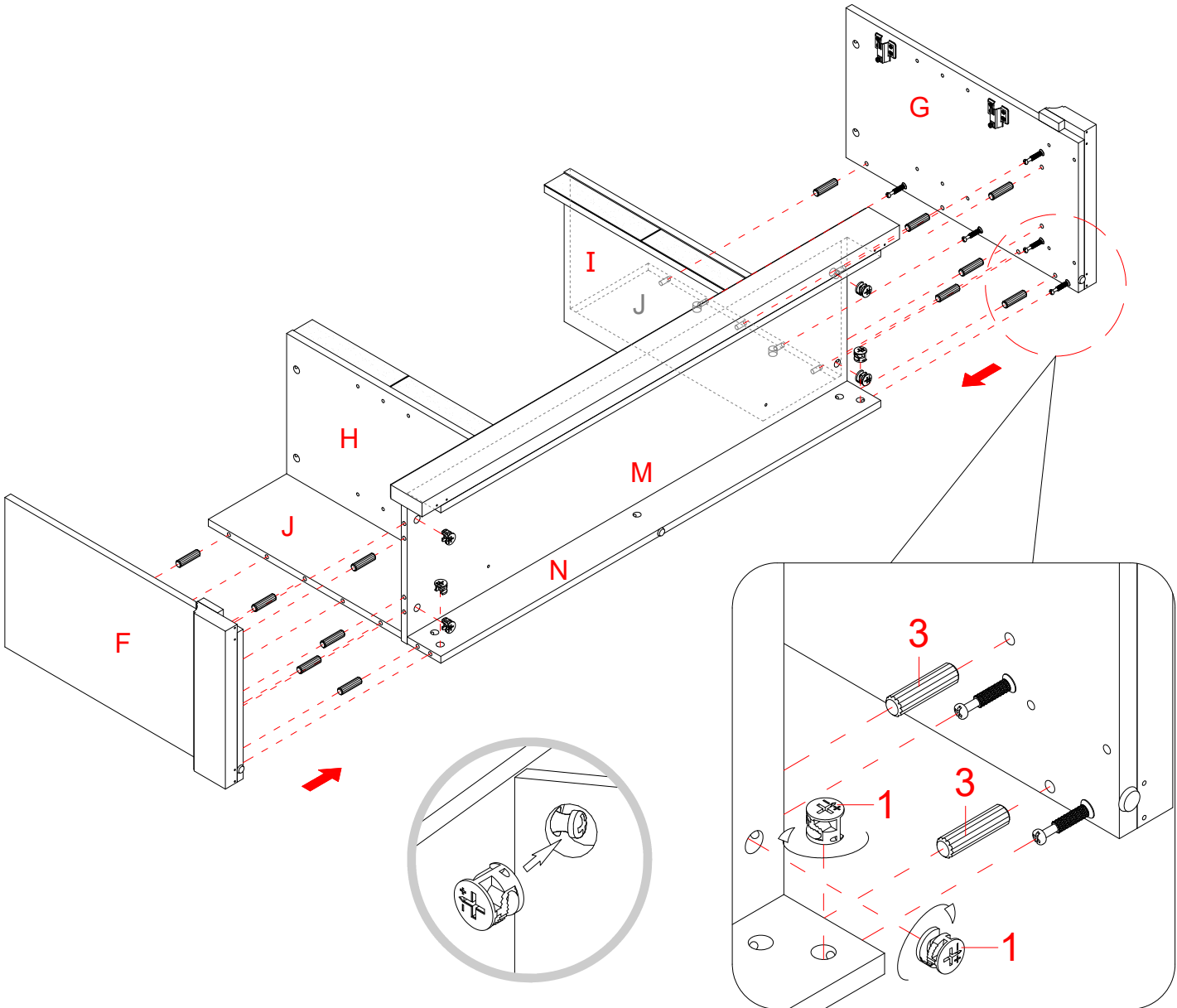
The Middle Stiles face inward



13. Attach the Left Lower Partition Panel assembly to the Bottom Panel (M) with four Wood Dowels (3) and two 38 mm Screws (5).

14. Repeat the same procedure to attach the Right Lower Partition Panel assembly at the opposite end.

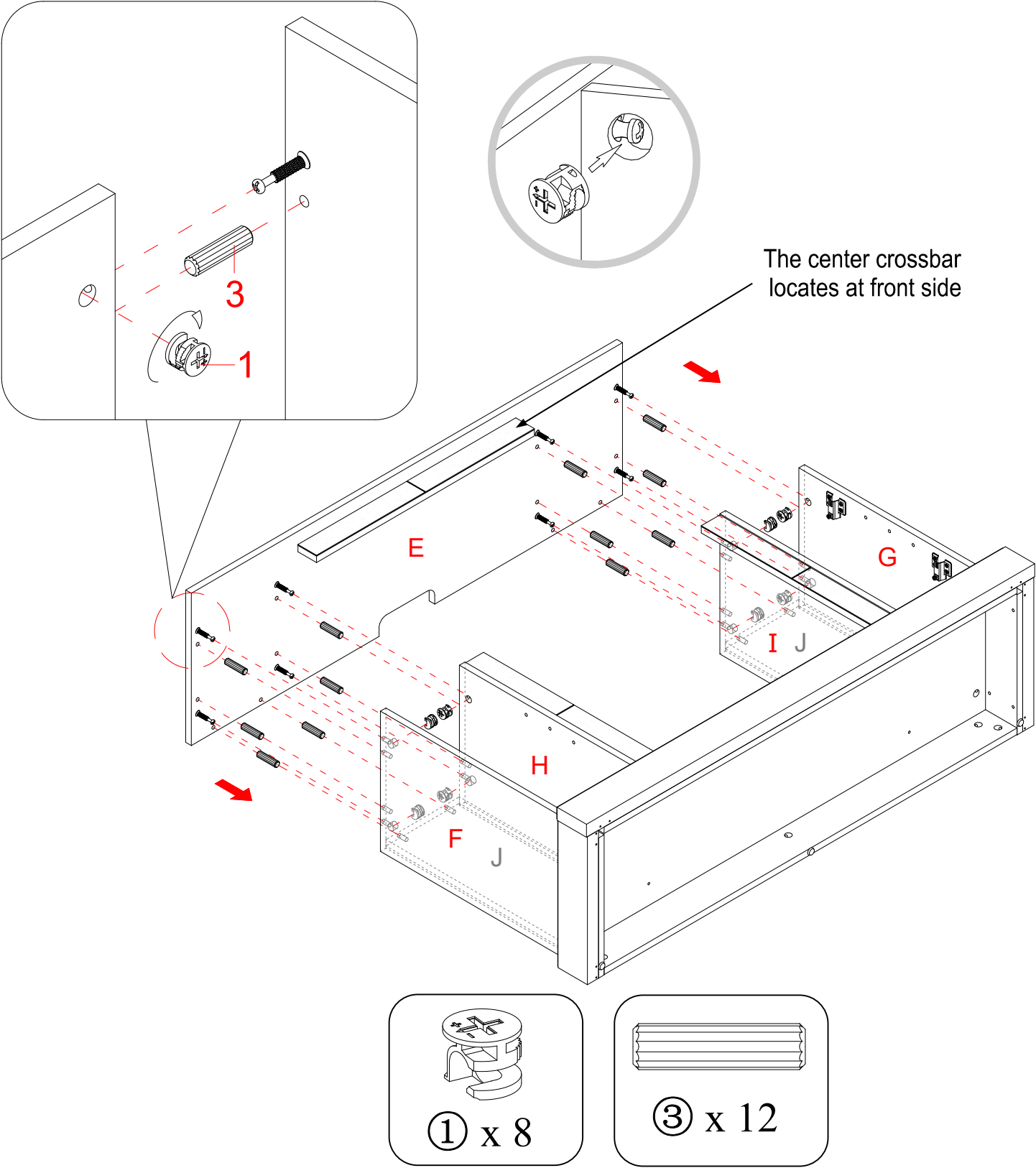
Assembly Instructions



15. Attach the Left Lower Side Panel (F) to the Panels (J, M and N) with six Wood Dowels (3) and three Cam Locks (1).

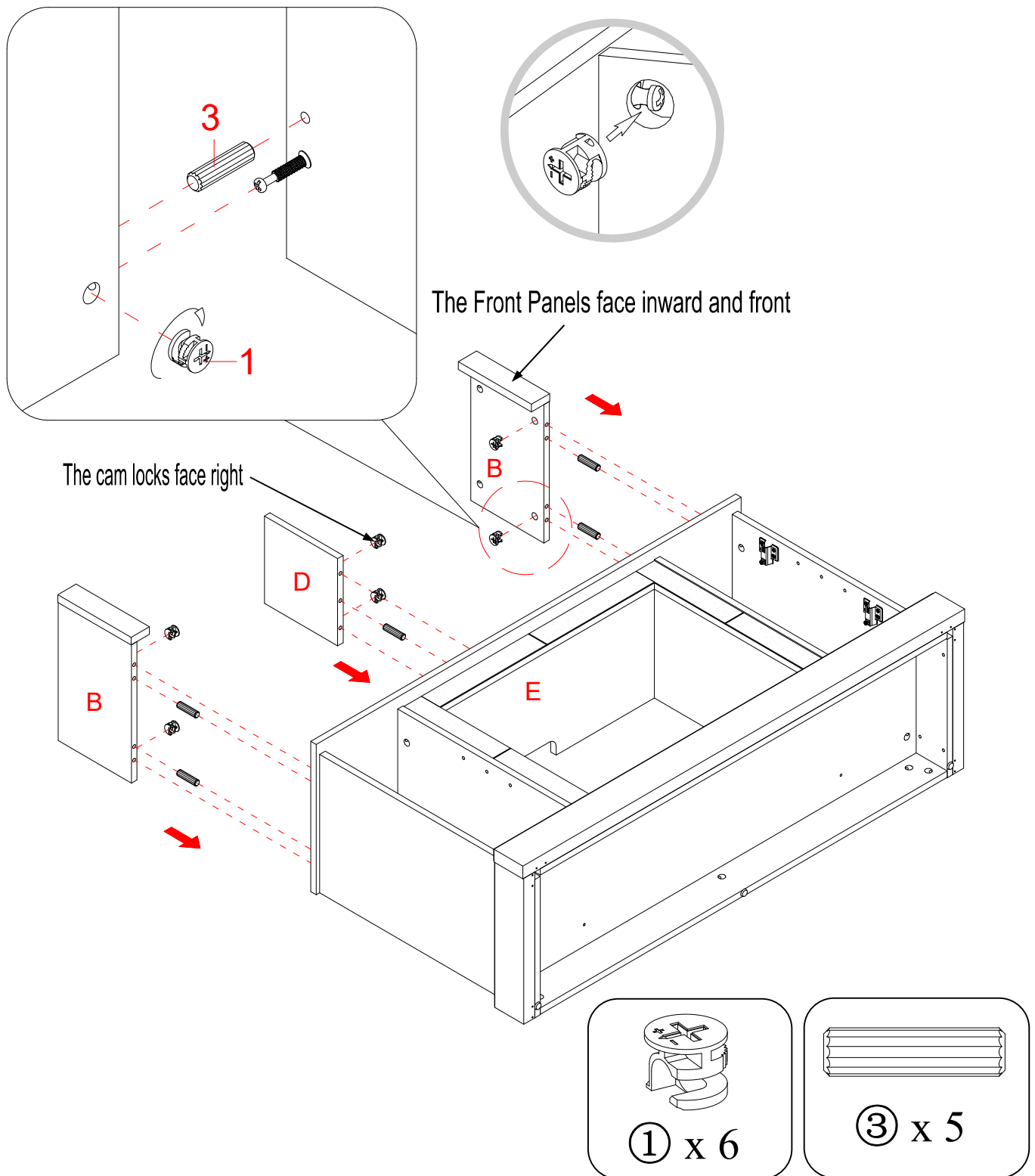
16. Repeat the same procedure to attach the Right Lower Side Panel (G) at the opposite end.

Assembly Instructions



17. Attach the Center Shelf assembly to the Panels (F, G, H and I) with twelve Wood Dowels (3) and eight Cam Locks (1).

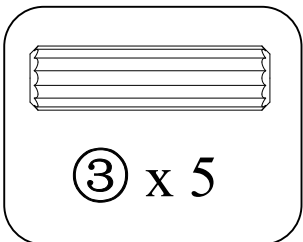
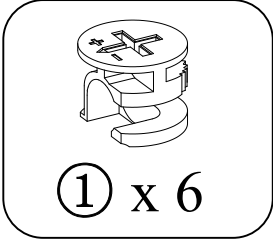
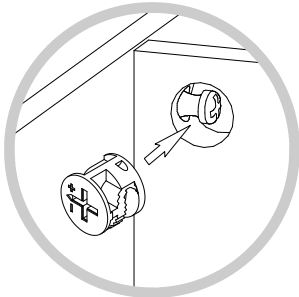
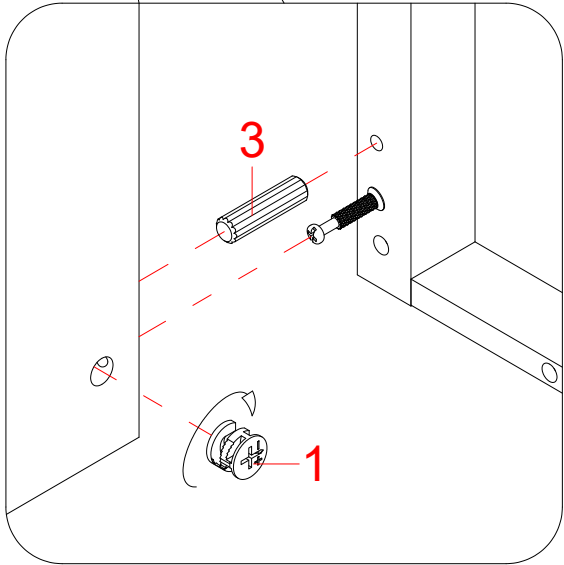
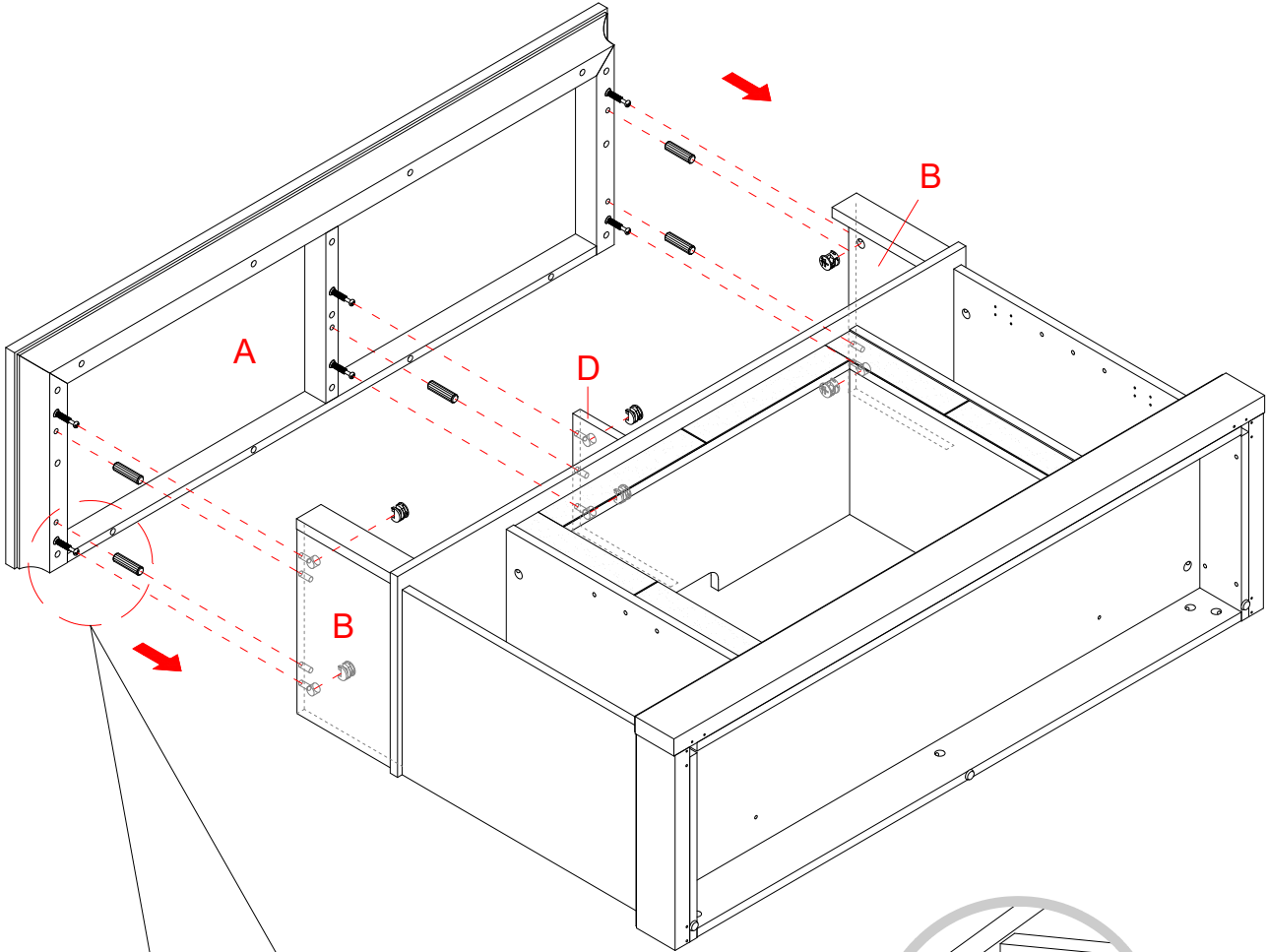
Assembly Instructions



18. Attach the Upper Side Panel assemblies to the Center Shelf (E) with four Wood Dowels (3) and four Cam Locks (1).

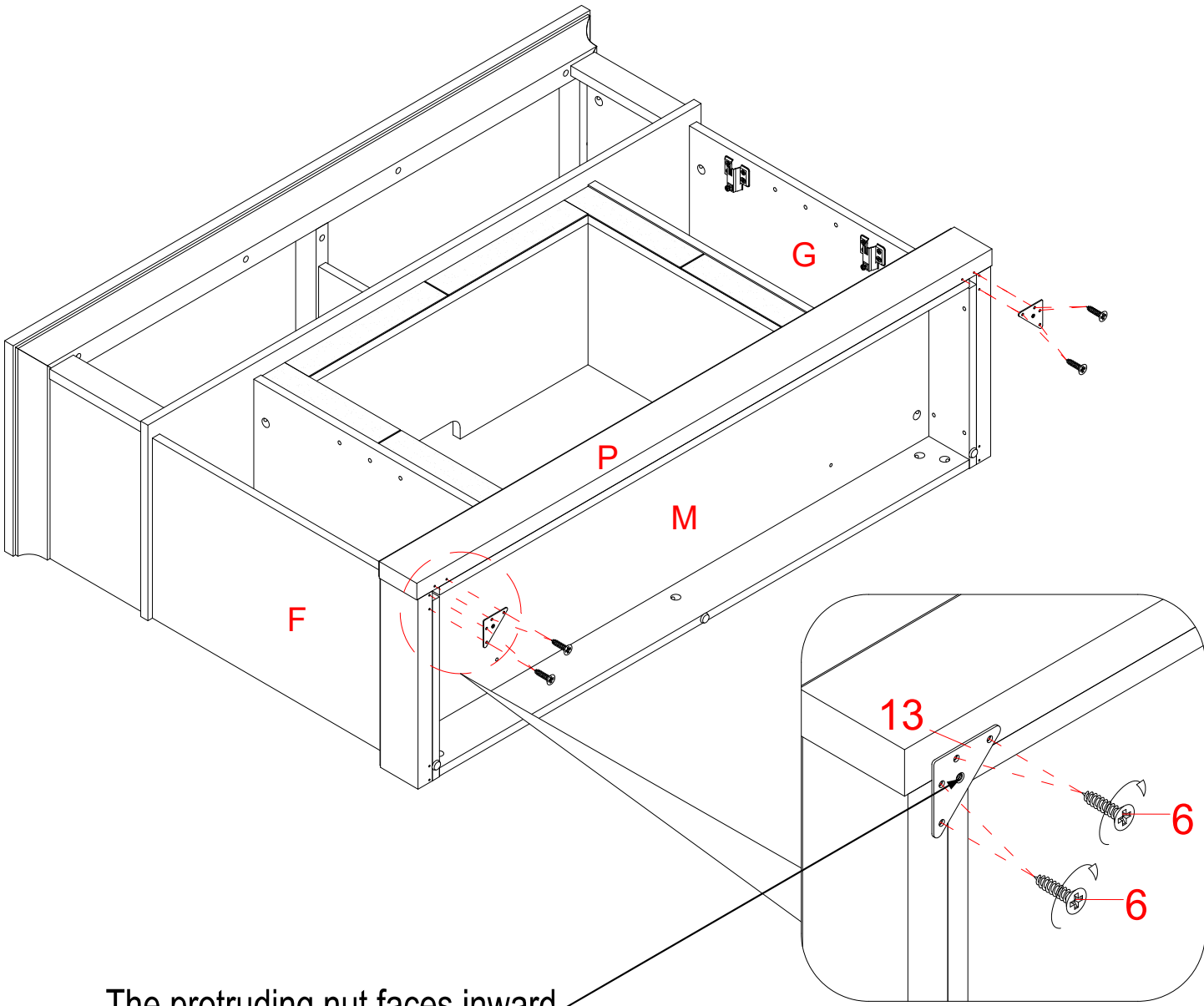
19. Fasten the Upper Partition Panel (D) to the Center Shelf (E) with one Wood Dowel (3) and two Cam Locks (1).

Assembly Instructions

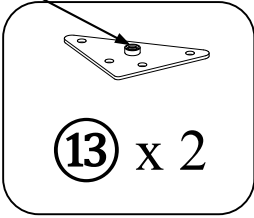
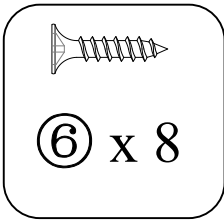


20. Attach the Top Panel (A) to the Panels (B and D) with five Wood Dowels (3) and six Cam Locks (1).

Assembly Instructions

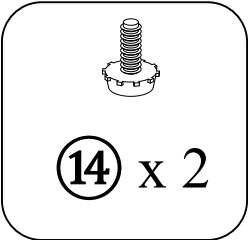
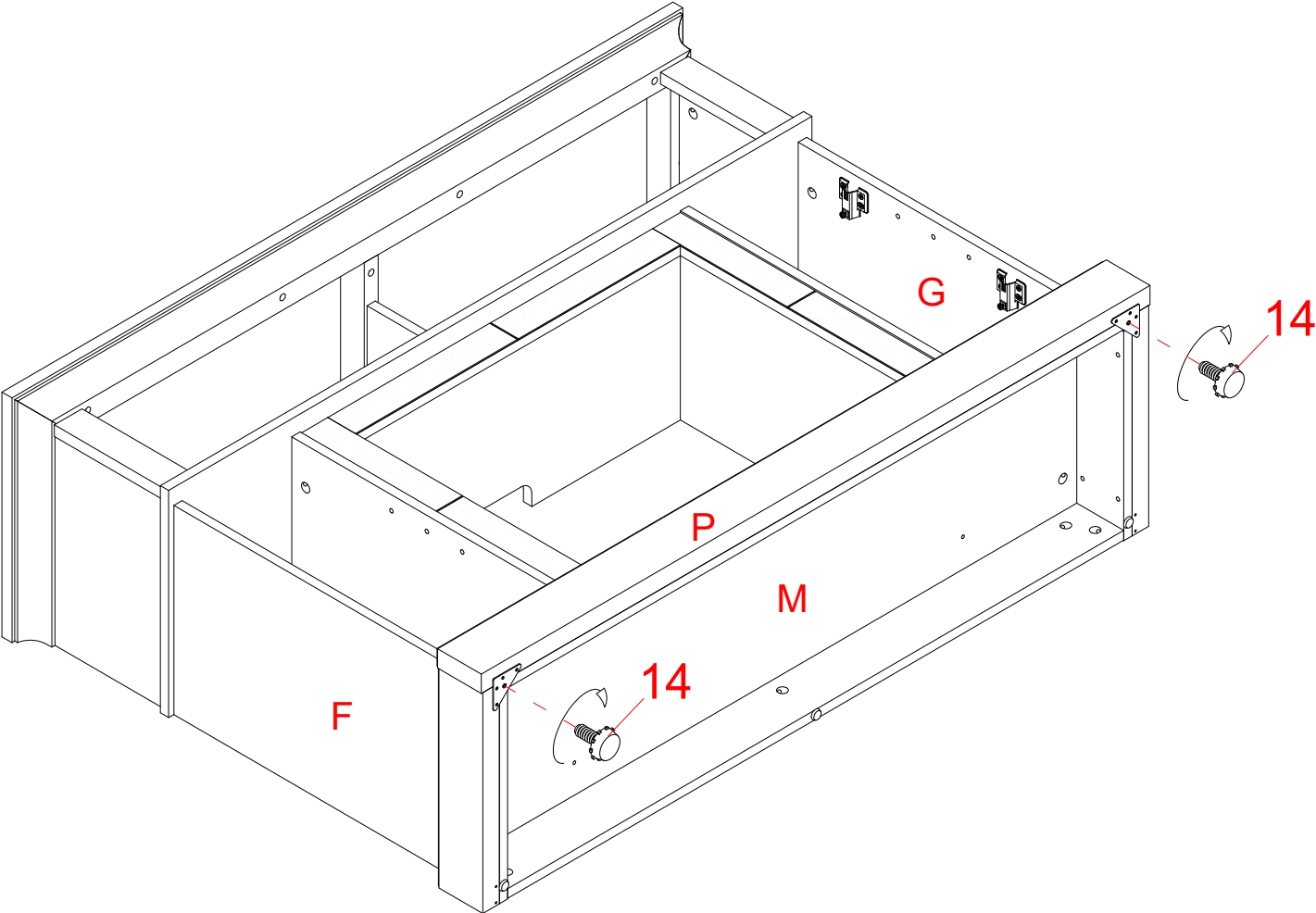


The protruding nut faces inward



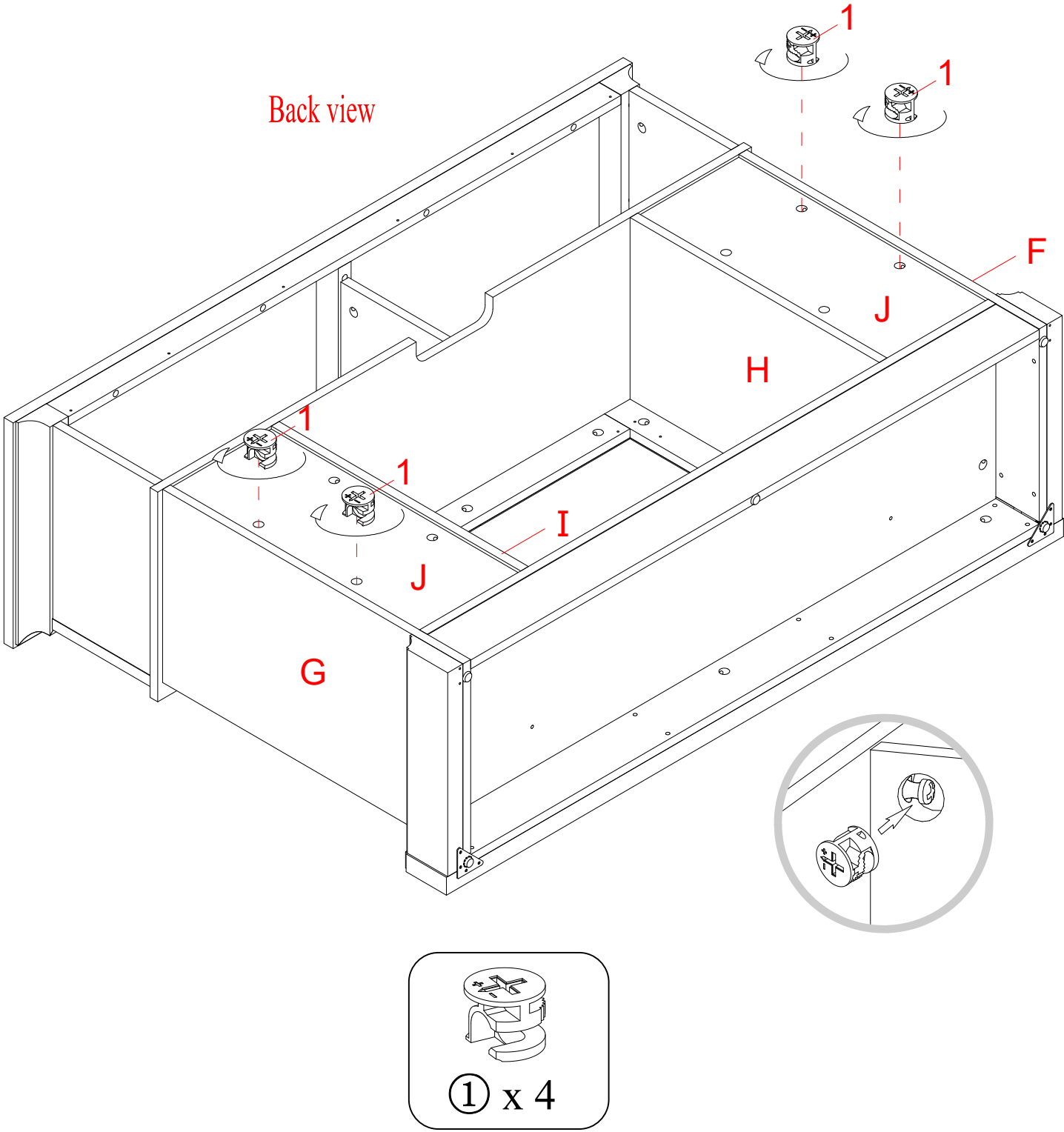
21. Using the pilot holes as a guide, fasten two Triangle Metal Plates (13) at the bottom joints between the Bottom Front Molding (P) and Lower Side Panels (F and G) using four 15 mm Screws (6) per plate.

Assembly Instructions



22. Tightly screw two Floor Levelers (14) into the Triangle Metal Plates (13) and set to the correct height.

Assembly Instructions

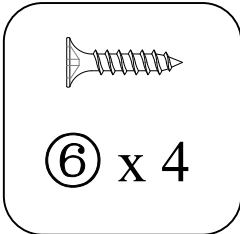
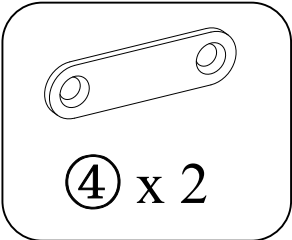
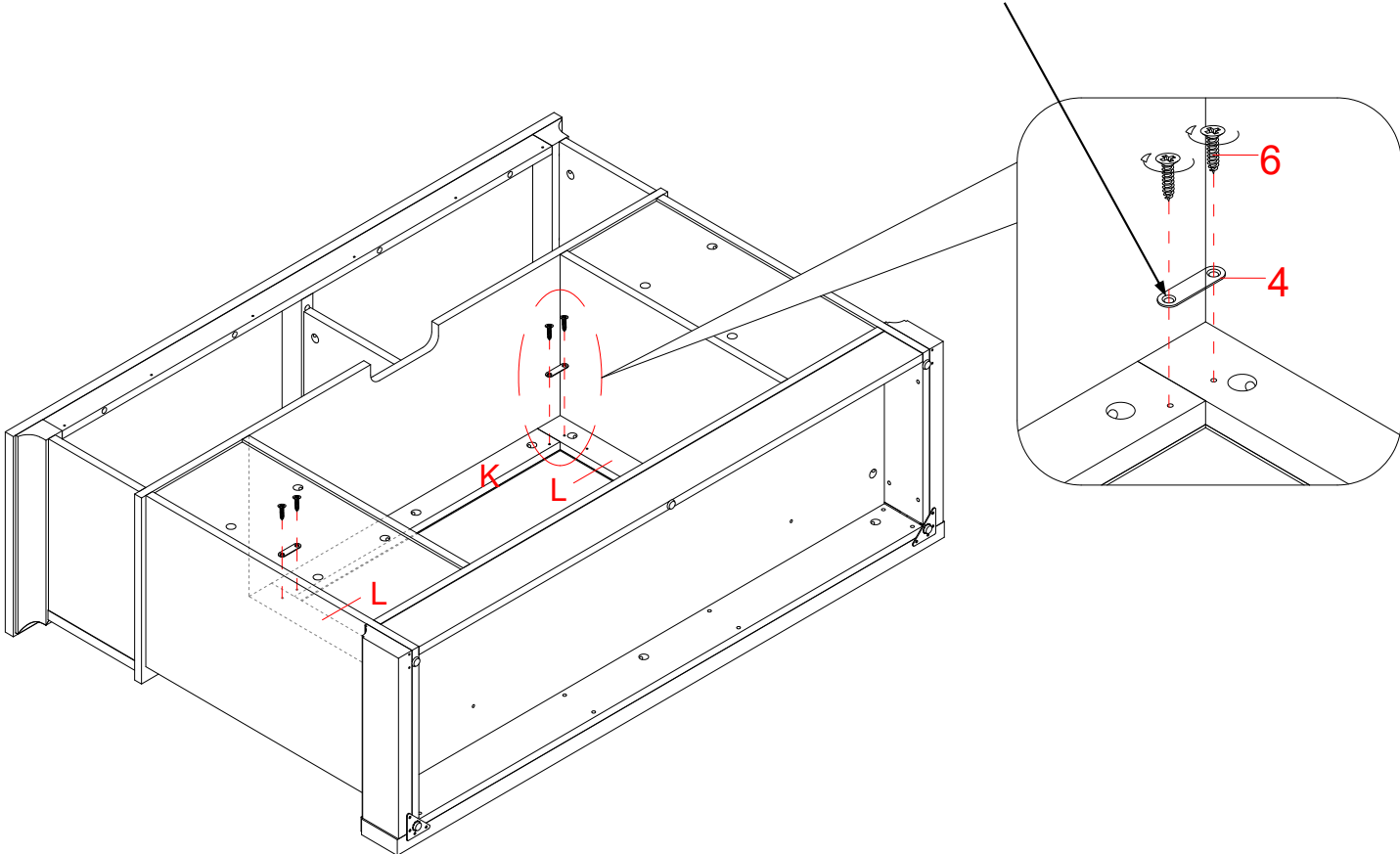


23. Flip the assembled unit around at its front edges.

24. Fasten the Lower Back Panels (J) to the Lower Side Panels (F and G) with four Cam Locks (1).

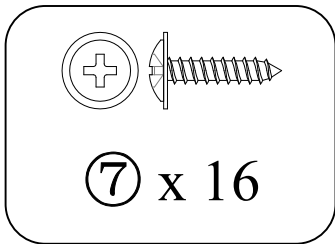
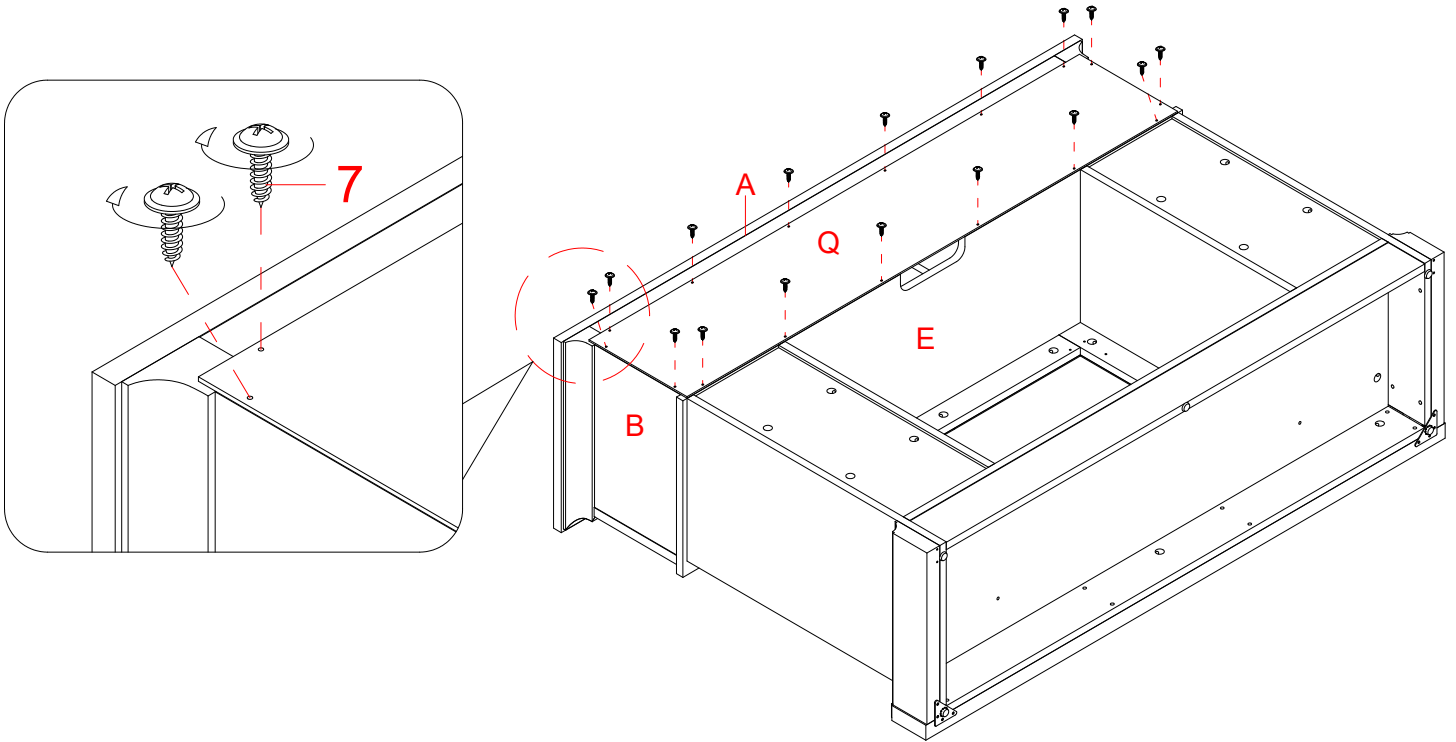
Assembly Instructions

The countersunk holes face upward



25. Using the pilot holes as a guide, fasten two Straight Metal Brackets (4) at the joints between Center Crossbar (K) and Middle Stiles (L) with two 15 mm Screws (6) per plate.

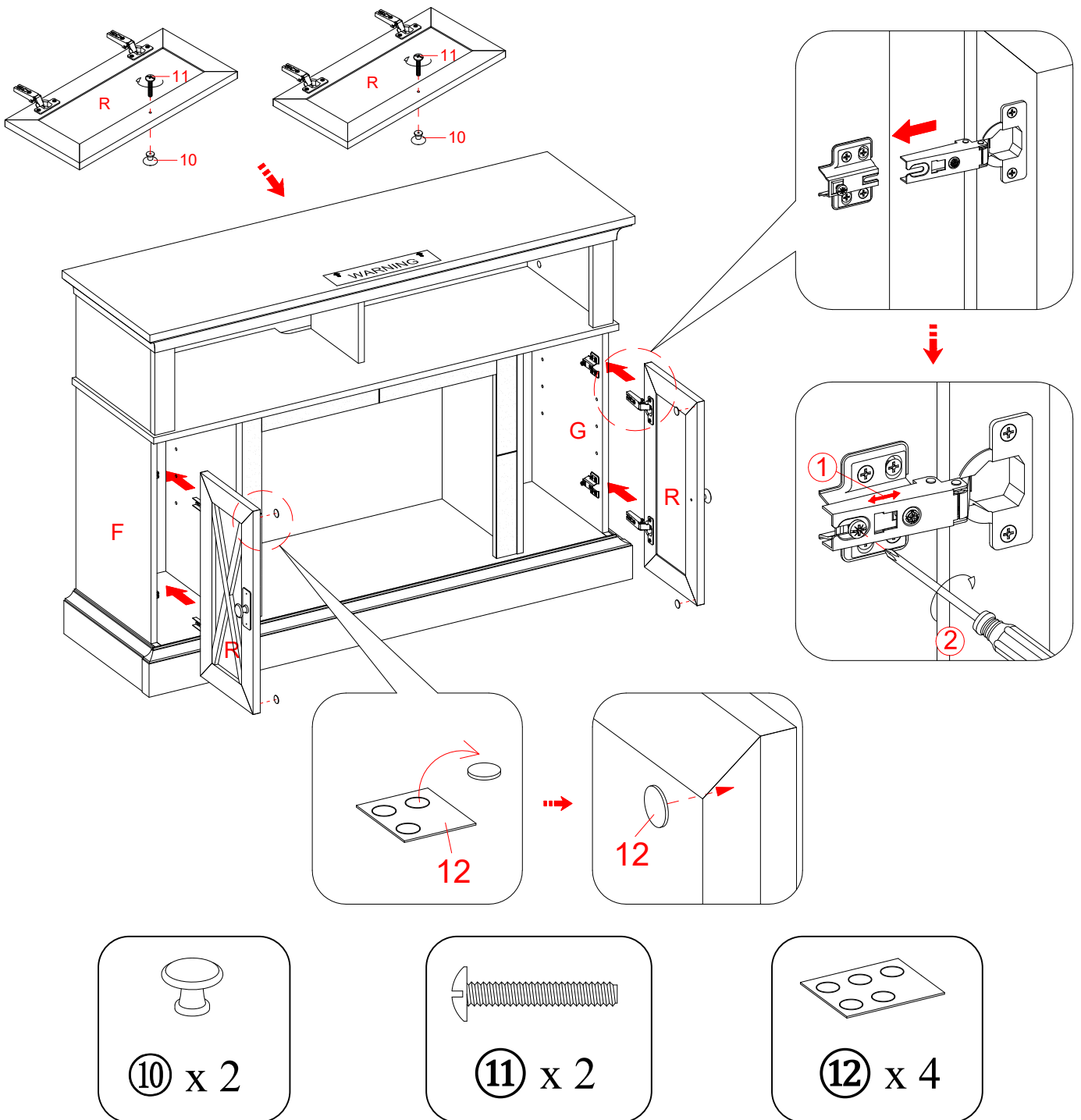
Assembly Instructions



26. Now, go back and securely tighten all the Cam Locks and the Screws. Make sure that all the parts are tight and there are no gaps between the parts. This will help keep the unit square.

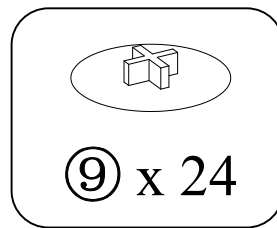
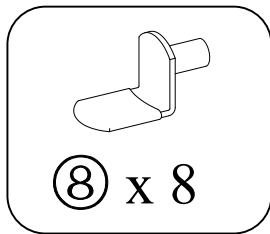
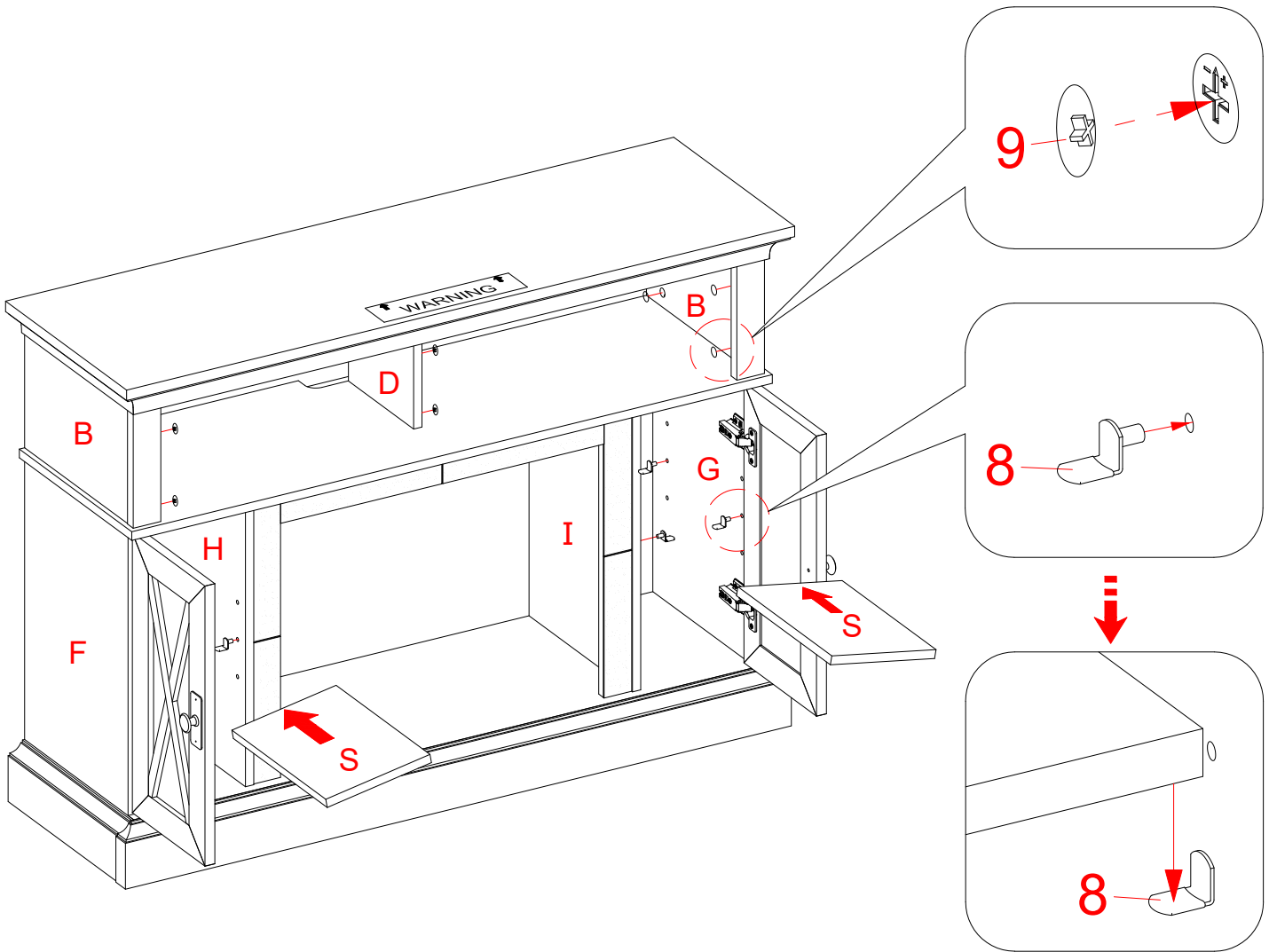
27. Align the Back Panel (Q) to the pilot holes on the back stretcher of Top Panel (A) and fasten it in place with sixteen 15 mm Washer Head Screws (7).

Assembly Instructions



28. Attach one Knob (10) to the front side of each Door (R) with the Knob Bolt (11).
29. Pick up one Door (R) and attach the extended Hinge Arms to the Hinge Bases installed on the Side Panel (F). Loosen the bolt on the back of Hinge Base for an easy fit. Align and insert the “U” slot on Hinge Arm under the bolt head on the back of Hinge Base. Make sure that both door hinges engage and function properly. Tighten the bolt on the Hinge Base to lock the hinges in place.
30. Repeat the same procedure to attach the other Door (R) to the Right Lower Side Panel (G).
31. Open and close the doors to make sure they are aligned and shut correctly. If necessary, adjust the screws for a good fit. Refer to the hinge sticker on door for adjustment.
32. Stick the Rubber Bumpers (12) at the outer corners of the Doors (R) where they come in contact with the Lower Partition Panels (H and I).

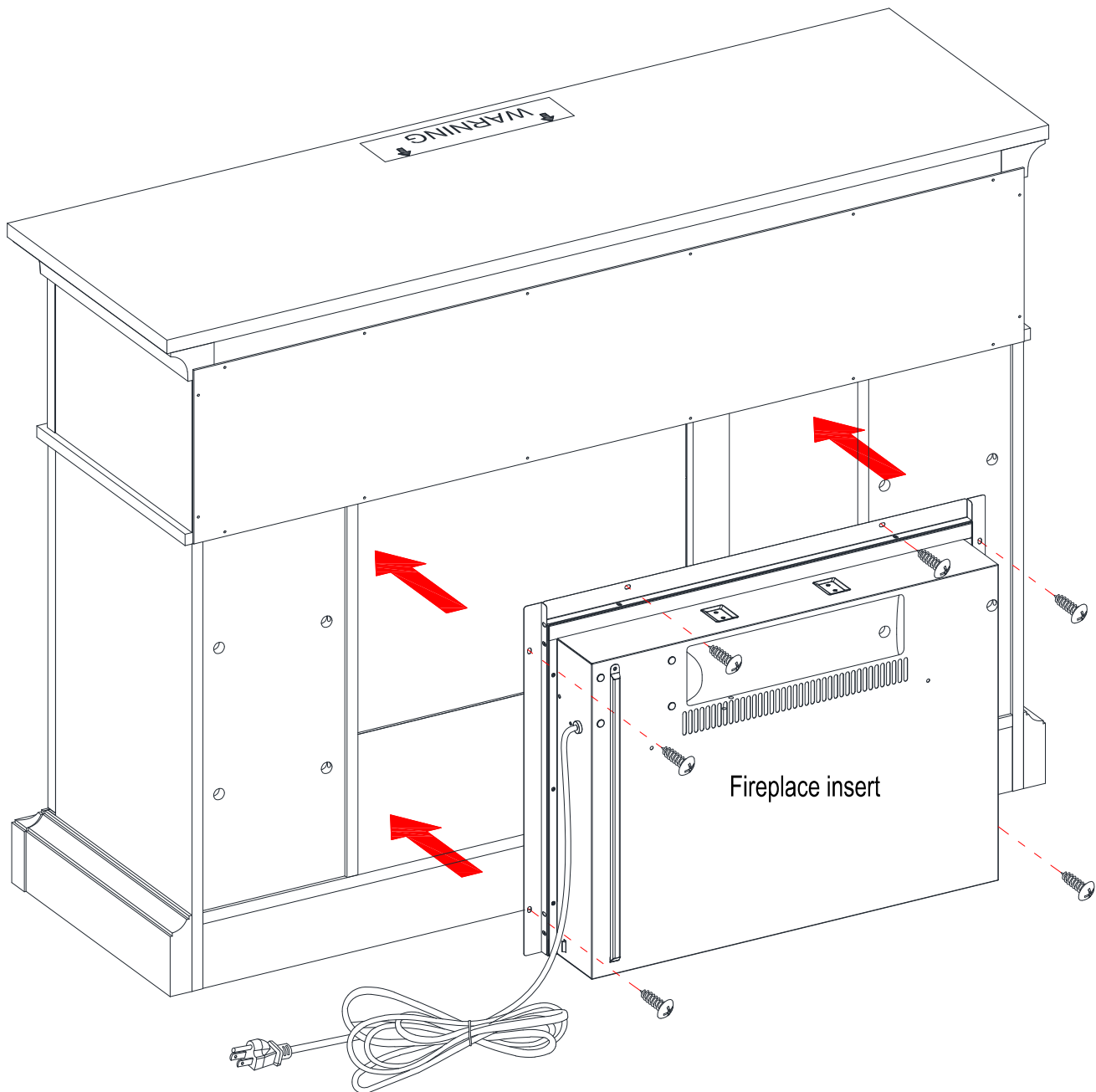
Assembly Instructions



33. Insert four Shelf Supports (8) into the desired holes inside each side compartment. Make sure you place four Shelf Supports in the same level so the shelf is not tilted. Rest the Adjustable Shelves (S) onto the Shelf Supports (8).

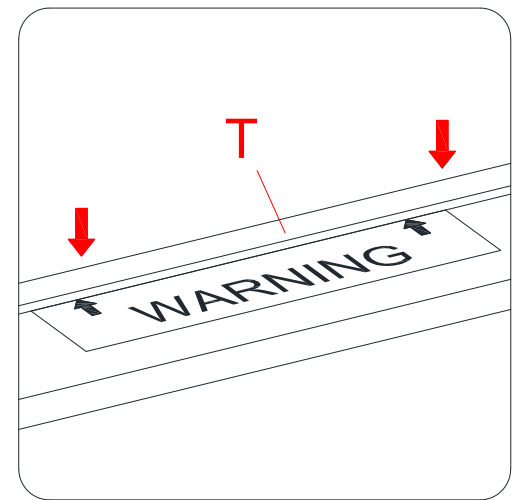
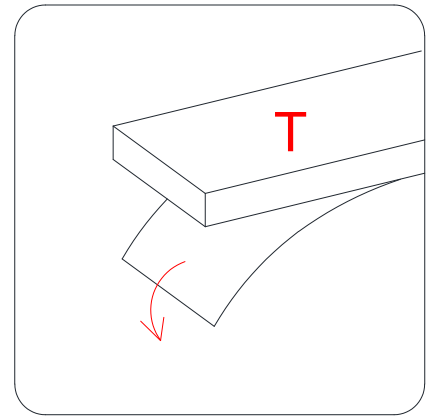
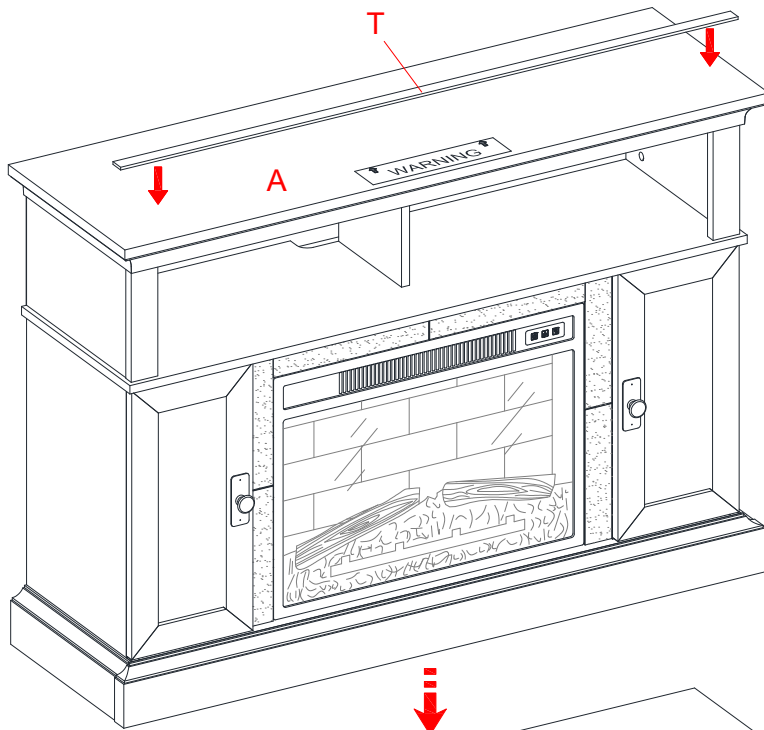
34. Plug the Cam Lock Covers (9) onto the visible Cams Locks to conceal the Cams.

Assembly Instructions



35. Unpack the fireplace insert from the inner box and follow the instructions to install the Top Trim and Side Trims to the fireplace insert.
36. Lift the fireplace insert carefully into the back of the assembled mantel and center it in the opening. **DO NOT** drag the insert across the Bottom Panel (M) as it may scratch the unit.
37. Fasten the fireplace insert to the mantel with six insert screws as shown.

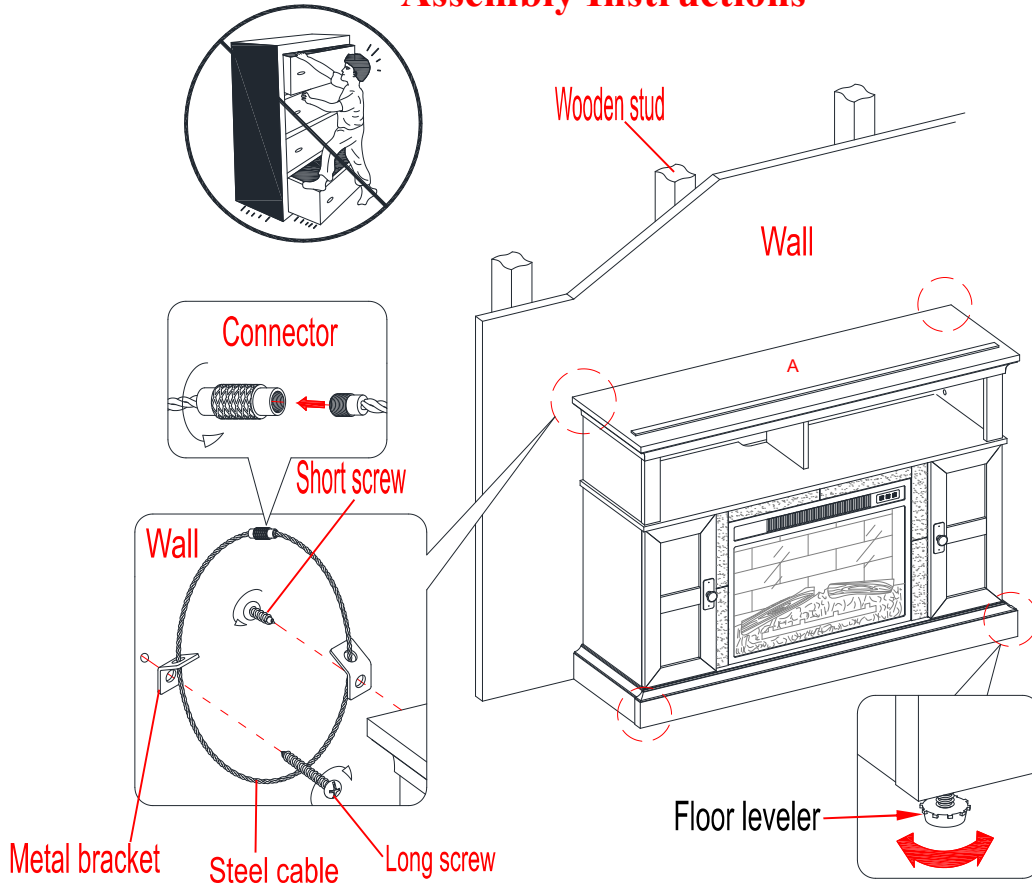
Assembly Instructions



NOTE: To prevent your TV from tipping, you must install the Strip Stopper if you place a flat panel television on the top panel. Otherwise, skip to step 39.

38. Remove the paper backing from the Stop Rail (T), then properly align the Stop Rail with the top edge of the stopper template on Top Panel (A). Press down on the Stop Rail to help adhesion.
39. Carefully remove the stopper template from the Top Panel (A).

Assembly Instructions



Tools required (not provided): Phillips screwdriver, stud finder, tape measure, pencil, power drill and 1/8" drill bit.

40. Ask for assistance to position the assembled fireplace at the desired location against a wall. If necessary, adjust the pre-attached Floor Levelers at the bottom of the Base to level the unit. Now, follow the instructions printed on the plastic bag containing the Tipping Restraint Hardware to attach the tip-over restraints to the unit and the wall.

NOTE: Young children can be seriously injured by tipping furniture. You must install the Tipping Restraint Hardware with the unit to prevent the unit from tipping, causing any accidents or damage. The tipping restraint is intended only as a deterrent, they are not a substitute for proper adult supervision. The tipping restraint is not an earthquake restraint. If you wish to add the extra security of earthquake restraints, they must be purchased and installed separately.

41. Connect the fireplace to the power transformer. Follow the operating manual for the electric fireplace insert to control your fireplace.

⚠ WARNING



Children have died from furniture tip-over.

To reduce the risk of furniture tip-over:

- ALWAYS install tip-over restraint provided.
- FOR use with televisions weighing 70 lbs or less. Use with heavier televisions may result in instability causing tip-over resulting in death or serious injury.
- NEVER allow children to stand, climb or hang on drawers, doors, or shelves.
- NEVER open more than one drawer at a time.
- Place heaviest items in the lowest drawers.

Use of tip-over restraints may only reduce, but not eliminate, the risk of tip-over.

Care and Maintenance

- Use a soft, clean cloth that will not scratch the surface when dusting.
- Use of furniture polish is not necessary. Should you choose to use polish, test first in an inconspicuous area.
- Using solvents of any kind on your furniture may damage your furniture's finish.
- Never use water to clean your furniture as it may cause damage to the finish.
- Always use coasters under beverage glasses and flowerpots.
- Liquid spills should be removed immediately. Using a soft, clean cloth, blot the spill gently. Avoid rubbing.
- Always use protective pads under hot dishes and plates. Heat can cause chemical changes that may create spotting within the furniture finish.
- In the event that your furniture is stained or otherwise damaged during use, we recommend that you call a professional to repair your furniture.
- Check bolts/screws periodically and tighten them if necessary.
- A touch-up pen has been provided to minimize small nicks or scratches that may occur during assembly or shipping.

WARNING

Please use your furniture correctly and safely. Improper use can cause safety hazards, or damage to your furniture or household items. Carefully read the following safety information.

This unit is not intended for use with CRT TVs. The top surface maximum weight capacity is 70 lbs. (31.8 kg) and maximum load 55 in. (139.7 cm) diagonal flat-panel TV. The shelf maximum recommended weight allowance is 50 lbs. (22.7 kg). Use with heavier televisions may result in instability causing tip over resulting in death or serious injury.

Death or serious injury may occur when children climb on audio and/or video equipment furniture. A remote control or toys placed on the furnishing may encourage a child to climb on the furnishing and as a result may tip over onto the child.

NEVER allow children to climb or play with the TV or furnishing supporting the TV.

NEVER place toys, food, remote, etc. on top of the TV or TV furnishing.

ALWAYS use either the safety hardware as instructed or other wall anchoring device.

Relocating audio and/or video equipment to furniture not specifically designed to support audio and/or video equipment may result in death or serious injury due to furniture collapse or over turning onto a child.

NEVER place a TV on furniture that is not intended to support a TV.

NEVER exceed the maximum size and weight of the TV shown in the instructions.

Be sure to refer to the TV warning label as shown in the instructions.

Overloading drawers and shelves may result in furniture that can break or sag, or tip-over which may result in injury.

NEVER exceed the weight limits shown in the instructions.

Place the heavier items on lower shelves as far back from the front as possible.

Load the bottom surfaces first to avoid top-heavy furniture.

Moving furniture that is not designed to be moved or equipped with casters may result in injury or damage to furnishings or personal property.

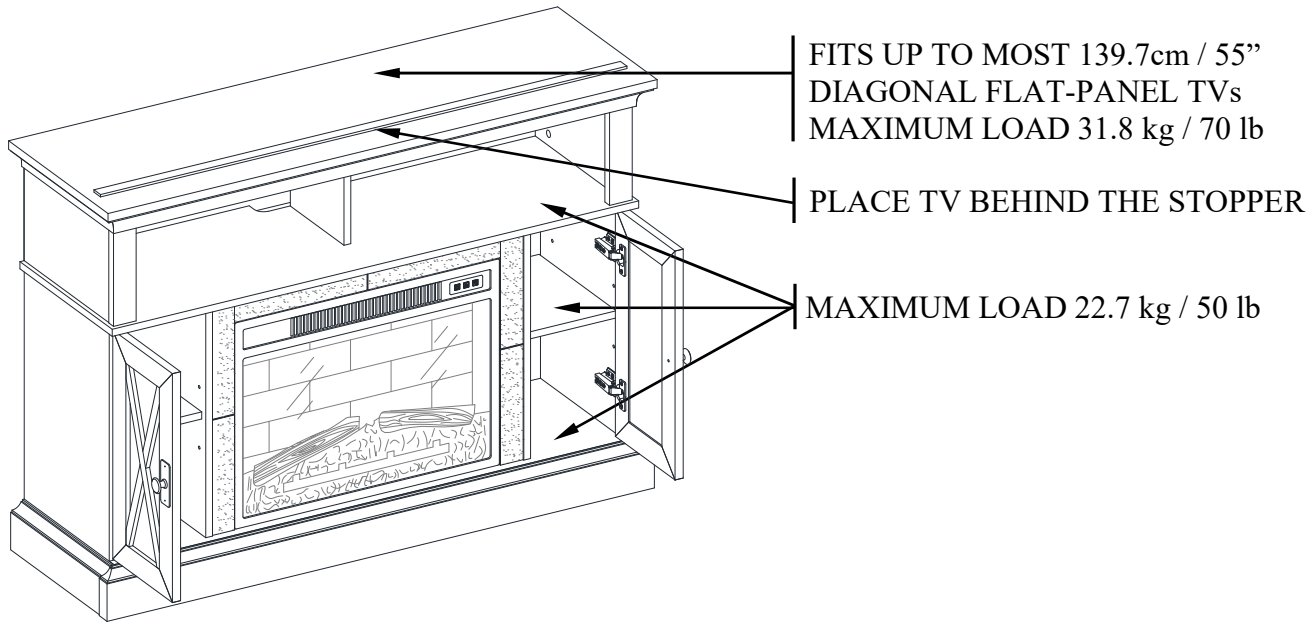
ALWAYS unload shelves and drawers, starting with the top surfaces, before moving.

NEVER push or pull furniture on carpet. Have a friend help lift properly to move and/or reposition it.

The unit is not meant as a seat and no one should be sitting or standing on the top panel.

MAXIMUM RECOMMENDED WEIGHT LOADS

MANUFACTURER: Whalen Furniture Manufacturing
CATALOG: Kellum Media Fireplace Console
MODEL # WMFP48EC-26BR / WMFP48EC-26GR



WARNING

THIS UNIT IS NOT INTENDED FOR USE WITH CRT TVS. USE ONLY WITH FLAT PANEL TVS AND AUDIO/VIDEO EQUIPMENT MEETING RECOMMENDED SIZE AND WEIGHT LIMITS. NEVER USE WITH LARGER/HEAVIER THAN RECOMMENDED FLAT PANEL TVS OR EQUIPMENT. TO AVOID INSTABILITY, PLACE FLAT PANEL TV IN THE CENTER OF THE UNIT; THE BASE OF THE TELEVISION MUST BE ABLE TO REST ON THE SUPPORTING SURFACE OF THE UNIT WITHOUT OVER-HANGING THE EDGES. IMPROPERLY POSITIONED FLAT PANEL TVS, OR FLAT PANEL TVS INCLUDING OTHER EQUIPMENT THAT EXCEED RECOMMENDED SIZE AND WEIGHT LIMITS COULD FALL OFF OR BREAK THE UNIT, CAUSING POSSIBLE SERIOUS INJURY. FOR USE WITH TELEVISIONS WEIGHING 70 LBS (31.8 KG) OR LESS. USE WITH HEAVIER TELEVISIONS MAY RESULT IN INSTABILITY CAUSING TIP OVER RESULTING IN DEATH OR SERIOUS INJURY

QUALITY GUARANTEE

We are confident that you will be delighted with your Whalen Furniture purchase.

Should this product be defective in workmanship or materials or fail under normal use, we will repair or replace it for up to one (1) year from date of purchase. Every Whalen Furniture product is designed to meet your highest expectations. We guarantee that you will immediately see the value of our fine furniture.

This warranty gives you specific legal rights and you may also have other rights which vary from State to State.

Whalen Furniture Manufacturing
1578 Air Wing Road, San Diego, CA 92154, USA
Customer Service: 866-942-5362
8:30 a.m. - 4:30 p.m., PST, Monday to Friday
www.whalenstyle.com



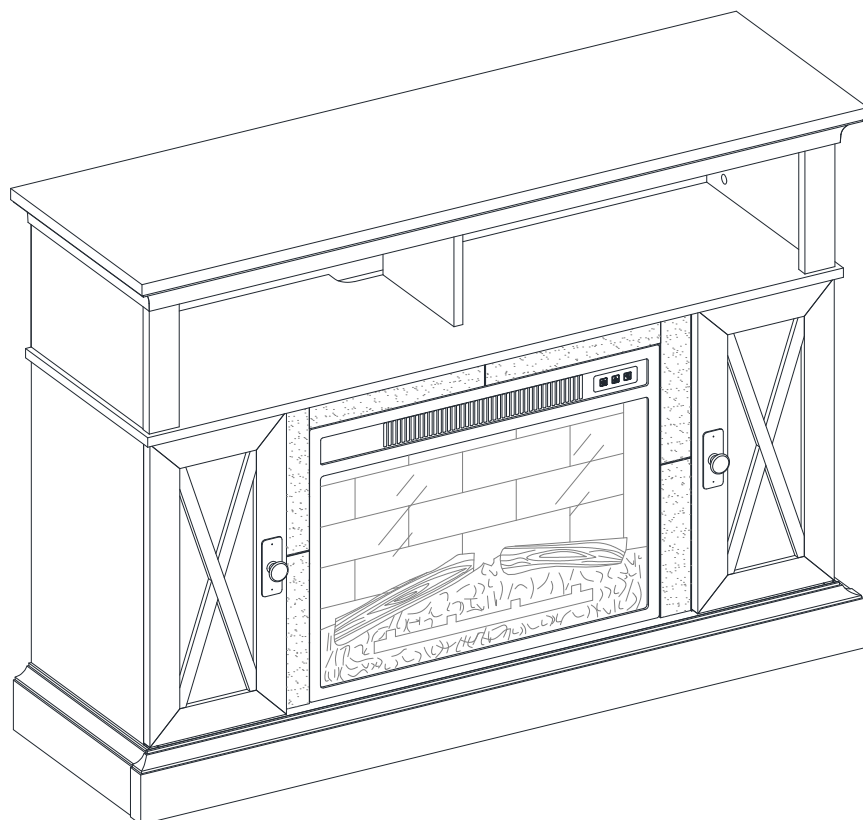
LOTE NÚMERO: _____

FECHA DE COMPRA: ___/___/___

Consola para medios con chimenea Kellum

Serie # WMFP48EC-26GR

WMFP48EC-26BR



ENSAMBLE REQUERIDO POR ADULTO

Si tienen alguna pregunta acerca del ensamble o si alguna parte está faltante, no retorne este producto a la tienda. Por favor llame a nuestro departamento de ayuda al cliente teniendo su instructivo y lista de partes para proveer el modelo, nombre de parte o el número de fábrica:

866-942-5362

Hora Estandar del Pacífico: 8:30 am - 4:30 pm de Lunes a Viernes

O visite nuestra página de Internet 24 horas al día, 7 días de la semana para ayuda en su producto en:

www.whalenstyle.com

O mande un correo electrónico a **parts@whalenfurniture.com**

**ESTE LIBRO DE INSTRUCCIONES CONTIENE INFORMACION IMPORTANTE DE SEGURIDAD.
POR FAVOR LEA Y MANTENGA PARA FUTURAS REFERENCIAS.**

Fecha 2022-04-24

Rev. 0001-A

INFORMACIÓN GENERAL, RECOMENDACIONES Y TRUCOS

1. Por favor lea el instructivo antes de comenzar el ensamble.
2. Retirar todo el material de ferretería de la caja y ordenar por tamaño.
3. Asegurar de que todo el material de ferretería y partes estén presentes ANTES del ensamble.
4. Pedir asistencia de un amigo para ensamblar la unidad.
5. Para evitar daños, ensamblar el producto en una superficie fuerte, nivelada y protegida.
6. Esperar hasta que todos los pasos estén completados antes de apretar los pernos.
7. Asegurar de que los pernos y tuercas estén apretados antes de usar la unidad.

Esté producto viene con dos juegos de restricción de movimiento. Debe instalar el juego de restricción de movimiento entre la unidad y la pared para prevenir cualquier accidente o daño. Al ser instalados correctamente, el tope protege contra la inclinación de la unida debido a temblores pequeños, golpes o escalamiento. El tope de movimiento es solo un impedimento, no hay substituto para la supervisión adulta. El uso de topes de movimiento puede reducir, pero no eliminar, el riesgo de caída.

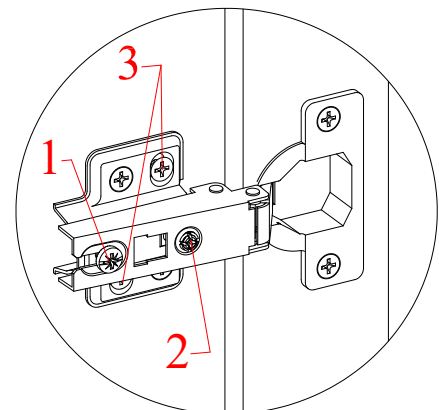
NOTA ESPECIAL

Por favor lea todo el instructivo antes de ensamblar. Examinar todo el material de empaque antes de tirar el cartón. Retirar cualquier grapa del cartón antes de tirar. Retirar todas las partes del cartón y separar en grupos como es indicado en la lista de partes. Por favor de asegurar que todas las partes están presentes antes del ensamble. El uso de herramientas eléctricas para completar el ensamble no es recomendado.

Cómo ajustar las bisagras ajustables en las puertas

El envío puede causar que las puertas se desalineen. Si usted encuentra que las puertas deben ajustarse ligeramente, girar el tornillo adecuado, como se ilustra.

1. PARA AJUSTAR HACIA EL FRENTE O HACIA ATRAS.
2. PARA AJUSTAR HACIA LA DERECHA O IZQUIERDA.
3. PARA AJUSTAR PARA ARRIBA O ABAJO.

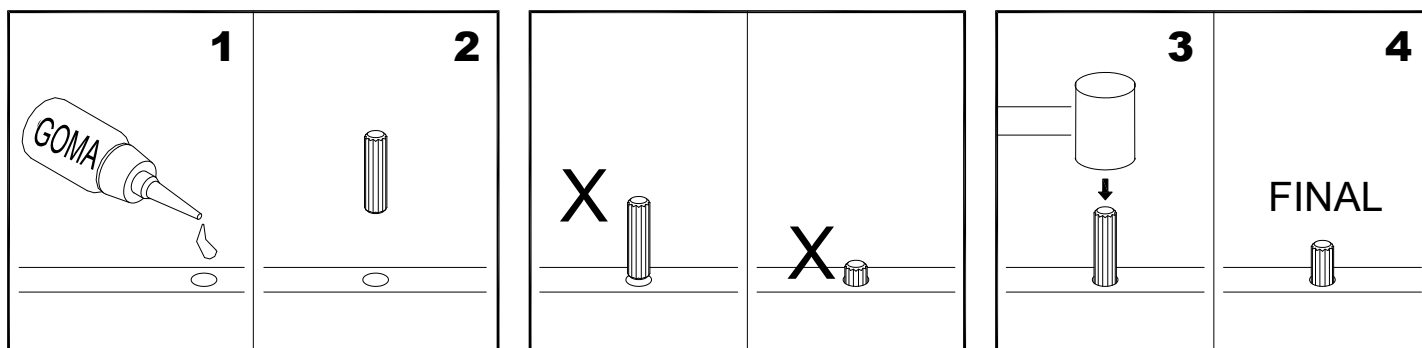


Importante

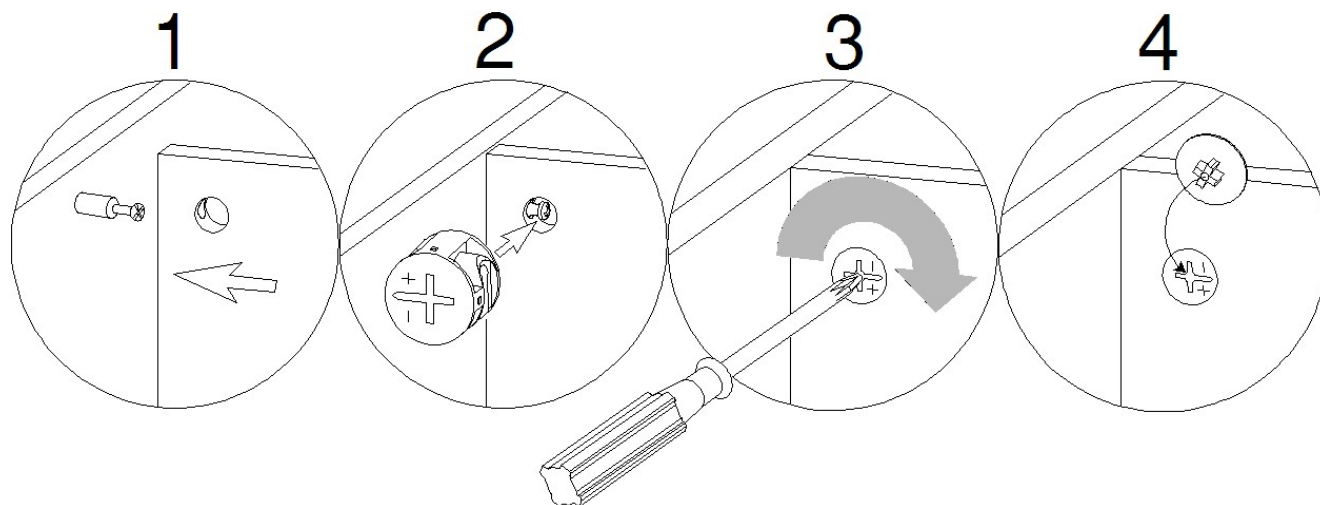
Antes de comenzar: Abra, identifique y cuente todas las partes antes del ensamble. Coloque las piezas sobre una superficie plana y no abrasiva. Tendrá que las partes identificadas en la página 4 y 5 de este manual de instrucciones.

NOTA: ES MUY IMPORTANTE PARA EL USO DE GOMA CON LOS PERNOS DE MADERA. EL EXCESO DE PEGAMENTO SE PUEDE LIMPIAR CON UN PAÑO HÚMEDO.

Inserte el perno por lo menos a la mitad del camino golpeando ligeramente con un mazo de goma SI ES NECESARIO.



SISTEMA DE OPERACIÓN DE TUERCA DE FIJACIÓN



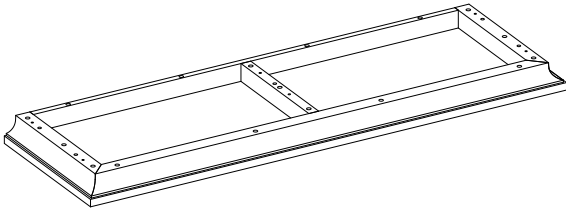
CÓMO FUNCIONA LA INSTALACIÓN DE MONTAJE (KD)

1. Fijar los tornillos de fijación en los orificios pequeños. Conectar ambos paneles, cerciorandose que los tornillos de fijación entren bien y que estos queden en los orificios al final del panel con tuercas de fijación.
2. Inserte las tuercas de fijación en los orificios grandes del panel. Hacer que la flecha en la tuerca este apuntando hacia la entrada del tornillo de fijación.
3. Una vez que el tornillo este conectado dentro, tome un destornillador de cruz y apriete la tuerca en dirección de las manecillas del reloj.
4. Coloque la tapa de la tuerca de fijación sobre la misma en la ranura de cruz, ver detalle.

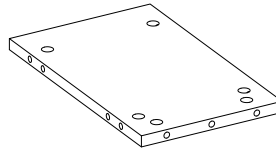
Está listo para el ensamble KD de esta unidad.

Partes y lista de material de ferretería

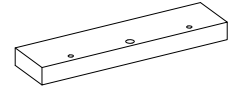
Por favor, lea completamente las instrucciones y verifique que todas las partes y material de ferretería enumerados están presentes antes de comenzar el ensamble.



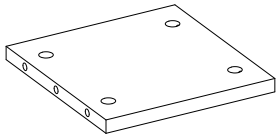
A- Panel superior (Cant. 1)



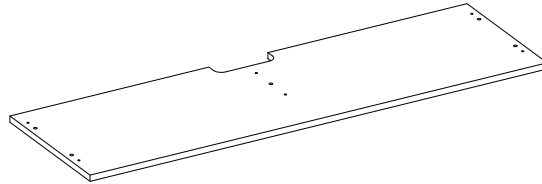
B- Panel sup. lateral (Cant. 2)



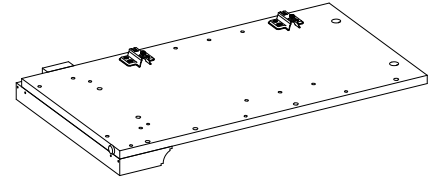
C- Panel frontal sup. (Cant. 2)



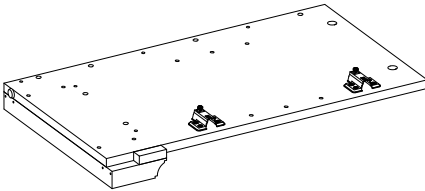
D- Panel div. sup. (Cant. 1)



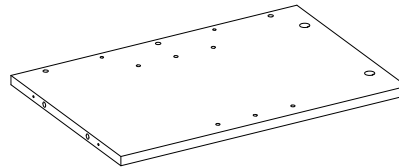
E- Repisa central (Cant. 1)



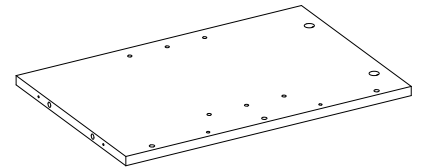
F- Panel inferior izquierdo (Cant. 1)



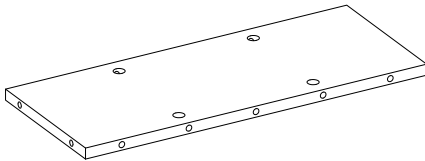
G- Panel inferior derecho
(Cant. 1)



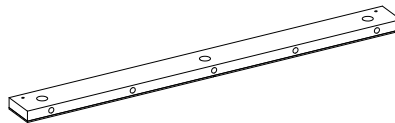
H- Panel divisor inferior izquierdo
(Cant. 1)



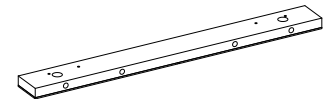
I- Panel divisor inferior derecho
(Cant. 1)



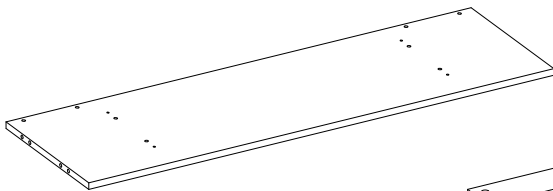
J- Panel inferior posterior (Cant. 2)



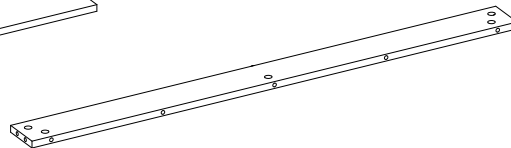
K- Soporte central (Cant. 1)



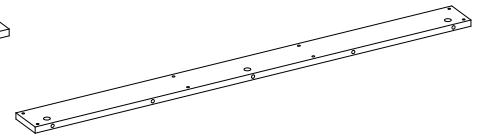
L- Moldura media (Cant. 2)



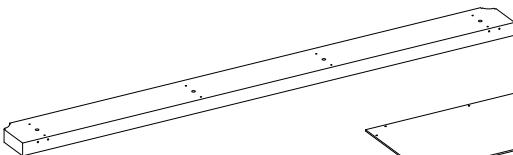
M- Panel inferior (Cant. 1)



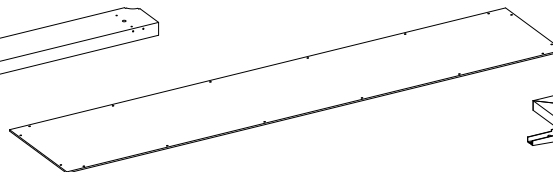
N- Soporte inferior (Cant. 1)



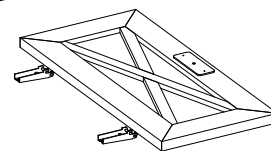
O- Soporte frontal inferior (Cant. 1)



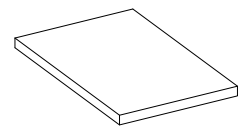
P- Moldura inferior frontal
(Cant. 1)



Q- Panel posterior sup.
(Cant. 1)



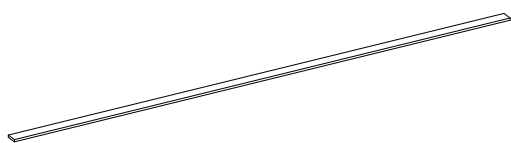
R- Puerta
(Cant. 2)



S- Repisa ajustable
(Cant. 2)

Partes y lista de material de ferretería

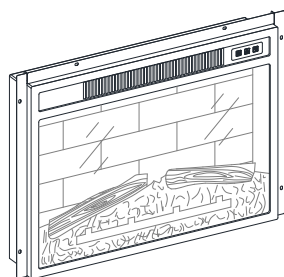
Por favor, lea completamente las instrucciones y verifique que todas las partes y material de ferretería enumerados están presentes antes de comenzar el ensamble.



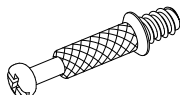
T- Riel tope (Cant. 1)



(1) Tuerca de fijación
(Cant. 51+2 extra)



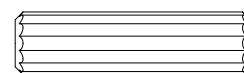
Inserto de chimenea (Cant. 1)



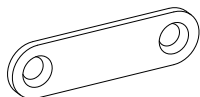
(2) Tornillo de fijación
(Cant. 51+2 extra)



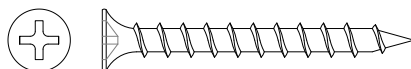
Control remoto con batería (Cant. 1)



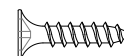
(3) Perno M8 x 30 mm de madera
(Cant. 64+2 extra)



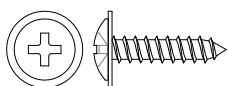
(4) Soporte de metal
(Cant. 2)



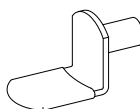
(5) Tornillo M4 x 38 mm
(Cant. 12+1 extra)



(6) Tornillo M3 x 15 mm plano
(Cant. 12+1 extra)



(7) Tornillo M3.5 x 15 mm cabeza especial
(Cant. 16+1 extra)



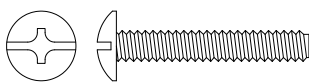
(8) Soporte repisa
(Cant. 8+1 extra)



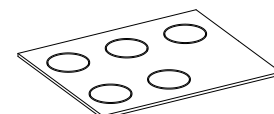
(9) Cubierta de tuerca
(Cant. 24+1 extra)



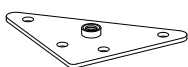
(10) Botón (Cant. 2)



(11) Tornillo de 25 mm (Cant. 2)



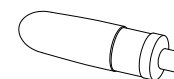
(12) Tope plástico (Cant. 4+1 extra)



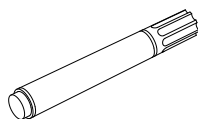
(13) Soporte triangular (Cant. 2)



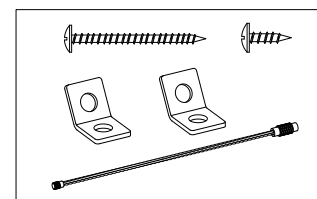
(14) Nivelador de piso (Cant. 2)



Goma (Cant. 1)



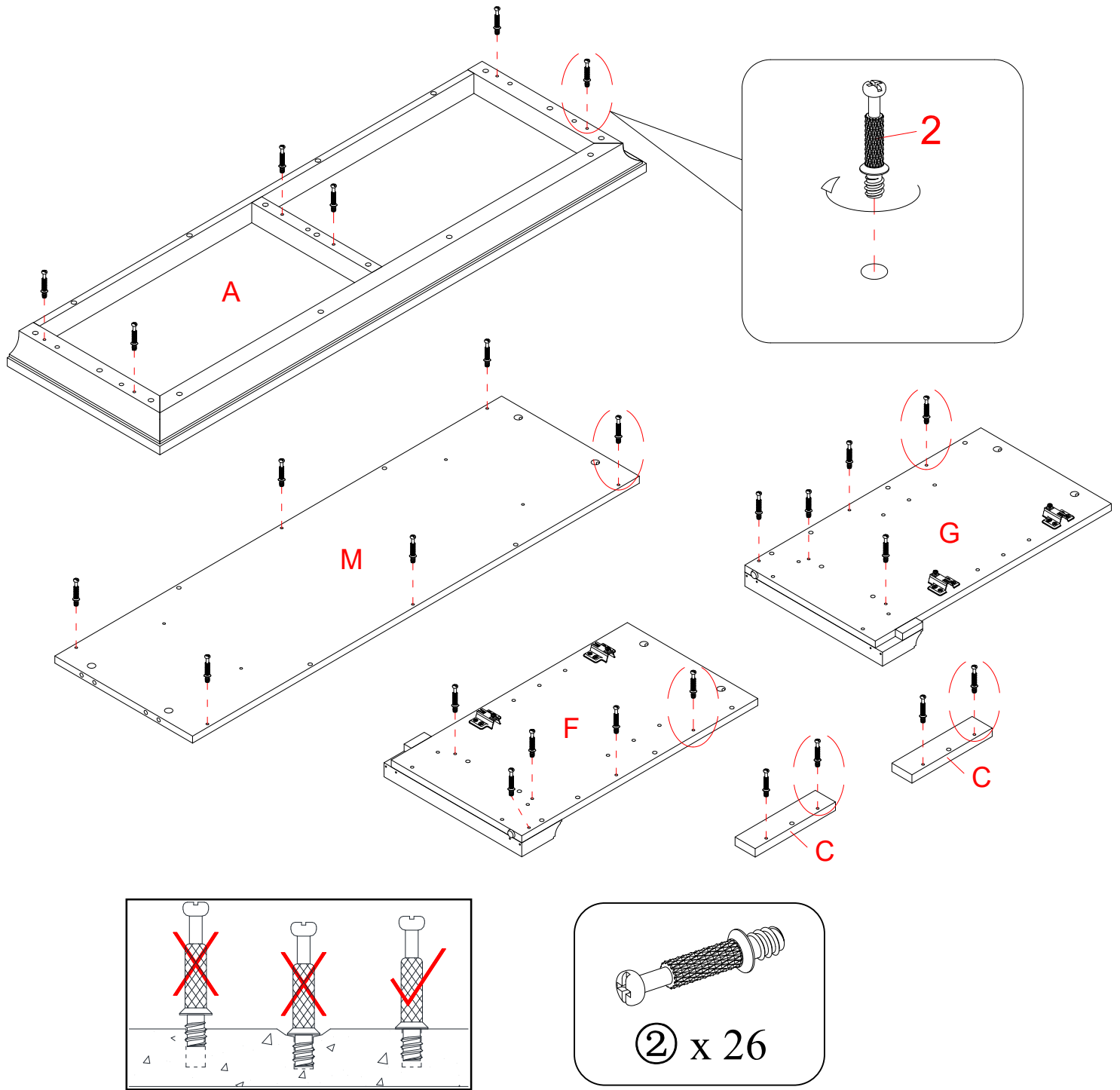
Plumón de retoque (Cant. 1)



Juego de restricción de movimiento (2)
(Incluido en bolsa de plástico)

Herramienta requerida: Desarmador estrella y mazo de goma (no proveído)

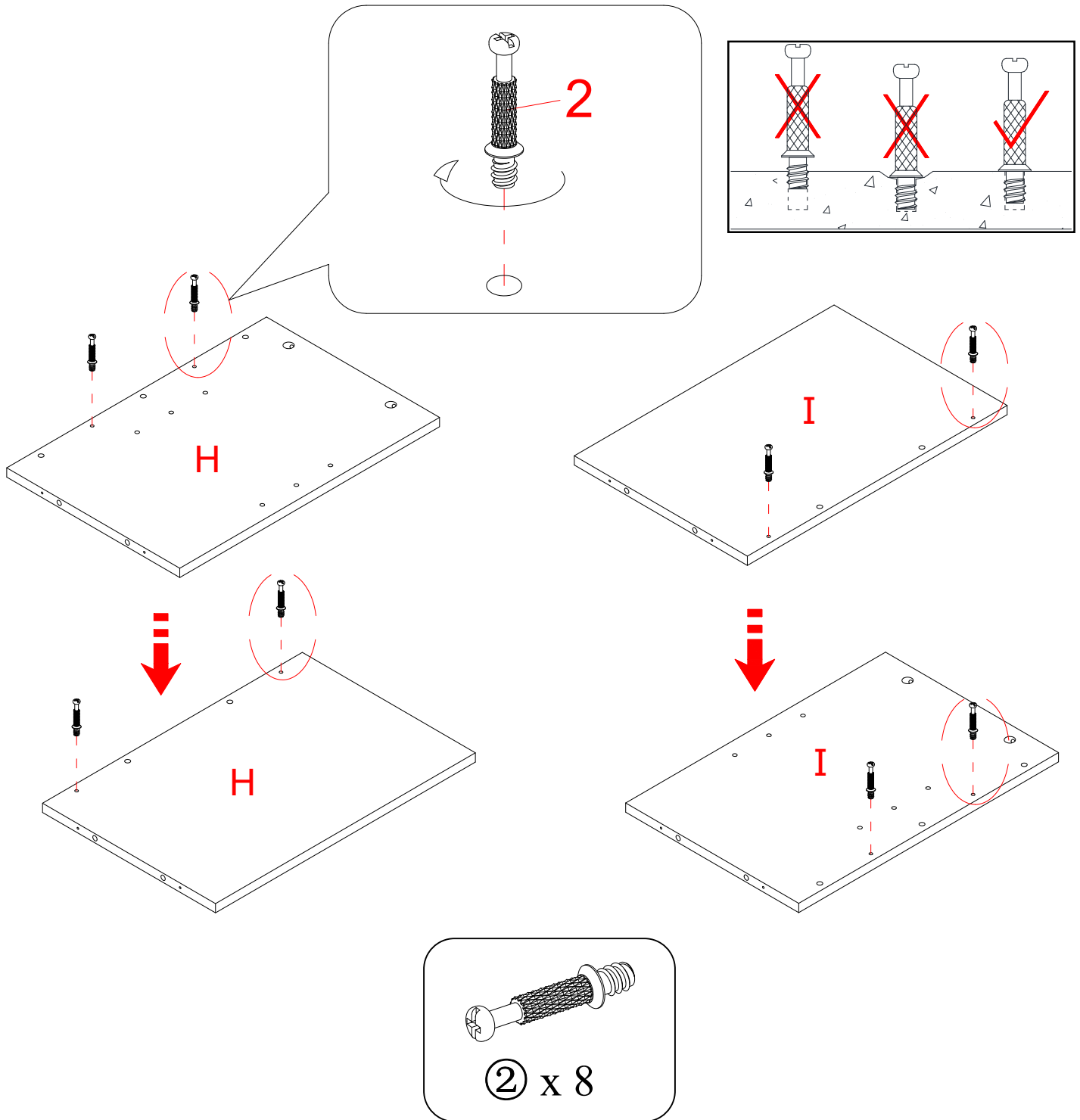
Instrucciones de ensamble



NOTA: Por favor no apriete completamente todos los tornillos, hasta que termine con el ensamble de las partes, después asegure completamente todos los tornillos, ésto lo hará más fácil durante el ensamble.

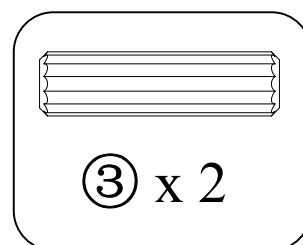
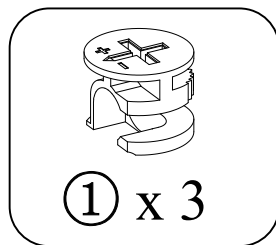
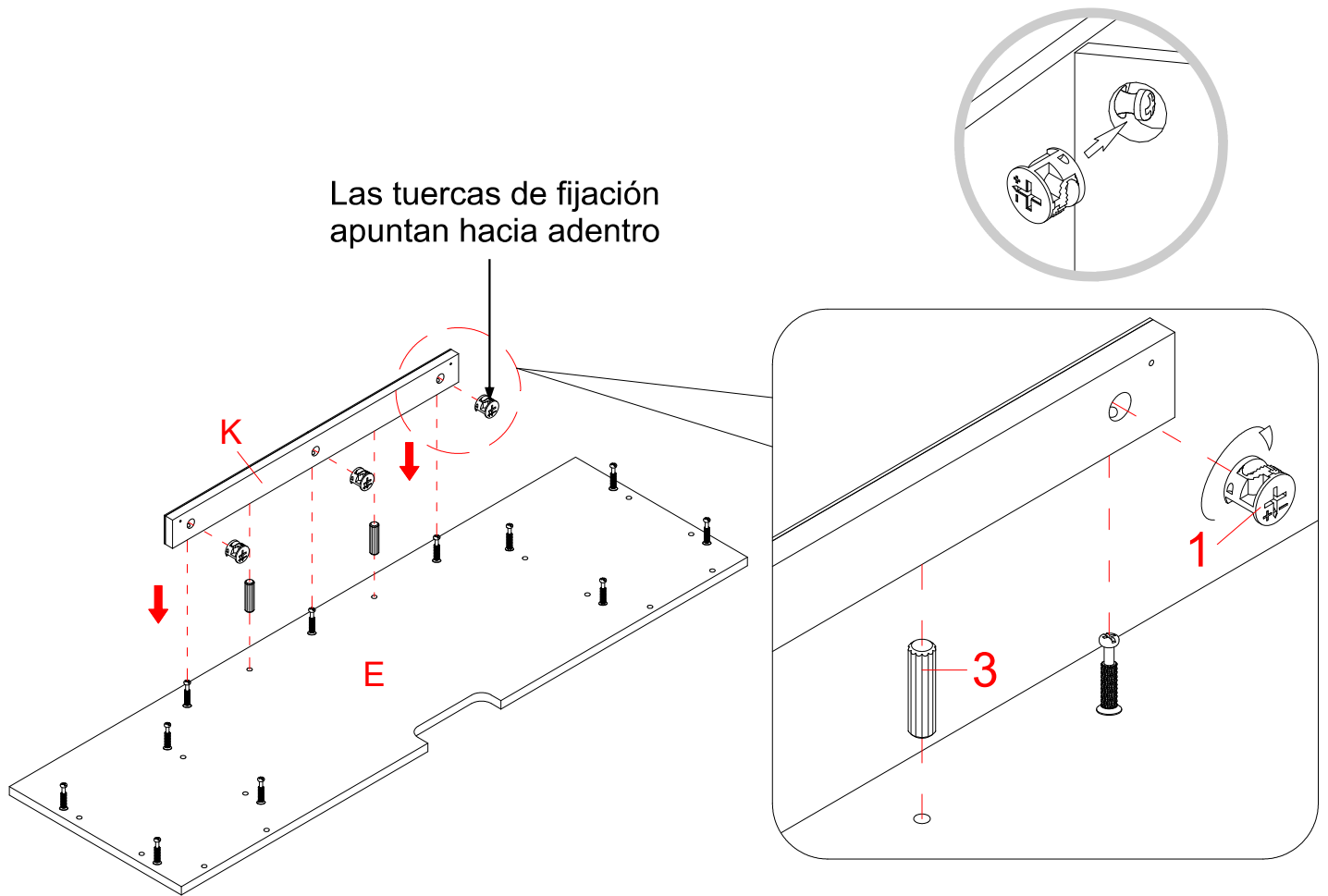
1. Desempaque la unidad y confirmar que usted tiene todo el material de ferretería y piezas necesarias. Ensamble la unidad en un lugar o de la caja de cartón vacía para evitar cualquier rasguño.
2. Fijar los tornillos de fijación (2) en los pequeños orificios designados en el panel superior (A), panel inferior (M), paneles laterales inferiores (F y G) y paneles frontales superiores (C) con un destornillador estrella.

Instrucciones de ensamble



4. Adjuntar de los tornillos de fijación (2) en los orificios pequeños designados en los paneles divisores inferiores (H e I).

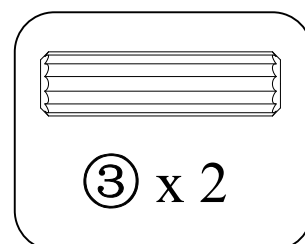
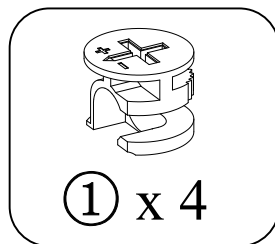
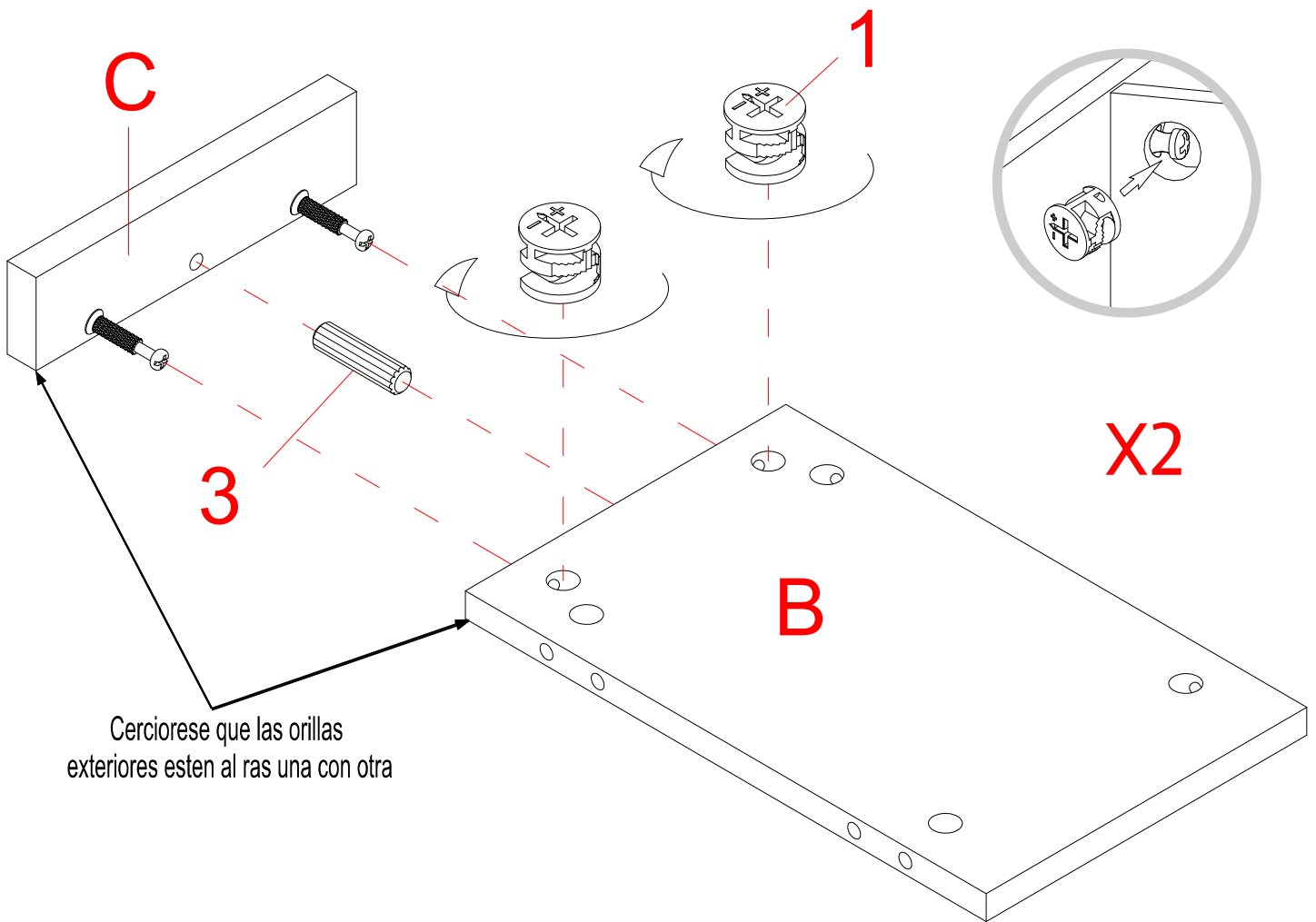
Instrucciones de ensamble



5. Coloque el soporte central (K) para la repisa central (E) mediante el uso de dos pernos de madera (3) y tres tuercas de fijación (1) (Consulte la página 3 del funcionamiento del sistema de tuercas de fijación).

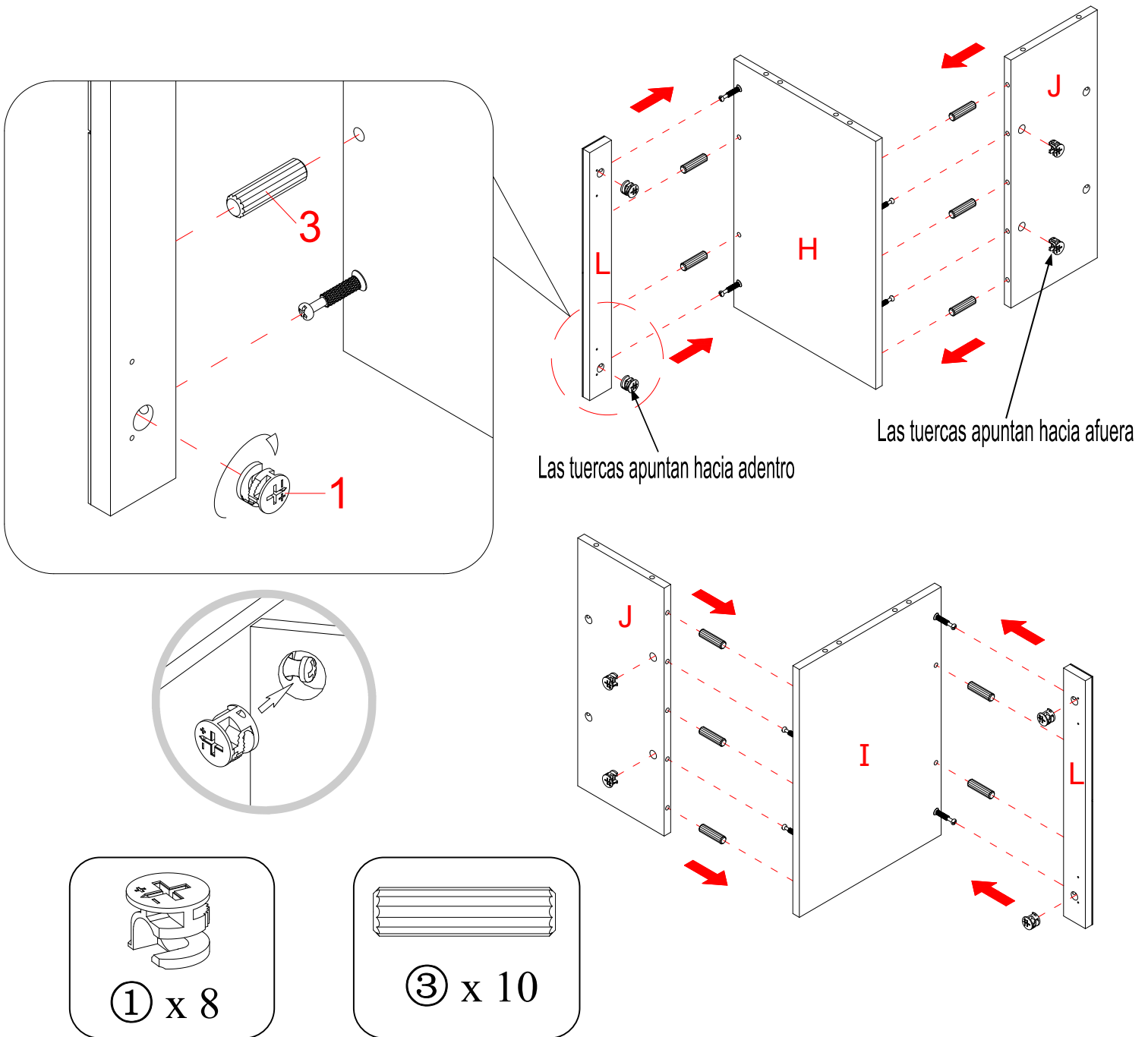
NOTA: Asegúrese de que utiliza una pequeña cantidad de pegamento en ambos extremos de todos los pernos.

Instrucciones de ensamble



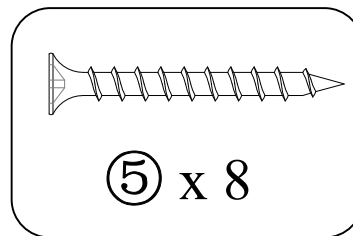
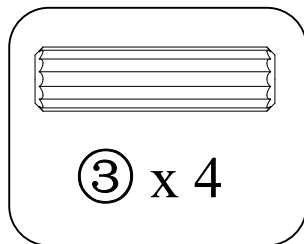
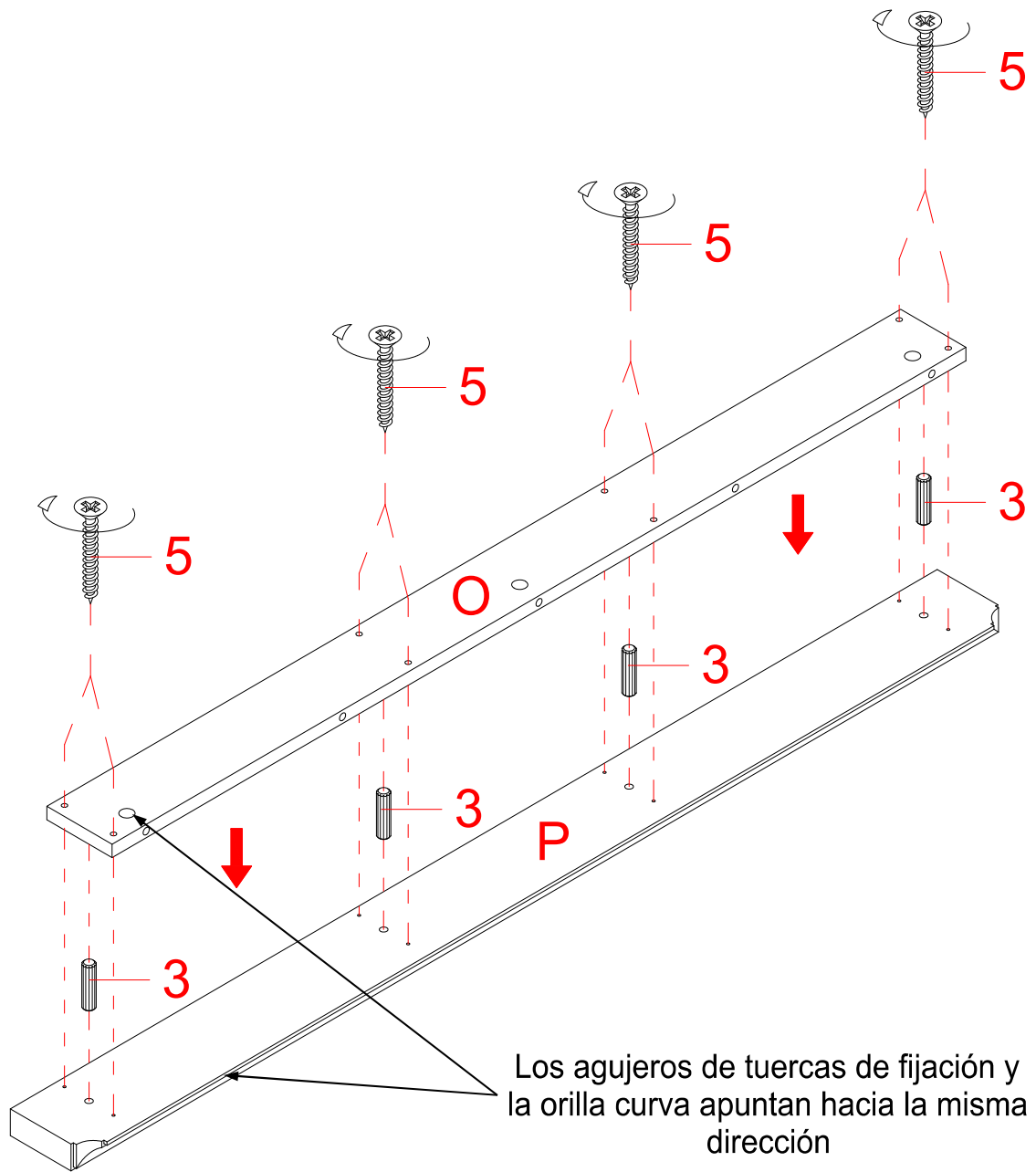
6. Una un panel frontal (C) a un panel lateral superior (B) con un perno de madera (3) y dos tuercas de fijación (1).
7. Repita el paso anterior para combinar el otro panel frontal (C) con el otro panel lateral superior (B) juntos.

Instrucciones de ensamble



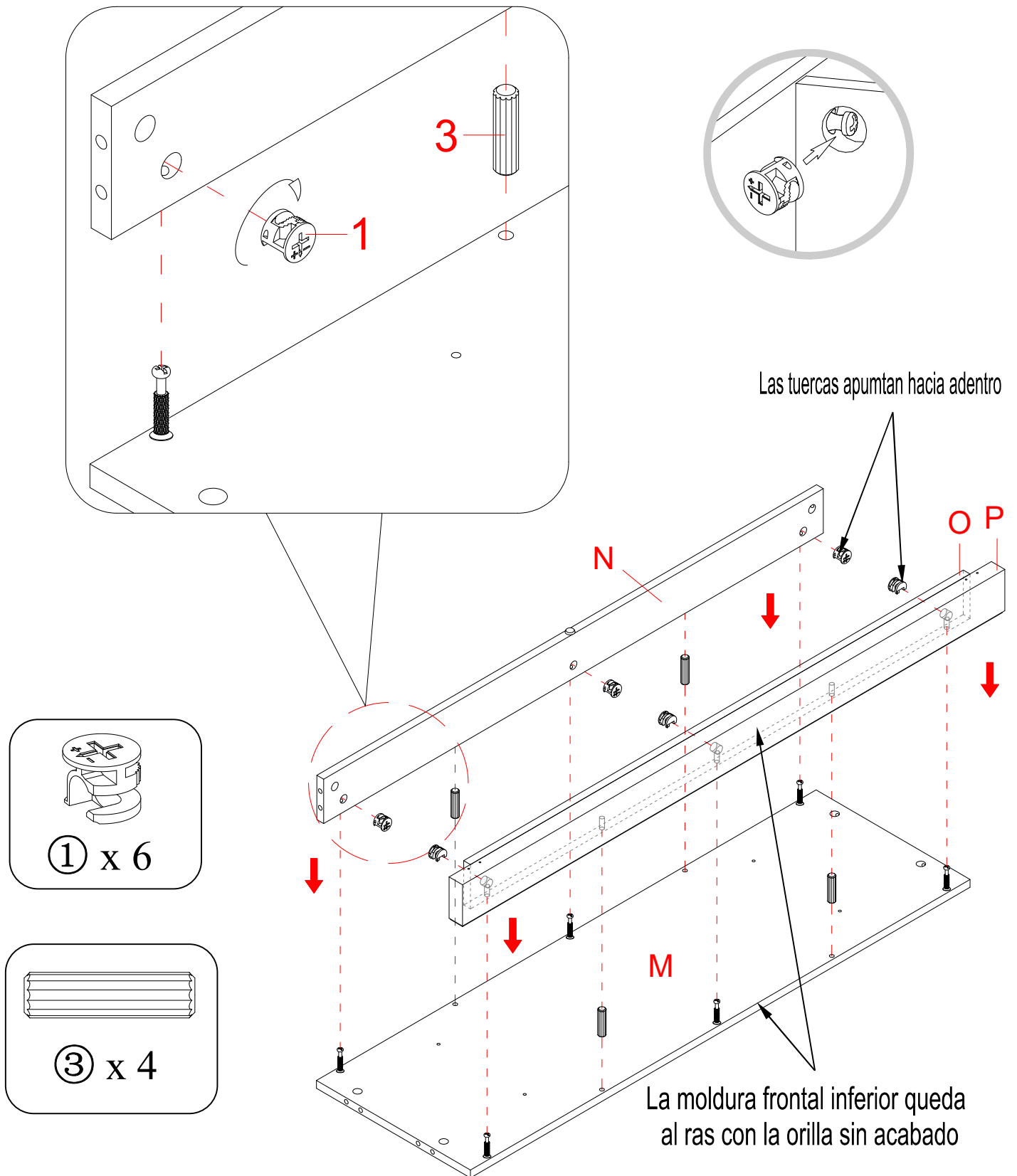
8. Unir una moldura media (L) al panel divisor inferior izquierdo (H) con dos pernos de madera (3) y dos tuercas de fijación (1).
9. Fijar un panel posterior inferior (J) para el panel divisor inferior izquierdo (H) con tres pernos de madera (3) y dos tuercas de fijación (1).
10. Repita el mismo procedimiento para fijar en la otra moldura media (L) y panel posterior inferior (J) al panel divisor derecho (I).

Instrucciones de ensamble



11. Coloque el soporte frontal inferior (O) a la moldura inferior frontal (P) con cuatro pernos de madera (3) y ocho tornillos de 38 mm (5).

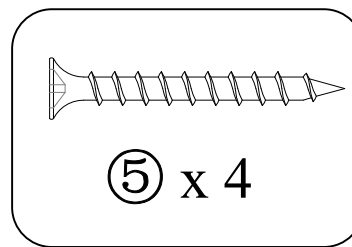
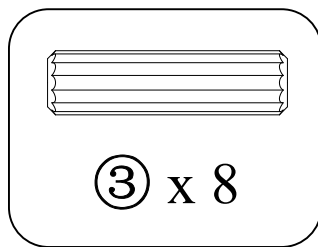
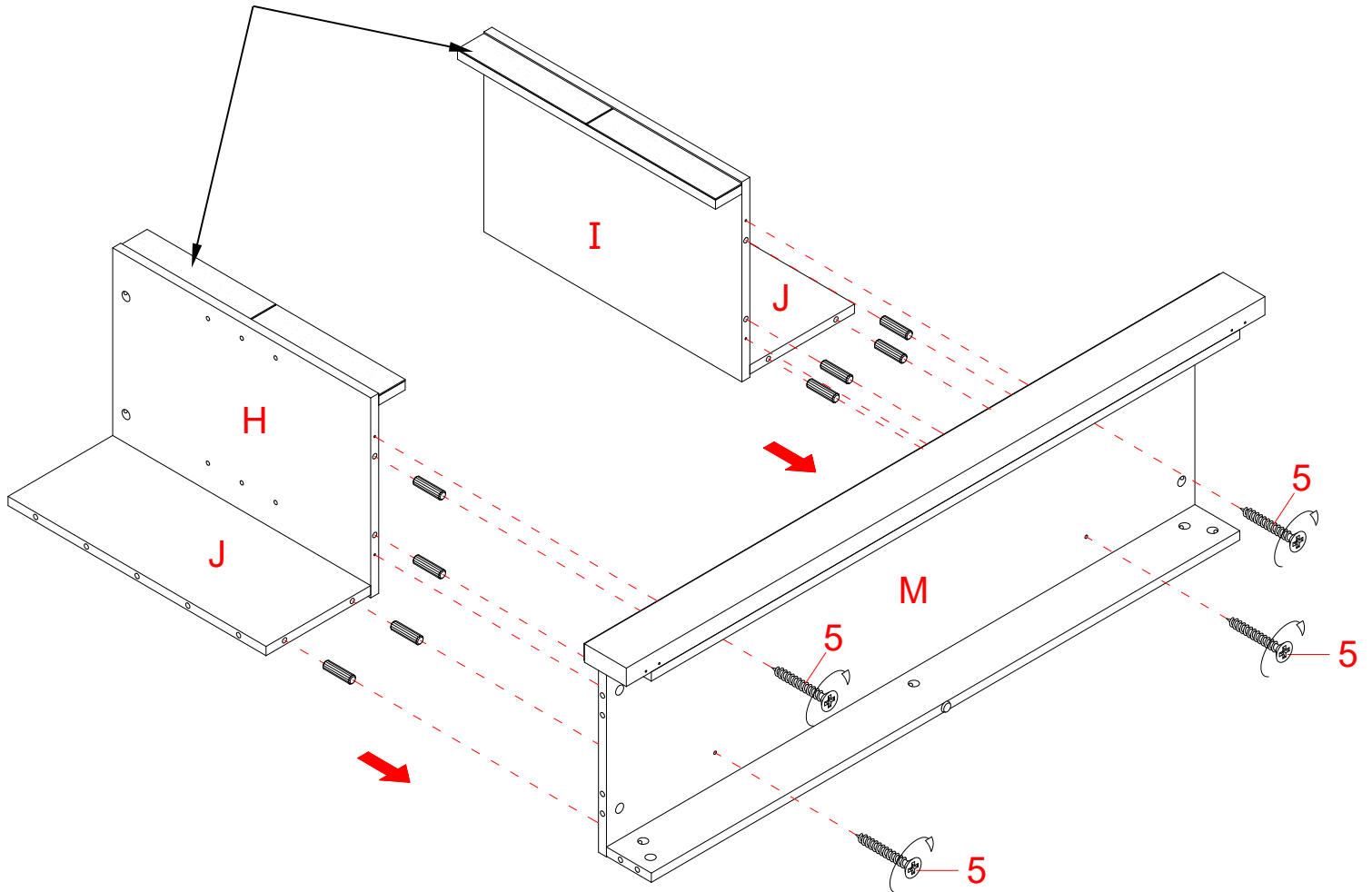
Instrucciones de ensamble



12. Coloque los soportes inferiores (N y O) al panel inferior (M) con cuatro pernos de madera (3) y seis tuercas de fijación (1).

Instrucciones de ensamble

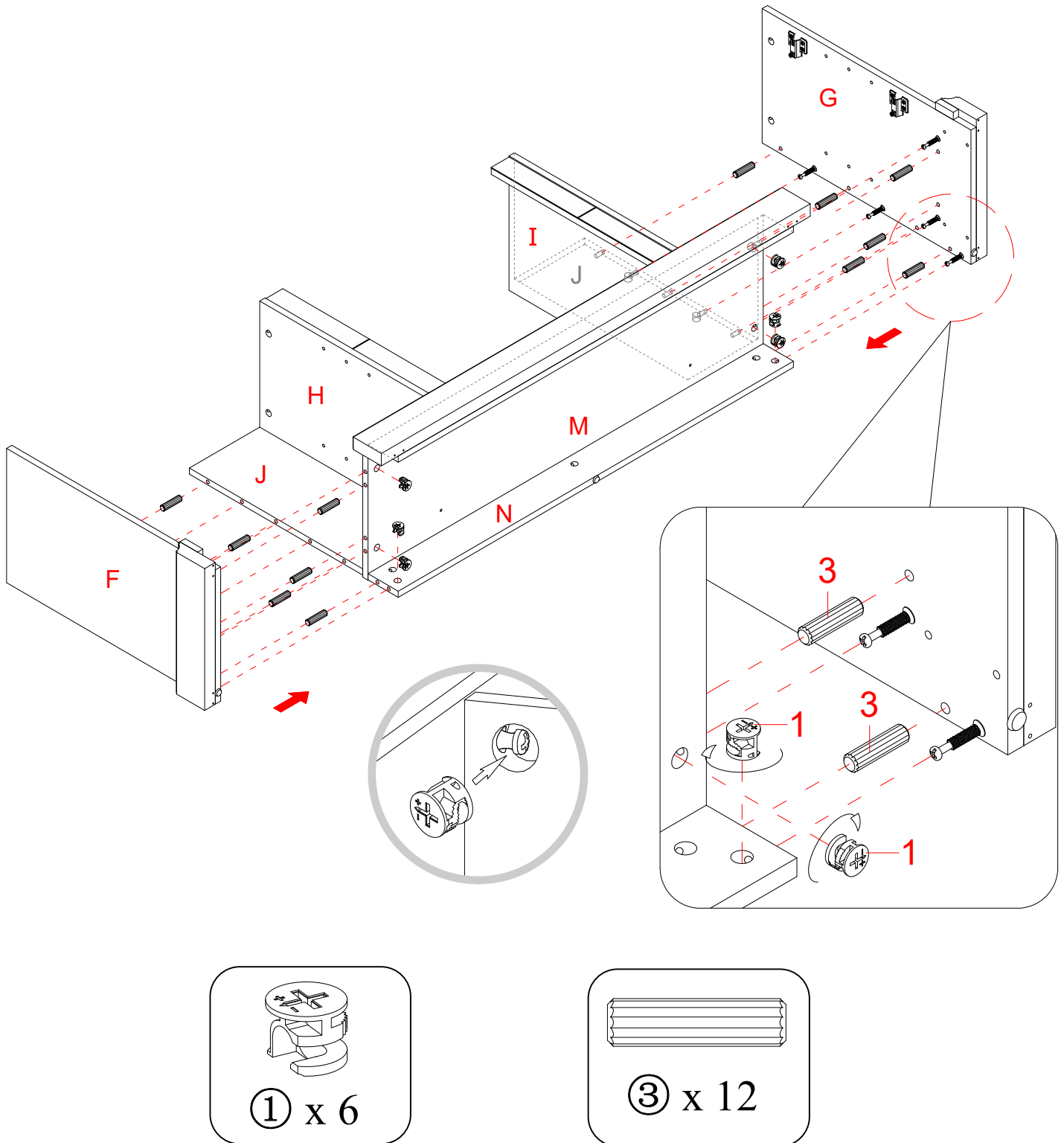
Las molduras medias apuntan hacia adentro



13. Coloque el conjunto del panel divisor inferior izquierdo al panel inferior (M) con cuatro pernos de madera (3) y dos tornillos de 38 mm (5).

14. Repita el mismo procedimiento para fijar el conjunto de panel de divisor inferior derecho en el extremo opuesto.

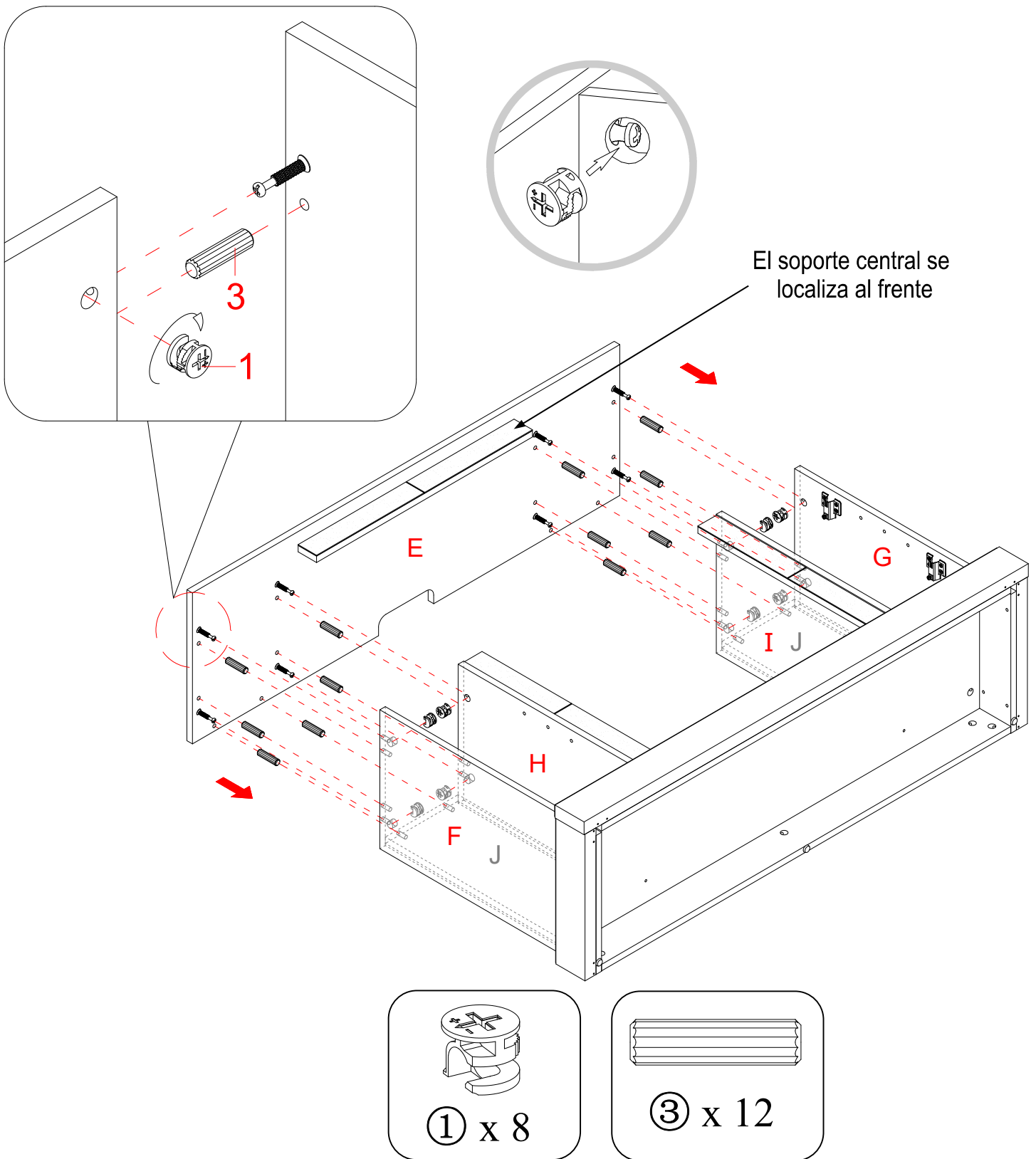
Instrucciones de ensamble



15. Coloque el panel inferior lateral izquierdo (F) para los paneles (J, M y N) mediante el uso de seis pernos de madera (3) y tres tuercas de fijación (1).

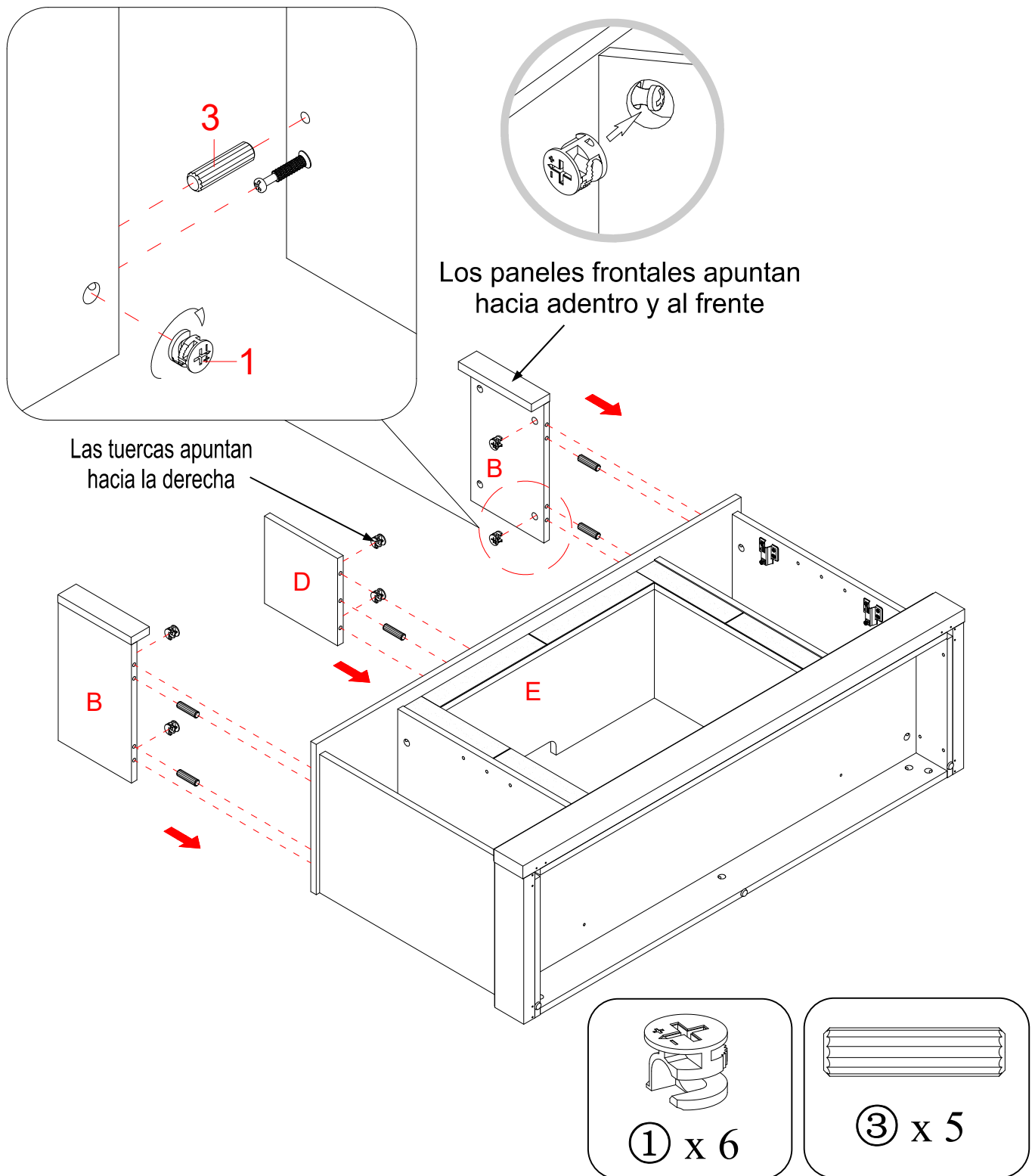
16. Repita el mismo procedimiento para fijar el panel lateral inferior derecho (G) en el extremo opuesto.

Instrucciones de ensamble



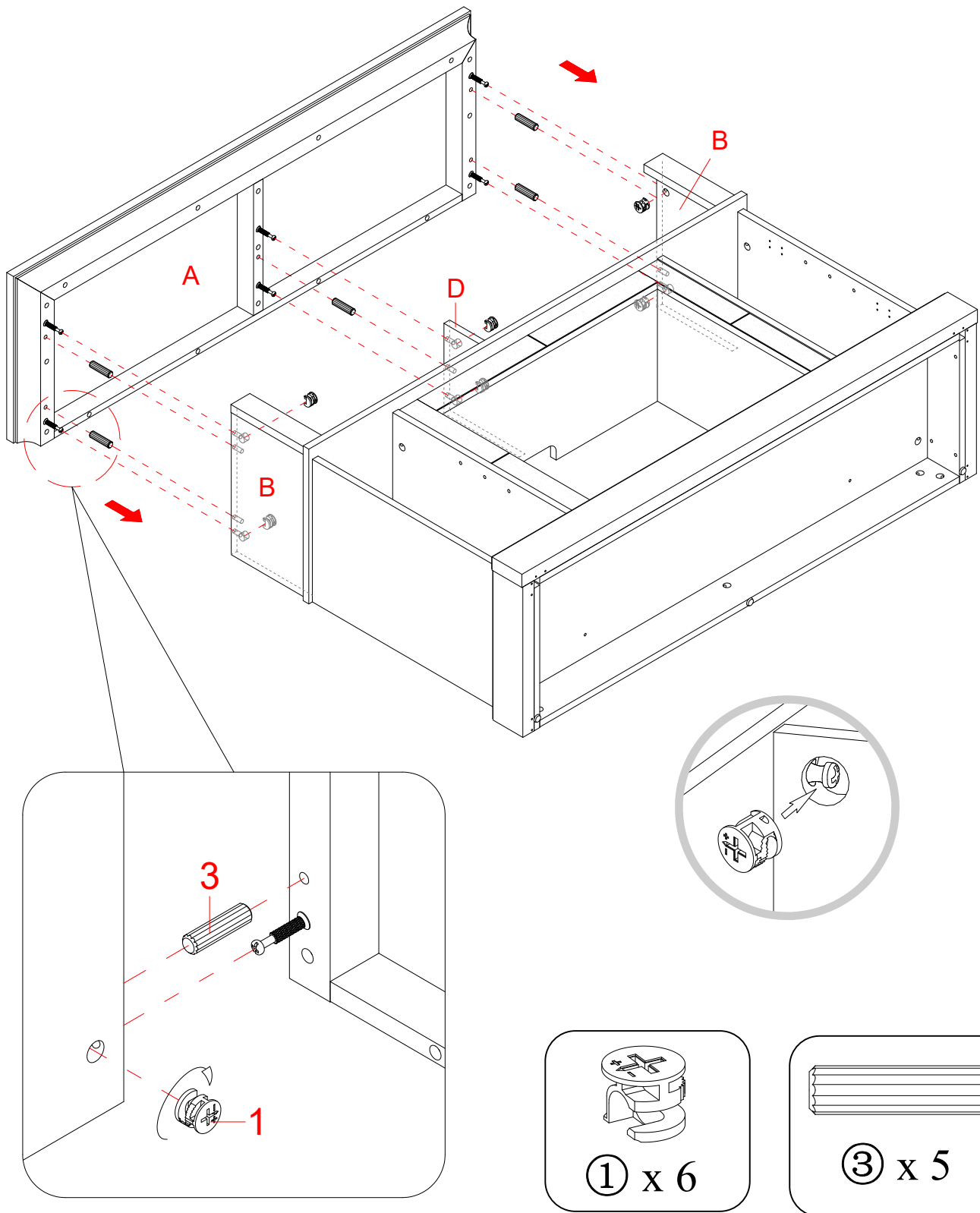
17. Coloque el conjunto de la repisa central a los paneles (F, G, H e I) mediante la participación de doce pernos de madera (3) y ocho tuercas de fijación (1).

Instrucciones de ensamble



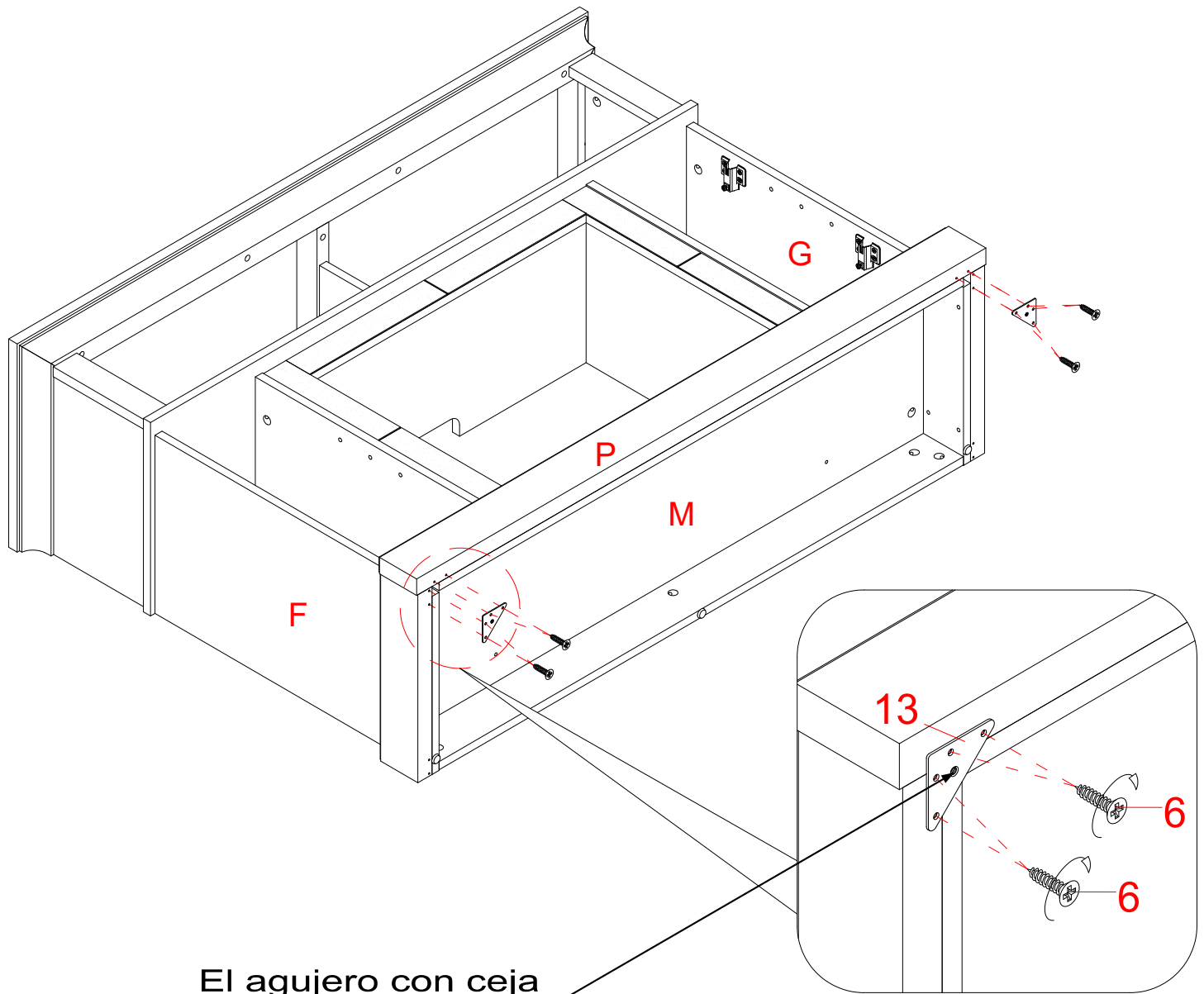
18. Una los conjuntos de panel lateral superior a la repisa central (E) con cuatro pernos de madera (3) y cuatro tuercas de fijación (1).
19. Fijar el panel de división superior (D) a la repisa central (E) mediante el uso de un perno de madera (3) y dos tuercas de fijación (1).

Instrucciones de ensamble

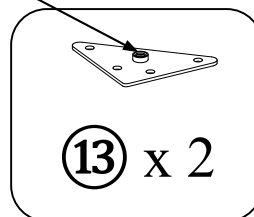
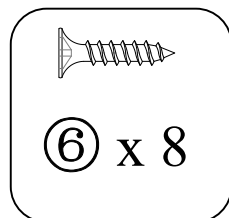


20. Coloque el panel superior (A) para los paneles (B y D) mediante la participación de cinco pernos de madera (3) y seis tuercas de fijación (1).

Instrucciones de ensamble

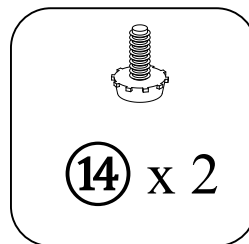
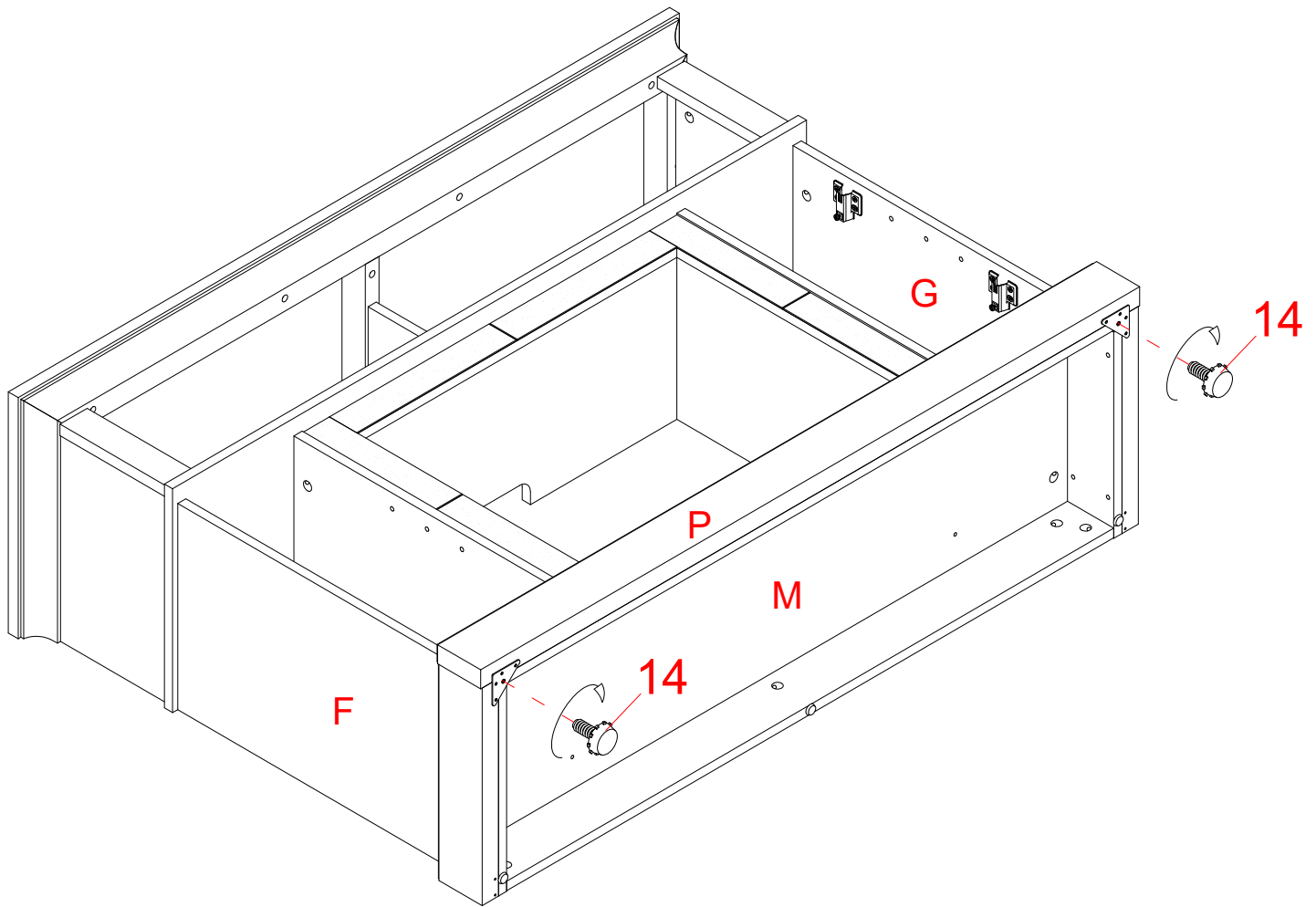


El agujero con ceja
apunta hacia adentro



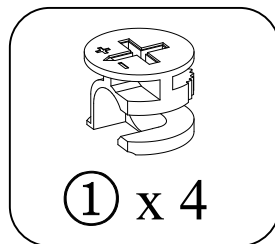
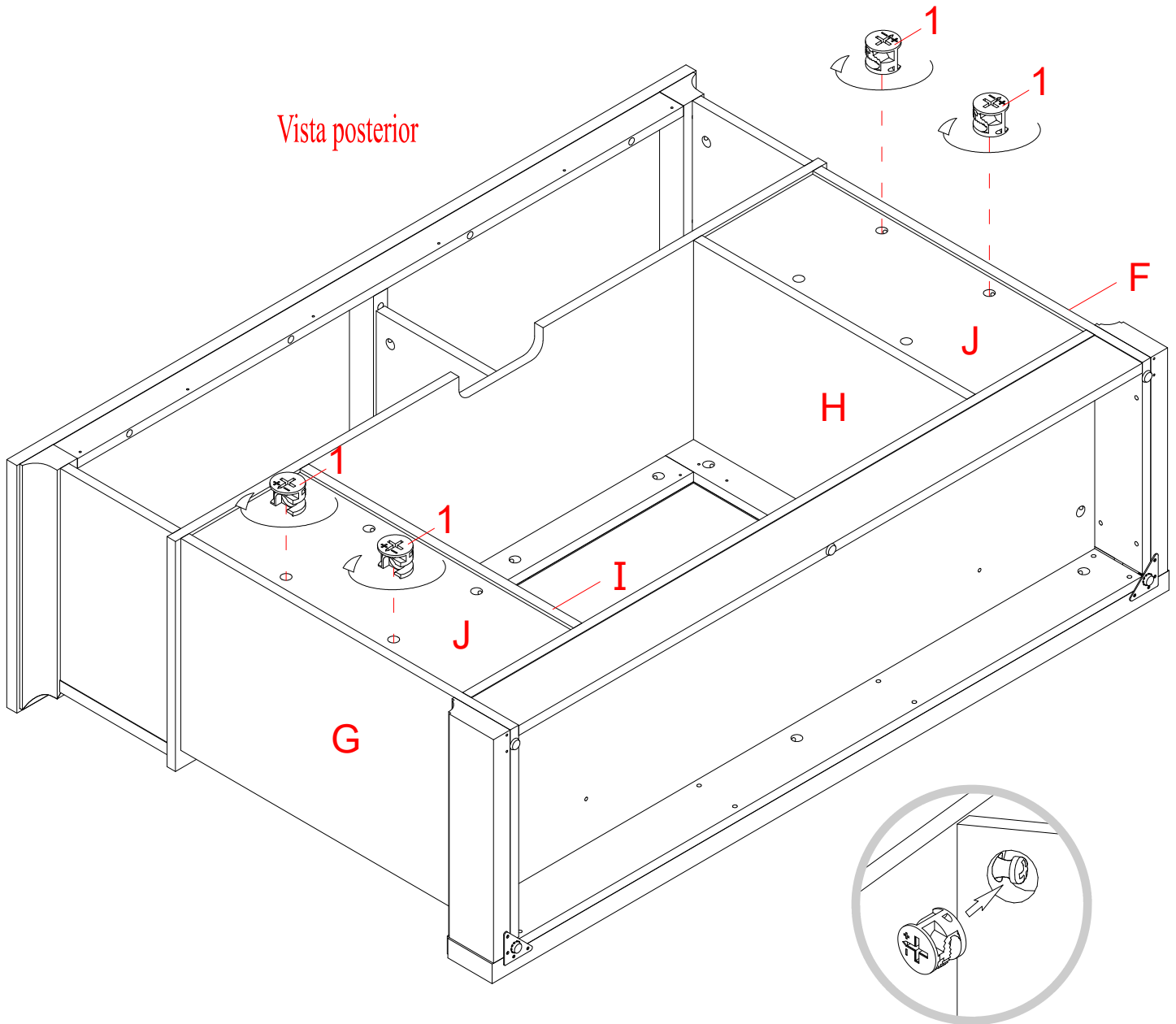
21. Usar los orificios piloto como una guía e inserte dos soportes triángulo (13) en las articulaciones inferiores entre el moldura inferior frontal (P) y paneles laterales inferiores (F y G) por medio de cuatro tornillos de 15 mm (6) por plato.

Instrucciones de ensamble



22. Fijar los dos niveladores de piso (14) en los soportes de metal triángulares (13) y fijar los a la altura correcta.

Instrucciones de ensamble

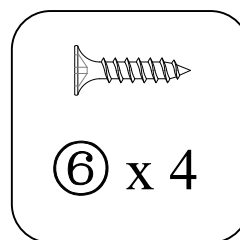
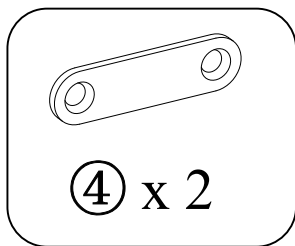
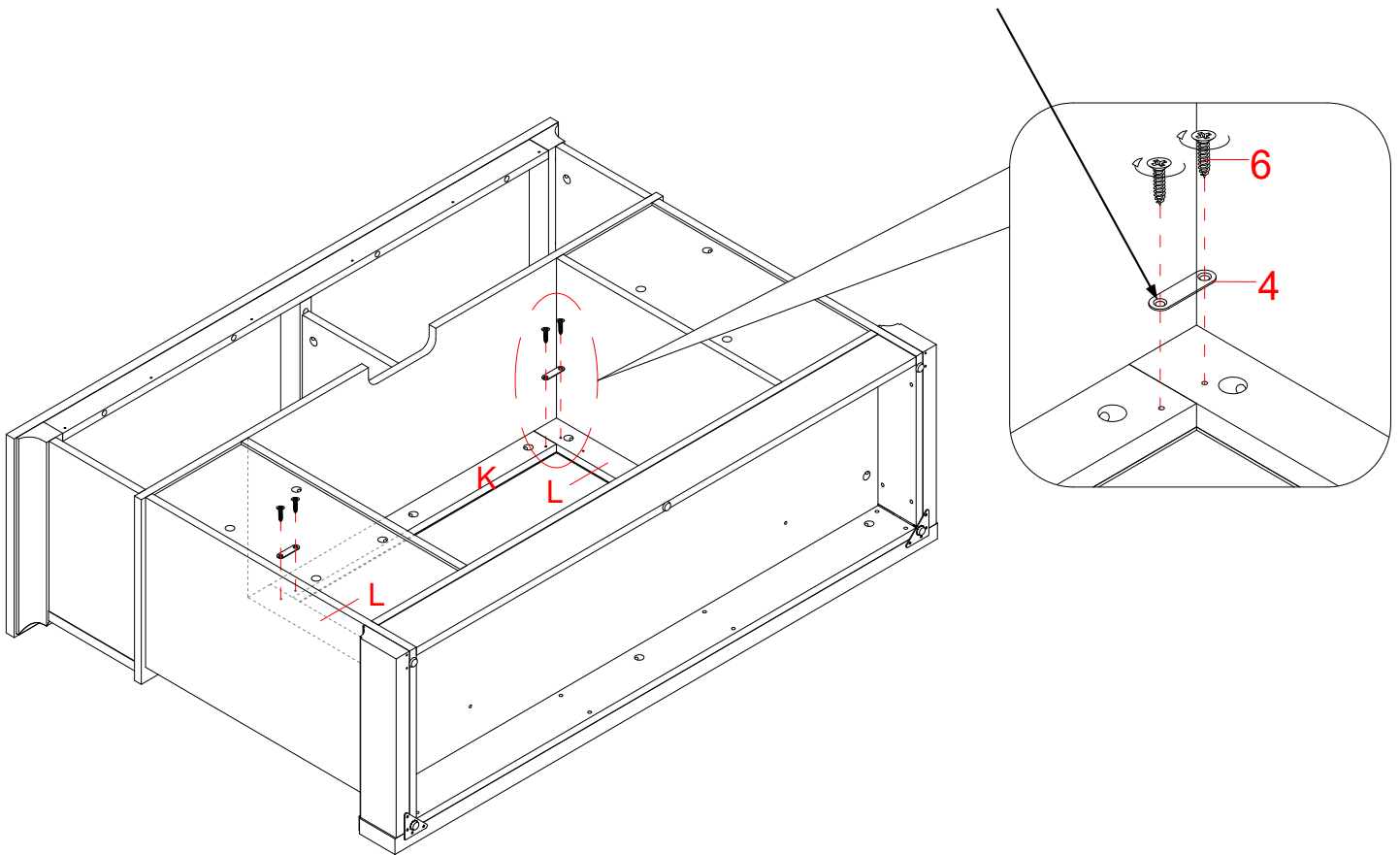


23. Girar la unidad ensamblada en torno a sus bordes delanteros.

24. Fijar los paneles inferiores posteriores (J) a los paneles laterales inferiores (F y G) con cuatro tuercas de fijación (1).

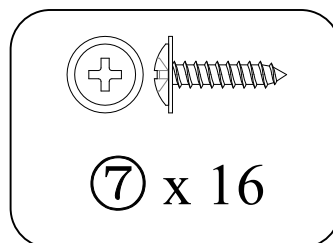
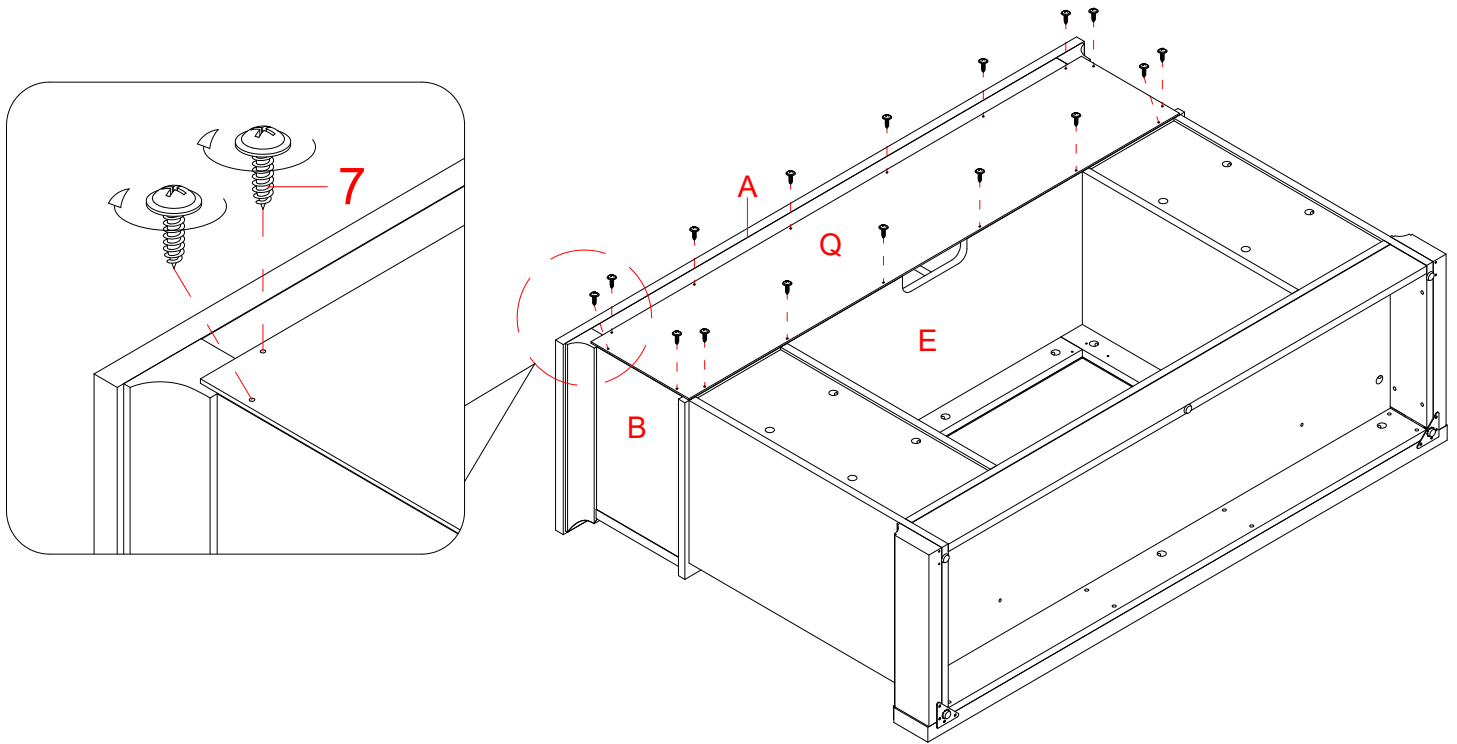
Instrucciones de ensamble

Los agujeros avellanados apuntan hacia arriba



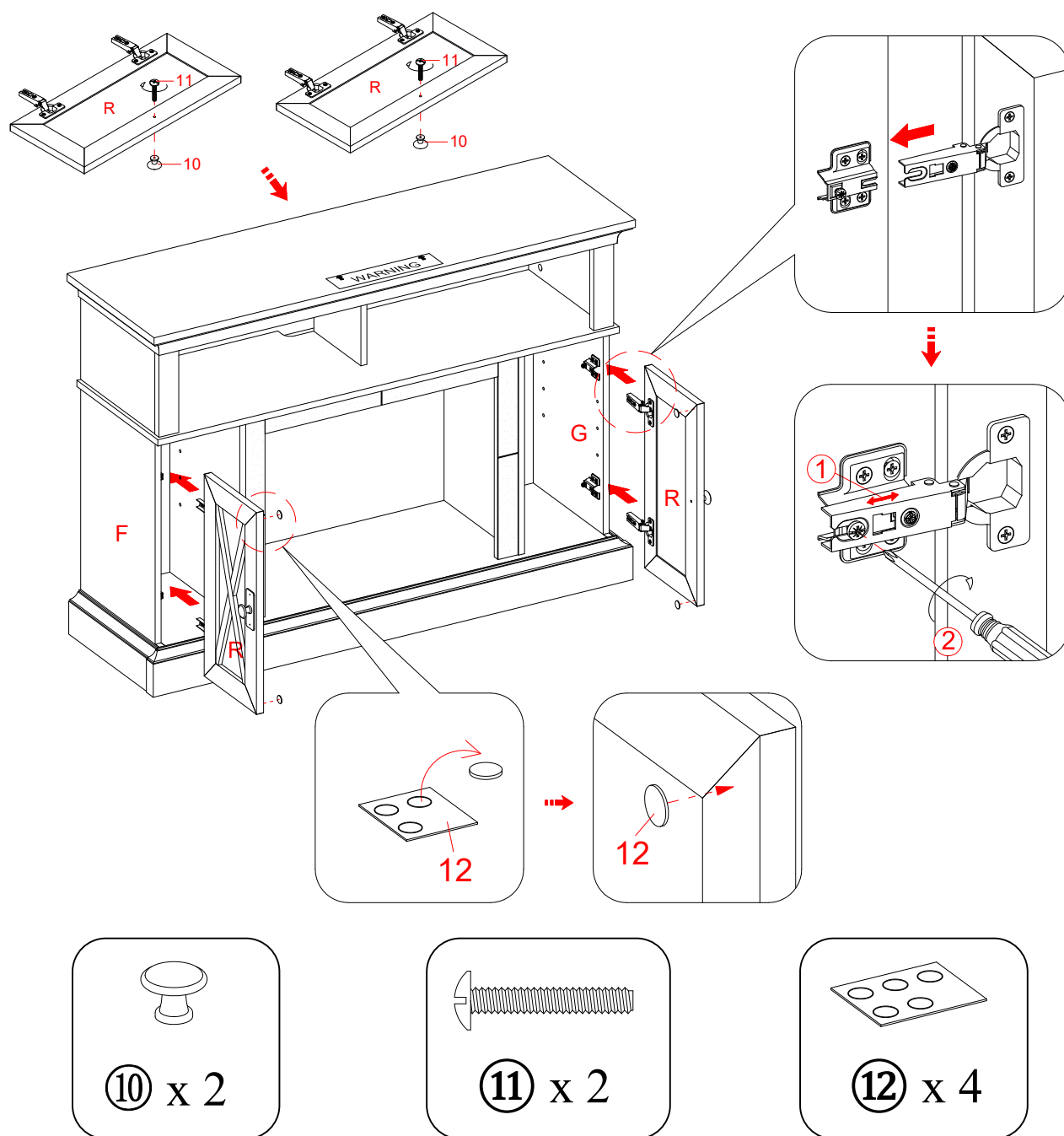
25. Usar los orificios piloto como una guía y sujetar dos soportes rectos de metal (4) en las uniones entre el soporte central (K) y las molduras medias (L) con dos tornillos de 15 mm (6) por soporte.

Instrucciones de ensamble



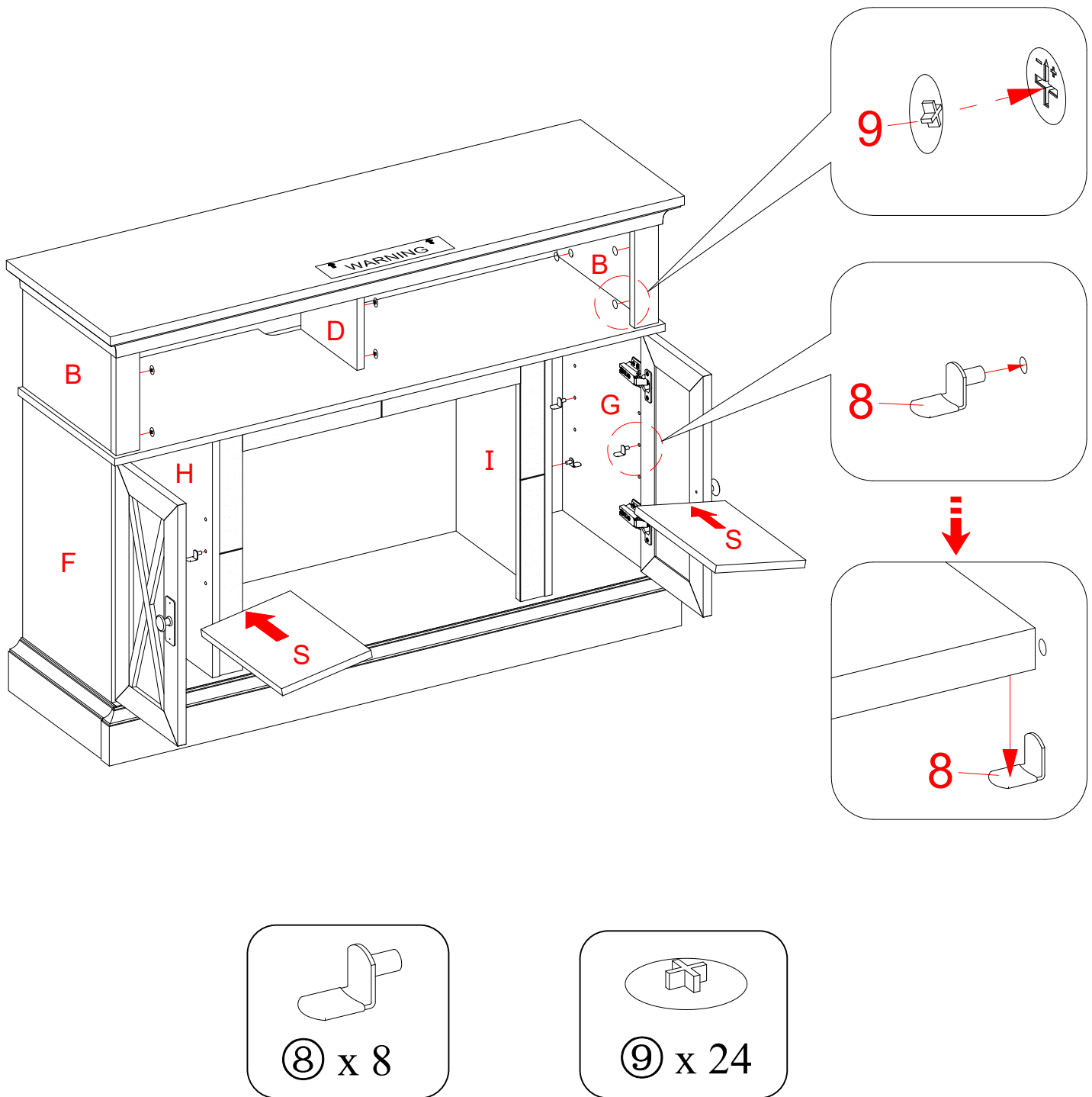
26. Ahora, volver atrás y apriete firmemente todas las tuercas de fijación y los tornillos. Asegúrese de que todas las partes estén apretadas y que no haya espacios entre las partes. Esto ayudará a mantener el cuadrado de la unidad.
27. Alinear el panel posterior (Q) en los orificios piloto sobre el soporte posterior del panel superior (A) y fijarlo en su lugar mediante el uso de dieciséis tornillos de 15 mm cabeza especial (7).

Instrucciones de ensamble



28. Una un botón (10) a la parte frontal de cada puerta (R) con el tornillo para botón (11).
29. Tome una puerta (R) y extienda los brazos de la bisagra a las bases de bisagra instaladas en el panel lateral (F). Aflojar el tornillo en la parte posterior de la articulación de base para un ajuste fácil. Alinear e insertar la ranura "T" en la bisagra del brazo bajo la cabeza del tornillo en la parte posterior de la articulación de la base. Asegúrese de que las bisagras funcionan correctamente. Apriete el tornillo de la base de la bisagra para bloquear las bisagras en su lugar.
30. Repita el mismo procedimiento para colocar la otra puerta (R) para el panel lateral inferior derecho (G).
31. Abrir y cerrar las puertas para asegurarse de que están alineados y que cierran correctamente. Si es necesario, ajuste los tornillos para un buen movimiento. Consulte la etiqueta de la bisagra en la puerta para el ajustarle.
32. Pegar el tope de plástico (12) en las esquinas exteriores de las dos puertas (R) donde que están hace contacto con los paneles divisores inferiores (H e I).

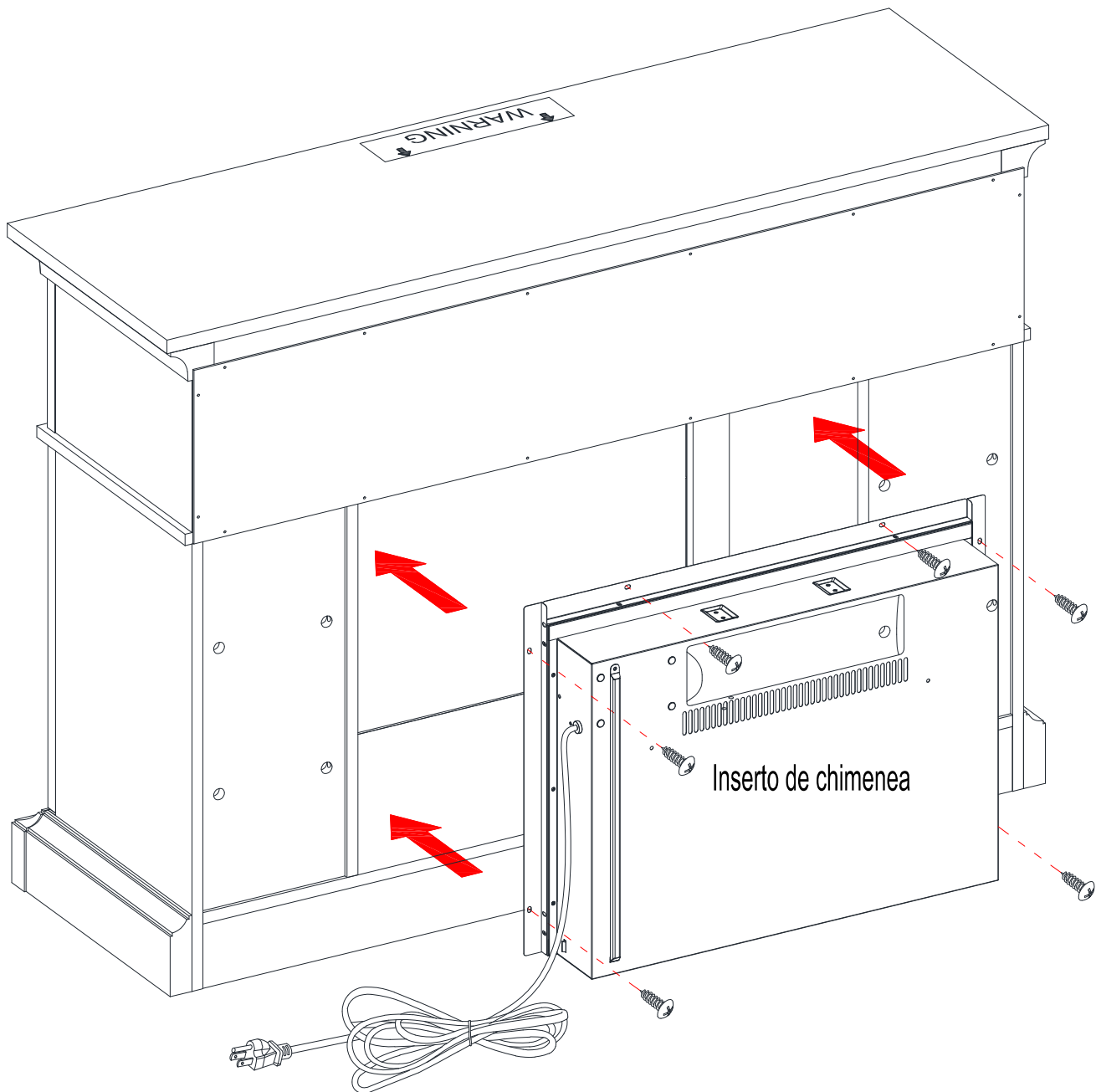
Instrucciones de ensamble



33. Insertar cuatro soportes de repisa (8) en los orificios deseados dentro de cada compartimento lateral. Asegúrese de colocar los soportes de los cuatro en el mismo nivel por lo que la repisa no quedara inclinada. Descansar las repisas ajustables (s) en los soportes de repisa (8).

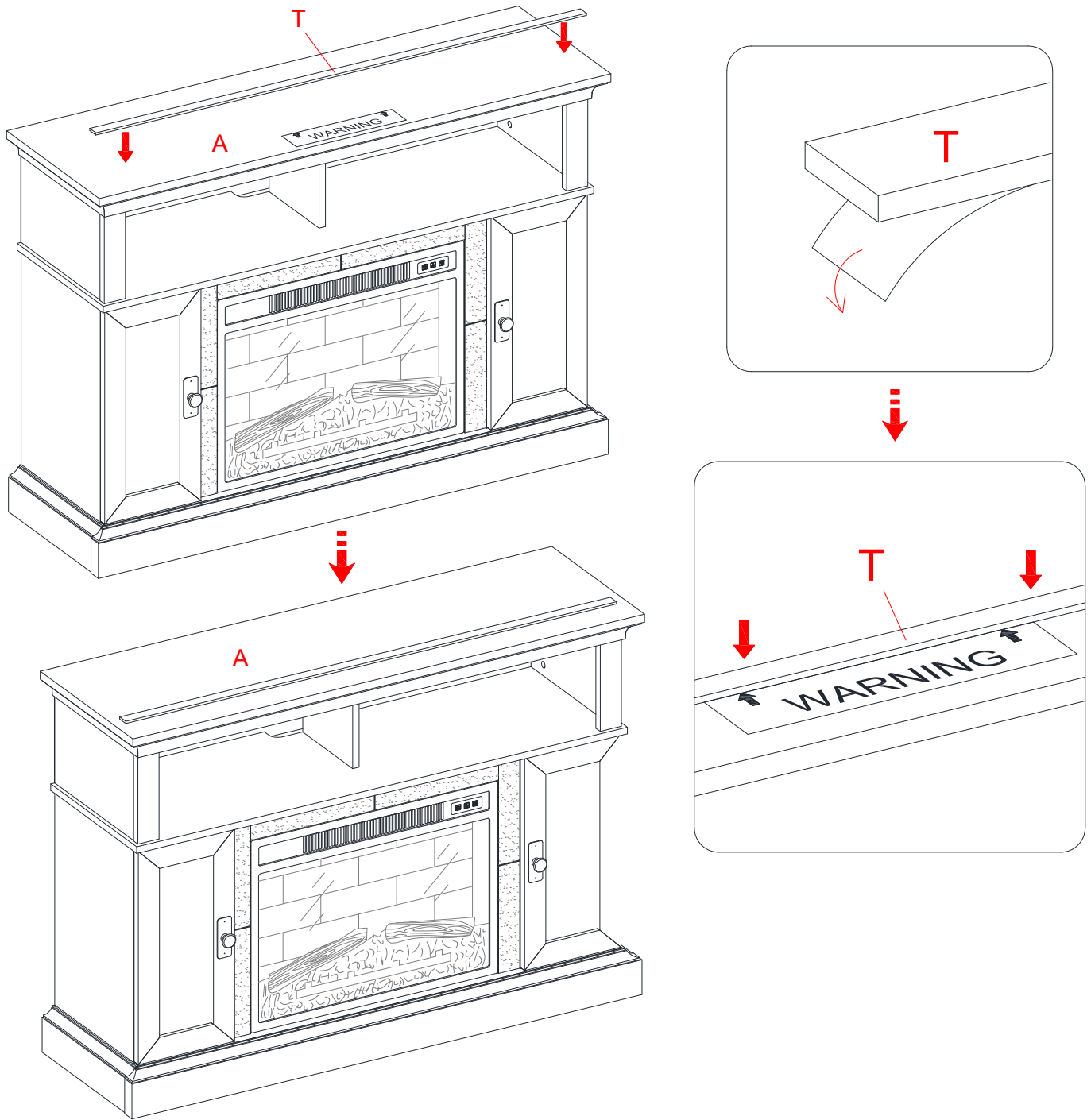
34. Coloque las cubiertas de tuerca de fijación (9) en aquellas que estén visibles para ocultarlas.

Instrucciones de ensamble



35. Desempacar el inserto de chimenea de la caja interior y siga las instrucciones para instalar las molduras superiores y laterales de la chimenea.
36. Levante el inserto de la chimenea y con cuidado colocar en la parte posterior de la repisa ensamblada y centrarla en la abertura. **NO ARRASTRAR** en la base (M) para evitar daño a la unidad.
37. Apretar el inserto con 6 tornillos como se muestra.

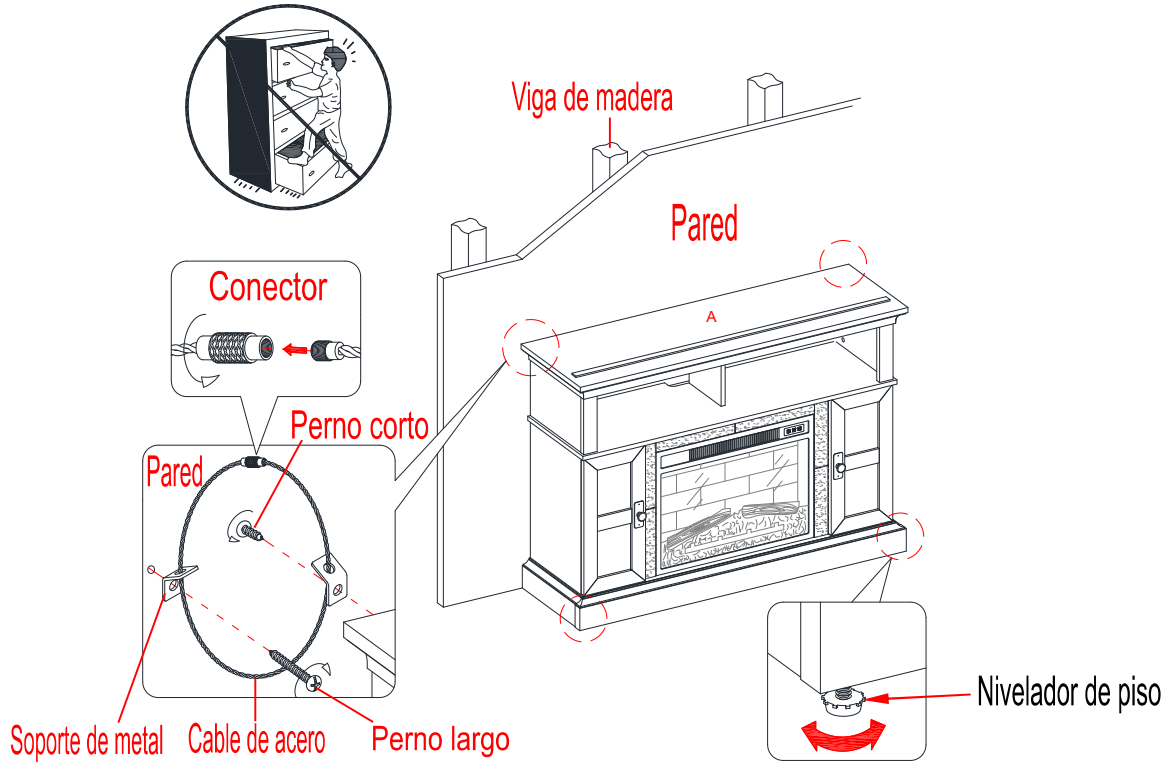
Instrucciones de ensamble



NOTA: Para evitar que su televisor se vuelque, se debe seguir estas instrucciones cuando se ubique su televisor en el mueble. De lo contrario, vaya al paso 39.

38. Retire el papel protector del riel tope (T), y luego alinear correctamente al borde superior de la plantilla para tope en el panel superior (A). Presione hacia abajo para ayudar a la adhesión.
39. Retirar con cuidado la plantilla del panel superior (A).

Instrucciones de ensamble



Herramientas requeridas: Desarmador estrella, buscador de barrotes, taladro, lápiz, cinta métrica y broca de 1/8”.

40. Pida asistencia para posicionar la chimenea ensamblada en el lugar deseado contra la pared. Si fuera necesario, ajuste los niveladores de piso pre-adjuntados en la parte inferior de la base para nivelar la unidad. Ahora, seguir las instrucciones impresas en la bolsa de plástico que contiene el juego de restricción de movimiento para adjuntar los toques de movimiento a la unidad y a la pared.

NOTA: El juego de restricción de movimiento incluido es para paredes con tacos de madera. Se debe instalar a un taco de la pared. Dependiendo de su pared, diferentes anclas se pueden requerir. Por favor de contactar su tienda de ferretería local para asistencia. Niños pequeños pueden resultar lastimados por muebles inclinados. Debe instalar el juego de restricción de movimiento con la unidad en función, para prevenir la inclinación de la unidad, causando cualquier accidente o daño. El tope de movimiento es solo un impedimento, no hay sustituto para la supervisión adulta. El tope de movimiento no es contra terremoto. Si deseara añadir la seguridad extra contra terremotos, deben ser comprados e instalados.

41. Conecte la chimenea a una fuente de potencia. Siga las instrucciones de manejo separado de chimenea eléctrica para controlarla.



ADVERTENCIA



Niños han muerto a cause de muebles que se voltean.

Para reducir el riesgo de que se voltee un mueble:

- SIEMPRE instalar la restricción de inclinación provista.
- PARA uso de televisiones que pesan 70 libras o menos. El uso de televisiones más pesadas puede resultar en inestabilidad causando una volcadura resultando en muerte o lesiones graves.
- NUNCA permitir que niños se paren, se trepan, o se cuelguen de los cajones, puertas, o repisas.
- NUNCA abrir más de un cajón a la vez.
- Poner los objetos más pesados en los cajones inferiores.

El uso de restricciones de inclinación solo reduce, pero no elimina, el riesgo de volcadura.

Mantenimiento y Cuidados

- Para una limpieza diaria, las superficies de cromo, bronce, aluminio y de metal pintado se mantienen mejor limpiándolas con un trapo de algodón suave, levemente humedecido, un sacudidor o con el cepillo de la aspiradora.
- Si hay manchas límpielas con una esponja o un trapo limpio húmedo (exprimido). Seque completamente con un trapo a una toalla de papel para evitar manchas de agua.
- No utilice productos abrasivos o químicos fuertes para limpiar las superficies de metal. Se puede dañar el revestimiento protector.
- El metal se oxida si se raya el acabado o se exponen los muebles a humedad excesiva, en particular, en locaciones de zonas húmedas o de la zona costera.
- La mayoría de los muebles de metal vienen con un revestimiento protector para evita el óxido, sin embargo, puede aparecer óxido cuando el acabado se estropea o se desgasta por el tiempo.
- En el caso de que se manchen los muebles o se dañen por el uso, recomendamos que llame a un profesional para que los repare.
- Checar tornillos periódicamente y apretar en caso necesario.
- Un plumón de retoque es proveído en caso de pequeñas raspaduras o golpes que sucedan durante el ensamble o envío.

ADVERTENCIA

Por favor use sus muebles de forma correcta y seguramente. El uso inapropiado puede causar riesgos a la seguridad, o daños a sus muebles u objetos de hogar. Leer cuidadosamente la siguiente información de seguridad.

Esta unidad no debe utilizarse con TVs CRT. La carga máxima de la superficie superior es 70 libras (31.8 kg) y puede aguantar una TV de pantalla plana de 55 pulg. (139.7 cm) diagonal. La carga máxima de la repisa es 50 libras (22.7 kg). El uso con TVs de mayor peso puede resultar en inestabilidad causando que la unidad caiga, causando en algunos casos daños o muerte.

La muerte o lesiones serias pueden ocurrir cuando los niños se trepan al equipo de audio y/o video del mueble. Un control remoto o juguetes puestos sobre el mueble pueden animar a un niño a treparse al mueble y causar que el mueble se caiga sobre el niño.

NUNCA permita que niños se trepen o jueguen con la TV o equipo de soporte para TV.

NUNCA poner juguetes, comida, controles, etc. sobre la TV o el mueble.

SIEMPRE use el equipo de seguridad como se indica u otro equipo de anclaje para pared.

La reubicación del equipo de audio y/o video a un mueble no diseñado para apoyar equipos de audio y/o video puede resultar en la muerte o lesiones serias debido al colapso del mueble o a que se caiga sobre un niño.

NUNCA poner la TV sobre muebles que no soportan una TV.

NUNCA exceder el tamaño o peso máximo de la TV mostrada en las instrucciones.

Asegúrese de consultar la etiqueta de aviso de la TV mostrada en las instrucciones.

Sobrecargar los cajones y repisas puede resultar en muebles que se rompen o hunden, o se in volqueen resultando en lesiones.

NUNCA exceder los límites de peso mostrados en las instrucciones.

Poner los objetos más pesados en las repisas bajas tan lejos del frente como sea posible.

Cargar las superficies inferiores primero para evitar muebles pesados de arriba.

Mover muebles que no están diseñados para ser movidos o equipados con ruedas puede resultar en lesiones o daños al mueble o a objetos personales.

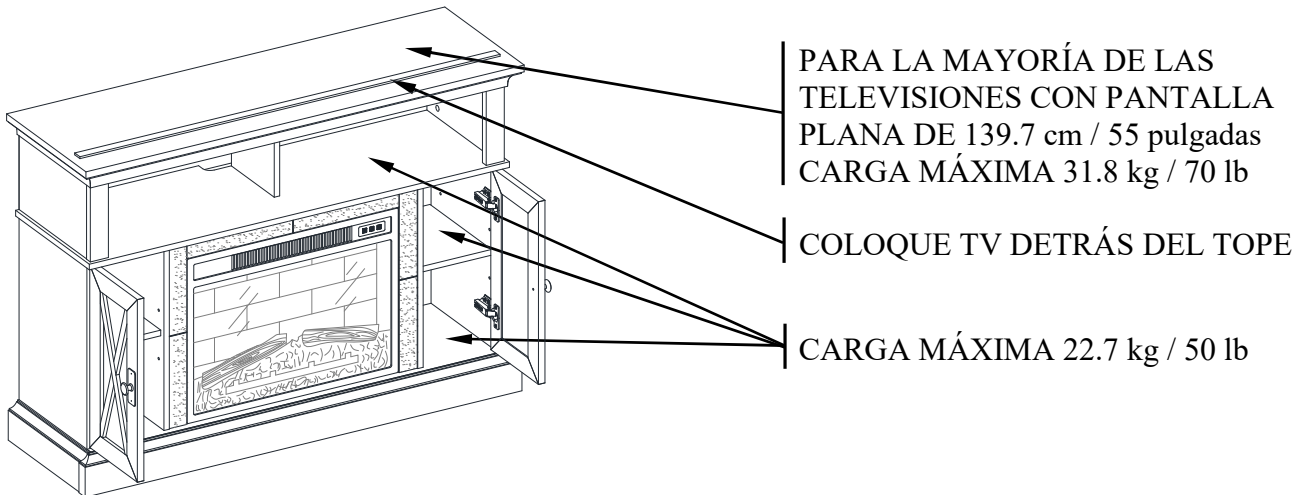
SIEMPRE descargar repisas o cajones, empezando con las superficies superiores, antes de mover.

NUNCA empujar o jalar el mueble sobre alfombras. Pedir ayuda para levantar el mueble para mover y/o reposicionar.

La unidad no está hecha para ser un asiento y nadie debería estar sentado o parado sobre el panel superior.

PESOS MÁXIMOS RECOMENDADOS

FABRICANTE: Whalen Furniture Manufacturing
CATÁLOGO: Consola para medios con chimenea Kellum
SERIE # WMFP48EC-26BR / WMFP48EC-26GR



ADVERTENCIA

ESTA UNIDAD NO DEBE UTILIZARSE CON TELEVISIONES CRT O DE TUBO. UTILIZARSE ÚNICAMENTE CON TELEVISIONES DE PANTALLA PLANA Y EQUIPO DE AUDIO/VIDEO QUE TENGA LA MEDIDA/PESO RECOMENDADO. NUNCA UTILIZAR CON TELEVISIONES MÁS GRANDES/PESADAS DE LAS RECOMENDADAS. PARA EVITAR INESTABILIDAD COLÓQUELA EN EL CENTRO DE LA UNIDAD; LA BASE DE LA TELEVISIÓN DEBE DE REPOSAR SOBRE LA SUPERFICIE DE SOPORTE DE LA UNIDAD SIN REBASAR LAS ORILLAS. LAS TELEVISIONES DE PANTALLA PLANA COLOCADAS INAPROPIADAMENTE, O LAS TELEVISIONES DE PANTALLA PLANA INCLUYENDO EQUIPO QUE SOBREPASA LAS MEDIDAS Y PESOS RECOMENDADOS PUEDEN CAERSE Y/O ROMPER LA UNIDAD, CAUSANDO POSIBLES DAÑOS O LESIONES. PARA USO DE TELEVISIONES DE HASTA 70 LBS (31.8 KG) O MENOS. USO CON TELEVISIONES DE MAYOR PESO PUEDE RESULTAR EN INESTABILIDAD CAUSANDO QUE LA UNIDAD CAIGA EN ALGUNOS CASOS PROVOCAR DAÑOS O MUERTE.

GARANTÍA DE CALIDAD

Nosotros estamos seguros que usted se encontrará feliz con la compra de este producto de Whalen Furniture.

Si este producto tiene algún defecto de ensamble o material, o si tiene alguna falla en uso normal, nosotros lo repararemos o lo re-emplazaremos hasta por un año a partir de la fecha de compra. Todo producto de Whalen Furniture es diseñado para alcanzar sus expectativas más altas. Nosotros le garantizamos que inmediatamente podrá ver el valor de nuestra mercancía de la más alta calidad.

Esta garantía le proporciona derechos legales específicos y tal vez tenga otros derechos que varían de estado a estado.

Whalen Furniture Manufacturing
1578 Air Wing Road, San Diego, CA 92154, USA
Servicio al cliente: 866-942-5362
Hora estándar del Pacífico: 8:30 a.m. - 4:30 p.m., de Lunes a Viernes
www.whalenstyle.com