

SCOTT  LIVING™

BY DREW & JONATHAN

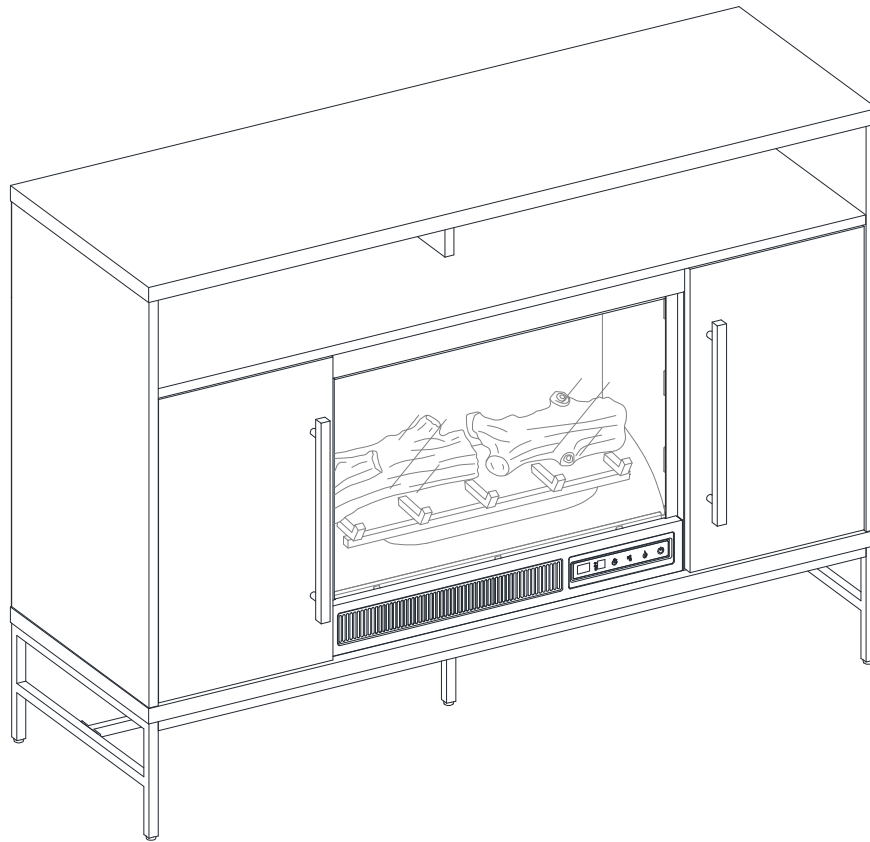
OMSID # 320643178  
# 320643181

Model # HDSLFP48L-1A  
# HDSLFP48L-1B

---

# ASSEMBLY INSTRUCTIONS

## KAPLAN 48" INFRARED MEDIA ELECTRIC FIREPLACE



Questions, problems, missing parts? Before returning to the store,  
call Customer Service

**1-866-942-5362**

Pacific Standard Time: 8:30 a.m. - 4:30 p.m., Monday - Friday

Or visit our web site 24 hours a day, 7 days a week for product assistance at

**[www.whalenfurniture.com](http://www.whalenfurniture.com)**

Or e-mail your request to **[parts@whalenfurniture.com](mailto:parts@whalenfurniture.com)**

---

### THANK YOU

We appreciate the trust and confidence you have placed in Scott Living by Drew & Jonathan through the purchase of this electric fireplace/heater. We strive to continually create quality products designed to enhance your home. Visit us online to see our full line of products available for your home improvement needs.

Thank you for choosing Scott Living by Drew & Jonathan!

# Table of Contents


Table of Contents .....2  
Safety Information .....2  
    Maximum Recommended Weight Loads .....2  
Warranty .....2  
Pre-Assembly .....2  
    Planning Assembly .....2  
    Tools required .....2

Hardware Included .....3  
Package Contents .....4  
Assembly .....5  
Care and Maintenance .....23  
    Caring for Wood Furniture .....23  
    Cleaning the Fireplace Trim.....23

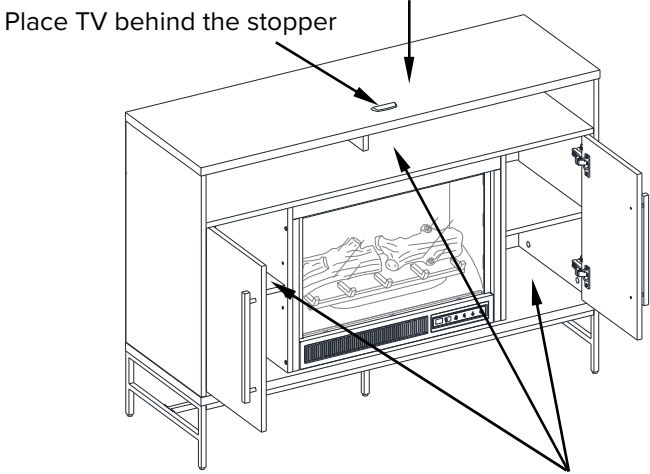
# Safety Information

Please read and understand these instructions before assembling and using this console. Save these instructions for future reference.

## MAXIMUM RECOMMENDED WEIGHT LOADS

 **WARNING:** This unit is not intended for use with CRT TVs. Use only with flat panel TVs and audio/video equipment meeting recommended size and weight limits. Never use with larger/heavier than recommended flat panel TVs or equipment. To avoid instability, place flat panel TV in the centre of the unit; the base of the television must be able to rest on the supporting surface of the unit without over-hanging the edges. Improperly positioned flat panel TVs, or flat panel TVs or other equipment that exceed recommended size and weight limits could fall off or break the unit, causing possible serious injury.

Fits up to most 147.3 cm / 58 in. diagonal flat-panel TVs  
Maximum load 31.8 kg / 70 lb



# Warranty

We are confident that you will be delighted with this purchase. Should this product be defective in workmanship or materials, or fail under normal use, we will repair or replace it for a period of up to one (1) year from date of purchase.

This warranty gives you specific rights and you may also have other rights which vary from state to state. Contact the Customer Service Team at 1-866-942-5362 or visit [www.whalenfurniture.com](http://www.whalenfurniture.com).

# Pre-Assembly

## PLANNING ASSEMBLY

Compare all parts with the Hardware Included and Package Contents list. If any part appears missing or damaged, do not assemble this product and contact the Customer Service Team at 1-866-942-5362.

## TOOLS REQUIRED

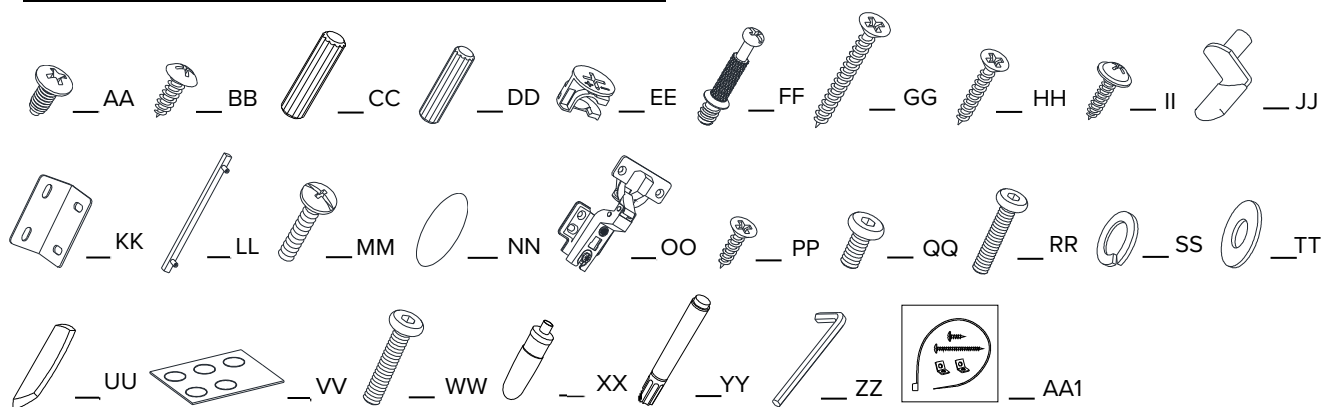


# Pre-Assembly (continued)

## HARDWARE INCLUDED



**NOTE:** Hardware not shown to actual size.

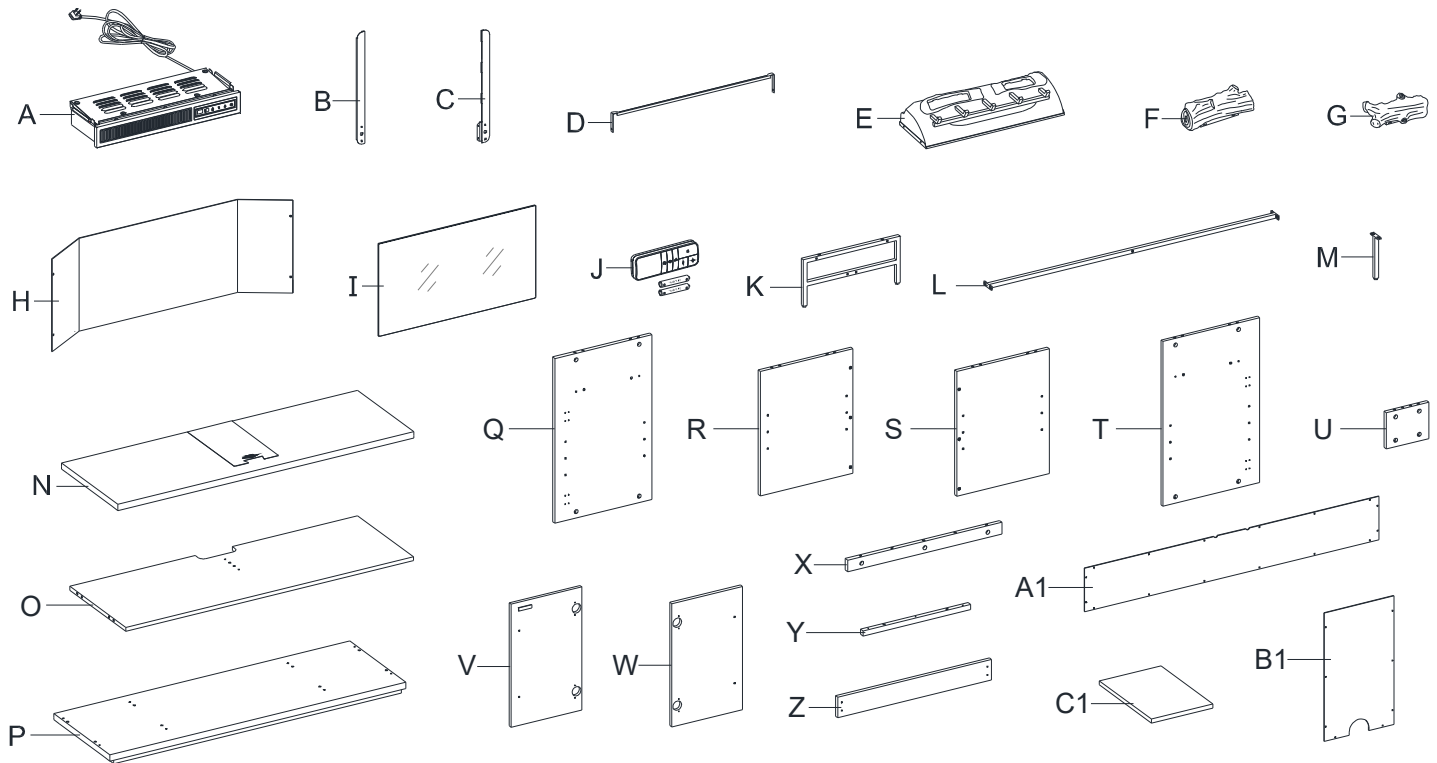


Part	Description	Quantity
AA	Insert screw	10+1 extra
BB	Pan head screw	8+1 extra
CC	Long wood dowel	26+1 extra
DD	Short wood dowel	4+1 extra
EE	Cam lock	23+1 extra
FF	Cam bolt	23+1 extra
GG	Long flat head screw	4+1 extra
HH	Short flat head screw	6+1 extra
II	Washer head screw	32+1 extra
JJ	Shelf support	8+1 extra
KK	L-shaped bracket	2
LL	Handle	2
MM	Handle bolt	4
NN	Paper sticker	23+1 extra

Part	Description	Quantity
OO	Hinge	4
PP	Nickel screw for hinge	24+1 extra
QQ	Small bolt	6+1 extra
RR	Medium bolt	5+1 extra
SS	Lock washer	15+1 extra
TT	Flat washer	15+1 extra
UU	Acrylic stopper	1
VV	Rubber bumper	4+1 extra
WW	Large bolt	4+1 extra
XX	Glue	1
YY	Touch-up pen (Not include for HDSLFP48L-1B)	1
ZZ	Hex Wrench	1
AA1	Tipping restraint hardware kit	2

# Pre-Assembly (continued)

## PACKAGE CONTENTS



Part	Description	Quantity
A	Heater	1
B	Left upright arm	1
C	Right upright arm	1
D	Connector strap	1
E	Ember bed	1
F	Left log	1
G	Right log	1
H	Firebox wall panel	1
I	Firebox glass	1
J	Remote control with battery	1
K	Leg	2
L	Bottom stretcher	1
M	Center leg	1
N	Top panel	1
O	Media shelf	1

Part	Description	Quantity
P	Bottom panel	1
Q	Left side panel	1
R	Left partition panel	1
S	Right partition panel	1
T	Right side panel	1
U	Upper partition panel	1
V	Left door	1
W	Right door	1
X	Middle crossbar	1
Y	Middle trim	2
Z	Firebox support	1
A1	Upper back panel	1
B1	Side back panel	2
C1	Adjustable shelf	2

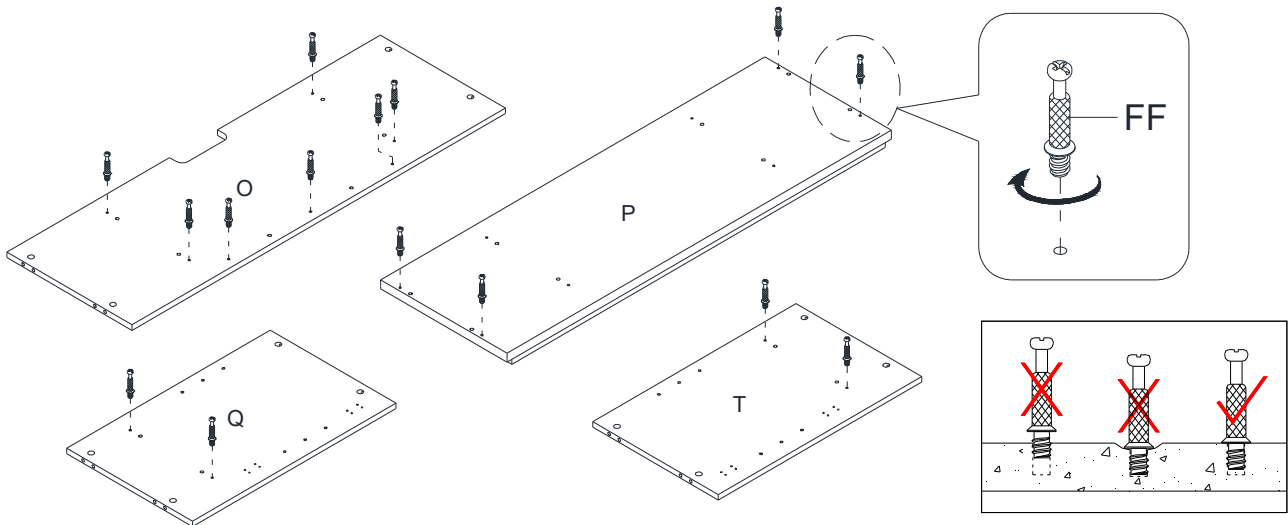
# Assembly

## 1 Preparing media shelf, base and side panels assembly



**NOTE:** Do not fully tighten all bolts until you finish assembling all parts. Once assembled, go back and fully tighten all bolts. This will make the assembly easier.

- Unpack the unit and confirm that you have all the hardware and required parts. Assemble the unit on a carpeted floor or the empty carton to avoid any scratches.
- Securely screw the cam bolts (FF) into the designated small holes on the media shelf (O), bottom panel (P) and side panels (Q and T) using a Phillips screwdriver. DO NOT overtighten the cam bolts.

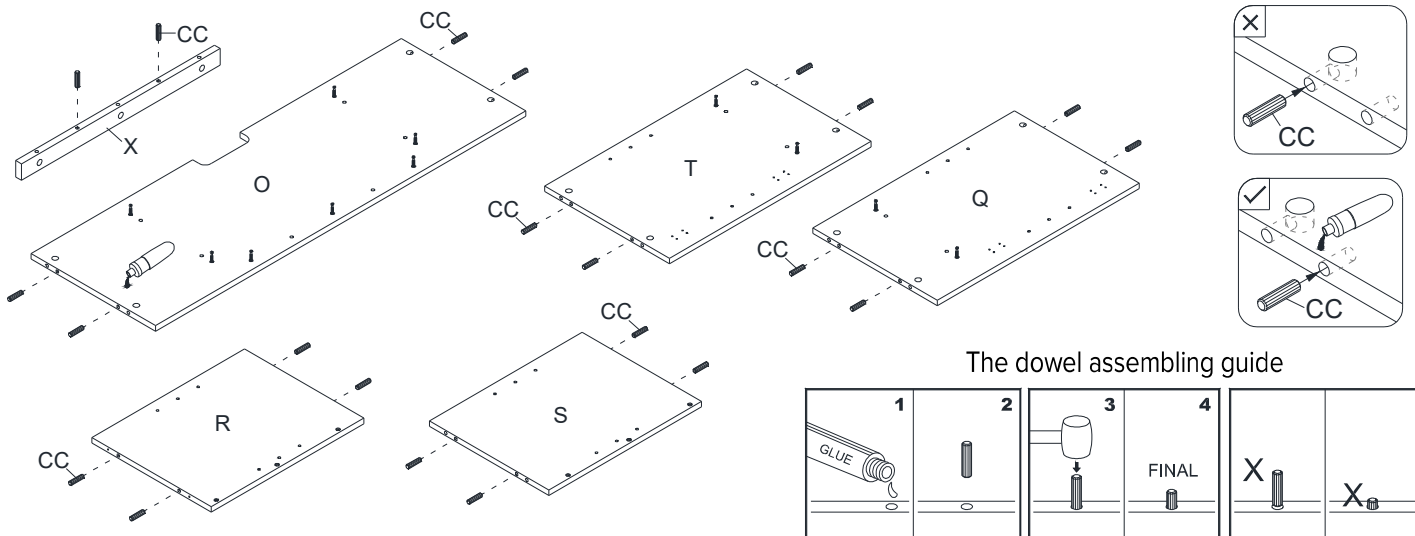


## 2 Gluing wood dowels



**NOTE:** Refer to the dowel assembling guide drawings in this step for further clarification on how to properly glue in the wooden dowels. It is very important to use a small amount of glue on both ends of dowels and wipe off the excess glue immediately with a damp cloth.

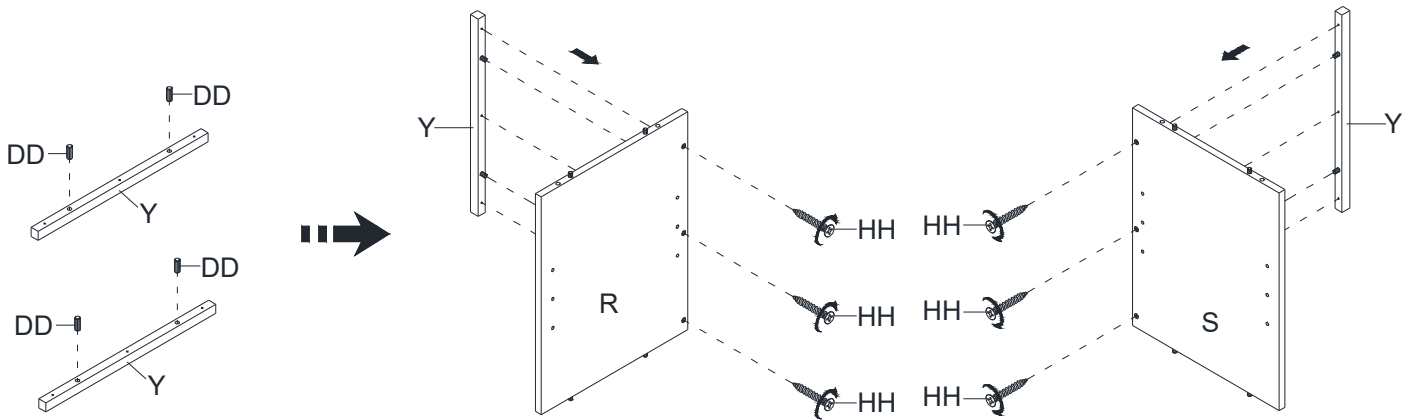
- Glue the long wood dowels (CC) into the designated holes on the media shelf (O), side panels (Q and T), lower partition panels (R and S) and middle crossbar (X) as shown.



## Assembly (continued)

### 3 Attaching middle trims

- Glue the short wood dowels (DD) into the inner holes on each middle trim (Y).
- Fasten the middle trims (Y) to the lower partition panels (R and S) respectively, using three short flat head screws (HH) per trim.

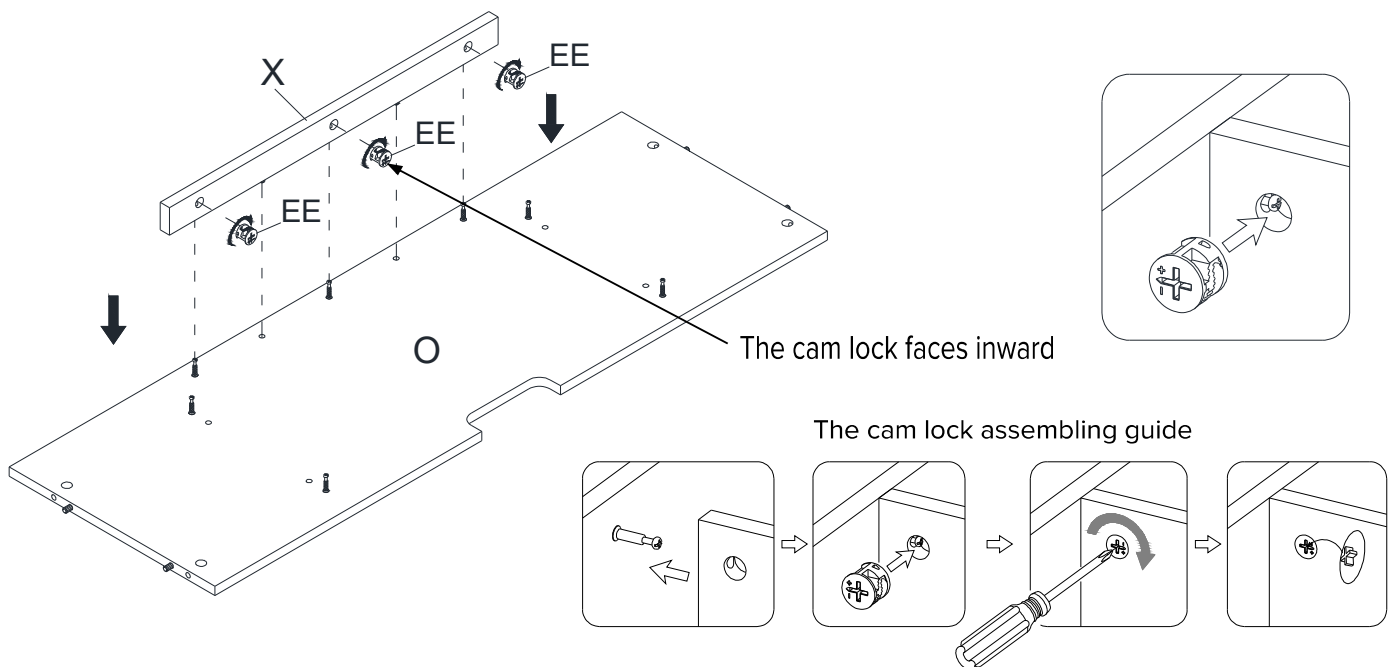


### 4 Attaching middle crossbar



**NOTE:** Refer to the cam lock assembling guide drawings in this step for further clarification on how to properly install cam locks. Apply this method whenever instructed to install cam locks.

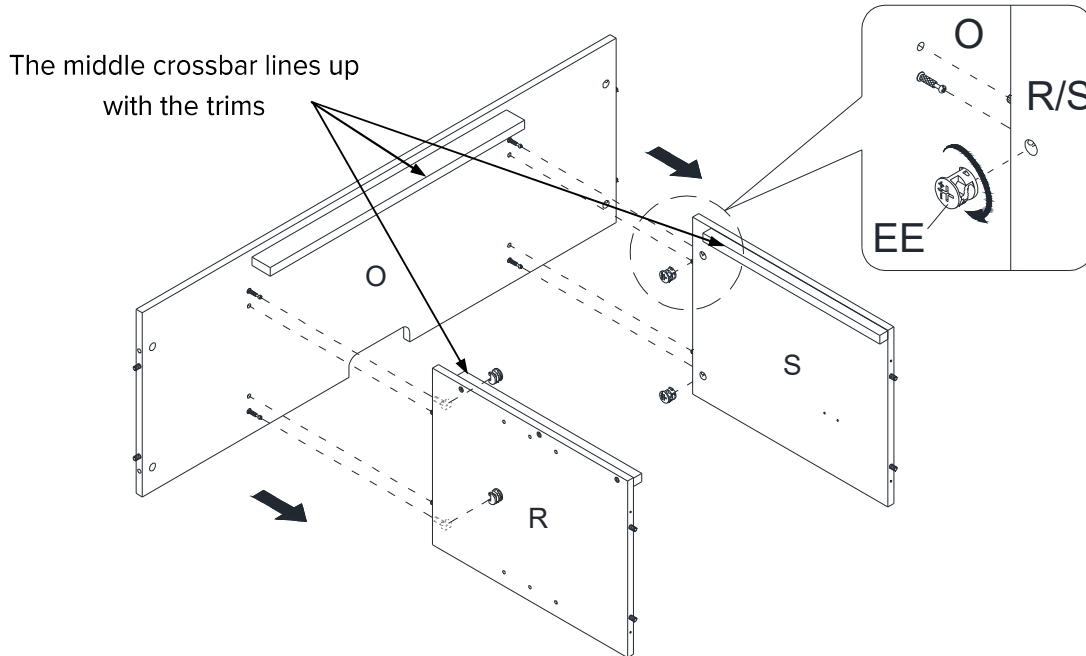
- Attach the middle crossbar (X) to the media shelf (O) by engaging three cam locks (EE).



## Assembly (continued)

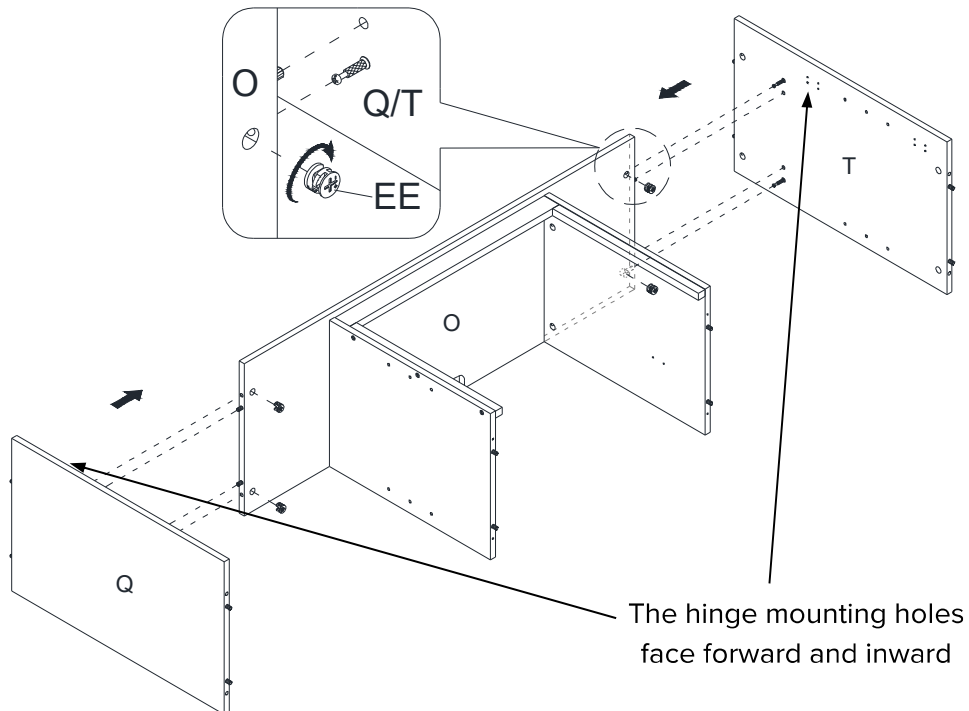
### 5 Attaching lower partition panels

- Attach the assembled lower partition panels (R and S) to the media shelf (O) by engaging four cam locks (EE) as shown.



### 6 Attaching side panels

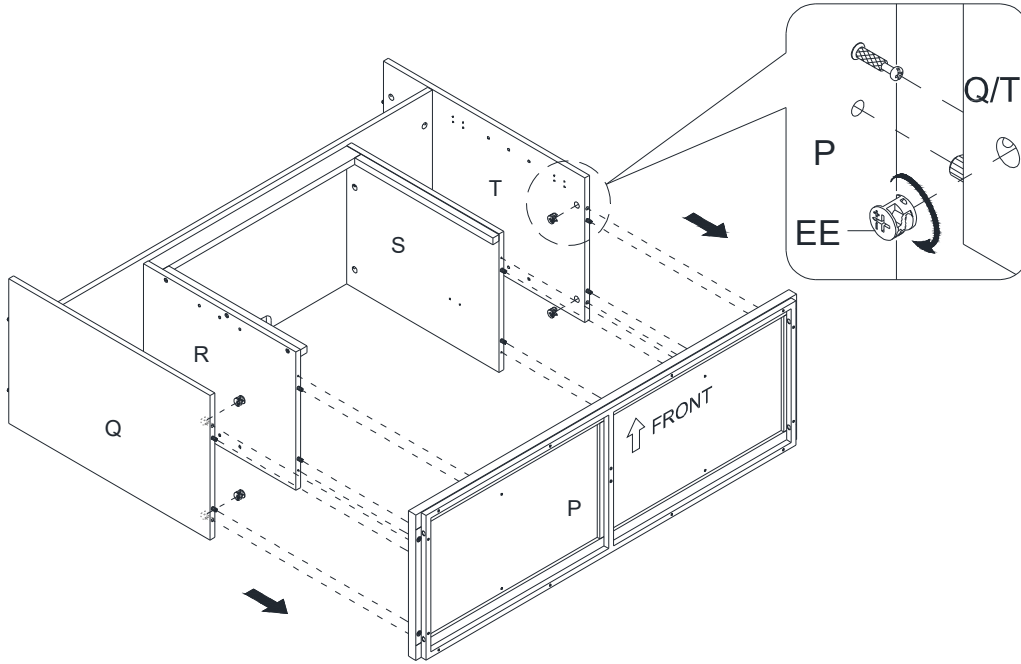
- Align and attach the left side panel (Q) to the media shelf (O) by engaging two cam locks (EE).
- Repeat the same procedure with the right side panel (T).



## Assembly (continued)

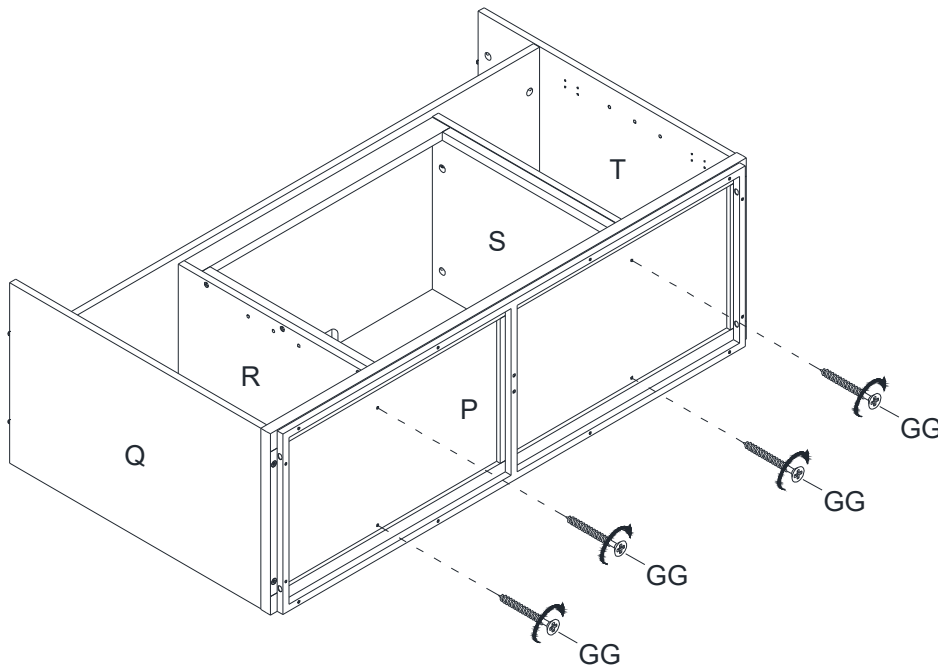
### 7 Attaching bottom panel

- Using the wood dowels as a guide, firmly press the bottom panel (P) to the vertical panels (Q, R, S and T).
- Fasten both side panels (Q and T) to the bottom panel (P) by engaging four cam locks (EE).



### 8 Fastening partition panels

- Insert four long flat head screws (GG) through the bottom panel (P) and securely screw them into the partition panels (R and S).

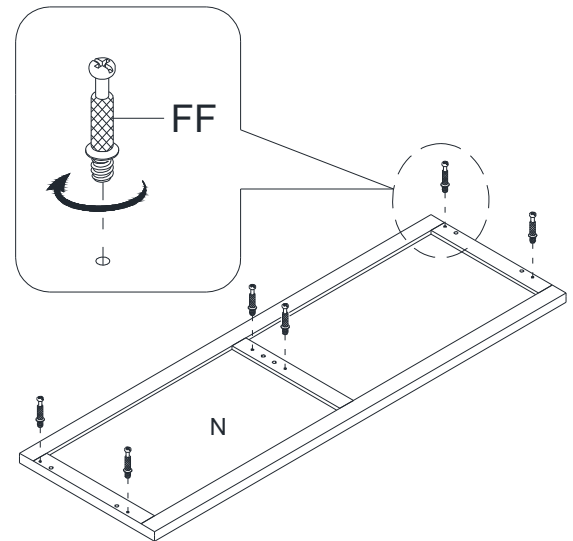
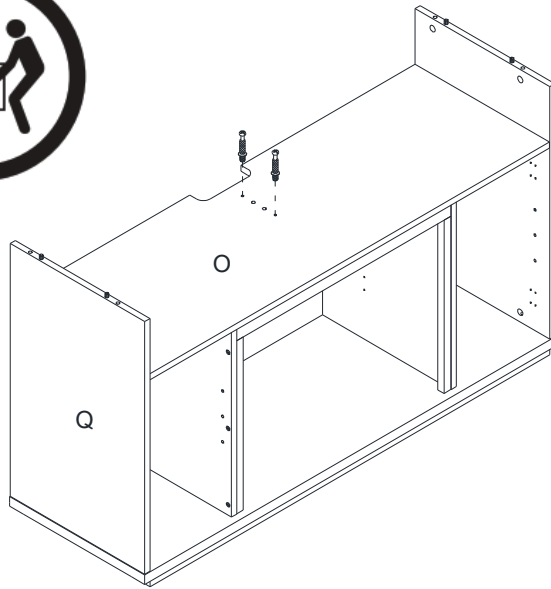




## Assembly (continued)

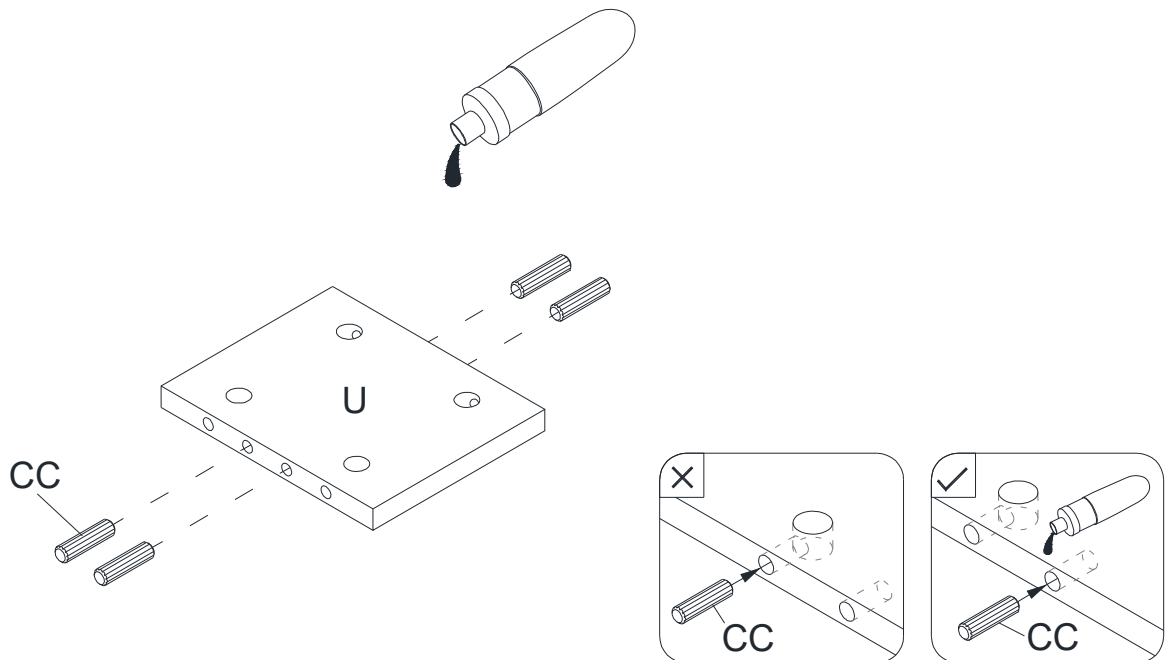
### 9 Preparing top panel assembly

- Ask for assistance to lift the unit upright.
- Securely screw the cam bolts (FF) into the designated small holes on the top surface of the media shelf (O) and the top panel (N) using a Phillips screwdriver.



### 10 Gluing wood dowels

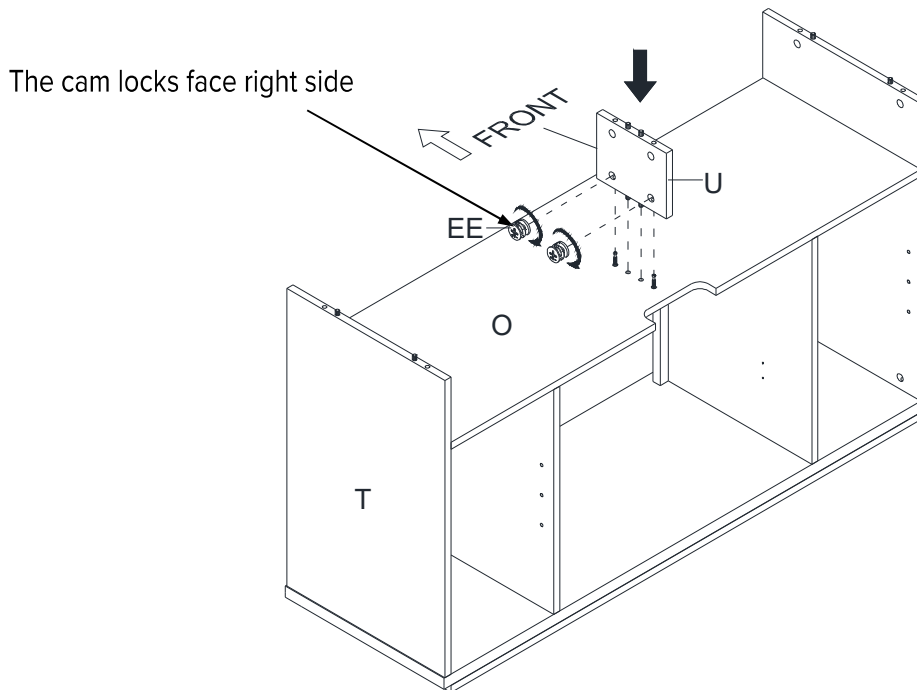
- Glue the wood dowels (CC) into the designated holes on the upper partition panel (U) as shown.



## Assembly (continued)

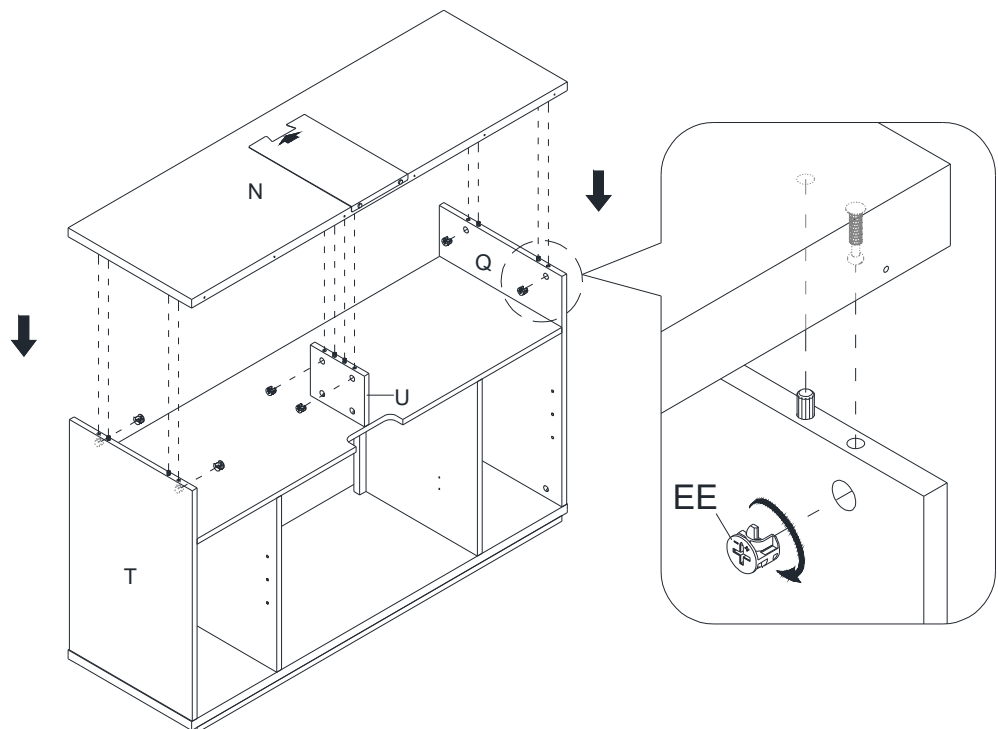
### 11 Attaching upper partition panel

- Orient and fasten the assembled upper partition panel (U) to the media shelf (O) using two cam locks (EE).



### 12 Attaching top panel

- Align and attach the top panel (N) onto both side panels (Q and T) and upper partition panel (U) and fasten them in place by engaging six cam locks (EE).



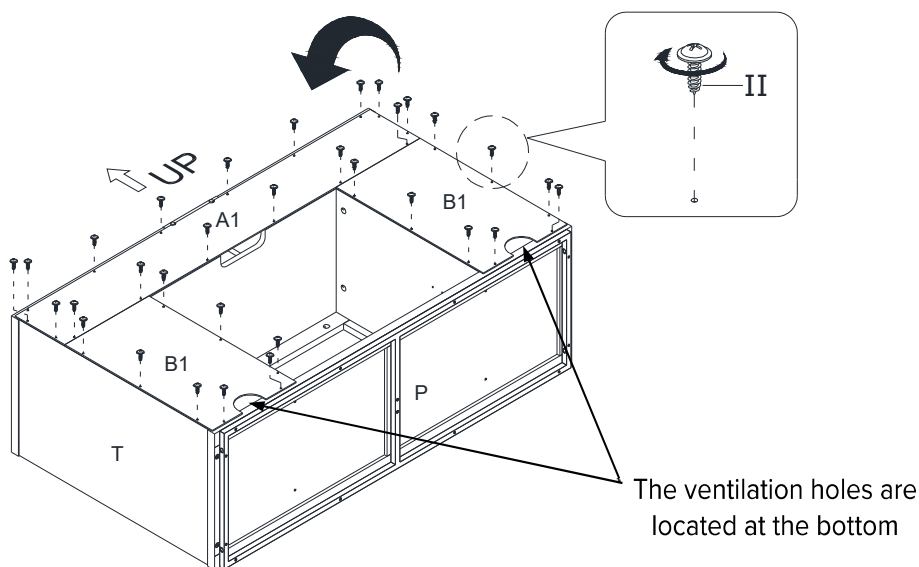
## Assembly (continued)

### 13 Installing back panels

- Now, go back and securely tighten all the cam locks and screws. Make sure all the parts are tight and there are no gaps between the parts. This will help keep the unit square.
- Ask for assistance to flip around the previous assembly at its front edges.
- Pick up the upper back panel (A1) and align the pre-drilled holes against the upper long edge with the pilot holes on the back of top panel (N). Fasten it in place with the provided washer head screws (II).
- Using the pilot holes as a guide, align and attach the side back panels (B1) to the mantel frame with the washer head screws (II).

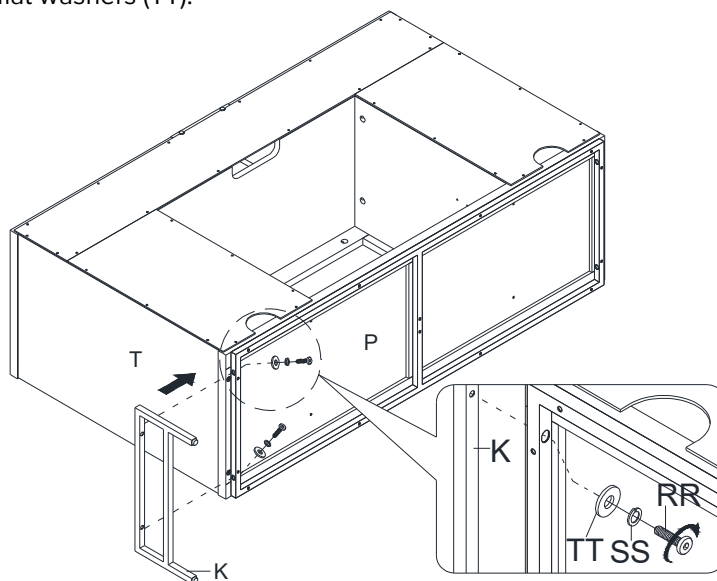


**NOTE:** We recommend attaching back panel with the screws at the corners first.



### 14 Attaching right leg

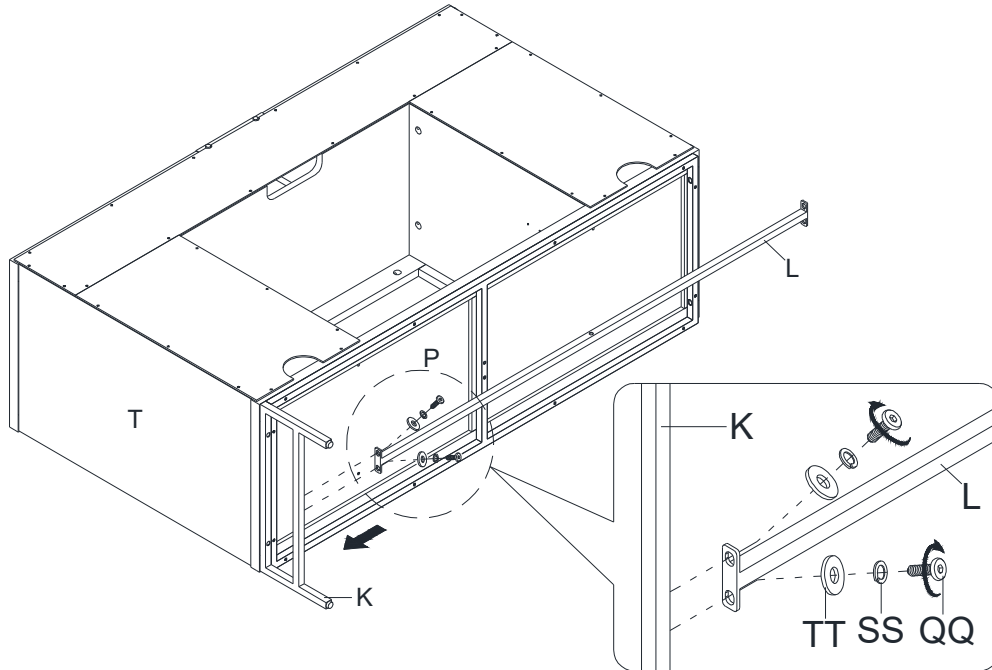
- Pick up one leg (K) and attach it to the right side rail of the bottom panel (P) using two medium bolts (RR), two lock washers (SS) and two flat washers (TT).



## Assembly (continued)

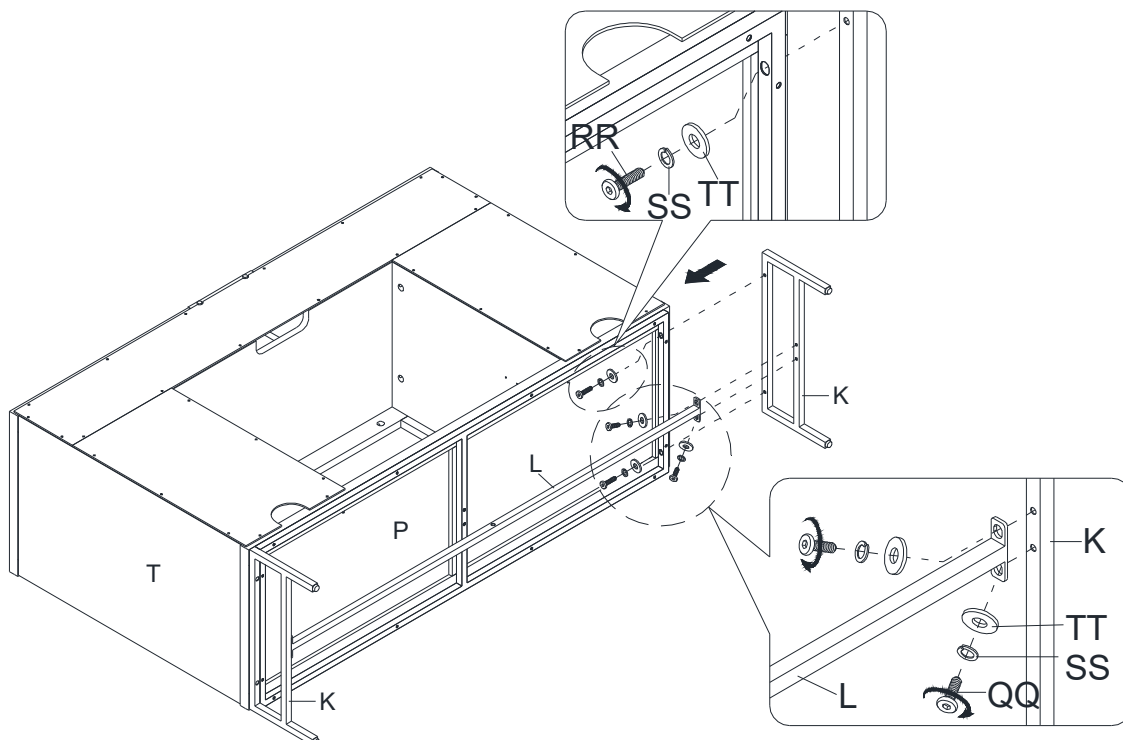
### 15 Attaching bottom stretcher

- Attaching bottom stretcher (L) to the right leg (K) using two small bolts (QQ), two lock washers (SS) and two flat washers (TT).



### 16 Attaching left leg

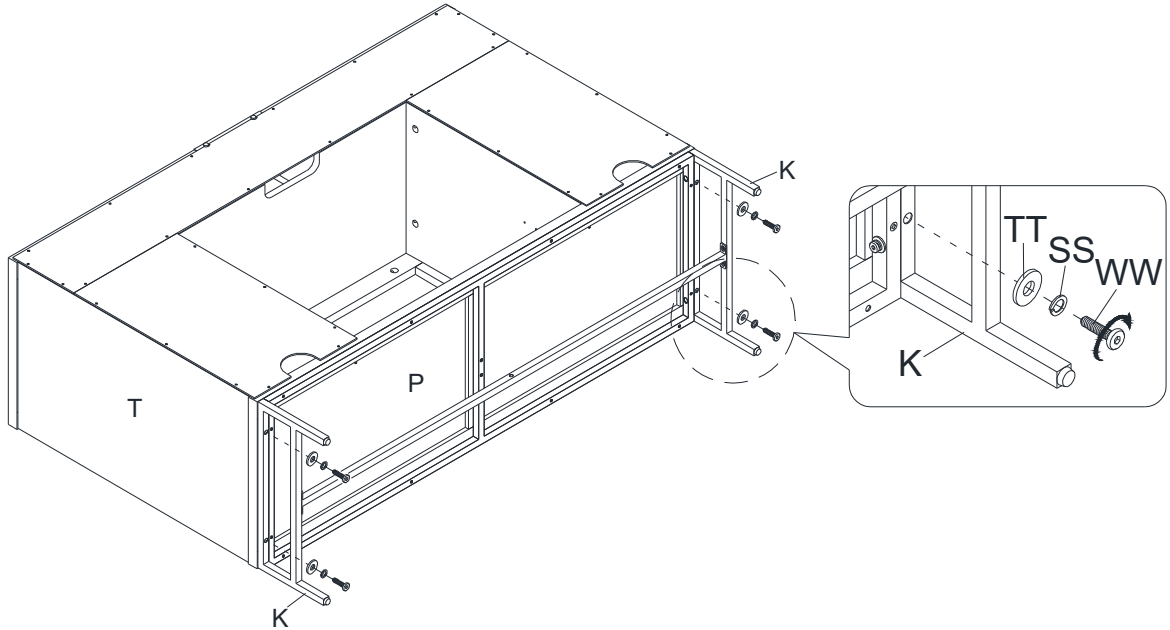
- Repeat the same procedure to attach the other leg (K) at the opposite end.



## Assembly (continued)

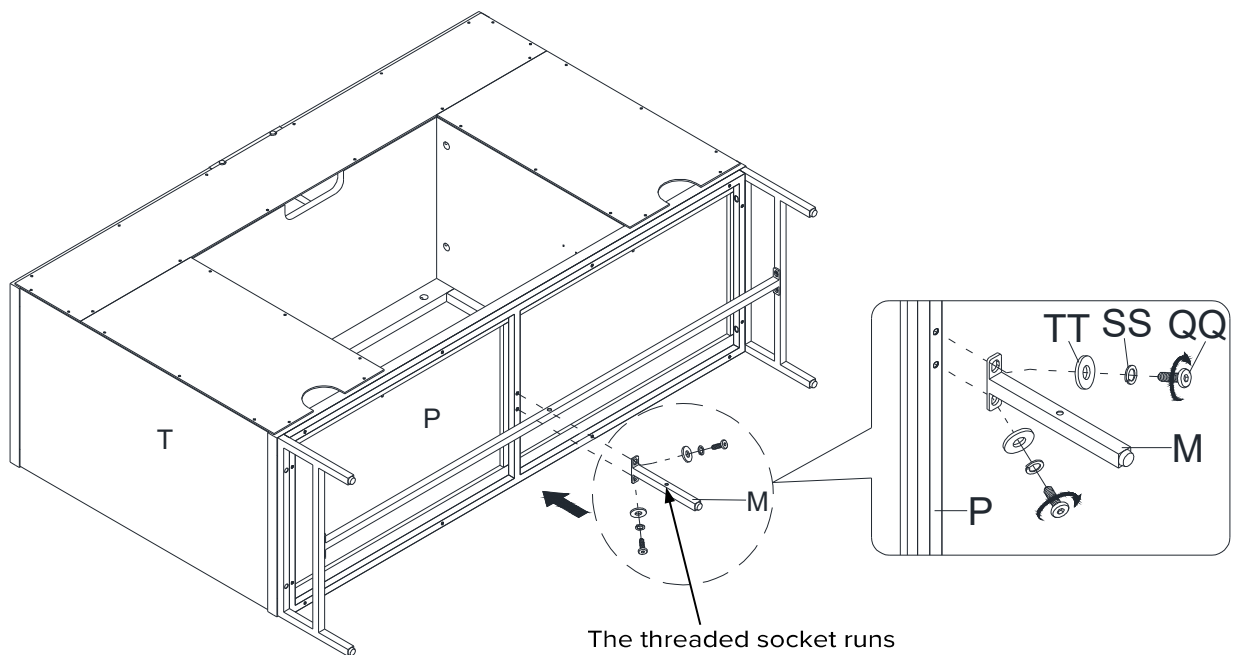
### 17 Fastening legs

- Insert four large bolts (WW) with the lock washers (SS) and flat washers (TT) through the top rails of both legs (K) and screw into the bottom panel (P).



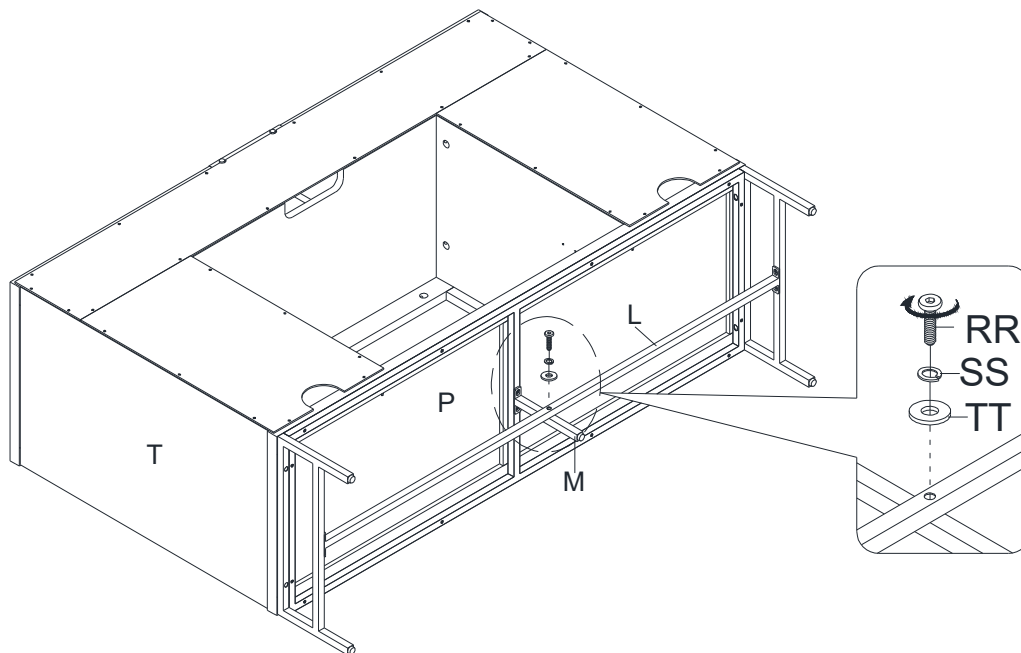
### 18 Attaching center leg

- Align and attach the center leg (M) to the middle rail on the bottom panel (P) with two small bolts (QQ), two lock washers (SS) and two flat washers (TT).
- Set the floor leveler to the correct height.



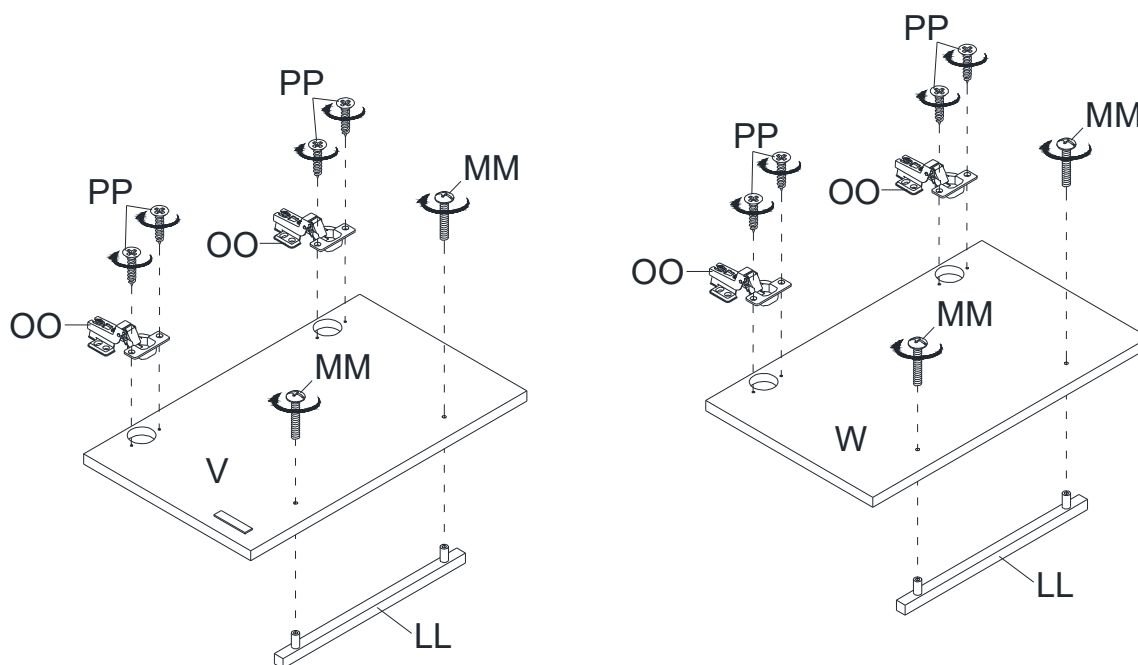
# 19 Fastening center leg

- Insert one medium bolt (RR), one lock washer (SS) and one flat washer (TT) through the bottom stretcher (L) and screw into the threaded inserts on the center leg (M).



# 20 Installing door hinges and handles

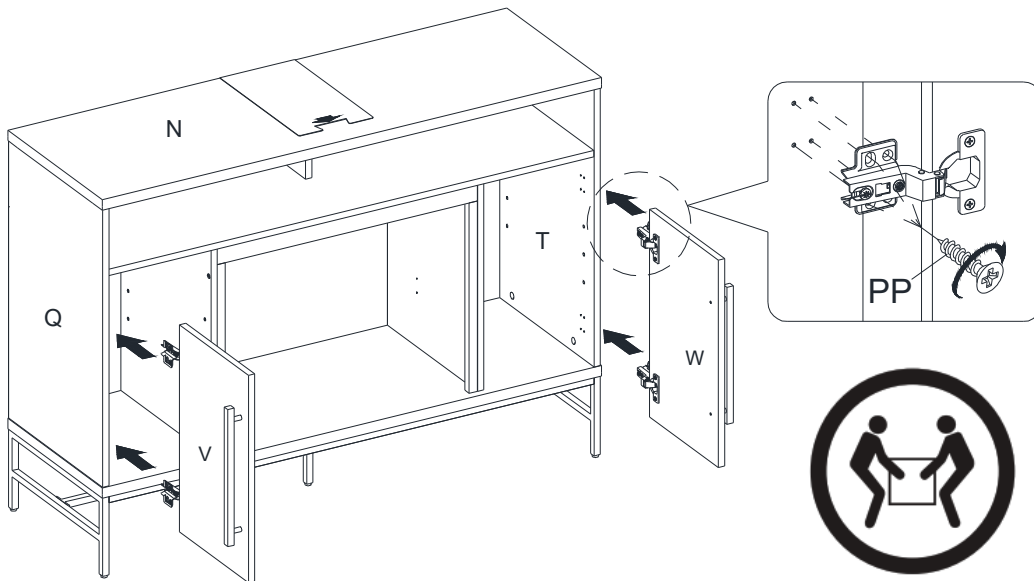
- Extend two door hinges (OO) and rest the hinge cups onto the cutouts of each door (V and W). Secure the door hinges (OO) in place by using two nickel screws (PP) in each hinge.
- Attach one handle (LL) to the front side of each door (V and W) with two handle bolts (MM).



## Assembly (continued)

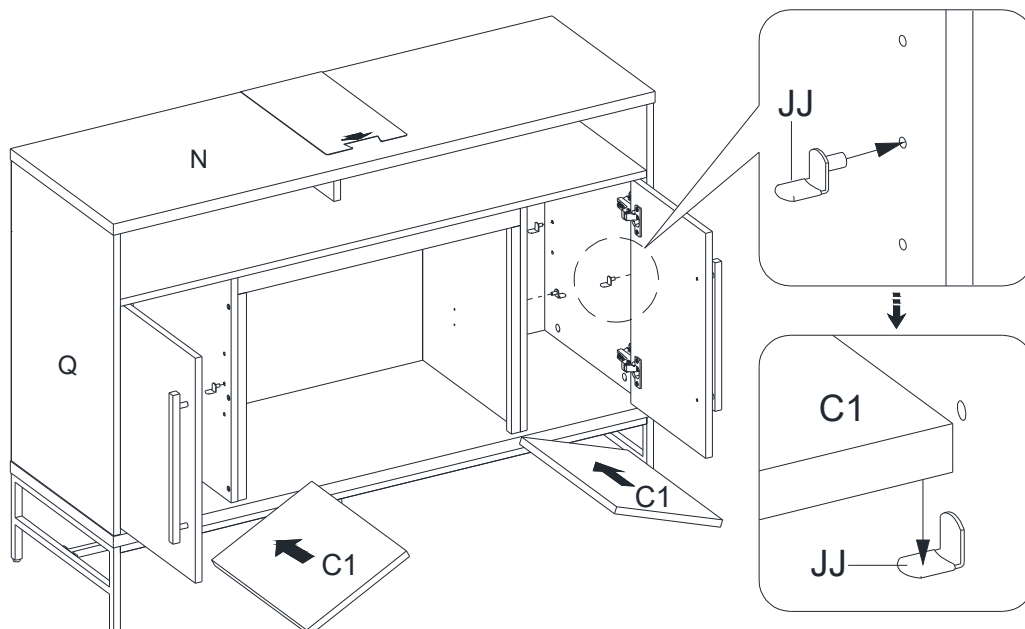
### 21 Attaching door panels

- Ask for assistance to lift the assembly unit upright and position it near the final location.
- Using the pilot holes as a guide, pick up the left door (V) and fasten the hinge bases onto the left side panel (Q) with eight nickel screws (PP).
- Repeat the same process with the right door (W).
- Open and close the doors to make sure they are aligned and shut correctly. If necessary, adjust the screws for a good fit. Refer to the hinge sticker on door for adjustment.



### 22 Installing adjustable shelves

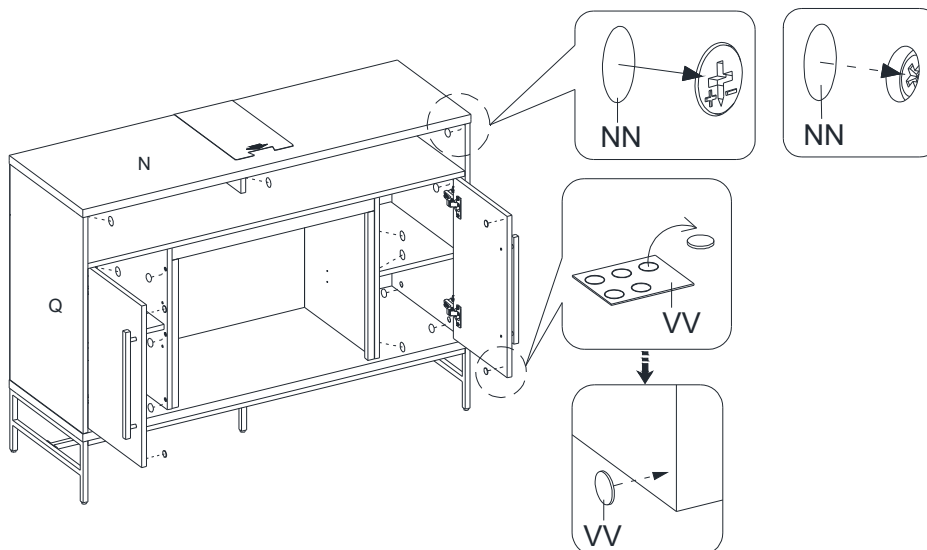
- Open the doors and insert four shelf supports (JJ) into the holes at the desired height inside each side compartment. Make sure you place the four shelf supports at the same level to make the shelf level.
- Tilt and rest the adjustable shelves (C1) onto the shelf supports (JJ).



## Assembly (continued)

### 23 Attaching paper stickers and rubber bumpers

- Put the paper stickers (NN) onto the visible cam locks and screws.
- Stick the rubber bumpers (VV) on the outer corners of doors where the lower partition panels (R and S) are in contact with.



### 24 Attaching upright arms

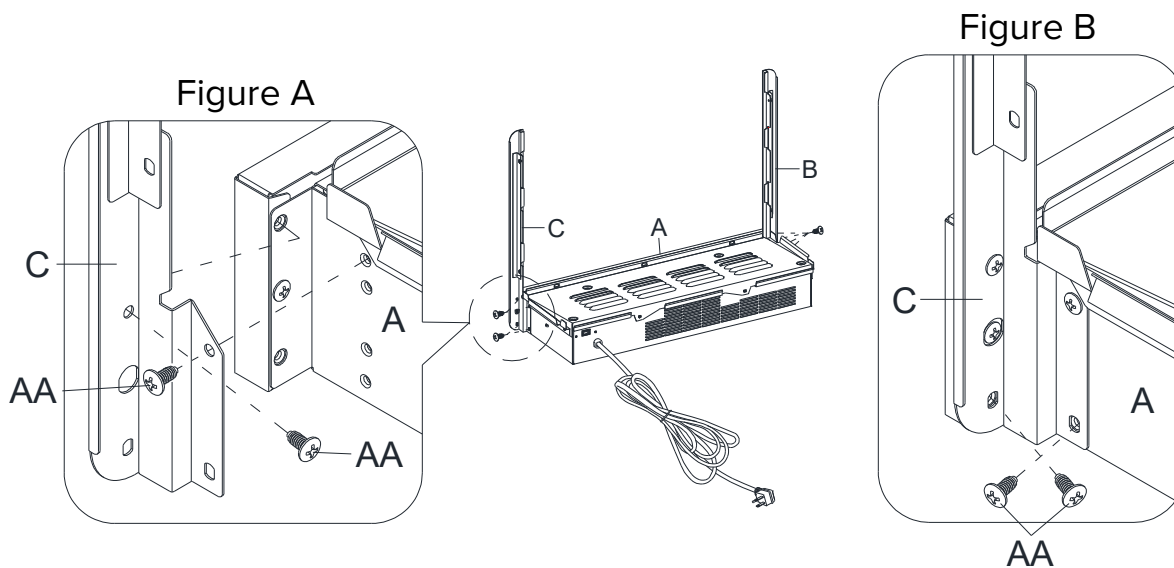


**NOTE:** Use hand screwdriver, not power driver to assemble fireplace insert. See BILT for video instructions.

- See [figure A](#): Fasten upper 2 screws (AA) through the upright arm (C) into the heater (A) until tight.
- See [figure B](#): Fasten lower 2 screws (AA) into the upright arm (C) until tight.
- Fully tighten all 4 screws (AA) one final time.
- Repeat the same process with upright arm (B).



**WARNING:** Do not lift or transport the heater by using the upright arms.





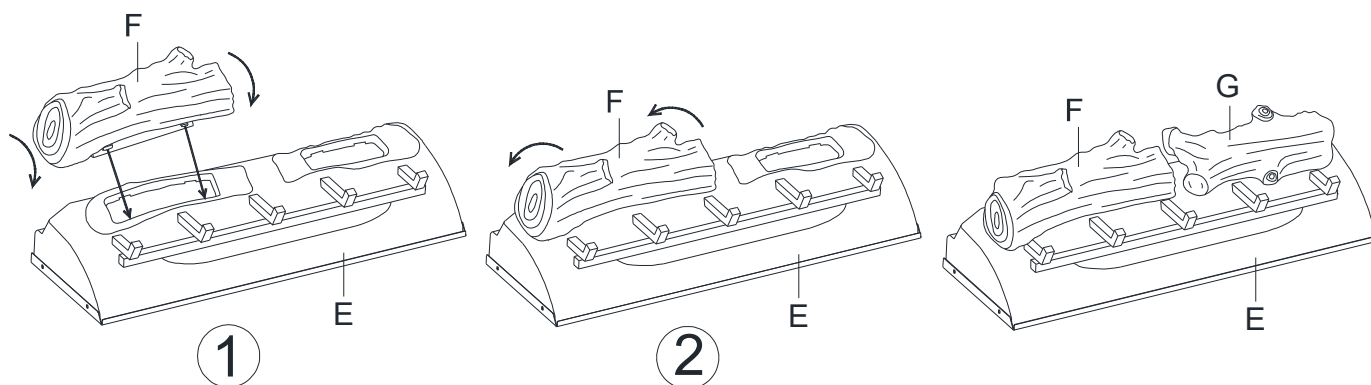
## Assembly (continued)

# 25 Attaching logs to ember bed



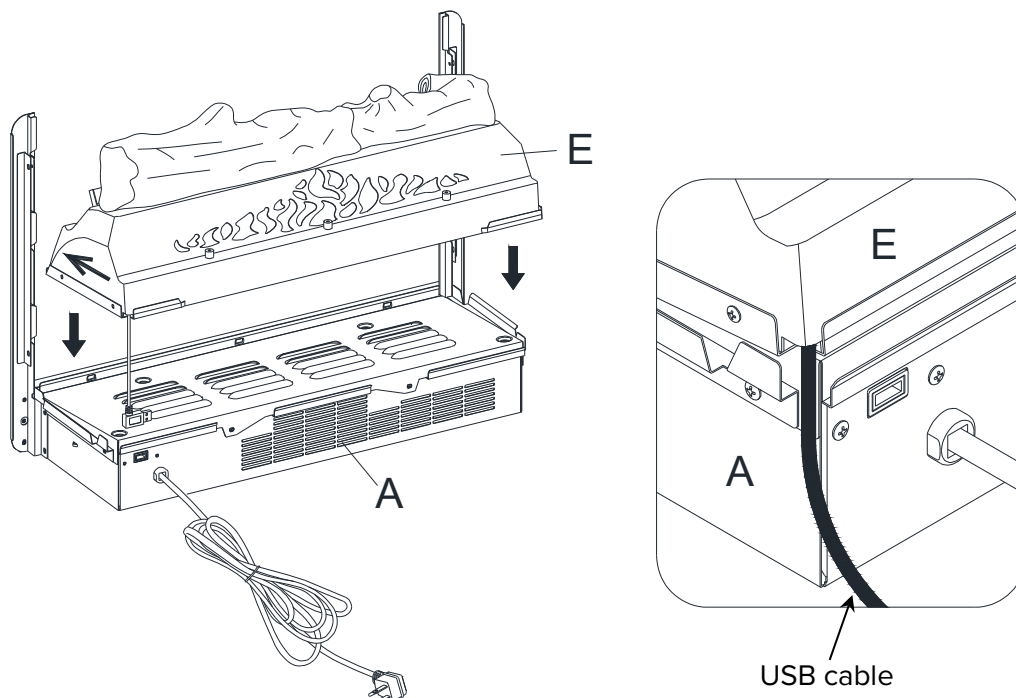
**IMPORTANT:** Carefully follow the 2 steps below for inserting each log.

1. Install left log (F) into left hole of ember bed (E) by inserting front edge of the log base into front notches of ember bed hole.
  2. Then tilt the log back to insert the rear edge of the log base into rear notches of ember bed hole (press down log firmly to lock into position).
- Repeat the above process for the right log (G).



# 26 Positioning ember bed

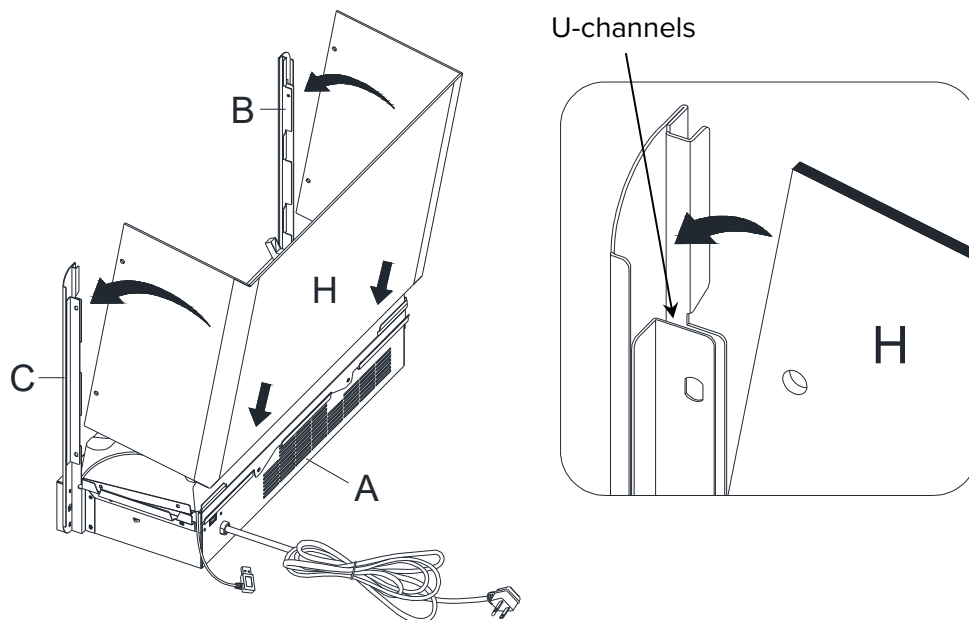
- Set the ember bed (E) onto the heater (A) as shown.
- Push ember bed forward against the front flange of heater.
- Position the USB cable as shown below.



## Assembly (continued)

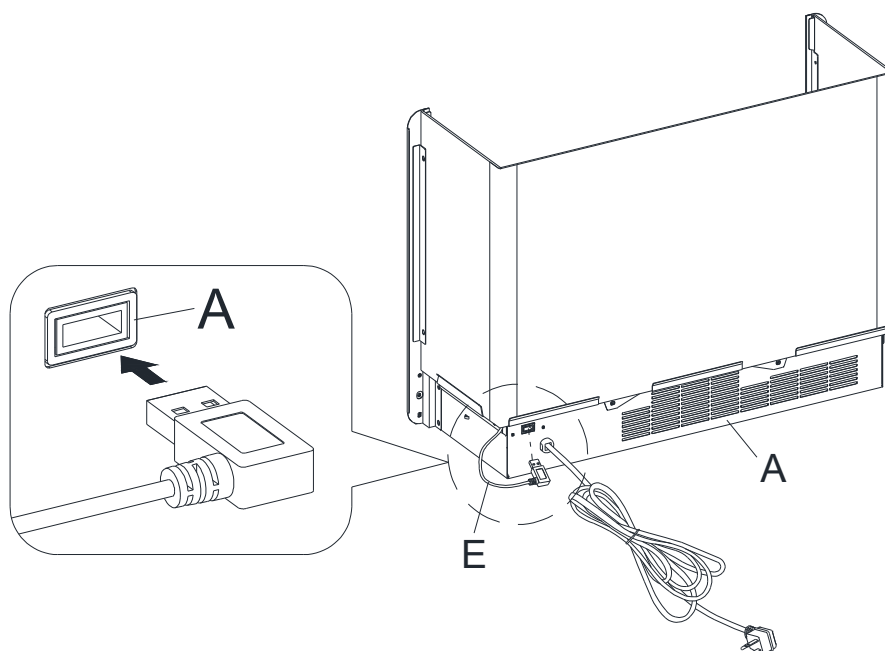
### 27 Attaching wall panel

- Fold the wall panel (H) as shown. Then position yourself at back side of heater (A).
- Hold wall panel (H) at the angle shown below and insert lower back edge into metal slots on back of heater (A).
- Tilt wall panel (H) forward until bottom corner inserts into lower U-channels on both upright arms (B and C).
- Continue to tilt wall panel (H) forward until the top corner inserts into upper U-channels on both upright arms (B and C).



### 28 Connecting ember bed cable to heater

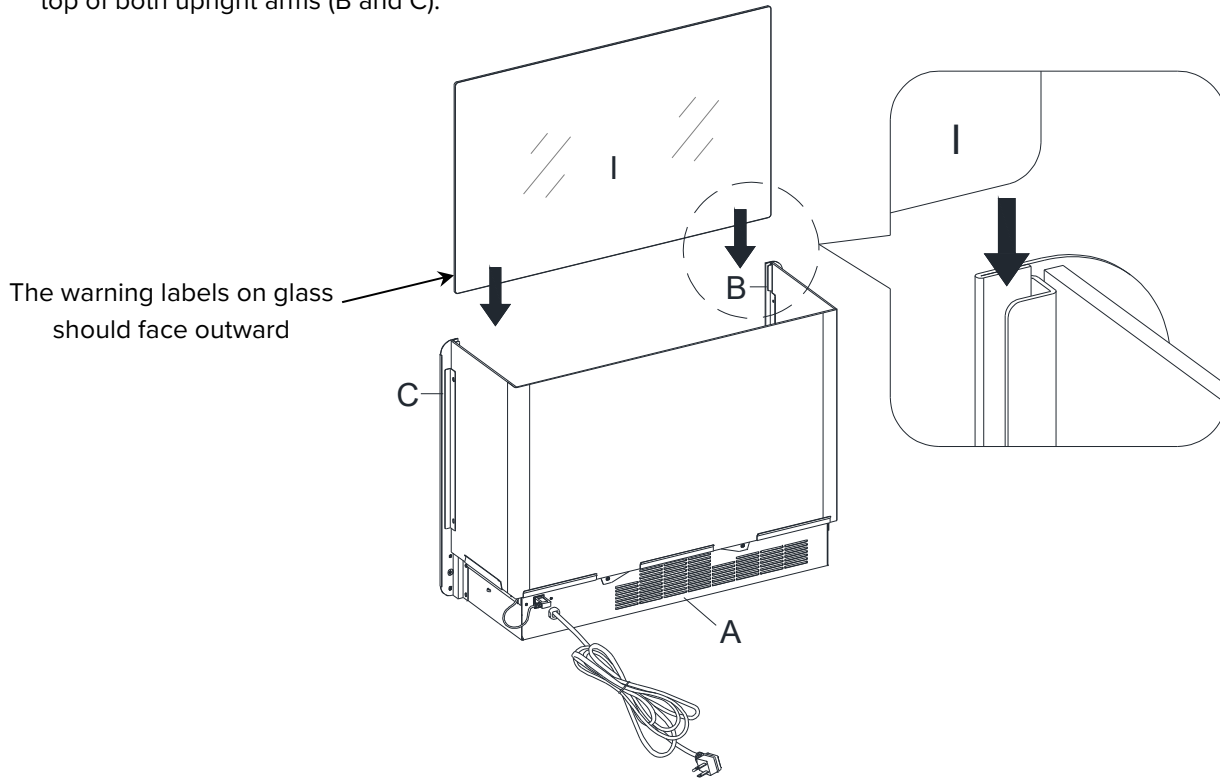
- Fully plug the USB connector of the ember bed (E) into the back port of heater (A).



## Assembly (continued)

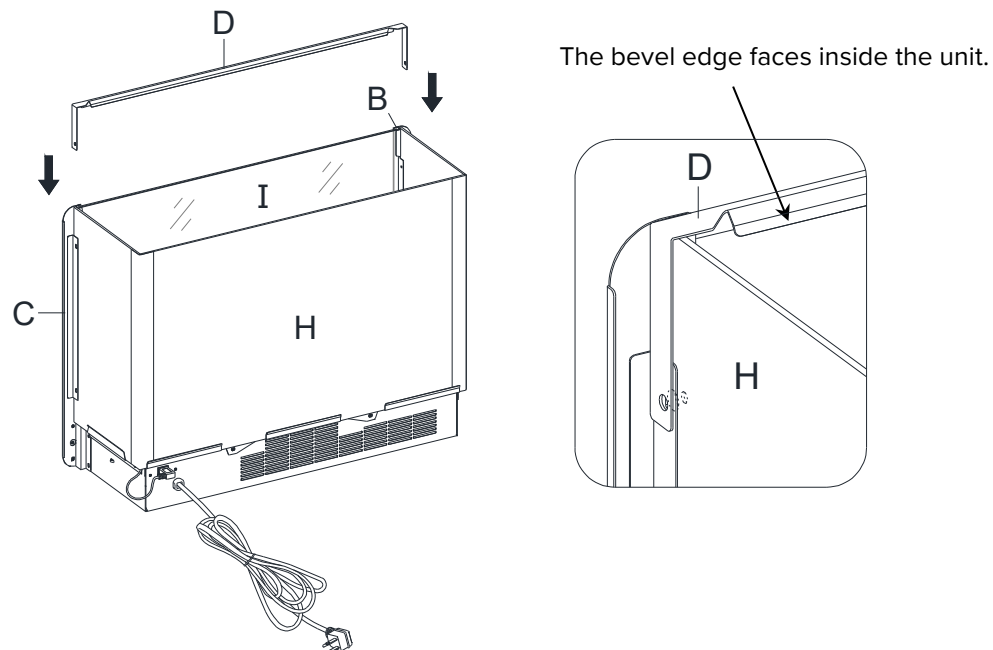
### 29 Inserting the glass

- Slide the glass (I) into the inner U-channels on both upright arms (B and C) until the glass sits onto the heater (A). If needed, push top of upright arms in or out to accommodate glass. Make sure the top of the glass (I) is flush with the top of both upright arms (B and C).



### 30 Positioning connector strap

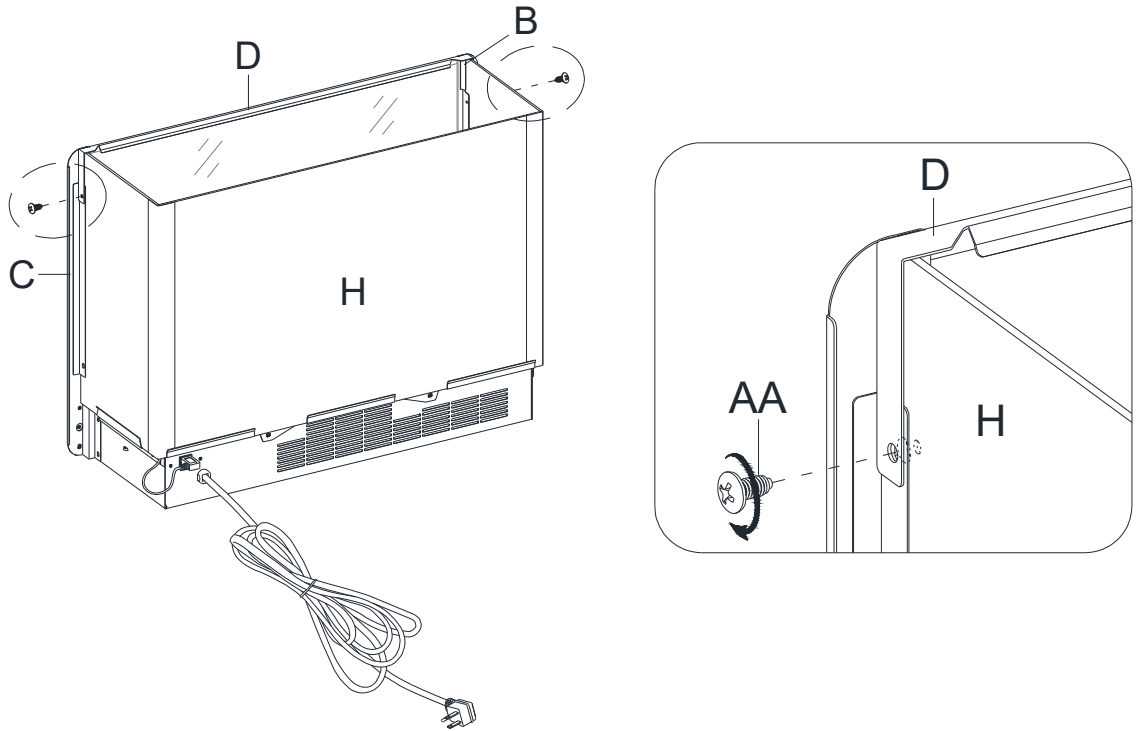
- Position top connector strap (D) over the glass (I) and upright arms (B and C). Follow orientation shown below.



## Assembly (continued)

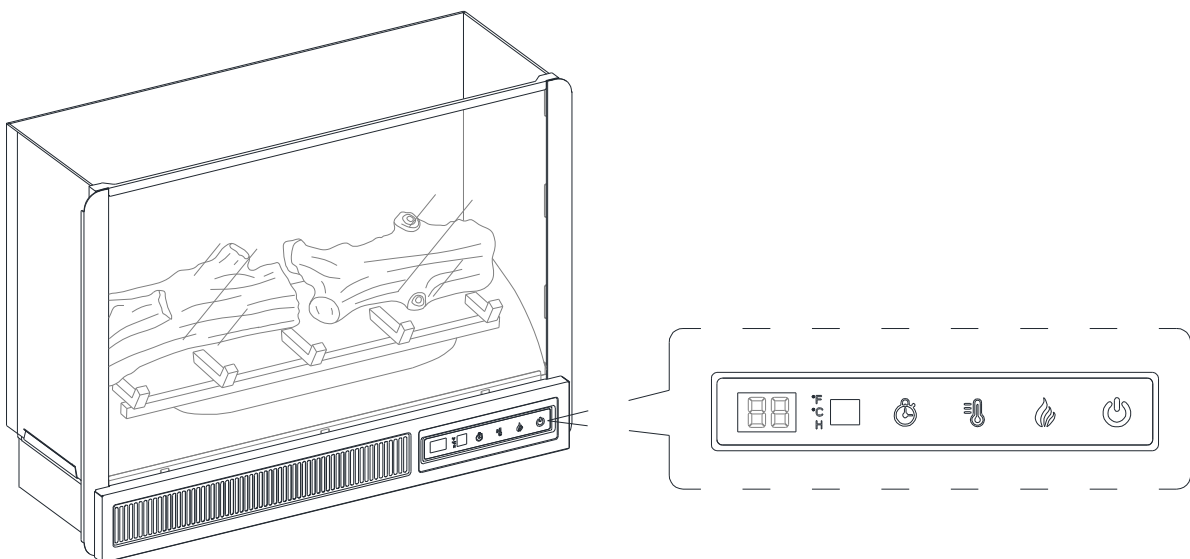
### 31 Attaching connector strap

- Fasten connector strap (D) to both upright arms (B and C) using two screws (AA) as show below. Holes must be in line for screw to pass through.



### 32 Finishing fireplace insert assembly

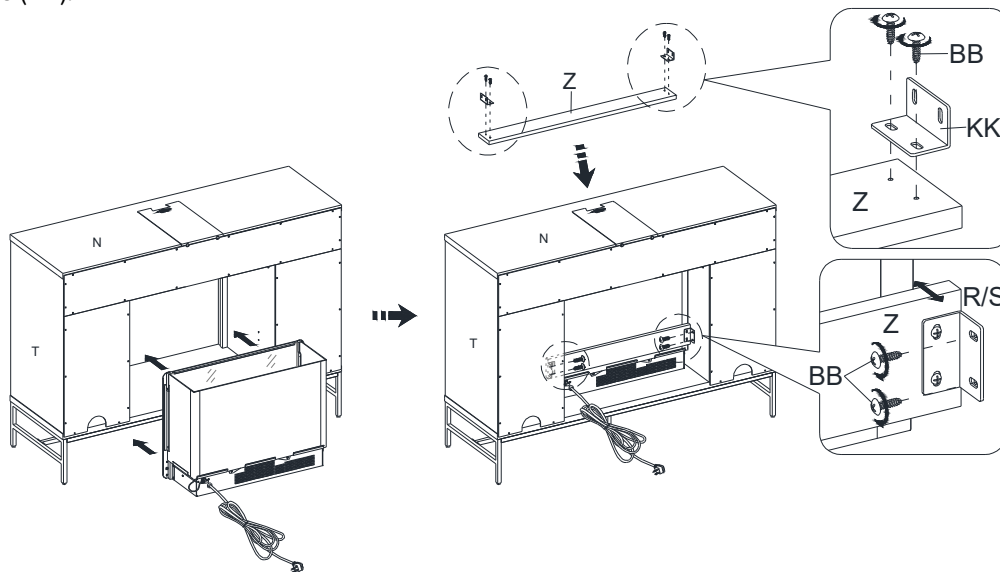
- The firebox is now ready for the next assemble step.



## Assembly (continued)

### 33 Installing fireplace insert

- Lift the fireplace insert carefully into the back of the assembled mantel and center it on the bottom panel in the opening.
- Use the pilot holes as a guide, fasten two L-shaped brackets (KK) onto the firebox support (Z) with four pan head screws (BB). Make sure that the right angle side is flush with the short edge of firebox support (Z).
- Use the pilot holes as a guide, fasten the firebox support (Z) between the partition panels (R and S) with four pan head screws (BB).



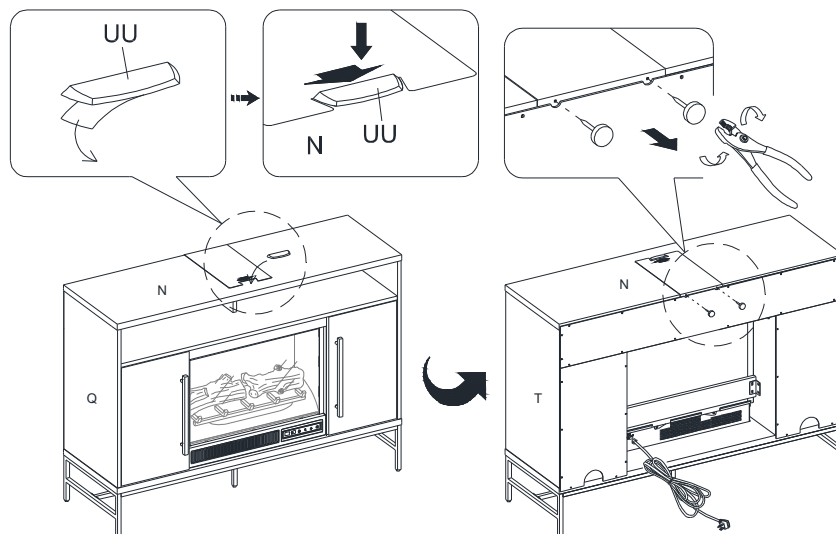
### 34 Installing the acrylic stopper

- Remove the paper backing of acrylic stopper (UU), then properly align the acrylic stopper into the cutout on the acrylic stopper template on the front of the top panel (N). Press down on the acrylic stopper to help adhesion.



**NOTE:** To prevent your TV from tipping, you must install the acrylic TV stopper if you place a flat panel television on the top panel. Otherwise, skip to next step.

- At the back of top panel (N), grip the heads of plastic tacks with pliers, with twisting motion pull tacks loose to remove the acrylic stopper template.



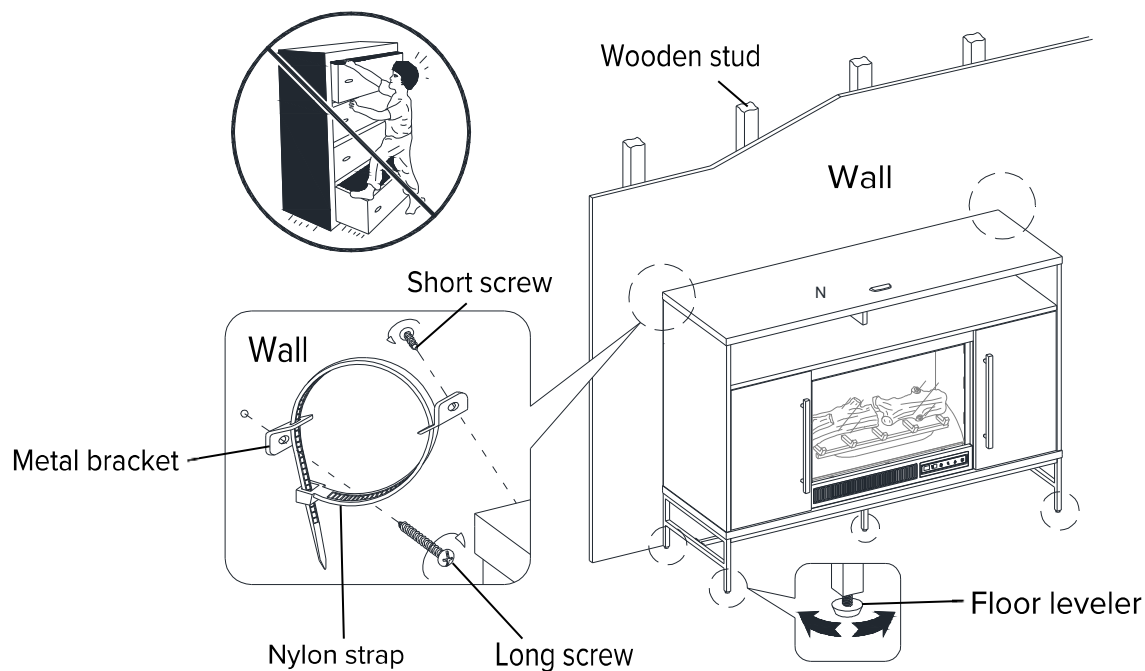
## Assembly (continued)

# 35 Installing the tipping restraint hardware



**WARNING:** Young children can be seriously injured by tipping furniture. You must install the tipping restraint hardware with the unit to prevent the unit from tipping, causing any accidents or damage. The tipping restraints are intended only as a deterrent, they are not a substitute for proper adult supervision. The tipping restraints are not earthquake restraints. If you wish to add the extra security of earthquake restraints, they must be purchased and installed separately.

- With assistance, position the assembled fireplace at the desired location against a wall. If necessary, adjust the pre-attached floor levelers by hand to correct tilting and level the doors, until the unit is level.
- Follow the instructions printed on the plastic bag containing the tipping restraint hardware to attach the tip-over restraints to the unit and the wall.
- Connect the fireplace to the power transformer. Follow the operating manual for the electric fireplace insert to control your fireplace.



## WARNING

- Unit must be placed on a level surface or leveled with included hardware (when applicable).
- Do not sit or stand on or allow children to climb, sit or stand on the assembled product.
- For safety reasons, it is imperative that this unit be mounted to the wall or floor.
- Unit can tip over causing severe injury or death.
- Never open more than one drawer at a time.
- Do not exceed the recommended weight limits.
- Before cutting, drilling or hammering into any wall or floor surface, verify the location of electrical, plumbing and gas lines. Cutting may cause serious injury.

# Care and Maintenance

A touch-up pen (not include for HDSLFP48L-1B) has been provided to minimize the small nicks or scratches that may occur during assembly or shipping.

To clean and care for your furniture:

- Use a soft, clean cloth that will not scratch the surface when dusting.
- Use of furniture polishes is not necessary. Should you choose to use polishes, test first in an inconspicuous area.
- Using solvents of any kind on your furniture may damage the finish.
- Never use water to clean your furniture as it may cause damage to the finish.
- Always use coasters under beverage glasses and flowerpots.
- Liquid spills should be removed immediately. Using a soft clean cloth, blot the spill gently. Avoid rubbing.
- Always use protective pads under hot dishes and plates. Heat can cause chemical changes that may create spotting within the furniture finish.
- In the event that your furniture is stained or otherwise damaged during use, we recommend that you call a professional to repair your furniture.
- Check bolts/screws periodically and tighten them if necessary.

## CARING FOR WOOD FURNITURE

It is best to keep your furniture in a climate-controlled environment. Extreme temperature and humidity changes can cause fading, warping, shrinking and splitting of wood. It is advised to keep furniture away from direct sunlight as sun may damage the finish.

Proper care and cleaning at home will extend the life of your purchase. Following these important and helpful tips will enhance your furniture as it ages.

## CLEANING THE FIREPLACE TRIM

Clean the metal trim using a soft cloth, slightly dampened with citrus oil-based product and buff with a clean soft cloth. **DO NOT** use brass polish or household cleaners as these products will damage the metal trim. Citrus oil-based products can be obtained at supermarkets or hardware stores.

SCOTT  LIVING™

BY DREW & JONATHAN

---



We're not happy unless you're happy, so we offer a 30-day Love It Guarantee. If for any reason you don't love your Scott Living product, you can return it to your place of purchase within 30 days of the date on your receipt for a full refund — no questions asked.

RETURN POLICY FOR CUSTOM ITEMS VARY. PLEASE CHECK WITH YOUR RETAILER FOR DETAILS.

---

Questions, problems, missing parts? Before returning to the store,  
call Customer Service

**1-866-942-5362**

Pacific Standard Time: 8:30 a.m. - 4:30 p.m., Monday - Friday

Or visit our web site 24 hours a day, 7 days a week for product assistance at

**[www.whalenfurniture.com](http://www.whalenfurniture.com)**

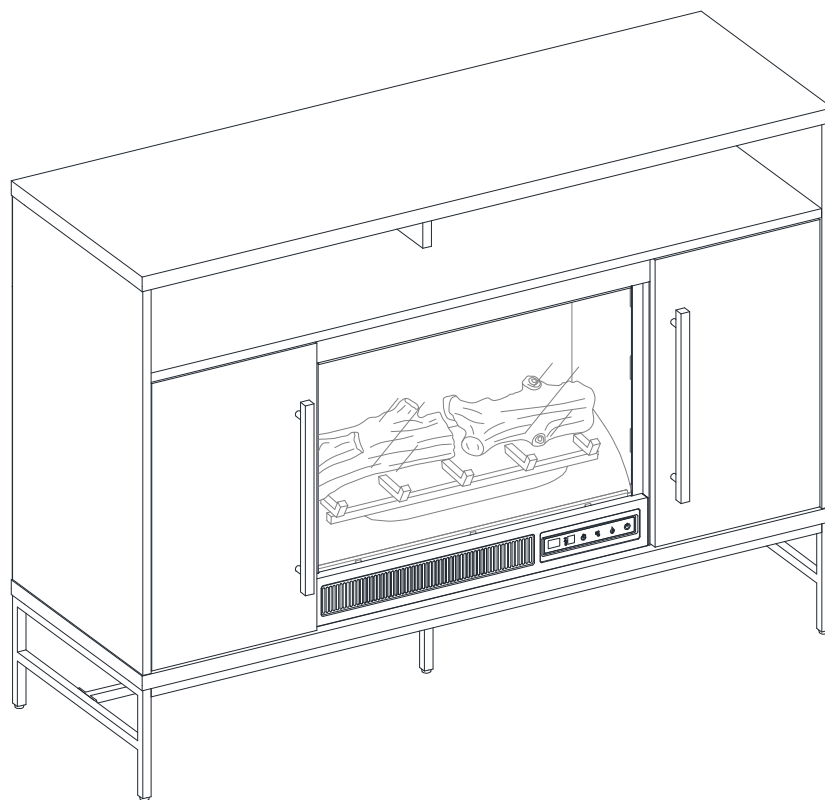
Or e-mail your request to **[parts@whalenfurniture.com](mailto:parts@whalenfurniture.com)**

**Retain this manual for future use.**



# INSTRUCTIONS DE MONTAGE

## MEUBLE MULTIMÉDIA DE 1,22 m AVEC FOYER ÉLECTRIQUE À INFRAROUGE KAPLAN



Vous avez des questions ou des problèmes? Certaines pièces sont manquantes? Avant de vous rendre au magasin, communiquez avec le service à la clientèle de

**1-866-942-5362**

Heure normale du Pacifique, entre 8 h 30 et 16 h 30, du lundi au vendredi

Vous pouvez également visiter notre site Web 24 heures par jour, 7 jours sur 7 pour obtenir de l'aide sur le produit

**[www.whalenfurniture.com](http://www.whalenfurniture.com)**

ou transmettre une demande par courriel à **[parts@whalenfurniture.com](mailto:parts@whalenfurniture.com)**

### MERCI

Nous apprécions la confiance que vous avez témoigné à Scott Living par Drew & Jonathan en achetant ce meuble. Nous nous efforçons continuellement de créer des produits de qualité pour votre maison. Visitez notre site web pour voir la gamme complète de produits que nous offrons pour satisfaire à vos besoins en matière d'amélioration du foyer.

Merci d'avoir choisi Scott Living par Drew & Jonathan!

# Table des matières

Table des matières.....	2	Matériel fourni.....	3
Consignes de sécurité.....	2	Contenu de l'emballage.....	4
Poids maximal supporté.....	2	<b>Assemblage.....</b>	<b>5</b>
Garantie.....	2	<b>Entretien.....</b>	<b>23</b>
Pré-assemblage.....	2	Entretien de votre meuble en bois.....	23
Plan de montage.....	2	Nettoyage de la garniture du foyer.....	23
Outils nécessaires.....	2		

## Consignes de sécurité

Veillez lire et comprendre ces instructions avant d'assembler et d'utiliser cette console. Conservez ces instructions pour toute référence future.

### POIDS MAXIMAL SUPPORTÉ

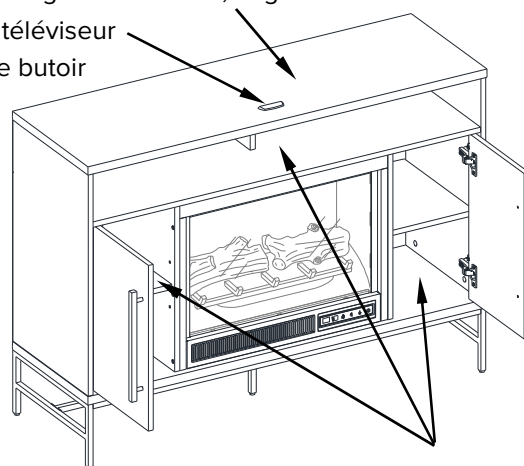


**AVERTISSEMENT :** Cette console n'est pas conçue pour supporter des téléviseurs à tube cathodique. Utilisez uniquement des téléviseurs à écran plat et des équipements audio/vidéo respectant les limites recommandées de taille et de poids. Ne l'utilisez jamais avec un téléviseur à écran plat plus grand ou plus lourd que ceux recommandés. Pour éviter l'instabilité, placez un téléviseur à écran plat au centre de l'appareil ; la base de la télévision doit pouvoir reposer sur la surface de support de l'appareil sans trop accrocher les bords. Des téléviseurs à écran plat mal positionnés, des téléviseurs à écran plat ou d'autres équipements dépassant les limites recommandées de taille et de poids peuvent tomber ou casser l'appareil, entraînant de graves blessures.

Convient à la plupart des téléviseurs à écran plat de 147,3 cm / 58 po.

Charge maximale 31,8 kg / 70 lb

Placez le téléviseur  
derrière le butoir



Charge maximale 22,7 KG / 50 lb

## Garantie

Nous croyons que vous serez pleinement satisfait de votre achat. Si ce produit comporte des défauts de fabrication ou de main-d'œuvre, ou qu'il s'avérerait défectueux dans le cadre d'un usage normal, nous le réparerons ou le remplacerons jusqu'à un (1) an à compter de la date d'achat.

La présente garantie vous donne des droits légaux spécifiques et vous pouvez également avoir d'autres droits, lesquels varient d'une région à l'autre.

Communiquez avec l'équipe du service à la clientèle au 1-866-942-5362 ou visitez le site [www.whalenfurniture.com](http://www.whalenfurniture.com).

## Pré-assemblage

### PLAN DE MONTAGE

Comparez toutes les pièces avec les listes du matériel inclus et du contenu du paquet. Si une pièce semble manquante ou endommagée, n'assemblez pas le produit et contactez l'équipe du service client au 1-866-942-5362.

### OUTILS NECESSAIRES



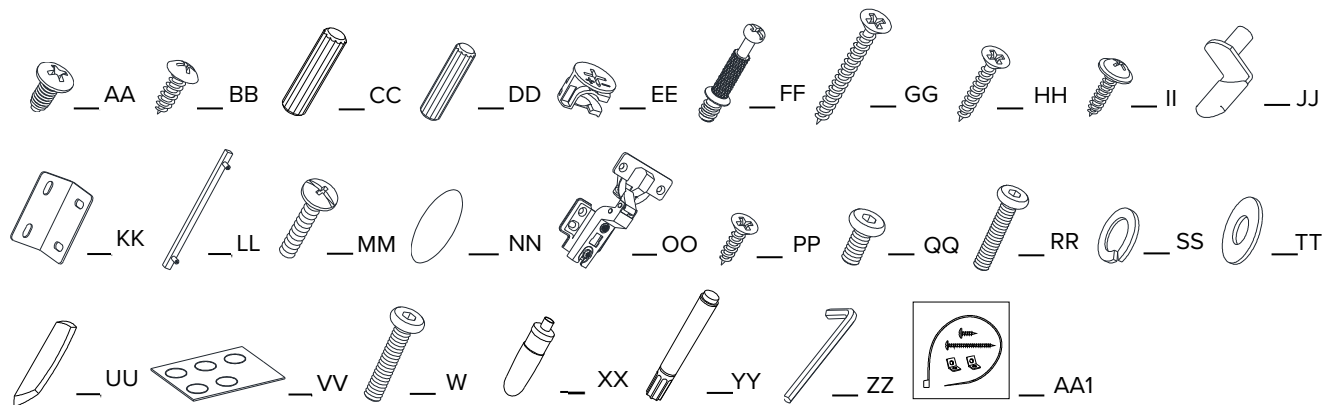
Tournevis  
cruciforme  
(non inclus)

# Pré-Assemblage (suite)

## MATÉRIEL FOURNI



**REMARQUE :** le matériel n'est pas affiché à l'échelle de grandeur réelle.

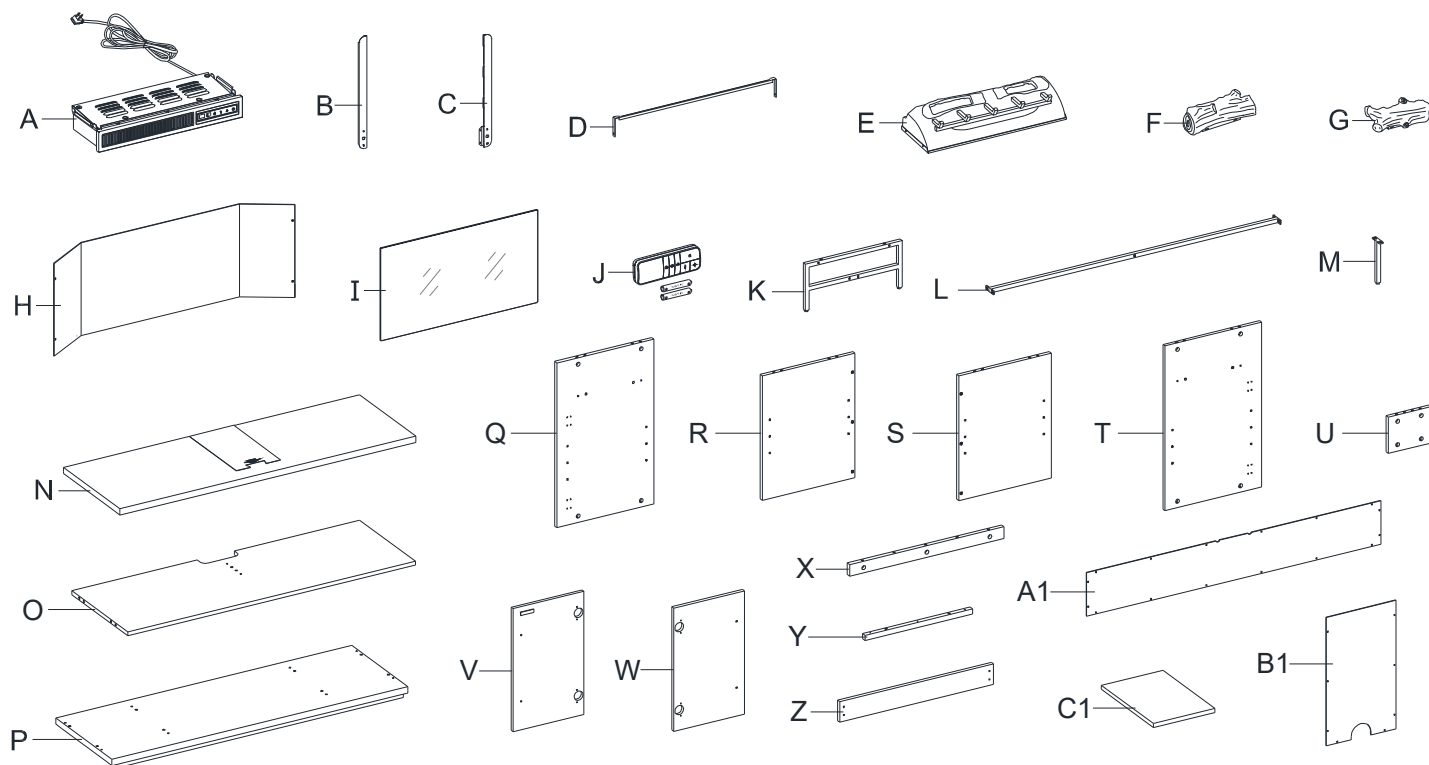


Pièce	Description	Quantité
AA	Vis de foyer	10+1 extra
BB	Vis à tête cylindrique	8+1 extra
CC	Chevilles en bois longue	26+1 extra
DD	Chevilles en bois courte	4+1 extra
EE	Verrou à came	23+1 extra
FF	Boulons à came	23+1 extra
GG	Vis à tête plate longue	4+1 extra
HH	Vis à tête plate courte	6+1 extra
II	Vis à tête ronde	32+1 extra
JJ	Support d'étagère	8+1 extra
KK	Support métallique en L	2
LL	Poignée	2
MM	Boulon de poignée	4
NN	Autocollants en papier	23+1 extra

Pièce	Description	Quantité
OO	Charnière	4
PP	Vis nickel pour charnière	24+1 extra
QQ	Petite boulon	6+1 extra
RR	Moyenne boulon	5+1 extra
SS	Rondelle de blocage	15+1 extra
TT	Rondelle plate	15+1 extra
UU	Bouchon en acrylique	1
VV	Pare-choc en caoutchouc	4+1 extra
WW	Grande boulon	4+1 extra
XX	Colle	1
YY	Stylo de retouche (Non inclus pour HDSLFP48L-1B)	1
ZZ	Clé hexagonale	1
AA1	Kit de quincaillerie de retenue de basculement	2

# Pré-assemblage (suite)

## CONTENU DE L'EMBALLAGE



Pièce	Description	Quantité
A	Radiateur	1
B	Bras verticaux gauche	1
C	Bras verticaux droit	1
D	L'attache du connecteur	1
E	Lit de braises	1
F	Bûches gauche	1
G	Bûches droite	1
H	Panneaux muraux du foyer	1
I	Verre du foyer	1
J	Télécommande avec batterie	1
K	Pied	2
L	Traverse inférieure	1
M	Pied centrale	1
N	Panneau supérieur	1
O	Étagère multimédia	1

Pièce	Description	Quantité
P	Panneau inférieur	1
Q	Panneau latéral gauche	1
R	Paroi gauche inférieure	1
S	Paroi droit inférieure	1
T	Panneau latéral droit	1
U	Paroi supérieur	1
V	Porte gauche	1
W	Porte droite	1
X	Barre transversale centrale	1
Y	Moulure centrale	2
Z	Support de foyer	1
A1	Panneau arrière supérieur	1
B1	Panneau arrière latéral	2
C1	Étagère réglable	2

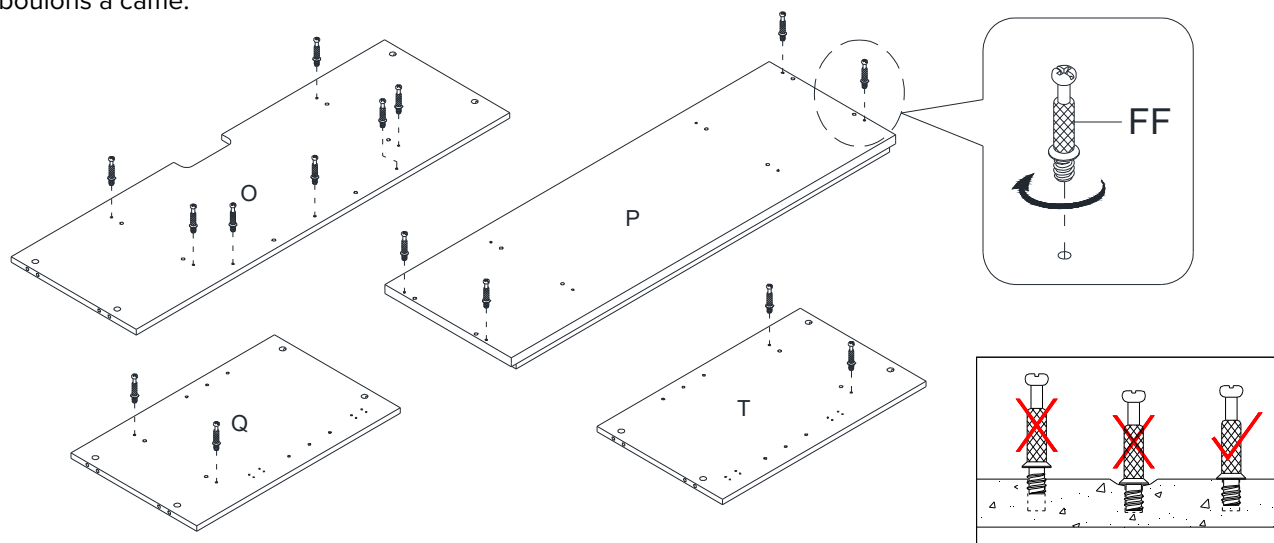
# Assemblage

## 1 Préparation de l'assemblage de l'étagère multimédia, de la base et des panneaux latéraux



**REMARQUE :** Ne pas complètement serrer les boulons avant d'avoir terminé l'assemblage de toutes les pièces. Une fois assemblées, revenir en arrière et serrer tous les boulons. Cela facilitera l'assemblage.

- Déballiez l'unité et vérifiez que vous disposez de tout le matériel et des pièces nécessaires. Assemblez l'unité sur un sol recouvert de moquette ou sur le carton vide pour éviter toute rayure.
- Vissez fermement les boulons à came (FF) dans les petits trous prévus à cet effet sur l'étagère multimédia (O), le panneau inférieur (P) et les panneaux latéraux (Q et T) à l'aide d'un tournevis cruciforme. **NE SERREZ PAS** trop les boulons à came.

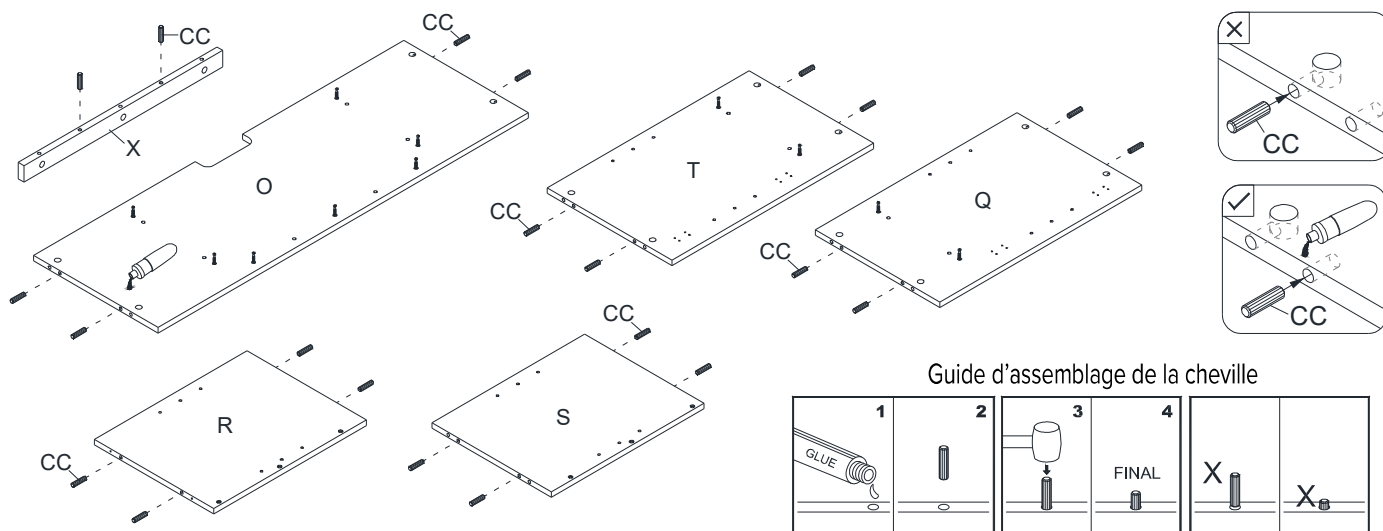


## 2 Coller les chevilles de bois



**REMARQUE :** Reportez-vous aux dessins du guide d'assemblage des chevilles dans cette étape pour plus de précisions sur la façon de coller correctement les chevilles en bois. Appliquez cette méthode chaque fois que vous demandez d'installer des chevilles en bois. Il est essentiel d'utiliser une petite quantité de colle des deux côtés de la cheville en bois et essuyez immédiatement l'excédent de colle avec un chiffon humide.

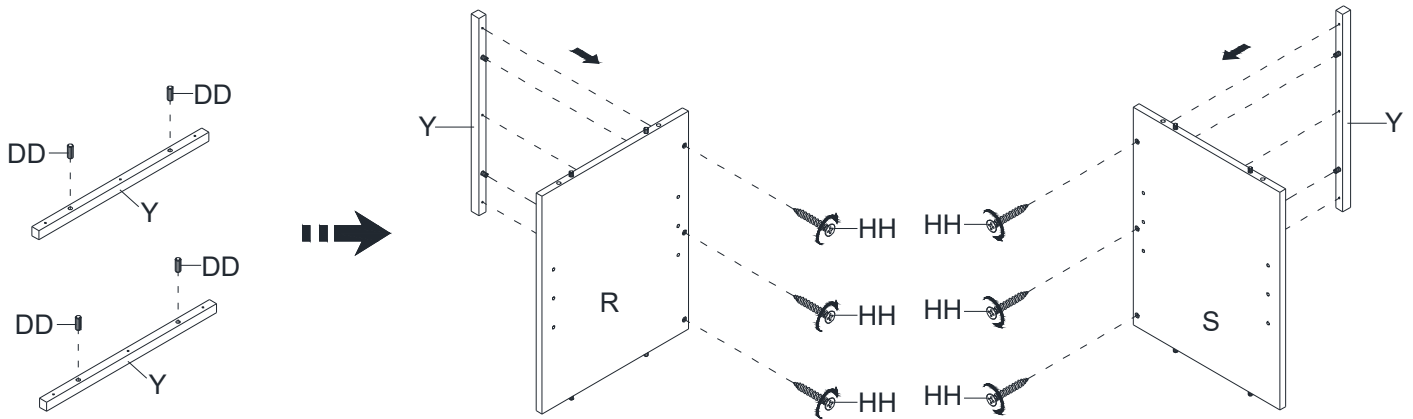
- Collez les chevilles en bois longue (CC) dans les trous intérieurs des l'étagère multimédia (O), les panneaux latéraux (Q et T), les parois inférieures (R et S) et la barre transversale centrale (X) comme illustré.



## Assemblage (suite)

### 3 Fixer moulures centrales

- Collez deux petites chevilles en bois (DD) dans les trous intérieurs de chaque moulure centrale (Y).
- Fixez les moulures centrales (Y) aux les parois inférieurs (R et S) respectivement à l'aide de trois vis à tête plate courtes (HH) pour chaque moulure.

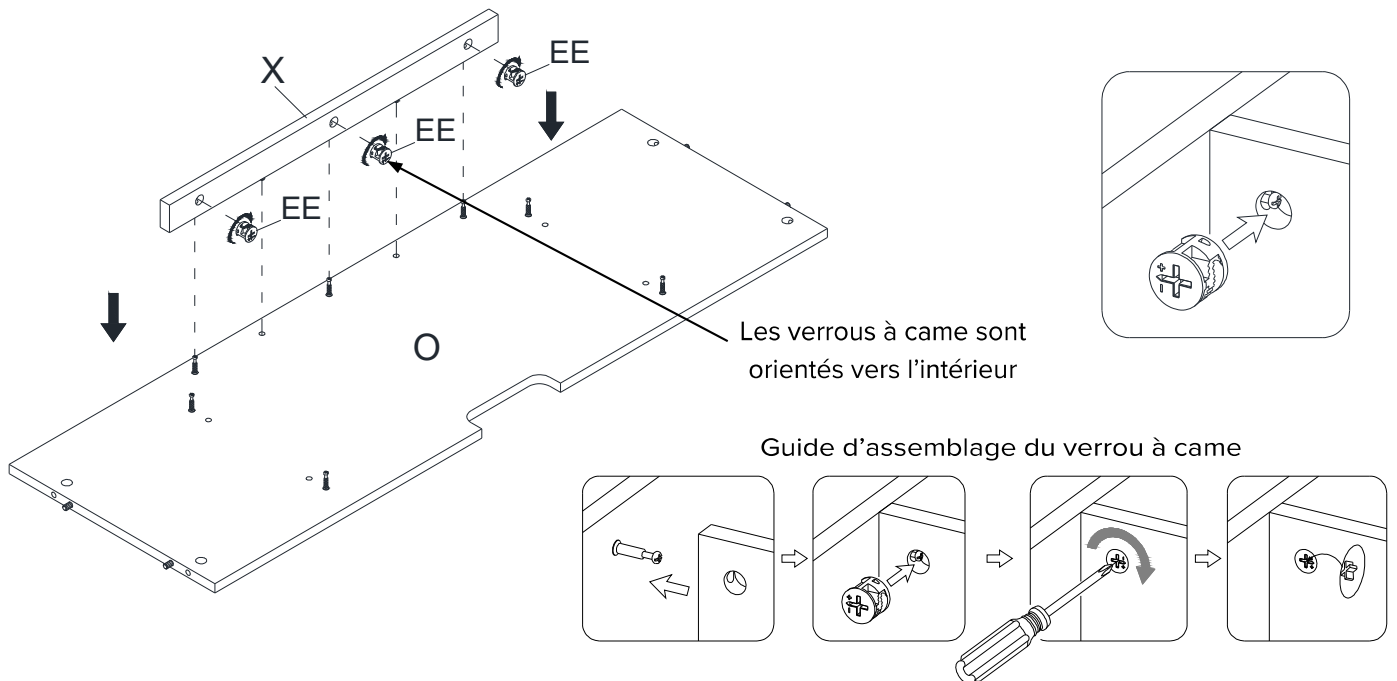


### 4 Fixation de la traverse centrale



**Remarque :** Reportez-vous aux dessins du guide d'assemblage des verrous à came dans cette étape pour plus de précisions sur la façon d'installer correctement les verrous à came. Appliquez cette méthode chaque fois que vous demandez d'installer des verrous à came.

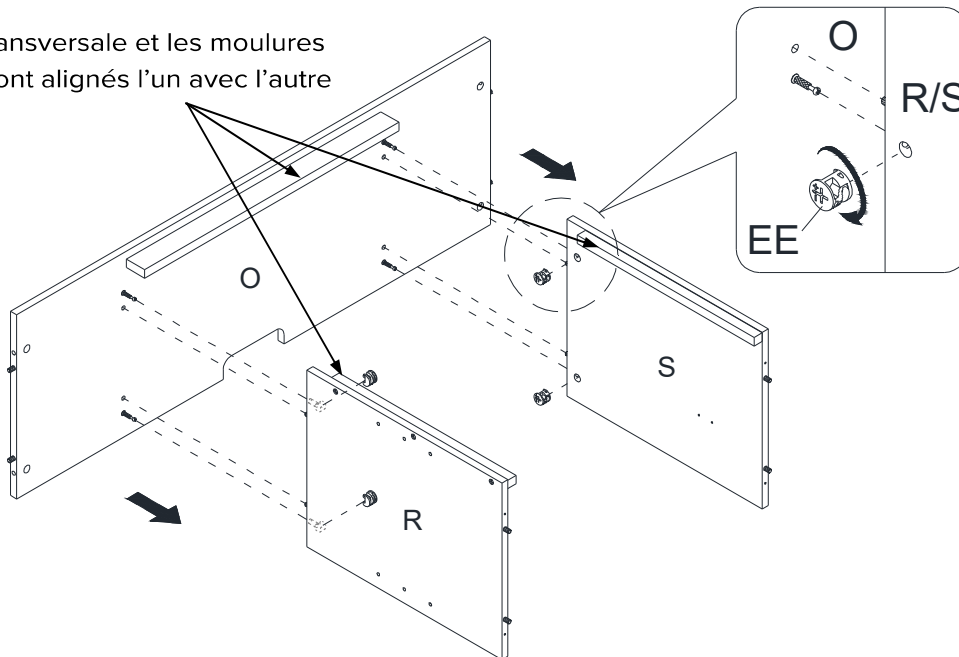
- Fixez la traverse centrale (X) à la tablette multimédia (O) en engageant trois verrous à came (EE).



### 5 Fixation des parois inférieures

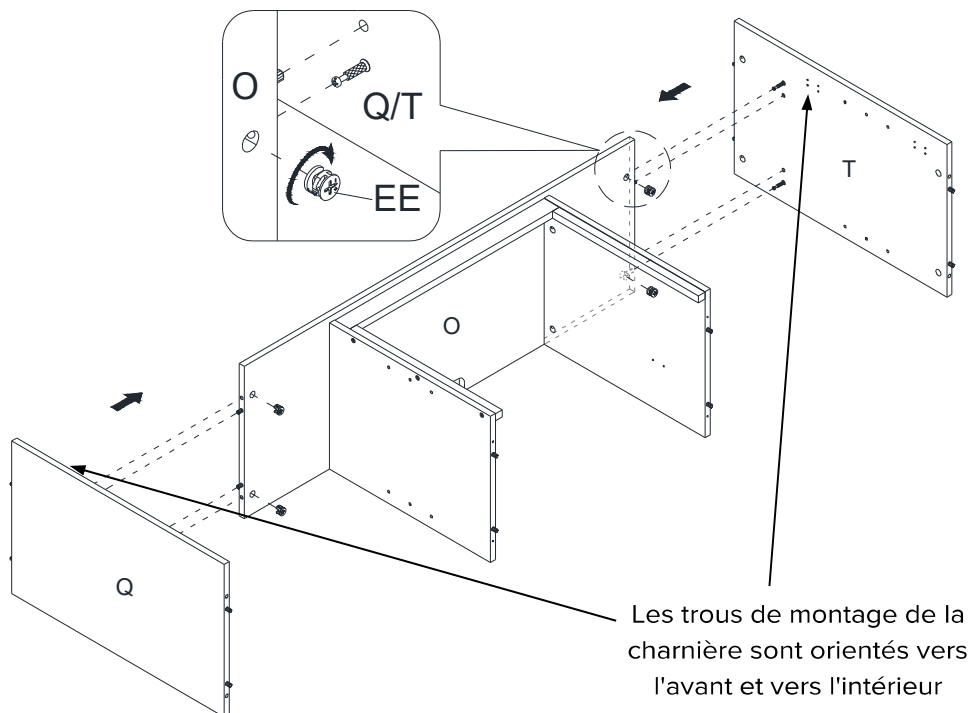
- Fixez les parois inférieures assemblées (R et S) à l'étagère multimédia (O) en engageant quatre verrous à came (EE) comme illustré.

La barre transversale et les moulures centrales sont alignés l'un avec l'autre



### 6 Fixation des panneaux latéraux

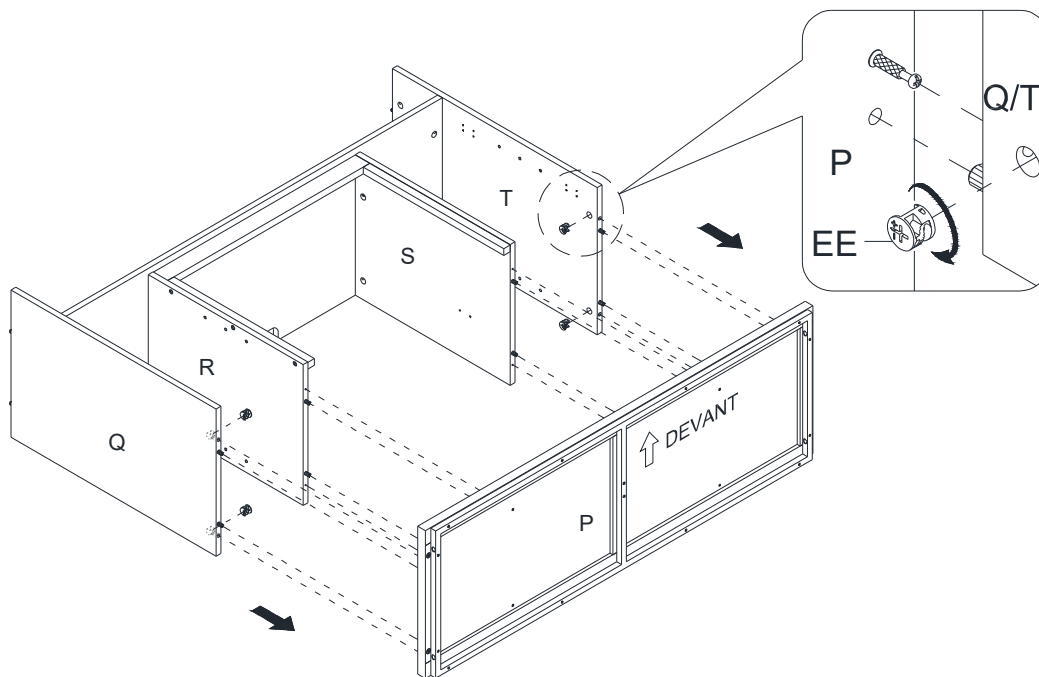
- Alignez et fixez le panneau latéral gauche (Q) à l'étagère multimédia (O) en engageant deux verrous à came (EE).
- Répétez la même procédure avec le panneau latéral droit (T).



## Assemblage (suite)

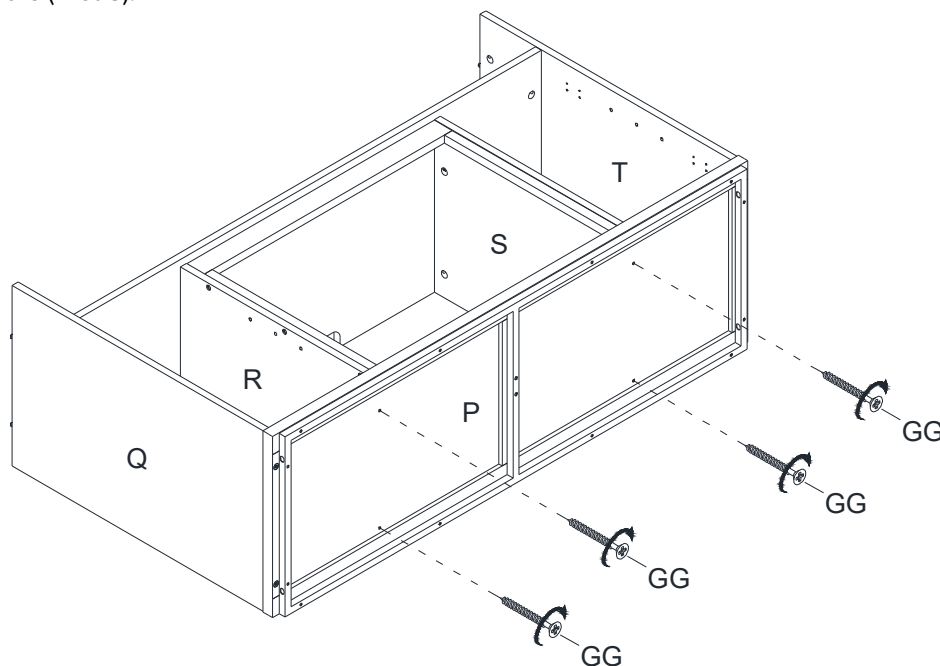
### 7 Fixation du panneau inférieur

- En utilisant les chevilles en bois comme guide, appuyez fermement le panneau inférieur (P) sur les panneaux verticaux (Q, R, S et T).
- Fixez les panneaux latéraux (Q et T) au panneau inférieur (P) en engageant quatre verrous à came (EE).



### 8 Fastening partition panels

- Insérez quatre longues vis à tête plate (GG) à travers le panneau inférieur (P) et vissez-les solidement dans les parois inférieures (R et S).

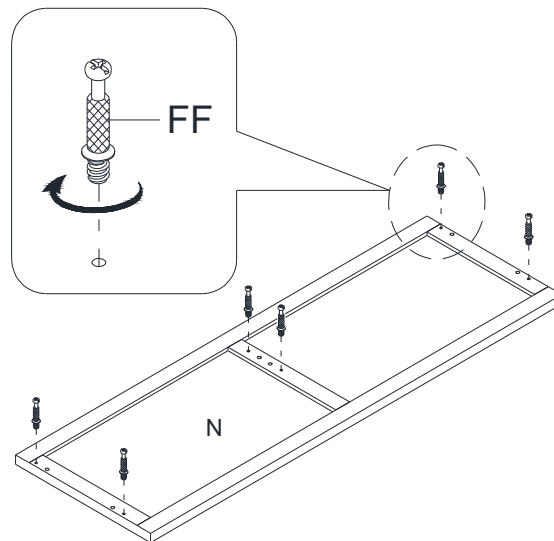
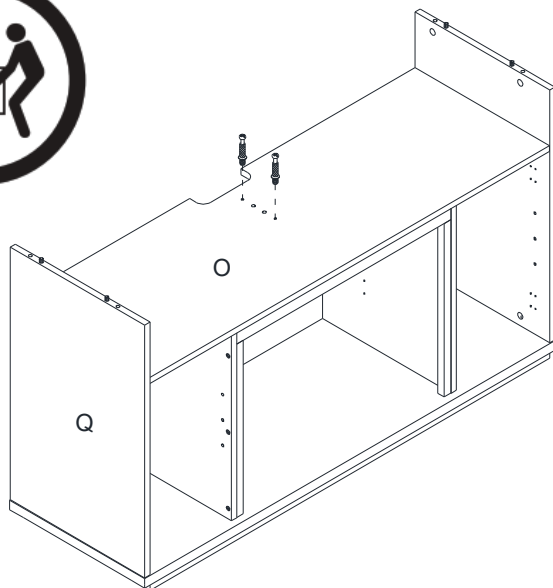




## Assemblage (suite)

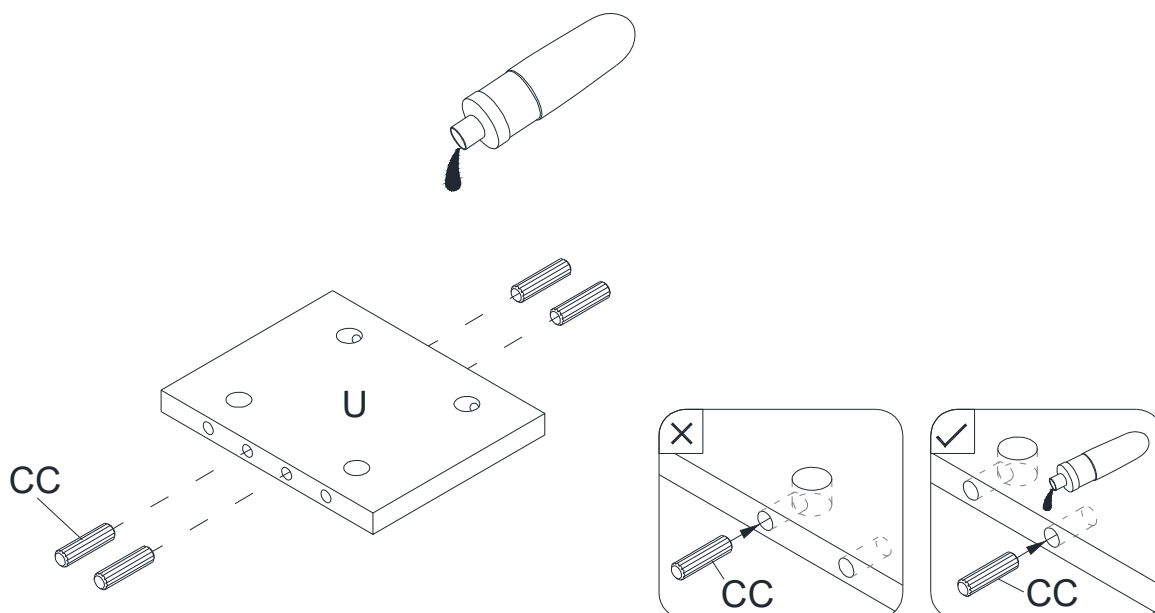
### 9 Préparation de l'assemblage du panneau supérieur

- Demandez de l'aide pour soulever l'unité d'assemblage à la verticale.
- Vissez solidement les boulons à came (FF) dans les petits trous désignés sur la surface supérieure de l'étagère multimédia (O) et le panneau supérieur (N) à l'aide d'un tournevis cruciforme.



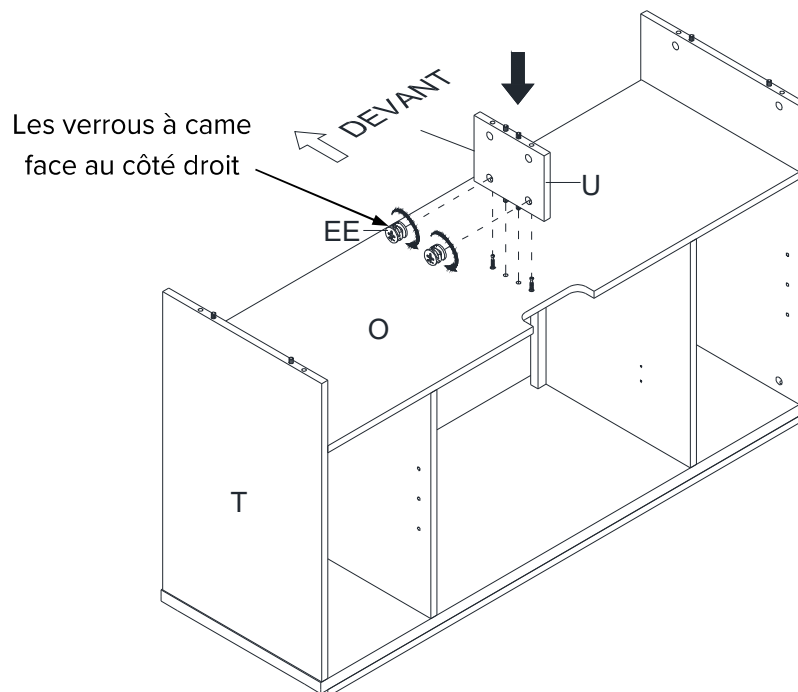
### 10 Collage des chevilles en bois

- Collez les grandes chevilles en bois (CC) dans le paroi supérieur (U), comme indiqué.



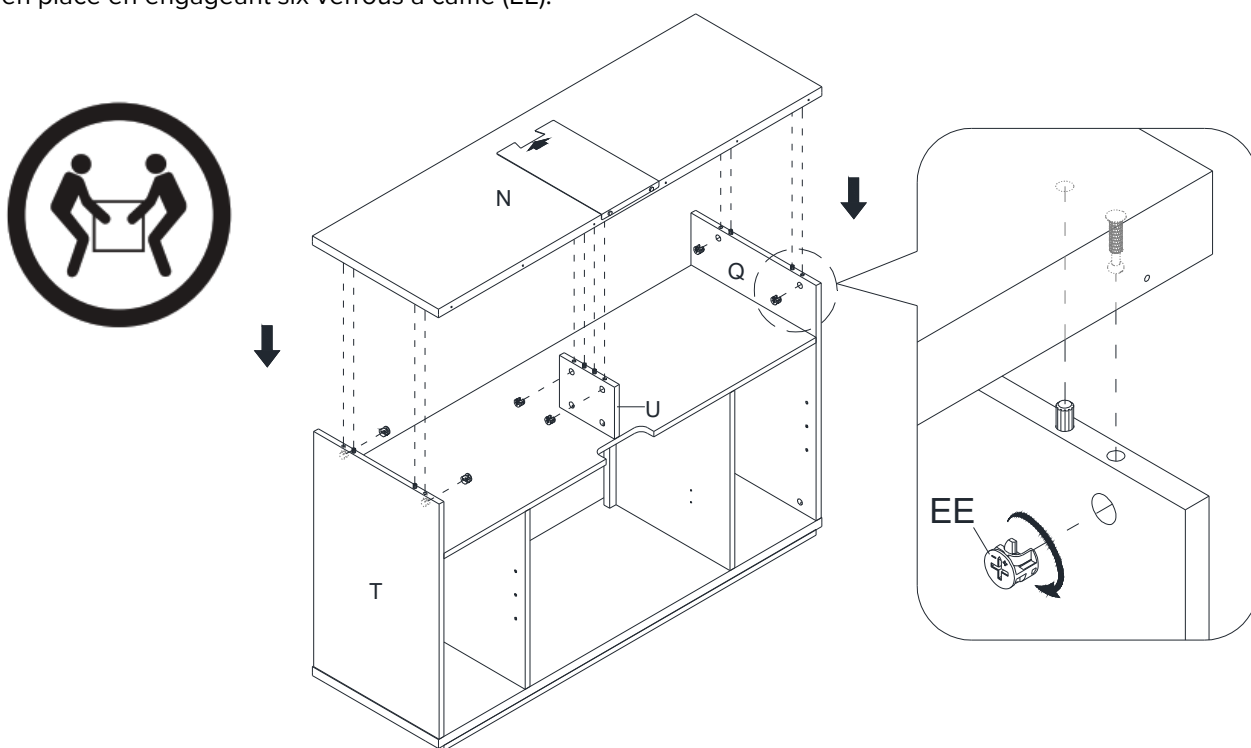
### 11 Fixation du paroi supérieur

- Orientez et fixez le paroi supérieur assemblé (U) à l'étagère multimédia (O) à l'aide de deux verrous à came (EE).



### 12 Fixation du panneau supérieur

- Alignez et fixez le panneau supérieur (N) sur les deux panneaux latéraux (Q et T) et le paroi supérieur (U) et fixez-les en place en engageant six verrous à came (EE).

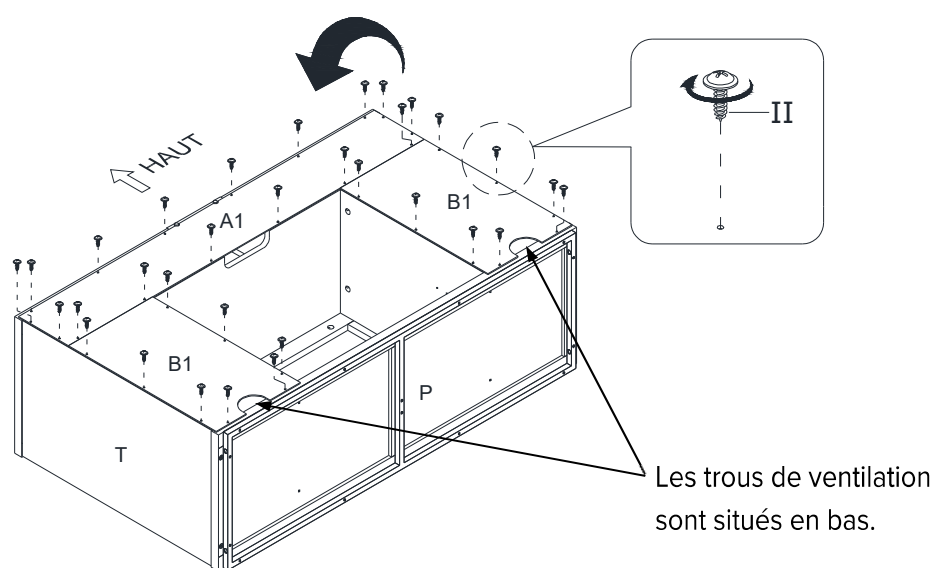


### 13 Installation des panneaux arrière

- Maintenant, revenez et serrez fermement tous les vis et verrous à cames. Assurez-vous que toutes les pièces sont bien serrées et qu'il n'y a pas d'espace entre les pièces. Cela permettra de maintenir l'unité à l'équerre.
- Demandez de l'aide pour déposer l'unité sur son bord avant, comme illustré.
- Soulevez le panneau arrière supérieur (A1) et alignez les trous pré-perçés contre le bord long supérieur avec les trous pilotes sur la civière arrière du panneau supérieur (N). Fixez-le en place à l'aide des vis à tête ronde (II) fournies.
- En utilisant les trous pilotes comme guide, alignez et fixez les panneaux arrière inférieurs (B1) au manteau avec les vis à tête ronde (II) fournies.

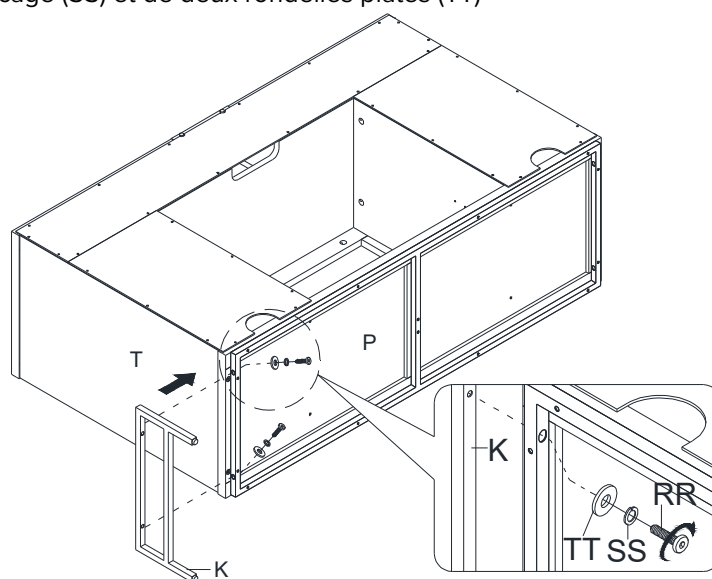


**REMARQUE:** Nous recommandons de fixer d'abord le panneau arrière avec des vis dans les coins.



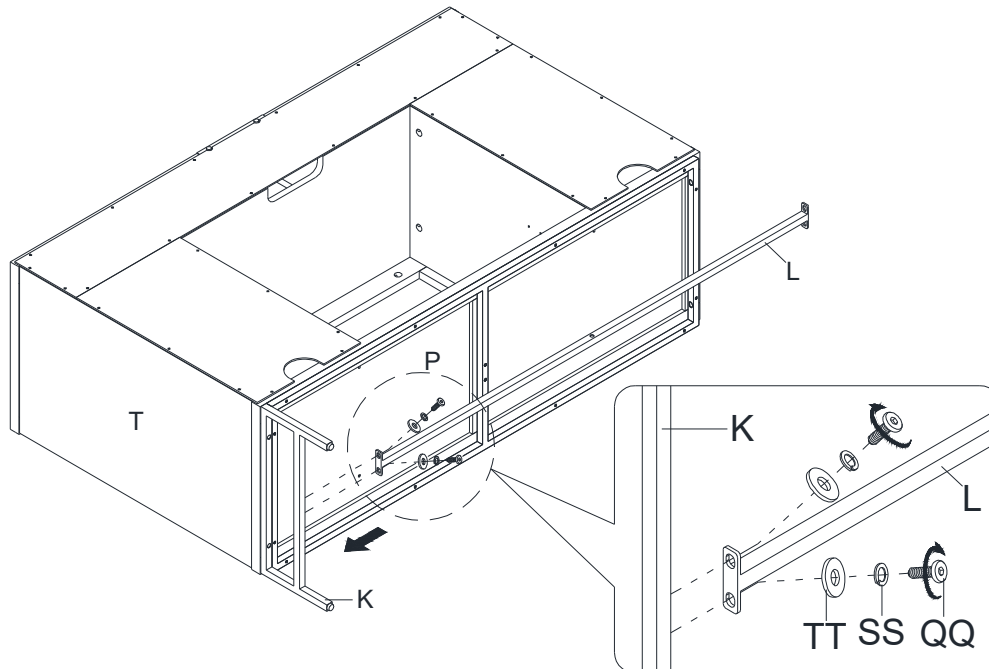
### 14 Fixation du la pied droite

- Prenez un pied (K) et fixez-le au rail latéral droit du panneau inférieur (P) à l'aide de deux boulons moyens (RR), de deux rondelles de blocage (SS) et de deux rondelles plates (TT)



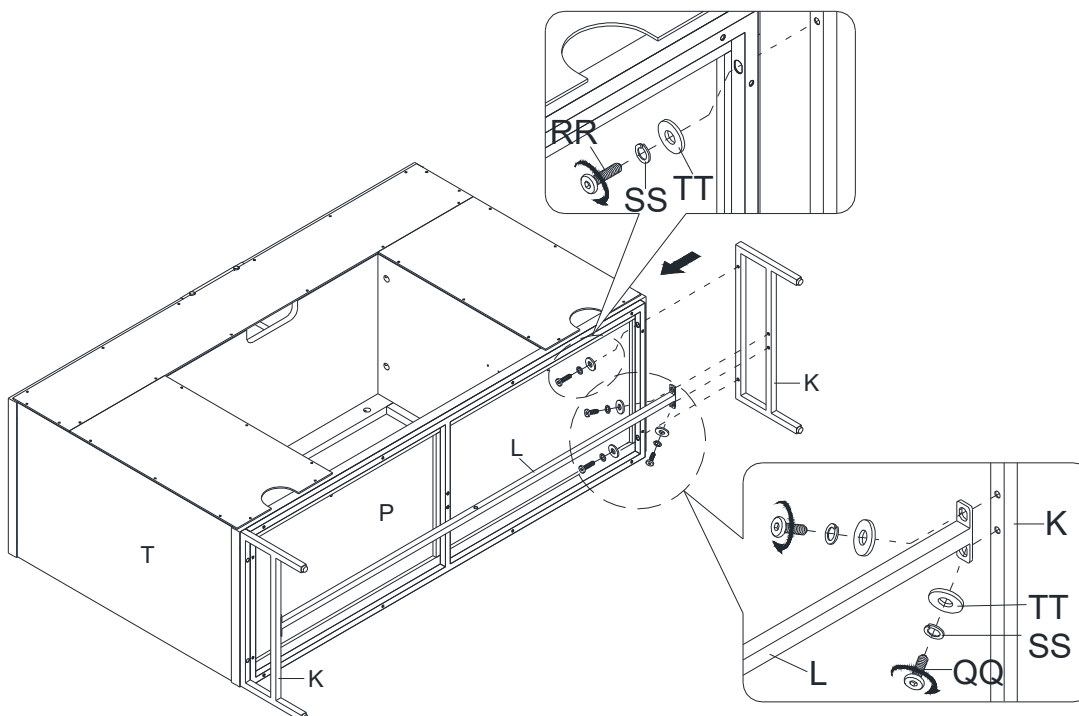
## 15 Fixation de la traverse inférieure

- Fixation de la traverse inférieure (L) à la pied droite (K) à l'aide de deux petits boulons (QQ), de deux rondelles de blocage (SS) et de deux rondelles plates (TT).



## 16 Fixation du la pied gauche

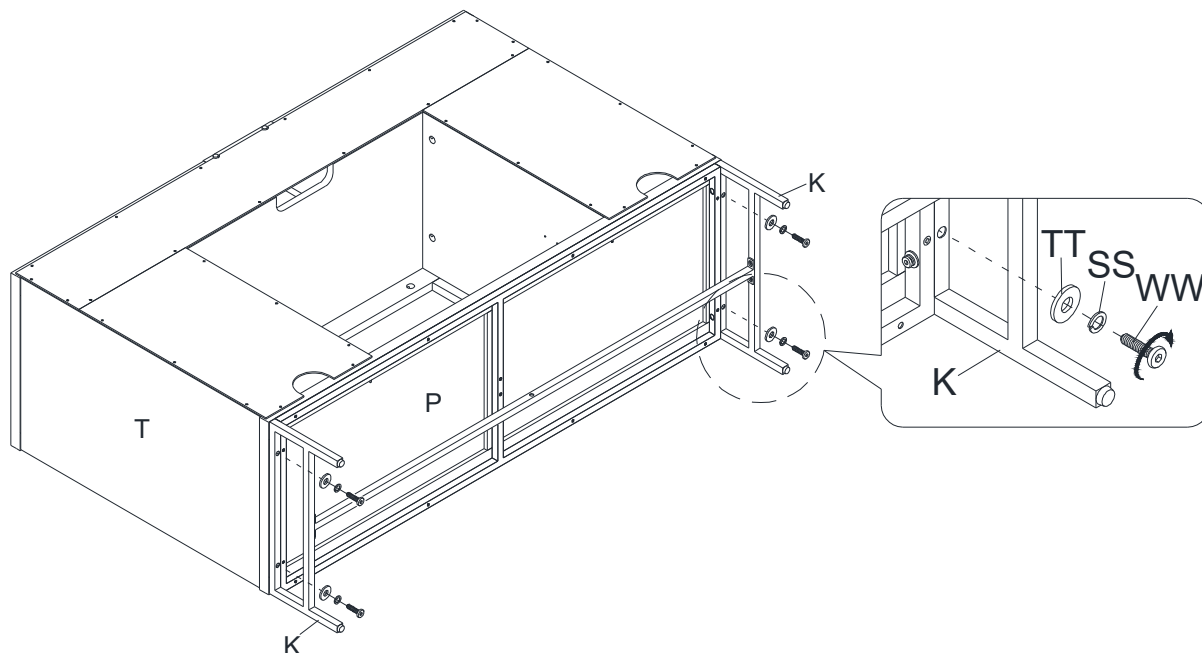
- Répétez la même procédure pour attacher l'autre pied (K) à l'extrémité opposée.



## Assemblage (suite)

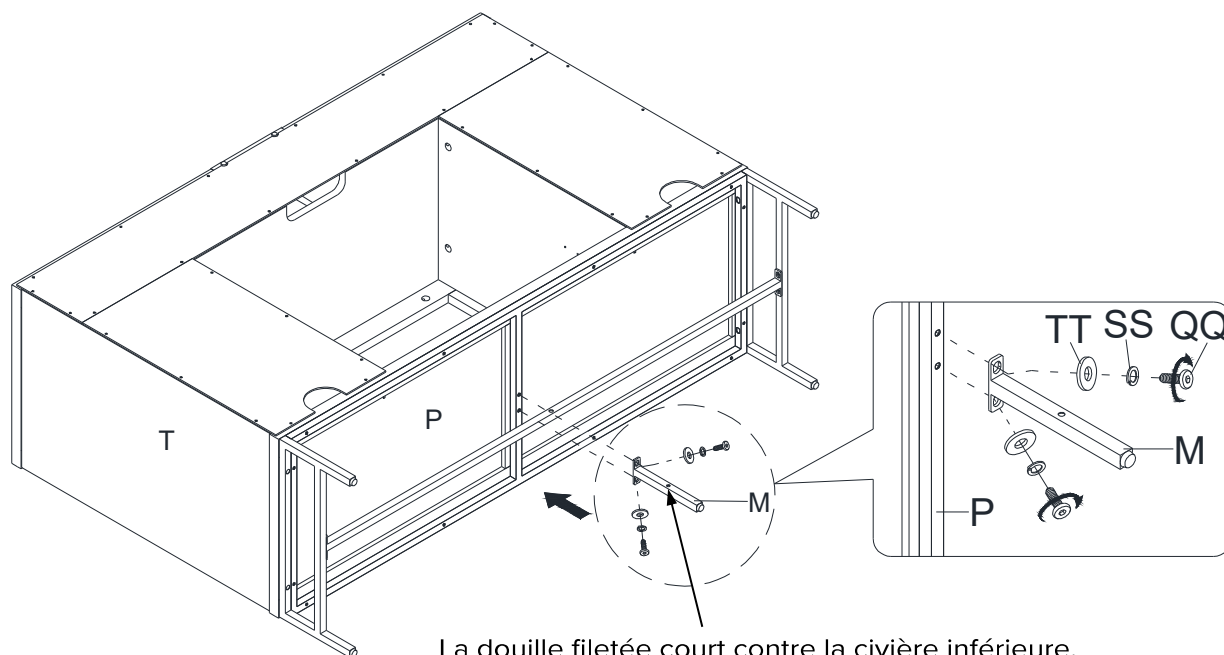
### 17 Fixation de pieds

- Insérez quatre gros boulons (WW) avec les rondelles de blocage (SS) et les rondelles plates (TT) à travers les rails supérieurs des deux pattes (K) et vissez dans le panneau inférieur (P).



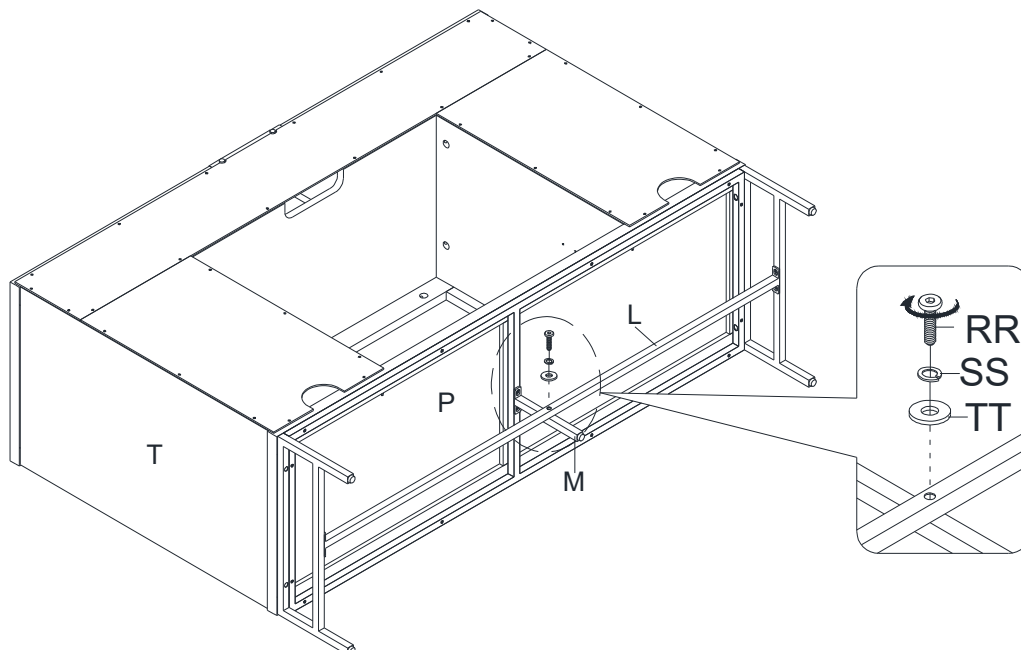
### 18 Fixation du pied central

- Alignez et fixez le pied central (M) au rail du milieu sur le panneau inférieur (P) avec deux petits boulons (QQ), deux rondelles de blocage (SS) et deux rondelles plates (TT).
- Réglez le niveleur réglable à la bonne hauteur.



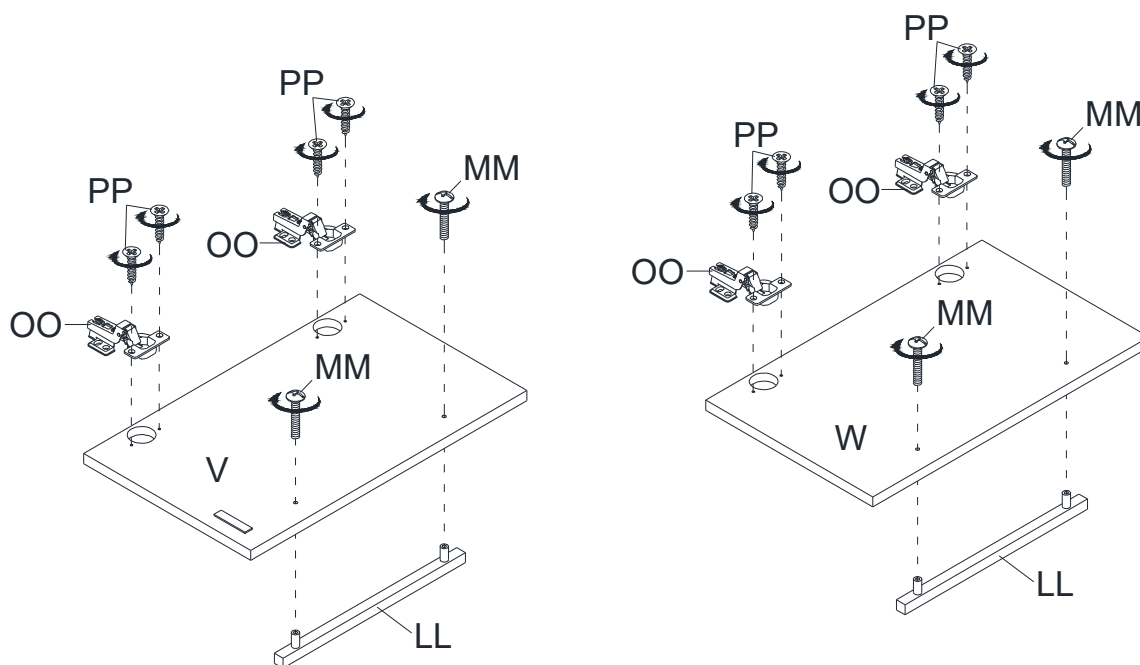
# 19 Fixation pied centrale

- Insérez un boulon moyen (RR), une rondelle de blocage (SS) et une rondelle plate (TT) à travers la traverse inférieure (L) et vissez dans les inserts filetés sur le pied central (M).



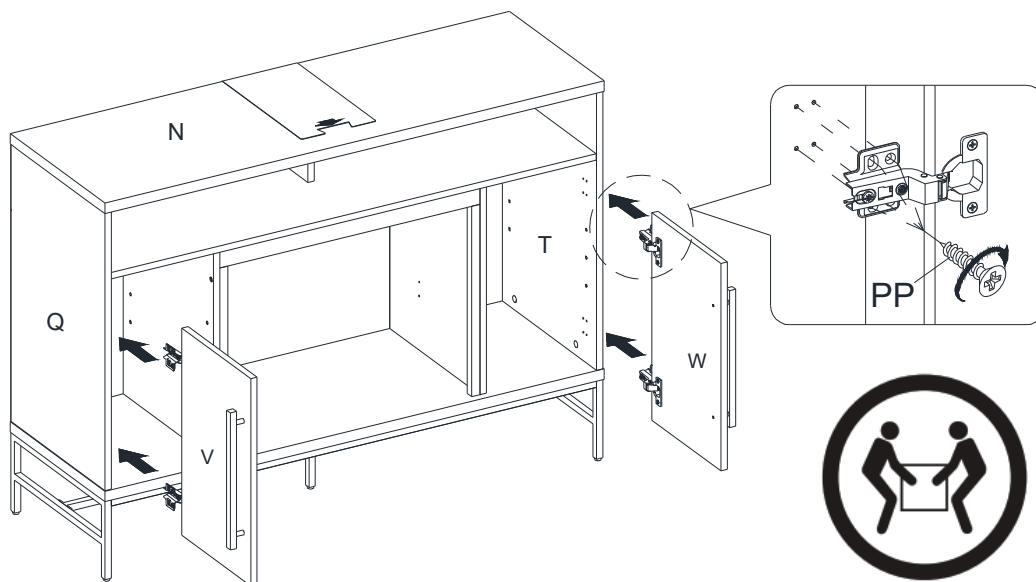
# 20 Installation des charnières et poignées de porte

- Déployez deux charnières (OO) et posez les cuvettes de charnière sur les découpes de chaque porte (V et W). Fixez les charnières de la porte (OO) en place en utilisant deux vis en nickel (PP) dans chaque charnière.
- Fixez une poignée (LL) à l'avant de chaque porte (V et W) à l'aide de deux boulons de poignée (MM).



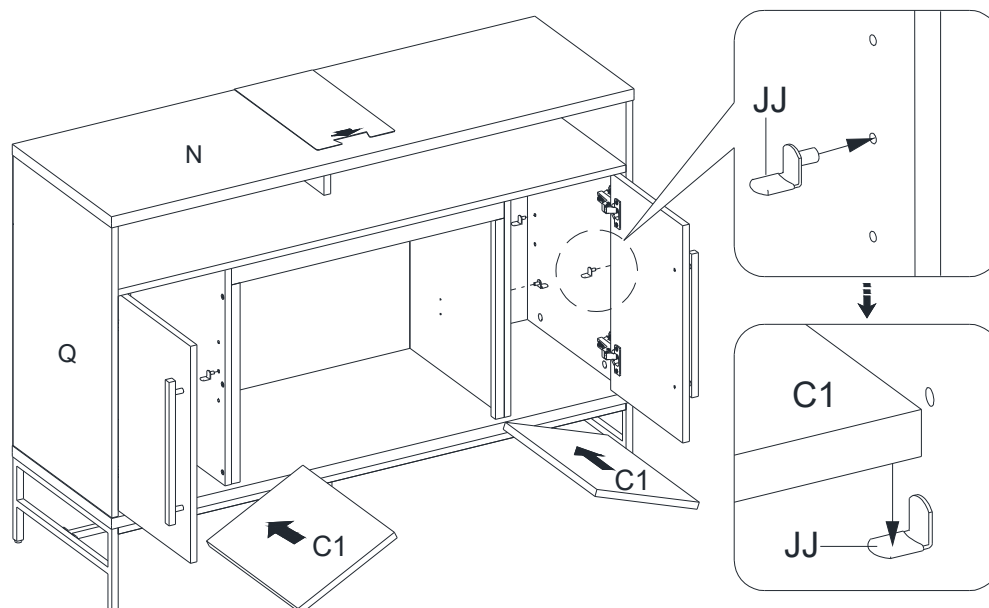
### 21 Fixer les panneaux de porte

- Demandez de l'aide pour soulever l'unité de montage debout et la positionner près de l'emplacement final.
- Utilisez les trous pilotes comme guide, Levez la porte gauche (V) et fixez les bases des charnières sur le panneau latéral inférieur gauche (Q) avec huit vis en nickel (PP).
- Répétez le même processus avec la porte de droite (W).
- Ouvrez et fermez les portes pour vous assurer qu'elles sont bien alignées et se ferment correctement. Si nécessaire, ajustez les vis du bras de charnière pour un meilleur ajustement.



### 22 Fixer les étagères réglables

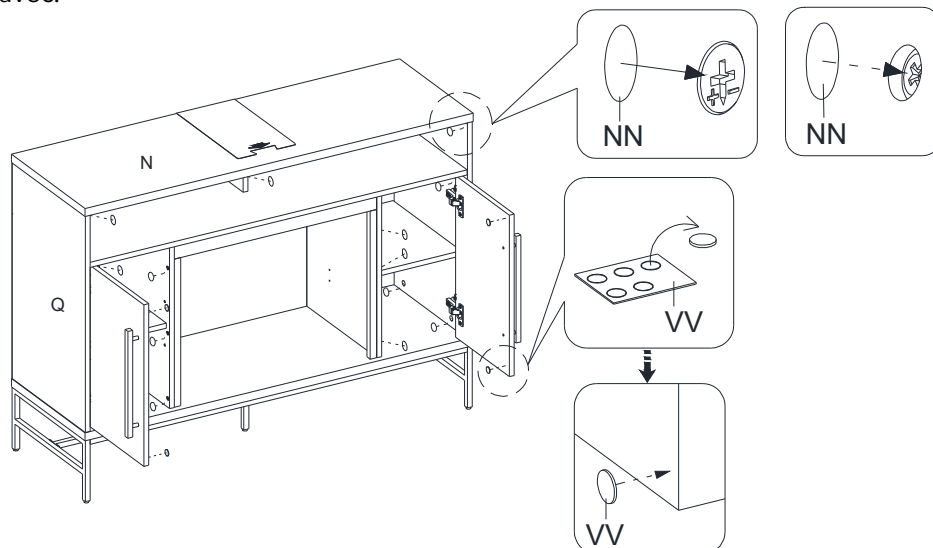
- Ouvrez les portes et insérez quatre supports d'étagère (JJ) dans les trous à la hauteur souhaitée à l'intérieur de chaque compartiment latéral. Assurez-vous de placer les quatre supports d'étagère au même niveau afin que l'étagère ne soit à niveau.
- Inclinez et posez les étagères réglables (C1) sur les supports d'étagère (JJ).



## Assemblage (suite)

### 23 Fixation de couvertures en papier et de butoirs en caoutchouc

- Placez des autocollants en papier (NN) sur les verrous à came et les vis visibles.
- Collez les pare-chocs en caoutchouc (VV) sur les coins extérieurs des portes où les parois inférieures (R et S) sont en contact avec.



### 24 Fixation des bras verticaux

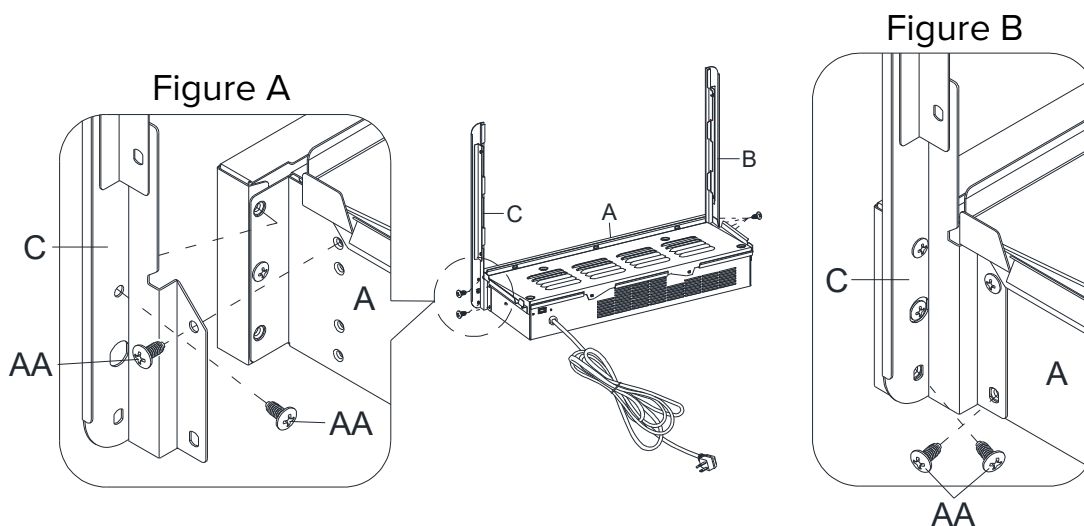


**REMARQUE :** Assemblez le foyer encastrable avec un tournevis à main au lieu d'un tournevis électrique. Voir BILT pour les instructions video.

- Voir figure A : Serrez les 2 vis supérieures (AA) à travers le bras vertical (C) dans le radiateur (A) jusqu'à ce qu'elles soient bien serrées.
- Voir figure B: Serrez les 2 vis inférieure (AA) dans le bras vertical (C) jusqu'à ce qu'elle soit bien serrée.
- Serrez complètement les 4 vis (AA) une dernière fois.
- Répétez le même processus avec l'autre bras vertical (B).



**AVERTISSEMENT :** Ne soulevez ou ne transportez pas le radiateur en utilisant les bras verticaux.





## Assemblage (suite)

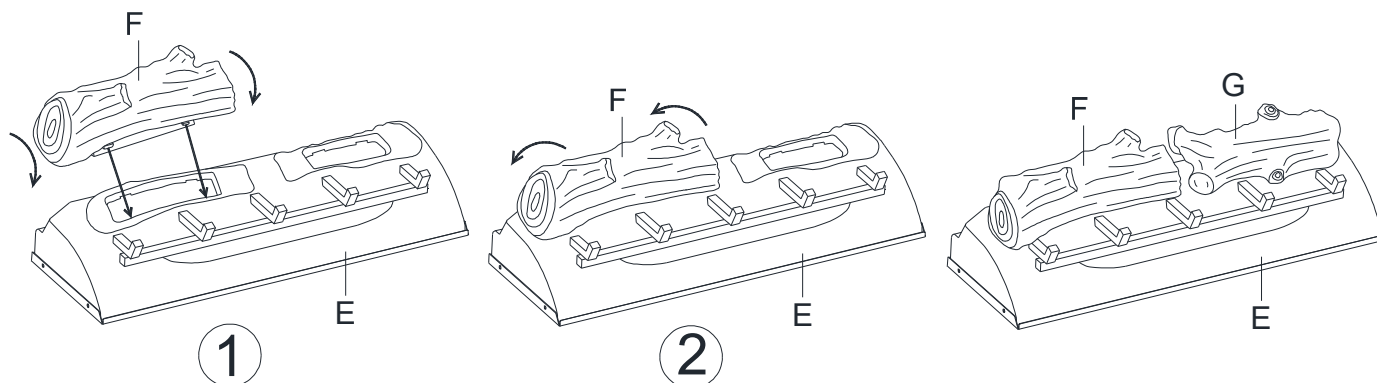
# 25

### Fixation des bûches au lit de braises



**IMPORTANTE :** Suivez attentivement les 2 étapes ci-dessous pour insérer chaque bûche.

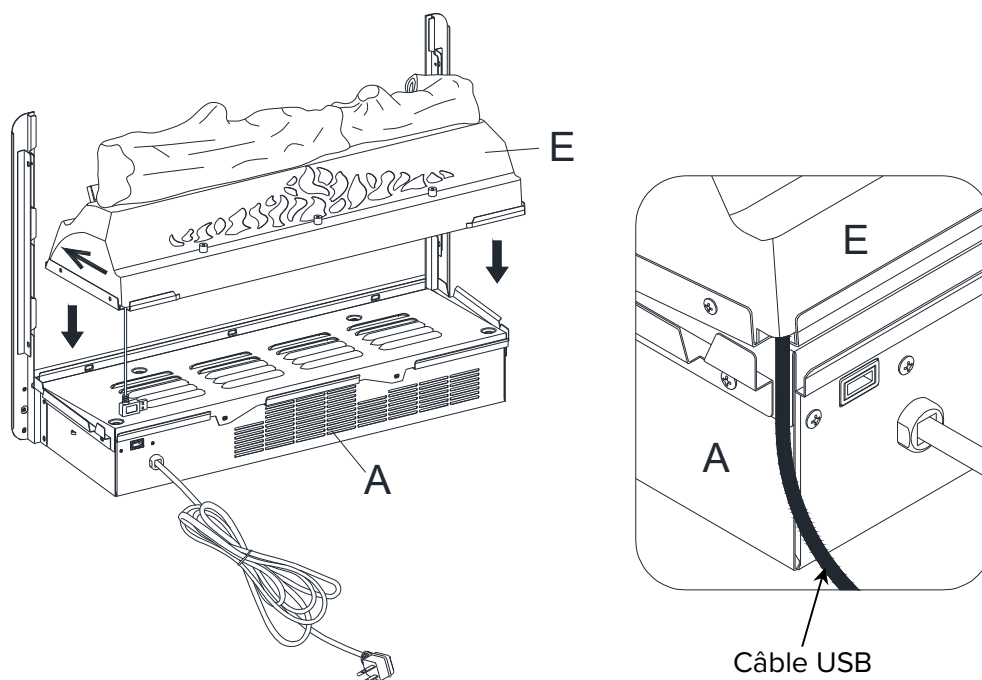
1. Installez la bûche gauche (F) dans le trou gauche du lit de braises (E) en insérant le bord avant de la base de la bûche dans les encoches avant du trou du lit de braises.
  2. Ensuite, inclinez la bûche vers l'arrière pour insérer le bord arrière de la base dans les encoches arrière du trou du lit de braises. Appuyez fermement pour verrouiller la bûche en position.
- Répétez le même processus avec la bûche droite (G).



# 26

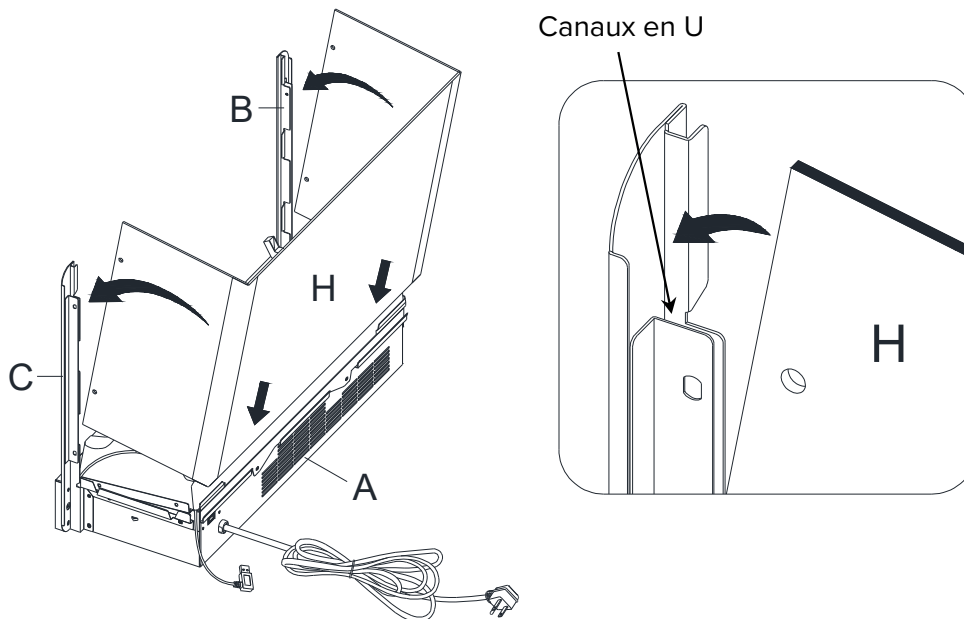
### Positionnement du lit de braises

- Placez le lit de braises (E) sur le radiateur (A) comme illustré.
- Poussez le lit de braises vers l'avant contre la bride avant du radiateur.
- Positionnez le câble USB comme indiqué ci-dessous.



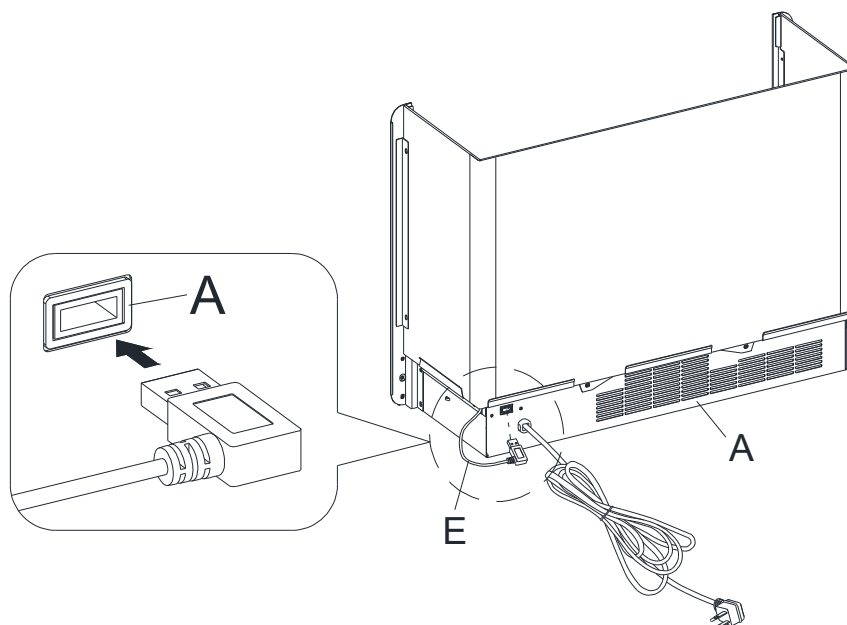
### 27 Fixation du panneau mural

- Pliez le panneau mural (H) comme illustré. Ensuite, faites face à l'arrière du radiateur (A).
- Tenez le panneau mural (H) à l'angle illustré ci-dessous et insérez le bord arrière inférieur dans les fentes métalliques à l'arrière du radiateur (A).
- Inclinez le panneau mural (H) vers l'avant jusqu'à ce que le coin inférieur s'insère dans les canaux en U inférieurs des deux bras verticaux (B et C).
- Continuez à incliner le panneau mural (H) vers l'avant jusqu'à ce que le coin supérieur s'insère dans les canaux en U supérieurs des deux bras verticaux (B et C).



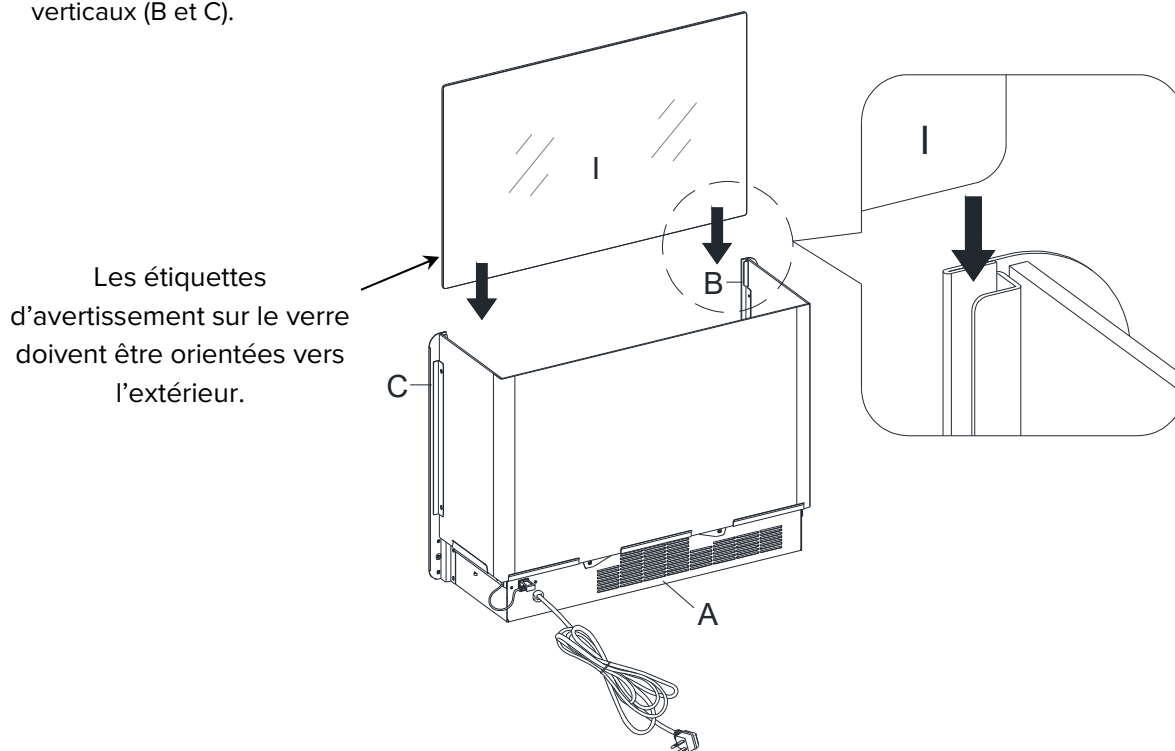
### 28 Connexion du câble du lit de braises au radiateur

- Branchez complètement le connecteur USB du lit de braises (E) dans le port arrière du radiateur (A).



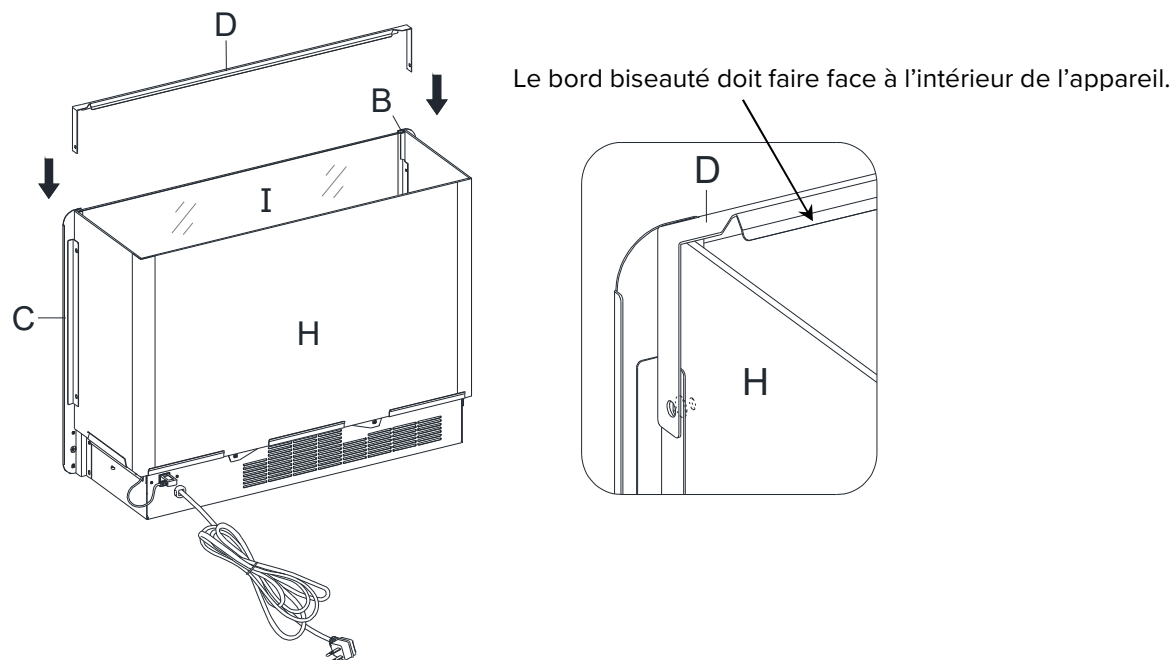
### 29 Insertion du verre

- Faites glisser le verre (I) dans les canaux en U intérieurs des deux bras verticaux (B et C) jusqu'à ce que le verre repose sur le radiateur. Si nécessaire, poussez sur le haut des bras verticaux vers l'intérieur ou vers l'extérieur afin que le verre puisse s'insérer facilement. Assurez-vous que le haut du verre (I) est aligné avec le haut des deux bras verticaux (B et C).



### 30 Positionnement de l'attache du connecteur

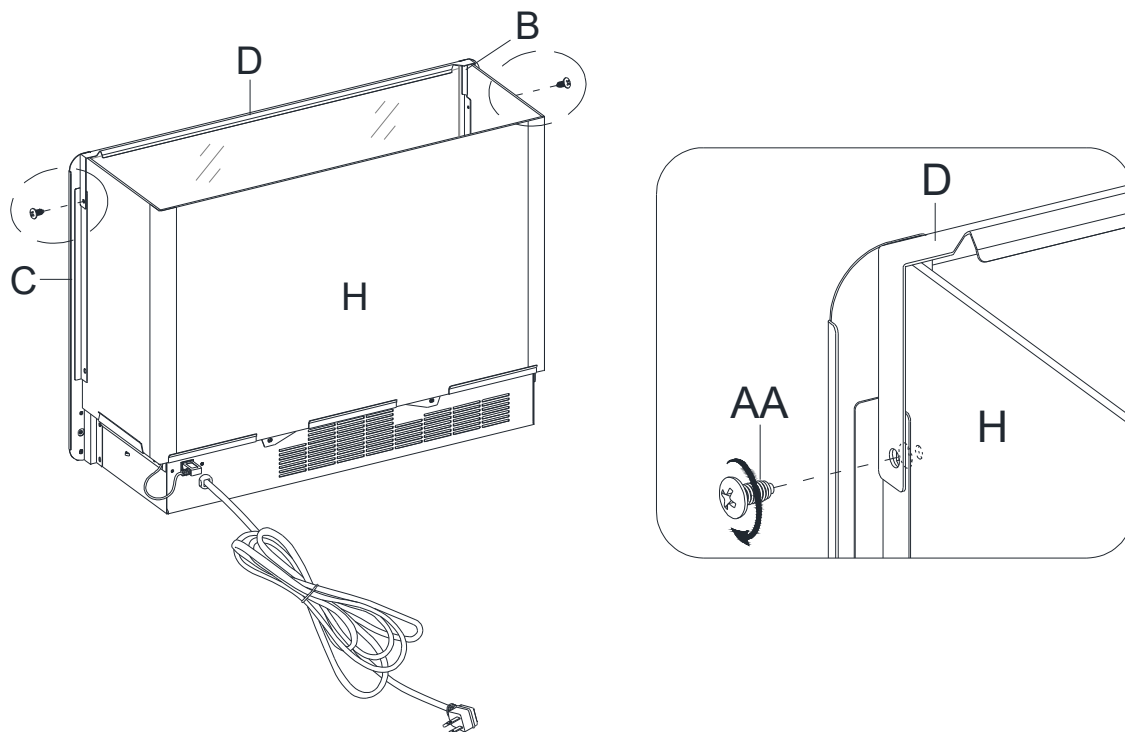
- Placez l'attache du connecteur (D) supérieur sur le verre (I) et les bras verticaux (B et C). Suivez l'orientation indiquée ci-dessous.



## Assemblage (suite)

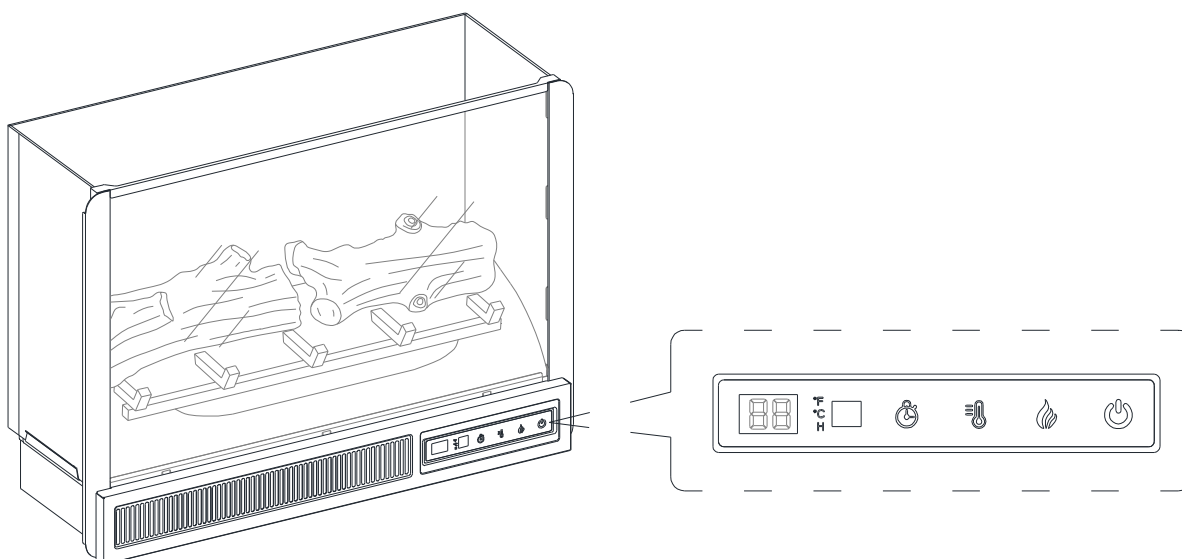
### 31 Fixation de l'attache du connecteur

- Fixez l'attache du connecteur (D) aux deux bras verticaux (B et C) à l'aide de deux vis (AA) comme indiqué ci-dessous. Les trous doivent être alignés pour que les vis puissent y passer.



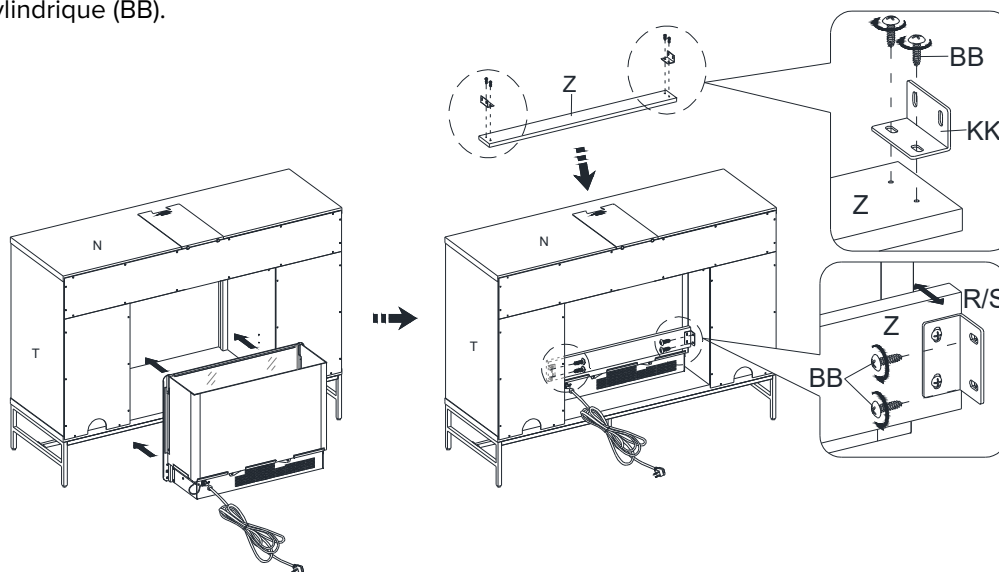
### 32 Finition de l'assemblage du foyer encastrable

- La chambre de combustion est maintenant prête pour la prochaine étape d'assemblage.



### 33 Installer l'insert de cheminée

- Soulevez l'insert de cheminée avec précaution dans le dos de la cheminée assemblée et placer sur le panneau inférieur au centre de l'ouverture.
- Utilisez les trous pilotes comme guide, fixez deux supports métalliques en L (KK) sur le support de foyer (Z) avec quatre vis à tête cylindrique (BB). Assurez-vous que le côté à angle droit du support métallique affleure le bord court du support de foyer (Z).
- Utilisez les trous pilotes comme guide, fixez le support de foyer (Z) entre les parois inférieures (R et S) avec quatre vis à tête cylindrique (BB).



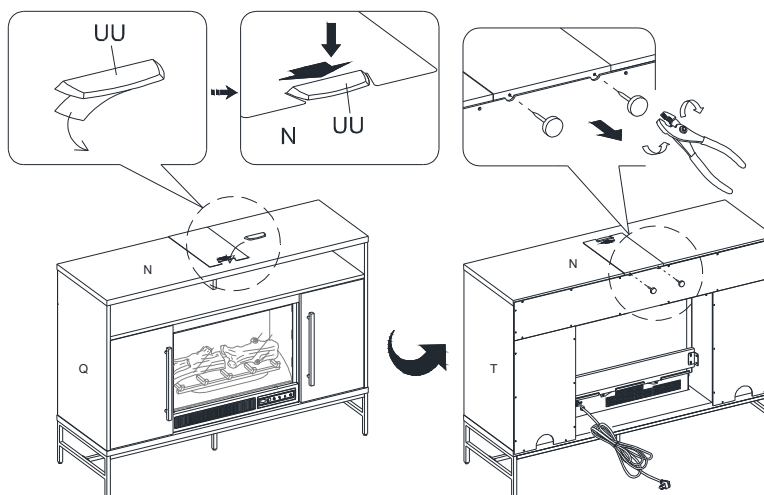
### 34 Installation des bouchons acryliques

- Retirez le papier adhésif du butoir acrylique (UU), puis alignez correctement le butoir acrylique sur la découpe du butoir sur le devant du panneau supérieur (N). Appuyez sur le butoir en acrylique pour faciliter l'adhérence.



**REMARQUE :** T Pour éviter que votre téléviseur ne bascule, vous devez installer le bouchon TV acrylique si vous placez un téléviseur à écran plat sur le panneau du haut. Sinon, passez à l'étape suivante.

- À l'arrière du panneau supérieur (N), retirez délicatement les punaises à l'aide d'une pince afin de retirer le butoir en acrylique.

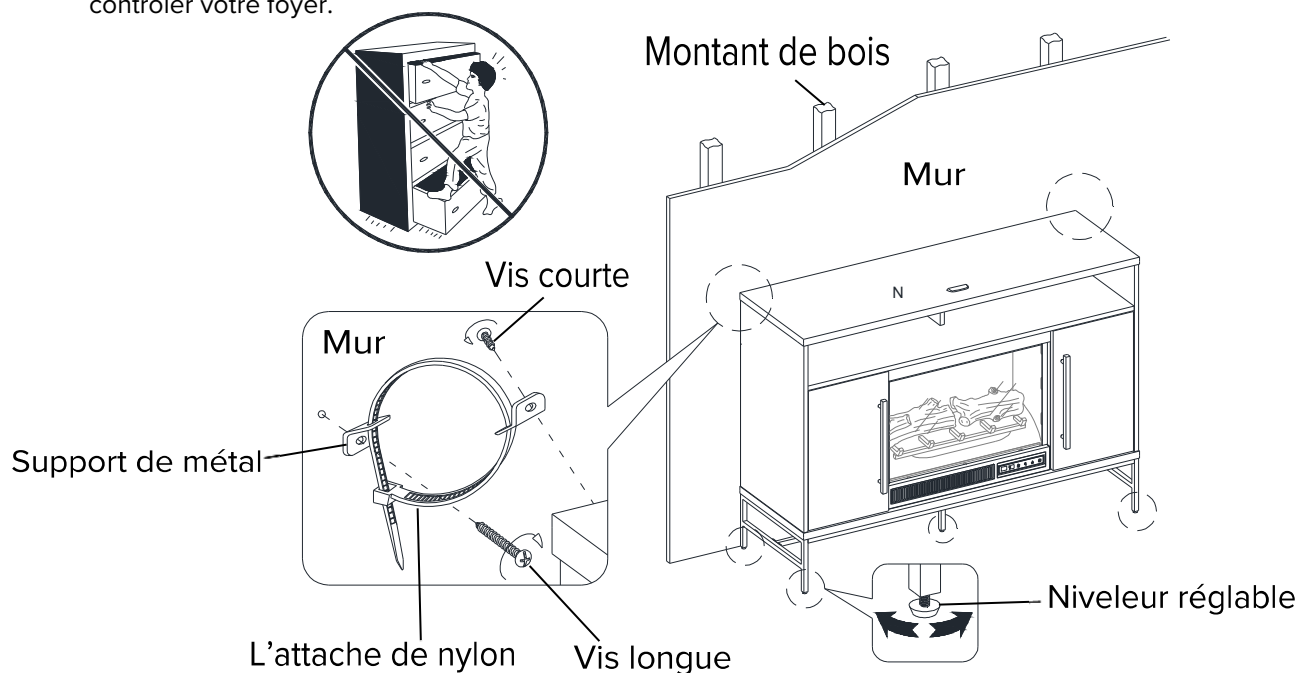


# 35 Installation de la quincaillerie antibasculement



**AVERTISSEMENT** : La quincaillerie antibasculement fournie est conçue pour les murs à montants de bois. Elle doit être fixée à un montant de bois. Selon le type de mur, des pièces d'ancrage différentes pourraient être requises. Veuillez communiquer avec votre quincaillier pour obtenir de l'assistance. Les jeunes enfants peuvent se blesser grièvement si le meuble bascule. La trousse antibasculement doit être installée pour prévenir la chute du meuble causant des accidents ou des dommages à l'unité. Les trousse antibasculement ne servent que de dissuasifs et ne remplacent pas une supervision adulte adéquate. Les trousse antibasculement ne résistent pas aux tremblements de terre. Pour plus de sûreté en cas de tremblement de terre, des dispositifs particuliers doivent être achetés et installés séparément.

- ❑ Faites-vous aider pour placer le foyer assemblé à l'endroit désiré contre un mur. Si nécessaire, réglez les molettes des niveleurs de sol pré-attachés à la main pour corriger l'inclinaison et le niveau des portes, jusqu'à ce que l'appareil soit de niveau.
- ❑ Suivez les instructions imprimées sur le sac en plastique contenant la quincaillerie de retenue basculante pour fixer les dispositifs de retenue à l'appareil et au mur.
- ❑ Branchez le foyer au transformateur de puissance. Suivez le manuel d'utilisation de l'insert électrique du foyer pour contrôler votre foyer.



## AVERTISSEMENT

- L'unité doit être placée sur une surface plane ou nivelée avec la quincaillerie incluse (le cas échéant).
- Veuillez ne pas vous asseoir ou vous tenir debout sur le produit assemblé, et ne permettez pas aux enfants de grimper, de s'asseoir ou de se tenir debout sur le produit assemblé.
- Pour des raisons de sécurité, cette unité doit être fixée au mur.
- Sinon, l'unité peut basculer et causer des blessures graves ou la mort.
- N'ouvrez jamais plus d'un tiroir à la fois.
- Ne dépassez pas les limites de poids recommandées.
- Avant de couper, de percer ou de marteler une surface de mur ou de sol, vérifiez l'emplacement des conduites électriques, de plomberie et de gaz. La coupe incorrecte peut causer des blessures graves.

# Entretien

Un crayon à retouche (non inclus pour HDSLFP48L-1B) est fourni pour minimiser les petites marques ou éraflures pouvant survenir lors du montage ou de l'expédition.

Entretien de votre meuble :

- Utilisez un tissu doux et propre qui n'égratignera pas la surface lors de l'époussetage.
- Il n'est pas nécessaire d'utiliser de la cire à meubles. Si vous décidez de le faire, appliquez d'abord le produit sur une zone invisible du meuble.
- L'utilisation de solvants, quels qu'ils soient, sur votre meuble peut endommager le fini.
- N'utilisez jamais d'eau pour nettoyer votre meuble, car elle pourrait endommager le fini.
- Utilisez toujours des sous-verres sous les verres de boisson et les pots de fleurs.
- Le liquide renversé doit être essuyé immédiatement. Asséchez le liquide doucement avec un tissu propre et doux. Évitez de frotter.
- Utilisez toujours des sous-plats sous les plats chauds et les assiettes. La chaleur peut provoquer des changements chimiques pouvant causer l'apparition de taches sur le fini du meuble.
- Si votre meuble est taché ou endommagé, nous vous recommandons de faire appel à un professionnel pour le réparer.
- Vérifiez les boulons/vis périodiquement et serrez-les au besoin.

## ENTRETIEN DE VOTRE MEUBLE EN BOIS

Il est préférable d'installer votre meuble dans un environnement climatisé. Des écarts extrêmes de température et d'humidité peuvent causer le pâlissement, le gauchissement, le rétrécissement et le fendillement du bois. Il est conseillé de mettre le meuble à l'abri de la lumière directe du soleil, car le soleil peut endommager le fini.

Un entretien et un nettoyage appropriés à la maison prolongeront la durée de vie de votre meuble. Suivez ces conseils importants et pratiques pour que votre meuble s'améliore avec l'âge.

## NETTOYAGE DE LA GARNITURE DU FOYER

Nettoyez la garniture de métal avec un chiffon doux humecté avec un produit à base d'huile d'agrumes et polissez avec un chiffon propre et doux. **ÉVITEZ D'UTILISER** un produit de polissage pour le laiton ou un produit d'entretien ménager, car ils endommageraient la garniture de métal. Vous pouvez vous procurer des produits à base d'huile d'agrumes dans les supermarchés ou les quincailleries.

SCOTT  LIVING™

BY DREW & JONATHAN

---



Nous ne sommes satisfaits que si vous l'êtes, c'est pourquoi nous offrons une Garantie Love It de 30 jours. Si, pour une raison quelconque, vous n'aimez pas votre produit Scott Living, vous pouvez le retourner dans votre magasin dans un délai de 30 jours à compter de la date figurant sur votre reçu pour un remboursement complet - sans poser de questions.

LA POLITIQUE DE RETOUR POUR LES ARTICLES PERSONNALISÉS PEUT VARIER. VEUILLEZ VÉRIFIER AUPRÈS DE VOTRE DÉTAILLANT POUR PLUS DE DÉTAILS.

---

Vous avez des questions ou des problèmes? Certaines pièces sont manquantes? Avant de vous rendre au magasin, communiquez avec le service à la clientèle de

**1-866-942-5362**

Heure normale du Pacifique, entre 8 h 30 et 16 h 30, du lundi au vendredi

Vous pouvez également visiter notre site Web 24 heures par jour, 7 jours sur 7 pour obtenir de l'aide sur le produit [www.whalenfurniture.com](http://www.whalenfurniture.com)

ou transmettre une demande par courriel à [parts@whalenfurniture.com](mailto:parts@whalenfurniture.com)

**Conservez ce manuel comme référence future.**



SCOTT  LIVING™

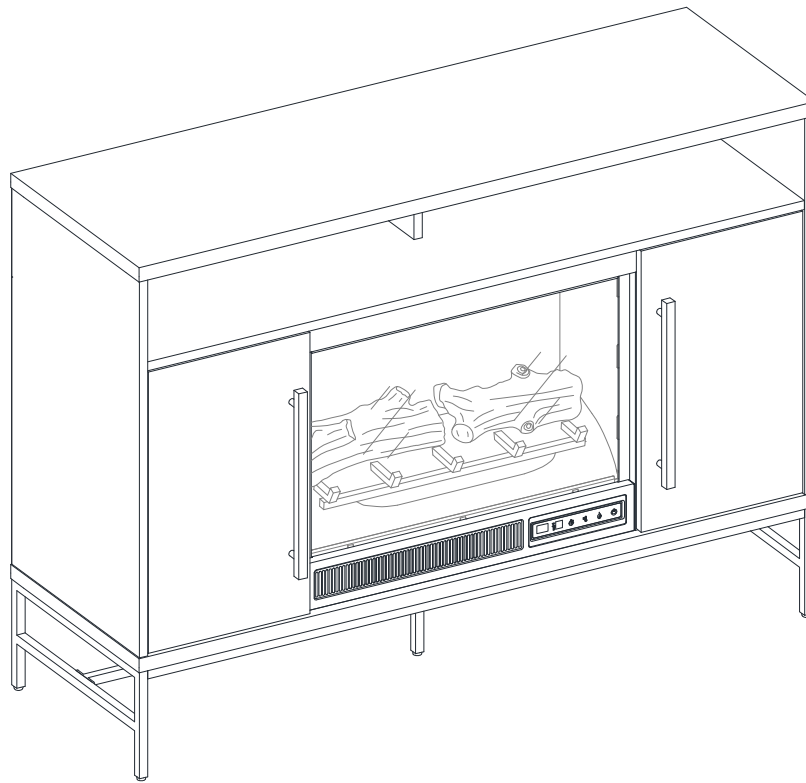
BY DREW & JONATHAN

OMSID # 320643178  
# 320643181

Modelo # HDSLFP48L-1A  
# HDSLFP48L-1B

# INSTRUCCIONES DE ENSAMBLE

## CONSOLA DE 48" CON CHIMENEA ELÉCTRICA INFRARROJA PARA MEDIOS KAPLAN



¿Preguntas, problemas, partes que falten? Antes de regresar a la tienda,  
llame al servicio al cliente

**1-866-942-5362**

Hora estándar del Pacífico: 8:30 a.m. - 4:30 p.m., de Lunes a Viernes

O visite nuestra página de Internet 24 horas al día, 7 días a la semana para asistencia

**[www.whalenfurniture.com](http://www.whalenfurniture.com)**

O mande un correo electrónico a **[parts@whalenfurniture.com](mailto:parts@whalenfurniture.com)**

GRACIAS

Apreciamos la confianza y confidencia que ha puesto en Scott Living por Drew & Jonathan a través de la compra de esta chimenea/calentón eléctrico. Nos esforzamos para crear productos de calidad diseñados para mejorar su casa. Visítenos en línea para ver nuestra línea complete de productos disponibles para sus necesidades de mejorar su casa.

¡Gracias por escoger Scott Living por Drew & Jonathan!

# Lista de contenidos


Lista de contenidos .....2  
Información de seguridad .....2  
    Maximo peso recomendado.....2  
Garantía .....2  
Pre-ensamble .....2  
    Planeando el ensamble .....2  
    Herramientas requeridas.....2

Ferretería incluida .....3  
Contenido del paquete .....4  
Ensamble .....5  
Cuidado y mantenimiento .....23  
    Cuidando su mueble de madera .....23  
    Limpiando el borde de la chimenea.....23

# Información de seguridad

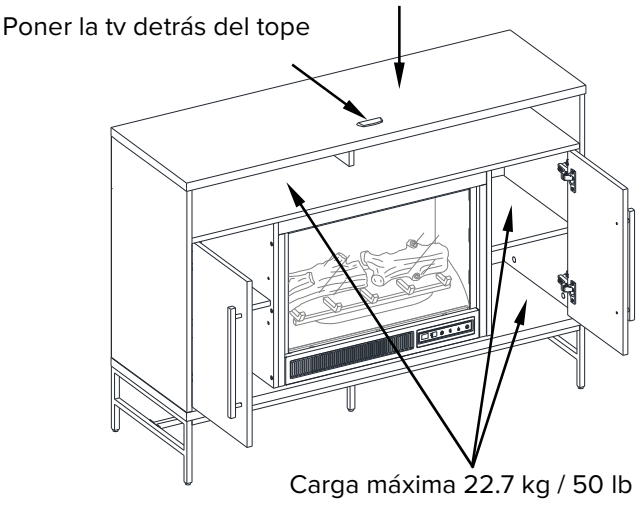
Por favor lea y entienda estas instrucciones antes de ensamblar y usar esta consola. Guarde estas instrucciones para referencia futura.

## MAXIMO PESO RECOMENDADO



**ADVERTENCIA:** Esta unidad no debe utilizarse con televisiones CRT o de tubo. Utilizarse únicamente con televisiones de pantalla plana y equipo de audio/video que tenga la medida/peso recomendado. Nunca utilizar con televisiones más grandes/pesadas de las recomendadas. Para evitar inestabilidad colóquela en el centro de la unidad; la base de la televisión debe de reposar sobre la superficie de soporte de la unidad sin rebasar las orillas. Las televisiones de pantalla plana colocadas inapropiadamente, o las televisiones de pantalla plana incluyendo equipo que sobrepasa las medidas y pesos recomendados pueden caerse y/o romper la unidad, causando posibles daños o lesiones.

Para la mayoría de las televisiones con pantalla plana en diagonal del 147.3 cm / 58 pulgadas  
Carga máxima 31.8 kg / 70 lb



# Garantía

Estamos confiados de que va a estar encantado con su compra. Si el producto es defectivo en el ensamblaje o en los materiales, o falla dentro del uso normal, nosotros lo repararemos o lo re-emplazaremos hasta por un año a partir de la fecha de compra.  
Esta garantía le proporciona derechos legales específicos y talvez tenga otros derechos que varían de estado a estado. Contacte al equipo de servicio al cliente al 1-866-942-5362 o visite [www.whalenfurniture.com](http://www.whalenfurniture.com).

# Pre-ensamble

## PLANEANDO EL ENSAMBLE

Comparar todas las partes con la lista de ferretería incluida y contenido del paquete. Si alguna parte parece estar perdida o dañada, no ensamble este producto y contacte al equipo de servicio al cliente al 1-866-942-5362.

## HERRAMIENTAS REQUERIDAS

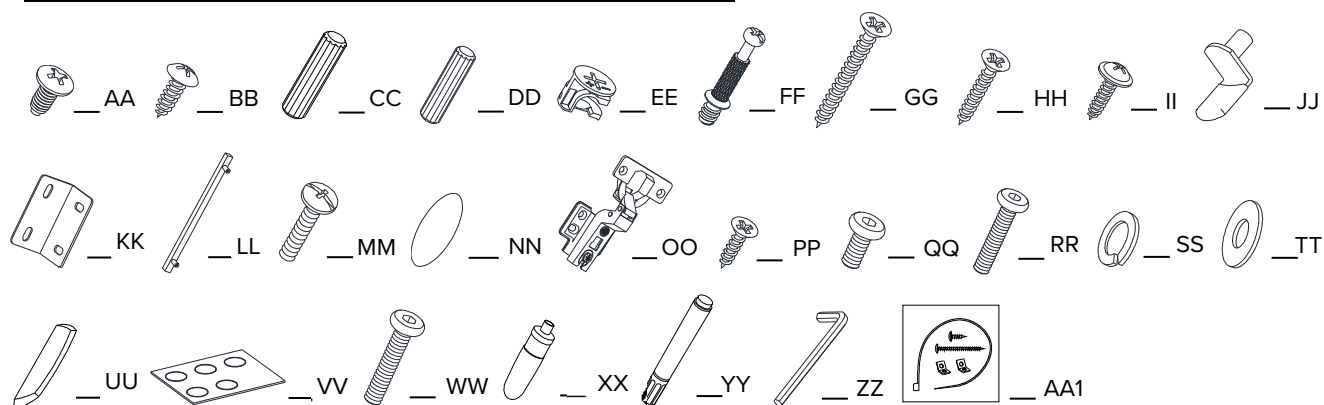


# Pre-ensamble (continuación)

## FERRETERÍA INCLUIDA



NOTA: La ferretería no está mostrada al tamaño real.

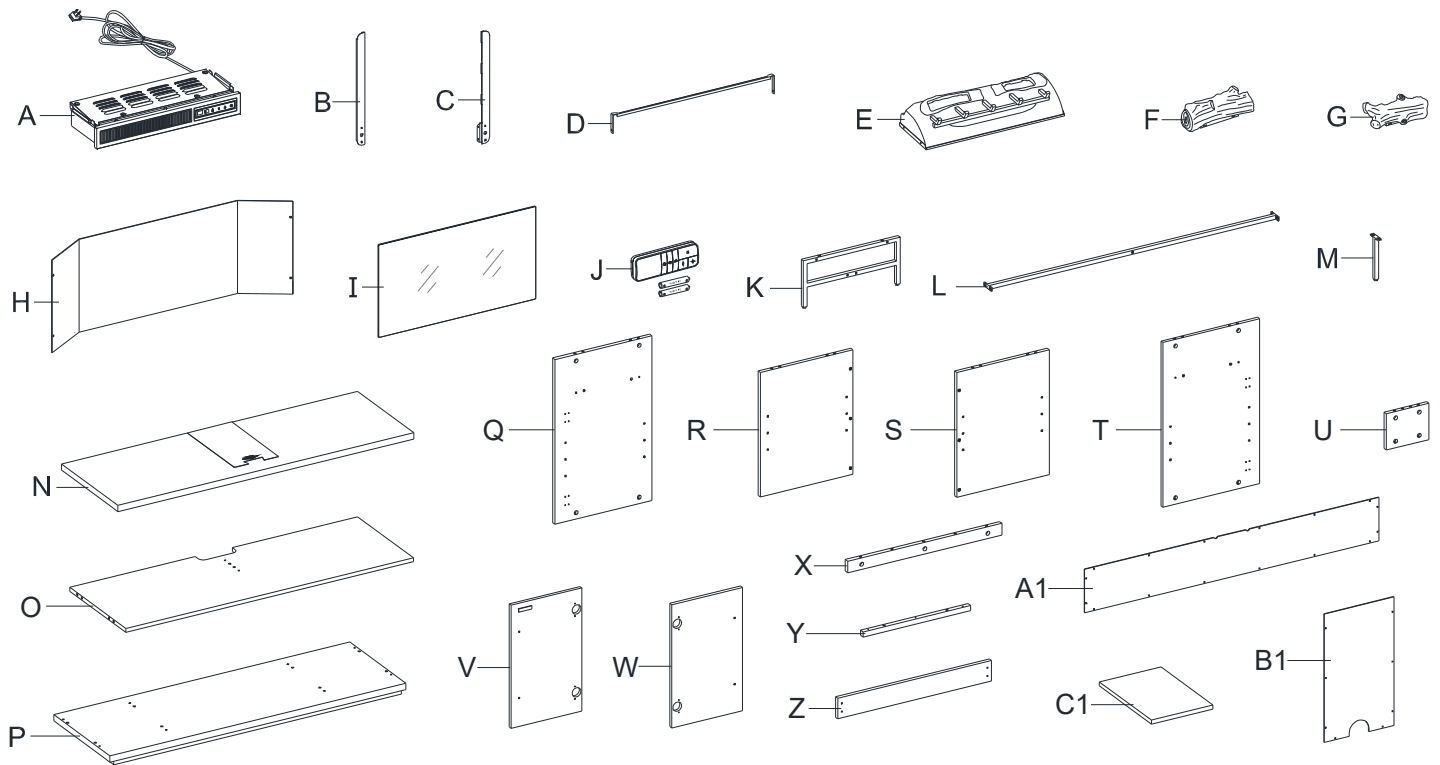


Parte	Descripción	Cantidad
AA	Perno para insertar	10+1 extra
BB	Perno de cabeza redonda	8+1 extra
CC	Clavija de madera larga	26+1 extra
DD	Clavija de madera corta	4+1 extra
EE	Tuerca de fijación	23+1 extra
FF	Perno de fijación	23+1 extra
GG	Perno de cabeza plana largo	4+1 extra
HH	Perno de cabeza plana corto	6+1 extra
II	Perno de cabeza de arandela	32+1 extra
JJ	Soporte para repisa	8+1 extra
KK	Soporte L	2
LL	Manija	2
MM	Perno para manija	4
NN	Etiqueta de papel	23+1 extra

Parte	Descripción	Cantidad
OO	Bisagra	4
PP	Perno de níquel para bisagra	24+1 extra
QQ	Perno pequeño	6+1 extra
RR	Perno medio	5+1 extra
SS	Arandela de presión	15+1 extra
TT	Arandela plana	15+1 extra
UU	Tope de acrílico	1
VV	Tope de plástico	4+1 extra
WW	Perno grande	4+1 extra
XX	Pegamento	1
YY	Plumón (No incluido para HDSLFP48L-1B)	1
ZZ	Llave hexagonal	1
AA1	Juego de restricción de movimiento	2

# Pre-ensamble (continuación)

## CONTENIDO DEL PAQUETE



Parte	Descripción	Cantidad
A	Calentón	1
B	Brazo izquierdo vertical	1
C	Brazo derecho vertical	1
D	Correa conectora	1
E	Lecho de brasas	1
F	Tronco izquierdo	1
G	Tronco derecho	1
H	Panel puerta de la caja de fuego	1
I	Vidrio de la caja de fuego	1
J	Control remoto con batería	1
K	Pata	2
L	Soporte inferior	1
M	Pata central	1
N	Panel superior	1
O	Repisa media	1

Parte	Descripción	Cantidad
P	Panel inferior	1
Q	Panel izquierdo	1
R	Panel divisor izquierdo	1
S	Panel divisor derecho	1
T	Panel derecho	1
U	Panel divisor superior	1
V	Puerta izquierdo	1
W	Puerta derecha	1
X	Soporte medio	1
Y	Borde medio	2
Z	Soporte de la caja de fuego	1
A1	Panel superior posterior	1
B1	Panel lateral posterior	2
C1	Repisa ajustable	2

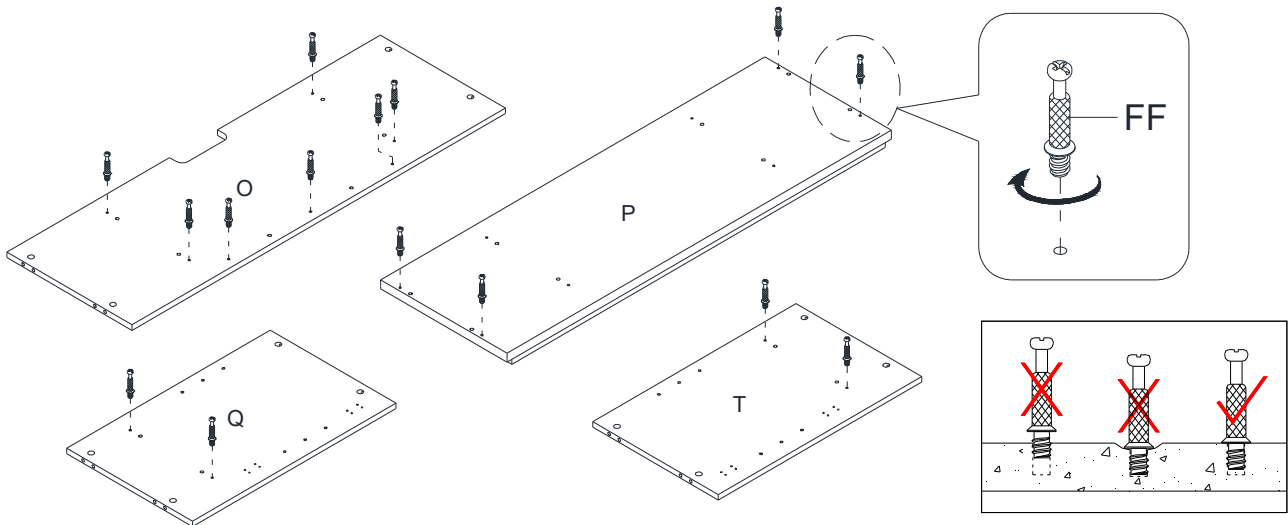
# Ensamble

## 1 Preparando el ensamble de la repisa media, la base y los paneles laterales



**NOTA:** Por favor no apriete completamente todos los pernos, hasta que termine con el ensamble de las partes. Después asegúrese de apretar todos los pernos. Esto hará el ensamble más fácil.

- ❑ Desempacar la unidad y confirmar que se tiene todo el material de ferretería y partes requeridas. Ensamblar la unidad en un piso alfombrado o en el cartón vacío para evitar rasguños.
- ❑ Atornillar los pernos de fijación (FF) en los agujeros pequeños designados en la repisa media (O), en el panel inferior (P) y en los paneles laterales (Q y T) usando el desarmador estrella. **NO** sobre apriete los pernos de fijación.

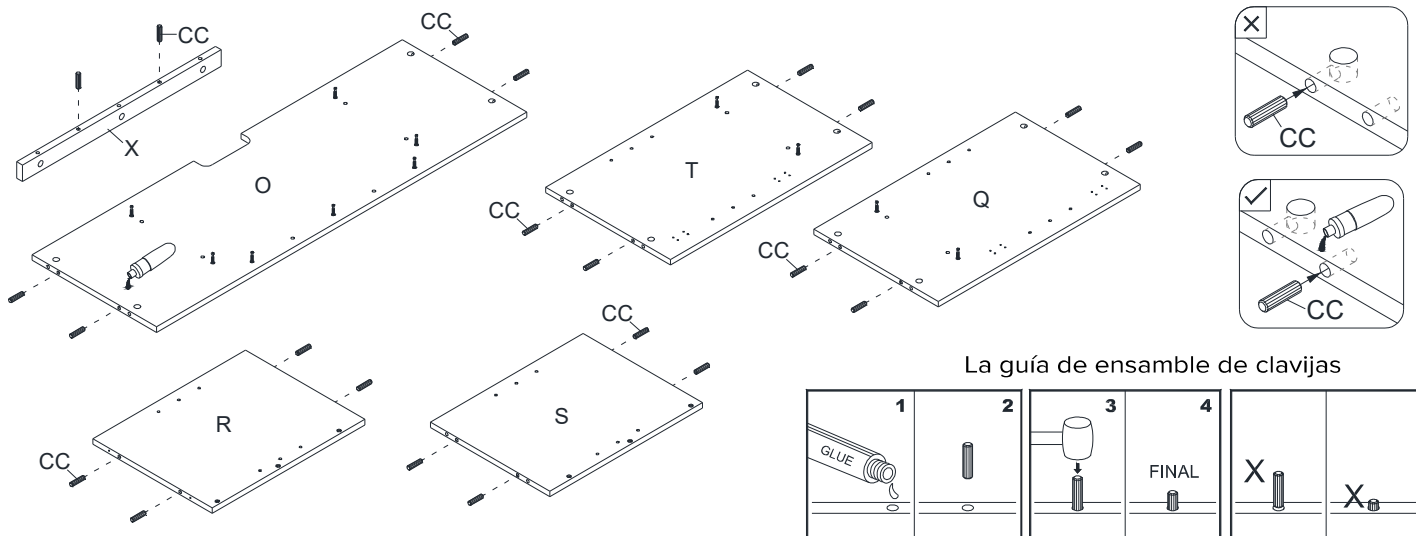


## 2 Pegando las clavijas de madera



**NOTA:** Consultar los dibujos guías de las clavijas en este paso para aclarar como pegar apropiadamente las clavijas de madera. Aplique este metodo cuando sea instruido a instalar clavijas de madera. Es bien importante usar una cantidad pequeña de pegamento en ambos lados de las clavijas y limpiar el exceso de pegamento inmediatamente con un paño húmedo.

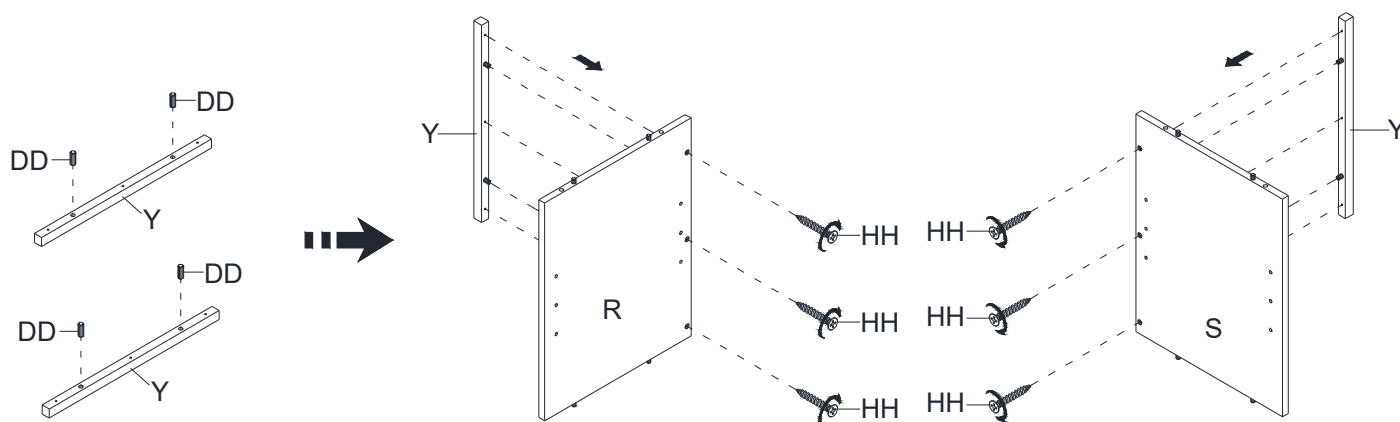
- ❑ Pegar las clavijas de madera largas (CC) en los agujeros designados en la repisa media (O), en los paneles laterales (Q y T), en los paneles divisores inferiores (R y S) y en el soporte medio (X) como se muestra.



## Ensamble (continuación)

### 3 Adjuntando los bordes medios

- Pegar las clavijas de madera cortas (DD) en los agujeros internos de cada borde medio (Y).
- Sujetar los bordes medios (Y) a los paneles divisores inferiores (R y S) respectivamente, usando 3 pernos de cabeza plana cortos (HH) por borde.

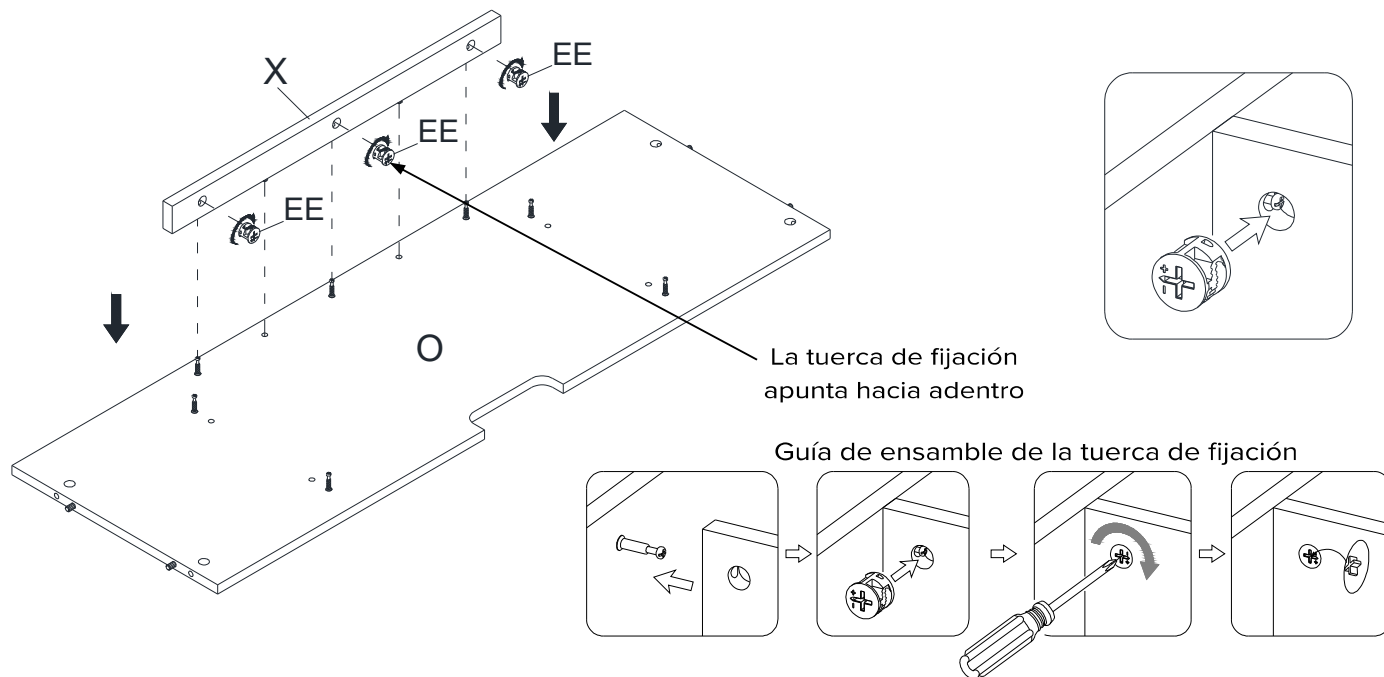


### 4 Adjuntando el soporte medio



**NOTA:** Consultar los dibujos guías de las tuercas de fijación en este paso para aclarar como pegar apropiadamente la tuerca de fijación. Aplique este método cuando sea instruido a instalar tuercas de fijación.

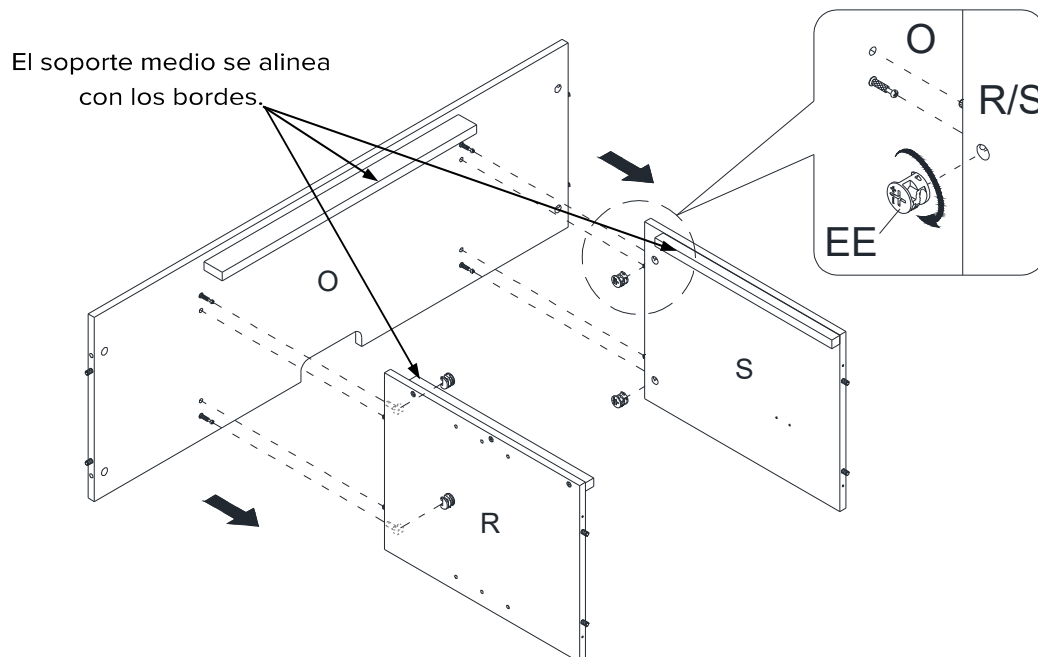
- Adjuntar el soporte medio (X) a la repisa media (O) empleando 3 tuercas de fijación (EE).



## Ensamble (continuación)

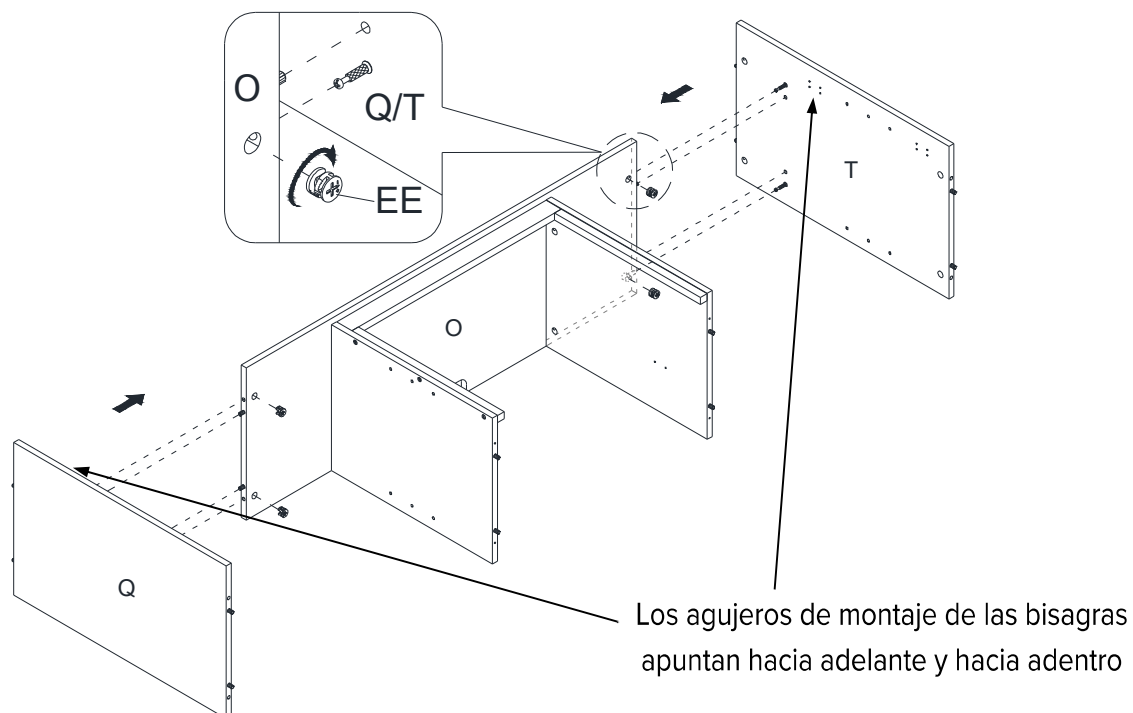
### 5 Adjuntando los paneles divisores inferiores

- Adjuntando los paneles divisores inferiores ensamblados (R y S) a la repisa media (O) empleando 4 tuercas de fijación (EE) como se muestra.



### 6 Adjuntando los paneles laterales

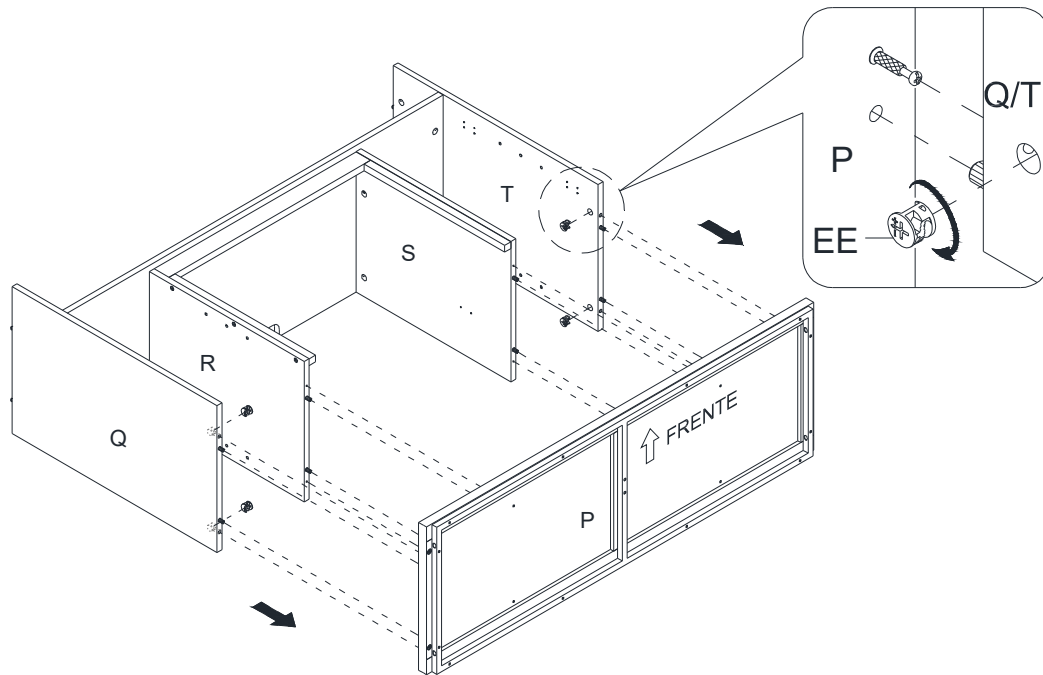
- Alinear y adjuntar el panel izquierdo (Q) a la repisa media (O) empleando 2 tuercas de fijación (EE).
- Repetir el mismo procedimiento con el panel derecho (T).



## Ensamble (continuación)

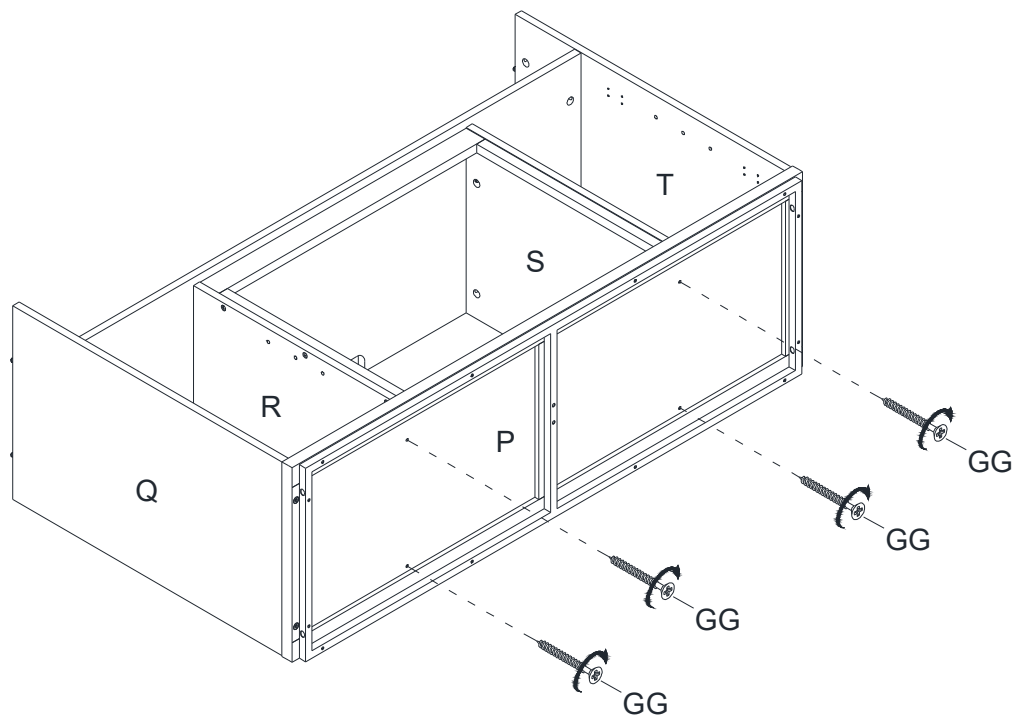
### 7 Adjuntando el panel inferior

- Usando las clavijas de madera como guía, presionar el panel inferior (P) a los paneles verticales (Q, R, S y T).
- Sujetar ambos paneles laterales (Q y T) al panel inferior (P) empleando 4 tuercas de fijación (EE).



### 8 Sujetando los paneles divisores

- Insertar 4 pernos de cabeza plana largos (GG) a través del panel inferior (P) y atornillar en los paneles divisores (R y S).

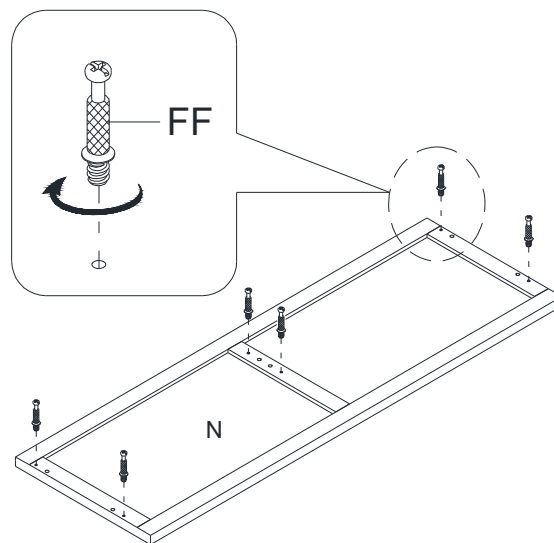
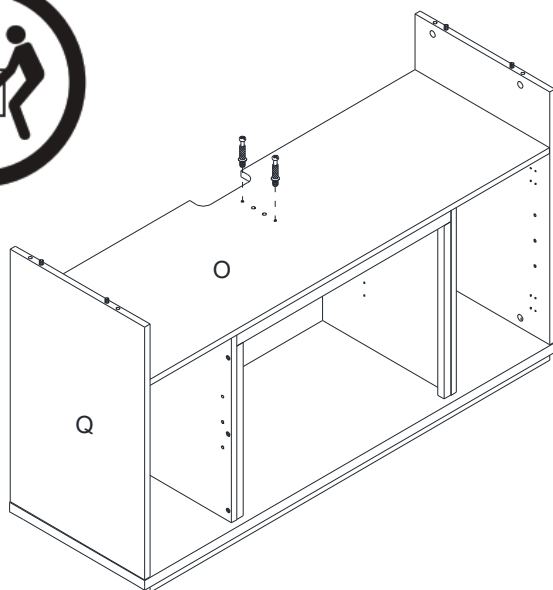




## Ensamble (continuación)

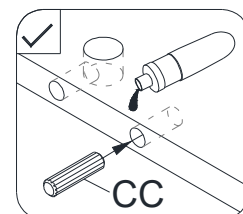
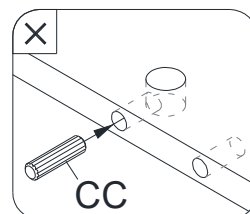
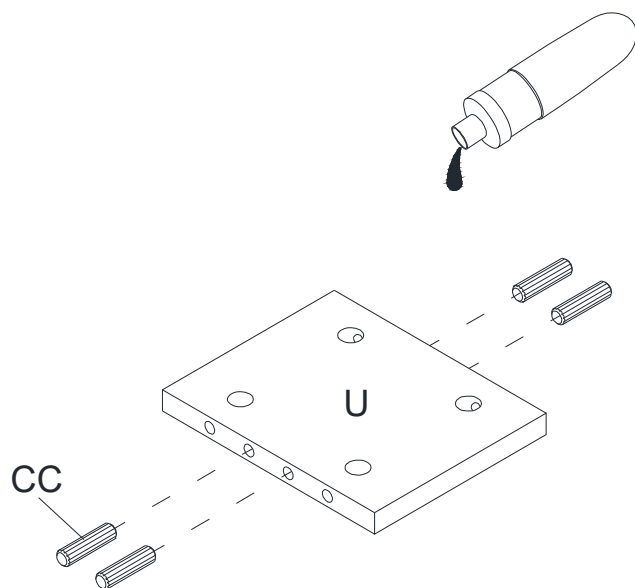
### 9 Preparando el ensamble del panel superior

- Pedir asistencia para poner la unidad en posición vertical.
- Atornillar los pernos de fijación (FF) en los agujeros pequeños designados en la superficie superior de la repisa media (O) y el panel superior (N) usando el desarmador estrella.



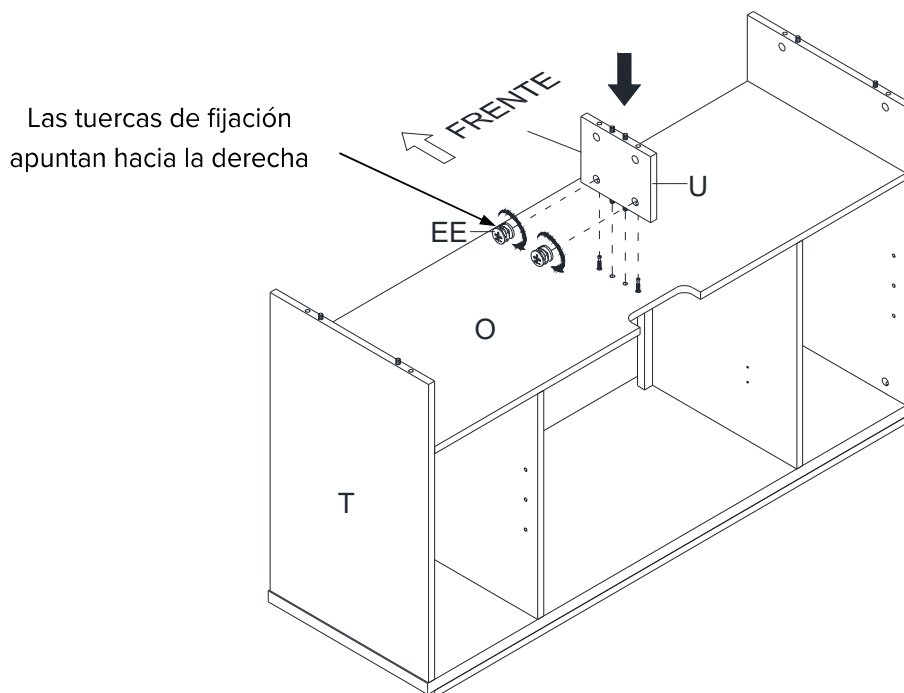
### 10 Pegando las clavijas de madera

- Pegar las clavijas de madera (CC) en los agujeros designados en el panel divisor superior (U) como se muestra.



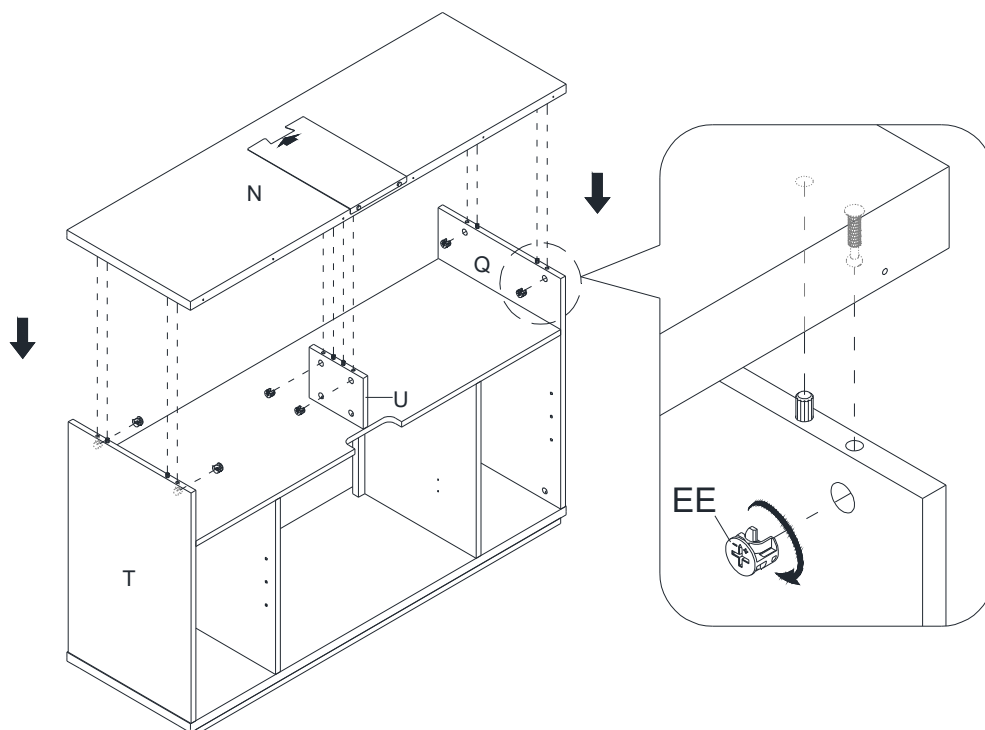
## 11 Adjuntando el panel divisor superior

- Orientar y sujetar el panel divisor superior ensamblado (U) a la repisa media (O) usando 2 tuercas de fijación (EE).



## 12 Adjuntando el panel superior

- Alinear y adjuntar el panel superior (N) sobre ambos paneles laterales (Q y T) y el panel divisor superior (U) y sujetar en su lugar empleando 6 tuercas de fijación (EE).

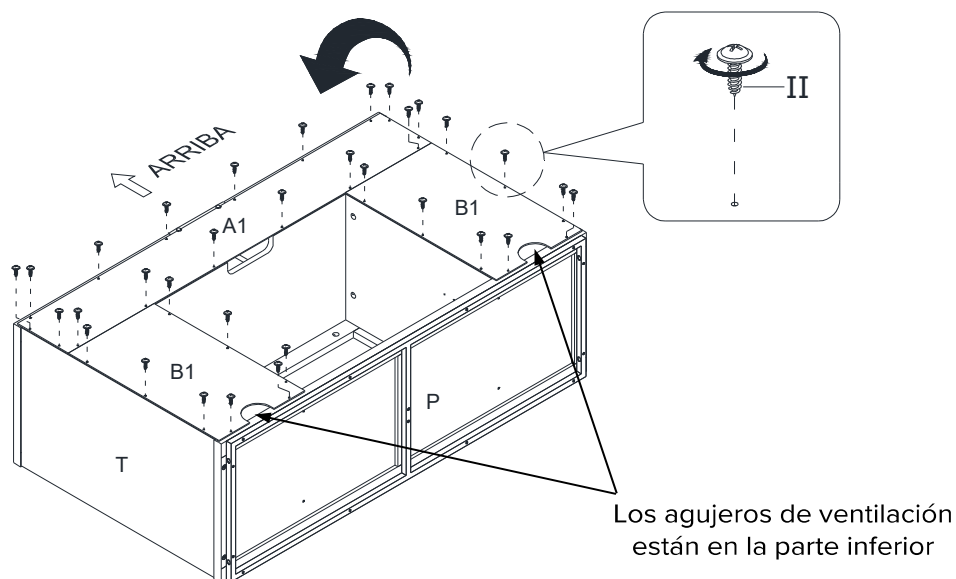


### 13 Instalando los paneles posteriores

- Ahora, volver y apretar todas las tuercas de fijación y los pernos. Asegurar que todas las partes estén apretadas y de que no hay huecos entre las partes. Esto ayudara a mantener la unidad cuadrada.
- Pedir asistencia para voltear el ensamble previo en sus bordes frontales.
- Tomar el panel superior posterior (A1) y alinear los agujeros pre-perforados contra el borde superior largo con los agujeros pilotos en la parte posterior del panel superior (N). Sujetar en su lugar con los pernos de cabeza de arandela provistos (II).
- Usando los agujeros pilotos como guía, alinear y adjuntar los paneles laterales posteriores (B1) al marco del delantal con los pernos de cabeza de arandela (II).

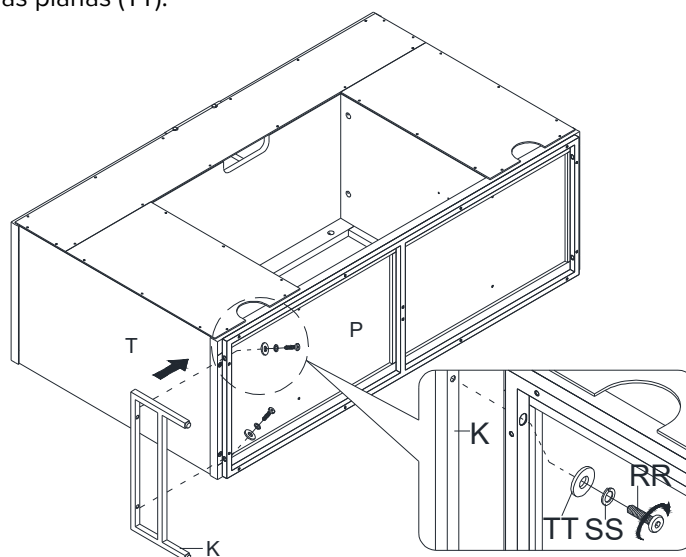


**NOTA:** Recomendamos adjuntar el panel posterior con pernos en las esquinas primero.



### 14 Adjuntando la pata derecha

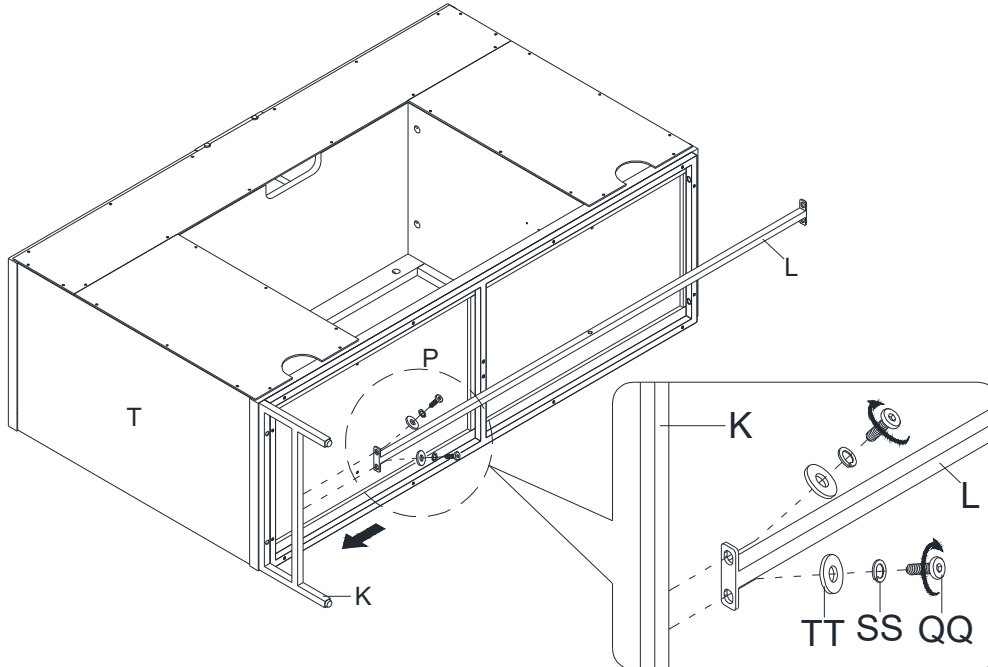
- Tomar una pata (K) y adjuntar al riel derecho del panel inferior (P) usando 2 pernos medios (RR), 2 arandelas de presión (SS) y 2 arandelas planas (TT).



## Ensamble (continuación)

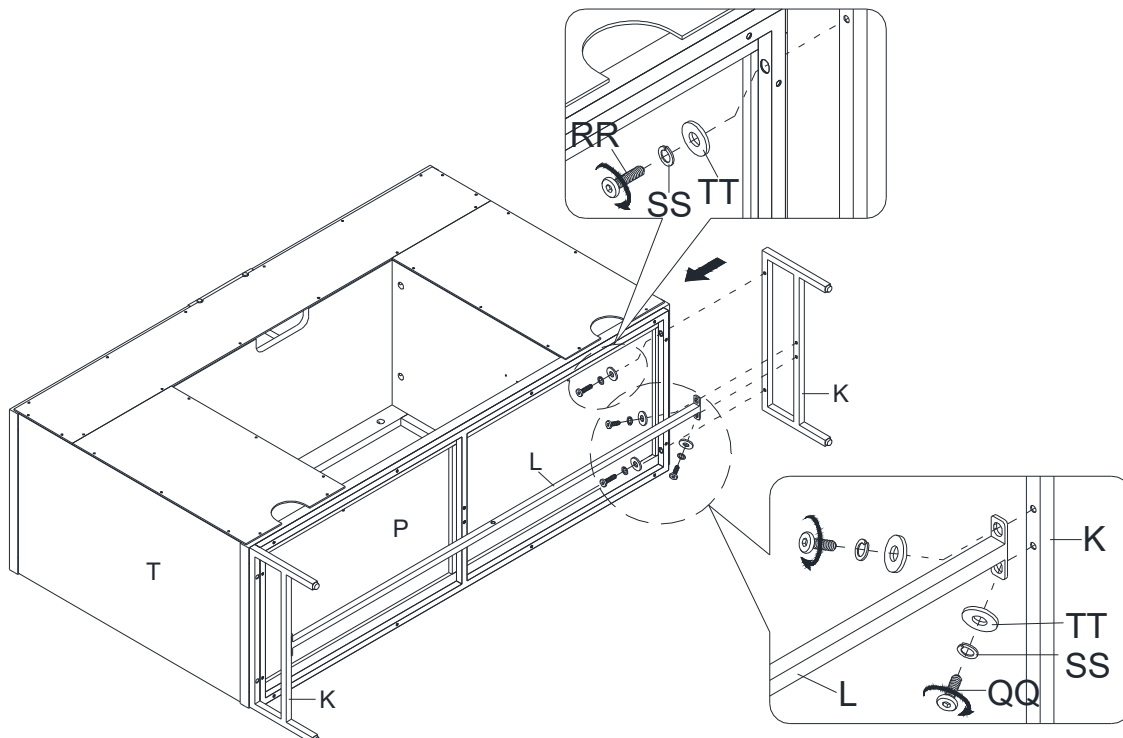
### 15 Adjuntando el soporte inferior

- Adjuntando el soporte inferior (L) a la pata derecha (K) usando 2 pernos pequeños (QQ), 2 arandelas de presión (SS) y 2 arandelas planas (TT).



### 16 Adjuntando la pata izquierdo

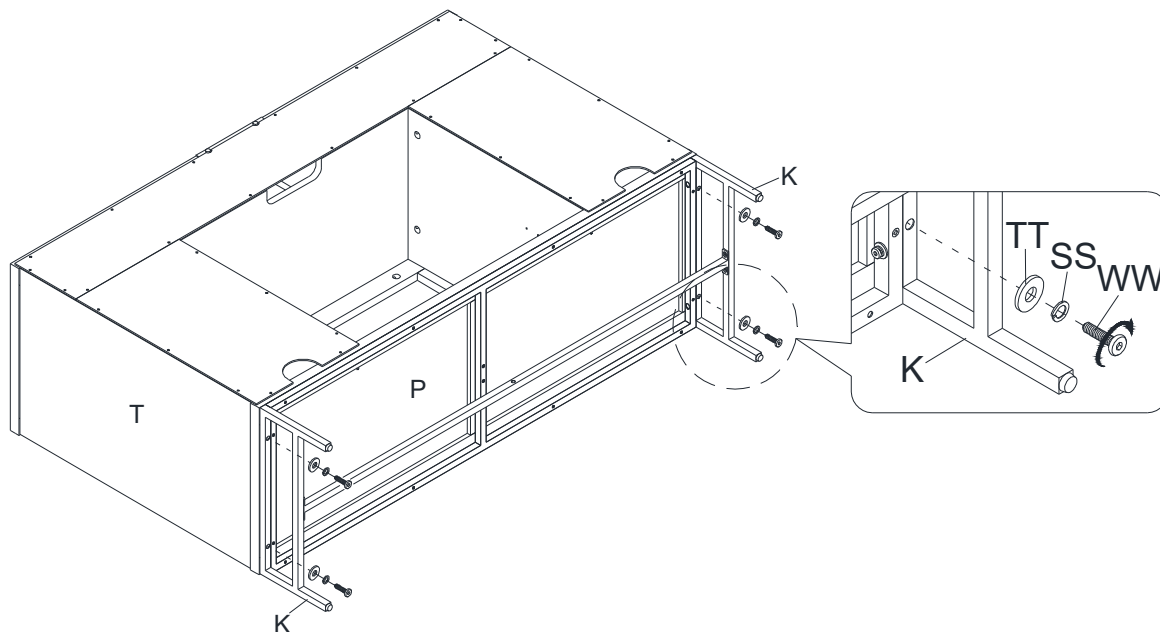
- Repetir el mismo procedimiento para adjuntar la otra pata (K) al lado opuesto.



## Ensamble (continuación)

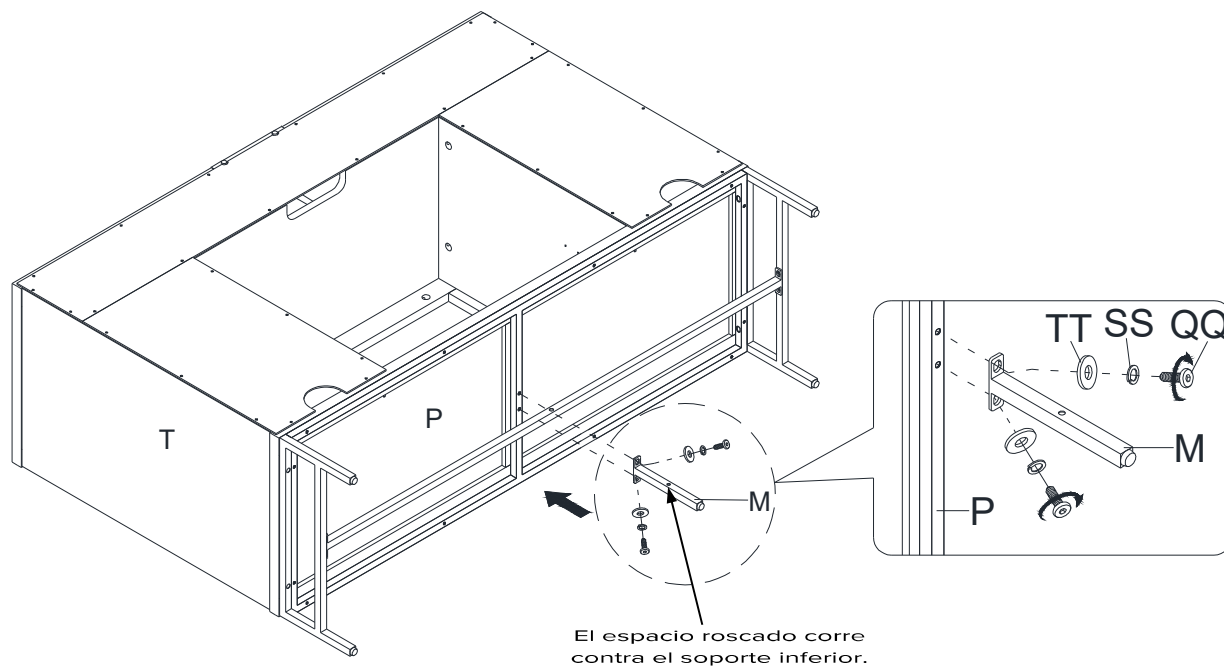
### 17 Sujetando patas

- Insertar 4 pernos grandes (WW) con las arandelas de presión (SS) y las arandelas planas (TT) a través de los rieles superiores de ambas patas (K) y atornillar en el panel inferior (P).



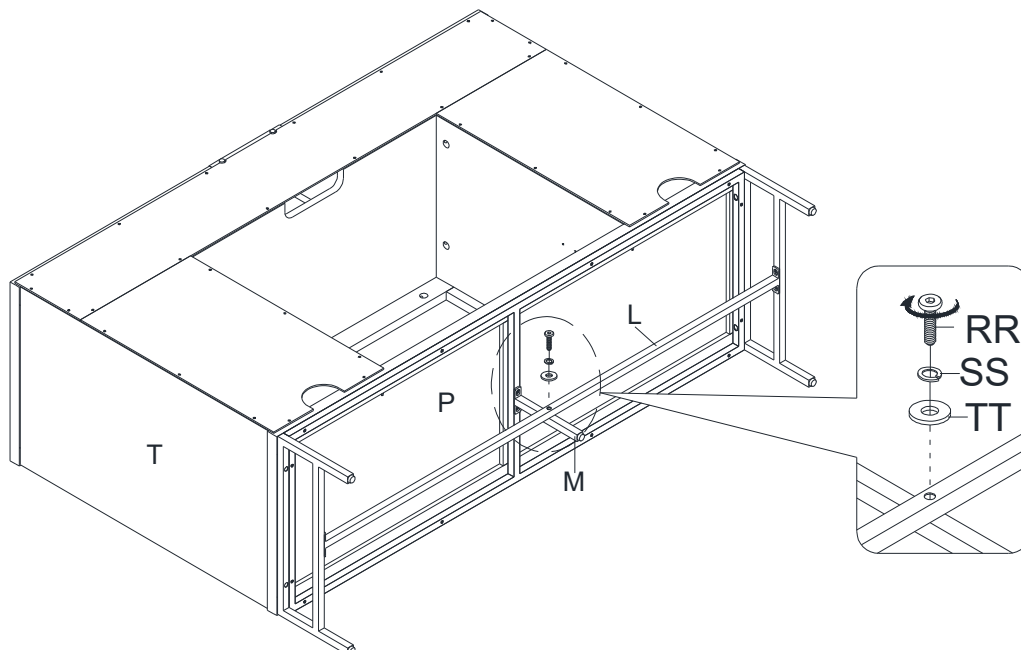
### 18 Adjuntando la pata central

- Alinear y adjuntar la pata central (M) al riel medio en el panel inferior (P) con 2 pernos pequeños (QQ), 2 arandelas de presión (SS) y 2 arandelas planas (TT).
- Ajustar el nivelador de piso a la altura correcta.



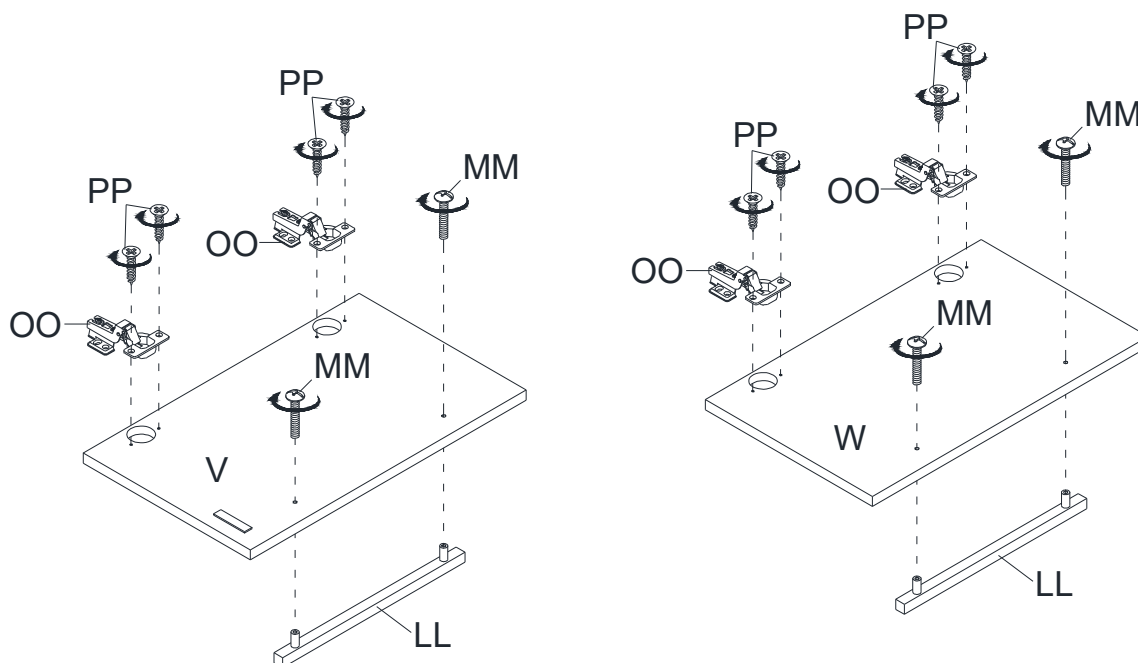
### 19 Sujetando la pata central

- Insertar un perno medio (RR), una arandela de presión (SS) y una arandela plana (TT) a través del soporte inferior (L) y atornillar en los insertos roscados en la pata central (M).



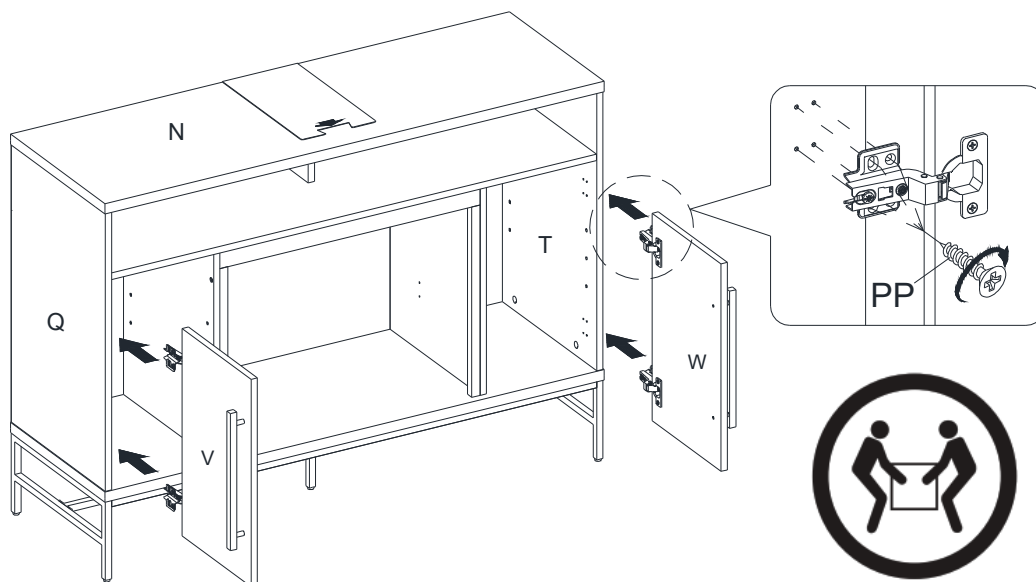
### 20 Instalando las bisagras de puertas y manijas

- Extender 2 bisagras de puerta (OO) y descansar las copas de bisagra sobre los recortes de cada puerta (V y W). Asegurar las bisagras de puertas (OO) en su lugar usando 2 pernos de níquel (PP) en cada bisagra.
- Adjuntar una manija (LL) al lado frontal de cada puerta (V y W) con 2 pernos para manija (MM).



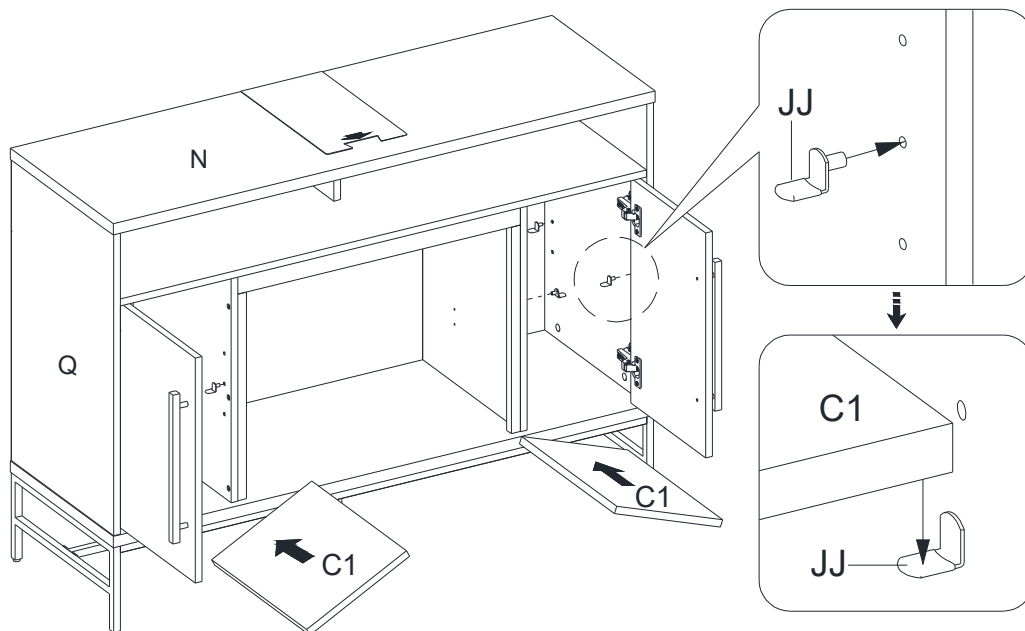
### 21 Adjuntando los paneles de puerta

- Pedir por asistencia para poner la unidad ensamblada en posición vertical y cerca de la posición final.
- Usando los agujeros pilotos como guía, tomar la puerta izquierda (V) y sujetar las bases de bisagra sobre el panel izquierdo (Q) con 8 pernos de níquel para bisagra (PP).
- Repetir el mismo procedimiento con la puerta derecha (W).
- Abrir y cerrar las puertas para asegurar de que estén alineadas y se cierran correctamente. Si fuera necesario, ajustar los pernos para un buen ajuste. Referirse a la etiqueta de la bisagra en el marco de la puerta para ajustar.



### 22 Instalando las repisas ajustables

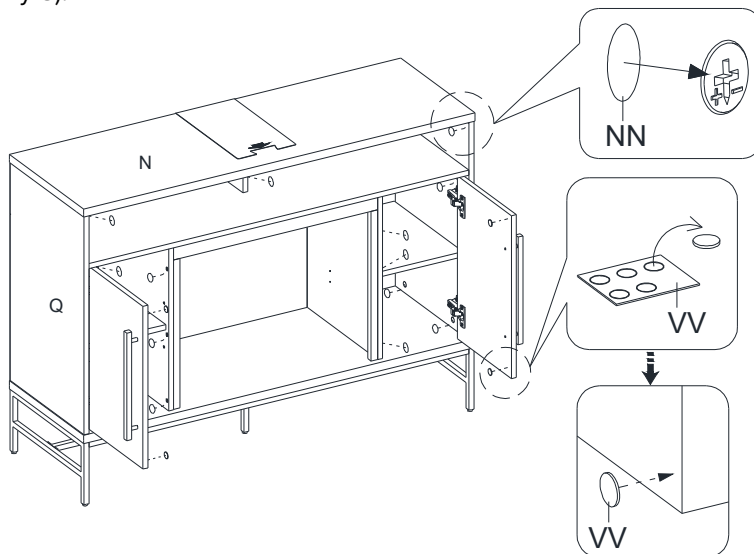
- Abrir las puertas e insertar 4 soportes para repisa (JJ) en los agujeros a la altura deseada dentro de cada compartimiento lateral. Asegurar de poner 4 soportes para repisa en el mismo nivel para hacer un nivel de repisa.
- Inclinar y descansar las repisas ajustables (C1) sobre los soportes para repisa (JJ).



## Ensamble (continuación)

### 23 Adjuntando las etiquetas de papel y los topes de plástico

- Poner las etiquetas de papel (NN) sobre las tapas de fijación y pernos visibles.
- Poner los topes de plástico (VV) en las esquinas exteriores de las puertas donde están en contacto con los paneles divisores inferiores (R y S).



### 24 Adjuntando los brazos verticales

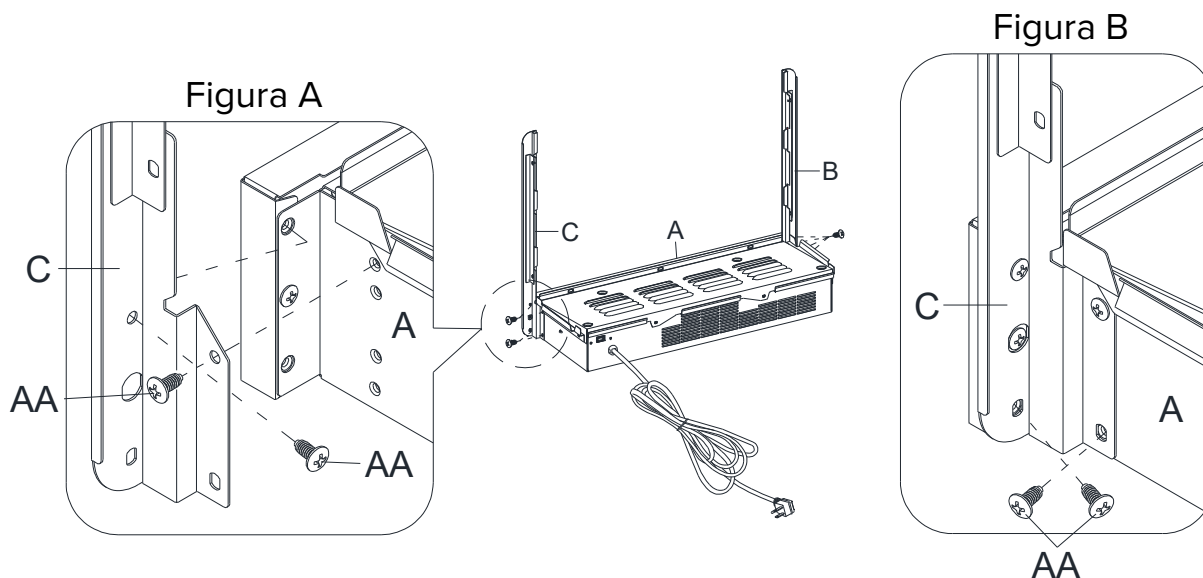


**NOTA:** Usar el desarmador manual, no usar un taladro para ensamblar el inserto de chimenea. Vea BILT para instrucciones por medio de un video.

- Vea la figura A: Sujetar 2 pernos superiores (AA) a través del brazo vertical (C) hacia el calentón (A) hasta apretar.
- Vea la figura B: Sujetar 2 pernos inferiores (AA) en el brazo vertical (C) hasta apretar.
- Apriete completamente los 4 pernos (AA) por última vez.
- Repetir el mismo procedimiento con brazos verticales (B).



**ADVERTENCIA:** No levante ni transporte el calentón usando los brazos verticales.





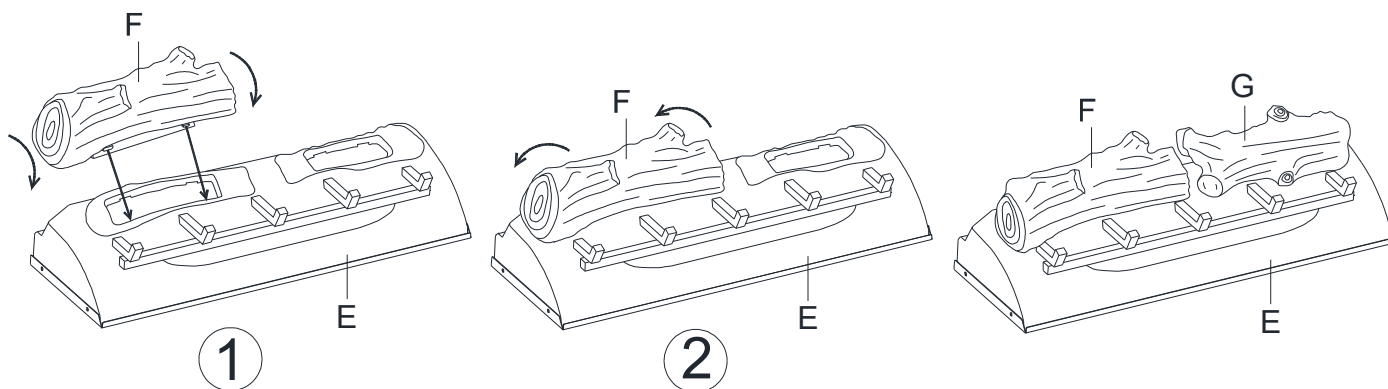
## Ensamble (continuación)

# 25 Adjuntar los troncos al lecho de brasas



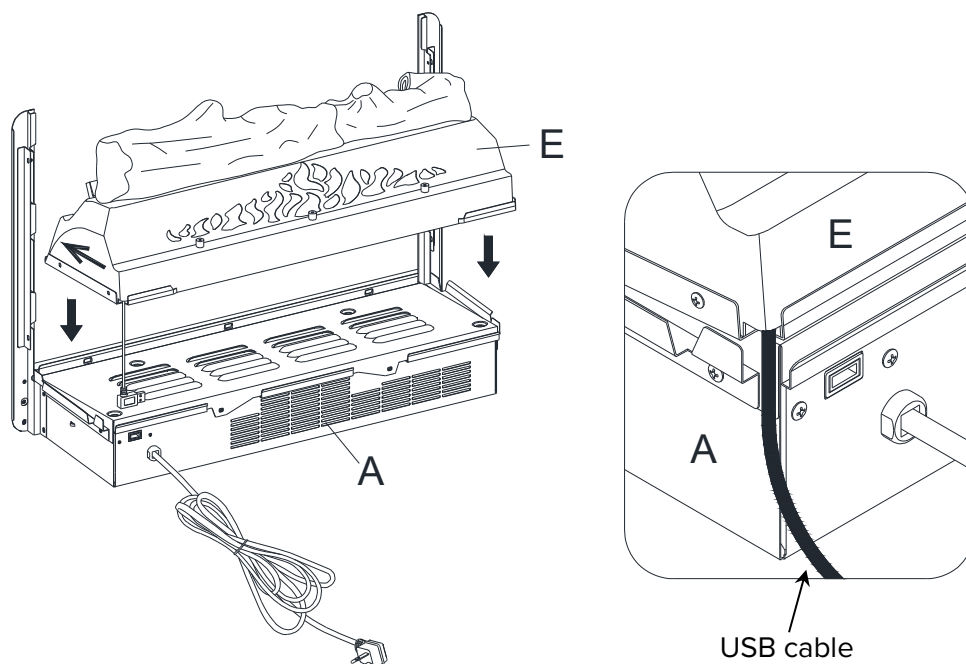
**IMPORTANTE:** Seguir cuidadosamente los 2 pasos de abajo para insertar cada tronco.

1. Instalar el tronco izquierdo (F) en el agujero izquierdo del lecho de brasas (E) insertando el borde frontal de la base del tronco en las ranuras frontales del agujero del lecho de brasas.
  2. Inclinarse hacia atrás para insertar el borde posterior de la base del tronco en las ranuras posteriores del agujero del lecho de brasas (presionar hacia abajo el tronco para trabar en su posición).
- Repetir el proceso de arriba para el tronco derecho (G).



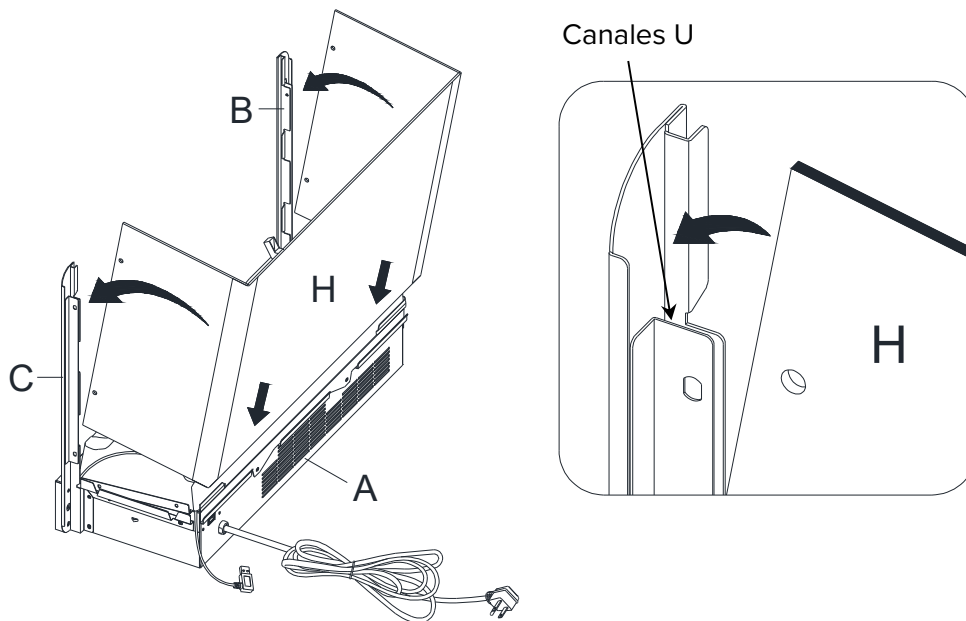
# 26 Posicionando el lecho de brasas

- Poner el lecho de brasas (E) sobre el calentón (A) como se muestra.
- Empujar el lecho de brasas hacia adelante contra la pestaña frontal del calentón.
- Posicionar el cable USB como se muestra abajo.



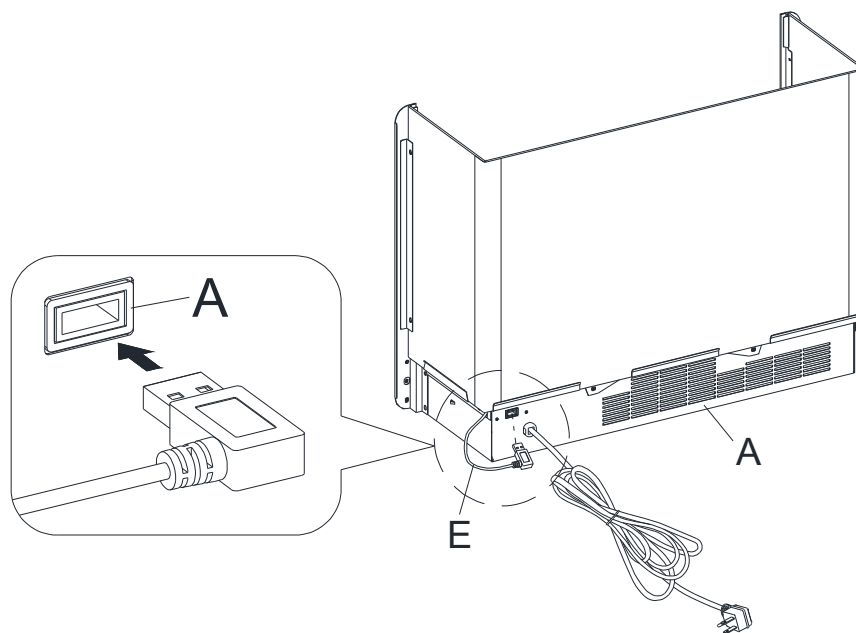
### 27 Adjuntando el panel pared

- Doblar el panel pared (H) como se muestra. Luego póngase usted en la parte posterior del calentón (A).
- Mantener el panel pared (H) en el ángulo mostrado abajo e insertar el borde inferior posterior en los espacios de metal en la parte posterior del calentón (A).
- Inclinar el panel pared (H) hacia adelante hasta que la esquina inferior entre en los canales U inferiores en ambos brazos verticales (B y C).
- Continúe inclinando el panel pared (H) hacia adelante hasta que la esquina superior entre en los canales U superiores en ambos brazos verticales (B y C).



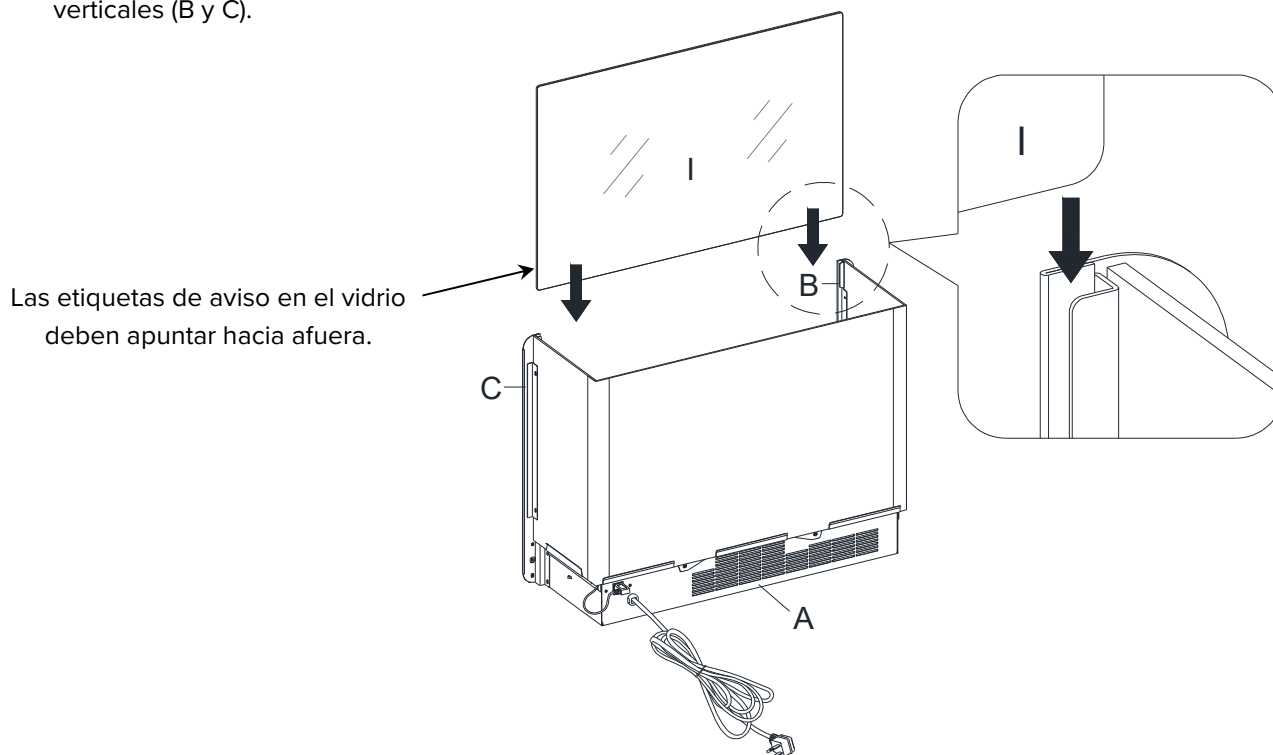
### 28 Conectando el cable del lecho de brasas al calentón

- Enchufar completamente el conector USB al lecho de brasas (E) en el puerto posterior del calentón (A).



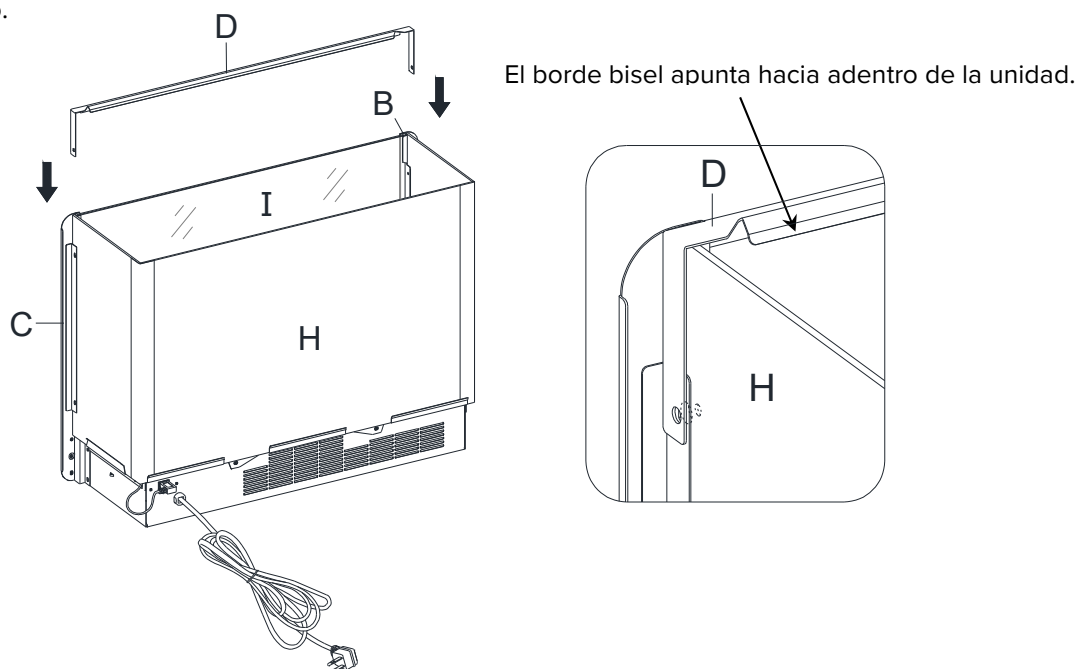
### 29 Insertando el vidrio

- Deslizar el vidrio (I) en los canales U internos en ambos brazos verticales (B y C) hasta que el vidrio esté sobre el calentón (A). Si es necesario, empuje la parte superior de los brazos verticales hacia adentro o hacia afuera para acomodar el vidrio. Asegurar que la parte superior del vidrio (I) esté nivelada con la parte superior de ambos brazos verticales (B y C).



### 30 Posicionando la correa de conexión

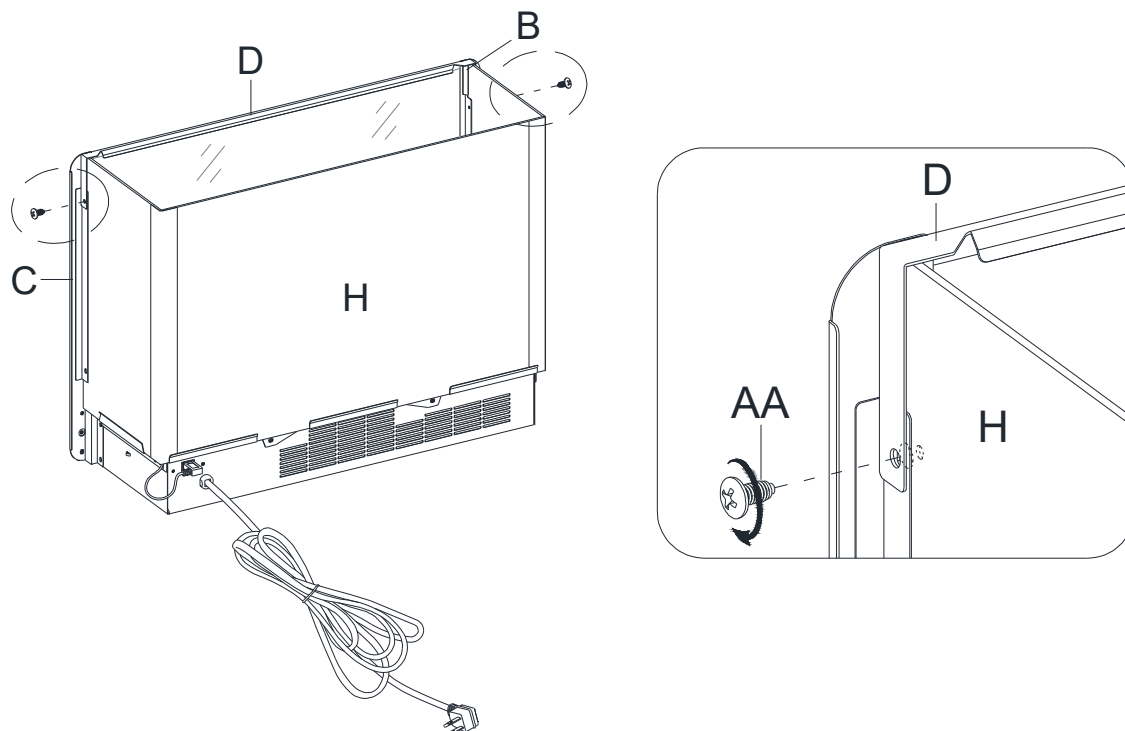
- Posicionar la correa de conexión superior (D) sobre el vidrio (I) y brazos verticales (B y C). Seguir la orientación mostrada abajo.



## Ensamble (continuación)

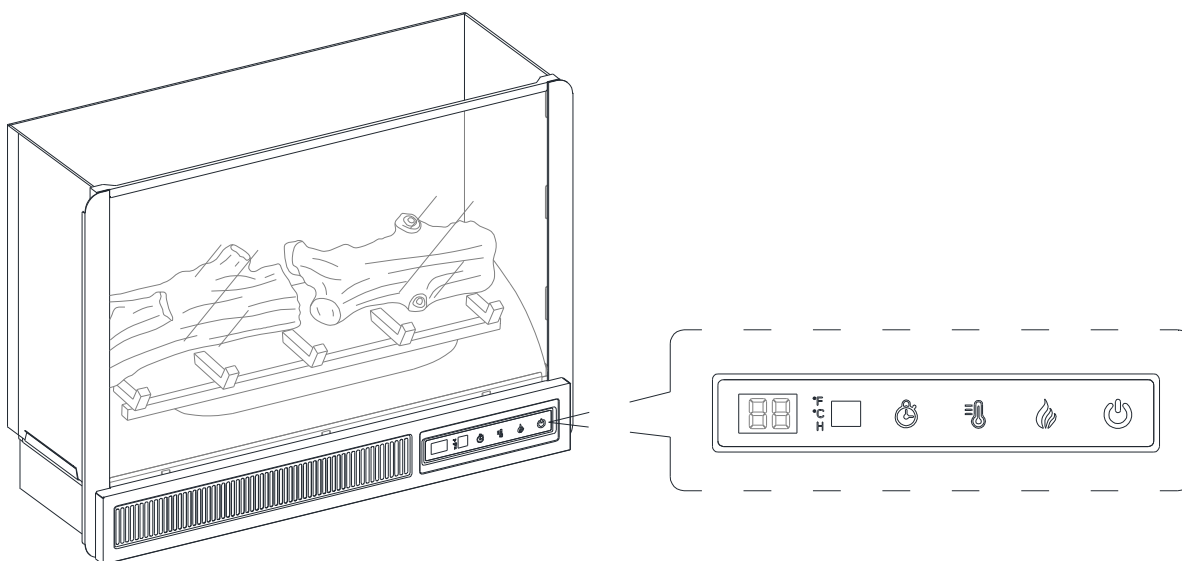
### 31 Adjuntando la correa conector

- Sujetar la correa conectora (D) a ambos brazos verticales (B y C) usando 2 pernos (AA) como se muestra abajo. Los agujeros deben estar alineados para que pase el perno a través de.



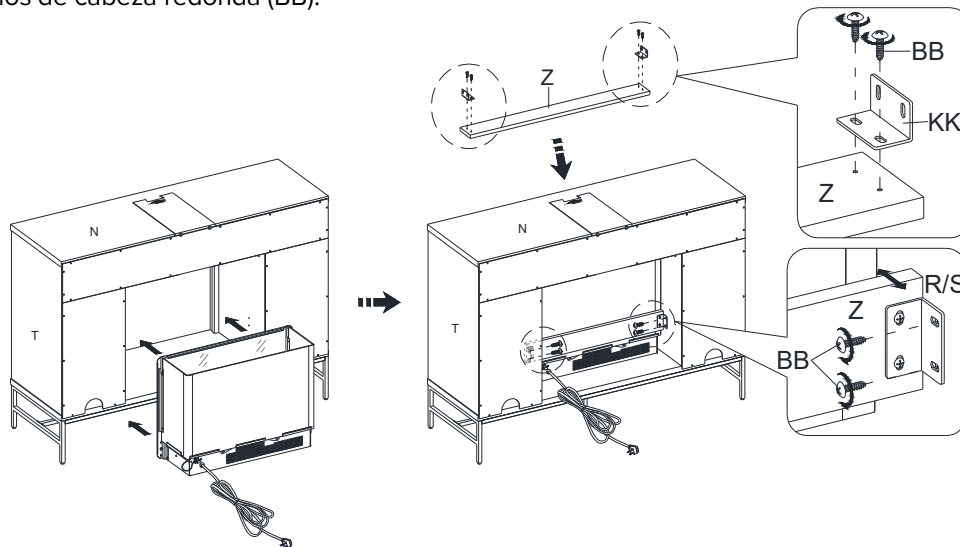
### 32 Terminando el ensamble del inserto de chimenea

- La caja de fuego esta lista para el siguiente paso de ensamble.



### 33 Instalando el inserto de chimenea

- Levantar el inserto de chimenea en la parte posterior del delantal ensamblado y centrarlo en el panel inferior de la abertura.
- Usando los agujeros piloto como guía, sujetar 2 soportes L (KK) sobre el soporte de la caja de fuego (Z) con 4 pernos de cabeza redonda (BB). Asegurar de que el lado de ángulo recto este nivelado con el borde corto del soporte de la caja de fuego (Z).
- Usando los agujeros piloto como guía, sujetar el soporte de la caja de chimenea (Z) entre los paneles divisores (R y S) con 4 pernos de cabeza redonda (BB).



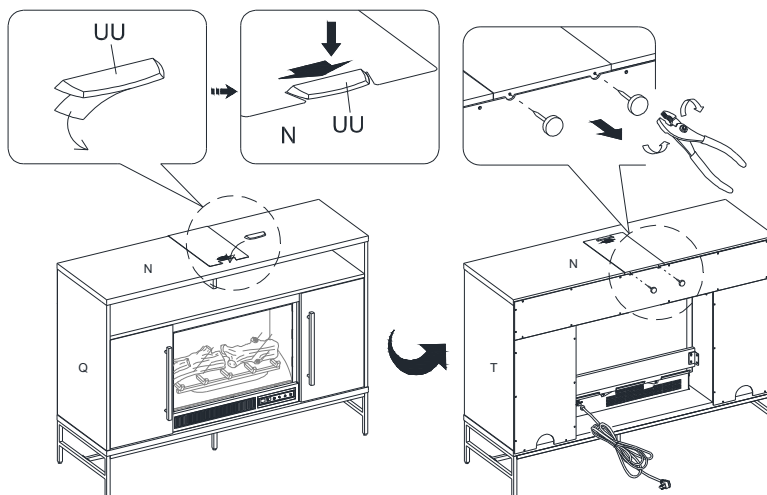
### 34 Instalando el tope de acrílico

- Retirar el respaldo de papel del tope de acrílico (UU), luego alinear apropiadamente el tope de acrílico en el recorte en el temple del tope de acrílico en la parte frontal del panel superior (N). Presionar el tope de acrílico para ayudar a la adhesión.



**NOTA:** Para prevenir que caiga su TV, usted debe instalar el tope de TV de acrílico si poner su televisión de pantalla plana en el panel superior. De otra manera, vaya al siguiente paso.

- En la parte posterior del panel superior (N), tomar las cabezas de las tachuelas de plástico con pinzas, con un movimiento giratorio jalar las tachuelas para sacar y retirar el templado del tope de acrílico.



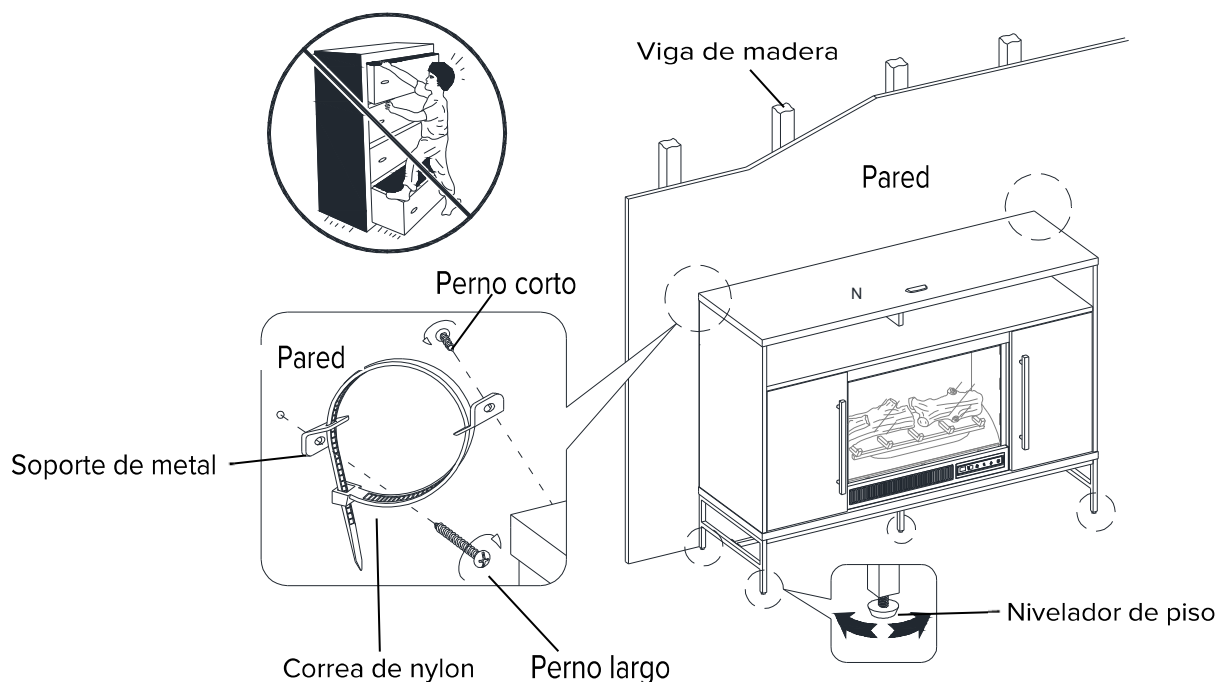
## Ensamble (continuación)

# 35 Instalando el juego de restricción de movimiento



**ADVERTENCIA:** Niños pequeños pueden resultar lastimados por muebles inclinados. Debe instalar el juego de restricción de movimiento con la unidad en función, para prevenir la inclinación de la unidad, causando cualquier accidente o daño. El tope de movimiento es solo un impedimento, no hay sustituto para la supervisión adulta. El tope de movimiento no es contra terremotos. Si deseara añadir la seguridad extra contra terremotos, deben ser comprados e instalados separadamente.

- ❑ Con asistencia, posicionar la chimenea en el lugar deseado contra la pared. Si fuera necesario, ajustar manualmente los niveladores de piso pre-adjuntados para corregir inclinación y nivelar las puertas, hasta que la unidad esté nivelada.
- ❑ Seguir las instrucciones impresas en la bolsa de plástico que contiene el juego de restricción de movimiento para adjuntar los toques de movimiento a la unidad y a la pared.
- ❑ Conectar la chimenea al transformador de poder. Seguir el manual de operación para el inserto de chimenea eléctrica para controlar su chimenea.



## ADVERTENCIA

- La unidad debe estar en una superficie a nivel o nivelada con el material de ferretería incluido (cuando aplique).
- No sentarse o pararse o permitir que niños se trepan, sienten, o paren en el producto ensamblado.
- Por razones de seguridad, es imperativo que la unidad se monte en la pared o el piso.
- La unidad se puede caer causando lesiones graves o la muerte.
- Nunca abrir más de un cajón a la vez.
- No exceder los límites de peso recomendado.
- Antes de cortar, perforar, o martillar en cualquier pared o piso, verificar el lugar de las líneas de electricidad, de agua, y de gas. Cortar puede causar lesiones graves.

# Cuidado y mantenimiento

Un plumón (no incluido para HDSLFP48L-1B) es provisto para en caso de pequeños golpes o rayaduras que puedan ocurrir durante el ensamble o envío.

Para limpiar y cuidar su mueble:

- Use una toalla suave y limpia que no rayara la superficie al limpiar.
- Uso de cera para pulir muebles no es necesario. Si desea usar cera, pruébela en un área que no sea visible.
- Usar solventes de cualquier tipo puede dañar el acabado del mueble.
- Nunca use agua para limpiar la unidad, ya que le puede dañar el acabado.
- Siempre utilice protección para vasos y floreros cuando los ponga sobre la unidad.
- Líquidos derramados deben limpiarse inmediatamente, con una toalla suave evitando tallar.
- Siempre utilizar protectores en caso de poner cosas calientes. El calor puede provocar una reacción química en el acabado y dañarlo.
- En caso que su unidad sea manchada o dañada de otra forma durante el uso, le recomendamos hablar a un profesional para que le ayude.
- Revisar los pernos periódicamente y apretar en caso necesario.

## CUIDANDO SU MUEBLE DE MADERA

Es mejor mantener la unidad en un área de clima controlado. Temperatura extrema y cambios de humedad pueden causar cambios como partes pandas, molduras que se contraigan o que la madera se raje. Es recomendable mantener la unidad lejos del sol directo ya que puede dañar el acabado.

Cuidados adecuados y limpieza pueden extender la vida útil de su unidad. Siga estas recomendaciones y mantendrá su mueble en buenas condiciones de uso por muchos años.

## LIMPIANDO EL BORDE DE LA CHIMENEA

Limpiar el borde de metal usando una toalla suave, ligeramente mojado con productos basado en aceite cítrico y pulir con una toalla limpia suave. NO use cera para latón o limpiadores de casa ya que estos productos dañaran el borde de metal. Productos basados en aceite cítrico se pueden obtener en el supermercado o en tiendas de ferretería.

SCOTT  LIVING™

BY DREW & JONATHAN

---



No estamos contentos a menos que usted esté contento, por lo que ofrecemos una Garantía de 30 días Love It. Si por alguna razón no le gusta su producto Scott Living, puede devolverlo a su lugar de compra dentro de los 30 días siguientes a la fecha de su recibo para un reembolso completo sin preguntas.

LA POLÍTICA DE DEVOLUCIONES DE LOS ARTÍCULOS PERSONALIZADOS VARÍA. POR FAVOR, CONSULTE CON SU DISTRIBUIDOR PARA MÁS DETALLES.

---

¿Preguntas, problemas, partes que falten? Antes de regresar a la tienda,  
llame al servicio al cliente

**1-866-942-5362**

Hora estándar del Pacífico: 8:30 a.m. - 4:30 p.m., de Lunes a Viernes

O visite nuestra página de Internet 24 horas al día, 7 días a la semana para asistencia

**[www.whalenfurniture.com](http://www.whalenfurniture.com)**

O mande un correo electrónico a **[parts@whalenfurniture.com](mailto:parts@whalenfurniture.com)**

**Guarde este manual para uso futuro.**