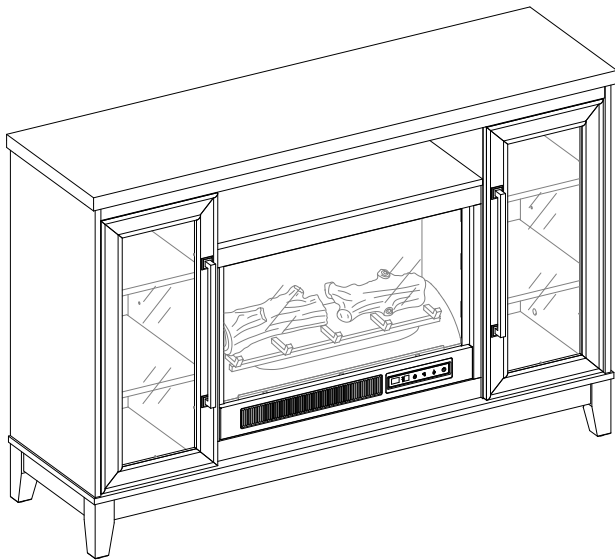
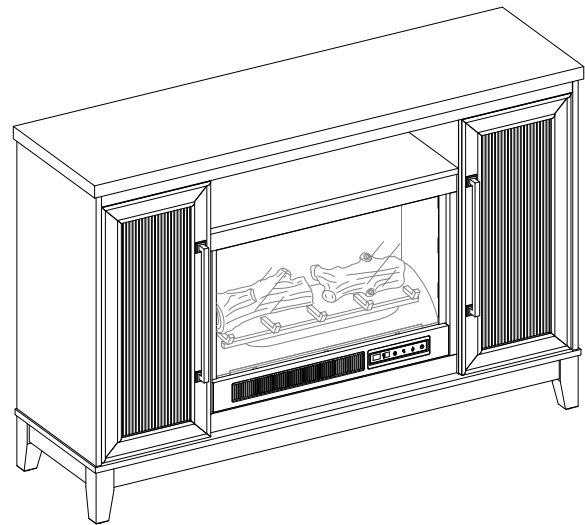

ASSEMBLY INSTRUCTIONS

Blaine 54in. Infrared Media Electric Fireplace



OR



Questions, problems, missing parts? Before returning to the store,
call Customer Service

1-866-942-5362

Pacific Standard Time: 8:30 a.m. - 4:30 p.m., Monday - Friday

Or visit our web site 24 hours a day, 7 days a week for product assistance at

www.whalenfurniture.com

Or e-mail your request to parts@whalenfurniture.com

THANK YOU

We appreciate the trust and confidence you have placed in Scott Living by Drew & Jonathan through the purchase of this electric fireplace/heater. We strive to continually create quality products designed to enhance your home. Visit us online to see our full line of products available for your home improvement needs.

Thank you for choosing Scott Living by Drew & Jonathan!

Table of Contents


Table of Contents2
Safety Information.....2
 Maximum Recommended Weight Loads2
Warranty2
Pre-Assembly.....2
 Planning Assembly2
 Tools Required2

Hardware Included3
Package Contents4
Assembly.....5
Care and Maintenance20
 Caring for Wood Furniture20
 Cleaning the Fireplace Trim.....20

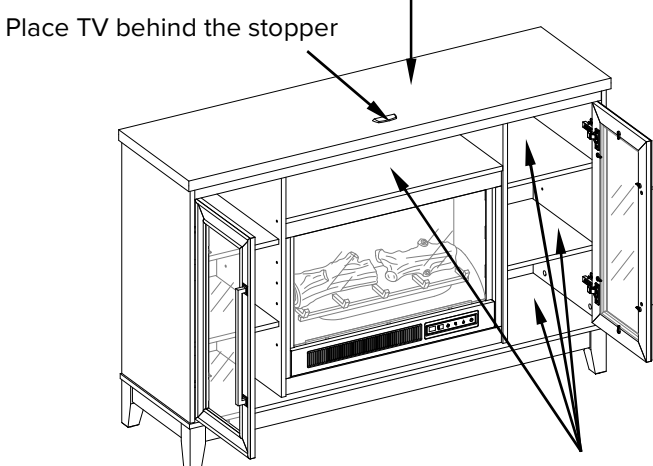
Safety Information

Please read and understand these instructions before assembling and using this console. Save these instructions for future reference.

MAXIMUM RECOMMENDED WEIGHT LOADS

 **WARNING:** This unit is not intended for use with CRT TVs. Use only with flat panel TVs and audio/video equipment meeting recommended size and weight limits. Never use with larger/heavier than recommended flat panel TVs or equipment. To avoid instability, place flat panel TV in the centre of the unit; the base of the television must be able to rest on the supporting surface of the unit without over-hanging the edges. Improperly positioned flat panel TVs, or flat panel TVs or other equipment that exceed recommended size and weight limits could fall off or break the unit, causing possible serious injury.

Fits up to most 165.1 cm / 65 in. diagonal flat-panel TVs
Maximum load 36.3 kg / 80 lb



Warranty


We are confident that you will be delighted with this purchase. Should this product be defective in workmanship or materials, or fail under normal use, we will repair or replace it for a period of up to one (1) year from date of purchase. This warranty gives you specific rights and you may also have other rights which vary from state to state. Contact the Customer Service Team at 1-866-942-5362 or visit www.whalenfurniture.com.

Pre-Assembly

PLANNING ASSEMBLY

Compare all parts with the Hardware Included and Package Contents list. If any part appears missing or damaged, do not assemble this product and contact the Customer Service Team at 1-866-942-5362.

TOOLS REQUIRED

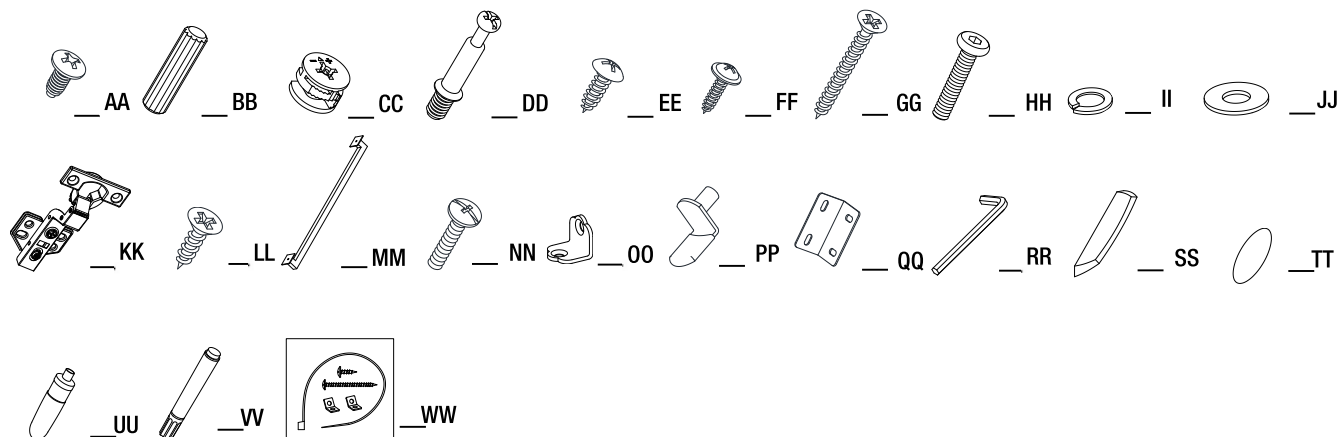
-  Phillips screwdriver (not provided)

Pre-Assembly (continued)

HARDWARE INCLUDED



NOTE: Hardware not shown to actual size.

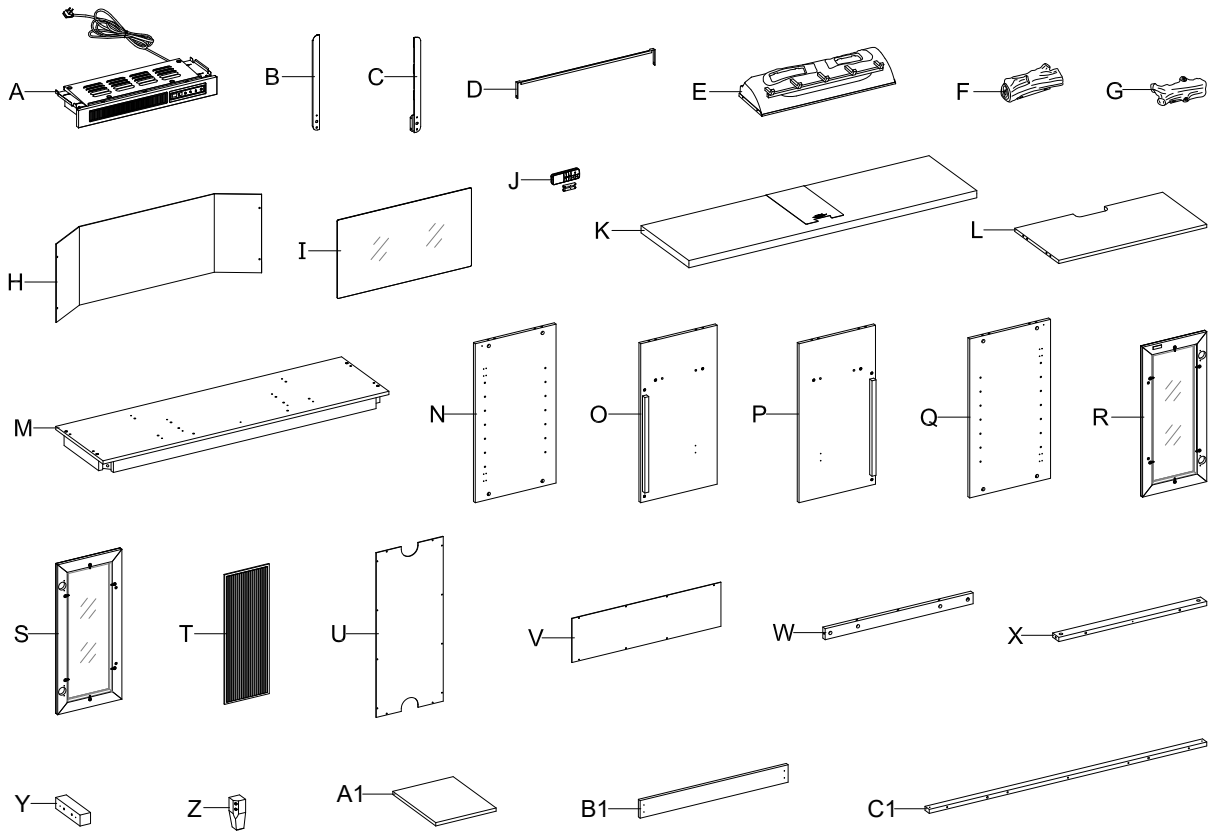


Part	Description	Quantity
AA	Insert screw	10+1 extra
BB	Wood dowel	29+1 extra
CC	Cam lock	22+1 extra
DD	Cam bolt	22+1 extra
EE	Pan head screw	12+1 extra
FF	Washer head screw	32+1 extra
GG	Long flat head screw	14+1 extra
HH	Bolt	8+1 extra
II	Lock washer	8+1 extra
JJ	Flat washer	8+1 extra
KK	Hinge	4

Part	Description	Quantity
LL	Nickel screw for hinge	24+1 extra
MM	Handle	2
NN	Handle bolt	4
OO	Small L-shaped bracket	2
PP	Shelf Support	16+1 extra
QQ	Large L-shaped bracket	2
RR	Hex wrench	1
SS	Acrylic stopper	1
TT	Paper cover	22+1 extra
UU	Glue	1
VV	Touch-up pen	1
WW	Tipping restraint hardware kit	2

Pre-Assembly (continued)

PACKAGE CONTENTS



Part	Description	Quantity
A	Heater	1
B	Left upright arm	1
C	Right upright arm	1
D	Connector strap	1
E	Ember bed	1
F	Left log	1
G	Right log	1
H	Firebox wall panel	1
I	Firebox glass	1
J	Remote control with battery	1
K	Top panel	1
L	Media shelf	1
M	Bottom panel	1
N	Left side panel	1

Part	Description	Quantity
O	Left partition panel	1
P	Right partition panel	1
Q	Right side panel	1
R	Left door	1
S	Right door	1
T	Wood door insert	2
U	Side back panel	2
V	Middle back panel	1
W	Middle crossbar	1
X	Firebox long support	1
Y	Firebox short support	2
Z	Leg	4
A1	Adjustable shelf	4
B1	Firebox holder	1
C1	Top front stretcher	1

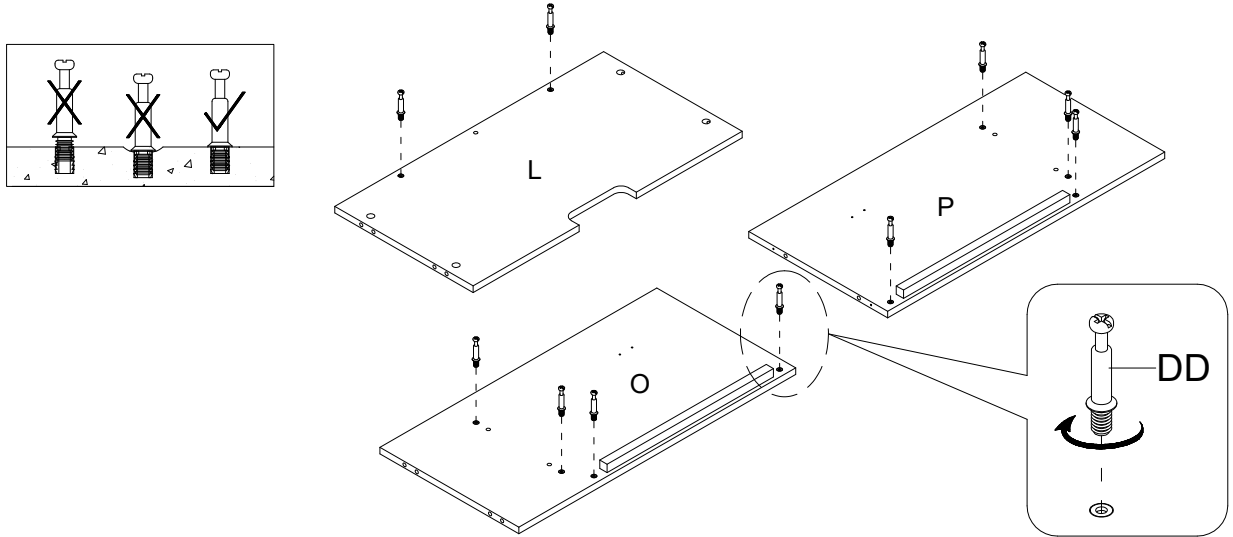
Assembly

1 Preparing media shelf and partition panels assembly



NOTE: Do not fully tighten all bolts until you finish assembling all parts. Once assembled, go back and fully tighten all bolts. This will make the assembly easier.

- Unpack the unit and confirm that you have all the hardware and required parts. Assemble the unit on a carpeted floor or the empty carton to avoid any scratches.
- Securely screw the cam bolts (DD) into the designated small holes on the media shelf (L) and partition panels (O and P) using a Phillips screwdriver.

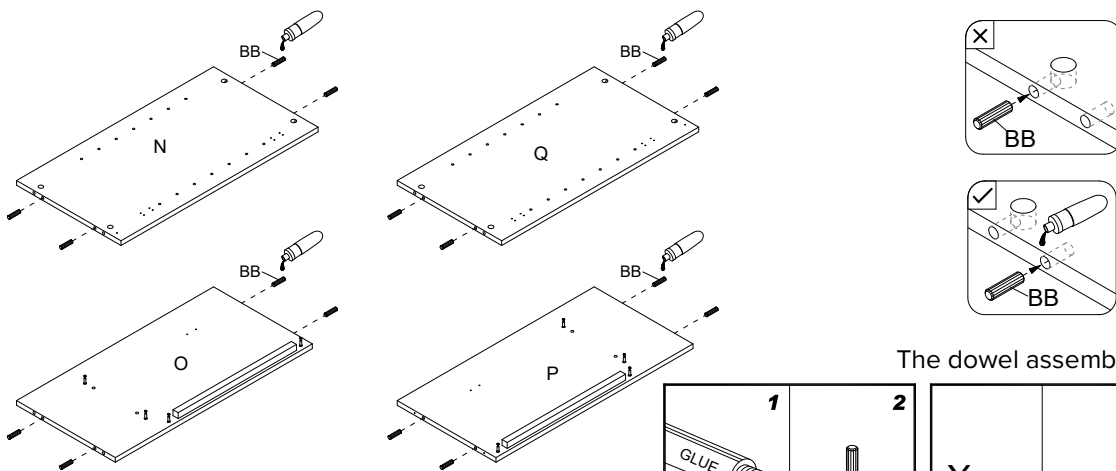


2 Gluing wood dowels



NOTE: Refer to the dowel guide drawings in this step for further clarification on how to properly glue in the wooden dowels. Apply this method whenever instructed to install wood dowels.

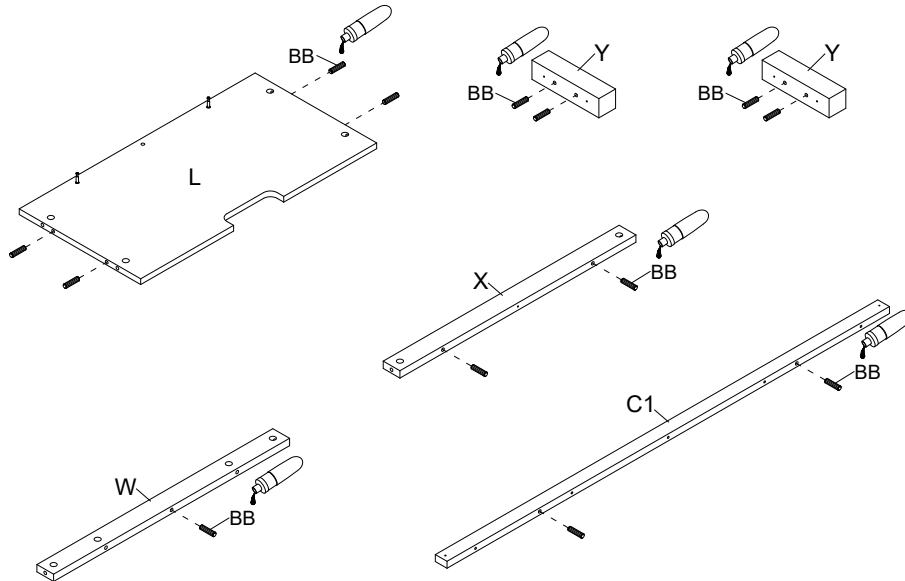
- Glue the wood dowels (BB) into the designated holes on the panels (N, O, P and Q) as shown. It is very important to use a small amount of glue on both ends of dowels and wipe away the excess glue immediately.



Assembly (continued)

3 Gluing wood dowels

- Glue the wood dowels (BB) into the designated holes on the media shelf (L), middle crossbar (W), firebox supports (X and Y) and top front stretcher (C1) as shown.

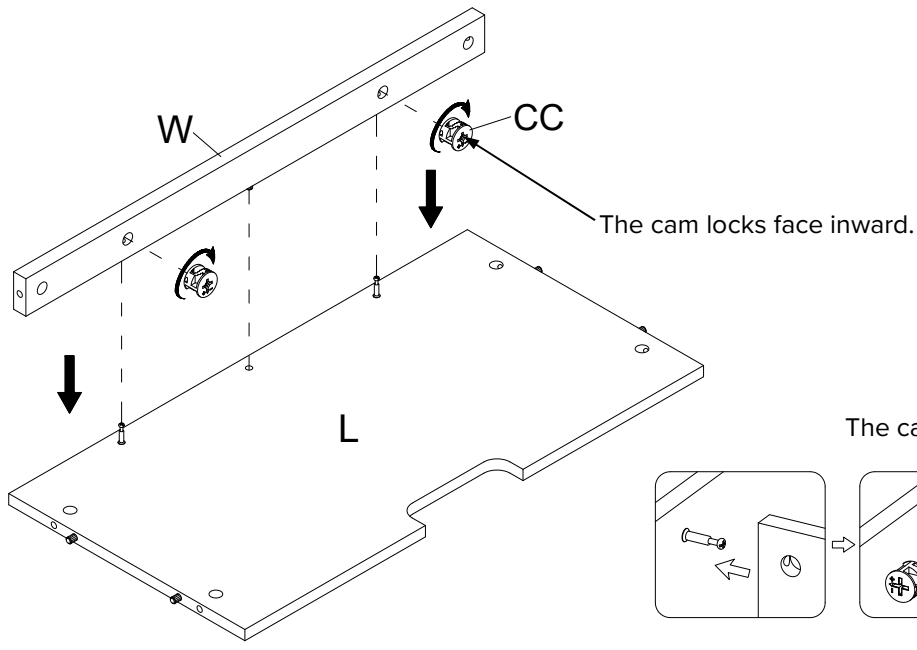


4 Attaching middle crossbar

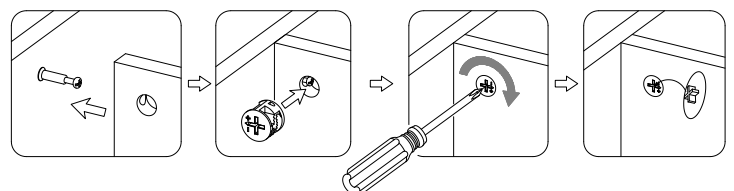


NOTE: Refer to the cam lock assembling guide drawings in this step for further clarification on how to properly install cam locks. Apply this method whenever instructed to install cam locks.

- Align and attach the middle crossbar (W) to the media shelf (L) and fasten it into place by engaging two cam locks (CC).



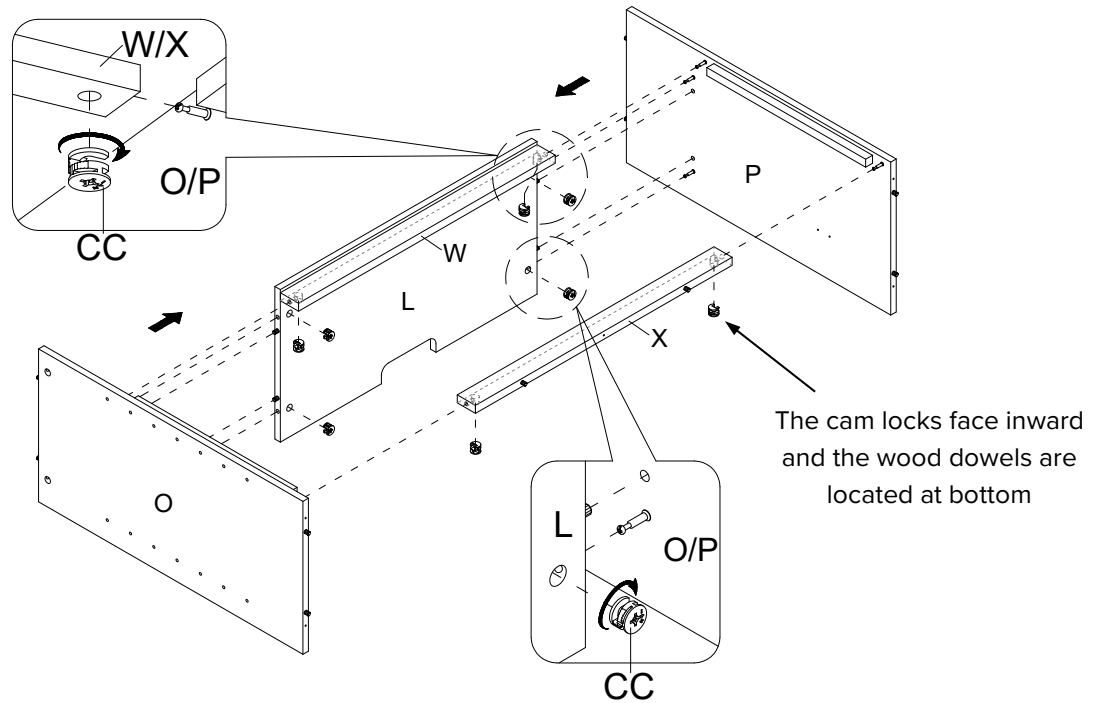
The cam lock assembling guide



Assembly (continued)

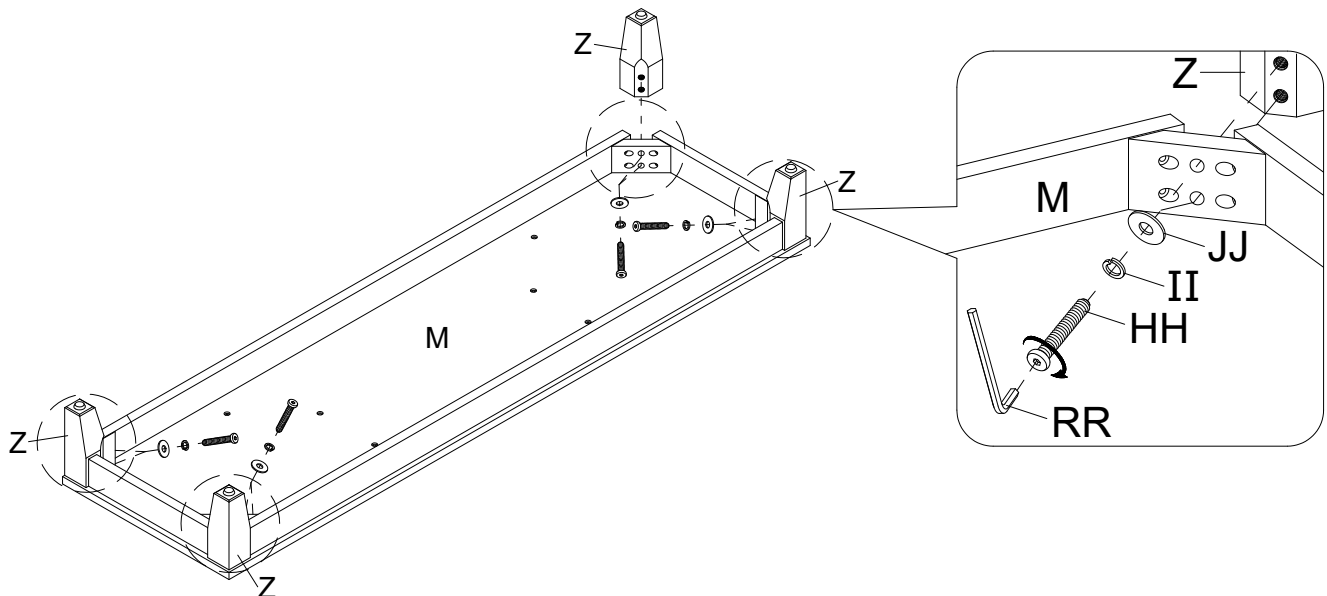
5 Attaching media shelf and firebox long support

- Align and attach the assembled media shelf (L) and firebox long support (X) to the left partition panel (O) by engaging four cam locks (CC).
- Repeat the same step to attach the right partition panel (P).



6 Attaching legs

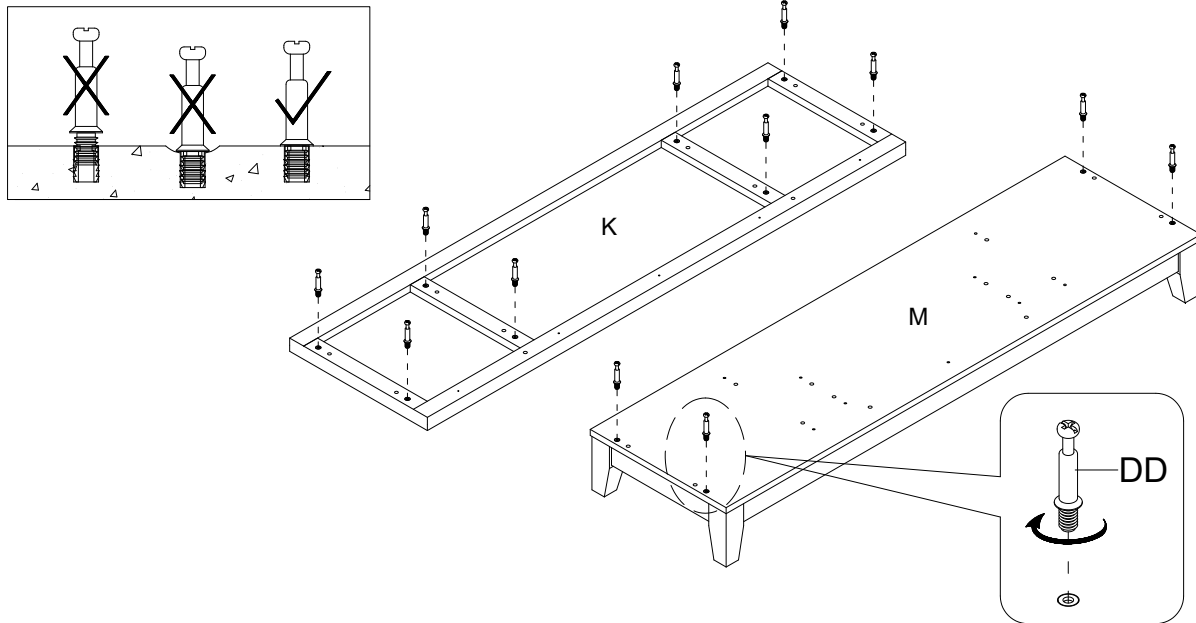
- Attach the legs (Z) to the bottom corners of the bottom panel (M) with two bolts (HH), two lock washers (II) and two flat washers (JJ) per leg.



Assembly (continued)

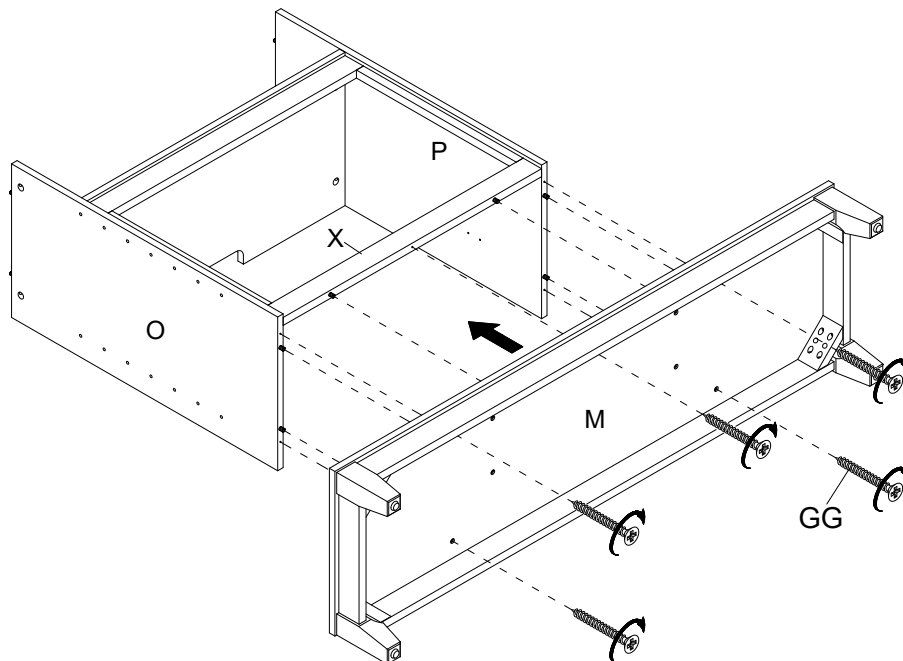
7 Preparing top and bottom panels assembly

- Securely screw the cam bolts (DD) into the designated small holes on the top and bottom panels (K and M) using a Phillips screwdriver.



8 Attaching partition panel assembly

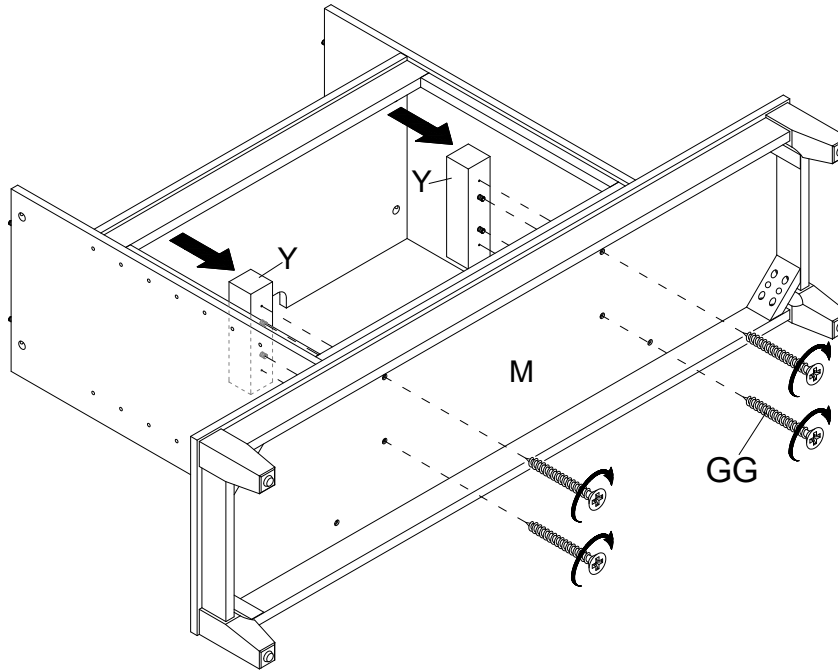
- Using the wood dowels as a guide, firmly press the previous assembly to the bottom panel (M) and fasten them into place with five long flat head screws (GG).



Assembly (continued)

9 Assembling firebox short supports

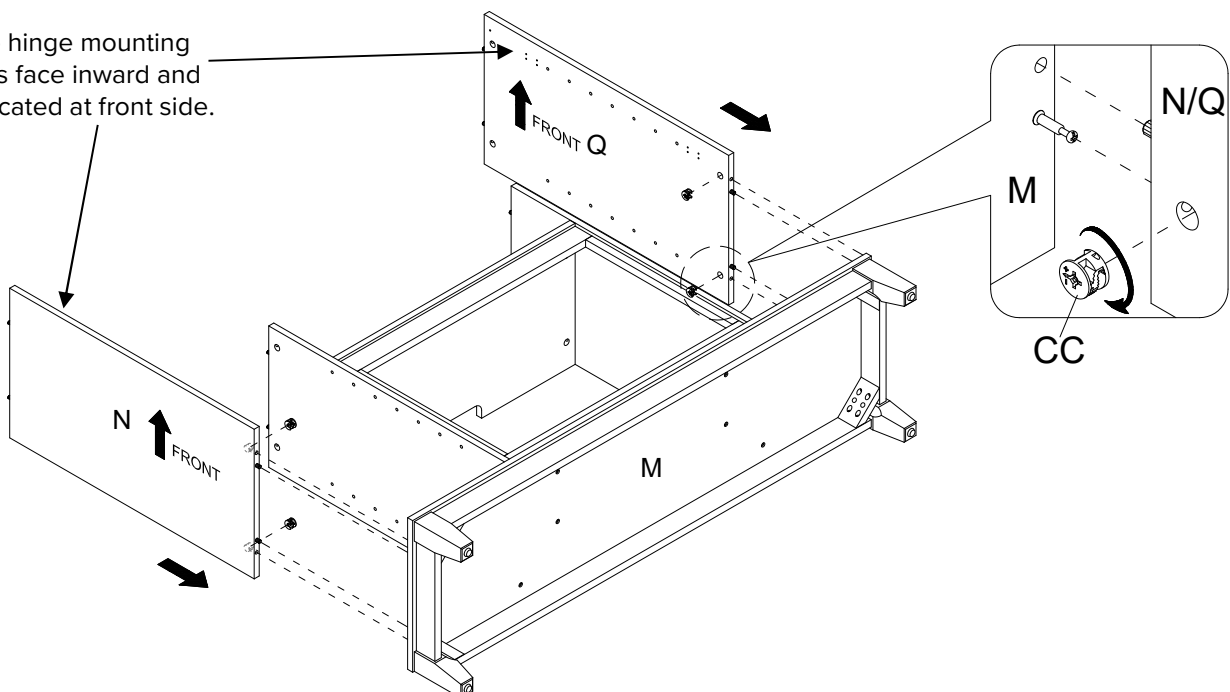
- Using the wood dowels as a guide, firmly press the firebox short supports (Y) to the bottom panel (M) and fasten them into place with four long flat head screws (GG).



10 Attaching side panels

- Orient and attach two side panels (N and Q) to the bottom panel (M) by engaging four cam locks (CC) as shown.

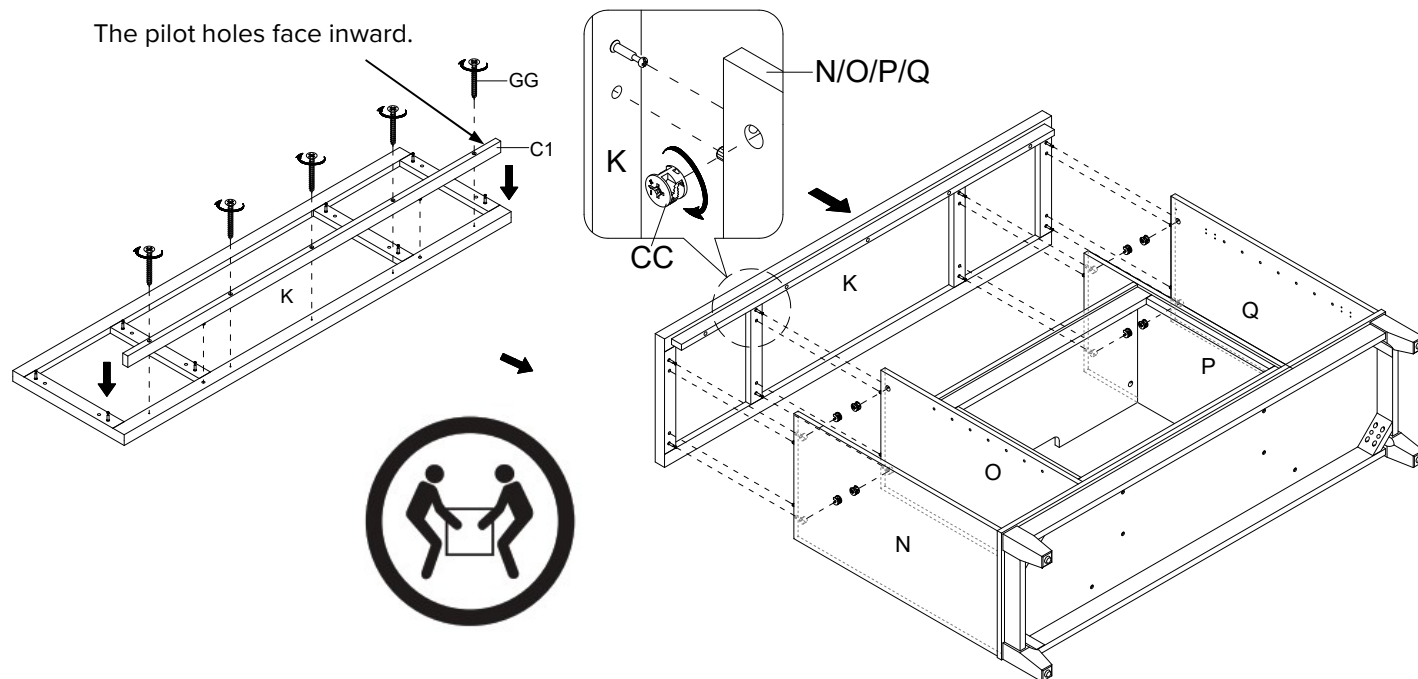
The hinge mounting holes face inward and are located at front side.



Assembly (continued)

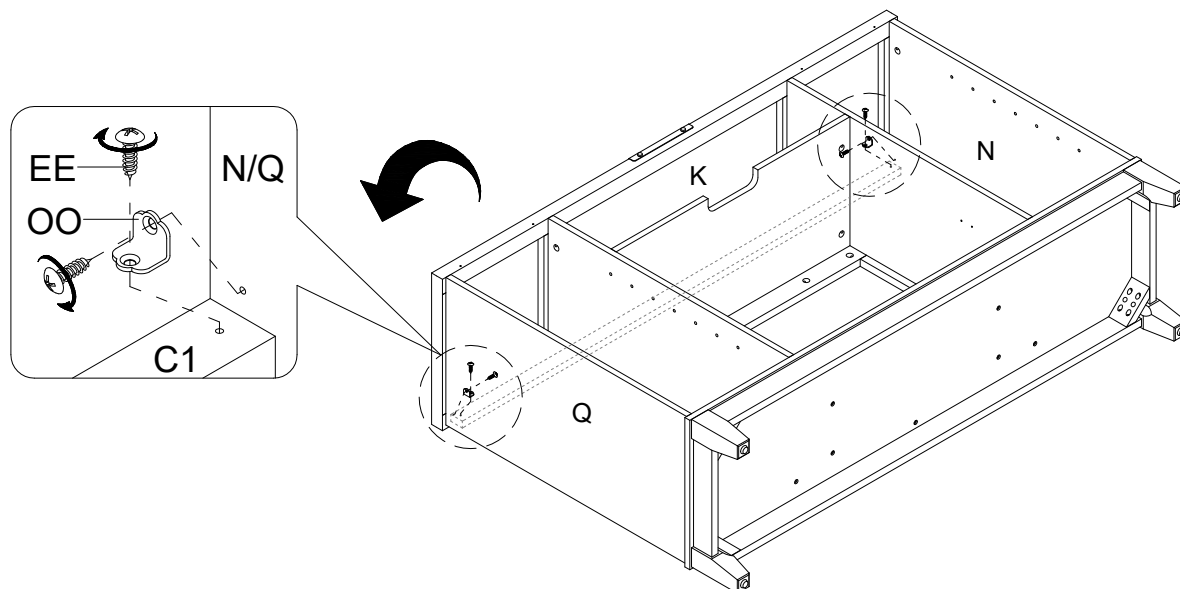
11 Attaching top panel

- Using the wood dowels as a guide, fasten the top front stretcher (C1) to top panel (K) with five long flat head screws (GG).
- Using the wood dowels as a guide, align and attach the assembled top panel (K) to the vertical panels (N, O, P and Q) by engaging eight cam locks (CC).



12 Fastening top front stretcher

- Ask for assistance to flip the previous assembly around at its front edges.
- Using the pilot holes as a guide, attach two small L-shaped brackets (OO) at the joints where the top front stretcher (C1) meets the side panels (N and Q), with two pan head screws (EE) per bracket.



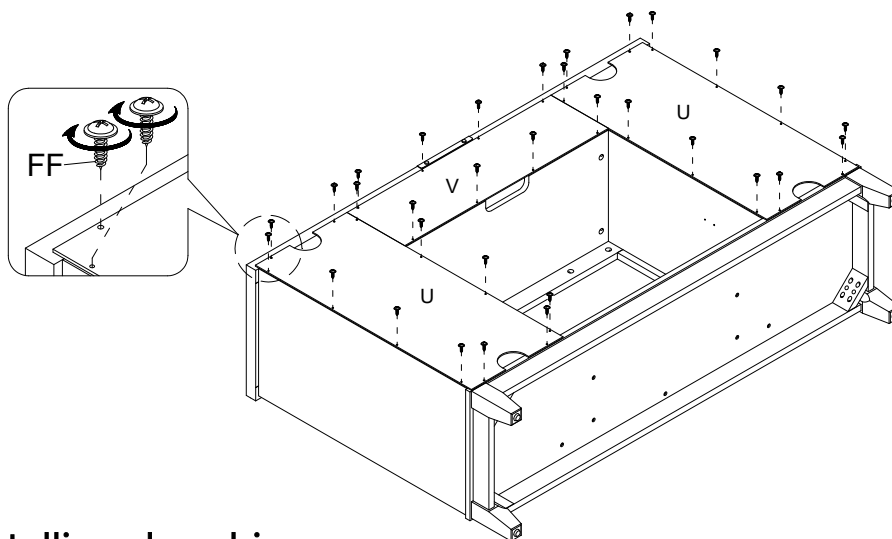
Assembly (continued)

13 Attaching back panels

- Now, go back and securely tighten all the cam locks and screws. Make sure all the parts are tight and there are no gaps between the parts. This will help keep the unit square.
- Pick up the middle back panel (V) and align the pre-drilled holes against the upper long edge with the pilot holes on the back of top panel (K). Fasten it in place with the provided washer head screws (FF).
- Using the pilot holes as a guide, align and attach the side back panels (U) to the mantel frame with the washer head screws (FF).

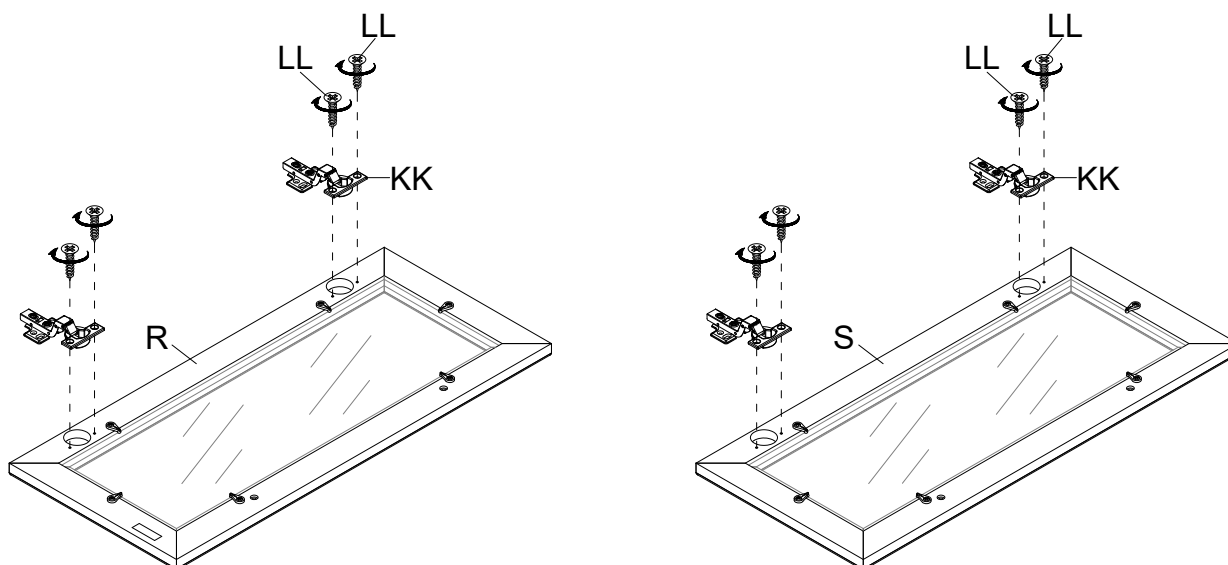


NOTE: We recommend attaching back panel with the screws at the corners first.



14 Installing door hinges

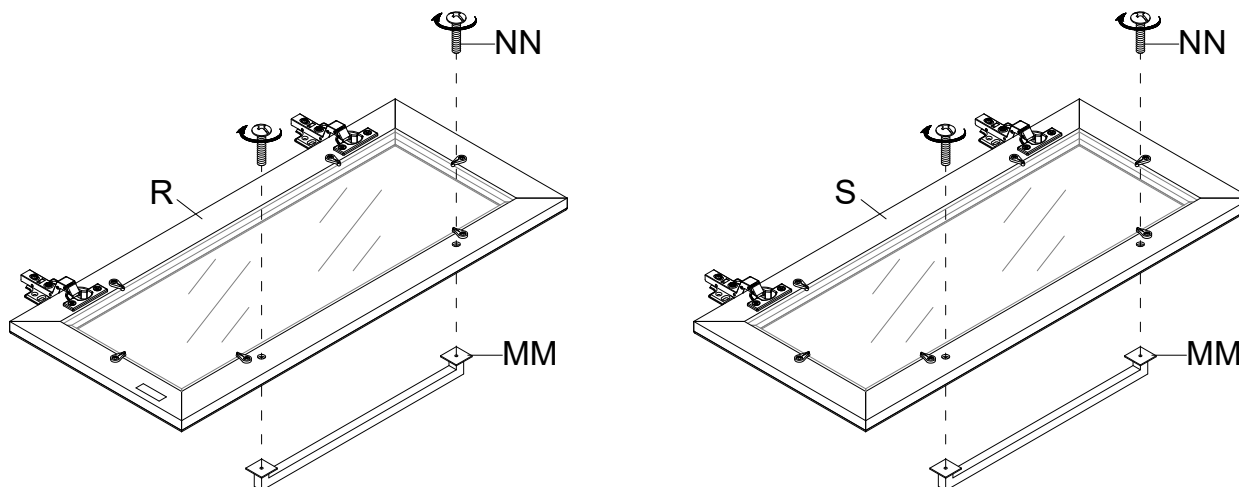
- Extend two door hinges (KK) and rest the hinge cups onto the cutouts of each door (R and S). Secure the door hinges (KK) in place by using two screws (LL) in each.



Assembly (continued)

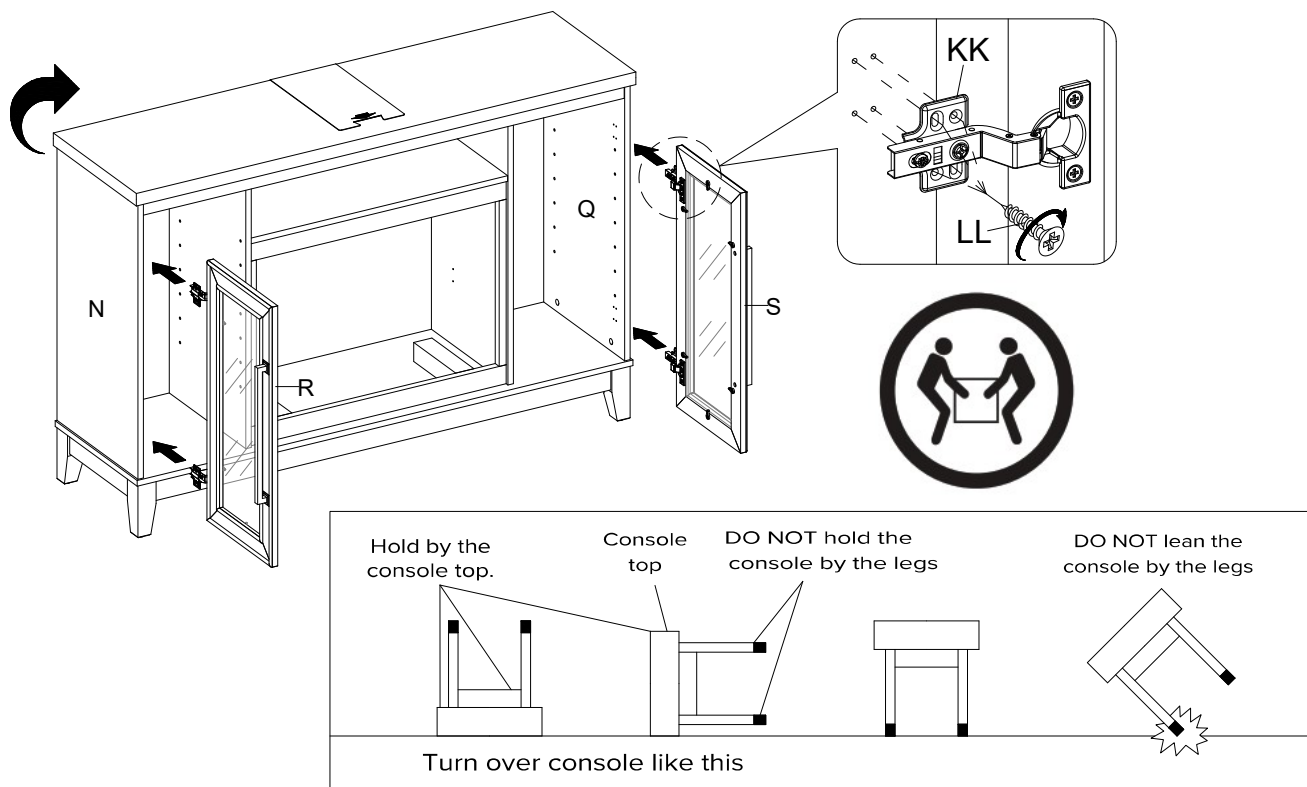
15 Installing door handles

- Attach one handle (MM) to the front side of each door (R and S) with two handle bolts (NN).



16 Attaching door panels

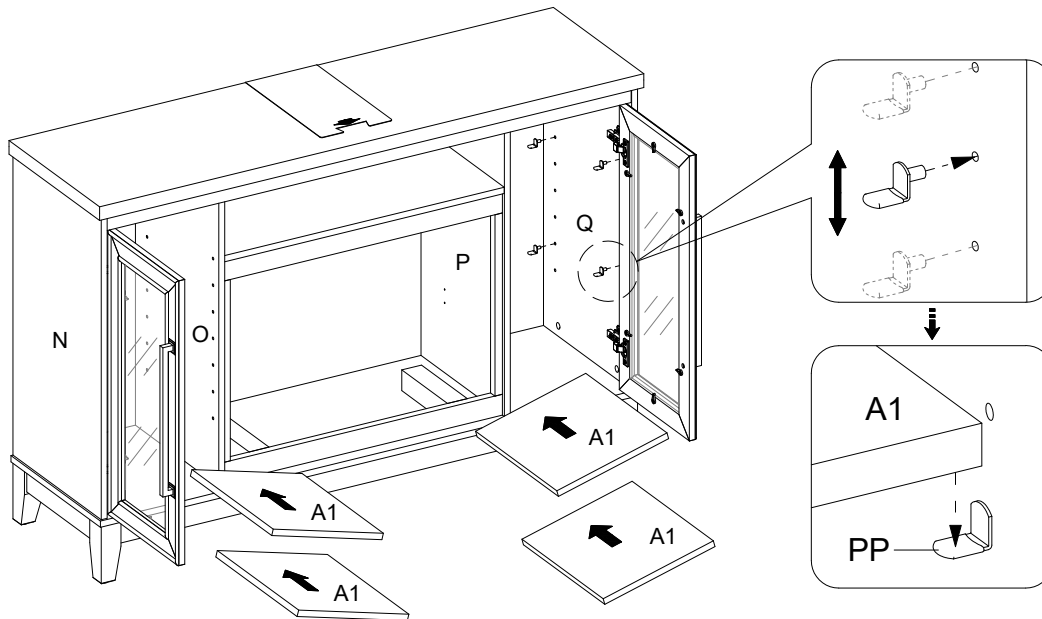
- Ask for assistance to lift the assembled unit upright and position it near the final location.
- Pick up left door (R) and fasten the hinge bases onto the left side panel (N) with four screws (LL) in each, using the pilot holes as a guide.
- Repeat the same process with the right door (S).
- Open and close the doors to make sure they are aligned and shut correctly. If necessary, adjust the screws for a good fit. Refer to the hinge sticker on door for adjustment.



Assembly (continued)

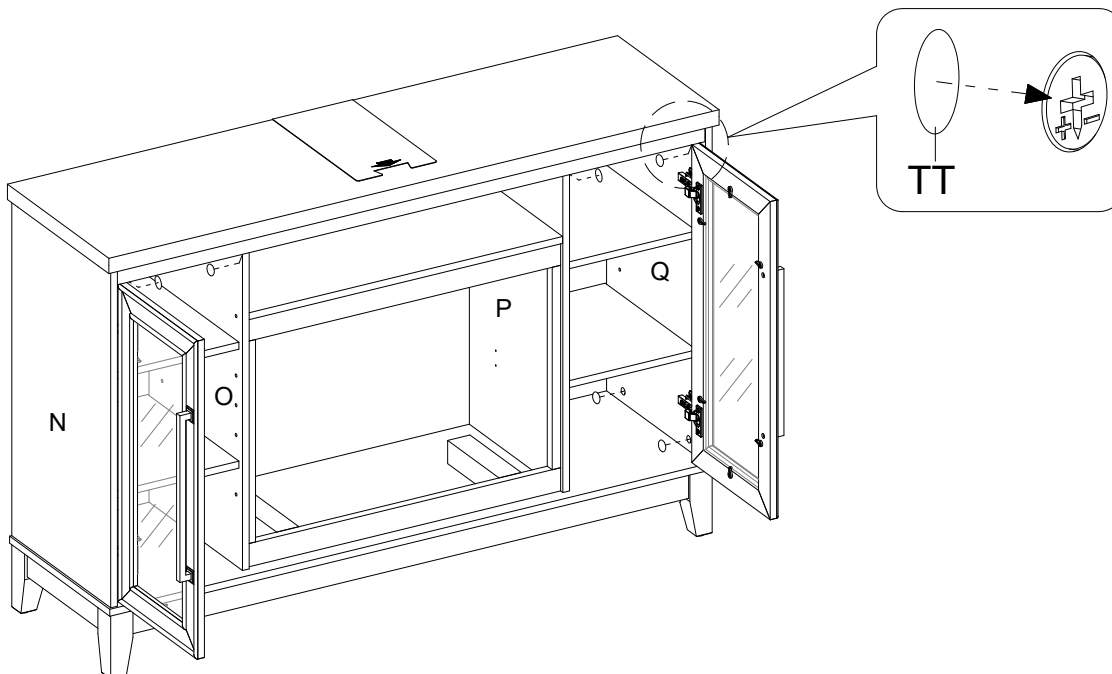
17 Attaching adjustable shelves

- Open the doors and insert eight shelf supports (PP) in the holes at the desired height inside each side compartment. Make sure you place the four shelf supports at the same level to make the shelf level.
- Tilt and rest the adjustable shelves (A1) onto the shelf supports (PP).



18 Affixing paper covers

- Stick the paper covers (TT) onto the visible cam locks to conceal the cams.



Assembly (continued)

19 Attaching upright arms



IMPORTANT NOTE: Use hand screwdriver, not power driver to assemble fireplace insert. See BILT for video instructions.

- See figure A: Fasten upper 2 screws (AA) through the upright arm (C) into the heater (A) until tight.
- See figure B: Fasten lower 2 screws (AA) into the upright arm (C) until tight.
- Fully tighten all 4 screws (AA) one final time.
- Repeat the same process with upright arm (B).



WARNING: Do not lift or transport the heater by using the upright arms.

Figure A

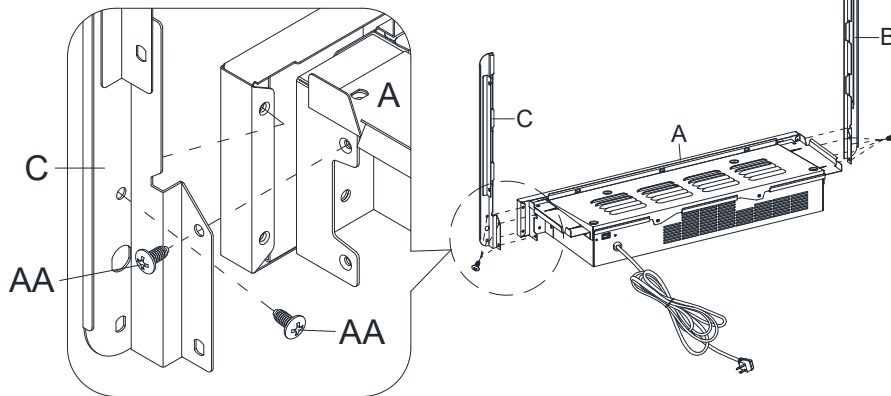
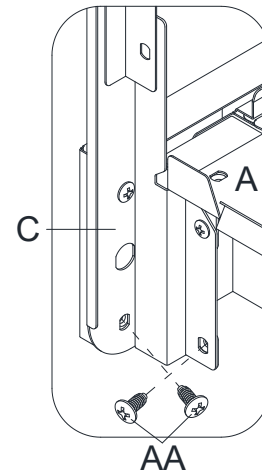


Figure B

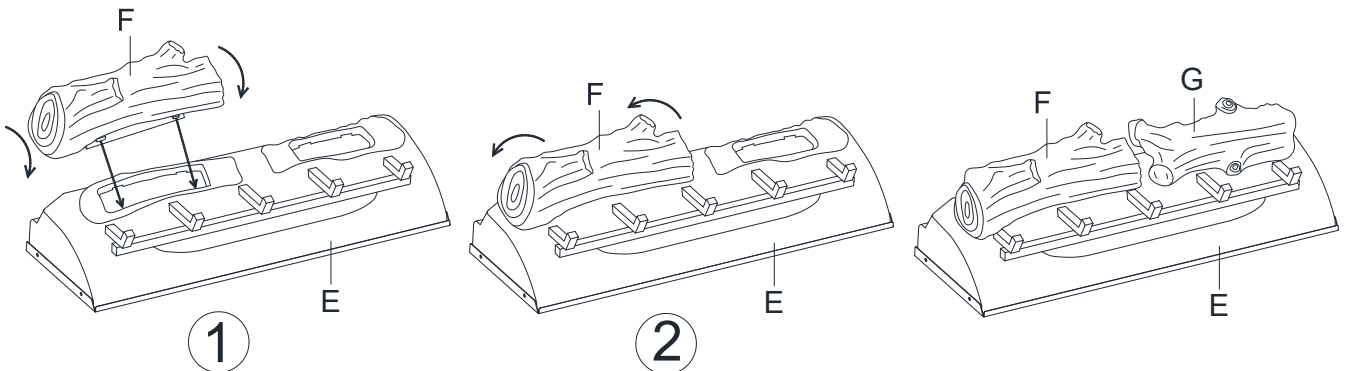


20 Attaching logs to ember bed



IMPORTANT: Carefully follow the 2 steps below for inserting each log.

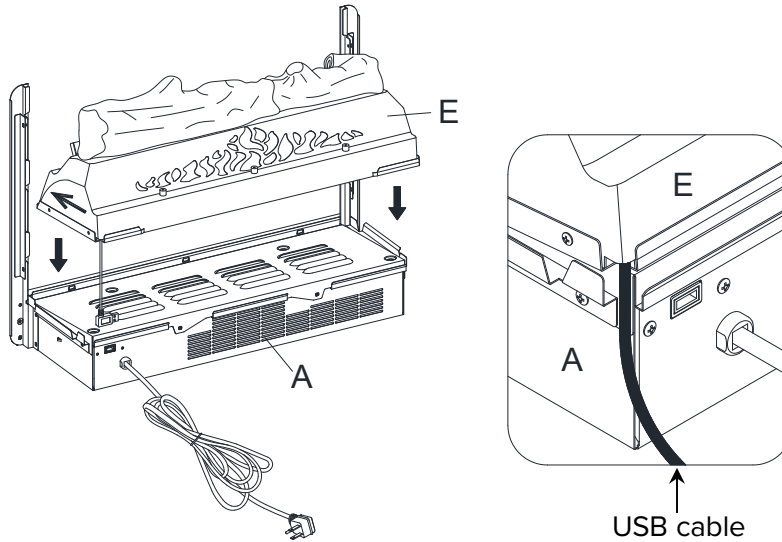
1. Install left log (F) into left hole of ember bed (E) by inserting front edge of base of the log into front notches of ember bed hole.
 2. Then tilt the log back to insert the rear edge of the log base into rear notches of ember bed hole (press down log firmly to lock into position).
- Repeat the above process for the right log (G).



Assembly (continued)

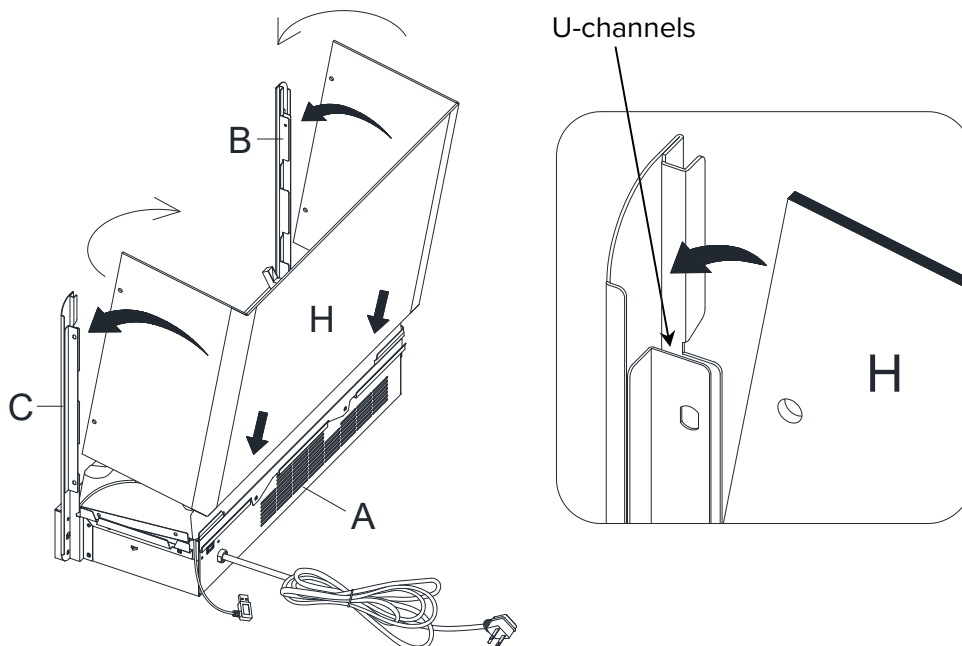
21 Positioning ember bed

- Set the ember bed (E) onto the heater (A) as shown.
- Push ember bed forward against the front flange of heater.
- Position the USB cable as shown below.



22 Attaching wall panel

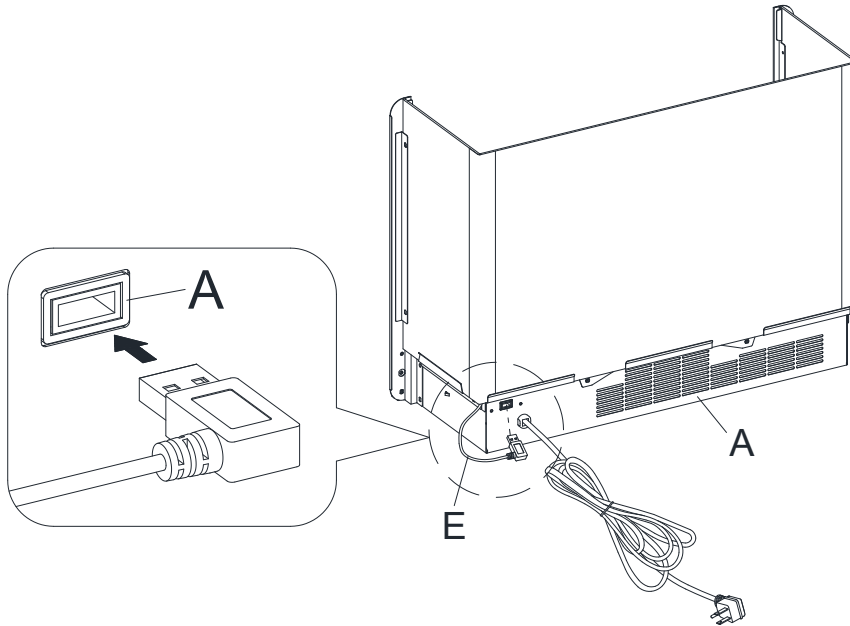
- Fold the wall panel (H) as shown. Then position yourself at back side of heater (A).
- Hold wall panel (H) at the angle shown below and insert lower back edge into metal slots on back of heater (A).
- Tilt wall panel (H) forward until bottom corner inserts into lower U-channels on both upright arms (B and C).
- Continue to tilt wall panel (H) forward until the top corner inserts into upper U-channels on both upright arms (B and C).



Assembly (continued)

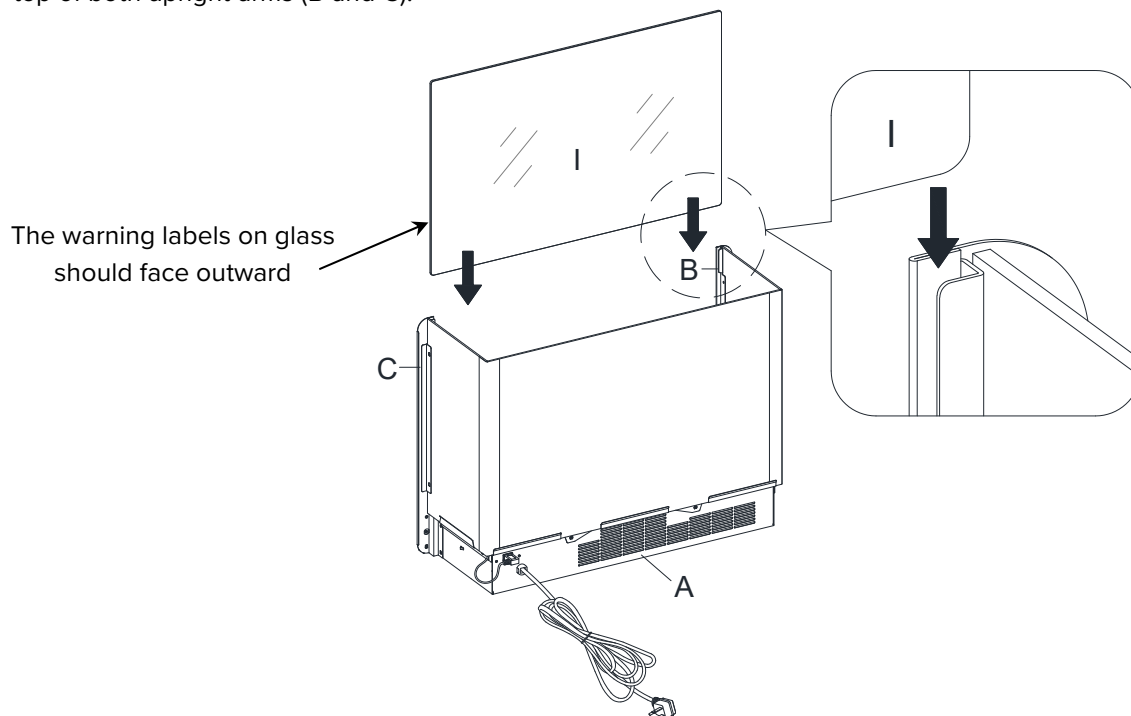
23 Connecting ember bed cable to heater

- Fully plug the USB connector of the ember bed (E) into the back port of heater (A).



24 Inserting the glass

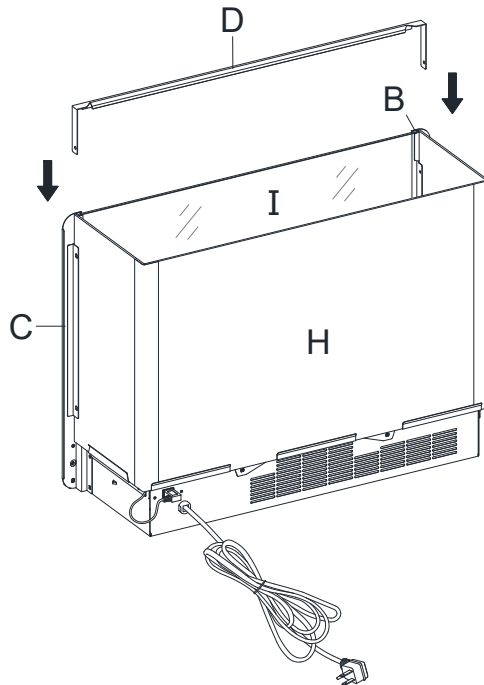
- Slide the glass (I) into the inner U-channels on both upright arms (B and C) until the glass sits onto the heater (A). If needed, push top of upright arms in or out to accommodate glass. Make sure the top of the glass (I) is flush with the top of both upright arms (B and C).



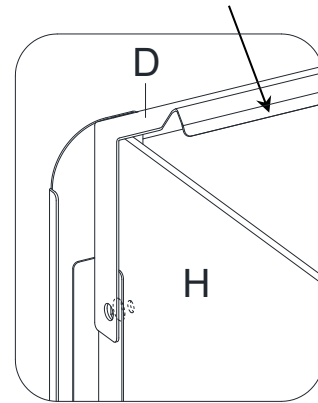
Assembly (continued)

25 Positioning connector strap

- Position top connector strap (D) over the glass (I) and upright arms (B and C). Follow orientation shown below.

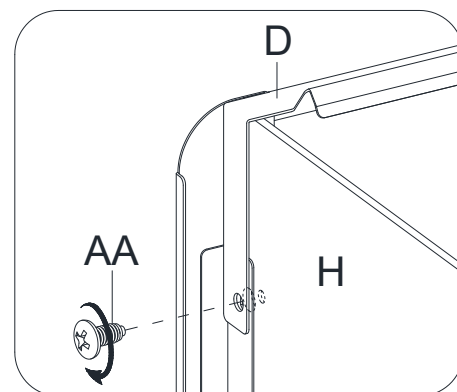
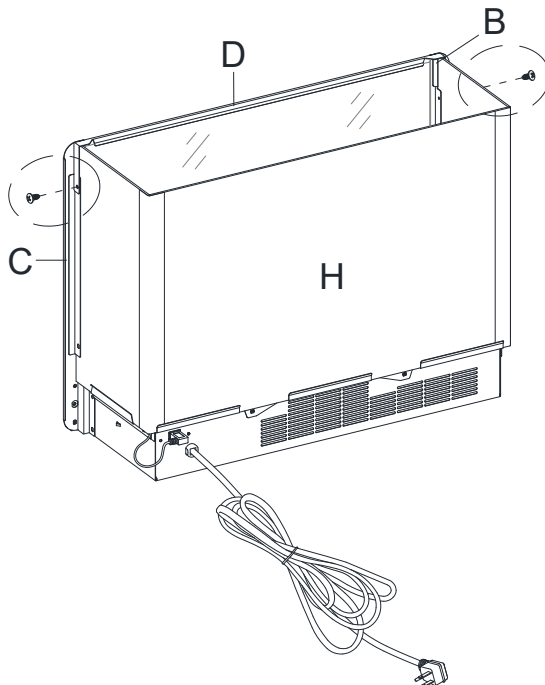


The bevel edge faces inside the unit.



26 Attaching connector strap

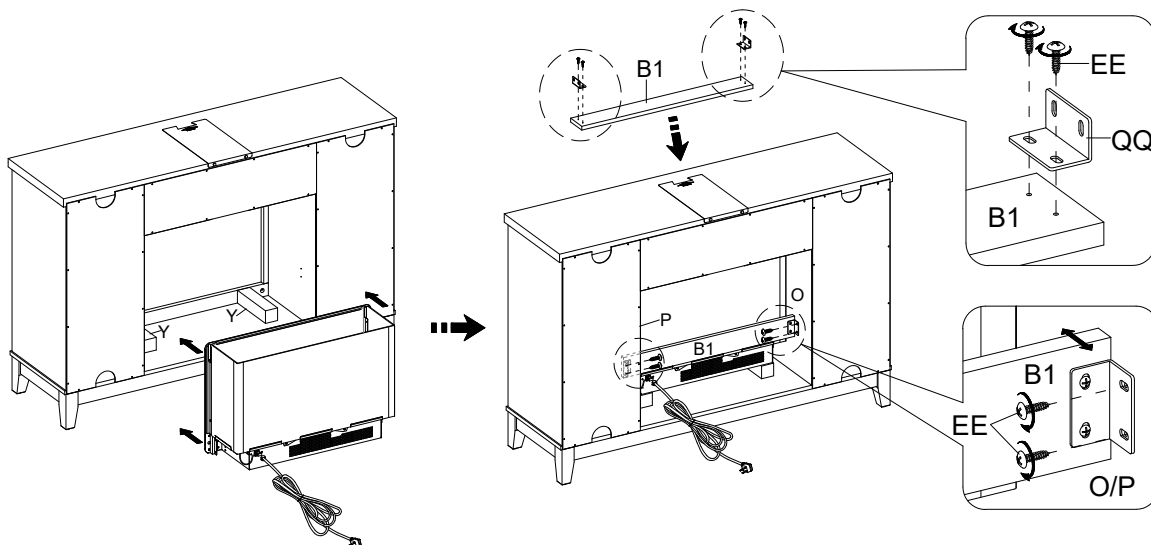
- Fasten connector strap (D) to both upright arms (B and C) using two screws (AA) as show below. Holes must be in line for screw to pass through.



Assembly (continued)

27 Installing the fireplace insert

- Lift the fireplace insert carefully into the back of the assembled mantel and centre it in the opening.
- Use the pilot holes as a guide, fasten two large L-shaped brackets (QQ) onto the firebox holder (B1) with four pan head screws (EE). Make sure the right-angle side of metal bracket is flush with the short edge of firebox holder (B1).
- Use the pilot holes as a guide, fasten firebox holder (B1) between the partition panels (O and P) with four pan head screws (EE).



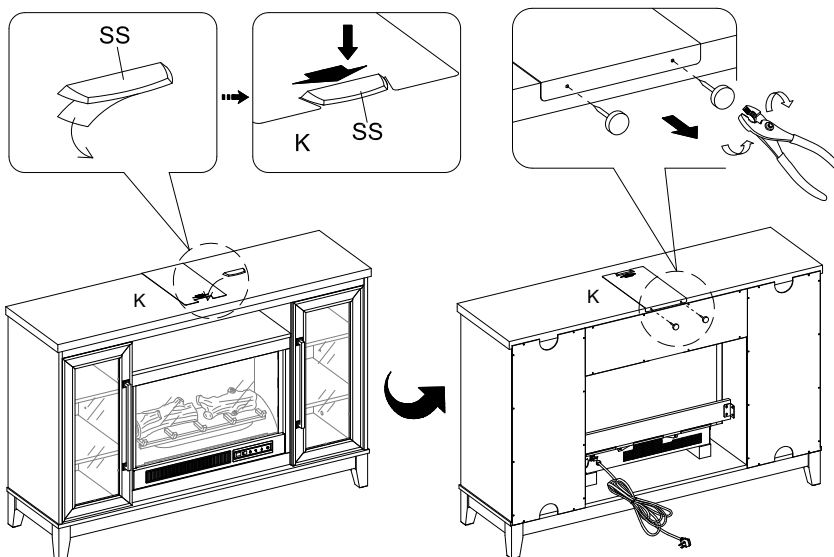
28 Installing acrylic stopper

- Remove the paper backing of acrylic stopper (SS), then properly align the acrylic stopper into the cutout on the acrylic stopper template on the front of the top panel (K). Press down on the acrylic stopper to help adhesion.



NOTE: To prevent your TV from tipping, you must install the acrylic TV stopper if you place a flat panel television on the top panel. Otherwise, skip to next step.

- At the back of top panel (K), grip the heads of plastic tacks with pliers, with twisting motion pull tacks loose to remove the acrylic stopper template.



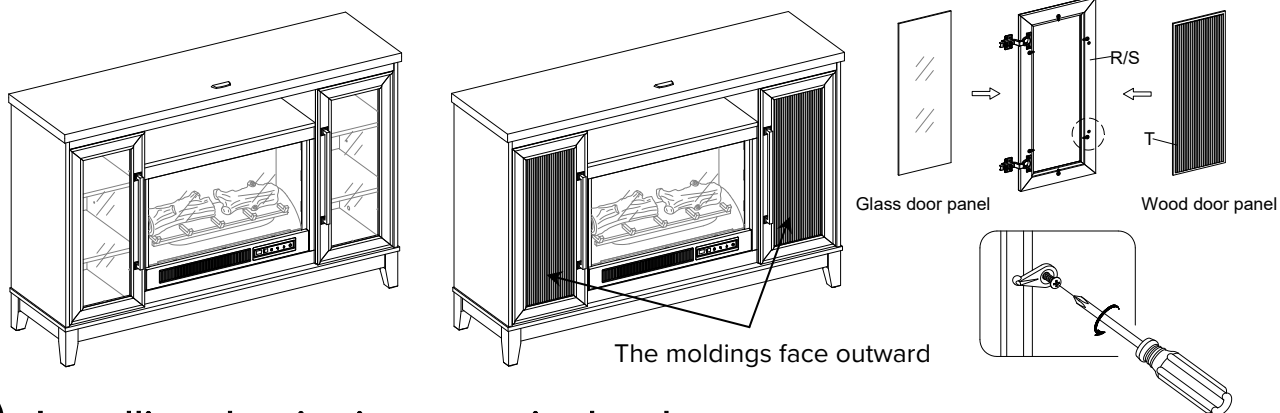
Assembly (continued)

29 Interchanging door insert panels

- To change door panels, loosen the screws on the inside of the door and rotate the clips to remove the panel. Replace with the desired panel, then rotate clips to secure the panel within the door frame and tighten screws.



NOTE: The glass door panels are pre-attached when shipping. You can keep as is or interchange as the desired configuration.

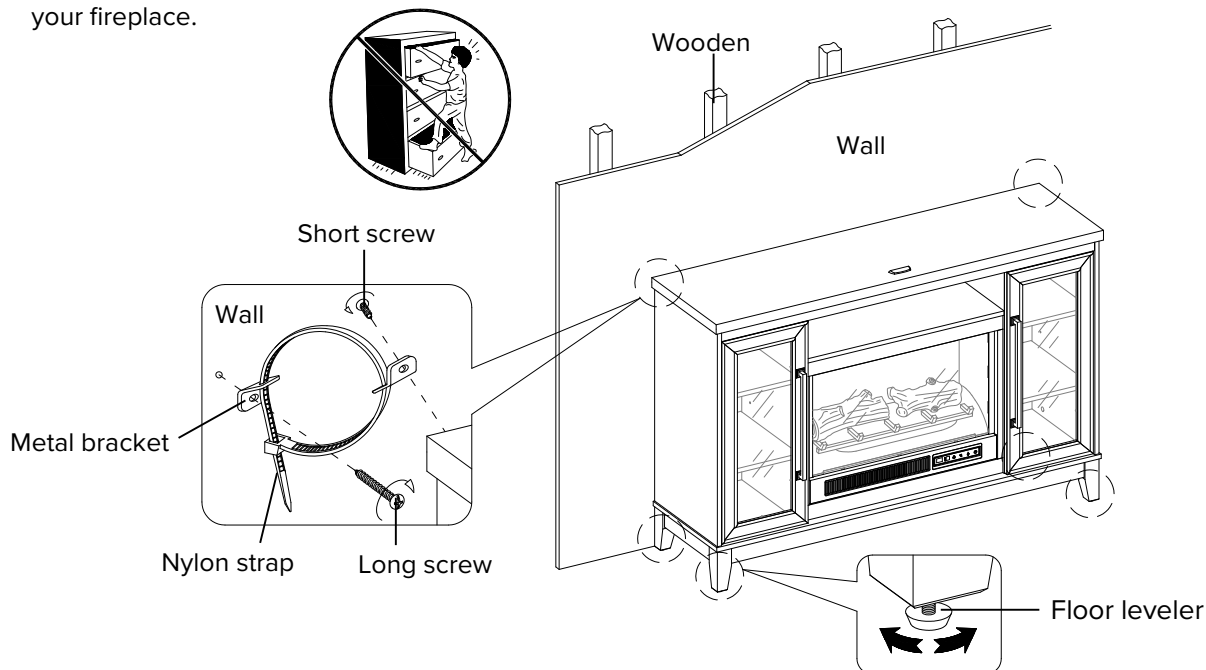


30 Installing the tipping restraint hardware



WARNING: Young children can be seriously injured by tipping furniture. You must install the tipping restraint hardware with the unit to prevent the unit from tipping, causing any accidents or damage. The tipping restraints are intended only as a deterrent, they are not a substitute for proper adult supervision. The tipping restraints are not earthquake restraints. If you wish to add the extra security of earthquake restraints, they must be purchased and installed separately.

- With assistance, position the assembled fireplace at the desired location against a wall. If necessary, adjust the pre-attached floor levelers by hand to correct tilting and level the doors, until the unit is level.
- Follow the instructions printed on the plastic bag containing the tipping restraint hardware to attach the tip-over restraints to the unit and the wall.
- Connect the fireplace to the power transformer. Follow the operating manual for the electric fireplace insert to control your fireplace.



Care and Maintenance

A touch-up pen has been provided to minimize the small nicks or scratches that may occur during assembly or shipping.

To clean and care for your furniture:

- Use a soft, clean cloth that will not scratch the surface when dusting.
- Use of furniture polishes is not necessary. Should you choose to use polishes, test first in an inconspicuous area.
- Using solvents of any kind on your furniture may damage the finish.
- Never use water to clean your furniture as it may cause damage to the finish.
- Always use coasters under beverage glasses and flowerpots.
- Liquid spills should be removed immediately. Using a soft clean cloth, blot the spill gently. Avoid rubbing.
- Always use protective pads under hot dishes and plates. Heat can cause chemical changes that may create spotting within the furniture finish.
- In the event that your furniture is stained or otherwise damaged during use, we recommend that you call a professional to repair your furniture.
- Check bolts/screws periodically and tighten them if necessary.

CARING FOR WOOD FURNITURE

It is best to keep your furniture in a climate-controlled environment. Extreme temperature and humidity changes can cause fading, warping, shrinking and splitting of wood. It is advised to keep furniture away from direct sunlight as sun may damage the finish.

Proper care and cleaning at home will extend the life of your purchase. Following these important and helpful tips will enhance your furniture as it ages.

CLEANING THE FIREPLACE TRIM

Clean the metal trim using a soft cloth, slightly dampened with citrus oil based product and buff with a clean soft cloth. DO NOT use brass polish or household cleaners as these products will damage the metal trim. Citrus oil based products can be obtained at supermarkets or hardware stores.

WARNING

- Unit must be placed on a level surface or leveled with included hardware (when applicable).
- Do not sit or stand on or allow children to climb, sit or stand on the assembled product.
- For safety reasons, it is imperative that this unit be mounted to the wall or floor.
- Unit can tip over causing severe injury or death.
- Never open more than one drawer at a time.
- Do not exceed the recommended weight limits.
- Before cutting, drilling or hammering into any wall or floor surface, verify the location of electrical, plumbing and gas lines. Cutting may cause serious injury.

SCOTT  LIVING™

BY DREW & JONATHAN



We're not happy unless you're happy, so we offer a 30-day Love It Guarantee. If for any reason you don't love your Scott Living product, you can return it to your place of purchase within 30 days of the date on your receipt for a full refund — no questions asked.

RETURN POLICY FOR CUSTOM ITEMS VARY. PLEASE CHECK WITH YOUR RETAILER FOR DETAILS.

Questions, problems, missing parts? Before returning to the store,
call Customer Service

1-866-942-5362

Pacific Standard Time: 8:30 a.m. - 4:30 p.m., Monday - Friday

Or visit our web site 24 hours a day, 7 days a week for product assistance at

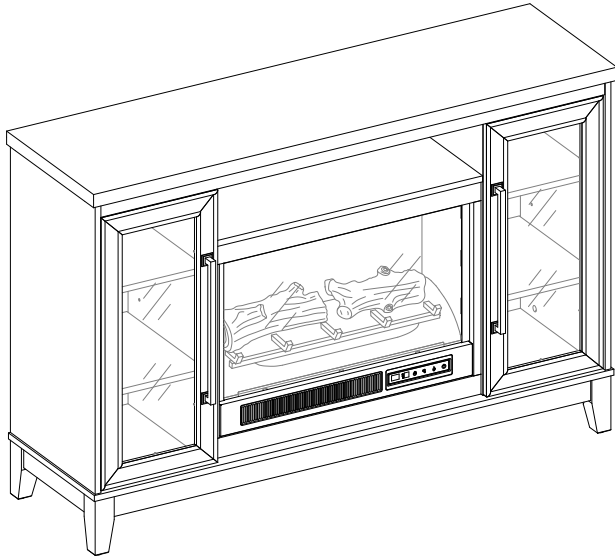
www.whalenfurniture.com

Or e-mail your request to **parts@whalenfurniture.com**

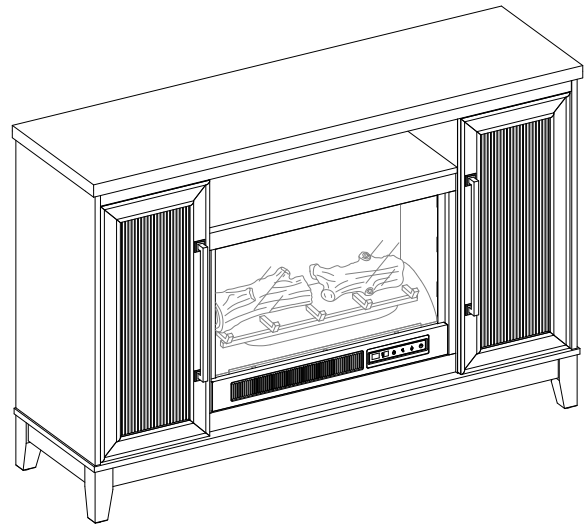
Retain this manual for future use.

INSTRUCTIONS DE MONTAGE

Meuble multimédia de 1,37 m avec foyer électrique à infrarouge Blaine



OU



Vous avez des questions ou des problèmes? Certaines pièces sont manquantes? Avant de vous rendre au magasin, communiquez avec le service à la clientèle de

1-866-942-5362

Heure normale du Pacifique, entre 8 h 30 et 16 h 30, du lundi au vendredi

Vous pouvez également visiter notre site Web 24 heures par jour, 7 jours sur 7 pour obtenir de l'aide sur le produit

www.whalenfurniture.com

ou transmettre une demande par courriel **parts@whalenfurniture.com**

MERCI

Nous apprécions la confiance que vous avez témoigné à Scott Living par Drew & Jonathan en achetant ce meuble. Nous nous efforçons continuellement de créer des produits de qualité pour votre maison. Visitez notre site web pour voir la gamme complète de produits que nous offrons pour satisfaire à vos besoins en matière d'amélioration du foyer.

Merci d'avoir choisi Scott Living par Drew & Jonathan!

Table des matières

Table des matières.....	2	Matériel fourni.....	3
Consignes de sécurité.....	2	Contenu de l'emballage.....	4
Poids maximal supporté.....	2	Assemblage.....	5
Garantie.....	2	Entretien.....	20
Pré-assemblage.....	2	Entretien de votre meuble en bois.....	20
Plan de montage.....	2	Nettoyage de la garniture du foyer.....	20
Outils nécessaires.....	2		

Consignes de sécurité

Veuillez lire et comprendre ces instructions avant d'assembler et d'utiliser cette console. Conservez ces instructions pour toute référence future.

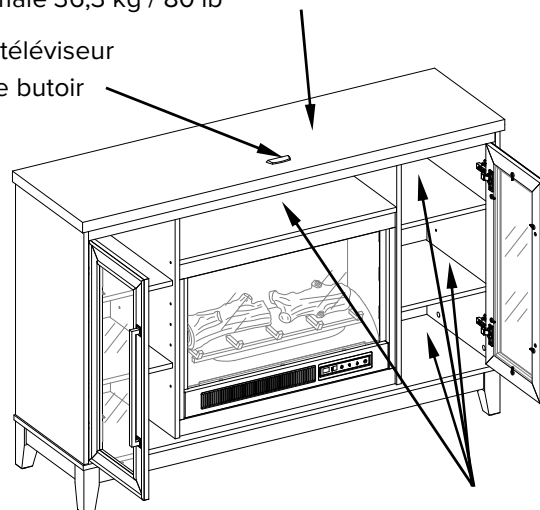
POIDS MAXIMAL SUPPORTÉ



AVERTISSEMENT : Cette console n'est pas conçue pour supporter des téléviseurs à tube cathodique. Utilisez uniquement des téléviseurs à écran plat et des équipements audio/vidéo respectant les limites recommandées de taille et de poids. Ne l'utilisez jamais avec un téléviseur à écran plat plus grand ou plus lourd que ceux recommandés. Pour éviter l'instabilité, placez un téléviseur à écran plat au centre de l'appareil ; la base de la télévision doit pouvoir reposer sur la surface de support de l'appareil sans trop accrocher les bords. Des téléviseurs à écran plat mal positionnés, des téléviseurs à écran plat ou d'autres équipements dépassant les limites recommandées de taille et de poids peuvent tomber ou casser l'appareil, entraînant de graves blessures.

Convient à la plupart des téléviseurs à écran plat de 165,1 cm / 65 po
Charge maximale 36,3 kg / 80 lb

Placez le téléviseur
derrière le butoir



Charge maximale 22,7 kg / 50 lb

Garantie

Nous croyons que vous serez pleinement satisfait de votre achat. Si ce produit comporte des défauts de fabrication ou de main-d'œuvre, ou qu'il s'avérait défectueux dans le cadre d'un usage normal, nous le réparerons ou le remplacerons jusqu'à un (1) an à compter de la date d'achat.

La présente garantie vous donne des droits légaux spécifiques et vous pouvez également avoir d'autres droits, lesquels varient d'une région à l'autre.

Communiquez avec l'équipe du service à la clientèle au 1-866-942-5362 ou visitez le site www.whalenfurniture.com.

Pré-assemblage

PLAN DE MONTAGE

Comparez toutes les pièces avec les listes du matériel inclus et du contenu du paquet. Si une pièce semble manquante ou endommagée, n'assemblez pas le produit et contactez l'équipe du service client au 1-866-942-5362.

OUTILS NÉCESSAIRES



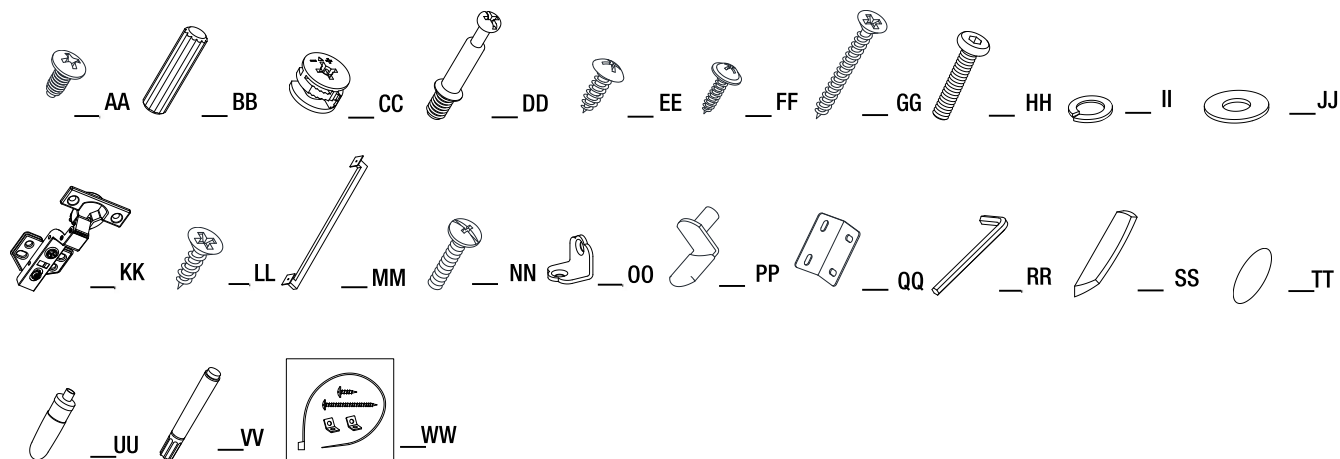
Tournevis
cruciforme
(non inclus)

Pré-Assemblage (suite)

MATÉRIEL FOURNI



REMARQUE : le matériel n'est pas affiché à l'échelle de grandeur réelle.

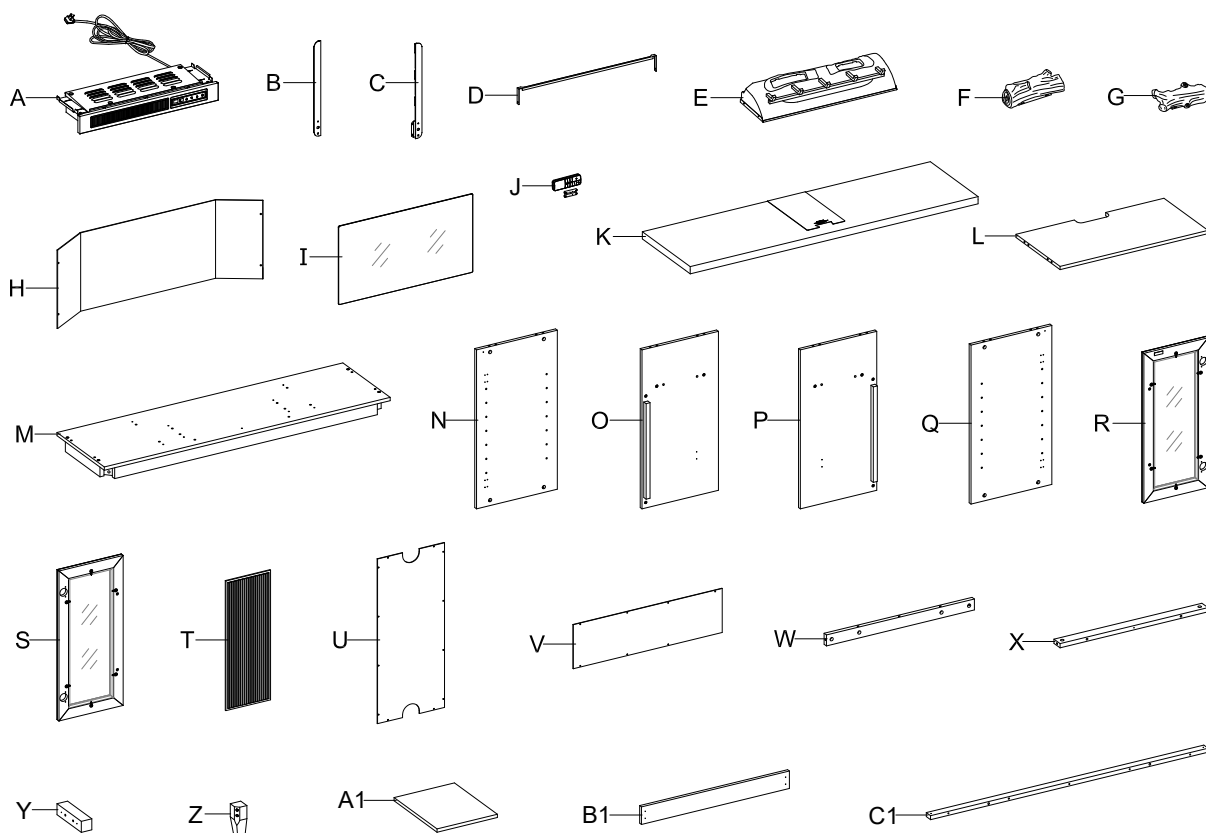


Pièce	Description	Quantité
AA	Vis de foyer	10+1 extra
BB	Chevilles en bois	29+1 extra
CC	Verrou à came	22+1 extra
DD	Boulons à came	22+1 extra
EE	Vis à tête cylindrique	12+1 extra
FF	Vis à tête ronde	32+1 extra
GG	Vis à tête plate longue	14+1 extra
HH	Boulon	8+1 extra
II	Rondelle de blocage	8+1 extra
JJ	Rondelle plate	8+1 extra
KK	Charnière	4

Pièce	Description	Quantité
LL	Vis nickel pour charnière	24+1 extra
MM	Poignée	2
NN	Boulon de poignée	4
OO	Support métallique "L" petit	2
PP	Support d'étagère	16+1 extra
QQ	Support métallique "L" grand	2
RR	Clé hexagonale	1
SS	Bouchon en acrylique	1
TT	Autocollants en papier	22+1 extra
UU	Colle	1
VV	Stylo de retouche	1
WW	Kit de quincaillerie de retenue de basculement	2

Pré-assemblage (suite)

CONTENU DE L'EMBALLAGE



Pièce	Description	Quantité
A	Radiateur	1
B	Bras verticaux gauche	1
C	Bras verticaux droit	1
D	l'attache du connecteur	1
E	Lit de braises	1
F	Bûches gauche	1
G	Bûches droite	1
H	Panneaux muraux du foyer	1
I	Verre du foyer	1
J	Télécommande avec batterie	1
K	Panneau supérieur	1
L	Étagère multimédia	1
M	Panneau inférieur	1
N	Panneau latéral gauche	1

Pièce	Description	Quantité
O	Paroi gauche	1
P	Paroi droit	1
Q	Panneau latéral droit	1
R	Porte gauche	1
S	Porte droite	1
T	Insertion de porte en bois	2
U	Panneau arrière latéral	2
V	Panneau arrière central	1
W	Traverse centrale	1
X	Support longue de foyer	1
Y	Support court de foyer	2
Z	Pied	4
A1	Étagère réglable	4
B1	Support de foyer	1
C1	Châssis avant supérieur	1

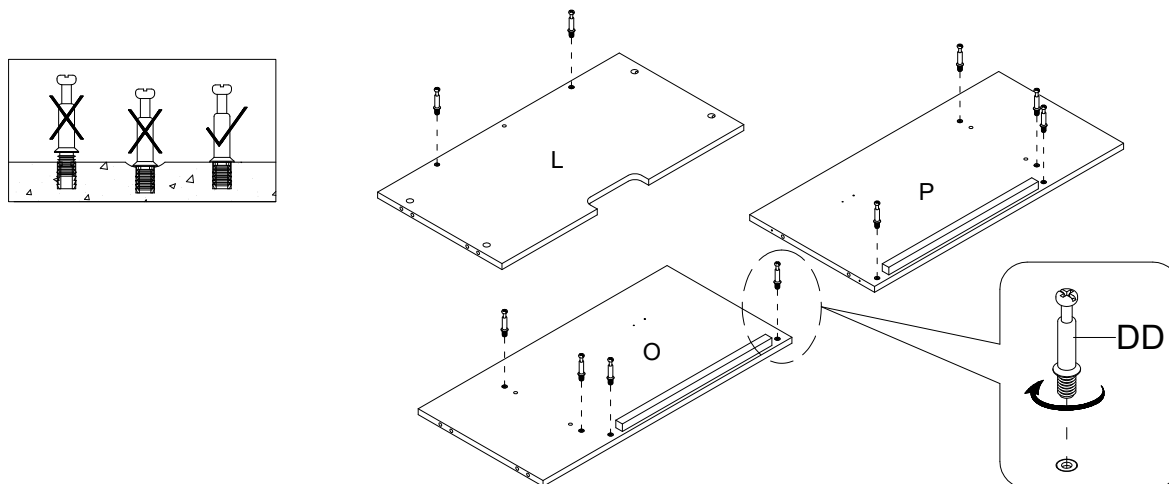
Assemblage

1 Préparation de l'assemblage des étagère multimédia et parois



REMARQUE : Ne pas complètement serrer les boulons avant d'avoir terminé l'assemblage de toutes les pièces. Une fois assemblées, revenir en arrière et serrer tous les boulons. Cela facilitera l'assemblage.

- Déballez l'unité et vérifiez que vous disposez de tout le matériel et des pièces nécessaires. Assemblez l'unité sur un sol recouvert de moquette ou sur le carton vide pour éviter toute rayure.
- Vissez fermement les boulons à came (DD) dans les petits trous désignés sur le étagère multimédia (L) et les parois (O et P) à l'aide d'un tournevis cruciforme.

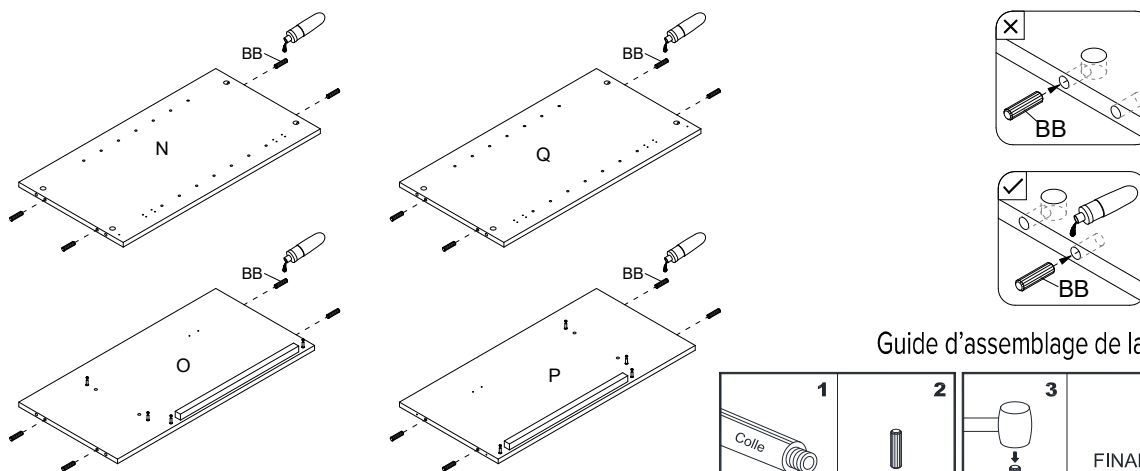


2 Collage des chevilles en bois

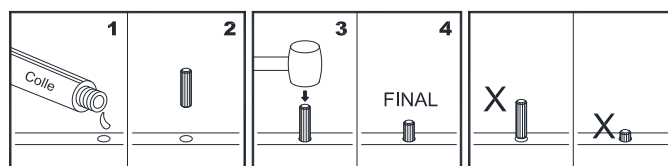


REMARQUE : Reportez-vous aux dessins du guide d'assemblage des chevilles dans cette étape pour plus de précisions sur la façon de coller correctement les chevilles en bois. Appliquez cette méthode chaque fois que vous demandez d'installer des chevilles en bois.

- Collez les chevilles en bois (BB) dans les trous prévus à cet effet sur les panneaux verticaux (N, O, P et Q), comme indiqué. Il est essentiel d'utiliser une petite quantité de colle des deux côtés de la cheville en bois et essayez immédiatement l'excédent de colle avec un chiffon humide.



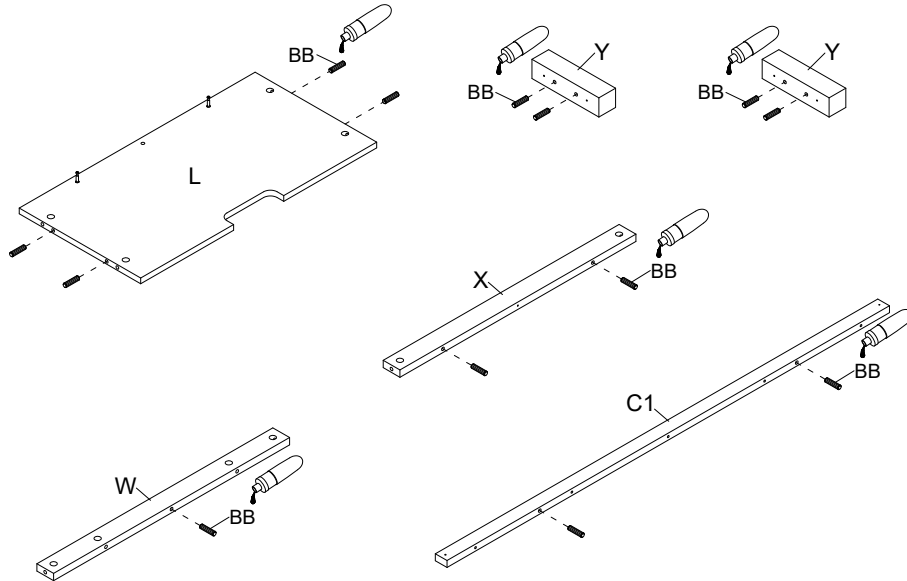
Guide d'assemblage de la cheville



Assemblage (suite)

3 Collage des chevilles en bois

- Collez les chevilles en bois (BB) dans les trous prévus à cet effet sur les étagère multimédia (L), traverse centrale (W), supports de foyer (X et Y) et châssis avant supérieur (C1), comme indiqué.

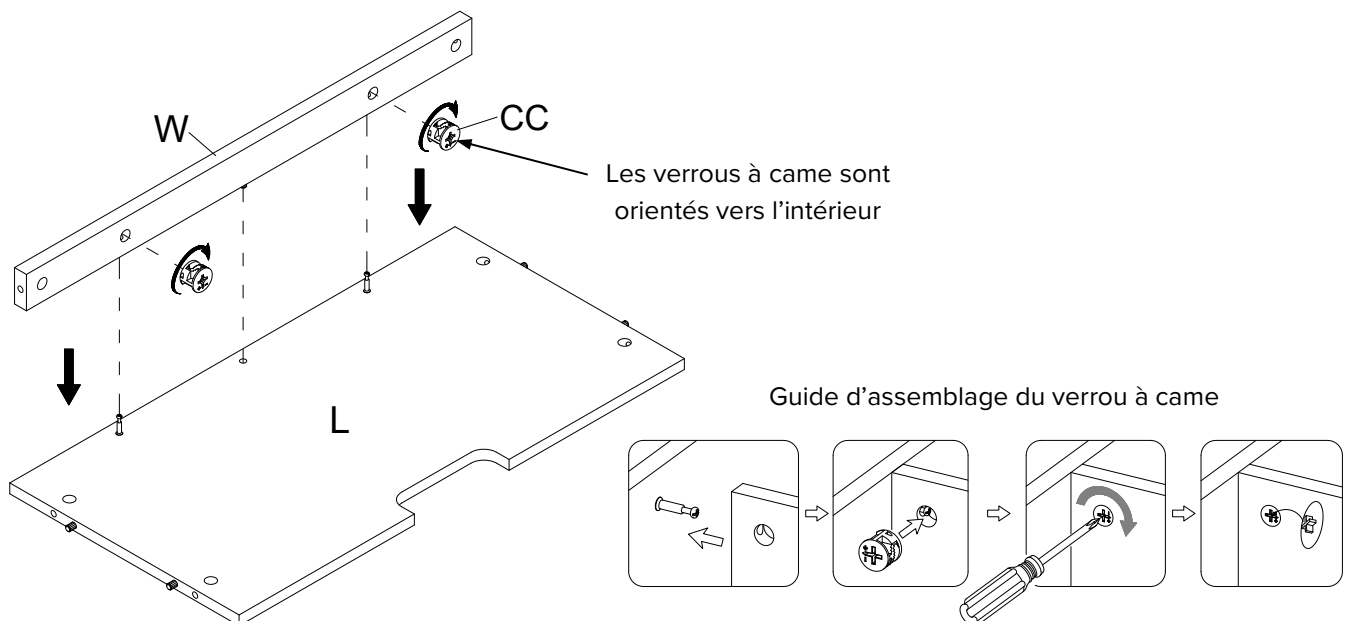


4 Fixation la traverse centrale



Remarque : Reportez-vous aux dessins du guide d'assemblage des verrous à came dans cette étape pour plus de précisions sur la façon d'installer correctement les verrous à came. Appliquez cette méthode chaque fois que vous demandez d'installer des verrous à came.

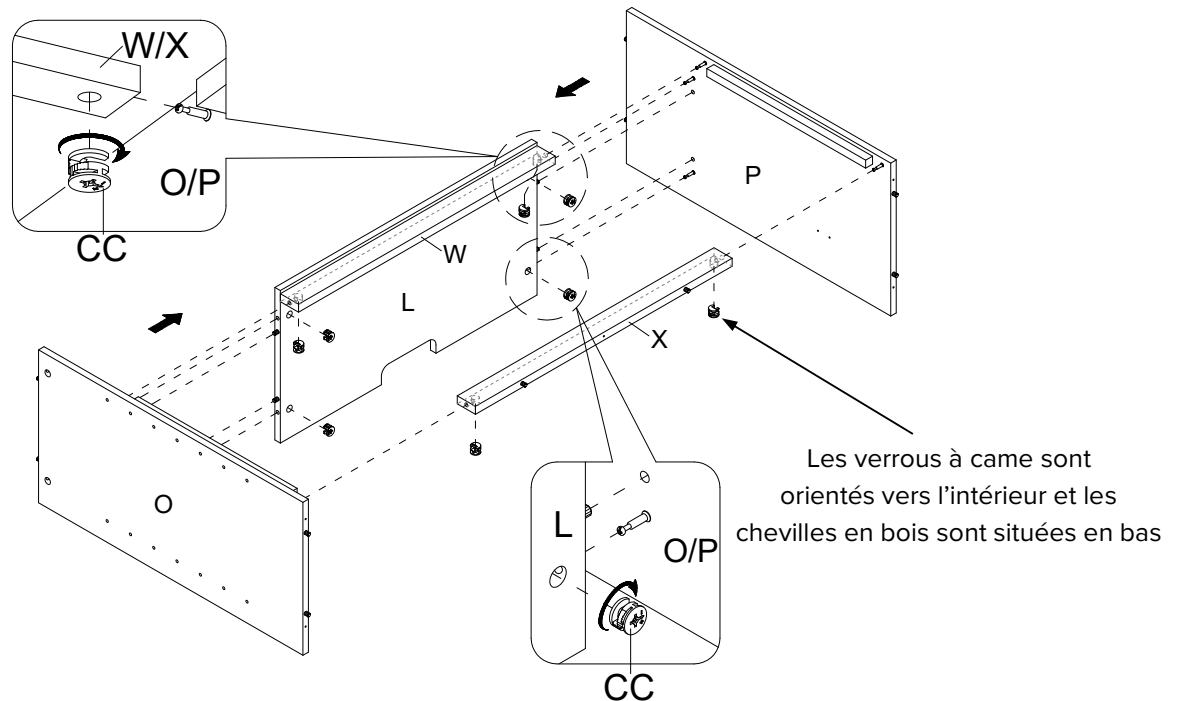
- Fixez la traverse centrale (W) au les étagère multimédia (L) et fixez-la en place en engageant deux verrous à came (CC).



Assemblage (suite)

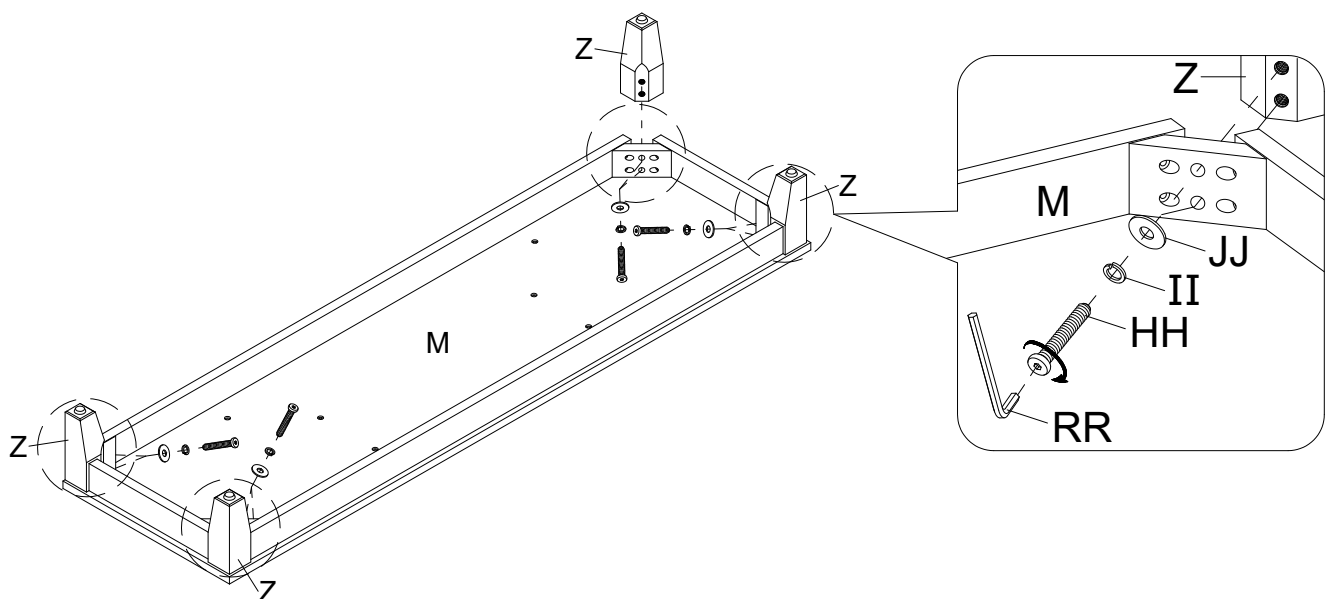
5 Fixation l'étagère multimédia et support longue de foyer

- Fixez l'étagère multimédia assemblée (L) et le support longue de foyer (X) au la paroi gauche (O) en engageant quatre verrous à came (CC).
- Répétez le même processus avec la paroi droit (P).



6 Fixation les pieds

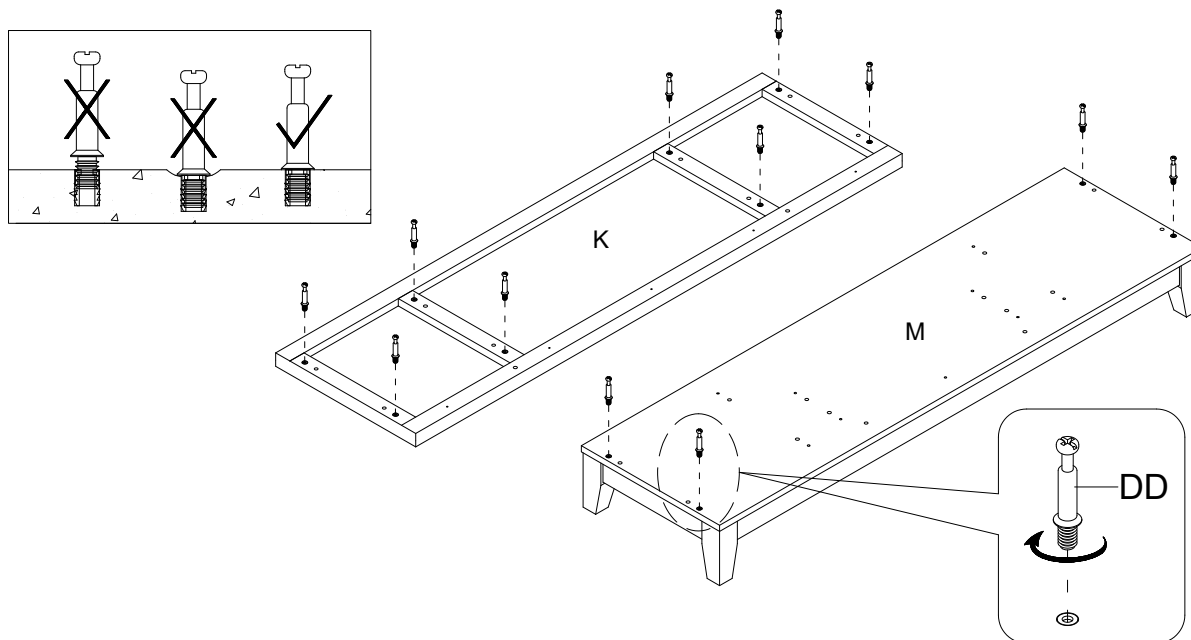
- Fixez les pieds (Z) aux coins du panneau inférieur (M) avec deux boulons (HH), deux rondelles de blocage (II) et deux rondelles plates (JJ) par pied.



Assemblage (suite)

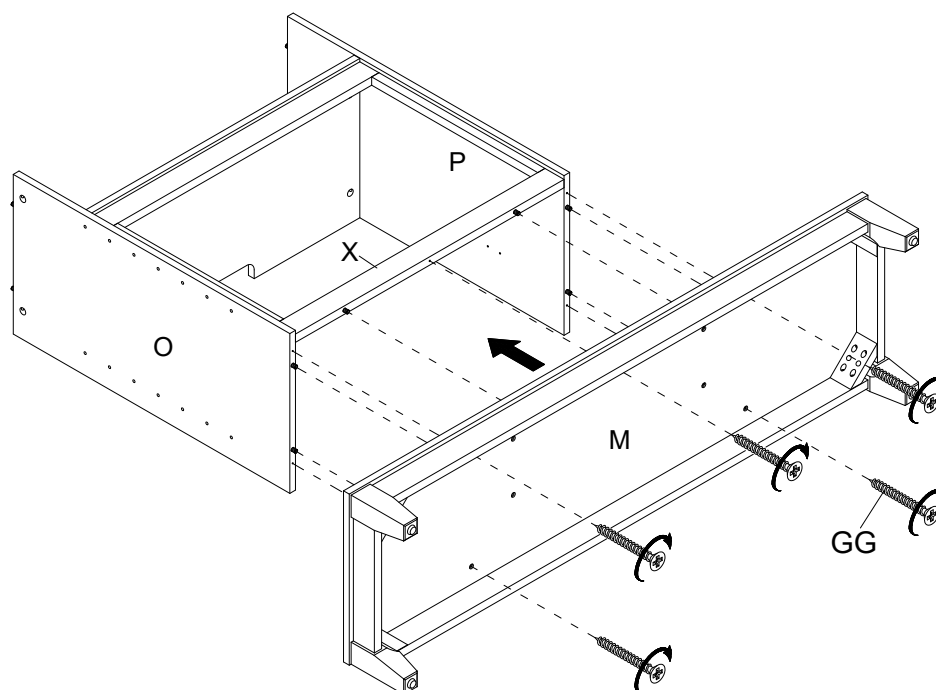
7 Préparation de l'assemblage des panneaux supérieur et inférieur

- Vissez fermement les boulons à came (DD) dans les petits trous désignés sur les panneaux supérieur et inférieur (K et M) à l'aide d'un tournevis cruciforme.



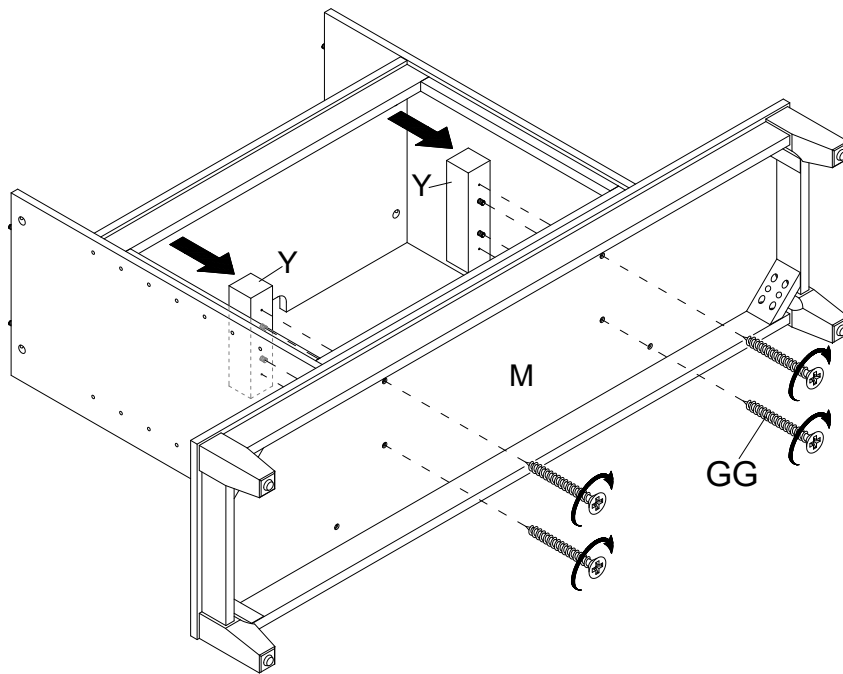
8 Fixer la paroi assemblage

- En utilisant les chevilles en bois comme guide, appuyez fermement sur les parois assemblées contre le panneau inférieur (M) et fixez-les avec 5 vis à tête plate longues (GG).



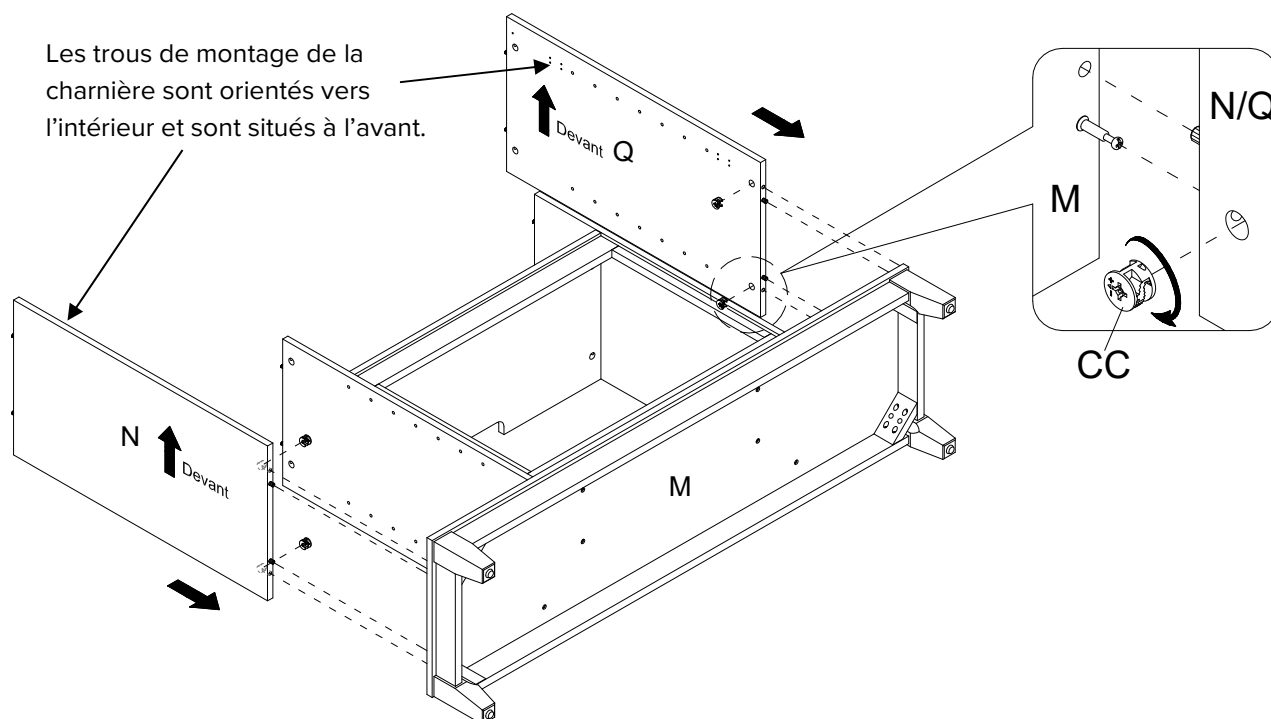
9 Fixer les supports court de foyer

- En utilisant les chevilles en bois comme guide, appuyez fermement sur les supports court de foyer (Y) contre le panneau inférieur (M) et fixez-les avec 4 vis à tête plate longues (GG).



10 Fixer des panneaux latéraux

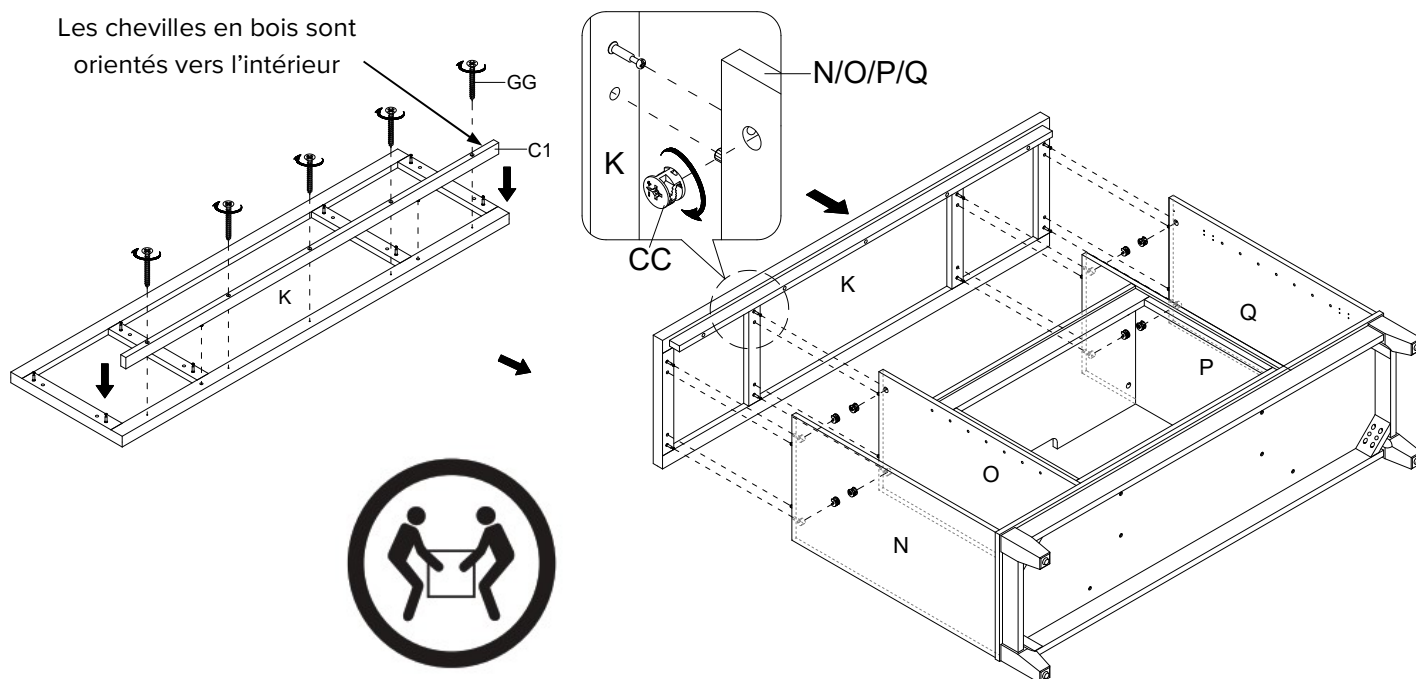
- Fixez les panneaux latéraux (N et Q) au panneau inférieur (M) en engageant 4 verrous à came (CC) comme illustré.



11 Fixation du panneau supérieur

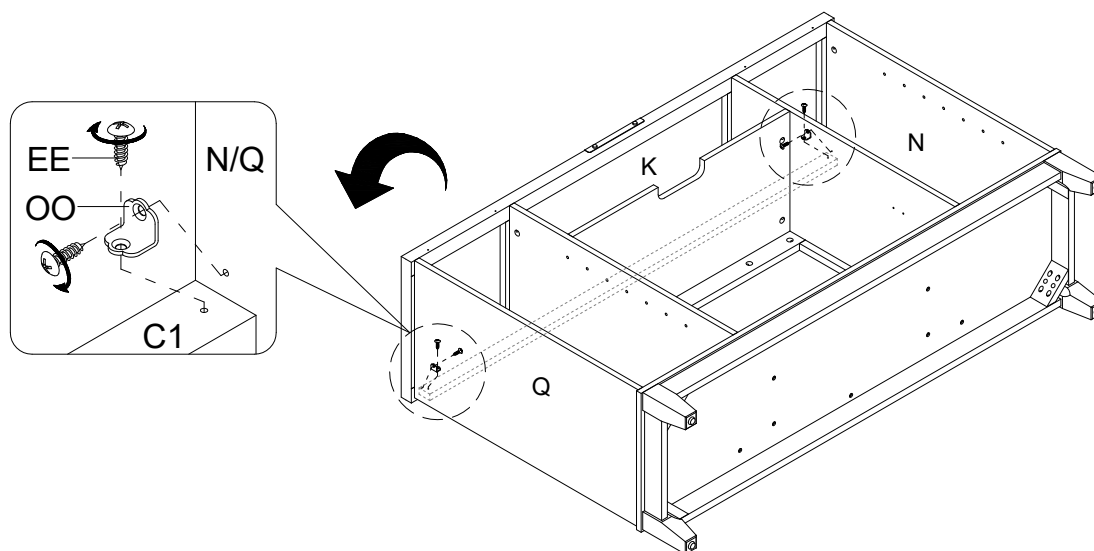
- En utilisant les chevilles en bois comme guide, appuyez fermement sur la châssis avant supérieur (C1) contre le panneau supérieur (K) et fixez-les avec 5 vis à tête plate longues (GG).
- En utilisant les chevilles en bois comme guide, alignez et fixez le panneau supérieur (K) aux panneaux verticaux (N, O, P et Q) en engageant 8 verrous à came (CC).

Les chevilles en bois sont orientés vers l'intérieur



12 Fixation du châssis avant supérieur

- Demandez de l'aide pour retourner l'assemblage précédent sur ses bords avant.
- En utilisant les chevilles en bois comme guide, fixez deux supports métallique "L" petit (OO) aux joints où la châssis avant supérieure (C1) rencontre les panneaux latéraux (N et Q), avec deux vis à tête cylindrique (EE) par support.

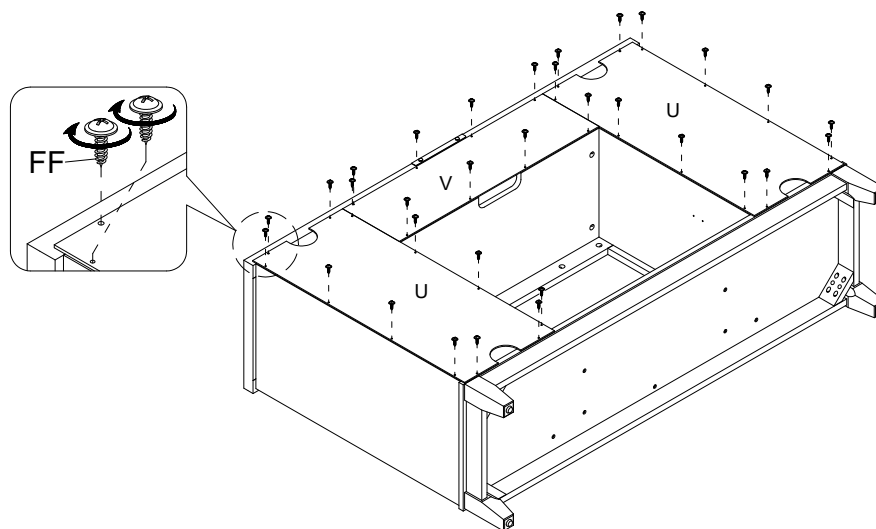


13 Fixation des panneaux arrière

- Maintenant, revenez et serrez solidement tous les verrous à came et vis. Assurez-vous que toutes les pièces sont bien serrées et qu'il n'y a pas d'espace entre les pièces. Cela permettra de maintenir l'unité à l'équerre.
- Prenez le panneau arrière central (V) et alignez les trous pré-perçés contre le bord long supérieur avec les trous pilotes à l'arrière du panneau supérieur (K). Fixez-le en place à l'aide de les vis à tête cylindrique fournies (FF).
- En utilisant les trous pilotes comme guide, alignez et fixez les panneaux arrière latéraux (U) au cadre de la cheminée avec les vis à tête cylindrique (FF).

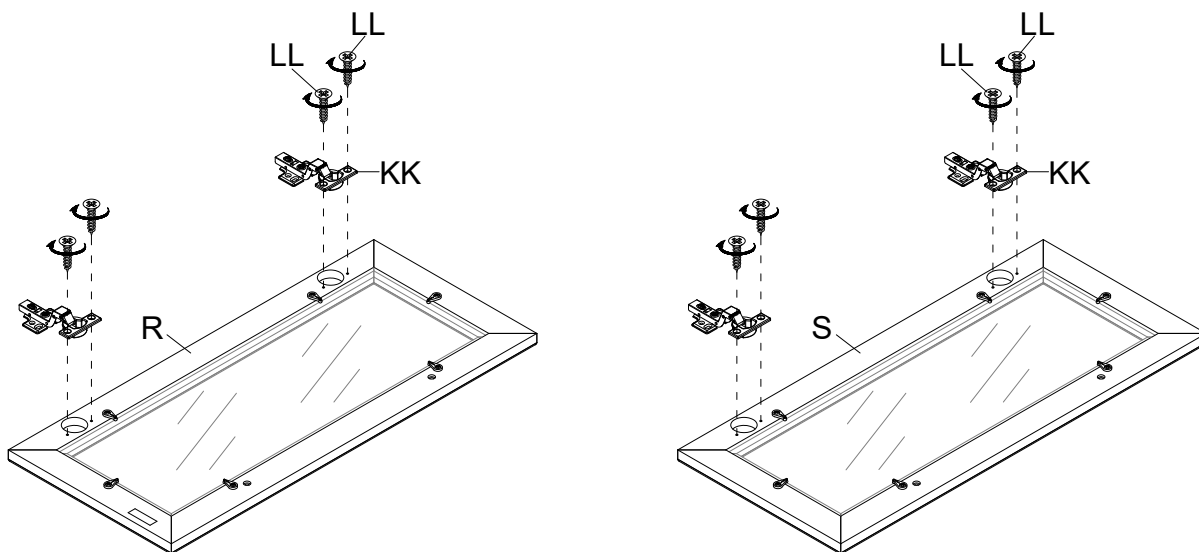


REMARQUE : Nous recommandons de fixer le panneau arrière avec les vis à tête cylindrique aux coins d'abord.



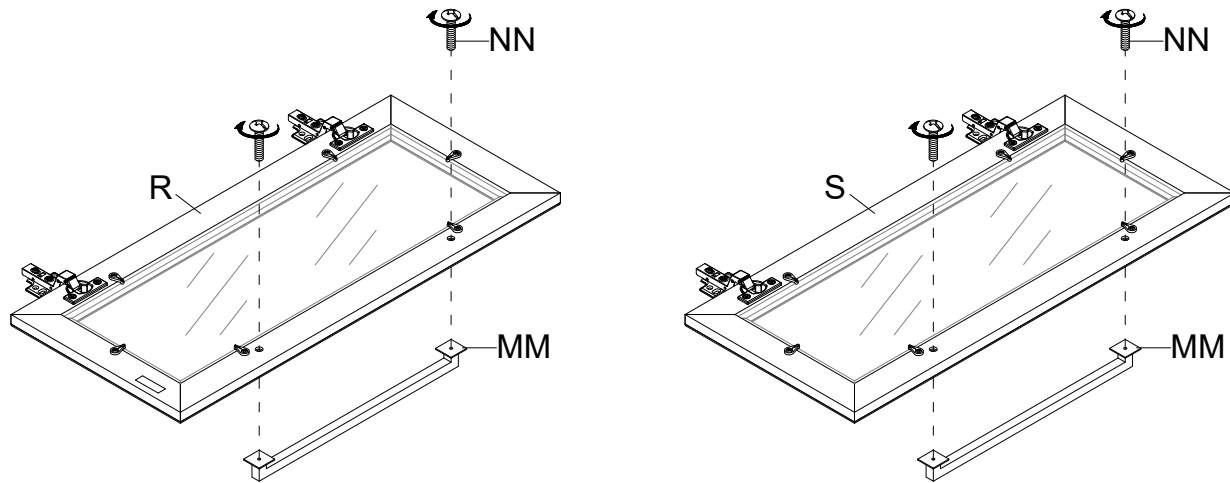
14 Installer des charnières de porte

- Déployez deux charnières de porte (KK) et posez les coupelles de charnière sur les découpes d'un panneau de porte (R et S). Fixez les charnières de porte (KK) en place au moyen de deux vis en nickel (LL) dans chaque.



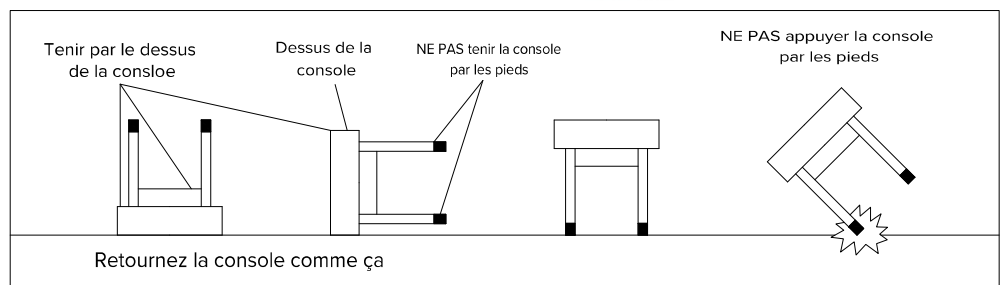
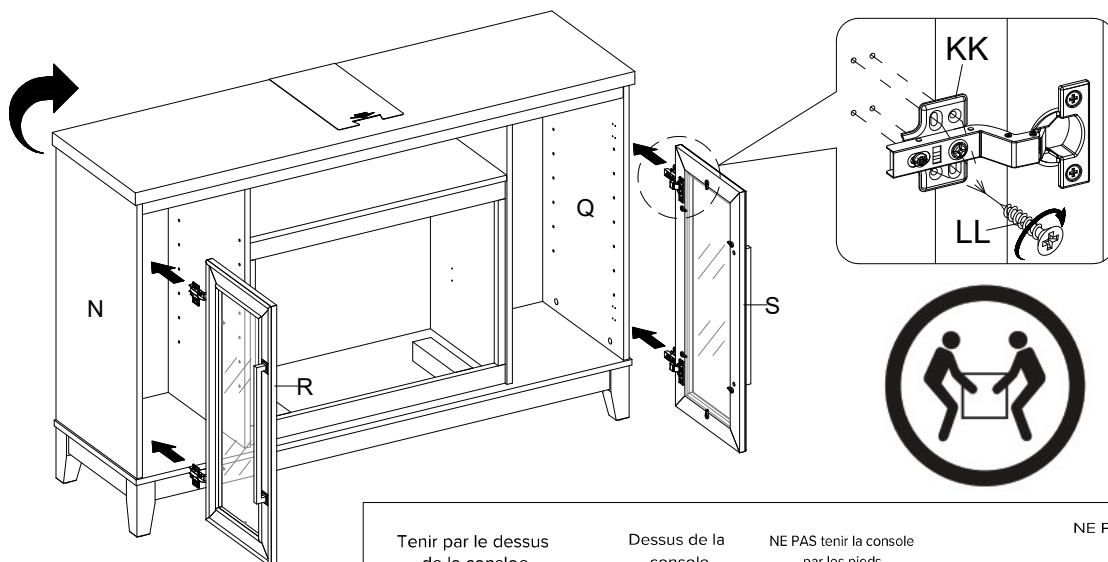
15 Installation des poignées de porte

- Fixez une poignée (MM) à l'avant de chaque porte (R et S) à l'aide de deux boulons de poignée (NN).



16 Fixer les panneaux de porte

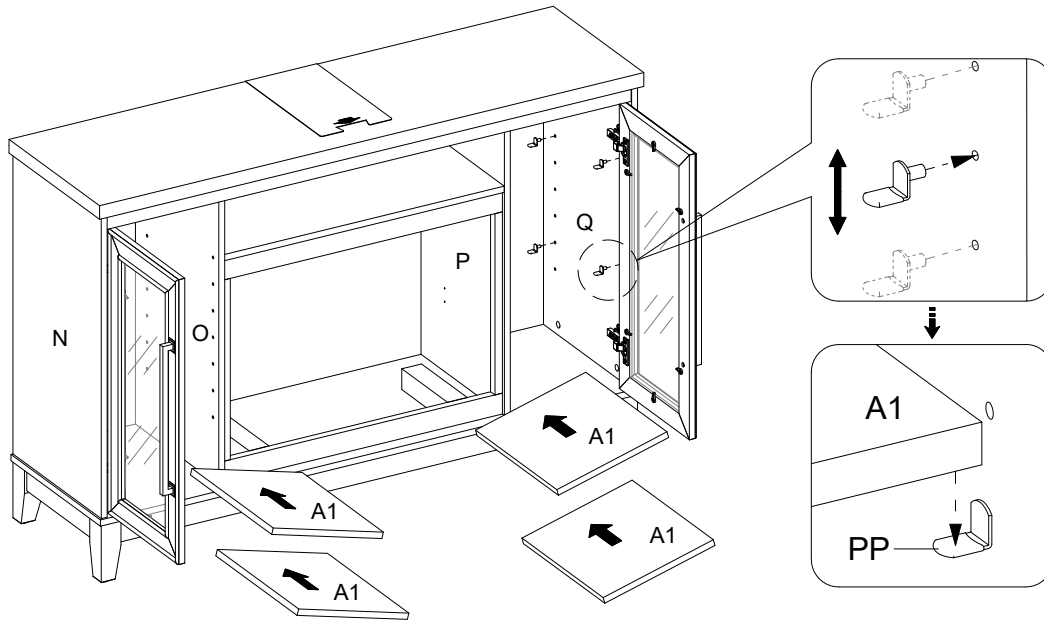
- Demandez de l'aide pour soulever l'unité de montage debout et la positionner près de l'emplacement final.
- Utilisez les trous pilotes comme guide, levez la porte gauche (R) et fixez les bases des charnières sur le panneau latéral gauche (N) avec quatre vis en nickel (LL) dans chaque.
- Répétez le même processus avec la porte droite (S).
- Ouvrez et fermez les portes pour vous assurer qu'elles sont bien alignées et se ferment correctement. Si nécessaire, ajustez les vis du bras de charnière pour un meilleur ajustement.



Assemblage (suite)

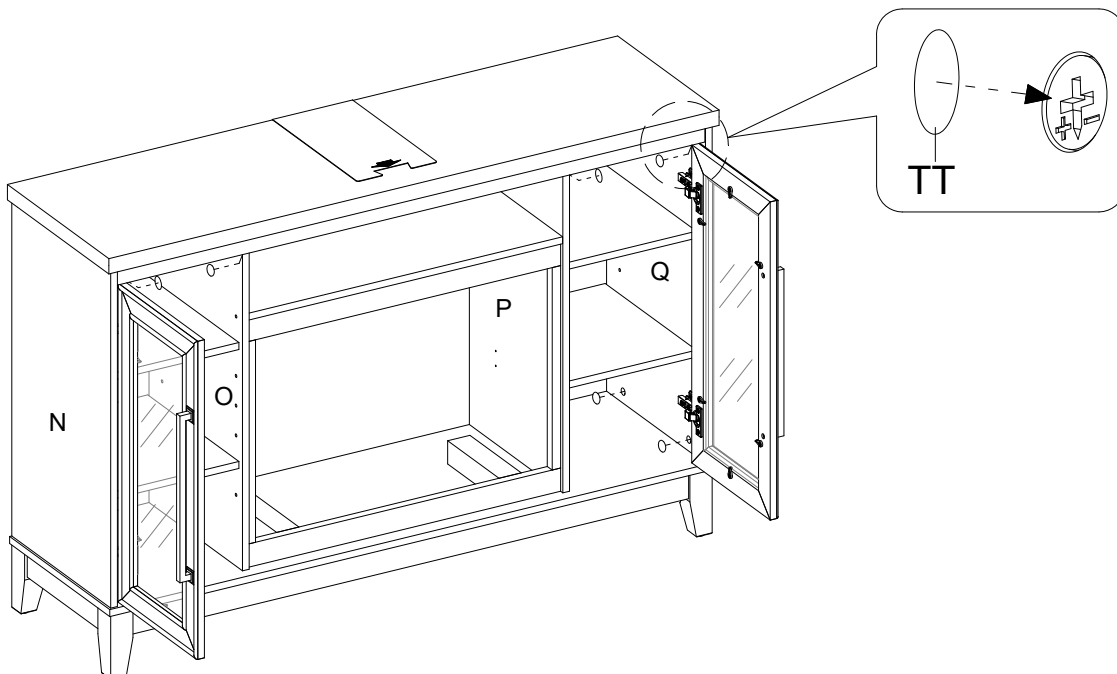
17 Fixer les étagères réglables

- Ouvrez les portes et insérez huit supports d'étagère (PP) dans les trous à la hauteur souhaitée à l'intérieur de chaque compartiment latéral. Assurez-vous de placer les quatre supports d'étagère au même niveau afin que l'étagère ne soit à niveau.
- Inclinez et posez les étagères réglables (A1) sur les supports d'étagère (PP).



18 Fixation de couvertures en papier

- Placez des autocollants en papier (TT) sur les verrous à came visibles.



Assemblage (suite)

19 Fixation des bras verticaux

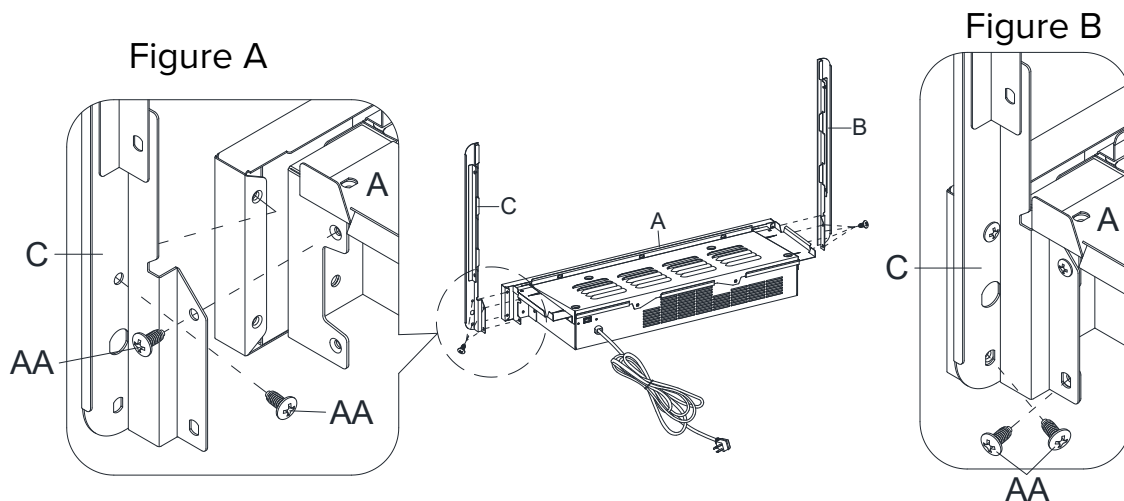


REMARQUE IMPORTANTE : assemblez le foyer encastrable avec un tournevis à main au lieu d'un tournevis électrique. Voir BILT pour les instructions video.

- Voir figure A : Serrez les 2 vis supérieures (AA) à travers le bras vertical (C) dans le radiateur (A) jusqu'à ce qu'elles soit bien serrées.
- Voir figure B : Serrez les 2 vis inférieures (AA) dans le bras vertical (C) jusqu'à ce qu'elle soit bien serrées.
- Serrez complètement les 4 vis (AA) une dernière fois.
- Répétez le même processus avec l'autre bras vertical (B).



AVERTISSEMENT : Ne soulevez ou ne transportez pas le radiateur en utilisant les bras verticaux.

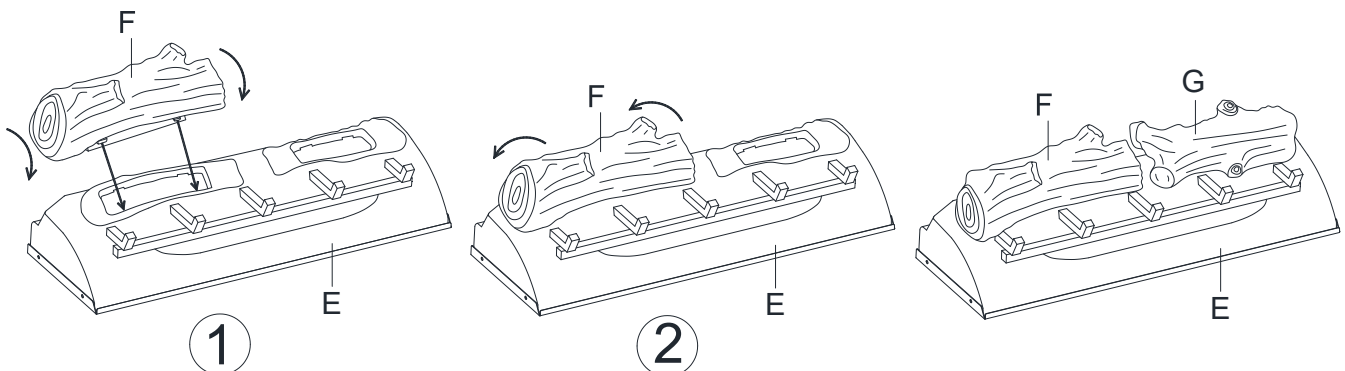


20 Fixation des bûches au lit de braises



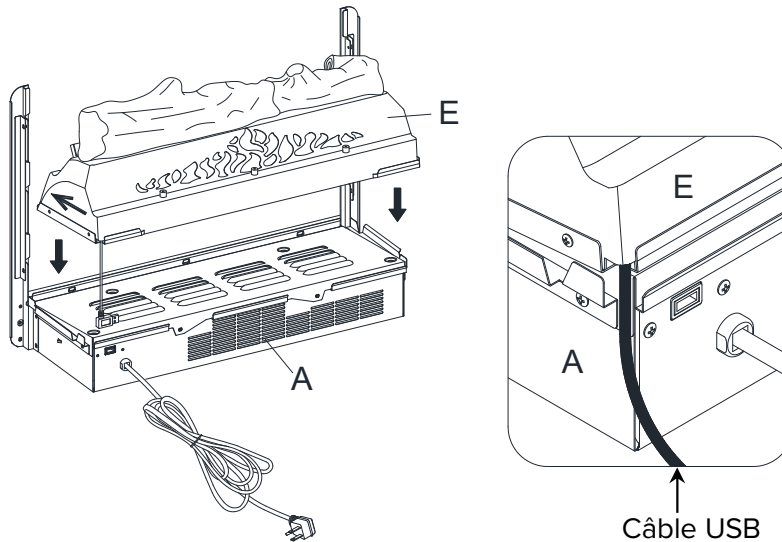
IMPORTANT : Suivez attentivement les 2 étapes ci-dessous pour insérer chaque bûche.

1. Installez la bûche gauche (F) dans le trou gauche du lit de braises (E) en insérant le bord avant de la base de la bûche dans les encoches avant du trou du lit de braises.
 2. Ensuite, inclinez la bûche vers l'arrière pour insérer le bord arrière de la base dans les encoches arrière du trou du lit de braises (Appuyez fermement pour verrouiller la bûche en position).
- Répétez le processus ci-dessus pour la bûche droite (G).



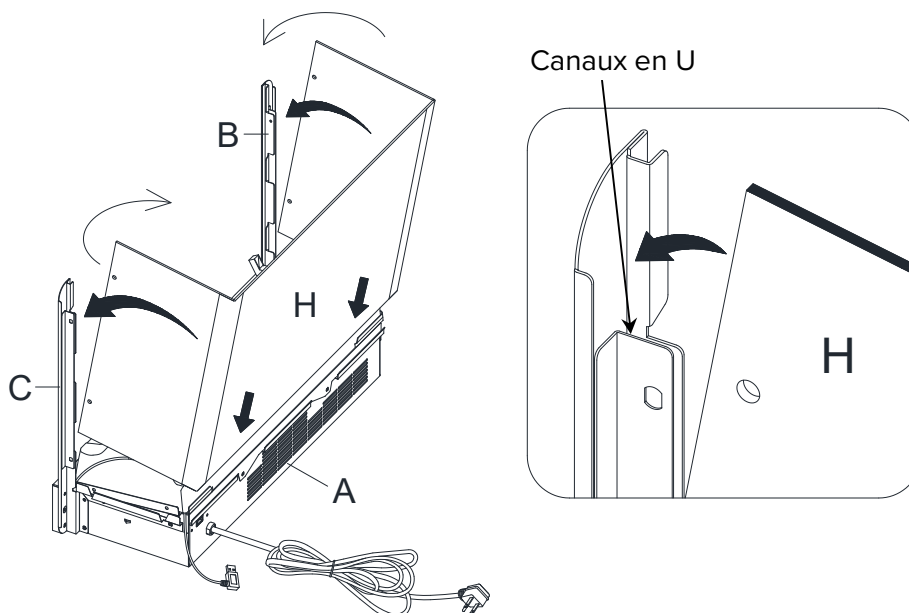
21 Positionnement du lit de braises

- Placez le lit de braises (E) sur le radiateur (A) comme illustré.
- Poussez le lit de braises vers l'avant contre la bride avant du radiateur.
- Positionnez le câble USB comme indiqué ci-dessous.



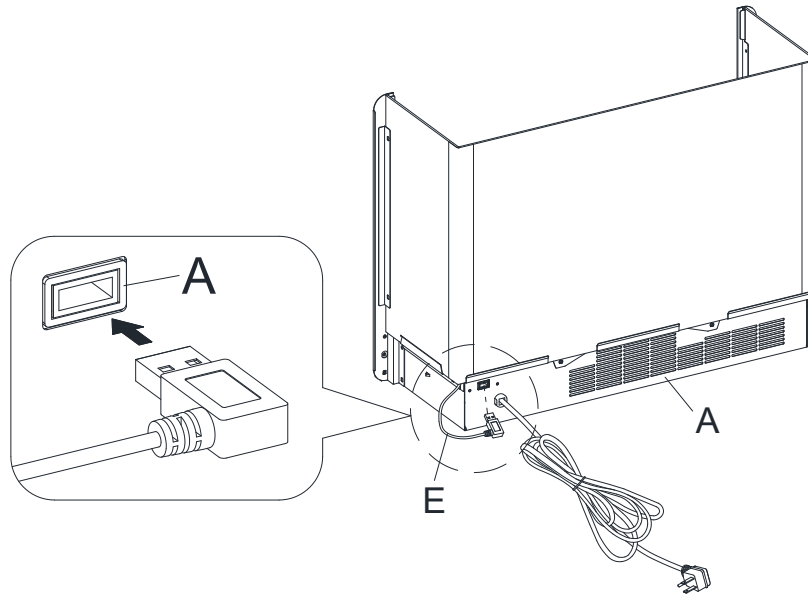
22 Fixation du panneau mural

- Pliez le panneau mural (H) comme illustré. Ensuite, faites face à l'arrière du radiateur (A).
- Tenez le panneau mural (H) à l'angle illustré ci-dessous et insérez le bord arrière inférieur dans les fentes métalliques à l'arrière du radiateur (A).
- Inclinez le panneau mural (H) vers l'avant jusqu'à ce que le coin inférieur s'insère dans les canaux en U inférieurs des deux bras verticaux (B et C).
- Continuez à incliner le panneau mural (H) vers l'avant jusqu'à ce que le coin supérieur s'insère dans les canaux en U supérieurs des deux bras verticaux (B et C).



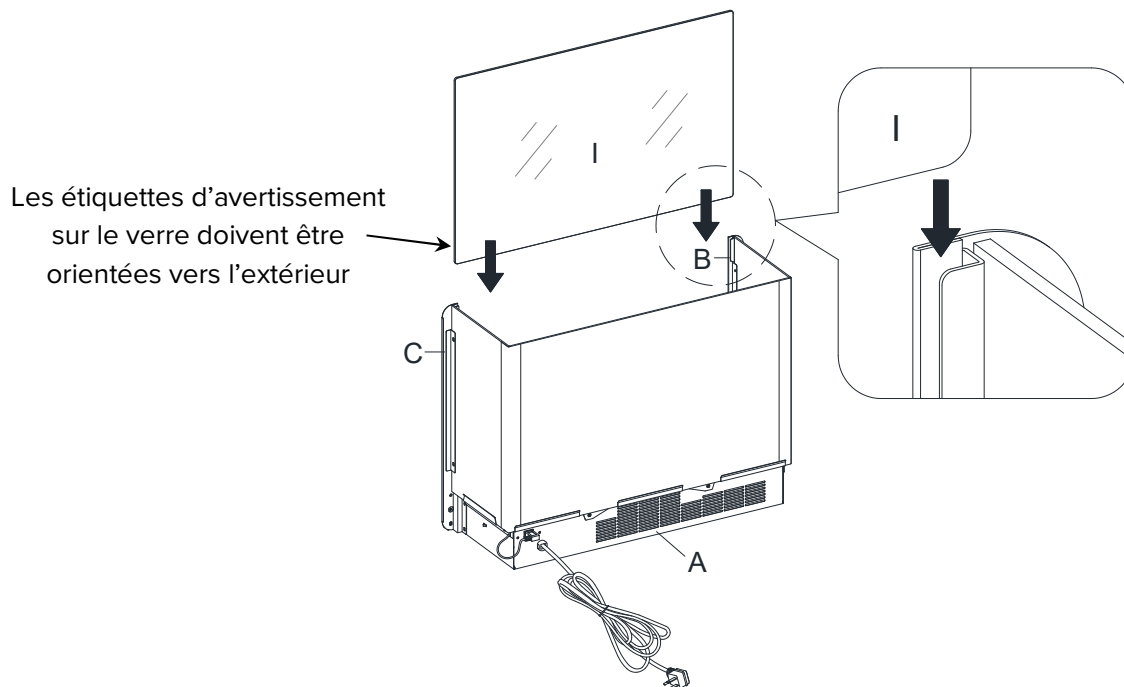
23 Connexion du câble du lit de braises au radiateur

- Branchez complètement le connecteur USB du lit de braises (E) dans le port arrière du radiateur (A).



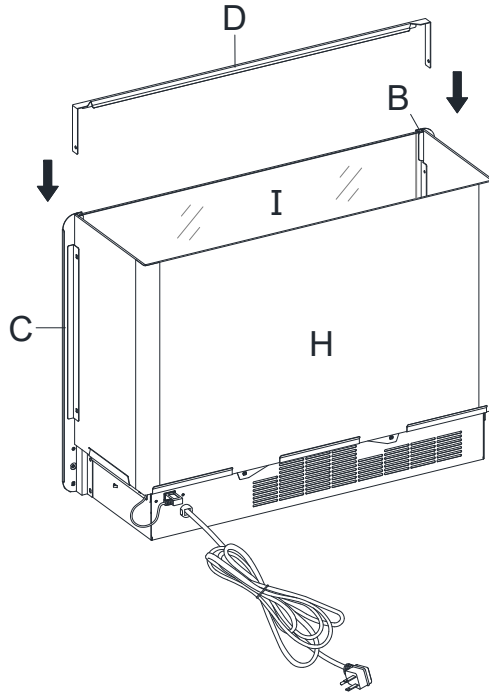
24 Insertion du verre

- Faites glisser le verre (I) dans les canaux en U intérieurs des deux bras verticaux (B et C) jusqu'à ce que le verre repose sur le radiateur (A). Si nécessaire, poussez sur le haut des bras verticaux vers l'intérieur ou vers l'extérieur afin que le verre puisse s'insérer facilement. Assurez-vous que le haut du verre (I) soit aligné avec le haut des deux bras verticaux (B et C).

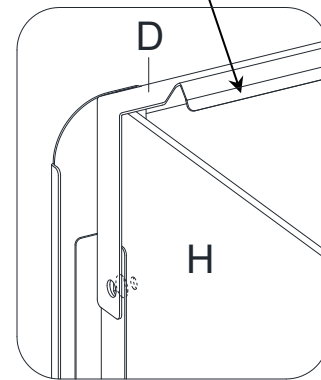


25 Positionnement de l'attache du connecteur

- Placez l'attache du connecteur (D) supérieur sur le verre (I) et les bras verticaux (B et C). Suivez l'orientation indiquée ci-dessous.

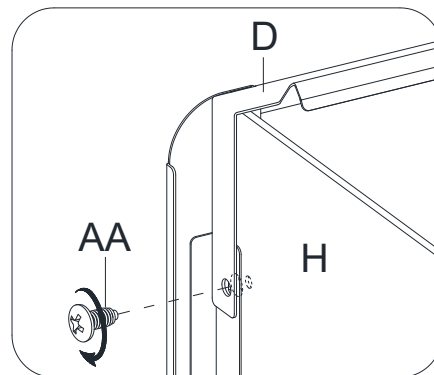
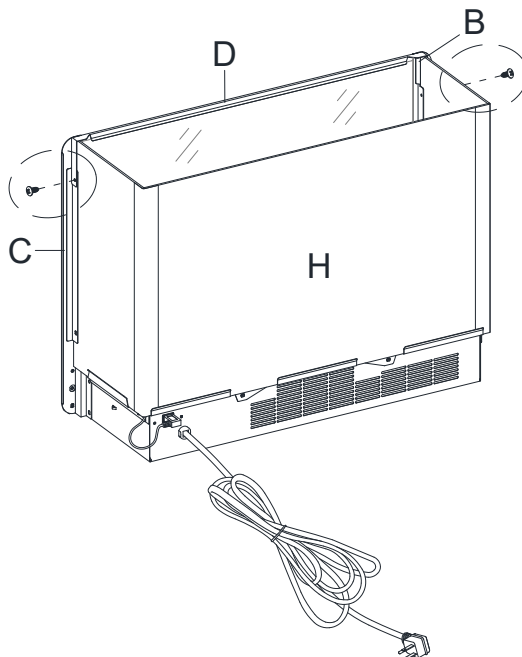


Le bord biseauté doit faire face à l'intérieur de l'appareil.



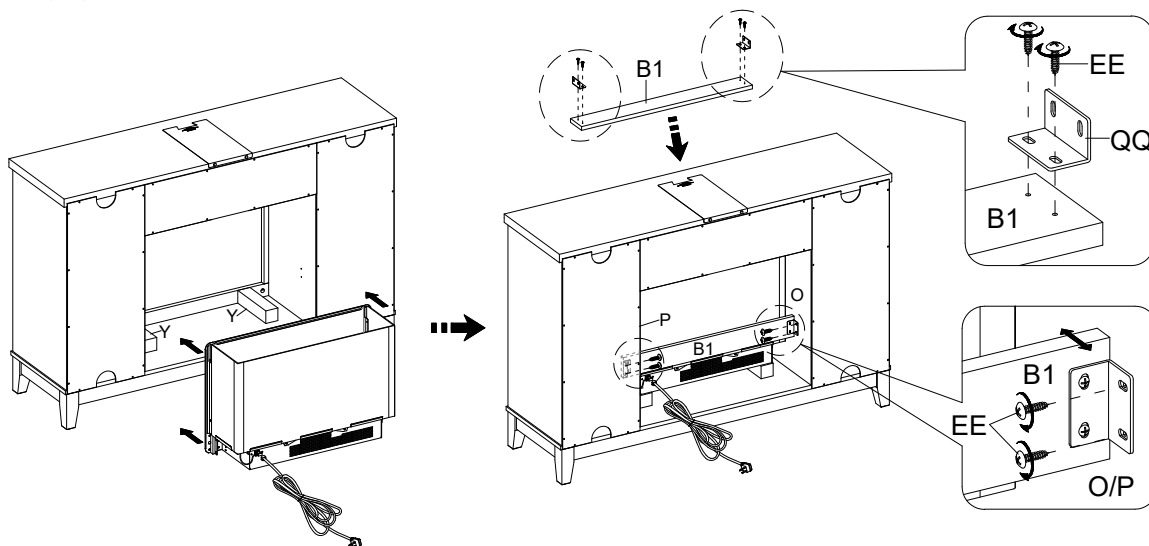
26 Fixation de l'attache du connecteur

- Fixez l'attache du connecteur (D) aux deux bras verticaux (B et C) à l'aide de deux vis (AA) comme indiqué ci-dessous. Les trous doivent être alignés pour que les vis puissent y passer.



27 Installer l'insertion de cheminée

- Soulevez délicatement le foyer encastrable à l'arrière du manteau assemblé et centrez-le dans l'ouverture.
- Utilisez les trous pilotes comme guide, fixez deux supports métalliques en L grands (QQ) sur le support de foyer (B1) avec quatre vis à tête cylindrique (EE). Assurez-vous que le côté à angle droit du support métallique affleure le bord court du support de foyer (B1).
- Utilisez les trous pilotes comme guide, fixez le support de foyer (B1) entre les parois (O et P) avec quatre vis à tête cylindrique (EE).



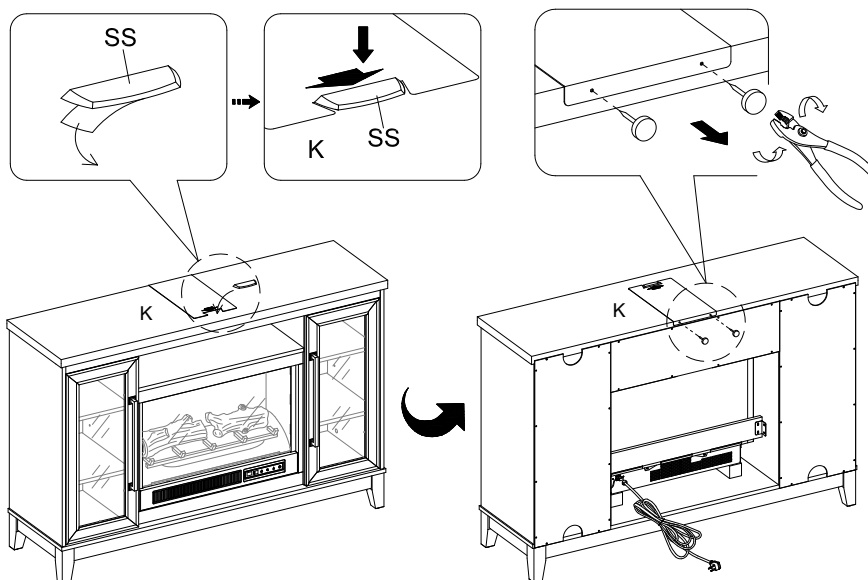
28 Installation des bouchons acryliques

- Retirez le papier adhésif du butoir acrylique (SS), puis alignez correctement le butoir acrylique sur la découpe du butoir sur le devant du panneau supérieur (K). Appuyez sur le butoir en acrylique pour faciliter l'adhérence.



REMARQUE : Pour éviter que votre téléviseur ne bascule, vous devez installer le bouchon TV acrylique si vous placez un téléviseur à écran plat sur le panneau du haut. Sinon, passez à l'étape suivante.

- À l'arrière du panneau supérieur (K), retirez délicatement les punaises à l'aide d'une pince afin de retirer le butoir en acrylique.



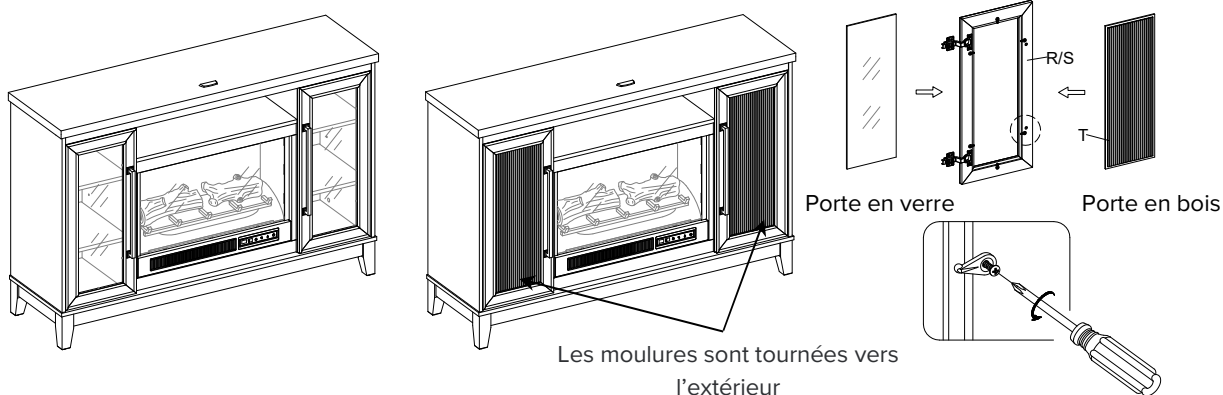
Assemblage (suite)

29 L'échange du panneaux d'insertion de porte

- Pour changer les panneaux de porte, desserrez les vis à l'intérieur de la porte et tournez les clips pour retirer le panneau. Remplacez-le par le panneau souhaité, puis faites pivoter les clips pour fixer le panneau dans le cadre de la porte et serrez les vis.



REMARQUE : Les panneaux de porte en verre sont pré-fixés lors de l'expédition. Vous pouvez les conserver ou échanger selon la configuration souhaitée.

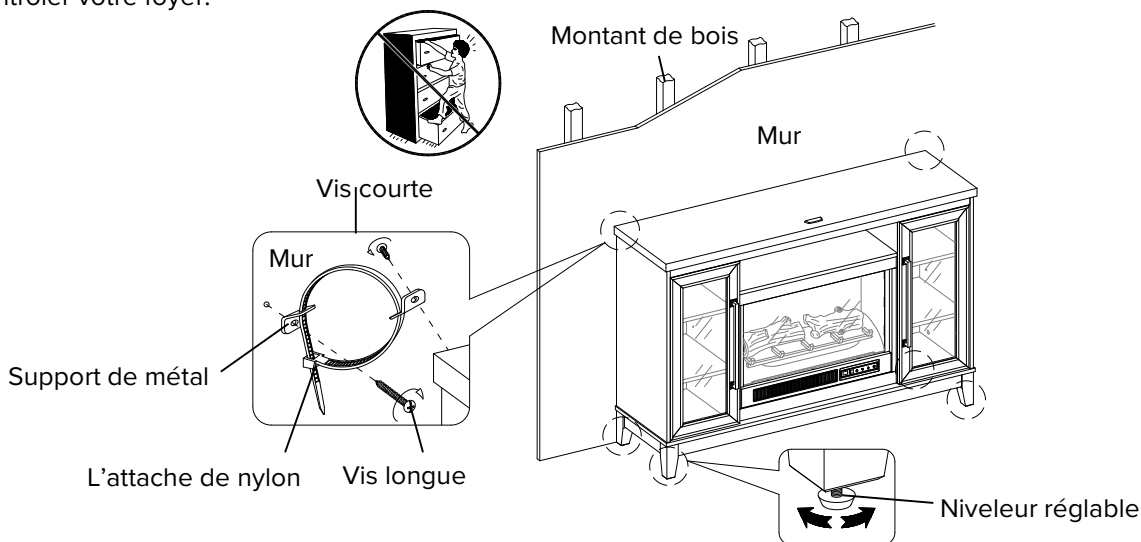


30 Installation de la quincaillerie antibasculement



AVERTISSEMENT : La quincaillerie antibasculement fournie est conçue pour les murs à montants de bois. Elle doit être fixée à un montant de bois. Selon le type de mur, des pièces d'ancrage différentes pourraient être requises. Veuillez communiquer avec votre quincaillier pour obtenir de l'assistance. Les jeunes enfants peuvent se blesser grièvement si le meuble bascule. La trousse antibasculement doit être installée pour prévenir la chute du meuble causant des accidents ou des dommages à l'unité. Les trousse antibasculement ne servent que de dissuasifs et ne remplacent pas une supervision adulte adéquate. Les trousse antibasculement ne résistent pas aux tremblements de terre. Pour plus de sûreté en cas de tremblement de terre, des dispositifs particuliers doivent être achetés et installés séparément.

- Faites-vous aider pour placer le foyer assemblé à l'endroit désiré contre un mur. Si nécessaire, réglez les niveleurs de sol pré-attachés à la main pour corriger l'inclinaison et le niveau des portes, jusqu'à ce que l'unité soit de niveau.
- Suivez les instructions imprimées sur le sac en plastique contenant la quincaillerie de retenue basculante pour fixer les dispositifs de retenue à l'appareil et au mur.
- Branchez le foyer au transformateur de puissance. Suivez le manuel d'utilisation de l'insert électrique du foyer pour contrôler votre foyer.



Entretien

Un crayon à retouche est fourni pour minimiser les petites marques ou éraflures pouvant survenir lors du montage ou de l'expédition.

Entretien de votre meuble :

- Utilisez un tissu doux et propre qui n'égratignera pas la surface lors de l'époussetage.
- Il n'est pas nécessaire d'utiliser de la cire à meubles. Si vous décidez de le faire, appliquez d'abord le produit sur une zone invisible du meuble.
- L'utilisation de solvants, quels qu'ils soient, sur votre meuble peut endommager le fini.
- N'utilisez jamais d'eau pour nettoyer votre meuble, car elle pourrait endommager le fini.
- Utilisez toujours des sous-verres sous les verres de boisson et les pots de fleurs.
- Le liquide renversé doit être essuyé immédiatement. Asséchez le liquide doucement avec un tissu propre et doux. Évitez de frotter.
- Utilisez toujours des sous-plats sous les plats chauds et les assiettes. La chaleur peut provoquer des changements chimiques pouvant causer l'apparition de taches sur le fini du meuble.
- Si votre meuble est taché ou endommagé, nous vous recommandons de faire appel à un professionnel pour le réparer.
- Vérifiez les boulons/vis périodiquement et serrez-les au besoin.

ENTRETIEN DE VOTRE MEUBLE EN BOIS

Il est préférable d'installer votre meuble dans un environnement climatisé. Des écarts extrêmes de température et d'humidité peuvent causer le pâlissement, le gauchissement, le rétrécissement et le fendillement du bois. Il est conseillé de mettre le meuble à l'abri de la lumière directe du soleil, car le soleil peut endommager le fini.

Un entretien et un nettoyage appropriés à la maison prolongeront la durée de vie de votre meuble. Suivez ces conseils importants et pratiques pour que votre meuble s'améliore avec l'âge.

NETTOYAGE DE LA GARNITURE DU FOYER

Nettoyez la garniture de métal avec un chiffon doux humecté avec un produit à base d'huile d'agrumes et polissez avec un chiffon propre et doux. ÉVITEZ D'UTILISER un produit de polissage pour le laiton ou un produit d'entretien ménager, car ils endommageraient la garniture de métal. Vous pouvez vous procurer des produits à base d'huile d'agrumes dans les supermarchés ou les quincailleries.



AVERTISSEMENT

- L'unité doit être placée sur une surface plane ou nivelée avec la quincaillerie incluse (le cas échéant).
- Veuillez ne pas vous asseoir ou vous tenir debout sur le produit assemblé, et ne permettez pas aux enfants de grimper, de s'asseoir ou de se tenir debout sur le produit assemblé.
- Pour des raisons de sécurité, cette unité doit être fixée au mur.
- Sinon, l'unité peut basculer et causer des blessures graves ou la mort.
- N'ouvrez jamais plus d'un tiroir à la fois.
- Ne dépassez pas les limites de poids recommandées.
- Avant de couper, de percer ou de marteler une surface de mur ou de sol, vérifiez l'emplacement des conduites électriques, de plomberie et de gaz. La coupe incorrecte peut causer des blessures graves.

SCOTT  LIVING™

BY DREW & JONATHAN



Nous ne sommes satisfaits que si vous l'êtes, c'est pourquoi nous offrons une Garantie Love It de 30 jours. Si, pour une raison quelconque, vous n'aimez pas votre produit Scott Living, vous pouvez le retourner dans votre magasin dans un délai de 30 jours à compter de la date figurant sur votre reçu pour un remboursement complet - sans poser de questions.

LA POLITIQUE DE RETOUR POUR LES ARTICLES PERSONNALISÉS PEUT VARIER. VEUILLEZ VÉRIFIER AUPRÈS DE VOTRE DÉTAILLANT POUR PLUS DE DÉTAILS.

Vous avez des questions ou des problèmes? Certaines pièces sont manquantes? Avant de vous rendre au magasin, communiquez avec le service à la clientèle de

1-866-942-5362

Heure normale du Pacifique, entre 8 h 30 et 16 h 30, du lundi au vendredi

Vous pouvez également visiter notre site Web 24 heures par jour, 7 jours sur 7 pour obtenir de l'aide sur le produit www.whalenfurniture.com

ou transmettre une demande par courriel à parts@whalenfurniture.com

Conservez ce manuel comme référence future.

SCOTT LIVING™

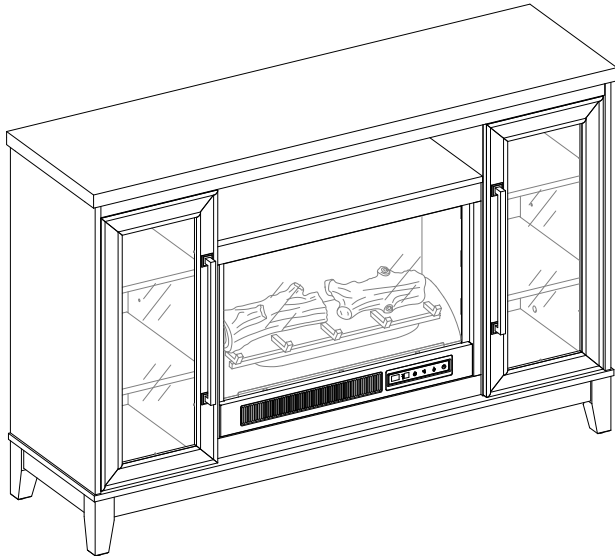
BY DREW & JONATHAN

OMSID # 320643182
320643194

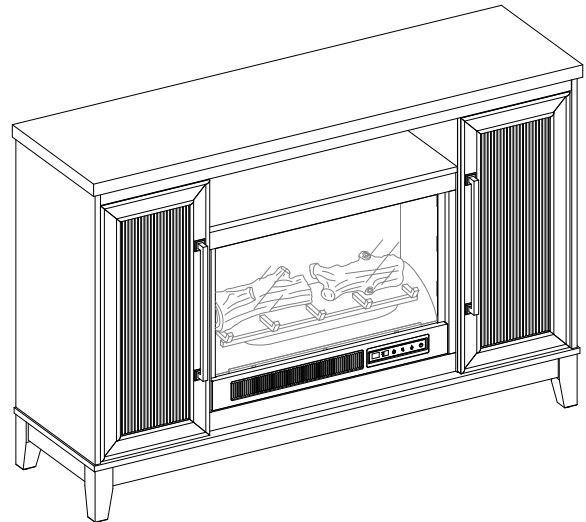
Modelo # HDSLFP54W-5A
HDSLFP54W-5B

INSTRUCCIONES DE ENSAMBLE

Consola de 54" con chimenea eléctrica infrarroja para medios Blaine



o



¿Preguntas, problemas, partes que falten? Antes de regresar a la tienda,

llame al servicio al cliente

1-866-942-5362

Hora estándar del Pacífico: 8:30 a.m. - 4:30 p.m., de Lunes a Viernes

O visite nuestra página de Internet 24 horas al día, 7 días a la semana para asistencia

www.whalenfurniture.com

O mande un correo electrónico a **parts@whalenfurniture.com**

GRACIAS

Apreciamos la confianza y confidencia que ha puesto en Scott Living por Drew & Jonathan a través de la compra de esta chimenea/calentón eléctrico. Nos esforzamos para crear productos de calidad diseñados para mejorar su casa. Visítenos en línea para ver nuestra línea completa de productos disponibles para sus necesidades de mejorar su casa.

¡Gracias por escoger Scott Living por Drew & Jonathan!

Lista de contenidos


Lista de contenidos 2
Información de seguridad..... 2
 Maximo peso recomendado 2
Garantía 2
Pre-ensamble 2
 Planeando el ensamble..... 2
 Herramientas requeridas 2

Ferretería incluida..... 3
Contenidos del paquete 4
Ensamble..... 5
Cuidados y mantenimiento..... 20
 Cuidados y mantenimiento 20
 Limpiando el borde de la chimenea..... 20

Información de seguridad

Por favor lea y entienda estas instrucciones antes de ensamblar y usar esta consola. Guarde estas instrucciones para referencia futura.

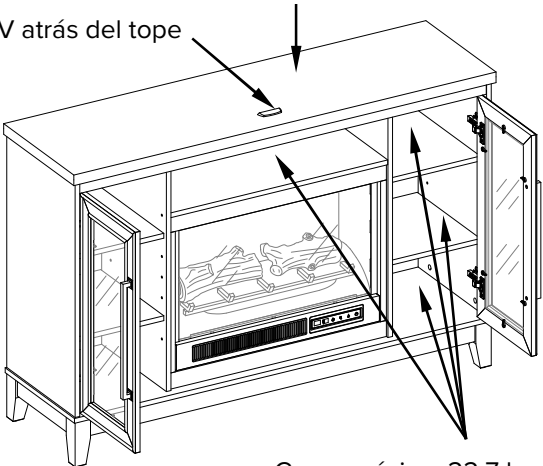
MAXIMO PESO RECOMENDADO



ADVERTENCIA: Esta unidad no debe utilizarse con televisiones CRT o de tubo. Utilizarse únicamente con televisiones de pantalla plana y equipo de audio/video que tenga la medida/peso recomendado. Nunca utilizar con televisiones más grandes/pesadas de las recomendadas. Para evitar inestabilidad colóquela en el centro de la unidad; la base de la televisión debe de reposar sobre la superficie de soporte de la unidad sin rebasar las orillas. Las televisiones de pantalla plana colocadas inapropiadamente, o las televisiones de pantalla plana incluyendo equipo que sobrepasa las medidas y pesos recomendados pueden caerse y/o romper la unidad, causando posibles daños o lesiones.

Permite TVs de pantalla diagonal de hasta 165.1 cm / 65 pulgadas
Carga máxima 36.3 kg / 80 lb.

Poner TV atrás del tope



Carga máxima 22.7 kg / 50 lb.

Garantía

Estamos confiados de que va a estar encantado con su compra. Si el producto es defectivo en el ensamblaje o en los materiales, o falla dentro del uso normal, nosotros lo repararemos o lo re-emplazaremos hasta por un año a partir de la fecha de compra.

Esta garantía le proporciona derechos legales específicos y talvez tenga otros derechos que varían de estado a estado.

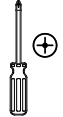
Contacte al equipo de servicio al cliente al 1-866-942-5362 o visite www.whalenfurniture.com.

Pre-ensamble

PLANEANDO EL ENSAMBLE

Comparar todas las partes con la lista de ferretería incluida y contenido del paquete. Si alguna parte parece estar perdida o dañada, no ensamble este producto y contacte al equipo de servicio al cliente al 1-866-942-5362.

HERRAMIENTAS REQUERIDAS



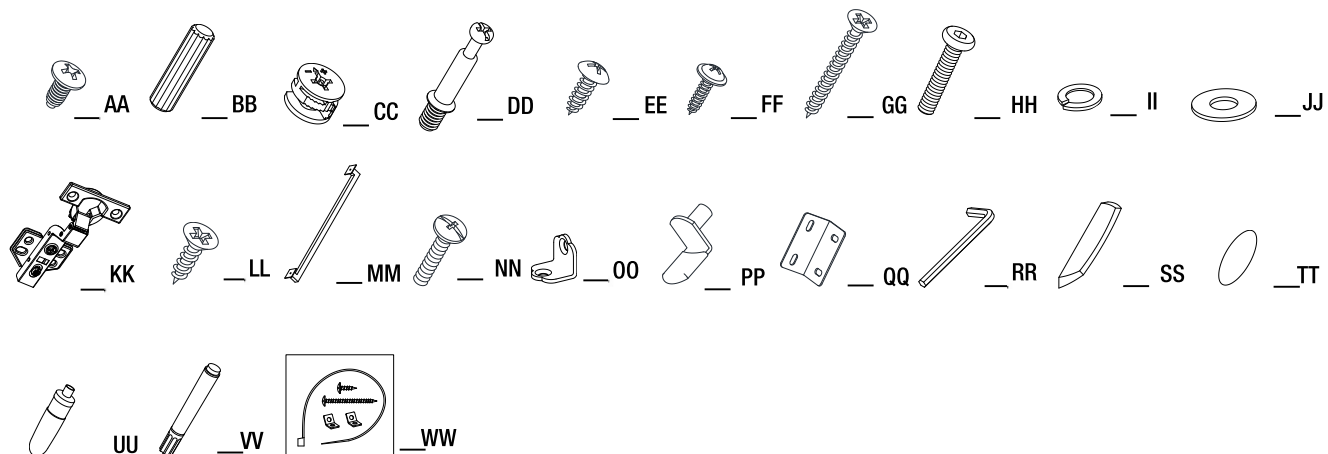
Desarmador
estrella
(no provisto)

Pre-ensamble (continuación)

FERRETERÍA INCLUIDA



NOTA: La ferretería no está mostrada al tamaño real.

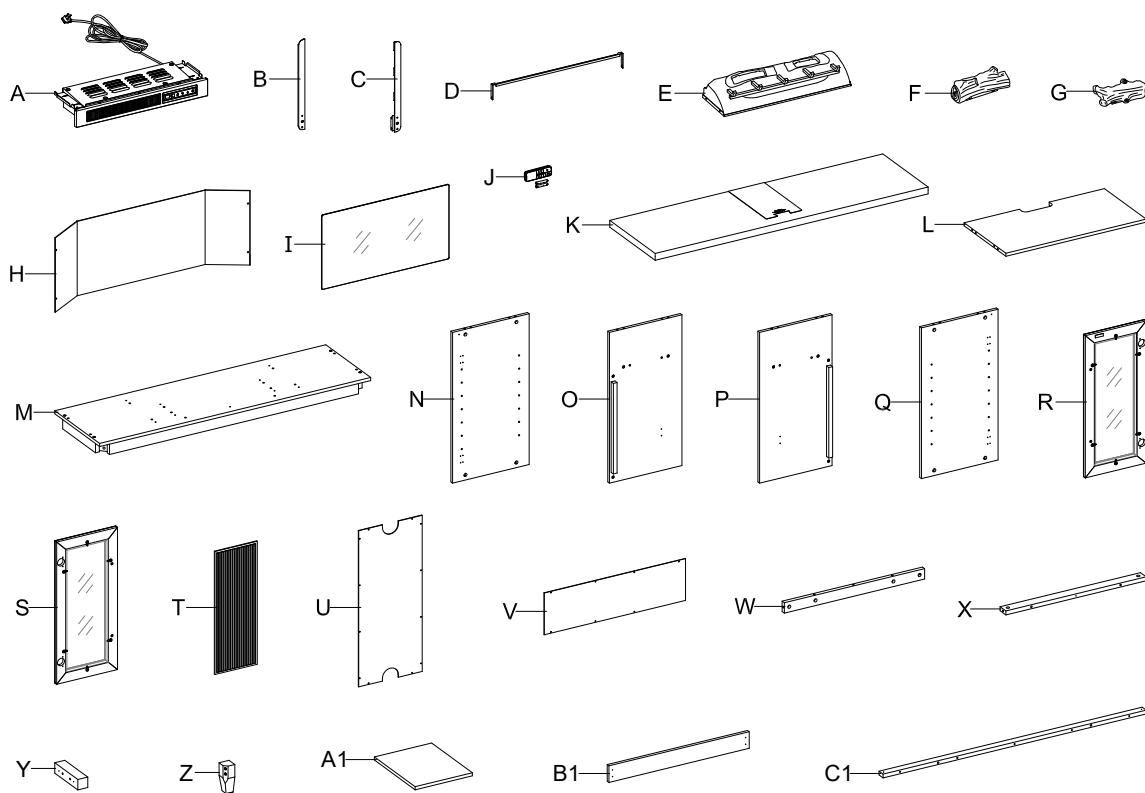


Parte	Descripción	Cantidad
AA	Perno para insertar	10+1 extra
BB	Clavija de madera	29+1 extra
CC	Tuerca de fijación	22+1 extra
DD	Perno de fijación	22+1 extra
EE	Perno de cabeza redonda	12+1 extra
FF	Perno de cabeza de arandela	32+1 extra
GG	Perno de cabeza plana largo	14+1 extra
HH	Perno	8+1 extra
II	Arandela de presión	8+1 extra
JJ	Arandela plana	8+1 extra
KK	Bisagra	4

Parte	Descripción	Cantidad
LL	Perno de níquel para bisagra	24+1 extra
MM	Manija	2
NN	Perno para manija	4
OO	Soporte L pequeño	2
PP	Soporte para repisa	16+1 extra
QQ	Soporte L grande	2
RR	Llave hexagonal	1
SS	Tope de acrílico	1
TT	Cubierta de papel	22+1 extra
UU	Pegamento	1
VV	Plumón	1
WW	Juego de restricción de movimiento	2

Pre-ensamble (continuación)

CONTENIDO DEL PAQUETE



Parte	Descripción	Cantidad
A	Calentón	1
B	Brazo izquierdo vertical	1
C	Brazo derecho vertical	1
D	Correa conectora	1
E	Lecho de brasas	1
F	Tronco izquierdo	1
G	Tronco derecho	1
H	Panel puerta de la caja de fuego	1
I	Vidrio de la caja de fuego	1
J	Control remoto con batería	1
K	Panel superior	1
L	Repisa media	1
M	Panel inferior	1
N	Panel izquierdo	1

Parte	Descripción	Cantidad
O	Panel divisor izquierdo	1
P	Panel divisor derecho	1
Q	Panel derecho	1
R	Puerta izquierda	1
S	Puerta derecha	1
T	Inserto de madera para puerta	2
U	Panel lateral posterior	2
V	Panel medio posterior	1
W	Soporte medio	1
X	Soporte de larga la caja de fuego	1
Y	Soporte de corta la caja de fuego	2
Z	Pata	4
A1	Repisa ajustable	4
B1	Soporte de la caja de fuego	1
C1	Soporte superior frontal	1

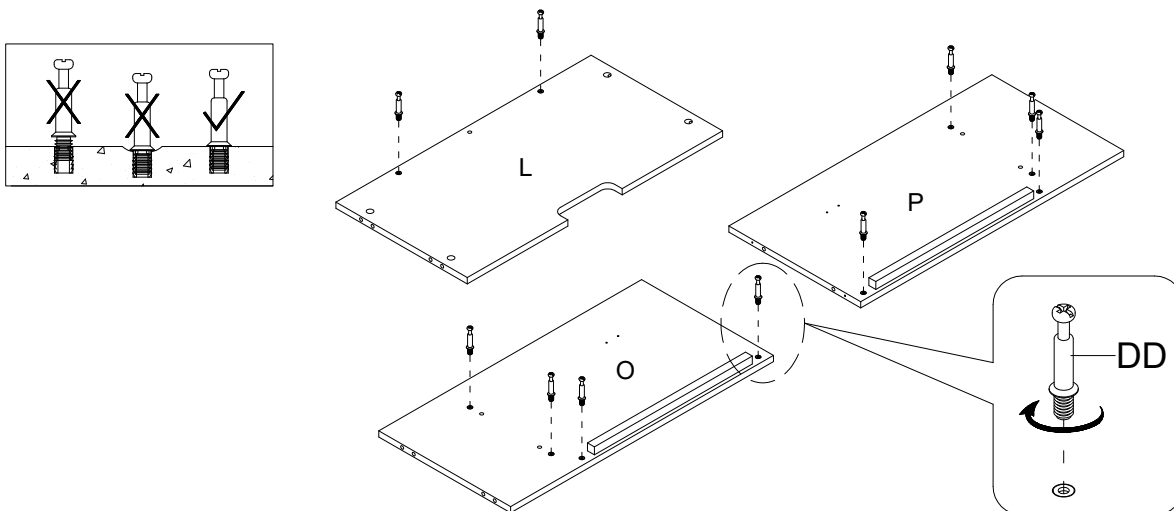
Ensamble

1 Preparando el ensamble de la repisa media y los paneles divisores



NOTA: Por favor no apriete completamente todos los pernos, hasta que termine con el ensamble de las partes. Después asegúrese de apretar todos los pernos. Esto hará el ensamble más fácil.

- Desempacar la unidad y confirmar que se tiene todo el material de ferretería y partes requeridas. Ensamblar la unidad en un piso alfombrado o en el cartón vacío para evitar rasguños.
- Atornillar los pernos de fijación (DD) en los agujeros pequeños designados en la repisa media (L) y en los paneles divisores (O y P) usando el desarmador estrella.

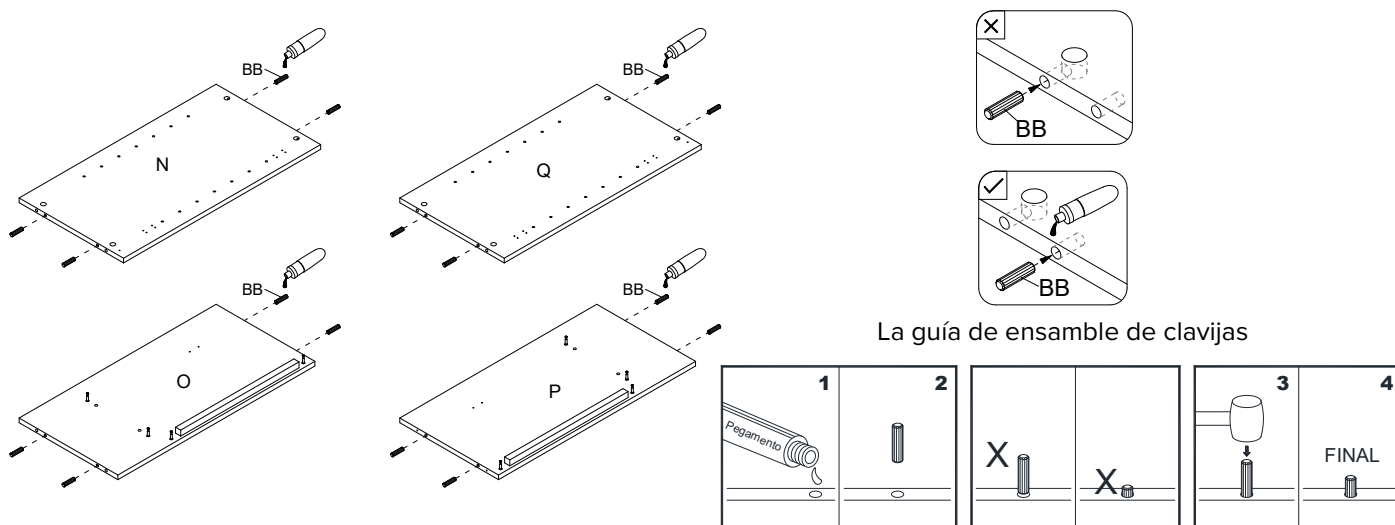


2 Pegando las clavijas de madera



NOTA: Consultar los dibujos guías de las clavijas en esté paso para aclarar como pegar apropiadamente las clavijas de madera. Aplique este metodo cuando sea instruido a instalar clavijas de madera.

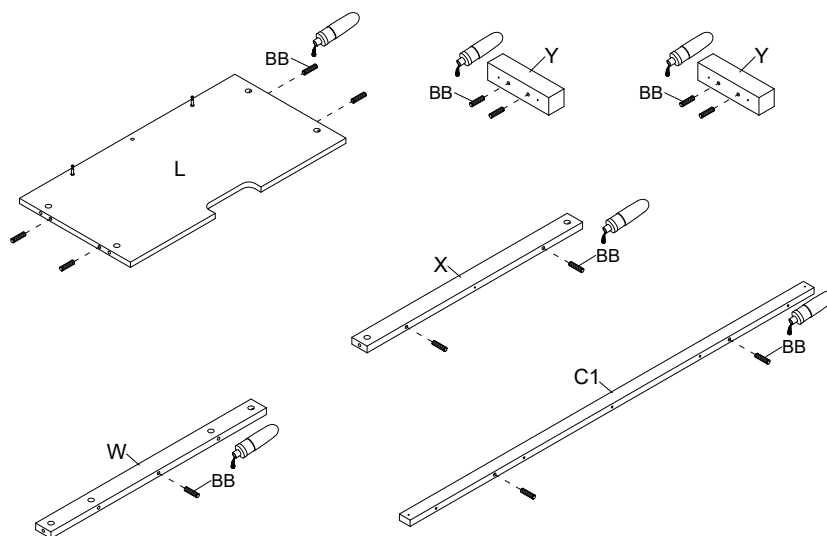
- Pegar las clavijas de madera (BB) en los agujeros designados en los paneles (N, O, P y Q) como se muestra. Es bien importante usar una cantidad pequeña de pegamento en ambos lados de las clavijas y limpiar el exceso de pegamento inmediatamente.



Ensamble (continuación)

3 Pegando las clavijas de madera

- Pegar las clavijas de madera (BB) en los agujeros designados en la repisa media (L), en el soporte medio (W), soportes de la caja de fuego (X y Y) y en el soporte superior frontal (C1) como se muestra.

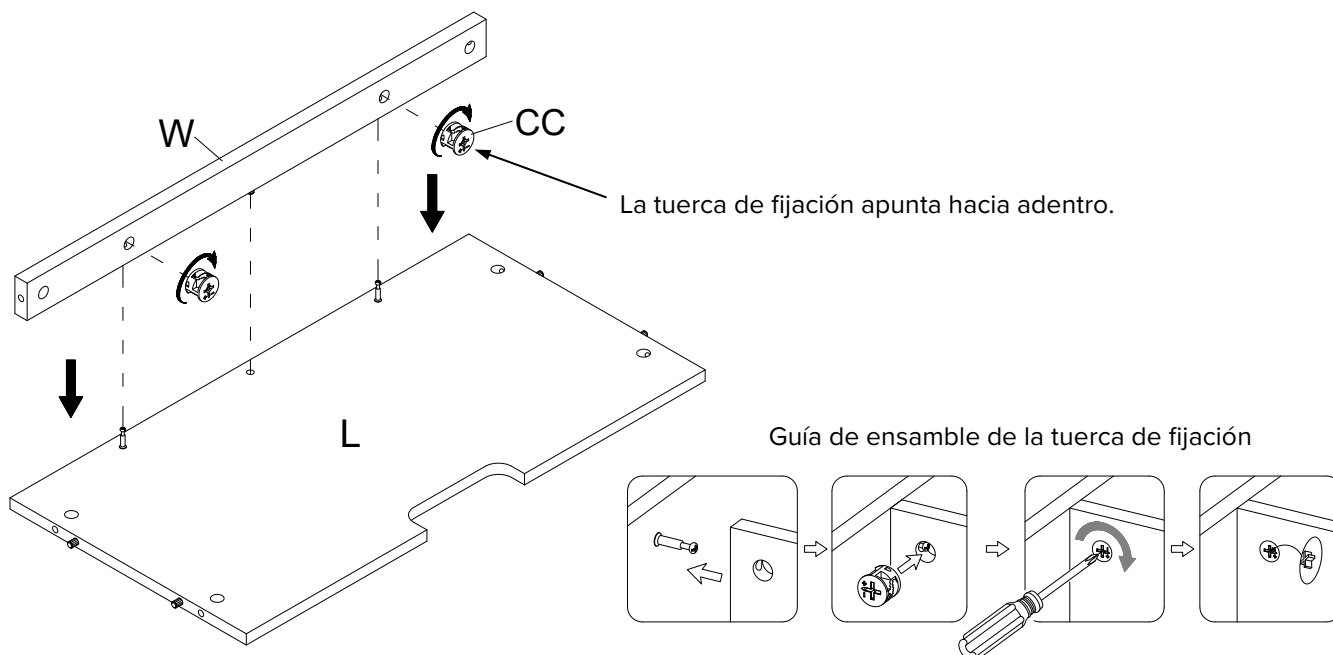


4 Adjuntando el soporte medio superior



NOTA: Consultar los dibujos guías de las tuercas de fijación en este paso para aclarar como pegar apropiadamente las turca de fijación. Aplique este método cuando sea instruido a instalar tuercas de fijación.

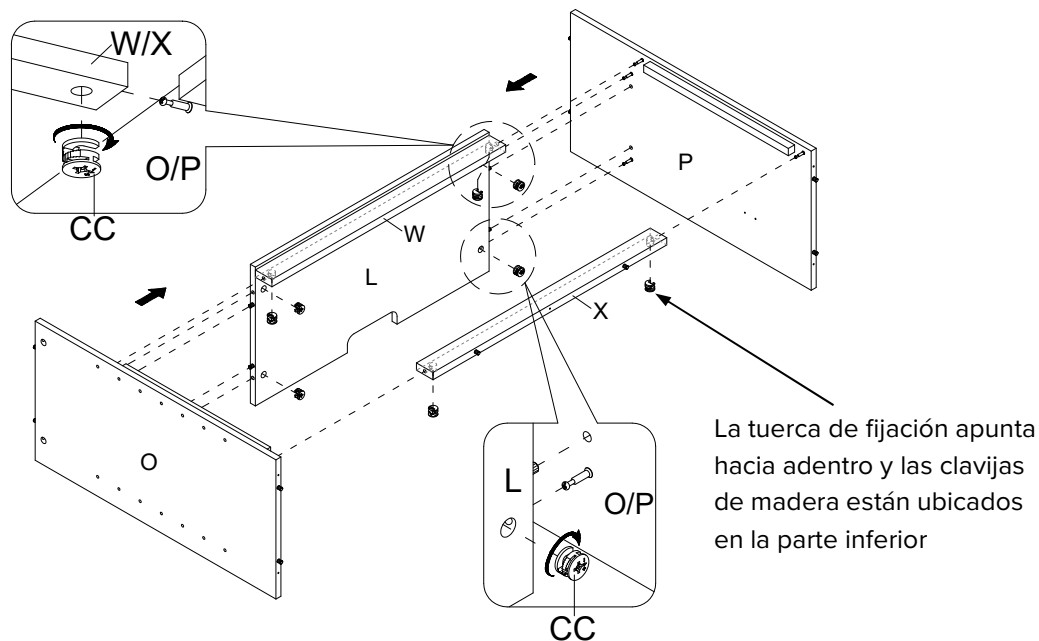
- Alinear y adjuntar el soporte medio superior (W) a la repisa media (L) y sujetar en su lugar empleando 2 tuercas de fijación (CC).



Ensamble (continuación)

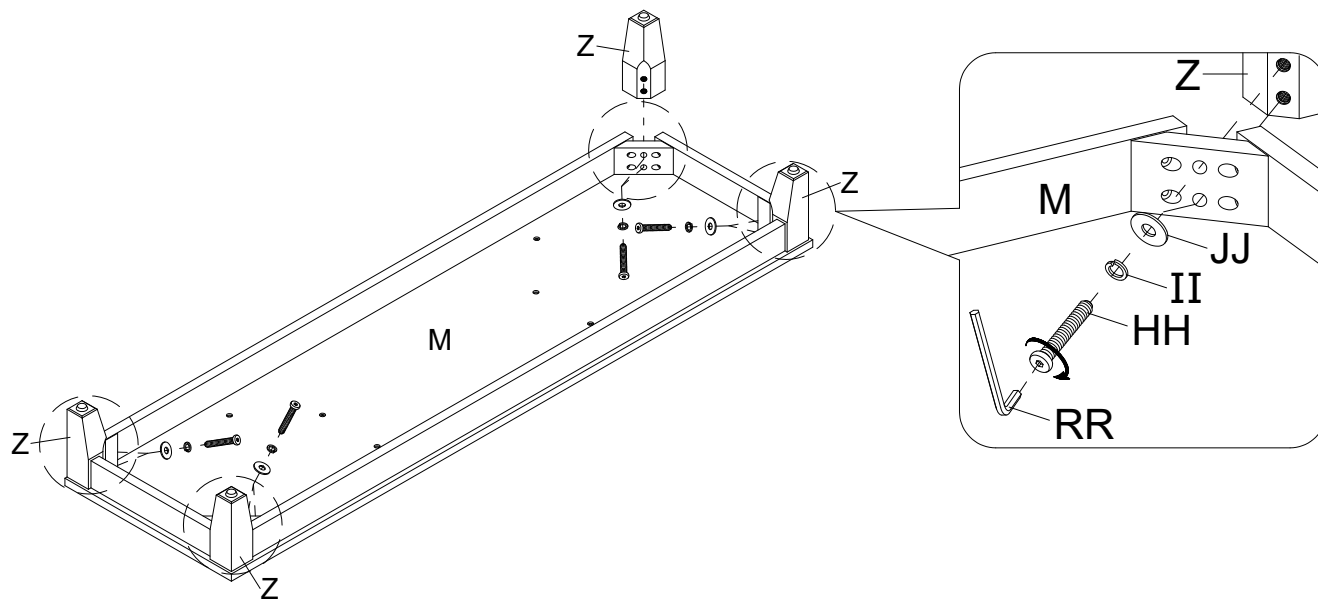
5 Adjuntando los repisa media y soporte de larga la caja de fuego

- Alinear y adjuntar la repisa media (L) y soporte de larga la caja de fuego (X) a el panel divisor izquierdo (O) empleando las tuercas de fijación (CC).
- Repetir el mismo paso para adjuntar el panel divisor derecho (P).



6 Adjuntando las patas

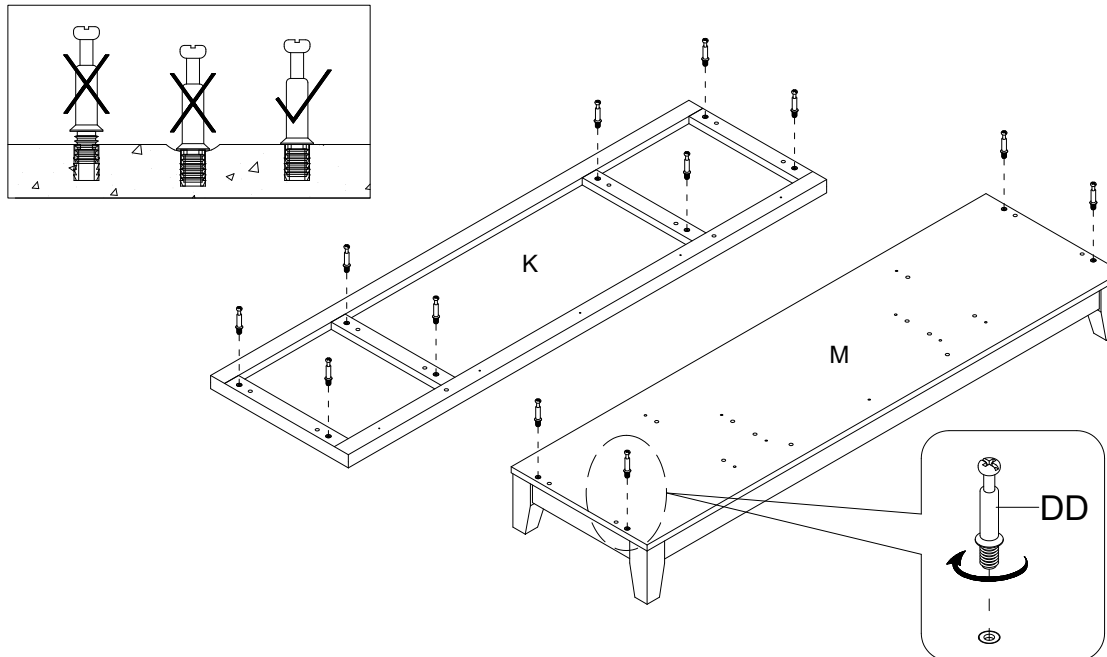
- Adjuntar las patas (Z) a las esquinas del panel inferior (M) con 2 pernos (HH), 2 arandelas de presión (II) y 2 arandelas planas (JJ) por pata.



Ensamble (continuación)

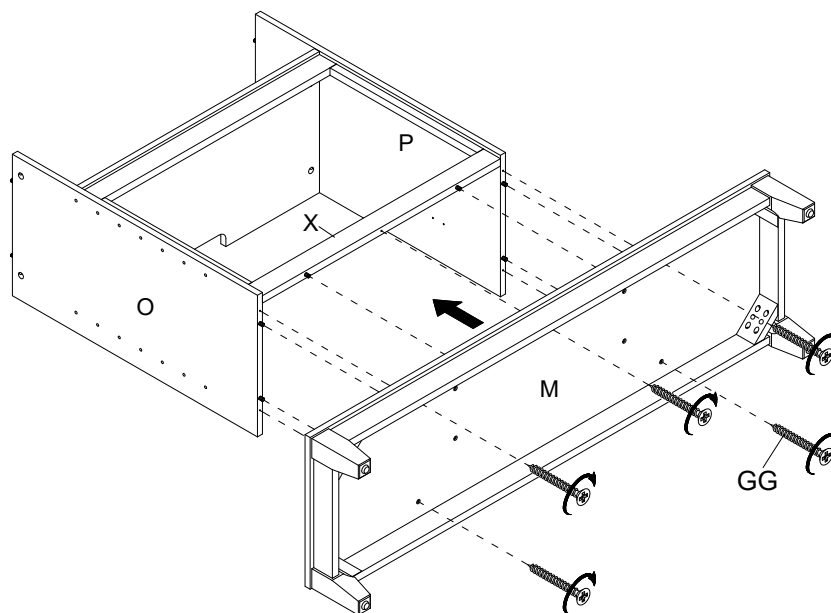
7 Preparando el ensamble de los paneles superior e inferior

- Atornillar los pernos de fijación (DD) en los agujeros pequeños designados en los paneles superior e inferior (K y M) usando el desarmador estrella.



8 Adjuntando la panels divisor ensamble

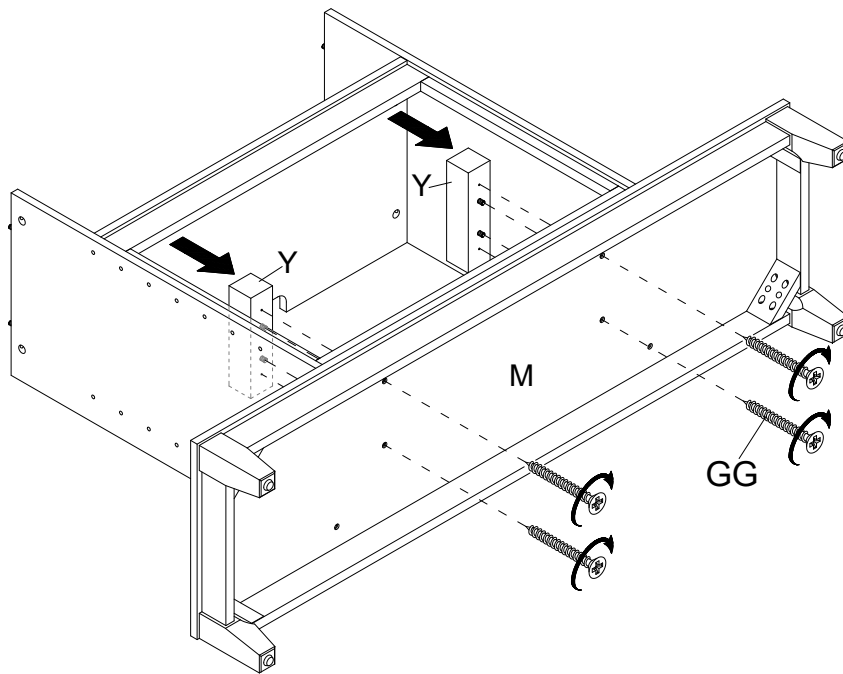
- Usando las clavijas de madera como guía, presionar el ensamble previo al panel inferior (M) y sujetar en su lugar con 5 pernos de cabeza plana largos (GG).



Ensamble (continuación)

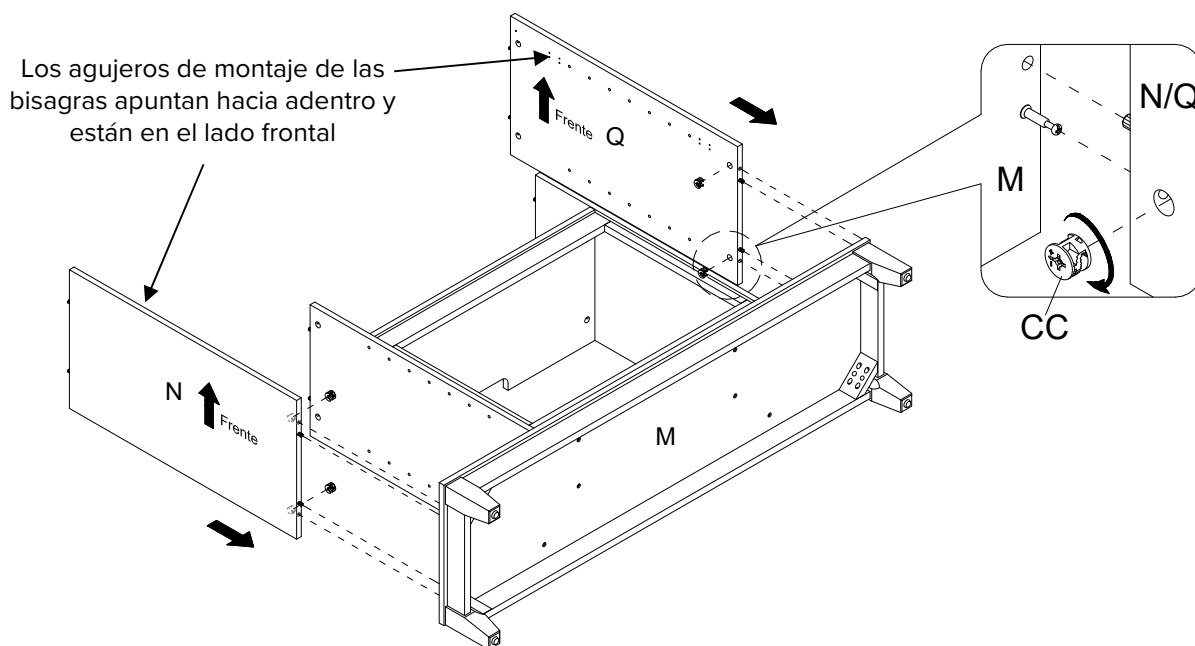
9 Ensamblado los soportes inferiores

- Usando las clavijas de madera como guía, presionar los soportes inferiores (Y) al panel inferior (M) y sujetarlos en su lugar con 4 pernos de cabeza plana (GG).



10 Adjuntando los paneles laterales

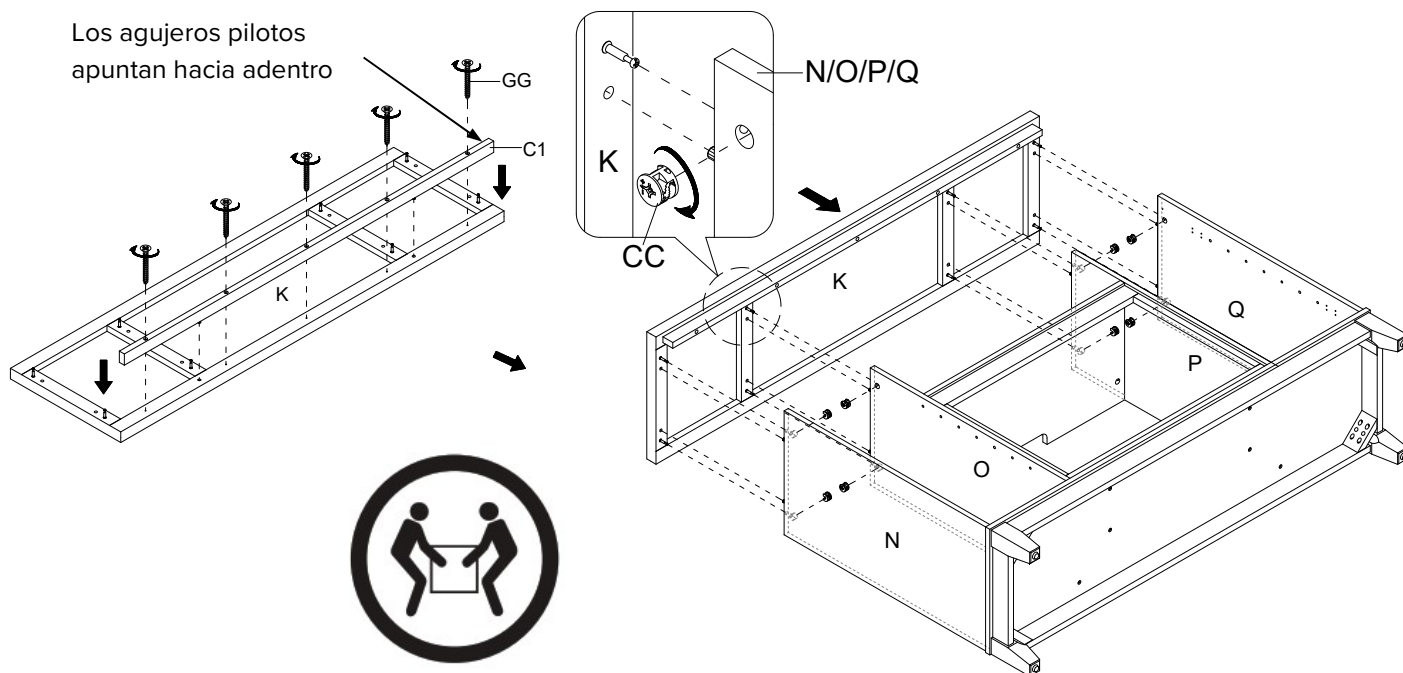
- Orientar y adjuntar dos paneles laterales (N y Q) al panel inferior (M) empleando 4 tuercas de fijación (CC) como se muestra.



11 Adjuntando el panel superior

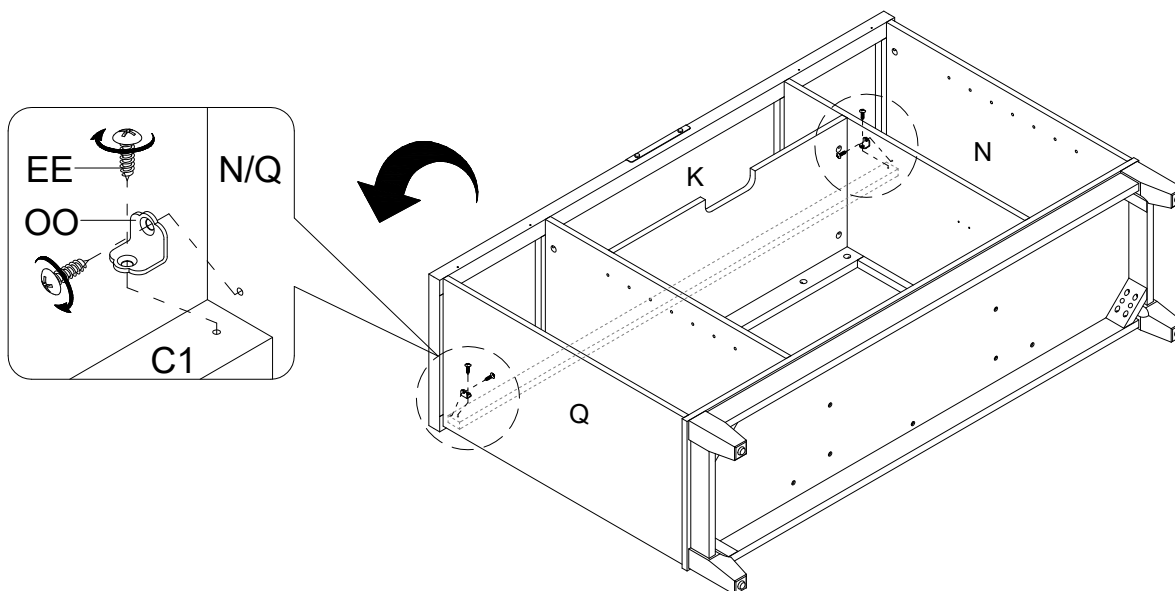
- Usando las clavijas de madera como guía, presionar el soporte superior frontal (C1) al panel superior (K) con 5 pernos de cabeza plana largos (GG).
- Usando las clavijas de madera como guía, alinear y adjuntar el panel superior (K) a los paneles verticales (N, O, P y Q) empleando 8 tuercas de fijación (CC).

Los agujeros pilotos apuntan hacia adentro



12 Sujetando el soporte superior frontal

- Pedir asistencia para voltear el ensamble previo en sus bordes frontales.
- Usando los agujeros pilotos como guía, adjuntar 2 soportes L pequeño (OO) en las conexiones donde el soporte superior frontal (C1) se encuentra con los paneles laterales (N y Q), con 2 pernos de cabeza redonda (EE) por soporte.



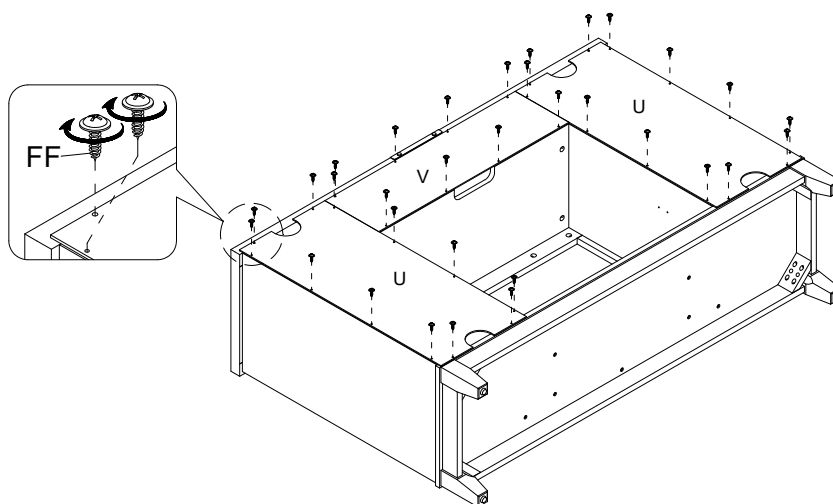
Ensamble (continuación)

13 Adjuntando los paneles posteriores

- Ahora, volver y apretar todas las tuercas de fijación y los pernos. Asegurar que todas las partes estén apretadas y de que no hay huecos entre las partes. Esto ayudara a mantener la unidad cuadrada.
- Tomar el panel medio posterior (V) y alinear los agujeros pre-perforados contra el borde superior largo con los agujeros pilotos en la parte posterior del panel superior (K). Adjuntar en su lugar usando los pernos de cabeza de arandela (FF).
- Usando los agujeros pilotos como guía, alinear y adjuntar los paneles laterales posteriores (U) al marco del delantal con los pernos de cabeza de arandela provistos (FF).

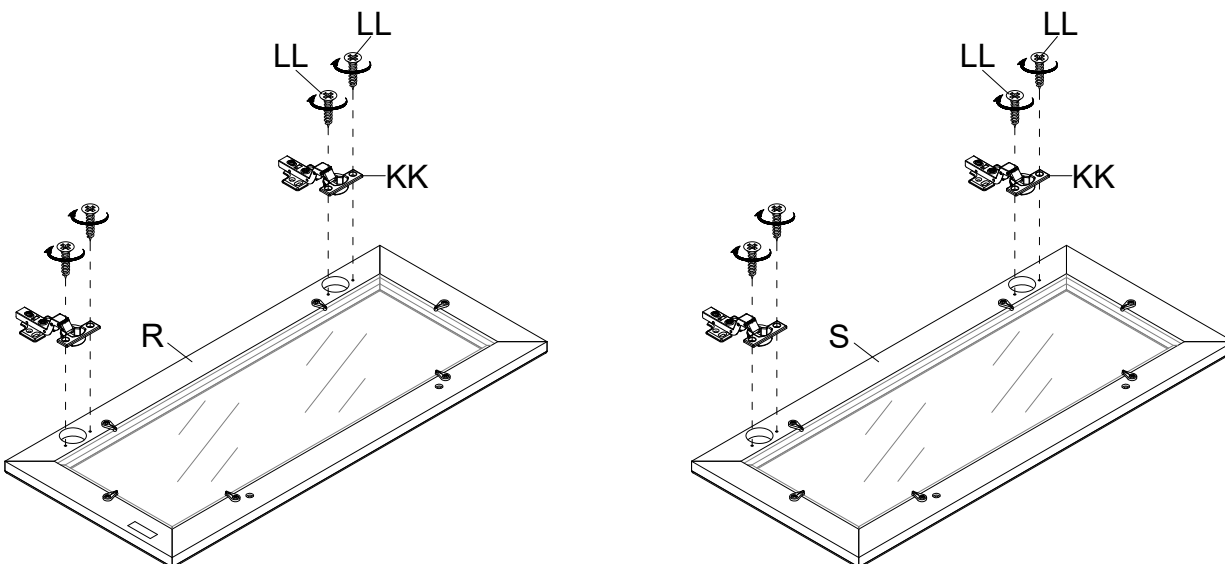


NOTA: Recomendamos adjuntar el panel posterior con pernos en las esquinas primero.



14 Instalando las bisagras de puertas

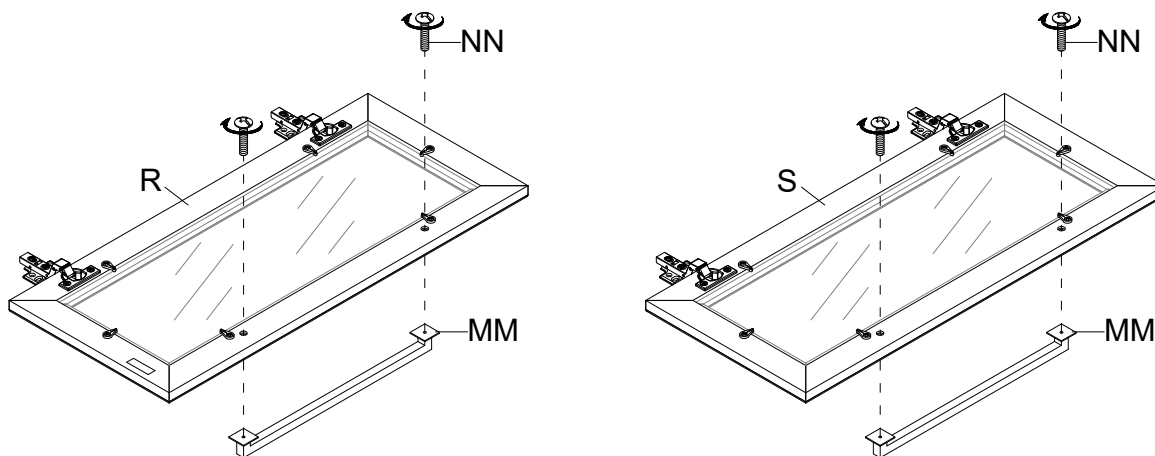
- Extender 2 bisagras de puerta (KK) y descansar las copas de bisagra sobre los recortes de cada puerta (R y S). Asegurar las bisagras de puertas (KK) en su lugar usando 2 pernos (LL) en cada bisagra.



Ensamble (continuación)

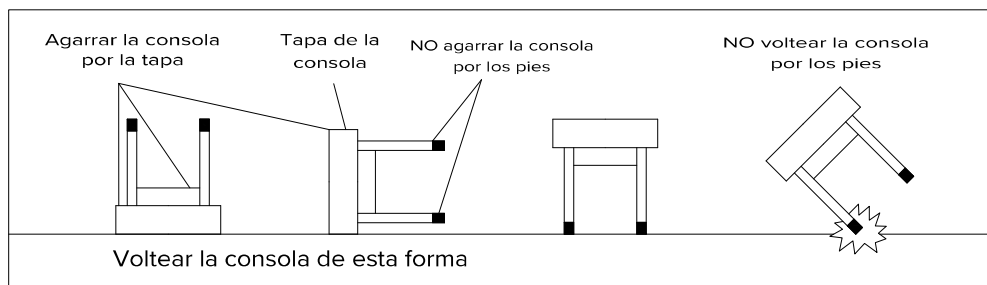
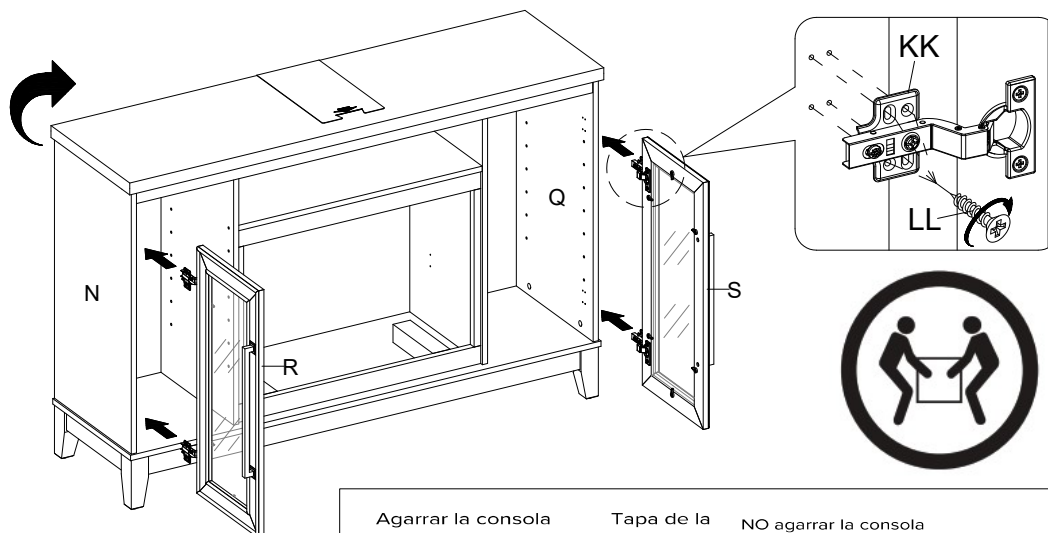
15 Instalando las manijas para puertas

- Adjuntar una manija (MM) al lado frontal de cada puerta (R y S) con 2 pernos para manija (NN).



16 Adjuntando los paneles puerta

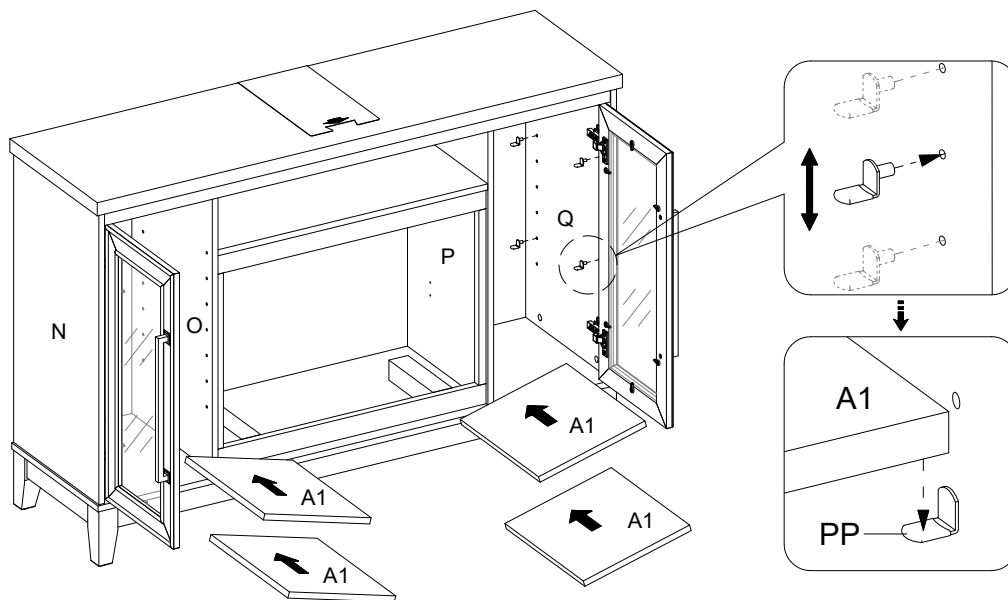
- Pedir por asistencia para poner la unidad ensamblada en posición vertical y cerca de la posición final.
- Tomar la puerta izquierda (R) y sujetar las bases de bisagra sobre el panel izquierdo (N) con 4 pernos (LL) en cada una, usando los agujeros pilotos como guía.
- Repetir el mismo proceso con la puerta derecha (S).
- Abrir y cerrar las puertas para asegurar de que estén alineadas y se cierren correctamente. Si fuera necesario, ajustar los pernos para un buen ajuste. Referirse a la etiqueta de la bisagra en el marco de la puerta para ajustar.



Ensamble (continuación)

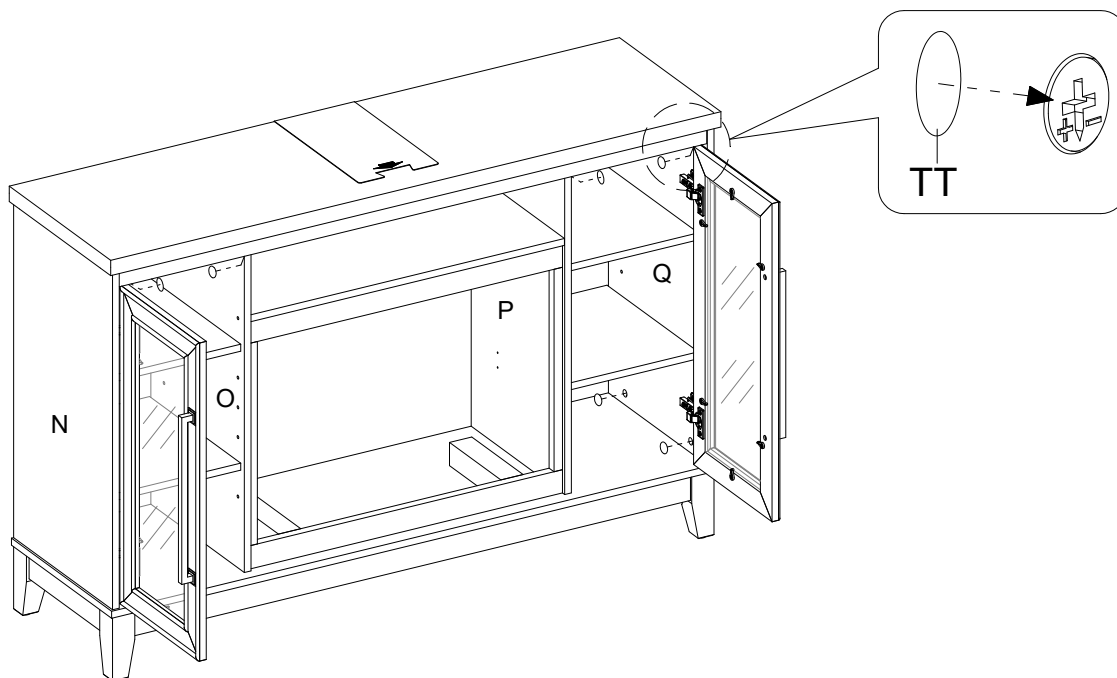
17 Adjuntando las repisas ajustables

- Abrir las puertas e insertar 8 soportes para repisa (PP) en los agujeros a la altura deseada dentro de cada compartimiento lateral. Asegurar de poner 4 soportes para repisa en el mismo nivel para hacer un nivel de repisa.
- Inclinarse y descansar las repisas ajustables (A1) sobre los soportes para repisa (PP).



18 Fijando las cubiertas de papel

- Pegar las cubiertas de papel (TT) sobre las tuercas de fijación visibles para esconder.



19 Adjuntando los brazos verticales

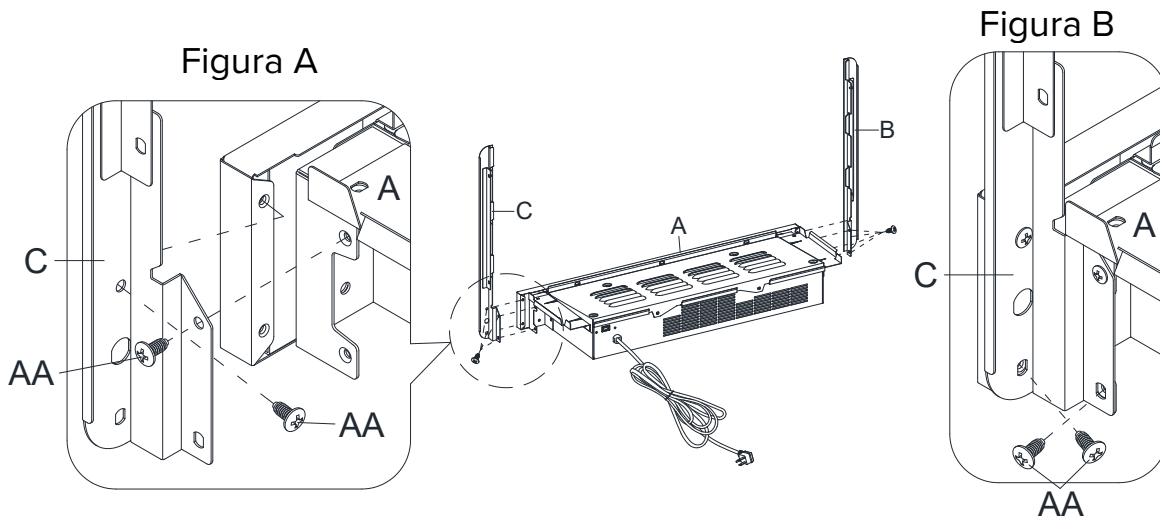


IMPORTANTE NOTA: Usar el desarmador manual, no usar un taladro para ensamblar el inserto de chimenea. Vea BILT para instrucciones por medio de un video.

- Vea la figura A: Sujetar 2 pernos superiores (AA) a través del brazo vertical (C) hacia el calentón (A) hasta apretar.
- Vea la figura B: Sujetar 2 pernos inferiores (AA) en el brazo vertical (C) hasta apretar.
- Apriete completamente los 4 pernos inferiores (AA) por última vez.
- Repetir el mismo procedimiento con brazos verticales (B).



ADVERTENCIA: No levante ni transporte el calentón usando los brazos verticales.

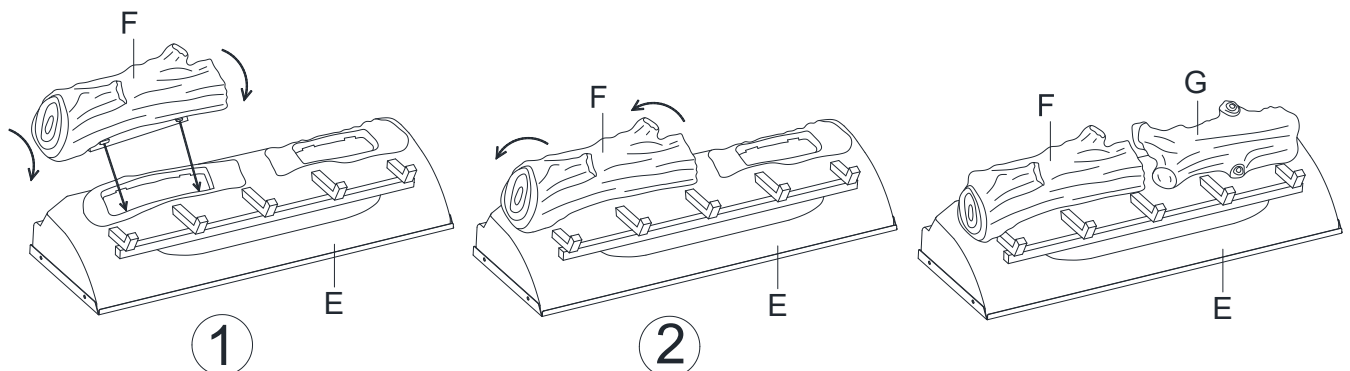


20 Adjuntando los troncos al lecho de brasas



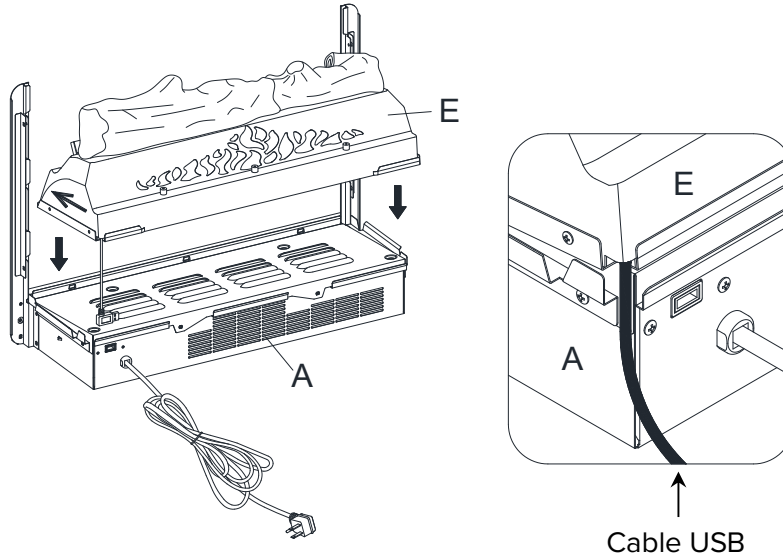
IMPORTANTE: Seguir cuidadosamente los 2 pasos de abajo para insertar cada tronco.

1. Instalar el tronco izquierdo (F) en el agujero izquierdo del lecho de brasas (E) insertando el borde frontal de la base del tronco en las ranuras frontales del agujero del lecho de brasas.
 2. Inclinarse hacia atrás para insertar el borde posterior de la base del tronco en las ranuras posteriores del agujero del lecho de brasas (presionar hacia abajo el tronco para trabar en su posición).
- Repetir el proceso de arriba para el tronco derecho (G).



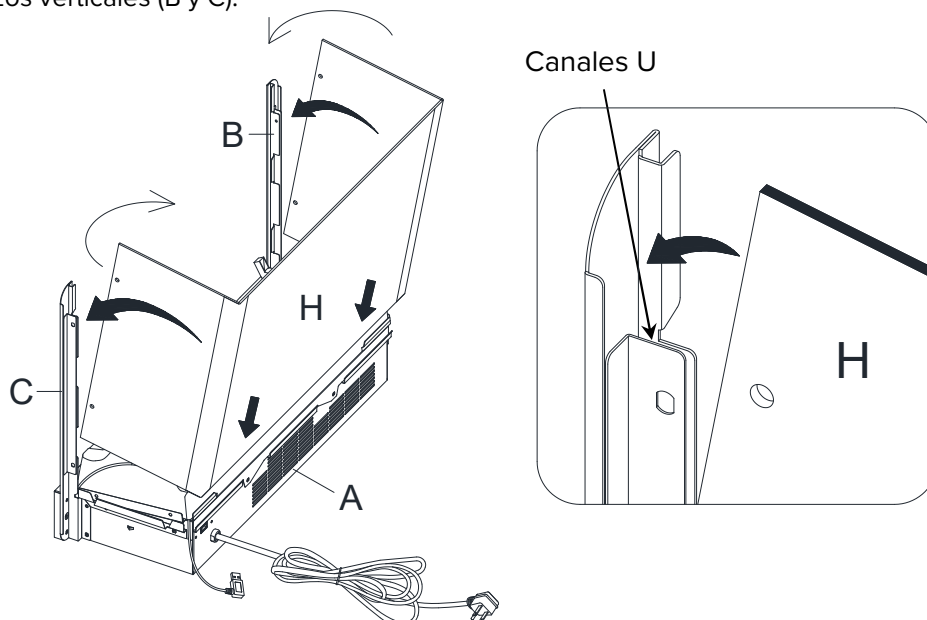
21 Posicionando el lecho de brasas

- Poner el lecho de brasas (E) sobre el calentón (A) como se muestra.
- Empujar el lecho de brasas hacia adelante contra la pestaña frontal del calentón.
- Posicionar el cable USB como se muestra abajo.



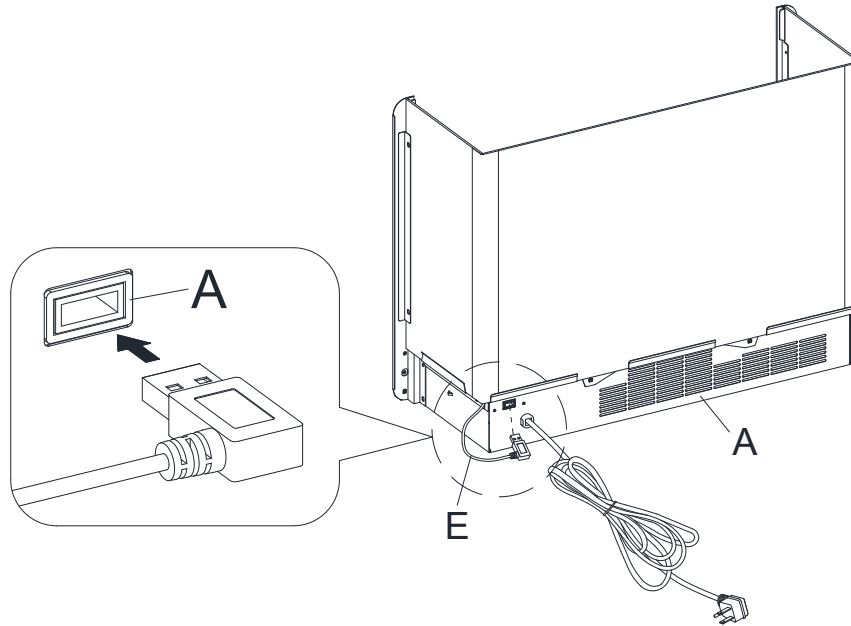
22 Adjuntando el panel pared

- Doblar el panel pared (H) como se muestra. Luego póngase usted en la parte posterior del calentón (A).
- Mantener el panel pared (H) en el ángulo mostrado abajo e insertar el borde inferior posterior en los espacios de metal en la parte posterior del calentón (A).
- Inclinar el panel pared (H) hacia adelante hasta que la esquina inferior entre en los canales U inferiores en ambos brazos verticales (B y C).
- Continúe inclinando el panel pared (H) hacia adelante hasta que la esquina superior entre en los canales U superiores en ambos brazos verticales (B y C).



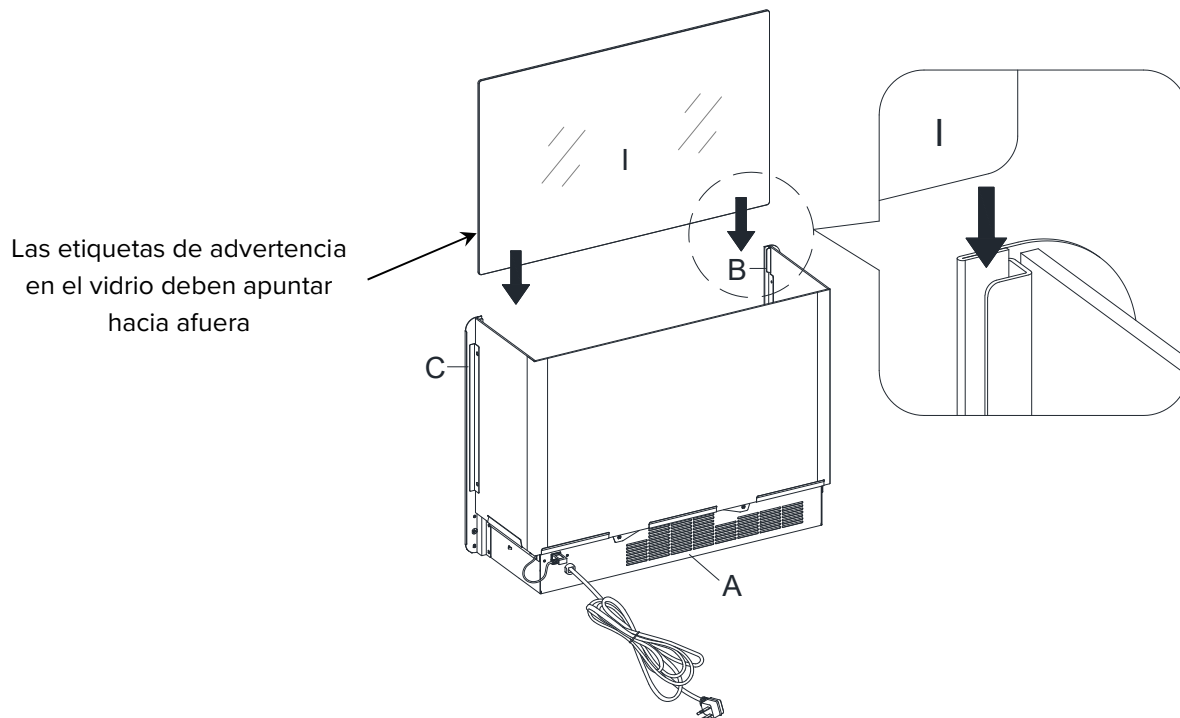
23 Conectando el cable del lecho de brasas al calentón

- Enchufar completamente el conector USB al lecho de brasas (E) en el puerto posterior del calentón (A).



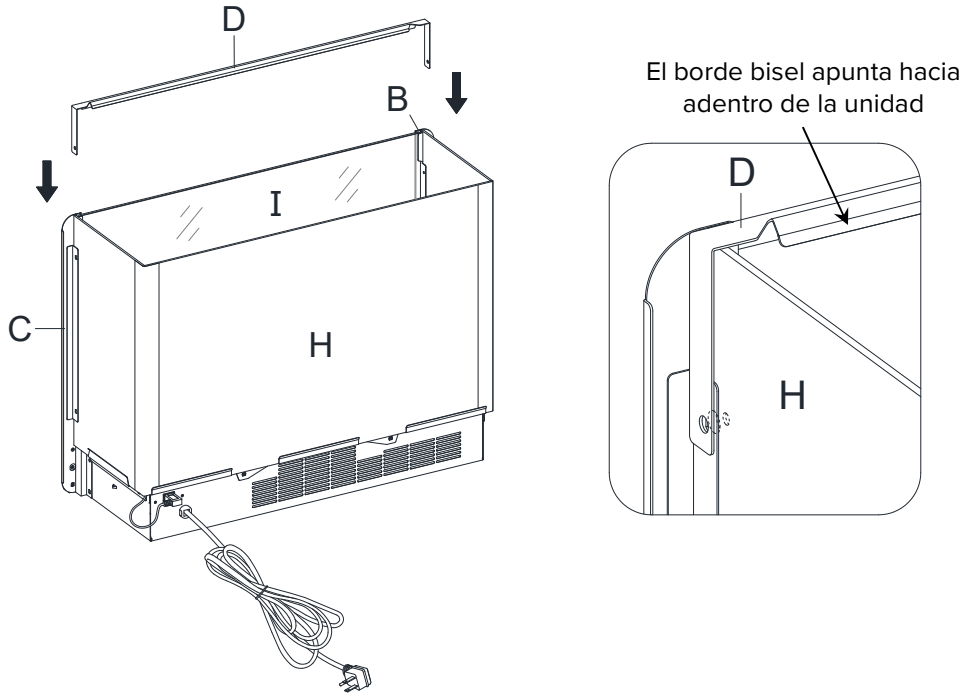
24 Insertando el vidrio

- Deslizar el vidrio (I) en los canales U internos en ambos brazos verticales (B y C) hasta que el vidrio esté sobre el calentón (A). Si es necesario, empuje la parte superior de los brazos verticales hacia adentro o hacia afuera para acomodar el vidrio. Asegurar que la parte superior del vidrio (I) esté nivelada con la parte superior de ambos brazos verticales (B y C).



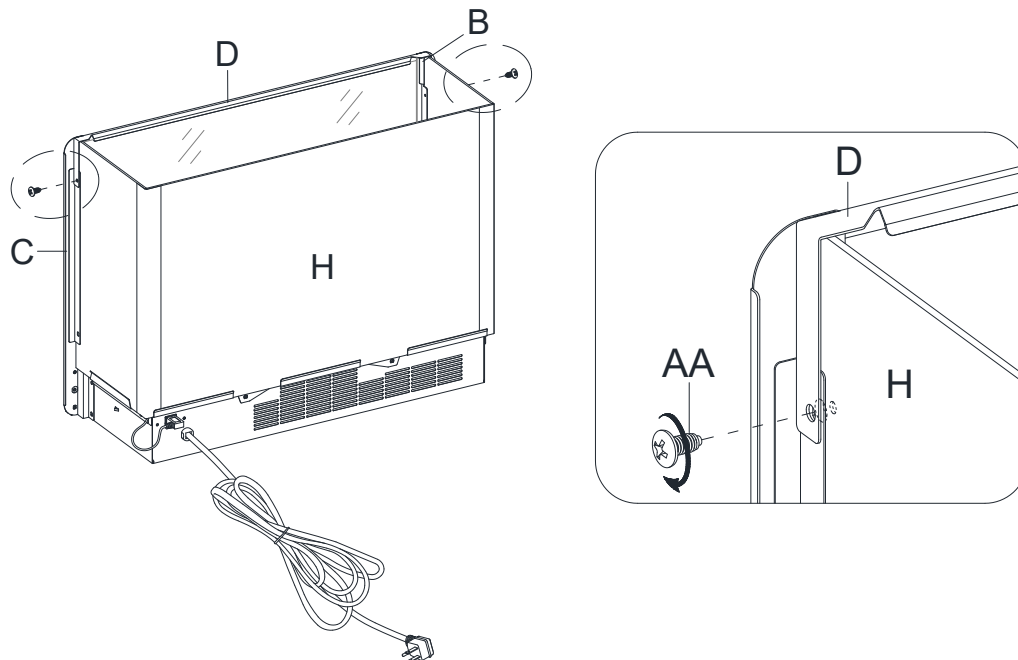
25 Posicionando la correa de conexión

- Posicionar la correa de conexión superior (D) sobre el vidrio (I) y brazos verticales (B y C). Seguir la orientación mostrada abajo.



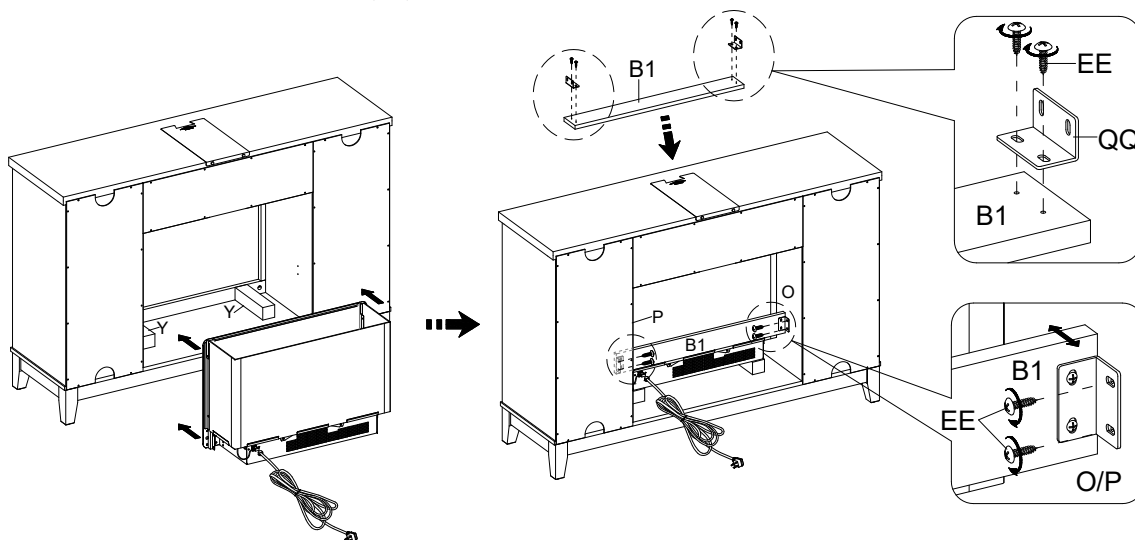
26 Adjuntando la correa conector

- Sujetar la correa conector (D) a ambos brazos verticales (B y C) usando 2 pernos (AA) como se muestra abajo. Los agujeros deben estar alineados para que pase el perno a través de.



27 Instalando el inserto de chimenea

- Levantar el inserto de chimenea en la parte posterior del delantal ensamblado y centrar en la abertura.
- Usando los agujeros pilotos como guía, sujetar 2 soportes L (QQ) sobre el soporte de la caja de fuego (B1) con 4 pernos de cabeza redonda (EE). Asegurar de que el lado de ángulo recto del soporte de metal este nivelado con el borde corto del soporte de la caja de fuego (B1).
- Usando los agujeros pilotos como guía, sujetar el soporte de la caja de chimenea (B1) entre los paneles divisores (O y P) con 4 pernos de cabeza redonda (EE).



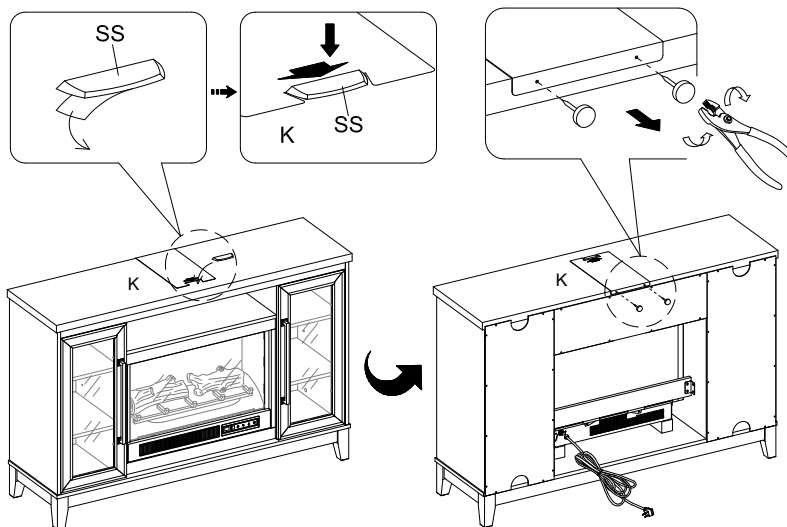
28 Instalando el tope de acrílico

- Retirar el respaldo de papel del tope de acrílico (SS), luego alinear apropiadamente el tope de acrílico en el recorte en el temple del tope de acrílico en la parte frontal del panel superior (K). Presionar el tope de acrílico para ayudar a la adhesión.



NOTA: Para prevenir que caiga su TV, usted debe instalar el tope de TV de acrílico si poner su televisión de pantalla plana en el panel superior. De otra manera, vaya al siguiente paso.

- En la parte posterior del panel superior (K), tomar las cabezas de las tachuelas de plástico con pinzas, con un movimiento giratorio jalar las tachuelas para sacar y retirar el templado del tope de acrílico.



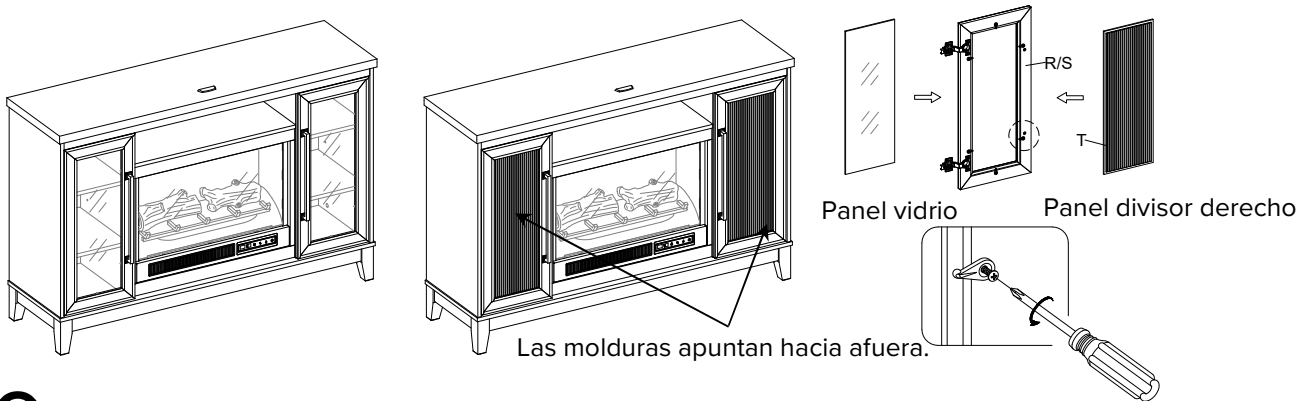
Ensamble (continuación)

29 Intercambiando los insertos para puerta

- Para cambiar los paneles puerta, aflojar los pernos en la parte interior de la puerta y rotar los clips para retirar el panel. Reemplazar con el panel deseado, luego rotar los clips para asegurar el panel dentro del marco de la puerta y apretar los pernos.



NOTA: Los paneles puerta de vidrio están pre-adjuntados para el envío. Usted puede mantenerlo como esta o intercambiar por la configuración deseada.

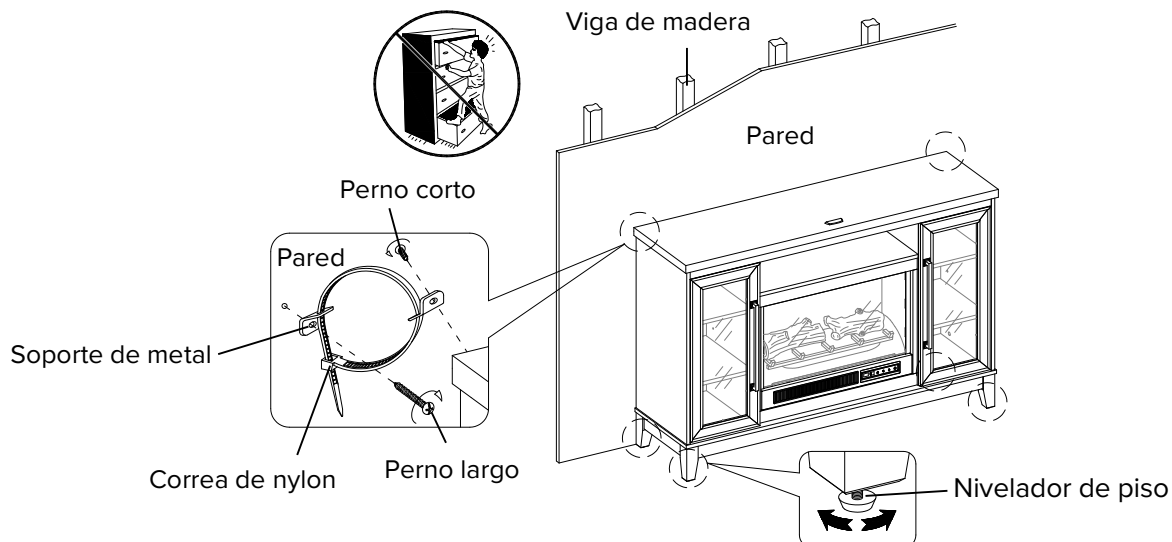


30 Instalando el juego de restricción de movimiento



ADVERTENCIA: Niños pequeños pueden resultar lastimados por muebles inclinados. Debe instalar el juego de restricción de movimiento con la unidad en función, para prevenir la inclinación de la unidad, causando cualquier accidente o daño. El tope de movimiento es solo un impedimento, no hay sustituto para la supervisión adulta. El tope de movimiento no es contra terremoto. Si desea añadir la seguridad extra contra terremotos, deben ser comprados e instalados separadamente.

- Con asistencia, posicionar la chimenea en el lugar deseado contra la pared. Si fuera necesario, ajustar manualmente los niveladores de piso pre-adjuntados para corregir inclinación y nivelar las puertas, hasta que la unidad esté nivelada.
- Seguir las instrucciones impresas en la bolsa de plástico que contiene el juego de restricción de movimiento para adjuntar los toques de movimiento a la unidad y a la pared.
- Conectar la chimenea al transformador de poder. Seguir el manual de operación para el inserto de chimenea eléctrica para controlar su chimenea.



Cuidado y mantenimiento

Un plumón es provisto para en caso de pequeños golpes o rayaduras que puedan ocurrir durante el ensamble o envío. Para limpiar y cuidar su mueble:

- Use una toalla suave y limpia que no rayara la superficie al limpiar.
- Uso de cera para pulir muebles no es necesario. Si desea usar cera, pruébela en un área que no sea visible.
- Usar solventes de cualquier tipo puede dañar el acabado del mueble.
- Nunca use agua para limpiar la unidad, ya que le puede dañar el acabado.
- Siempre utilice protección para vasos y floreros cuando los ponga sobre la unidad.
- Líquidos derramados deben limpiarse inmediatamente, con una toalla suave evitando tallar.
- Siempre utilizar protectores en caso de poner cosas calientes. El calor puede provocar una reacción química en el acabado y dañarlo.
- En caso que su unidad sea manchada o dañada de otra forma durante el uso, le recomendamos hablar a un profesional para que le ayude.
- Revisar los pernos periódicamente y apretar en caso necesario.

CUIDANDO SU MUEBLE DE MADERA

Es mejor mantener la unidad en un área de clima controlado. Temperatura extrema y cambios de humedad pueden causar cambios como partes pandas, molduras que se contraigan o que la madera se raje. Es recomendable mantener la unidad lejos del sol directo ya que puede dañar el acabado.

Cuidados adecuados y limpieza pueden extender la vida útil de su unidad. Siga estas recomendaciones y mantendrá su mueble en buenas condiciones de uso por muchos años.

LIMPIANDO EL BORDE DE LA CHIMENEA

Limpiar el borde de metal usando una toalla suave, ligeramente mojado con productos basado en aceite cítrico y pulir con una toalla limpia suave. NO use cera para latón o limpiadores de casa ya que estos productos dañaran el borde de metal. Productos basados en aceite cítrico se pueden obtener en el supermercado o en tiendas de ferretería.



ADVERTENCIA

- La unidad debe ser puesta en una superficie nivelada o nivelada con la ferretería incluida (cuando aplique).
- No sentarse o pararse o permita que niño se suban, sienten o paren en el producto ensamblado.
- Por razones de seguridad, es esencial que la unidad este montada a la pared o piso.
- La unidad se puede caer causando lesiones graves o la muerte.
- Nunca abrir más de un cajón a la vez.
- No exceder los límites de peso recomendados.
- Antes de cortar, perforar o martillar a cualquier superficie de la pared o del piso, verificar la posición de líneas eléctricas, tuberías, o líneas de gas. El cortar puede causar lesiones graves.

SCOTT  LIVING™

BY DREW & JONATHAN



No estamos contentos a menos que usted esté contento, por lo que ofrecemos una Garantía de 30 días Love It. Si por alguna razón no le gusta su producto Scott Living, puede devolverlo a su lugar de compra dentro de los 30 días siguientes a la fecha de su recibo para un reembolso completo sin preguntas.

LA POLÍTICA DE DEVOLUCIONES DE LOS ARTÍCULOS PERSONALIZADOS VARÍA. POR FAVOR, CONSULTE CON SU DISTRIBUIDOR PARA MÁS DETALLES.

¿Preguntas, problemas, partes que falten? Antes de regresar a la tienda,
llame al servicio al cliente

1-866-942-5362

Hora estándar del Pacífico: 8:30 a.m. - 4:30 p.m., de Lunes a Viernes

O visite nuestra página de Internet 24 horas al día, 7 días a la semana para asistencia

www.whalenfurniture.com

O mande un correo electrónico a **parts@whalenfurniture.com**

Guarde este manual para uso futuro.