

SCOTT  LIVING™

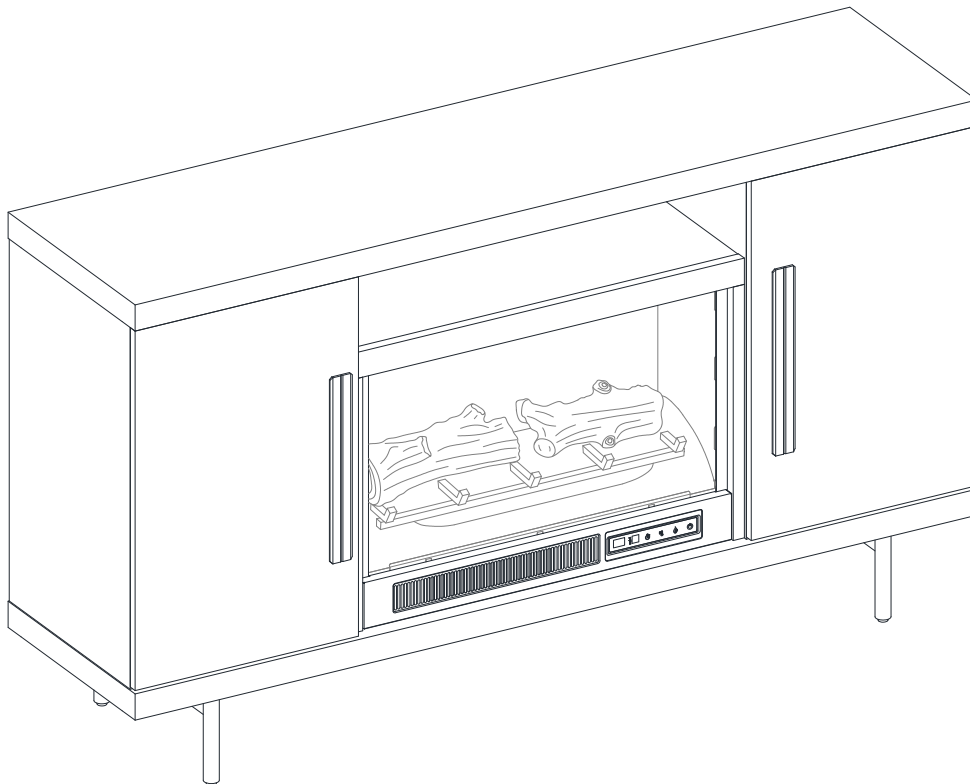
BY DREW & JONATHAN

OMSID #320643189
#320643190

Model #HDSLFP60L-3A
#HDSLFP60L-3B

ASSEMBLY INSTRUCTIONS

CESTONI 60in INFRARED MEDIA ELECTRIC FIREPLACE



Questions, problems, missing parts? Before returning to the store,
call Customer Service

1-866-942-5362

Pacific Standard Time: 8:30 a.m. - 4:30 p.m., Monday - Friday

Or visit our web site 24 hours a day, 7 days a week for product assistance at

www.whalenfurniture.com

Or e-mail your request to **parts@whalenfurniture.com**

THANK YOU

We appreciate the trust and confidence you have placed in Scott Living by Drew & Jonathan through the purchase of this electric fireplace/heater. We strive to continually create quality products designed to enhance your home. Visit us online to see our full line of products available for your home improvement needs.

Thank you for choosing Scott Living by Drew & Jonathan!

Table of Contents


Table of Contents 2
Safety Information 2
 Maximum Recommended Weight Loads 2
Warranty 2
Pre-Assembly 2
 Planning Assembly 2
 Tools required 2

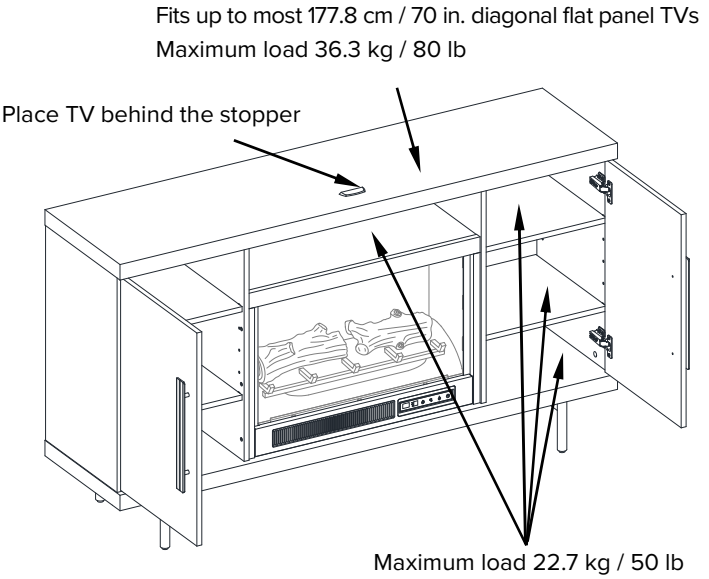
Hardware Included 3
Package Contents 4
Assembly 5
Care and Maintenance 19
 Caring for Wood Furniture 19
 Cleaning the Fireplace Trim 19

Safety Information

Please read and understand these instructions before assembling and using this console. Save these instructions for future reference.

MAXIMUM RECOMMENDED WEIGHT LOADS

 **WARNING:** This unit is not intended for use with CRT TVs. Use only with flat panel TVs and audio/video equipment meeting recommended size and weight limits. Never use with larger/heavier than recommended flat panel TVs or equipment. To avoid instability, place flat panel TV in the centre of the unit; the base of the television must be able to rest on the supporting surface of the unit without over-hanging the edges. Improperly positioned flat panel TVs, or flat panel TVs or other equipment that exceed recommended size and weight limits could fall off or break the unit, causing possible serious injury.



Warranty

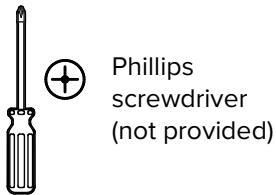
We are confident that you will be delighted with this purchase. Should this product be defective in workmanship or materials, or fail under normal use, we will repair or replace it for a period of up to one (1) year from date of purchase. This warranty gives you specific rights and you may also have other rights which vary from state to state. Contact the Customer Service Team at 1-866-942-5362 or visit www.whalenfurniture.com.

Pre-Assembly

PLANNING ASSEMBLY

Compare all parts with the Hardware Included and Package Contents list. If any part appears missing or damaged, do not assemble this product and contact the Customer Service Team at 1-866-942-5362.

TOOLS REQUIRED

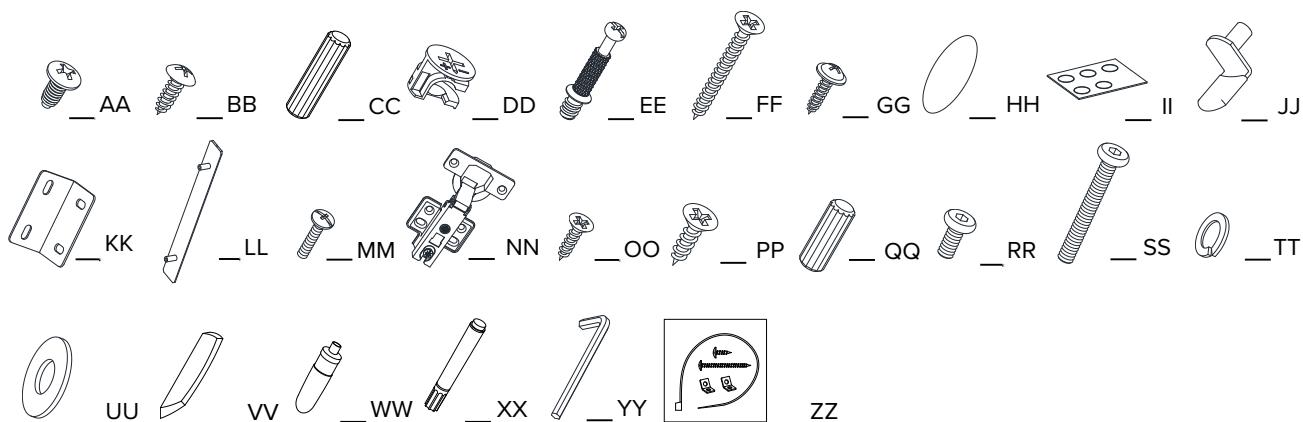


Pre-Assembly (continued)

HARDWARE INCLUDED



NOTE: Hardware not shown to actual size.

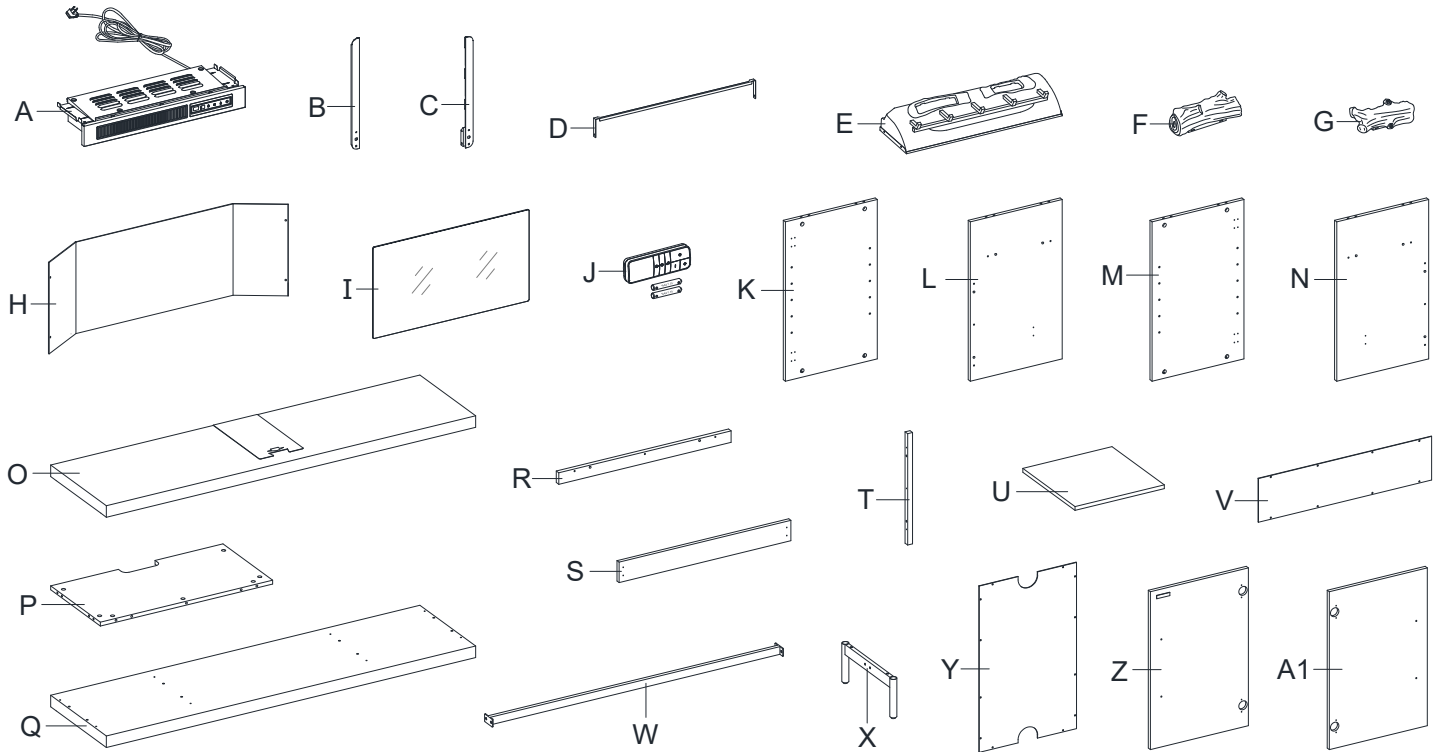


Part	Description	Quantity
AA	Insert screw	10+1 extra
BB	Pan head screw	8+1 extra
CC	Long wood dowel	22+1 extra
DD	Cam lock	19+1 extra
EE	Cam bolt	19+1 extra
FF	Long flat head screw	4+1 extra
GG	Washer head screw	32+1 extra
HH	Paper sticker	19+1 extra
II	Rubber bumper	4+1 extra
JJ	Shelf Support	16+1 extra
KK	L-shaped bracket	2
LL	Handle	2
MM	Handle bolt	4
NN	Hinge	4

Part	Description	Quantity
OO	Nickel screw for hinge	24+1 extra
PP	Short flat head screw	6+1 extra
QQ	Short wood dowel	4+1 extra
RR	Short bolt	4+1 extra
SS	Long bolt	4+1 extra
TT	Lock washer	8+1 extra
UU	Flat washer	8+1 extra
VV	Acrylic stopper	1
WW	Glue	1
XX	Touch-up pen (Not include for HDSLFP60L-3B)	1
YY	Hex Wrench	1
ZZ	Tipping restraint hardware kit	2

Pre-Assembly (continued)

PACKAGE CONTENTS



Part	Description	Quantity
A	Heater	1
B	Left upright arm	1
C	Right upright arm	1
D	Connector strap	1
E	Ember bed	1
F	Left log	1
G	Right log	1
H	Firebox wall panel	1
I	Firebox glass	1
J	Remote control with battery	1
K	Left side panel	1
L	Left partition panel	1
M	Right side panel	1
N	Right partition panel	1

Part	Description	Quantity
O	Top panel	1
P	Media shelf	1
Q	Bottom panel	1
R	Middle crossbar	1
S	Firebox holder	1
T	Middle trim	2
U	Adjustable shelf	4
V	Middle back panel	1
W	Bottom stretcher	1
X	Side leg	2
Y	Side back panel	2
Z	Left door	1
A1	Right door	1

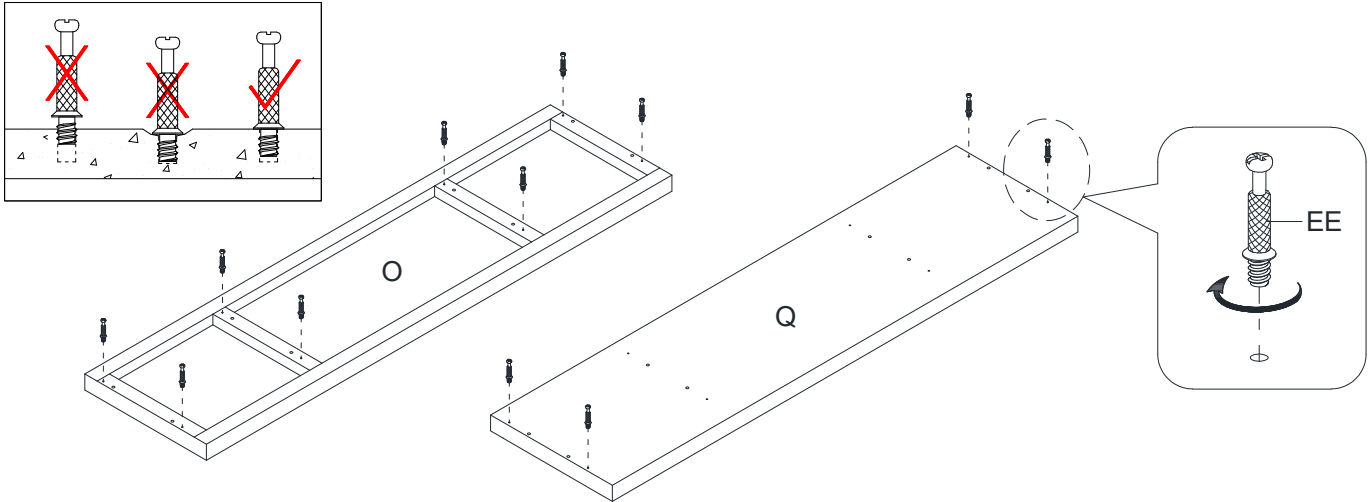
Assembly

1 Preparing top and bottom panels assembly



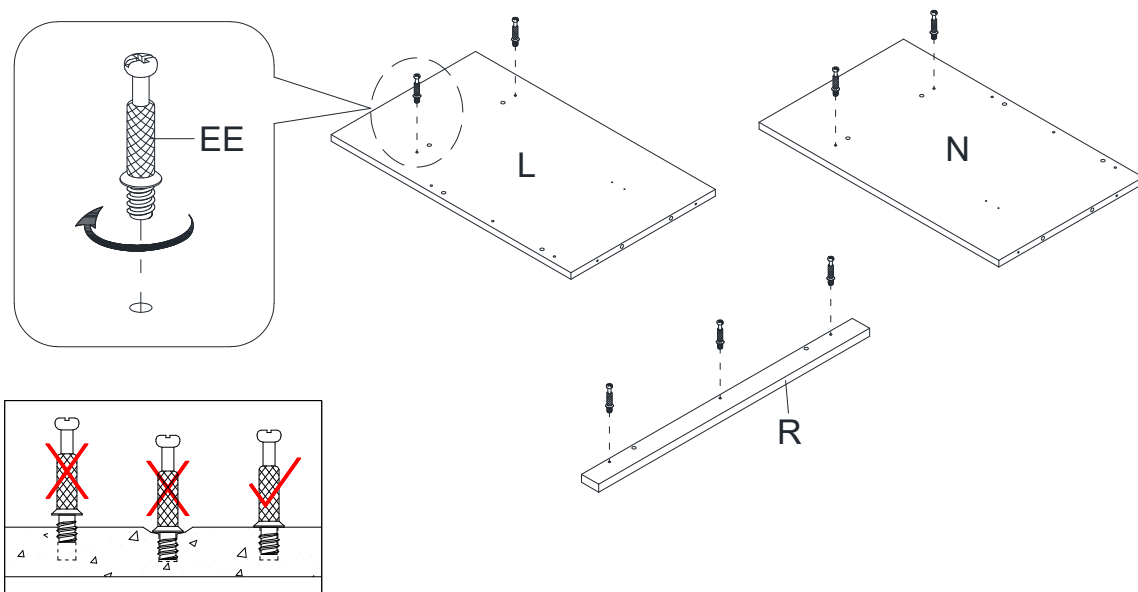
NOTE: Do not fully tighten all bolts until you finish assembling all parts. Once assembled, go back and fully tighten all bolts. This will make the assembly easier.

- Unpack the unit and confirm that you have all the hardware and required parts. Assemble the unit on a carpeted floor or the empty carton to avoid any scratches.
- Securely screw the cam bolts (EE) into the designated small holes on the top panel (O) and the bottom panel (Q) using a Phillips screwdriver.



2 Preparing partitions and middle crossbar assembly

- Securely screw the cam bolts (EE) into the designated small holes on the partition panels (L and N) and middle crossbar (R) using a Phillips screwdriver.



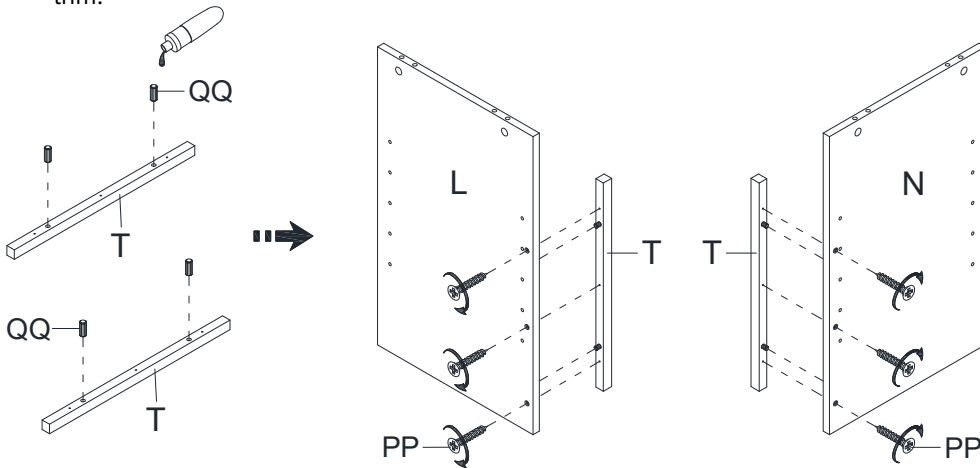
Assembly (continued)

3 Attaching middle trims

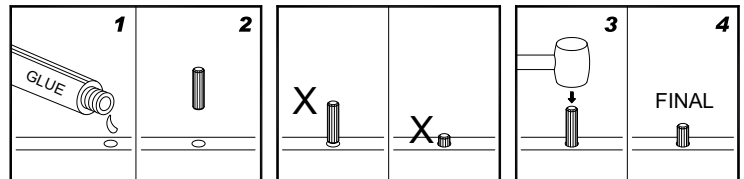


NOTE: Refer to the dowel guide drawings in this step for further clarification on how to properly glue in the wooden dowels. Apply this method whenever instructed to install wood dowels.

- Glue four short wood dowels (QQ) into the designated holes on both middle trims (T). It is very important to use a small amount of glue on both ends of dowels and wipe away the excess glue immediately.
- Attach the middle trims (T) to the partition panels (L and N) respectively with three short flat head screws (PP) per trim.

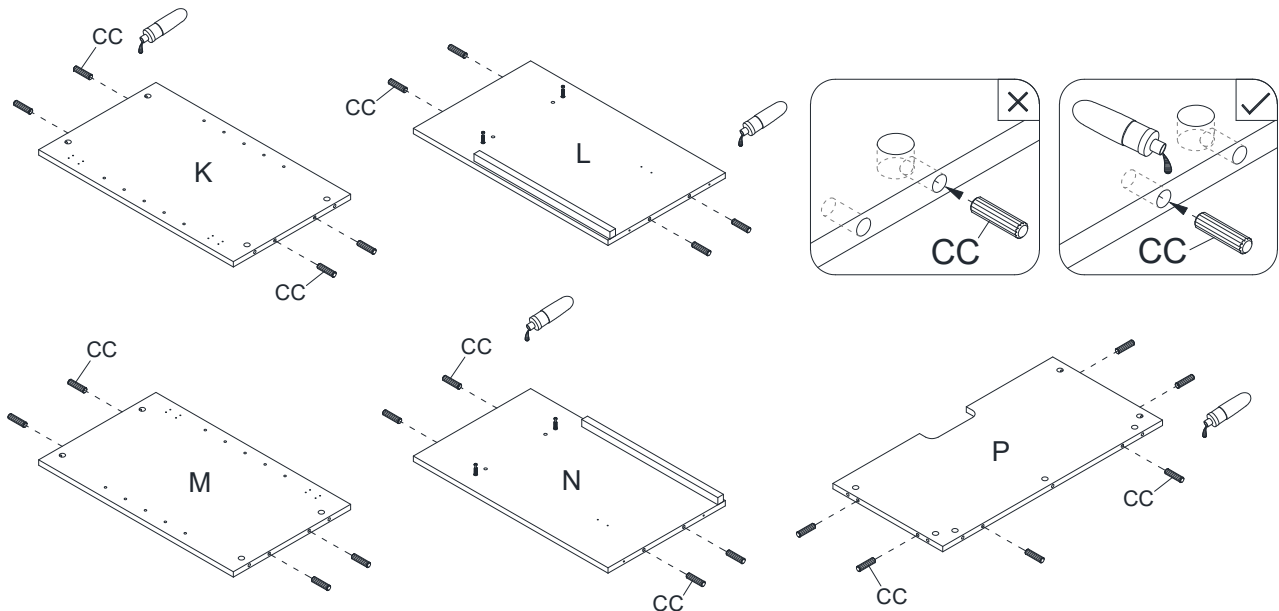


The dowel assembling guide



4 Gluing wood dowels

- Glue the long wood dowels (CC) into the designated holes on the vertical panels (K, L, M and N) and media shelf (P).



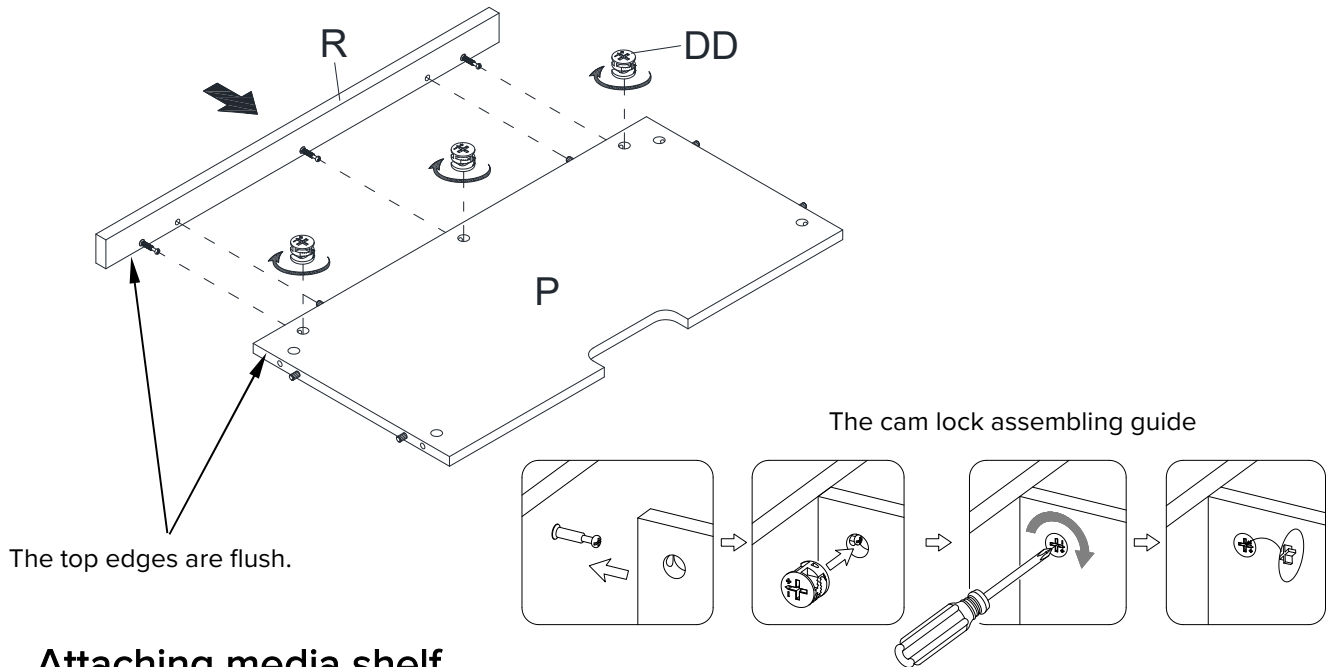
Assembly (continued)

5 Attaching middle crossbar



NOTE: Refer to the cam lock assembling guide drawings in this step for further clarification on how to properly install cam locks. Apply this method whenever instructed to install cam locks.

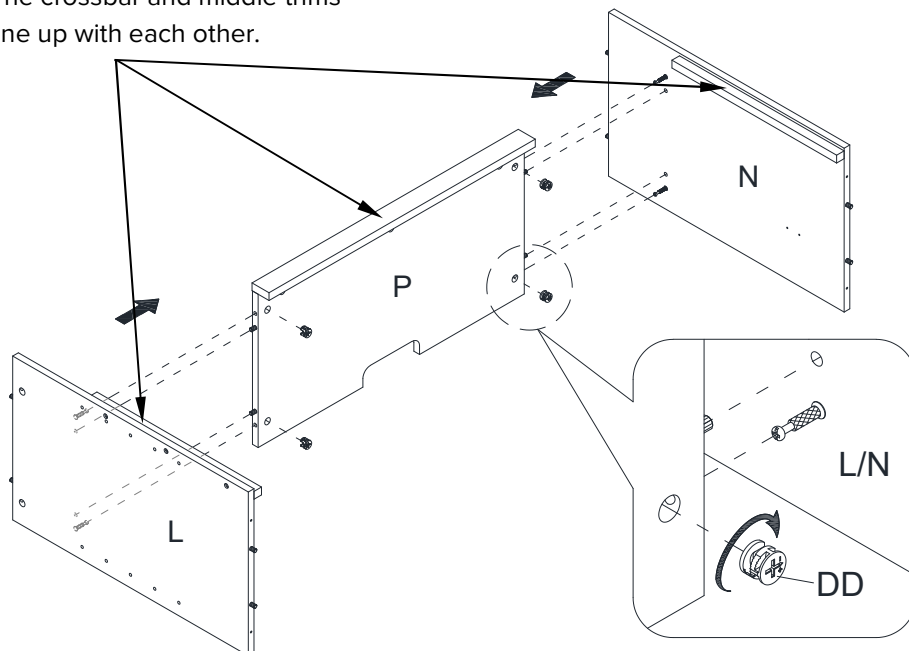
- Align and attach the middle crossbar (R) to the media shelf (P) using three cam locks (DD).



6 Attaching media shelf

- Align and attach the media shelf (P) between the partition panels (L and N) by engaging four cam locks (DD).

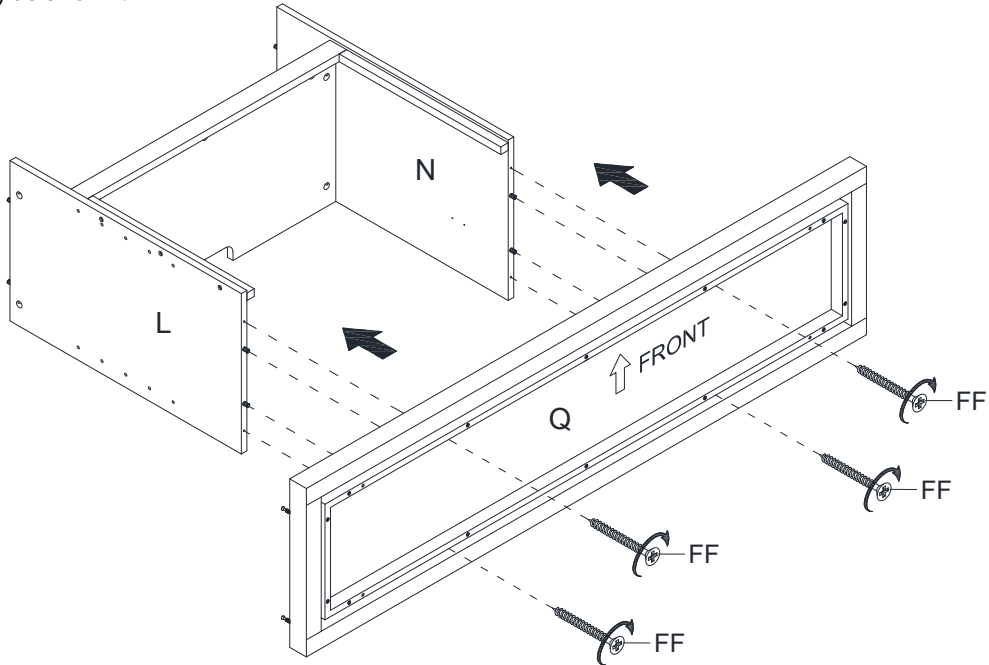
The crossbar and middle trims
line up with each other.



Assembly (continued)

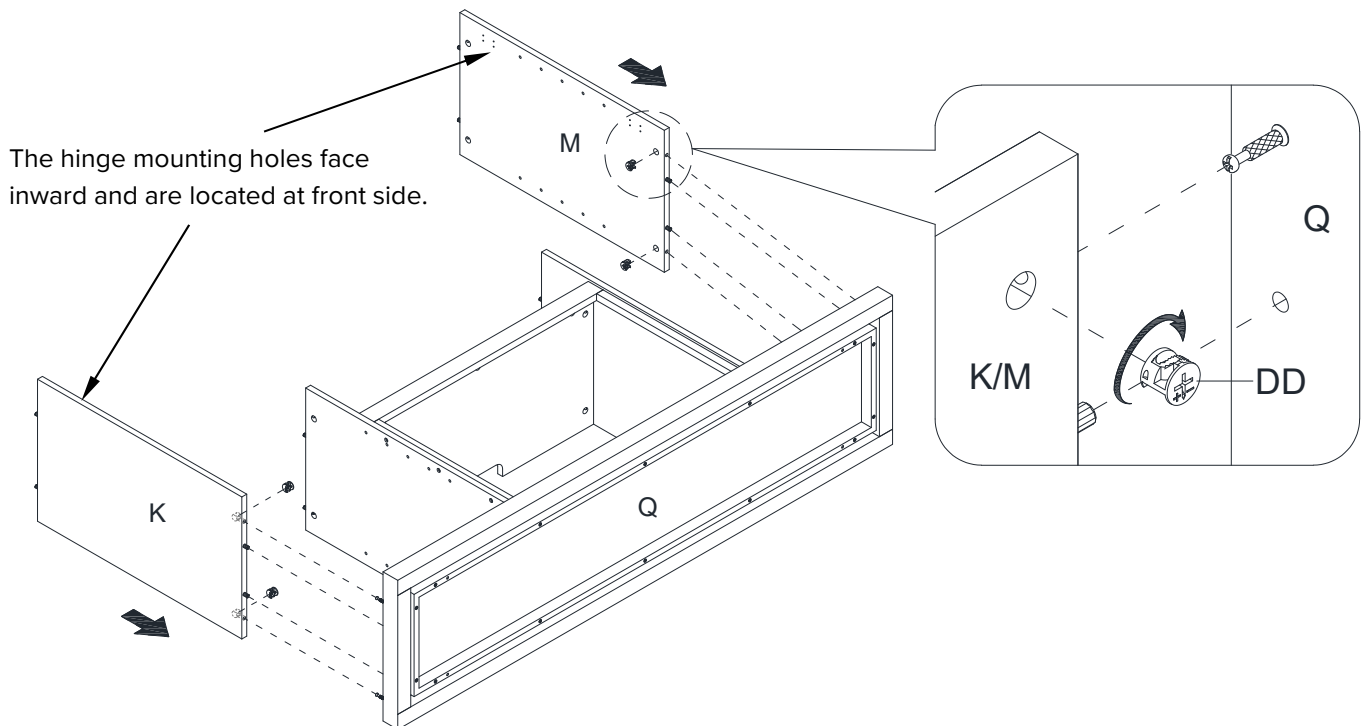
7 Attaching partition panels

- Using the wood dowels as a guide, attach the previous assembly to the bottom panel (Q) with four long flat head screws (FF) as shown.



8 Attaching side panels

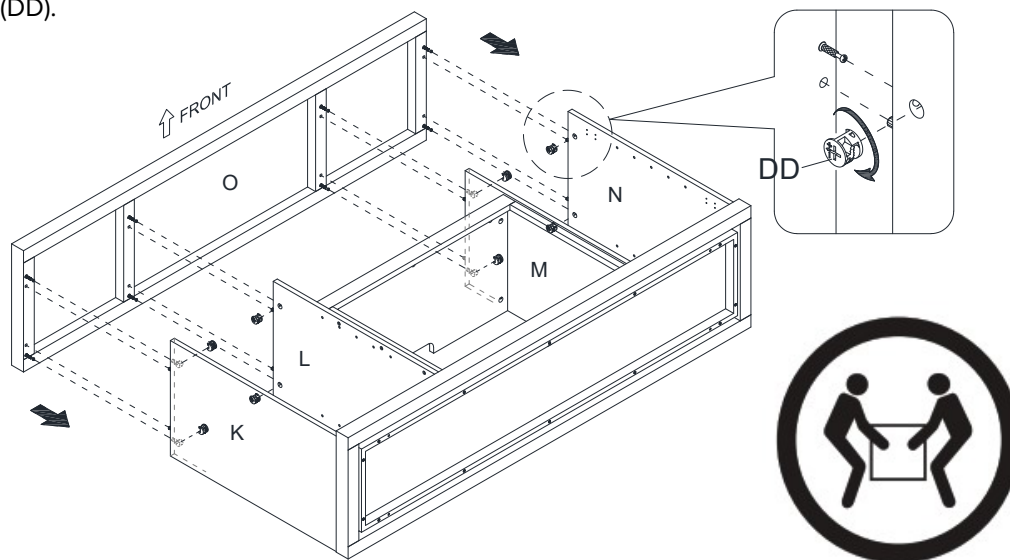
- Orient and attach the side panels (K and M) to the bottom panel (Q) by engaging four cam locks (DD).



Assembly (continued)

9 Attaching top panel

- Ask for assistance to place the top panel (O) onto the upper vertical panels properly and fasten it in place with eight cam locks (DD).

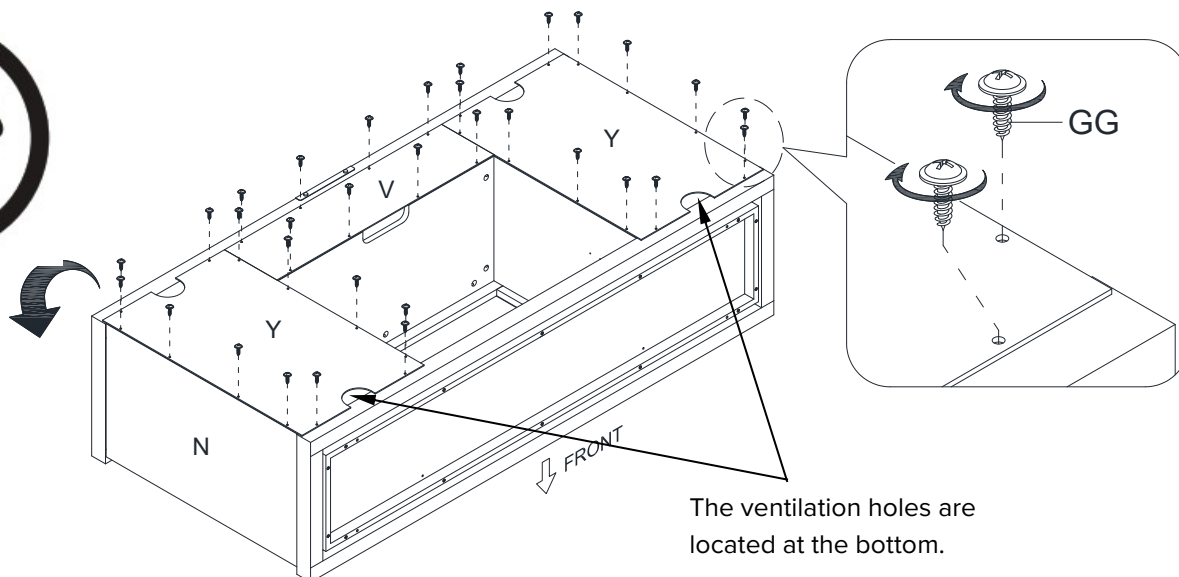


10 Attaching back panels

- Now, go back and securely tighten all the cam locks and screws. Make sure all the parts are tight and there are no gaps between the parts. This will help keep the unit square.
- Ask for assistance to flip around the previous assembly at its front edges.
- Pick up the middle back panel (V) and align the pre-drilled holes against the upper long edge with the pilot holes on the back of the top panel (O). Attach it in place using the provided washer head screws (GG).
- Using the pilot holes as a guide, align and attach both side back panels (Y) to the mantel with the provided washer head screws (GG).



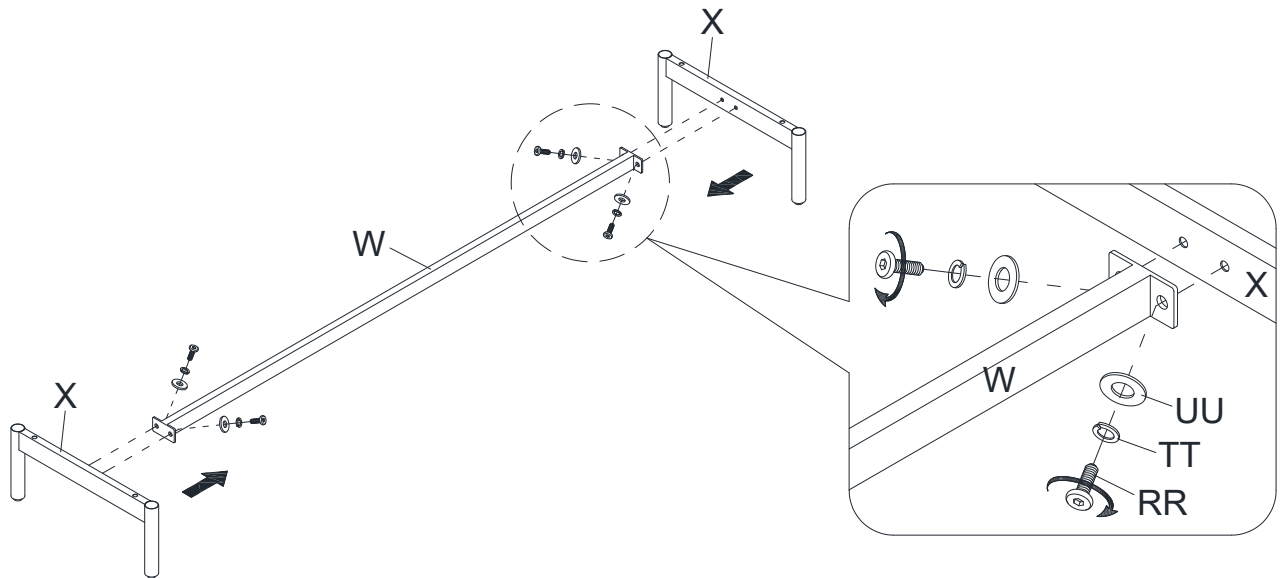
NOTE: We recommend attaching back panel with the screws at the corners first.



Assembly (continued)

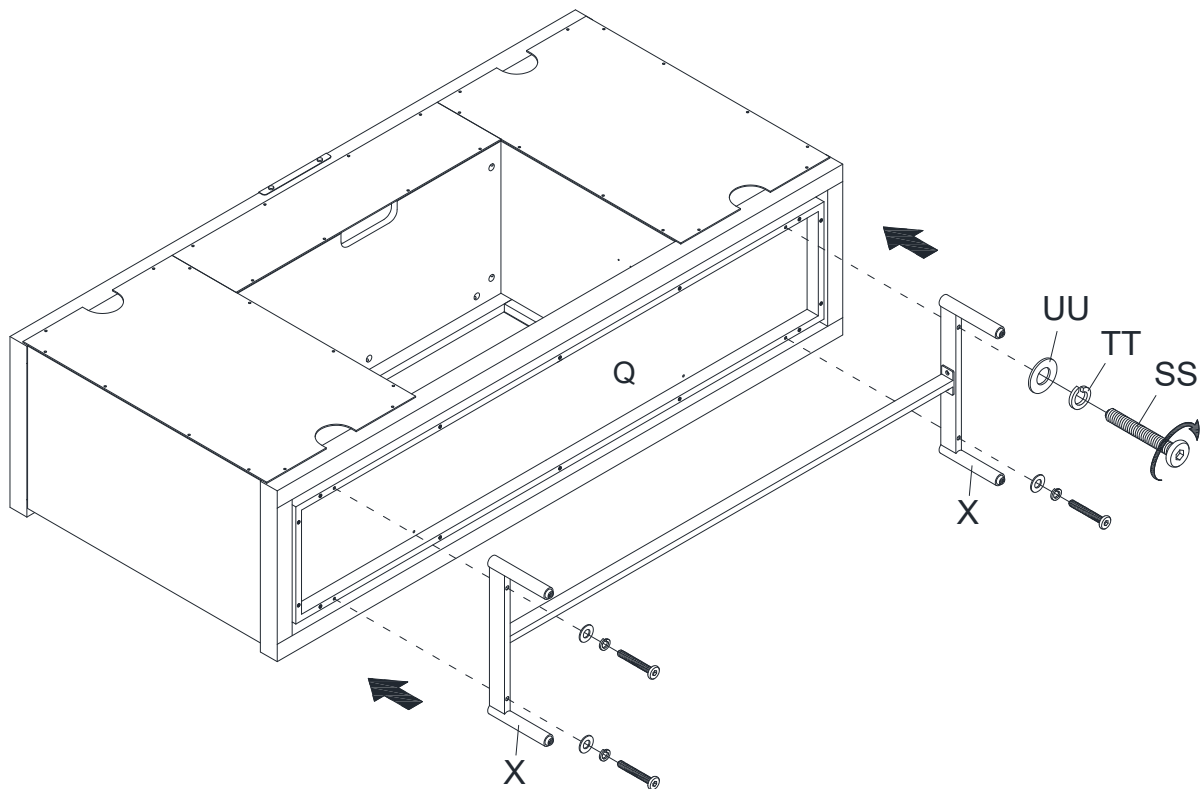
11 Attaching bottom stretcher

- Attach the bottom stretcher (W) between the side legs (X) with four short bolts (RR) and four washers (TT and UU).



12 Installing base

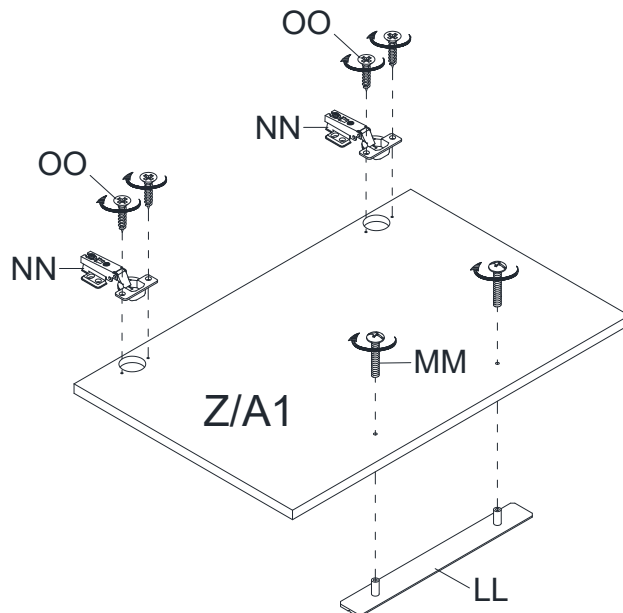
- Align and attach the assembled side legs (X) to the bottom panel (Q) and fasten them in place with four long bolts (SS) and four washers (TT and UU).



Assembly (continued)

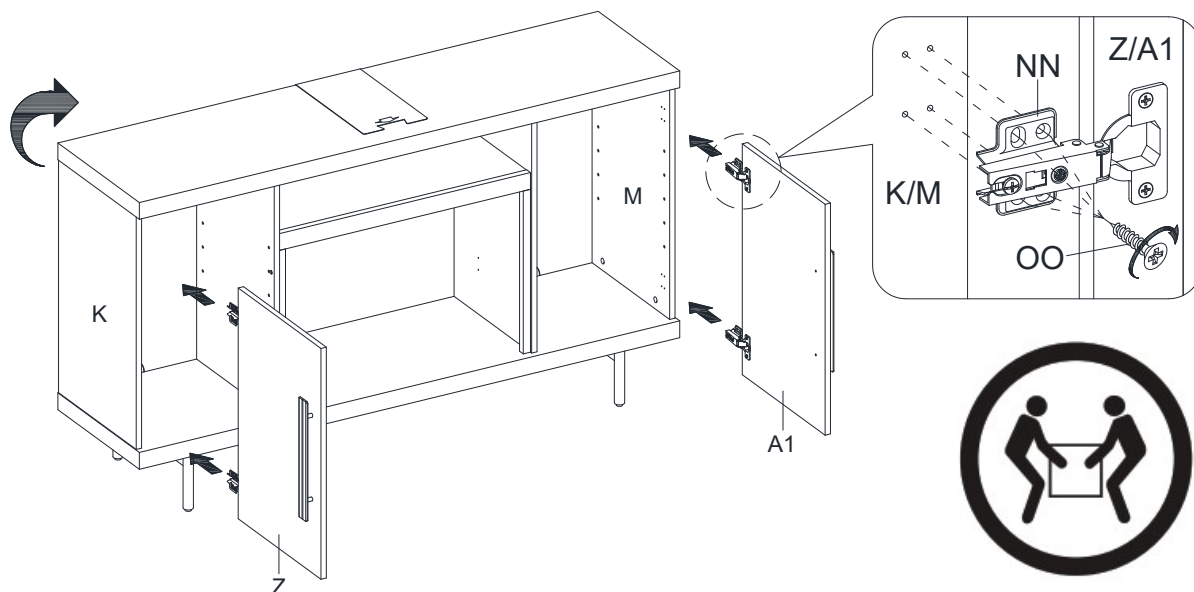
13 Installing door hinges and handles

- Extend two door hinges (NN) and rest the hinge cups onto the cutouts of each door (Z and A1). Secure the door hinges (NN) in place by using two nickel screws (OO) in each.
- Attach one handle (LL) to the front side of each door (Z and A1) with two handle bolts (MM).



14 Attaching door panels

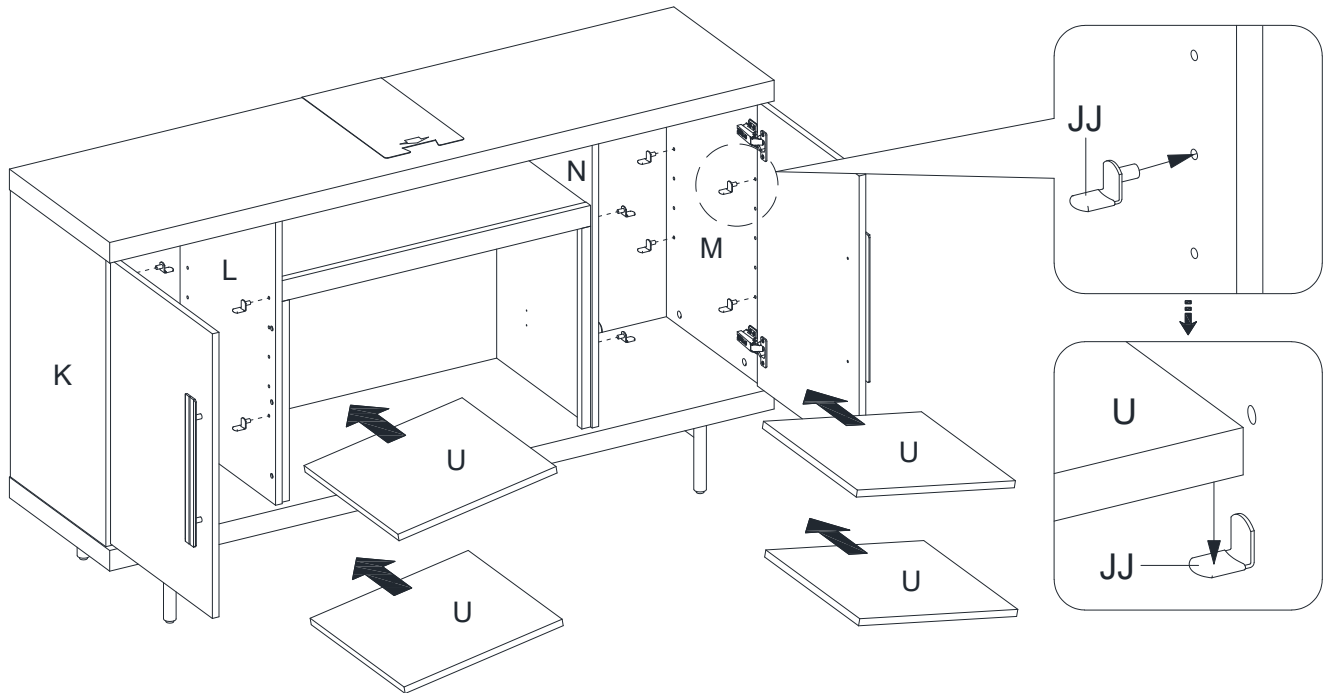
- Ask for assistance to lift the assembled unit upright and position it near the final location.
- Pick up the left door (Z) and fasten the hinge bases onto the left side panel (K) with eight nickel screws (OO), using the pilot holes as a guide.
- Repeat the same process with the right door (A1).
- Open and close the doors to make sure they are aligned and shut correctly. If necessary, adjust the screws for a good fit. Refer to the hinge sticker on door for adjustment.



Assembly (continued)

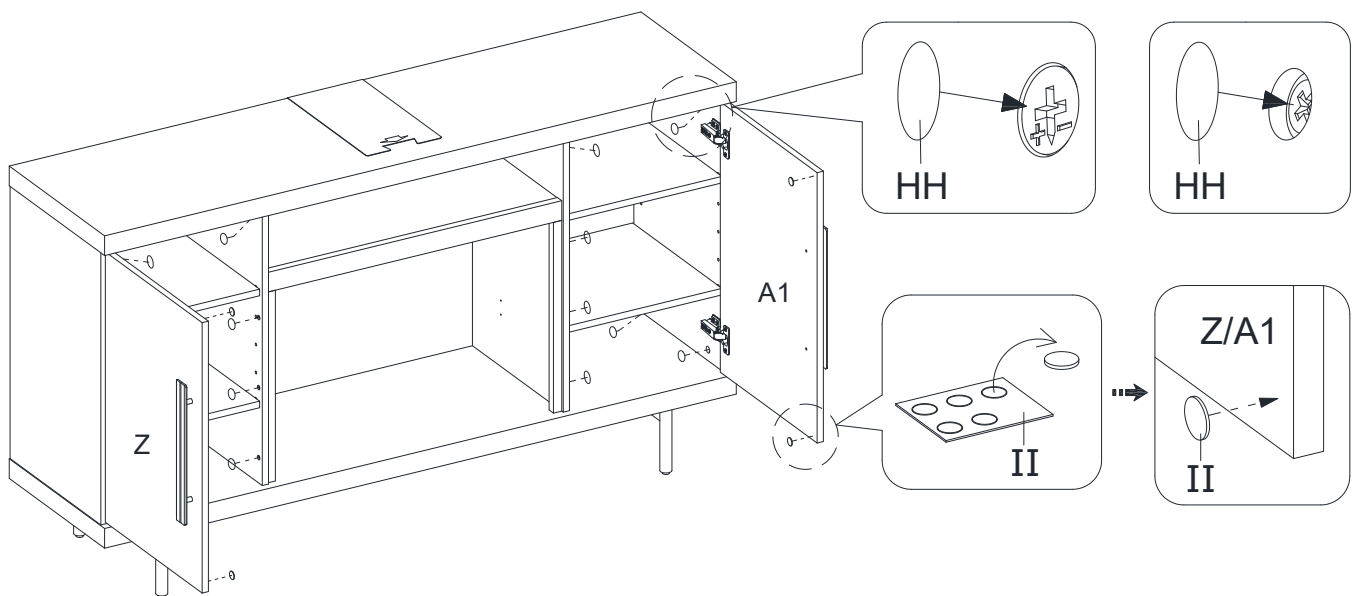
15 Installing adjustable shelves

- Open the doors and insert eight shelf supports (JJ) into the holes at the desired height inside each side compartment. Make sure you place the four shelf supports at the same level to make the shelf level.
- Tilt and rest the adjustable shelves (U) onto the shelf supports (JJ).



16 Affixing paper stickers and bumpers

- Stick the paper stickers (HH) onto the cam locks and screws.
- Stick the rubber bumpers (II) on the outer corners of doors where the partition panels (L and N) are in contact with.



Assembly (continued)

17 Attaching upright arms

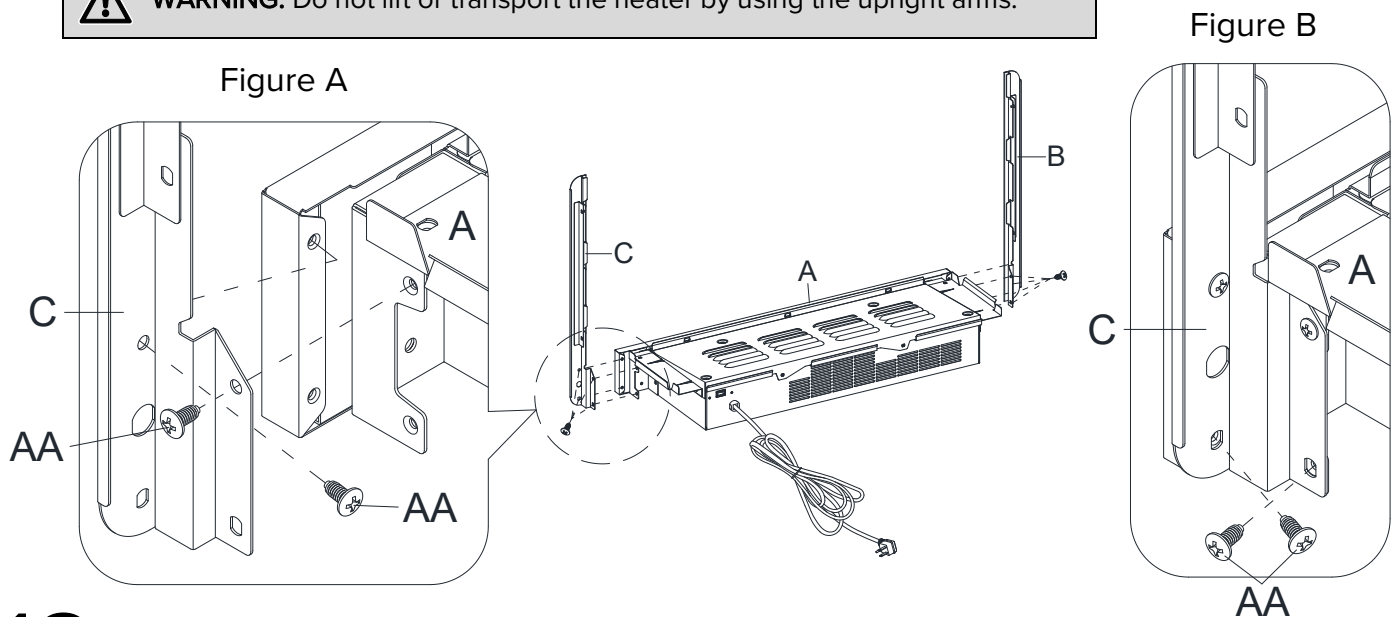


IMPORTANT NOTE: Use hand screwdriver, not power driver to assemble fireplace insert. See BILT for video instructions.

- See figure A: Fasten upper 2 screws (AA) through the upright arm (C) into the heater (A) until tight.
- See figure B: Fasten lower 2 screws (AA) into the upright arm (C) until tight.
- Fully tighten all 4 screws (AA) one final time.
- Repeat the same process with upright arm (B).



WARNING: Do not lift or transport the heater by using the upright arms.

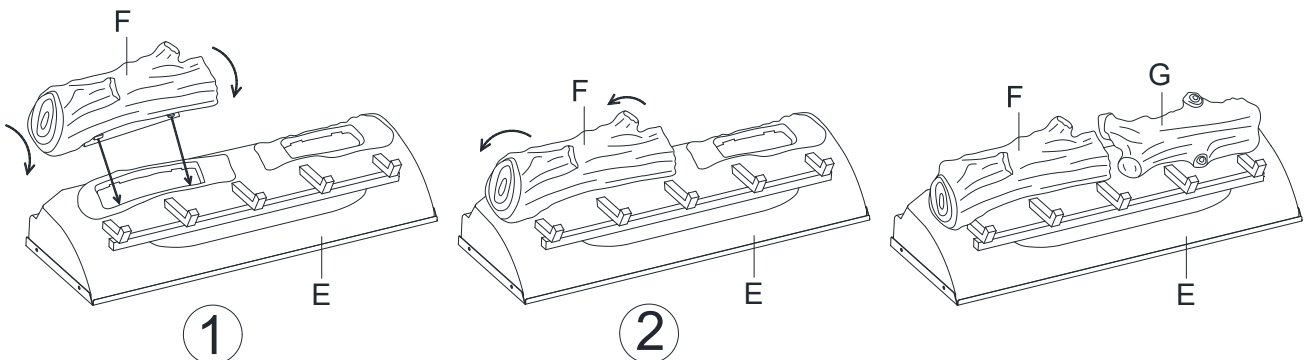


18 Attaching logs to ember bed



IMPORTANT: Carefully follow the 2 steps below for inserting each log.

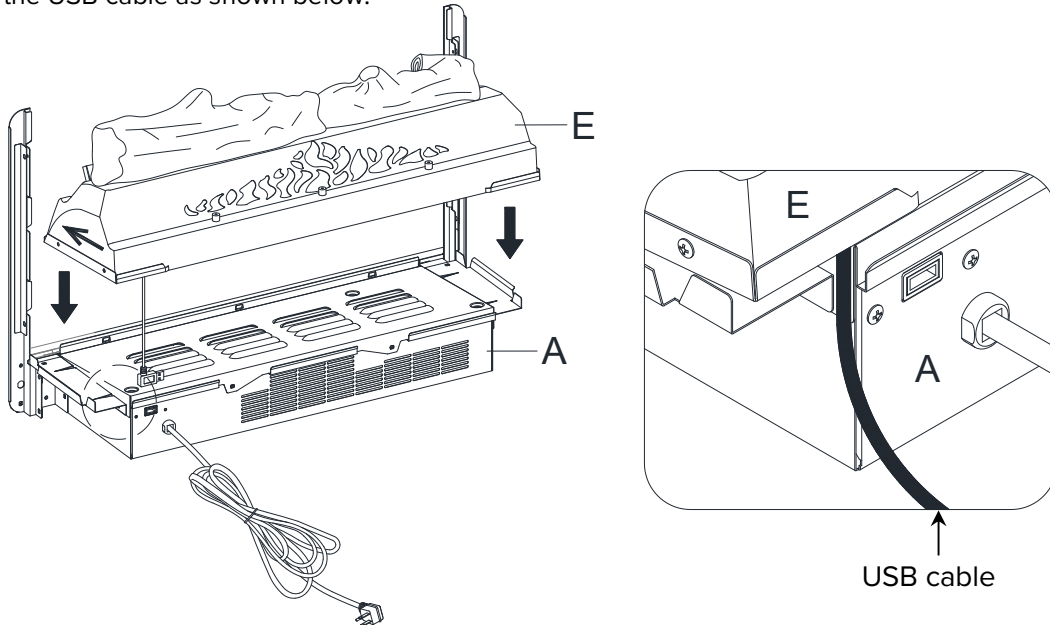
1. Install left log (F) into left hole of ember bed (E) by inserting front edge of base of the log into front notches of ember bed hole.
 2. Then tilt the log back to insert the rear edge of the log base into rear notches of ember bed hole (press down log firmly to lock into position).
- Repeat the above process for the right log (G).



Assembly (continued)

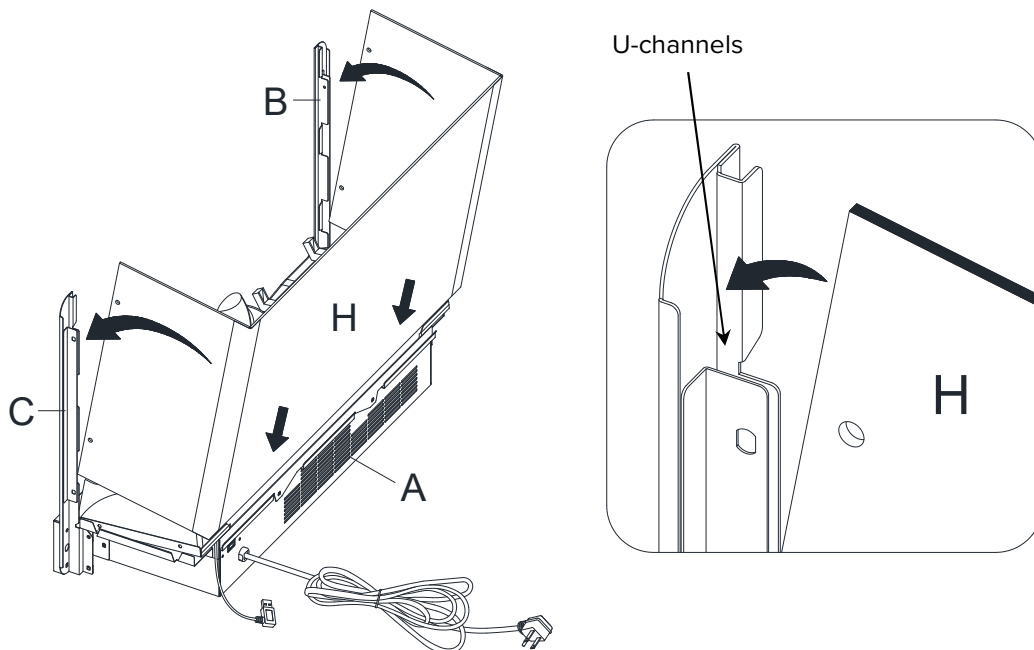
19 Positioning ember bed

- Set the ember bed (E) onto the heater (A) as shown.
- Push ember bed forward against the front flange of heater.
- Position the USB cable as shown below.



20 Attaching wall panel

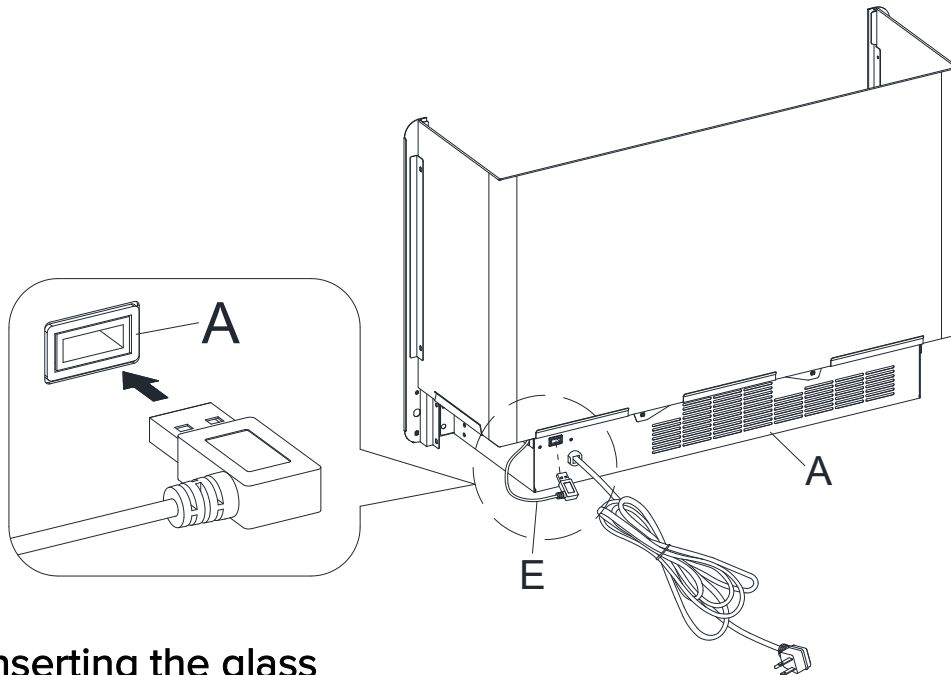
- Fold the wall panel (H) as shown. Then position yourself at back side of heater (A).
- Hold wall panel (H) at the angle shown below and insert lower back edge into metal slots on back of heater (A).
- Tilt wall panel (H) forward until bottom corner inserts into lower U-channels on both upright arms (B and C).
- Continue to tilt wall panel (H) forward until the top corner inserts into upper U-channels on both upright arms (B and C).



Assembly (continued)

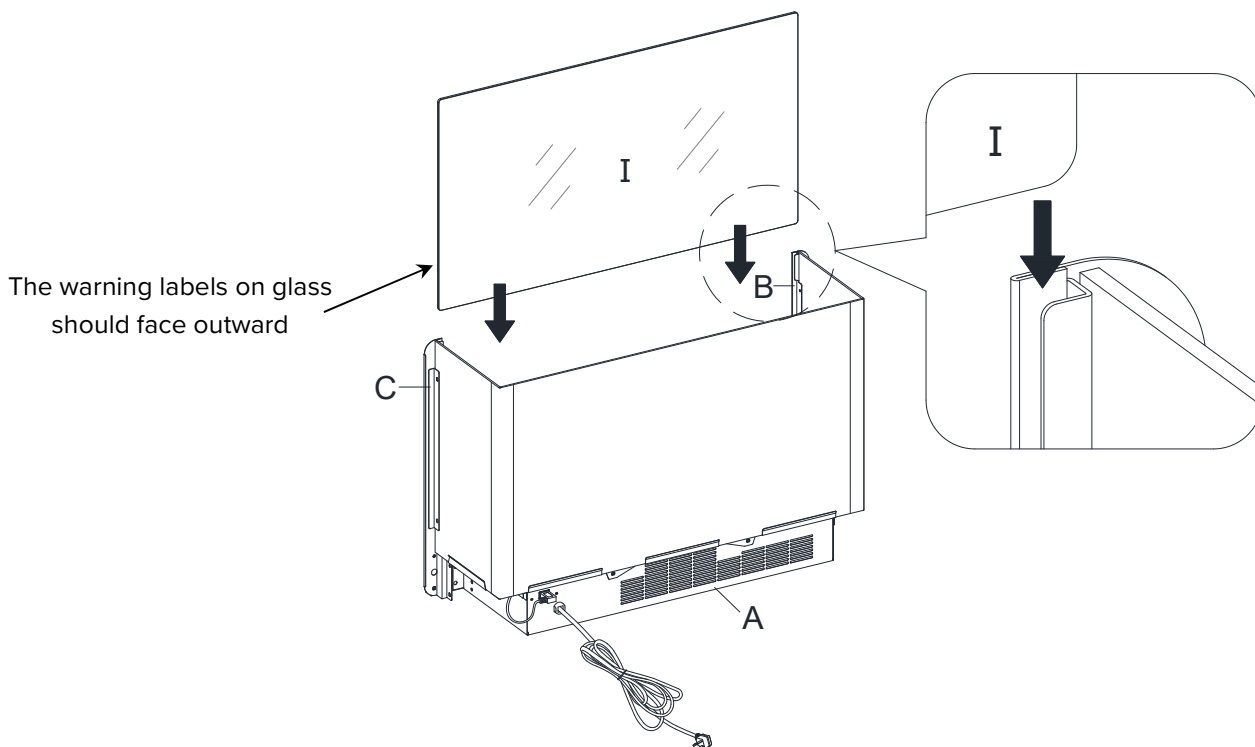
21 Connecting ember bed cable to heater

- Fully plug the USB connector of the ember bed (E) into the back port of heater (A).



22 Inserting the glass

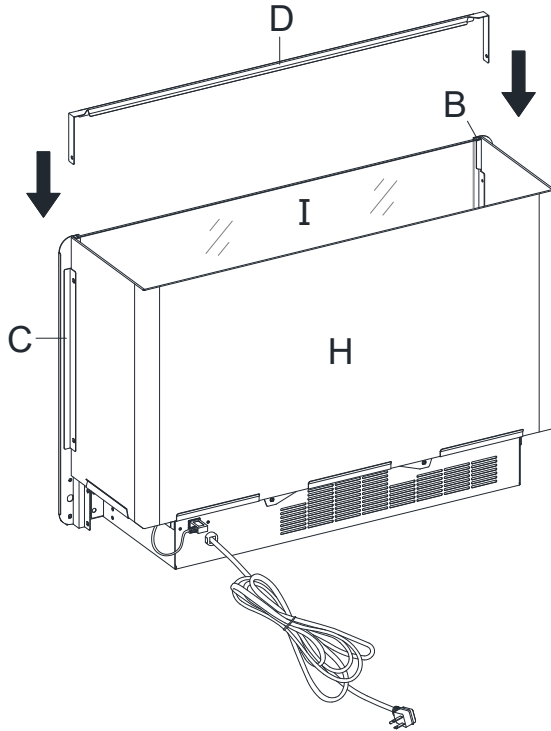
- Slide the glass (I) into the inner U-channels on both upright arms (B and C) until the glass sits onto the heater (A). If needed, push top of upright arms in or out to accommodate glass. Make sure the top of the glass (I) is flush with the top of both upright arms (B and C).



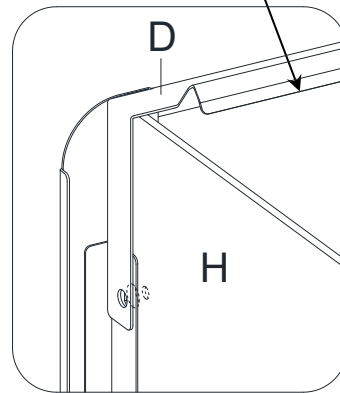
Assembly (continued)

23 Positioning connector strap

- Position top connector strap (D) over the glass (I) and upright arms (B and C). Follow orientation shown below.

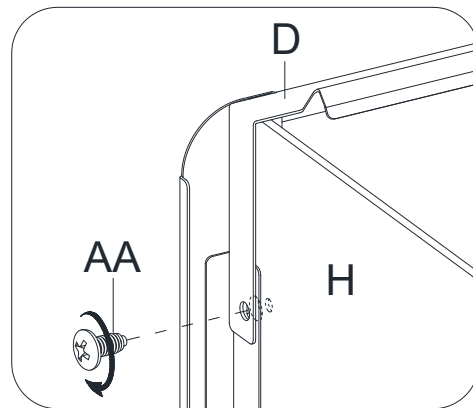
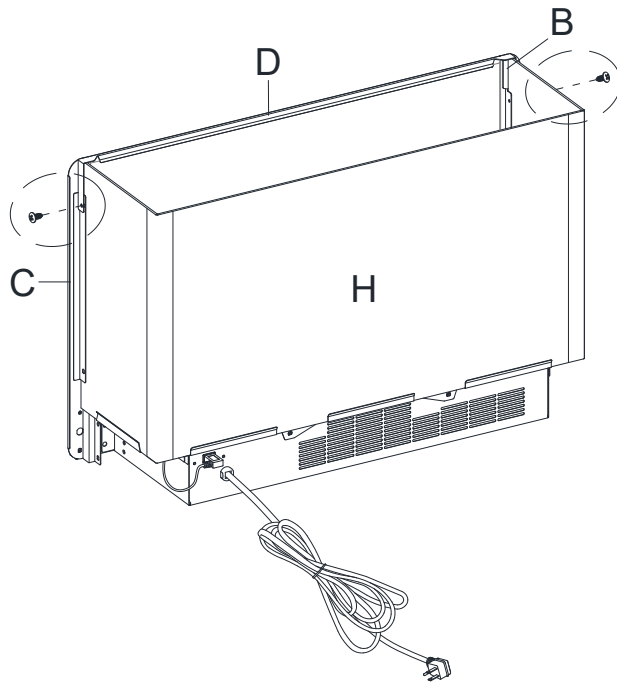


The bevel edge faces inside the unit.



24 Attaching connector strap

- Fasten connector strap (D) to both upright arms (B and C) using two screws (AA) as show below. Holes must be in line for screw to pass through.

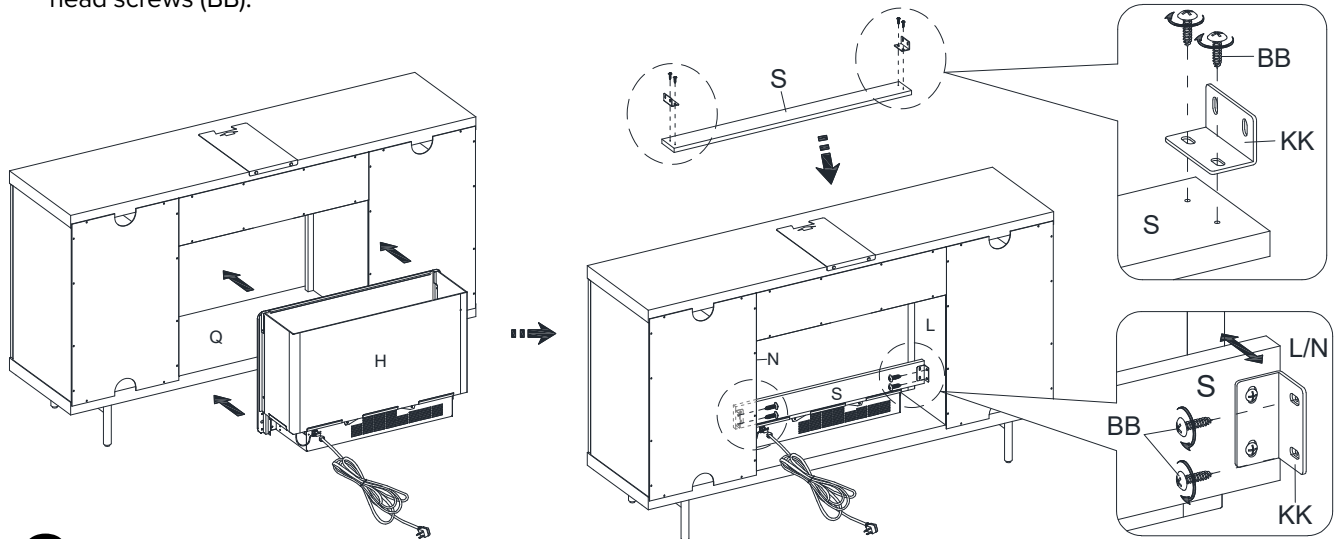


Assembly (continued)

25

Installing fireplace insert

- Lift the fireplace insert carefully into the back of the assembled mantel and centre it in the opening.
- Using the pilot holes as a guide, fasten two L-shaped brackets (KK) onto the firebox holder (S) with four pan head screws (BB). Make sure that the right-angle side is flush with the short edge of firebox holder (S).
- Using the pilot holes as a guide, fasten the firebox holder (S) between the partition panels (L and N) with four pan head screws (BB).



26

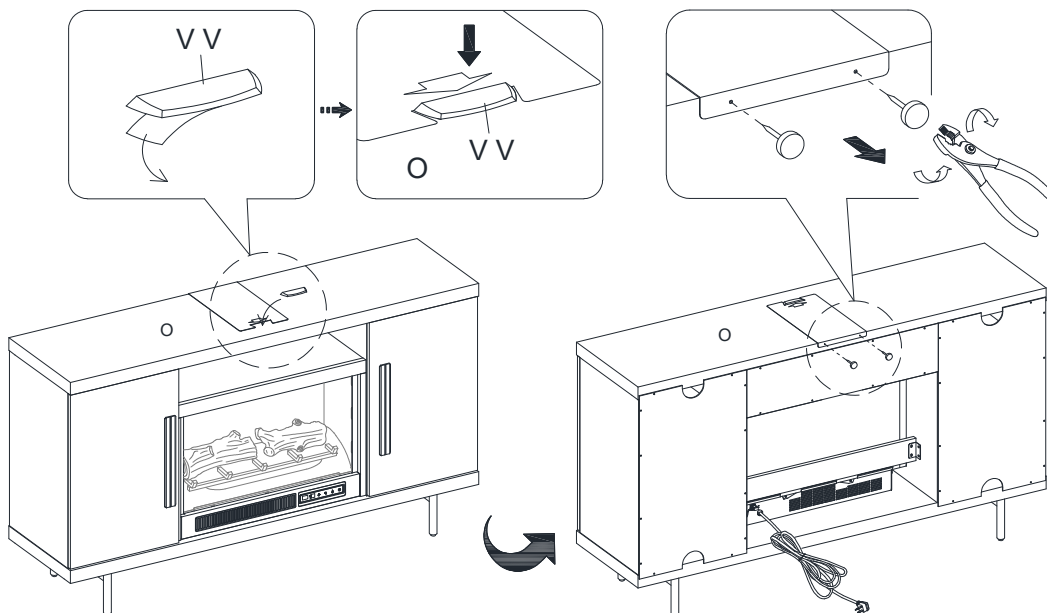
Installing acrylic stopper

- Remove the paper backing of acrylic stopper (VV), then properly align the acrylic stopper into the cutout on the acrylic stopper template on the front of the top panel (O). Press down on the acrylic stopper to help adhesion.



NOTE: To prevent your TV from tipping, you must install the acrylic TV stopper if you place a flat panel television on the top panel. Otherwise, skip to next step.

- At the back of top panel (O), grip the heads of plastic tacks with pliers, with twisting motion pull tacks loose to remove the acrylic stopper template.

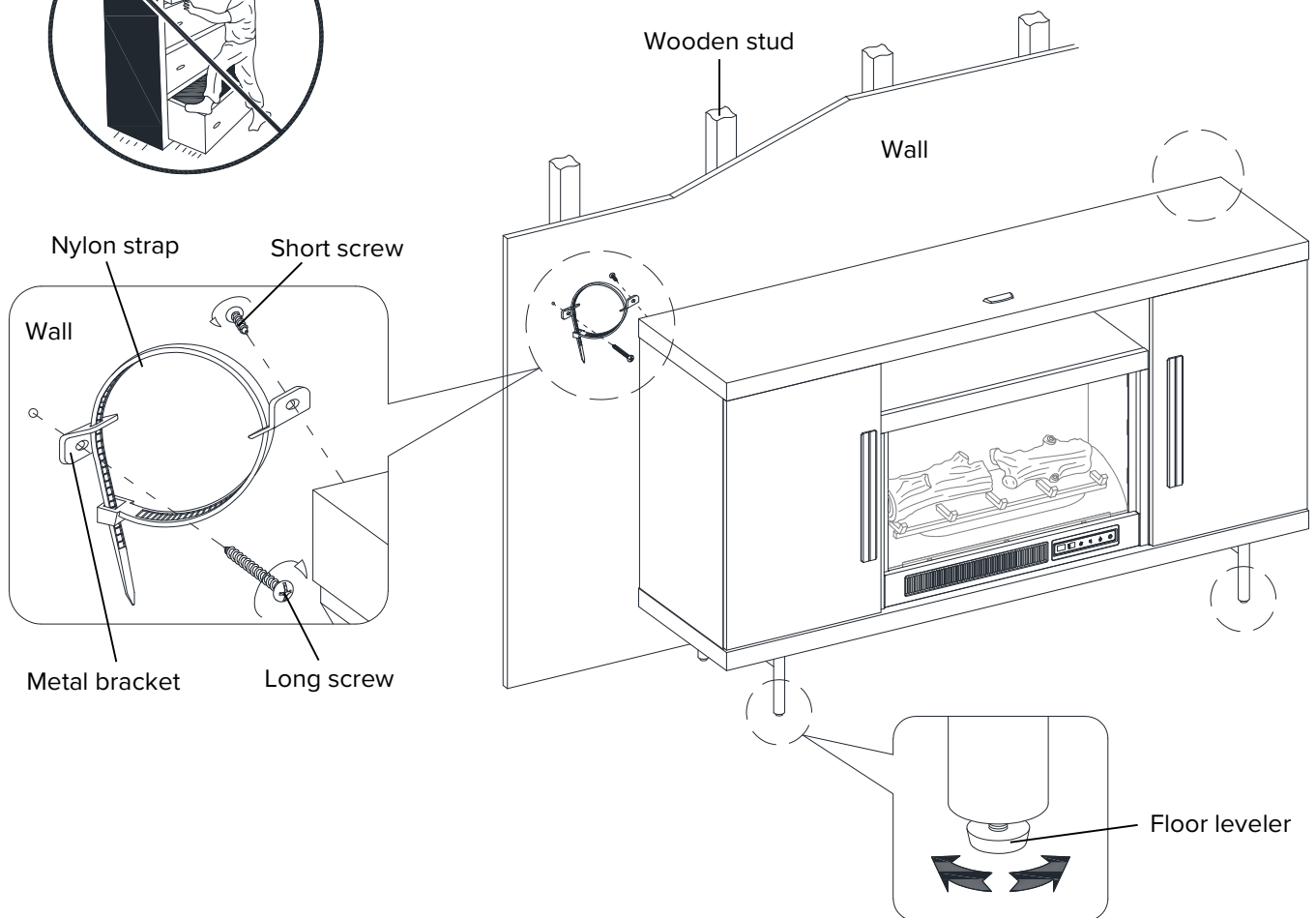


27 Installing tipping restraint hardware



WARNING: Young children can be seriously injured by tipping furniture. You must install the tipping restraint hardware with the unit to prevent the unit from tipping, causing any accidents or damage. The tipping restraints are intended only as a deterrent, they are not a substitute for proper adult supervision. The tipping restraints are not earthquake restraints. If you wish to add the extra security of earthquake restraints, they must be purchased and installed separately.

- With assistance, position the assembled fireplace at the desired location against a wall. If necessary, adjust the pre-attached floor levelers by hand to correct tilting and level the doors, until the unit is level.
- Follow the instructions printed on the plastic bag containing the tipping restraint hardware to attach the tip-over restraints to the unit and the wall.
- Connect the fireplace to the power transformer. Follow the operating manual for the electric fireplace insert to control your fireplace.



Care and Maintenance

A touch-up pen has been provided to minimize the small nicks or scratches that may occur during assembly or shipping.

To clean and care for your furniture:

- ❑ Use a soft, clean cloth that will not scratch the surface when dusting.
- ❑ Use of furniture polishes is not necessary. Should you choose to use polishes, test first in an inconspicuous area.
- ❑ Using solvents of any kind on your furniture may damage the finish.
- ❑ Never use water to clean your furniture as it may cause damage to the finish.
- ❑ Always use coasters under beverage glasses and flowerpots.
- ❑ Liquid spills should be removed immediately. Using a soft clean cloth, blot the spill gently. Avoid rubbing.
- ❑ Always use protective pads under hot dishes and plates. Heat can cause chemical changes that may create spotting within the furniture finish.
- ❑ In the event that your furniture is stained or otherwise damaged during use, we recommend that you call a professional to repair your furniture.
- ❑ Check bolts/screws periodically and tighten them if necessary.

CARING FOR WOOD FURNITURE

It is best to keep your furniture in a climate-controlled environment. Extreme temperature and humidity changes can cause fading, warping, shrinking and splitting of wood. It is advised to keep furniture away from direct sunlight as sun may damage the finish.

Proper care and cleaning at home will extend the life of your purchase. Following these important and helpful tips will enhance your furniture as it ages.

CLEANING THE FIREPLACE TRIM

Clean the metal trim using a soft cloth, slightly dampened with citrus oil based product and buff with a clean soft cloth. DO NOT use brass polish or household cleaners as these products will damage the metal trim. Citrus oil based products can be obtained at supermarkets or hardware stores.



WARNING

- Unit must be placed on a level surface or leveled with included hardware (when applicable).
- Do not sit or stand on or allow children to climb, sit or stand on the assembled product.
- For safety reasons, it is imperative that this unit be mounted to the wall or floor.
- Unit can tip over causing severe injury or death.
- Never open more than one drawer at a time.
- Do not exceed the recommended weight limits.
- Before cutting, drilling or hammering into any wall or floor surface, verify the location of electrical, plumbing and gas lines. Cutting may cause serious injury.

SCOTT  LIVING™

BY DREW & JONATHAN



We're not happy unless you're happy, so we offer a 30-day Love It Guarantee. If for any reason you don't love your Scott Living product, you can return it to your place of purchase within 30 days of the date on your receipt for a full refund — no questions asked.

RETURN POLICY FOR CUSTOM ITEMS VARY. PLEASE CHECK WITH YOUR RETAILER FOR DETAILS.

Questions, problems, missing parts? Before returning to the store,
call Customer Service

1-866-942-5362

Pacific Standard Time: 8:30 a.m. - 4:30 p.m., Monday - Friday

Or visit our web site 24 hours a day, 7 days a week for product assistance at

www.whalenfurniture.com

Or e-mail your request to **parts@whalenfurniture.com**

Retain this manual for future use.

SCOTT  LIVING™

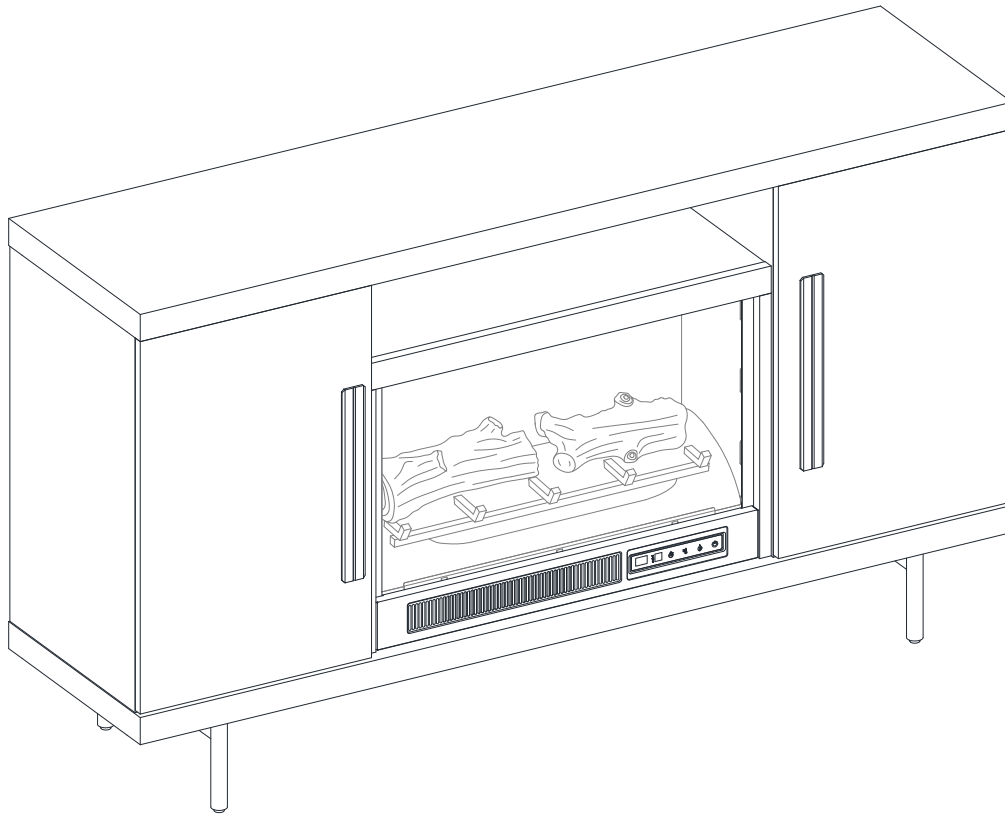
BY DREW & JONATHAN

OMSID n° 320643189
n° 320643190

Modèle n° HDSLFP60L-3A
n° HDSLFP60L-3B

INSTRUCTIONS DE MONTAGE

MEUBLE MULTIMÉDIA DE 1,52 m AVEC FOYER ÉLECTRIQUE À INFRAROUGE
CESTONI



Vous avez des questions ou des problèmes? Certaines pièces sont manquantes? Avant de vous rendre au magasin, communiquez avec le service à la clientèle de

1-866-942-5362

Heure normale du Pacifique, entre 8 h 30 et 16 h 30, du lundi au vendredi

Vous pouvez également visiter notre site Web 24 heures par jour, 7 jours sur 7 pour obtenir de l'aide sur le produit

www.whalenfurniture.com

ou transmettre une demande par courriel **parts@whalenfurniture.com**

MERCI

Nous apprécions la confiance que vous avez témoigné à Scott Living par Drew & Jonathan en achetant ce meuble. Nous nous efforçons continuellement de créer des produits de qualité pour votre maison. Visitez notre site web pour voir la gamme complète de produits que nous offrons pour satisfaire à vos besoins en matière d'amélioration du foyer.

Merci d'avoir choisi Scott Living par Drew & Jonathan!

Table des matières

Consignes de sécurité.....	2	Matériel fourni.....	3
Poids maximal supporté.....	2	Contenu de l'emballage.....	4
Garantie.....	2	Assemblage.....	5
Pré-assemblage.....	2	Entretien.....	19
Plan de montage.....	2	Entretien de votre meuble en bois.....	19
Outils nécessaires.....	2	Nettoyage de la garniture du foyer.....	19

Consignes de sécurité

Veillez lire et comprendre ces instructions avant d'assembler et d'utiliser cette console. Conservez ces instructions pour toute référence future.

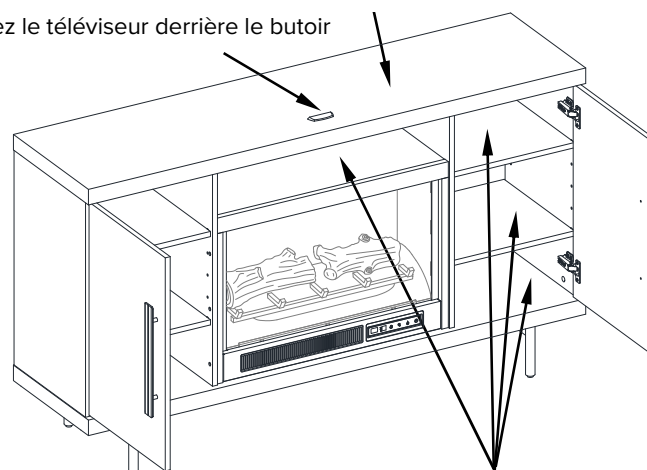
POIDS MAXIMAL SUPPORTÉ



AVERTISSEMENT : Cette console n'est pas conçue pour supporter des téléviseurs à tube cathodique. Utilisez uniquement des téléviseurs à écran plat et des équipements audio/vidéo respectant les limites recommandées de taille et de poids. Ne l'utilisez jamais avec un téléviseur à écran plat plus grand ou plus lourd que ceux recommandés. Pour éviter l'instabilité, placez un téléviseur à écran plat au centre de l'appareil ; la base de la télévision doit pouvoir reposer sur la surface de support de l'appareil sans trop accrocher les bords. Des téléviseurs à écran plat mal positionnés, des téléviseurs à écran plat ou d'autres équipements dépassant les limites recommandées de taille et de poids peuvent tomber ou casser l'appareil, entraînant de graves blessures.

Convient à la plupart des téléviseurs à écran plat jusqu'à 177,8 cm / 70 po. de diagonal
Charge maximale 36,3 kg / 80 lb

Placez le téléviseur derrière le butoir



Charge maximale 22,7 kg / 50 lb

Garantie

Nous croyons que vous serez pleinement satisfait de votre achat. Si ce produit comporte des défauts de fabrication ou de main-d'œuvre, ou qu'il s'avérait défectueux dans le cadre d'un usage normal, nous le réparerons ou le remplacerons jusqu'à un (1) an à compter de la date d'achat.

La présente garantie vous donne des droits légaux spécifiques et vous pouvez également avoir d'autres droits, lesquels varient d'une région à l'autre.

Communiquez avec l'équipe du service à la clientèle au 1-866-942-5362 ou visitez le site www.whalenfurniture.com.

Pré-assemblage

PLAN DE MONTAGE

Comparez toutes les pièces avec les listes du matériel inclus et du contenu du paquet. Si une pièce semble manquante ou endommagée, n'assemblez pas le produit et contactez l'équipe du service client au 1-866-942-5362.

OUTILS NÉCESSAIRES



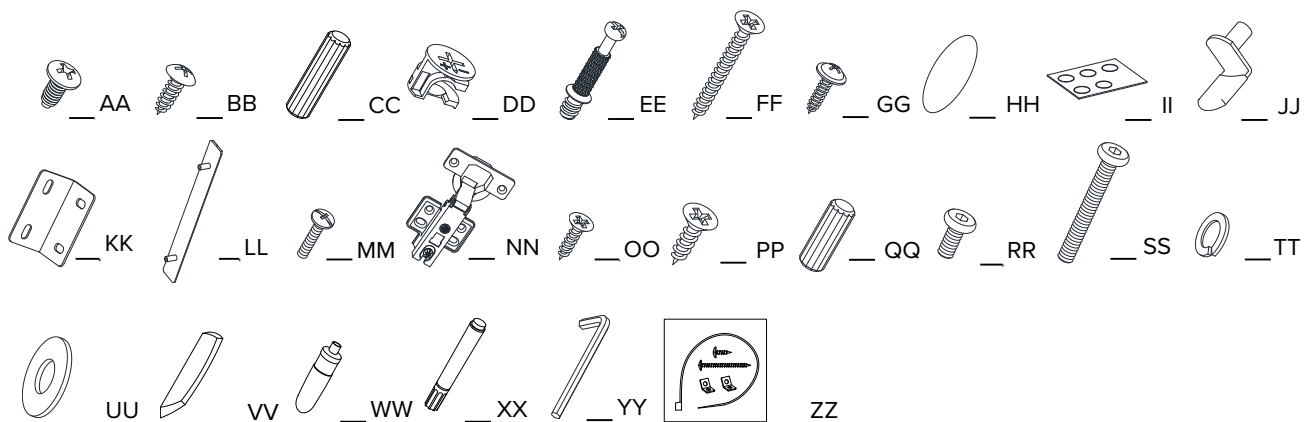
Tournevis
cruciforme
(non inclus)

Pré-Assemblage (suite)

MATÉRIEL FOURNI



REMARQUE : le matériel n'est pas affiché à l'échelle de grandeur réelle.

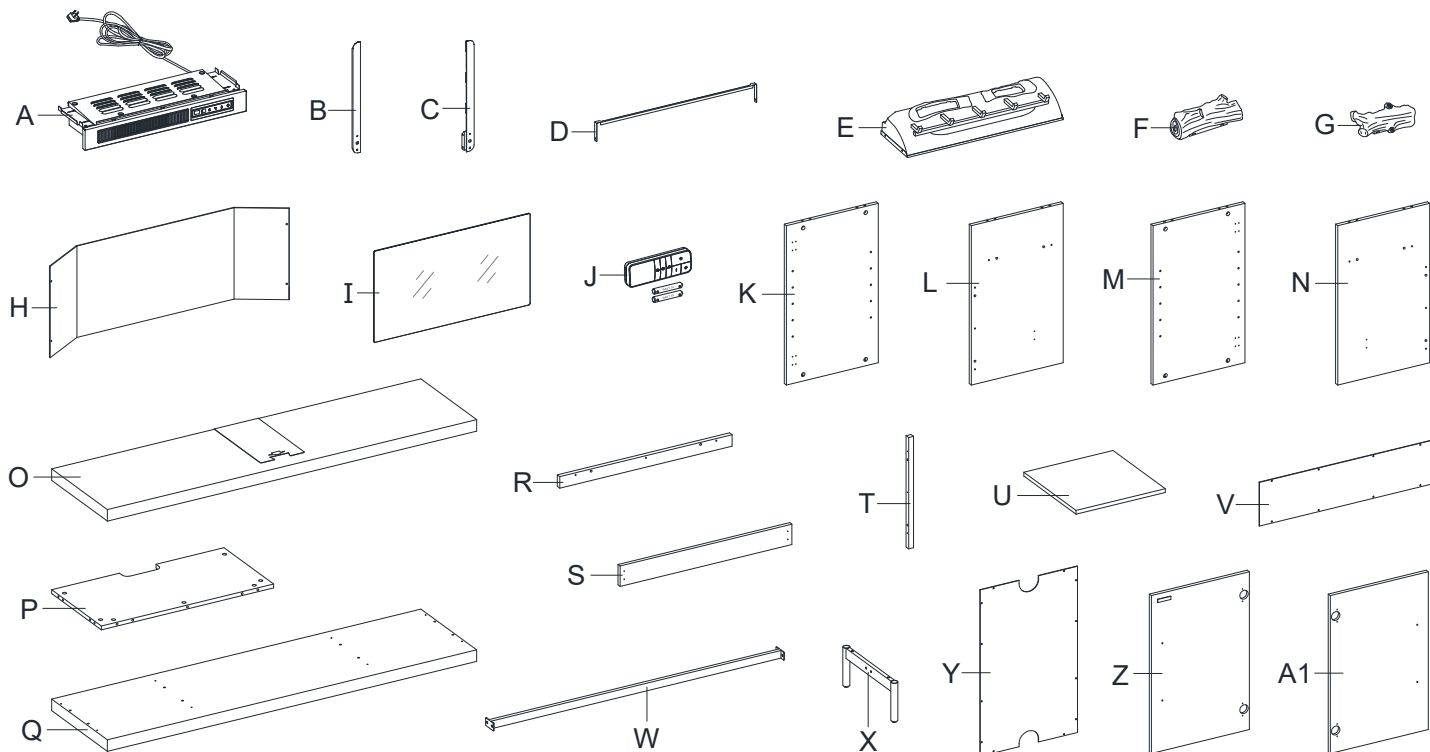


Part	Description	Quantity
AA	Vis pour foyer	10+1 extra
BB	Vis à tête cylindrique	8+1 extra
CC	Cheilles bois longue	22+1 extra
DD	Verrou à came	19+1 extra
EE	Boulons à came	19+1 extra
FF	Vis à tête plate longue	4+1 extra
GG	Vis à tête ronde	32+1 extra
HH	Autocollants en papier	19+1 extra
II	Pare-choc en caoutchouc	4+1 extra
JJ	Support d'étagère	16+1 extra
KK	Support métallique en L	2
LL	Poignée	2
MM	Boulon de poignée	4
NN	Charnière	4

Part	Description	Quantity
OO	Vis nickel pour charnière	24+1 extra
PP	Vis à tête plate courte	6+1 extra
QQ	Cheville bois courte	4+1 extra
RR	Boulon courte	4+1 extra
SS	Boulon longue	4+1 extra
TT	Rondelle verrou	8+1 extra
UU	Rondelle plate	8+1 extra
VV	Bouchon en acrylique	1
WW	Colle	1
XX	Stylo de retouche (Non inclus pour HDSLFP60L-3B)	1
YY	Clé hexagonale	1
ZZ	Kit de quincaillerie de retenue de basculement	2

Pré-Assemblage (suite)

CONTENU DE L'EMBALLAGE



Part	Description	Quantity
A	Radiateur	1
B	Bras verticaux gauche	1
C	Bras verticaux droit	1
D	L'attache du connecteur	1
E	Lit de braises	1
F	Bûches gauche	1
G	Bûches droite	1
H	Panneaux muraux du foyer	1
I	Verre du foyer	1
J	Télécommande avec batterie	1
K	Panneau latéral gauche	1
L	Paroi gauche	1
M	Paroi droit	1
N	Panneau latéral droit	1

Part	Description	Quantity
O	Panneau supérieur	1
P	Étagère multimédia	1
Q	Panneau inférieur	1
R	Barre transversale centrale	1
S	Support de foyer	1
T	Montant du milieu	2
U	Étagère réglable	4
V	Panneau arrière milieu	1
W	Traverse inférieure	1
X	Pied latéraux	2
Y	Panneau arrière lateral	2
Z	Porte gauche	1
A1	Porte droite	1

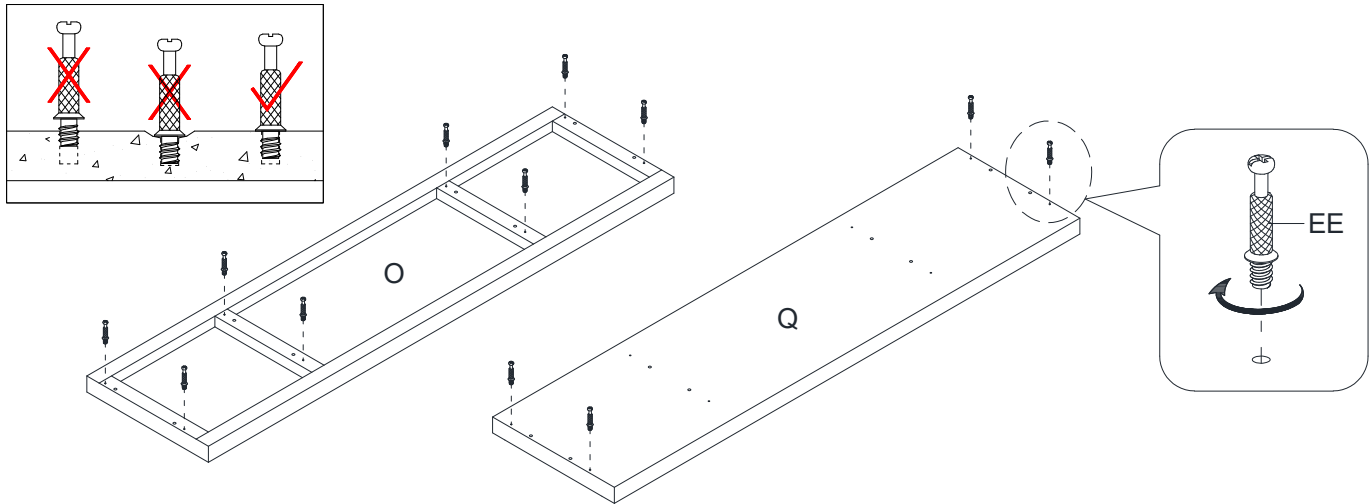
Assemblage

1 Préparation de l'assemblage des panneaux supérieur et inférieur



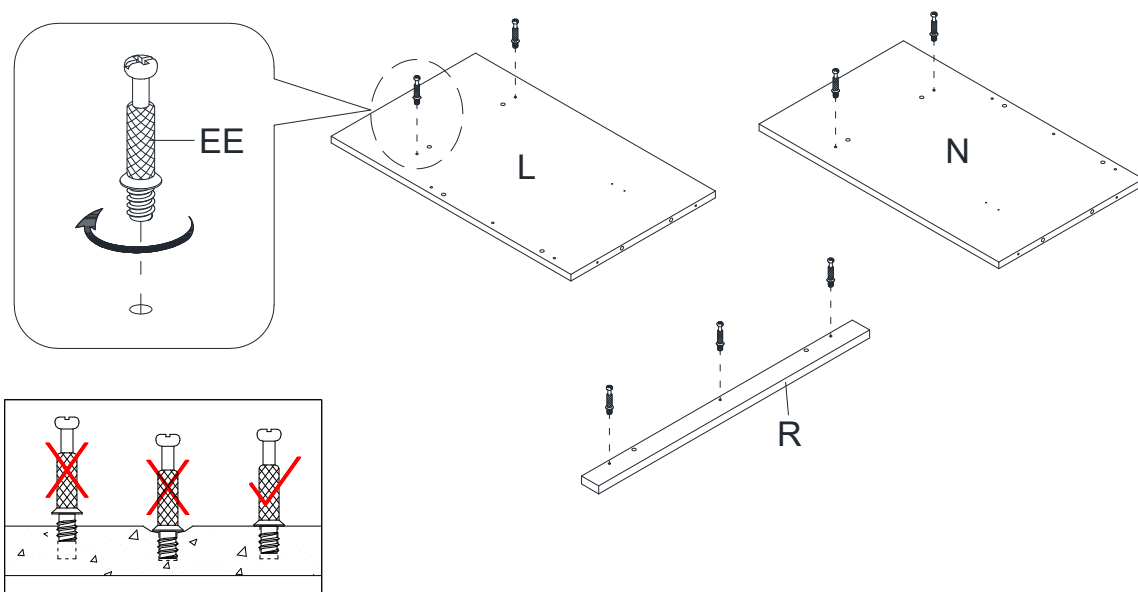
REMARQUE : Ne pas complètement serrer les boulons avant d'avoir terminé l'assemblage de toutes les pièces. Une fois assemblées, revenir en arrière et serrer tous les boulons. Cela facilitera l'assemblage.

- Déballiez l'unité et vérifiez que vous disposez de tout le matériel et des pièces nécessaires. Assemblez l'unité sur un sol recouvert de moquette ou sur le carton vide pour éviter toute rayure.
- Vissez fermement les boulons à came (EE) dans les petits trous désignés sur le panneau supérieur (O) et le panneau inférieur (Q) à l'aide d'un tournevis cruciforme.



2 Préparation des cloisons et assemblage de la traverse centrale

- Vissez solidement les boulons à came (EE) dans les petits trous désignés sur les panneaux de séparation (L et N) et la barre transversale centrale (R) à l'aide d'un tournevis cruciforme.



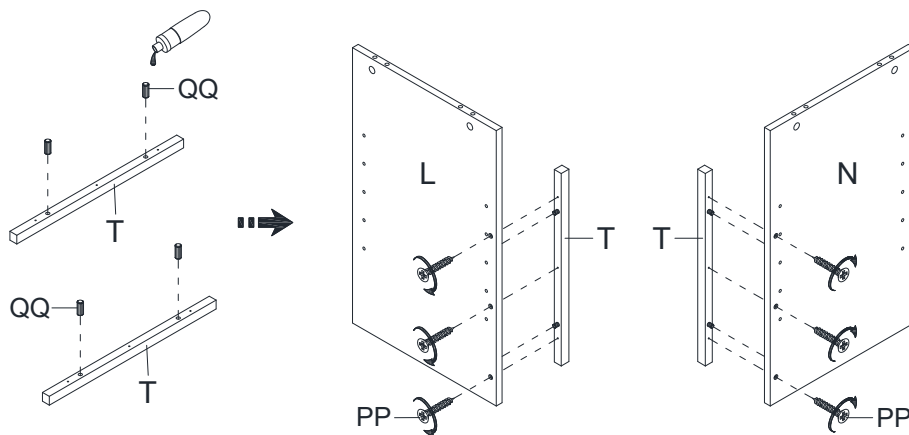
Assemblage (suite)

3 Fixation des montants du milieu

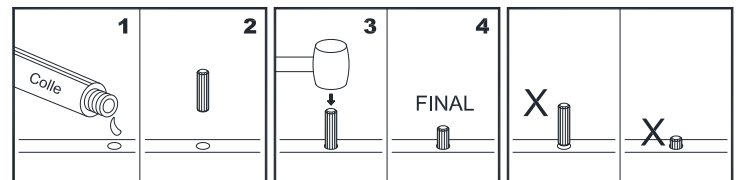


REMARQUE : Reportez-vous aux dessins du guide d'assemblage des chevilles dans cette étape pour plus de précisions sur la façon de coller correctement les chevilles en bois. Appliquez cette méthode chaque fois que vous demandez d'installer des chevilles en bois.

- ❑ Collez quatre chevilles bois courte (QQ) dans les trous désignés sur les montants du milieu (T). Il est très important d'utiliser une petite quantité de colle aux deux extrémités des chevilles et d'essuyer immédiatement l'excédent de colle.
- ❑ Fixez les montants du milieu (T) aux panneaux de séparation (L et N) respectivement avec trois vis courtes à tête plate (PP) pour chaque montant.

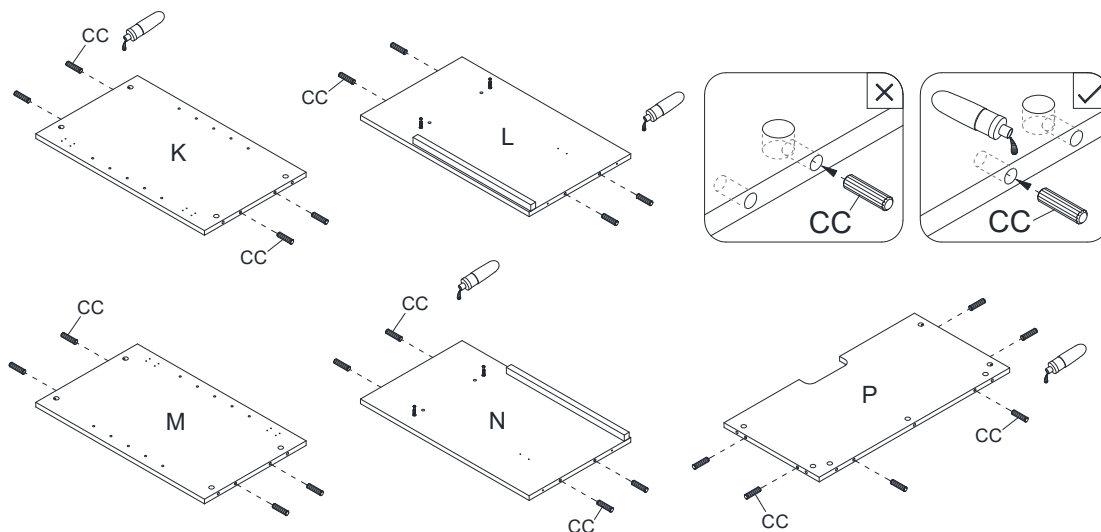


Guide d'assemblage de la cheville



4 Collage des chevilles en bois

- ❑ Collez les chevilles bois longue (CC) dans les trous désignés sur les panneaux verticaux (K, L, M et N) et l'étagère multimédia (P).



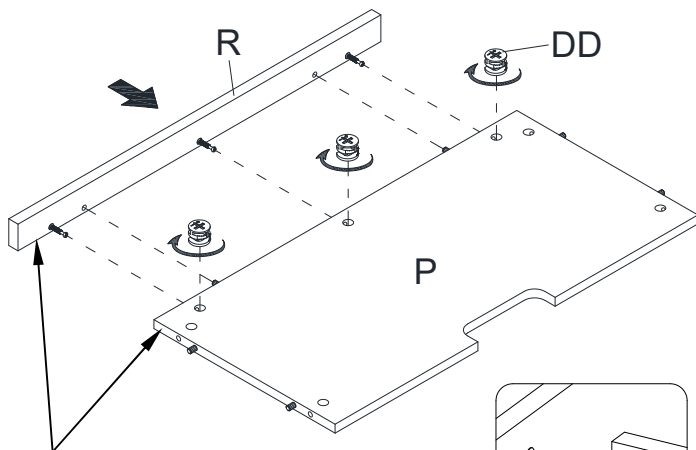
Assemblage (suite)

5 Fixation de la traverse centrale



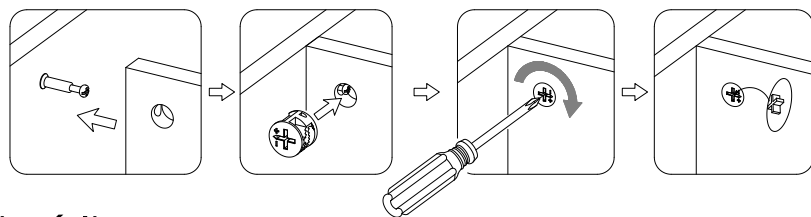
Remarque : Reportez-vous aux dessins du guide d'assemblage des verrous à came dans cette étape pour plus de précisions sur la façon d'installer correctement les verrous à came. Appliquez cette méthode chaque fois que vous demandez d'installer des verrous à came.

- Alignez et fixez la traverse centrale (R) à la tablette multimédia (P) en engageant trois verrous à came (DD).



Les bords supérieurs sont affleurants.

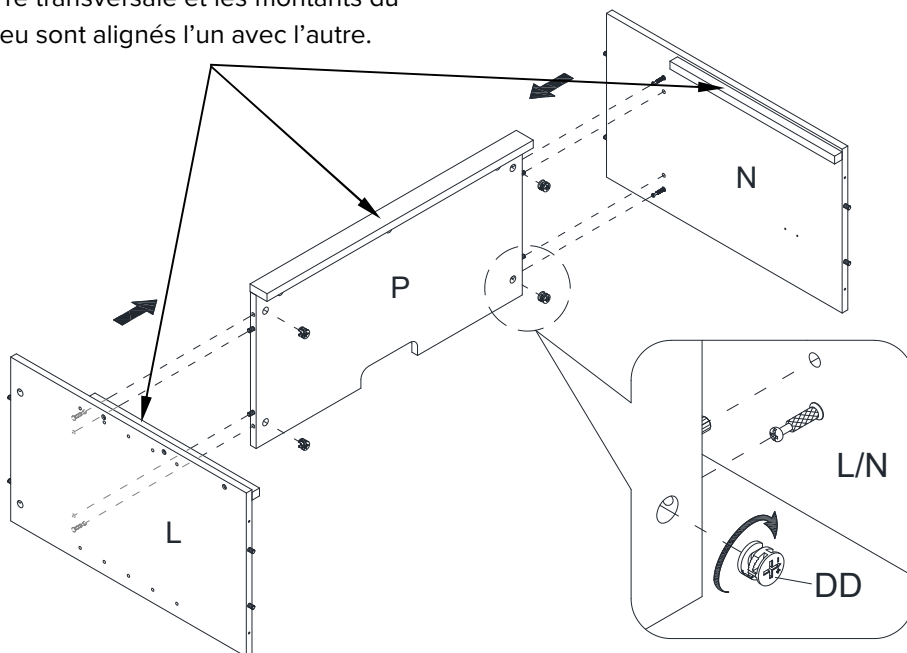
Guide d'assemblage du verrou à came



6 Fixation de l'étagère multimédia

- Alignez et fixez l'étagère multimédia (P) entre les panneaux de séparation (L et N) en engageant quatre verrous à came (DD).

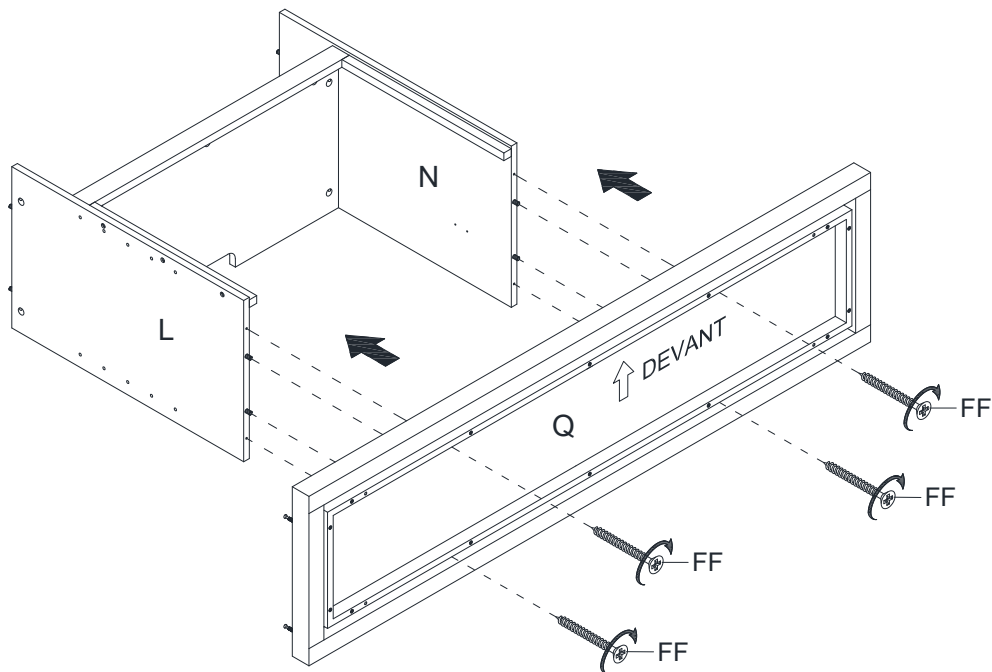
La barre transversale et les montants du milieu sont alignés l'un avec l'autre.



Assemblage (suite)

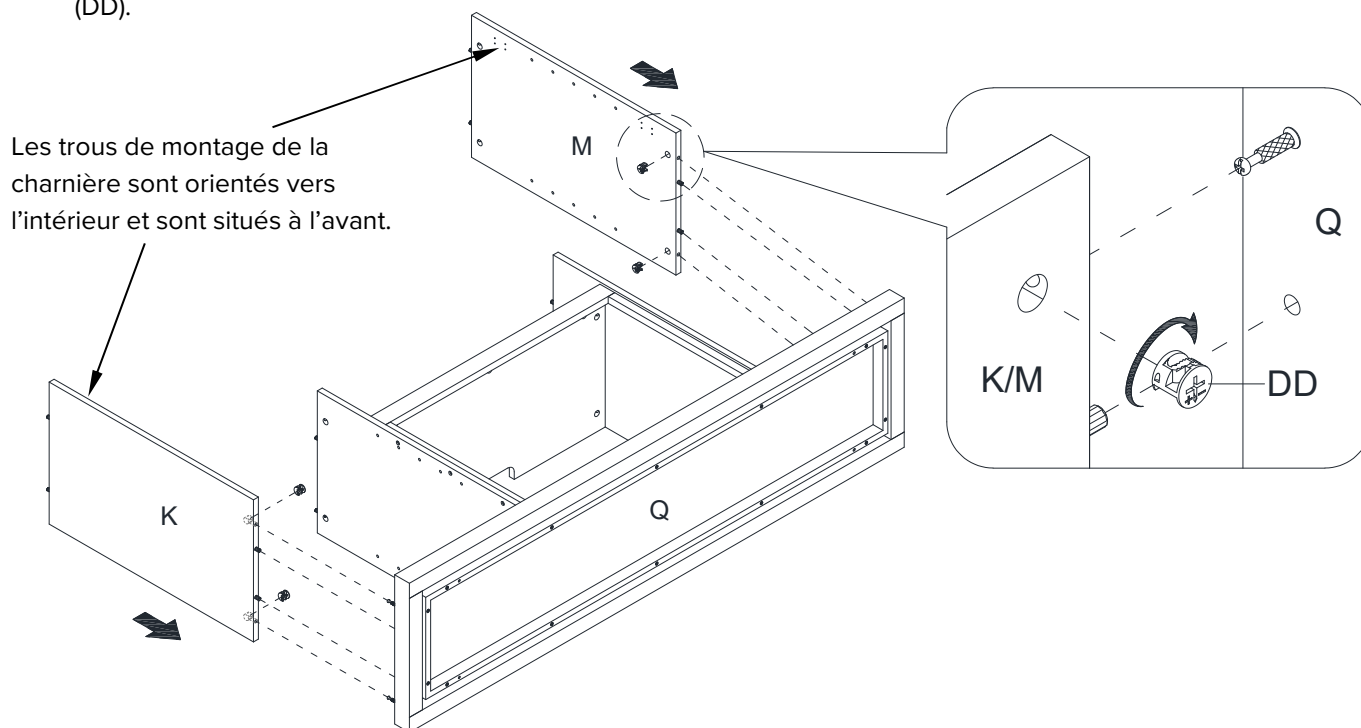
7 Fixation des panneaux de séparation

- En utilisant les goujons en bois comme guide, fixez l'assemblage précédent au panneau inférieur (Q) avec quatre longues vis à tête plate (FF) tel qu'illustré.



8 Fixation des panneaux latéraux

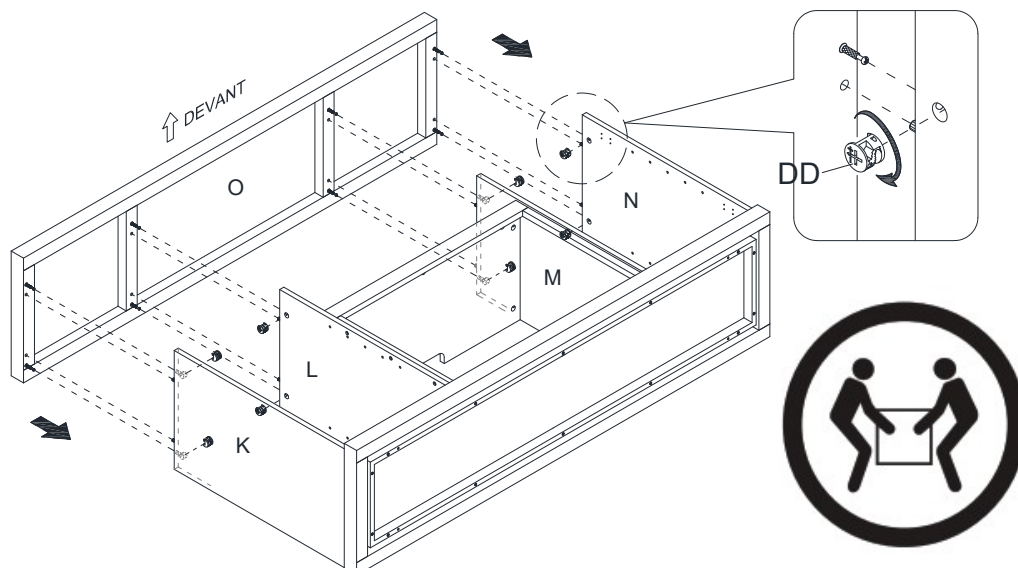
- Orientez et fixez les panneaux latéraux (K et M) au panneau inférieur (Q) en engageant quatre verrous à came (DD).



Assemblage (suite)

9 Fixation du panneau supérieur

- Demandez de l'aide pour placer correctement le panneau supérieur (O) sur les panneaux verticaux supérieurs et fixez-le en place avec huit verrous à came

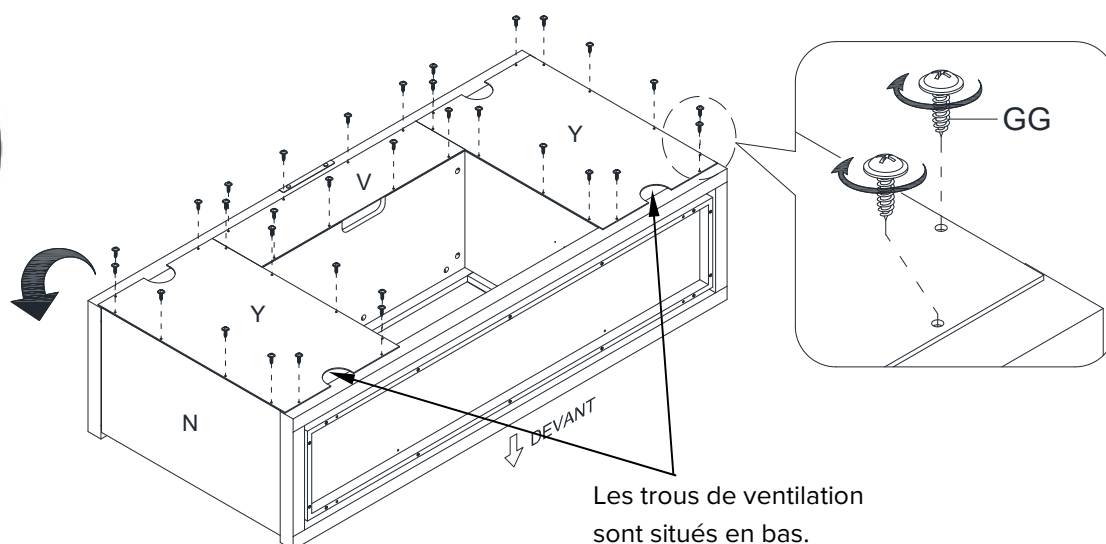


10 Fixation des panneaux arrière

- Maintenant, revenez et serrez fermement tous les vis et verrous à cames. Assurez-vous que toutes les pièces sont bien serrées et qu'il n'y a pas d'espace entre les pièces. Cela permettra de maintenir l'unité à l'équerre.
- Demandez de l'aide pour retourner l'assemblage précédent au niveau de ses bords avant.
- Soulevez le Panneau arrière milieu (V) et alignez les trous pré-perçés contre le bord long supérieur avec les trous pilotes sur la civière arrière du panneau supérieur (O). Fixez-le en place à l'aide des vis à tête ronde (GG) fournies.
- En utilisant les trous pilotes comme guide, alignez et fixez les panneaux arrière latéral (Y) au manteau avec les vis à tête ronde (GG) fournies.



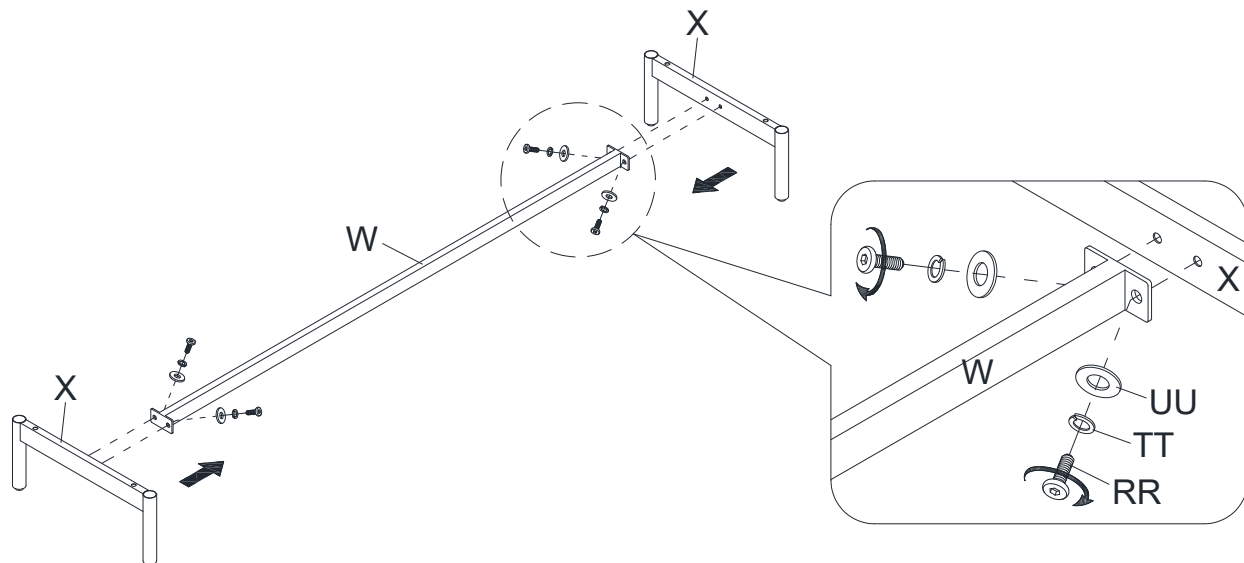
REMARQUE : Nous recommandons de fixer d'abord le panneau arrière avec des vis dans les coins.



Assemblage (suite)

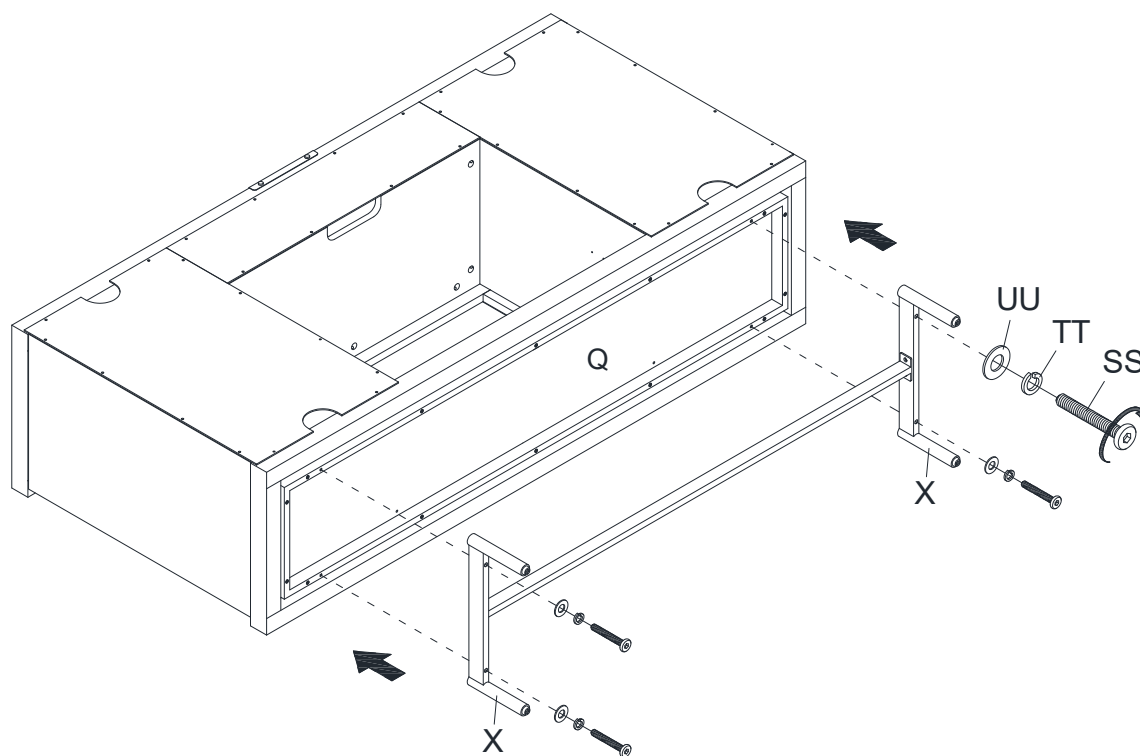
11 Fixation de la traverse inférieure

- Fixez de la traverse inférieure (W) entre les pieds latéraux (X) avec quatre boulons courts (RR) et quatre rondelles (TT et UU UU).



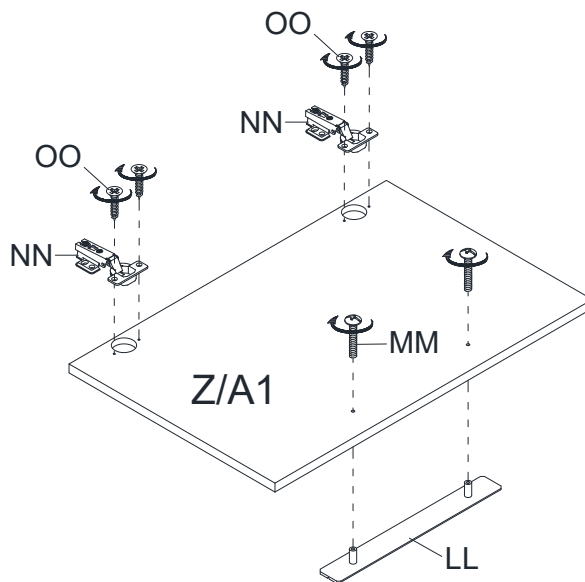
12 Base d'installation

- Alignez et fixez les pieds latéraux assemblés (XS) au panneau inférieur (Q) et fixez-les en place avec quatre boulons longs (SS) et quatre rondelles (TT et UU).



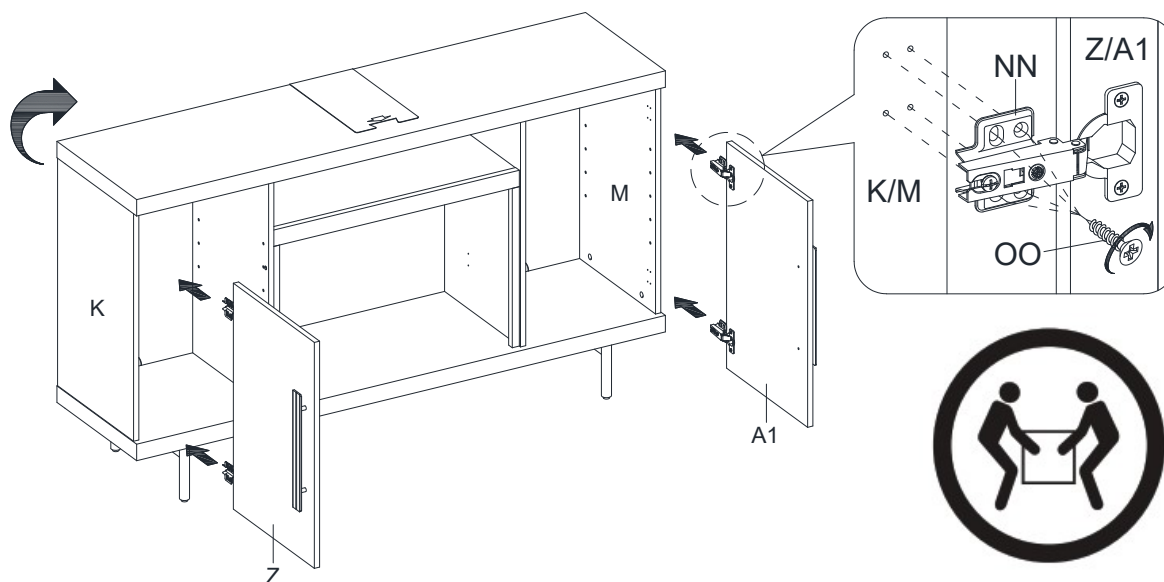
13 Installation des charnières et des poignées de porte

- Déployez deux charnières de porte (NN) et posez les cuvettes de charnière sur les découpes de chaque porte (Z et A1). Fixez les charnières de la porte (NN) en place à l'aide de deux vis en nickel (OO) dans chacune.
- Fixez une poignée (LL) à l'avant de chaque porte (Z et A1) avec deux boulons de poignée (MM).



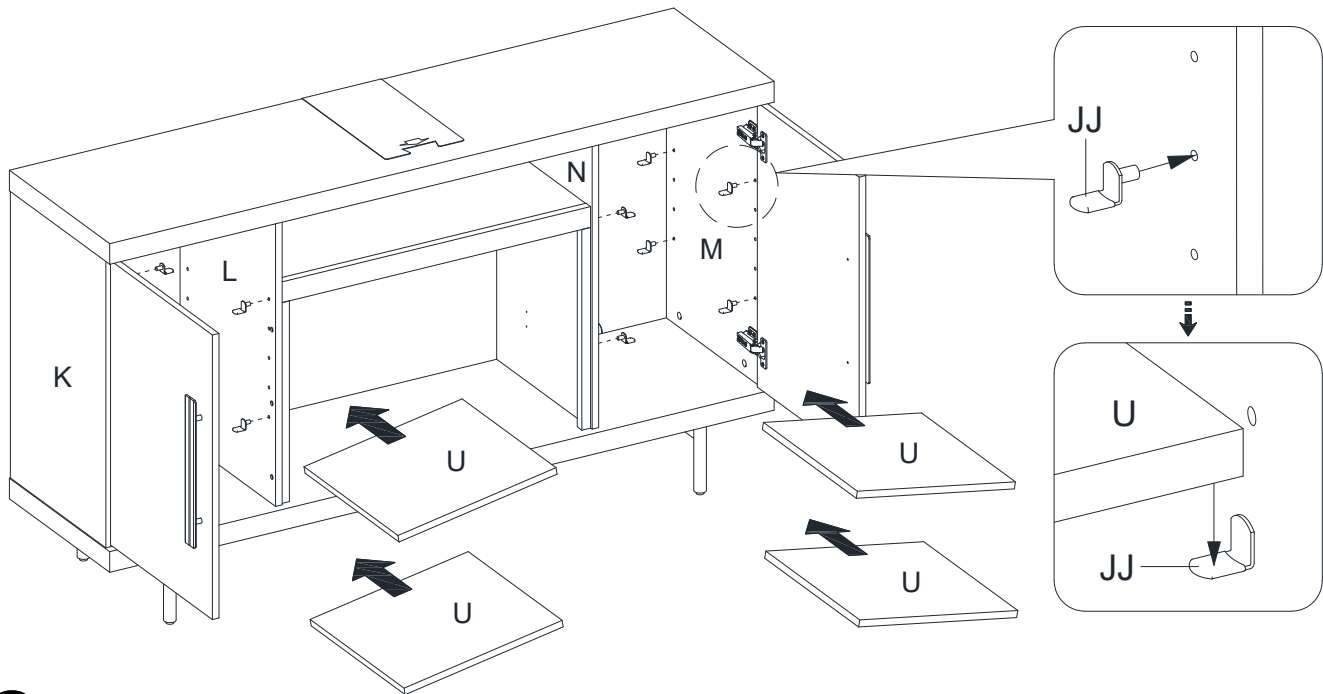
14 Fixer les panneaux de porte

- Demandez de l'aide pour soulever l'unité de montage debout et la positionner près de l'emplacement final.
- Levez la porte gauche (Z) et fixez les bases des charnières sur le panneau latéral inférieur gauche (K) avec huit vis en nickel (OO), utilisez les trous pilotes comme guide.
- Répétez le même processus avec la porte de droite (A1).
- Ouvrez et fermez les portes pour vous assurer qu'elles sont bien alignées et se ferment correctement. Si nécessaire, ajustez les vis du bras de charnière pour un meilleur ajustement.



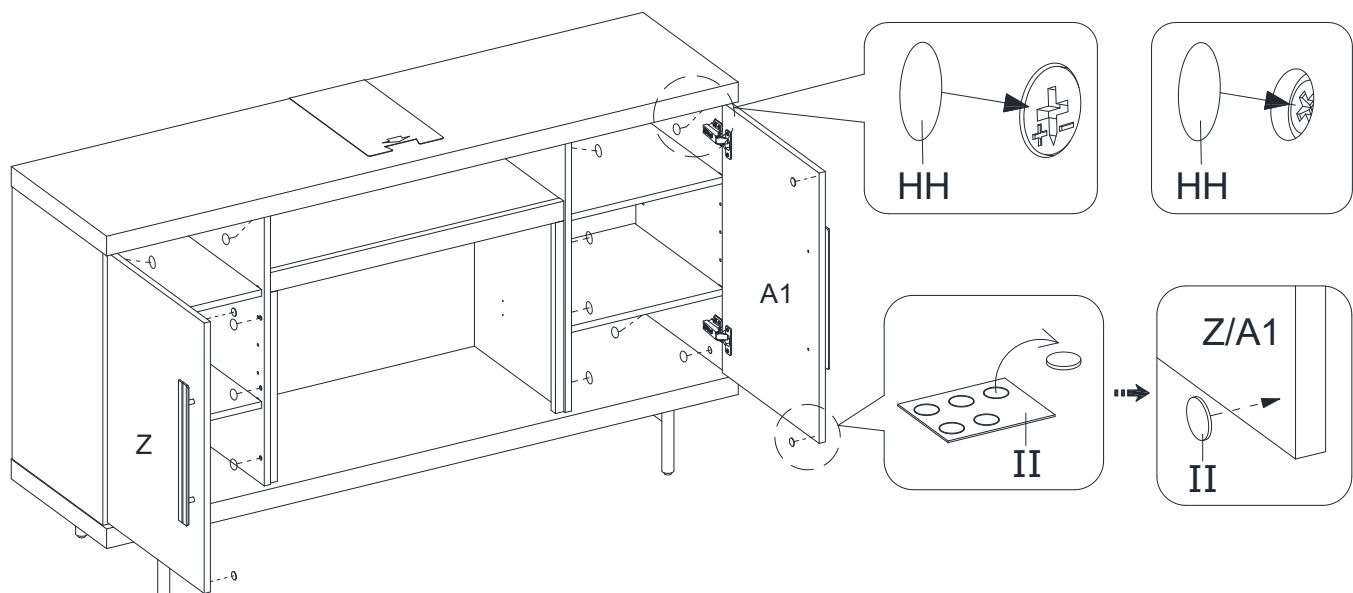
15 Installation des étagères réglables

- Ouvrez les portes et insérez huit supports d'étagère (JJ) dans les trous à la hauteur souhaitée à l'intérieur de chaque compartiment latéral. Assurez-vous de placer les quatre supports d'étagère au même niveau afin que l'étagère ne soit à niveau.
- Inclinez et posez les étagères réglables (U) sur les supports d'étagère (JJ).



16 Fixation de couvertures en papier et de butoirs

- Placez des autocollants en papier (HH) sur les verrous à came et les vis.
- Collez les pare-chocs en caoutchouc (II) sur les coins extérieurs des portes où les panneaux de séparation (L et N) sont en contact avec.



Assemblage (suite)

17 Fixation des bras verticaux

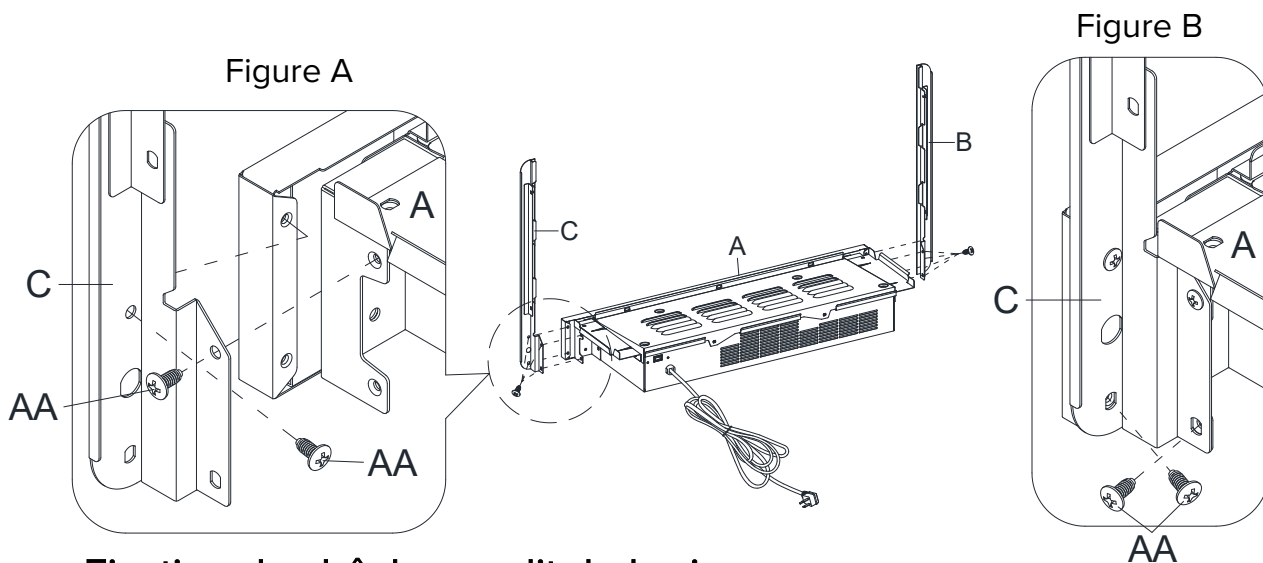


REMARQUE IMPORTANTE : assemblez le foyer encastrable avec un tournevis à main au lieu d'un tournevis électrique. Voir BILT pour les instructions video.

- Voir figure A : Serrez les 2 vis supérieures (AA) à travers le bras vertical (C) dans le radiateur (A) jusqu'à ce qu'elles soient bien serrées.
- Voir figure B : Serrez les 2 vis inférieures (AA) dans le radiateur (A) jusqu'à ce qu'elles soient bien serrées.
- Serrez complètement les 4 vis (AA) une dernière fois.
- Répétez le même processus avec l'autre bras vertical (B).



AVERTISSEMENT : Ne soulevez ou ne transportez pas le radiateur en utilisant les bras verticaux.

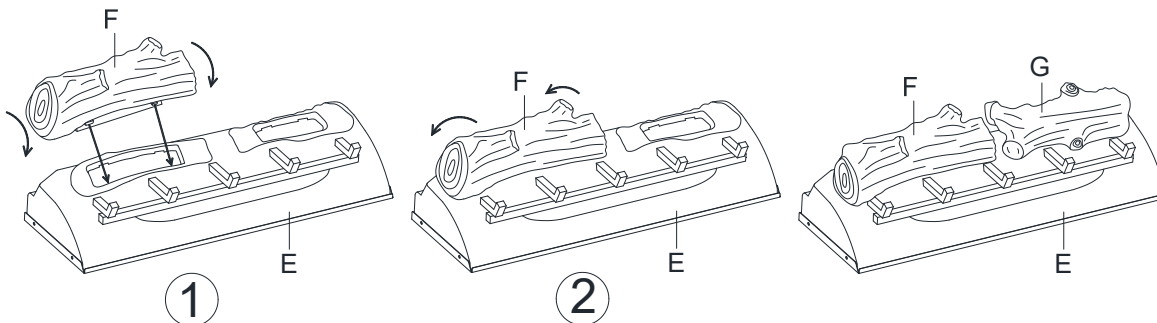


18 Fixation des bûches au lit de braises



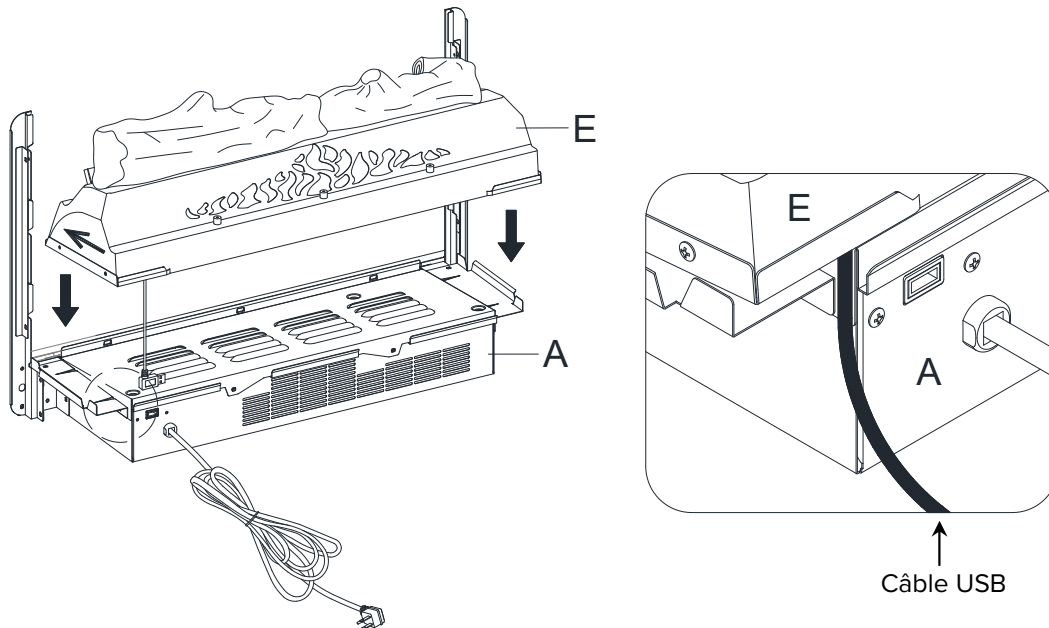
IMPORTANT : Suivez attentivement les 2 étapes ci-dessous pour insérer chaque bûche.

1. Installez la bûche gauche (F) dans le trou gauche du lit de braises (E) en insérant le bord avant de la base de la bûche dans les encoches avant du trou du lit de braises.
 2. Ensuite, inclinez la bûche vers l'arrière pour insérer le bord arrière de la base dans les encoches arrière du trou du lit de braises (Appuyez fermement pour verrouiller la bûche en position).
- Répétez le même processus avec la bûche droite (G).



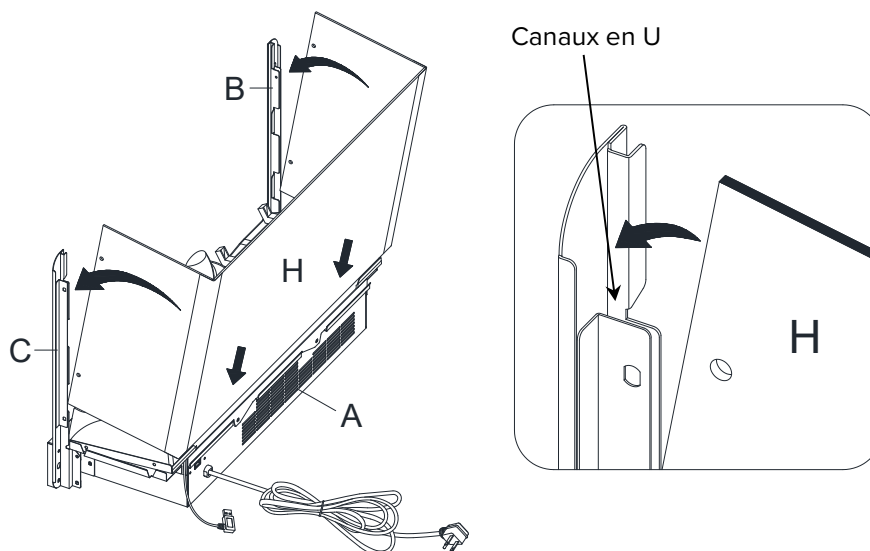
19 Positionnement du lit de braises

- Placez le lit de braises (E) sur le radiateur (A) comme illustré.
- Poussez le lit de braises vers l'avant contre la bride avant du radiateur.
- Positionnez le câble USB comme indiqué ci-dessous.



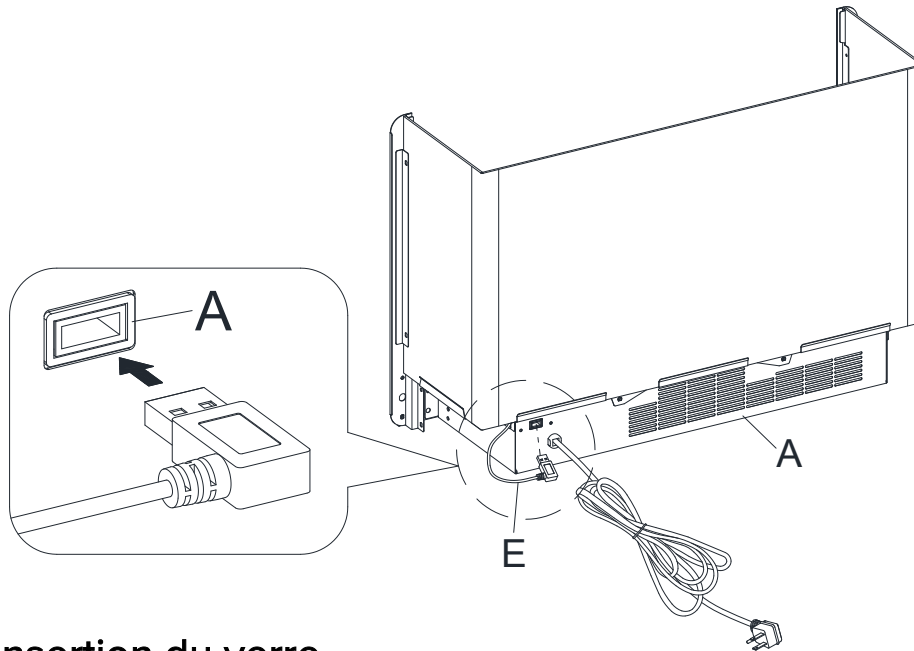
20 Fixation du panneau mural

- Pliez le panneau mural (H) comme illustré. Ensuite, faites face à l'arrière du radiateur (A).
- Tenez le panneau mural (H) à l'angle illustré ci-dessous et insérez le bord arrière inférieur dans les fentes métalliques à l'arrière du radiateur (A).
- Inclinez le panneau mural (H) vers l'avant jusqu'à ce que le coin inférieur s'insère dans les canaux en U inférieurs des deux bras verticaux (B et C).
- Continuez à incliner le panneau mural (H) vers l'avant jusqu'à ce que le coin supérieur s'insère dans les canaux en U supérieurs des deux bras verticaux (B et C).



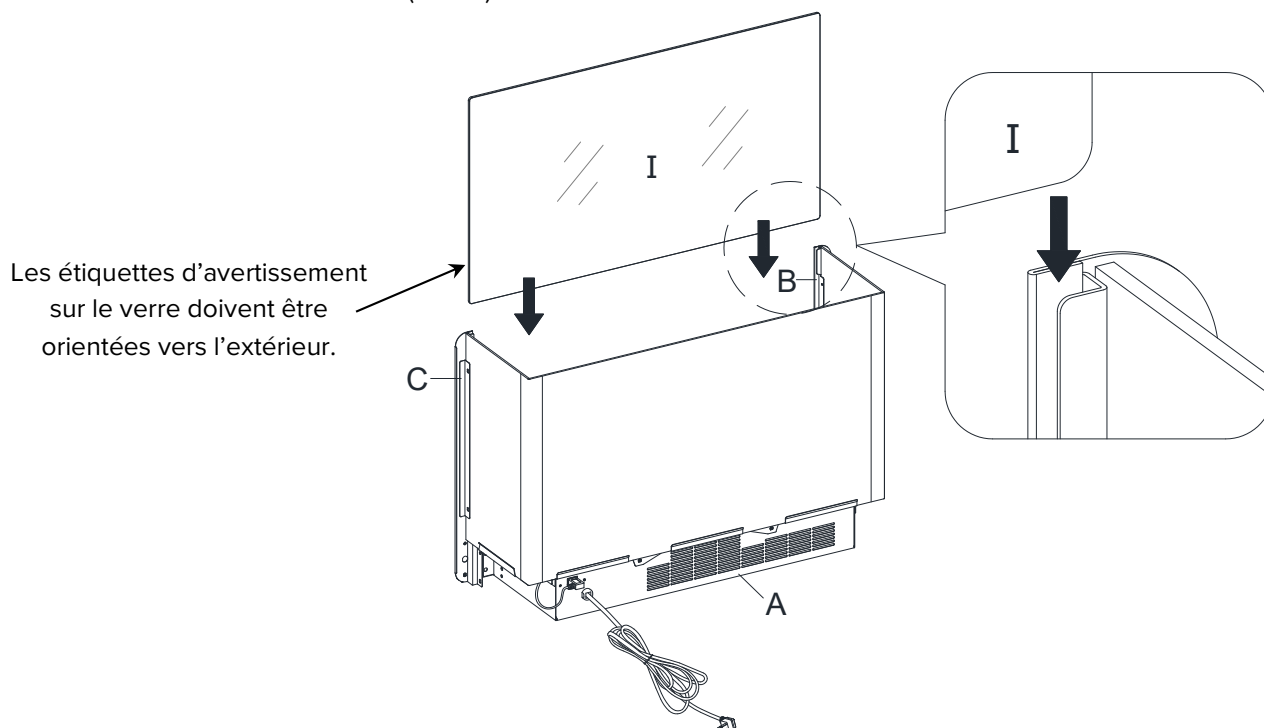
21 Connexion du câble du lit de braises au radiateur

- Branchez complètement le connecteur USB du lit de braises (E) dans le port arrière du radiateur (A).



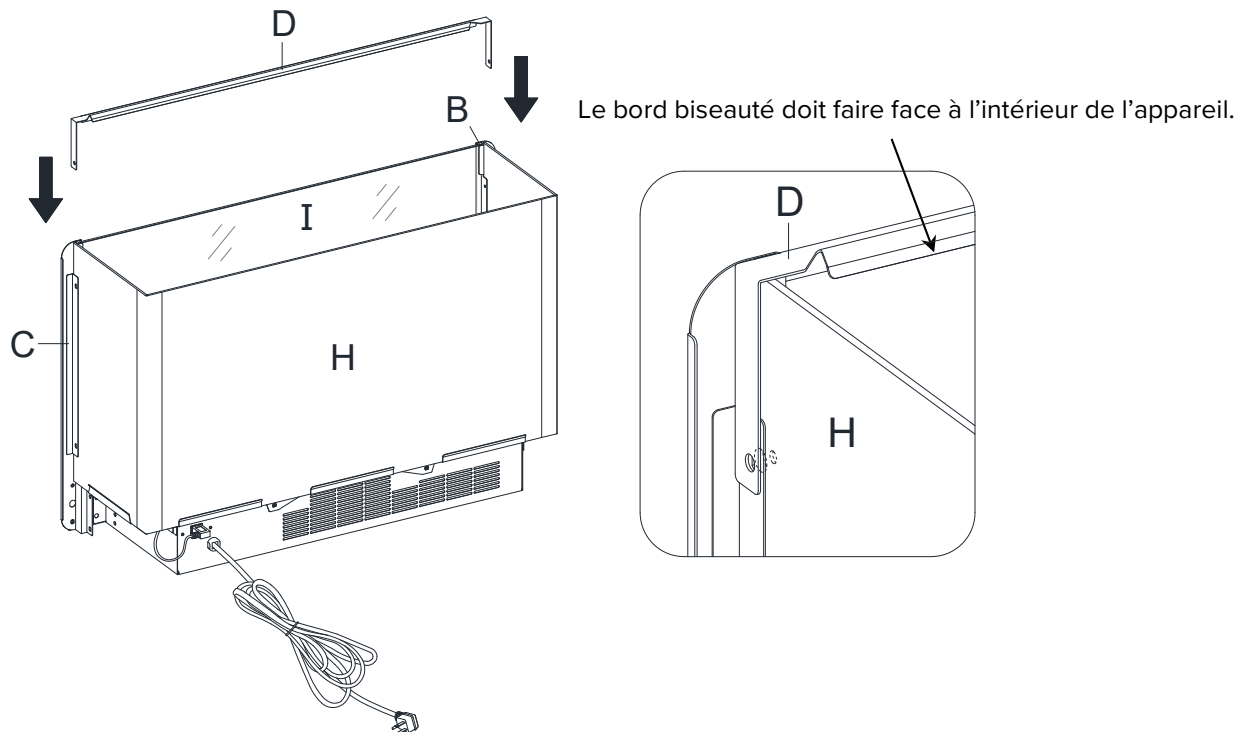
22 Insertion du verre

- Faites glisser le verre (I) dans les canaux en U intérieurs des deux bras verticaux (B et C) jusqu'à ce que le verre repose sur le radiateur. Si nécessaire, poussez sur le haut des bras verticaux vers l'intérieur ou vers l'extérieur afin que le verre puisse s'insérer facilement. Assurez-vous que le haut du verre (I) est aligné avec le haut des deux bras verticaux (B et C).



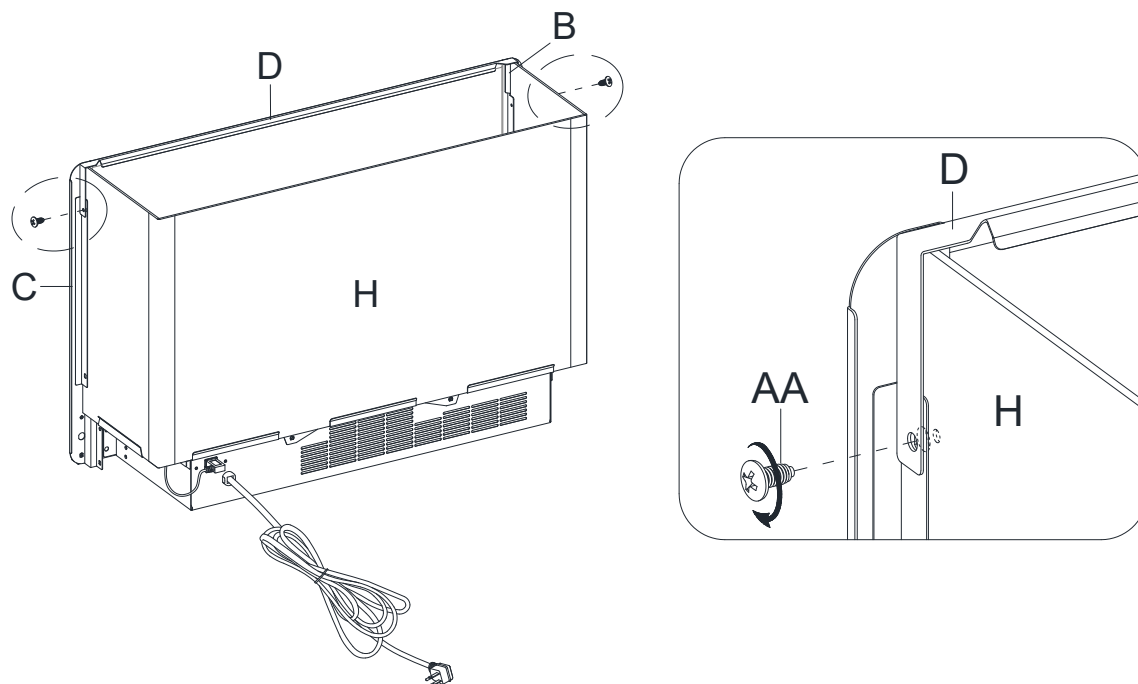
23 Positionnement de l'attache du connecteur

- Placez l'attache du connecteur (D) supérieur sur le verre (I) et les bras verticaux (B et C). Suivez l'orientation indiquée ci-dessous.



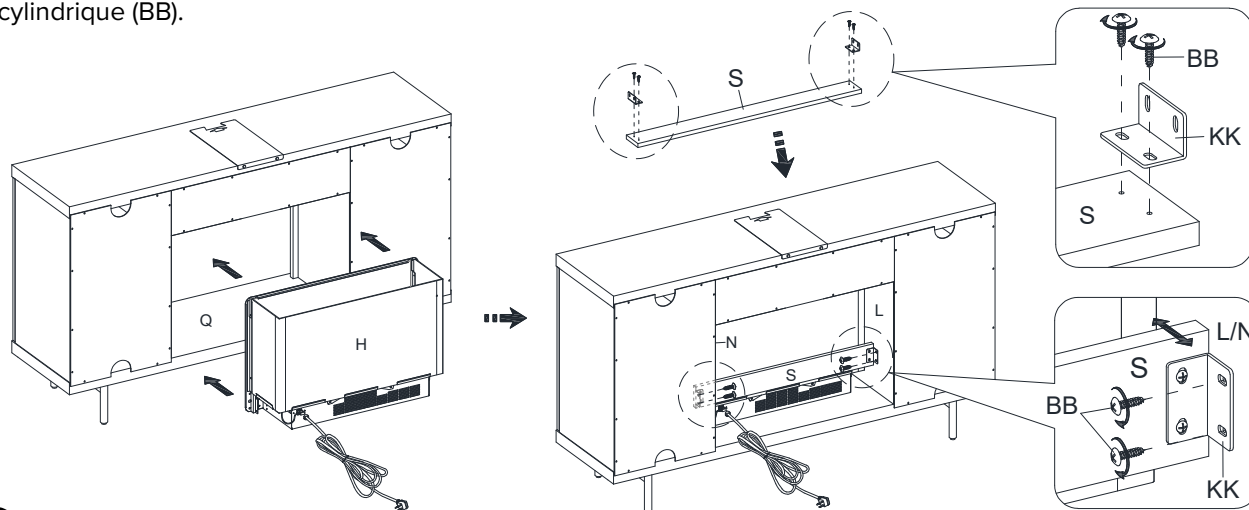
24 Fixation de l'attache du connecteur

- Fixez l'attache du connecteur (D) aux deux bras verticaux (B et C) à l'aide de deux vis (AA) comme indiqué ci-dessous. Les trous doivent être alignés pour que les vis puissent y passer.



25 Installation des l'insertion de cheminée

- Soulevez délicatement le foyer encastrable à l'arrière du manteau assemblé et centrez-le dans l'ouverture.
- Utilisez les trous pilotes comme guide, fixez deux supports métalliques en L (KK) sur le support de foyer (S) avec quatre vis à tête cylindrique (BB). Assurez-vous que le côté à angle droit du support métallique affleure le bord court du support de foyer (S).
- Utilisez les trous pilotes comme guide, fixez le support de foyer (S) entre les parois (L et N) avec quatre vis à tête cylindrique (BB).



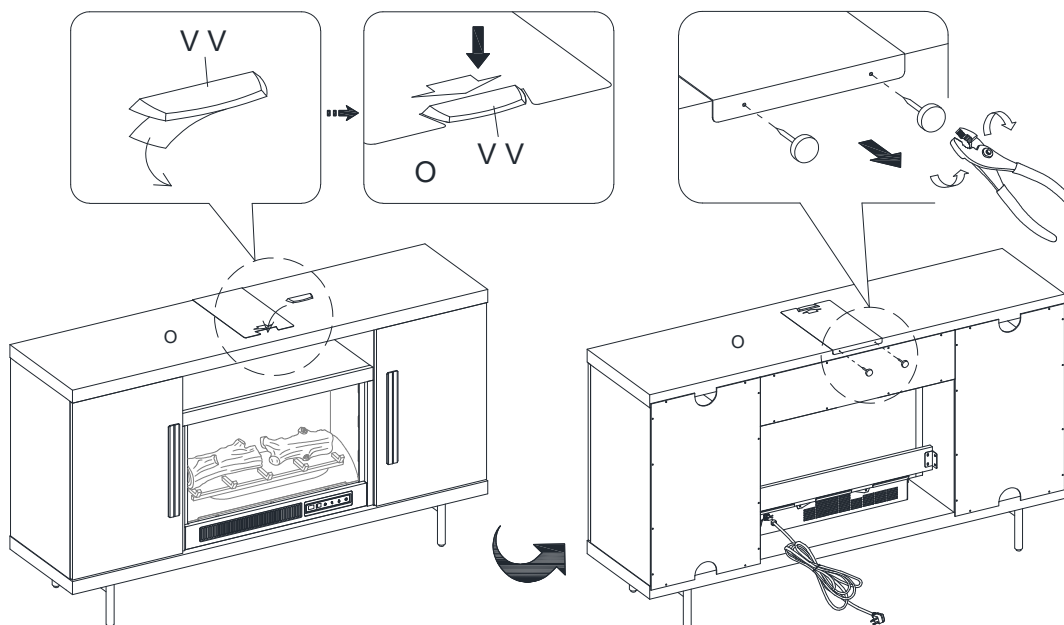
26 Installation des bouchons acryliques

- Retirez le papier adhésif du butoir acrylique (VV), puis alignez correctement le butoir acrylique sur la découpe du butoir sur le devant du panneau supérieur (O). Appuyez sur le butoir en acrylique pour faciliter l'adhérence.



REMARQUE : T Pour éviter que votre téléviseur ne bascule, vous devez installer le bouchon TV acrylique si vous placez un téléviseur à écran plat sur le panneau du haut. Sinon, passez à l'étape suivante.

- A l'arrière du panneau supérieur (O), retirez délicatement les punaises à l'aide d'une pince afin de retirer le butoir en acrylique.

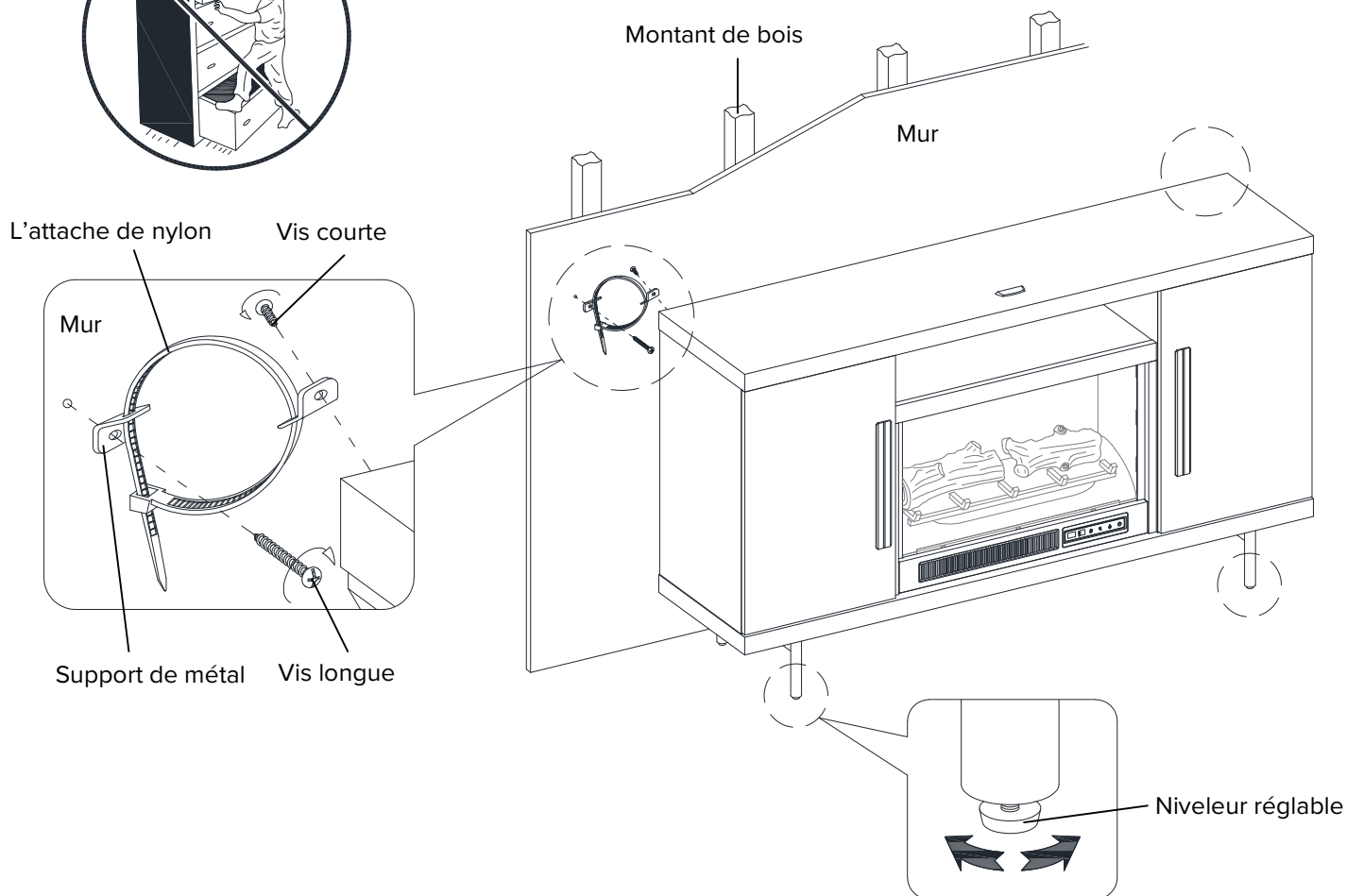


27 Installation de la quincaillerie antibasculement



AVERTISSEMENT : La quincaillerie antibasculement fournie est conçue pour les murs à montants de bois. Elle doit être fixée à un montant de bois. Selon le type de mur, des pièces d'ancrage différentes pourraient être requises. Veuillez communiquer avec votre quincaillier pour obtenir de l'assistance. Les jeunes enfants peuvent se blesser grièvement si le meuble bascule. La trousse antibasculement doit être installée pour prévenir la chute du meuble causant des accidents ou des dommages à l'unité. Les trousse antibasculement ne servent que de dissuasifs et ne remplacent pas une supervision adulte adéquate. Les trousse antibasculement ne résistent pas aux tremblements de terre. Pour plus de sûreté en cas de tremblement de terre, des dispositifs particuliers doivent être achetés et installés séparément.

- Faites-vous aider pour placer le foyer assemblé à l'endroit désiré contre un mur. Si nécessaire, réglez les molettes des niveleurs de sol installés à la main pour corriger l'inclinaison et le niveau des portes, jusqu'à ce que l'appareil soit de niveau.
- Suivez les instructions imprimées sur le sac en plastique contenant la quincaillerie de retenue basculante pour fixer les dispositifs de retenue à l'appareil et au mur.
- Branchez le foyer au transformateur de puissance. Suivez le manuel d'utilisation de l'insert électrique du foyer pour contrôler votre foyer.



Entretien

Un crayon à retouche est fourni pour minimiser les petites marques ou éraflures pouvant survenir lors du montage ou de l'expédition.

Entretien de votre meuble :

- Utilisez un tissu doux et propre qui n'égratignera pas la surface lors de l'époussetage.
- Il n'est pas nécessaire d'utiliser de la cire à meubles. Si vous décidez de le faire, appliquez d'abord le produit sur une zone invisible du meuble.
- L'utilisation de solvants, quels qu'ils soient, sur votre meuble peut endommager le fini.
- N'utilisez jamais d'eau pour nettoyer votre meuble, car elle pourrait endommager le fini.
- Utilisez toujours des sous-verres sous les verres de boisson et les pots de fleurs.
- Le liquide renversé doit être essuyé immédiatement. Asséchez le liquide doucement avec un tissu propre et doux. Évitez de frotter.
- Utilisez toujours des sous-plats sous les plats chauds et les assiettes. La chaleur peut provoquer des changements chimiques pouvant causer l'apparition de tâches sur le fini du meuble.
- Si votre meuble est taché ou endommagé, nous vous recommandons de faire appel à un professionnel pour le réparer.
- Vérifiez les boulons/vis périodiquement et serrez-les au besoin.

ENTRETIEN DE VOTRE MEUBLE EN BOIS

Il est préférable d'installer votre meuble dans un environnement climatisé. Des écarts extrêmes de température et d'humidité peuvent causer le pâlissement, le gauchissement, le rétrécissement et le fendillement du bois. Il est conseillé de mettre le meuble à l'abri de la lumière directe du soleil, car le soleil peut endommager le fini.

Un entretien et un nettoyage appropriés à la maison prolongeront la durée de vie de votre meuble. Suivez ces conseils importants et pratiques pour que votre meuble s'améliore avec l'âge.

NETTOYAGE DE LA GARNITURE DU FOYER

Nettoyez la garniture de métal avec un chiffon doux humecté avec un produit à base d'huile d'agrumes et polissez avec un chiffon propre et doux. ÉVITEZ D'UTILISER un produit de polissage pour le laiton ou un produit d'entretien ménager, car ils endommageraient la garniture de métal. Vous pouvez vous procurer des produits à base d'huile d'agrumes dans les supermarchés ou les quincailleries.



AVERTISSEMENT

- L'unité doit être placée sur une surface plane ou nivelée avec la quincaillerie incluse (le cas échéant).
- Veuillez ne pas vous asseoir ou vous tenir debout sur le produit assemblé, et ne permettez pas aux enfants de grimper, de s'asseoir ou de se tenir debout sur le produit assemblé.
- Pour des raisons de sécurité, cette unité doit être fixée au mur.
- Sinon, l'unité peut basculer et causer des blessures graves ou la mort.
- N'ouvrez jamais plus d'un tiroir à la fois.
- Ne dépassez pas les limites de poids recommandées.
- Avant de couper, de percer ou de marteler une surface de mur ou de sol, vérifiez l'emplacement des conduites électriques, de plomberie et de gaz. La coupe incorrecte peut causer des blessures graves.

SCOTT  LIVING™

BY DREW & JONATHAN



Nous ne sommes satisfaits que si vous l'êtes, c'est pourquoi nous offrons une Garantie Love It de 30 jours. Si, pour une raison quelconque, vous n'aimez pas votre produit Scott Living, vous pouvez le retourner dans votre magasin, dans un délai de 30 jours à compter de la date figurant sur votre reçu pour un remboursement complet - sans poser de questions.

LA POLITIQUE DE RETOUR POUR LES ARTICLES PERSONNALISÉS PEUT VARIER. VEUILLEZ VÉRIFIER AUPRÈS DE VOTRE DÉTAILLANT POUR PLUS DE DÉTAILS.

Vous avez des questions ou des problèmes? Certaines pièces sont manquantes? Avant de vous rendre au magasin, communiquez avec le service à la clientèle de

1-866-942-5362

Heure normale du Pacifique, entre 8 h 30 et 16 h 30, du lundi au vendredi

Vous pouvez également visiter notre site Web 24 heures par jour, 7 jours sur 7 pour obtenir de l'aide sur le produit www.whalenfurniture.com

ou transmettre une demande par courriel à parts@whalenfurniture.com

Conservez ce manuel comme référence future.

SCOTT  LIVING™

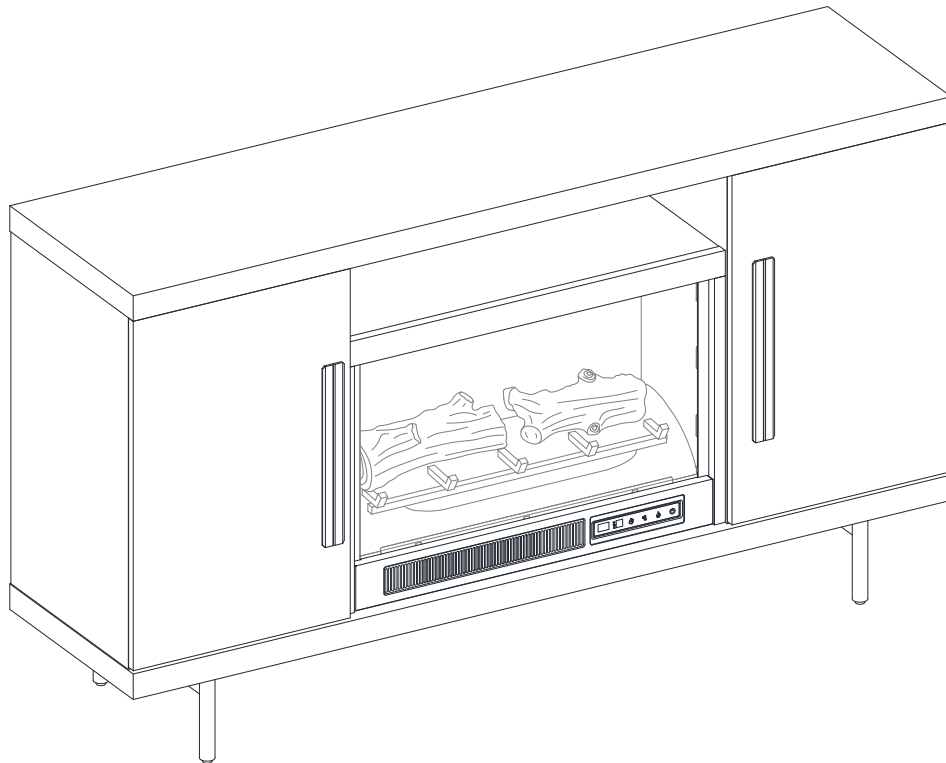
BY DREW & JONATHAN

OMSID # 320643189
320643190

Modelo # HDLFP60L-3A
HDLFP60L-3B

INSTRUCCIONES DE ENSAMBLE

CONSOLA DE 60" CON CHIMENEA ELÉCTRICA INFRARROJA PARA MEDIOS CESTONI



Preguntas, problemas, partes que falten? Antes de regresar a la tienda,
llame al servicio al cliente

1-866-942-5362

Hora estándar del Pacífico: 8:30 a.m. - 4:30 p.m., de Lunes a Viernes

O visite nuestra página de Internet 24 horas al día, 7 días a la semana para asistencia

www.whalenfurniture.com

O mande un correo electrónico a **parts@whalenfurniture.com**

GRACIAS

Apreciamos la confianza y confidencia que ha puesto en Scott Living por Drew & Jonathan a través de la compra de esta chimenea/calentón eléctrico. Nos esforzamos para crear productos de calidad diseñados para mejorar su casa. Visítenos en línea para ver nuestra línea complete de productos disponibles para sus necesidades de mejorar su casa.

¡Gracias por escoger Scott Living por Drew & Jonathan!

Lista de contenidos


Lista de contenidos..... 2
Información de seguridad..... 2
 Maximo peso recomendado 2
Garantía 2
Pre-ensamble 2
 Planeando el ensamble..... 2
 Herramientas requeridas 2

Ferretería incluida..... 3
Contenidos del paquete 4
Ensamble..... 5
Cuidados y mantenimiento..... 19
 Cuidados y mantenimiento 19
 Limpiando el borde de la chimenea..... 19

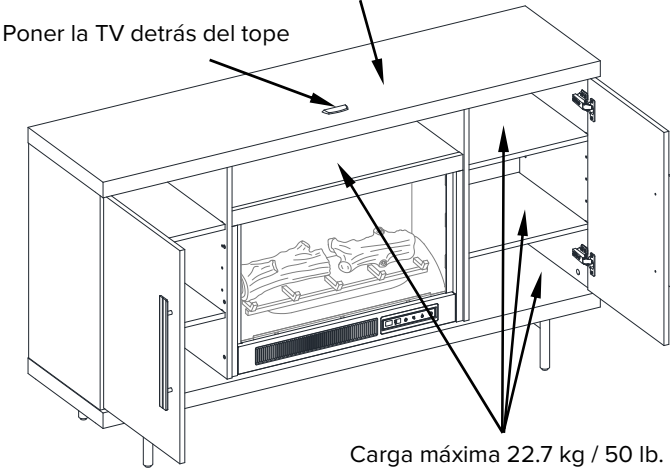
Información de seguridad

Por favor lea y entienda estas instrucciones antes de ensamblar y usar esta consola. Guarde estas instrucciones para referencia futura.

MAXIMO PESO RECOMENDADO

 **AVISO:** Esta unidad no debe utilizarse con televisiones CRT o de tubo. Utilizarse únicamente con televisiones de pantalla plana y equipo de audio/video que tenga la medida/peso recomendado. Nunca utilizar con televisiones más grandes/pesadas de las recomendadas. Para evitar inestabilidad colóquela en el centro de la unidad; la base de la televisión debe de reposar sobre la superficie de soporte de la unidad sin rebasar las orillas. Las televisiones de pantalla plana colocadas inapropiadamente, o las televisiones de pantalla plana incluyendo equipo que sobrepasa las medidas y pesos recomendados pueden caerse y/o romper la unidad, causando posibles daños o lesiones.

Para la mayoría de las televisiones con pantalla plana en diagonal del 177.8 cm / 70 pulgadas
Carga máxima 36.3 kg / 80 lb.



Garantía

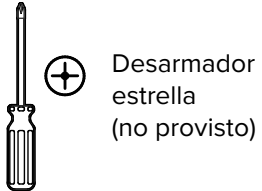
Estamos confiados de que va a estar encantado con su compra. Si el producto es defectivo en el ensamblaje o en los materiales, o falla dentro del uso normal, nosotros lo repararemos o lo re-emplazaremos hasta por un año a partir de la fecha de compra. Está garantía le proporciona derechos legales específicos y talvez tenga otros derechos que varían de estado a estado. Contacte al equipo de servicio al cliente al 1-866-942-5362 o visite www.whalenfurniture.com.

Pre-ensamble

PLANEANDO EL ENSAMBLE

Comparar todas las partes con la lista de ferretería incluida y contenido del paquete. Si alguna parte parece estar perdida o dañada, no ensamble este producto y contacte al equipo de servicio al cliente al 1-866-942-5362.

HERRAMIENTAS REQUERIDAS

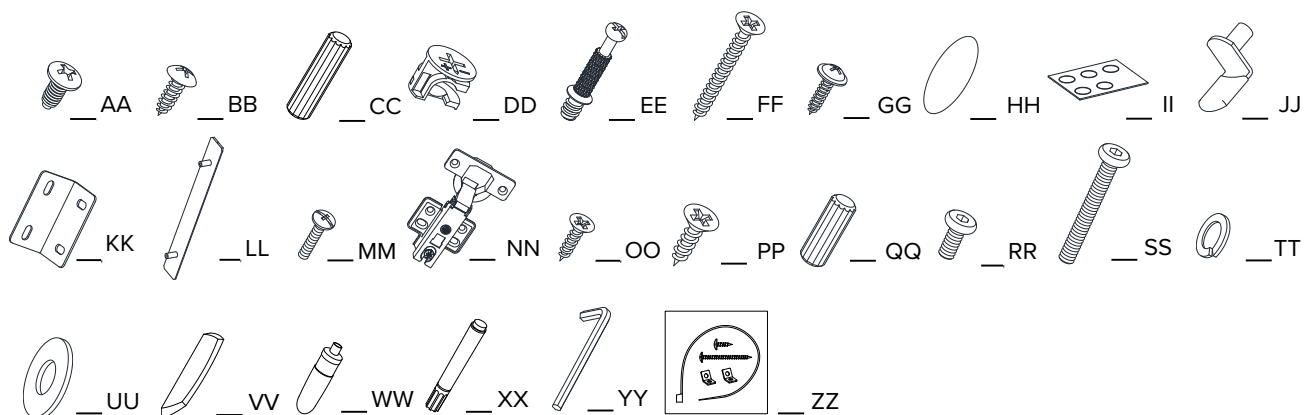


Pre-ensamble (continuación)

FERRETERÍA INCLUIDA



NOTA: La ferretería no está mostrada al tamaño real.

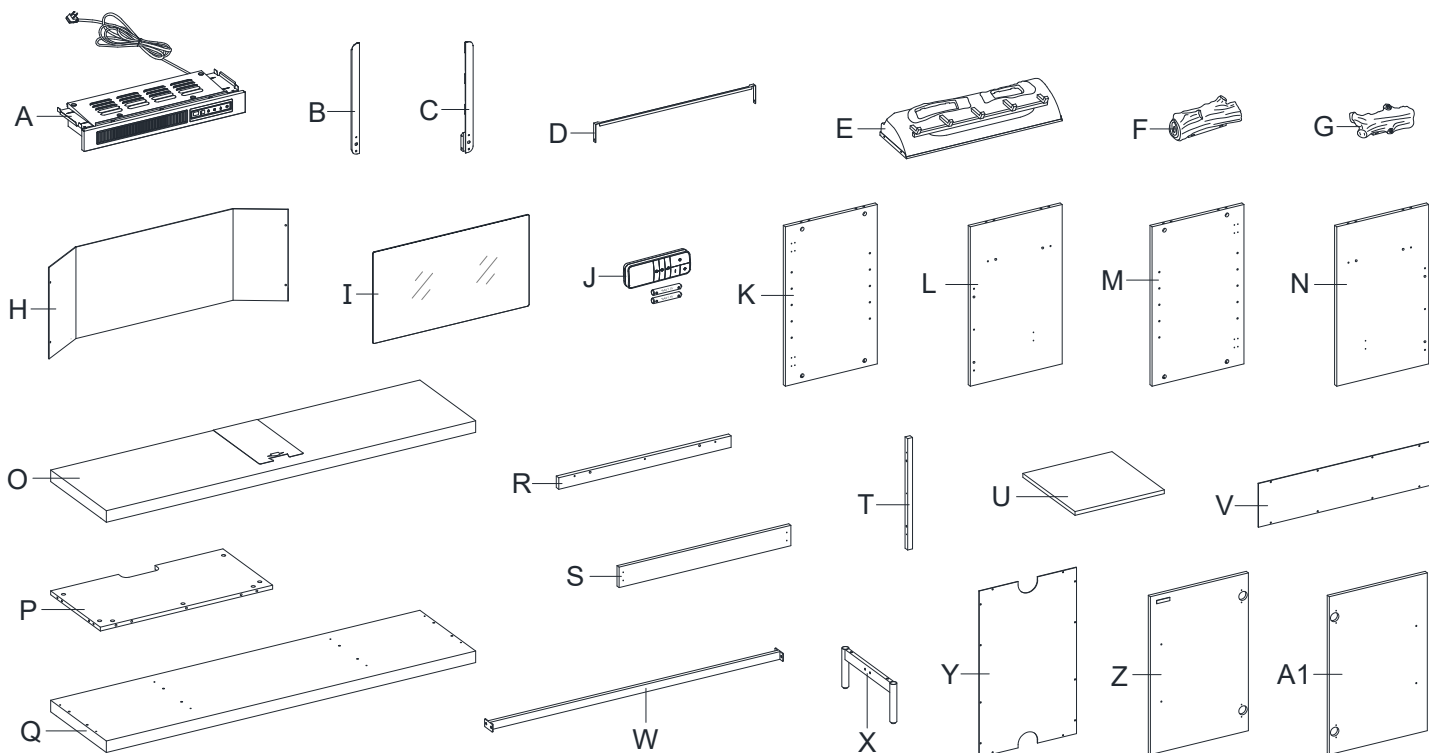


Parte	Descripción	Cantidad
AA	Perno para insertar	10+1 extra
BB	Perno de cabeza redonda	8+1 extra
CC	Clavija de madera larga	22+1 extra
DD	Tuerca de fijación	19+1 extra
EE	Perno de fijación	19+1 extra
FF	Perno de cabeza plana largo	4+1 extra
GG	Perno de cabeza de arandela	32+1 extra
HH	Etiqueta de papel	19+1 extra
II	Tope de plástico	4+1 extra
JJ	Soporte para repisa	16+1 extra
KK	Soporte L	2
LL	Manija	2
MM	Perno para manija	4
NN	Bisagra	4

Parte	Descripción	Cantidad
OO	Perno de níquel para bisagra	24+1 extra
PP	Perno de cabeza plana corto	6+1 extra
QQ	Clavija de madera corta	4+1 extra
RR	Perno corto	4+1 extra
SS	Perno largo	4+1 extra
TT	Arandela de presión	8+1 extra
UU	Arandela plana	8+1 extra
VV	Tope de acrílico	1
WW	Pegamento	1
XX	Plumón (No incluido para HDSLFP60L-3B)	1
YY	Llave hexagonal	1
ZZ	Juego de restricción de movimiento	2

Pre-ensamble (continuación)

CONTENIDO DEL PAQUETE



Parte	Descripción	Cantidad
A	Calentón	1
B	Brazo izquierdo vertical	1
C	Brazo derecho vertical	1
D	Correa conectora	1
E	Lecho de brasas	1
F	Tronco izquierdo	1
G	Tronco derecho	1
H	Panel puerta de la caja de fuego	1
I	Vidrio de la caja de fuego	1
J	Control remoto con batería	1
K	Panel izquierdo	1
L	Panel divisor izquierdo	1
M	Panel derecho	1
N	Panel divisor derecho	1

Parte	Descripción	Cantidad
O	Panel superior	1
P	Repisa media	1
Q	Panel inferior	1
R	Soporte medio	1
S	Soporte de la caja de fuego	1
T	Borde medio	2
U	Repisa ajustable	4
V	Panel medio posterior	1
W	Soporte inferior	1
X	Pata lateral	2
Y	Panel lateral posterior	2
Z	Puerta izquierdo	1
A1	Puerta derecha	1

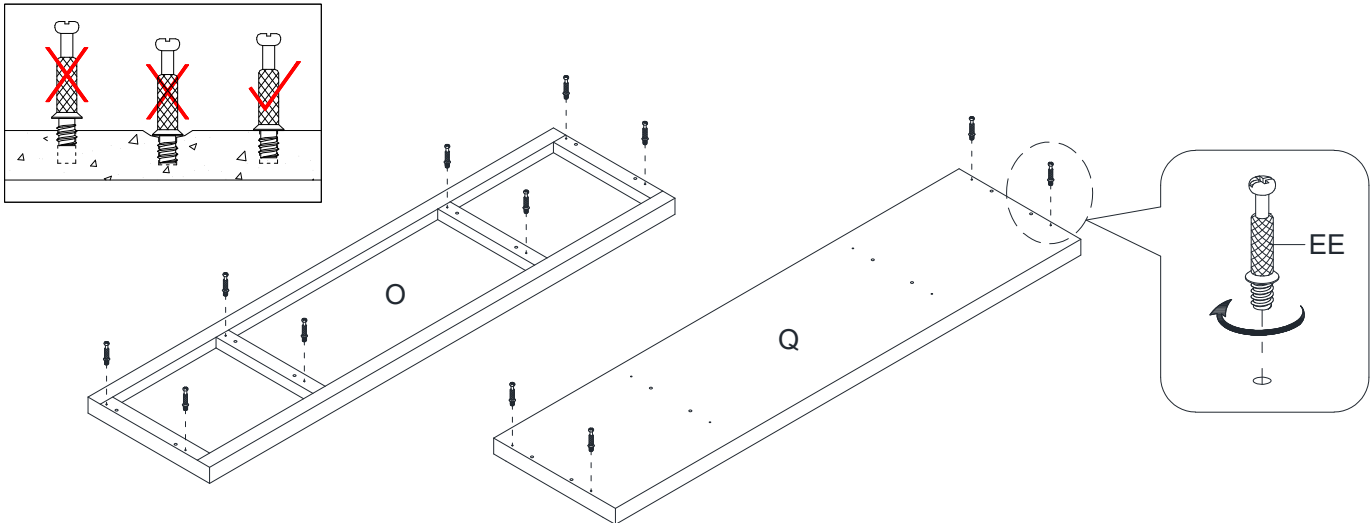
Ensamble

1 Preparando los paneles superior e inferior



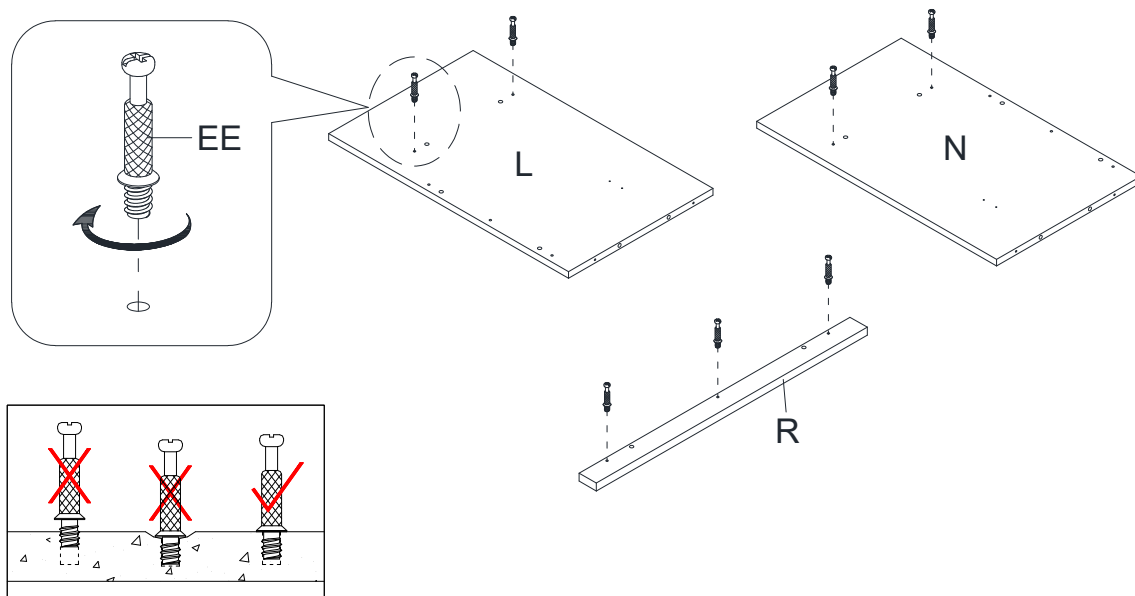
NOTA: Por favor no apriete completamente todos los pernos, hasta que termine con el ensamble de las partes. Después asegúrese de apretar todos los pernos. Esto hará el ensamble más fácil.

- Desempacar la unidad y confirmar que se tiene todo el material de ferretería y partes requeridas. Ensamblar la unidad en un piso alfombrado o en el cartón vacío para evitar rasguños.
- Atornillar los pernos de fijación (EE) en los agujeros pequeños designados en el superior (O) y en el panel inferior (Q) usando el desarmador estrella.



2 Preparando el ensamble de los paneles divisores y el soporte medio

- Atornillar los pernos de fijación (EE) en los agujeros pequeños designados en los paneles divisores (L y N) y en la repisa media (R) usando el desarmador estrella.



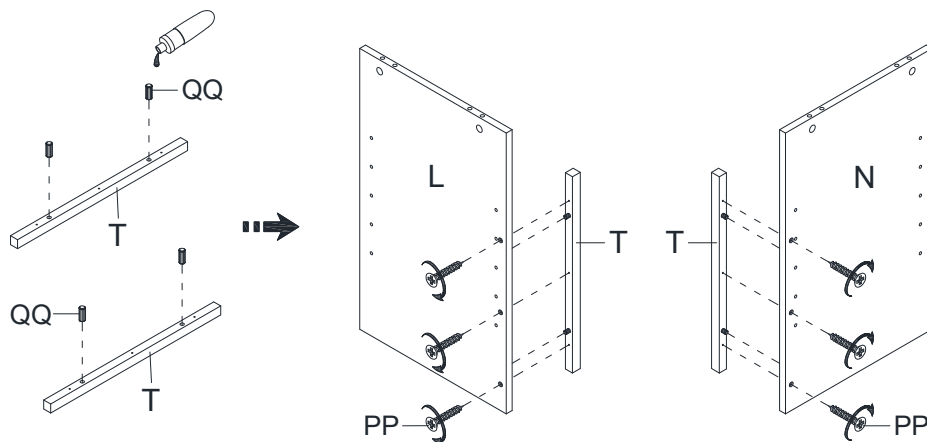
Ensamble (continuación)

3 Adjuntando los bordes medios

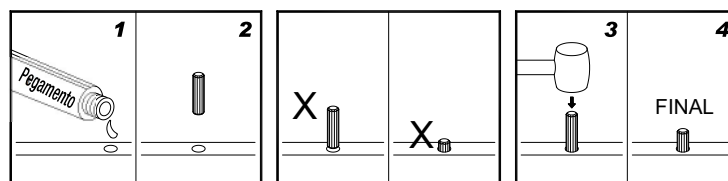


NOTA: Consultar los dibujos guías de las clavijas en este paso para aclarar como pegar apropiadamente las clavijas de madera. Aplique este metodo cuando sea instruido a instalar clavijas de madera.

- Pegar 4 clavijas de madera cortas (QQ) en los agujeros designados en ambos bordes medios (T). Es bien importante usar una cantidad pequeña de pegamento en ambos lados de las clavijas y limpiar el exceso de pegamento inmediatamente.
- Adjuntar los bordes medios (T) a los paneles divisores (L y N) respectivamente con 3 pernos de zabeza plana cortos (PP) por borde.

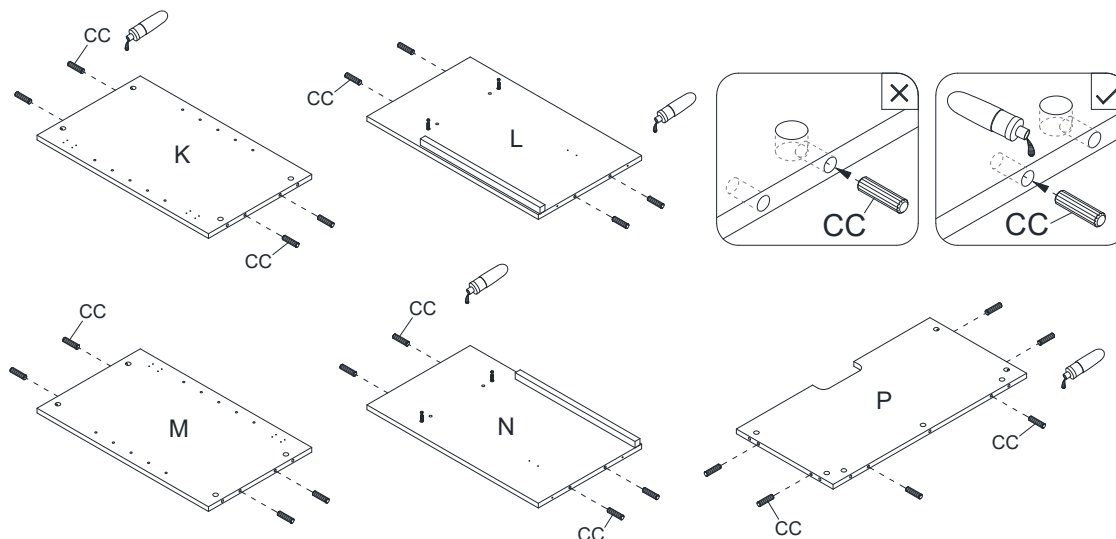


La guía de ensamble de clavijas



4 Pegando las clavijas de madera

- Pegar las clavijas de madera largas (CC) en los agujeros designados en los paneles verticales (K, L, M y N) y en la repisa media (P).



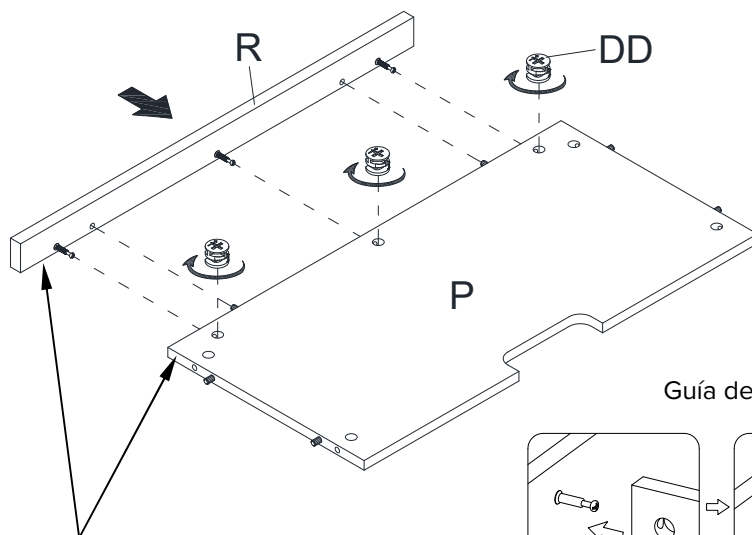
Ensamble (continuación)

5 Adjuntando el soporte medio



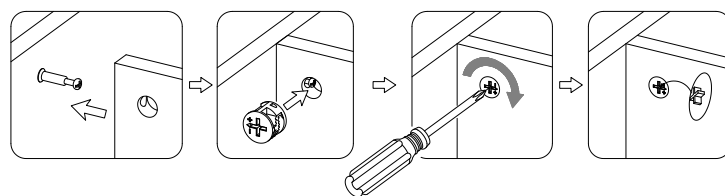
NOTA: Consultar los dibujos guías de las tuercas de fijación en este paso para aclarar como pegar apropiadamente las tuercas de fijación. Aplique este método cuando sea instruido a instalar tuercas de fijación.

- Alinear y adjuntar el soporte medio (R) a la repisa media (P) empleando 3 tuercas de fijación (DD).



Los bordes superiores están nivelados.

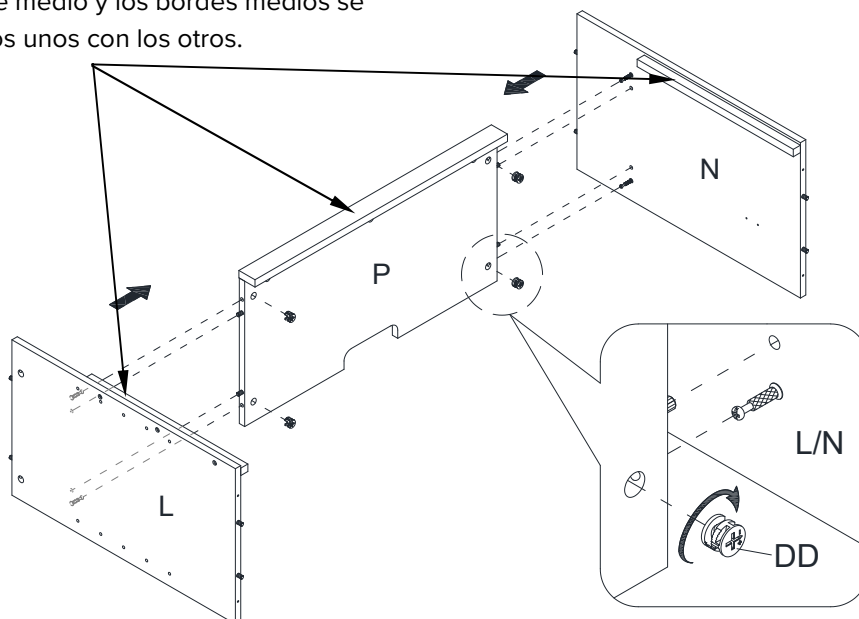
Guía de ensamble de la tuerca de fijación



6 Adjuntando la repisa media

- Alinear y adjuntar la repisa media (P) entre los paneles divisores (L y N) empleando 4 tuercas de fijación (DD).

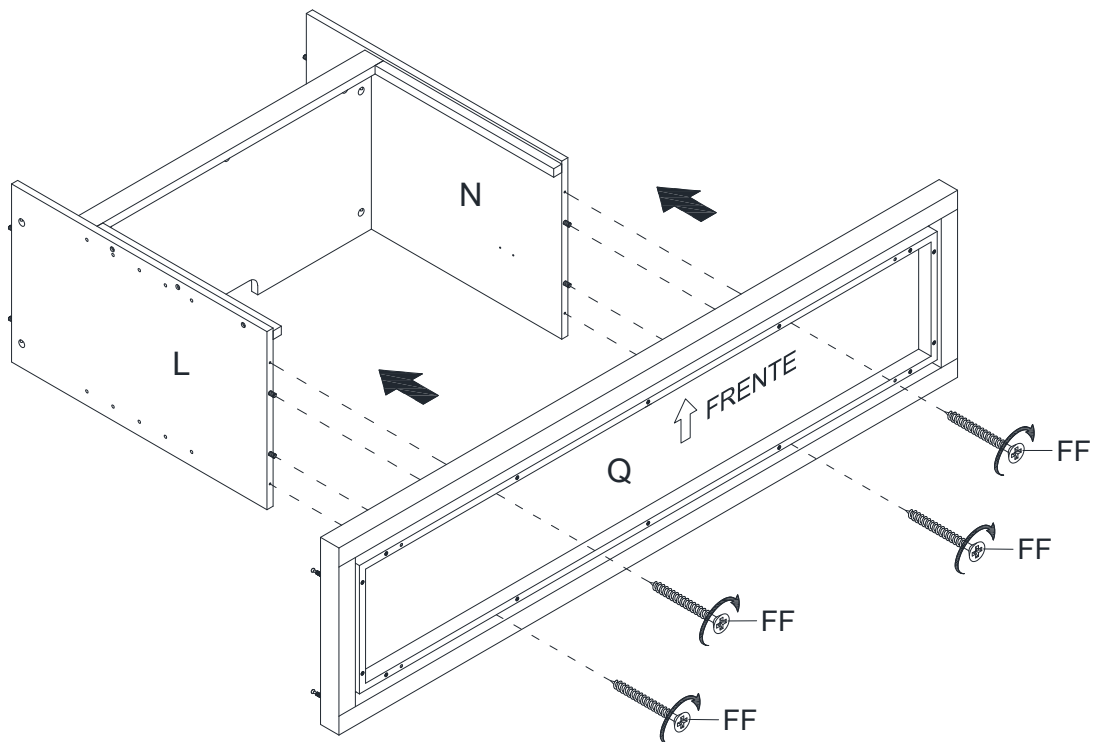
El soporte medio y los bordes medios se alinean los unos con los otros.



Ensamble (continuación)

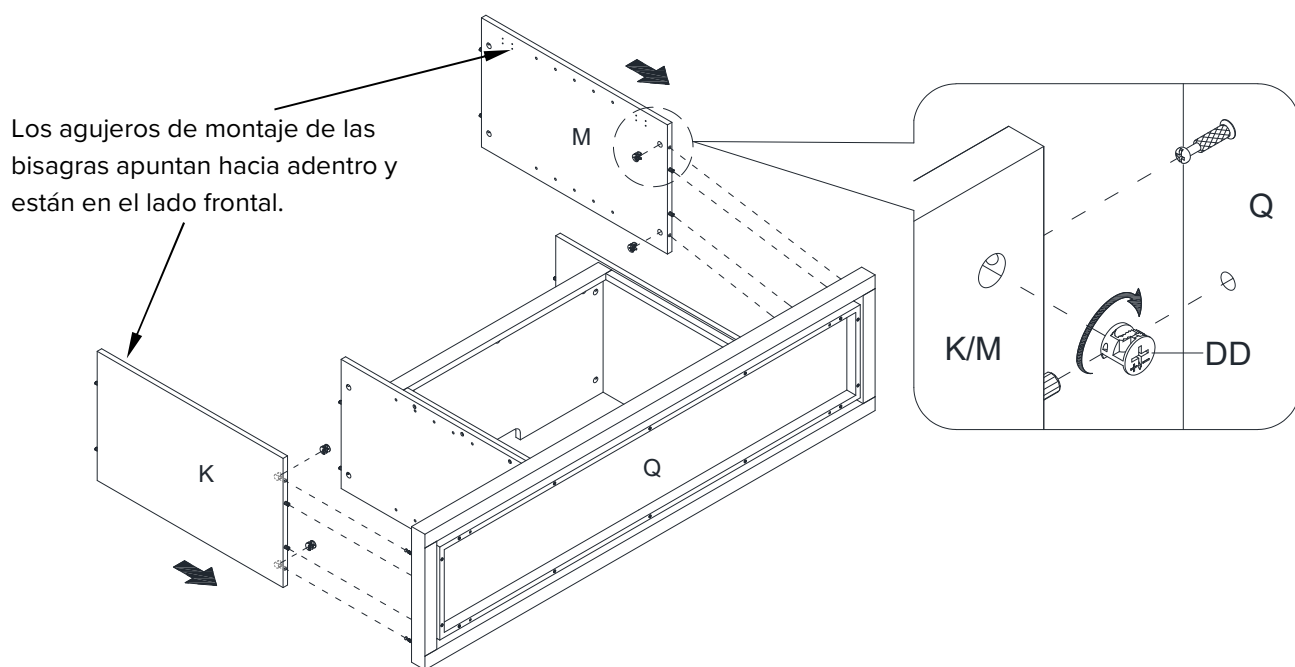
7 Adjuntando los paneles divisores

- Usando las clavijas de madera como guía, adjuntar el ensamblado previo al panel inferior (Q) con 4 pernos de cabeza plana largos (FF) como se muestra.



8 Adjuntando los paneles laterales

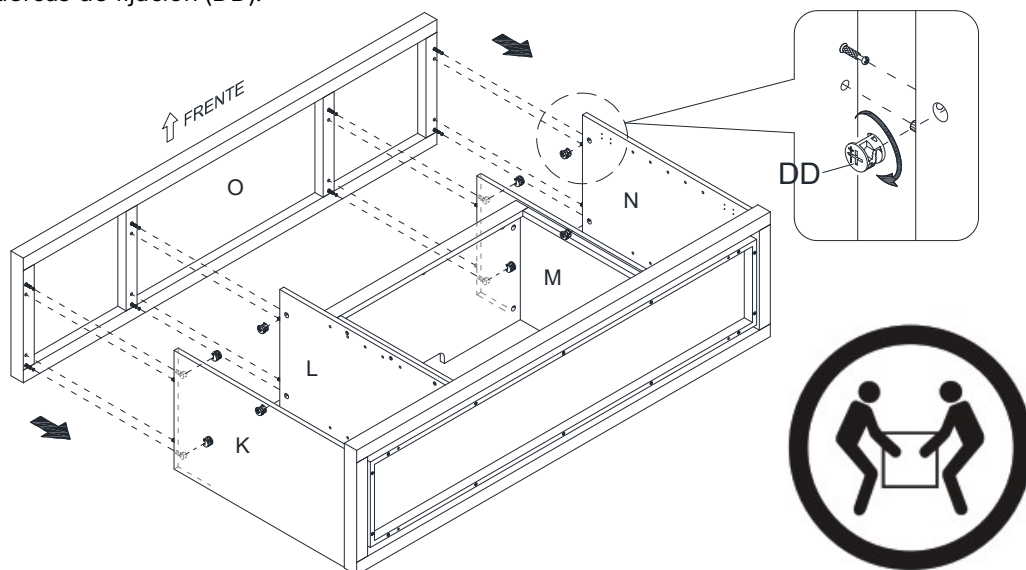
- Orientar y adjuntar los paneles laterales (K y M) al panel inferior (Q) empleando 4 tuercas de fijación (DD).



Ensamble (continuación)

9 Adjuntando el panel superior

- Pedir asistencia para poner el panel superior (O) sobre el ensamblado previo apropiadamente y sujetar en su lugar con 8 tuercas de fijación (DD).

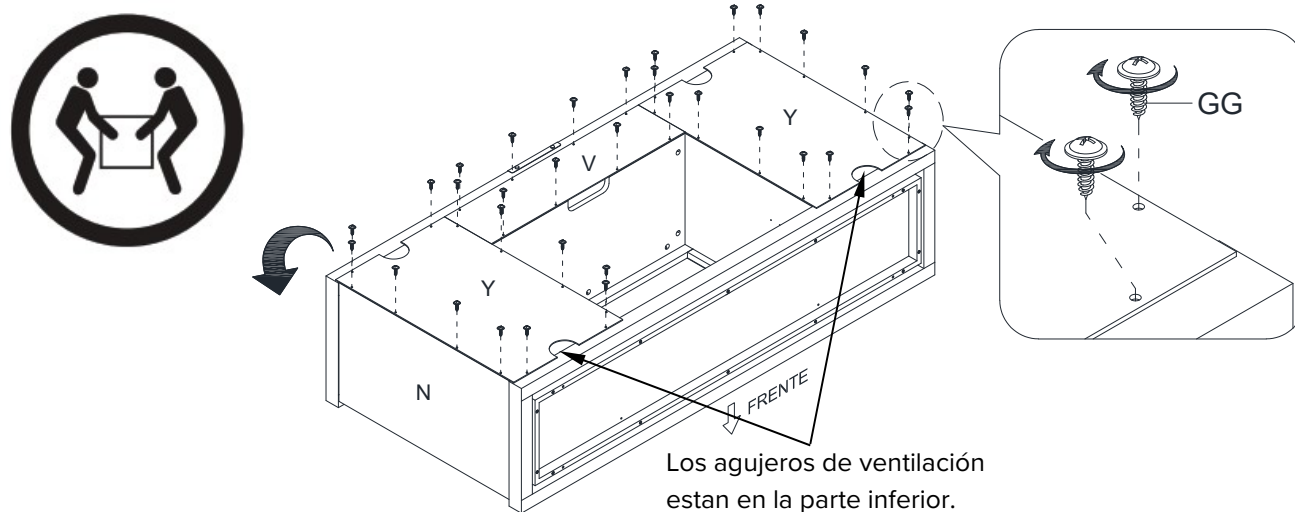


10 Adjuntando los paneles posteriores

- Ahora, volver y apretar todas las tuercas de fijación y los pernos. Asegurar que todas las partes estén apretadas y de que no hay huecos entre las partes. Esto ayudara a mantener la unidad cuadrada.
- Pedir asistencia para voltear el ensamblado previo en sus bordes frontales.
- Tomar el panel medio posterior (V) y alinear los agujeros pre-perforados contra el borde superior largo con los agujeros pilotos en la parte posterior del panel superior (O). Adjuntar en su lugar usando los pernos de cabeza de arandela (GG).
- Usando los agujeros pilotos como guía, alinear y adjuntar los paneles laterales posteriores (Y) al delantal con los pernos de cabeza de arandela provistos (GG).



NOTA: Recomendamos adjuntar el panel posterior con pernos en las esquinas primero.

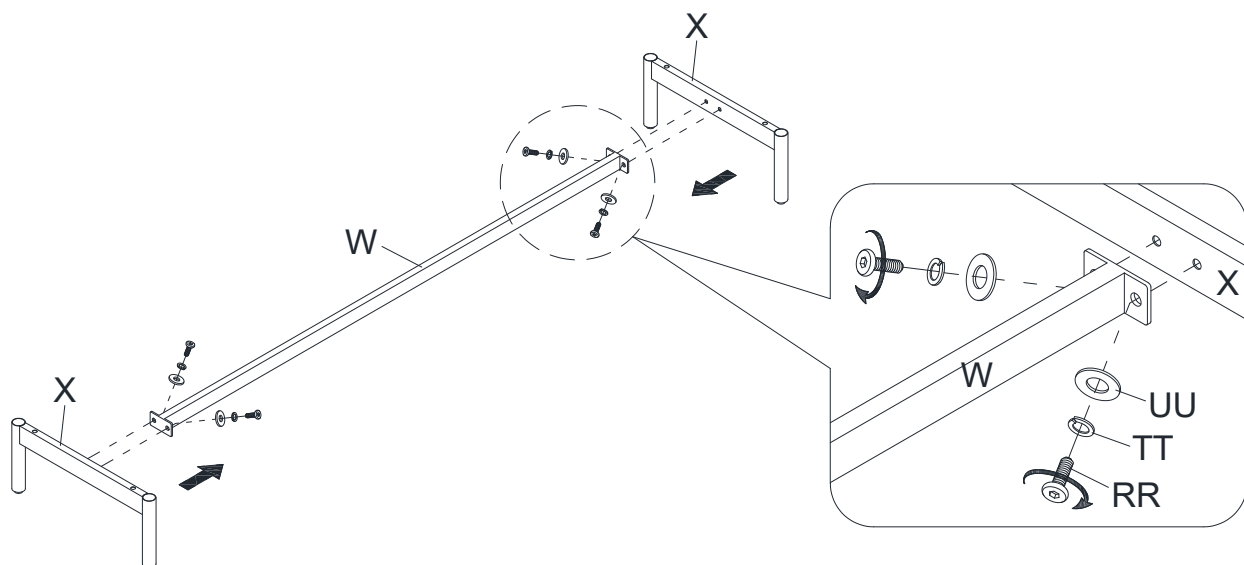


Los agujeros de ventilación están en la parte inferior.

Ensamble (continuación)

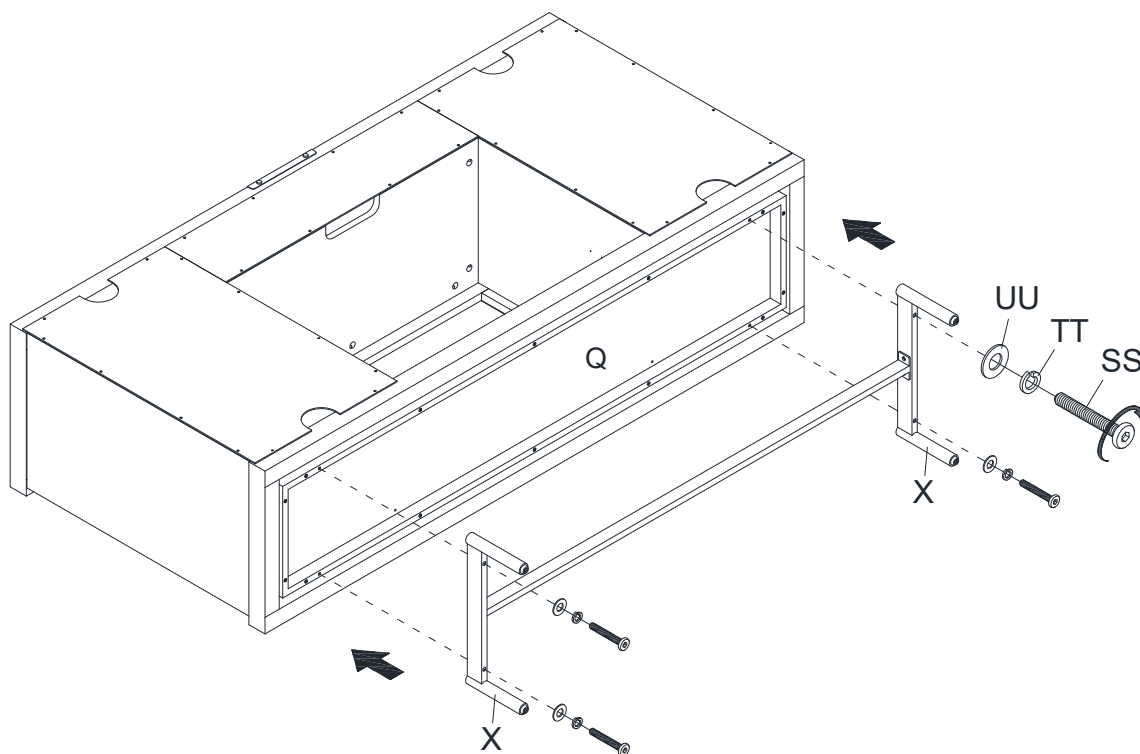
11 Adjuntando el soporte inferior

- Adjuntar el soporte inferior (W) entre las patas laterales (X) con 4 pernos cortos (RR) y 4 arandelas (TT y UU).



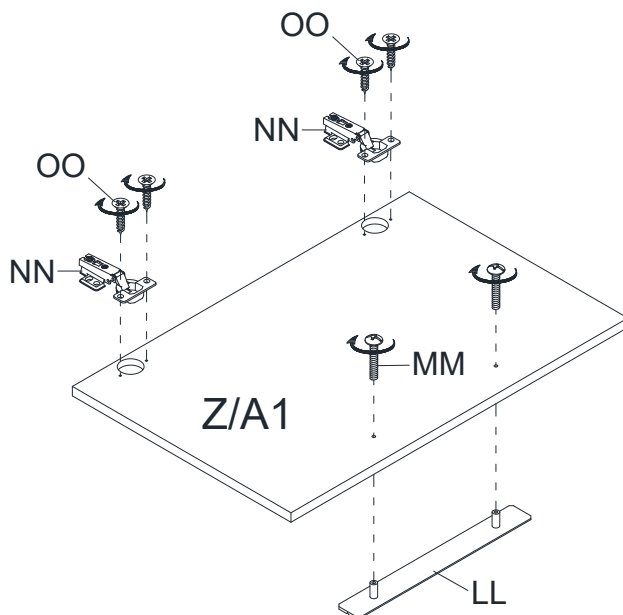
12 Instalando la base

- Alinear y adjuntar las patas laterales ensambladas (X) al panel inferior (Q) y sujetar en su lugar con 4 pernos largos (SS) y 4 arandelas (TT y UU).



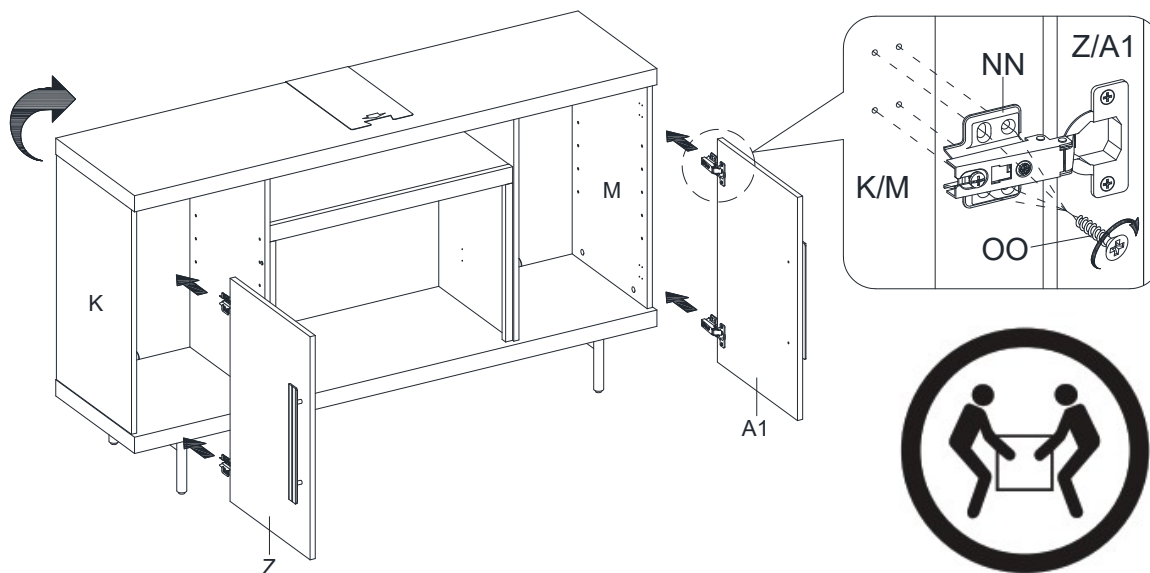
13 Instalando las bisagras de puertas y las manijas

- Extender 2 bisagras de puerta (NN) y descansar las copas de bisagra sobre los recortes de cada puerta (Z y A1). Asegurar las bisagras de puertas (NN) en su lugar usando 2 pernos de níquel (OO) en cada bisagra.
- Adjuntar una manija (LL) al lado frontal de cada puerta (Z y A1) con 2 pernos para manija (MM).



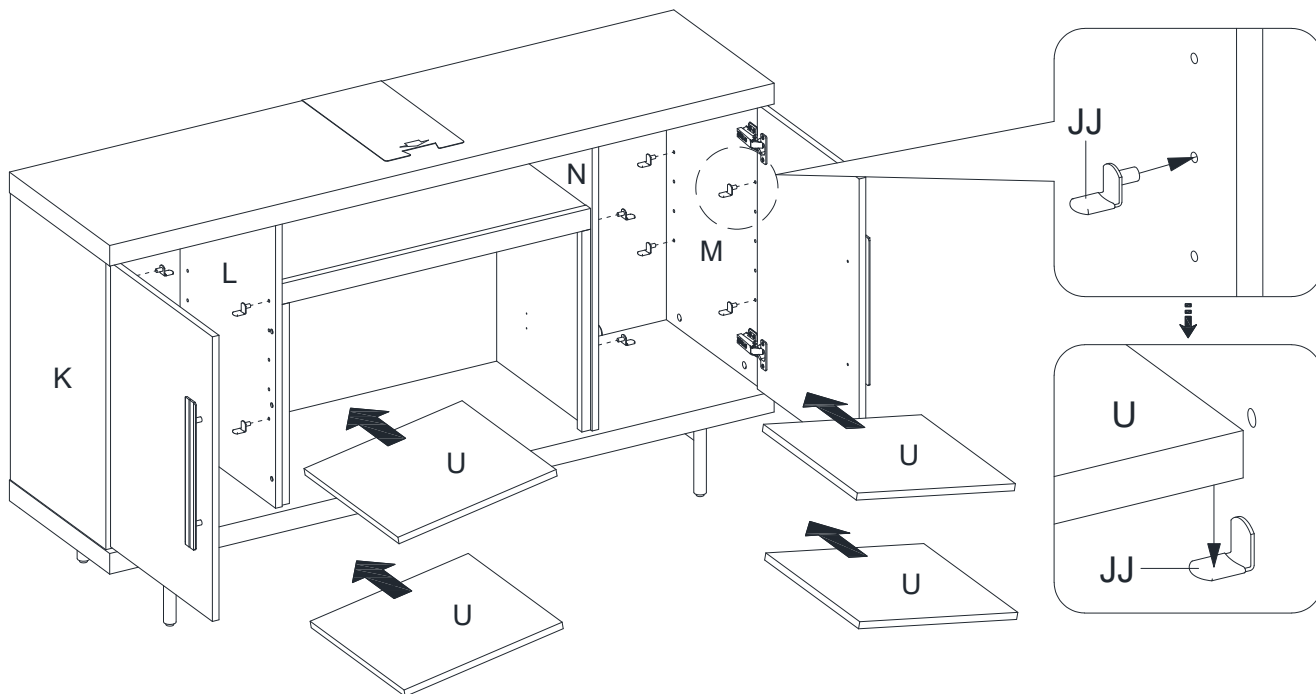
14 Adjuntando los paneles puerta

- Pedir por asistencia para poner la unidad ensamblada en posición vertical y cerca de la posición final.
- Tomar la puerta izquierda (Z) y sujetar las bases de bisagra sobre el panel izquierdo (K) con 8 pernos de níquel (OO), usando los agujeros pilotos como guía.
- Repetir el mismo proceso con la puerta derecha (A1).
- Abrir y cerrar las puertas para asegurar de que estén alineadas y se cierran correctamente. Si fuera necesario, ajustar los pernos para un buen ajuste. Referirse a la etiqueta de la bisagra en el marco de la puerta para ajustar.



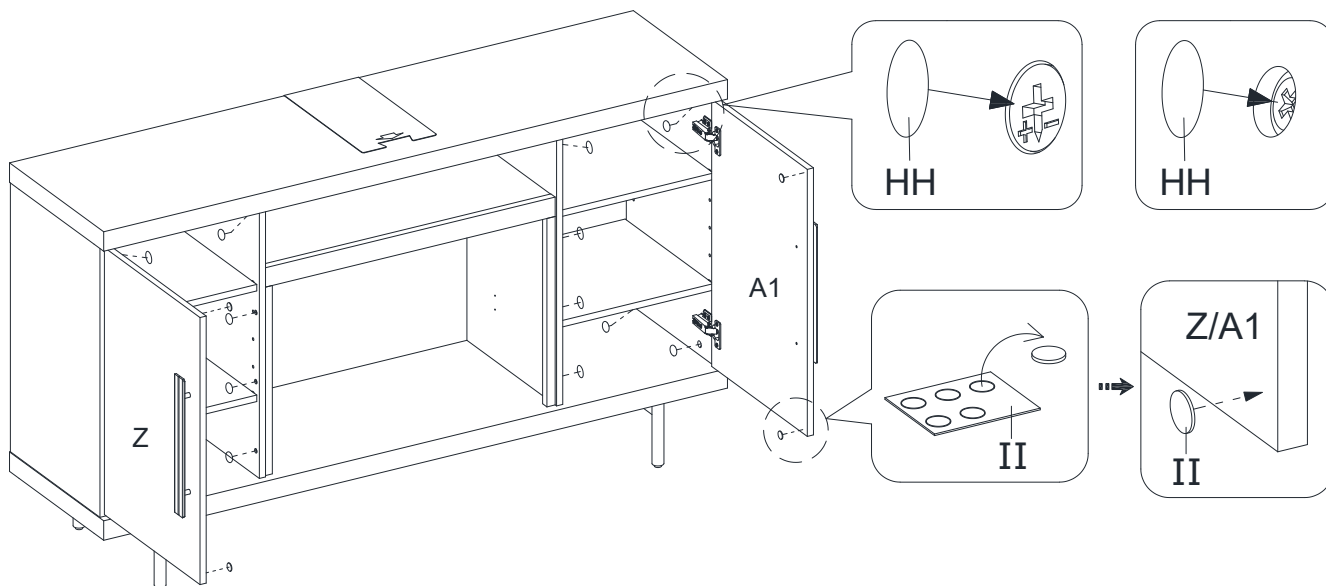
15 Instalando las repisas ajustables

- Abrir las puertas e insertar 8 soportes para repisa (JJ) en los agujeros a la altura deseada dentro de cada compartimiento lateral. Asegurar de poner 4 soportes para repisa en el mismo nivel para hacer un nivel de repisa.
- Inclinarse y descansar las repisas ajustables (U) sobre los soportes para repisa (JJ).



16 Adjuntando las etiquetas de papel y los toques de plástico

- Poner las etiquetas de papel (HH) sobre las tapas de fijación y pernos.
- Poner los toques de plástico (II) en las esquinas exteriores de las puertas donde están en contacto con los paneles divisores (L y N).



Ensamble (continuación)

17 Adjuntando los brazos verticales

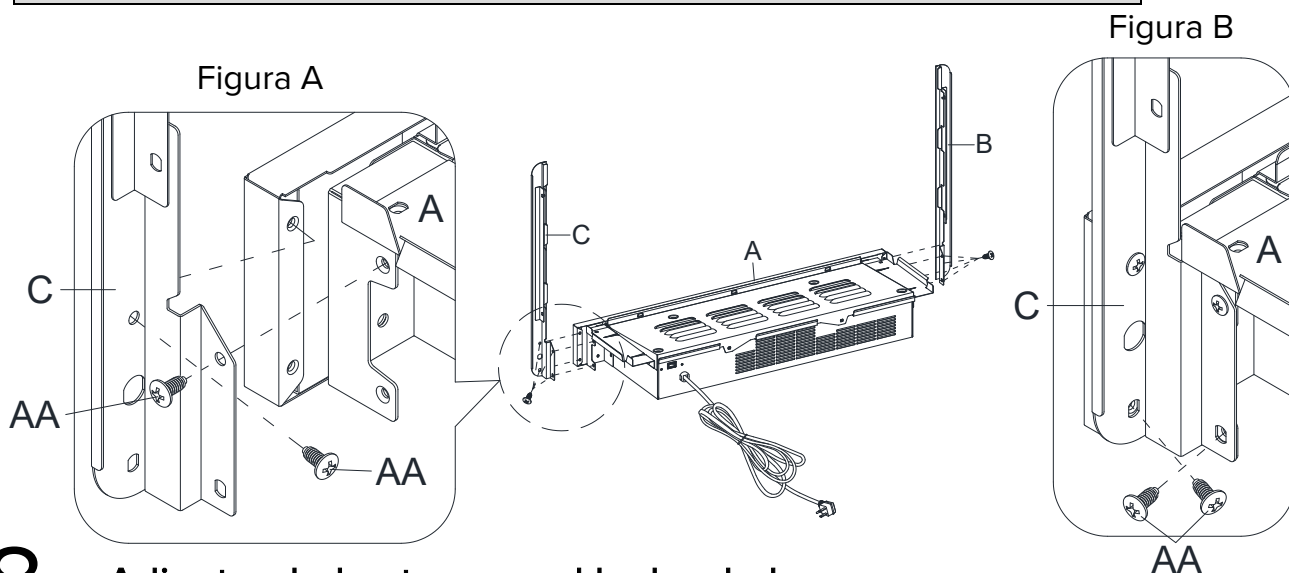


IMPORTANTE NOTA: Usar el desarmador manual, no usar un taladro para ensamblar el inserto de chimenea. Vea BILT para instrucciones por medio de un video.

- Vea la figura A: Sujetar 2 pernos superiores (AA) a través del brazo vertical (C) hacia el calentón (A) hasta apretar.
- Vea la figura B: Sujetar 2 pernos inferiores (AA) en el brazo vertical (C) hasta apretar.
- Apriete completamente los 4 pernos (AA) por última vez.
- Repetir el mismo procedimiento con brazos verticales (B).



ADVERTENCIA: No levante ni transporte el calentón usando los brazos verticales.

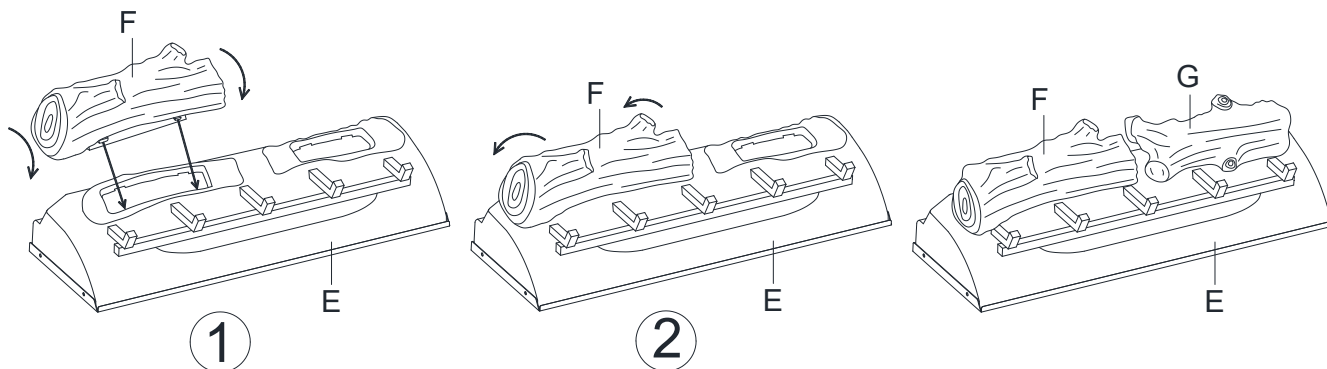


18 Adjuntando los troncos al lecho de brasas



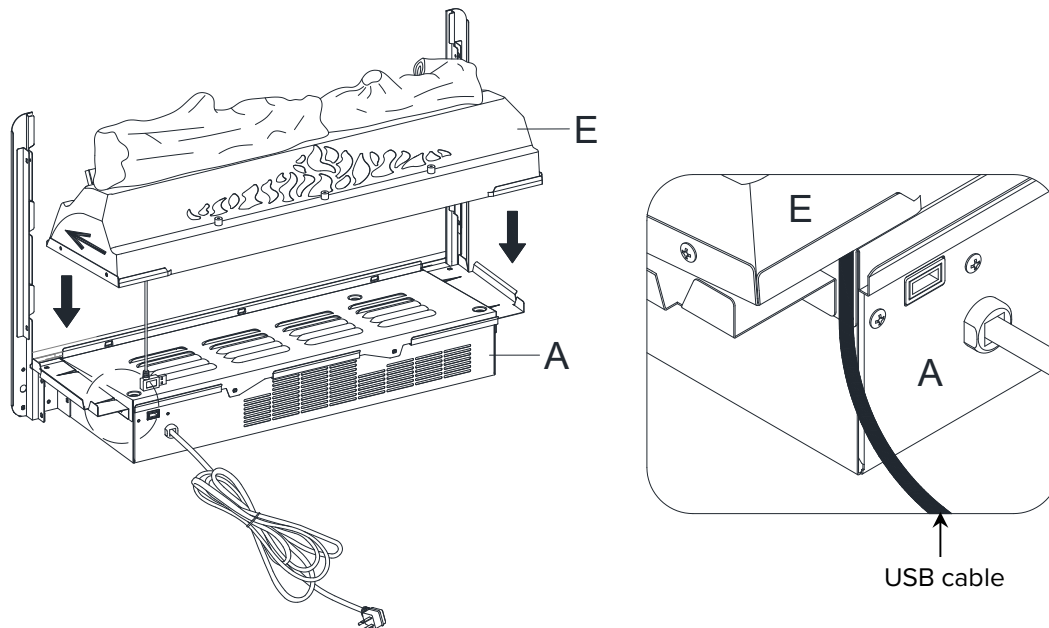
IMPORTANTE: Seguir cuidadosamente los 2 pasos de abajo para insertar cada tronco.

1. Instalar el tronco izquierdo (F) en el agujero izquierdo del lecho de brasas (E) insertando el borde frontal de la base del tronco en las ranuras frontales del agujero del lecho de brasas.
 2. Inclinar el tronco hacia atrás para insertar el borde posterior de la base del tronco en las ranuras posteriores del agujero del lecho de brasas (presionar hacia abajo el tronco para trabar en su posición).
- Repetir el proceso de arriba para el tronco derecho (G).



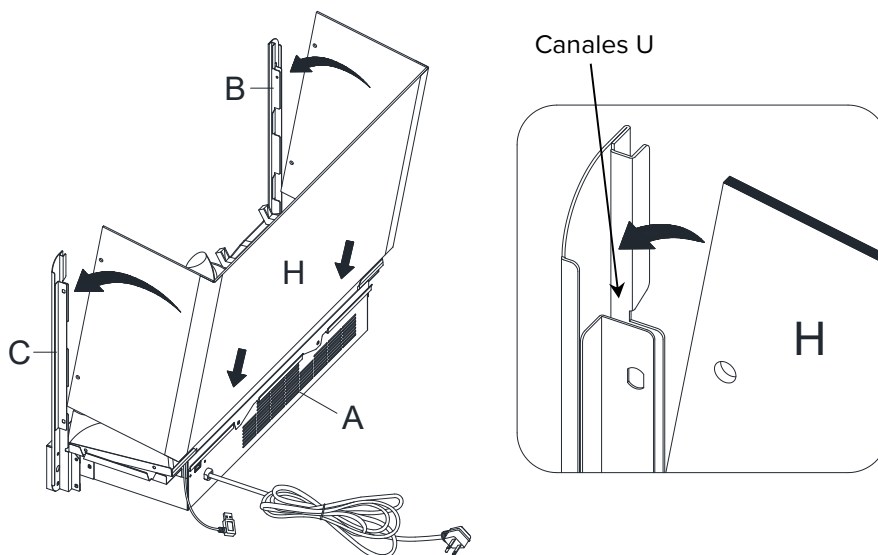
19 Posicionando el lecho de brasas

- ❑ Poner el lecho de brasas (E) sobre el calentón (A) como se muestra.
- ❑ Empujar el lecho de brasas hacia adelante contra la pestaña frontal del calentón.
- ❑ Posicionar el cable USB como se muestra abajo.



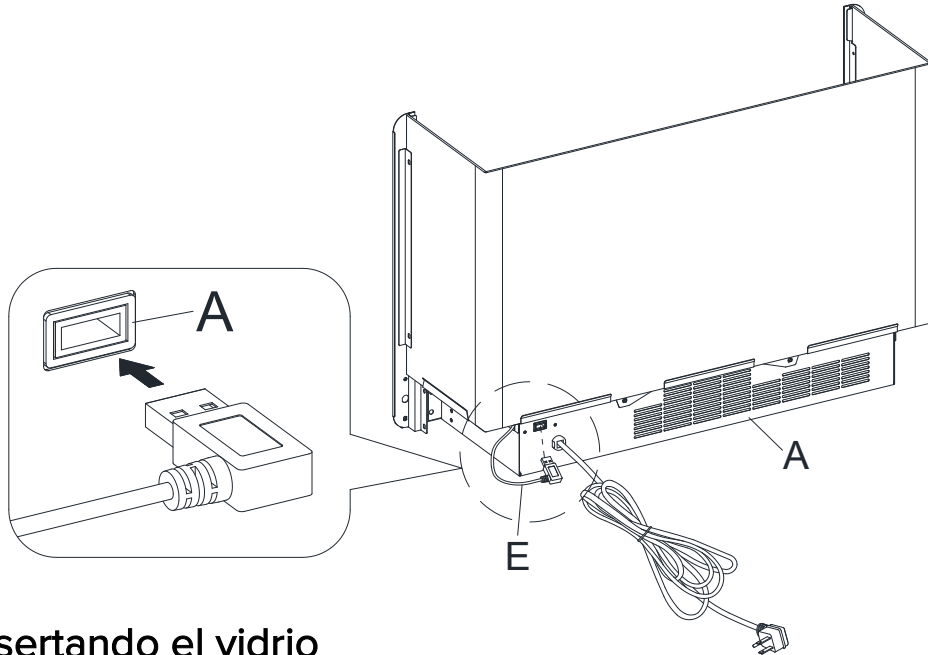
20 Adjuntando el panel pared

- ❑ Doblar el panel pared (H) como se muestra. Luego póngase usted en la parte posterior del calentón (A).
- ❑ Mantener el panel pared (H) en el ángulo mostrado abajo e insertar el borde inferior posterior en los espacios de metal en la parte posterior del calentón (A).
- ❑ Inclinar el panel pared (H) hacia adelante hasta que la esquina inferior entre en los canales U inferiores en ambos brazos verticales (B y C).
- ❑ Continúe inclinando el panel pared (H) hacia adelante hasta que la esquina superior entre en los canales U superiores en ambos brazos verticales (B y C).



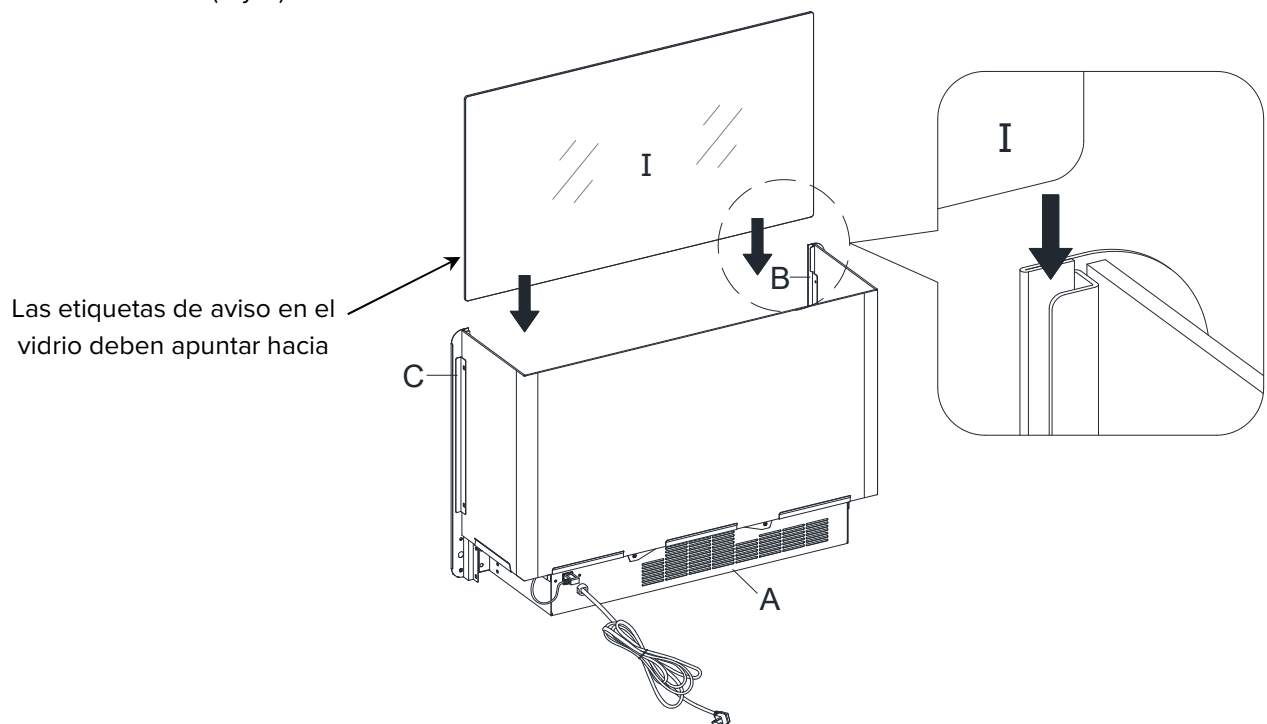
21 Conectando el cable del lecho de brasas al calentón

- Enchufar completamente el conector USB al lecho de brasas (E) en el puerto posterior del calentón (A).



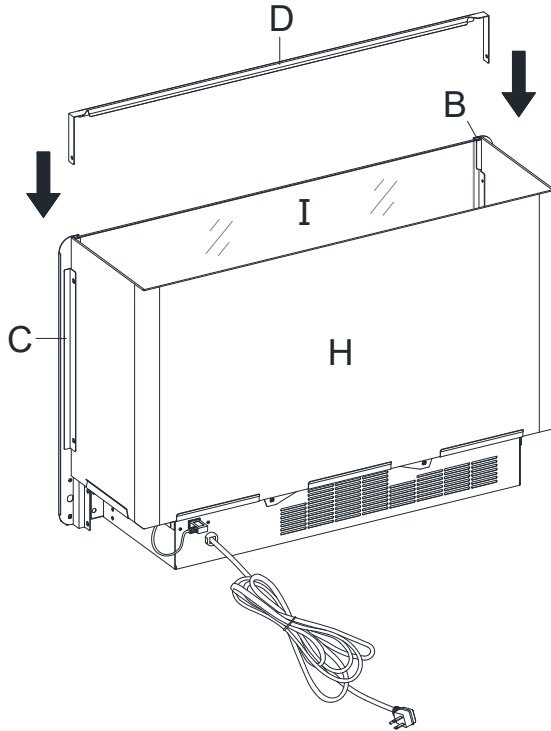
22 Insertando el vidrio

- Deslizar el vidrio (I) en los canales U internos en ambos brazos verticales (B y C) hasta que el vidrio esté sobre el calentón (A). Si es necesario, empuje la parte superior de los brazos verticales hacia adentro o hacia afuera para acomodar el vidrio. Asegurar que la parte superior del vidrio (I) esté nivelada con la parte superior de ambos brazos verticales (B y C).

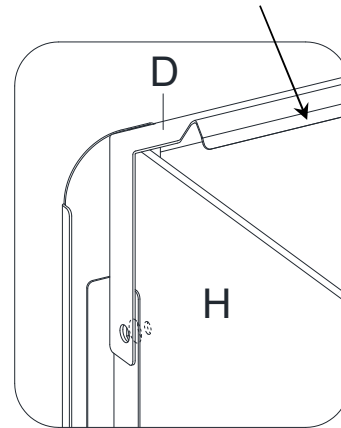


23 Posicionando la correa de conexión

- Posicionar la correa de conexión superior (D) sobre el vidrio (I) y brazos verticales (B y C). Seguir la orientación mostrada abajo.

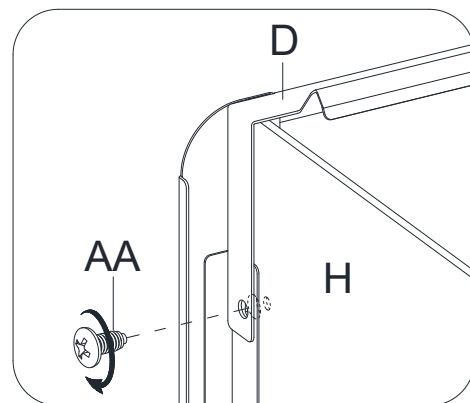
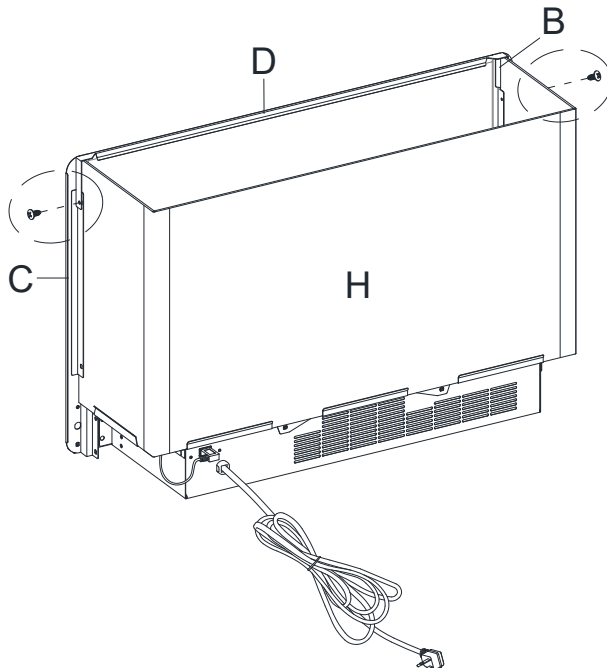


El borde bisel apunta hacia adentro de la unidad.



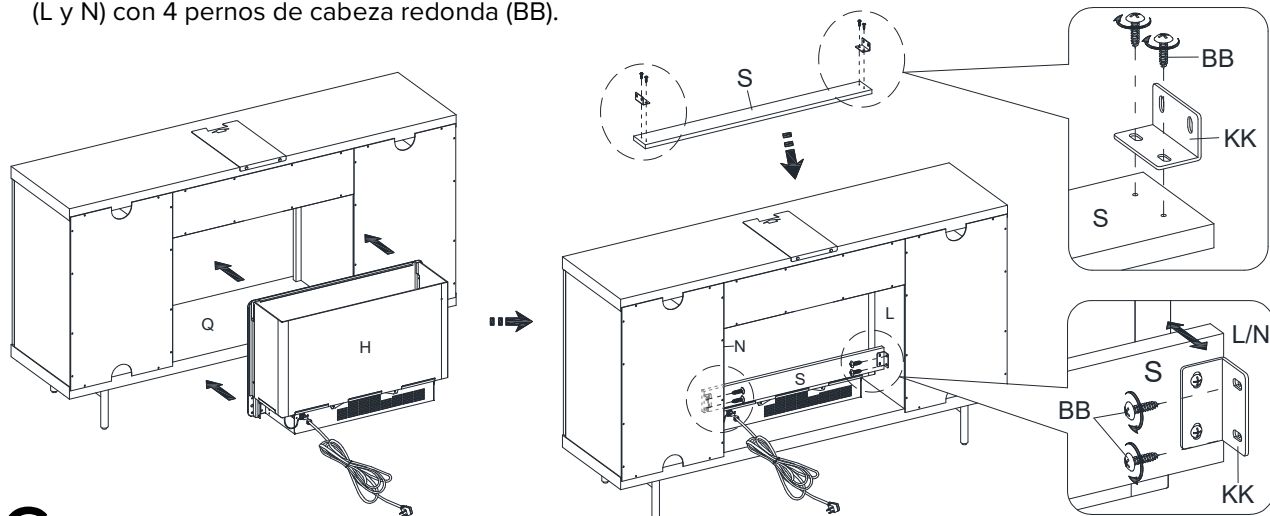
24 Adjuntando la correa conector

- Sujetar la correa conector (D) a ambos brazos verticales (B y C) usando 2 pernos (AA) como se muestra abajo. Los agujeros deben estar alineados para que pase el perno a través de.



25 Instalando el inserto de chimenea

- Levantar el inserto de chimenea en la parte posterior del delantal ensamblado y centrar en la abertura.
- Usando los agujeros piloto como guía, sujetar 2 soportes L (KK) sobre el soporte de la caja de fuego (S) con 4 pernos de cabeza redonda (BB). Asegurar de que el lado de ángulo recto este nivelado con el borde corto del soporte de la caja de fuego (S).
- Usando los agujeros piloto como guía, sujetar el soporte de la caja de chimenea (S) entre los paneles divisores (L y N) con 4 pernos de cabeza redonda (BB).



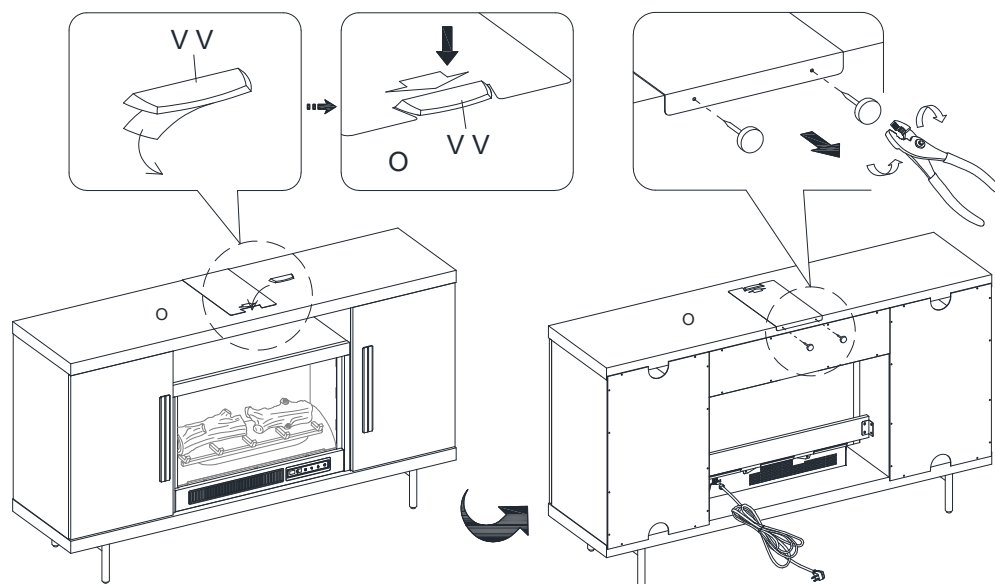
26 Instalando el tope de acrílico

- Retirar el respaldo de papel del tope de acrílico (VV), luego alinear apropiadamente el tope de acrílico en el recorte en el temple del tope de acrílico en la parte frontal del panel superior (O). Presionar el tope de acrílico para ayudar a la adhesión.



NOTA: Para prevenir que caiga su TV, usted debe instalar el tope de TV de acrílico si poner su televisión de pantalla plana en el panel superior. De otra manera, vaya al siguiente paso.

- En la parte posterior del panel superior (O), tomar las cabezas de las tachuelas de plástico con pinzas, con un movimiento giratorio jalar las tachuelas para sacar y retirar el templeado del tope de acrílico.

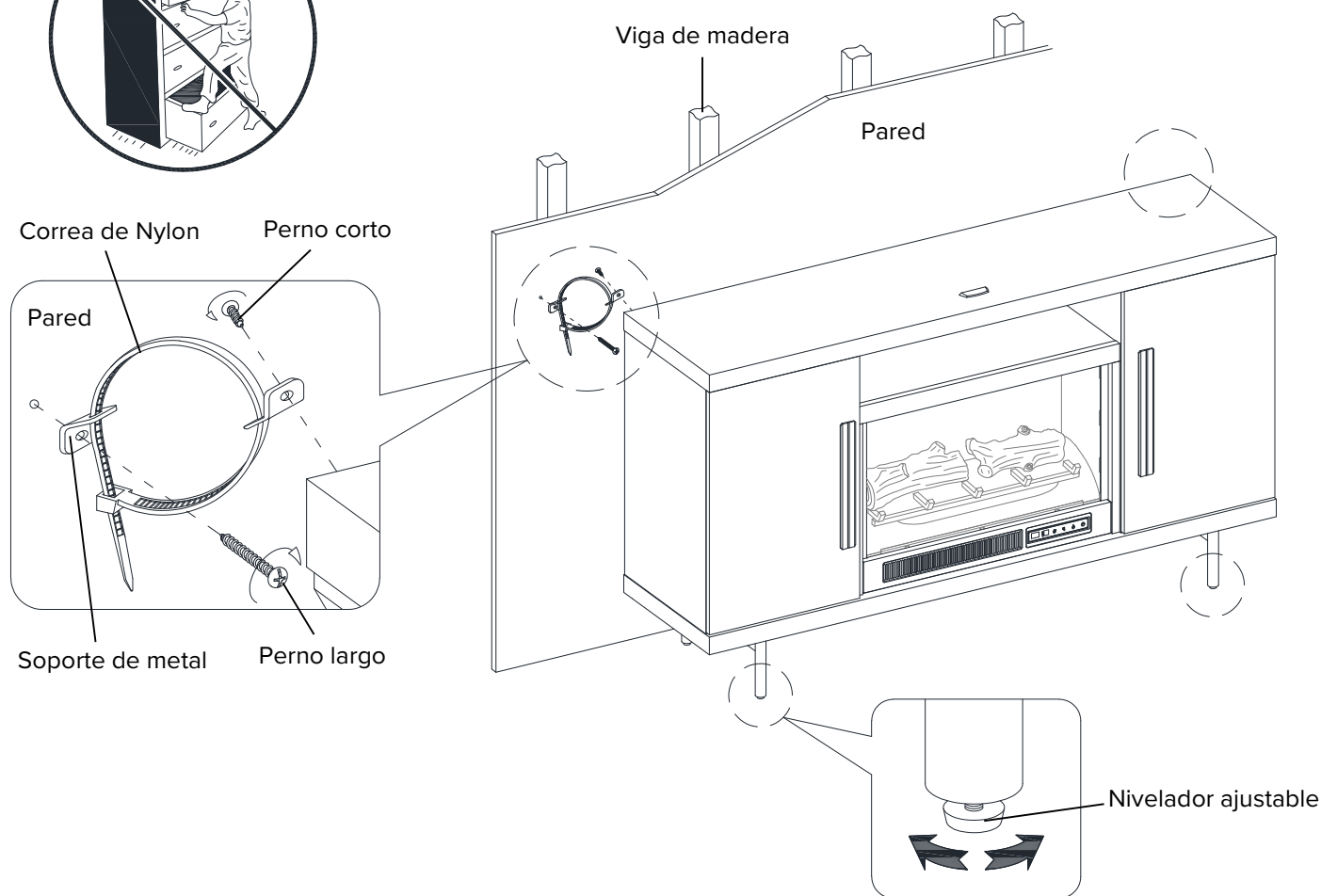


27 Instalando el juego de restricción de movimiento



AVISO: Niños pequeños pueden resultar lastimados por muebles inclinados. Debe instalar el juego de restricción de movimiento con la unidad en función, para prevenir la inclinación de la unidad, causando cualquier accidente o daño. El tope de movimiento es solo un impedimento, no hay sustituto para la supervisión adulta. El tope de movimiento no es contra terremoto. Si deseara añadir la seguridad extra contra terremotos, deben ser comprados e instalados separadamente.

- Con asistencia, posicionar la chimenea en el lugar deseado contra la pared. Si fuera necesario, ajustar manualmente los niveladores ajustable pre-adjuntados para corregir inclinación y nivelar las puertas, hasta que la unidad esté nivelada.
- Seguir las instrucciones impresas en la bolsa de plástico que contiene el juego de restricción de movimiento para adjuntar los topes de movimiento a la unidad y a la pared.
- Conectar la chimenea al transformador de poder. Seguir el manual de operación para el inserto de chimenea eléctrica para controlar su chimenea.



Cuidado y mantenimiento

Un plumón es provisto para en caso de pequeños golpes o rayaduras que puedan ocurrir durante el ensamble o envío. Para limpiar y cuidar su mueble:

- Use una toalla suave y limpia que no rayara la superficie al limpiar.
- Uso de cera para pulir muebles no es necesario. Si desea usar cera, pruébela en un área que no sea visible.
- Usar solventes de cualquier tipo puede dañar el acabado del mueble.
- Nunca use agua para limpiar la unidad, ya que le puede dañar el acabado.
- Siempre utilice protección para vasos y floreros cuando los ponga sobre la unidad.
- Líquidos derramados deben limpiarse inmediatamente, con una toalla suave evitando tallar.
- Siempre utilizar protectores en caso de poner cosas calientes. El calor puede provocar una reacción química en el acabado y dañarlo.
- En caso que su unidad sea manchada o dañada de otra forma durante el uso, le recomendamos hablar a un profesional para que le ayude.
- Revisar los pernos periódicamente y apretar en caso necesario.

CUIDANDO SU MUEBLE DE MADERA

Es mejor mantener la unidad en un área de clima controlado. Temperatura extrema y cambios de humedad pueden causar cambios como partes pandas, molduras que se contraigan o que la madera se raje. Es recomendable mantener la unidad lejos del sol directo ya que puede dañar el acabado.

Cuidados adecuados y limpieza pueden extender la vida útil de su unidad. Siga estas recomendaciones y mantendrá su mueble en buenas condiciones de uso por muchos años.

LIMPIANDO EL BORDE DE LA CHIMENEA

Limpiar el borde de metal usando una toalla suave, ligeramente mojado con productos basado en aceite cítrico y pulir con una toalla limpia suave. NO use cera para latón o limpiadores de casa ya que estos productos dañaran el borde de metal. Productos basados en aceite cítrico se pueden obtener en el supermercado o en tiendas de ferretería.



ADVERTENCIA

- La unidad debe ser puesta en una superficie nivelada o nivelada con la ferretería incluida (cuando aplique).
- No sentarse o pararse o permita que niño se suban, sienten o paren en el producto ensamblado.
- Por razones de seguridad, es esencial que la unidad esta montada a la pared o piso.
- La unidad se puede caer causando lesiones graves o la muerte.
- Nunca abrir más de un cajón a la vez.
- No exceder los límites de peso recomendados.
- Antes de cortar, perforar o martillar a cualquier superficie de la pared o del piso, verificar la posición de líneas eléctricas, tuberías, o líneas de gas. El cortar puede causar lesiones graves.

SCOTT  LIVING™

BY DREW & JONATHAN



No estamos contentos a menos que usted esté contento, por lo que ofrecemos una Garantía de 30 días Love It. Si por alguna razón no le gusta su producto Scott Living, puede devolverlo a su lugar de compra dentro de los 30 días siguientes a la fecha de su recibo para un reembolso completo sin preguntas.

LA POLÍTICA DE DEVOLUCIONES DE LOS ARTÍCULOS PERSONALIZADOS VARÍA. POR FAVOR, CONSULTE CON SU DISTRIBUIDOR PARA MÁS DETALLES.

¿Preguntas, problemas, partes que falten? Antes de regresar a la tienda,
llame al servicio al cliente

1-866-942-5362

Hora estándar del Pacífico: 8:30 a.m. - 4:30 p.m., de Lunes a Viernes

O visite nuestra página de Internet 24 horas al día, 7 días a la semana para asistencia

www.whalenfurniture.com

O mande un correo electrónico a **parts@whalenfurniture.com**

Guarde este manual para uso futuro.