



THRESHOLDTM
MC

Southwick Farmhouse 3 Drawer/Shelf Dresser with Sliding Barn Door-White

Style # A80524-A3

DPC-item # 249-09-1432



>> Assembly instructions



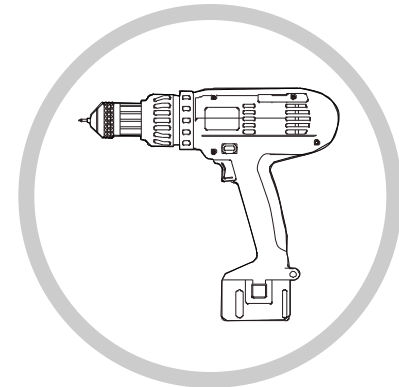
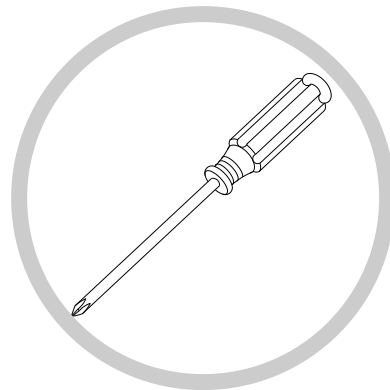
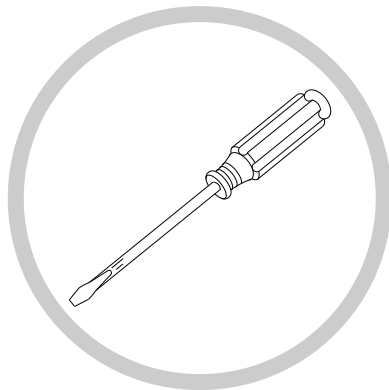
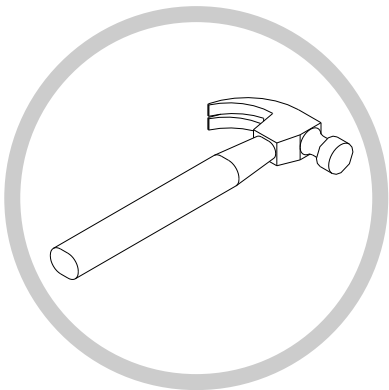
Congratulations on your latest Target purchase.

Now what? Don't start sweating over this box of parts. This will be easy. We did the hard work for you. All you need to do is follow our simple instructions and you'll be on your way to transforming your room in no time. Good luck – though we're confident you won't need it.

before you begin

1. Check for damaged or missing parts. Call 1-855-MYTGTHOME (855-698-4846) to order missing supplies.
2. Use the carton as a work surface to prevent product damage during assembly.
3. Gather all tools prior to assembly.


tools needed (not included)



For tipping restraint hardware kit only

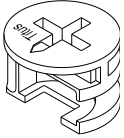
table of contents

Introduction	2
Hardware	4
Parts list	5
How to use the cam lock system	6
Assembly	7-25
Care and maintenance and warranty	26
Important safety information	27

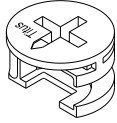
⚠ WARNING	
	<p>Serious or fatal crushing injuries can occur from furniture tip-over. To help prevent tip-over:</p> <ul style="list-style-type: none">• Install tip-over restraint provided.• Place heaviest items in the lowest drawers.• Do not set TV's or other heavy objects on top of this product, unless the product is specifically designed to accommodate them.• Never allow children to climb or hang on drawers, doors, or shelves.• Never open more than one drawer at a time. <p>Use of tip-over restraints may only reduce, but not eliminate, the risk of tip-over.</p>

hardware

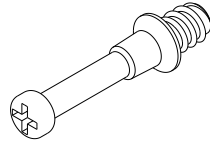
(H1) x 26
large cam lock



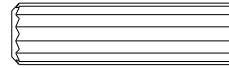
(H2) x 15
small cam lock



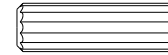
(H3) x 26
large cam bolt



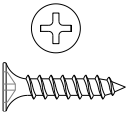
(H4) x 25
M8 x 30 mm wood dowel



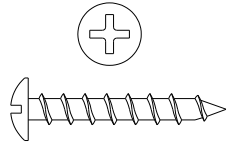
(H5) x 18
M6 x 20 mm wood dowel



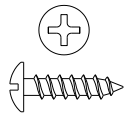
(H6) x 2
M3.5 x 15 mm screw



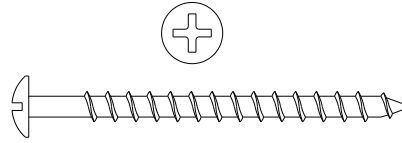
(H7) x 19
M4 x 25 mm screw



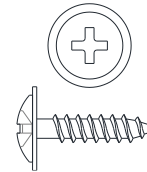
(H8) x 8
M3.5 x 12 mm screw



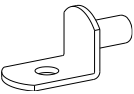
(H9) x 2
M4 x 50 mm screw



(H10) x 24
M3.5 x 15 mm screw



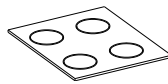
(H11) x 8
shelf pin



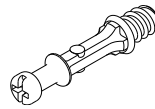
(H12) x 1
metal bracket



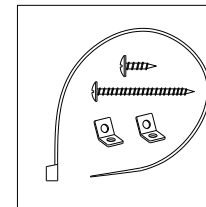
(H13) x 4
rubber bumper



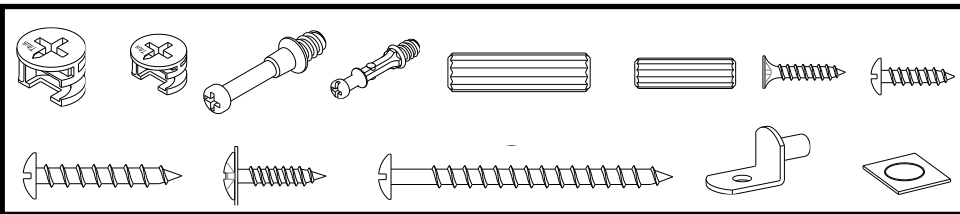
(H14) x 15
small cam bolt



(H15) x 2
tipping restraint hardware kit
(inside plastic bag)

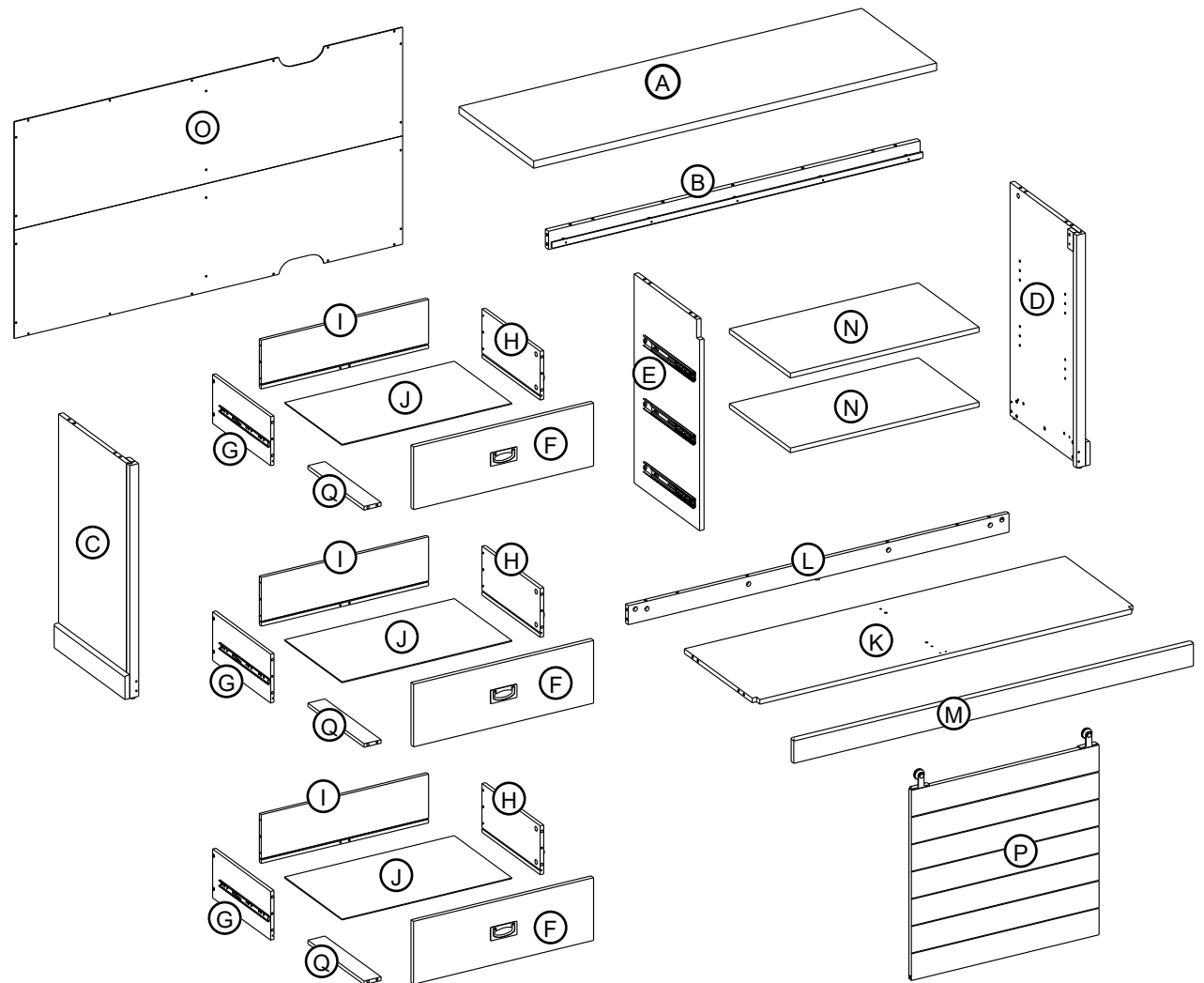


Spare hardware



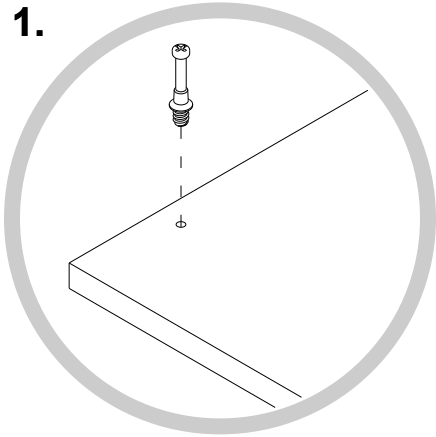
ITEM DESCRIPTION QUANTITY

ITEM	DESCRIPTION	QUANTITY
A	Top panel	1
B	Top front stretcher with hanging bar	1
C	Left side panel	1
D	Right side panel	1
E	Partition panel	1
F	Drawer front	3
G	Drawer left side	3
H	Drawer right side	3
I	Drawer back panel	3
J	Drawer bottom panel	3
K	Bottom panel	1
L	Bottom back stretcher	1
M	Bottom front stretcher	1
N	Adjustable shelf	2
O	Back panel	1
P	Barn door	1
Q	Drawer bottom support	3

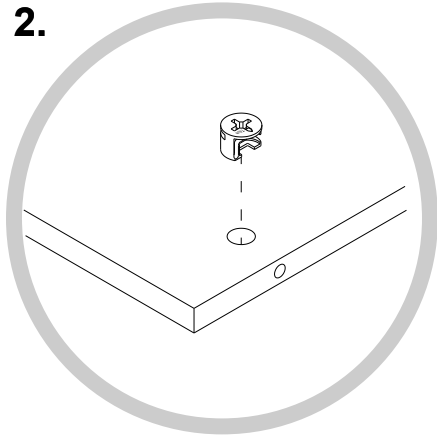


how to use the cam lock system

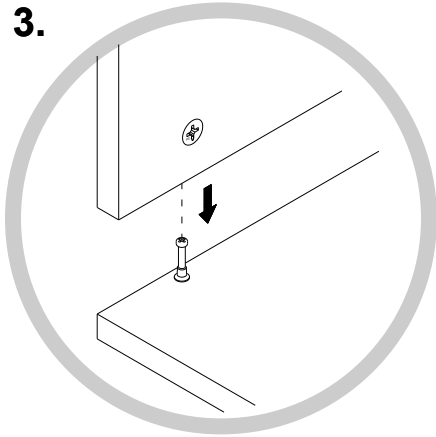
1.



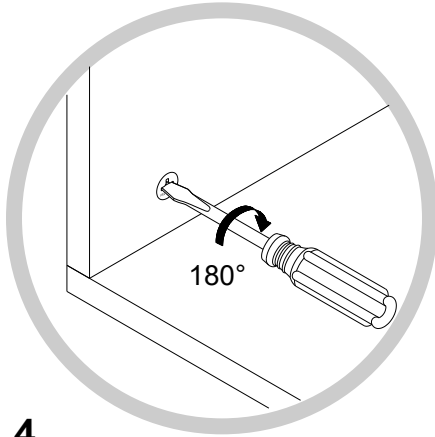
2.



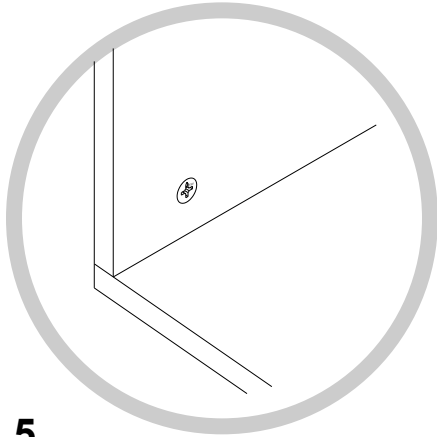
3.



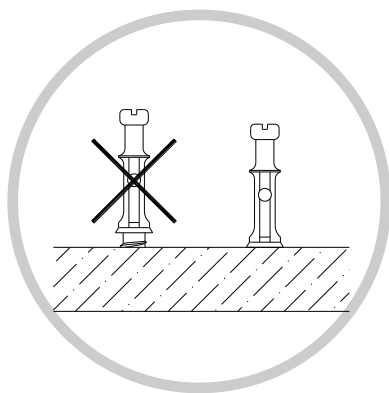
4.



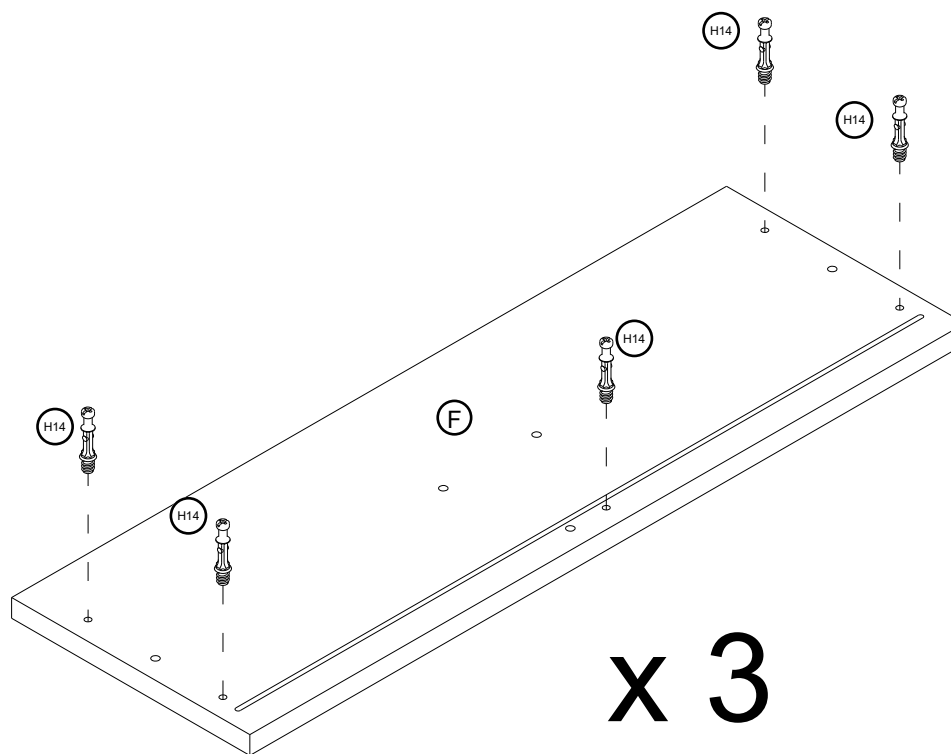
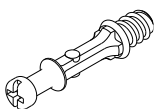
5.



step 1.



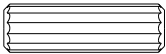
(H14) x 15
small cam bolt



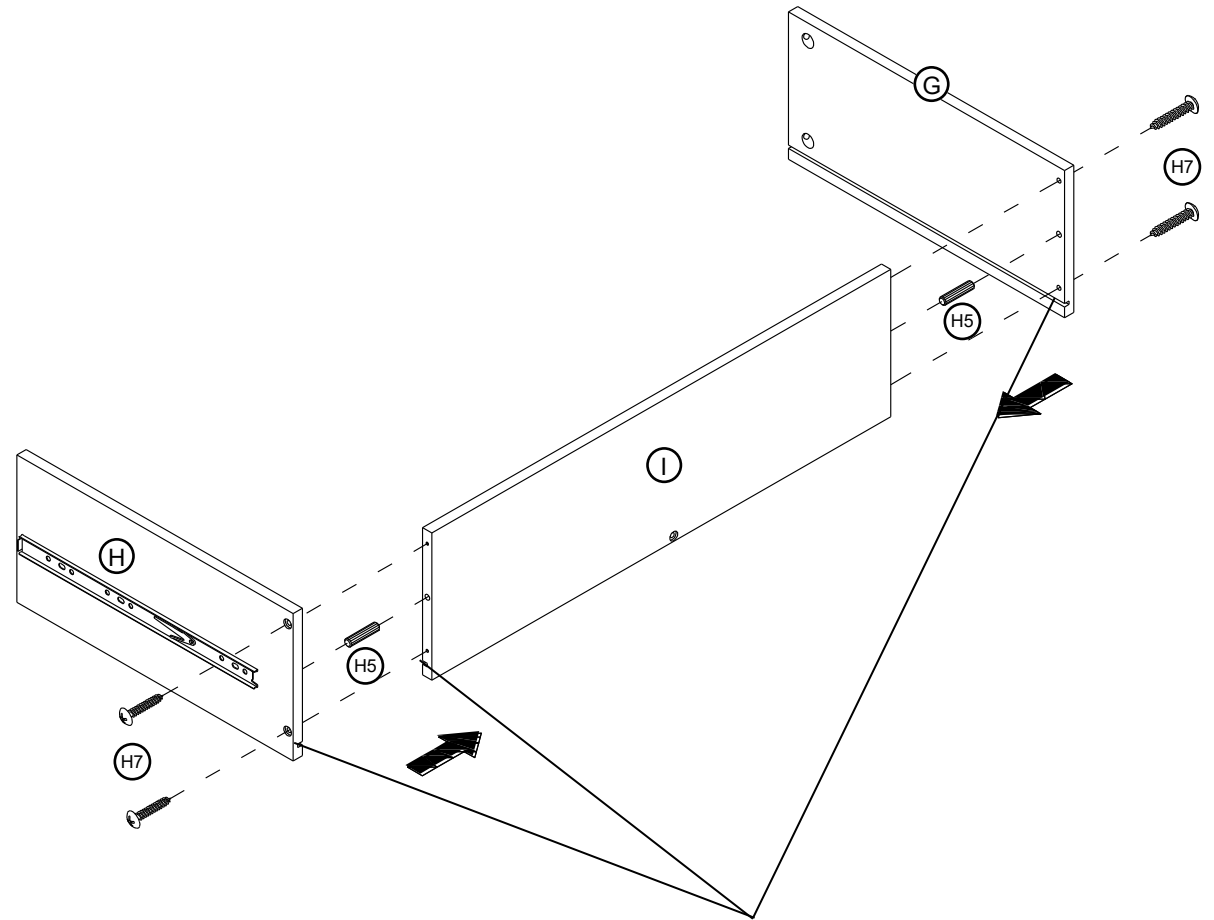
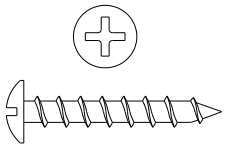
Screw-in cam bolts must be screwed down flush.

step 2.

(H5) x 2
M6 x 20 mm wood dowel



(H7) x 4
M4 x 25 mm screw

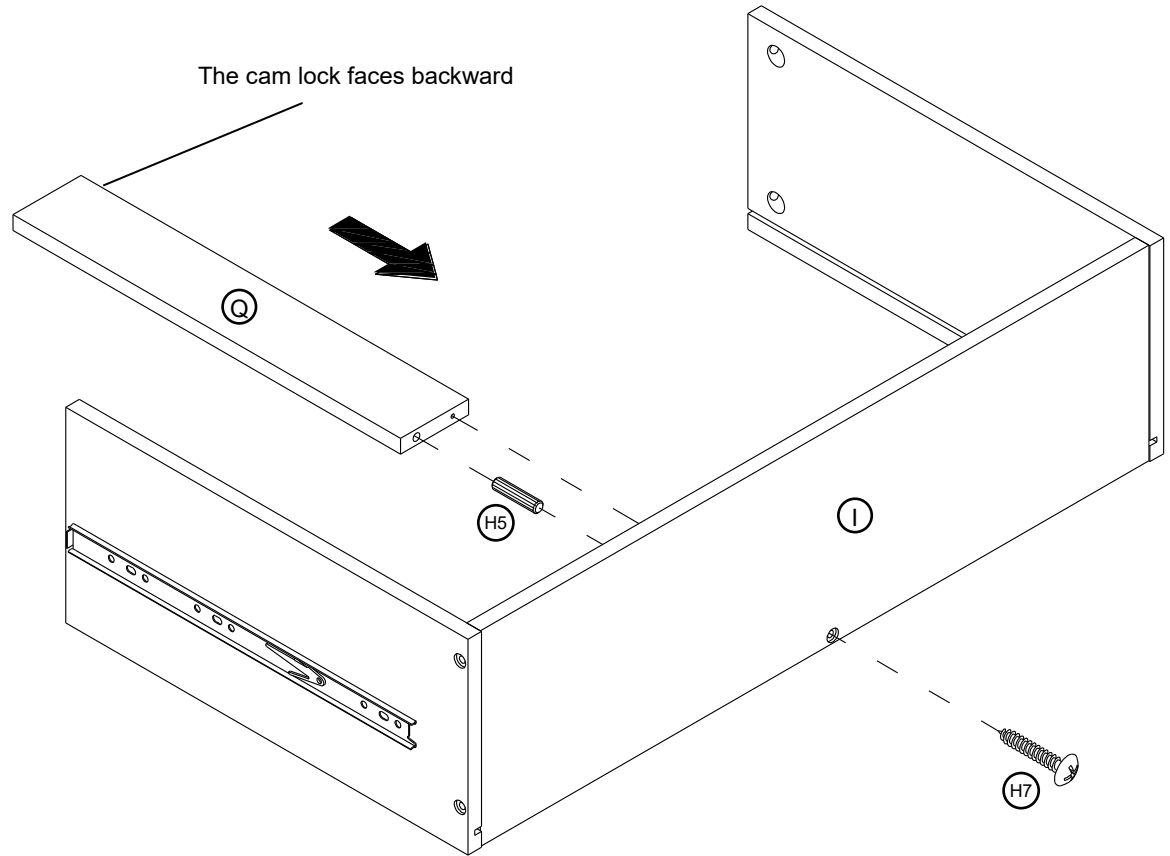


The grooves line up with each other and face inward

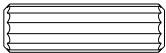
Attach one drawer back panel (I) between the drawer side panels (G and H).

step 3.

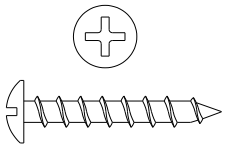
The cam lock faces backward



(H5) x 1
M6 x 20 mm wood dowel

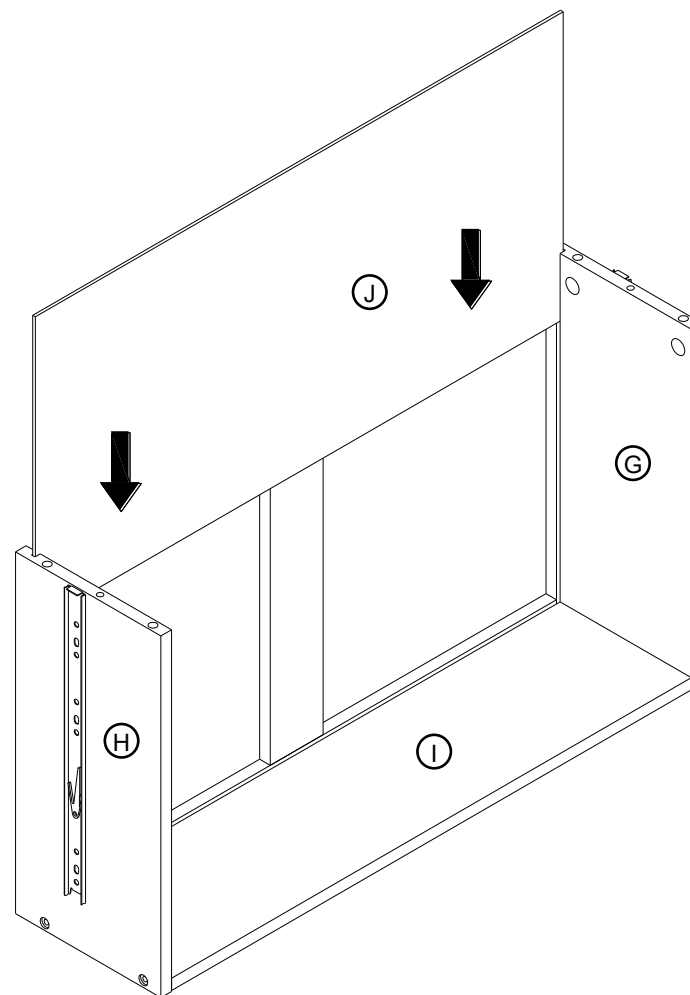


(H7) x 1
M4 x 25 mm screw



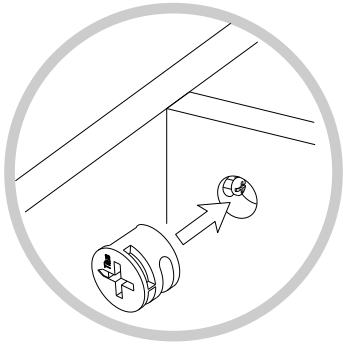
Attach one drawer bottom support (Q) to the drawer back panel (I).

step 4.

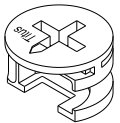


Slide one drawer bottom panel (J) into the grooves between the drawer side panels (G and H) until fully inserted into the groove of the drawer back panel (I).

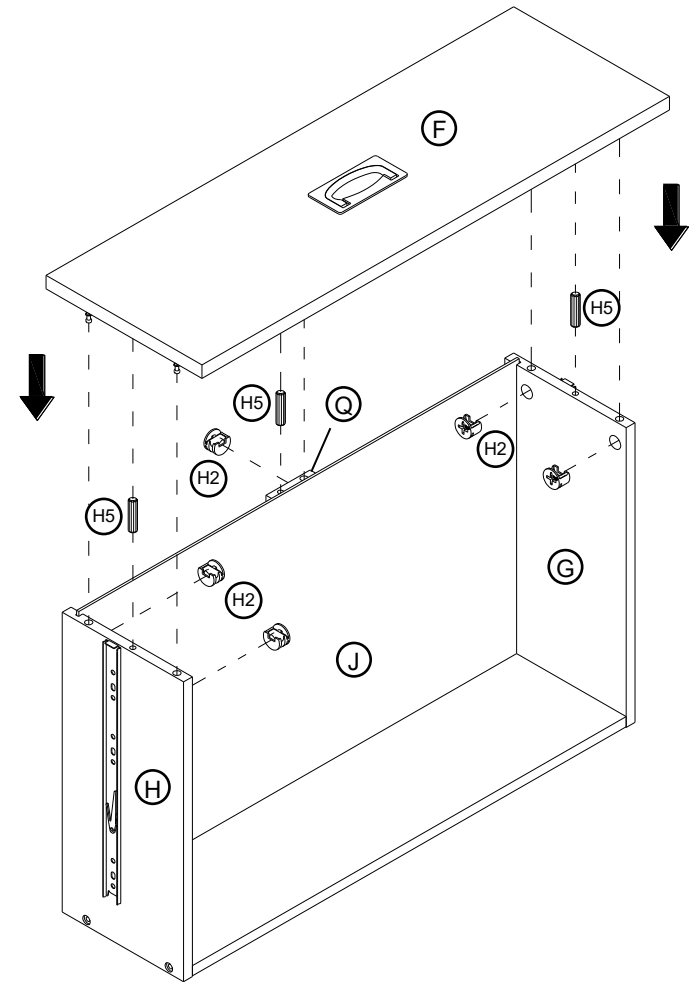
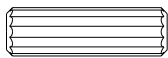
step 5.



(H2) x 5
small cam lock

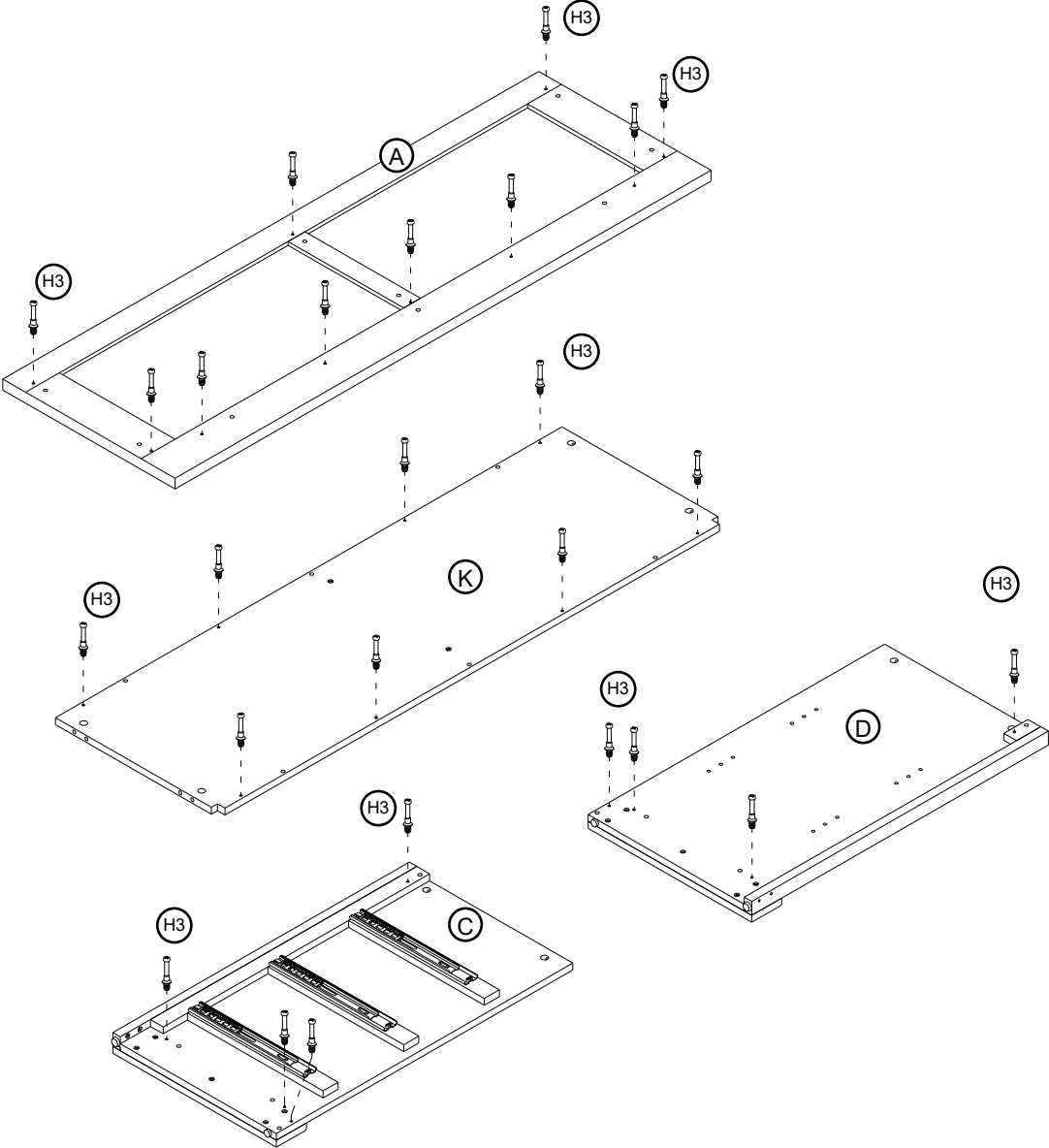
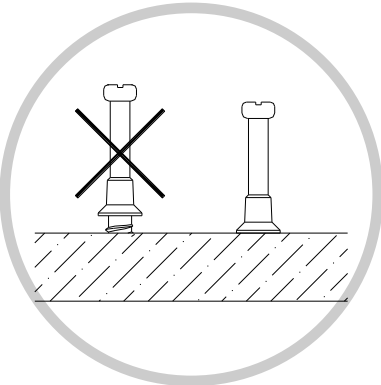


(H5) x 3
M6 x 20 mm wood dowel

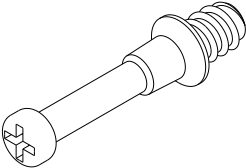


Attach one drawer front (F) to the drawer side panels (G and H) and drawer bottom support (Q).
Note: Make sure that the drawer bottom panel (J) fits securely into the groove of the drawer front.
Repeat the same process to assemble the other 2 drawers.

step 6.

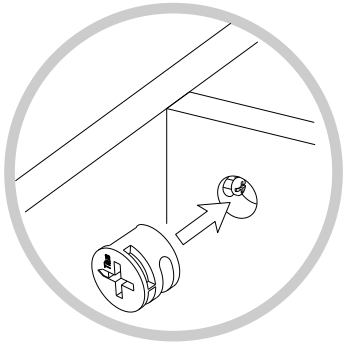


(H3) x 26
large cam bolt



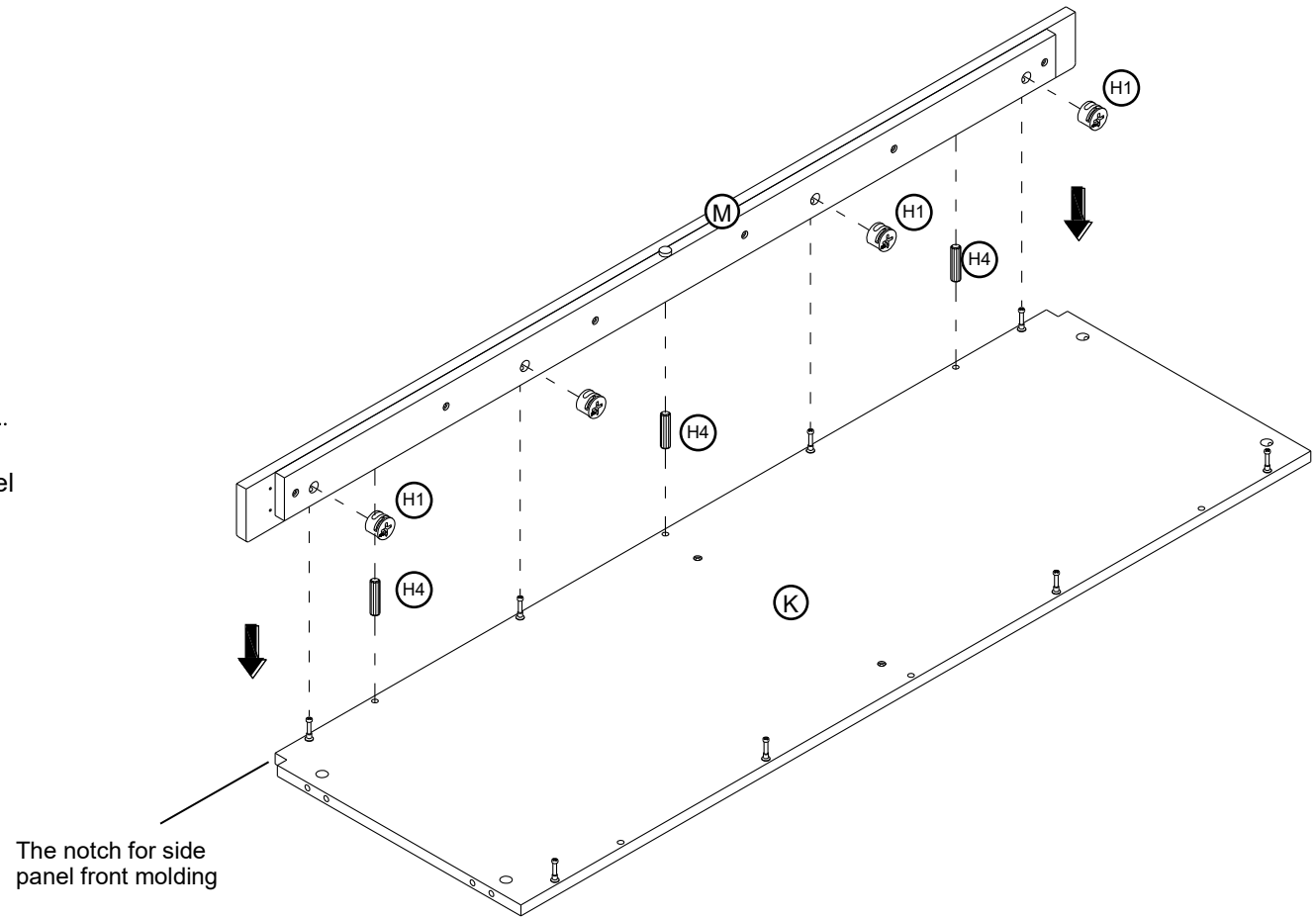
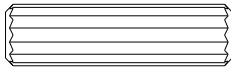
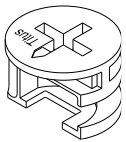
Screw-in cam bolts must be screwed down flush.

step 7.



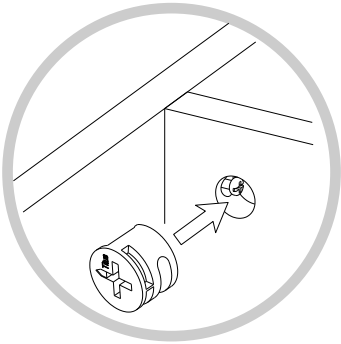
(H1) x 4
large cam lock

(H4) x 3
M8 x 30 mm wood dowel



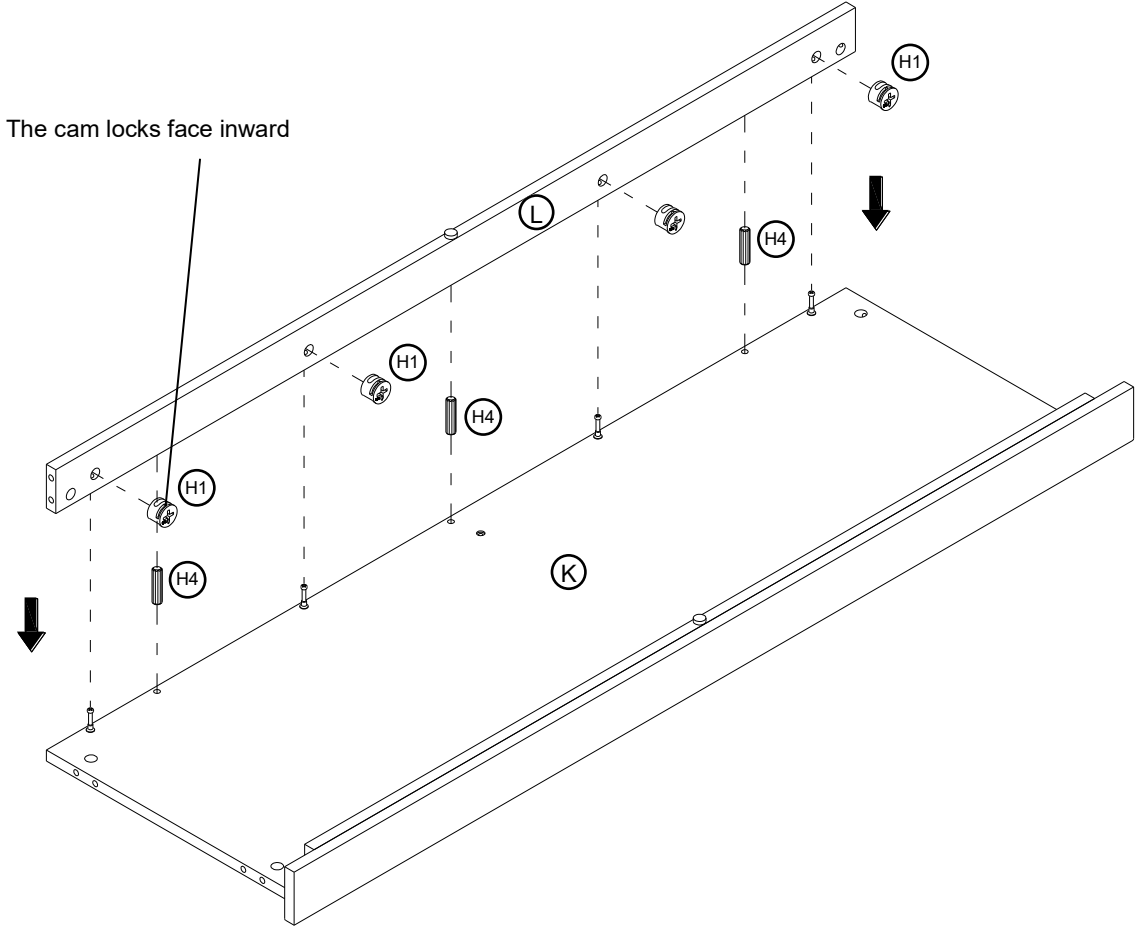
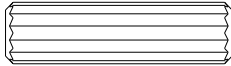
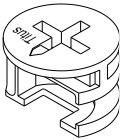
Attach the bottom front stretcher (M) to the front edge of bottom panel (K).
NOTE: There are two notches on the front edge.

step 8.



(H1) x 4
large cam lock

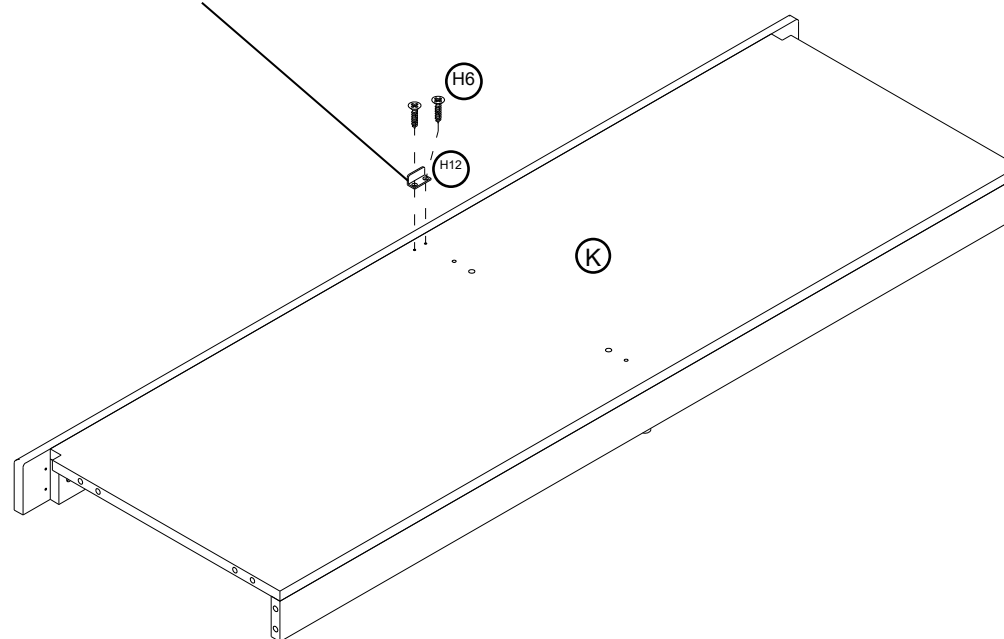
(H4) x 3
M8 x 30 mm wood dowel



Attach the bottom back stretcher (L) to the bottom panel (K).

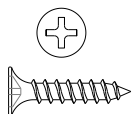
step 9.

The right-angle side is located against the bottom front stretcher



(H6) x 2
M3.5 x 15 mm screw

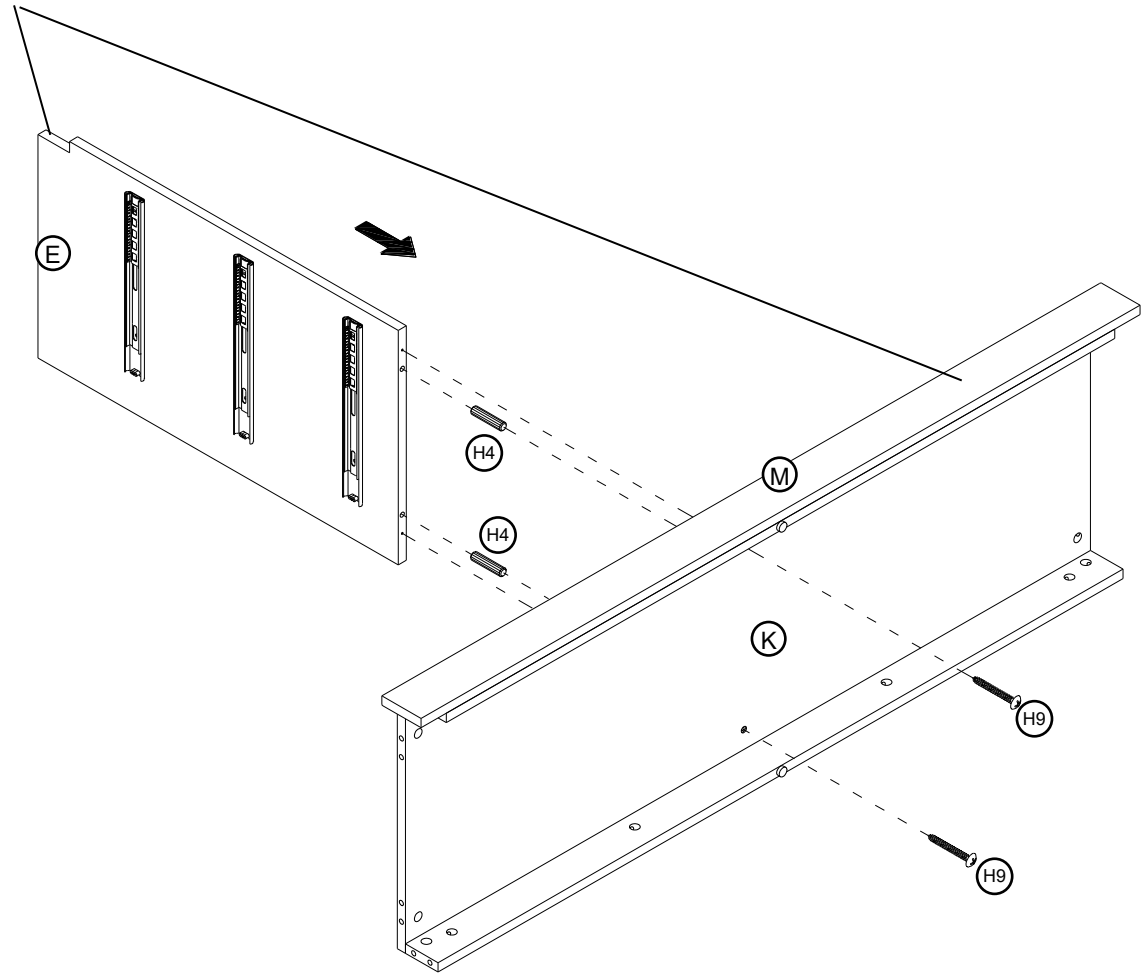
(H12) x 1
metal bracket



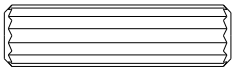
Using the pilot holes as a guide, attach the metal bracket (H12) to the bottom panel (K).

step 10.

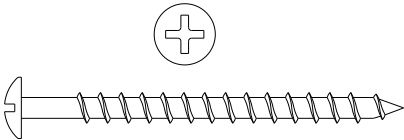
The notch and the front stretcher point in the same direction



(H4) x 2
M8 x 30 mm wood dowel

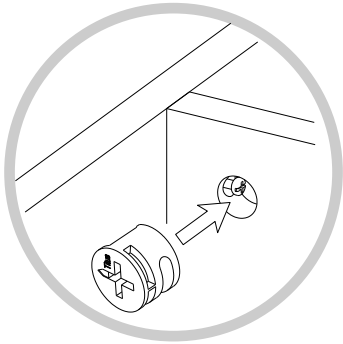


(H9) x 2
M4 x 50 mm screw



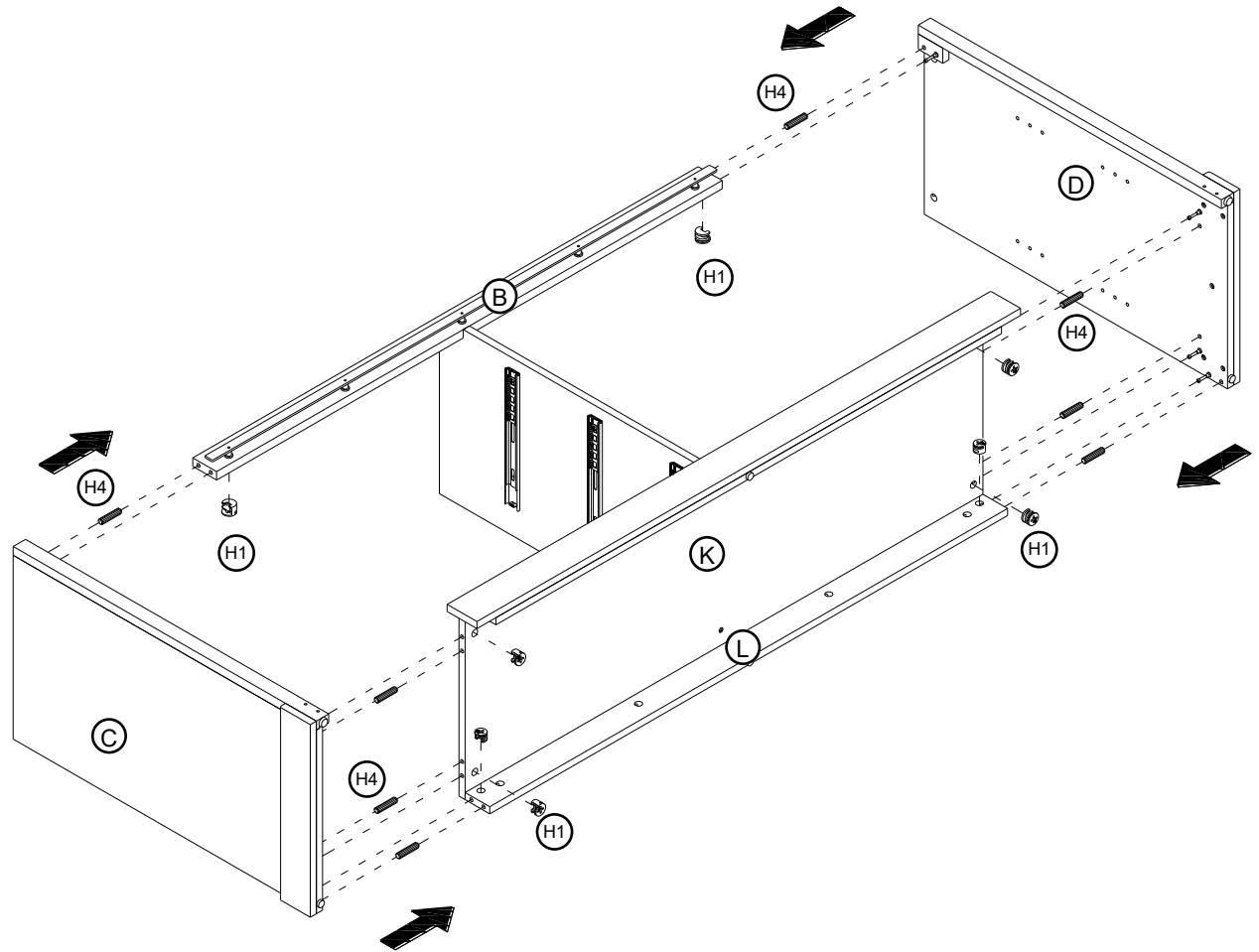
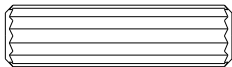
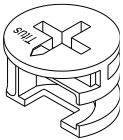
Attach the partition panel (E) to the bottom panel (K).

step 11.



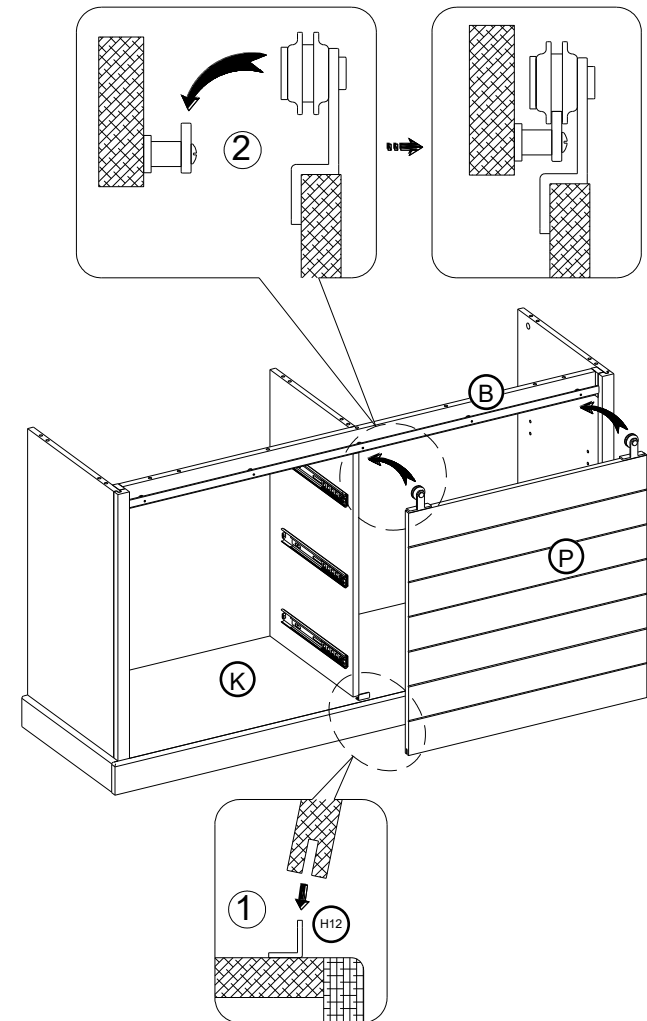
(H1) x 8
large cam lock

(H4) x 8
M8 x 30 mm wood dowel



Attach the bottom panel assembly and top front stretcher with hanging bar (B) between the side panels (C and D).

step 12.

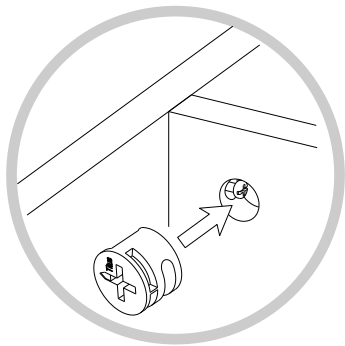


Stand the previous assembly upright.

Hook two rollers onto the pre-attached hanging bar on the top front stretcher (B).

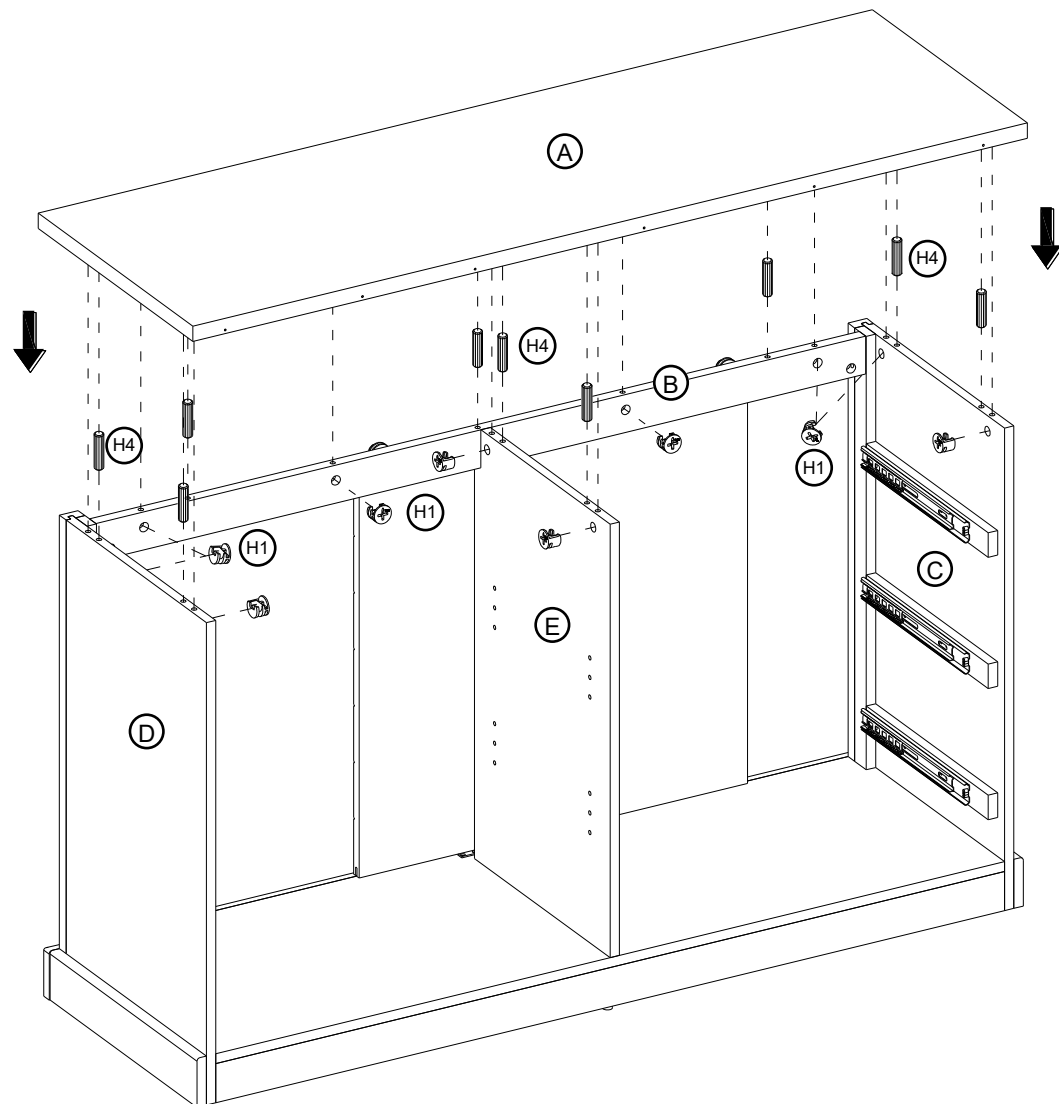
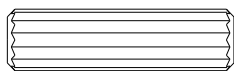
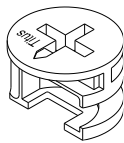
Take the bar door (P) and make sure that the bottom groove fit onto the installed metal bracket (H12) on bottom panel (K) properly.

step 13.



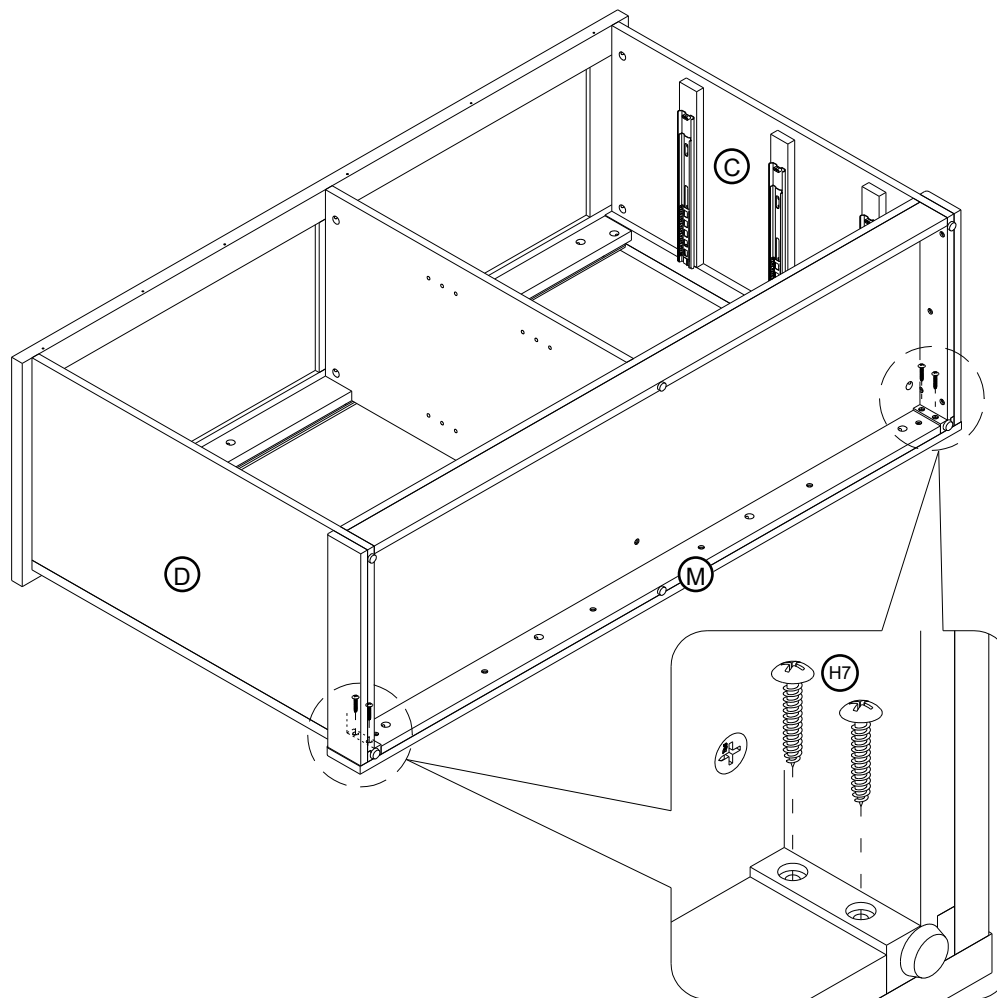
(H1) x 10
large cam lock

(H4) x 9
M8 x 30 mm wood dowel

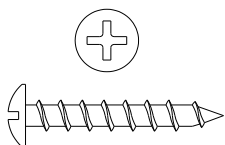


Attach top panel (A) to the vertical panels (C, D and E) and the top front stretcher (B).

step 14.



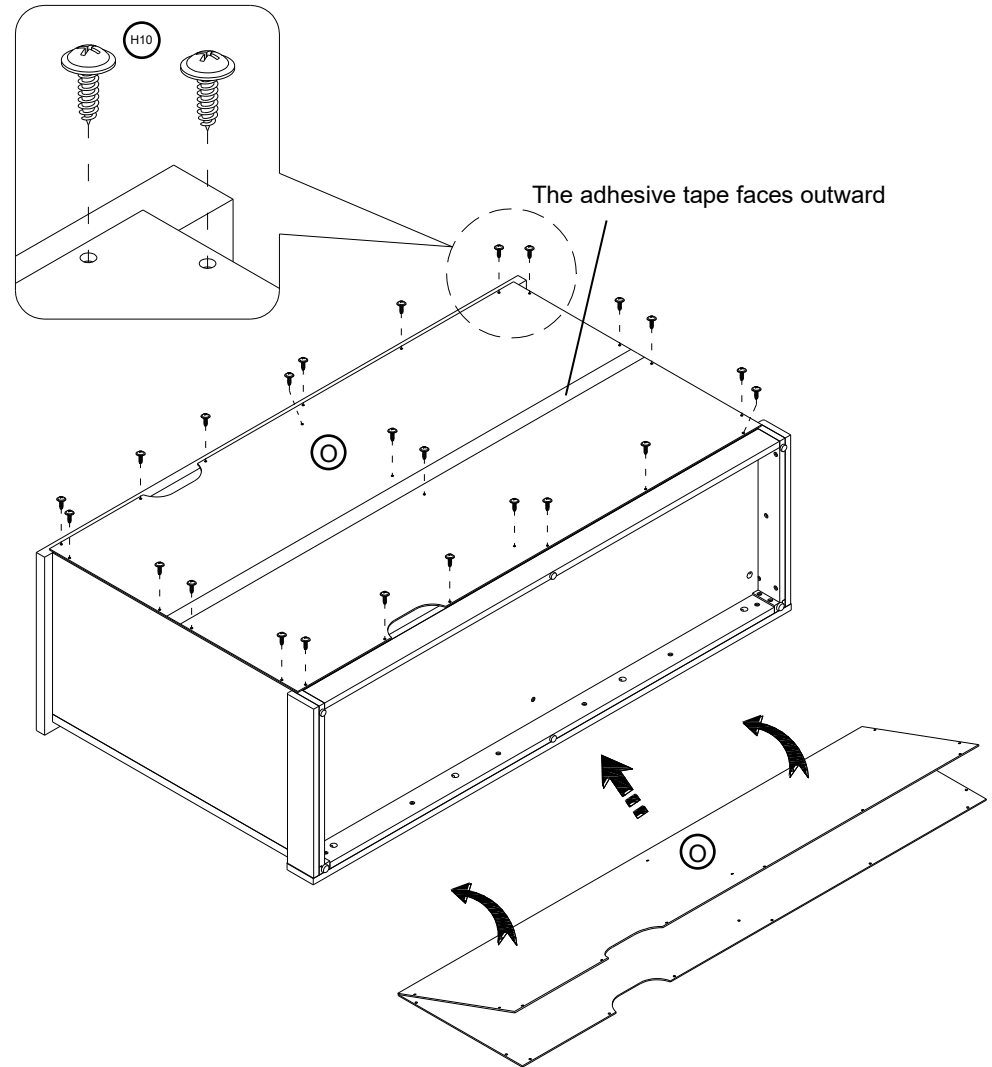
(H7) x 4
M4 x 25 mm screw



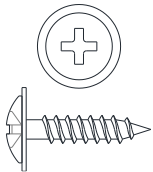
Flip around the assembled unit at its front edge.
Fasten the side panel moldings to the bottom front stretcher (M).

step 15.

NOTE: Go back and tighten all cam locks and screws before attaching the back panel. Make sure that all the parts are tight and there are no gaps between the pieces.



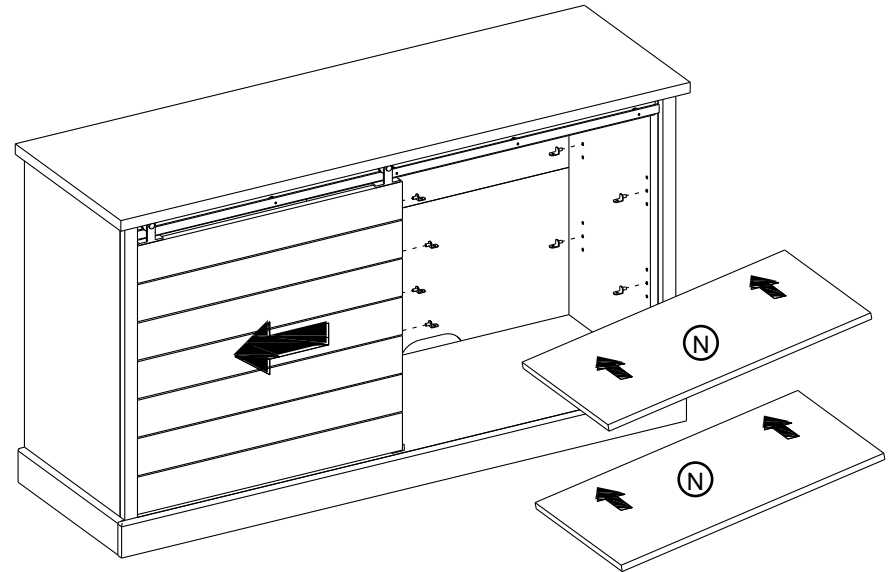
(H10) x 24
M3.5 x 15 mm screw



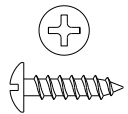
Unfold the back panel (O) and align its holes with the pilot holes on the back edge of top panel (A). Fasten the back panel (O) into place.

NOTE: We recommend attaching back panel with the screws at the corners first.

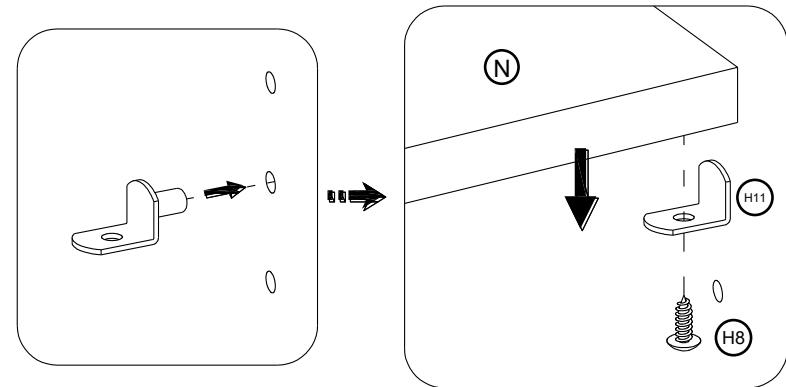
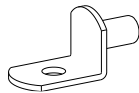
step 16.



(H8) x 8
M3.5 x 12 mm screw

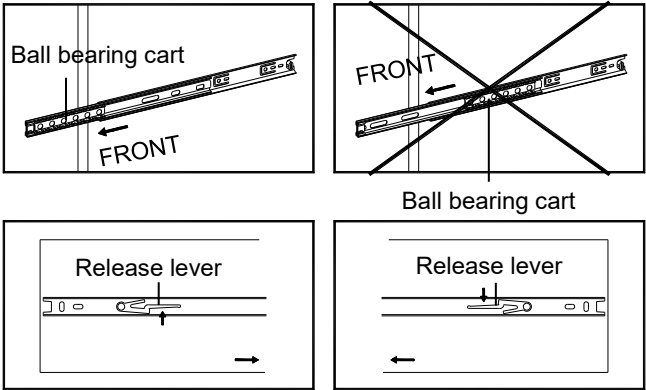


(H11) x 8
shelf pin

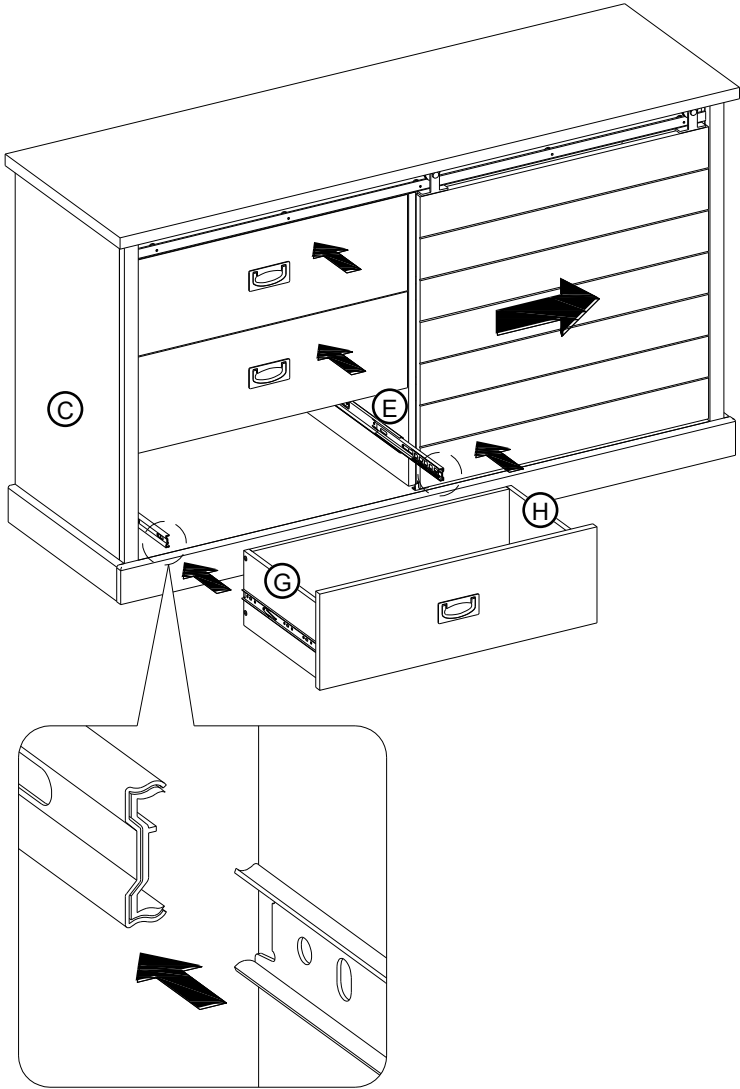


Ask for assistance to lift the unit upright.
Insert the shelf pins into the desired holes in the right compartment, make sure you place the four shelf pins in the same level so the shelf is not tilted.
Tilt and rest adjustable shelves (N) onto shelf pins (H11) and secure them into place with 12mm screws (H8).

step 17.

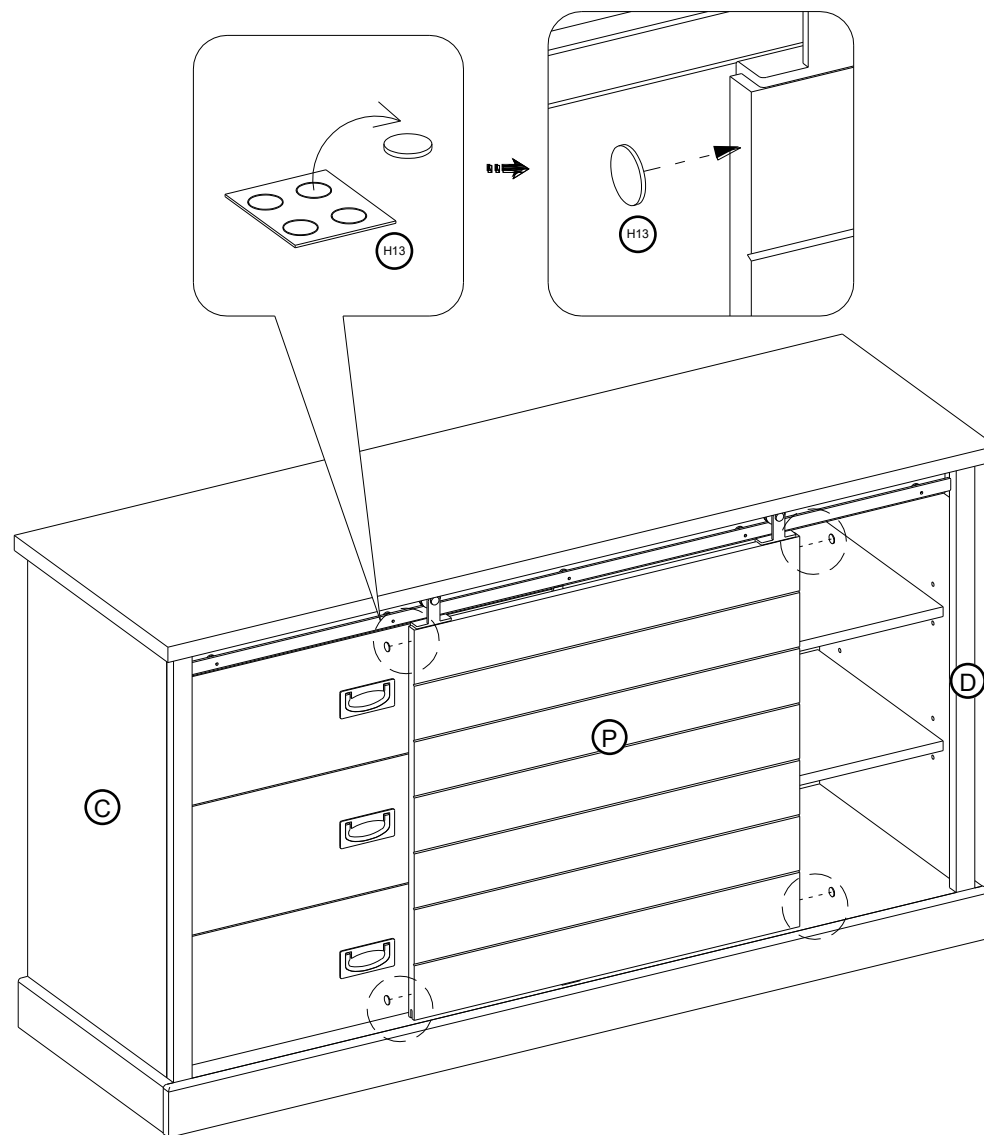


Drawer installation

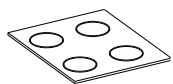


Insert the assembled drawers into the frame.

step 18.



(H13) x 4
rubber bumper

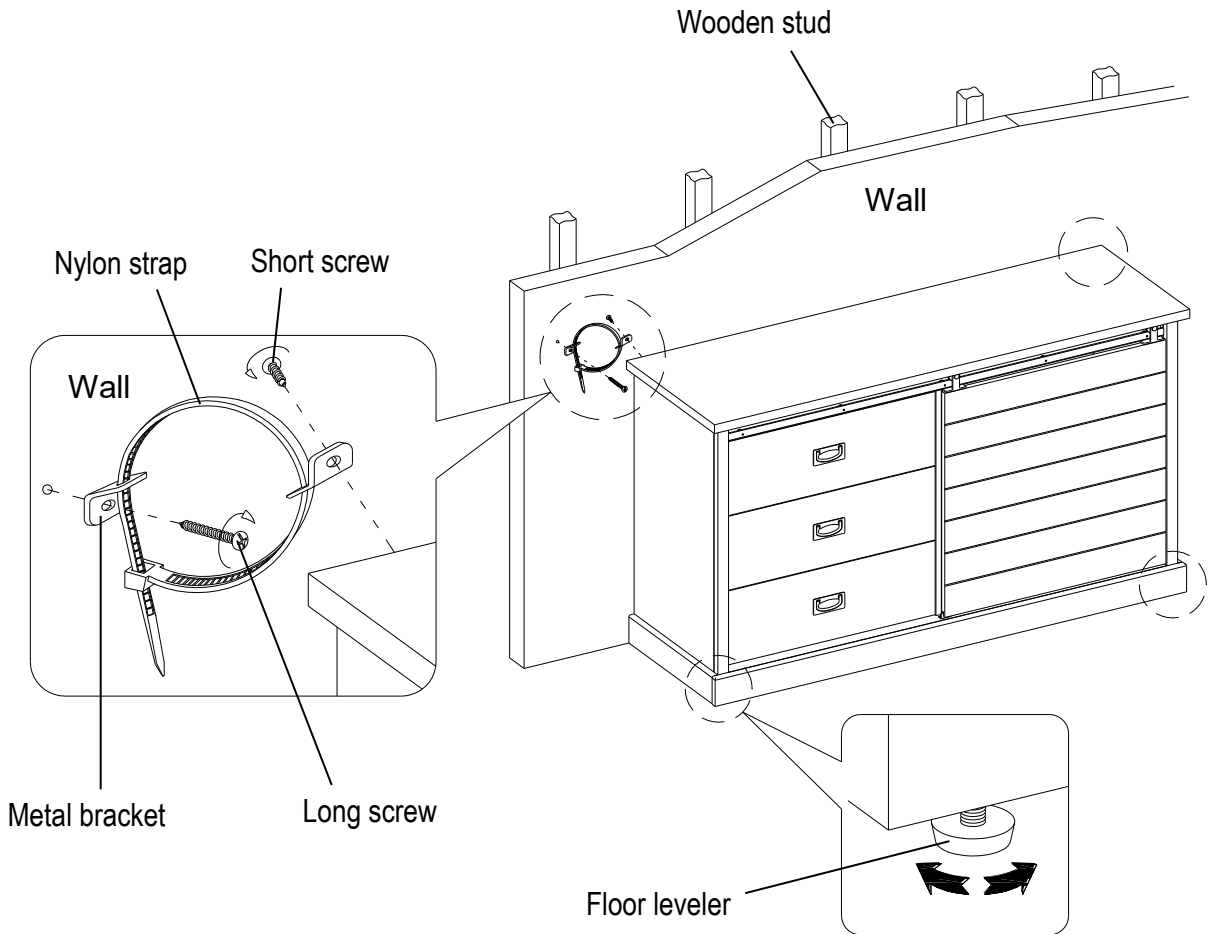


Stick the rubber bumpers (H13) to the barn door (P) where they will meet the side panels (C and D).

step 19.



(H15) x 2
tipping restraint hardware kit



Tools required: Phillips screwdriver, stud finder, measure tape, pencil, power drill and 1/8" drill bit.

Adjust the pre-attached floor levelers to level the unit against a wall.

Follow the instructions printed on plastic bag containing tipping restraint hardware to attach tip-over restraint between the unit and wall.

NOTE: You must use this tipping restraint to attach this unit to the wall, to prevent accidents and/or injuries.

Care and Maintenance

- Use a soft, clean cloth that will not scratch the surface when dusting.
- Use of furniture polish is not necessary. Should you choose to use polish, test first in an inconspicuous area.
- Using solvents of any kind on your furniture may damage the finish.
- Never use water to clean your furniture as it may cause damage to the finish.
- Always use coasters under beverage glasses and flowerpots.
- Liquid spills should be removed immediately. Using a soft, clean cloth, blot the spill gently. Avoid rubbing.
- Always use protective pads under hot dishes and plates. Heat can cause chemical changes that may create spotting within the furniture finish.
- Stains or marks from crayons or ink markers will be difficult to remove.
- In the event that your furniture is stained or otherwise damaged during use, we recommend that you call a professional to repair your furniture.
- Check bolts/screws and nuts periodically and tighten them if necessary.

Further Advice about Wood Furniture Care

It is best to keep your furniture in a climate-controlled environment. Extreme temperature and humidity changes can cause fading, warping, shrinking and splitting of wood. It is advised to keep furniture away from direct sunlight as sun may damage the finish.

Proper care and cleaning at home will extend the life of your purchase. Following these important and helpful tips will enhance your furniture as it ages.

We hope you enjoy your purchase for many years.
Thank you for your purchase!

QUALITY GUARANTEE

We are confident that you will be delighted with your Whalen Furniture purchase.

Should this product be defective in workmanship or materials or fail under normal use, we will repair or replace it for up to one (1) year from date of purchase. Every Whalen Furniture product is designed to meet your highest expectations. We guarantee that you will immediately see the value of our fine furniture.

This warranty gives you specific legal rights and you may also have other rights which vary from state to state or province to province.

Customer Service: 1-855-MYTGTHOME (855-698-4846)
8:30 a.m. - 4:30 p.m., PST, Monday to Friday
www.whalenfurniture.com

The maximum recommended weight allowance is 45.4 kg / 100 lb for top surface.

The maximum recommended weight allowance is 13.6 kg / 30 lb for drawer.

The maximum recommended weight allowance is 22.7 kg / 50 lb for shelf.

WARNING

Please use your furniture correctly and safely. Improper use can cause safety hazards, or damage to your furniture or household items. Carefully read the following safety information.

Death or serious injury may occur when children climb on audio and/or video equipment furniture. A remote control or toys placed on the furnishing may encourage a child to climb on the furnishing and as a result may tip over onto the child.

NEVER allow children to climb or play with the TV or furnishing supporting the TV.

NEVER place toys, food, remote, etc. on top of the TV or TV furnishing.

ALWAYS use either the safety hardware as instructed or other wall anchoring device.

Relocating audio and/or video equipment to furniture not specifically designed to support audio and/or video equipment may result in death or serious injury due to furniture collapse or over turning onto a child.

NEVER place a TV on furniture that is not intended to support a TV.

NEVER exceed the maximum size and weight of the TV shown in the instructions.

Be sure to refer to the TV warning label as shown in the instructions.

Overloading drawers and shelves may result in furniture that can break or sag, or tip-over which may result in injury.

NEVER exceed the weight limits shown in the instructions.

Place the heavier items on lower shelves as far back from the front as possible.

Load the bottom surfaces first to avoid top-heavy furniture.

Moving furniture that is not designed to be moved or equipped with casters may result in injury or damage to furnishings or personal property.

ALWAYS unload shelves and drawers, starting with the top surfaces, before moving.

NEVER push or pull furniture on carpet. Have a friend help lift properly to move and/or reposition it.

The unit is not meant as a seat and no one should be sitting or standing on the top panel.

