



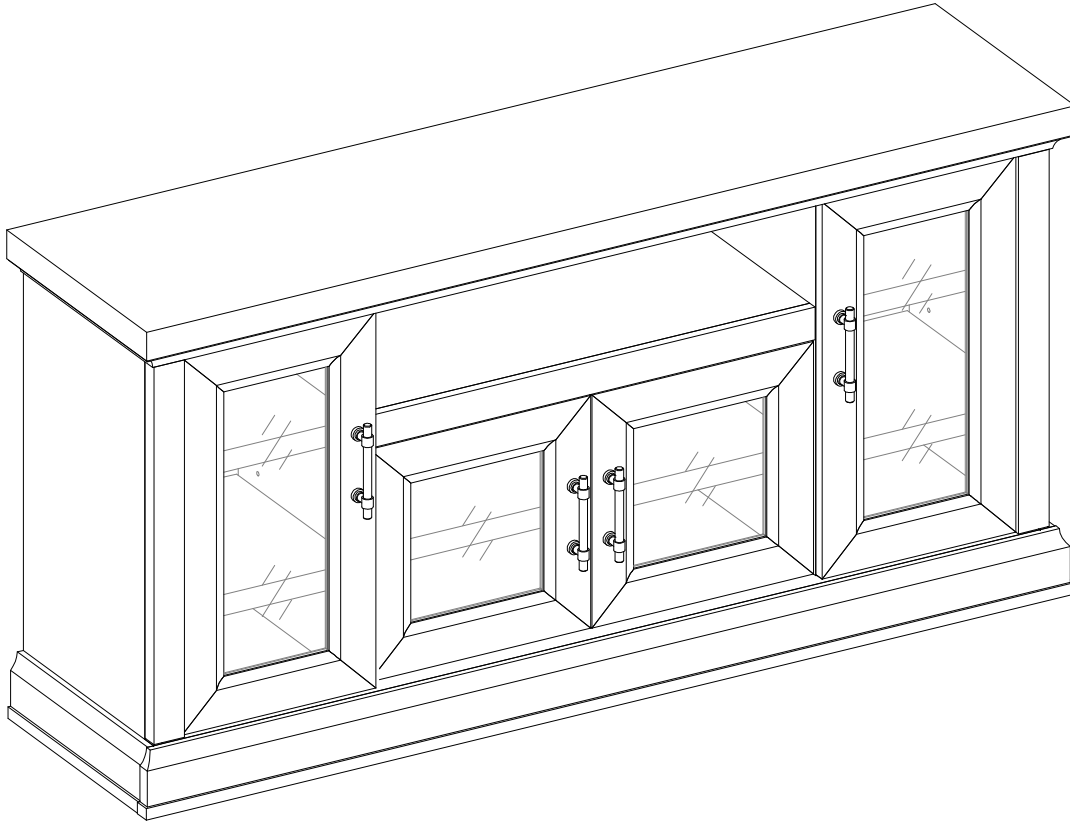
WHALEN®

LOT NUMBER: _____

DATE PURCHASED: __/__/__

60" TV Console

Model # BBAVCD60-1BR



ADULT ASSEMBLY REQUIRED

If you have any questions regarding assembly or if parts are missing, DO NOT return this item to the store where it was purchased. Please call our toll-free customer service number and have your instructions and parts list ready to provide the model name, part name or factory number:

1-866-942-5362

Pacific Standard Time: 8:30 a.m. - 4:30 p.m., Monday - Friday

Or visit our website 24 hours a day, 7 days a week for product assistance at

www.whalenfurniture.com

Or e-mail your request to: **parts@whalenfurniture.com**

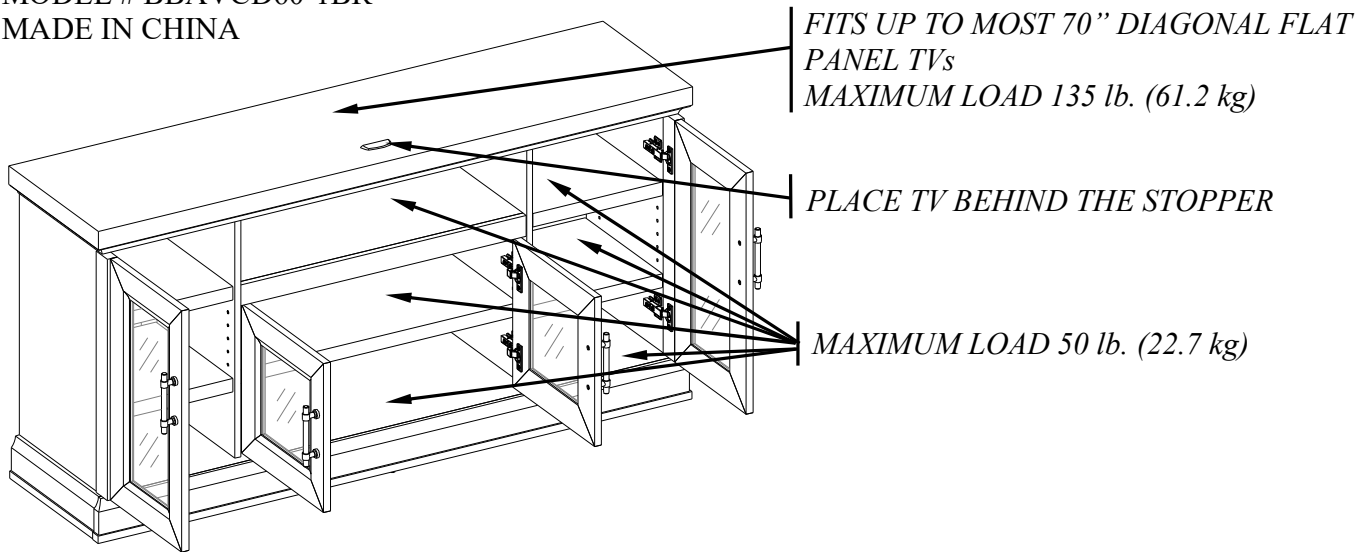
**THIS INSTRUCTION BOOKLET CONTAINS IMPORTANT SAFETY INFORMATION.
PLEASE READ AND KEEP FOR FUTURE REFERENCE.**

Date 2019-09-02

Rev. 0001-C

MAXIMUM RECOMMENDED WEIGHT LOADS

MANUFACTURER: Whalen Furniture Manufacturing
CATALOG: 60" TV Console
MODEL # BBAVCD60-1BR
MADE IN CHINA



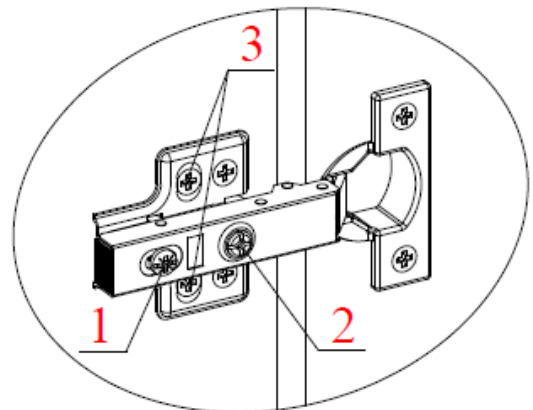
WARNING

THIS UNIT IS NOT INTENDED FOR USE WITH CRT TVS. USE ONLY WITH FLAT PANEL TVS AND AUDIO/VIDEO EQUIPMENT MEETING RECOMMENDED SIZE AND WEIGHT LIMITS. NEVER USE WITH LARGER/HEAVIER THAN RECOMMENDED FLAT PANEL TVS OR EQUIPMENT. TO AVOID INSTABILITY, PLACE FLAT PANEL TV IN THE CENTER OF THE UNIT; THE BASE OF THE TELEVISION MUST BE ABLE TO REST ON THE SUPPORTING SURFACE OF THE UNIT WITHOUT OVER-HANGING THE EDGES. IMPROPERLY POSITIONED FLAT PANEL TVS, OR FLAT PANEL TVS INCLUDING OTHER EQUIPMENT THAT EXCEED RECOMMENDED SIZE AND WEIGHT LIMITS COULD FALL OFF OR BREAK THE UNIT, CAUSING POSSIBLE SERIOUS INJURY. FOR USE WITH TELEVISIONS WEIGHING 135 LBS (61.2 KG) OR LESS. USE WITH HEAVIER TELEVISIONS MAY RESULT IN INSTABILITY CAUSING TIP OVER RESULTING IN DEATH OR SERIOUS INJURY.

How to adjust the European adjustable hinges on doors

Shipping may cause doors to go out of alignment. If you find that the doors need to be adjusted slightly, turn the appropriate screw, as illustrated.

1. TO ADJUST DOOR FORWARD OR BACKWARD.
2. TO ADJUST DOOR TO RIGHT OR TO LEFT.
3. TO ADJUST DOOR UP OR DOWN.

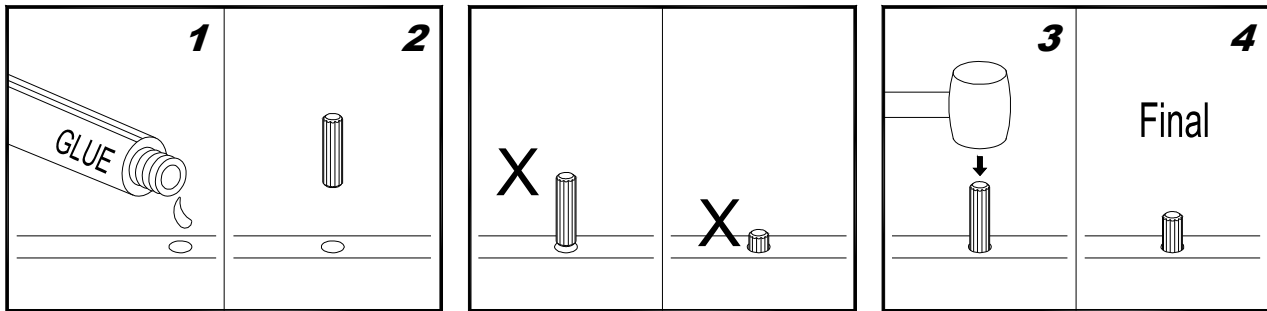


IMPORTANT

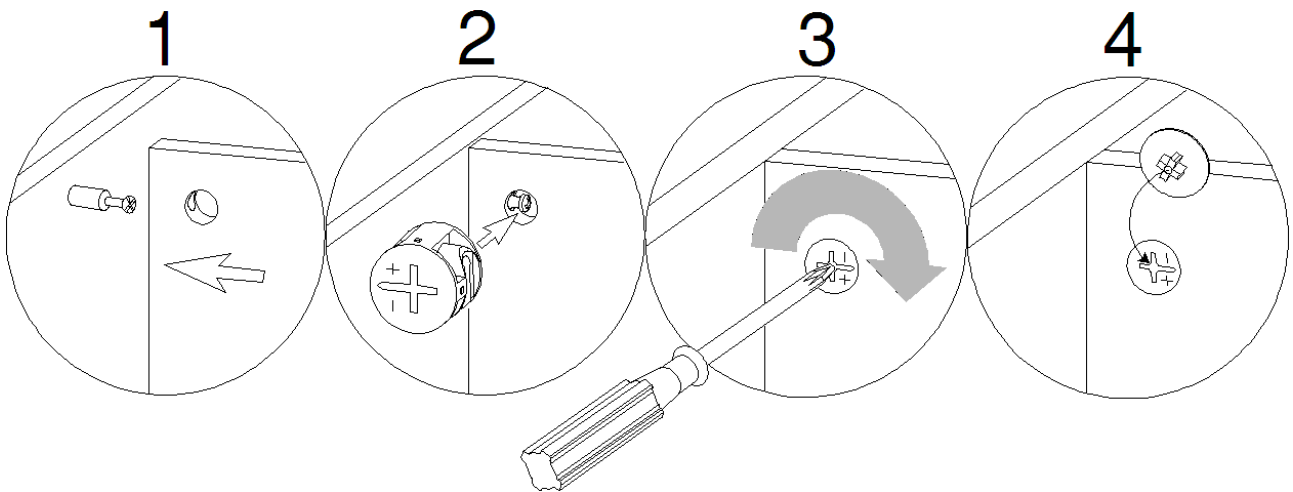
Before you begin: Open, identify and count all parts prior to assembly. Lay out parts on a flat and non-abrasive surface. You will need the parts identified on page 4 and 5 of this instruction manuals.

NOTE: IT IS VERY IMPORTANT TO USE GLUE WITH DOWELS. EXCESS GLUE CAN BE WIPED OFF WITH DAMP CLOTH.

Insert Dowel at least half way by tapping lightly with a rubber mallet IF NECESSARY.



CAM LOCK SYSTEM OPERATION



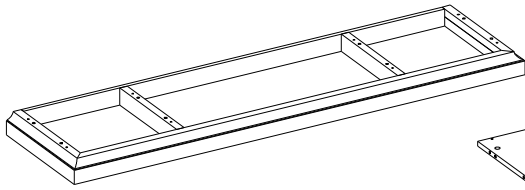
HOW THE KNOCK DOWN (KD) ASSEMBLY SYSTEM WORKS

1. Screw Cam Bolt into the pre-drilled small holes on panel. Connect both panels together; making sure Cam Bolt goes into pre-drilled hole on the end of panel with Cam Lock.
2. Insert Cam Lock into pre-drilled large hole on panel. Make sure arrow on Cam Lock is pointed toward Cam Bolt.
3. Once Cam Bolt is connected inside Cam Lock, take a Phillips screwdriver and tighten Cam Lock clockwise.
4. Plug Cam Cap into the cross slot of the Cam Locks to conceal the cam.

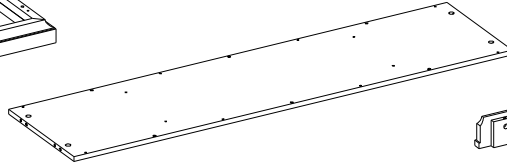
You are now ready to assemble the KD unit.

Parts and Hardware List

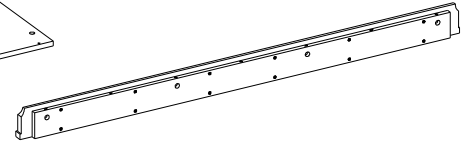
Please read completely through the instructions and verify that all listed parts and hardware are present before beginning assembly.



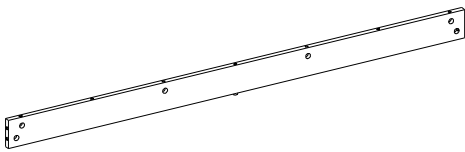
A- Top Panel (Qty. 1)



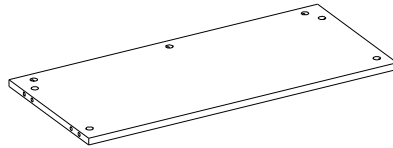
B- Bottom Panel (Qty. 1)



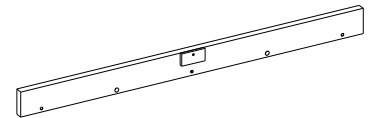
C- Bottom Front Molding (Qty. 1)



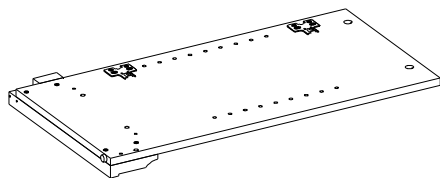
D- Bottom Back Stretcher (Qty. 1)



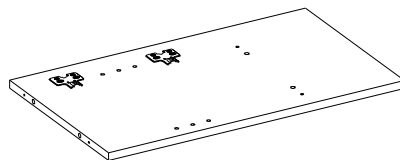
E- Fixed Shelf (Qty. 1)



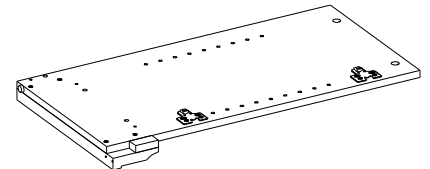
F- Middle Crossbar (Qty. 1)



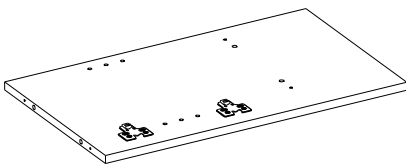
G- Left Side Panel (Qty. 1)



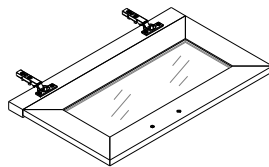
H- Left Partition Panel (Qty. 1)



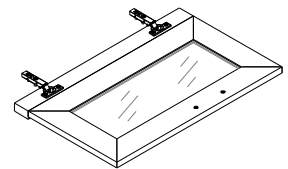
I- Right Side Panel (Qty. 1)



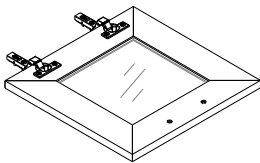
J- Right Partition Panel (Qty. 1)



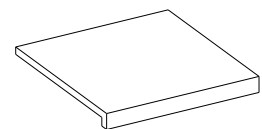
K- Left Door (Qty. 1)



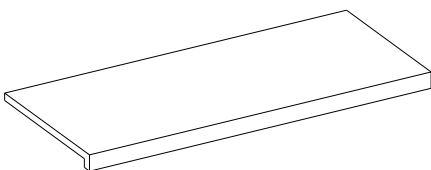
L- Right Door (Qty. 1)



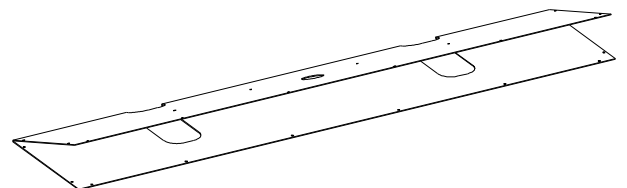
M- Middle Door (Qty. 2)



N- Small Adjustable Shelf (Qty. 4)



O- Large Adjustable Shelf (Qty. 1)



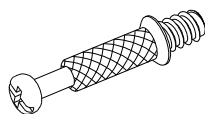
P- Back Panel (Qty. 1)

Parts and Hardware List

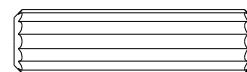
Please read completely through the instructions and verify that all listed parts and hardware are present before beginning assembly.



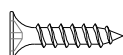
(1) Cam Lock
(Qty. 29+1 extra)



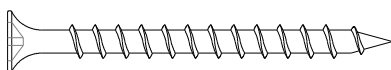
(2) Cam Bolt
(Qty. 29+1 extra)



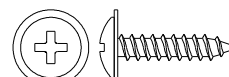
(3) M8 x 30 mm Wood Dowel
(Qty. 30+1 extra)



(4) M3.5 x 15 mm Flat Head Screw
(Qty. 9+1 extra)



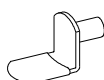
(5) M4 x 50 mm Wood Screw
(Qty. 4+1 extra)



(6) M3.5 x 15 mm Washer Head Screw
(Qty. 24+1 extra)



(7) Door Stopper (Qty. 1)



(8) Shelf Support (Qty. 20+1 extra)



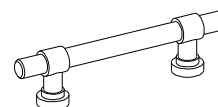
(9) Angle Metal Bracket (Qty. 2)



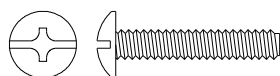
(10) Floor Leveler
(Qty. 2)



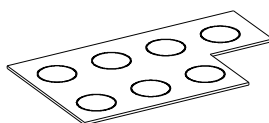
(11) Cam Lock Cover
(Qty. 8+1 extra)



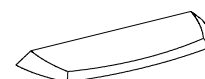
(12) Handle
(Qty. 4)



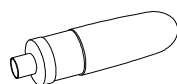
(13) Handle Bolt (Qty. 8)



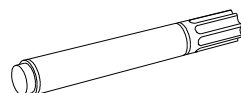
(14) Rubber Bumper (Qty. 6+1 extra)



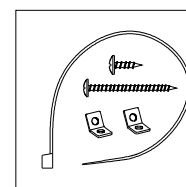
(15) Acrylic Stopper (Qty. 1)



Glue
(Qty. 1)



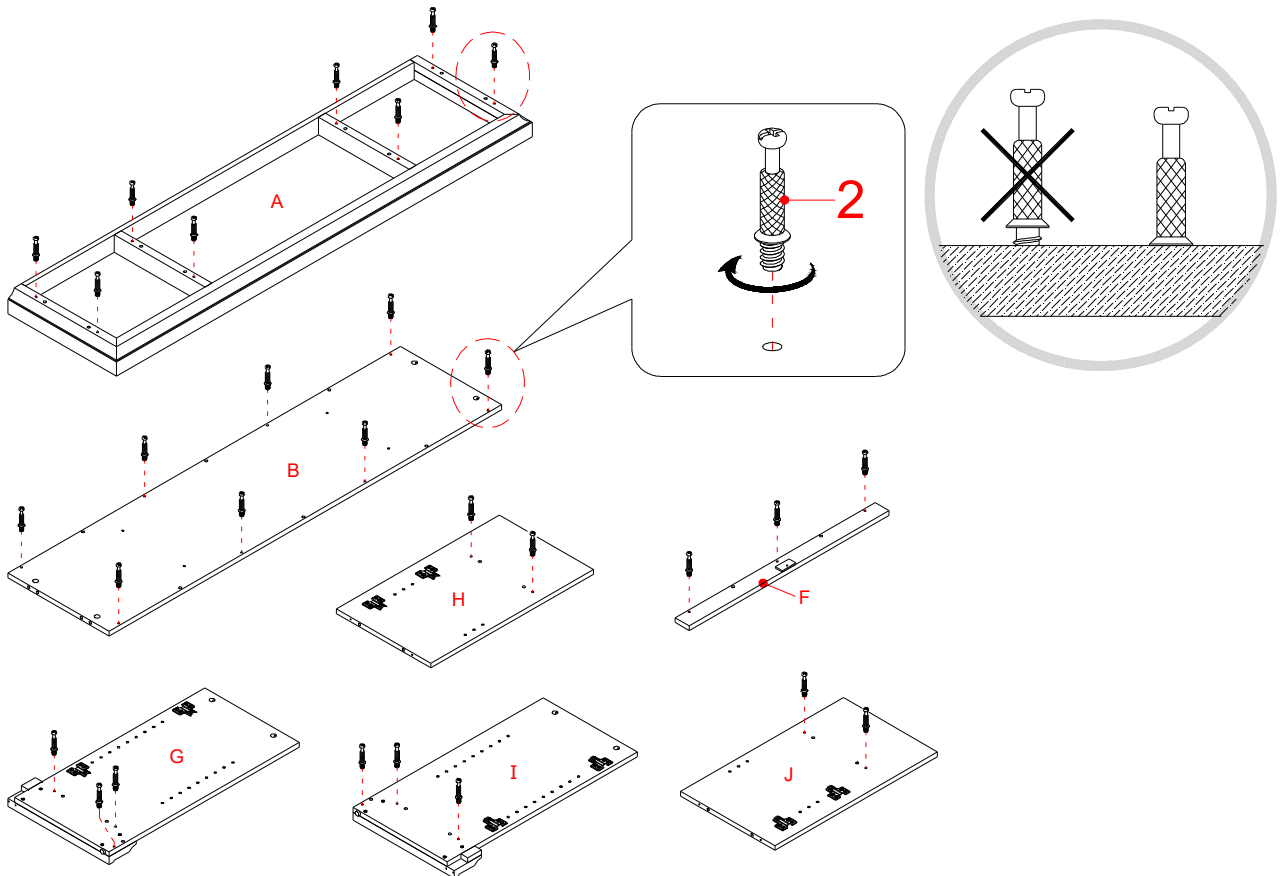
Touch-up Pen
(Qty. 1)



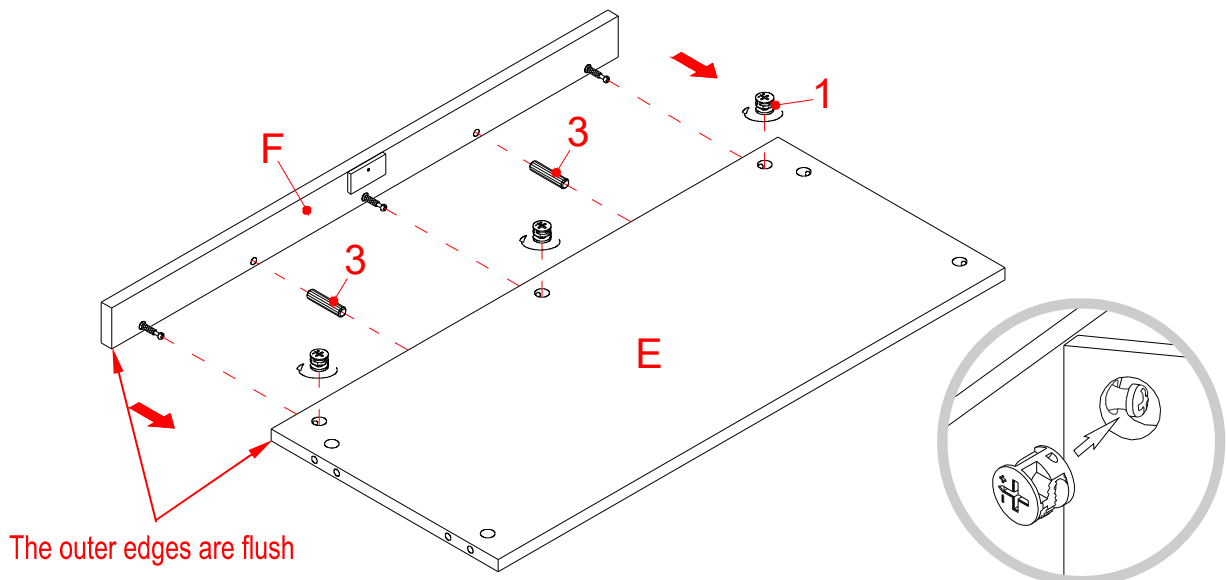
Tipping Restraint Hardware Kit (Qty. 2)
(Included in plastic bag)

Tools required: Phillips screwdriver (not provided).

Assembly Instructions

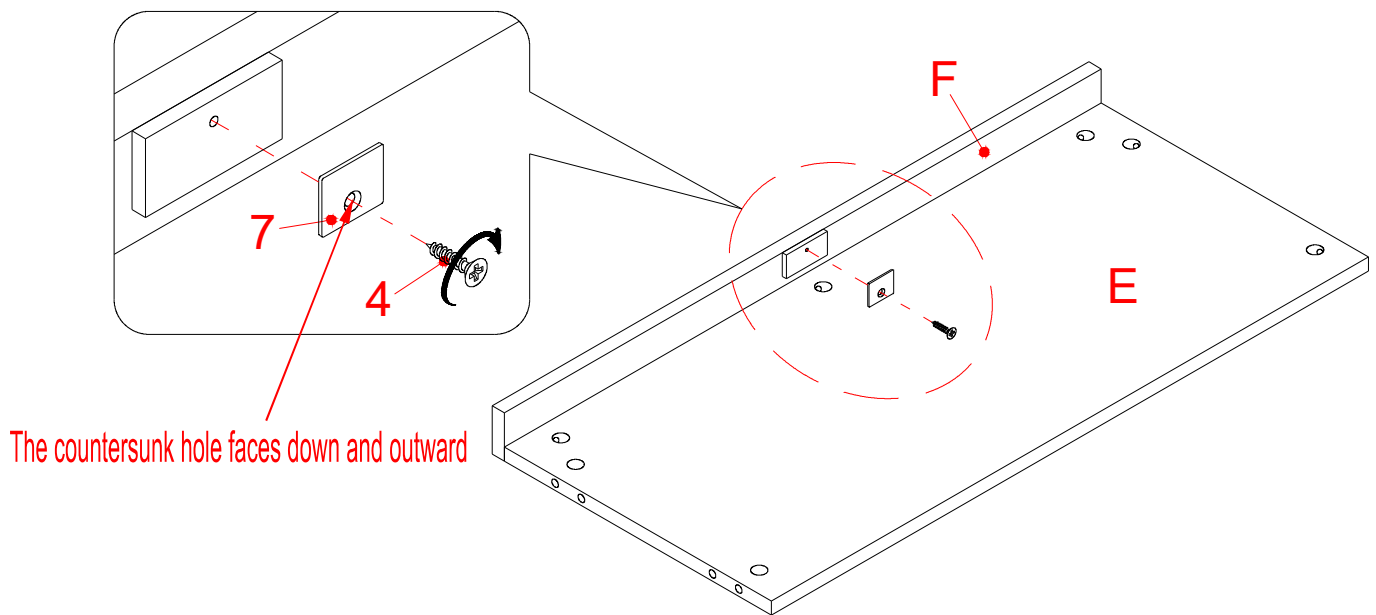


1. Unpack the unit and confirm that you have all the hardware and required parts. Assemble the unit on a carpeted floor or the empty carton to avoid any scratch.
2. Securely screw the Cam Bolts (2) into the designated small holes on the Panels (A, B, G, H, I and J) and the Middle Crossbar (F) using a Phillips screwdriver, as shown in the illustration.

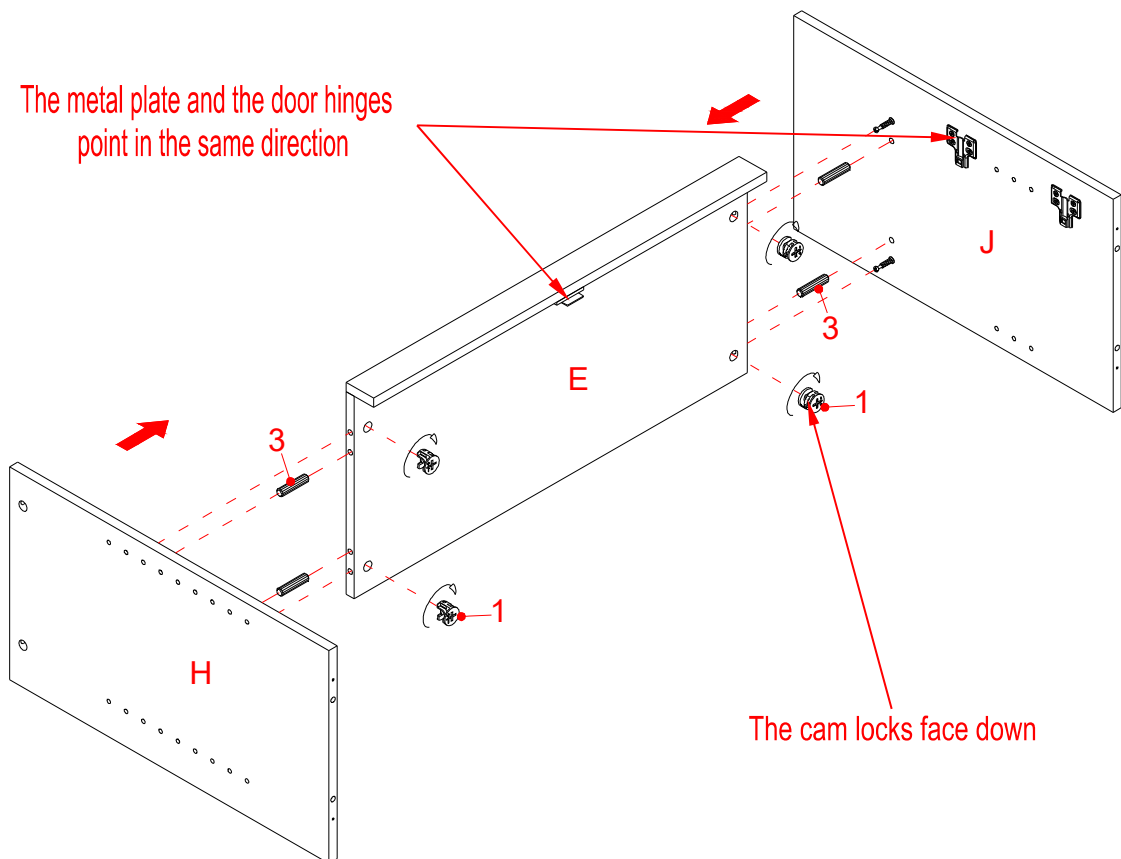


3. Align and attach the Middle Crossbar (F) to the Fixed Shelf (E) with two Wood Dowels (3) and three Cam Locks (1) (Refer to page 3 on Cam Lock system operation supplement). Tap in with a rubber mallet, if necessary. Make sure that you use a small amount of glue with both ends of all dowels.

Assembly Instructions

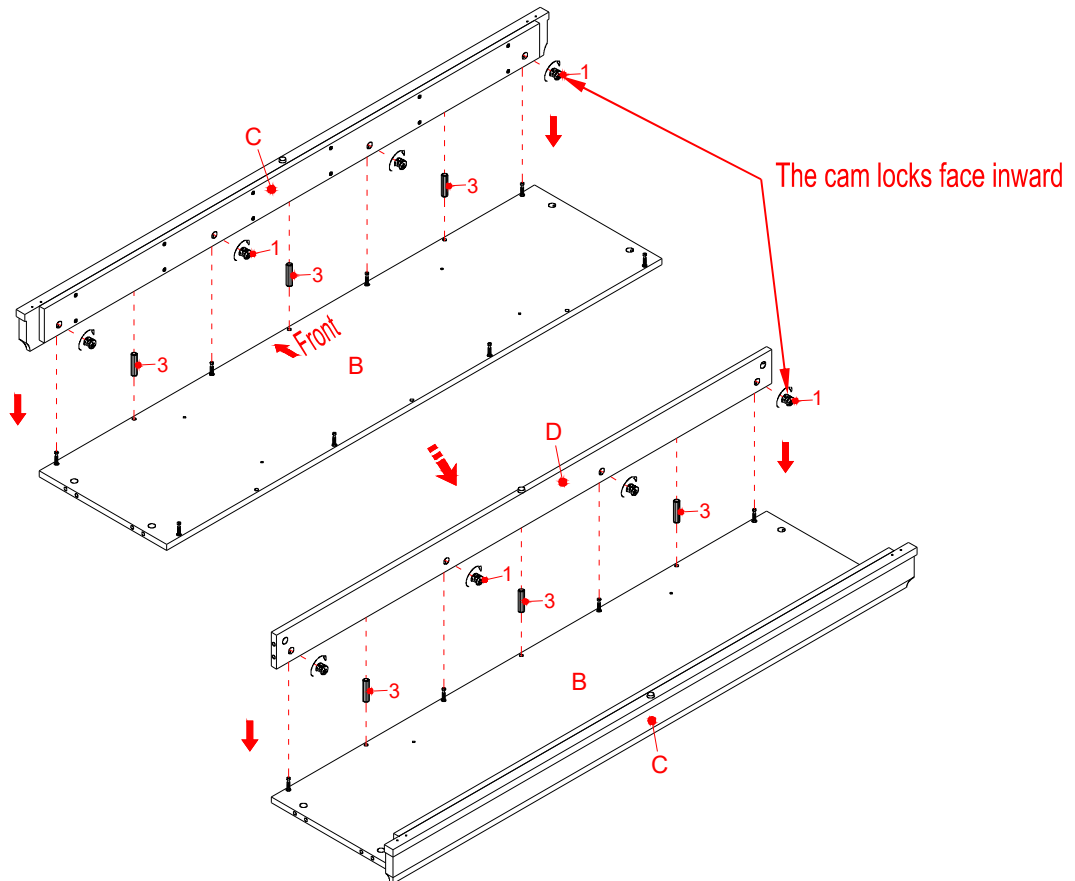


4. With the pilot hole as a guide, fasten the Door Stopper (7) to the Middle Crossbar (F) with one 15 mm Flat Head Screw (4).

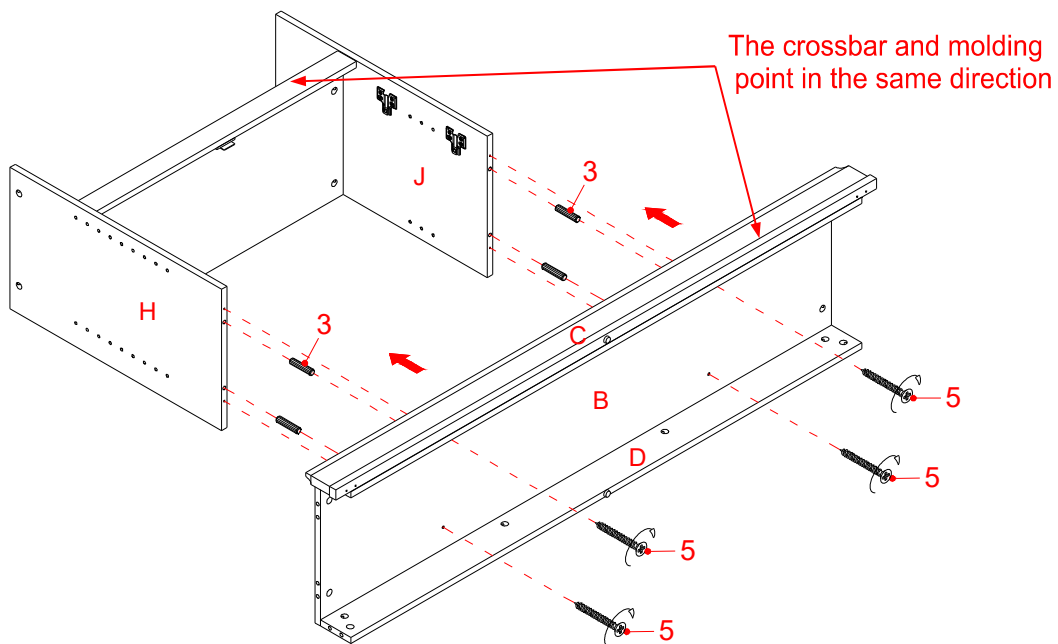


5. Align and attach the assembled Fixed Shelf (E) between the Partition Panels (H and J) with four Wood Dowels (3) and four Cam Locks (1).

Assembly Instructions

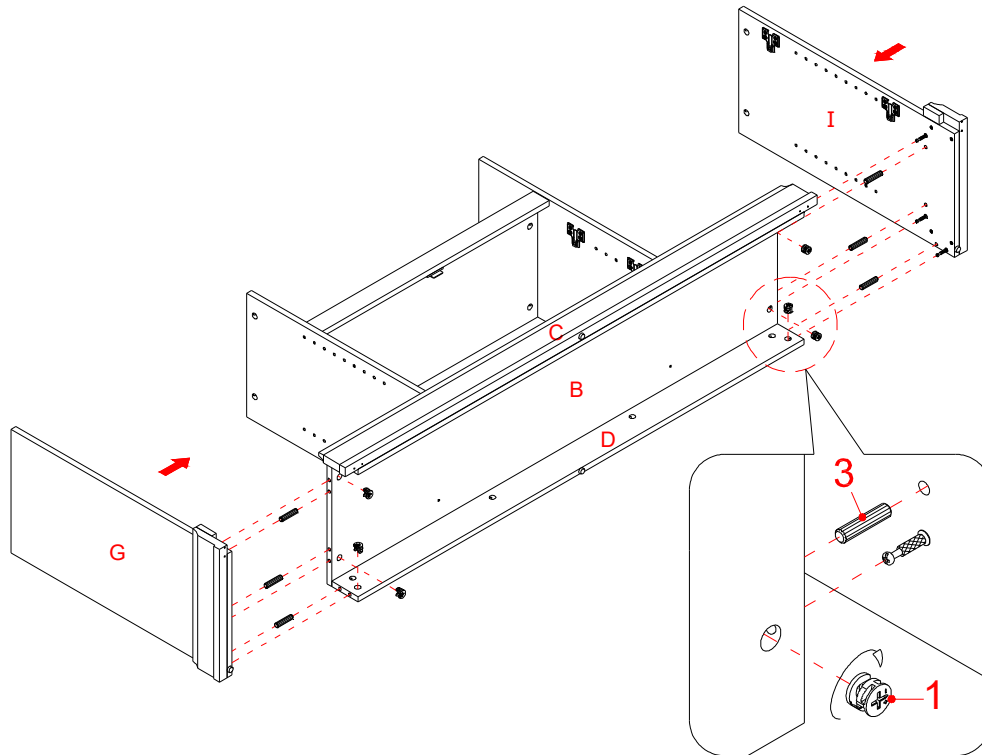


- Align and attach the Bottom Front Molding (C) to the Bottom Panel (B) with three Wood Dowels (3) and four Cam Locks (1).
- Repeat the same procedure to attach the Bottom Back Stretcher (D) to the Bottom Panel (B).

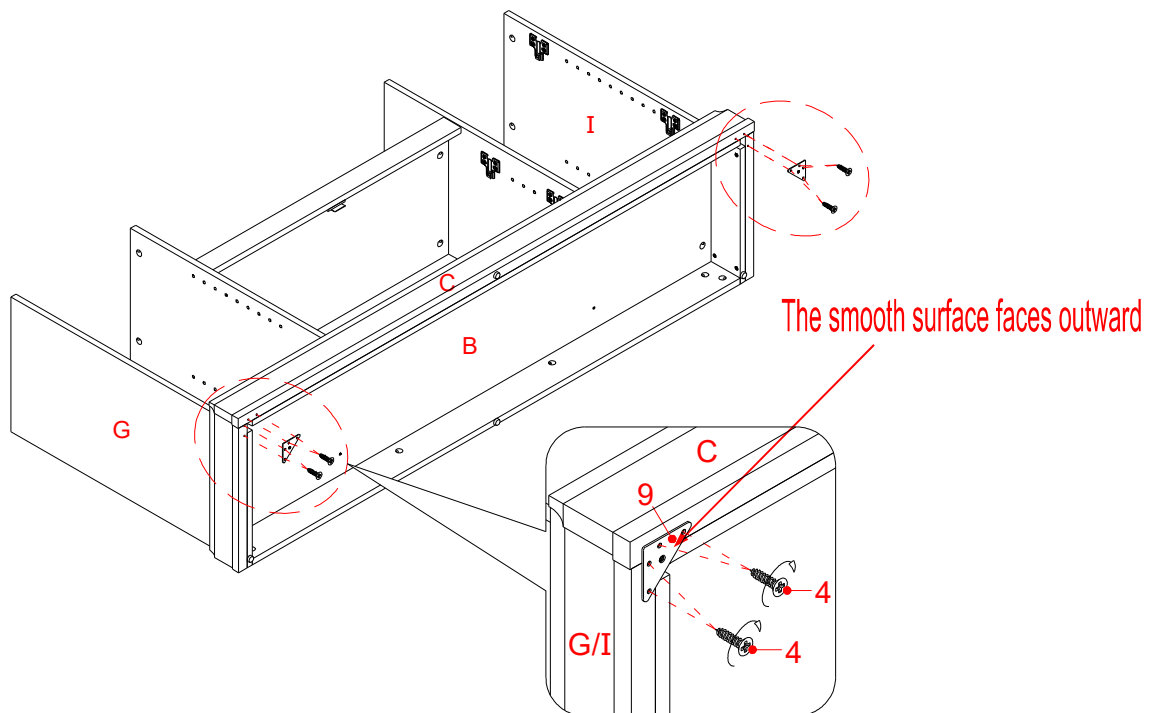


- Glue four Wood Dowels (3) into the inner holes of the Partition Panels (H and J) and attach them to the Bottom Panel (B) with four 50 mm Wood Screws (5).

Assembly Instructions

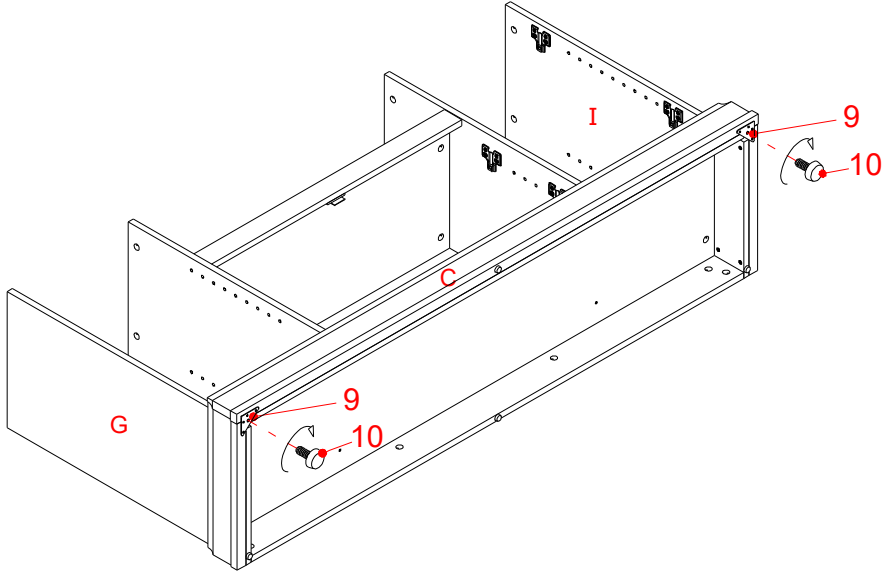


9. Glue six Wood Dowels (3) into the large holes of the assembled base at both ends.
10. Align the large holes on Left Side Panel (G) with the inserted Wood Dowels (3) on the assembled base. Firmly press them together and fasten it in place by engaging three Cam Locks (1).
11. Repeat the previous step to attach Right Side Panel (I) at the other end.

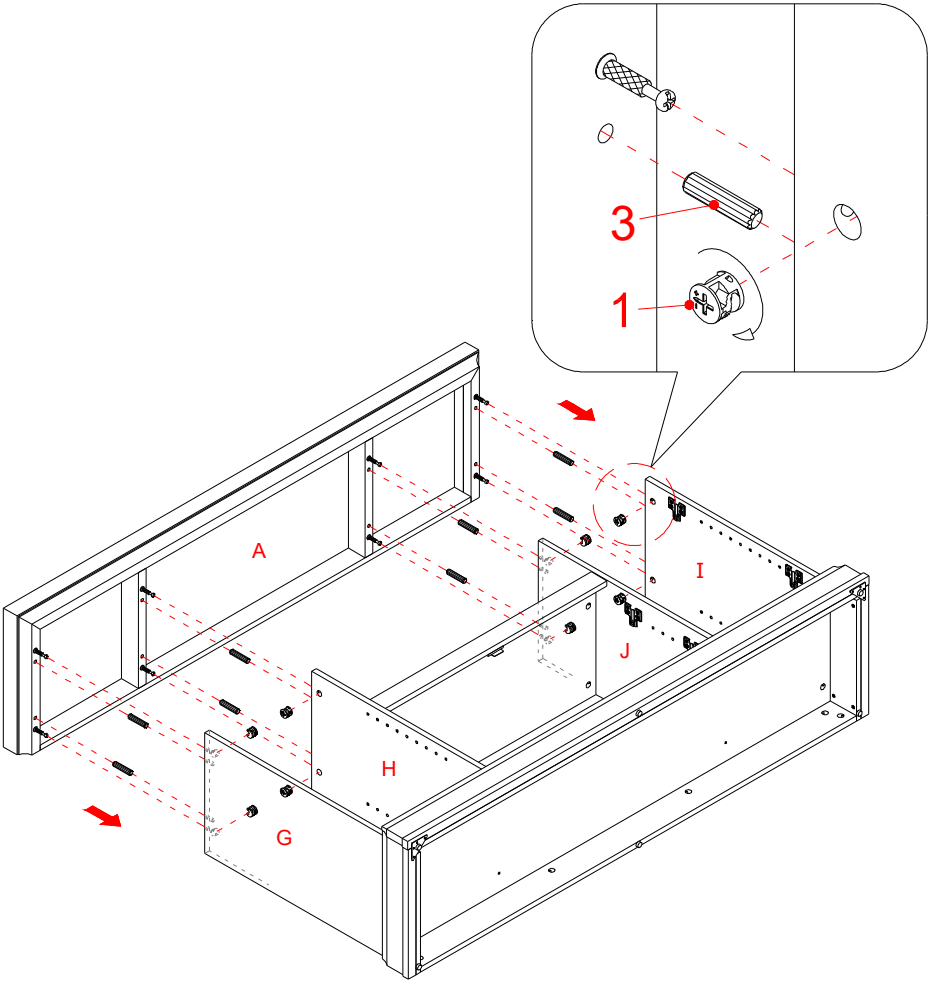


12. With the pilot holes as a guide, align and attach two Angle Metal Brackets (9) to the front corners of the assembled base, using four 15 mm Flat Head Screws (4) per bracket.

Assembly Instructions

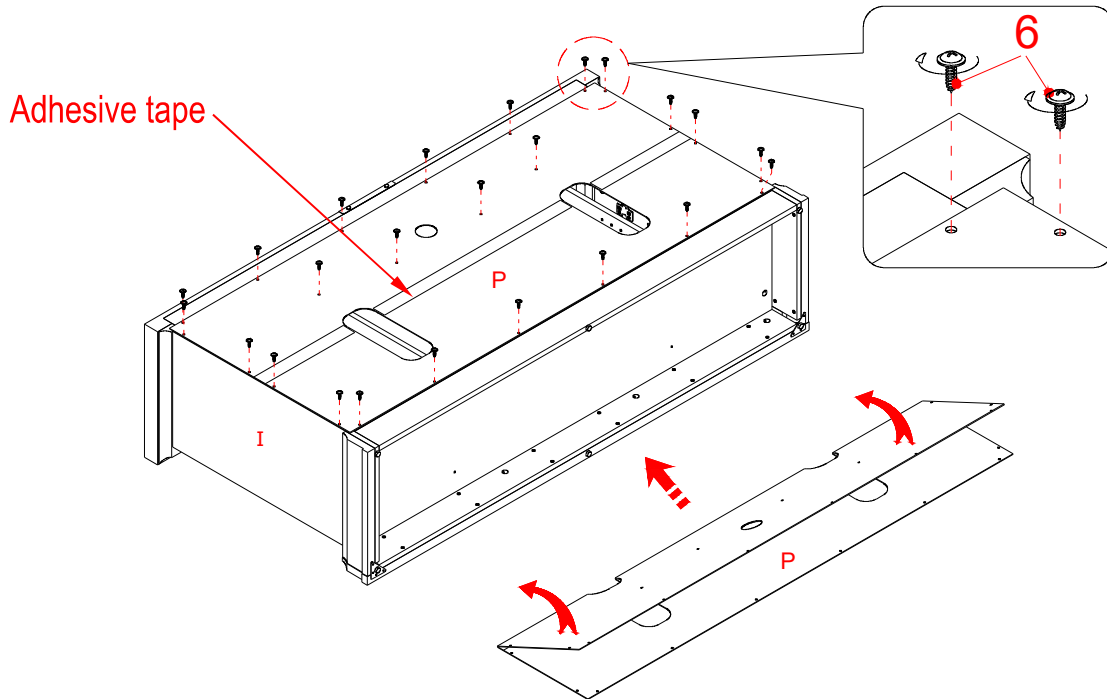


13. Screw two Floor Levelers (10) into the threaded sockets on the Angle Metal Brackets (9) and set to the correct height.



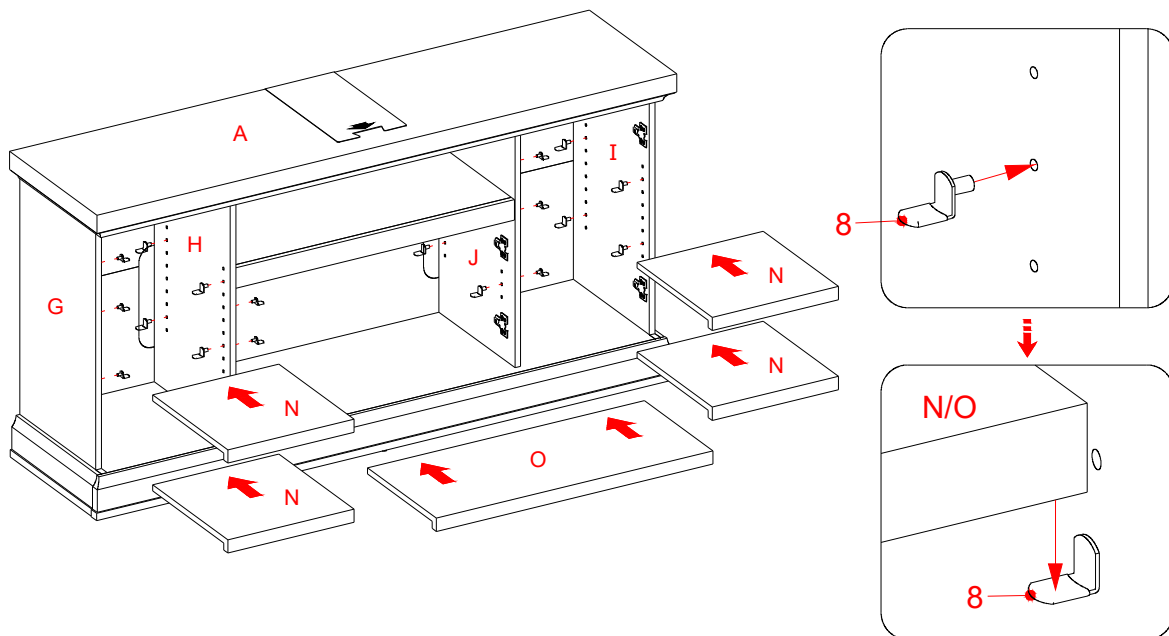
14. Attach the Top Panel (A) to the Side Panels (G and I) and the Partition Panels (H and J) with eight Wood Dowels (3) and eight Cam Locks (1).

Assembly Instructions



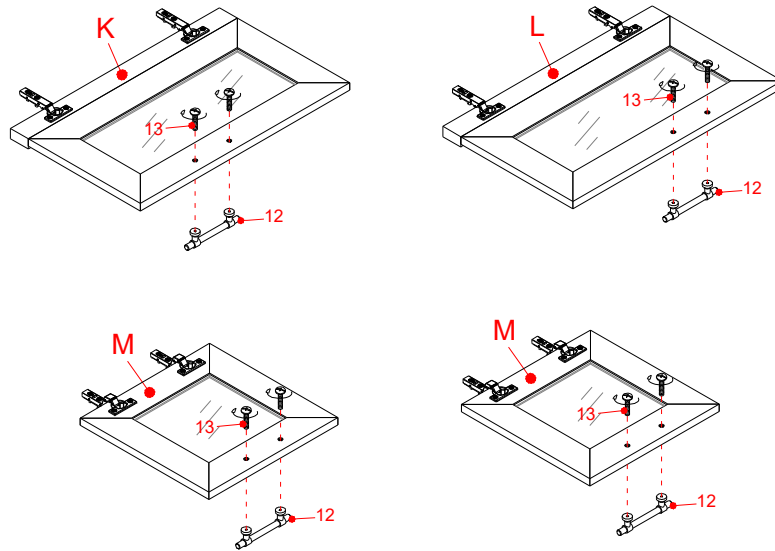
15. Now, go back and tighten all Cam Locks and Screws, make sure that all the parts are tight and there are no gaps between the parts, this will help keep the unit square.
16. Flip the assembled unit around at its front edges. Unfold the Back Panel (P) and position it onto the back edges of the assembly. Make sure that the overlaps on the panels are even all the way around. Secure the Back Panel (P) in place with the 15 mm Washer Head Screws (6).

NOTE: We recommend attaching back panel with the screws at the corners first.

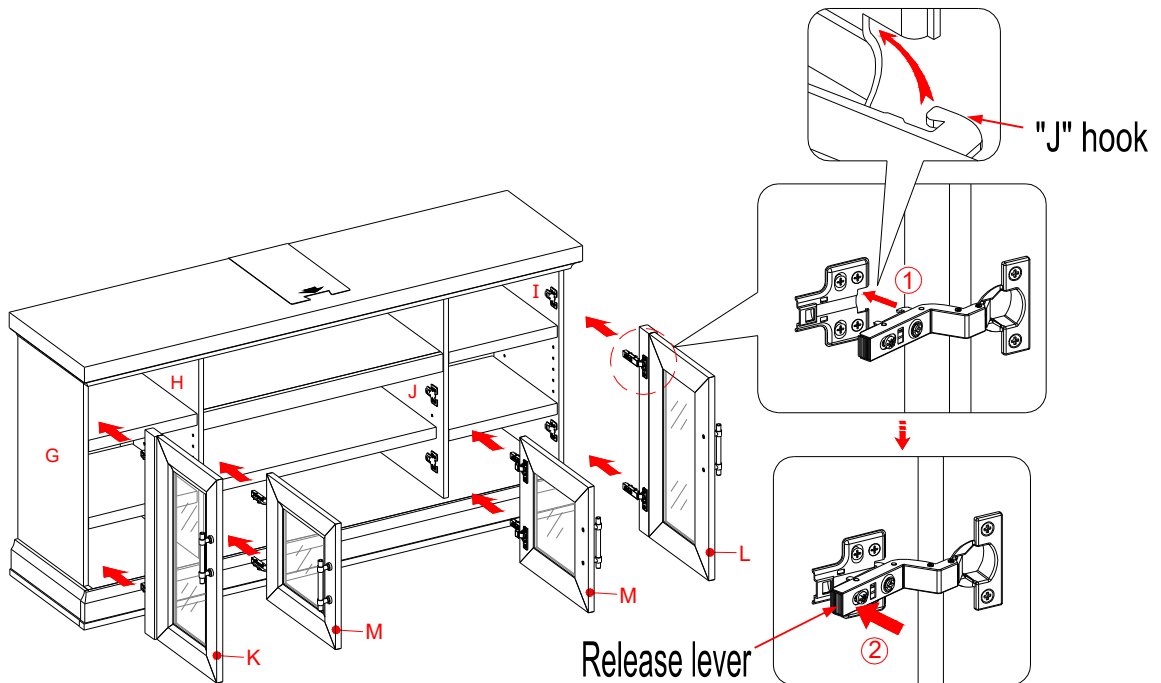


17. Ask for assistance to stand the assembled unit upright.
18. Insert the Shelf Supports (8) into the desired holes in the sides of the side compartments. Make sure you place the four Shelf Supports (8) in the same level so the shelf is not tilted. Tilt and rest the Adjustable Shelves (N and O) onto the Shelf Supports (8).

Assembly Instructions



19. Attach the Handle (12) to the front of each Door (K, L and M) with two Handle Bolts (13).



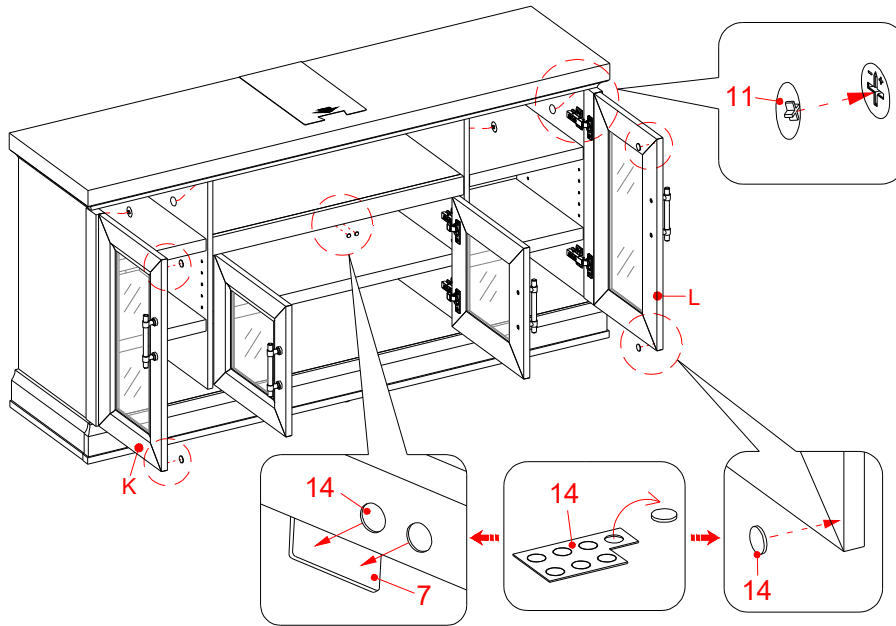
20. Pick up the Right Door (L) and attach it to Right Side Panel (I) by engaging both door hinges together. Please follow the steps below to combine the door hinges together.

- a). Extend both hinge arms of the Door (L) to open position.
- b). Locate the lugs on the mounting plates pre-attached on the right side panel (I) into the "J" hooks beneath the hinge arms.
- c) Press lightly on the end of both hinge arms to engage the catch.
- d) To remove the hinge arms from the mounting plates, press gently in the release lever on the back of hinge arms.

21. Repeat the same procedure with the remaining Doors (K and M).

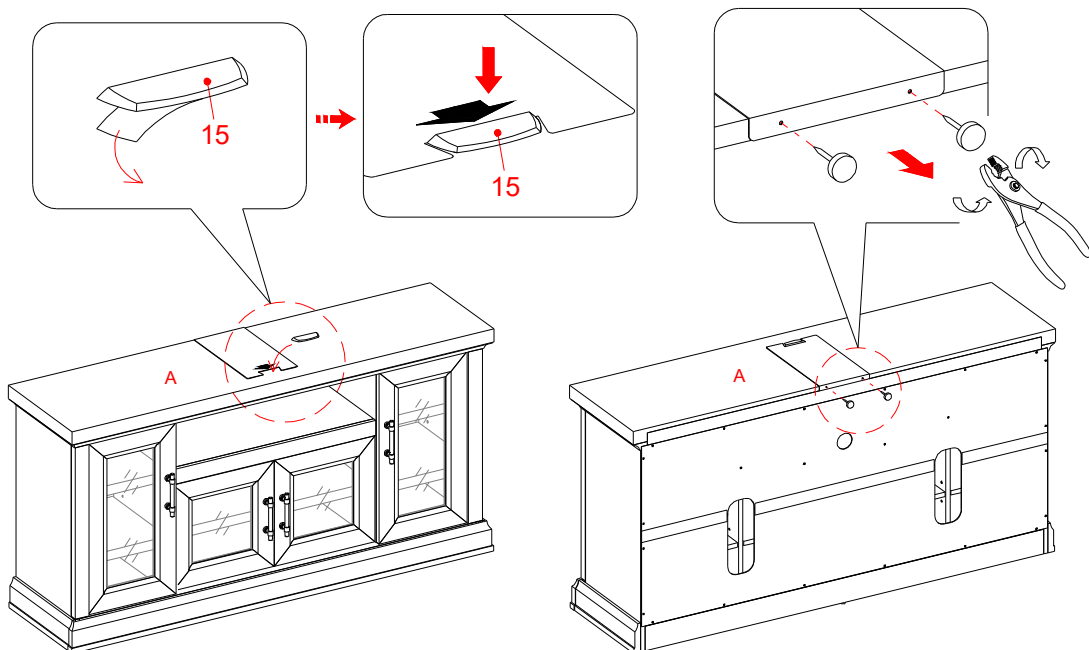
22. Open and close the doors to make sure they are aligned and shut correctly. If necessary, adjust the screws for a good fit. Refer to the hinge sticker on door for adjustment

Assembly Instructions



23. Plug the Cam Lock Covers (11) onto the visible cams locks to conceal the cams.

24. Stick the Rubber Bumpers (14) on the Door Stopper (7) and the outer corners of Doors (K and L) where they meet the Partition Panels (H and J).

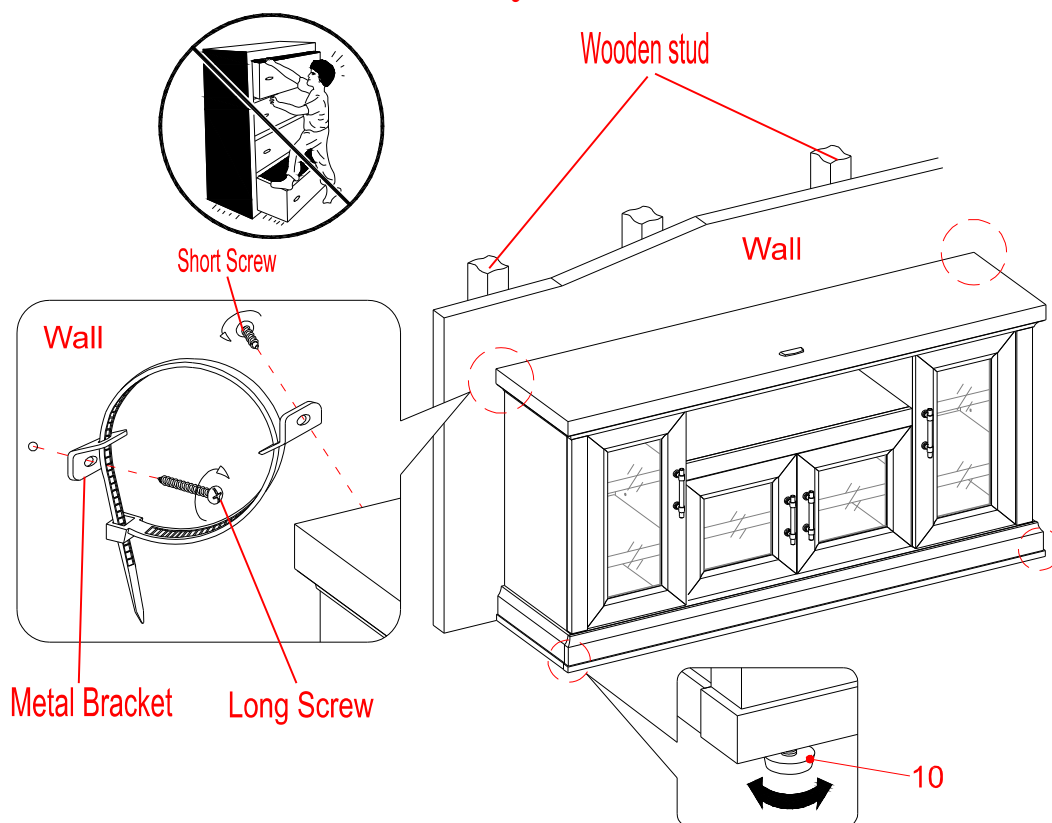


NOTE: To prevent your TV from tipping, you must follow these instructions if you place your flat panel television directly on top of the console. Otherwise, skip to step 26.

25. Remove the paper backing from the Acrylic Stopper (15), then properly align the Acrylic Stopper into the cut-out on the acrylic stopper template on the Top Panel (A). Press down on the acrylic stopper to help adhesion.

26. At the back of Top Panel (A), grip the head of plastic tack with pliers, with twisting motion pull tack loose to remove the acrylic stopper template.

Assembly Instructions



Tools required: Phillips screwdriver, stud finder, power drill and 1/8" drill bit.

27. Position the console at the desired location against a wall. If necessary, adjust the installed floor levelers (10) to correct tilting and/or level the doors.
28. Follow the instructions printed on the plastic bag containing the tipping restraint hardware to attach the tip-over restraints to the unit and the wall.
NOTE: The tipping restraint hardware included is for wooden stud wall construction. It must be attached to a wall stud. Depending upon your wall construction, different anchor hardware maybe required. Please contact your local hardware store for assistance. Young children can be seriously injured by tipping furniture. You must install the Tipping Restraint Hardware with the unit to prevent the unit from tipping, causing any accidents or damage. The tipping restraints are intended only as a deterrent, they are not a substitute for proper adult supervision. The tipping restraints are not earthquake restraints. If you wish to add the extra security of earthquake restraints, they must be purchased and installed separately.
29. The console is now ready for use.

⚠ WARNING



**Children have died from furniture tip-over.
To reduce the risk of furniture tip-over:**

- ALWAYS install tip-over restraint provided.
- FOR use with televisions weighing 135 lbs or less. Use with heavier televisions may result in instability causing tip-over resulting in death or serious injury.
- NEVER allow children to stand, climb or hang on drawers, doors, or shelves.
- NEVER open more than one drawer at a time.
- Place heaviest items in the lowest drawers.

Use of tip-over restraints may only reduce, but not eliminate, the risk of tip-over.

Care and Maintenance

- Use a soft, clean cloth that will not scratch the surface when dusting.
- Use of furniture polishes is not necessary. Should you choose to use polishes, test first in an inconspicuous area.
- Using solvents of any kind on your furniture may damage the finish.
- Never use water to clean your furniture as it may cause damage to the finish.
- Always use coasters under beverage glasses and flowerpots.
- Liquid spills should be removed immediately. Using a soft, clean cloth, blot the spill gently. Avoid rubbing.
- Always use protective pads under hot dishes and plates. Heat can cause chemical changes that may create spotting within the furniture finish.
- In the event that your furniture is stained or otherwise damaged during use, we recommend that you call a professional to repair your furniture.
- Check bolts/screws periodically and tighten them if necessary.

Further Advice about Wood Furniture Care

It is best to keep your furniture in a climate-controlled environment. Extreme temperature and humidity changes can cause fading, warping, shrinking and splitting of wood. It is advised to keep furniture away from direct sunlight as sun may damage the finish.

Proper care and cleaning at home will extend the life of your purchase. Following these important and helpful tips will enhance your furniture as it ages.

A touch-up pen has been provided to minimize the small nicks or scratches that may occur during assembly or shipping.

We hope you enjoy your purchase for many years.
Thank you for your purchase!

QUALITY GUARANTEE

We are confident that you will be delighted with your Whalen Furniture purchase.

Should this product be defective in workmanship or materials or fail under normal use, we will repair or replace it for up to one (1) year from date of purchase. Every Whalen Furniture product is designed to meet your highest expectations. We guarantee that you will immediately see the value of our fine furniture.

This warranty gives you specific legal rights and you may also have other rights which vary from State to State.

Whalen Furniture Manufacturing,
1578 Air Wing Road, San Diego, CA 92154, USA
Customer Service: 1-866-942-5362
8:30 a.m. - 4:30 p.m., PST, Monday to Friday
www.whalenfurniture.com