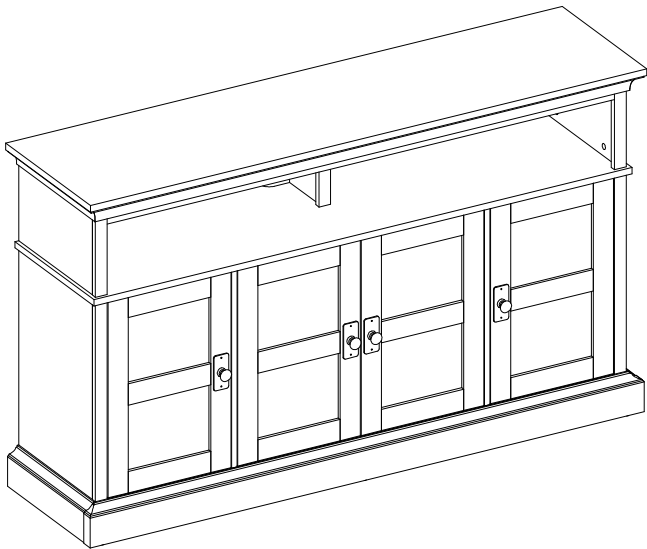




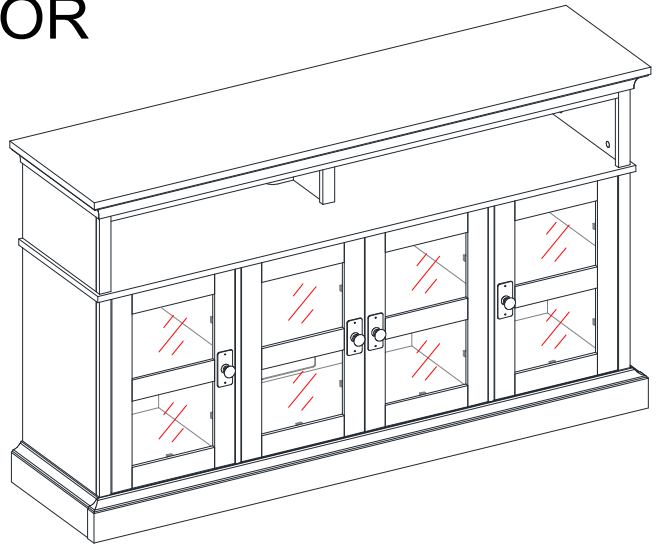
LOT NUMBER: _____
DATE PURCHASED: __/__/__

60" TV Console

Model # BBAVCWL60-BC



OR



ADULT ASSEMBLY REQUIRED

If you have any questions regarding assembly or if parts are missing, DO NOT return this item to the store where it was purchased. Please call our toll free customer service number and have your instructions and parts list ready to provide the model name, part name or factory number:

1-866-942-5362 8:30 a.m. - 4:30 p.m. PST, Monday - Friday

ONLINE: www.whalenfurniture.com

EMAIL: parts@whalenfurniture.com



On-line Video Instruction Guides

Go to www.guides.sellpoints.com to view step-by-step instructional videos for assembling and installing your product. Enter the following product number on the website.

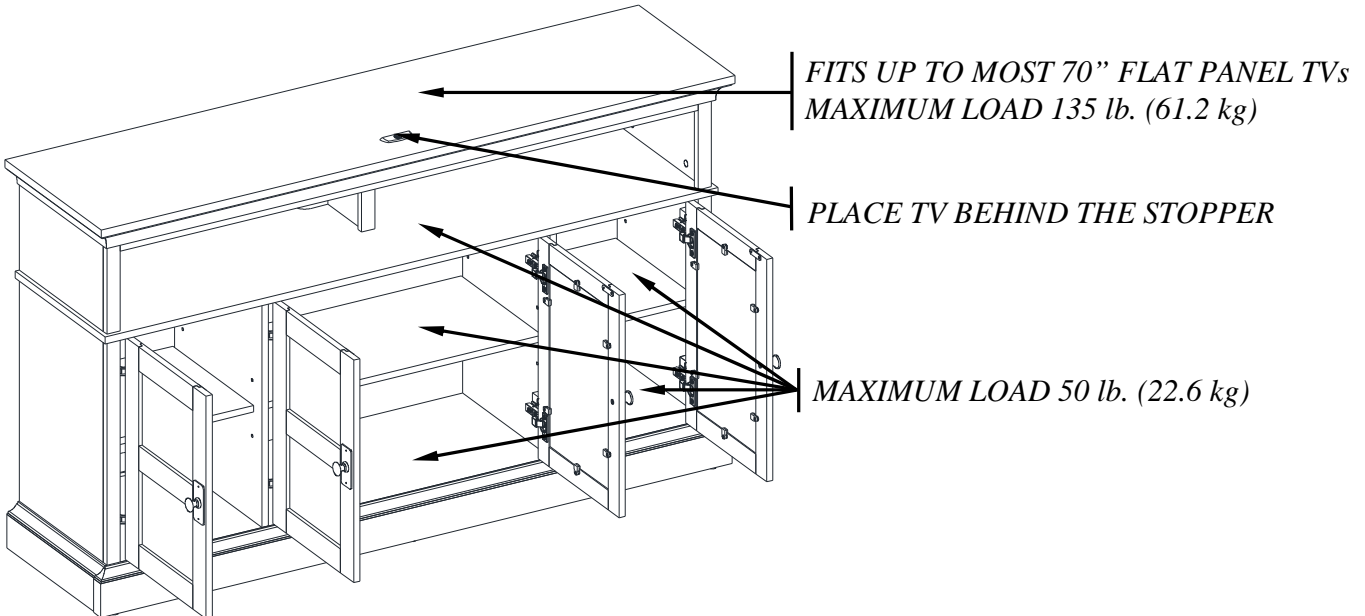
BBAVCWL60-BC

**THIS INSTRUCTION BOOKLET CONTAINS IMPORTANT SAFETY INFORMATION.
PLEASE READ AND KEEP FOR FUTURE REFERENCE.**

Date 2017-04-20 Rev. 0001-A Factory: GALFUR

MAXIMUM RECOMMENDED WEIGHT LOADS

MANUFACTURER: Whalen Furniture Manufacturing
CATALOG: 60" TV Console (BBAVCWL60-BC)
MADE IN CHINA



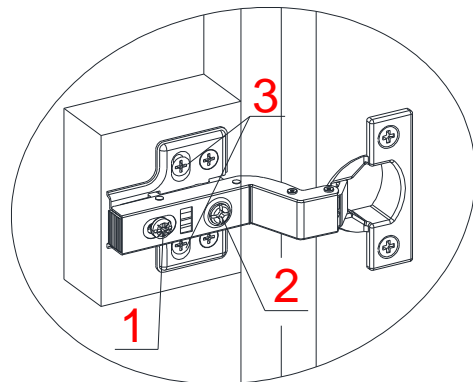
WARNING

THIS UNIT IS NOT INTENDED FOR USE WITH CRT TVS. USE ONLY WITH FLAT PANEL TVs AND AUDIO/VIDEO EQUIPMENT MEETING RECOMMENDED SIZE AND WEIGHT LIMITS. NEVER USE WITH LARGER/HEAVIER THAN RECOMMENDED FLAT PANEL TVs OR EQUIPMENT. TO AVOID INSTABILITY, PLACE FLAT PANEL TV IN THE CENTER OF THE UNIT; THE BASE OF THE TELEVISION MUST BE ABLE TO REST ON THE SUPPORTING SURFACE OF THE UNIT WITHOUT OVER-HANGING THE EDGES. IMPROPERLY POSITIONED FLAT PANEL TVs, OR FLAT PANEL TVs INCLUDING OTHER EQUIPMENT THAT EXCEED RECOMMENDED SIZE AND WEIGHT LIMITS COULD FALL OFF OR BREAK THE UNIT, CAUSING POSSIBLE SERIOUS INJURY.

How to adjust the European adjustable hinges on doors

Shipping may cause doors to go out of alignment. If you find that the doors need to be adjusted slightly, turn the appropriate screw, as illustrated.

1. TO ADJUST DOOR FORWARD OR BACKWARD.
2. TO ADJUST DOOR TO RIGHT OR TO LEFT.
3. TO ADJUST DOOR UP OR DOWN.

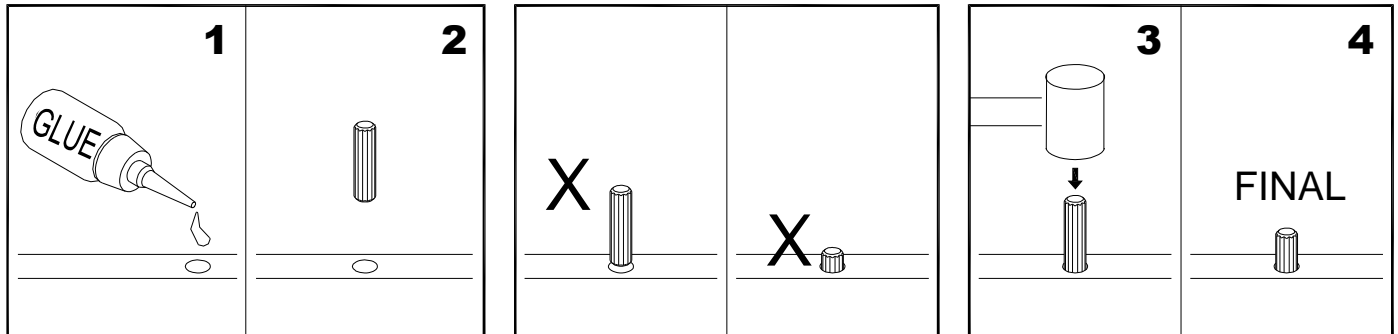


IMPORTANT

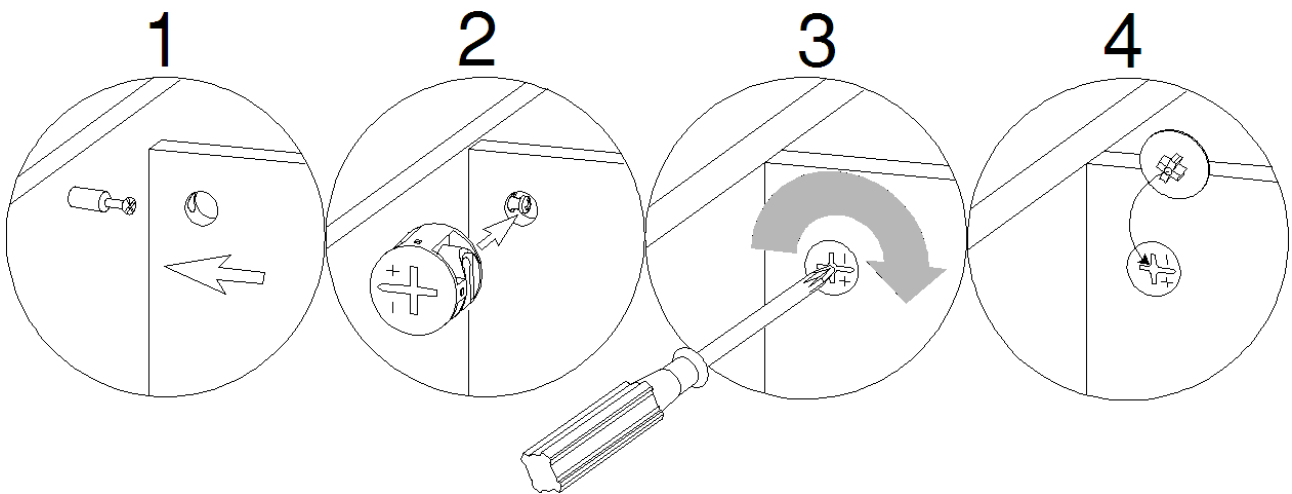
Before you begin: Open, identify and count all parts prior to assembly. Lay out parts on a flat and non-abrasive surface. You will need the parts identified on page 4 and 5 of this instruction manual.

NOTE: IT IS VERY IMPORTANT TO USE GLUE WITH THE DOWELS. EXCESS GLUE CAN BE WIPED OFF WITH A DAMP CLOTH.

Insert Dowel at least half way by tapping lightly with a rubber mallet (not included), IF NECESSARY.



CAM LOCK SYSTEM OPERATION



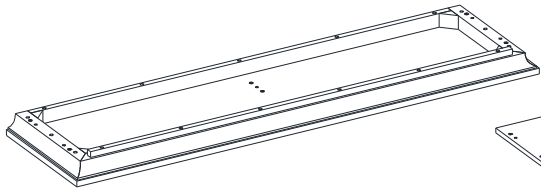
HOW THE KNOCK DOWN (KD) ASSEMBLY SYSTEM WORKS

1. Screw the Cam Bolt into the threaded inserts on the panel. Connect both panels together; making sure Cam Bolt goes into the pre-drilled hole on the end of panel for Cam Lock.
2. Insert the Cam Lock into the pre-drilled large hole on the panel. Make sure the arrow on the face of Cam Lock faces out and points towards Cam Bolt.
3. Take a Phillips screwdriver and rotate the Cam Lock clockwise to lock the Cam Bolt in place.
4. Plug the Cam Lock Cover into the cross slot of the Cam Lock to conceal the Cam.

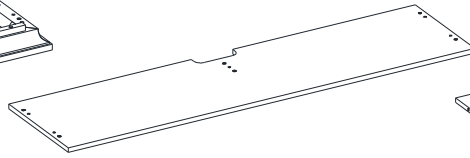
You are now ready to assemble the KD unit.

Parts and Hardware List

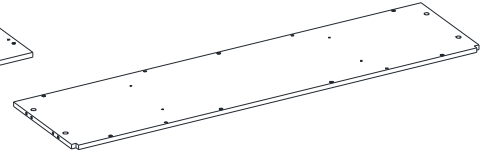
Please read completely through the instructions and verify that all listed parts and hardware are present before beginning assembly.



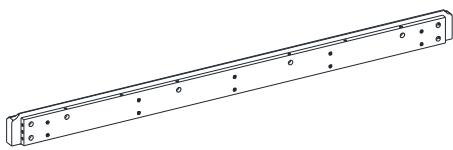
A- Top Panel (Qty. 1)



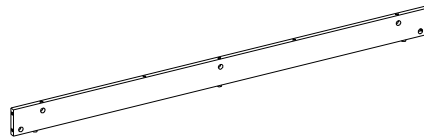
B- Center Shelf (Qty. 1)



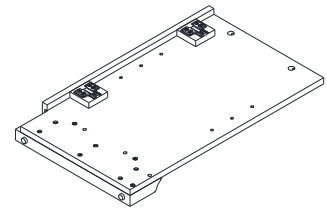
C- Bottom Panel (Qty. 1)



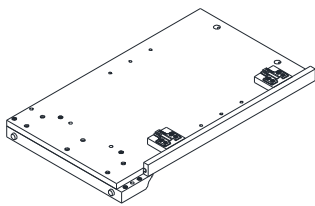
D- Bottom Front Stretcher (Qty. 1)



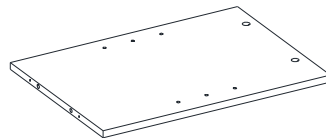
E- Bottom Back Stretcher (Qty. 1)



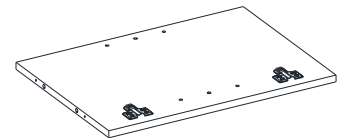
F- Left Lower Side Panel (Qty. 1)



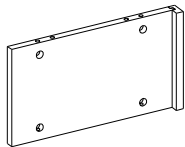
G- Right Lower Side Panel (Qty. 1)



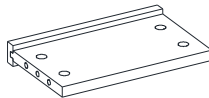
H- Left Lower Partition Panel (Qty. 1)



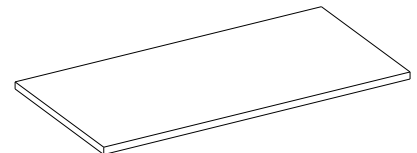
I- Right Lower Partition Panel (Qty. 1)



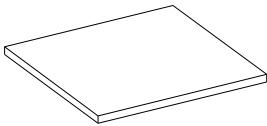
J- Upper Side Panel (Qty. 2)



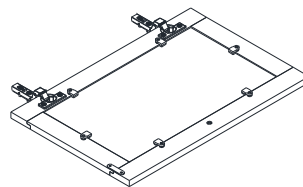
K- Upper Partition Panel (Qty. 1)



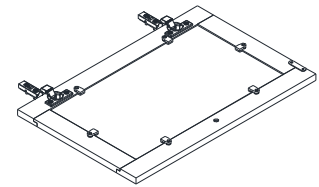
L- Large Adjustable Shelf (Qty. 1)



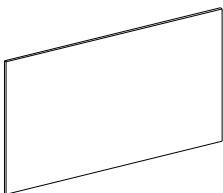
M- Small Adjustable Shelf (Qty. 2)



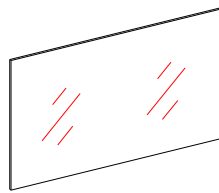
N- Left Door (Qty. 2)



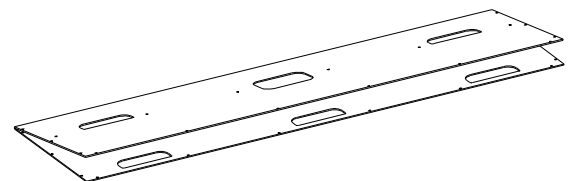
O- Right Door (Qty. 2)



P- Wood Door Panel (Qty. 4)
(Pre-attached)



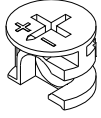
Q- Glass Door Panel (Qty. 4)



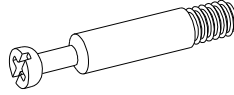
R- Back Panel (Qty. 1)

Parts and Hardware List

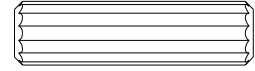
Please read completely through the instructions and verify that all listed parts and hardware are present before beginning assembly.



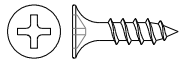
(1) Cam Lock
(Qty. 37+1 extra)



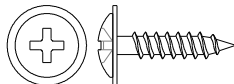
(2) Cam Bolt
(Qty. 37+1 extra)



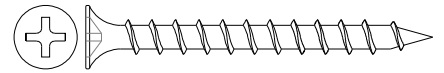
(3) M8 x 30 mm Wood Dowel
(Qty. 34+1 extra)



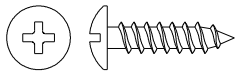
(4) M3.5 x 12 mm Screw
(Qty. 12+1 extra)



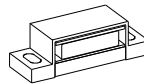
(5) M3.5 x 15 mm Washer Head Screw
(Qty. 32+1 extra)



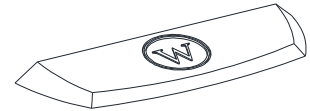
(6) M4 x 45 mm Wood Screw
(Qty. 4+1 extra)



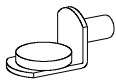
(7) M3.5 x 15 mm Pan Head Screw
(Qty. 8+1 extra)



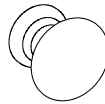
(8) Magnetic Catch
(Qty. 4)



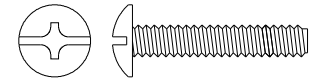
(9) Acrylic Stopper
(Qty. 1)



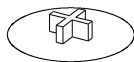
(10) Shelf Support
(Qty. 12+1 extra)



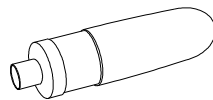
(11) Knob
(Qty. 4)



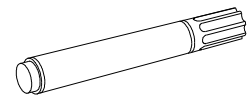
(12) Knob Bolt
(Qty. 4)



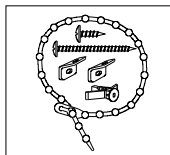
(13) Cam Lock Cover
(Qty. 20+1 extra)



Glue
(Qty. 1)



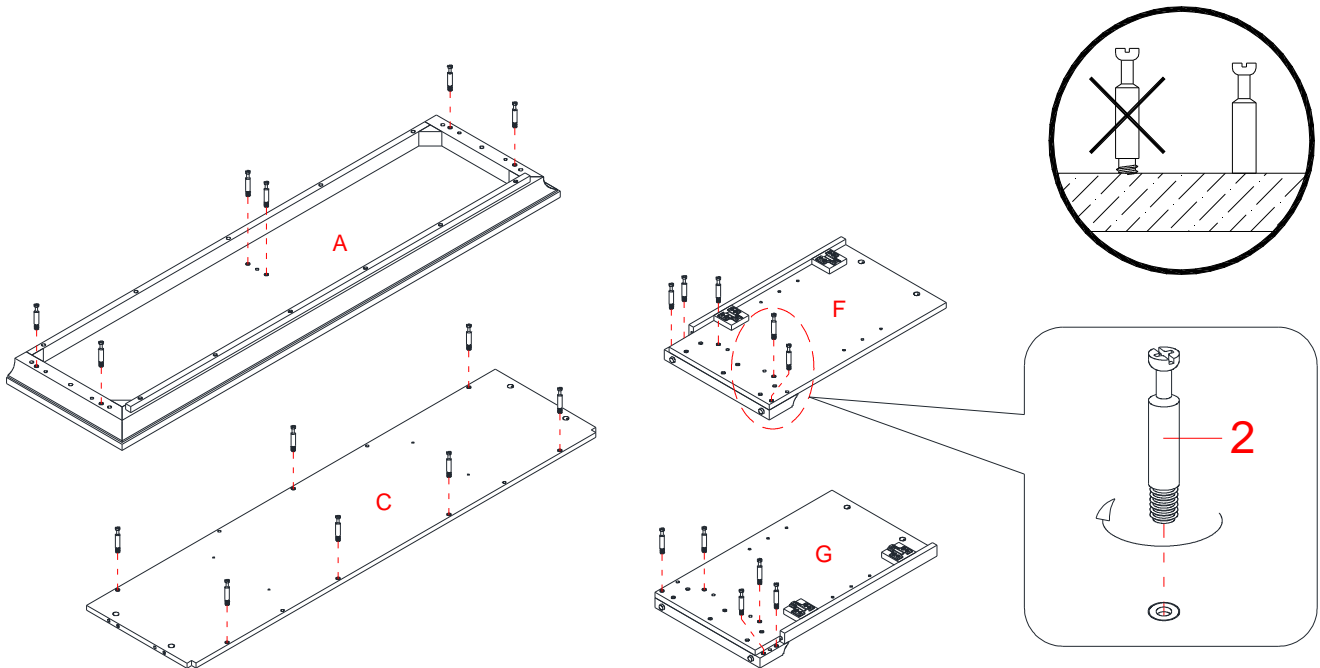
Touch-up Pen
(Qty. 1)



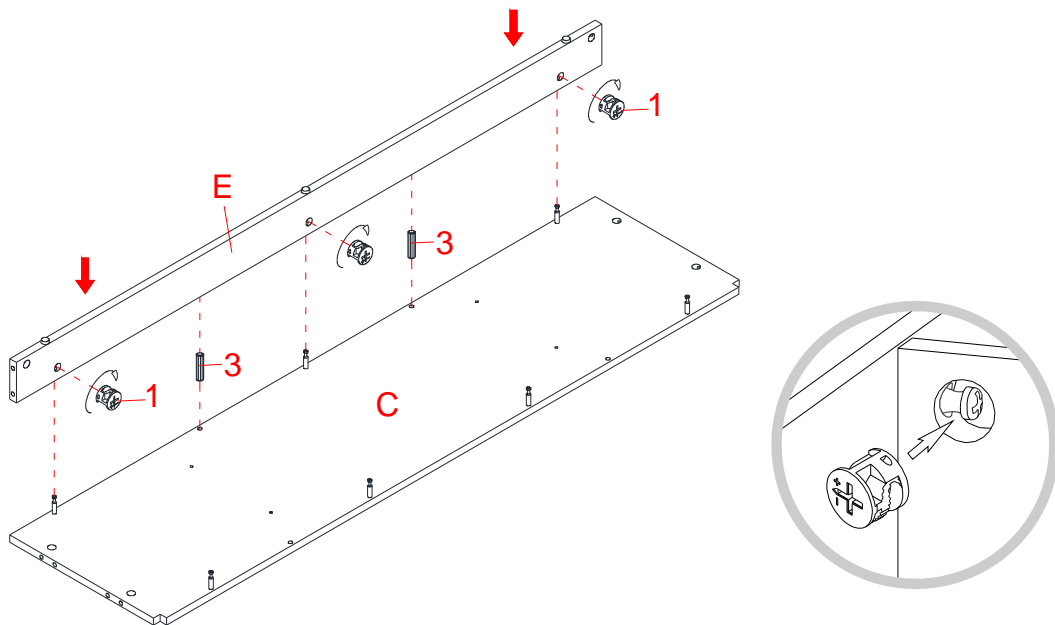
Tipping Restraint Hardware Kit (Qty. 2)
(Included in plastic bag)

Tools required: Phillips screwdriver (not provided).

Assembly Instructions

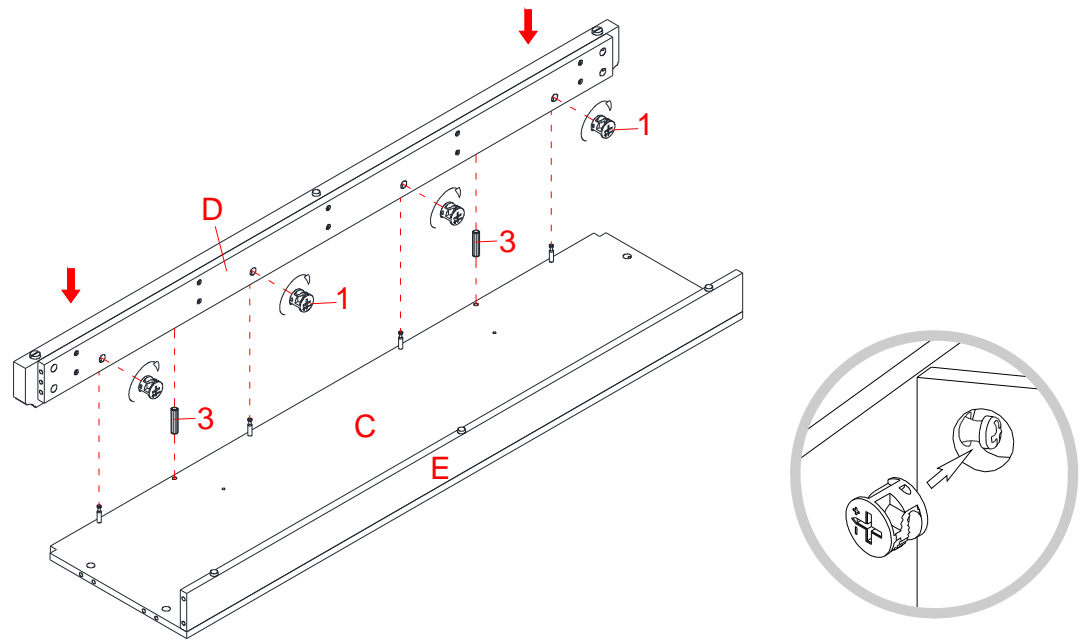


1. Unpack the unit and confirm that you have all the hardware and required parts. Assemble the unit on a carpeted floor or empty carton to avoid any scratch.
2. Lay out the Top Panel (A), Bottom Panel (C), Left and Right Side Panels (F and G) with the holes facing up. Securely screw the Cam Bolts (2) into the plastic bushings as shown in the illustration.

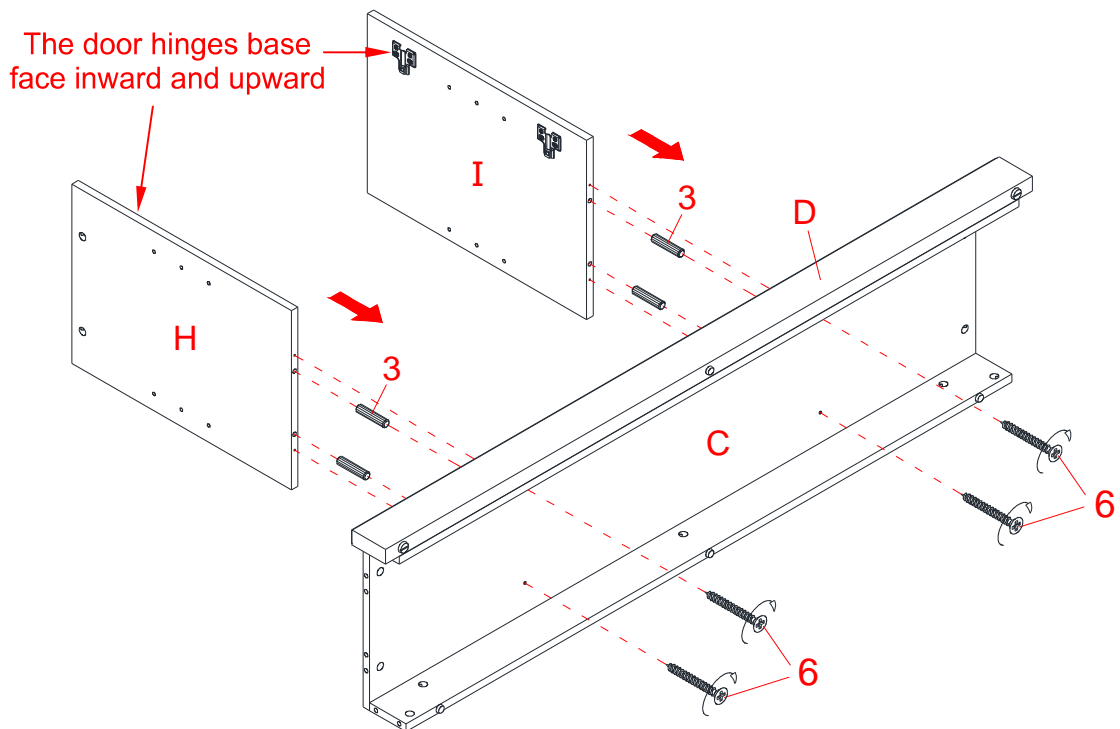


3. Insert two Wood Dowels (3) into the inner holes of the Bottom Back Stretcher (E). Tap in with a rubber mallet if necessary. Make sure that you use a small amount of glue with both ends of all dowels.
4. Align the inserted Wood Dowels (3) on the Bottom Back Stretcher (E) with the holes on the Bottom Panel (C) and press them together. Fasten the Bottom Back Stretcher (E) in place by engaging three Cam Locks (1) (Refer to page 3 on Cam Lock system operation supplement).

Assembly Instructions

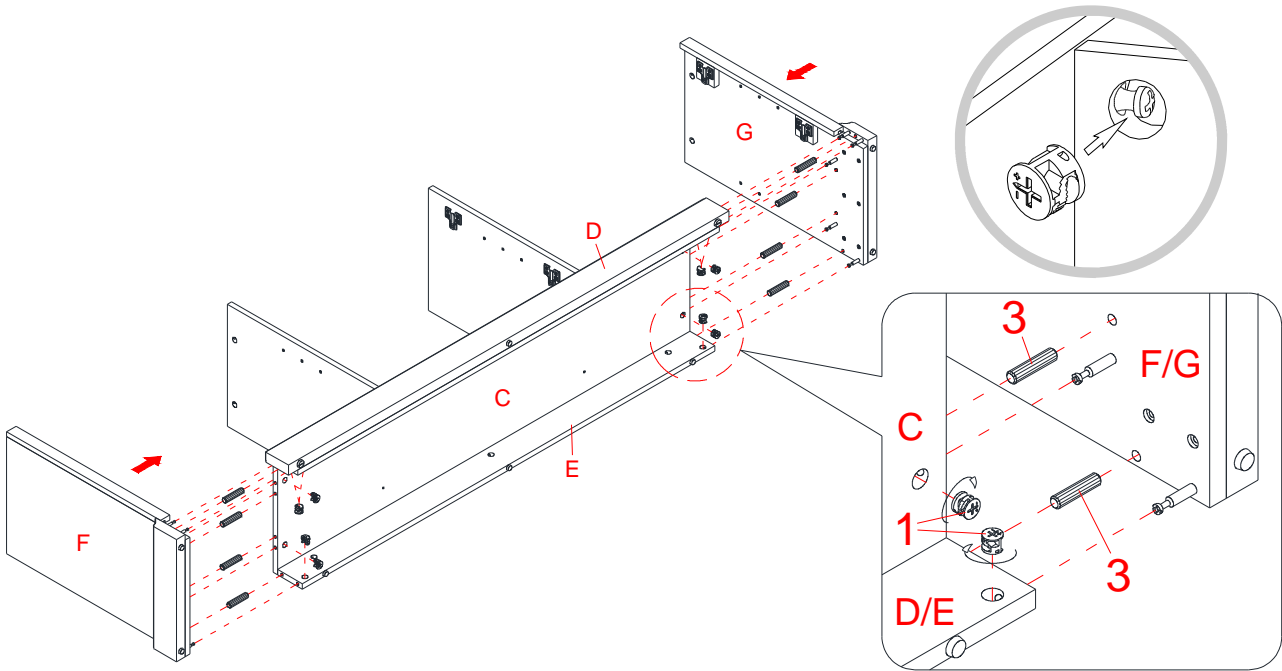


5. Glue two Wood Dowels (3) into the inner holes of the Bottom Front Stretcher (D) and attach it to the Bottom Panel (C) by engaging four Cam Locks (1).

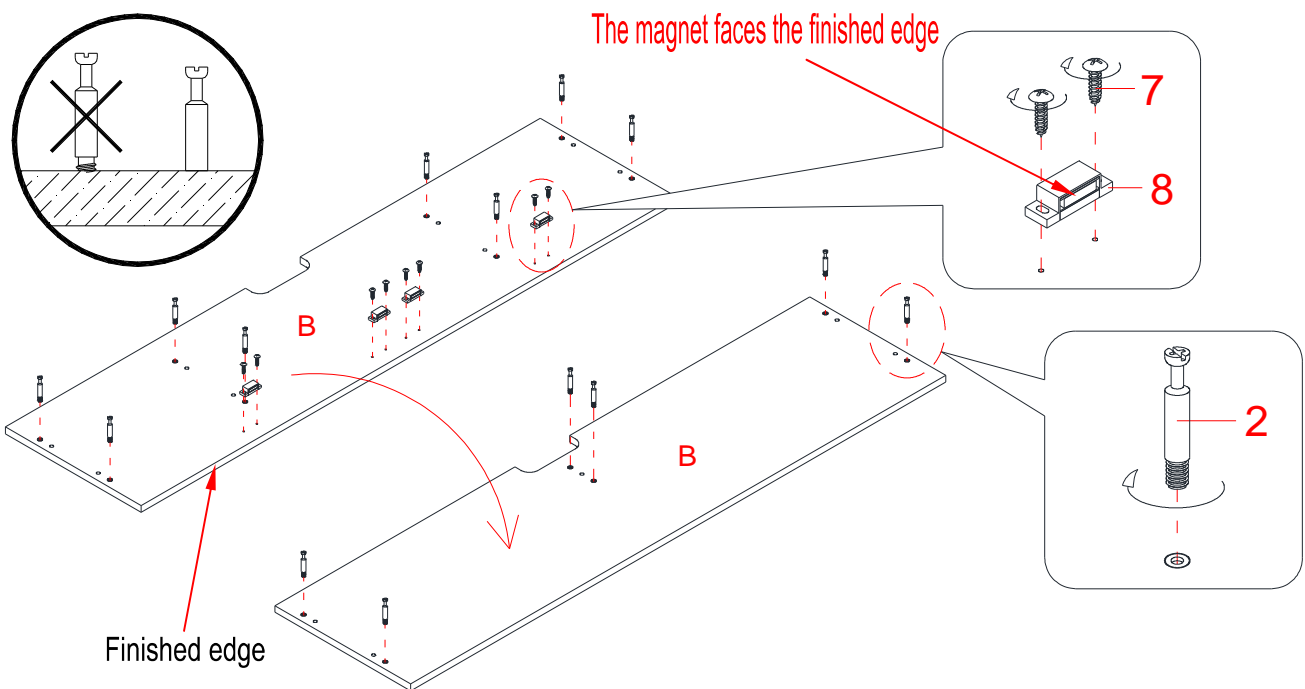


6. Glue two Wood Dowels (3) into the inner holes of the Left Lower Partition Panel (H) and attach it to the Bottom Panel (C) with two 45 mm Wood Screws (6).
7. Repeat the same procedure to attach the Right Lower Partition Panel (I) at the opposite end.

Assembly Instructions

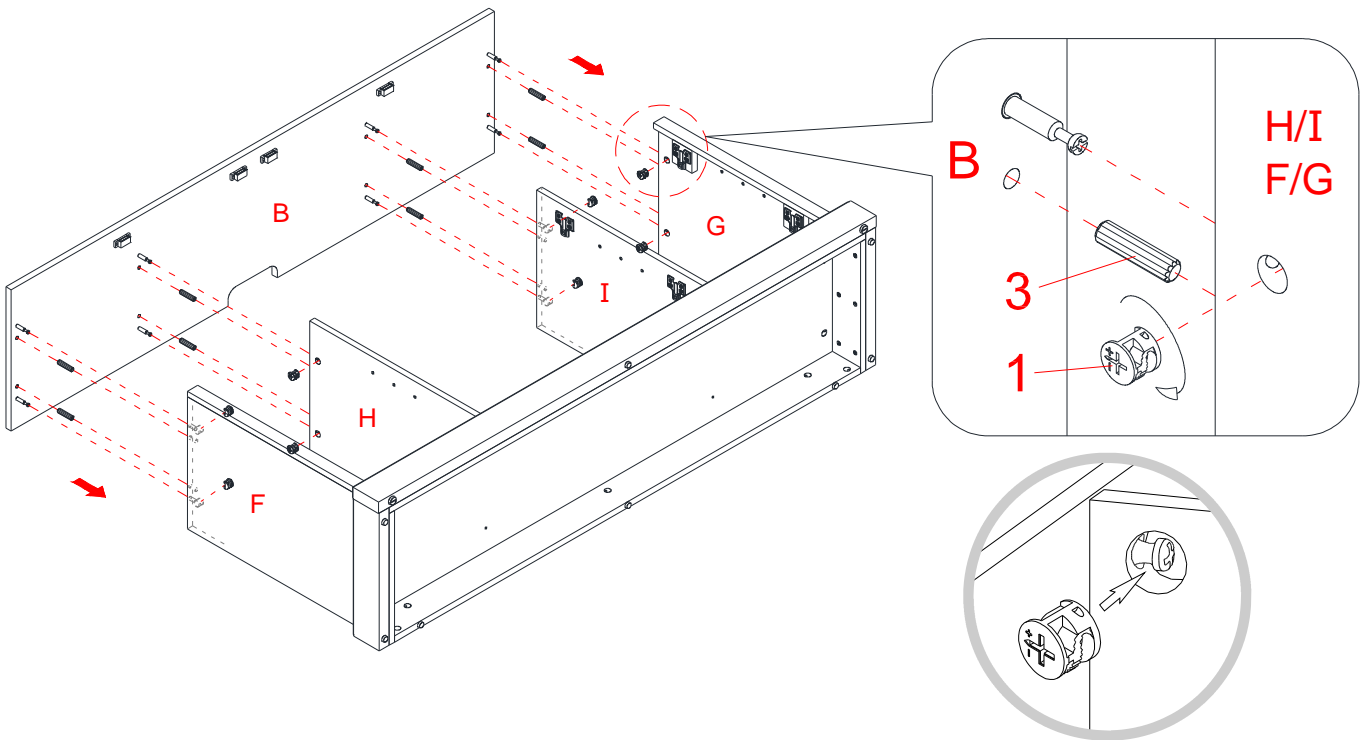


8. Glue eight Wood Dowels (3) into the inner holes of the assembled base at both ends.
9. Align the large holes on the Left Side Panel (F) with the inserted Wood Dowels (3), then firmly press them together and fasten in place by engaging four Cam Locks (1).
10. Repeat the same procedure to attach Right Side Panel (G) at the opposite end.

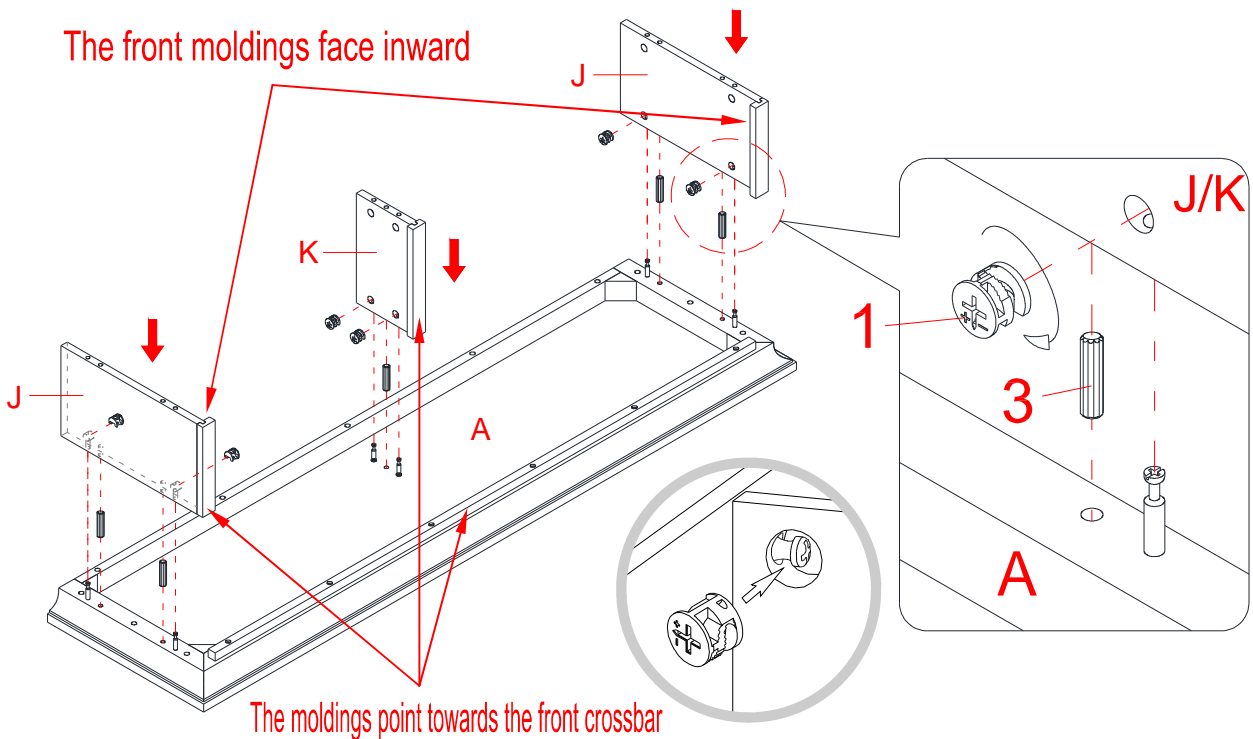


11. Securely screw the Cam Bolts (2) into the plastic bushings on the Center Shelf (B) at both sides.
12. Align four Magnetic Catches (8) to the pilot holes on the Center Shelf (B) with the magnetic plates facing the finished edge. And then attach the Magnetic Catches (8) in place using two Pan Head Screws (7) per catch.

Assembly Instructions

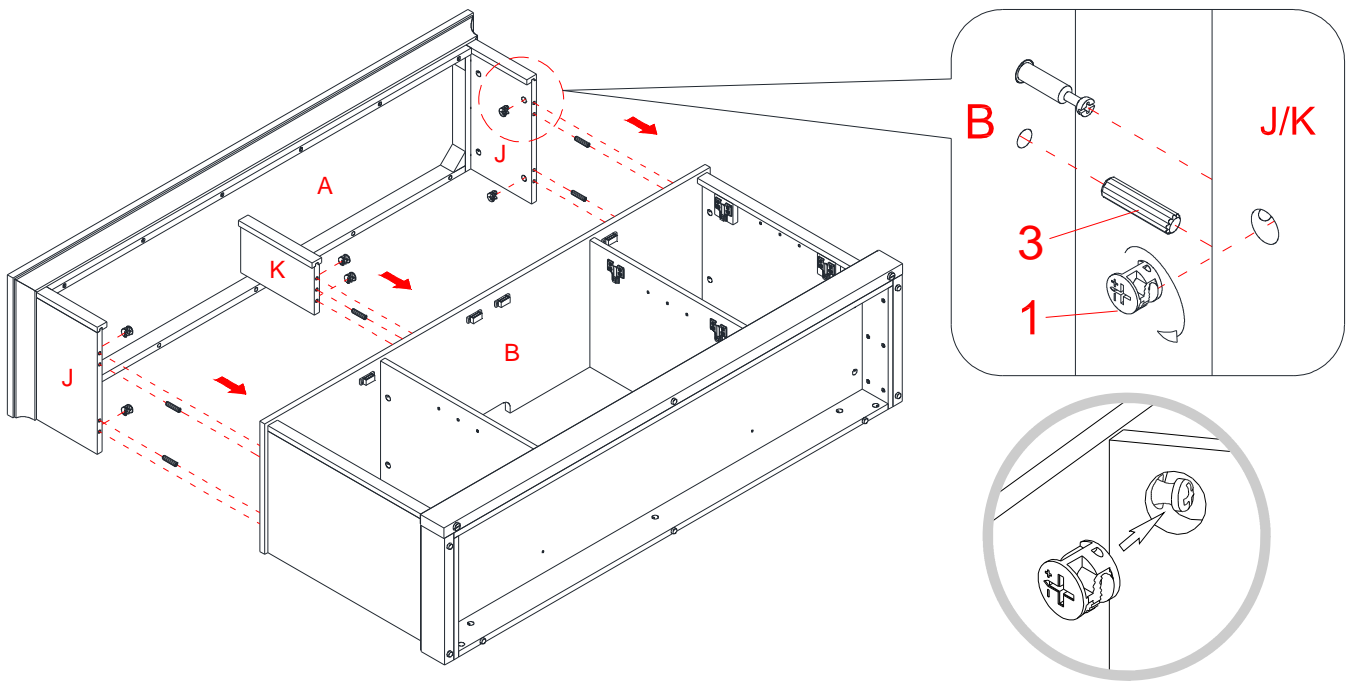


13. Glue eight Wood Dowels (3) into the top inner holes on the vertical panels (F, G, H and I).
14. Position the Center Shelf (B) onto the inserted Wood Dowels (3) and fasten it in place by engaging eight cam locks (1).

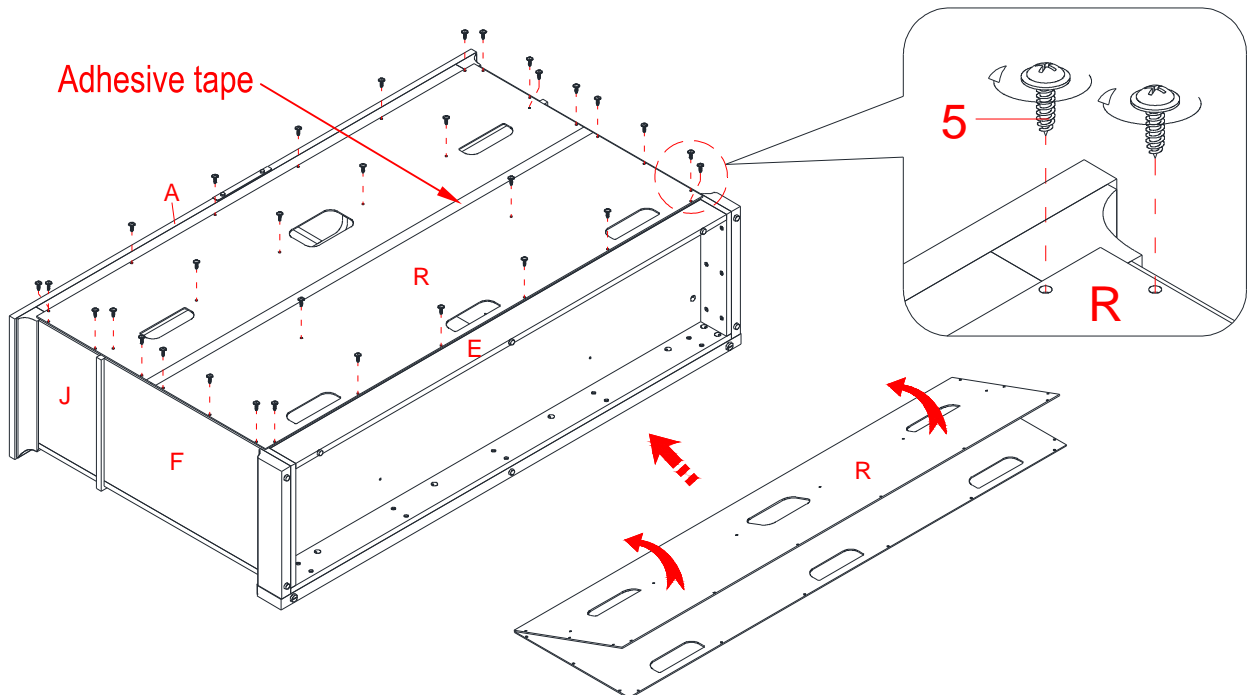


15. Glue five Wood Dowels (3) into the inner holes of the Upper Side Panels (J) and Partition Panel (K) and attach them to the Top Panel (A) by engaging six Cam Locks (1).

Assembly Instructions



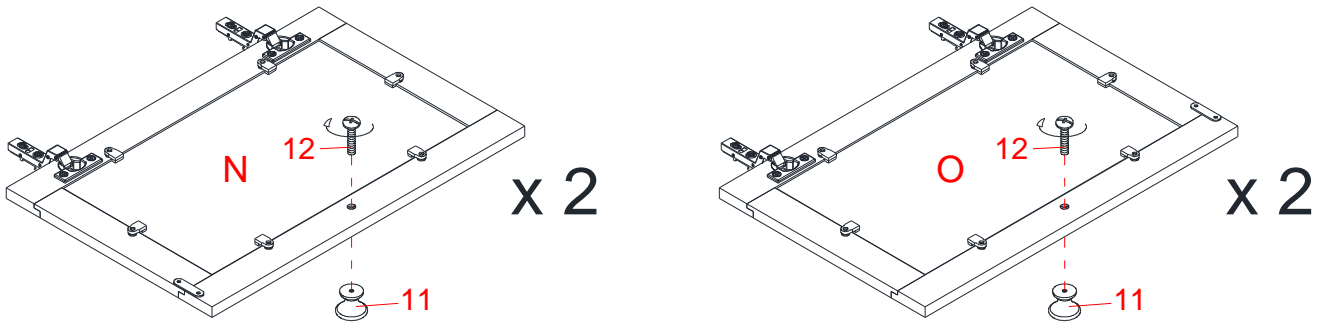
16. Glue five Wood Dowels (3) into the inner holes of the Upper Panels (J and K) and attach them to the Center Shelf (B) with six Cam Locks (1).



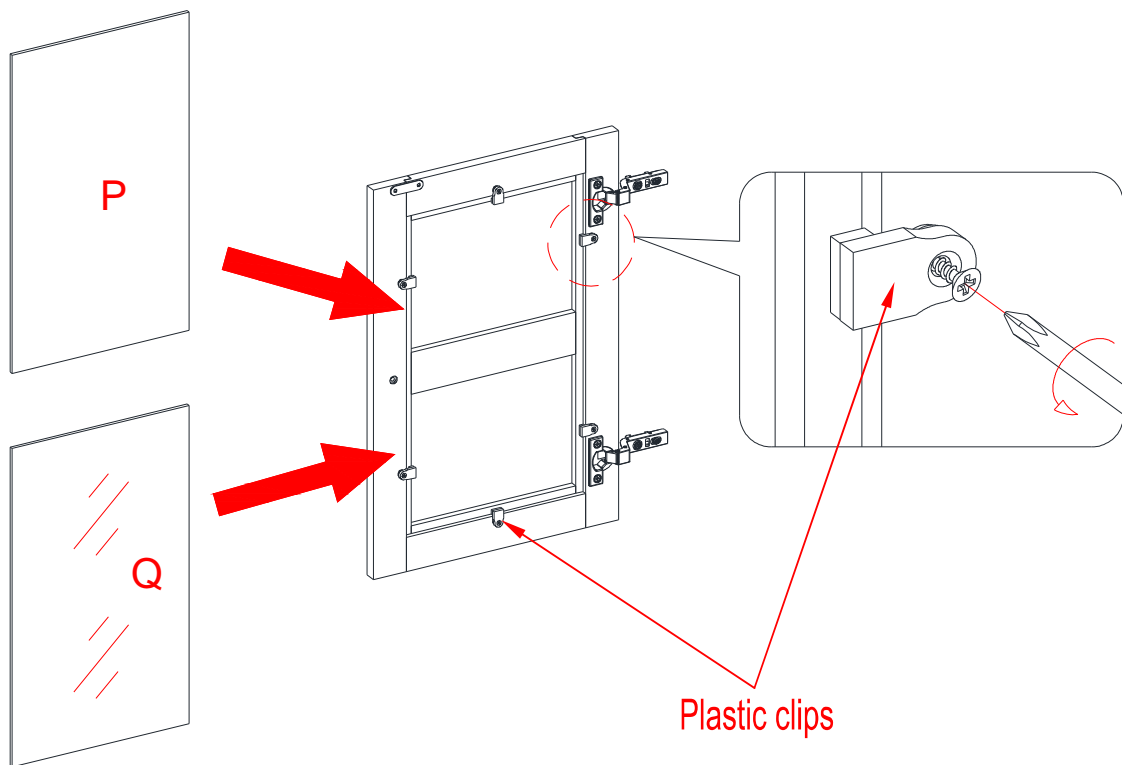
17. Now, go back and tighten all the cam locks and screws. Make sure that all the parts are tight and there are no gaps between the parts. This will help keep the unit square.
18. Flip the assembled unit around at its front edges. Unfold the Back Panel (R) and position it onto the back edges of the assembly. Make sure that the overlaps on the panels are even all the way around. Secure the Back Panel (R) in place with the 15 mm Washer Head Screws (5).

NOTE: We recommend attaching back panel with the screws at the corners first.

Assembly Instructions



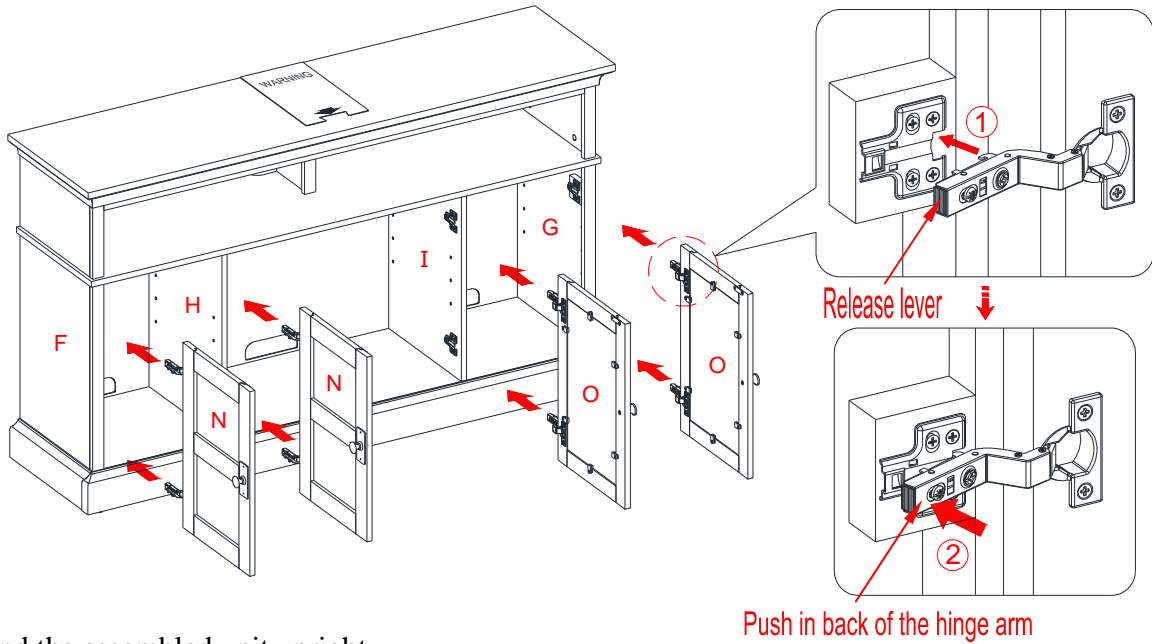
19. Attach one Knob (11) to the front side of each Door (N and O) with the provided Knob Bolt (12).



NOTE: The doors are shipped with Wood Panel Insert (P). You can keep the doors as they are or interchange with Glass Door Panel (Q) depending on your configuration.

20. To change configuration, loosen the screws on the inside of the doors and rotate the plastic clips to remove the panel. Replace with the desired panel, and then rotate the clips to secure the panel within the door frame and tighten screws.

Assembly Instructions



21. Stand the assembled unit upright.

22. Attach one Right Door (O) to the Right Lower Side Panel (G) by engaging both door hinges together as shown:

A. Extend both hinges of the Door (O) to the open position, if needed.

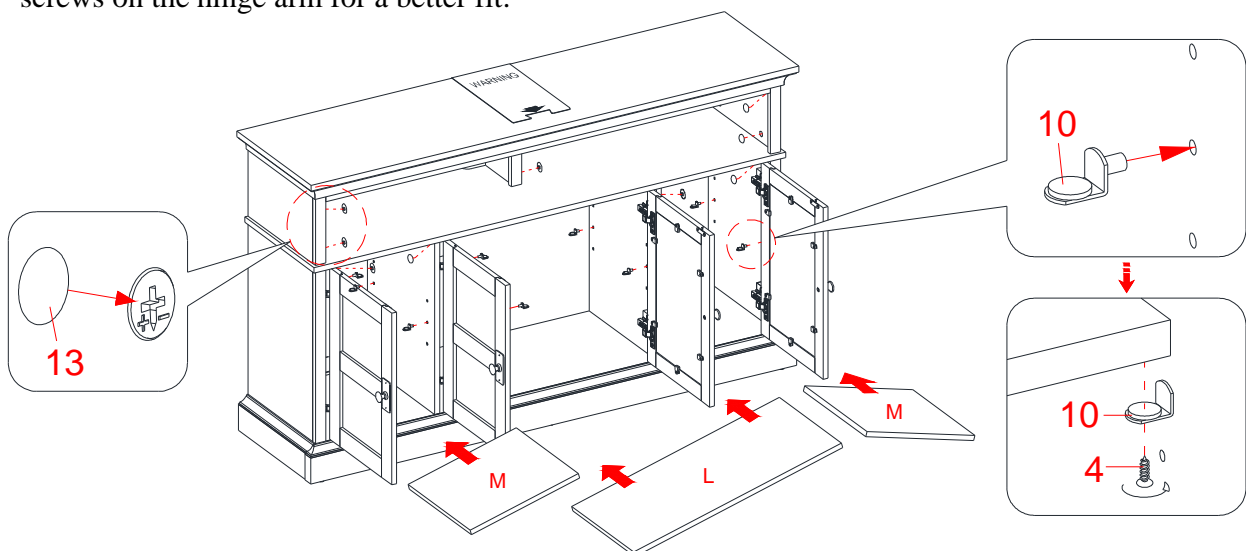
B. Slide the back hooks (on the door hinges) into the slots on the ends of the mounting bases.

C. Once the back hooks are inserted into place, push in the back of the hinge arm to secure it to the mounting base.

D. Repeat the same process to attach the other Doors (N and O) to Left Lower Side Panel (F) and Partition Panels (H and I).

Tip: If you need to remove a door, press the release levers on the end of the hinge arms.

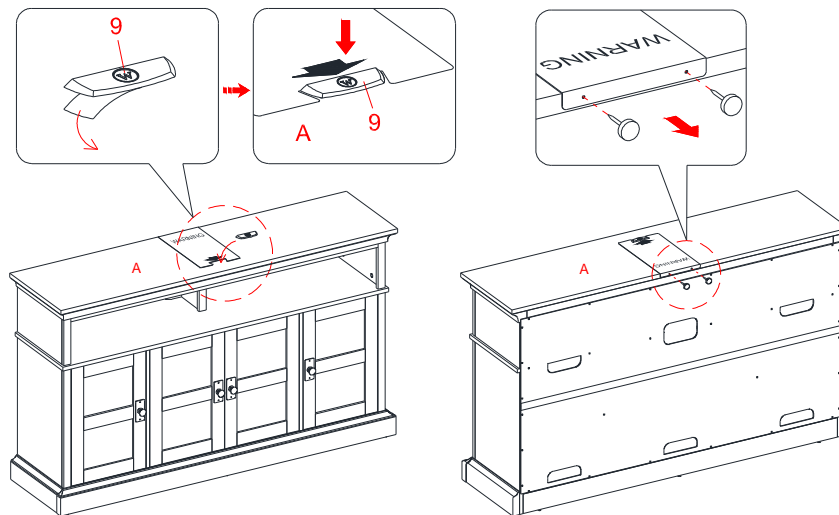
23. Open and close the doors to make sure they are aligned and shut correctly. If necessary, adjust the screws on the hinge arm for a better fit.



24. Insert four Shelf Supports (10) into the desired holes inside each compartment. Tilt and rest the Adjustable Shelves (M and L) onto the Shelf Supports (10) and secure them in place with the 12 mm Wood Screws (4).

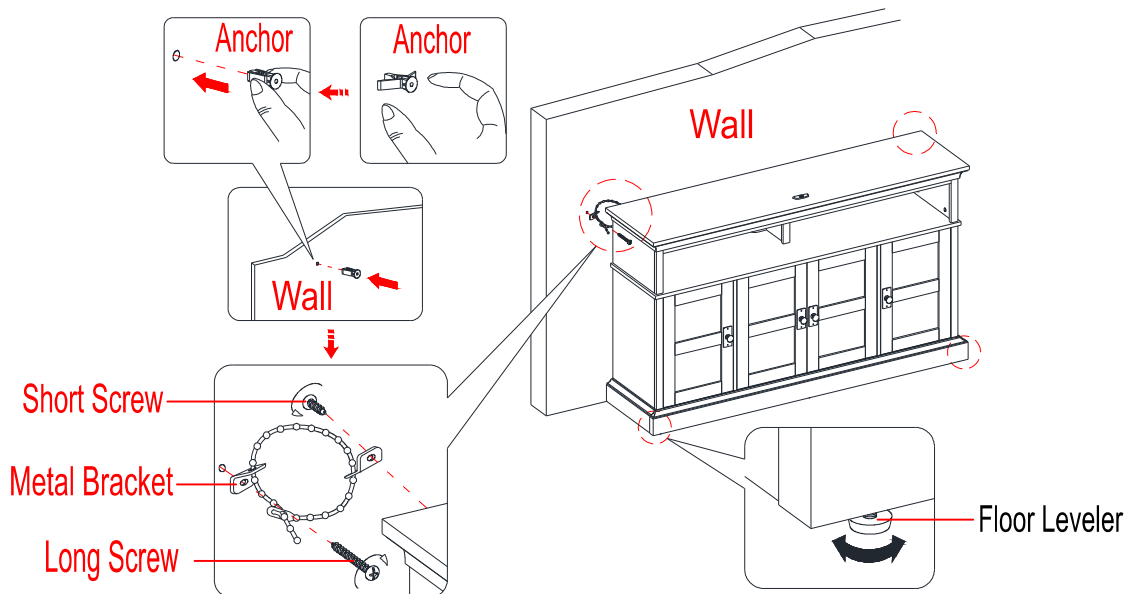
25. Plug the Cam Lock Covers (13) onto the visible cam locks to conceal the cams.

Assembly Instructions



NOTE: You must install the acrylic TV stopper to prevent TV from tipping when placing your flat panel television on the table-top.

26. Remove the paper backing from the Acrylic Stopper (9) and place it in the cut-out of the acrylic stopper template on the Top Panel (A). Press down on the Acrylic Stopper (9) to help adhesion.
27. At the back of the Top Panel (A), carefully pull out the thumb tacks to remove the acrylic stopper template.



Tools required: Phillips screwdriver, Power Drill, 3/8" Drill Bit and Rubber Mallet.

28. Ask for assistance to position the assembled console at the desired location against a wall. If necessary, adjust the pre-attached floor levelers by hand to correct tilting, until the unit is level. Now, follow the instructions printed on the plastic bag containing the Tipping Restraint Hardware to attach the tip-over restraint to the console and the wall.

NOTE: Young children can be seriously injured by tipping furniture. You must install the Tipping Restraint Hardware with the unit to prevent the unit from tipping, causing any accidents or damage. The tipping restraint is intended only as a deterrent, they are not a substitute for proper adult supervision. The tipping restraint is not an earthquake restraint. If you wish to add the extra security of earthquake restraints, they must be purchased and installed separately.

29. The console is now ready for use. Be sure to position your Flat Panel TV in the center of the console, behind the Acrylic Stopper (9).

Care and Maintenance

- Use a soft, clean cloth that will not scratch the surface when dusting.
- Use of furniture polish is not necessary. Should you choose to use polish, test first in an inconspicuous area.
- Using solvents of any kind on your furniture may damage your furniture's finish.
- Never use water to clean your furniture as it may cause damage to the finish.
- Always use coasters under beverage glasses and flowerpots.
- Liquid spills should be removed immediately. Using a soft, clean cloth, blot the spill gently. Avoid rubbing.
- Always use protective pads under hot dishes and plates. Heat can cause chemical changes that may create spotting within the furniture finish.
- In the event that your furniture is stained or otherwise damaged during use, we recommend that you call a professional to repair your furniture.
- Check bolts/screws periodically and tighten them if necessary.

Further Advice about Wood Furniture Care

It is best to keep your furniture in a climate-controlled environment. Extreme temperature and humidity changes can cause fading, warping, shrinking and splitting of wood. It is advised to keep furniture away from direct sunlight as sun may damage the finish.

Proper care and cleaning at home will extend the life of your purchase. Following these important and helpful tips will enhance your furniture as it ages.

A touch-up pen has been provided to repair any small nicks or scratches that may occur during assembly or shipping.

We hope you enjoy your purchase for many years.
Thank you for your purchase!

QUALITY GUARANTEE

We are confident that you will be delighted with your Whalen Furniture purchase.

Should this product be defective in workmanship or materials, or fail under normal use, we will repair or replace it for up to one (1) year from date of purchase. Every Whalen Furniture product is designed to meet your highest expectations. We guarantee that you will immediately see the value of our fine furniture.

This warranty gives you specific legal rights and you may also have other rights which vary from state to state or province to province.

Customer Service: 1-866-942-5362
8:30 a.m. - 4:30 p.m., PST, Monday to Friday
www.whalenfurniture.com