



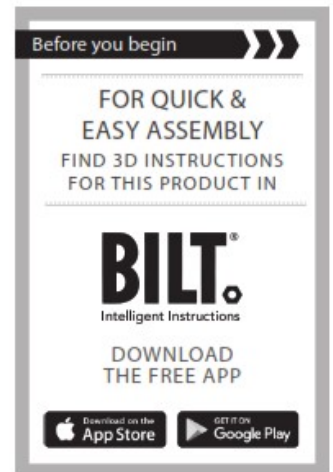
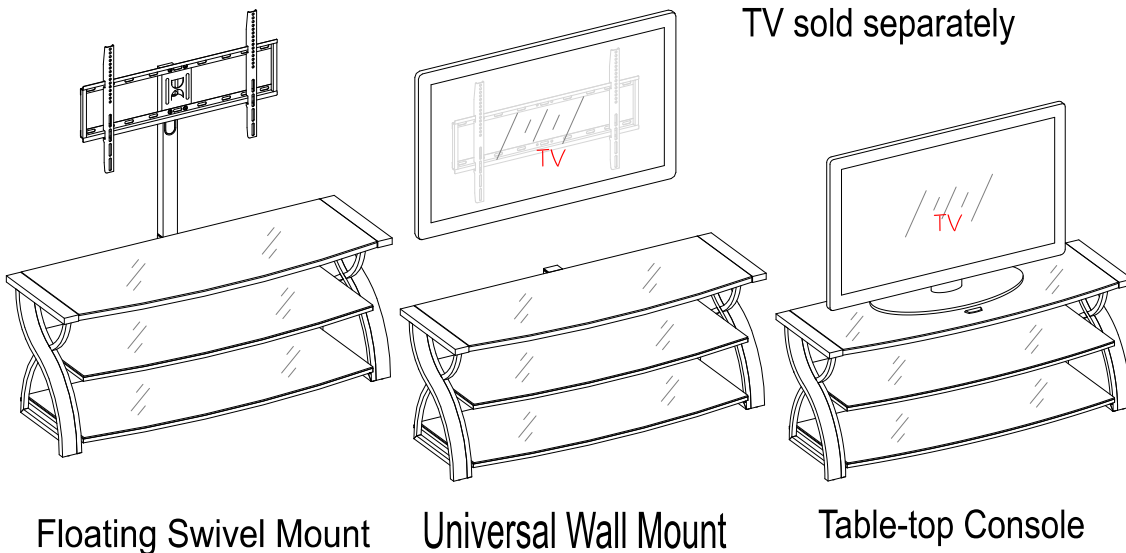
LOT NUMBER: _____
DATE PURCHASED: __/__/__

3-IN-1™ TV Console

Model # BBXL54NV

U.S. Patent 8,561,551

This item is designed to be a 3-in-1 configuration. Please choose the option that best suits your needs. DO NOT discard any of the hardware or parts that you will not use on your chosen option. This will allow you to use this TV Console in different configurations at a later date, if desired.



Floating Swivel Mount

Universal Wall Mount

Table-top Console

ADULT ASSEMBLY REQUIRED

If you have any questions regarding assembly or if parts are missing, DO NOT return this item to the store where it was purchased. Please call our toll-free customer service number and have your instructions and parts list ready to provide the model name, part name or factory number:

8:30 a.m. - 4:30 p.m., PST, Monday - Friday

ONLINE: www.whalenfurniture.com

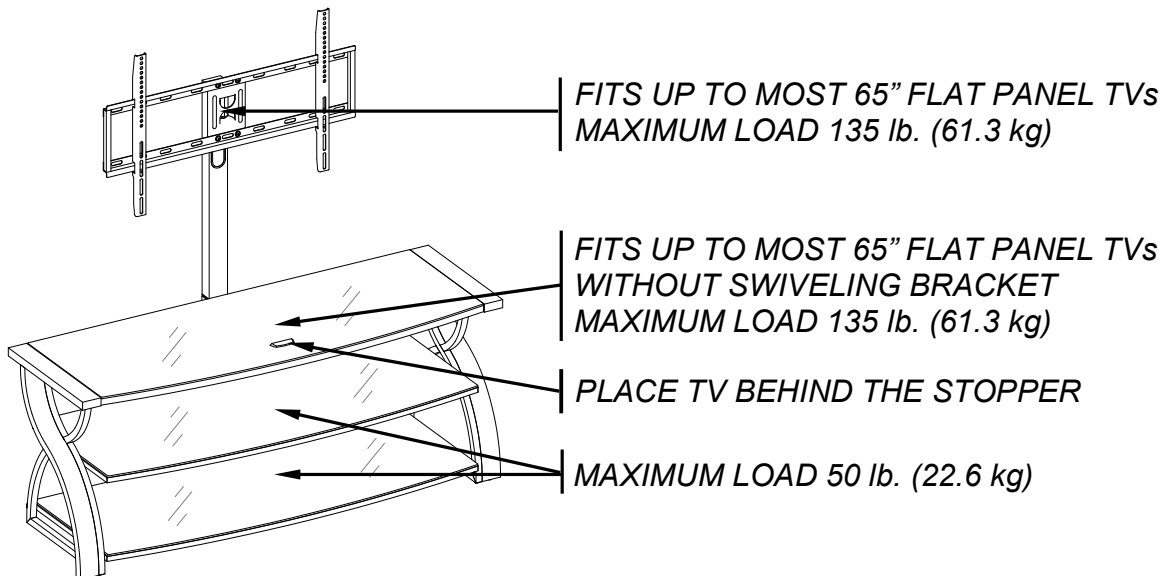
EMAIL: parts@whalenfurniture.com

**THIS INSTRUCTION BOOKLET CONTAINS IMPORTANT SAFETY INFORMATION.
PLEASE READ AND KEEP FOR FUTURE REFERENCE.**

Date 2019-06-29 Rev. 0001-D

MAXIMUM RECOMMENDED WEIGHT LOADS

MANUFACTURER: Whalen Furniture Manufacturing
CATALOG: 3-IN-1™ TV Console
MODEL # BBXL54NV
MADE IN VIETNAM



⚠ WARNING THIS UNIT IS NOT INTENDED FOR USE WITH CRT TVS. USE ONLY WITH FLAT PANEL TVS AND AUDIO/VIDEO EQUIPMENT MEETING RECOMMENDED SIZE AND WEIGHT LIMITS. NEVER USE WITH LARGER/HEAVIER THAN RECOMMENDED FLAT PANEL TVS OR EQUIPMENT. TO AVOID INSTABILITY, PLACE FLAT PANEL TV IN THE CENTRE OF THE UNIT; THE BASE OF THE TELEVISION MUST BE ABLE TO REST ON THE SUPPORTING SURFACE OF THE UNIT WITHOUT OVER-HANGING THE EDGES. IMPROPERLY POSITIONED FLAT PANEL TVS, OR FLAT PANEL TVS OR OTHER EQUIPMENT THAT EXCEED RECOMMENDED SIZE AND WEIGHT LIMITS COULD FALL OFF OR BREAK THE UNIT, CAUSING POSSIBLE SERIOUS INJURY.

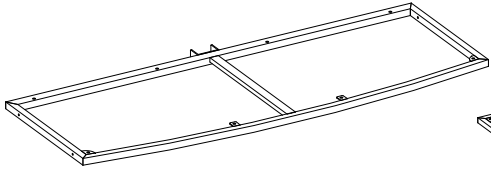
GENERAL INFORMATION, TIPS AND TRICKS

1. Please read the Assembly Instructions prior to assembling this product.
2. Remove all hardware from the box and sort by size.
3. Check to see that all hardware and parts are present BEFORE assembling.
4. Ask a friend to assist you with the assembly of this furniture.
5. To avoid damage, assemble the product on a sturdy, level and protective surface.
6. Please wait until all steps are completed before fully tightening bolts.
7. Make sure all Bolts are tightly fastened before the unit is used.

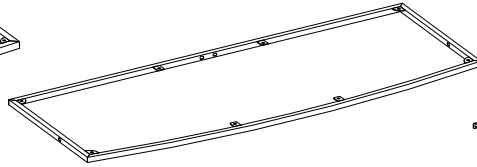
This product is sold with one set of Tipping Restraint Hardware Kit. You must install the Tipping Restraint Hardware between the wall and the TV console to prevent any accidents or damages. When properly installed, this restraint can provide protection against the unexpected tipping of the unit due to small tremors, bumps or climbing. The restraint is only a deterrent and is not a substitute for proper adult supervision. Use of tip-over restraints may only reduce, but not eliminate, the risk of tip-over.

Parts and Hardware List

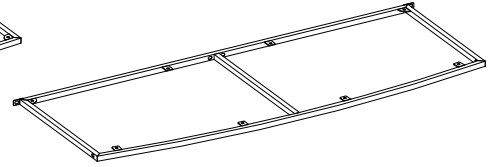
Please read completely through the instructions and verify that all listed parts and hardware are present before beginning assembly.



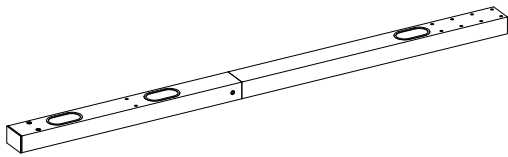
A-Top Shelf Frame (Qty. 1)



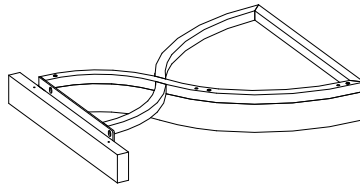
B- Middle Shelf Frame (Qty.1)



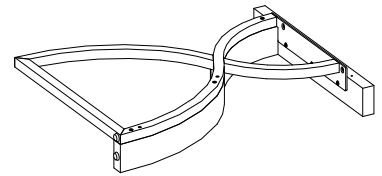
C- Bottom Shelf Frame (Qty. 1)



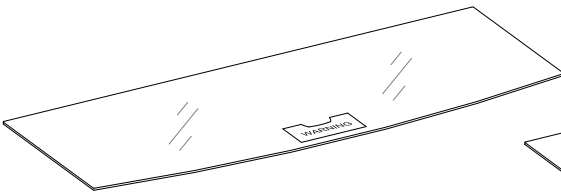
D- Spine Assembly (Qty. 1)



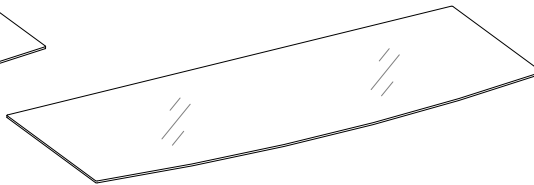
E- Left Leg (Qty.1)



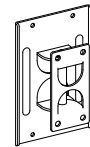
F- Right Leg (Qty. 1)



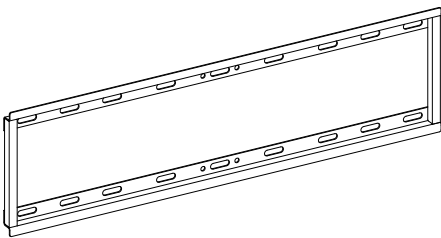
G- Top Glass (Qty. 1)



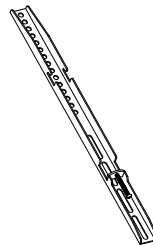
H- Glass Shelf (Qty. 2)



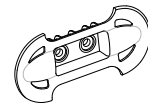
I- Swiveling Bracket (Qty.1)



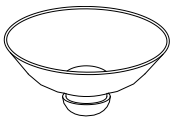
J- Mounting Frame (Qty. 1)



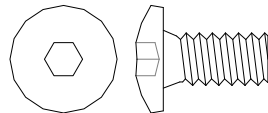
K- Monitor Bracket (Qty. 2)



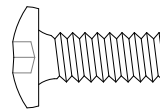
L- Cable Wheel (Qty. 2)



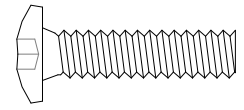
(1) Suction Cup
(QTY. 24+1 extra)



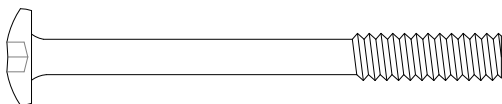
(2) 1/2" Bolt
(QTY. 4+1 extra)



(3) 5/8" Bolt
(Qty. 16+1 extra)



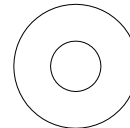
(4) 1" Bolt
(Qty. 8+1 extra)



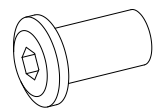
(5) 2-1/2" Bolt
(Qty. 1+1 extra)



(6) Lock Washer
(Qty. 17+1 extra)



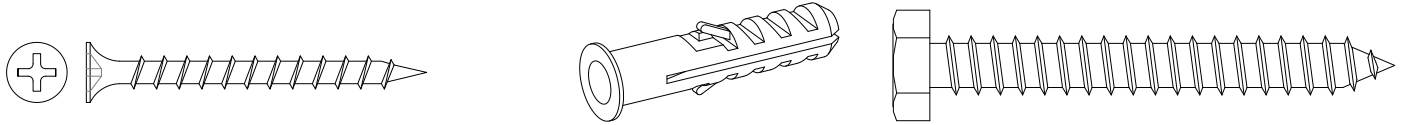
(7) Flat Washer
(Qty. 17+1 extra)



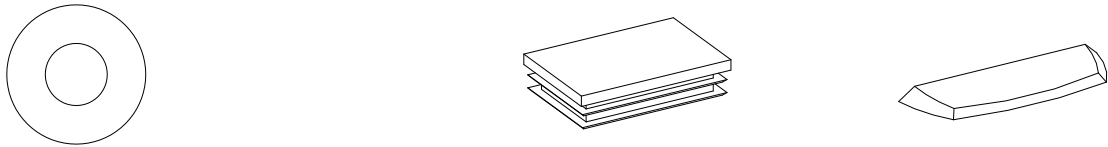
(8) Flange Nut
(Qty. 1+1 extra)

Parts and Hardware List

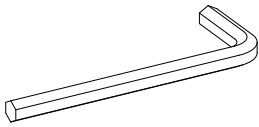
Please read completely through the instructions and verify that all listed parts and hardware are present before beginning assembly.



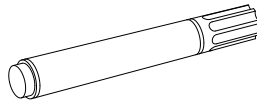
(9) 1-3/4" Wood Screw (Qty. 4+1 extra) (10) Concrete Anchor (Qty. 4) (11) 2-1/2" Lag Bolt (Qty. 4)



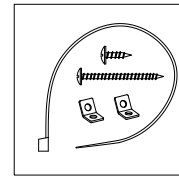
(12) Large Flat Washer (Qty. 4+1 extra) (13) Spine End Cap (Qty. 1) (14) Acrylic Stopper (Qty. 1)



M4 Hex Wrench (Qty. 2)

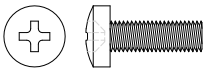


Touch-up Pen (Qty. 1)



Tipping Restraint Hardware Kit (1)
(Inside Plastic Bag)

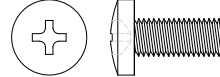
TV Mounting Kit



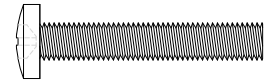
AAA- M4 x 12 Bolt
(Qty. 4)



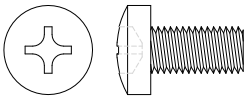
BBB- M4 x 30 Bolt
(Qty. 4)



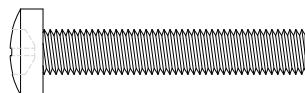
CCC- M5 x 12 Bolt
(Qty. 4)



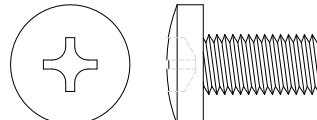
DDD- M5 x 30 Bolt
(Qty. 4)



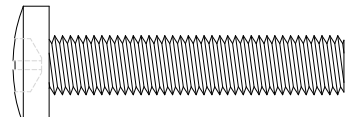
EEE- M6 x 12 Bolt
(Qty. 4)



FFF- M6 x 35 Bolt
(Qty. 4)



GGG- M8 x 16 Bolt
(Qty. 4)



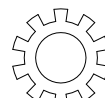
HHH- M8 x 40 Bolt
(Qty. 4)



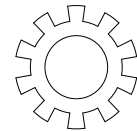
III- M4 Lock Washer
(Qty. 4)



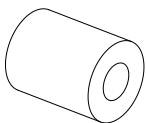
JJJ- M5 Lock Washer
(Qty. 4)



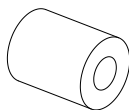
KKK- M6 Lock Washer
(Qty. 4)



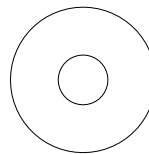
LLL- M8 Lock Washer
(Qty. 4)



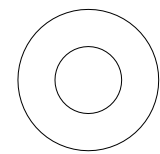
MMM- Large Spacer
(Qty. 4)



NNN- Small Spacer
(Qty. 4)



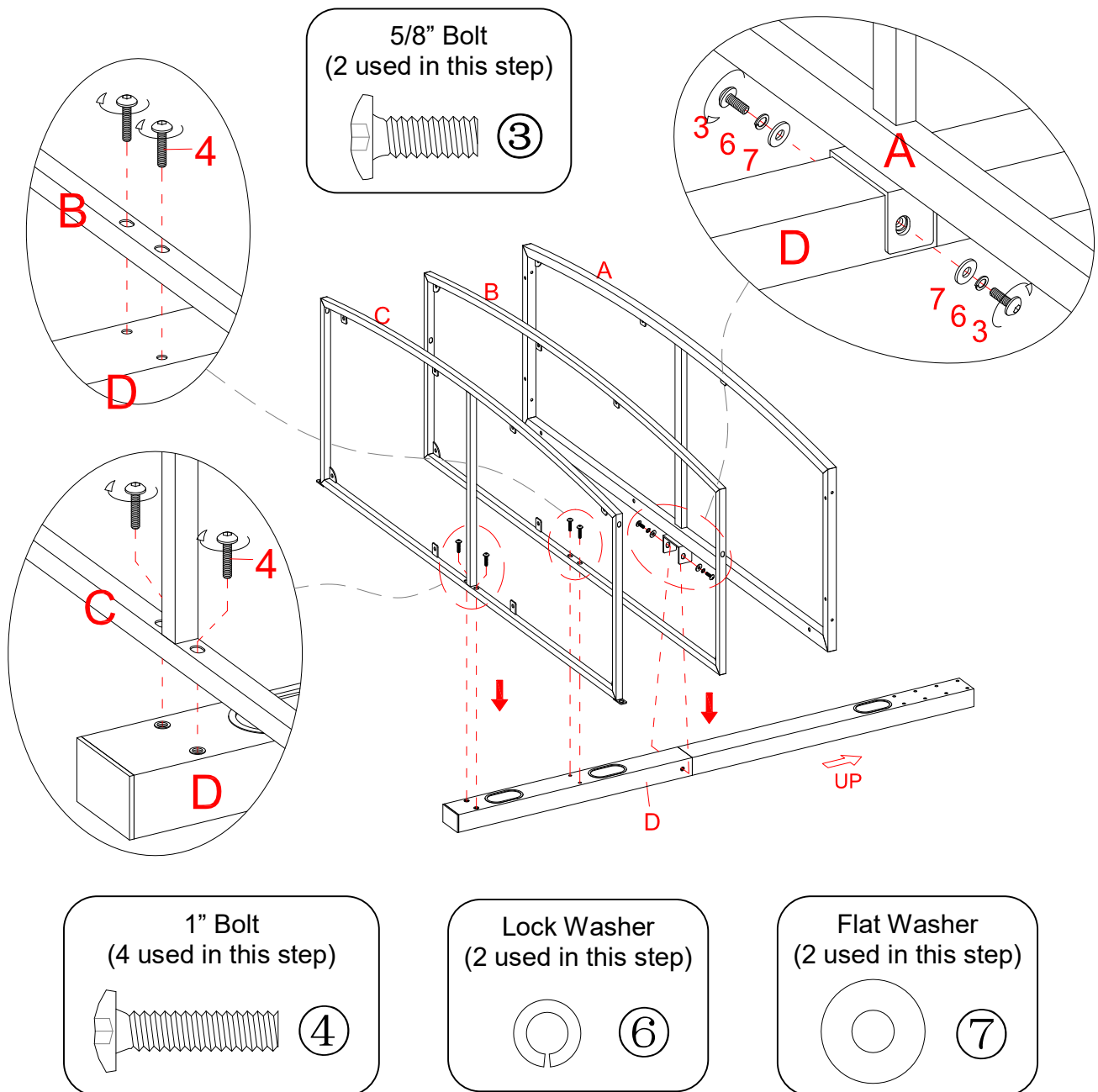
OOO- M4/M5 Flat Washer
(Qty. 8)



PPP- M6/M8 Flat Washer
(Qty. 4)

Tools required: Hex wrench (provided) and Phillips screwdriver (not provided).

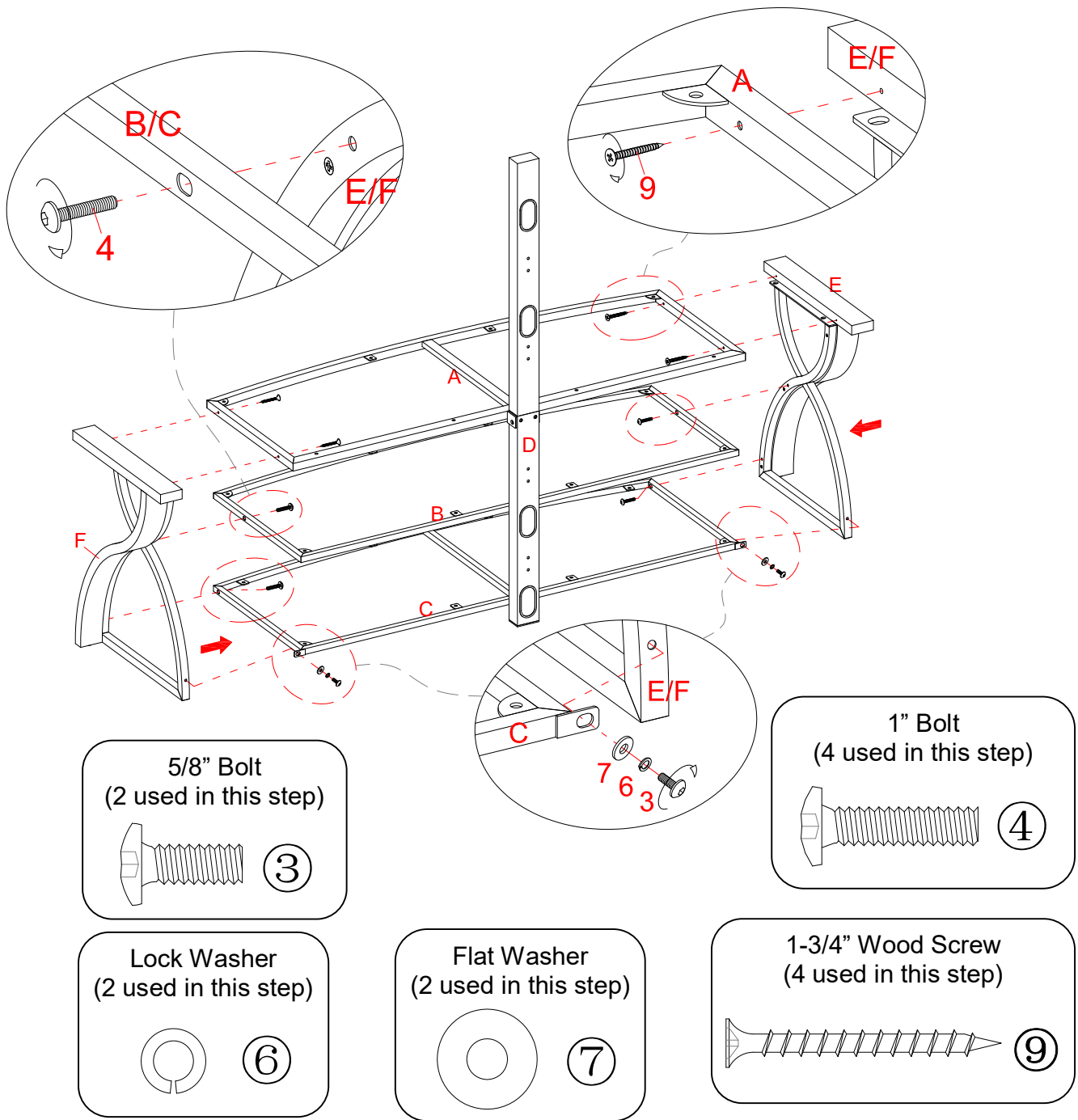
Assembly Instructions



NOTE: Please do not fully tighten all bolts until you finish assembling all parts. Once assembled, go back and fully tighten all bolts. This will make the assembly easier.

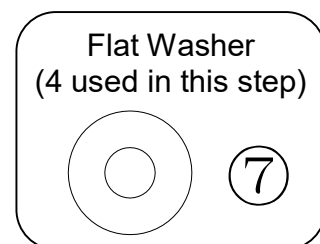
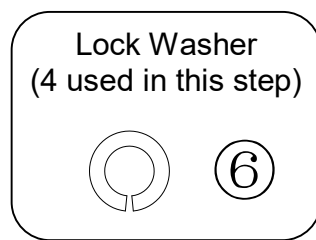
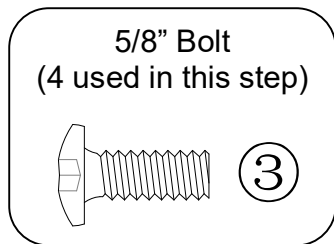
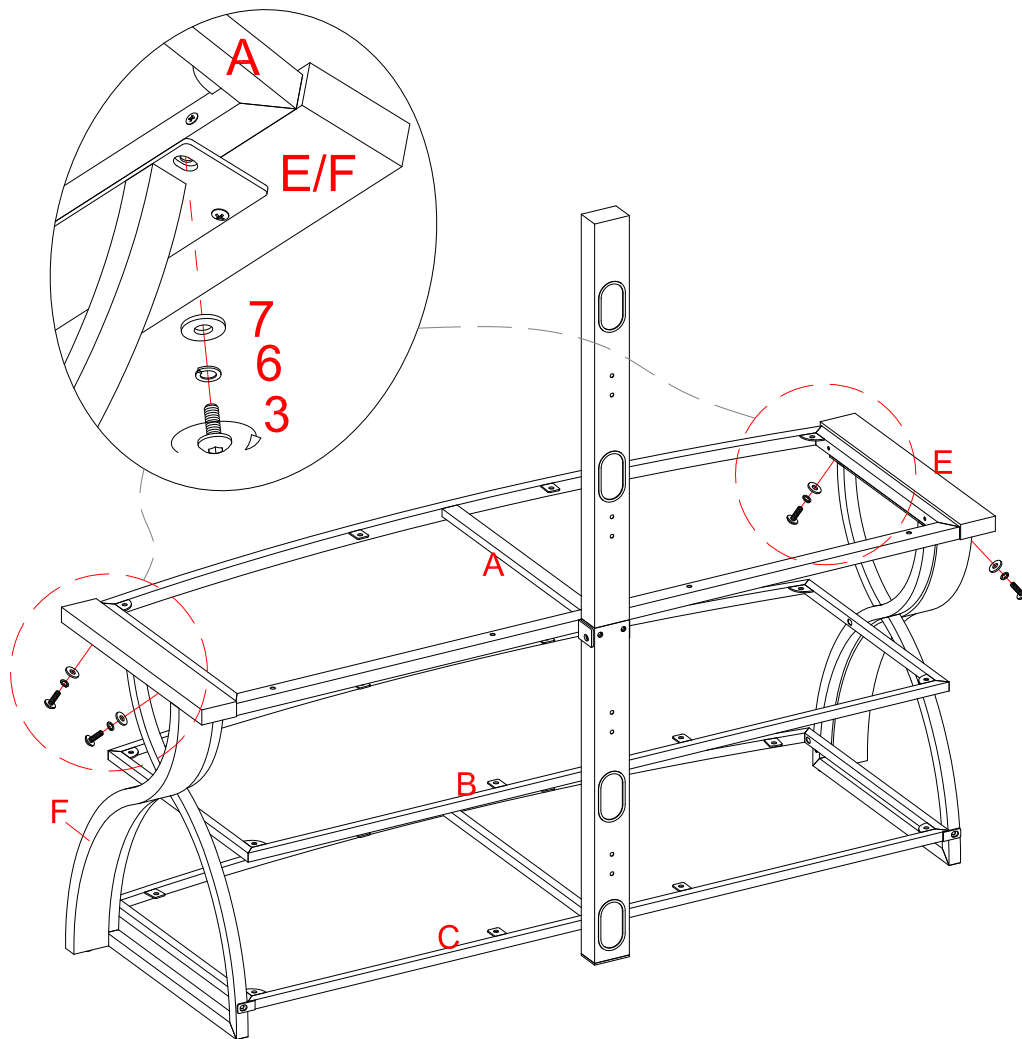
1. Unpack the unit and confirm that you have all the hardware and required parts.
2. Locate the Spine Assembly (D) and set the back face down on a scratch-free surface.
3. Align and attach the Shelf Frames (A, B and C) to the Spine Assembly (D) respectively as shown above. Make sure the inside corner plates and the metal tabs on the shelf frames (A, B and C) will face up when the unit is turned upright.

Assembly Instructions



4. Stand the previous assembly upright.
5. Align and attach the Left Leg (E) to the Lower Shelf Frames (B and C) by inserting two 1" Bolts (4) from inside of the shelf frames. Secure the Left Leg (E) to the Bottom Shelf Frame (C) by using one 5/8" Bolt (3) with the Washers (6 and 7) through the metal bracket and screw into place. **DO NOT** tighten the bolts in this step.
6. Securely fasten the Top Shelf Frame (A) to the Left Leg (E) with two 1-3/4" Wood Screws (9).
7. Repeat the same procedure to attach the Right Leg (F) at the opposite end.

Assembly Instructions

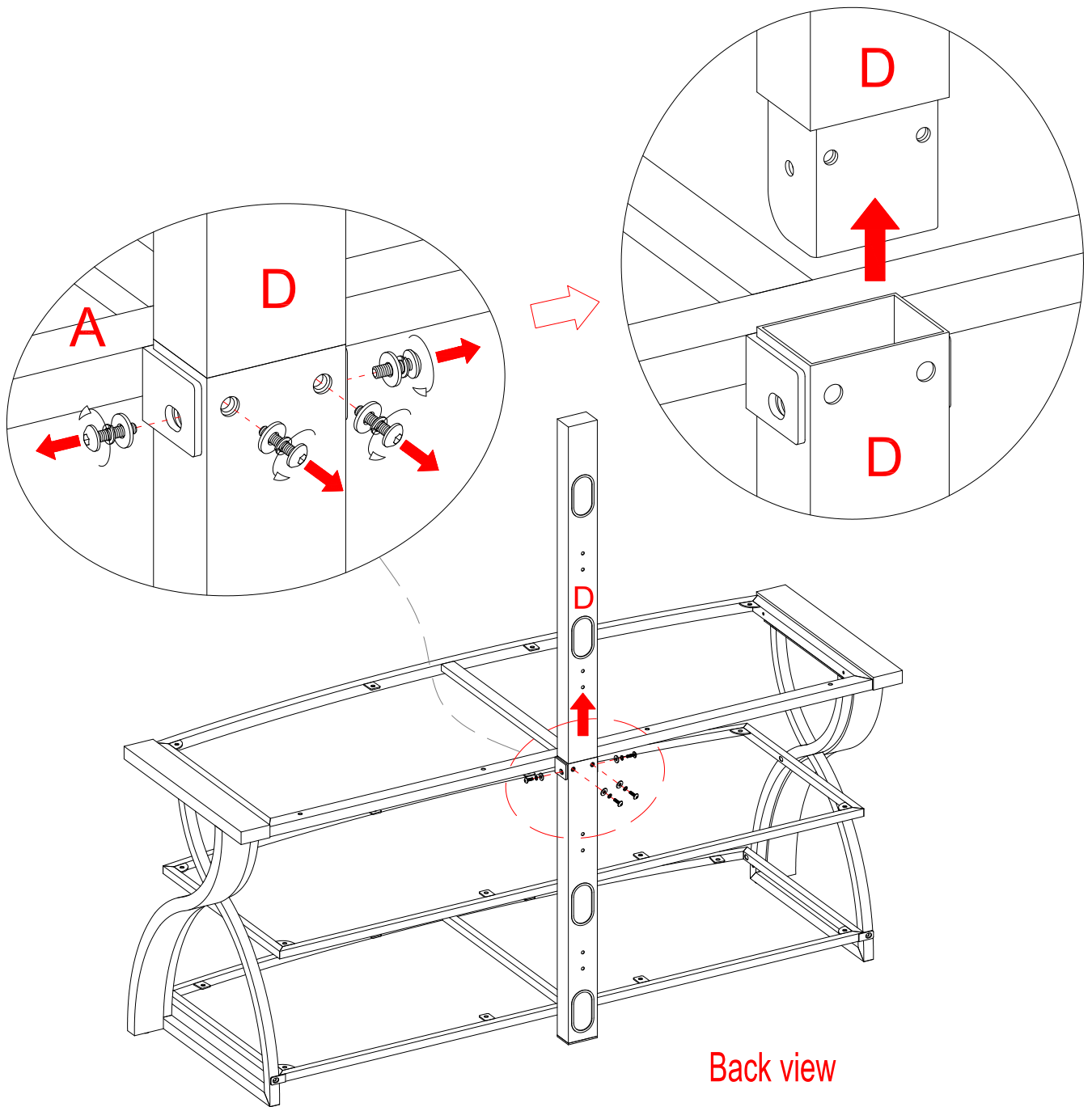


- Secure the Top Shelf Frame (A) to the inner metal legs (E and F), using two 5/8" Bolts (3) with the Washers (6 and 7) through the top metal plate of each leg and securely screw into the Top Shelf Frame (A).
- Go back and tighten all bolts with the enclosed hex wrench.



**If you choose the Table-top configuration,
continue to the next step.
If mounting the TV to the Floating Swivel
Mount, skip ahead to PAGE 14.**

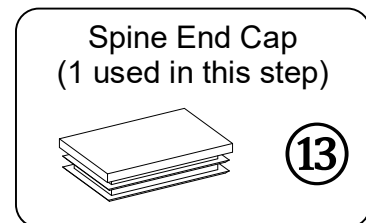
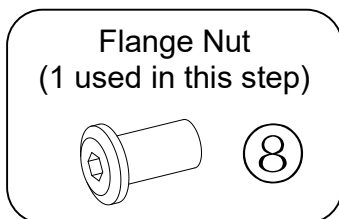
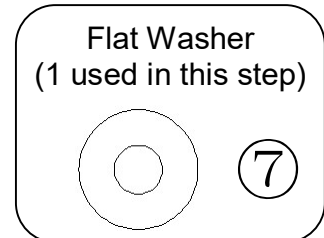
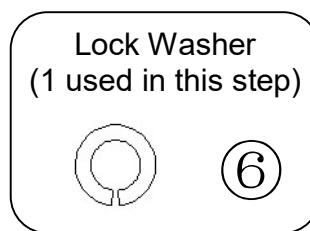
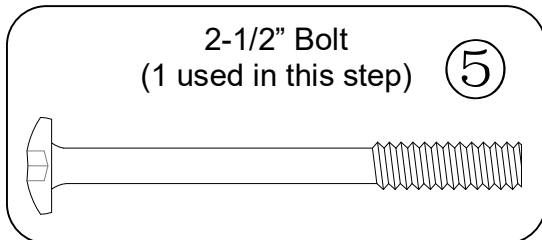
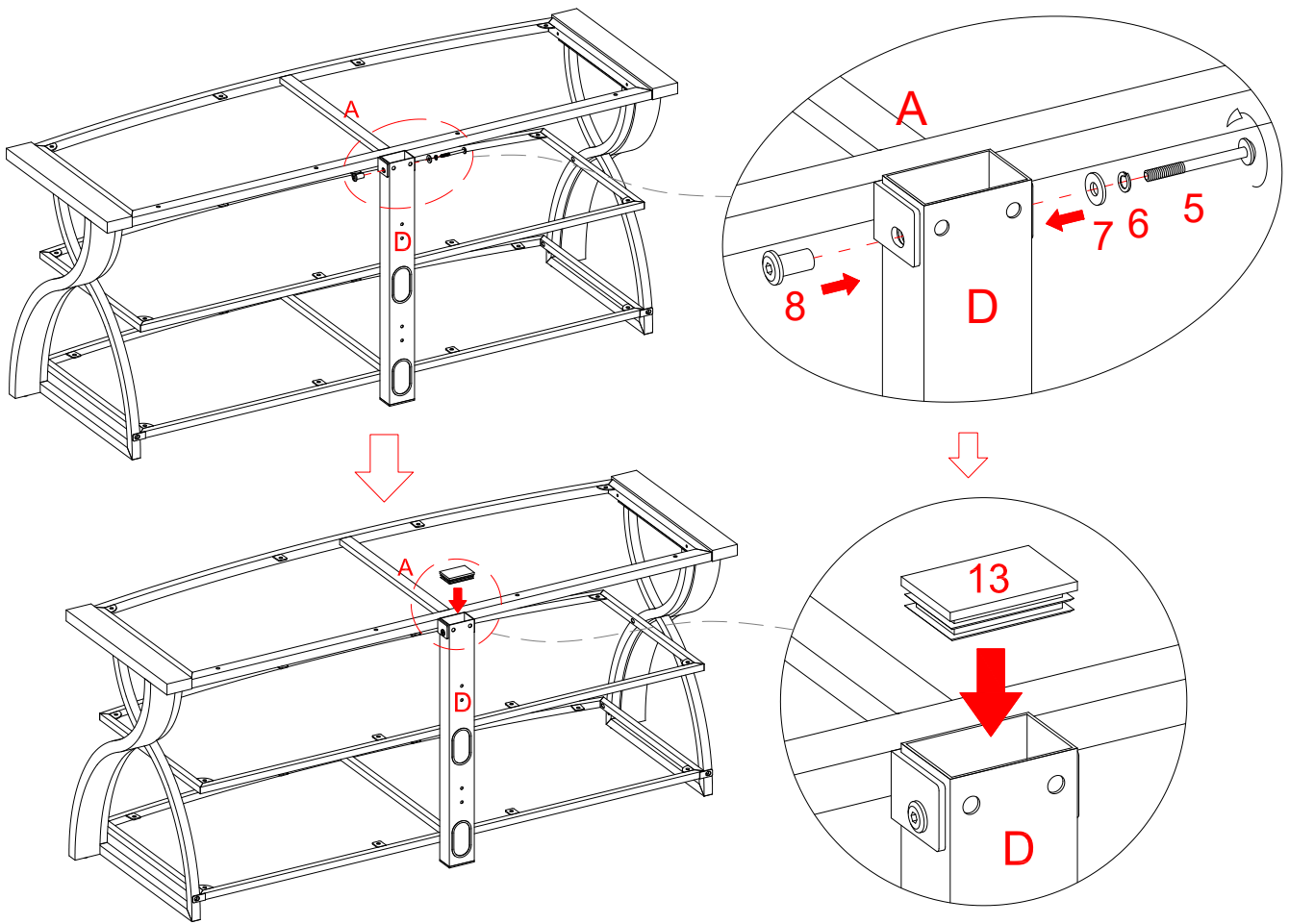
Assembly Instructions for Table-top Console



10. Unscrew the four bolts and the washers to remove the Upper Spine from the Spine Assembly (D) as shown above. So that you can use the table top console configuration.

NOTE: Keep the Upper Spine and the fasteners at a proper place in case you will use the floating swivel mount.

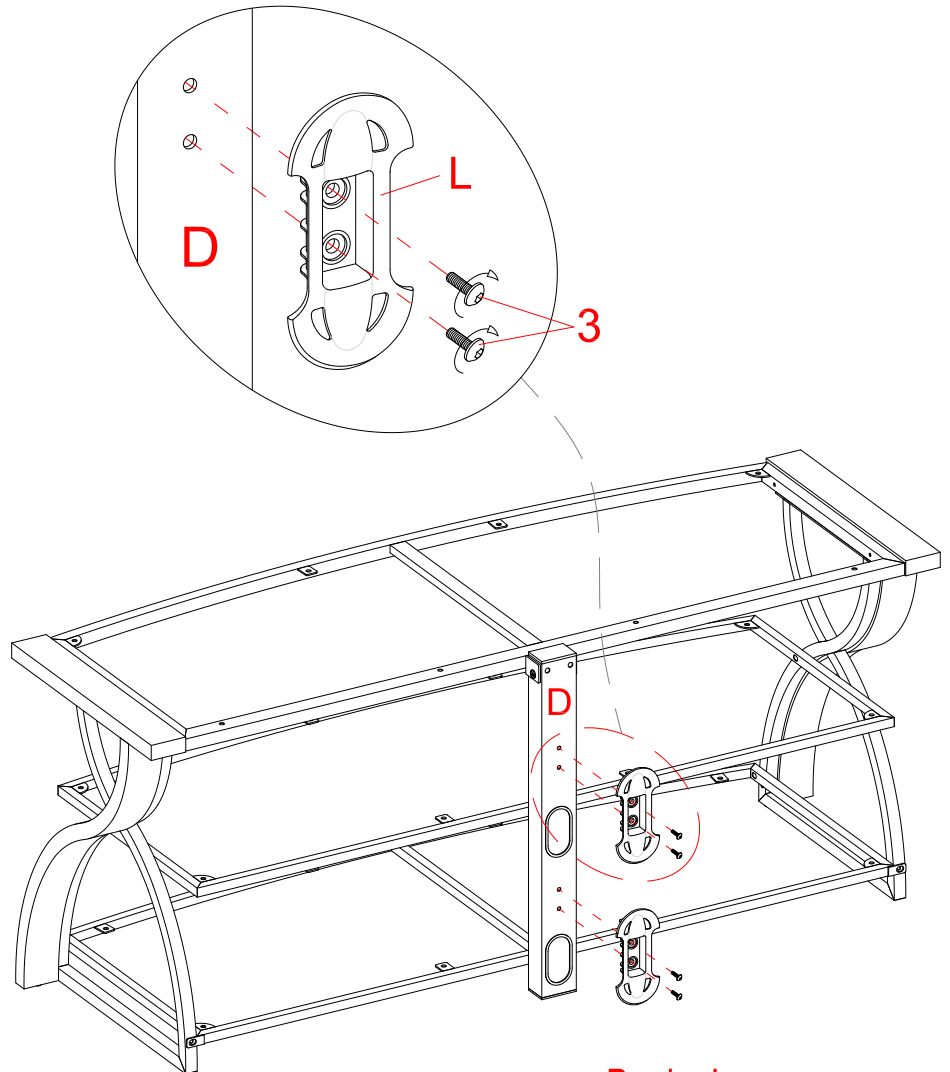
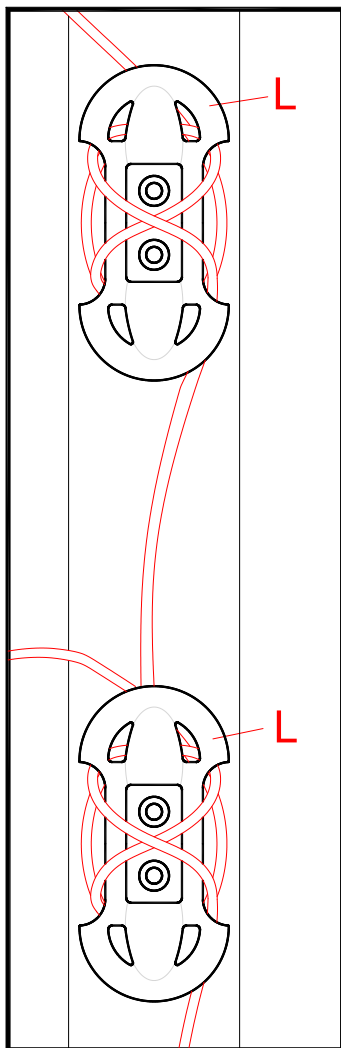
Assembly Instructions for Table-top Console



11. Fasten the Top Shelf Frame (A) to the Lower Spine (D) by inserting one 2-1/2" Bolt (5) with the Washers (6 and 7) through the drilled holes on the lower spine and securely screw into the Flange Nut (8).

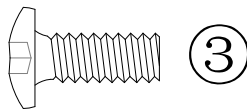
12. Plug the Spine End Cap (13) all the way onto the top of the Lower Spine (D).

Assembly Instructions for Table-top Console



Back view

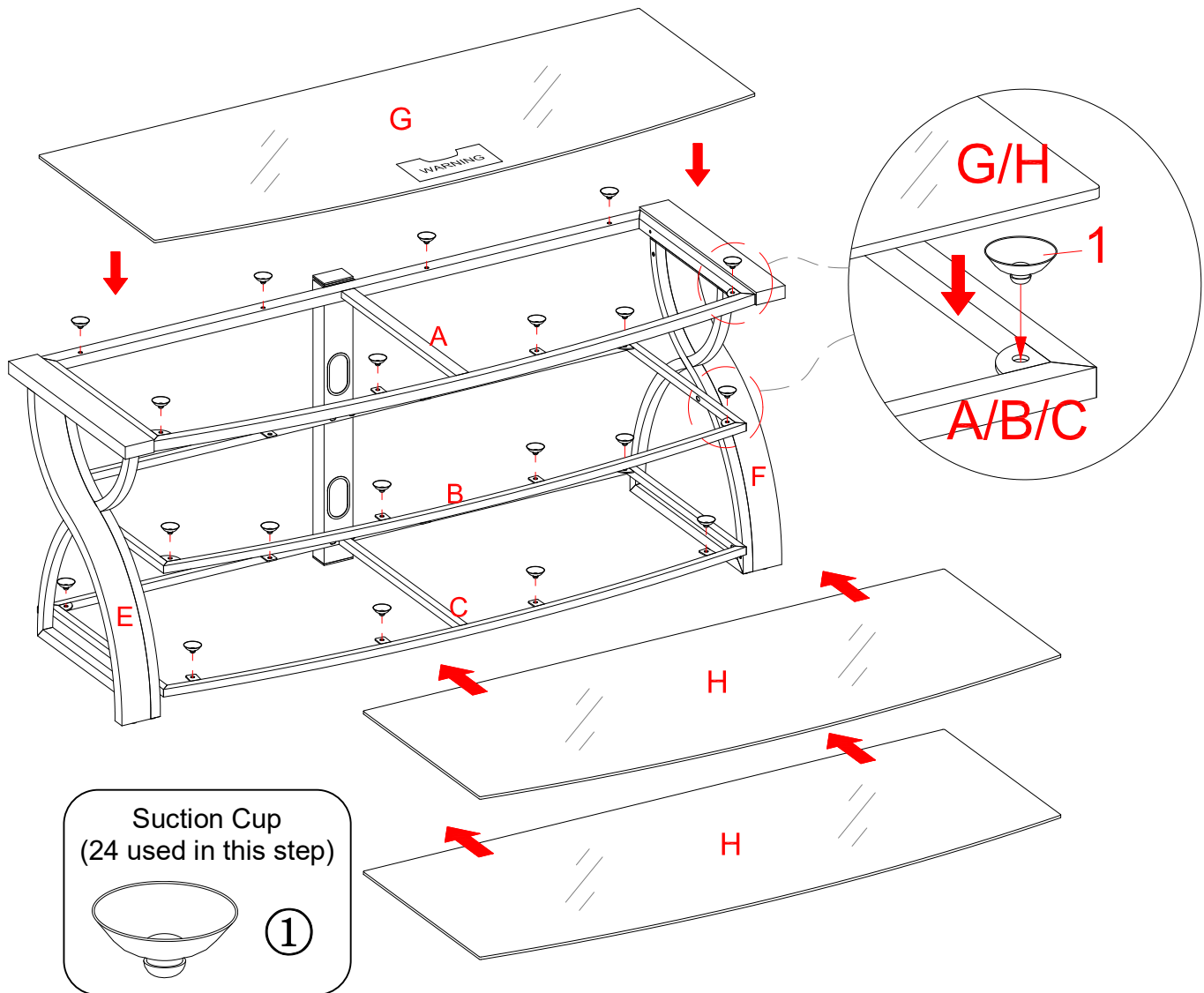
5/8" Bolt
(4 used in this step)



13. Attach 2 Cable Wheels (L) to the backside of the Lower Spine (D) with the 5/8" Bolts (3). Tighten the bolts with the enclosed hex wrench.

NOTE: You can use the Cable Wheels to help keep your entertainment center's cables and cords organized.

Assembly Instructions for Table-top Console



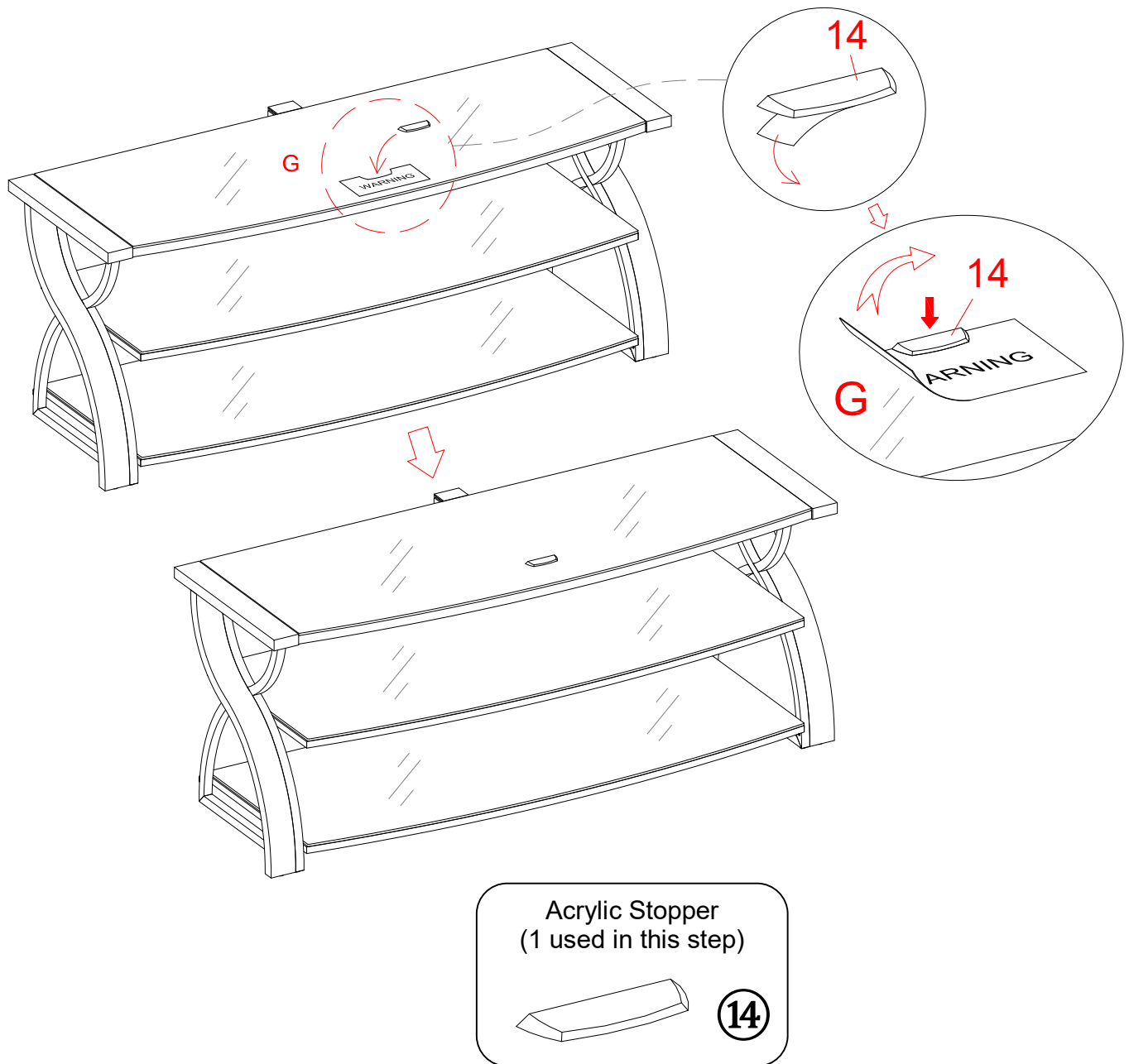
14. Put the Suction Cups (1) firmly into the top holes and the inside metal tabs on three Shelf Frames (A, B and C).

TIP: If a suction cup resists insertion, try pressing down on the middle of the cup with the hex wrench while twisting it clockwise into the hole.

15. Place the Glass Shelves (G and H), with the black side of the glass down, onto the Suction Cups (1) on shelf frames as shown above. Push each glass shelf all the way back against the Spine. Also, be sure to press down evenly and firmly each glass onto the Suction Cups to make sure they securely rest onto the Suction Cups.

NOTE: If a glass shelf is scratched, you can minimize the damage by using a BLACK marker and filling in scratched area from underneath.

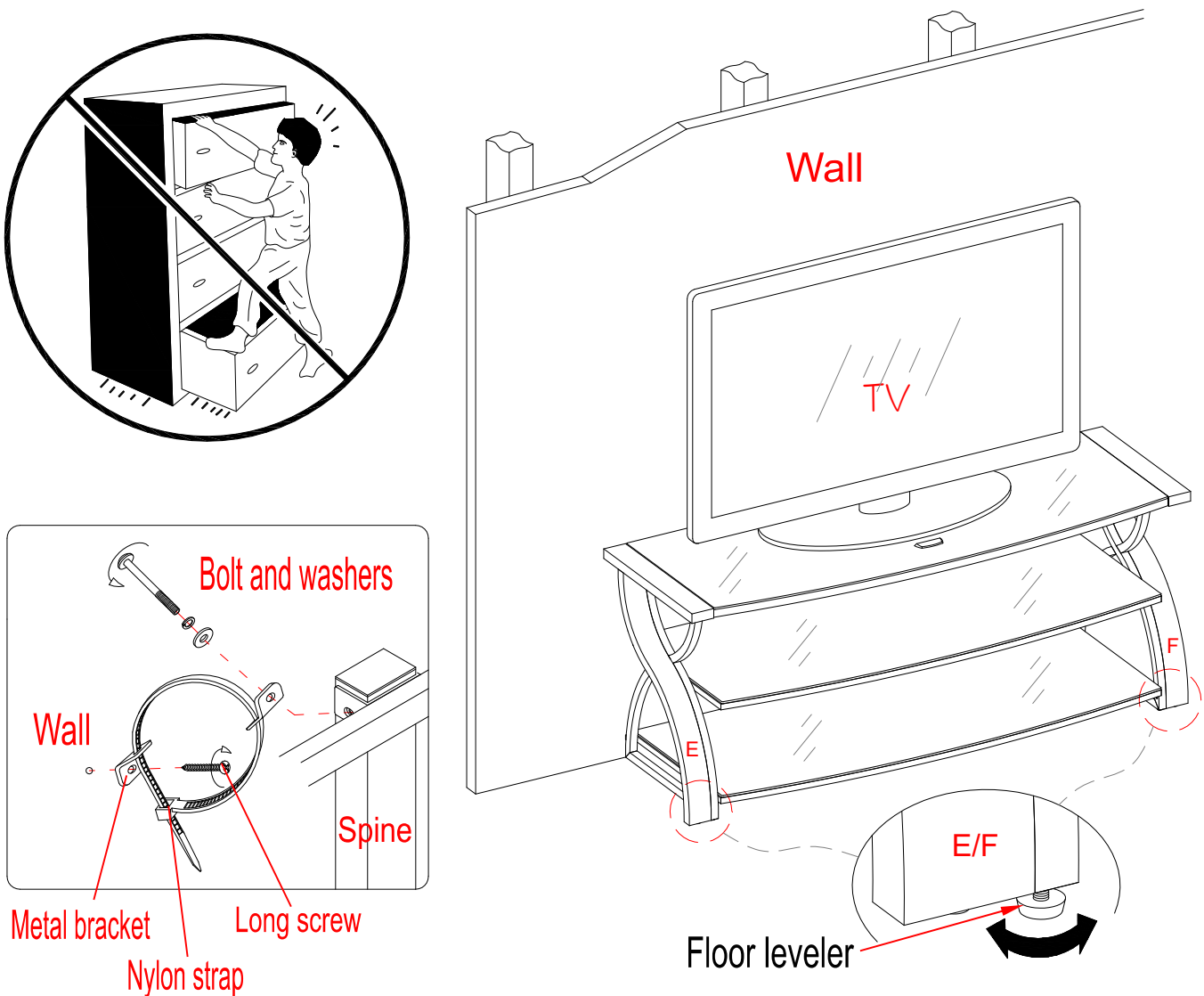
Assembly Instructions for Table-top Console



NOTE: To prevent your TV from tipping, you must follow these instructions if you place a flat panel television on top of your stand. Otherwise, skip to Step 17.

16. Remove the paper backing from the Acrylic Stopper (14) and place it in the cut-out of the acrylic stopper template on the front of the Top Glass (G). Make sure it is properly aligned before applying pressure.
17. Remove the acrylic stopper template carefully.

Assembly Instructions for Table-top Console



Tools required: Hex wrench (provided), Phillips screwdriver, stud finder, measure tape, pencil, power drill, and 1/8" drill bit (not provided).

18. Position the assembled console at the desired location against a wall. In case of uneven floor, Floor Levelers are provided at the bottom of both Legs (E and F). Simply tilt the unit back and raise or lower Floor Leveler by hand to correct tilting as shown above.

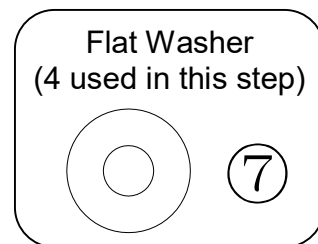
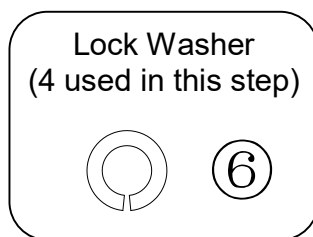
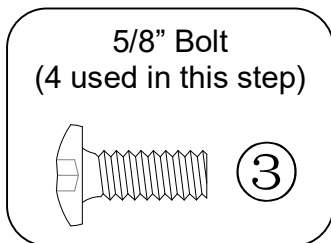
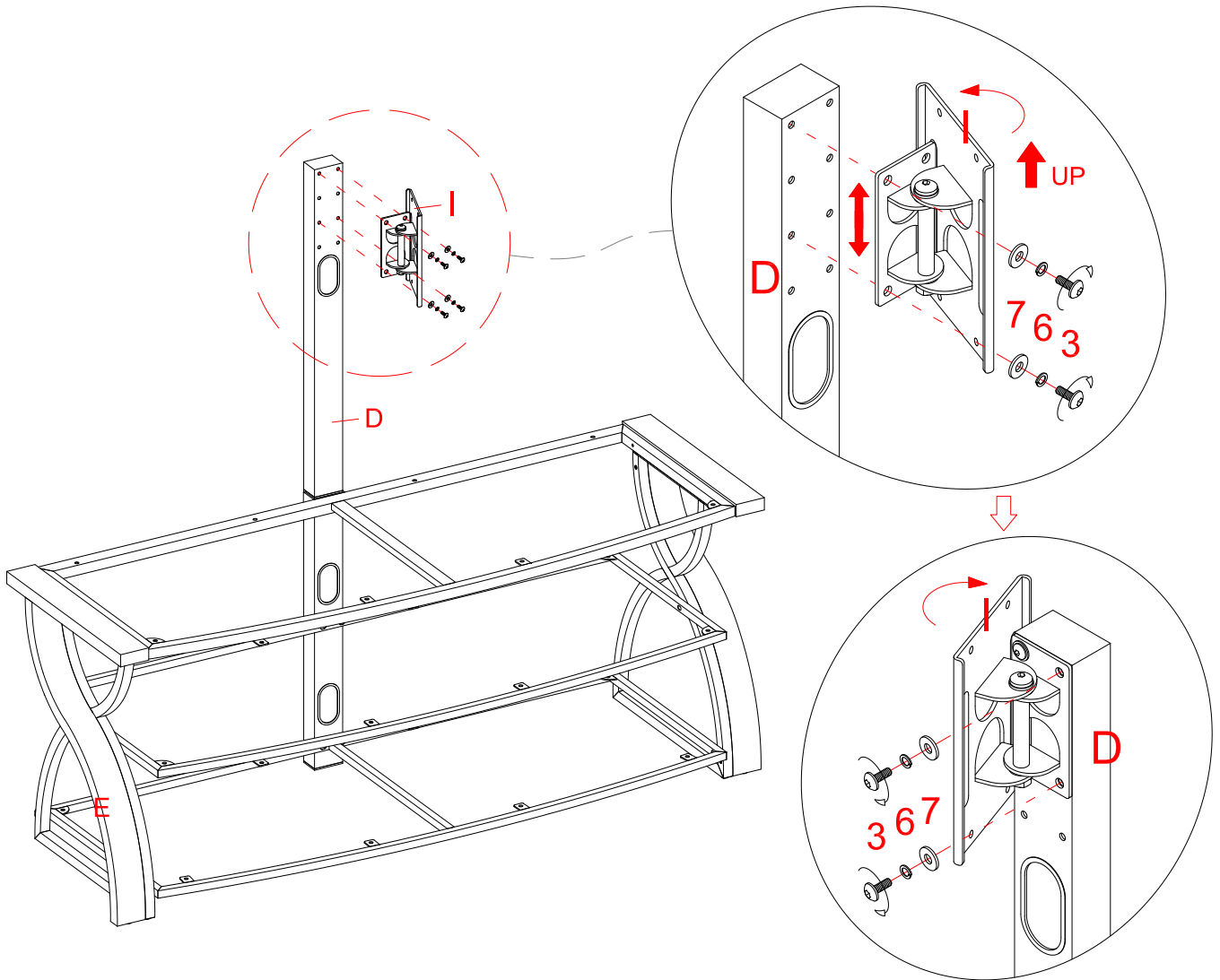
19. Now, follow the instructions printed on the plastic bag containing the Tipping Restraint Hardware to attach the tip-over restraint to the spine and the wall.

NOTE: YOU MUST USE THIS TIPPING RESTRAINT TO ATTACH THIS UNIT TO THE WALL, TO PREVENT ACCIDENTS AND/OR INJURIES.

20. The table-top console is now ready for use. Be sure to position your Flat Panel TV in the center of the console.

NOTE: If you choose the Wall Mounted configuration, proceed to PAGE 20.

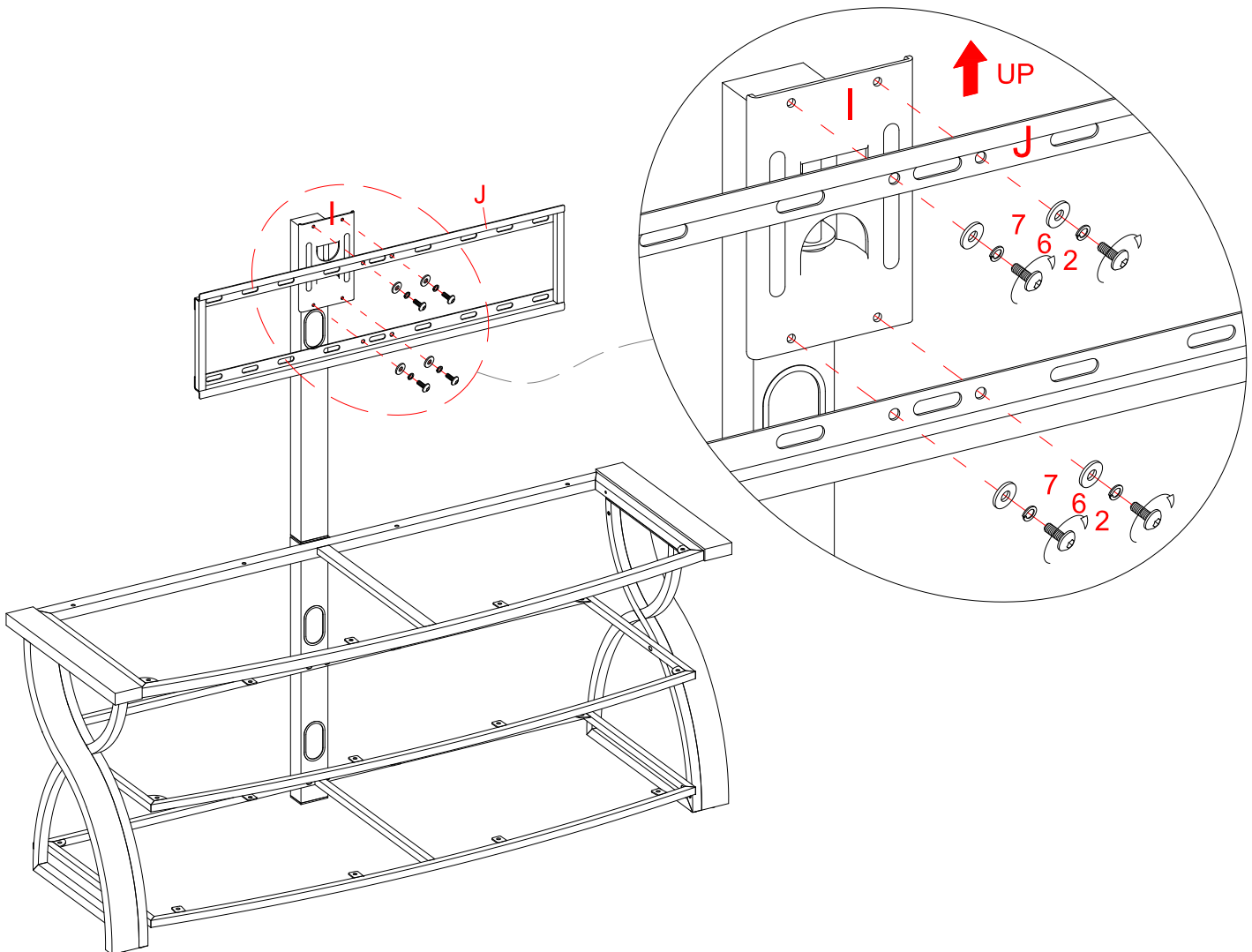
Assembly Instructions for Floating Swivel Mount



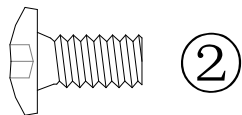
21. Fasten the Swiveling Bracket (I) to the top of the Spine Assembly (D) with four 5/8" Bolts (3) and four Washers (6 and 7). Turn the Swiveling Bracket against the Upper Spine (D) when tightening the bolts with the enclosed M4 hex wrench. Make sure the pivoting bolt head faces up.

NOTE: The Spine can provide two height options for the TV set. Refer to your TV size and adjust the Swiveling Bracket to the desired height for optimum viewing.

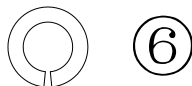
Assembly Instructions for Floating Swivel Mount



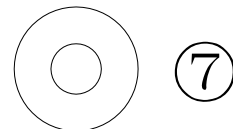
1/2" Bolt
(4 used in this step)



Lock Washer
(4 used in this step)

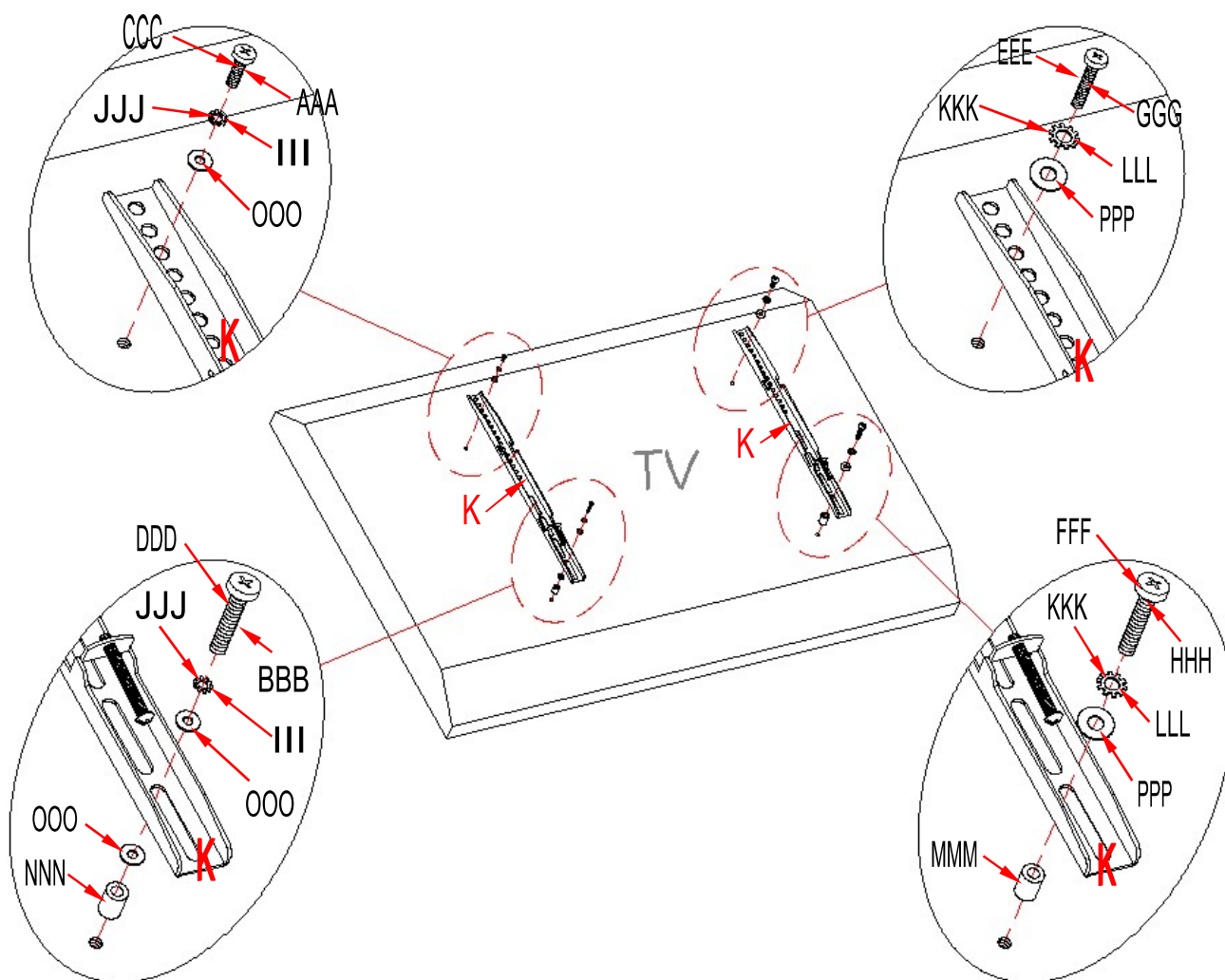


Flat Washer
(4 used in this step)



22. Hold and attach the flat side of the Mounting Frame (J) onto the Swiveling Bracket (I) using four 1/2" Bolts (2) and four Washers (6 and 7).

Mounting the Monitor Brackets to a Television with a Flat Back



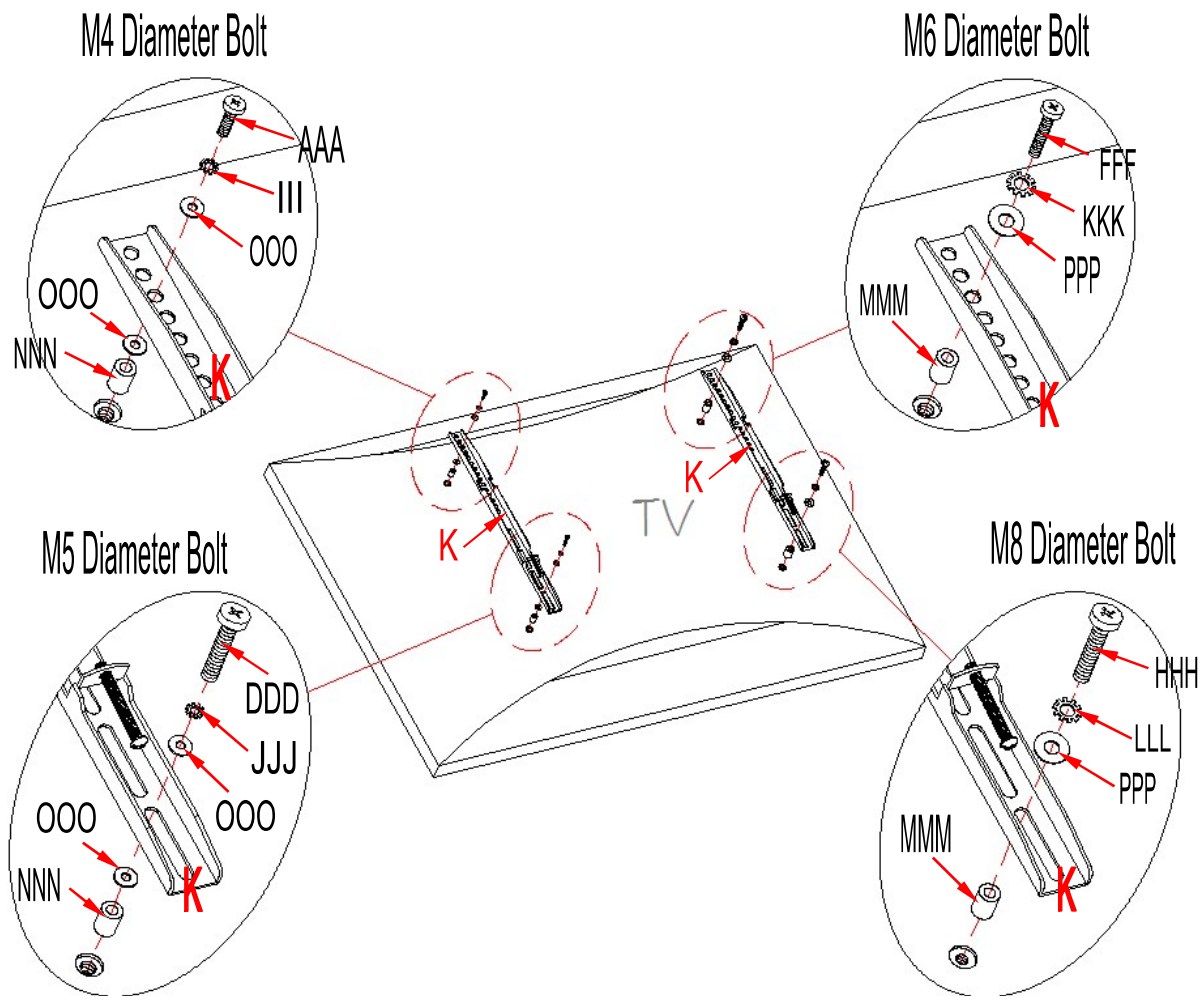
NOTE: For televisions with a curved or recessed back, proceed directly to next page.

23. Determine the correct diameter of the bolt the TV requires by hand threading them into the threaded insert on the back of the TV. If you encounter any resistance, stop immediately. If you are unable to find the correct bolt, consult a local hardware store.
24. Follow the appropriate diagram above to attach the Monitor Brackets (K) to the back of the TV with the selected fasteners. Make sure the Monitor Brackets are centered and level with each other. Secure the bolts with a Phillips screwdriver. DO NOT over tighten the bolts.

NOTE: Lean the TV up against a wall or other solid surface when attaching the Monitor Brackets. DO NOT place the TV face down on the glass as this may cause permanent damage.

NOTE: If mounting your TV in the Wall Mount configuration, once you have completed the installation of the monitor brackets, proceed to PAGE 20.

Mounting the Monitor Brackets to a Television with a Curved/Recess Back

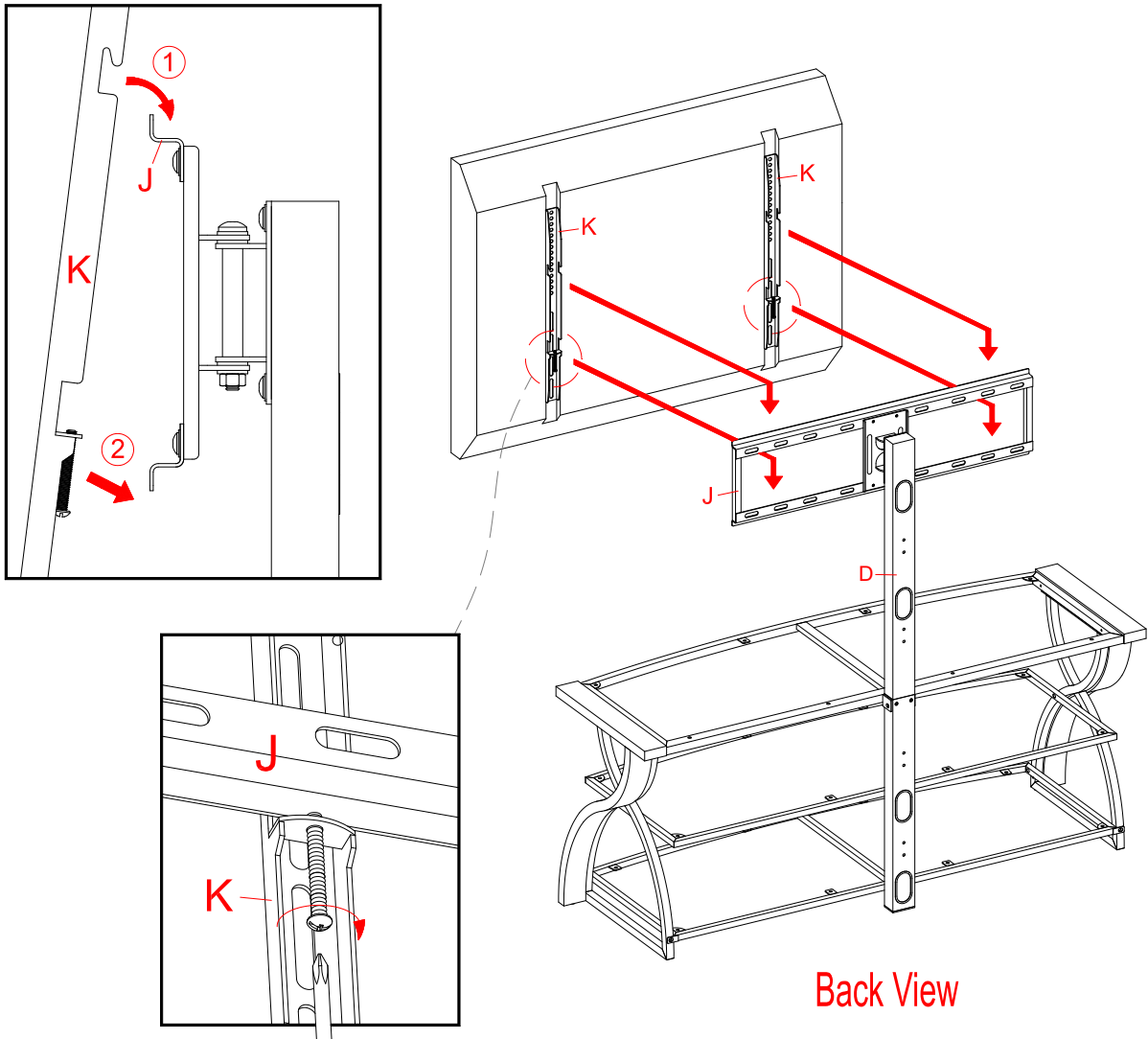


25. Determine the correct diameter of the bolt the TV requires by hand threading them into the threaded insert on the back of the TV. If you encounter any resistance, stop immediately. If you are unable to find the correct bolt consult a local hardware store.
26. Follow the appropriate diagram above to attach the Monitor Brackets (K) to the back of the TV with the selected fasteners. Make sure the Monitor Brackets are vertically centered and level with each other. Secure the bolts with a Phillips screwdriver. DO NOT over tighten the bolts.

NOTE: Lean the TV up against a wall or other solid surface when attaching the Monitor Brackets. DO NOT place the TV face down on the glass as this may cause permanent damage.

NOTE: If mounting your TV in the Wall Mount configuration, once you have completed the installation of the monitor brackets, proceed to PAGE 20.

Assembly Instructions for Floating Swivel Mount



Tighten until lock bolt hits the underside of Mounting Frame

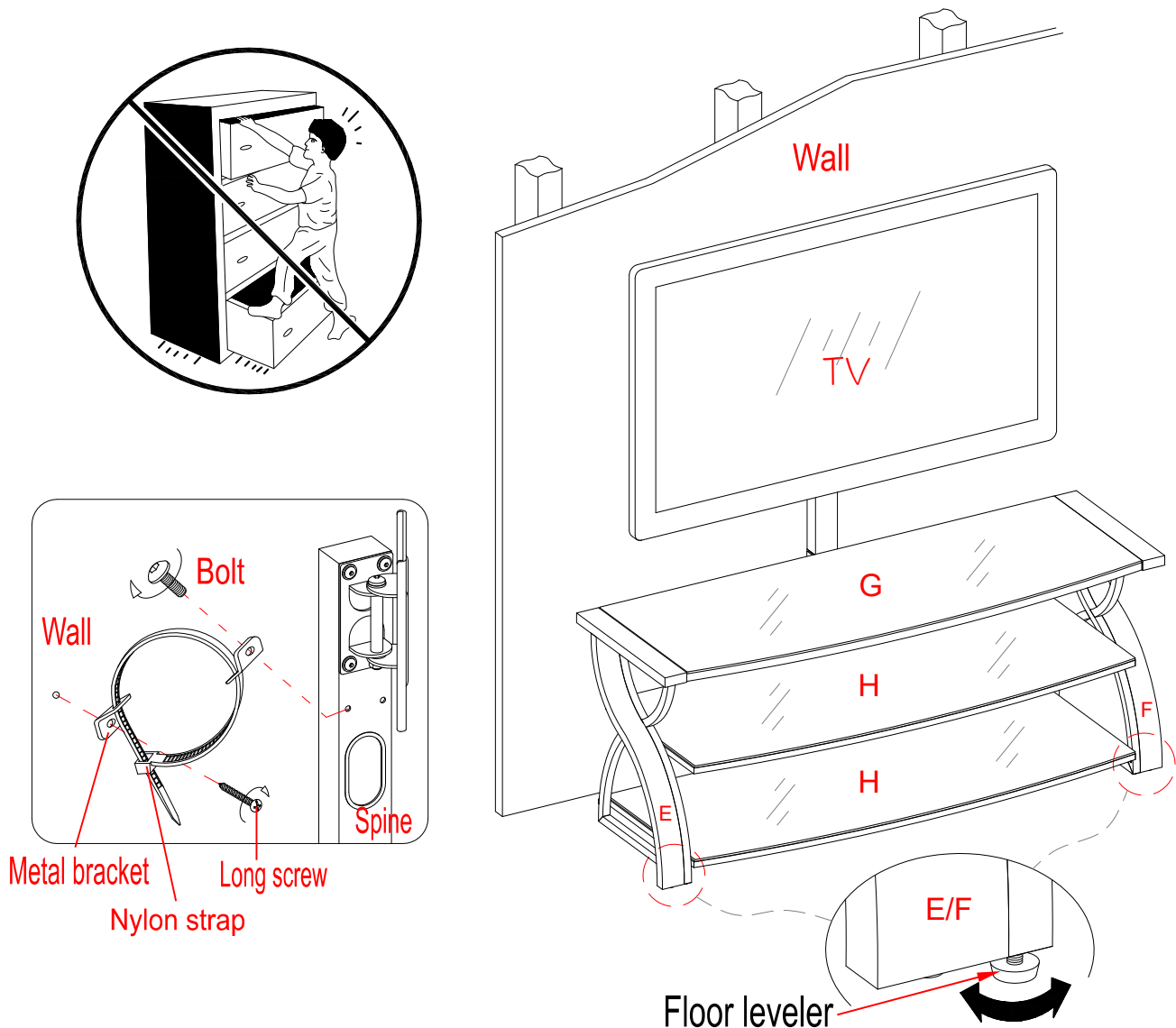
MAKE SURE ALL BOLTS ARE TIGHT AND THE SPINE IS AT A 90 DEGREE ANGLE AND VERIFY THE MOUNTING FRAME IS LEVEL, USING A QUALITY LEVEL, PRIOR TO INSTALLATION OF TV.

27. Ask for assistance to lift the television up to hang the Monitor Brackets (K) onto the Mounting Frame (J). Set the hooks on the Monitor Brackets (K) over the Mounting Frame (J) and then lower them onto the bars of the Mounting Frame.

NOTE: Loosen the Lock Bolt that is pre-attached on the Monitor Brackets to ensure a comfortable fit at the bottom hooks.

28. Center the television and tighten both lock bolts with a long Phillips screwdriver until they hit the underside of the Mounting Frame (J) to secure it in place.

Assembly Instructions for Floating Swivel Mount



Tools required: Hex wrench (provided), Phillips screwdriver, stud finder, measure tape, pencil, power drill, and 1/8" drill bit (not provided).

29. Repeat steps 13 through 15 to attach the Cable Wheels (L) to the Spine and install the Glass Shelves (G and H) into place.

30. Carefully move the console and position it at the desired location against a wall. Simply tilt the unit back and raise or lower Floor Leveler by hand to correct tilting, as shown above. Now, follow the instructions printed on the plastic bag containing Tipping Restraint Hardware Kit to mount the tip-over restraint to the Spine (D) and the wall.

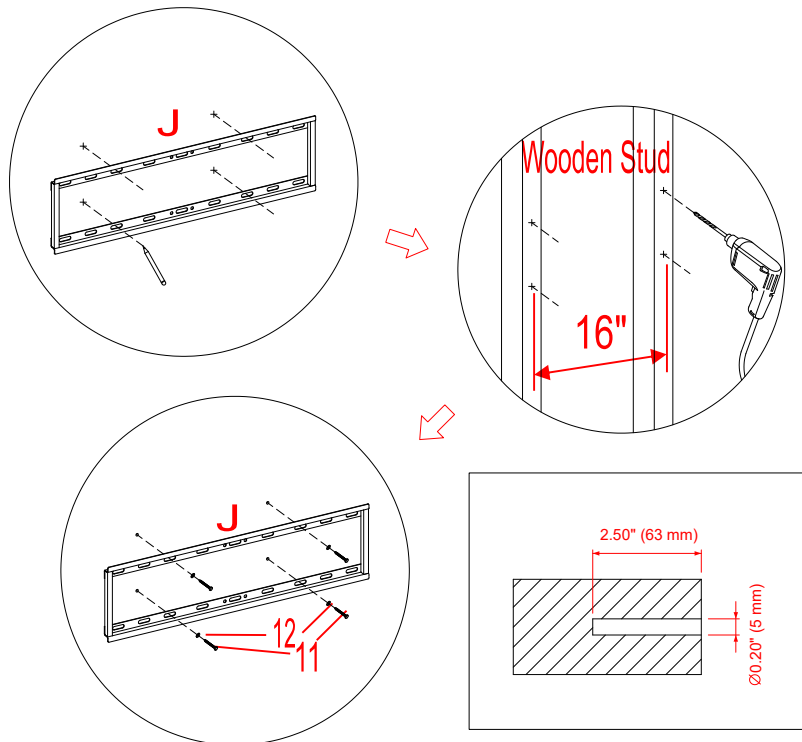
NOTE: YOU MUST USE THIS TIPPING RESTRAINT HARDWARE TO ATTACH THE UNIT TO THE WALL, TO PREVENT ACCIDENTS AND/OR INJURIES.

31. The console is now ready for use. Swivel the TV left-or-right for optimum viewing control.



The following steps are only for those who wish to mount their TV directly to the wall. If you have already mounted your TV to the Swinging Floater or plan to display your TV on the top surface of the Console, disregard the following steps.

Assembly Instructions for Universal Wall Mount Installing the Mounting Frame onto a WOODEN STUD WALL



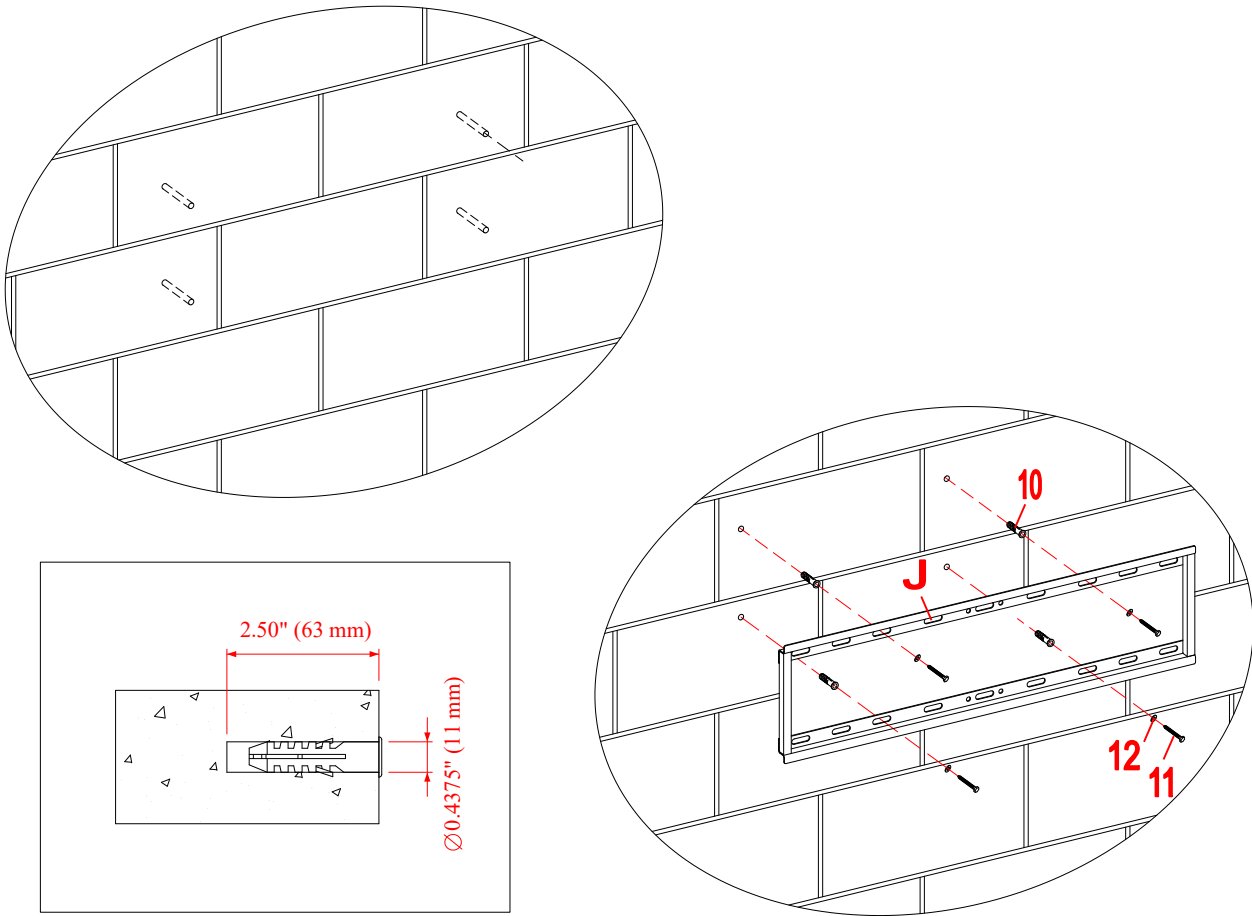
NOTE: If you are mounting your TV onto brick, solid concrete or concrete block walls, skip this section. This assembly requires an electric drill, level and stud finder (not included).

32. Using a stud finder, locate the edges of the wood studs. Find the center line of each stud and draw a vertical reference line on the wall over each one. Place the Mounting Frame (J) level against the wall where you intend to mount the TV. Using the Mounting Frame (J) as a template, mark 4 drill points (2 on top, 2 on bottom) with a pencil on the vertical reference lines you just drew.
33. With an electric drill (not included), drill 3/16 inch diameter holes to at least 2½ inch deep on the 4 drill points. While holding the Bracket Plate in place, loosely screw in the Lag Bolts (11).
34. Secure the Mounting Frame (J) to wall with Lag Bolts (11) and the Washers (12) at the drill points. Tighten the bolts firmly but be careful not to over-tighten.

WARNING

Do not over tighten the Lag Bolts. Tighten Lag Bolts only until the Lag Bolt Washer is pulled firmly against the metal plate of Mounting Frame. If there is a layer of drywall or other material, this drywall or other material may not exceed 5/8 inch in thickness. Failure to heed this caution may result property damage and/or personal injury.

Assembly Instruction for installing the Mounting Frame onto BRICK, SOLID CONCRETE OR CONCRETE BLOCK WALLS



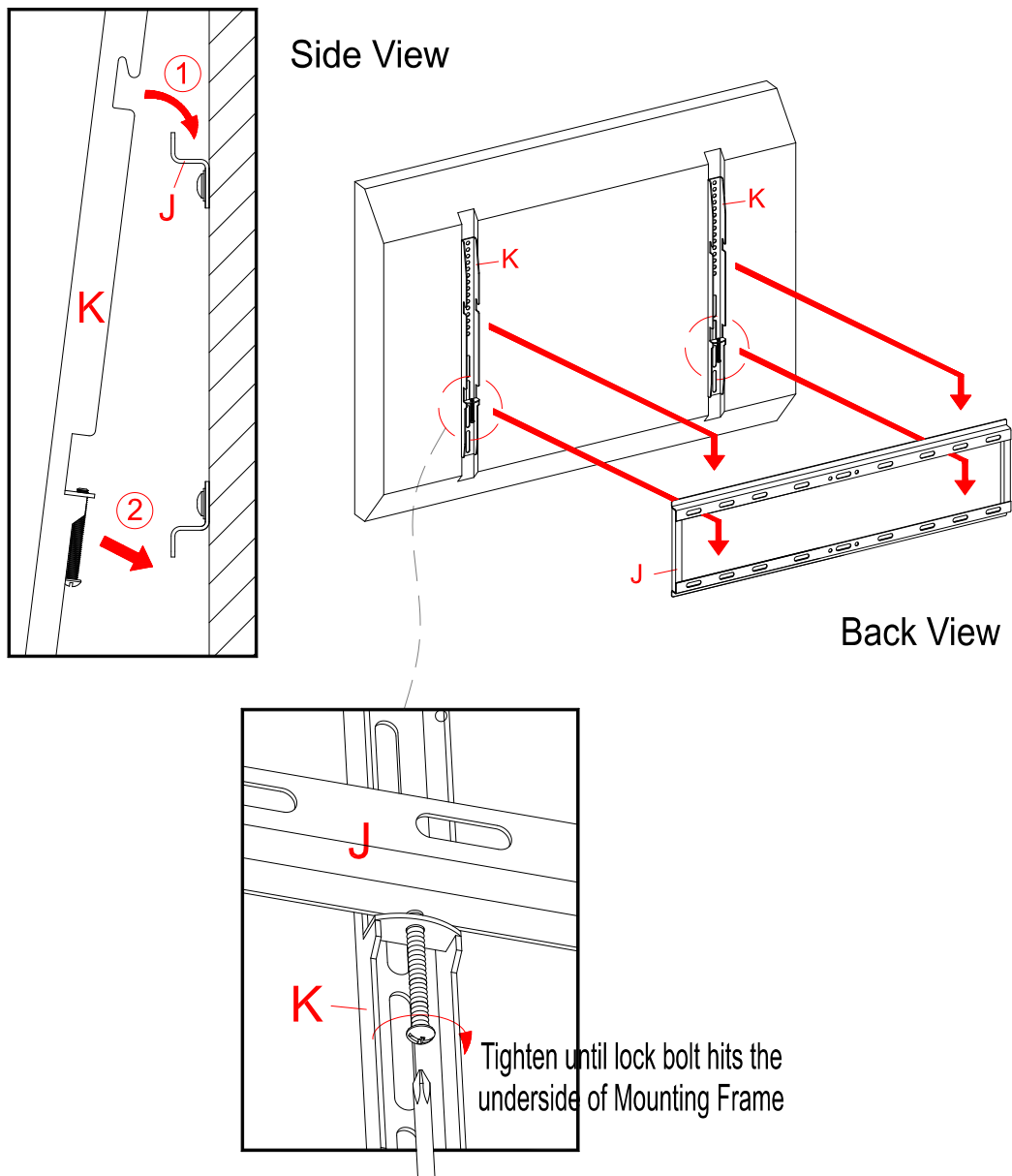
⚠ WARNING Maximum weight 61.3 kg /135 lb

⚠ WARNING Concrete Anchors should only be used for masonry mounting. NEVER use the wall anchors to mount the unit to drywall.

NOTE: If you are mounting your TV to a wall with wooden studs, skip this section. This assembly requires an electric drill and level (not included).

35. Begin by placing the Mounting Frame (J) level against the wall where you intend to mount the TV. Using the Mounting Frame (J) as a template, mark 4 drill points with a pencil.
36. With an electric drill (not included) on its low setting, drill 7/16 inch diameter holes to at least 2½ inch deep. Insert Concrete Anchors (10) into the pre-drilled holes so that they are flush with the wall.
37. Place the Mounting Frame (J) level in the desired position against the wall. Secure the Mounting Frame (J) to wall with Lag Bolts (11) and the Washers (12) at the drill points. Tighten the bolts firmly but be careful not to over-tighten.

Assembly Instructions



38. Attach the Monitor Brackets (K) to the back of the television following steps 23 and 24, or 25 and 26, depending on the type of TV that you own.
39. Once the Monitor Brackets (K) are attached onto the back of television, ask for assistance to lift the television up to attach the Monitor Brackets onto the Mounting Frame (J). Set the hooks of the Monitor Brackets over the Mounting Frame and then lower them onto the bars of the Mounting Frame. Loosen the Lock Bolts that are pre-attached on the Monitor Brackets to ensure an easy fit at the bottom hooks. Proceed to center the television. When the TV is in its intended position, tighten both lock bolts with a long Phillips screwdriver until they hit the underside of the Mounting Frame (J). This will ensure the TV is safely secured to the wall.
40. Place the assembled console under your TV. Finally, connect the A/V and power cables to your TV. You are now ready to enjoy your wall-mounted Flat Panel TV.

Care and Maintenance

- Use a soft, clean cloth that will not scratch the surface when dusting.
- Use of furniture polish is not necessary. Should you choose to use polish, test first in an inconspicuous area.
- Using solvents of any kind on your furniture may damage the finish.
- Never use water to clean your furniture as it may cause damage to the finish.
- Always use coasters under beverage glasses and flowerpots.
- Liquid spills should be removed immediately. Using a soft, clean cloth, blot the spill gently. Avoid rubbing.
- Always use protective pads under hot dishes and plates. Heat can cause chemical changes that may create spotting within the furniture finish.
- Stains or marks from crayons or ink markers will be difficult to remove.
- In the event that your furniture is stained or otherwise damaged during use, we recommend that you call a professional to repair your furniture.
- Check bolts/screws periodically and tighten them if necessary.

Further Advice about Furniture Care

It is best to keep your furniture in a climate-controlled environment. Extreme temperature and humidity changes can cause fading, warping, shrinking and splitting of wood. It is advised to keep furniture away from direct sunlight as sun may damage the finish.

Proper care and cleaning at home will extend the life of your purchase. Following these important and helpful tips will enhance your furniture as it ages.

A touch-up pen has been provided to minimize the small nicks or scratches that may occur during assembly or shipping.

We hope you enjoy your purchase for many years.
Thank you for your purchase!

QUALITY GUARANTEE

We are confident that you will be delighted with your Whalen Furniture purchase.

Should this product be defective in workmanship or materials or fail under normal use, we will repair or replace it for up to one (1) year from the date of purchase. Every Whalen Furniture product is designed to meet your highest expectations. We guarantee that you will immediately see the value of our fine furniture.

This warranty gives you specific legal rights and you may also have other rights which vary from state to state or province to province.

Customer Service: 1-866-942-5362
8:30 a.m. - 4:30 p.m., PST, Monday to Friday
www.whalenfurniture.com