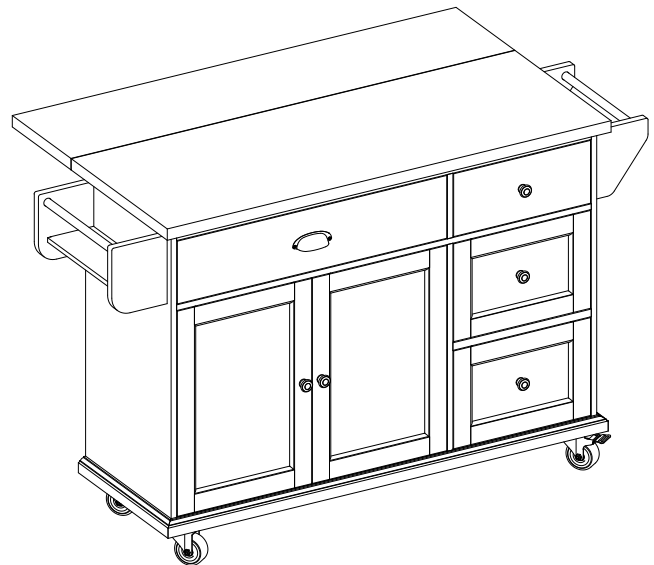


Grayson 58" Kitchen Cart

Model # BJ58KTC-WW



OR



Convenient drop leaf
breakfast bar configuration

ADULT ASSEMBLY REQUIRED

If you have any questions regarding assembly or if parts are missing, DO NOT return this item to the store where it was purchased. Please call our toll-free customer service number and have your instructions and parts list ready to provide the model name, part name or factory number:

1-866-942-5362

Pacific Standard Time: 8:30 a.m. - 4:30 p.m., Monday to Friday

Or visit our website 24 hours a day, 7 days a week for product assistance at

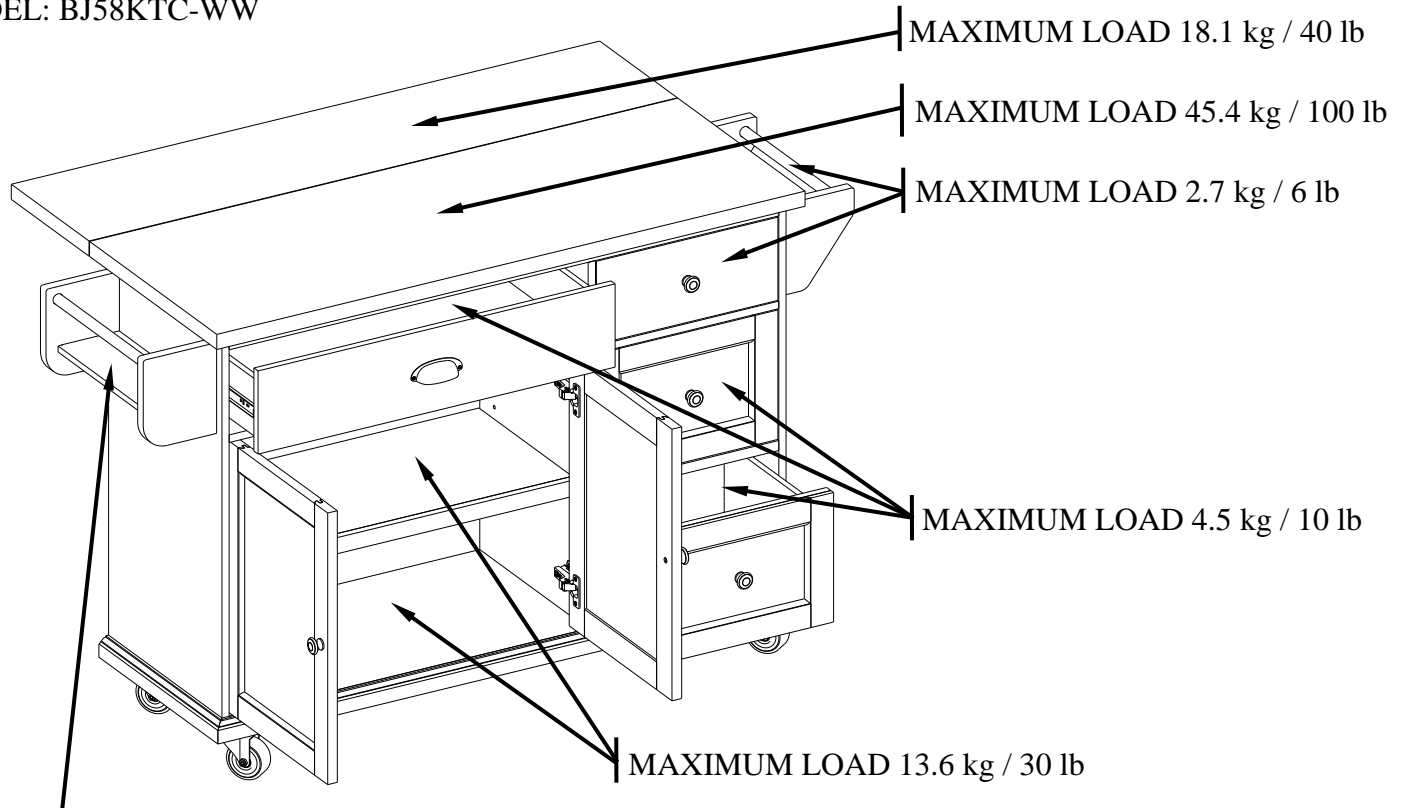
www.whalenfurniture.com

Or e-mail your request to **parts@whalenfurniture.com**

**THIS INSTRUCTION BOOKLET CONTAINS IMPORTANT SAFETY INFORMATION.
PLEASE READ AND KEEP FOR FUTURE REFERENCE.**

MAXIMUM RECOMMENDED WEIGHT LOADS

MANUFACTURER: Whalen Furniture Manufacturing
CATALOG: Grayson 58" Kitchen Cart
MODEL: BJ58KTC-WW



MAXIMUM LOAD 2.7 kg / 6 lb

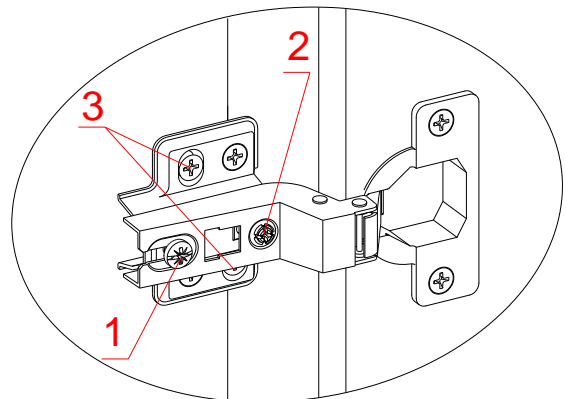
⚠ WARNING

THIS UNIT IS INTENDED ONLY FOR USE WITHIN THE MAXIMUM WEIGHTS INDICATED. USE WITH LOAD HEAVIER THAN THE MAXIMUM WEIGHTS INDICATED MAY RESULT IN INSTABILITY, CAUSING POSSIBLE INJURY.

How to adjust the European adjustable hinges on doors

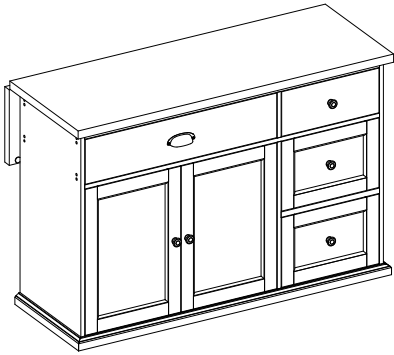
Shipping may cause doors to go out of alignment. If you find that the doors need to be adjusted slightly, turn the appropriate screw as illustrated.

1. TO ADJUST DOOR FORWARD OR BACKWARD.
2. TO ADJUST DOOR TO RIGHT OR TO LEFT.
3. TO ADJUST DOOR UP OR DOWN.

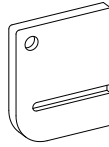


Parts and Hardware List

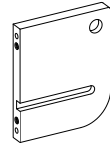
Please read completely through the instructions and verify that all listed parts and hardware are present before beginning assembly.



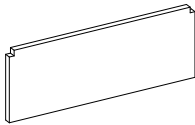
A- Cabinet
(Qty. 1)



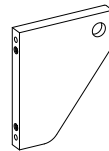
B- Spice Rack Panel A
(Qty. 1)



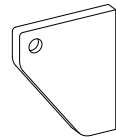
C- Spice Rack Panel B
(Qty. 1)



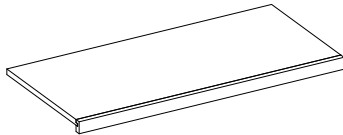
D- Rack Shelf
(Qty. 1)



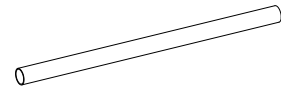
E- Towel Bar Support A
(Qty. 1)



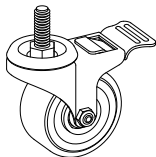
F- Towel Bar Support B
(Qty. 1)



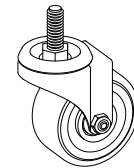
G- Adjustable Shelf (Qty. 1)
(Pre-attached)



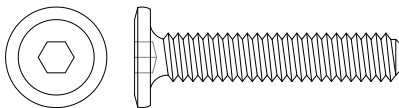
H- Metal Tube (Qty. 2)



I- Lockable Caster (Qty. 2)



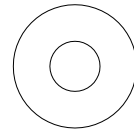
J- Swivel Caster (Qty. 2)



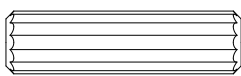
(1) 1/4" x 32 mm Bolt
(Qty. 8+1 extra)



(2) Lock Washer
(Qty. 8+1 extra)



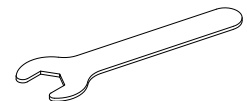
(3) Flat Washer
(Qty. 8+1 extra)



(4) M8 x 30 mm Wood Dowel
(Qty. 8+1 extra)



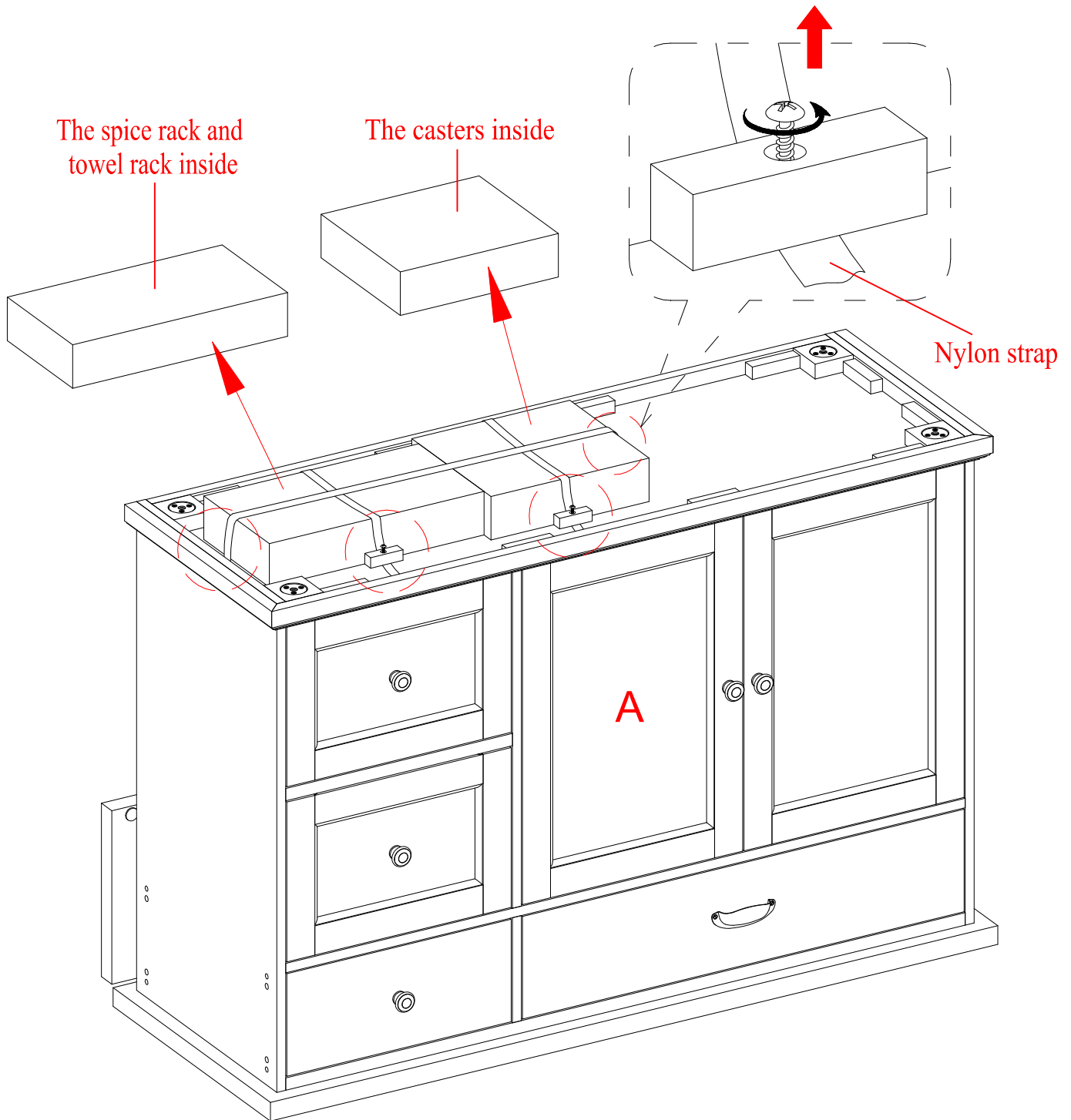
Hex Wrench
(Qty. 1)



Open Wrench
(Qty. 1)

Tools required: Hex wrench and open wrench (provided) and Phillips screwdriver (not provided).

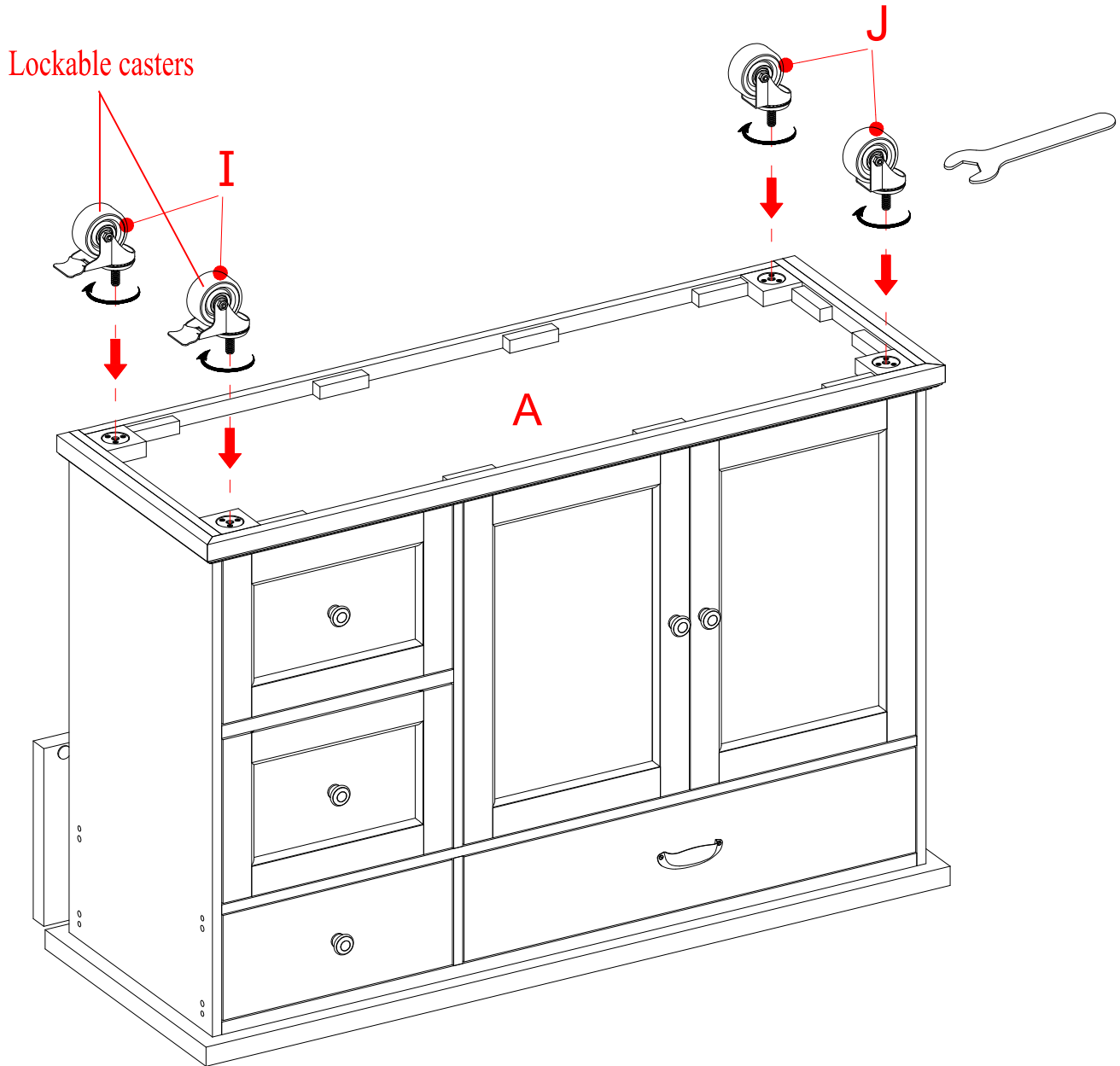
Assembly Instructions



NOTE: DO NOT fully tighten all bolts until you finish assembling all parts. Once assembled, go back and fully tighten all bolts. This will make it easier during assembly of unit.

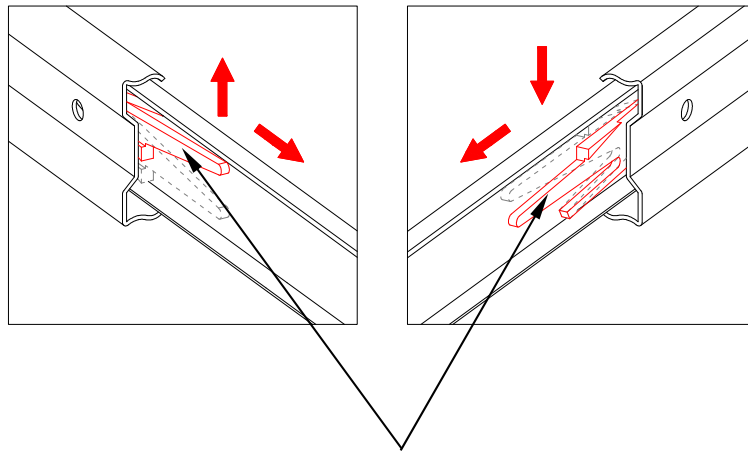
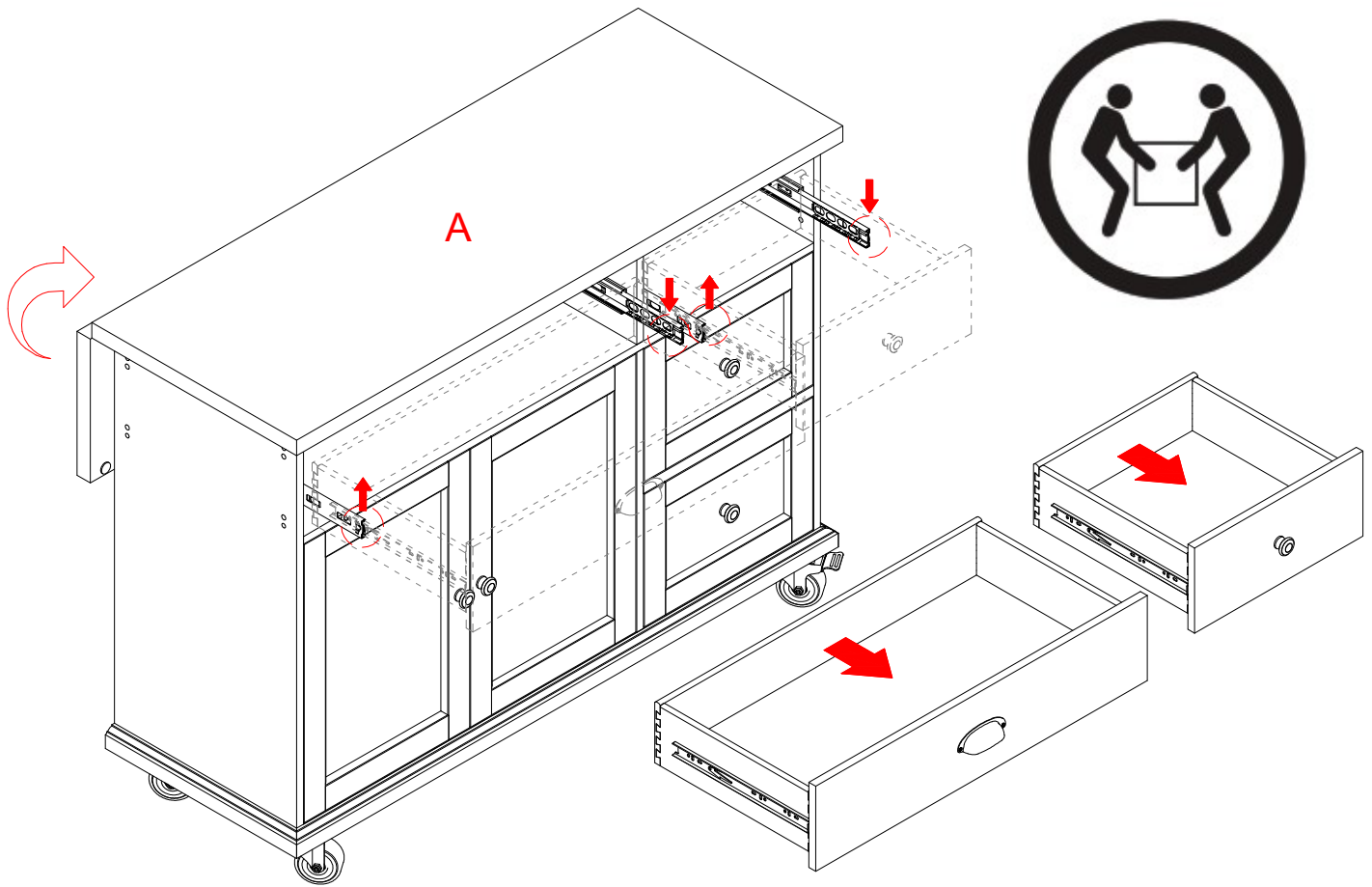
1. Unpack the unit and confirm that you have all the hardware and required parts listed.
2. Remove the spice rack, towel rack and Casters (I and J) from the bottom of the Cabinet (A). Take a Phillips screwdriver and remove the screws which hold the nylon straps in place.

Assembly Instructions



3. Fasten the Casters (I and J) to the bottom corner blocks using the open wrench enclosed. Make sure that two Lockable Casters (I) are located at the same short end.
4. Two Lockable Casters (I) make the cart freely stop at your will. Step on the brake to lock the Casters (I) in place for safe, stable use.

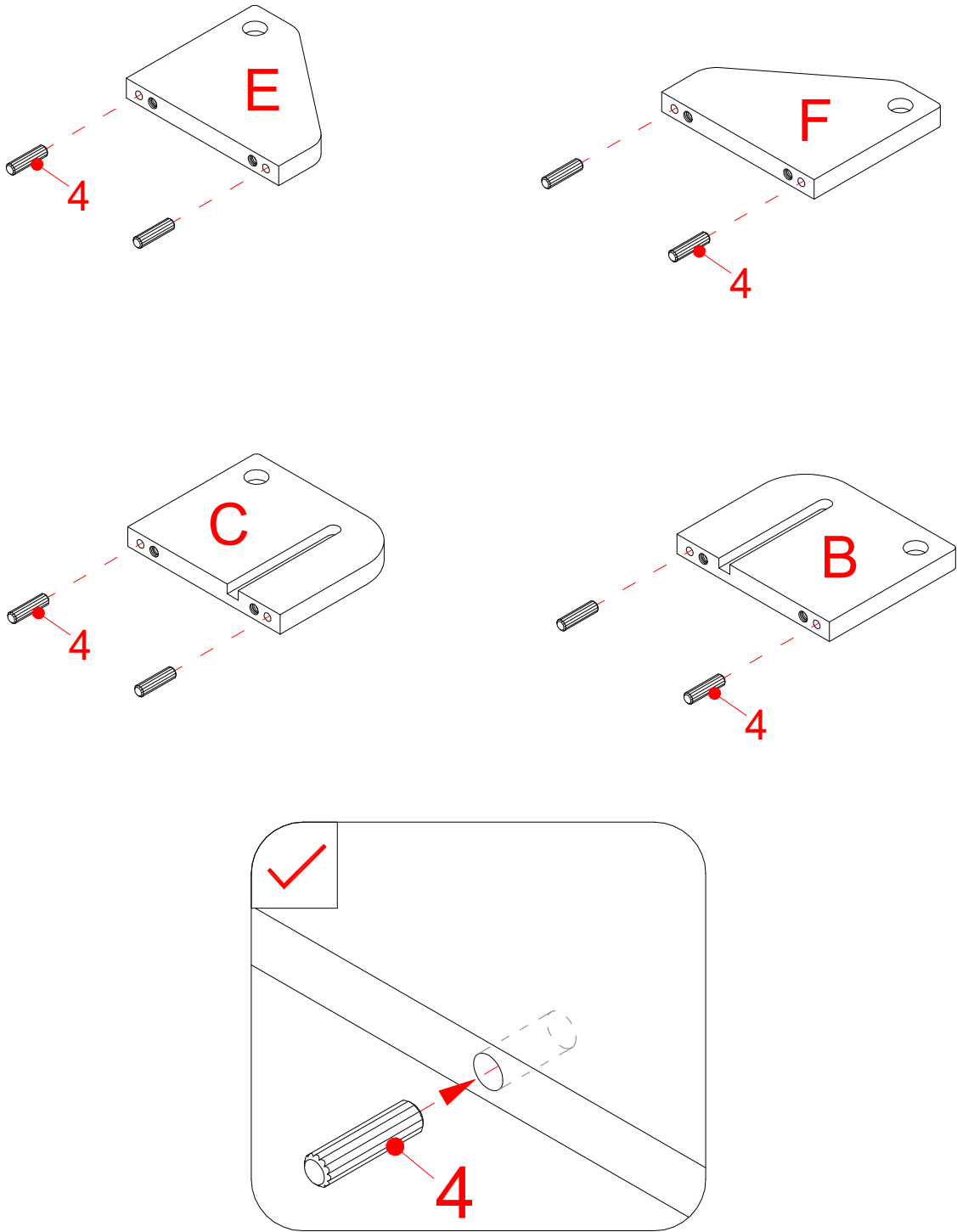
Assembly Instructions



Release lever

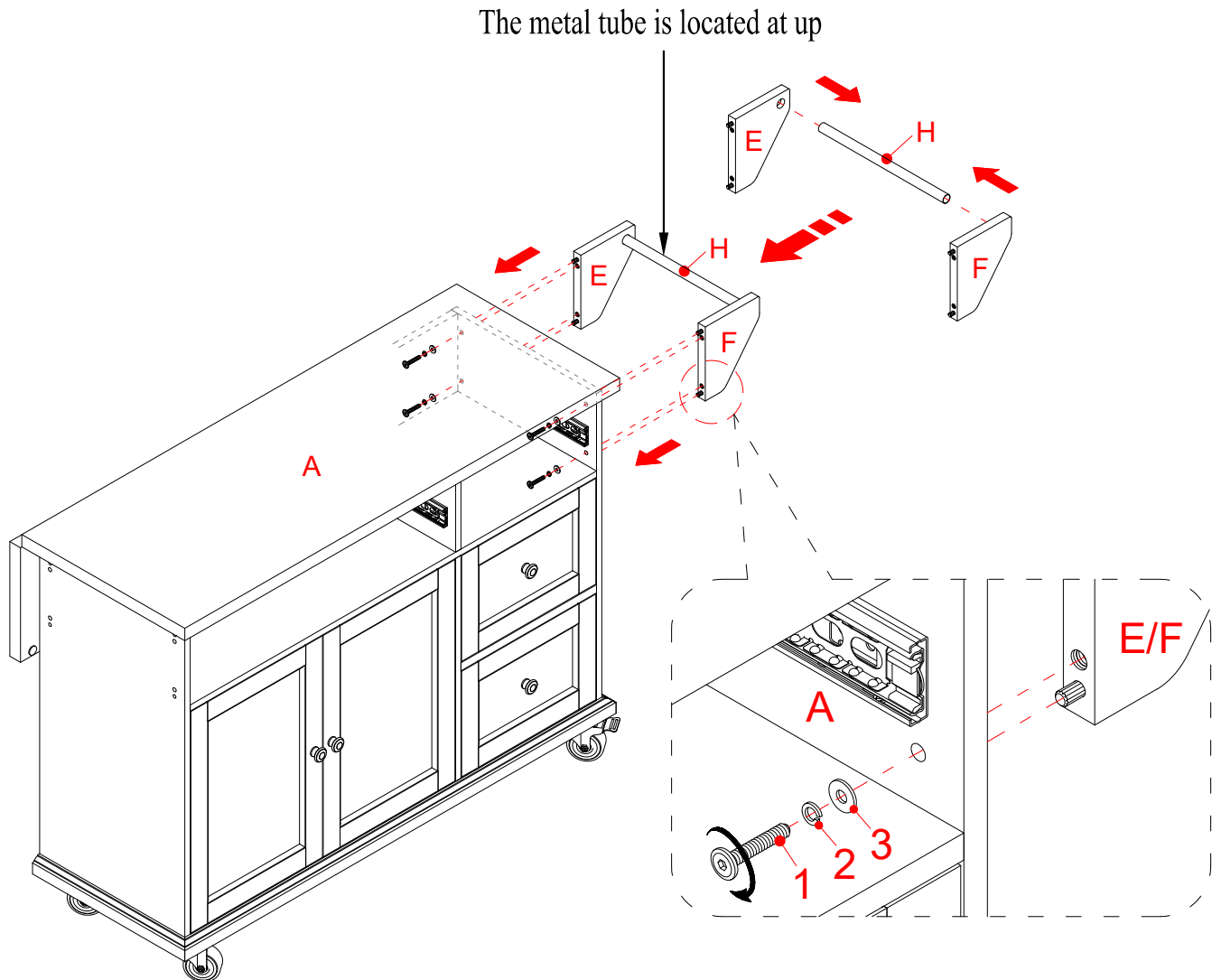
5. Ask for assistance to lift the assembled unit upright. Pay more attention to the drawers and drop-down leaf when standing the kitchen cart upright to prevent any accidents or damage to the unit.
6. To remove the drawers for the following assembly, pull the drawers all the way out, then simultaneously push the plastic release lever of the ball bearing slide up on one side and down on the other side, and then pull the drawers completely out.

Assembly Instructions



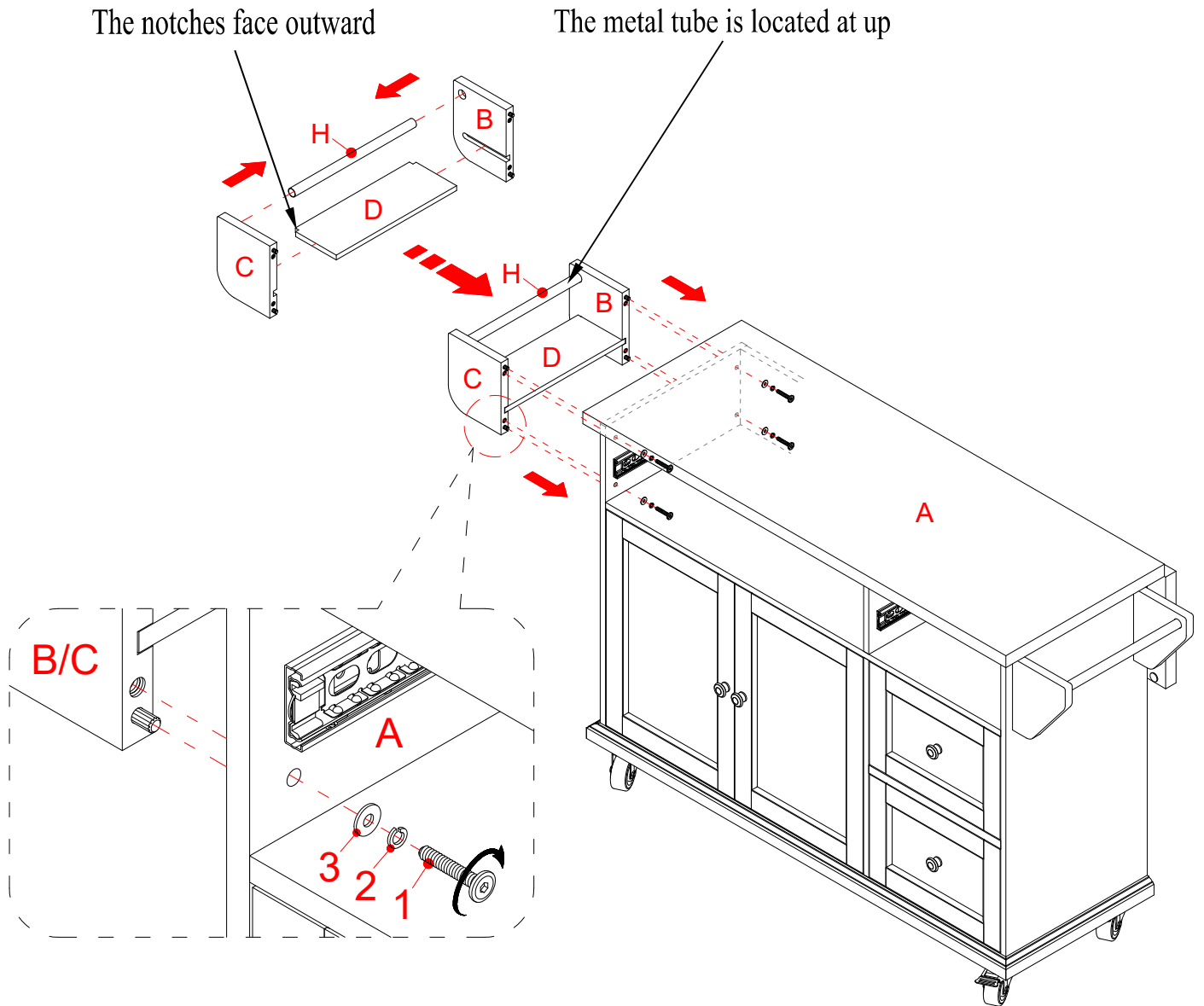
- 7. Fully insert the Wood Dowels (4) into the non-threaded holes on the Spice Rack Panels (B and C) and Towel Bar Supports (E and F).

Assembly Instructions



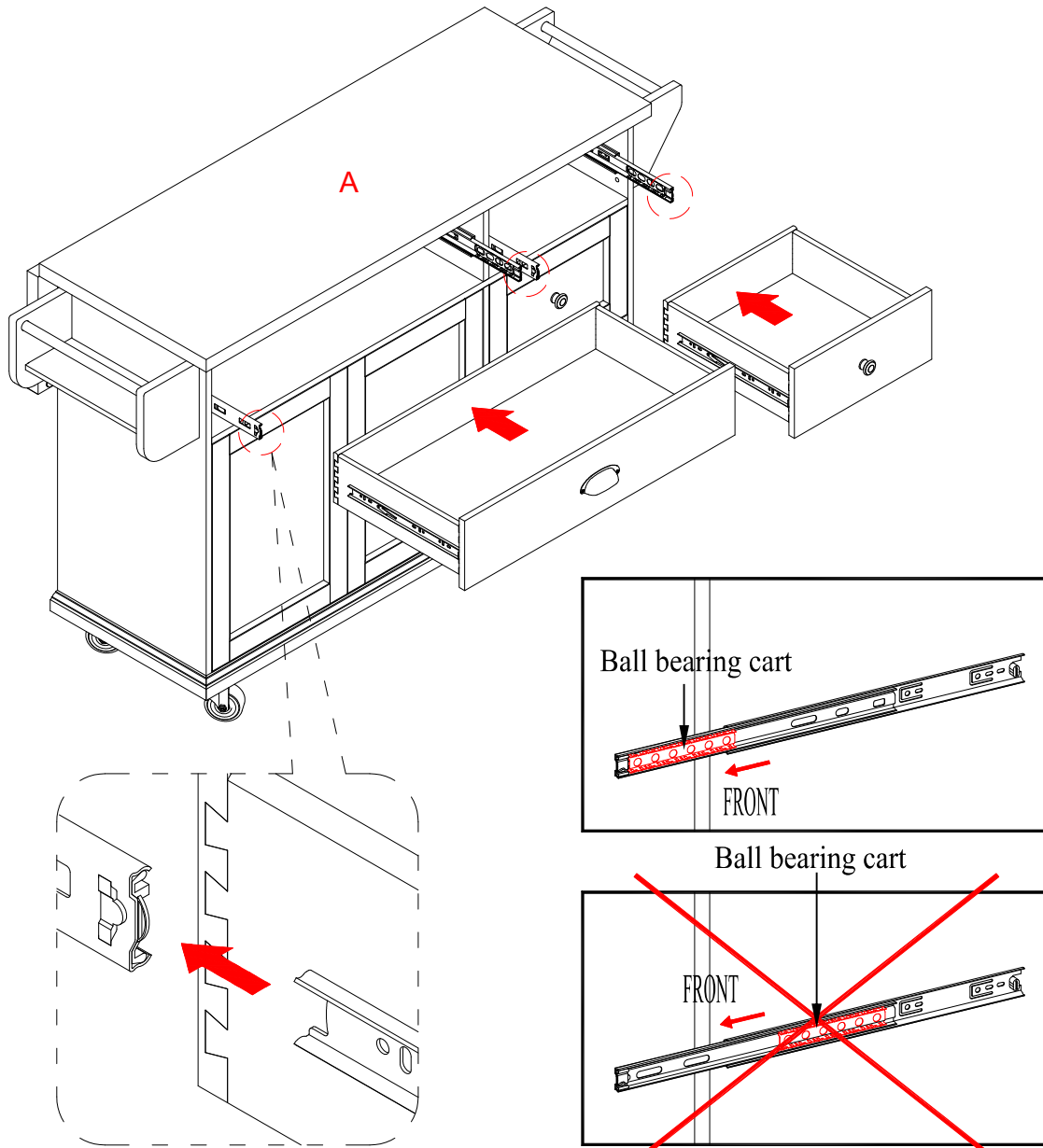
8. Insert one Metal Tube (H) between the Towel Bar Supports (E and F).
9. Using the inserted wood dowels as a guide, orient and attach the previous assembly to either side of the cabinet depending on your habits. The towel rack and spice rack are interchangeable.
10. Insert four 32 mm Bolts (1) with Lock Washers (2) and Flat Washers (3) from inside of the drawer box through the side panel and screw into the Towel Bar Supports (E and F). Tighten the bolts with the hex wrench provided.
11. You can hang your rags or kitchen towel on the Metal Tube (H) for a quick access. Also, the towel rack can be used as a handle for the convenience of pushing it.

Assembly Instructions



12. Attach both Spice Rack Panels (B and C) to the Rack Shelf (D) and the other Metal Tube (H) as shown.
13. Using the inserted wood dowels as a guide, orient and attach the assembled rack to the cabinet side panel with four 32 mm Bolts (1) and four Washers (2 and 3). Tighten the bolts with the hex wrench provided.
14. Spice rack on the side of the cart offers organization and a way to push the cart.

Assembly Instructions



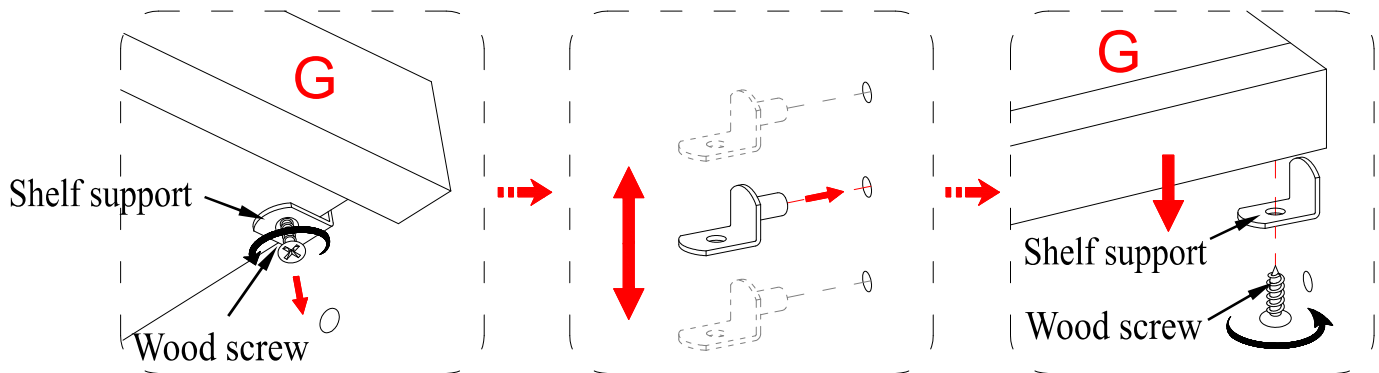
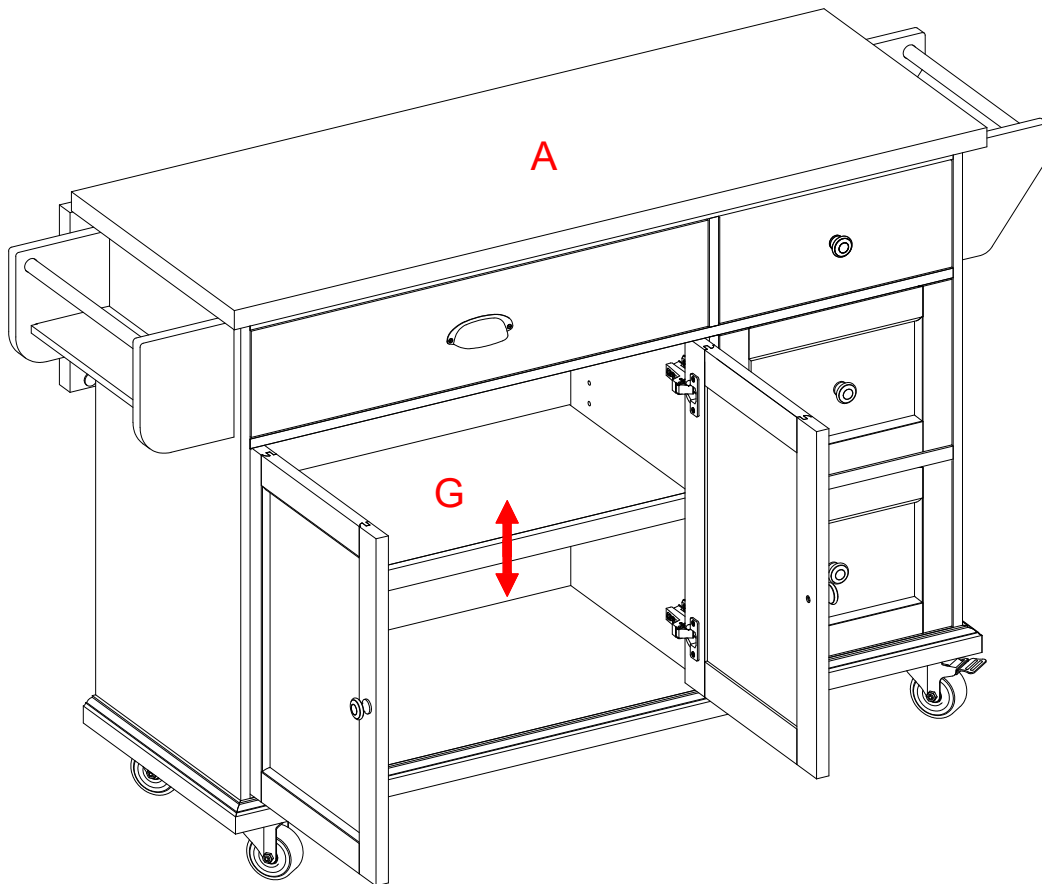
15. Place the drawer back by pushing the ball bearing cart all the way to the end of the slides (in both sides) and align the slide runners on the drawer with the slide tracks on the unit and push it carefully inside until it stops. If the drawer does not go in smoothly, please take it out and repeat the step.
16. Lock the Casters (I) at all times when not rolling the unit and particularly when opening the drawers.

CAUTION

Take Safety Precautions When Using Your Kitchen Storage!



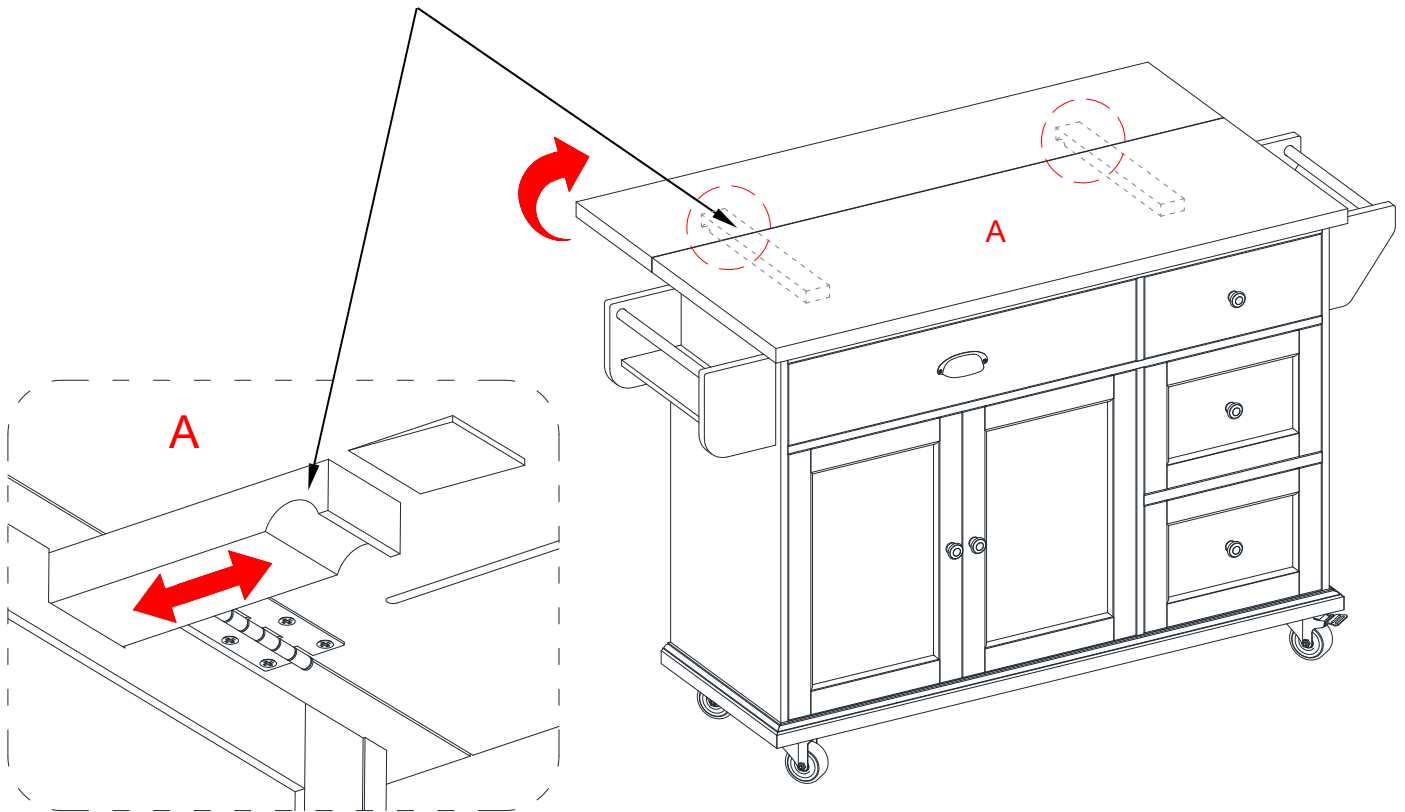
Assembly Instructions



17. The Adjustable Shelf (G) is pre-installed when shipping. If the shelf position is not to your liking, you will need to reposition the shelf by following the steps below.
- Look at the bottom view of Adjustable Shelf (G) and locate the Wood Screws holding the Shelf to the Shelf Supports.
 - Remove the Wood Screws from adjustable Shelf Supports with a Phillips screwdriver.
 - Remove the adjustable Shelf from the unit.
 - Remove the Shelf Supports from the unit and re-position them in the desired location. Make sure you place the Shelf Supports in the same level, so the Shelf is not tilted.
 - Place the adjustable Shelf (G) back onto the newly relocated Shelf Supports.
 - Using the Phillips screwdriver, reinstall the Wood Screws through the Shelf Supports and into the adjustable Shelf.

Assembly Instructions

Pull the support bars outward to extend the leaf
Push the support bars inward to fold the leaf



18. The countertop is accompanied with a drop leaf bar, you can expand it when you need more counter space or just easily drop it down to make it compact to maximize the space.

WARNING

- **DO NOT** use the kitchen cart as a seating surface.
- **DO NOT** place any type of electrical appliance on the unit.
- **DO NOT** place any pots or pans containing hot liquids on the unit.
- **DO NOT** place any item on the kitchen cart with dimensions exceeding those of the top panel.
- Before moving the kitchen cart remove all products off the top panel and make sure the casters are in the unlocked position.
- To prevent damage to the casters, gently lift the kitchen cart when sliding it over raised edges on the floor.
- After placing the kitchen cart in the desired location, lock the casters to prevent movement.
- Clean all fluids from the countertop to prevent stains. A damp cloth may be used occasionally to clean surface. Dry immediately.

Care and Maintenance

- Use a soft, clean cloth that will not scratch the surface when dusting.
- Use of furniture polishes is not necessary. Should you choose to use polishes, test first in an inconspicuous area.
- Using solvents of any kind on your furniture may damage the finish.
- Never use water to clean your furniture as it may cause damage to the finish.
- Always use coasters under beverage glasses and flowerpots.
- Liquid spills should be removed immediately. Using a soft, clean cloth, blot the spill gently. Avoid rubbing.
- Always use protective pads under hot dishes and plates. Heat can cause chemical changes that may create spotting within the furniture finish.
- Stains or marks from crayons or ink markers will be difficult to remove.
- In the event that your furniture is stained or otherwise damaged during use, we recommend that you call a professional to repair your furniture.
- Check bolts/screws periodically and tighten them if necessary.

Further Advice about Wood Furniture Care

It is best to keep your furniture in a climate-controlled environment. Extreme temperature and humidity changes can cause fading, warping, shrinking and splitting of wood. It is advised to keep furniture away from direct sunlight as sun may damage the finish.

Proper care and cleaning at home will extend the life of your purchase. Following these important and helpful tips will enhance your furniture as it ages.

We hope you enjoy your purchase for many years.
Thank you for your purchase!

QUALITY GUARANTEE

We are confident that you will be delighted with your Whalen Furniture purchase.

Should this product be defective in workmanship or materials or fail under normal use, we will repair or replace it for up to one (1) year from date of purchase. Every Whalen Furniture product is designed to meet your highest expectations. We guarantee that you will immediately see the value of our fine furniture.

This warranty gives you specific legal rights and you may also have other rights which vary from state to state or province to province.

Whalen Furniture Manufacturing
1578 Air Wing Road, San Diego, CA 92154, USA
Customer Service: 1-866-942-5362
8:30 a.m. - 4:30 p.m., PST, Monday to Friday
www.whalenfurniture.com