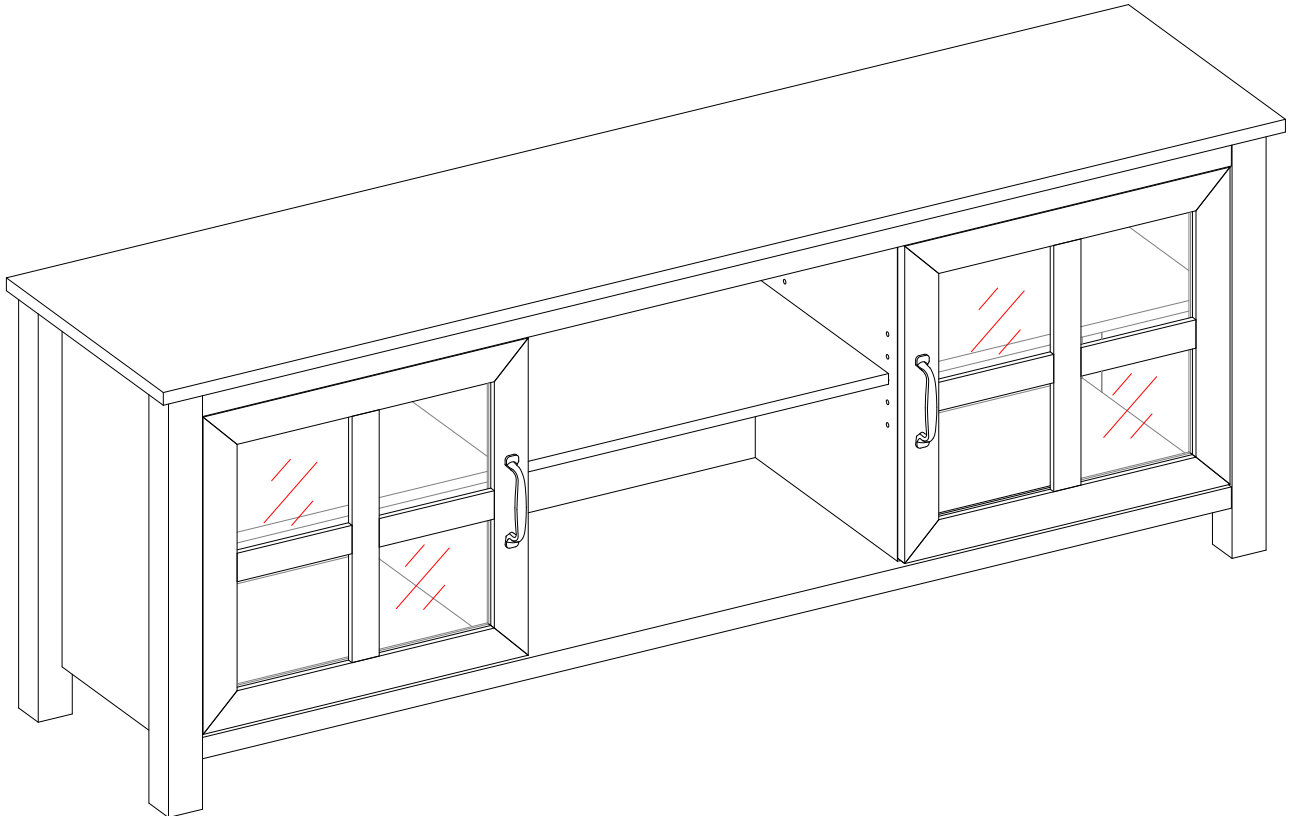




LOT NUMBER: _____
DATE PURCHASED: ___/___/___

Seymour TV Console

Model # BJAVCLSM-65



ADULT ASSEMBLY REQUIRED

If you have any questions regarding assembly or if parts are missing, DO NOT return this item to the store where it was purchased. Please call our toll-free customer service number and have your instructions and parts list ready to provide the model name, part name or factory number:

1-866-942-5362

Pacific Standard Time: 8:30 a.m. - 4:30 p.m., Monday to Friday

Or visit our website 24 hours a day, 7 days a week for product assistance at

www.whalenfurniture.com

Or e-mail your request to **parts@whalenfurniture.com**

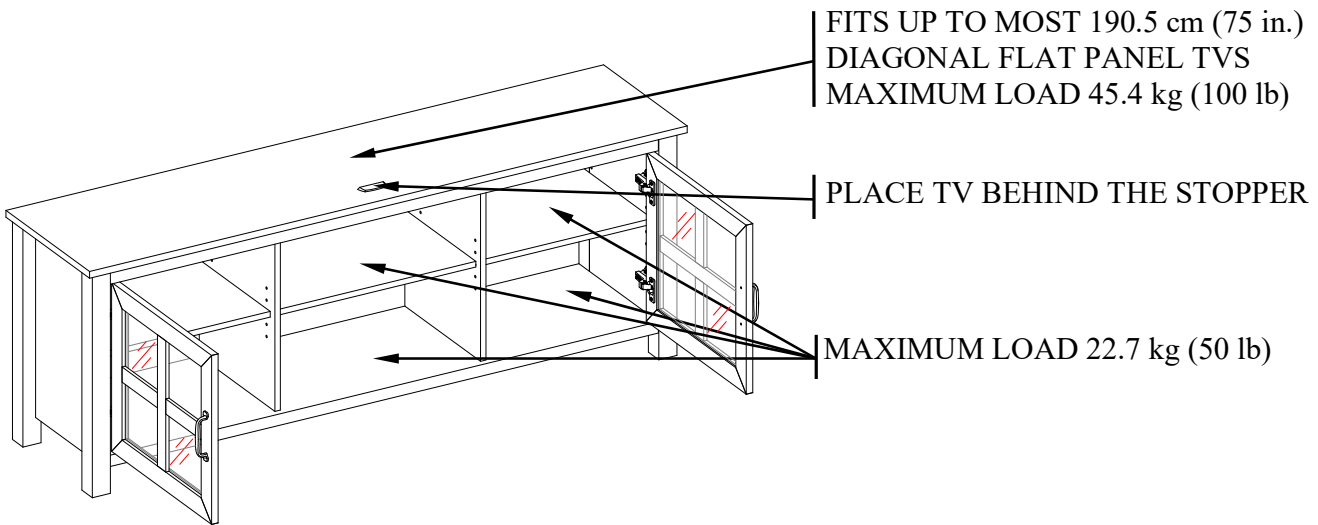
**THIS INSTRUCTION BOOKLET CONTAINS IMPORTANT SAFETY INFORMATION.
PLEASE READ AND KEEP FOR FUTURE REFERENCE.**

Date 2020-07-15

Rev. 0001-A

MAXIMUM RECOMMENDED WEIGHT LOADS

MANUFACTURER: Whalen Furniture Manufacturing
CATALOG: Seymour TV Console
MODEL # BJA VCLSM-65

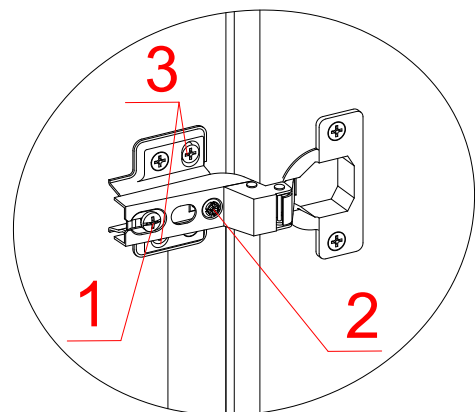


WARNING THIS UNIT IS NOT INTENDED FOR USE WITH CRT TVS. USE ONLY WITH FLAT PANEL TVS AND AUDIO/VIDEO EQUIPMENT MEETING RECOMMENDED SIZE AND WEIGHT LIMITS. NEVER USE WITH LARGER/HEAVIER THAN RECOMMENDED FLAT PANEL TVS OR EQUIPMENT. TO AVOID INSTABILITY, PLACE FLAT PANEL TV IN THE CENTER OF THE UNIT; THE BASE OF THE TELEVISION MUST BE ABLE TO REST ON THE SUPPORTING SURFACE OF THE UNIT WITHOUT OVER-HANGING THE EDGES. IMPROPERLY POSITIONED FLAT PANEL TVS, OR FLAT PANEL TVS INCLUDING OTHER EQUIPMENT THAT EXCEED RECOMMENDED SIZE AND WEIGHT LIMITS COULD FALL OFF OR BREAK THE UNIT, CAUSING POSSIBLE SERIOUS INJURY. FOR USE WITH TELEVISIONS WEIGHING 100 LBS (45.4 KG) OR LESS. USE WITH HEAVIER TELEVISIONS MAY RESULT IN INSTABILITY CAUSING TIP OVER RESULTING IN DEATH OR SERIOUS INJURY.

How to adjust the European adjustable hinges on doors

Shipping may cause doors to go out of alignment. If you find that the doors need to be adjusted slightly, turn the appropriate screw, as illustrated.

1. TO ADJUST DOOR FORWARD OR BACKWARD.
2. TO ADJUST DOOR TO RIGHT OR TO LEFT.
3. TO ADJUST DOOR UP OR DOWN.

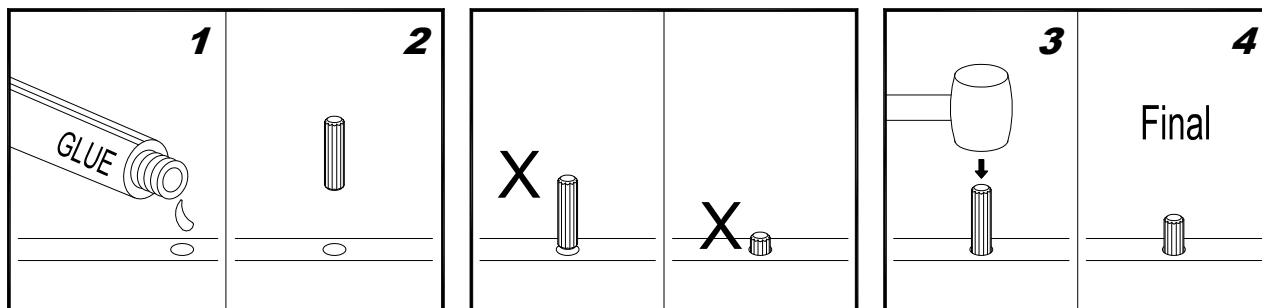


IMPORTANT

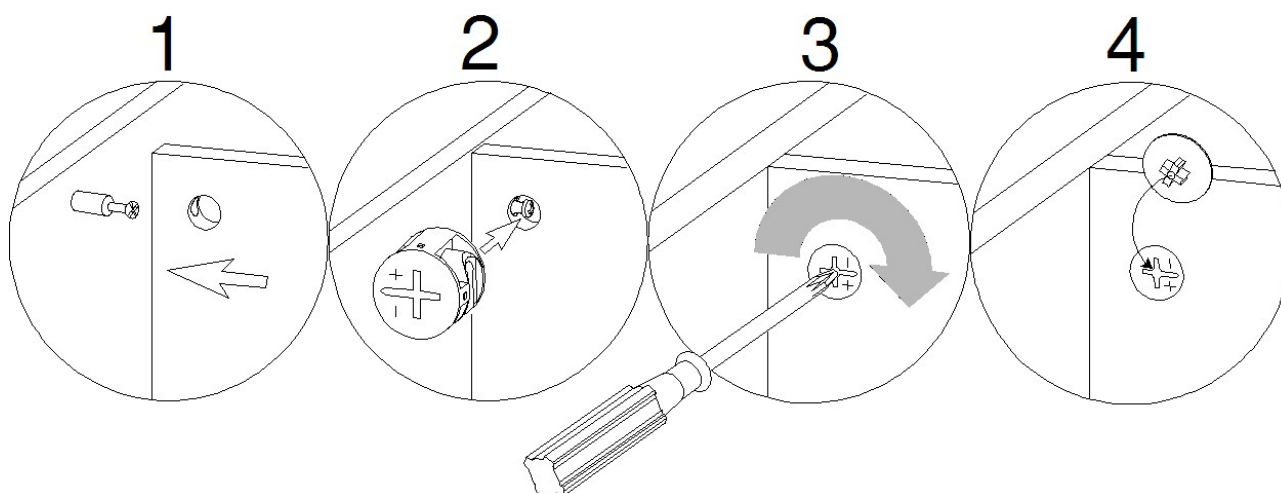
Before you begin: Open, identify and count all parts prior to assembly. Lay out parts on a flat and non-abrasive surface. You will need the parts identified on page 3 and 4 of this instruction manuals.

NOTE: IT IS VERY IMPORTANT TO USE GLUE WITH THE DOWELS. EXCESS GLUE CAN BE WIPED OFF WITH A DAMP CLOTH.

Insert Dowel at least half way by tapping lightly with a rubber mallet (not included), IF NECESSARY.



CAM LOCK SYSTEM OPERATION



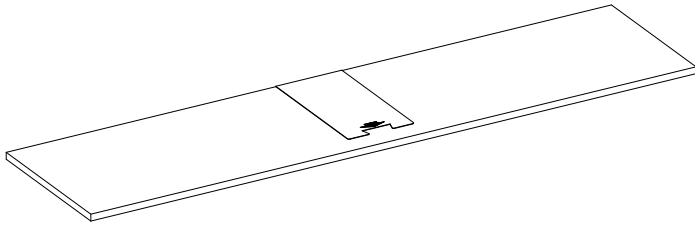
HOW THE KNOCK DOWN (KD) ASSEMBLY SYSTEM WORKS

1. Screw the Cam Bolt into the pre-drilled small holes on the panel. Connect both panels together; making sure the Cam Bolt goes into the pre-drilled hole at the end of the panel with the Cam Lock.
2. Insert the Cam Lock into the pre-drilled large hole in the panel. Make sure the arrow on the Cam Lock is pointed towards the Cam Bolt.
3. Once the Cam Bolt is connected inside the Cam Lock, take a Phillips screwdriver (not included) and tighten the Cam Lock clockwise.
4. Plug the Cam Lock Cover into the cross slot of the Cam Locks to conceal the cam.

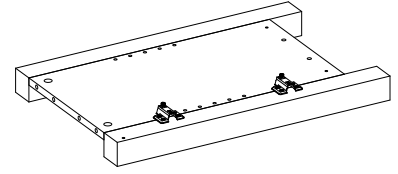
You are now ready to assemble the KD unit.

Parts and Hardware List

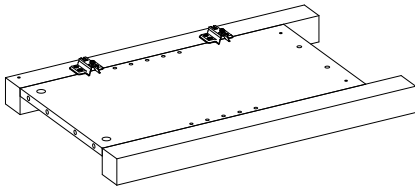
Please read completely through the instructions and verify that all listed parts and hardware are present before beginning assembly.



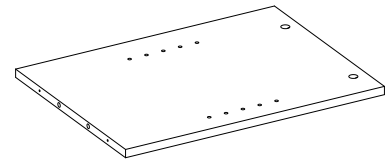
A- Top Panel (Qty. 1)



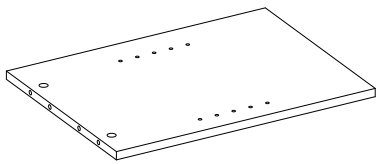
B- Left Side Frame (Qty. 1)



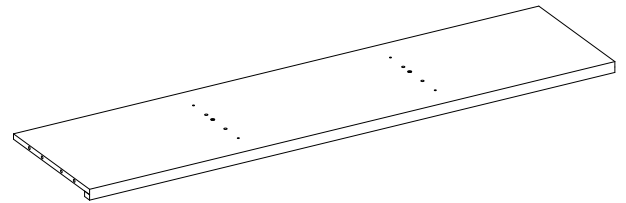
C- Right Side Frame (Qty. 1)



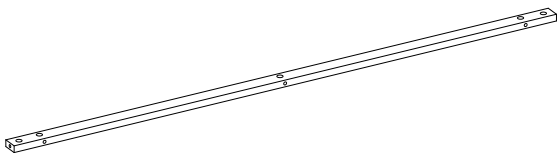
D- Left Partition Panel (Qty. 1)



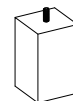
E- Right Partition Panel (Qty. 1)



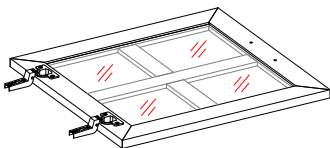
F- Bottom Panel (Qty. 1)



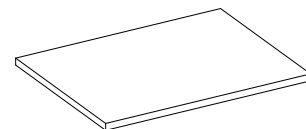
G- Top Front Stretcher (Qty. 1)



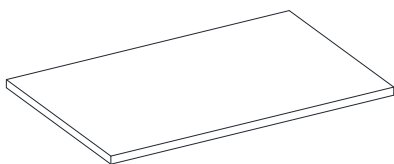
H- Center Support (Qty. 2)



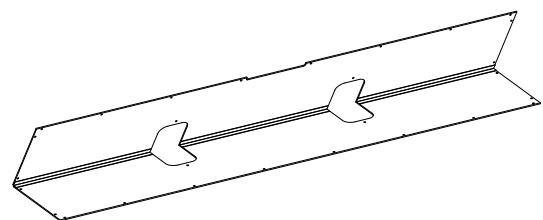
I- Door (Qty. 2)



J- Small Shelf (Qty. 2)



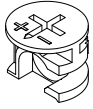
K- Large Shelf (Qty. 1)



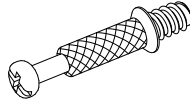
L- Back Panel (Qty. 1)

Parts and Hardware List

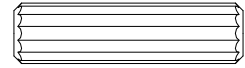
Please read completely through the instructions and verify that all listed parts and hardware are present before beginning assembly



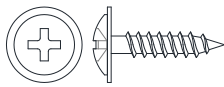
(1) Cam Lock
(Qty. 17+1 extra)



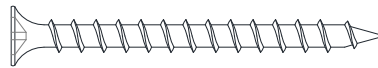
(2) Cam Bolt
(Qty. 17+1 extra)



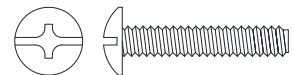
(3) M8 x 30 mm Wood Dowel
(Qty. 18+1 extra)



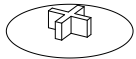
(4) M3.5 x 15 mm Washer Head Screw
(Qty. 28+1 extra)



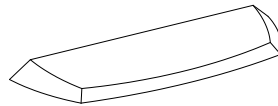
(5) M4 x 50 mm Screw
(Qty. 4+1 extra)



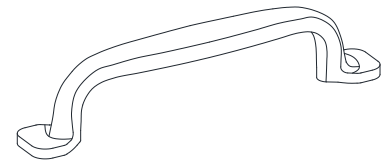
(6) 5/32" x 22 mm Handle Bolt
(Qty. 4+1 extra)



(7) Cam Lock Cover
(Qty. 8+1 extra)



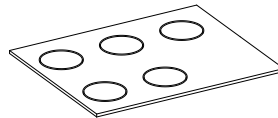
(8) Acrylic Stopper
(Qty. 1)



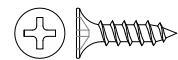
(9) Handle
(Qty. 2)



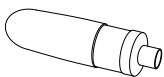
(10) Shelf Support
(Qty. 12+1 extra)



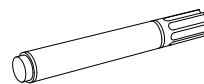
(11) Rubber Bumper
(Qty. 4+1 extra)



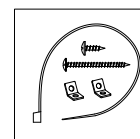
(12) M3.5 x 12 mm Screw
(Qty. 12+1 extra)



Glue
(Qty. 1)



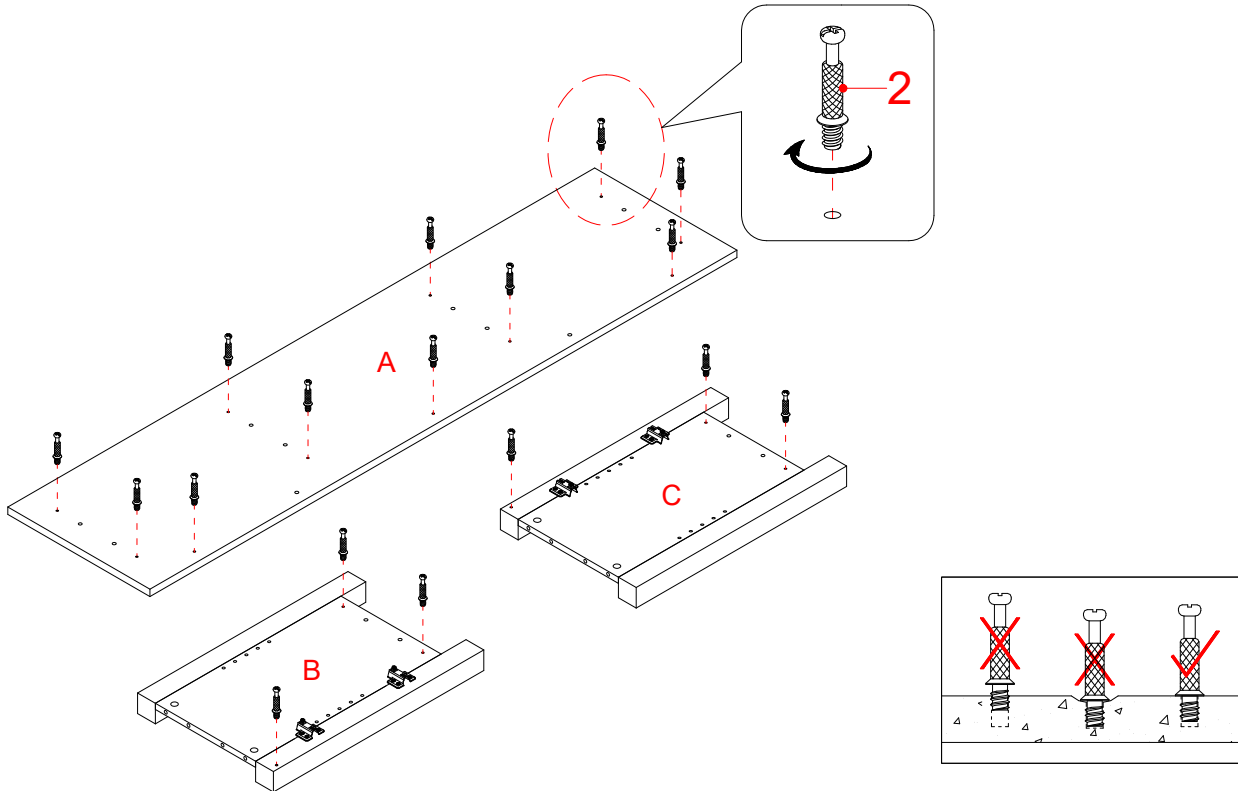
Touch-up Pen
(Qty. 1)



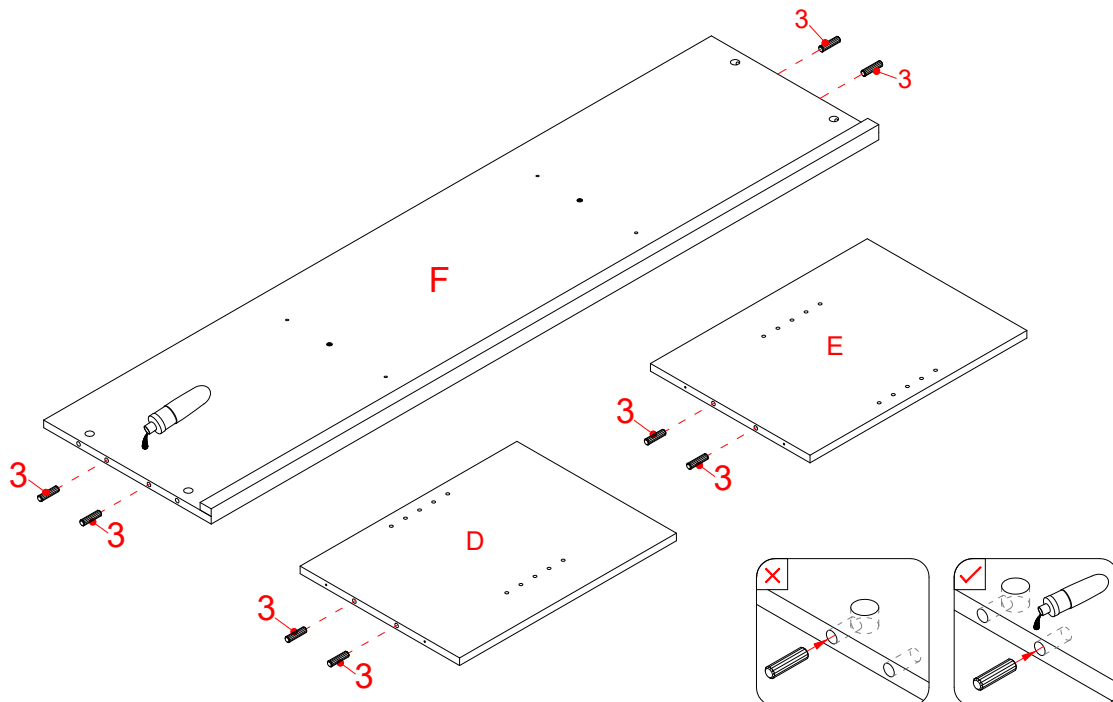
Tipping Restraint Hardware Kit (Qty. 2)
(Included in plastic bag)

Tools required (not included): Phillips screwdriver, stud finder, power drill, pencil, tape measure, and 3 mm/0.1 drill bit.

Assembly Instructions

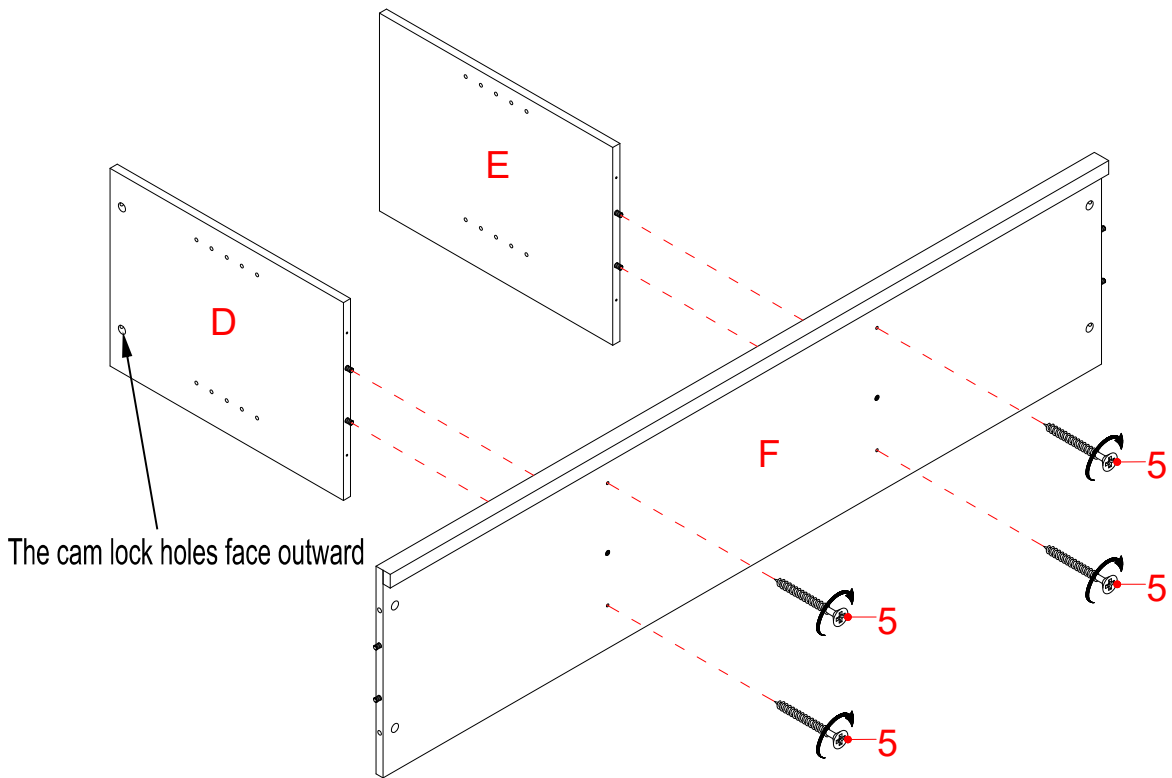


1. Unpack the unit and confirm that you have all the hardware and required parts. Assemble the unit on a carpeted floor or the empty carton to avoid any scratch.
2. Securely screw the Cam Bolts (2) into the designated small holes on the Top Panel (A) and both Side Frames (B and C) with a Phillips screwdriver. **NOTE:** DO NOT over tighten the cam bolts.

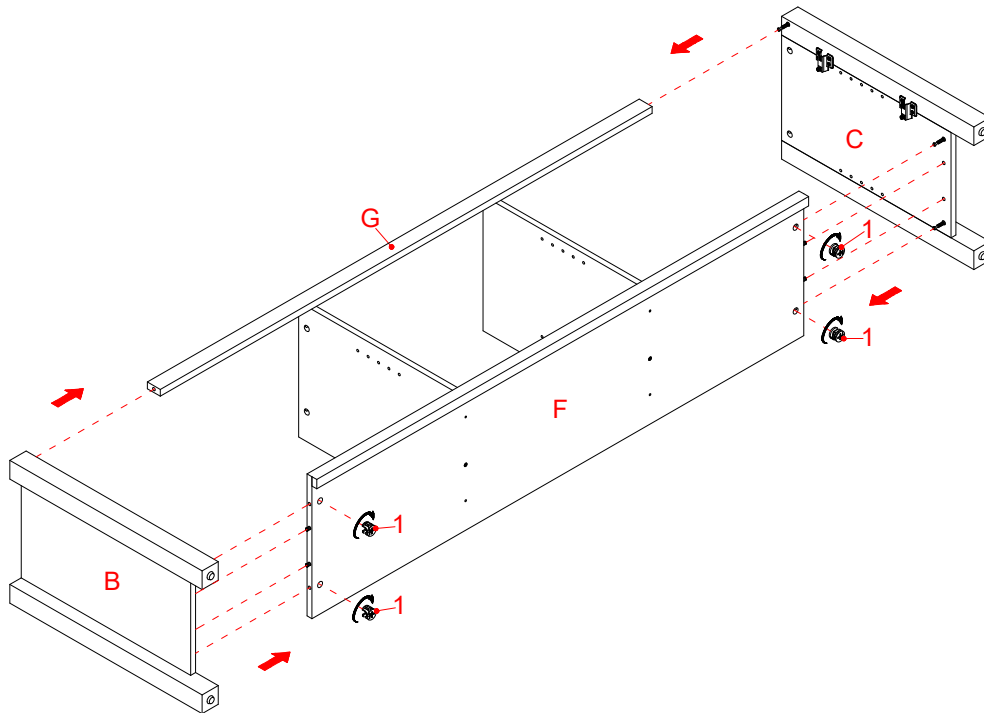


3. Glue the Wood Dowels (3) into the side holes of the Panels (D, E and F).

Assembly Instructions

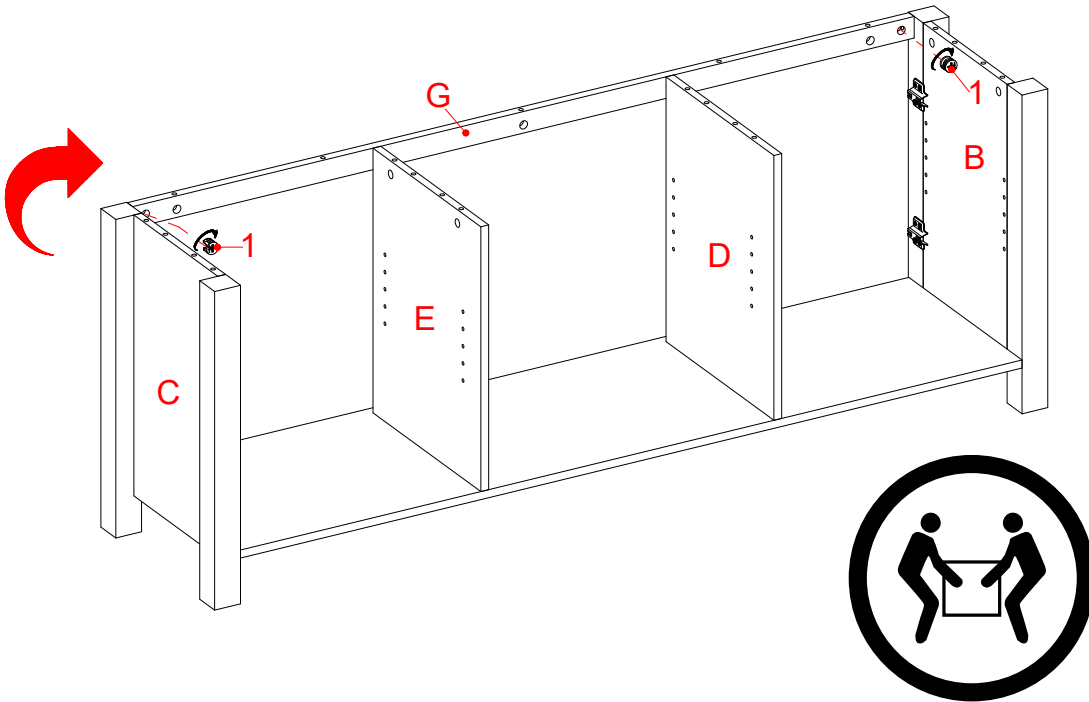


- Using the wood dowels as a guide, attach the Partition Panels (D and E) to the Bottom Panel (F) and fasten them in place with four 50 mm Screws (5). Fully tighten the screws with a Phillips screwdriver.

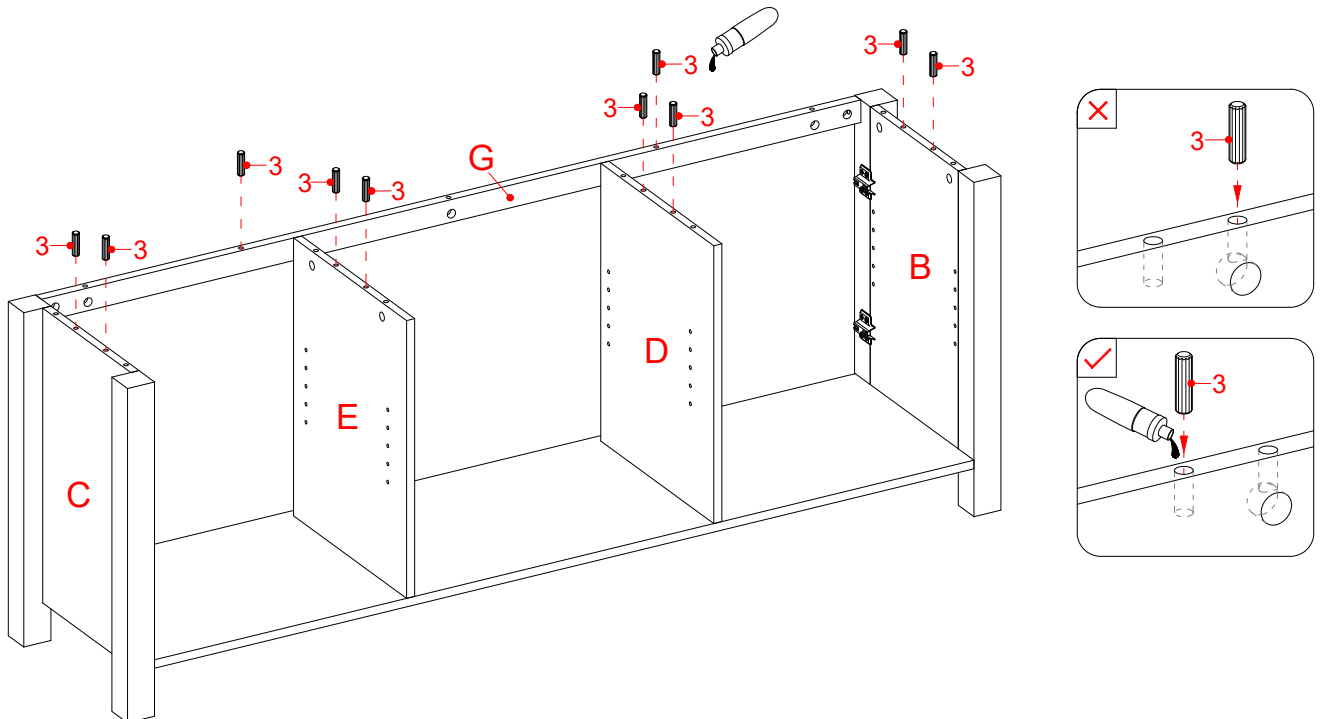


- Attach the Side Frames (B and C) to the Bottom Panel (F) and Top Front Stretcher (G). Attach the Side Frames (B and C) into place by engaging the Cam Locks (1).

Assembly Instructions

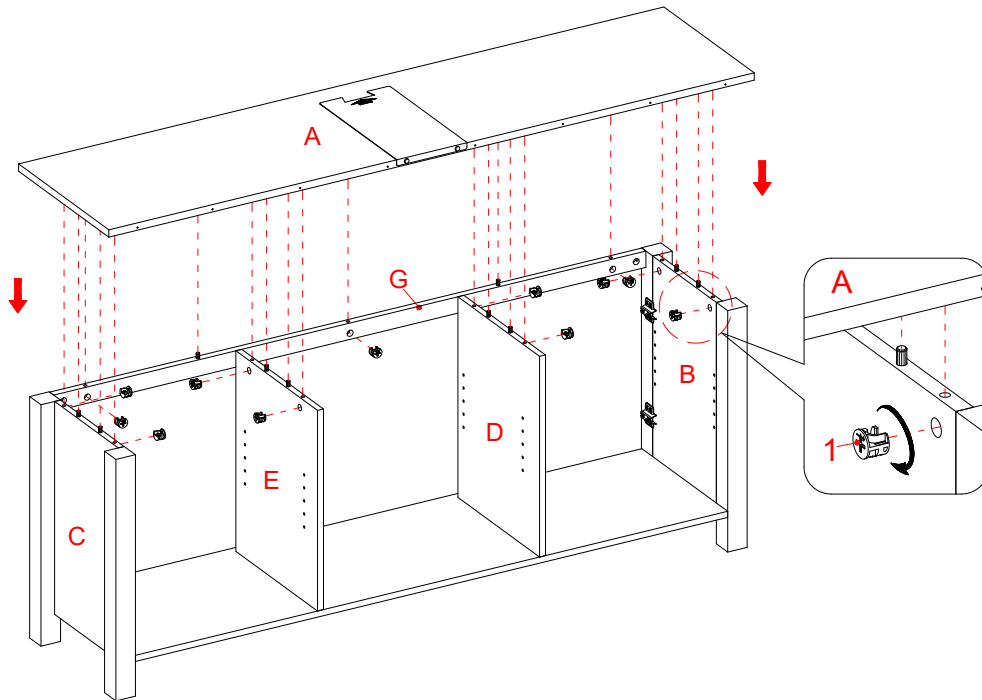


6. Ask for assistance to lift the assembly upright and proceed to fasten the Top Front Stretcher (G) to both Side Frames (B and C) by engaging two Cam Locks (1).

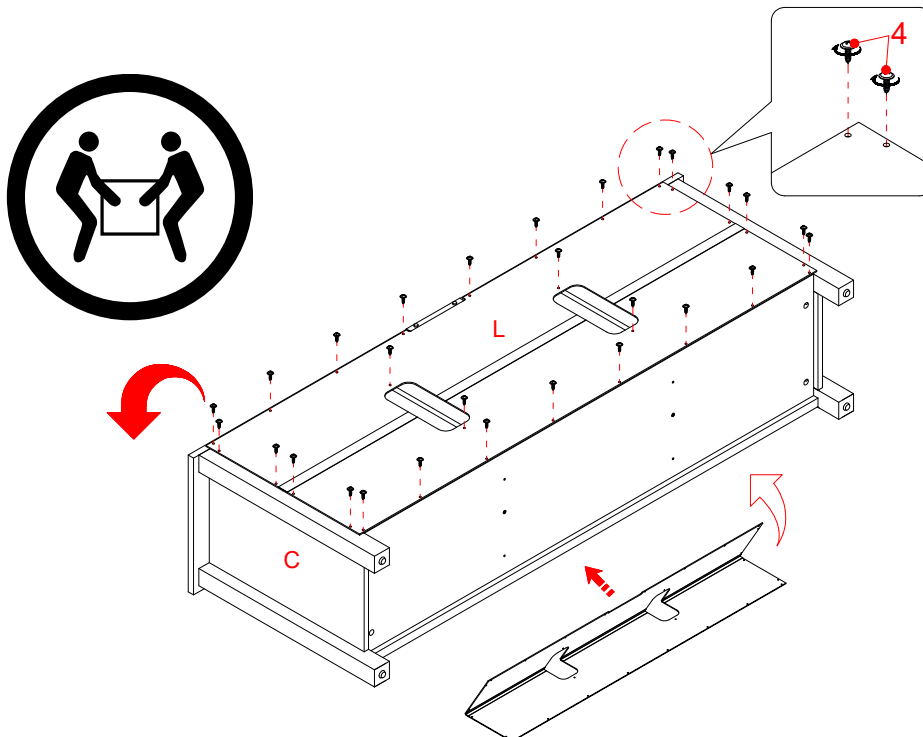


7. Glue the Wood Dowers (3) into the top inner holes of the unit. **DO NOT** inert the wood dowels into the cam lock holes.

Assembly Instructions



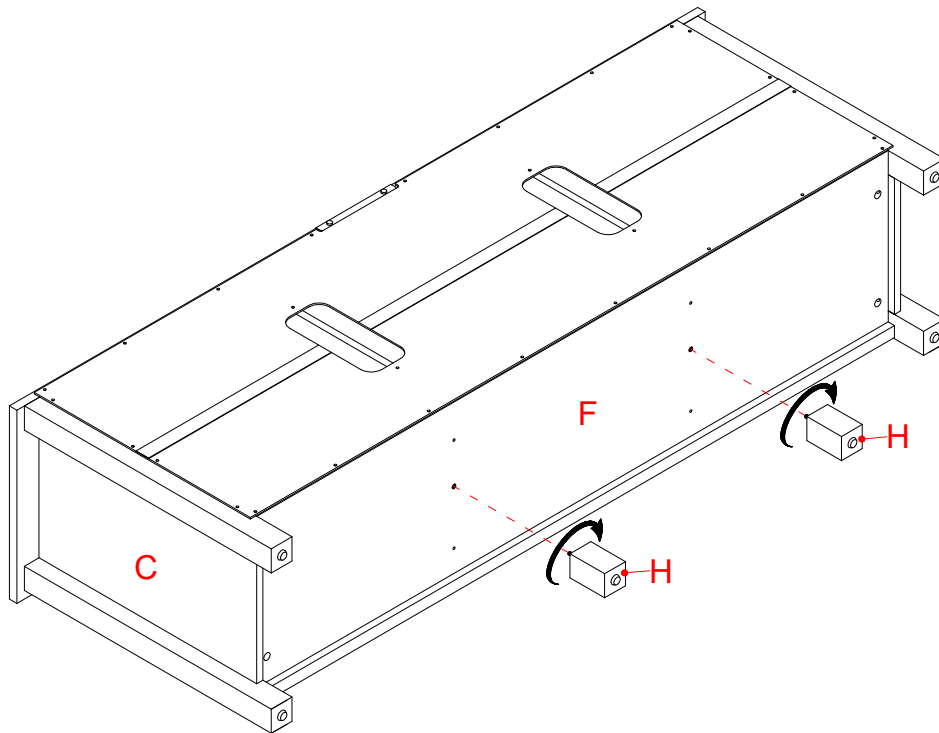
8. Place the Top Panel (A) onto the inserted Wood Dowel (3) making sure the back edges are even with each panels. Attach the Top Panel (A) in place by engaging the Cam Locks (1).



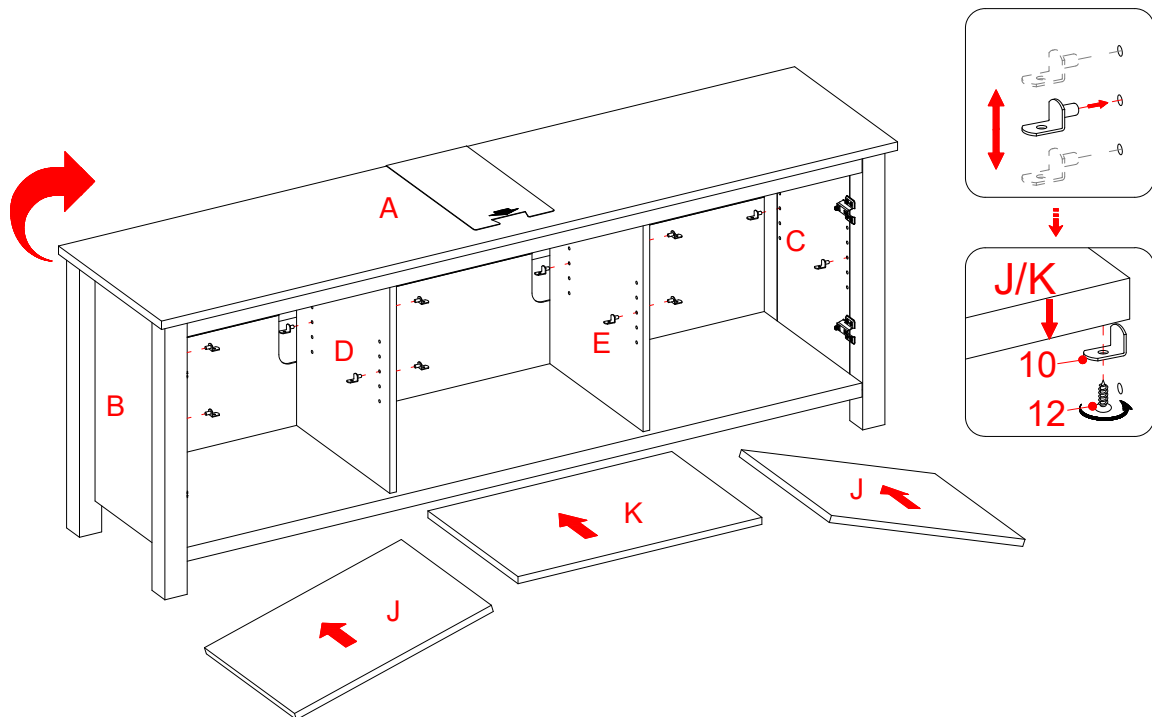
9. Now, go back and tighten all cam locks. Make sure that all the parts are tight and there are no gaps between the pieces. This will help keep the unit square. Ask for assistance to lay down the unit at its front edge as shown.
10. Unfold the Back Panel (L) and lay it to the back edges of the assembled unit so that the drilled holes on the Back Panel overlap the pilot holes on the Top Panel (A) properly. Fasten the Back Panel (L) into place with the provided Washer Head Screws (4).

NOTE: We recommend attaching back panel with the washer head screws at the corners first.

Assembly Instructions



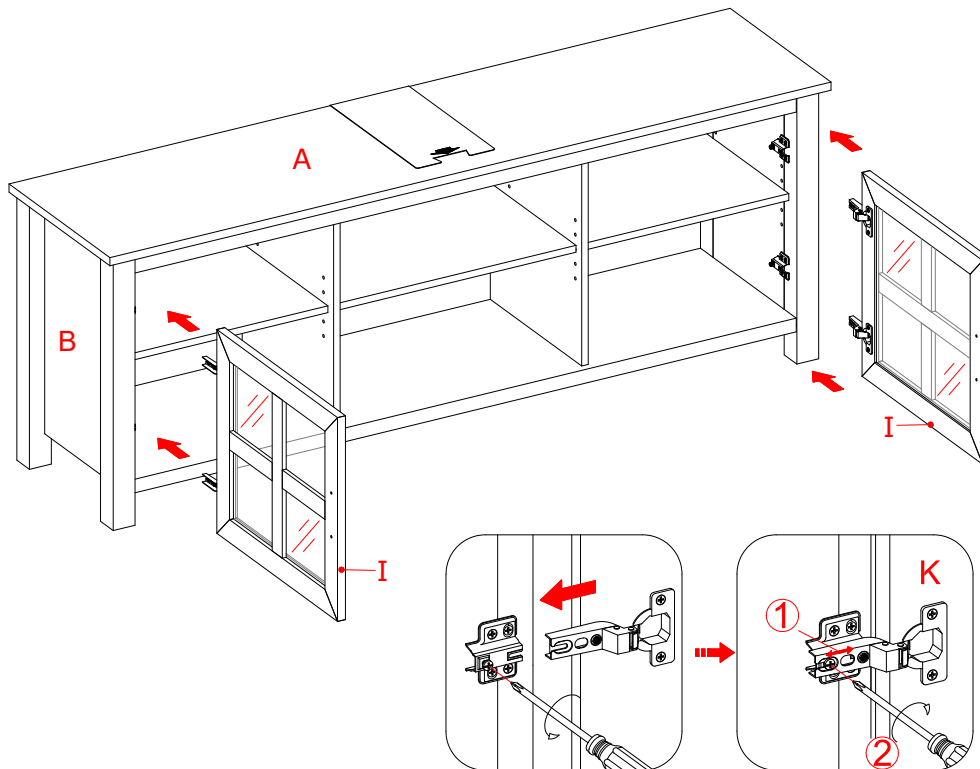
11. Securely screw two Center Supports (H) into the threaded inserts on the Bottom Panel (F).



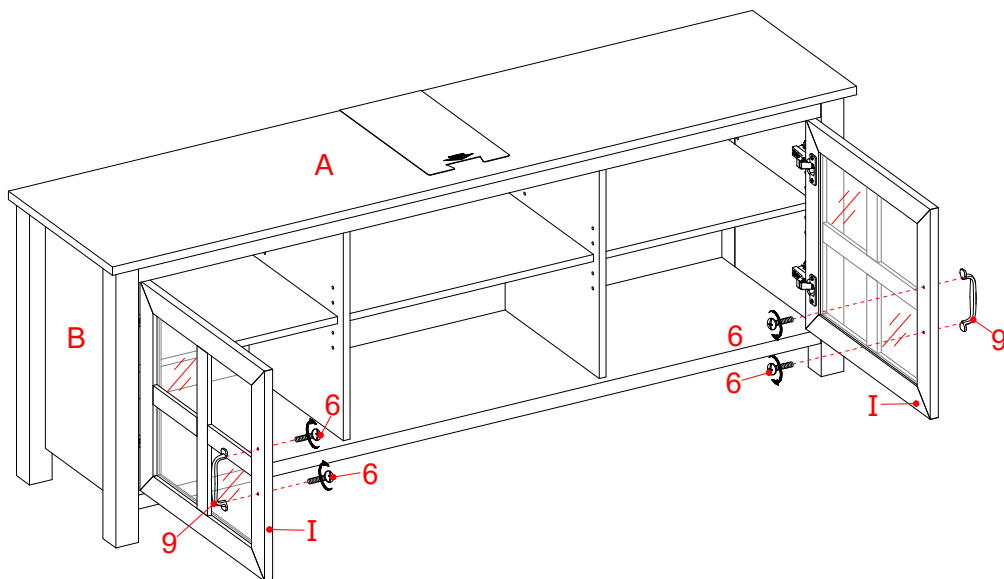
12. Ask for assistance to lift the assembly unit upright.

13. Insert the Shelf Supports (10) into the desired holes in the sides of each compartment. Make sure you place the four Shelf Supports (10) in the same level so the shelf is not tilted. Tilt and set the Adjustable Shelves (J and K) onto the Shelf Supports (10). Secure the shelves in place with the 12 mm Screws (12) for extra support.

Assembly Instructions

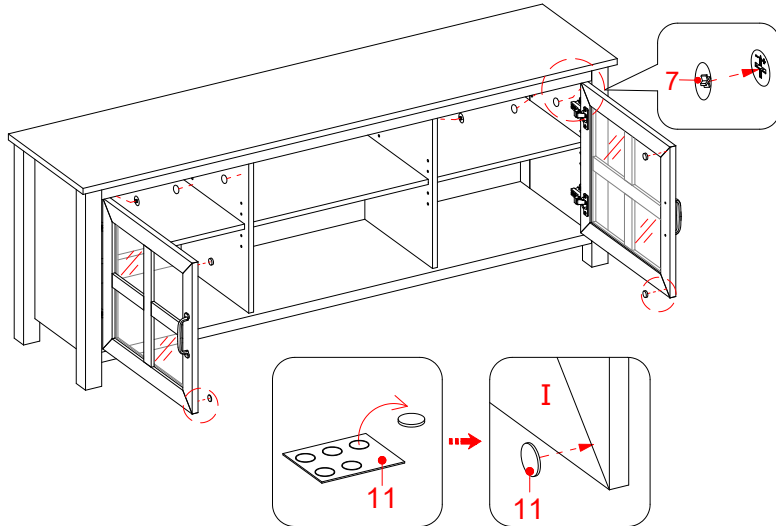


14. Pick up one Door (I) and attach the extended hinge arms to the hinge bases installed on the Left Side Frame (B). Loosen the bolt on the back of hinge base for an easy fit. Align and insert the “U” slot on hinge arm under the bolt head on the back of hinge base. Make sure that both door hinges engage and function properly. Tighten the bolt on the hinge base to lock the hinges in place.
15. Repeat the same procedure to install the other Door (I) to the Right Side Frame (C).
16. Open and close the doors to make sure they are aligned and shut correctly. If necessary, adjust the screws for a good fit. Refer to the hinge sticker on door frame for adjustment.

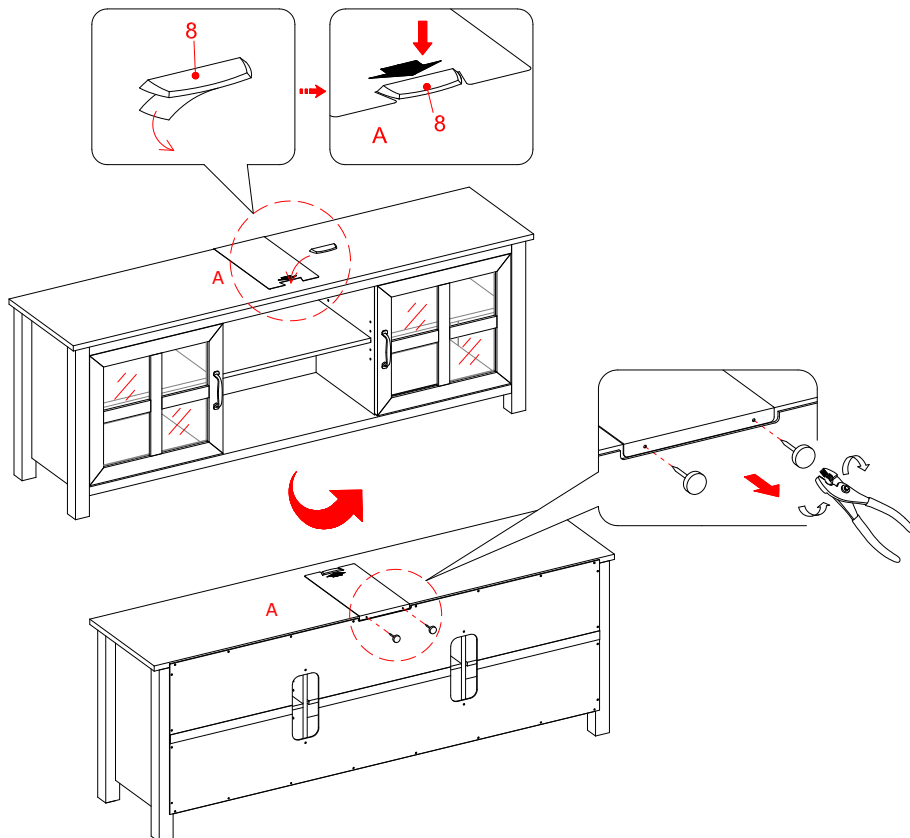


17. Open the doors and attach one Handle (9) to the front side of each Door (I) with provided Handle Bolts (6).

Assembly Instructions



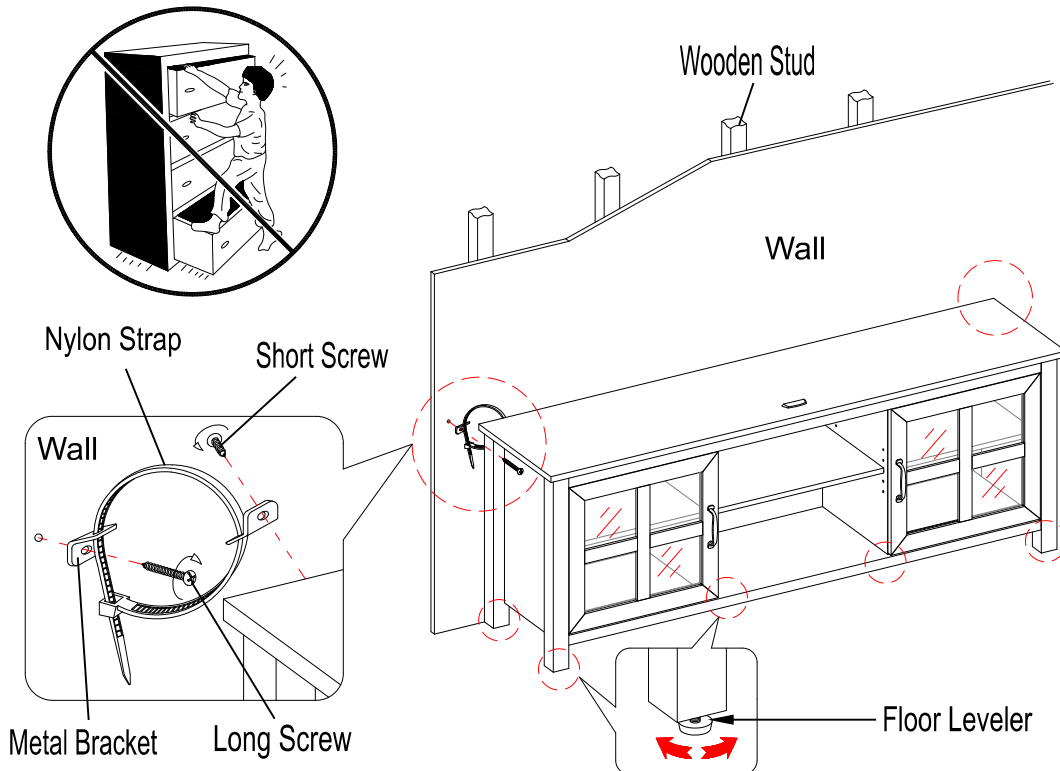
18. Stick the Rubber Bumpers (11) at the outer corners of both Doors (I) where they meet the Partition Panels (D and E).
19. Plug Cam Lock Covers (7) onto the visible Cam Locks to conceal the cams.



NOTE: To prevent your TV from tipping, you must follow these instructions if you place a TV on top of your console. Otherwise, skip to “Step 21”.

20. Remove the paper backing from the Acrylic Stopper (8), then properly align the Acrylic Stopper into the cut-out on the acrylic stopper template on the Top Panel (A). Press down on the acrylic stopper to help adhesion.
21. At the back of Top Panel (A), grip the head of plastic tack with pliers, with twisting motion pull tack loose to remove the acrylic stopper template.

Assembly Instructions



Tools required: Phillips screwdriver, stud finder, pencil, tape measure, power drill and 1/8" drill bit.

22. Ask for assistance to position the assemble TV stand at the desired location against a wall. If necessary, adjust the pre-attached floor levelers at the bottom of the Side Frames (B and C) and Center Supports (H) to correct the tilt and level the doors.
23. Follow the instructions printed on the plastic bag containing the Tipping Restraint Hardware to attach the tip-over restraints to the unit and the wall.

NOTE: The tipping restraint hardware included is for wooden stud wall construction. It must be attached to a wall stud. Depending upon your wall construction, different anchor hardware maybe required. Please contact your local hardware store for assistance. Young children can be seriously injured by tipping furniture. You must install the Tipping Restraint Hardware with the unit to prevent the unit from tipping, causing any accidents or damage. The tipping restraints are intended only as a deterrent, they are not a substitute for proper adult supervision. The tipping restraints are not earthquake restraints. If you wish to add the extra security of earthquake restraints, they must be purchased and installed separately.

⚠ WARNING	
	<p>Children have died from furniture tip-over. To reduce the risk of furniture tip-over:</p> <ul style="list-style-type: none"> • ALWAYS install tip-over restraint provided. • FOR use with televisions weighing 100 lbs or less. Use with heavier televisions may result in instability causing tip-over resulting in death or serious injury. • NEVER allow children to stand, climb or hang on drawers, doors, or shelves. • NEVER open more than one drawer at a time. • Place heaviest items in the lowest drawers. <p>Use of tip-over restraints may only reduce, but not eliminate, the risk of tip-over.</p>

Care and Maintenance

- Use a soft, clean cloth that will not scratch the surface when dusting.
- Use of furniture polishes is not necessary. Should you choose to use polishes, test first in an inconspicuous area.
- Using solvents of any kind on your furniture may damage the finish.
- Never use water to clean your furniture as it may cause damage to the finish.
- Always use coasters under beverage glasses and flowerpots.
- Liquid spills should be removed immediately. Using a soft, clean cloth, blot the spill gently. Avoid rubbing.
- Always use protective pads under hot dishes and plates. Heat can cause chemical changes that may create spotting within the furniture finish.
- In the event that your furniture is stained or otherwise damaged during use, we recommend that you call a professional to repair your furniture.
- Check bolts/screws periodically and tighten them if necessary.

Further advice about wood furniture care

It is best to keep your furniture in a climate-controlled environment. Extreme temperature and humidity changes can cause fading, warping, shrinking and splitting of wood. It is advised to keep furniture away from direct sunlight as sun may damage the finish.

Proper care and cleaning at home will extend the life of your purchase. Following these important and helpful tips will enhance your furniture as it ages.

A touch-up pen has been provided to minimize the small nicks or scratches that may occur during assembly or shipping.

We hope you enjoy your purchase for many years.
Thank you for your purchase!

QUALITY GUARANTEE

We are confident that you will be delighted with your Whalen Furniture purchase.

Should this product be defective in workmanship or materials or fail under normal use, we will repair or replace it for up to one (1) year from date of purchase. Every Whalen Furniture product is designed to meet your highest expectations. We guarantee that you will immediately see the value of our fine furniture.

This warranty gives you specific legal rights and you may also have other rights which vary from State to State.

Whalen Furniture Manufacturing,
1578 Air Wing Road
San Diego CA, 92154 USA
Customer Service: 1-866-942-5362
8:30 a.m. - 4:30 p.m., PST, Monday to Friday
www.whalenfurniture.com