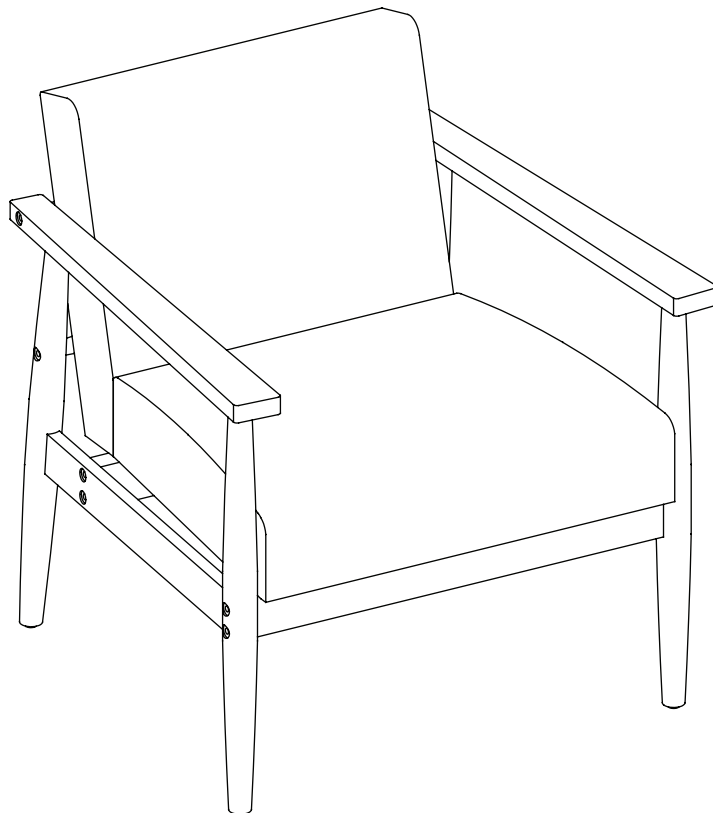


# CANVAS<sup>TM/MC</sup>

## HOLLISTON ACCENT CHAIR

---

PRODUCT NO. 168-0145-8



### ASSEMBLY INSTRUCTIONS



**HAVING TROUBLE?**

**TOLL-FREE:**

**1-888-670-6684**

**IMPORTANT:** Please read this manual carefully before beginning assembly of this product. Keep this manual for future reference.

# CANVAS™

INSPIRED BY CANADA



We believe in the power of décor and its ability to make up the fabric of your home.

That's why **CANVAS™** collections draw **inspiration from Canadians and the way they live.**

From on-trend furniture pieces to holiday décor and all your outdoor living essentials, **CANVAS™** makes it easy to refresh your space to reflect **your unique style and the way you live every day.**

We would love to hear from you and welcome your thoughtful feedback. Visit our website at **canadiantire.ca** to tell us about your experience, and share your photos with us using **#myCANVASstyle.**

Show us how you bring **CANVAS™** products to life. We can't wait to see!

## TABLE OF CONTENTS

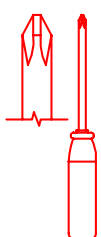
Parts List .....	4
Before You Begin Assembly .....	7
Step-by-step Guide .....	8
Technical Data .....	13
Troubleshooting .....	14
Caring for Your Item .....	14
Warranty .....	15



**WARNING! TO REDUCE THE RISK OF SERIOUS INJURY, READ THE FOLLOWING SAFETY INSTRUCTIONS BEFORE ASSEMBLING AND USING THE PRODUCT.**

- Please read and understand this entire manual before attempting to assemble, operate, or install the product.
- Any assembly or maintenance of the product must be carried out by adults only.
- Some parts may contain sharp edges. Wear protective gloves if necessary.
- To prevent damage, place all parts on a level surface during assembly. Add a layer of protective surface if needed.
- Do not allow your children to climb or jump on furniture due to possible accident, injury or death. A child climbing on a piece of furniture can make it top-heavy and cause the furniture to tip over.
- Keep children and pets away during assembly.
- Repairing and replacing parts should be done by a qualified technician.
- Do not stand or step on this chair.
- Do not sit on the front edge of the chair.
- Do not seat more than one person at a time.
- Do not exceed the maximum load capacity of 136 kg (300 pounds).
- This unit is intended for use only within the maximum weight indicated. Use with loads heavier than the maximum weight indicated may result in instability, causing possible injury.

## TOOLS REQUIRED

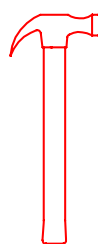


No. 2 Phillips Screwdriver

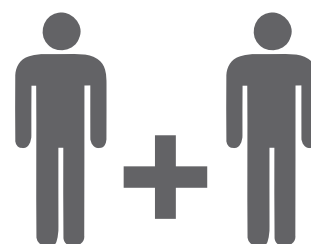


**NOTE:**

Do not over drill/Be aware of over-drilling

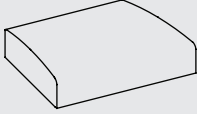
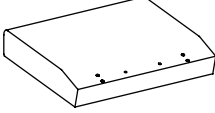
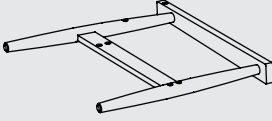
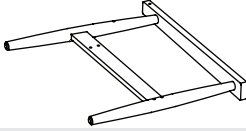

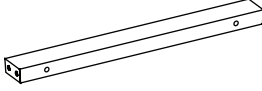
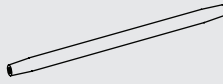
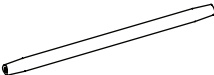


Hammer

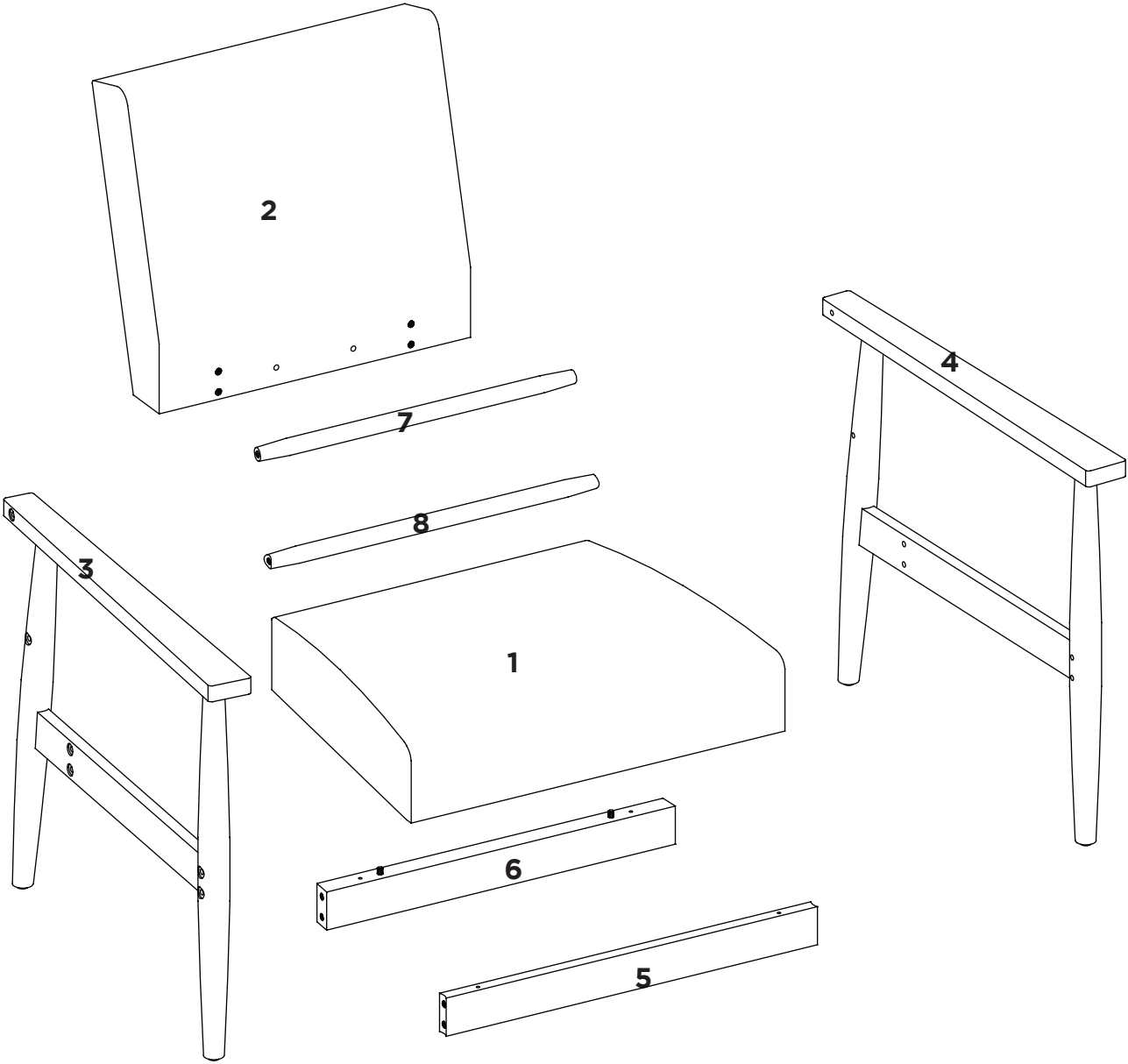


2 People

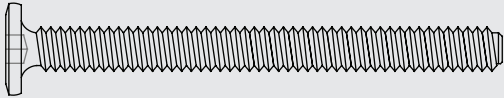
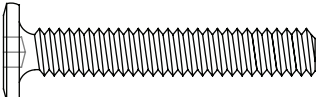

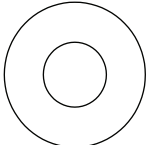
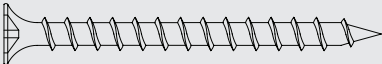
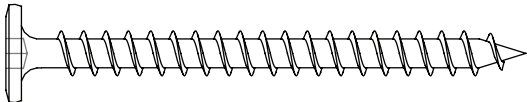
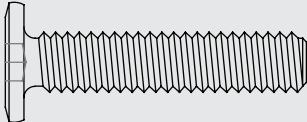
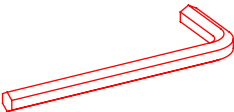

## PARTS LIST

ITEM	DESCRIPTION	THUMBNAIL	QUANTITY
1	Seat Cushion		1
2	Backrest		1
3	Left Side Frame		1
4	Right Side Frame		1
5	Front Stretcher		1
6	Middle Stretcher		1
7	Back Upper Stretcher		1
8	Back Middle Stretcher		1

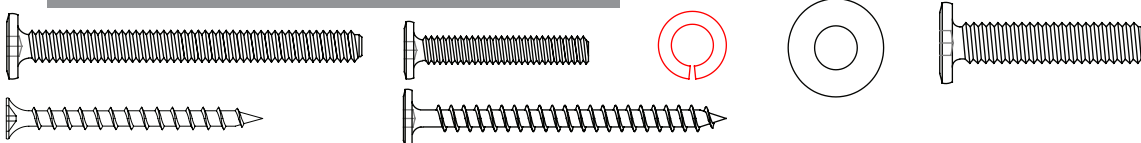
EXPLODED PARTS



## HARDWARE LIST

ITEM	DESCRIPTION	THUMBNAIL	QUANTITY
A	Bolt 1/4" x 63 mm		4
B	Bolt 1/4" x 38 mm		4
C	Lock Washer		4
D	Flat Washer		4
E	Screw M4x50mm		4
F	Tapping Bolt M6.5x65 mm		4
G	Bolt 5/16" x 40 mm		4
H	Hex Wrench		2
I	Touch Up Pen		1

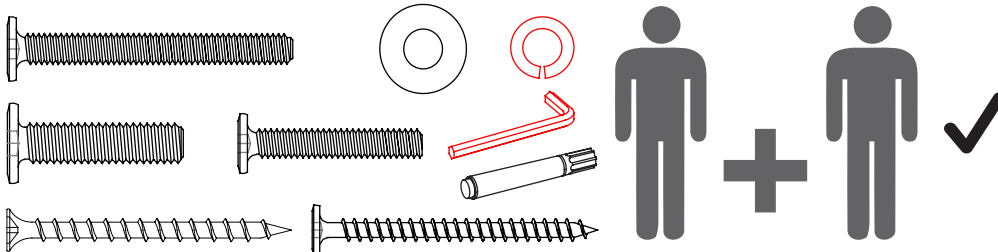
## EXTRA HARDWARE BAG



## BEFORE YOU BEGIN ASSEMBLY

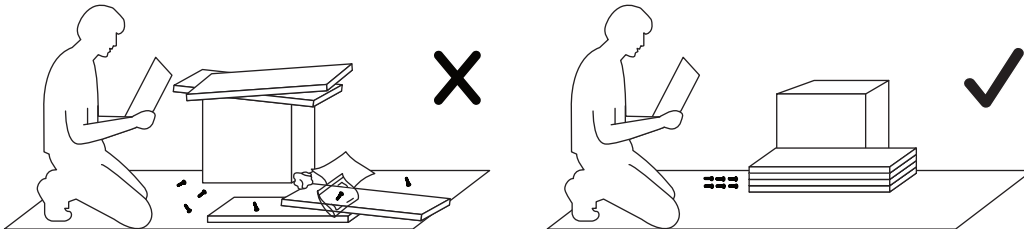
### MAKE SURE ALL PARTS ARE PRESENT

Compare all pieces to the parts and hardware lists, and make sure you have all tools required for assembly.



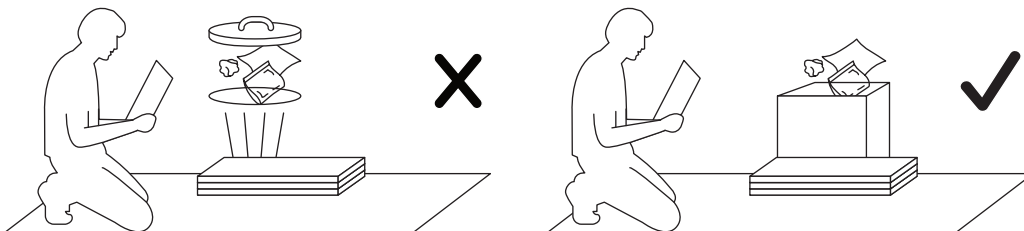
### ASSEMBLE IN A CLEARED AREA

Place all parts from the box on the floor in front of you on a clean, dry, level surface to protect the product as it is being built.



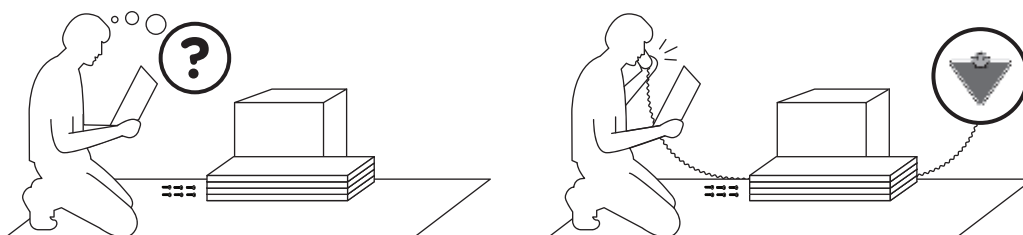
### REMOVE PACKAGING MATERIALS

Place packing materials back in the box. Do not dispose of packaging materials until assembly is complete.



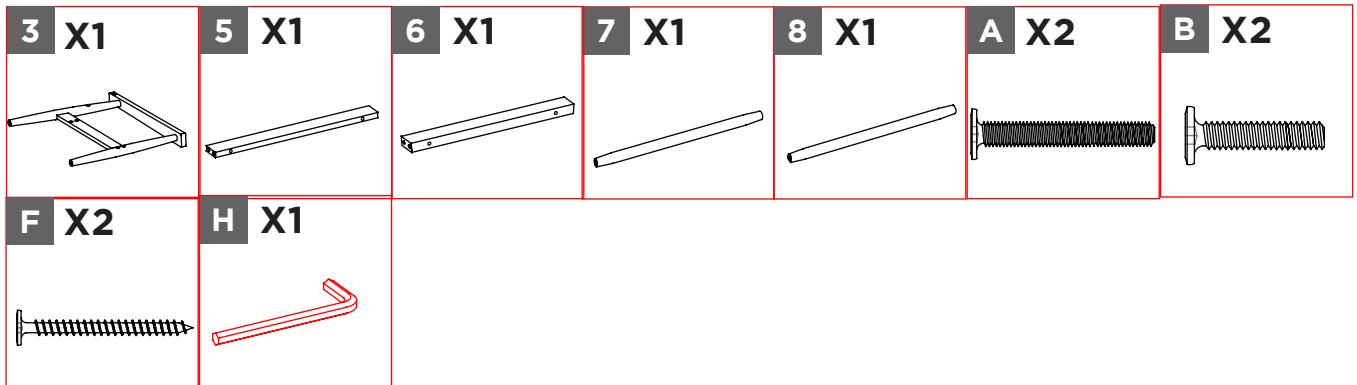
### READ EACH STEP CAREFULLY

Make sure you understand each step. If you have any questions, contact CANVAS™ customer service at 1-888-660-6684 (toll-free).



## STEP-BY-STEP GUIDE

### STEP 1



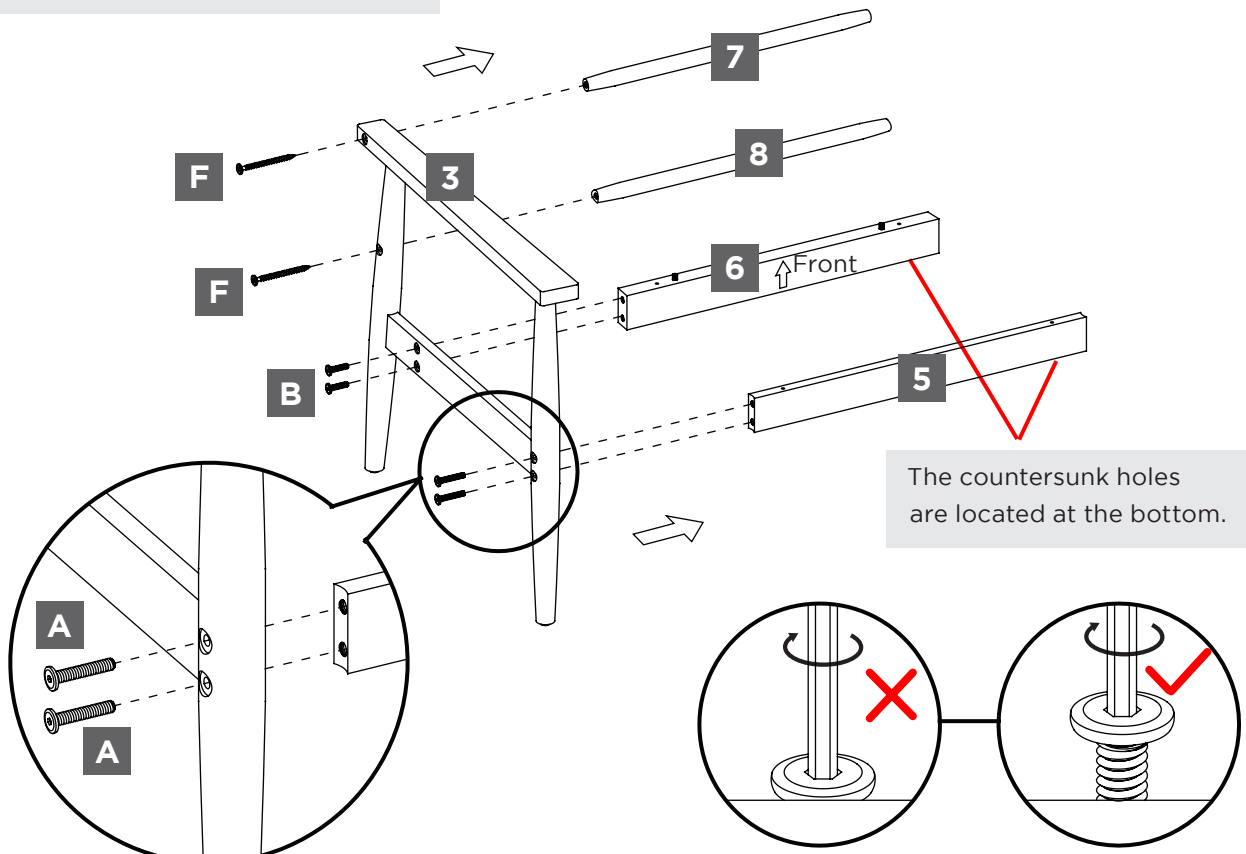
Align and attach the front stretcher (**5**) to the left side frame **3** by inserting two 1/4" x 63mm bolts **A**.

Secure the middle stretcher (**6**) to the left side frame **3** by inserting two 1/4" x 38mm bolts **B**.

Fasten the back stretchers (**7** and **8**) to the left side frame **3** with two 65mm tapping bolts **F**.

#### NOTE:

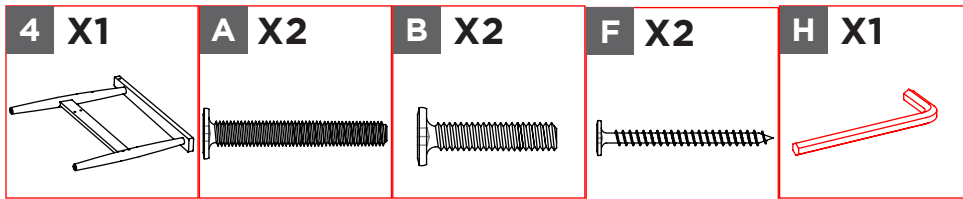
Do not tighten bolts all the way until you have assembled the chair. Once assembly is complete, tighten each bolt.





## STEP-BY-STEP GUIDE

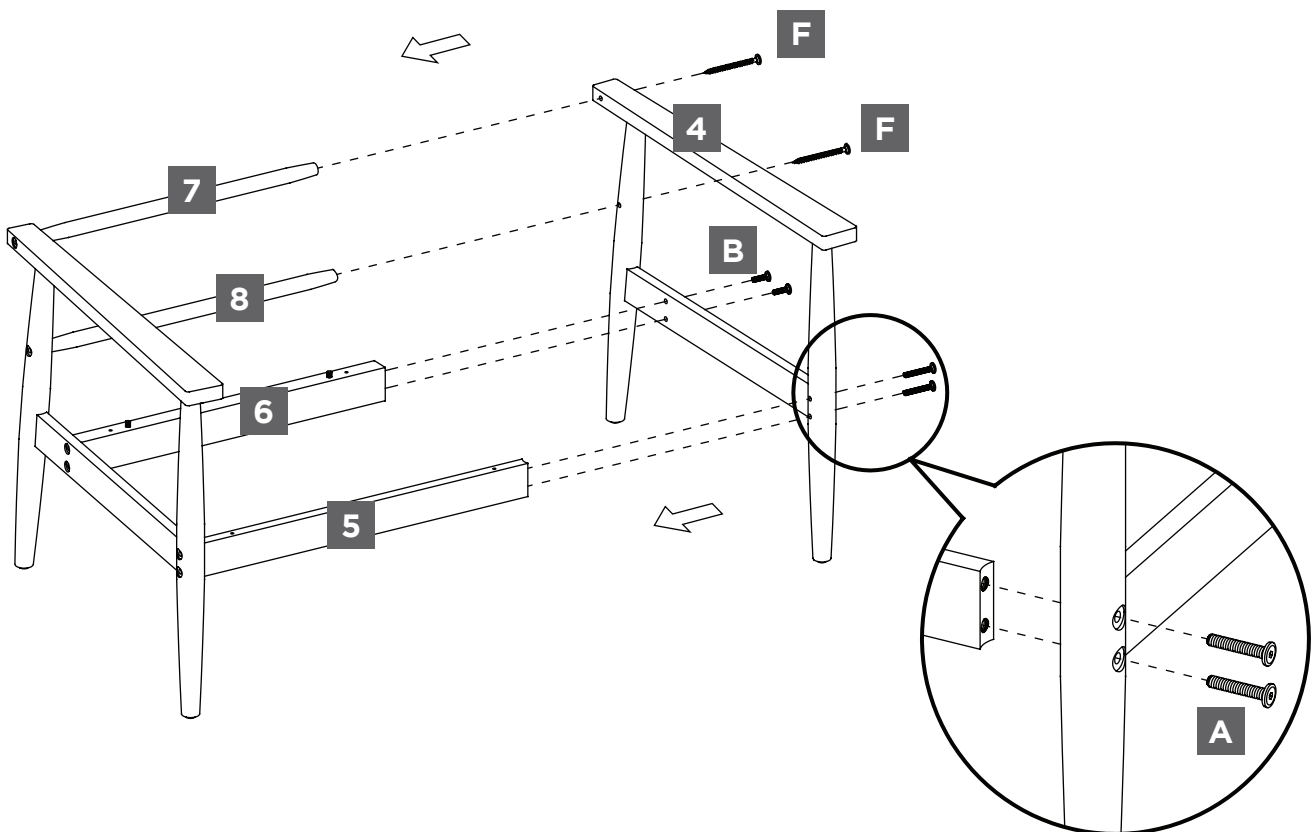
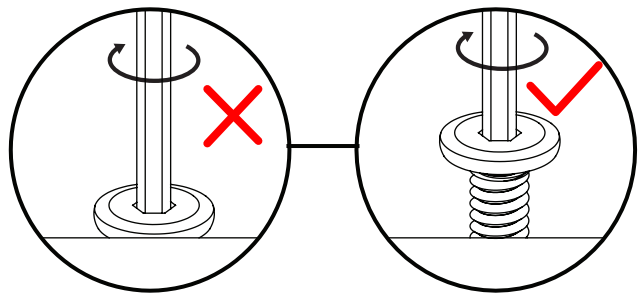
### STEP 2



Repeat the same procedure to attach the right side frame **4**.

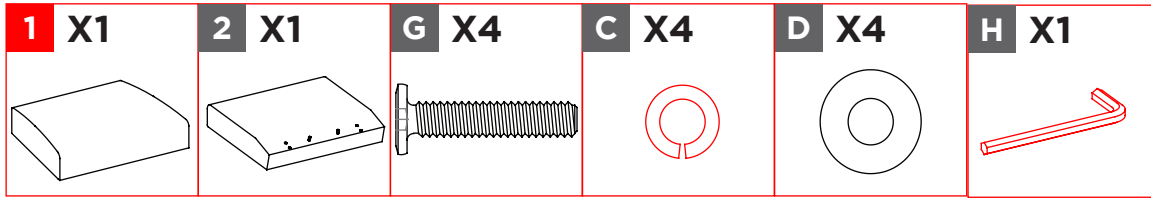
**NOTE:**

Do not tighten bolts all the way until you have assembled the chair. Once assembly is complete, tighten each bolt.



## STEP-BY-STEP GUIDE

### STEP 3

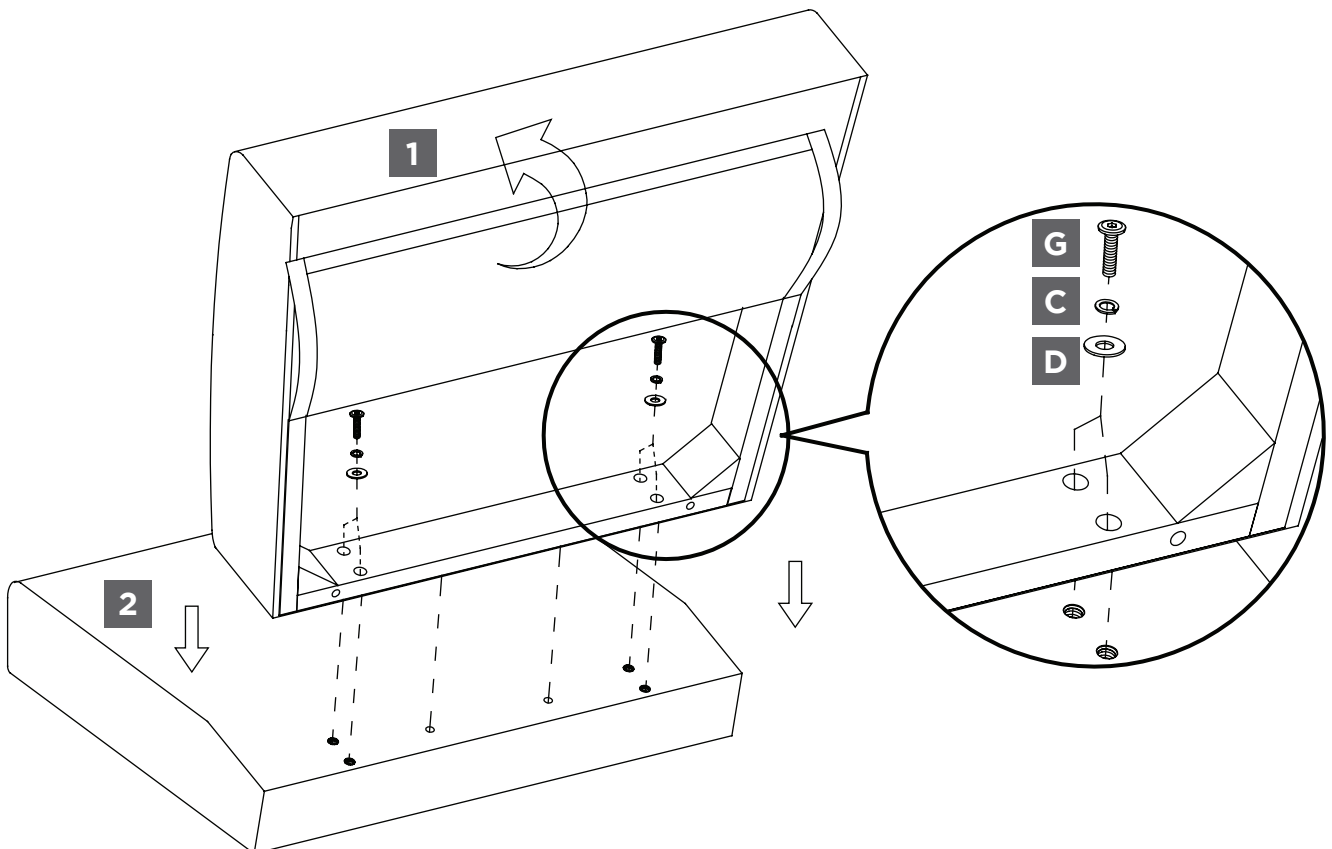
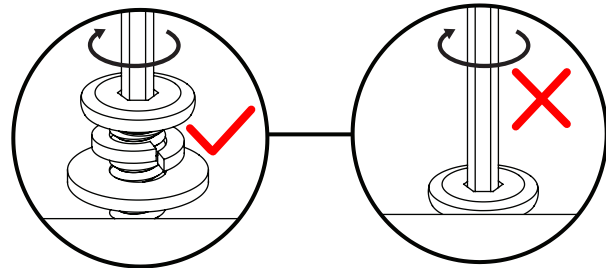


Pick up the seat cushion **1** and pull back the bottom non-woven fabric. Align and attach the seat cushion onto the backrest **2** by inserting four 5/16" x 40 mm bolts **G** with the washers (**C** and **D**). Make sure the cushion faces up after assembly.

Replace the non-woven fabric onto the bottom side of the seat cushion **1** by engaging the velcro strips.

#### NOTE:

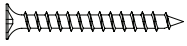
Do not tighten the seat cushion bolts all the way until all are aligned. Once all bolts are partially inserted, tighten each bolt.



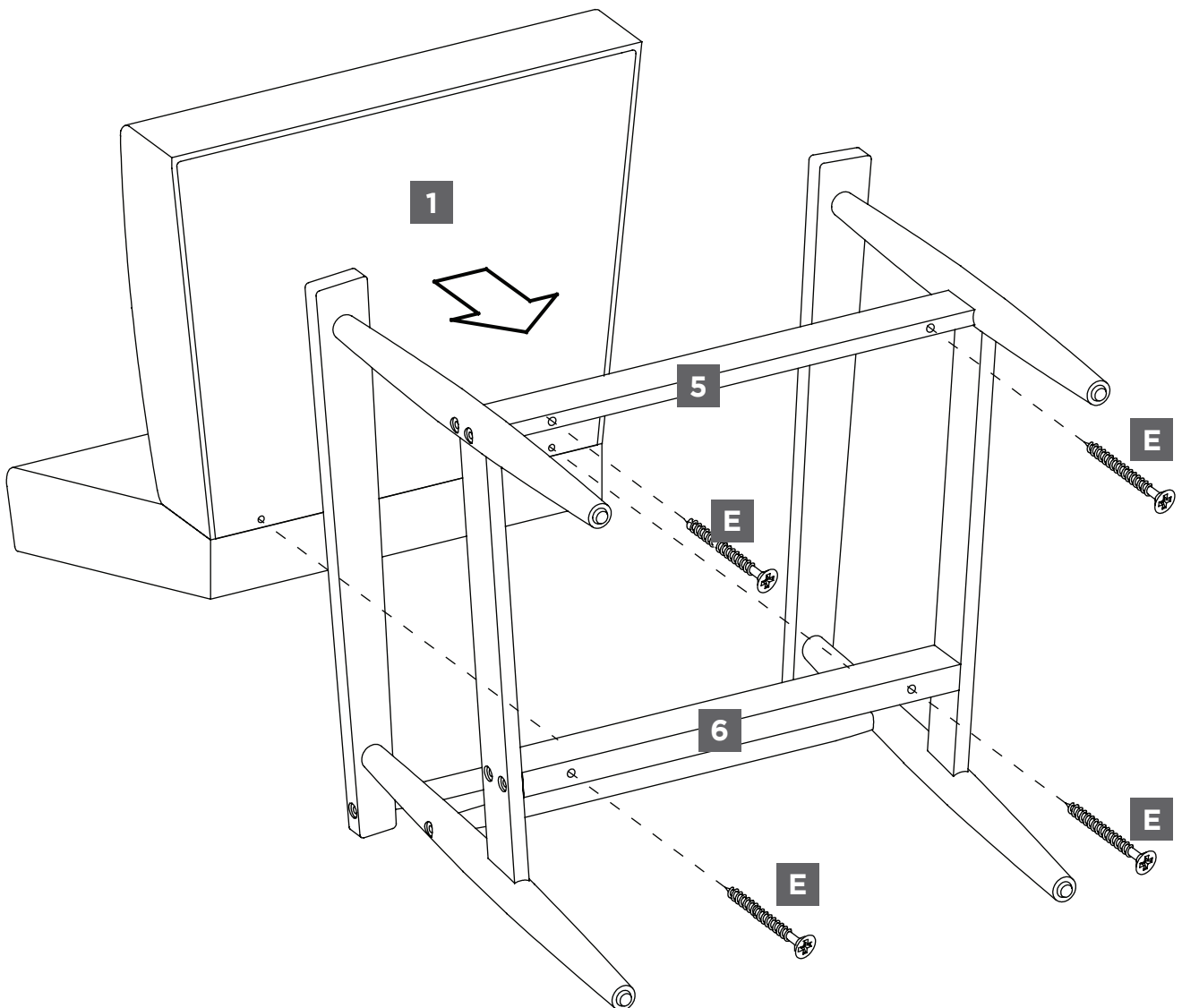
## STEP-BY-STEP GUIDE

### STEP 4

**E X4**



With the pre-attached wood dowels on the middle stretcher **6** as a guide. Align and fit the assembled seat cushion **1** onto the stretchers (**5** and **6**) and fasten it in place with four 50mm screws **E**.

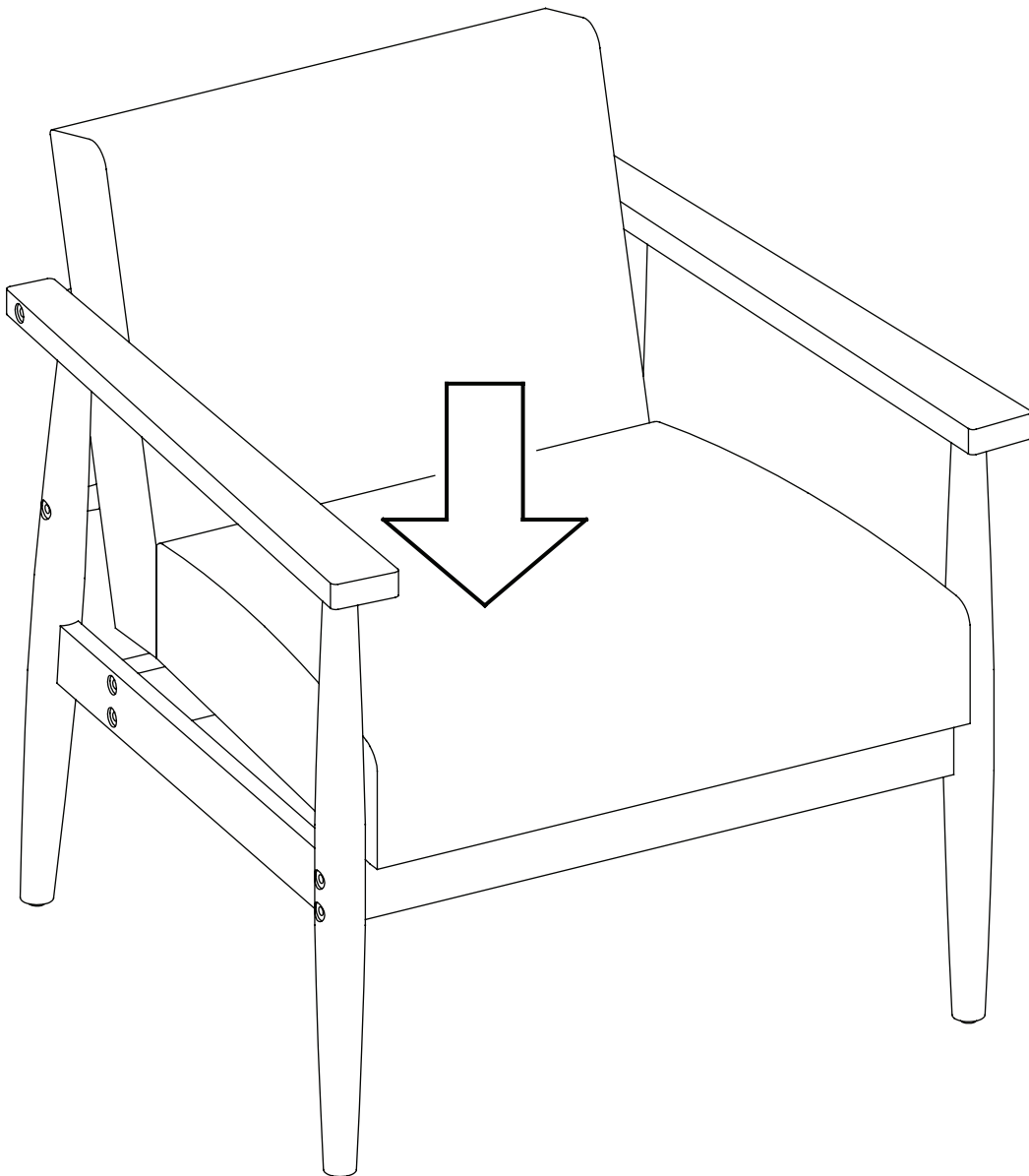


### STEP 5

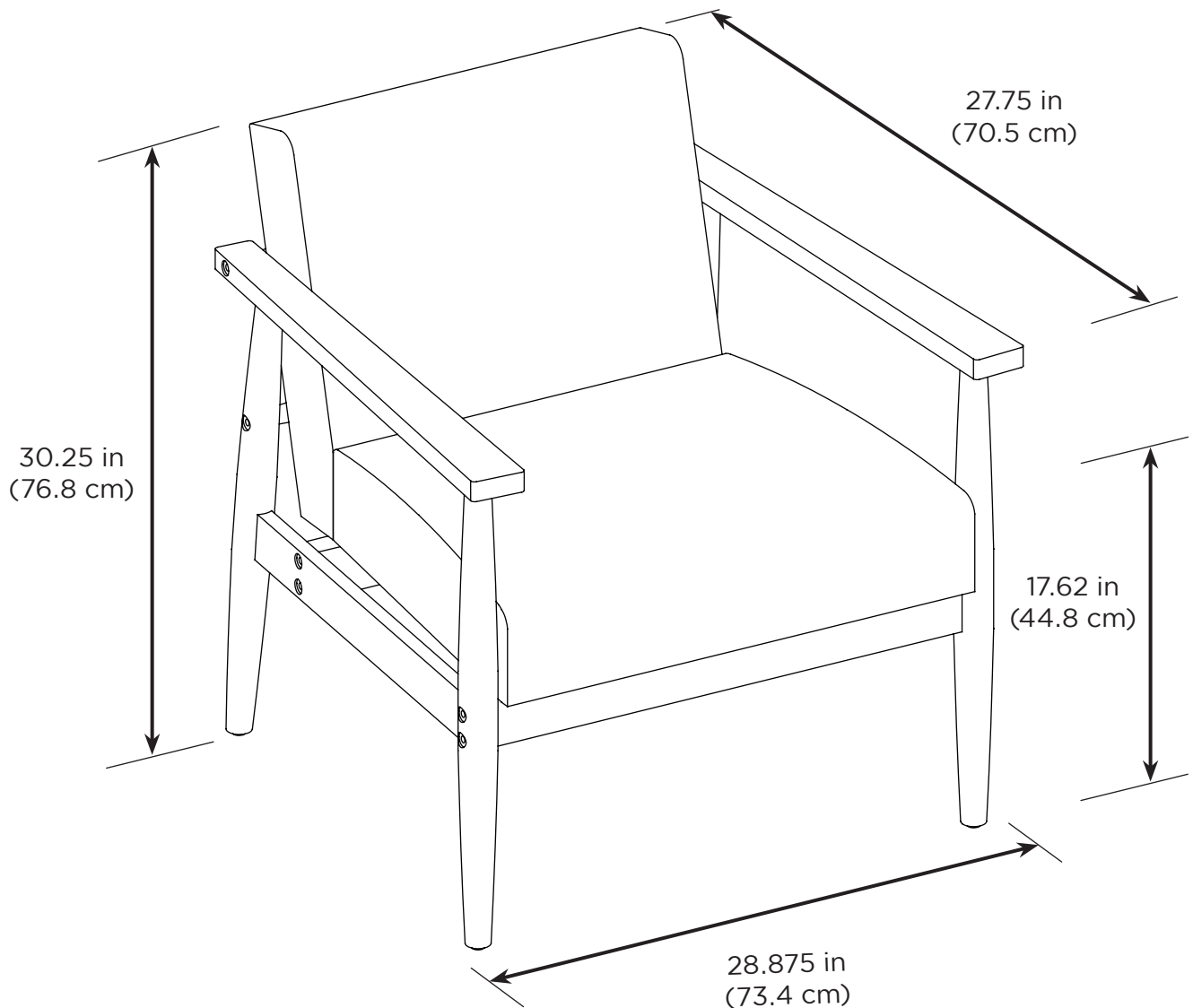
Stand the assembled unit upright on a flat floor.

Sit down on the chair with bolts not fully tightened. That will level all legs and then proceed to fully tighten all the bolts.

The chair is now fully assembled.



## TECHNICAL DATA



### SPECIFICATIONS

#### ASSEMBLED DIMENSIONS (W x D x H)

28.875 x 27.75 x 30.25 in

73.4 x 70.5 x 76.8 cm

#### ASSEMBLED WEIGHT

27.12 lb

12.3 kg

#### MAXIMUM WEIGHT CAPACITY

300 lb

136 kg

## ASSEMBLY TROUBLESHOOTING



**BEFORE  
RETURNING**

**HAVING TROUBLE?  
LET US HELP YOU!**

**TOLL-FREE:  
1-888-670-6684**

If you have questions regarding your product or require warranty assistance, please call our customer service helpline.



**CALL US,  
WE CAN HELP**

## PRODUCT TROUBLESHOOTING

PROBLEM	POSSIBLE CAUSES	SOLUTION
The chair is shaky and squeaking.	The hardware has loosened.	Fully tighten all bolts and nuts with firm hand pressure.
The front legs are tilting.	The ground is uneven. The legs are not aligned.	Use on an even surface. Sit down on the chair with bolts not fully tightened to level all legs, and then proceed to fully tighten all bolts and nuts.

## CARING FOR YOUR ITEM

- 1 Always keep children under close supervision while they are using or around this product. Never leave children unattended.
- 2 This product is intended for domestic indoor use only.
- 3 Do not expose wood furniture to direct sunlight, drying heat sources or dampness.
- 4 Check all nuts and bolts periodically for tightness. When required, tighten them again.

**CLEANING:** Dust frequently with a soft dry cloth in the direction of the grain. Vacuum regularly to keep the cushion from accumulating dirt. Spot clean using a cleaner recommended for the cushion and follow the manufacturer's instructions. Dab stains and blot up. Do not rub.

## WARRANTY INFORMATION



### 2 YEARS LIMITED WARRANTY\*

This CANVAS™ product carries a one (2) year warranty against defects in workmanship and materials. Trileaf Distribution agrees to replace the defective product free of charge within the stated warranty period, when returned by the original purchaser with proof of purchase. This product is not guaranteed against wear or breakage due to misuse and/or abuse.

PRODUCT NO. 168-0145-8

Made in China

Imported by Trileaf Distribution Trifeuil Toronto, Canada M4S 2B8

**CANVAS™**

INSPIRED BY CANADA

