

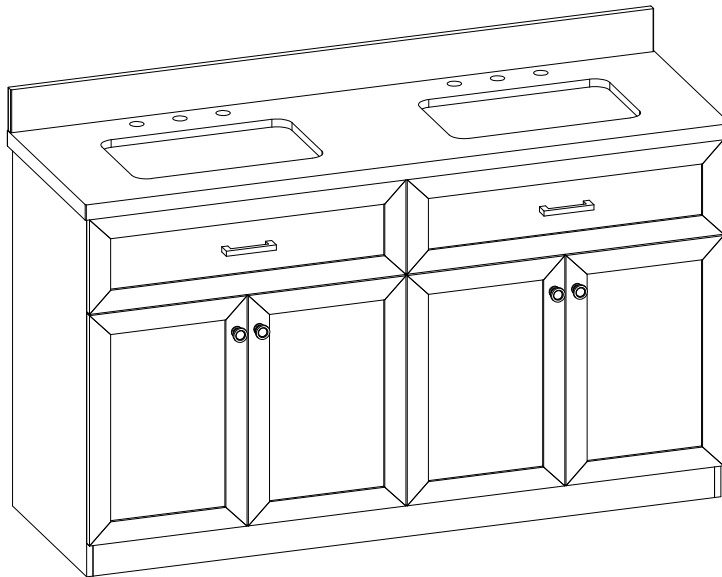
**HOME  
DECORATORS  
COLLECTION**

**Item #1007892889  
Model # HDTC60VW**

## **USE AND CARE GUIDE**

---

### **60in Vanity Light Oak**



Questions, problems, missing parts? Before returning to the store,  
call Home Decorators Collection Customer Service  
8 a.m. - 6 p.m., EST, Monday-Friday

**1-800-986-3460**

**[HOMEDEPOT.COM/HOMEDECORATORS](http://HOMEDEPOT.COM/HOMEDECORATORS)**

---

**THANK YOU**

*We appreciate the trust and confidence you have placed in Home Decorators Collection through the purchase of this vanity. We strive to continually create quality products designed to enhance your home. Visit us online to see our full line of products available for your home improvement needs. Thank you for choosing Home Decorators Collection!*

## Table of Contents

Table of Contents .....	2	Package Contents .....	5
Safety Information .....	2	Assembly .....	6
Warranty .....	2	Care and Maintenance .....	9
Minnesota Residents .....	3	Service Parts.....	9
Pre-Assembly .....	4		
Planning Assembly .....	4		
Tools required.....	4		
Hardware Included.....	5		

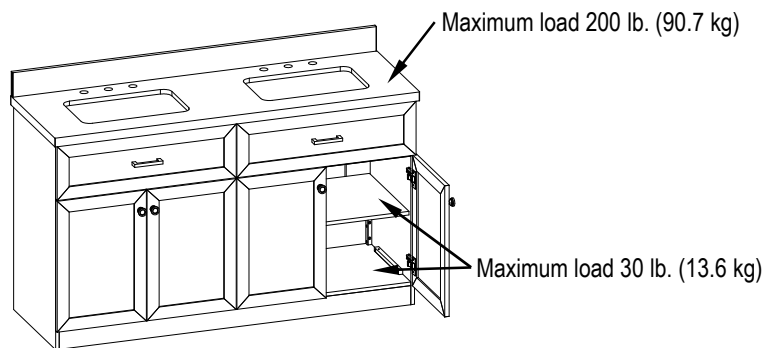
## Safety Information

Please read and understand these instructions before assembling and using this console. Save these instructions for future reference.

### MAXIMUM RECOMMENDED WEIGHT LOADS



**WARNING:** Do not stand on vanity. Use vanity on level ground. Exceeding maximum weight limit will compromise the integrity of the vanity structure and could cause the vanity to fail.



## Warranty

We are confident that you will be delighted with this purchase. Should this product be defective in workmanship or materials, or fail under normal use, we will repair or replace it for a period of up to one (1) year from date of purchase.

This warranty gives you specific rights and you may also have other rights which vary from state to state.

Contact the Customer Service Team at 1-800-986-3460 or visit [www.HomeDepot.com/homedecorators](http://www.HomeDepot.com/homedecorators).

# Minnesota Residents

## MINNESOTA RESIDENTS

"IMPORTANT HEALTH NOTICE.

SOME OF THE BUILDING MATERIALS USED IN THIS HOME (OR THESE BUILDING MATERIALS) EMIT FORMALDEHYDE. EYE, NOSE, AND THROAT IRRITATION, HEADACHE, NAUSEA AND A VARIETY OF ASTHMA-LIKE SYMPTOMS, INCLUDING SHORTNESS OF BREATH, HAVE BEEN REPORTED AS A RESULT OF FORMALDEHYDE EXPOSURE. ELDERLY PERSONS AND YOUNG CHILDREN, AS WELL AS ANYONE WITH A HISTORY OF ASTHMA, ALLERGIES, OR LUNG PROBLEMS, MAY BE AT GREATER RISK. RESEARCH IS CONTINUING ON THE POSSIBLE LONG-TERM EFFECTS OF EXPOSURE TO FORMALDEHYDE.

REDUCED VENTILATION MAY ALLOW FORMALDEHYDE AND OTHER CONTAMINANTS TO ACCUMULATE IN THE INDOOR AIR. HIGH INDOOR TEMPERATURES AND HUMIDITY RAISE FORMALDEHYDE LEVELS. WHEN A HOME IS TO BE LOCATED IN AREAS SUBJECT TO EXTREME SUMMER TEMPERATURES, AN AIR-CONDITIONING SYSTEM CAN BE USED TO CONTROL INDOOR TEMPERATURE LEVELS. OTHER MEANS OF CONTROLLED MECHANICAL VENTILATION CAN BE USED TO REDUCE LEVELS OF FORMALDEHYDE AND OTHER INDOOR AIR CONTAMINANTS.

IF YOU HAVE ANY QUESTIONS REGARDING THE HEALTH EFFECTS OF FORMALDEHYDE, CONSULT YOUR DOCTOR OR LOCAL HEALTH DEPARTMENT."

## Pre-Assembly

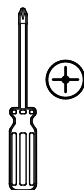
### PLANNING ASSEMBLY

Compare all parts with the Hardware Included and Package Contents list. If any part appears missing or damaged, do not assemble this product and contact the Customer Service Team at 1-800-986-3460.

### TOOLS REQUIRED



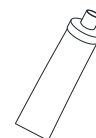
Safety goggles



Phillips screwdriver



Level



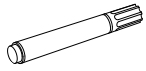
Silicone Compound (not provided)

# Pre-Assembly (continued)

## HARDWARE INCLUDED



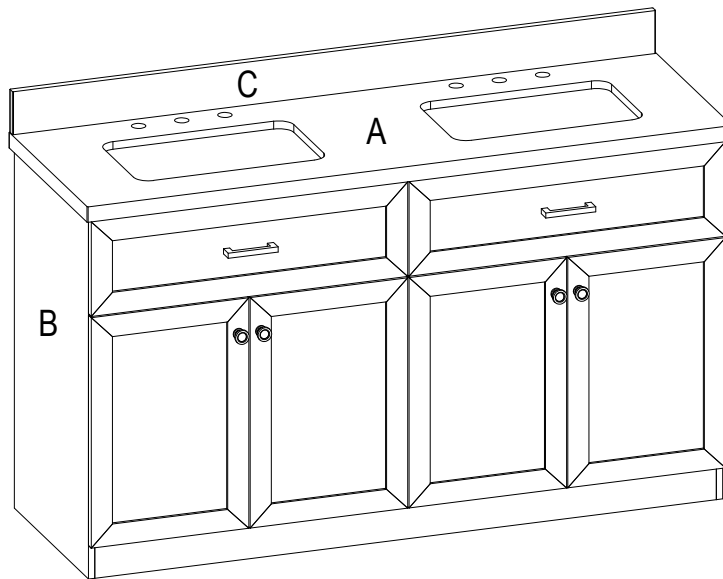
NOTE: Hardware not shown to actual size.



— AA

Part	Description	Quantity
AA	Touch-up Pen	1

## PACKAGE CONTENTS

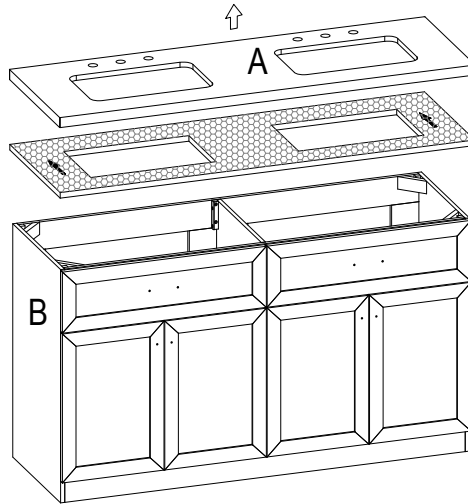


Part	Description	Quantity
A	Vanity Top (preassembled)	1
B	Vanity Base	1
C	Backsplash	1

# Assembly

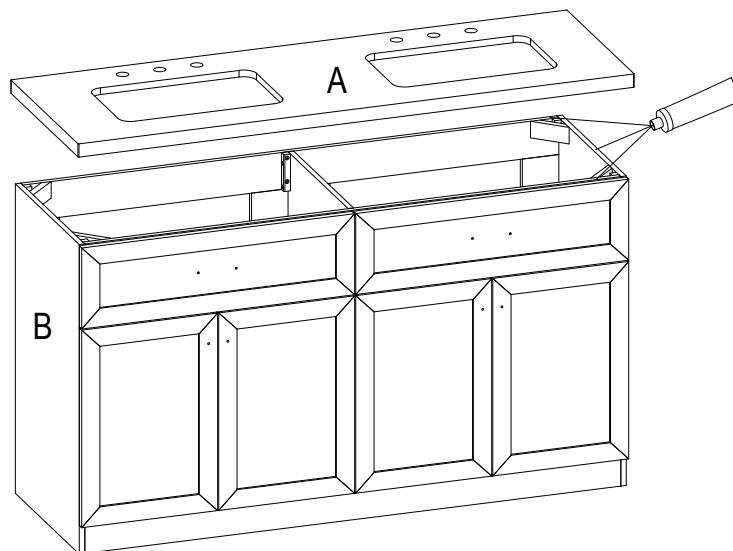
## 1 Removing Packaging Material

- Remove stone top and the packaging material under the stone top.



## 2 Stone Top Assembly

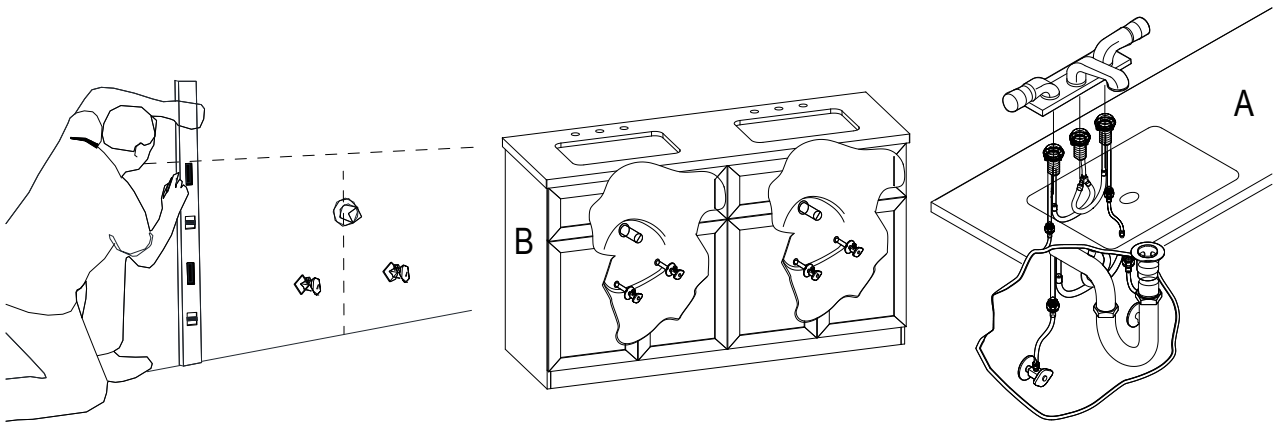
- Apply a thin bead of silicone compound (not included) to the top of the vanity base ( B ).
- Align the back of the vanity base ( B ) and put the stone top ( A ) on the vanity base ( B ).



## Assembly (continued)

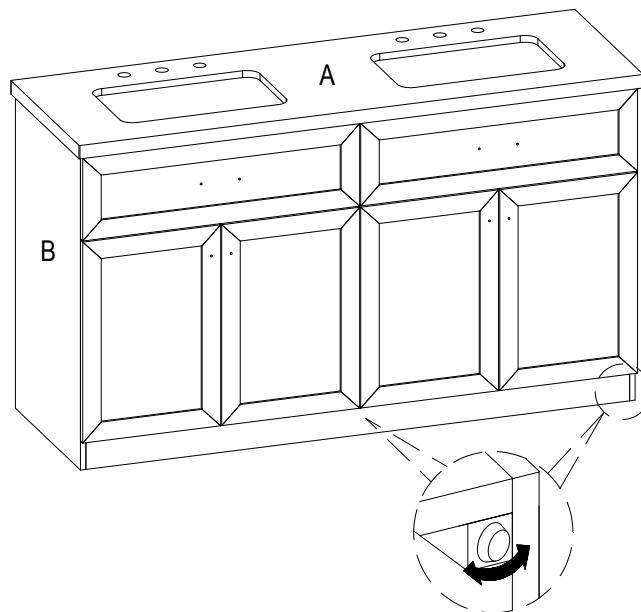
### 3 Water Supply Lines and Drain Installation Guide

- Mark wall for vanity placement and note the location of the water supply lines and drain on the back panel of vanity.
- Move vanity base(B) into proper place against the wall.
- Install faucet, drain and supply lines (none included) to vanity top (A) according to the instructions supplied with those items.



### 4 Adjustable Level

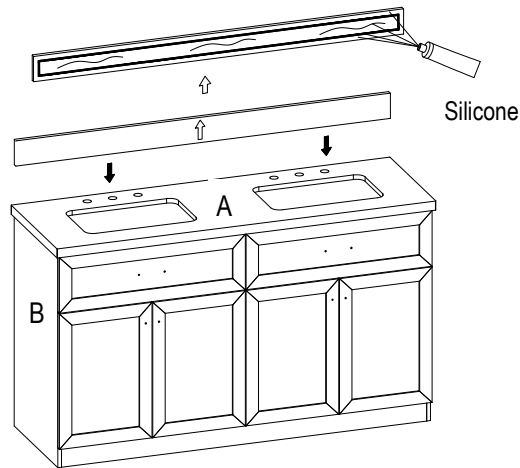
- In case of uneven floors, floor levelers are provided at the bottom of the vanity. If necessary, adjust floor levelers by hand to correct tilting and/or level doors.



## Assembly (continued)

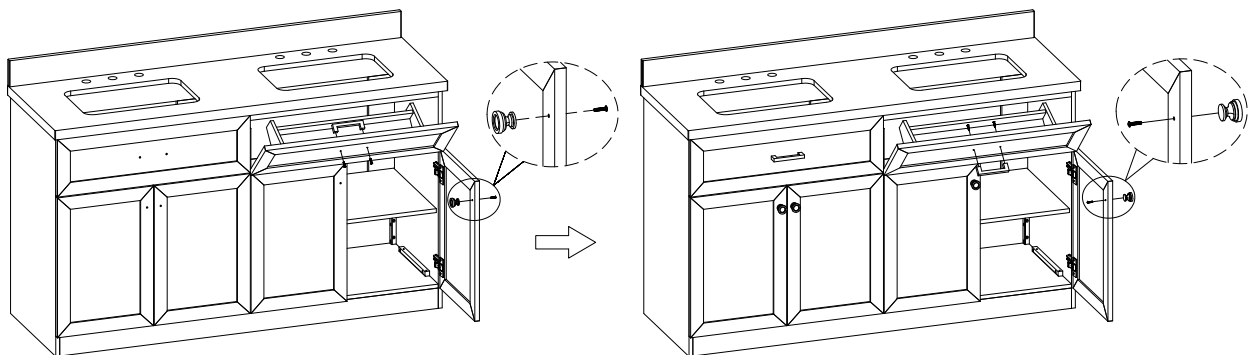
### 5 Backsplash Installation

- To mount the backsplash (C) to the wall, apply a thin bead of silicone compound (not included) to the unpolished back side and bottom of the backsplash (C). Position backsplash (C) as shown onto vanity top (A) and against the wall. Clean any excess silicone compound before allowing to dry.



### 6 Handle Adjustment

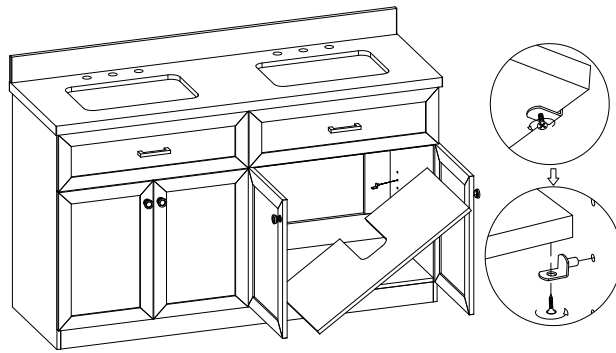
- The vanity comes with the handles pre-assembled to the inside of drawers and doors. To remove the handles, unscrew the bolts located on the front of the drawers and doors. Re-install the knobs to the front of the drawers and doors with the same bolts.



## Assembly (continued)

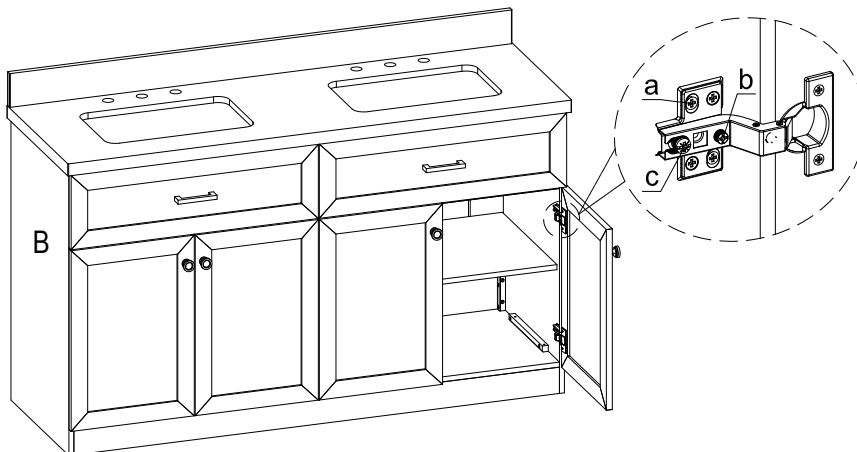
### 7 Adjustable shelf

- Note: The adjustable shelves are pre-installed for shipping. If the shelf position is not to your liking, you will need to reposition the shelf by following the steps below:
  - a. Look under the shelf, and locate the wood screws holding the shelf to the shelf supports.
  - b. Remove the wood screws from each shelf support with a Phillips screwdriver (not included).
  - c. Remove the adjustable shelf from the vanity base (B).
  - d. Remove the shelf supports from the vanity (B) and re-position them in the desired location. Make sure you place the shelf supports in the same level so the shelf is not tilted.
  - e. Place the adjustable shelf back onto the shelf supports.
  - f. Using the Phillips screwdriver, reinstall the wood screws through the shelf supports and into the shelf.



### 8 Hinge Adjustment For Door Alignment

- If the doors preassembled to vanity base (B) require adjustment, follow the below options as needed:
- To adjust door up or down, loosen screws (a), adjust door and retighten screws.
- To adjust door left and right, turn screw (b) in or out.
- To adjust door in and out, loosen screw (c), adjust door and retighten screw.





## Care and Maintenance

- Dust the vanity regularly with a soft, non-lint producing cloth or household dusting product.
- You can clean the vanity with a gentle, non-abrasive household cleaner. Make sure to dry the wood immediately with a soft cloth or towel.
- Tips for using touch-up pen (AA): For scratches, stroke in direction of scratch; for worn areas, stroke in direction of wood grain. Rub excess colorant promptly with a soft cloth.
- Keep product away from direct sunlight as it may damage the finish.
- Please clean all fluids from the stone surface to prevent stains. we strongly suggest that red wine spills be wiped off immediately to prevent permanent damage to the stone surface.

## CARING FOR WOOD FURNITURE

It is best to keep your furniture in a climate-controlled environment. Extreme temperature and humidity changes can cause fading, warping, shrinking and splitting of wood. It is advised to keep furniture away from direct sunlight as sun may damage the finish.

Proper care and cleaning at home will extend the life of your purchase. Following these important and helpful tips will enhance your furniture as it ages.

## Service Parts



C



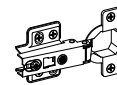
D



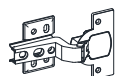
E



F



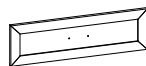
G



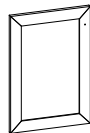
H



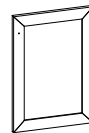
I



J



K



L



M



AA

Part	Description	Quantity
C	Backsplash	1
D	Knob with Bolt	4
E	Handle with Bolt	2
F	Leveler	5
G	Slow close euro hinge (full overlap)	4
H	Slow close euro hinge (half overlap)	8
I	Shelf Support with Screw	8
J	Tip Out Drawer	2
K	Left Door	2
L	Right Door	2
M	Adjustable Shelf	2
AA	Touch-up Pen	1

# HOME DECORATORS COLLECTION

Questions, problems, missing parts? Before returning to the store,  
call Home Decorators Collection Customer Service  
8 a.m. - 6 p.m., EST, Monday-Friday

**1-800-986-3460**

**[HOMEDEPOT.COM/HOMEDECORATORS](http://HOMEDEPOT.COM/HOMEDECORATORS)**

Retain this manual for future use.