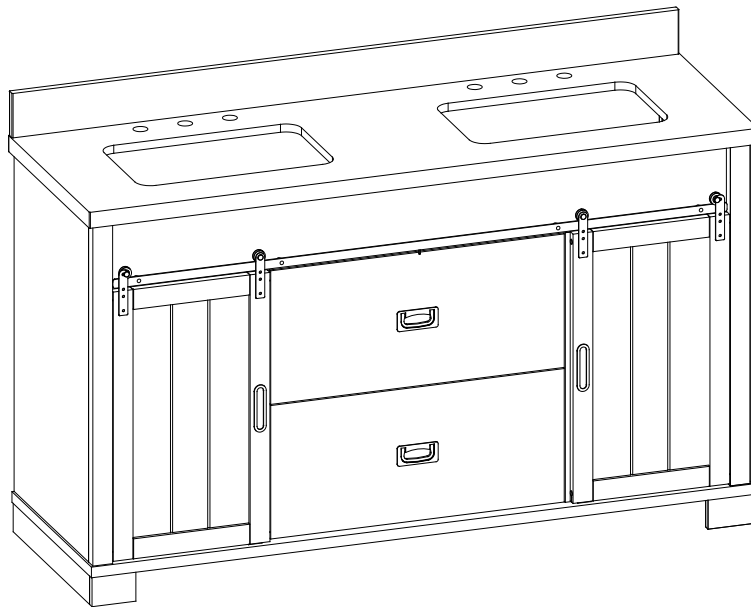


# ASSEMBLY INSTRUCTIONS

---

## BRINDLEY 60IN VANITY



Questions, problems, missing parts?  
Before returning to the store, call Glacier Bay Customer Service.  
8 a.m. – 7 p.m., EST, Monday – Friday, 9 a.m. – 6 p.m., EST, Saturday

**1-855-HD GLACIER (1-855-434-5224)**

**[HOMEDEPOT.COM/GLACIERBAY](http://HOMEDEPOT.COM/GLACIERBAY)**

---

### THANK YOU

*We appreciate the trust and confidence you have placed in Glacier Bay through the purchase of this Vanity. We strive to continually create quality products designed to enhance your home. Visit us online to see our full line of products available for your home improvement needs. Thank you for choosing Glacier Bay!*

# Table of Contents

- Table of Contents ..... 2
- Safety Information ..... 2
- Warranty ..... 3
  - What is Covered ..... 3
  - What is Not Covered ..... 3
- Minnesota Residents ..... 3
- Pre-assembly ..... 4
  - Planning Assembly ..... 4
  - Tools Required ..... 4
  - Hardware Included ..... 4

- Pre-assembly (continued) ..... 5
  - Package Contents ..... 5
- Assembly ..... 6
- Installation ..... 8
- Maintenance ..... 10
- Care and Cleaning ..... 10
- Troubleshooting ..... 10
- Service Parts ..... 11

# Safety Information

## DANGER

- Keep small parts away from children during assembly.
- Failure to follow warnings and cautions could result in serious injury.
- Product is designed to hold **200 lbs.** Exceeding this limit may damage the product or cause injury to the user.
- DON'T use harsh bathroom cleaners or grout cleaners on any natural stone


## WARNING

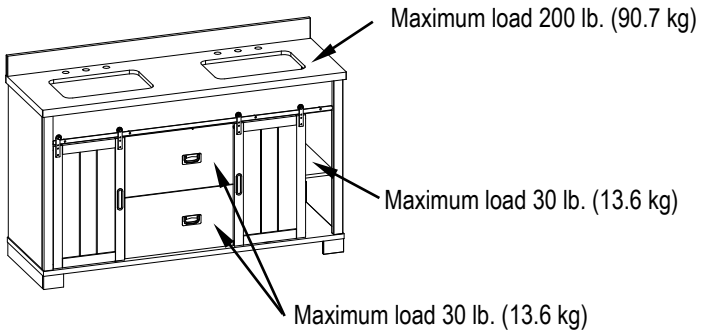
- Read these instructions carefully and keep in a safe place.
- Adult assembly required.
- This product should only be used on a flat, level surface.
- Do not over tighten connectors (screws, bolts, etc.)  
Overtightening can lead to product damage.
- Small parts may present choking hazard prior to assembly.
- Do not stand, step or climb on unit.

## CAUTION

- USE preventative cleaning measures to keep your stone pristine.
- USE sealers according to the product specific directions.**
- Blot spills quickly, and wash with mild soap and warm water.
- Stone countertops (Granite, Marble, etc.) are surprisingly resilient to stains and scratches. However, as a preventative measure, any spills on the stone surfaces should be wiped up within a reasonable amount of time. Don't let liquid sit on the stone overnight. Stones are most prone to staining by oil and acid, so be sure to blot these spills up as soon as they happen. Follow up by cleaning the stone with a mild non-abrasive soap and water.**
- Be sure to check all packing materials carefully for small parts that may have come loose inside the carton during shipment. If parts are missing, contact THE HOME DEPOT to obtain any missing parts.
- Using abrasive cleansers will damage the surface

## MAXIMUM RECOMMENDED WEIGHT LOADS

 **WARNING:** Do not stand on vanity. Use vanity on level ground. Exceeding maximum weight limit will compromise the integrity of the vanity structure and could cause the vanity to fail.



# Warranty

---

## WHAT IS COVERED

Glacier Bay products are manufactured with superior quality standards and workmanship and are backed by 1-year limited warranty. Glacier Bay products are warranted to the original consumer purchaser to be free of defects in materials or workmanship. We will replace FREE OF CHARGE any product or parts that proves defective. Simply, return the product / part to any of The Home Depot retail locations or call 1-855-HD Glacier (1-855-434-5224) to receive the replacement item. Proof of purchase (original sales receipt) from the original consumer purchaser must be made available for all Glacier Bay warranty claims.

## WHAT IS NOT COVERED

This warranty excludes incidental/consequential damages and failures due to misuse, abuse or normal wear and tear. This warranty excludes all industrial, commercial & business usage, whose purchasers are hereby extended a five-year limited warranty from the date of purchase, with all other terms of this warranty applying except the duration of warranty. Some states and provinces do not allow the exclusion or limitation of incidental or consequential damages, so the above limitations may not apply to you. This warranty gives you specific legal rights and you may also have other rights that vary from state to state and province to province. Please see a store or contact 1-855-HDGlacier for more details.

# Minnesota Residents

---

## MINNESOTA RESIDENTS

"IMPORTANT HEALTH NOTICE.

SOME OF THE BUILDING MATERIALS USED IN THIS HOME (OR THESE BUILDING MATERIALS) EMIT FORMALDEHYDE. EYE, NOSE, AND THROAT IRRITATION, HEADACHE, NAUSEA AND A VARIETY OF ASTHMA-LIKE SYMPTOMS, INCLUDING SHORTNESS OF BREATH, HAVE BEEN REPORTED AS A RESULT OF FORMALDEHYDE EXPOSURE. ELDERLY PERSONS AND YOUNG CHILDREN, AS WELL AS ANYONE WITH A HISTORY OF ASTHMA, ALLERGIES, OR LUNG PROBLEMS, MAY BE AT GREATER RISK. RESEARCH IS CONTINUING ON THE POSSIBLE LONG-TERM EFFECTS OF EXPOSURE TO FORMALDEHYDE.

REDUCED VENTILATION MAY ALLOW FORMALDEHYDE AND OTHER CONTAMINANTS TO ACCUMULATE IN THE INDOOR AIR. HIGH INDOOR TEMPERATURES AND HUMIDITY RAISE FORMALDEHYDE LEVELS. WHEN A HOME IS TO BE LOCATED IN AREAS SUBJECT TO EXTREME SUMMER TEMPERATURES, AN AIR-CONDITIONING SYSTEM CAN BE USED TO CONTROL INDOOR TEMPERATURE LEVELS. OTHER MEANS OF CONTROLLED MECHANICAL VENTILATION CAN BE USED TO REDUCE LEVELS OF FORMALDEHYDE AND OTHER INDOOR AIR CONTAMINANTS.

IF YOU HAVE ANY QUESTIONS REGARDING THE HEALTH EFFECTS OF FORMALDEHYDE, CONSULT YOUR DOCTOR OR LOCAL HEALTH DEPARTMENT."

# Pre-assembly

## PLANNING ASSEMBLY

Read all instructions before assembly and installation. To avoid damaging this product, assemble it on a soft, non-abrasive surface such as carpet or cardboard.

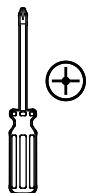


**NOTE:** More than one person may be required to assemble this product.

## TOOLS REQUIRED



Safety goggles



Phillips screwdriver



Level

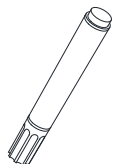


Silicone Compound

## HARDWARE INCLUDED



**NOTE:** Hardware not shown to actual size.

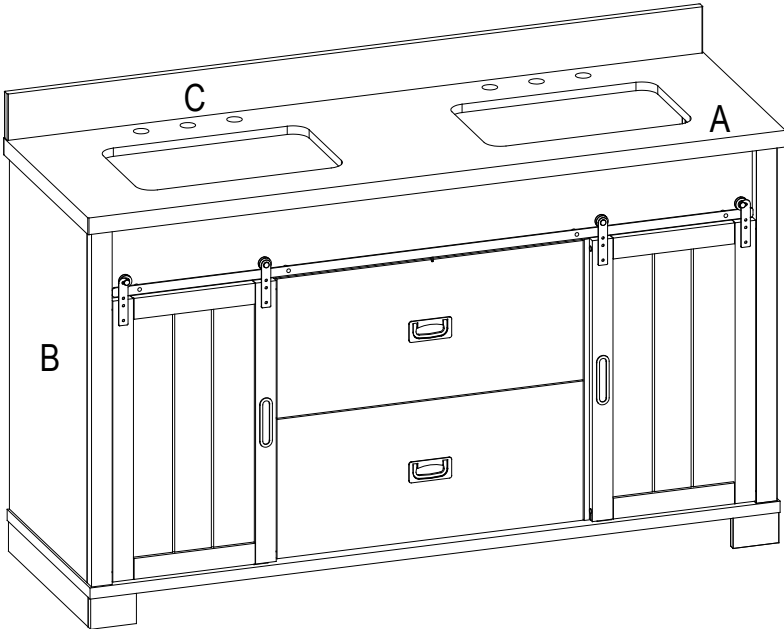


\_\_AA (not included for model# HDBD60VW)

Part	Description	Quantity
AA	Touch up pen	1

# Pre-assembly (continued)

## PACKAGE CONTENTS

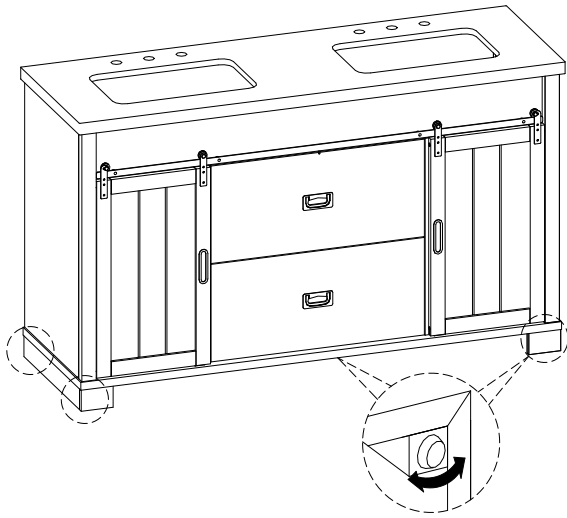


Part	Description	Quantity
A	Vanity Top	1
B	Vanity Base	1
C	Backsplash	1

# Assembly

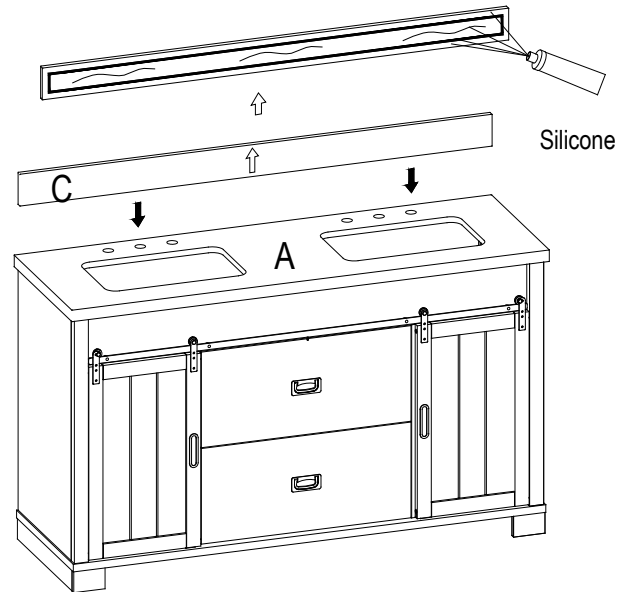
## 1 Adjustable Level

- In case of uneven floors, floor levelers are provided at the bottom of the vanity. If necessary, adjust floor levelers by hand to correct tilting and/or level doors.



## 2 Backsplash Installation

- To mount the backsplash (C) to the wall, apply a thin bead of silicone compound (not provided) to the unpolished back side and bottom of the backsplash (C). Position backsplash (C) as shown onto vanity top (A) and against the wall. Clean any excess silicone compound before allowing to dry.



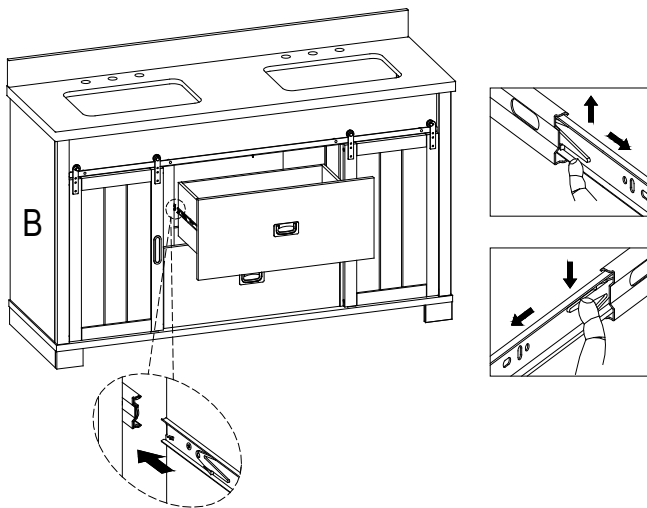
## 3 Vanity Drawer Removal

### □ Removing the Drawer:

1. Unload the contents from the drawer.
2. Slide out the drawer as far as it will go.
3. Press the lever down on the right-hand track and lift the lever up on the left track to release the drawer. Pull the drawer out the rest of the way.

### □ Replacing the Drawer:

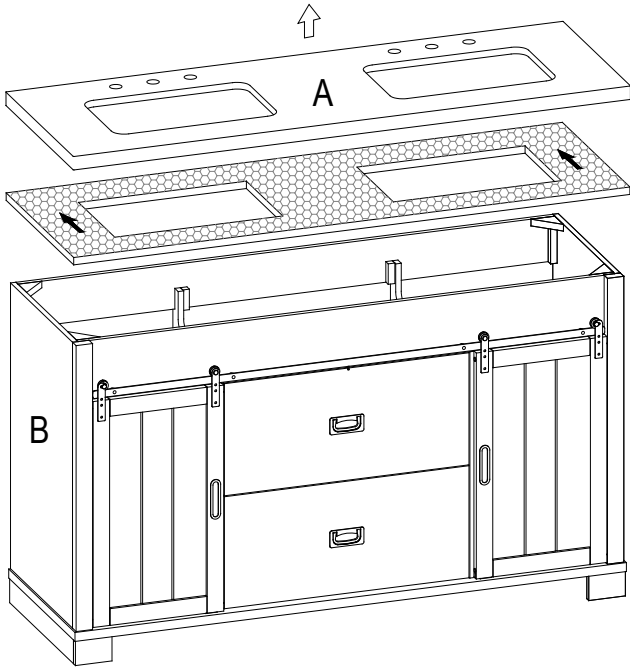
1. Align the drawer guides with the receiving glides.
2. Hold the receiving glides firmly and insert the drawer guide.
- NOTE: It is normal for the drawer to close tightly the first time after it has been removed.
3. Push the drawer in completely.



# Installation

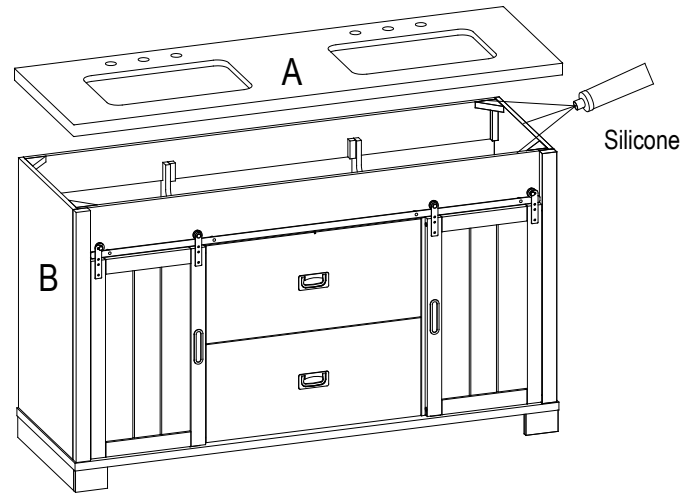
## 1 Removing Packaging Material

- Remove stone top and the packaging material under the stone top.



## 2 Stone Top Assembly

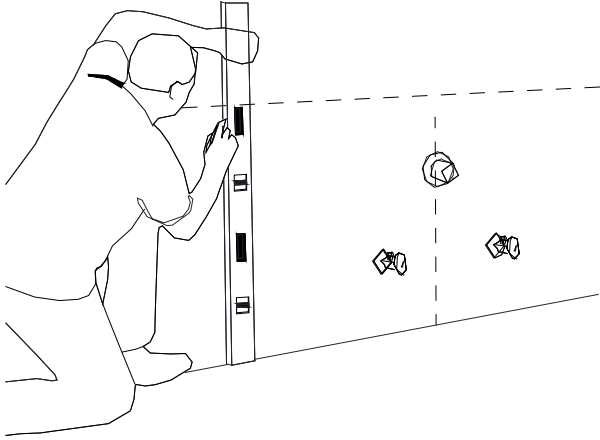
- Apply a thin bead of silicone compound (not provided) to the top of the vanity base ( B ).
- Align the back of the vanity base ( B ) and put the stone top ( A ) on the vanity base ( B ).



# Installation

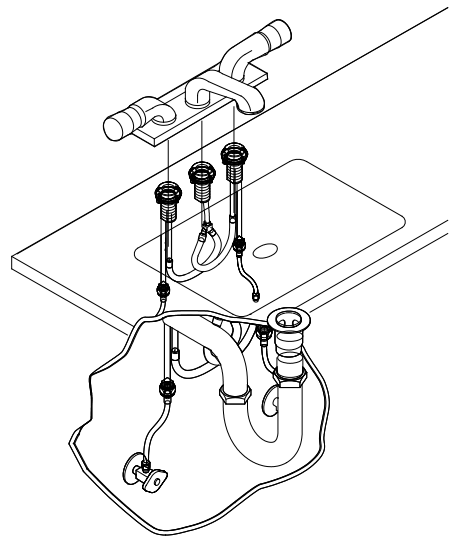
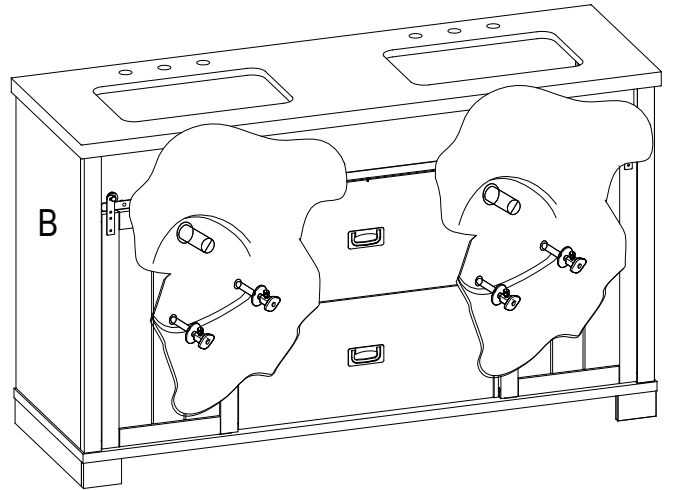
## 3 Water Supply Lines Guide

- Mark wall for vanity placement and note the location of the water supply lines and drain on the back panel of vanity.



## 4 Drain Installation Guide

- Move vanity Base (B) into proper place against the wall.
- Install faucet, drain and supply lines (none included) to vanity top (A) according to the instructions supplied with those items.



## Maintenance

- Tips for using touch-up pen (AA): For scratches, stroke in direction of scratch; for worn areas, stroke in direction of wood grain. Rub excess colorant promptly with a soft cloth.

## Care and Cleaning

- Rinse vanity top with clean, hot water frequently.
- Blot spills quickly, and wash with mild soap and warm water.
- Clean the surface with a glass cleaner or other household cleansers that are non-abrasive
- Remove oil-based stains with acetone, mineral spirits, or ammonia.
- Organic stains like coffee, tea, or juice can be removed with hydrogen peroxide, mixed with a few drops of ammonia
- Water spots or rings can be removed by buffing the spots gently with 00-gauge steel wool.
- Small nicks and scratches can often be removed the same way.
- Larger scratches, chips, and resilient stains may require professional help. Please contact your local stonemason for details.
- *Use if you have Natural Stone* Your stone was sealed at the factory, but reapplication is necessary over time. How often is determined by the quality of the sealer used, and the frequency of use. We recommend using a penetrating non-toxic sealer for bath areas.

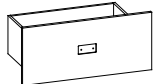
## Troubleshooting

Problem	Possible Cause	Corrective Action
Vanity doors rub against another surface.	The floor is not level.	1. Adjust the leg levelers to ensure the vanity combo is level.
There is an uneven gap between the doors and cabinet.	The floor is not level.	1. Adjust the leg levelers to ensure the vanity combo is level.

# Service Parts



C



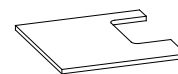
D



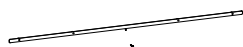
E



F



G



H



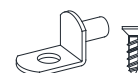
I



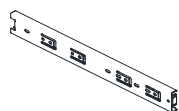
J



K



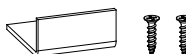
L



M



N



O



AA

Part	Description	Quantity
C	Backsplash	1
D	Drawer Box	2
E	Left Door	1
F	Right Door	1
G	Adjustable Shelf	2
H	Upper Rail with Bolts	1
I	Pulley with Screws	4
J	Drawer Handle with Bolt	2
K	Door Pull with Bolt	2
L	Shelf Support with Screw	8
M	Drawer Slides	4
N	Leveler	5
O	L metal bracket	2
AA	Touch-up Pen (not included for model# HDBD60VW)	1



# GLACIER BAY®

Questions, problems, missing parts?  
Before returning to the store, call Glacier Bay Customer Service  
8 a.m. – 7 p.m., EST, Monday – Friday, 9 a.m. – 6 p.m., EST, Saturday

**1-855-HD GLACIER (1-855-434-5224)**

**[HOMEDEPOT.COM/GLACIERBAY](https://www.homedepot.com/glacierbay)**

Retain this manual for future use.