

OMSID # 312727374
OMSID # 312727251

HOME DECORATORS COLLECTION

Model # HDFP54-46
HDFP54-46AE

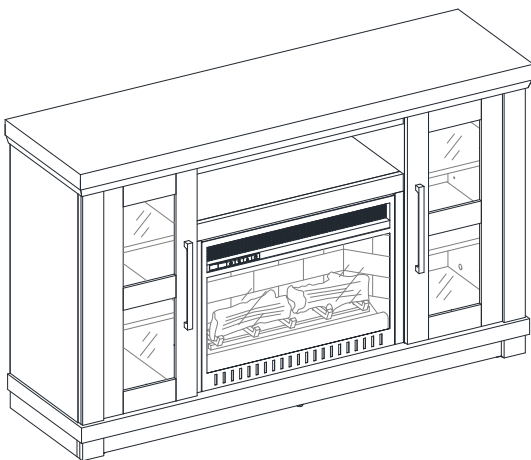
Before you begin

3D-GUIDED INTERACTIVE ASSEMBLY
INSTRUCTIONS CAN BE FOUND IN **BILT**[®]
DOWNLOAD THE **FREE APP**

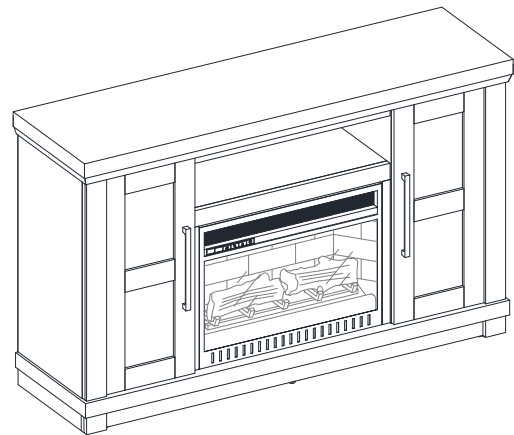


ASSEMBLY INSTRUCTIONS

Caufield 54in Media Console Infrared Electric Fireplace



OR



Questions, problems, missing parts? Before returning to the store,
call Home Decorators Collection Customer Service
8 a.m. - 7 p.m., EST, Monday-Friday
9 a.m. - 6 p.m., EST, Saturday

1-800-986-3460

[HOMEDEPOT.COM/HOMEDECORATORS](https://www.homedepot.com/homedecorators)

THANK YOU

We appreciate the trust and confidence you have placed in Home Decorators Collection through the purchase of this fireplace console. We strive to continually create quality products designed to enhance your home. Visit us online to see our full line of products available for your home improvement needs. Thank you for choosing Home Decorators Collection!

Table of Contents

Table of Contents.....2
Safety Information.....2
Warranty2
Pre-Assembly2
 Planning Assembly.....2
 Tools Required2

Hardware Included.....3
Package Contents4
Assembly.....5
Care and Maintenance.....19

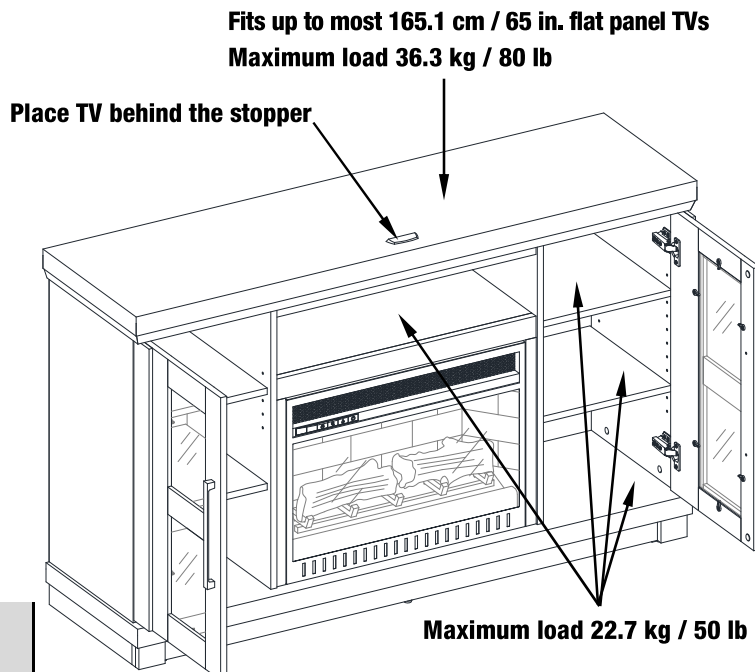
Safety Information

Please read and understand these instructions before assembling and using this console. Save these instructions for future reference.

MAXIMUM RECOMMENDED WEIGHT LOADS



WARNING: This unit is not intended for use with CRT TVs. Use only with flat panel TVs and audio/video equipment meeting recommended size and weight limits. Never use with larger/heavier than recommended flat panel TVs or equipment. To avoid instability, place flat panel TV in the centre of the unit; the base of the television must be able to rest on the supporting surface of the unit without over-hanging the edges. Improperly positioned flat panel TVs, or flat panel TVs or other equipment that exceed recommended size and weight limits could fall off or break the unit, causing possible serious injury.



Warranty

We are confident that you will be delighted with this purchase. Should this product be defective in workmanship or materials, or fail under normal use, we will repair or replace it for a period of up to one (1) year from date of purchase. This warranty gives you specific rights and you may also have other rights which vary from state to state. Contact the Customer Service Team at 1-800-986-3460 or visit www.HomeDepot.com/homedecorators.

Pre-Assembly

PLANNING ASSEMBLY

Compare all parts with the Hardware Included and Package Contents list. If any part appears missing or damaged, do not assemble this product and contact the Customer Service Team at 1-800-986-3460.

TOOLS REQUIRED



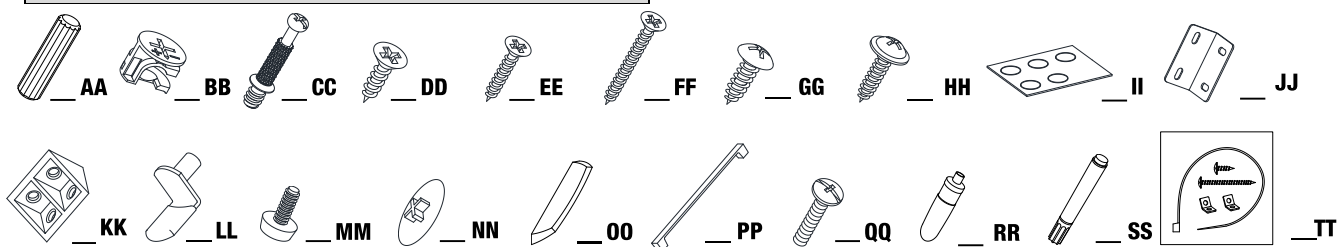
Phillips
screwdriver
(not provided)

Pre-Assembly (continued)

HARDWARE INCLUDED



NOTE: Hardware not shown to actual size.

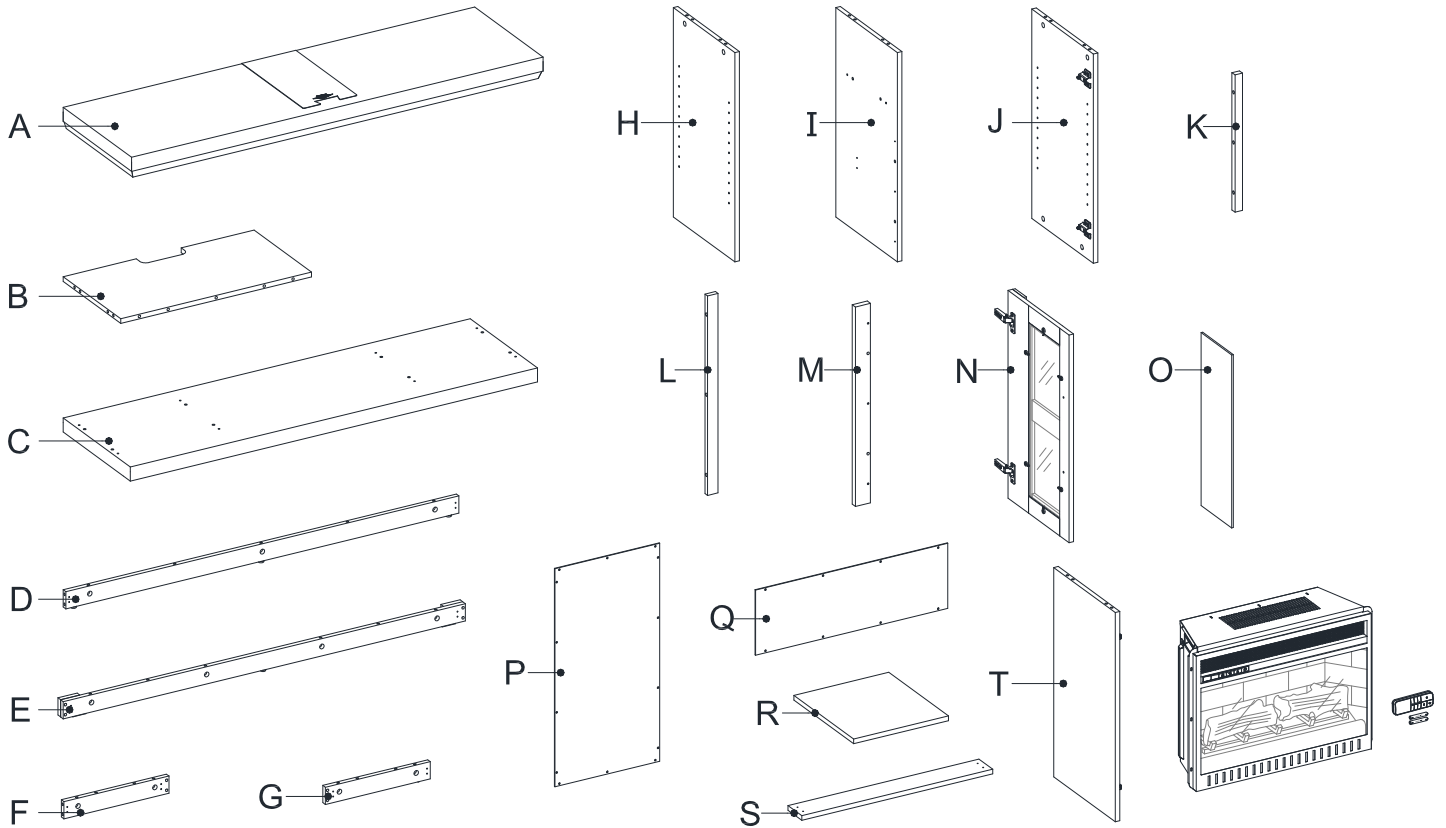


Part	Description	Quantity
AA	Wood dowel	44+2 extra
BB	Cam lock	30+1 extra
CC	Cam bolt	30+1 extra
DD	Short flat head screw	16+1 extra
EE	Medium flat head screw	9+1 extra
FF	Long flat head screw	4+1 extra
GG	Pan head screw	8+1 extra
HH	Washer head screw	36+1 extra
II	Rubber bumper	4+1 extra
JJ	Metal bracket	2

Part	Description	Quantity
KK	Plastic bracket	4
LL	Shelf support	16+1 extra
MM	Floor leveler	2
NN	Cam lock cover	12+1 extra
OO	Acrylic stopper	1
PP	Handle	2
QQ	Handle bolt	4
RR	Glue	2
SS	Touch-up pen	1
TT	Tipping restraint hardware kit	2

Pre-Assembly (continued)

PACKAGE CONTENTS



Box 1

Part	Description	Quantity
A	Top panel	1
C	Bottom panel	1
D	Bottom back support	1
E	Bottom front support	1
P	Side back panel	2
R	Adjustable shelf	4

Box 2

Part	Description	Quantity
	Fireplace insert	1
	Remote control with battery	1

Box 3

Part	Description	Quantity
B	Center shelf	1
F	Bottom Left support	1
G	Bottom Right support	1
H	Left partition panel	1
I	Right partition panel	1
J	Right side panel	1
K	Middle stile	2
L	Top front molding	1
M	Middle crossbar	1
N	Door with glass insert	2
O	Wood door insert	2
Q	Middle back panel	1
S	Firebox support	1
T	Left side panel	1

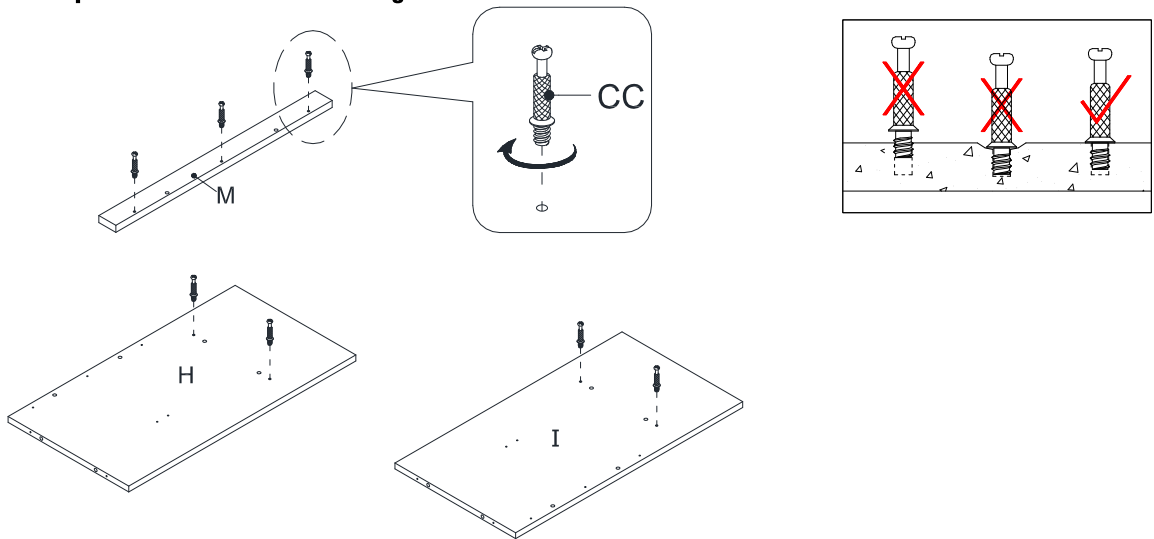
Assembly

1 Screwing the cam bolts



NOTE: Do not fully tighten all bolts until you finish assembling all parts. Once assembled, go back and fully tighten all bolts. This will make the assembly easier.

- Unpack the unit and confirm that you have all the hardware and required parts. Assemble the unit on a carpeted floor or the empty carton to avoid any scratches.
- Securely screw the cam bolts (CC) into the designated small holes on the partition panels (H and I) and middle crossbar (M) using a Phillips screwdriver. Do Not overtighten the cam bolts.

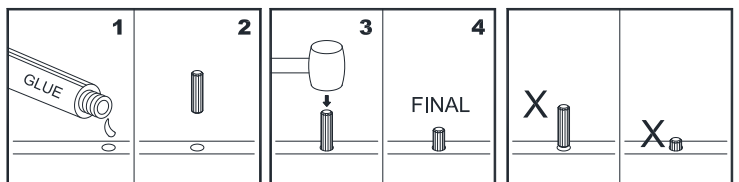


2 Gluing the wood dowels

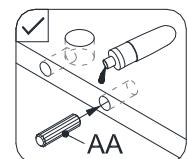
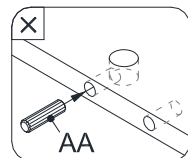
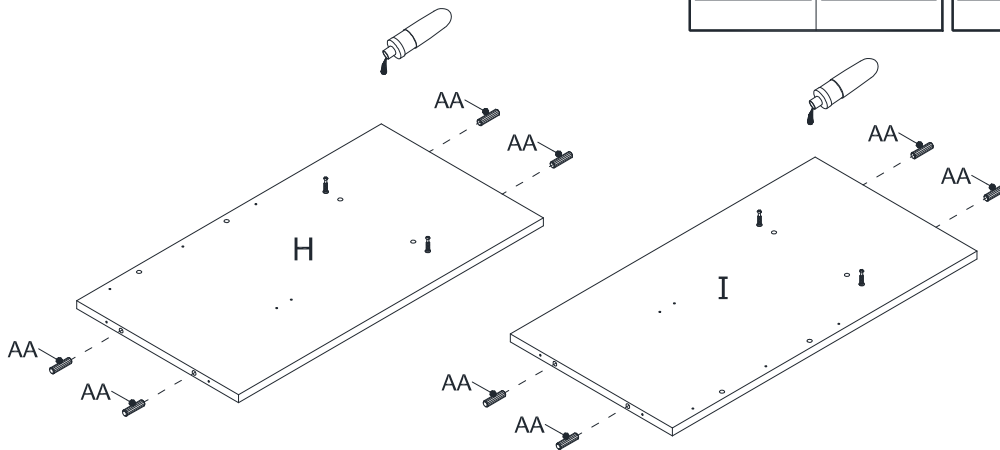


NOTE: Refer to the dowel assembling guide drawings in this step for further clarification on how to properly glue in the wooden dowels. Apply this method whenever instructed to install wood dowels.

- Glue the wood dowels (AA) into the inner holes on the partition panels (H and I) as shown.



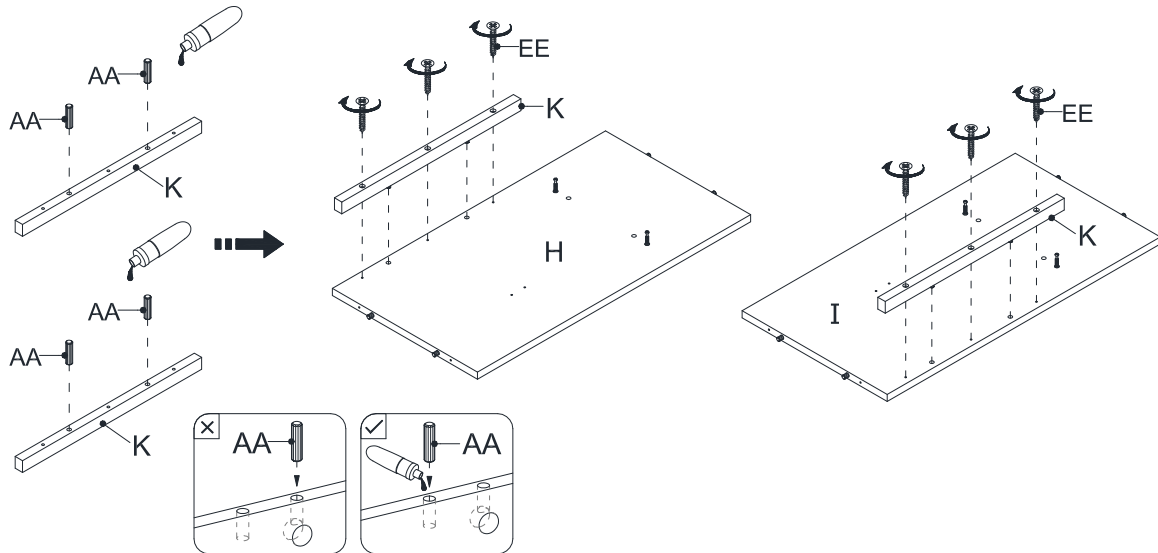
The dowel assembling guide



Assembly (continued)

3 Attaching the middle stiles

- Glue two wood dowels (AA) into the inner holes of each middle stile (K).
- Fasten the middle stiles (K) to the partition panels (H and I) with three medium flat head screws (EE) respectively.

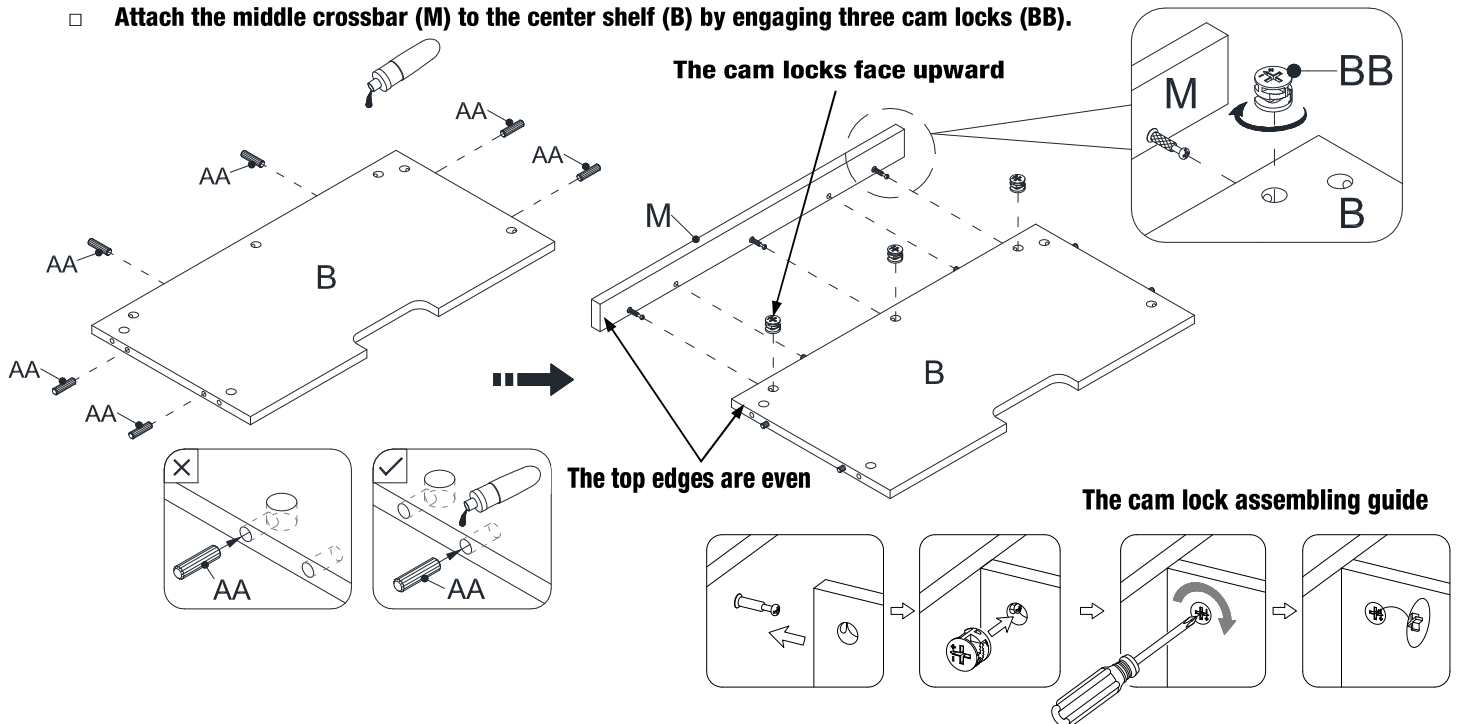


4 Attaching the middle crossbar



NOTE: Refer to the cam lock assembling guide drawings in this step for further clarification on how to properly install cam locks. Apply this method whenever instructed to install cam locks.

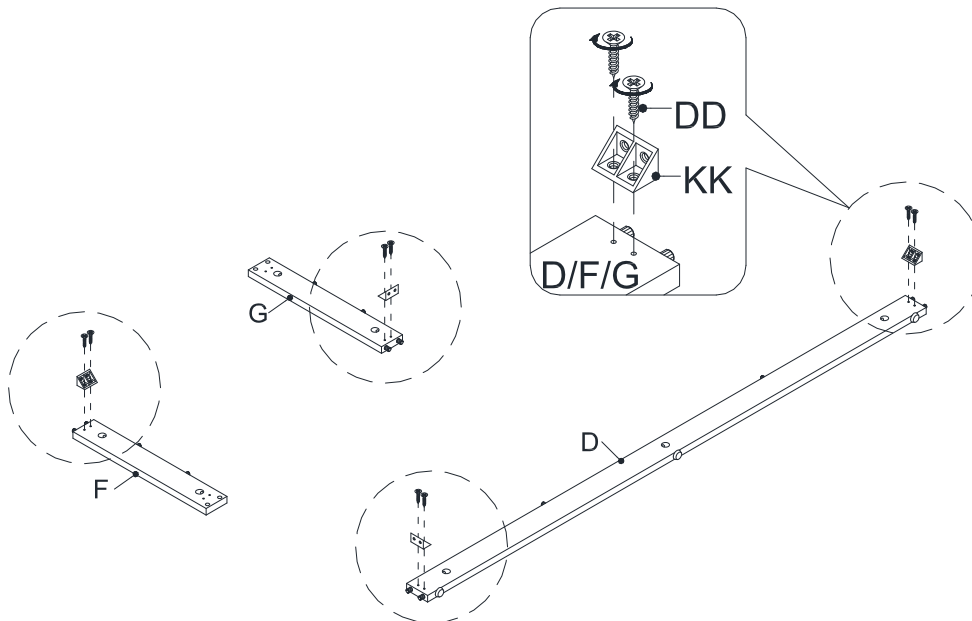
- Glue six wood dowels (AA) into the inner holes on the center shelf (B).
- Attach the middle crossbar (M) to the center shelf (B) by engaging three cam locks (BB).



Assembly (continued)

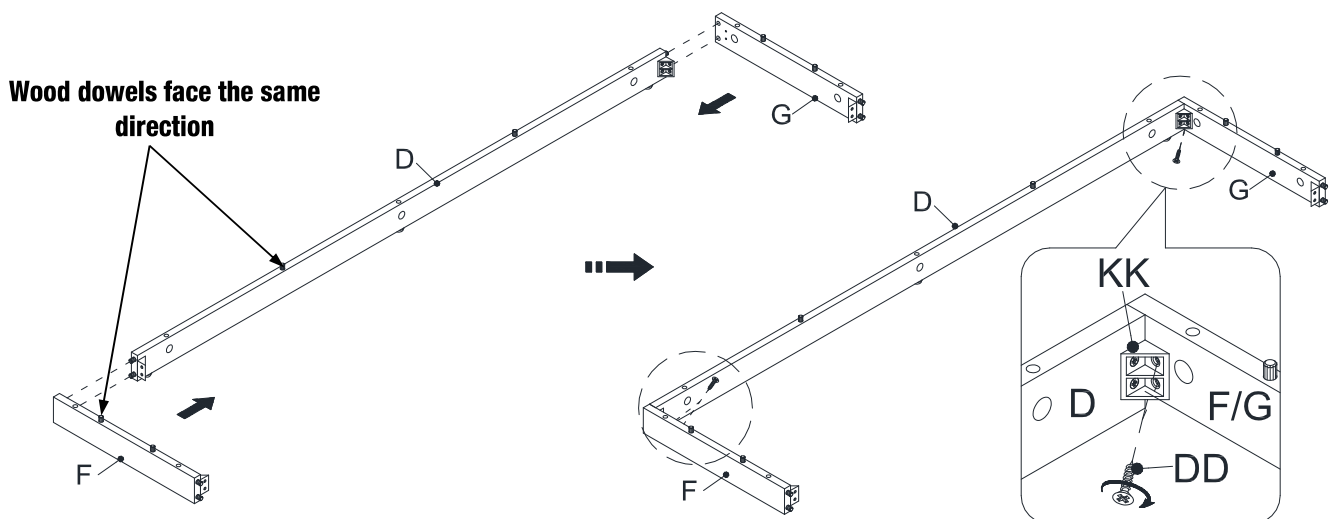
7 Installing the plastic brackets

- Using the pilot holes as a guide, fasten one plastic bracket (KK) to the end of each side support (F and G) with two short flat head screws (DD). Make sure that the right angle side is flush with the short end and running against the wood dowels.
- Repeat the same step to fasten two plastic brackets (KK) to the bottom back support (D).



8 Attaching the bottom back support

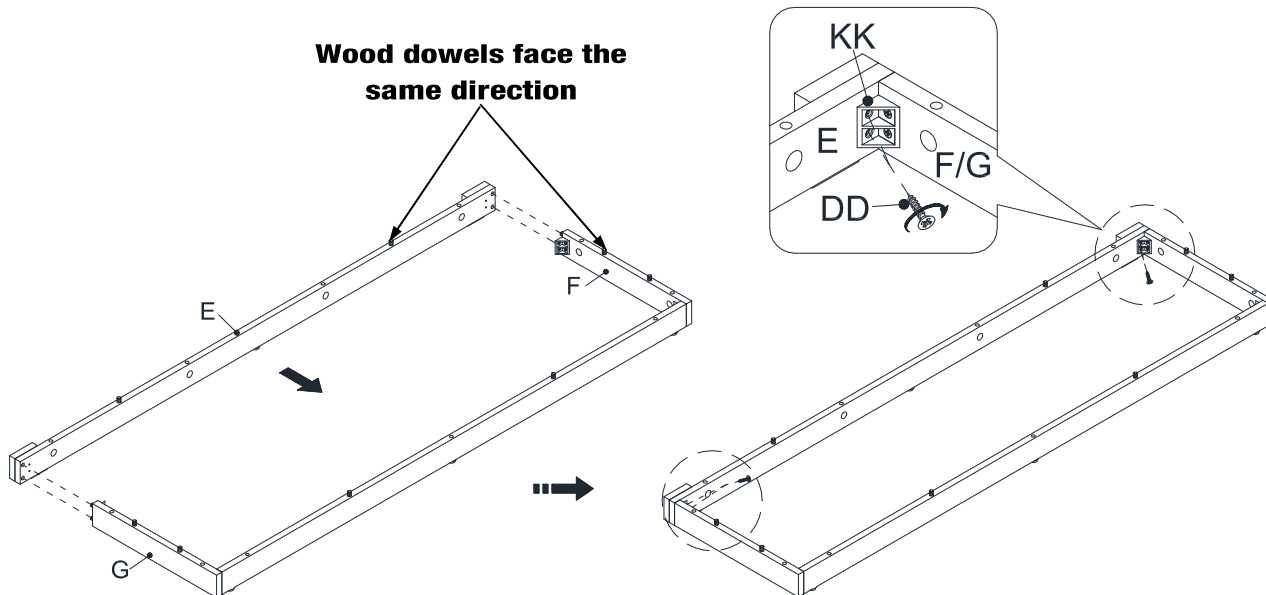
- Attach the bottom back support (D) between the side supports (F and G) and fasten the plastic bracket (KK) into place with four short flat head screws (DD).



Assembly (continued)

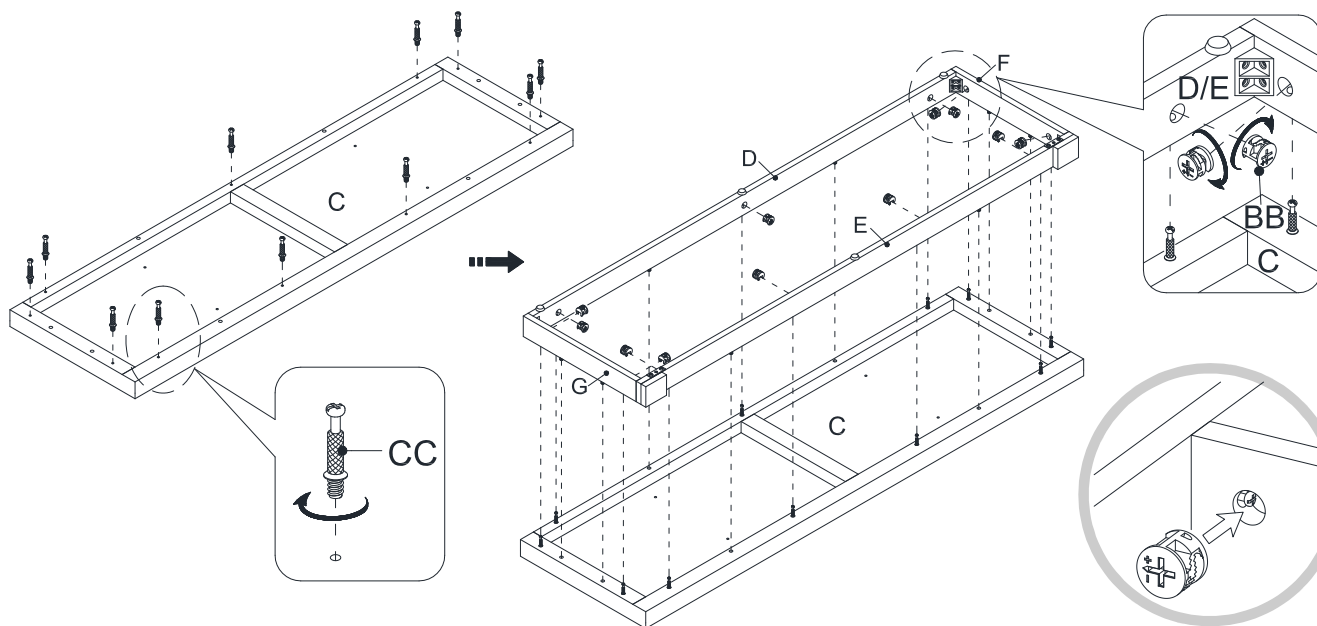
9 Attaching the bottom front support

- Press the bottom front support (E) to the bottom side supports (F and G) and fasten it into place with four short flat head screws (DD).



10 Attaching the base

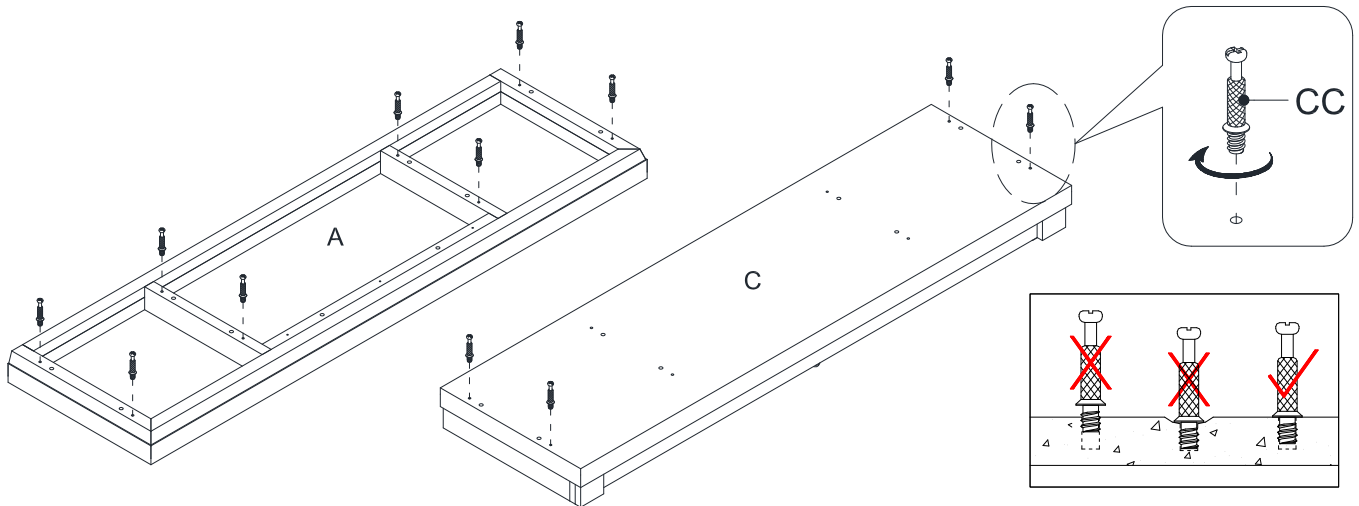
- Securely screw the cam bolts (CC) into the designated small holes on the bottom side of bottom panel (C) using a Phillips screwdriver.
- Attach the assembled base to the bottom panel (C) by engaging eleven cam locks (BB).



Assembly (continued)

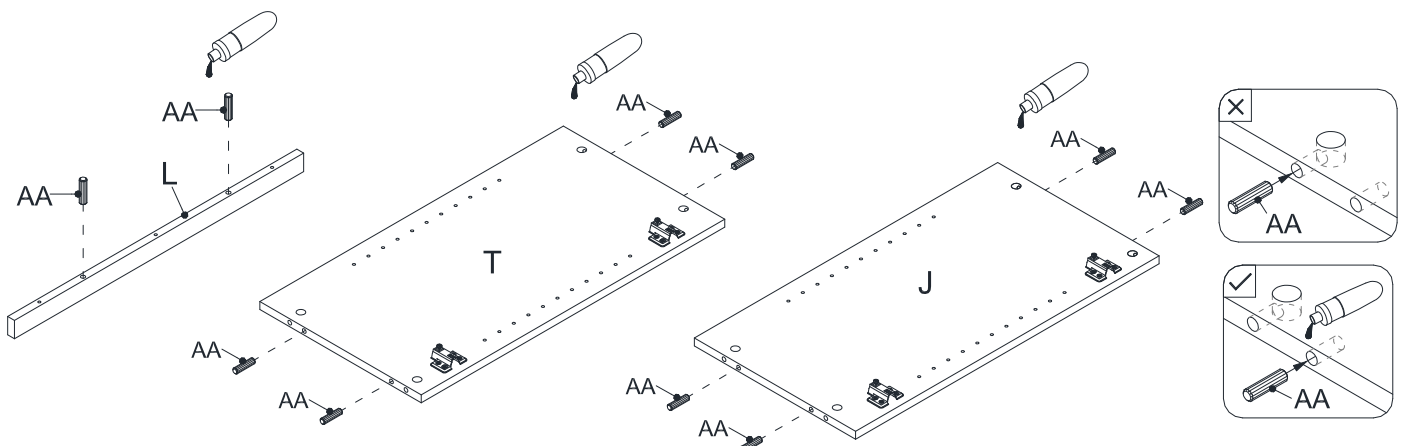
11 Screwing the cam bolts

- Securely screw the cam bolts (CC) into the designated small holes on the top panel (A) and bottom panel (C) using a Phillips screwdriver.



12 Gluing the wood dowels

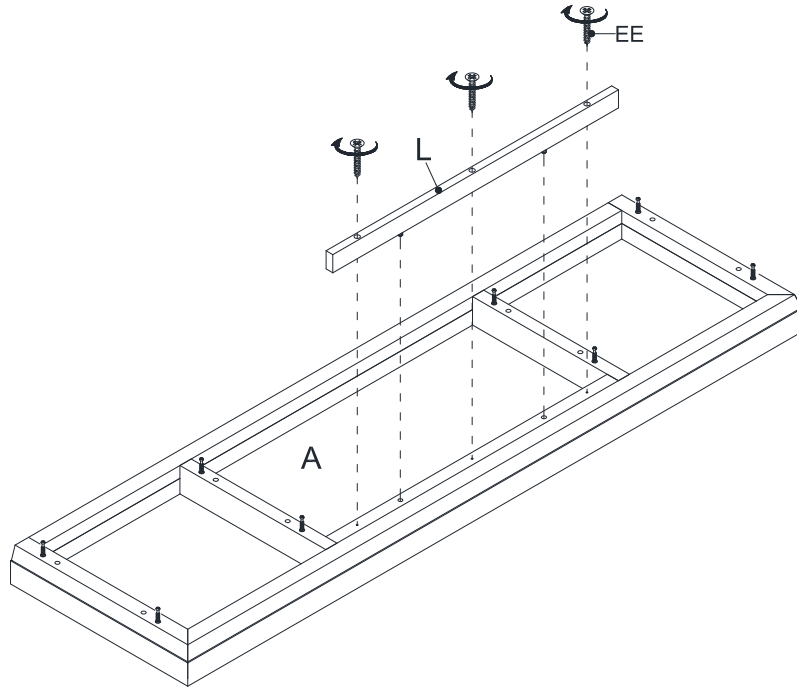
- Glue the wood dowels (AA) into the inner holes on the side panels (J and T) and top front molding (L) as shown.



Assembly (continued)

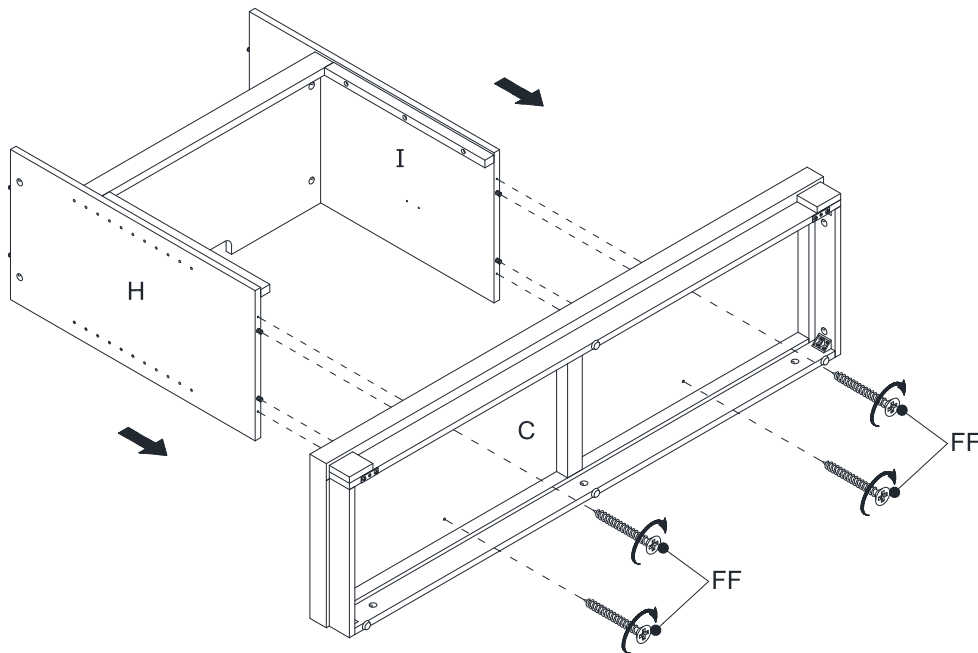
13 Attaching the top front molding

- Align and attach the top front molding (L) to the top panel (A) with three medium flat head screws (EE).



14 Attaching the bottom panel

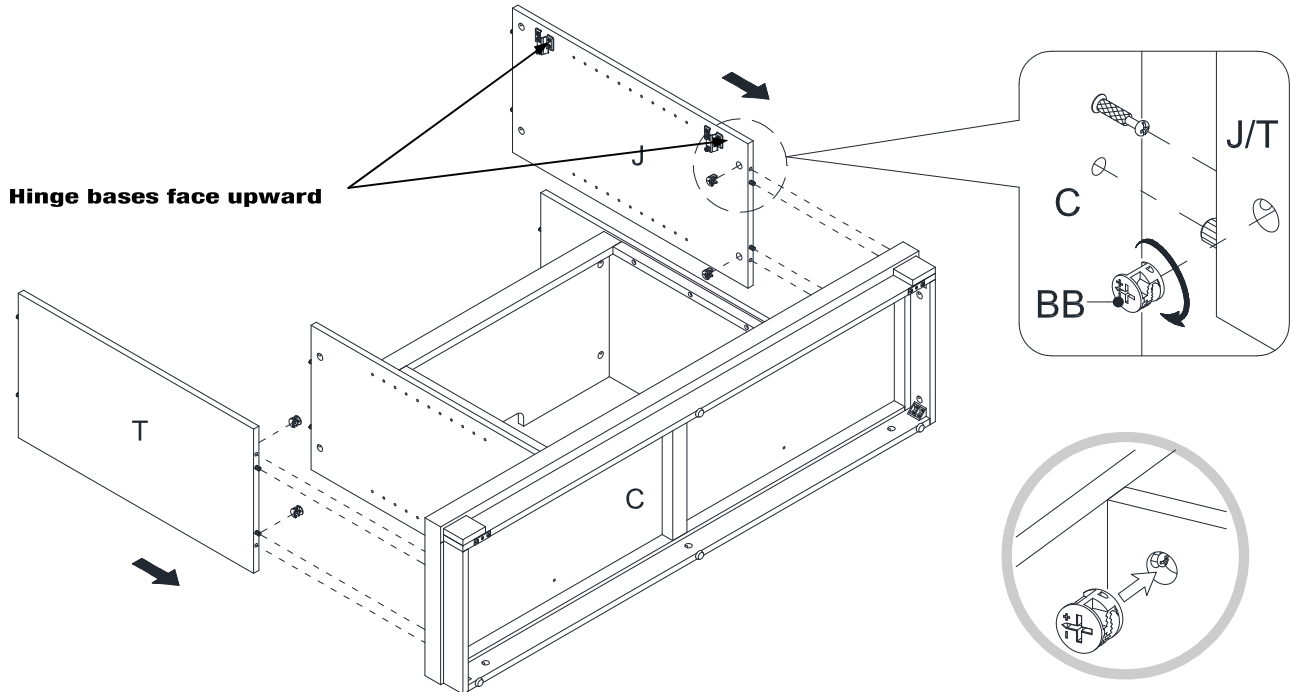
- Using the wood dowels as guide, firmly press the assembled partition panels (H and I) to the bottom panel (C) and fasten them with four long flat head screws (FF).



Assembly (continued)

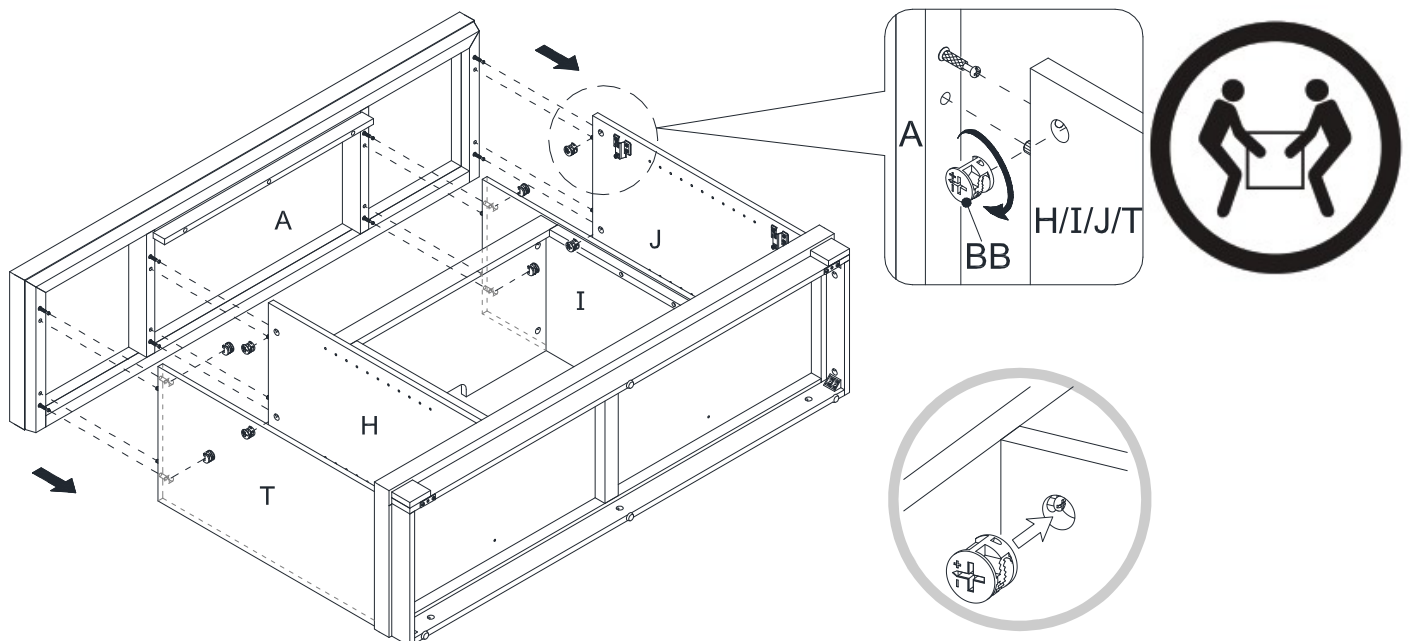
15 Attaching the side panels

- Attach the side panels (J and T) to the bottom panel (C) by engaging four cam locks (BB) as shown.



16 Attaching the top panel

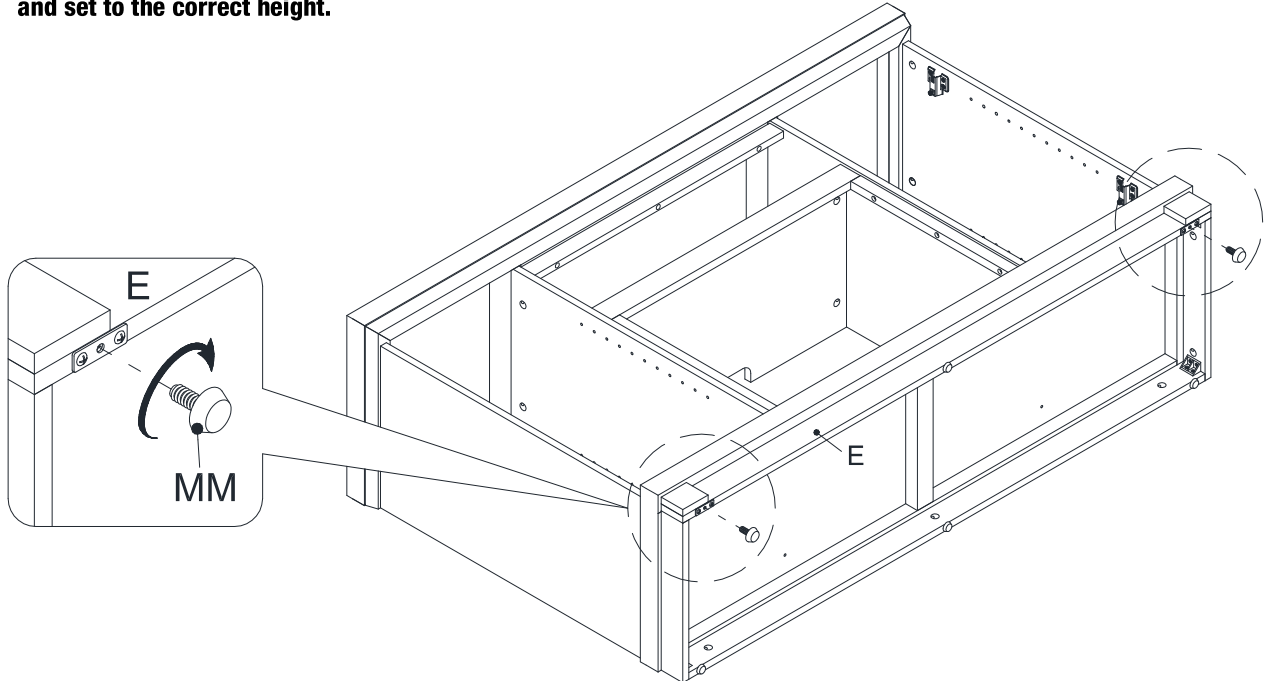
- Place the top panel (A) onto the inserted wood dowels (AA) on the vertical panels properly and fasten it in place by engaging eight cam locks (BB).



Assembly (continued)

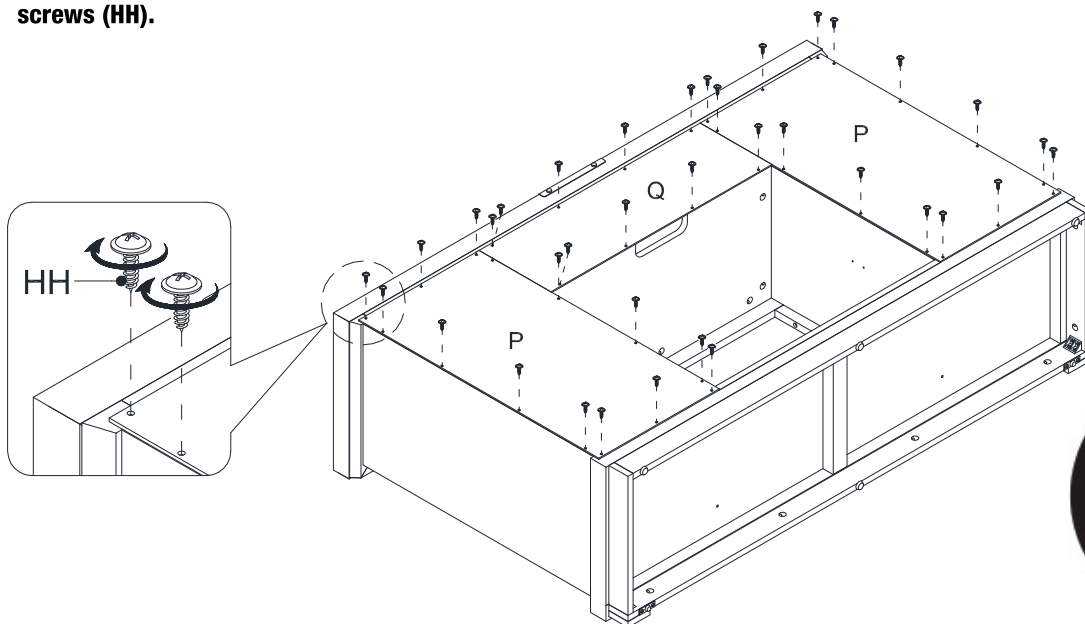
17 Installing the floor levelers

- Screw the floor levelers (MM) into the threaded holes on the pre-attached metal plates on the bottom front support (E) and set to the correct height.



18 Installing the back panels

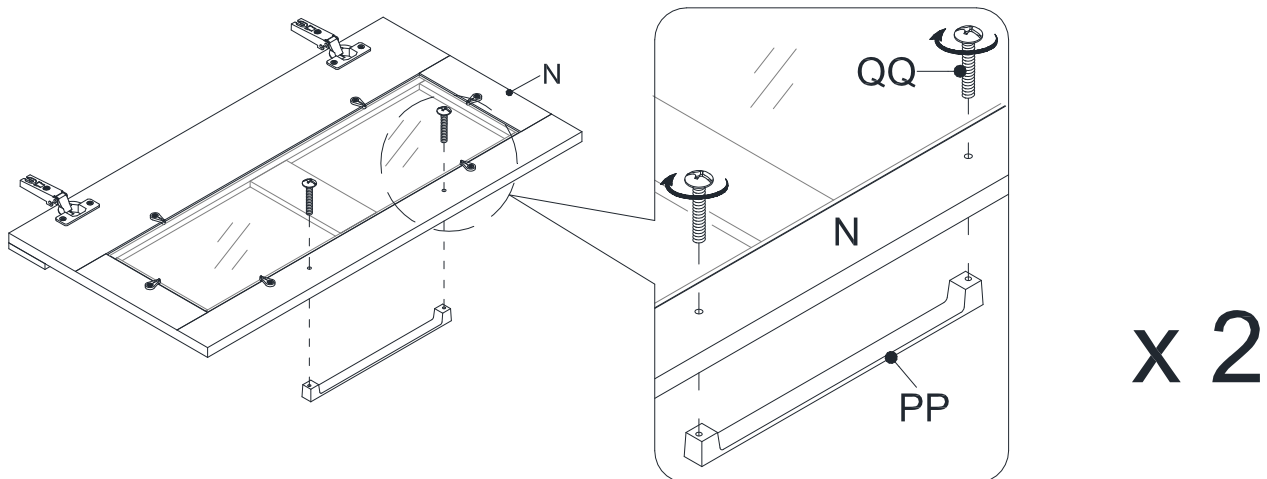
- Ask for assistance to flip around the previous assembly at its front edges.
- Pick up the middle back panel (Q) and align the pre drilled holes against the upper long edge of the pilot holes on the back of top panel (A), fasten it in place with the provided washer head screw (HH).
- Using the pilot holes as a guide, align and attach the side back panels (P) to the mantel frame with washer head screws (HH).



Assembly (continued)

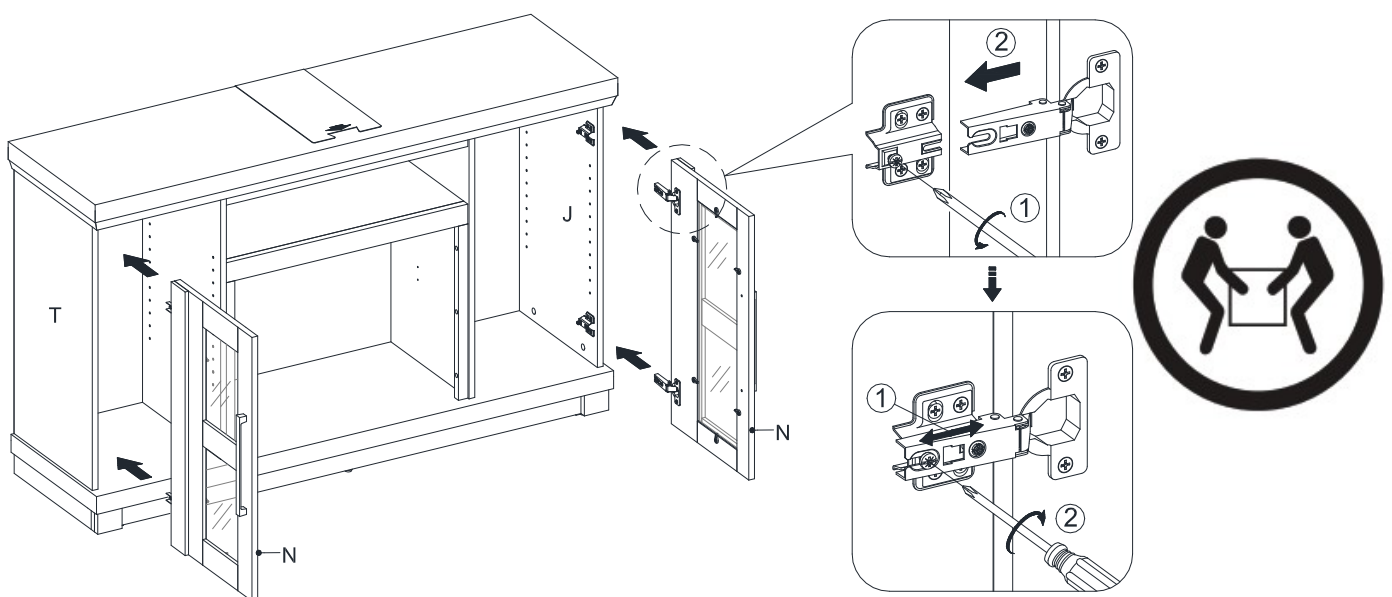
19 Installing the handles

- Attach one handle (PP) to the front side of each door with two handle bolts (QQ).



20 Attaching the door panels

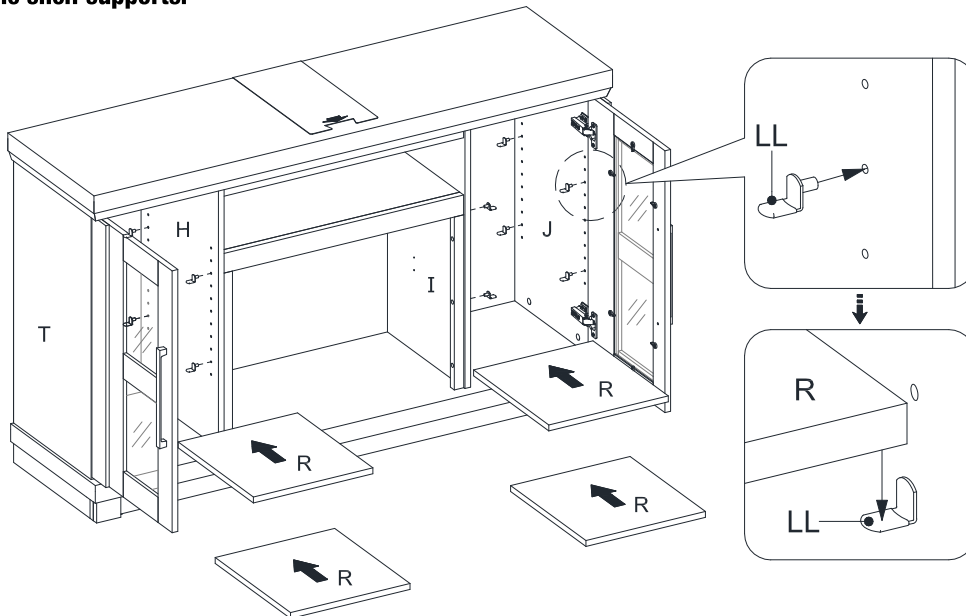
- Ask for assistance to lift the assembly unit upright and position it near the final location.
- Pick up the door panels (N) and attach the extended hinge arms to the hinge bases installed on the side panels (J and T). Loosen the bolt on the back of hinge base for an easy fit. Align and insert the “U” slot on hinge arm under the bolt head on the back of hinge base. Make sure that both door hinges engage and function properly. Tighten the bolt on the hinge base to lock the hinges in place.
- Open and close the doors to make sure they are aligned and shut correctly. If necessary, adjust the screws for a good fit. Refer to the hinge sticker on door for adjustment.



Assembly (continued)

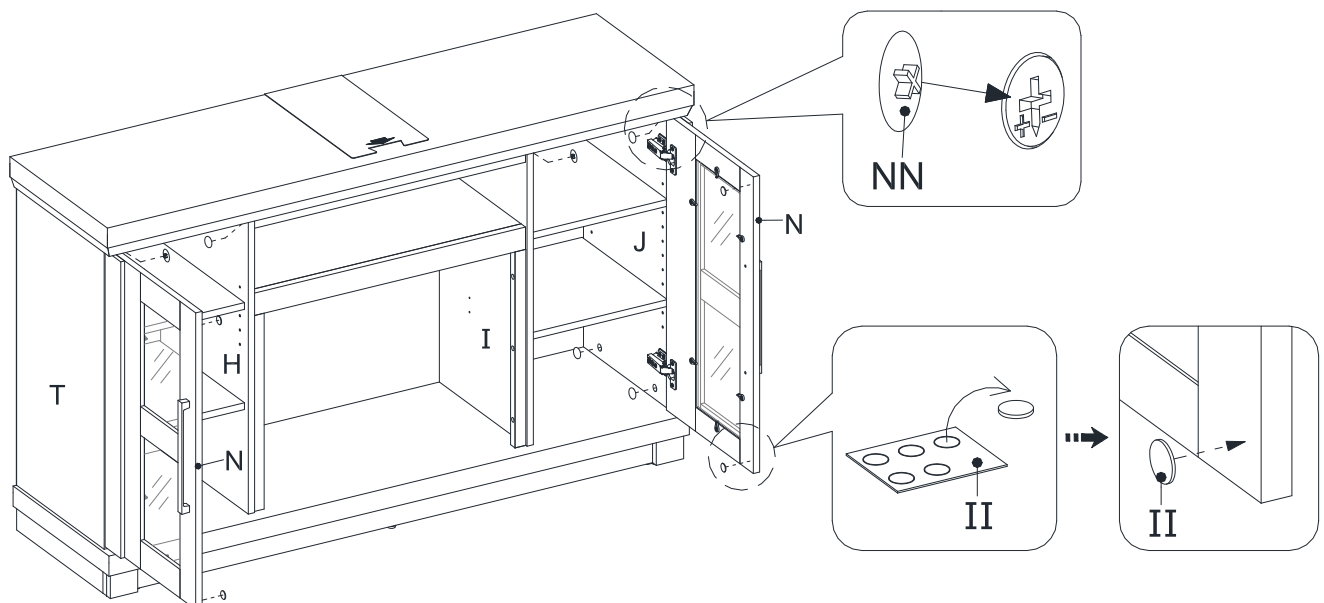
21 Attaching the adjustable shelves

- Open the doors (N) and insert eight shelf supports (LL) in the holes at the desired height inside each side compartment. Make sure you place the four shelf supports in the same level so the shelf is not tilted. Tilt and rest the adjustable shelves (R) onto the shelf supports.



22 Plugging the cam covers

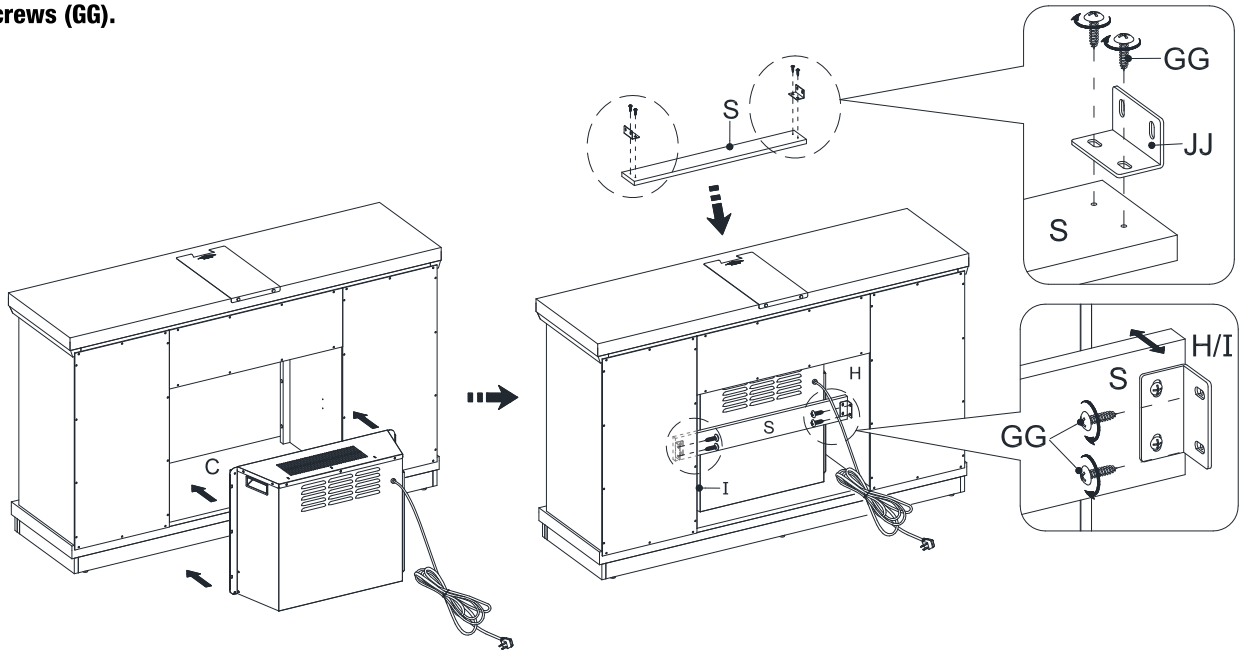
- Plug the cam lock covers (NN) onto the visible cam locks to conceal the cams.
- Stick the rubber bumpers (II) on the outer corners of doors where meet the partition panels (H and I).



Assembly (continued)

23 Installing the fireplace insert

- Lift the fireplace insert carefully into the back of the assembled mantel and center it in the opening. **DO NOT** drag the insert across the bottom panel (C) as it may scratch the unit.
- Use the pilot holes as a guide, fasten two metal brackets (JJ) onto the firebox support (S) with four pan head screws (GG). Make sure that the right angle is flush with the short edge of firebox support (S).
- Use the pilot holes as a guide, fasten the firebox support (S) between the partition panels (H and I) with four pan head screws (GG).



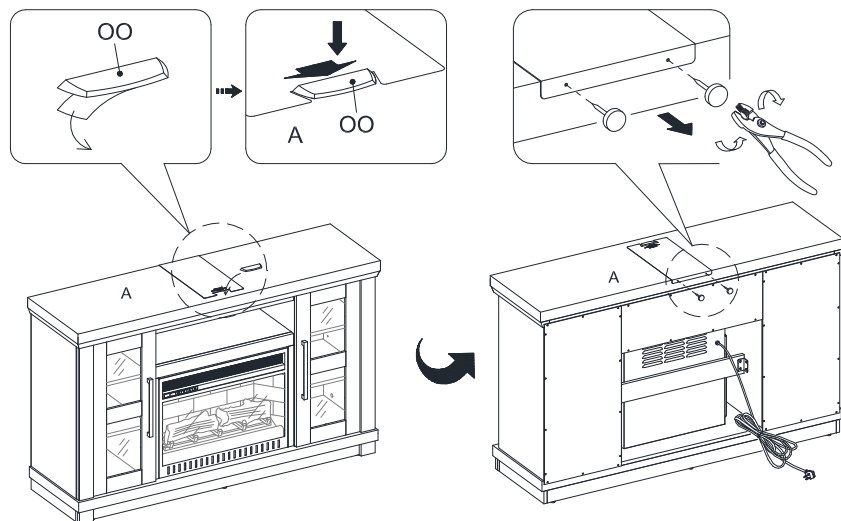
24 Installing the acrylic stopper

- Remove the paper backing of acrylic stopper (00), then properly align the acrylic stopper into the cutout on the acrylic stopper template on the front of the top panel (A). Press down on the acrylic stopper to help adhesion.



NOTE: To prevent your TV from tipping, you must install the acrylic TV stopper if you place a flat panel television on the top panel. Otherwise, skip to next step.

- At the back of top panel (A), grip the heads of plastic tacks with pliers, with twisting motion pull tacks loose to remove the acrylic stopper template.



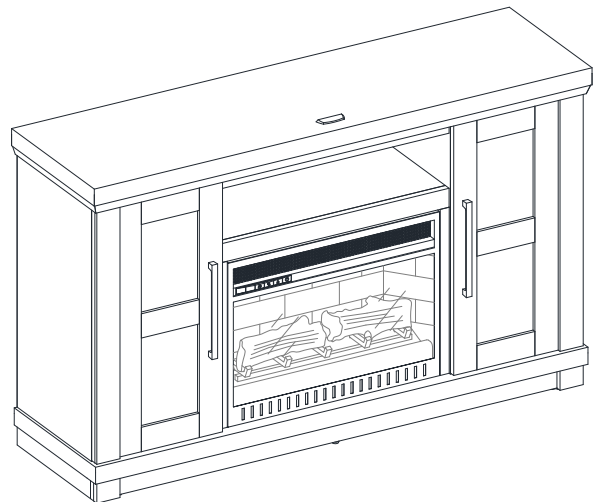
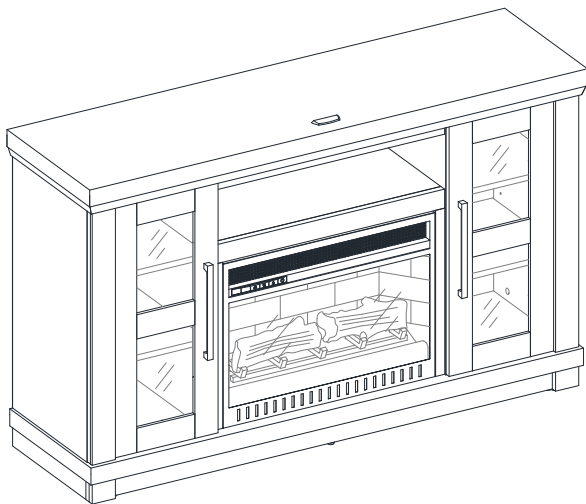
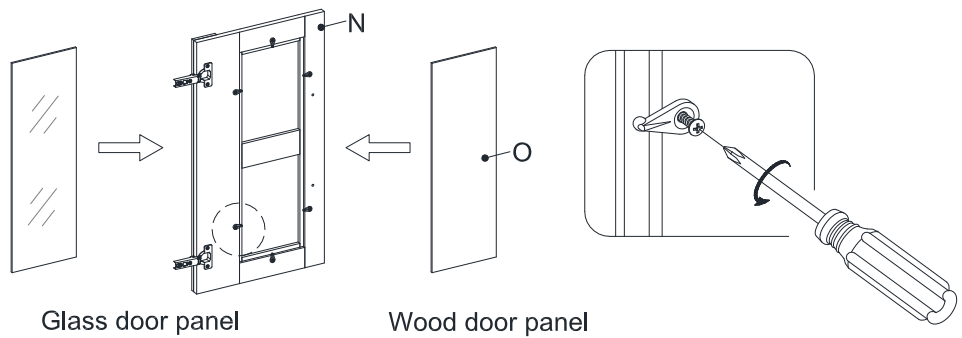
Assembly (continued)

25 Interchanging the wood door panels

- To change door panels, loosen the screws on the inside of the door and rotate the clips to remove the panel. Replace with the desired panel, then rotate clips to secure the panel within the door frame and tighten screws.



NOTE: The glass door panels are pre-attached when shipping. You can keep as is or interchange as the desired configuration.



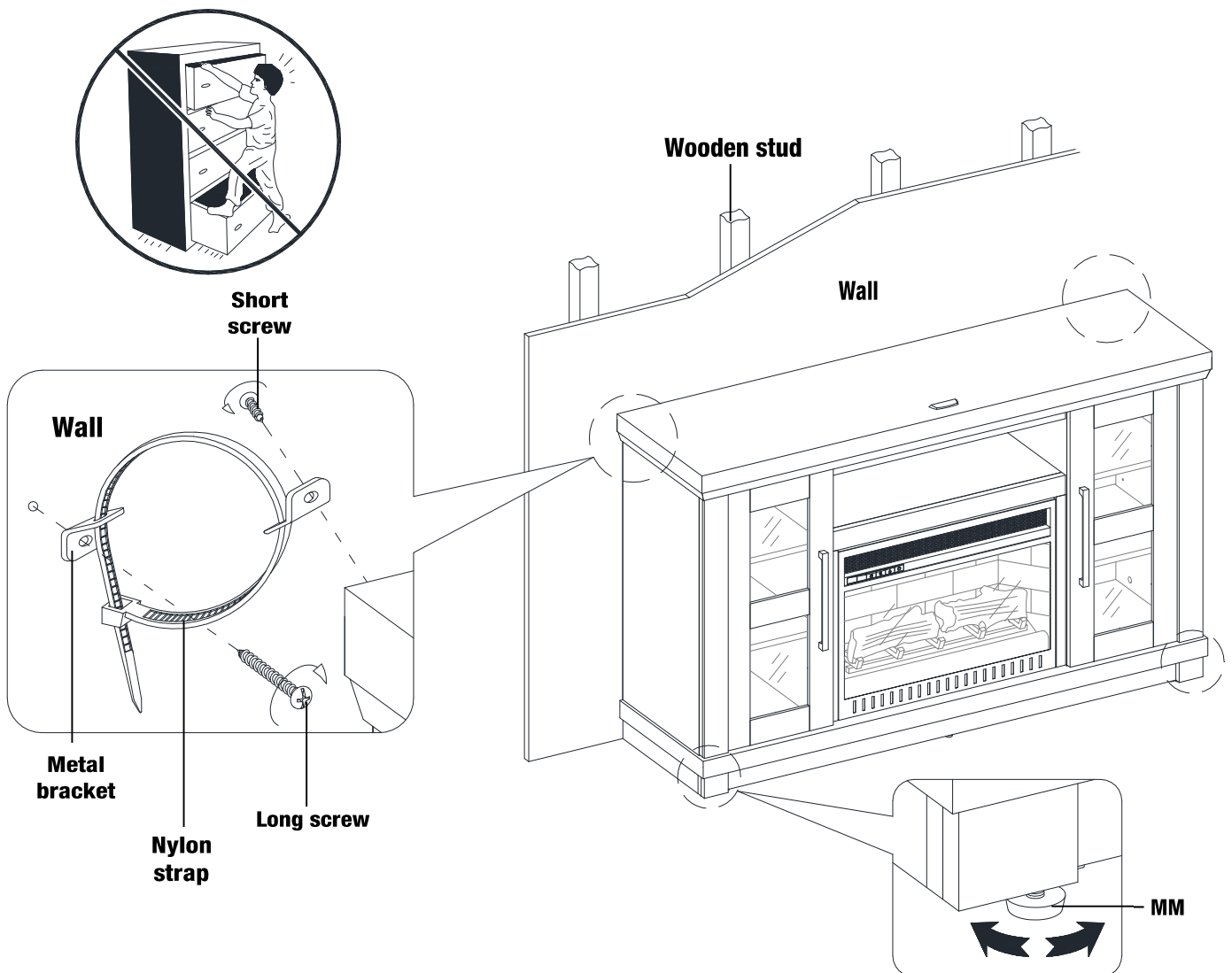
Assembly (continued)

26 Installing the tipping restraint hardware



WARNING: Young children can be seriously injured by tipping furniture. You must install the tipping restraint hardware with the unit to prevent the unit from tipping, causing any accidents or damage. The tipping restraints are intended only as a deterrent, they are not a substitute for proper adult supervision. The tipping restraints are not earthquake restraints. If you wish to add the extra security of earthquake restraints, they must be purchased and installed separately.

- With assistance, position the assembled fireplace at the desired location against a wall. If necessary, adjust the installed floor levelers (MM) by hand to correct tilting and level the doors, until the unit is level.
- Follow the instructions printed on the plastic bag containing the tipping restraint hardware to attach the tip-over restraints to the unit and the wall.
- Connect the fireplace to the power transformer. Follow the operating manual for the electric fireplace insert to control your fireplace.



Care and Maintenance

A touch-up pen has been provided to minimize the small nicks or scratches that may occur during assembly or shipping.

To clean and care for your furniture:

- Use a soft, clean cloth that will not scratch the surface when dusting.
- Use of furniture polishes is not necessary. Should you choose to use polishes, test first in an inconspicuous area.
- Using solvents of any kind on your furniture may damage the finish.
- Never use water to clean your furniture as it may cause damage to the finish.
- Always use coasters under beverage glasses and flowerpots.
- Liquid spills should be removed immediately. Using a soft clean cloth, blot the spill gently. Avoid rubbing.
- Always use protective pads under hot dishes and plates. Heat can cause chemical changes that may create spotting within the furniture finish.
- In the event that your furniture is stained or otherwise damaged during use, we recommend that you call a professional to repair your furniture.
- Check bolts/screws periodically and tighten them if necessary.

CARING FOR WOOD FURNITURE

It is best to keep your furniture in a climate-controlled environment. Extreme temperature and humidity changes can cause fading, warping, shrinking and splitting of wood. It is advised to keep furniture away from direct sunlight as sun may damage the finish.

Proper care and cleaning at home will extend the life of your purchase. Following these important and helpful tips will enhance your furniture as it ages.

CLEANING THE FIREPLACE TRIM

Clean the metal trim using a soft cloth, slightly dampened with citrus oil based product and buff with a clean soft cloth. **DO NOT** use brass polish or household cleaners as these products will damage the metal trim. Citrus oil based products can be obtained at supermarkets or hardware stores.

HOME DECORATORS COLLECTION

**Questions, problems, missing parts? Before returning to the store,
call Home Decorators Collection Customer Service**

8 a.m. - 7 p.m., EST, Monday-Friday

9 a.m. - 6 p.m., EST, Saturday

1-800-986-3460

HOMEDEPOT.COM/HOMEDECORATORS

Retain this manual for future use.