

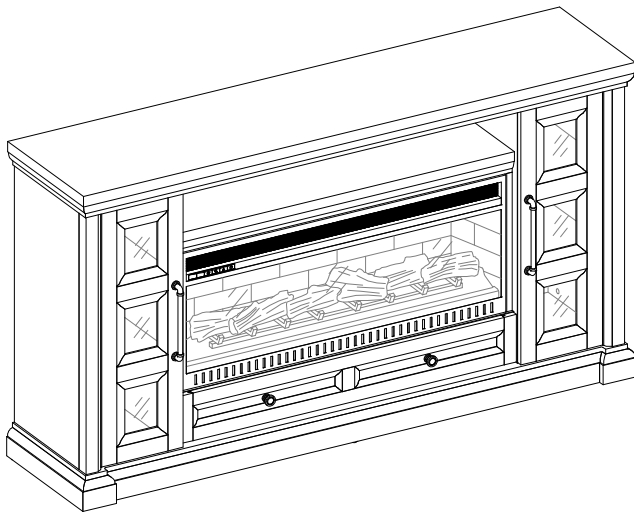
OMSID # 308824432
OMSID # 312727371

HOME
DECORATORS
COLLECTION

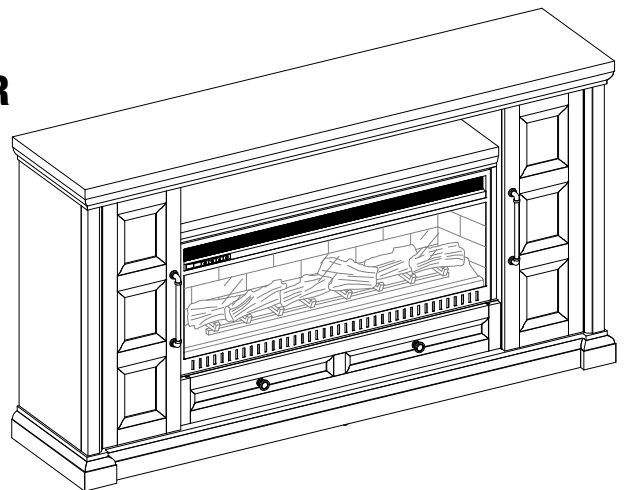
Model # HDFP72-44E
HDFP72-44AE

ASSEMBLY INSTRUCTIONS

Cecily 72in Media Console Infrared Electric Fireplace



OR



Questions, problems, missing parts? Before returning to the store,
call Home Decorators Collection Customer Service
8 a.m. - 7 p.m., EST, Monday-Friday
9 a.m. - 6 p.m., EST, Saturday

1-800-986-3460

HOMEDEPOT.COM/HOMEDECORATORS

THANK YOU

We appreciate the trust and confidence you have placed in Home Decorators Collection through the purchase of this fireplace console. We strive to continually create quality products designed to enhance your home. Visit us online to see our full line of products available for your home improvement needs. Thank you for choosing Home Decorators Collection!

Table of Contents

Table of Contents.....	2
Safety Information.....	2
Warranty	2
Pre-Assembly.....	2
Planning Assembly.....	2
Tools required	2

Hardware Included.....	3
Package Contents	4
Assembly.....	5
Care and Maintenance.....	16

Safety Information

Please read and understand these instructions before assembling and using this console. Save these instructions for future reference.

MAXIMUM RECOMMENDED WEIGHT LOADS



WARNING: This unit is not intended for use with CRT TVs. Use only with flat panel TVs and audio/video equipment meeting recommended size and weight limits. Never use with larger/heavier than recommended flat panel TVs or equipment. To avoid instability, place flat panel TV in the centre of the unit; the base of the television must be able to rest on the supporting surface of the unit without over-hanging the edges. Improperly positioned flat panel TVs, or flat panel TVs or other equipment that exceed recommended size and weight limits could fall off or break the unit, causing possible serious injury.

Warranty

We are confident that you will be delighted with this purchase. Should this product be defective in workmanship or materials, or fail under normal use, we will repair or replace it for a period of up to one (1) year from date of purchase.

This warranty gives you specific rights and you may also have other rights which vary from state to state.

Contact the Customer Service Team at 1-800-986-3460 or visit www.HomeDepot.com/homedecorators.

Pre-Assembly

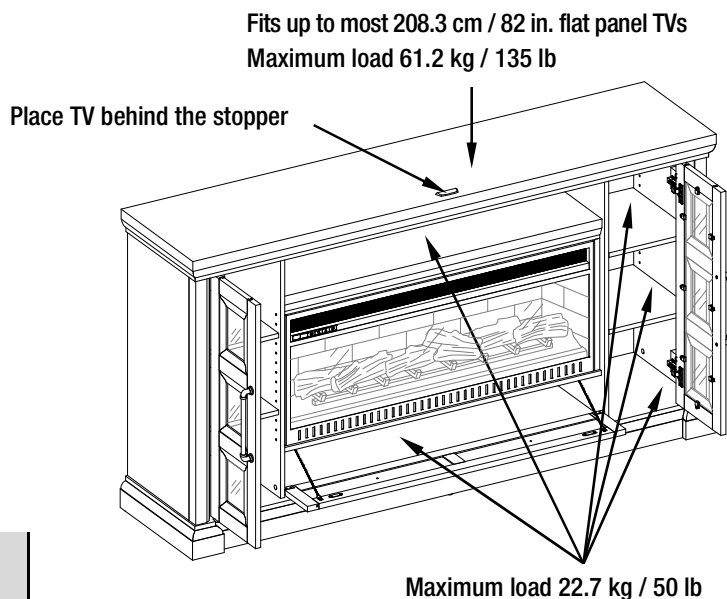
PLANNING ASSEMBLY

Compare all parts with the Hardware Included and Package Contents list. If any part appears missing or damaged, do not assemble this product and contact the Customer Service Team at 1-800-986-3460.

TOOLS REQUIRED



Phillips
screwdriver
(not provided)

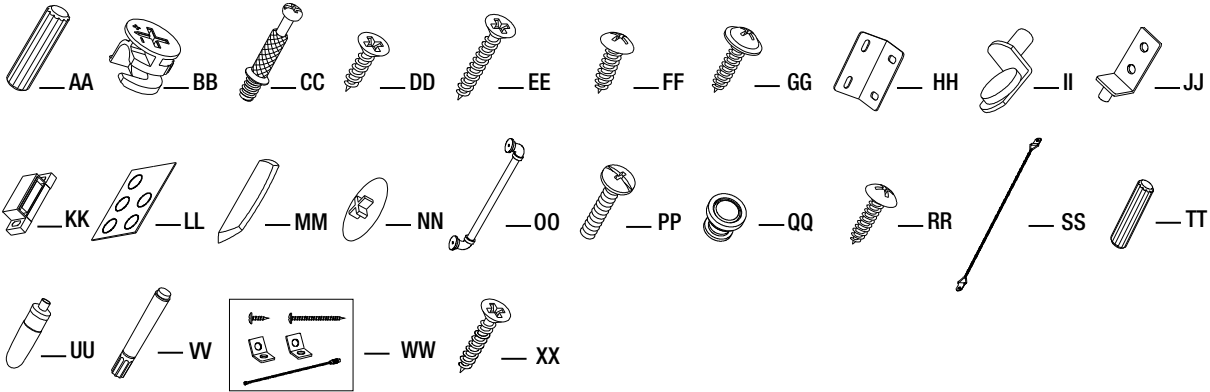


Pre-Assembly (continued)

HARDWARE INCLUDED



NOTE: Hardware not shown to actual size.

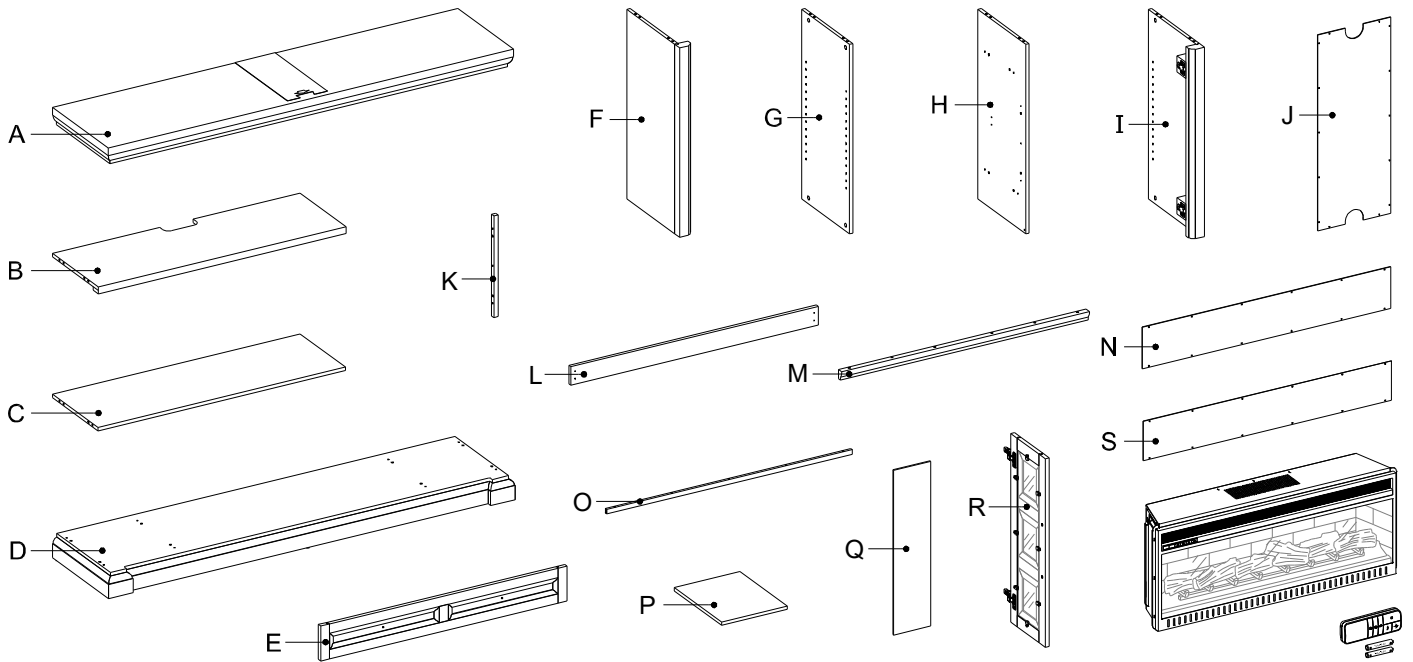


Part	Description	Quantity
AA	Large wood dowel	26+1 extra
BB	Cam lock	28+1 extra
CC	Cam bolt	28+1 extra
DD	Short flat head screw	16+1 extra
EE	Long flat head screw	5+1 extra
FF	Short pan head screw	16+1 extra
GG	Washer head screw	52+2 extra
HH	Metal bracket	2
II	Shelf support	16+1 extra
JJ	Pivot hinge	2
KK	Magnetic catch	2
LL	Rubber bumper	4+1 extra

Part	Description	Quantity
MM	Acrylic stopper	1
NN	Cam lock cover	16+1 extra
OO	Handle	2
PP	Bolt	6
QQ	Knob	2
RR	Long pan head screw	4+1 extra
SS	Chain	2
TT	Small wood dowl	4+1 extra
UU	Glue	1
VV	Touch-up pen	1
WW	Tipping restraint hardware kit	2
XX	Medium flat head screw	6+1 extra

Pre-Assembly (continued)

PACKAGE CONTENTS



Box 1

Part	Description	Quantity
	Fireplace insert	1
	Remote control with battery	1

Box 2

Part	Description	Quantity
F	Left side panel	1
G	Left partition panel	1
H	Right partition panel	1
I	Right side panel	1
P	Adjustable shelf	4
R	Door	2

Box 3

Part	Description	Quantity
A	Top panel	1
B	Upper fixed shelf	1
C	Lower fixed shelf	1
D	Base	1
E	Drop lid door	1
J	Side back panel	2
K	Middle stile	2
L	Fireplace insert support	1
M	Upper fixed shelf molding	1
N	Middle upper back panel	1
O	Lower fixed shelf support	1
Q	Wood door panel	2
S	Middle lower back panel	1

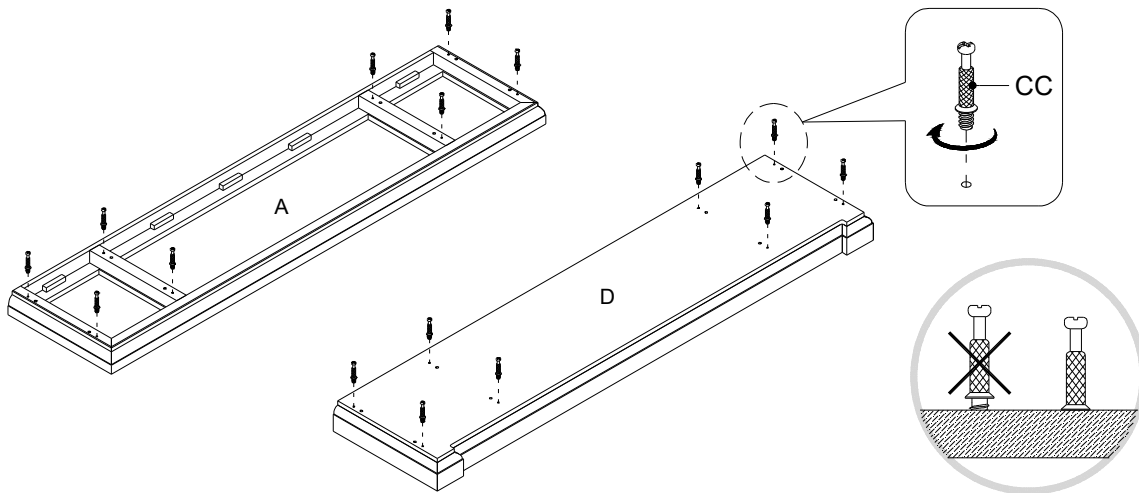
Assembly

1 Screwing the cam bolts



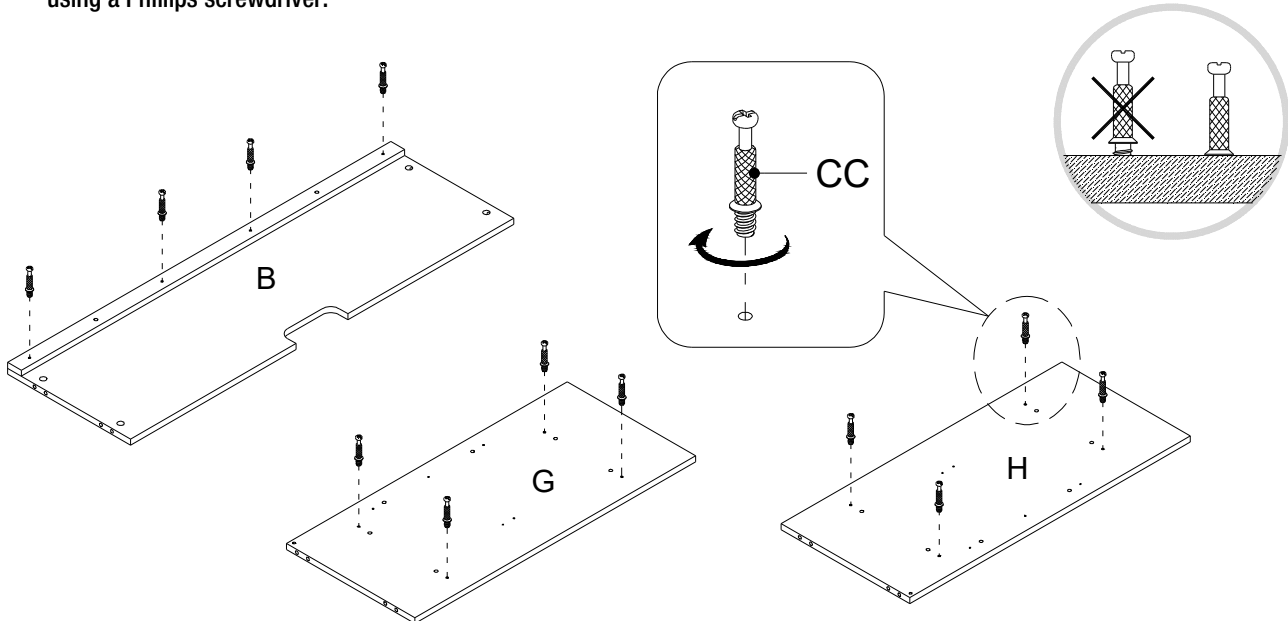
NOTE: Do not fully tighten all bolts until you finish assembling all parts. Once assembled, go back and fully tighten all bolts. This will make the assembly easier.

- Unpack the unit and confirm that you have all the hardware and required parts. Assemble the unit on a carpeted floor or the empty carton to avoid any scratches.
- Securely screw the cam bolts (CC) into the designated small holes on the top panel (A) and the base (D) using a Phillips screwdriver.



2 Screwing the cam bolts

- Securely screw the cam bolts (CC) into the designated small holes on the upper fixed shelf (B) and the partition panels (G and H) using a Phillips screwdriver.



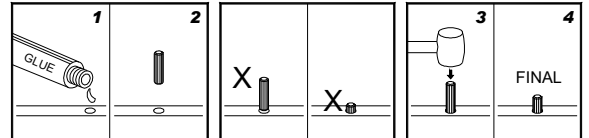
Assembly (continued)

3 Attaching the middle stiles

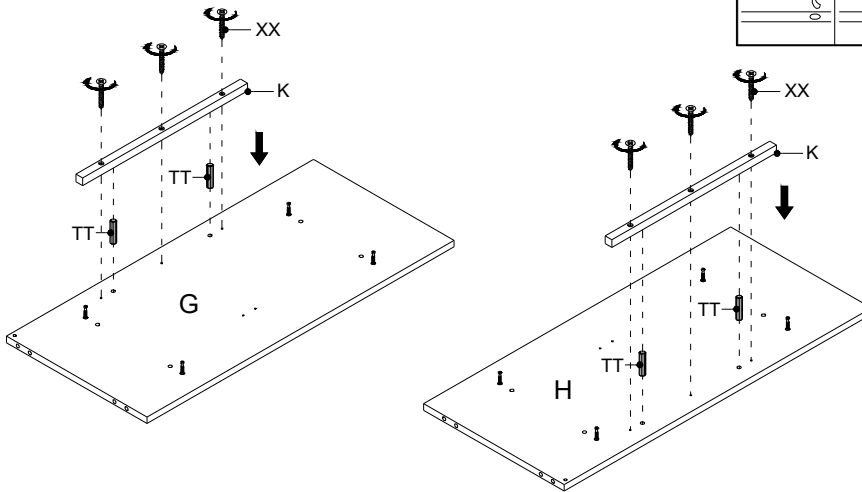


NOTE: Refer to the dowel assembling guide drawings in this step for further clarification on how to properly glue in the wooden dowels. Apply this method whenever instructed to install wood dowels.

- Glue two small wood dowels (TT) into the inner holes of one middle stile (K) and attach it to the left partition panel (G) with three medium flat head screws (XX).
- Repeat the same procedure to attach the other middle stile (K) to the right partition panel (H).



The dowel assembling guide

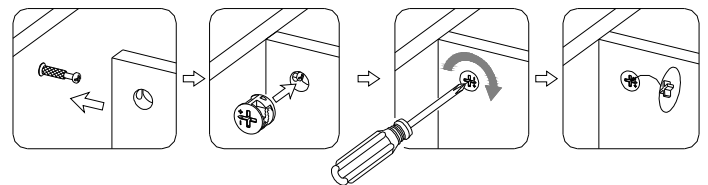
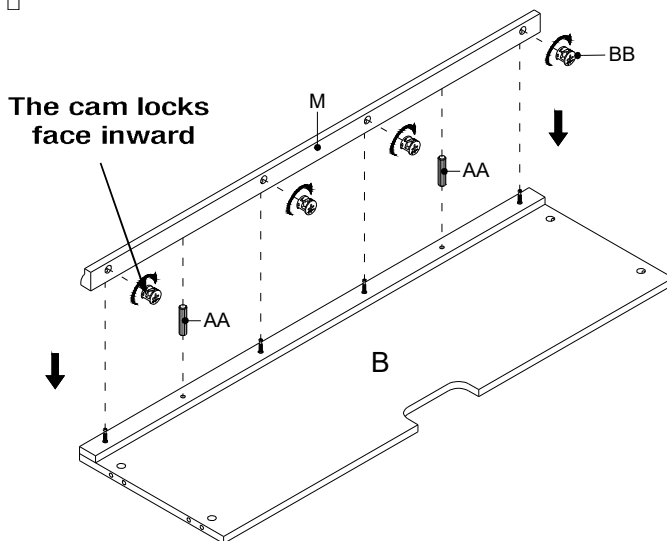


4 Attaching the upper fixed shelf molding



NOTE: Refer to cam lock assembling guide drawings in this step for further clarification on how to properly install cam locks. Apply this method whenever instructed to install cam locks.

- Glue two large wood dowels (AA) into the inner holes on the upper fixed shelf molding (M) and attach it to the upper fixed shelf (B) by engaging four cam locks (BB).
-

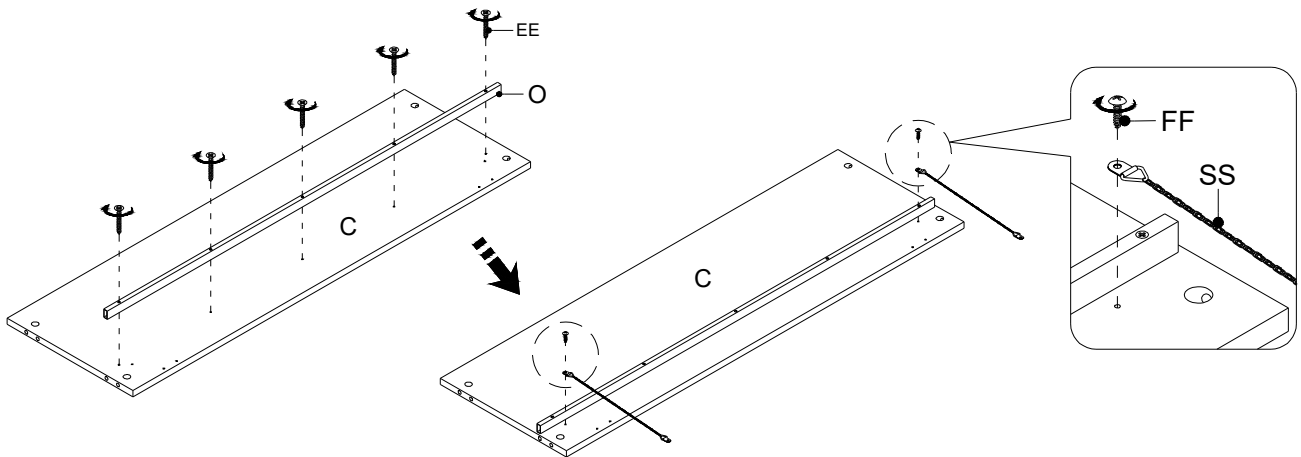


The cam lock assembling guide

Assembly (continued)

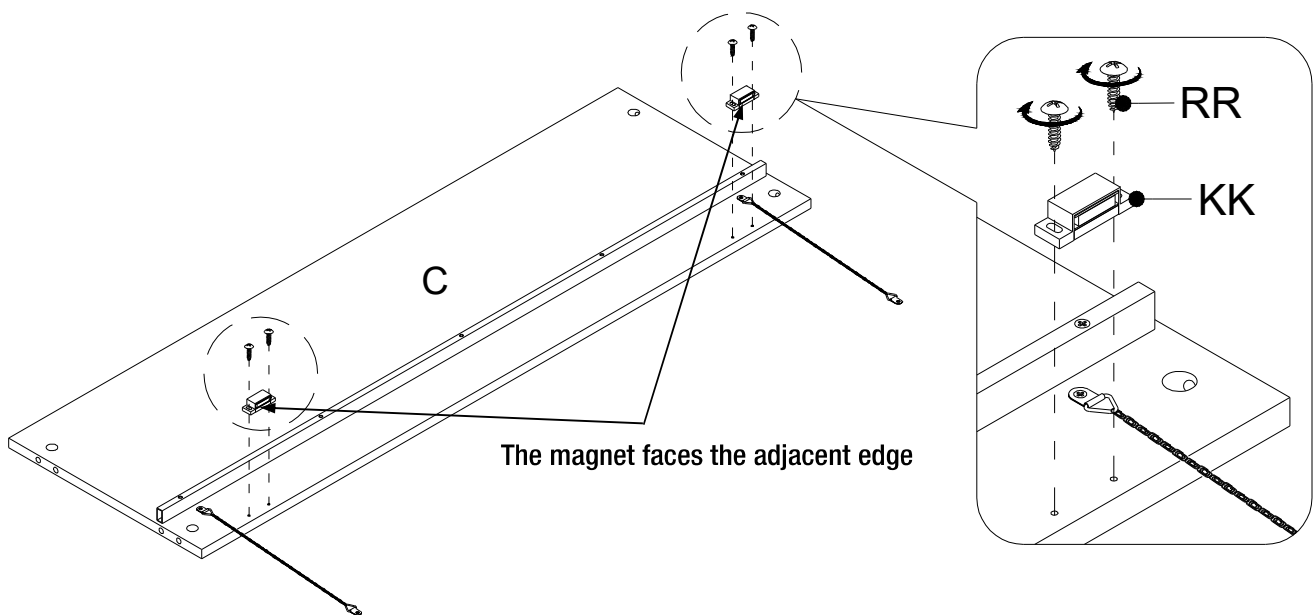
5 Attaching the lower fixed shelf support and the chain

- Using the pilot holes as a guide, attach the lower fixed shelf support (O) to the lower fixed shelf (C) with five long flat head screws (EE).
- Using the pilot holes as a guide, fasten two chains (SS) to the lower fixed shelf (C) with two short pan head screws (FF).



6 Attaching the magnetic catches

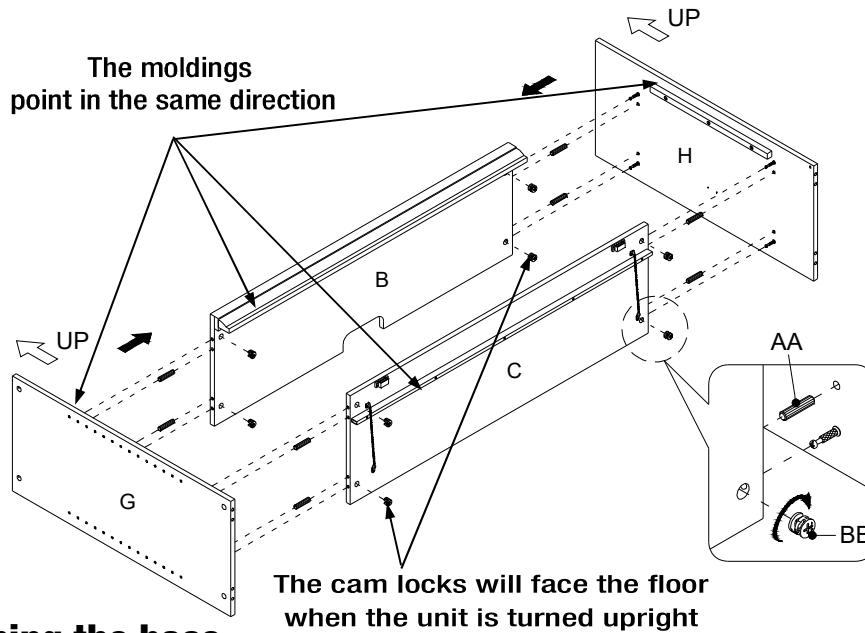
- Using the pilot holes as a guide, fasten two magnetic catches (KK) to the lower fixed shelf (C) with two long pan head screws (RR) in each. Make sure that the magnet faces outward.



Assembly (continued)

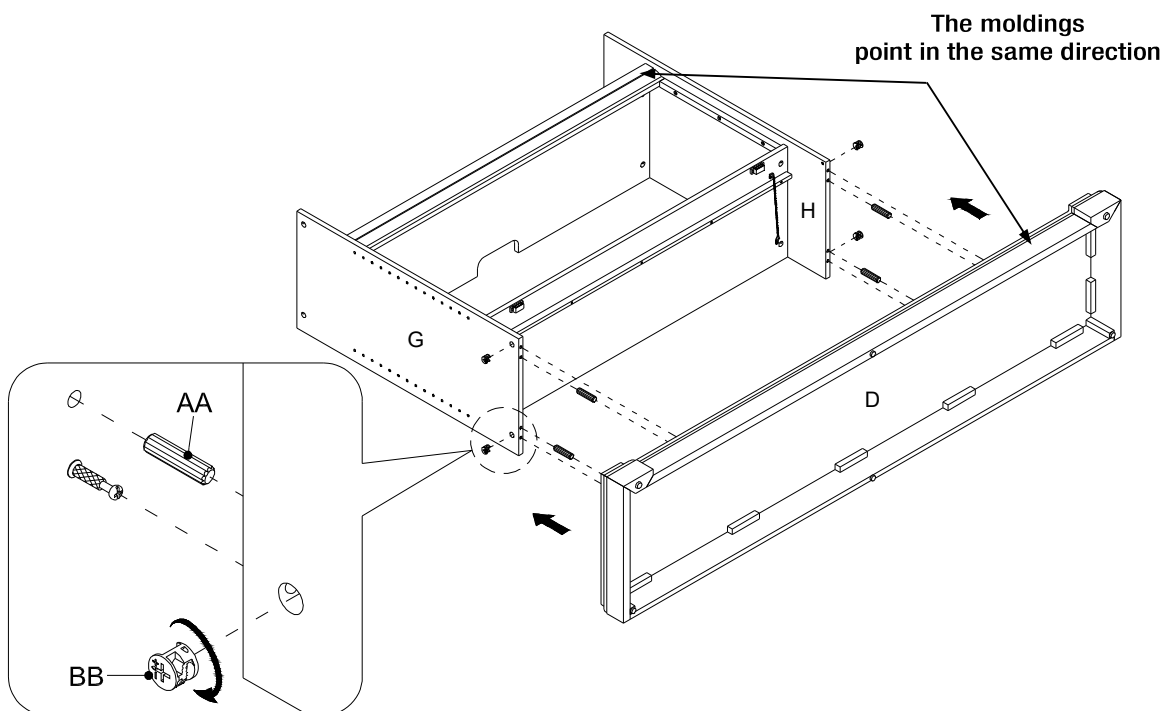
7 Attaching the partition panels

- Glue four large wood dowels (AA) into the inner holes of the fixed shelves (B and C) at both ends.
- Align the large holes on right partition panel (H) with the inserted wood dowels (AA) and press them together. Attach the partition panel (H) in place by engaging four cam locks (BB).
- Repeat the same procedure to attach the left partition panel (G) at the opposite end.



8 Attaching the base

- Align and attach the base (D) to the partition panels (G and H) with four large wood dowels (AA) and four cam locks (BB).

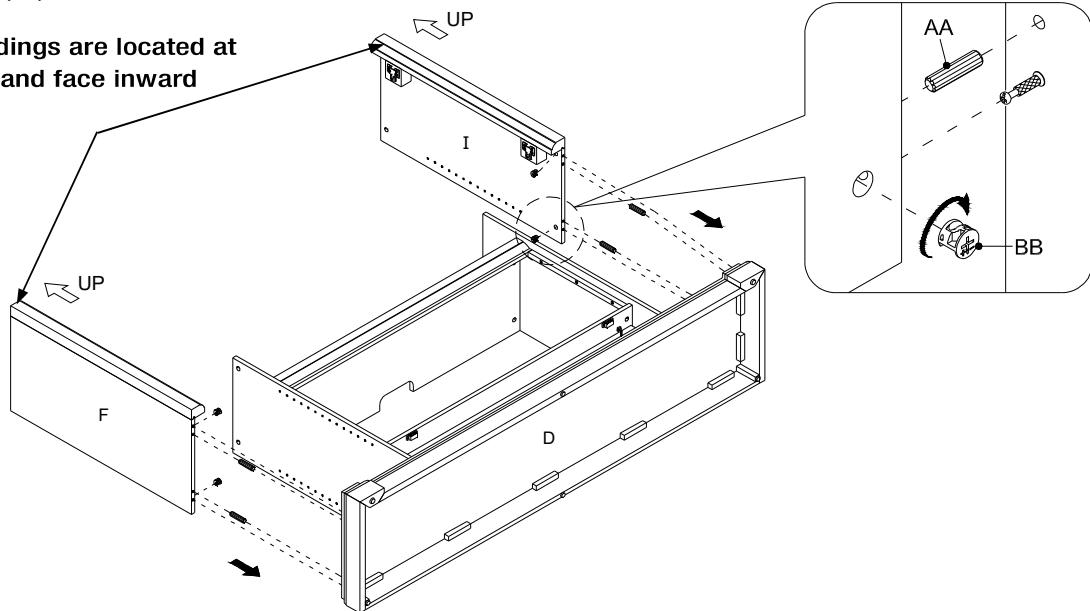


Assembly (continued)

9 Attaching the side panels

- Glue four large wood dowels (AA) into the inner holes on the side panels (F and I) and attach them to the base (D) by engaging four cam locks (BB).

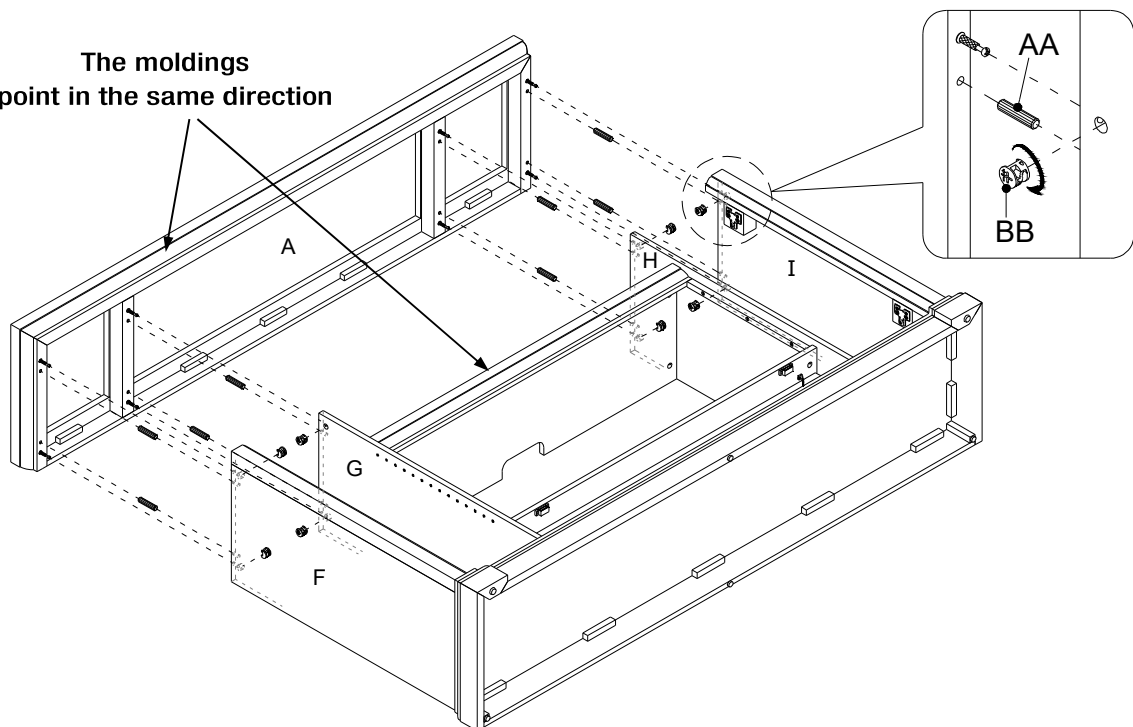
The moldings are located at front and face inward



10 Attaching the top panel

- Glue eight large wood dowels (AA) into the top inner holes on both side panel (F and I) and partition panels (G and H). Position the top panel (A) onto the inserted wood dowels (BB) and fasten it in place by engaging eight cam locks (BB).

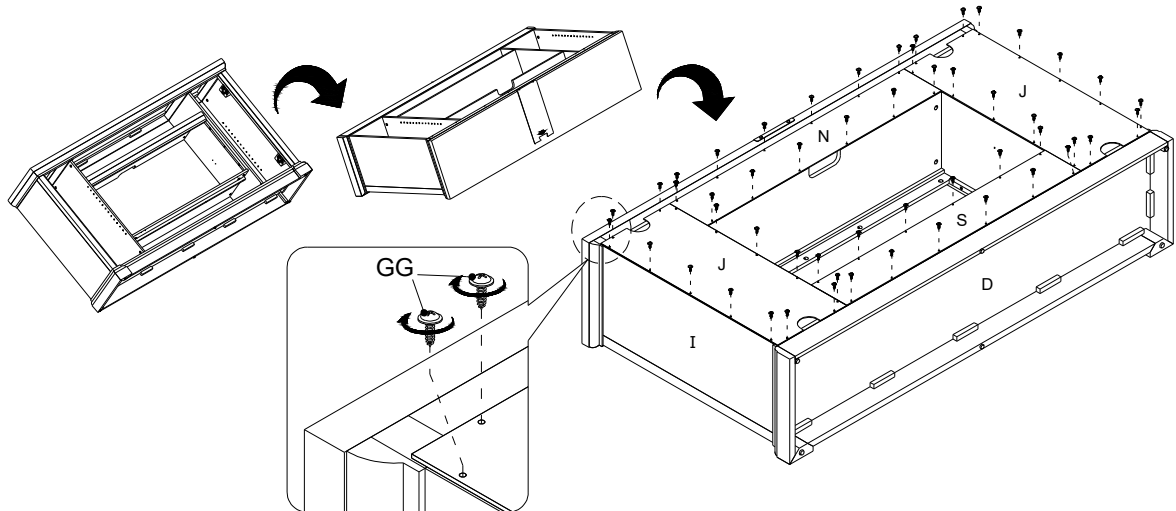
The moldings point in the same direction



Assembly (continued)

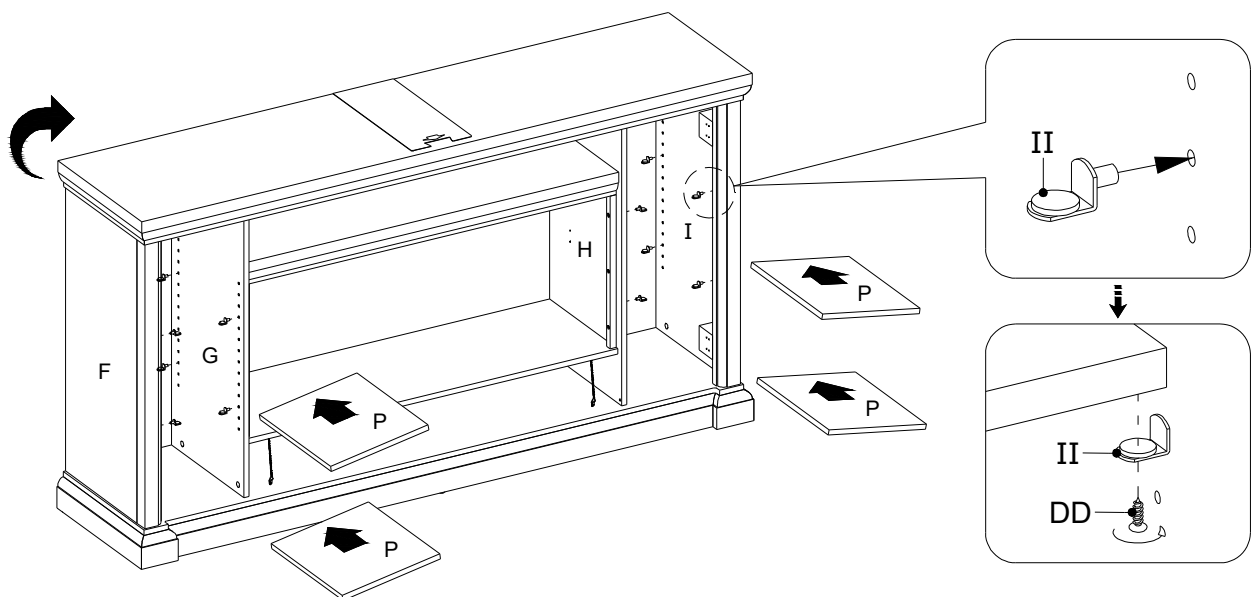
11 Attaching back panels

- Flip the assembled unit around at its front edges.
- Now, go back and securely tighten all the cam locks and screws. Make sure that all the parts are tight and there are no gaps between the parts. This will help keep the unit square.
- Pick up the middle upper back panel (N) and align the drilled holes against the long edge with the pilot holes on top back stretcher. Attach the middle upper back panel (N) in place using the provided washer head screws (GG).
- Using the pilot holes as a guide. Align and attach two side back panels (J) and middle lower back panel (S) to the back of the mantel with the provided washer head screws (GG).



12 Installing the adjustable shelves

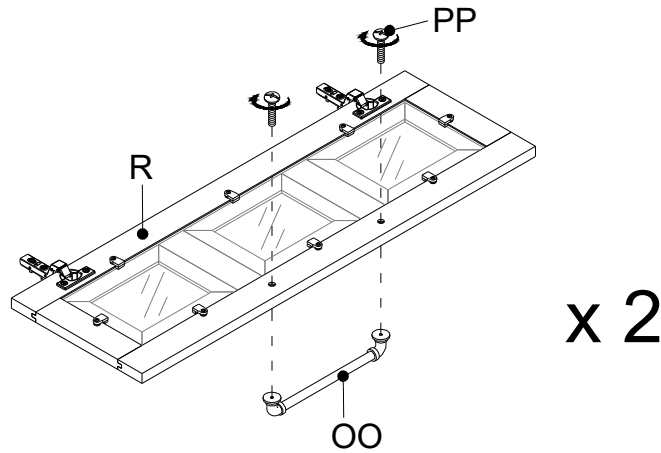
- Stand the assembled unit upright.
- Insert eight shelf supports (II) into the desired holes inside each side compartment. Make sure you place the four shelf supports in the same level so the shelf is not tilted. Rest the adjustable shelves (P) onto the shelf supports (II). Secure the shelves in place with the short flat head screws (DD) for extra support.



Assembly (continued)

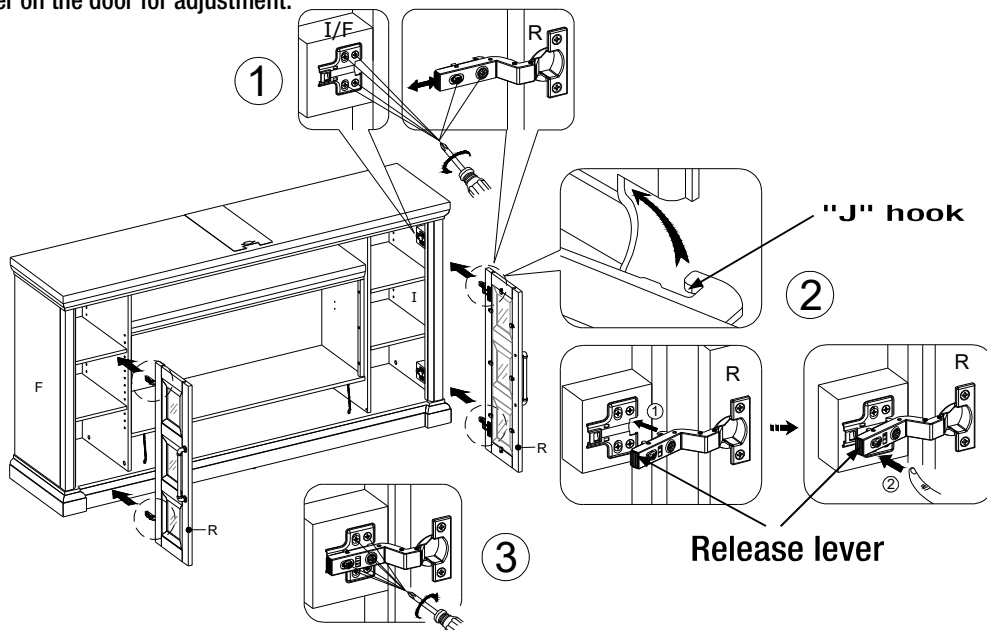
13 Attaching the handles

- Attach one handle (OO) to the front side of each door (R) with the provided bolts (PP).



14 Installing the doors

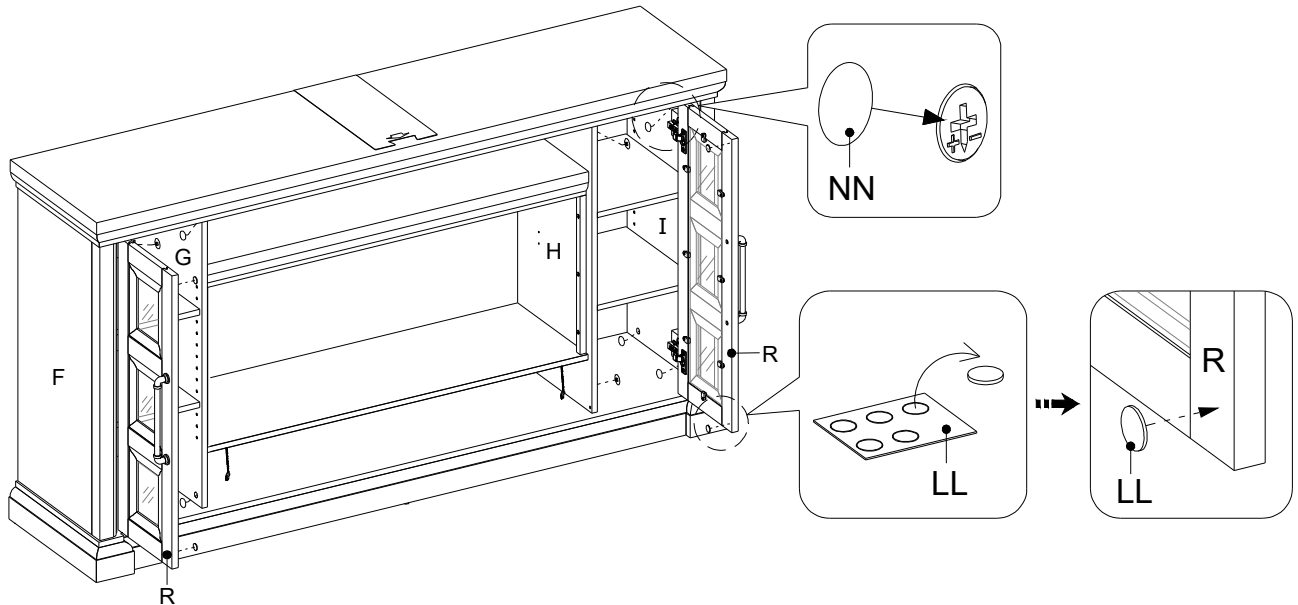
- Loosen the screws on the hinge arms and plates pre-attached on the side panels (F and I).
- Pick up one side door (R) and attach it to right side panel (I) by engaging both door hinges simultaneously. Please follow the steps below to combine the door hinges together.
 - (i) Extend both hinge arms on the side door (R) to open position.
 - (ii) Insert the "J" hooks beneath the hinge arms into the lugs on mounting plates pre-attached on right side panel (I).
 - (iii) Press lightly on the end of both hinge arms to engage the catch.
 - (iv) To remove the hinge arms from the mounting plates, press gently in the release lever on the back of hinge arms.
- Once assembled, go back and fully tighten all screws.
- Repeat the same procedure to attach the other door (R) at the opposite side.
- Open and close the doors to make sure they are aligned and shut correctly. If necessary, adjust the screws for a good fit. Refer to the hinge sticker on the door for adjustment.



Assembly (continued)

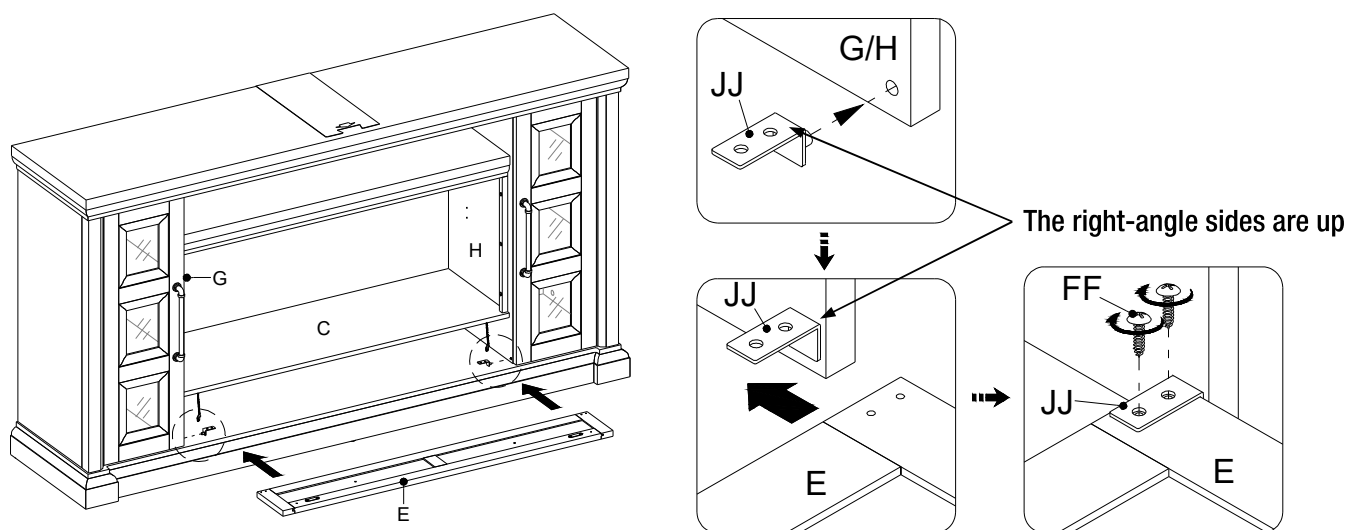
15 Attaching the rubber bumpers and cam lock covers

- Stick rubber bumpers (LL) at the outer corners of both doors (R) where they meet the partition panels (G and H).
- Plug the cam lock covers (NN) onto the visible cam locks to conceal the cams.



16 Installing the drop lid door

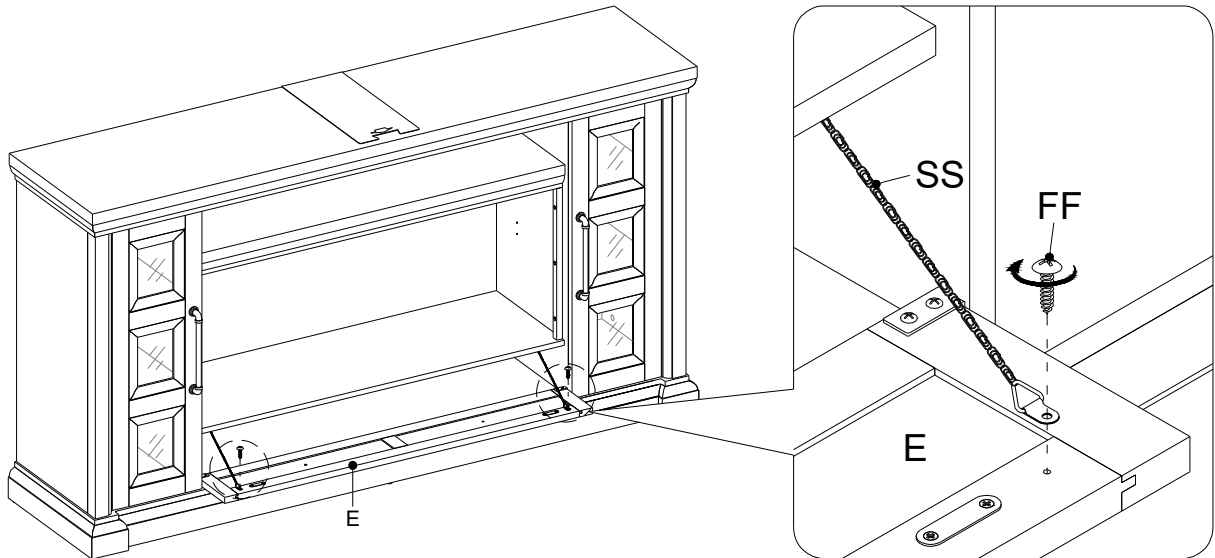
- Insert two pivot hinges (JJ) into the holes on the partition panels (G and H).
- Fit the drop lid door (E) to the inserted pivot hinges (JJ) making sure the mounting holes overlap the pilot holes on the drop lid door. Secure the pivot hinges (JJ) to the drop lid door (E) with four short pan head screws (FF).



Assembly (continued)

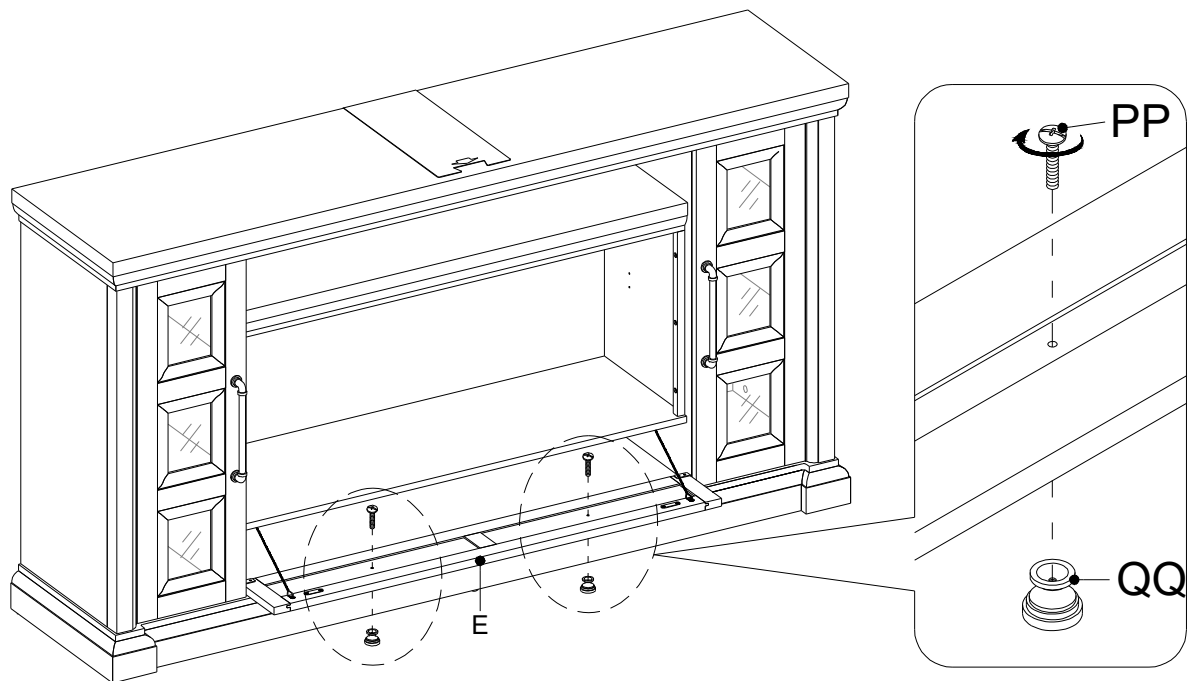
17 Fasten two chains to the drop lid door

- Using the pilot holes as a guide, fasten two chains (SS) to the drop lid door (E) using two short pan head screws (FF).



18 Attaching the knobs

- Attach two knobs (QQ) to the front side of the drop lid door (E) with the provided bolts (PP).

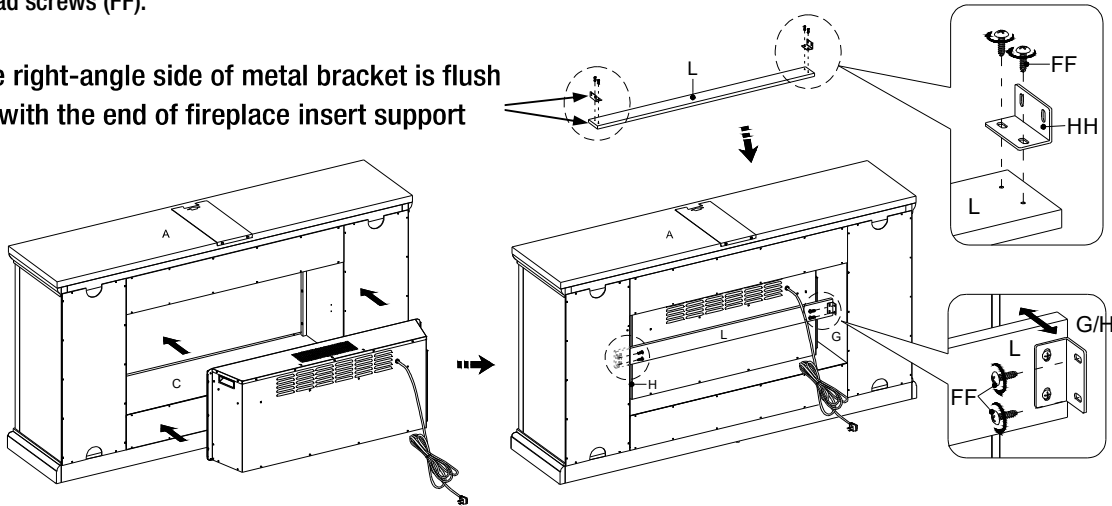


Assembly (continued)

19 Installing fireplace insert and support

- Lift the fireplace insert carefully into the back of the assembled mantel and center it in the opening. DO NOT drag the insert across the lower fixed shelf (C) as it may scratch the unit.
- Using the pilot holes as a guide, fasten two metal brackets (HH) to fireplace insert support (L) with four short pan head screws (FF).
- Using the pilot holes as a guide, attach the fireplace insert support (L) between the partition panels (G and H) with four short pan head screws (FF).

The right-angle side of metal bracket is flush with the end of fireplace insert support



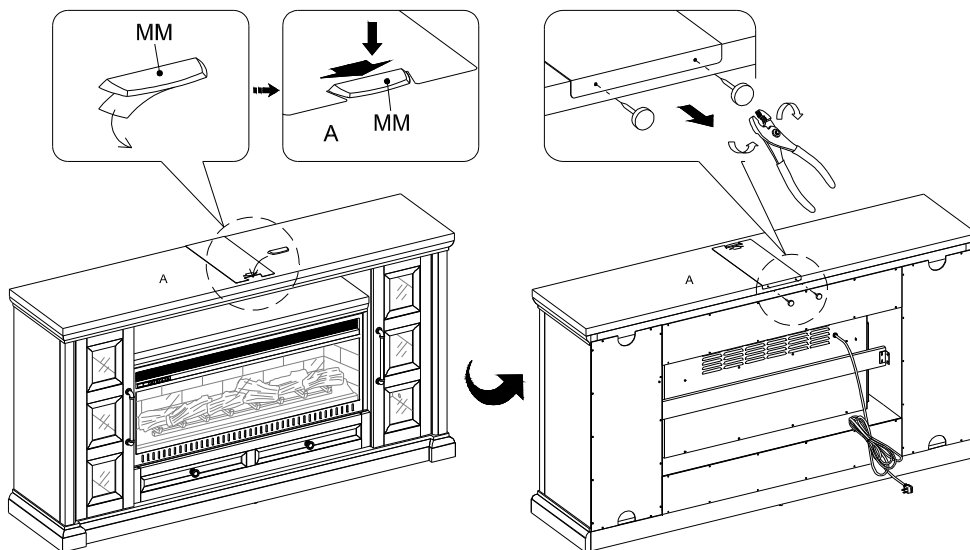
20 Installing the acrylic stopper

- Remove the paper backing of acrylic stopper (MM), then properly align the acrylic stopper into the cut-out on the acrylic stopper template on the front of the top panel (A). Press down on the acrylic stopper to help adhesion.



NOTE: To prevent your TV from tipping, you must install the acrylic TV stopper if you place a flat panel television on the top panel. Otherwise, skip to next step.

- At the back of top panel (A), grip the heads of plastic tacks with pliers, with twisting motion pull tacks loose to remove the acrylic stopper template.



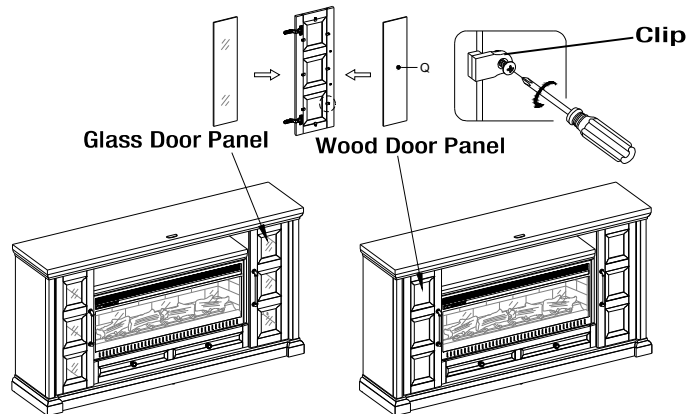
Assembly (continued)

21 Interchanging door insert panels

- To change door panels, loosen the screws on the inside of the doors (R) and rotate the clips to remove the insert panel. Replace with desired panel, then rotate clips to secure the panel within the door frame and tighten screws.



NOTE: The glass door panels are pre-attached when shipping. You can keep as is or interchange as the desired configuration.

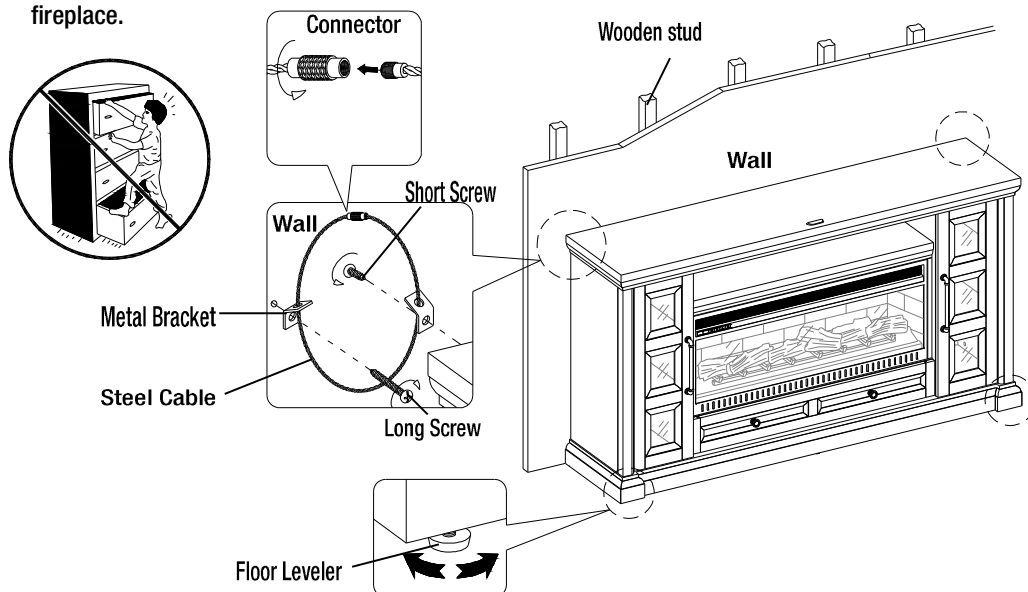


22 Installing the tipping restraint hardware



WARNING: The tipping restraint hardware included is for wooden stud wall construction. It must be attached to a wall stud. Depending upon your wall construction, different anchor hardware may be required. Please contact your local hardware store for assistance. Young children can be seriously injured by tipping furniture. You must install the Tipping Restraint Hardware with the unit to prevent the unit from tipping, causing any accidents or damage. The tipping restraints are intended only as a deterrent, they are not a substitute for proper adult supervision. The tipping restraints are not earthquake restraints. If you wish to add the extra security of earthquake restraints, they must be purchased and installed separately.

- With assistance, position the assembled fireplace at the desired location against a wall. In case of uneven floor, floor levelers are provided at the bottom front of the base. If necessary, adjust the floor levelers by hand to correct tilting and level the doors.
- Follow the instructions printed on the plastic bag containing the tipping hardware to attach the tip-over restraint to the unit and the wall.
- Connect the fireplace to the power transformer. Follow the operating manual for the electric fireplace insert to control your fireplace.



Care and Maintenance

A Touch-up Pen has been provided to repair any small nicks or scratches that may occur during assembly or shipping.

To clean and care for your furniture:

- Use a soft, clean cloth that will not scratch the surface when dusting.
- Use of furniture polishes is not necessary. Should you choose to use polishes, test first in an inconspicuous area.
- Using solvents of any kind on your furniture may damage the finish.
- Never use water to clean your furniture as it may cause damage to the finish.
- Always use coasters under beverage glasses and flowerpots.
- Liquid spills should be removed immediately. Using a soft clean cloth, blot the spill gently. Avoid rubbing.
- Always use protective pads under hot dishes and plates. Heat can cause chemical changes that may create spotting within the furniture finish.
- Stains or marks from crayons or ink markers will be difficult to remove.
- In the event that your furniture is stained or otherwise damaged during use, we recommend that you call a professional to repair your furniture.
- Check bolts/screws periodically and tighten them if necessary.

CARING FOR WOOD FURNITURE

It is best to keep your furniture in a climate-controlled environment. Extreme temperature and humidity changes can cause fading, warping, shrinking and splitting of wood. It is advised to keep furniture away from direct sunlight as sun may damage the finish.

Proper care and cleaning at home will extend the life of your purchase. Following these important and helpful tips will enhance your furniture as it ages.

CLEANING THE FIREPLACE TRIM

Clean the metal trim using a soft cloth, slightly dampened with citrus oil based product and buff with a clean soft cloth. DO NOT use brass polish or household cleaners as these products will damage the metal trim. Citrus oil based products can be obtained at supermarkets or hardware stores.

WARNING

- Unit must be placed on a level surface or leveled with included hardware (when applicable).
- Do not sit or stand on or allow children to climb, sit or stand on the assembled product.
- For safety reasons, it is imperative that this unit be mounted to the wall or floor.
- Unit can tip over causing severe injury or death.
- Never open more than one drawer at a time.
- Do not exceed the recommended weight limits.
- Before cutting, drilling or hammering into any wall or floor surface, verify the location of electrical, plumbing and gas lines. Cutting may cause serious injury.

HOME DECORATORS COLLECTION

Questions, problems, missing parts? Before returning to the store,
call Home Decorators Collection Customer Service
8 a.m. - 7 p.m., EST, Monday-Friday
9 a.m. - 6 p.m., EST, Saturday

1-800-986-3460

[HOMEDEPOT.COM/HOMEDECORATORS](https://www.homedepot.com/homedecorators)

Retain this manual for future use.