



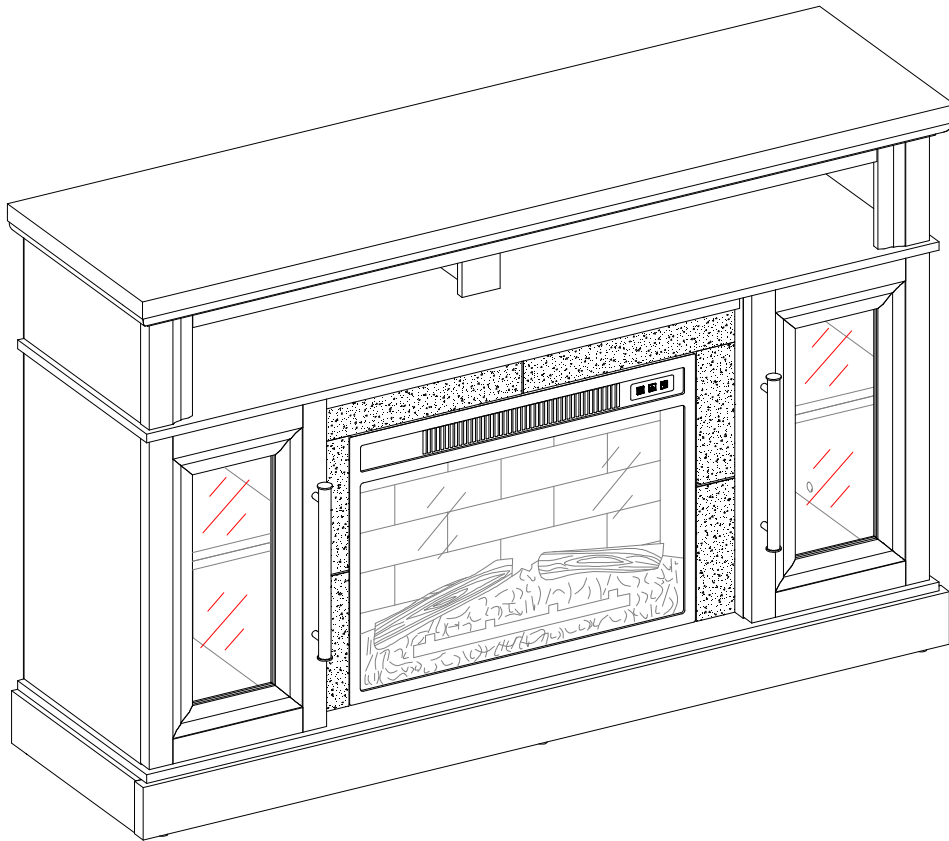
# WHALEN®

LOT NUMBER: \_\_\_\_\_

DATE PURCHASED: \_\_/\_\_/\_\_

## Sedona 54" Fireplace Console

Model # MNFP54BF23-5



### **ADULT ASSEMBLY REQUIRED**

If you have any questions regarding assembly or if parts are missing, DO NOT return this item to the store where it was purchased. Please call our toll-free customer service number and have your instructions and parts list ready to provide the model name, part name or factory number:

**1-866-942-5362**

Pacific Standard Time: 8:30 a.m. - 4:30 p.m., Monday - Friday

Or visit our website 24 Hours a day, 7 days a week for product assistance at

**[www.whalenfurniture.com](http://www.whalenfurniture.com)**

Or e-mail your request to: **[parts@whalenfurniture.com](mailto:parts@whalenfurniture.com)**

**THIS INSTRUCTION BOOKLET CONTAINS IMPORTANT SAFETY INFORMATION.  
PLEASE READ AND KEEP FOR FUTURE REFERENCE.**

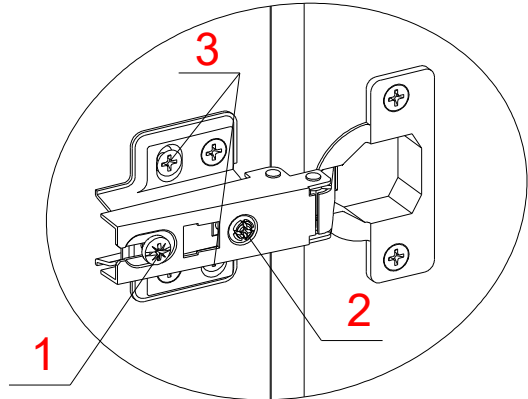
Date 2022-03-21



Rev. 0001-A

## How to adjust the European adjustable hinges on doors

Shipping may cause doors to go out of alignment. If you find that the doors need to be adjusted slightly, turn the appropriate screw, as illustrated.

1. TO ADJUST DOOR FORWARD OR BACKWARD.
2. TO ADJUST DOOR TO RIGHT OR TO LEFT.
3. TO ADJUST DOOR UP OR DOWN.



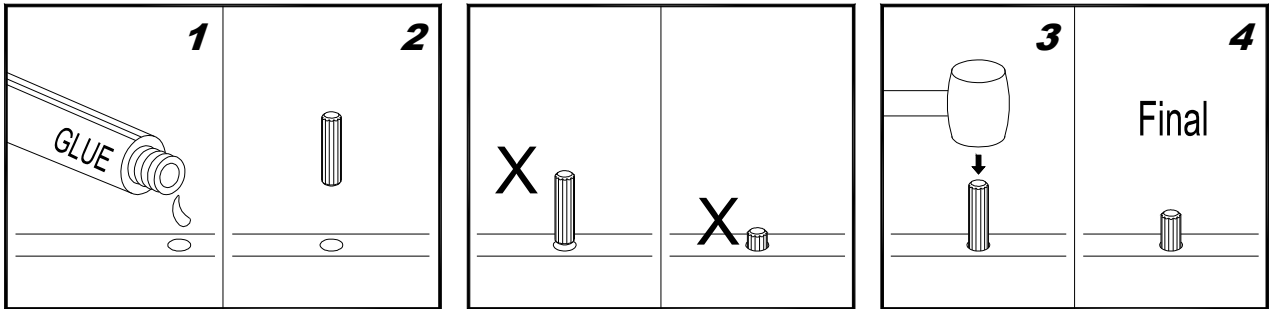
 <b>WARNING</b>	
	<p><b>Children have died from furniture tip-over.</b> <b>To reduce the risk of furniture tip-over:</b></p> <ul style="list-style-type: none"><li>• ALWAYS install tip-over restraint provided.</li><li>• FOR use with televisions weighing 80 lbs / 36.3 kg or less. Use with heavier televisions may result in instability causing tip-over resulting in death or serious injury.</li><li>• NEVER allow children to stand, climb or hang on drawers, doors, or shelves.</li><li>• NEVER open more than one drawer at a time.</li><li>• Place heaviest items in the lowest drawers.</li></ul> <p><b>Use of tip-over restraints may only reduce, but not eliminate, the risk of tip-over.</b></p>

## IMPORTANT

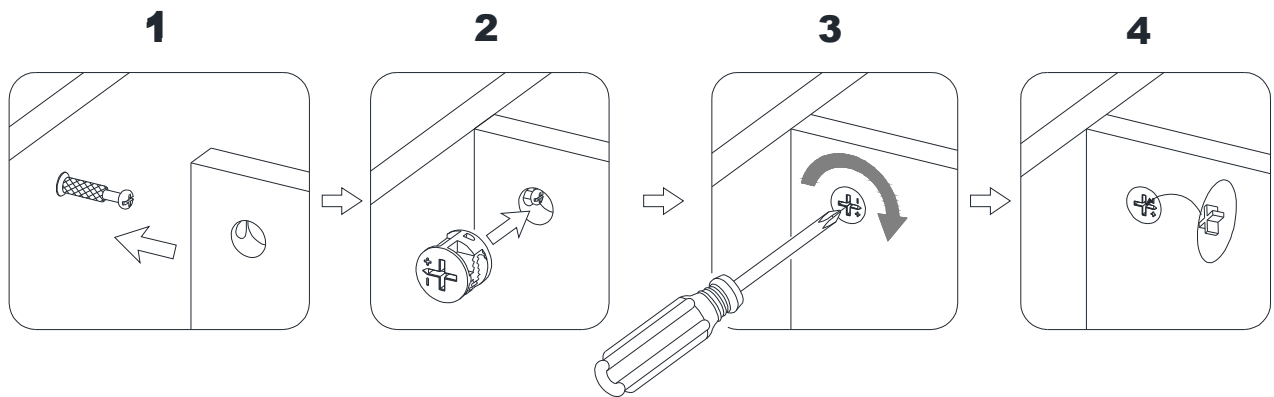
**Before you begin:** Open, identify and count all parts prior to assembly. Lay out parts on a flat and non-abrasive surface. You will need the parts identified on page 4 and 5 of this instruction manual.

**NOTE:** IT IS VERY IMPORTANT TO USE GLUE WITH THE DOWELS. EXCESS GLUE CAN BE WIPED OFF WITH A DAMP CLOTH.

Insert Dowel at least half way by tapping lightly with a rubber mallet (not included), IF NECESSARY.



## CAM LOCK SYSTEM OPERATION



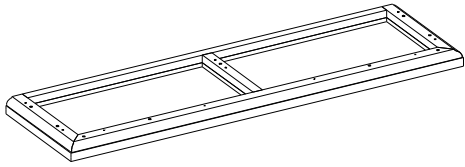
## HOW THE KNOCK DOWN (KD) ASSEMBLY SYSTEM WORKS

1. Screw the Cam Bolt into the pre-drilled small holes on the panel. Connect both panels together; making sure the Cam Bolt goes into the pre-drilled hole at the end of the panel with the Cam Lock.
2. Insert the Cam Lock into the pre-drilled large hole in the panel. Make sure the arrow on the Cam Lock is pointed towards the Cam Bolt.
3. Once the Cam Bolt is connected inside the Cam Lock, take a Phillips screwdriver (not included) and tighten the Cam Lock clockwise.
4. Plug the Cam Lock Cover into the cross slot of the Cam Locks to conceal the cam.

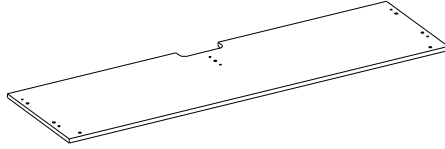
You are now ready to assemble the KD unit.

## Parts and Hardware List

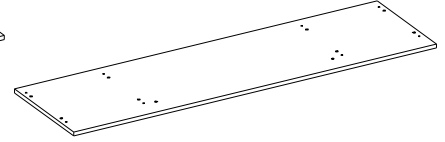
Please read completely through the instructions and verify that all listed parts and hardware are present before beginning assembly.



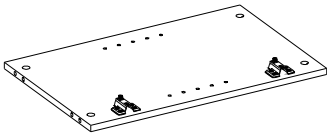
A- Top Panel (Qty. 1)



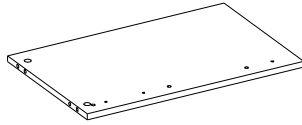
B- Center Shelf (Qty. 1)



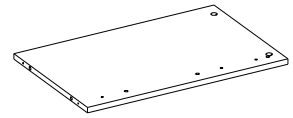
C- Bottom Panel (Qty. 1)



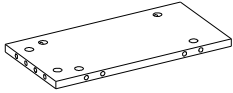
D- Lower Side Panel  
(Qty. 2)



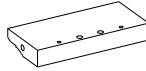
E- Left Lower Partition Panel  
(Qty. 1)



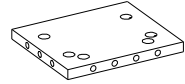
F- Right Lower Partition Panel  
(Qty. 1)



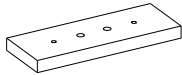
G- Upper Side Panel (Qty. 2)



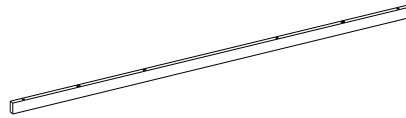
H- Upper Side Panel Molding (Qty. 2)



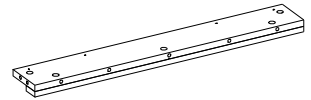
I- Upper Partition Panel (Qty. 1)



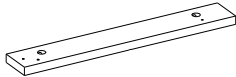
J- Upper Partition Panel Molding (Qty. 1)



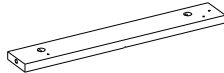
K- Top Reinforcement (Qty. 1)



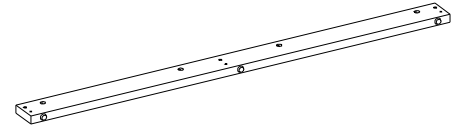
L- Middle Crossbar (Qty. 1)



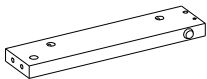
M- Left Middle Stile (Qty. 1)



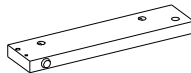
N- Right Middle Stile (Qty. 1)



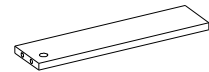
O- Bottom Front Stretcher (Qty. 1)



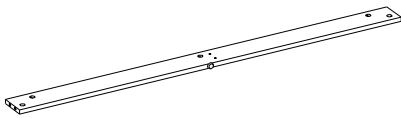
P- Bottom Left Side Stretcher  
(Qty. 1)



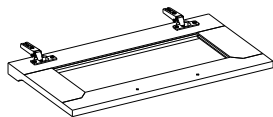
Q- Bottom Right Side Stretcher  
(Qty. 1)



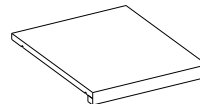
R- Bottom Middle Stretcher  
(Qty. 1)



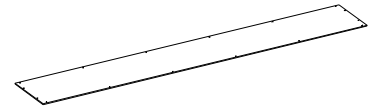
S- Bottom Back Stretcher  
(Qty. 1)



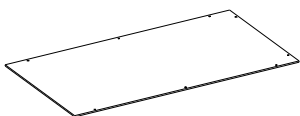
T- Door  
(Qty. 2)



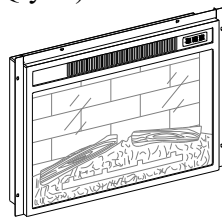
U- Adjustable Shelf  
(Qty. 2)



V- Upper Back Panel  
(Qty. 1)



W- Lower Back Panel (Qty. 2)



Fireplace Insert (Qty. 1)



Remote Control with Battery (Qty. 1)

## Parts and Hardware List

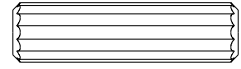
Please read completely through the instructions and verify that all listed parts and hardware are present before beginning assembly.



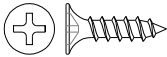
(1) Cam Lock  
(Qty. 55+2 extra)



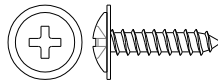
(2) Cam Bolt  
(Qty. 55+2 extra)



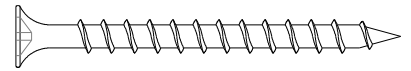
(3) M8 x 30 mm Wood Dowel  
(Qty. 61+2 extra)



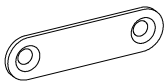
(4) M3.5 x 12 mm Screw  
(Qty. 4+1 extra)



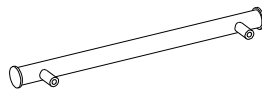
(5) M3.5 x 15 mm Washer Head Screw  
(Qty. 32+1 extra)



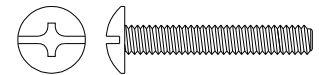
(6) M4 x 50 mm Screw  
(Qty. 10+1 extra)



(7) Metal Bracket  
(Qty. 2)



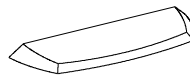
(8) Handle  
(Qty. 2)



(9) Handle Bolt  
(Qty. 4)



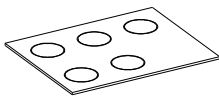
(10) Shelf Pin  
(Qty. 8+1 extra)



(11) Acrylic Stopper  
(Qty. 1)



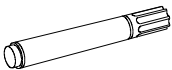
(12) Cam Lock Cover  
(Qty. 26+1 extra)



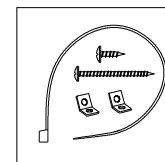
(13) Rubber Bumper (Qty. 4+1 extra)



Glue (Qty. 2)



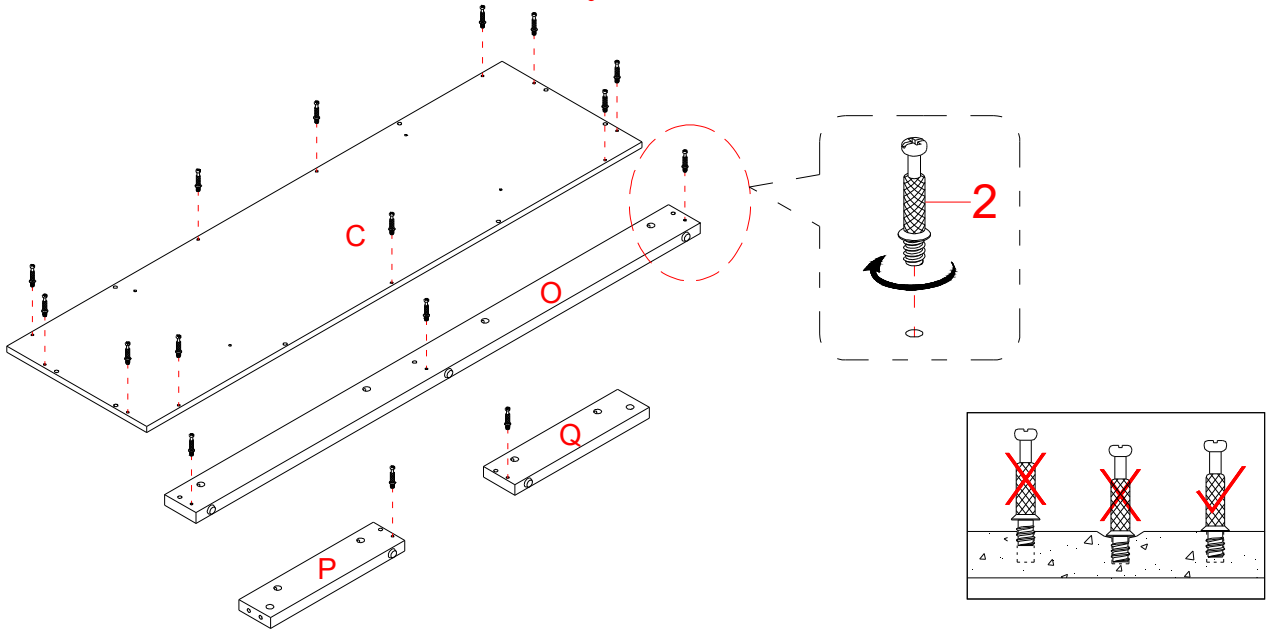
Touch-up Pen  
(Qty. 1)



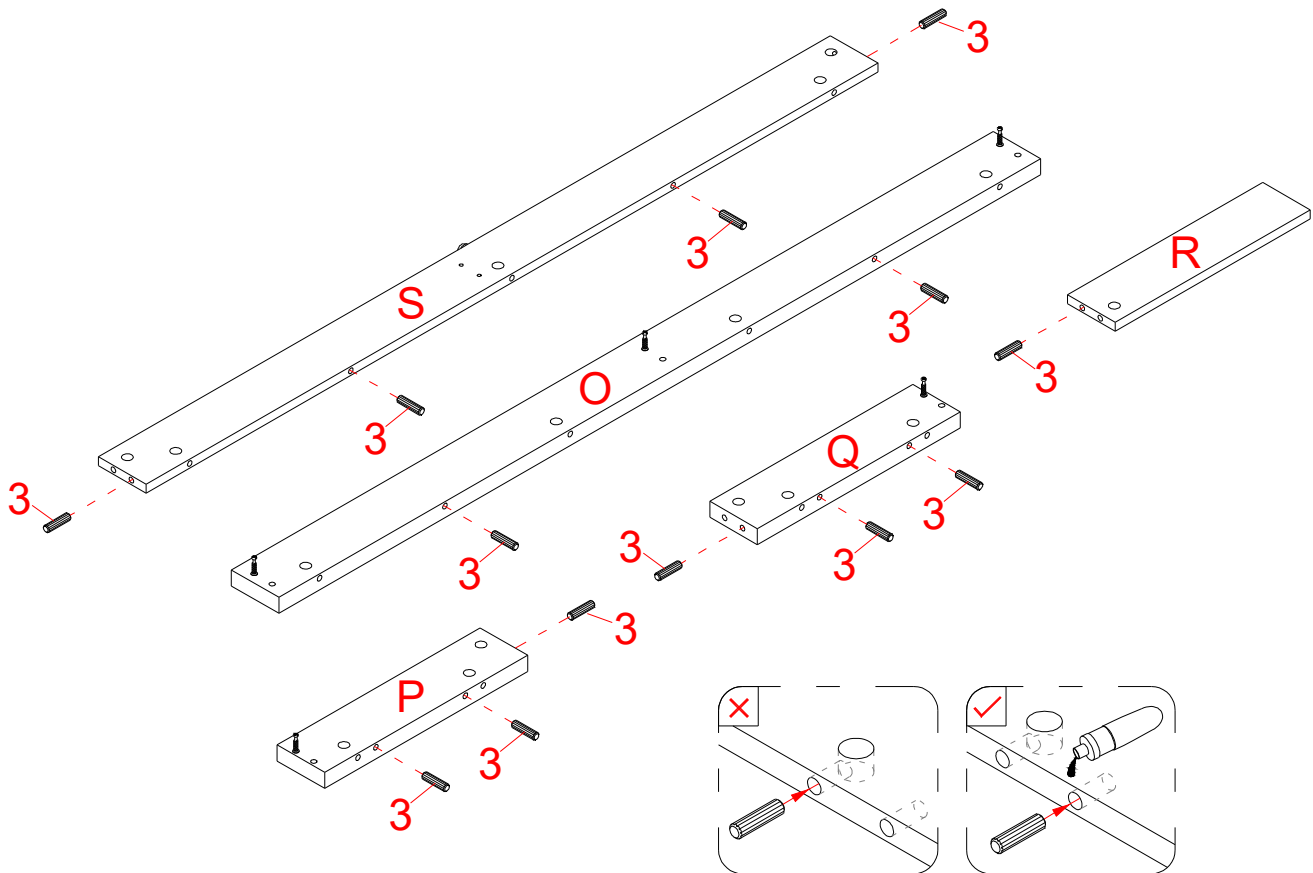
Tipping Restraint Hardware Kit (Qty. 2)  
(Included in plastic bag)

Tools required: Phillips screwdriver, rubber mallet, and hammer (not provided).

## Assembly Instructions

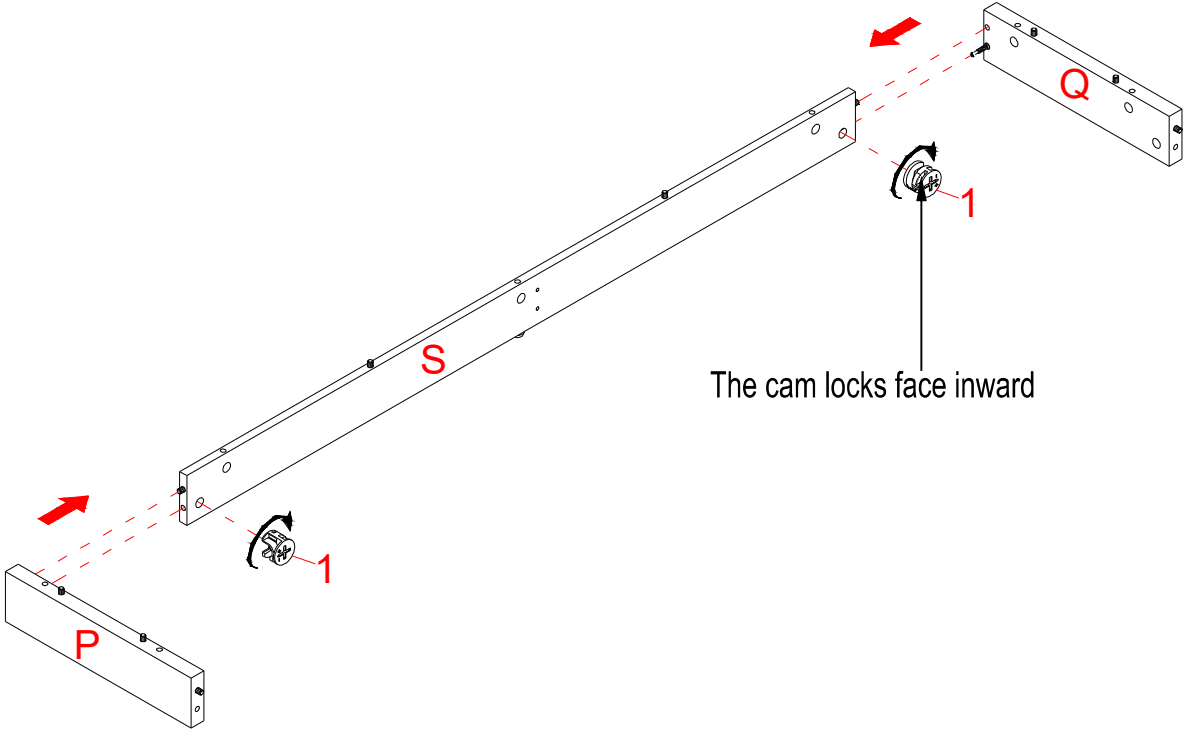


1. Unpack the unit and confirm that you have all the hardware and required parts. Assemble the unit on a carpeted floor or the empty carton to avoid any scratches.
2. Securely screw the Cam Bolts (2) into the designated small holes on the Bottom Panel (C) and the Bottom Stretchers (O, P and Q) using a Phillips screwdriver. **NOTE:** DO NOT over tighten the cam bolts.

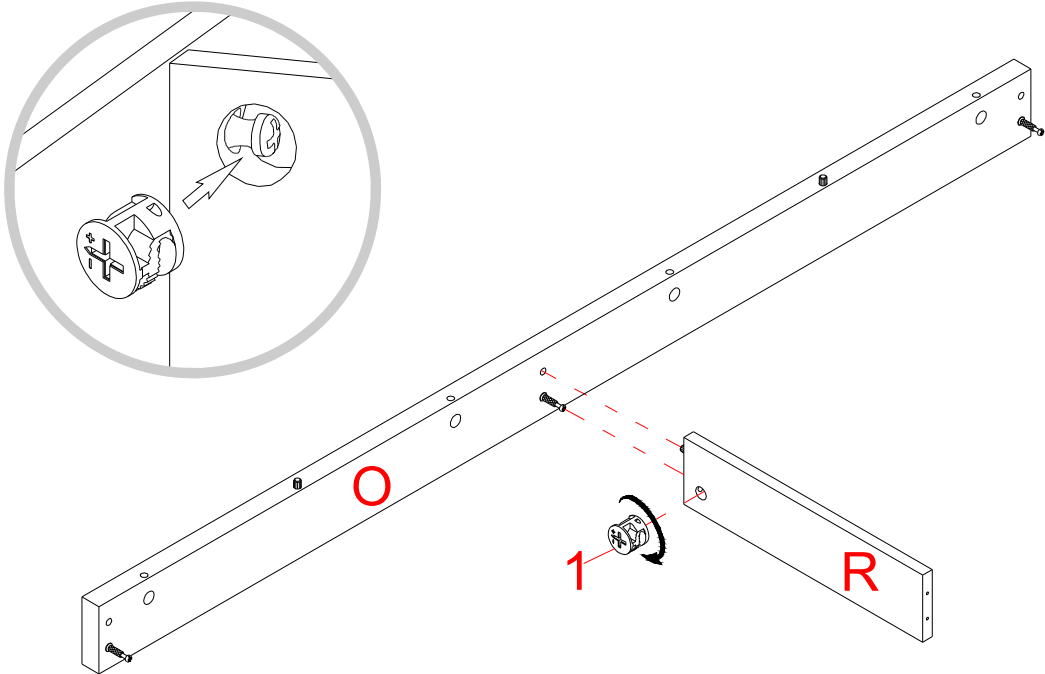


3. Glue the Wood Dowels (3) into the side holes of the Bottom Stretchers (O, P, Q, R and S).

# Assembly Instructions

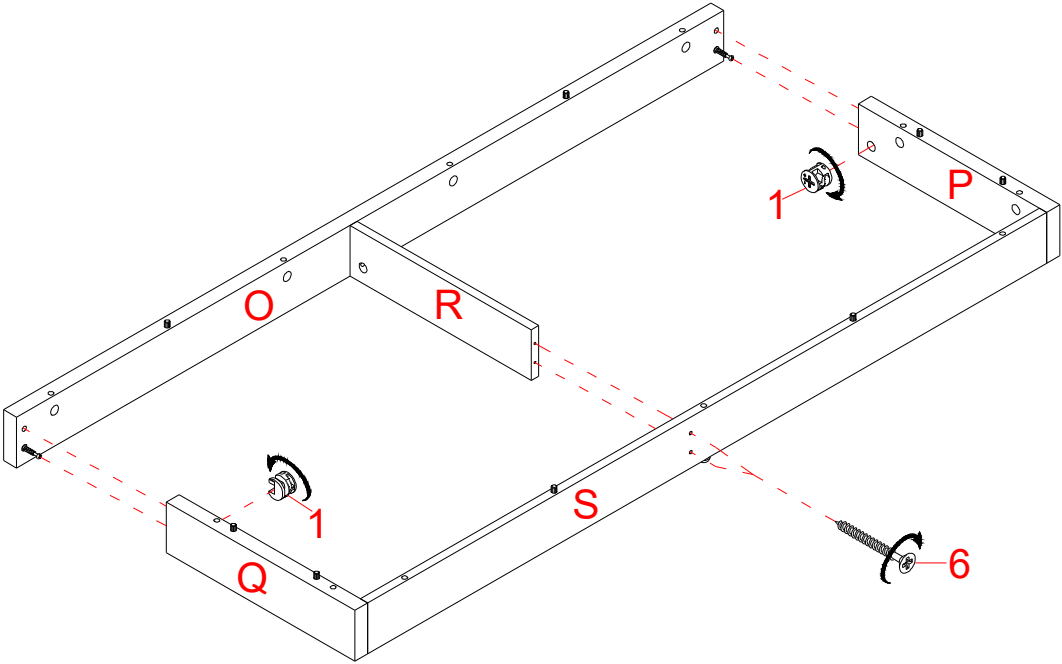


- 4. Attach the Bottom Back Stretcher (S) between the Bottom Side Stretchers (P and Q) by engaging two Cam Locks (1).

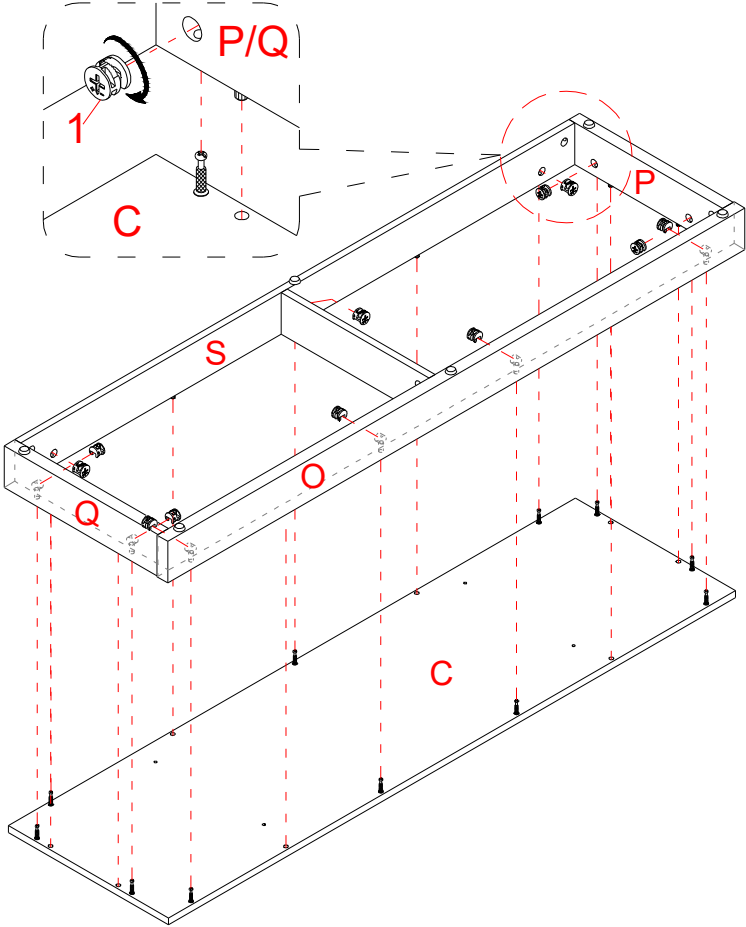


- 5. Align and attach the Bottom Middle Stretcher (R) to the Bottom Front Stretcher (O) by engaging one Cam Lock (1).

# Assembly Instructions



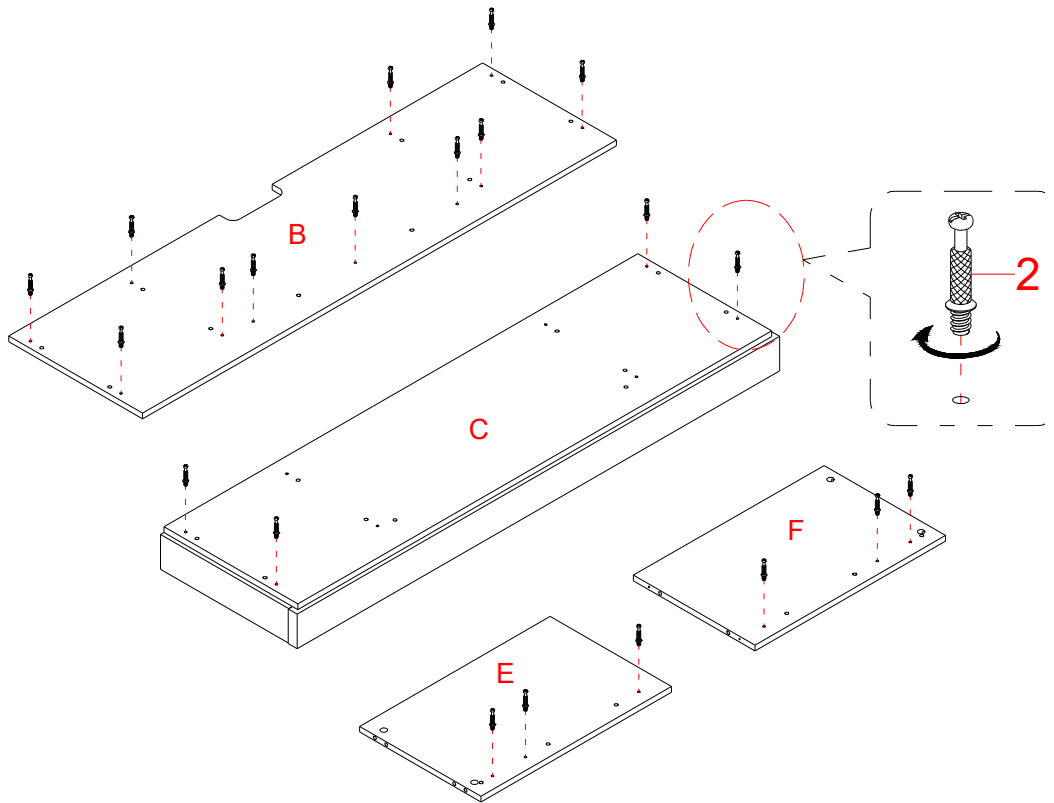
- 6. Attach the Bottom Front Stretcher (O) to Bottom Side Stretchers (P and Q) by engaging two Cam Locks (1).
- 7. Fasten the Bottom Back Stretcher (S) to the Bottom Middle Stretcher (R) with two 50 mm Wood Screws (6).



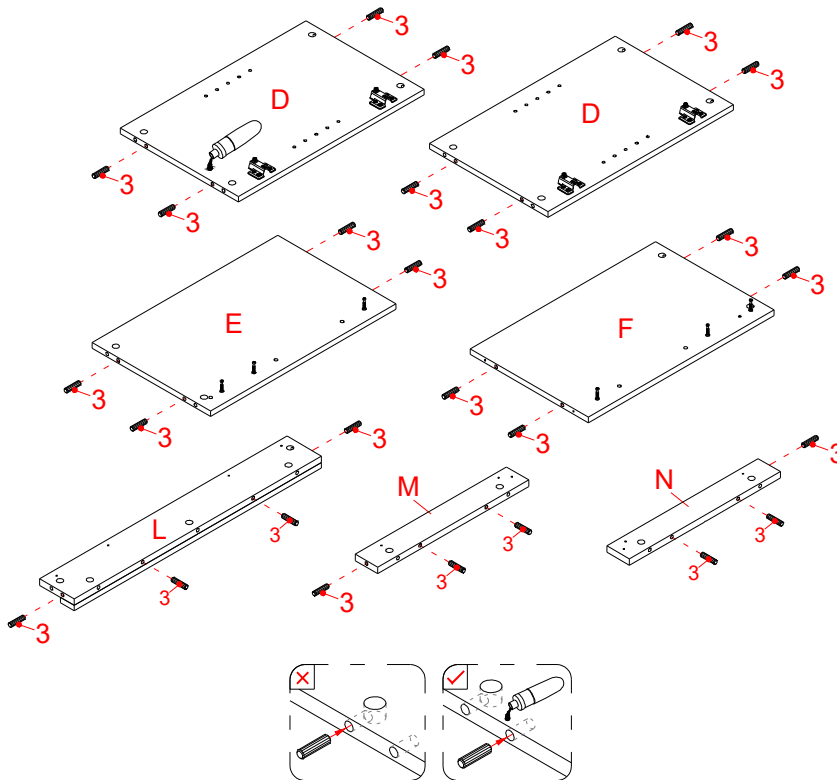
- 8. Attach the assembled base to the bottom panel (C) by engaging the Cam Locks (1).



## Assembly Instructions

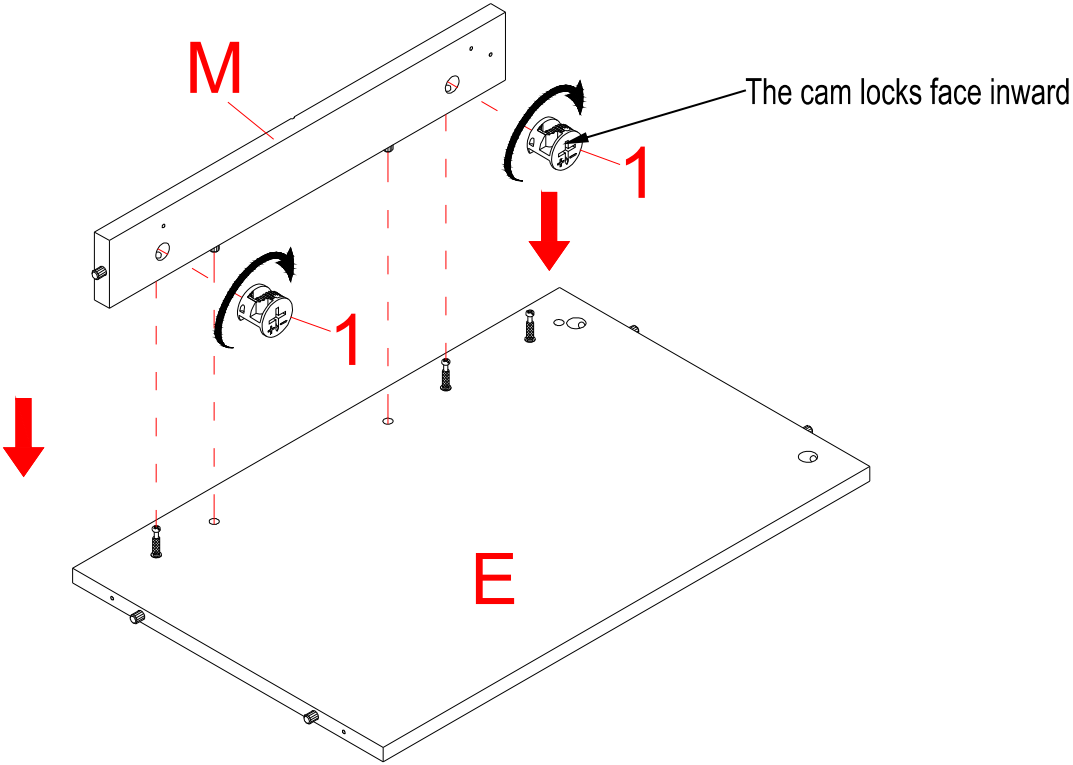


9. Securely screw the Cam Bolts (2) into the designated small holes on the Center Shelf (B), Bottom Panel (C) and Lower Partition Panels (E and F) using a Phillips screwdriver. **NOTE:** DO NOT over tighten the cam bolts.

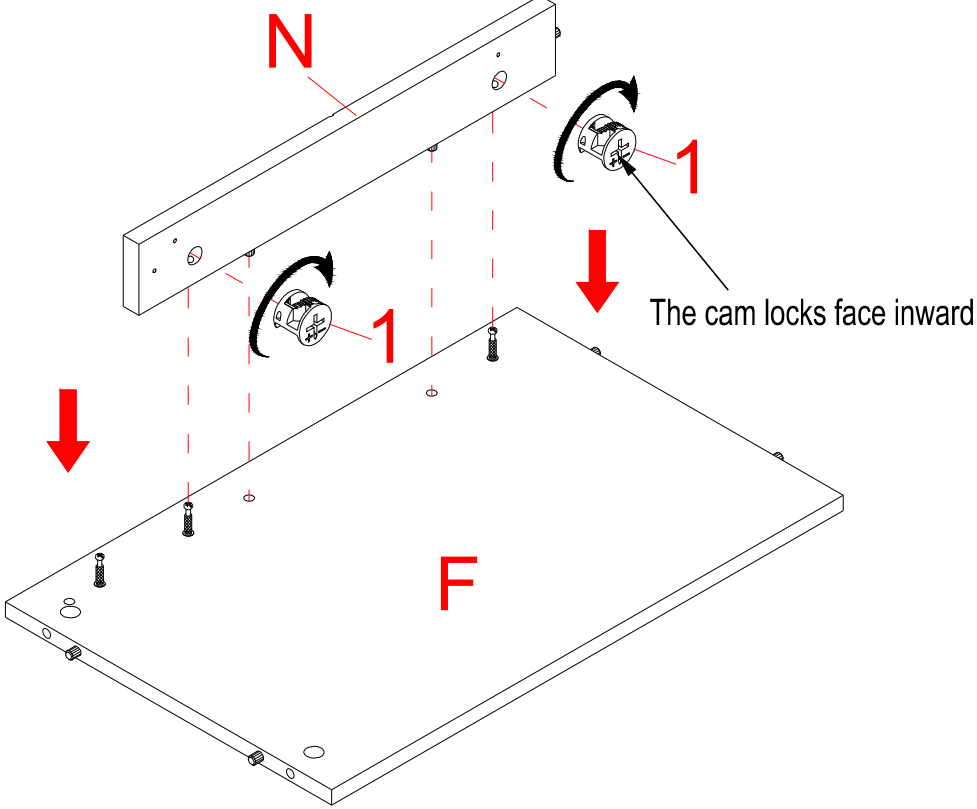


10. Glue the Wood Dowels (3) into the side holes of the Panels (D, E and F), Middle Crossbar (L) and Middle Stiles (M and N).

# Assembly Instructions

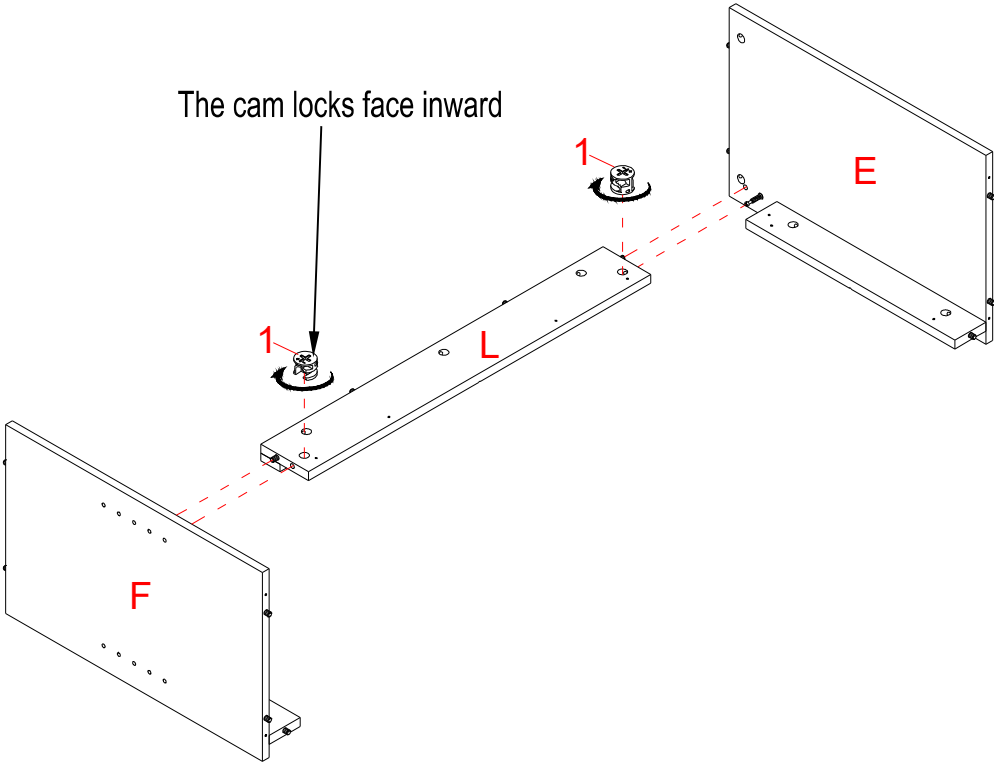


11. Attach the Left Middle Stile (M) to the Left Lower Partition Panel (E) by engaging two Cam Locks (1).

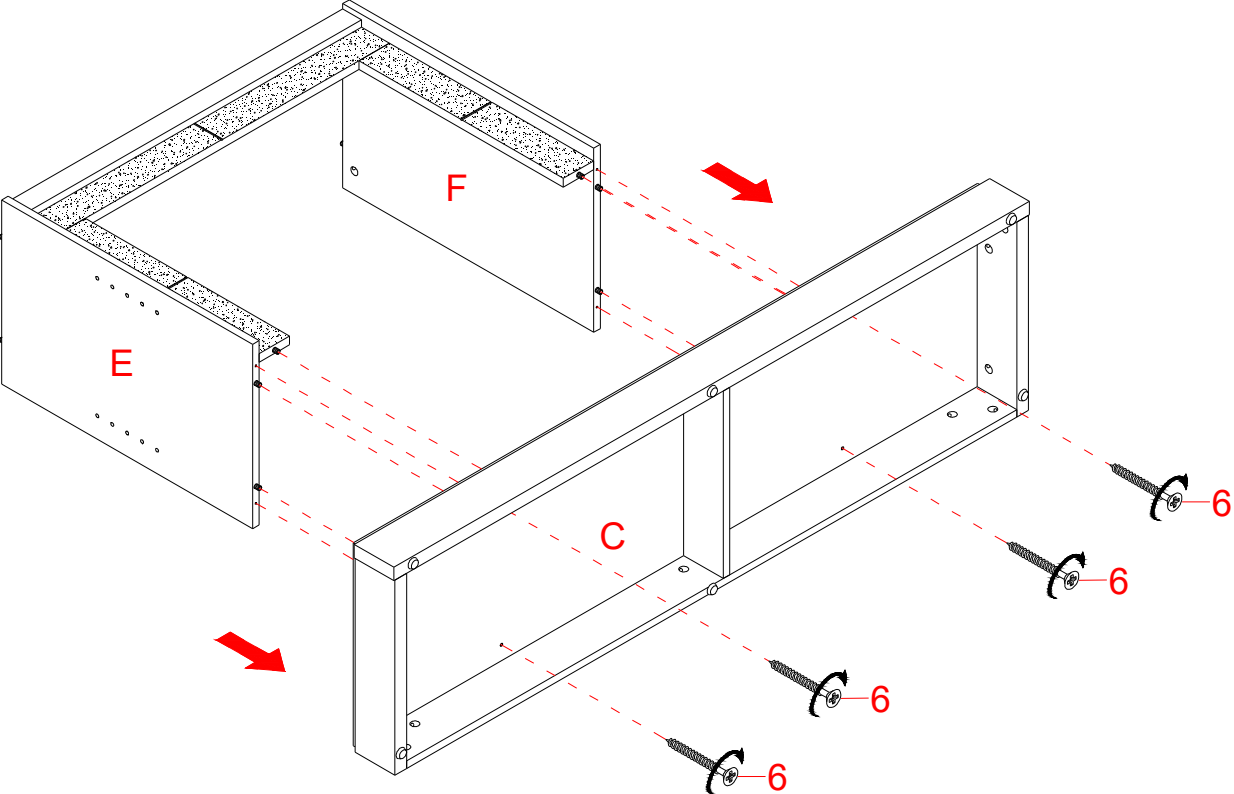


12. Attach the Right Middle Stile (N) to the Right Lower Partition Panel (F) by engaging two Cam Locks (1).

# Assembly Instructions



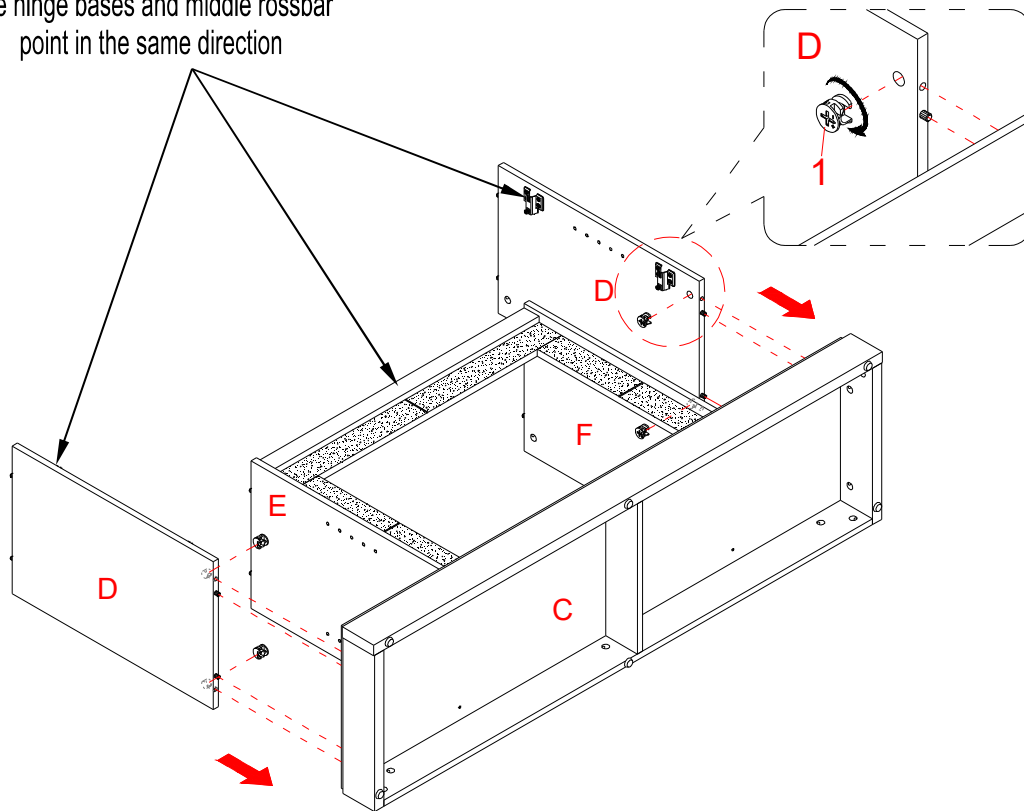
13. Attach the Middle Crossbar (L) between the Lower Partition Panels (E and F) by engaging two Cam Locks (1).



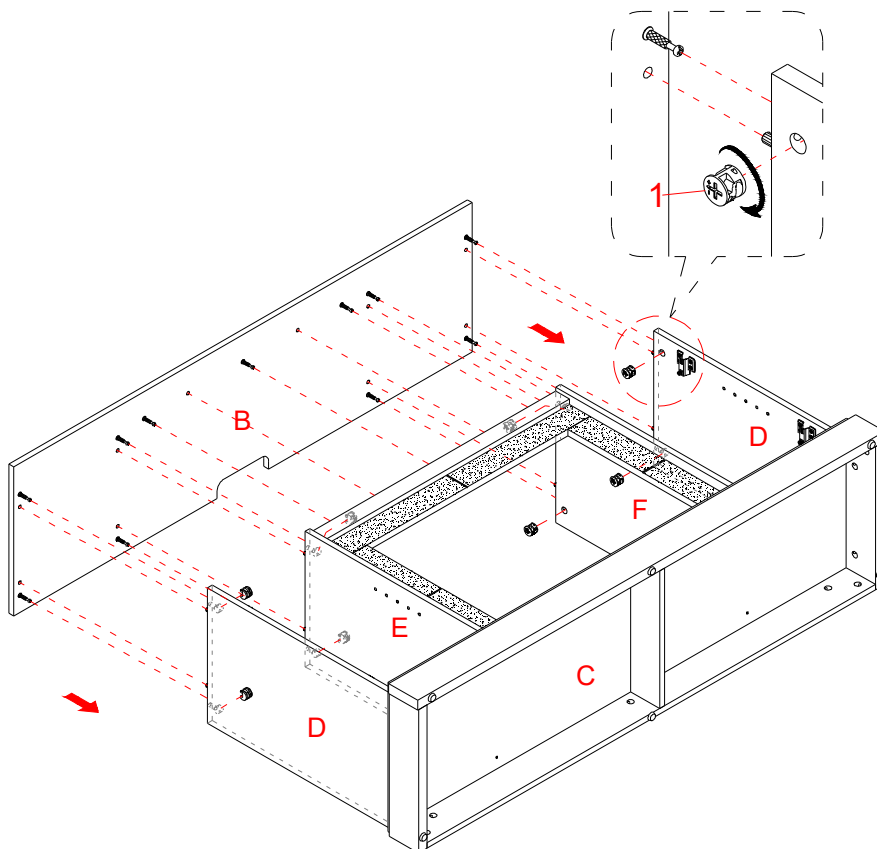
14. Attach the previous assembly to the Bottom Panel (C) with four 50 mm Screws (6).

## Assembly Instructions

The hinge bases and middle crossbar point in the same direction

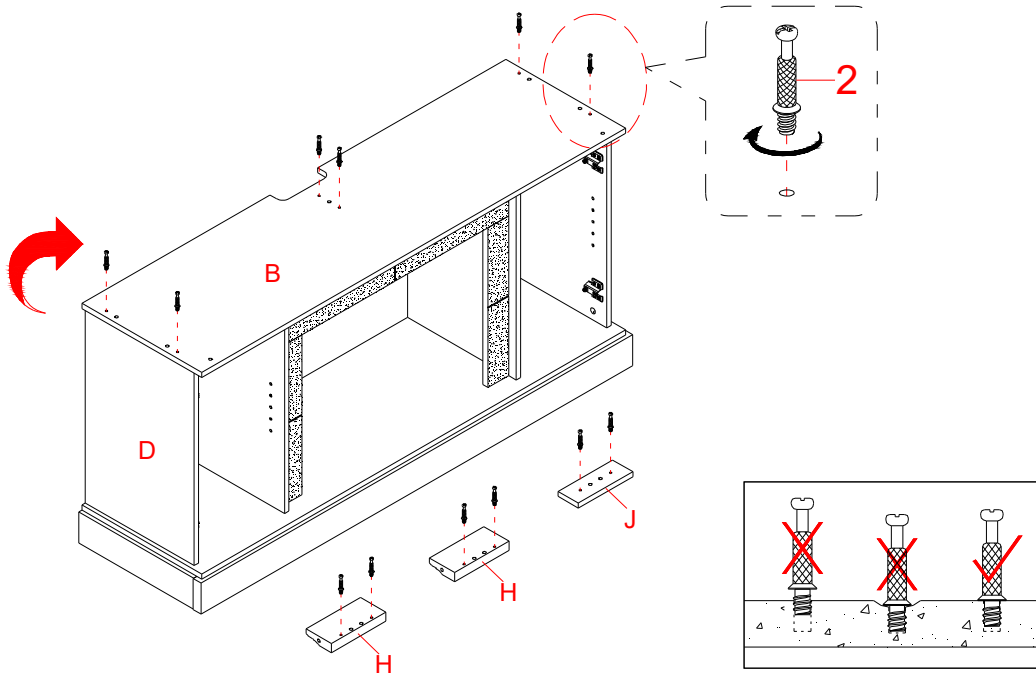


15. Attach the Lower Side Panels (D) to the Bottom Panel (C) by engaging the Cam Locks (1).



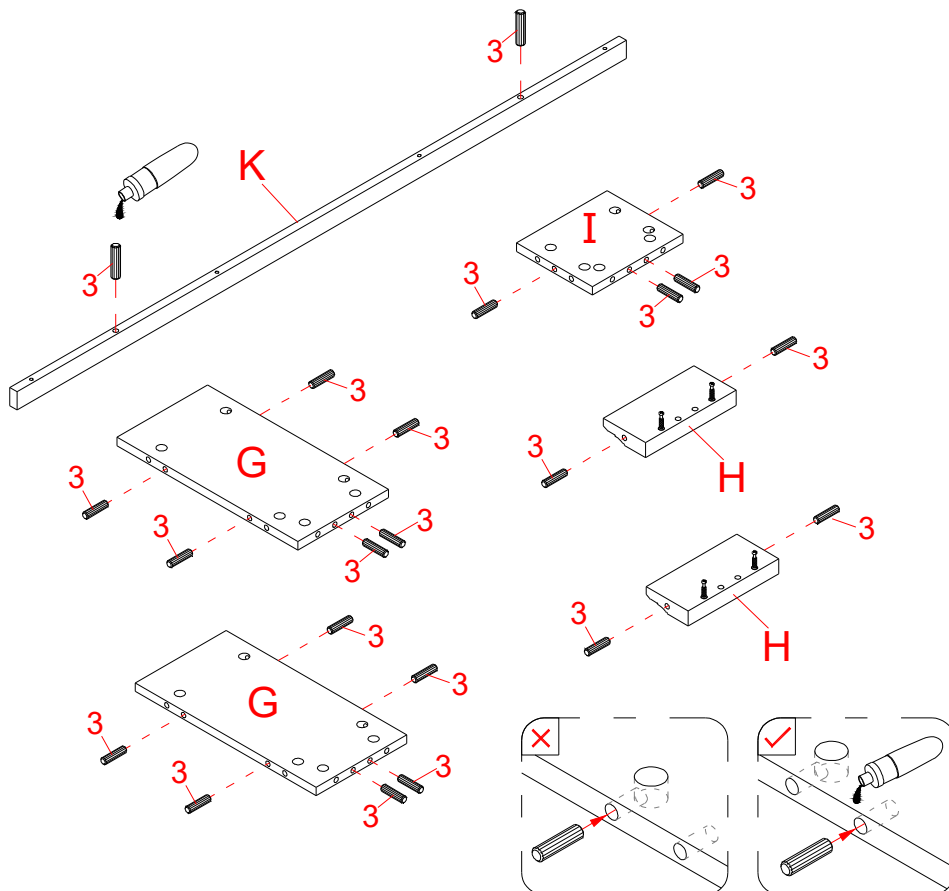
16. Ask for assistance to place the Center Shelf (B) onto the inserted wood dowels on the vertical panels properly and fasten it in place with the Cam Locks (1).

## Assembly Instructions



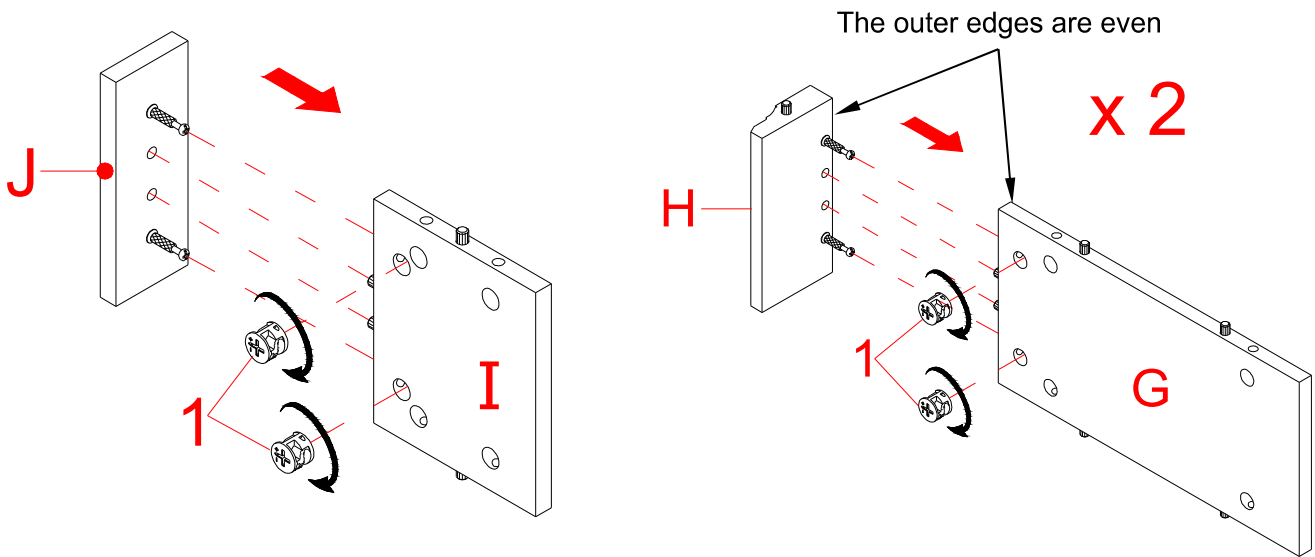
17. Stand the assembled unit upright.

18. Securely screw the Cam Bolts (2) into the designated small holes on the Center Shelf (B) and Moldings (H and J) using a Phillips screwdriver. **NOTE:** DO NOT over tighten the cam bolts.

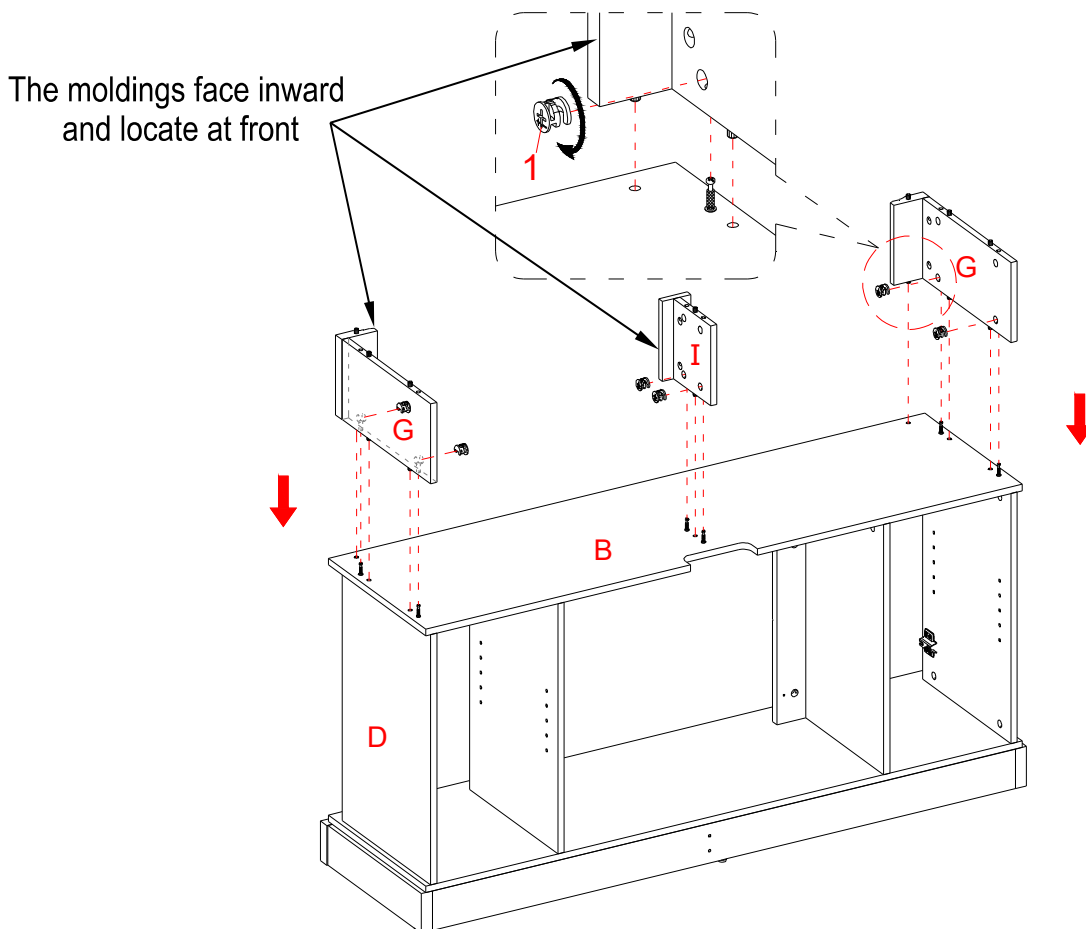


19. Glue the Wood Dowels (3) into the side holes of the Panels (G and I), Top Reinforcement (K) and Upper Side Panel Moldings (H).

## Assembly Instructions

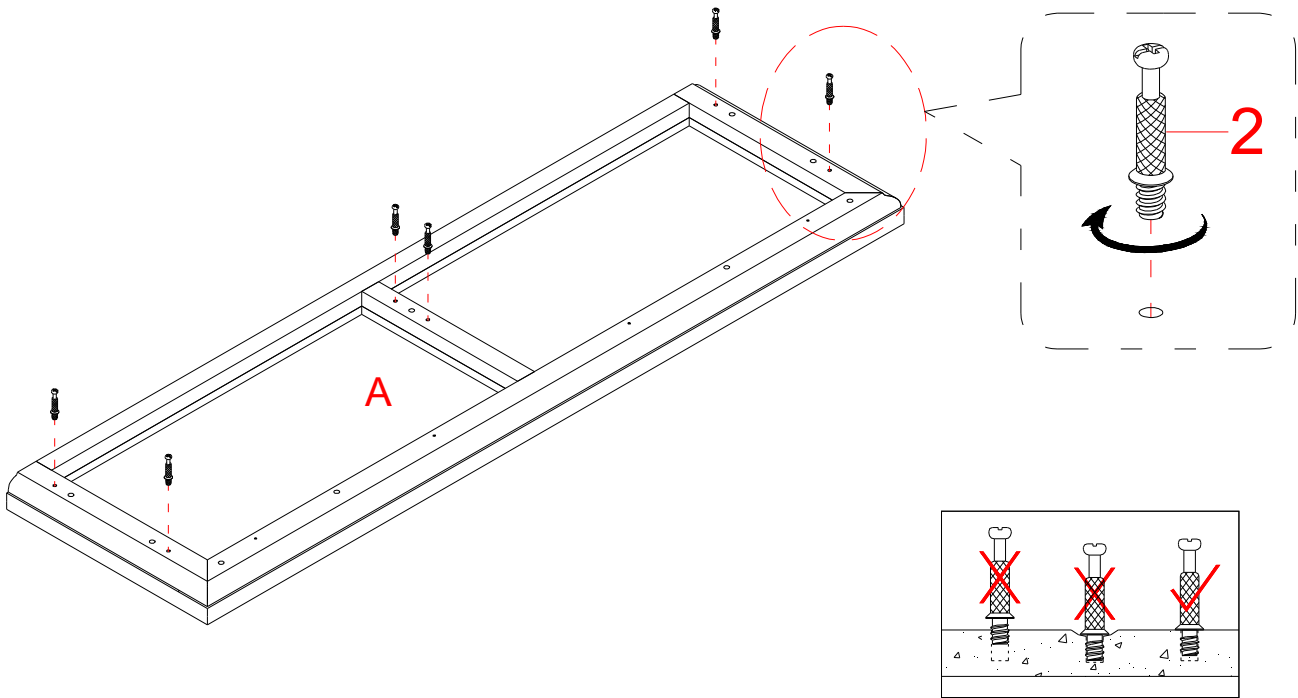


20. Attach the Upper Partition Molding (J) to the Upper Partition Panel (I) by engaging two cam locks (1) as shown.
21. Attach one Upper Side Panel Molding (H) to one Upper Side Panel (G) by engaging two cam locks (1).
22. Repeat the same procedure to combine the other Upper Side Panel Molding (H) and the remaining Upper Side Panel (G) together.

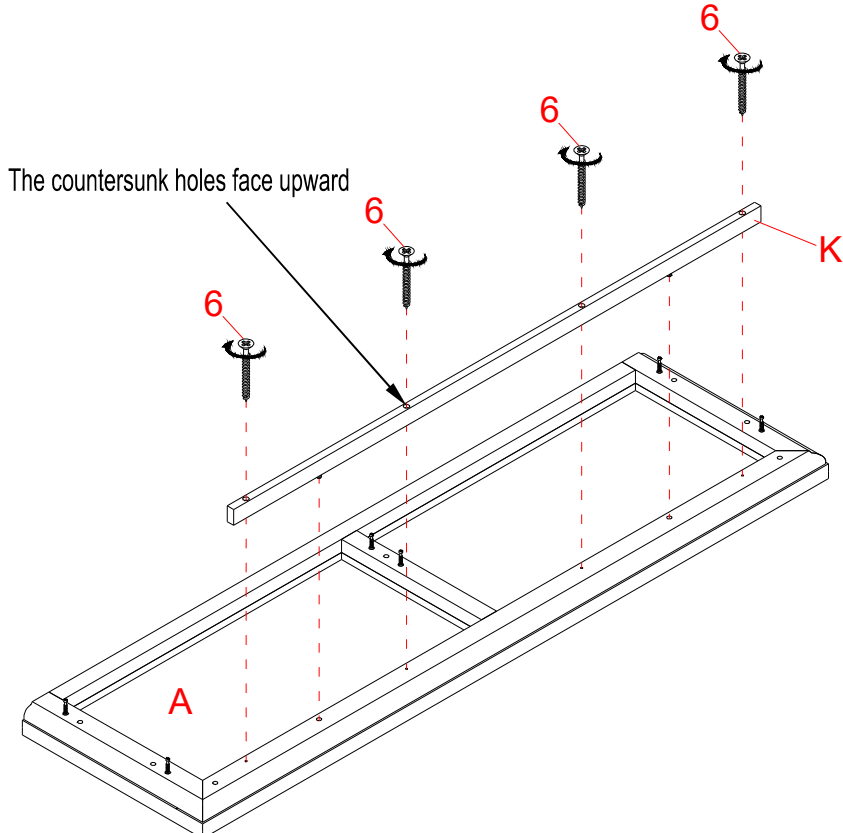


23. Align and attach the assembled Side Panels (G) and Upper Partition Panel (I) to the Center Shelf (B) by engaging two cam locks (1) in each.

# Assembly Instructions

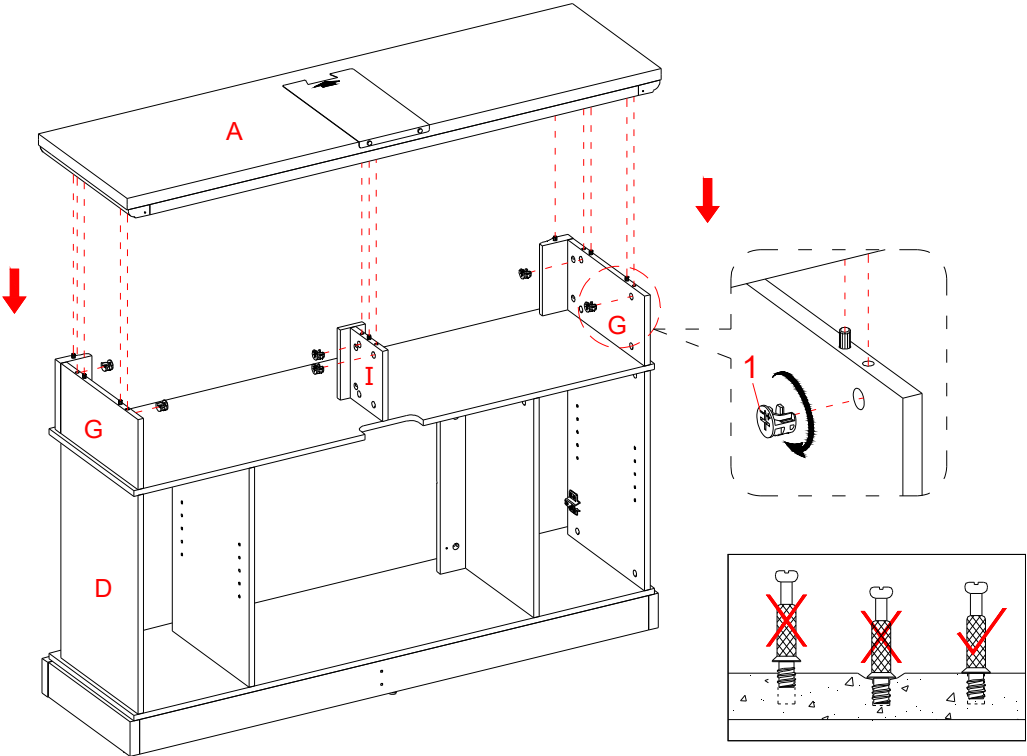


24. Securely screw the Cam Bolts (2) into the designated small holes on the Top Panel (A) using a Phillips screwdriver. **NOTE:** DO NOT over tighten the cam bolts.

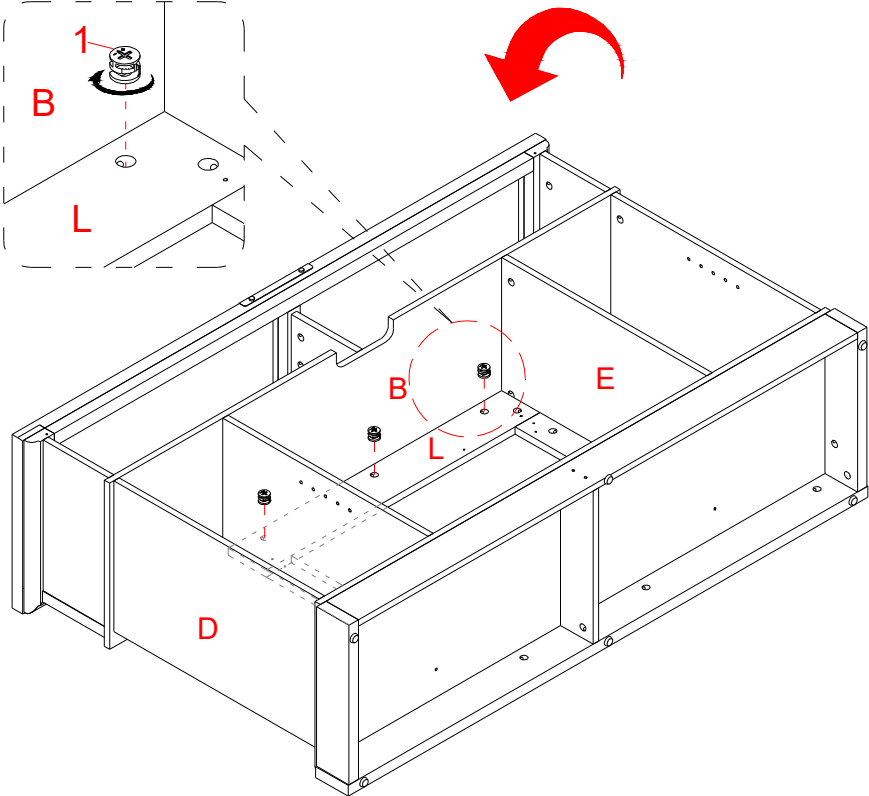


25. Attach the Top Reinforcement (K) to the Top Panel (A) with four 50 mm Screws (6).

# Assembly Instructions



26. Position the Top Panel (A) onto the inserted Wood Dowels (3) and fasten it in place by engaging six Cam Locks (1).

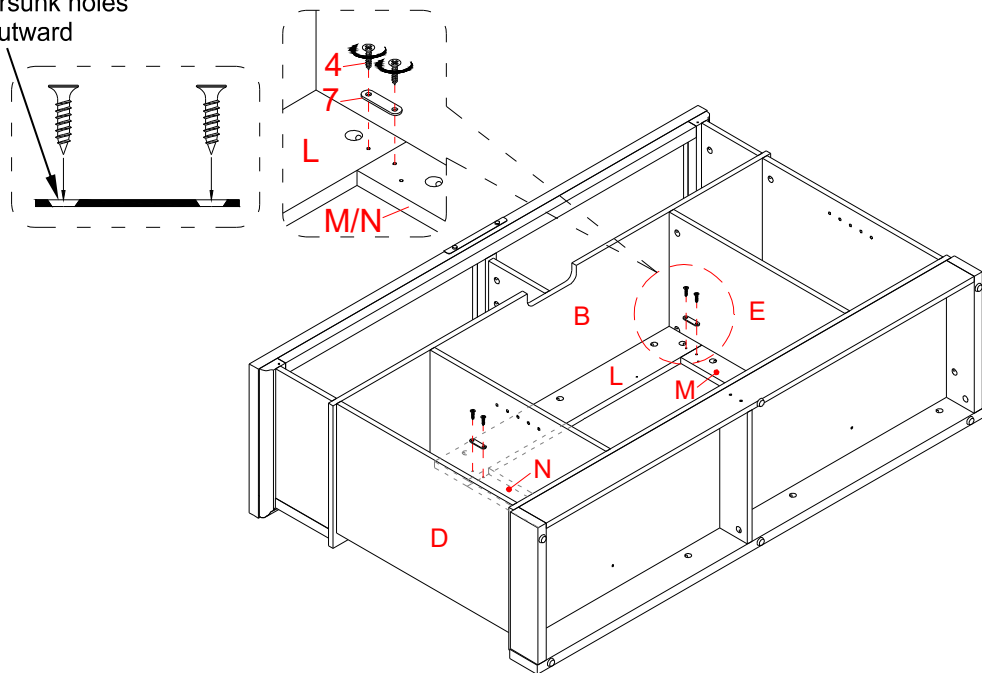


27. Ask for assistance to lay down the assembled unit at its front edges.  
28. Fasten the Middle Crossbar (L) to the Center Shelf (B) by engaging three Cam Locks (1).

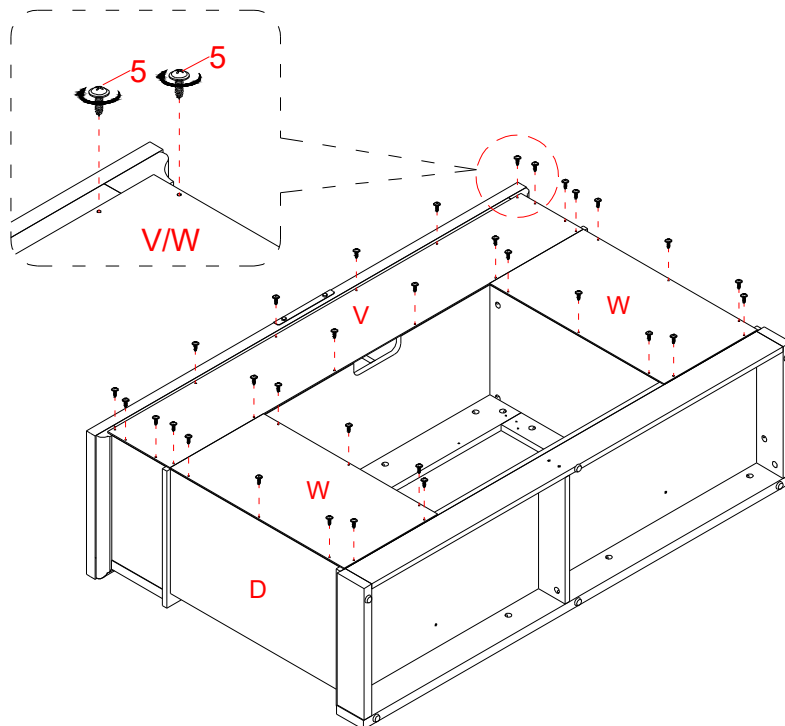


## Assembly Instructions

The countersunk holes  
face outward



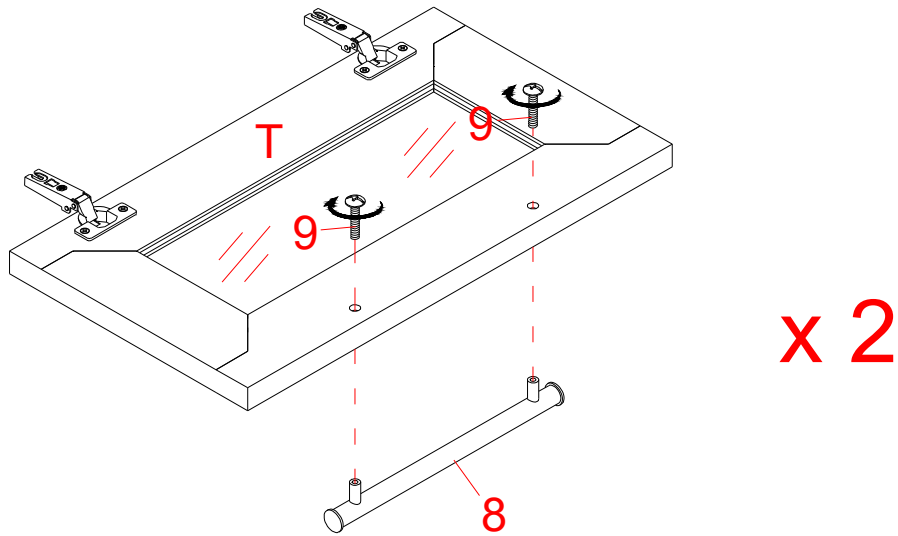
29. Using the pilot holes as a guide, attach two Metal Brackets (7) at the joints where the Middle Crossbar (L) meets the Middle Stiles (M and N) with four 12 mm Screws (4).



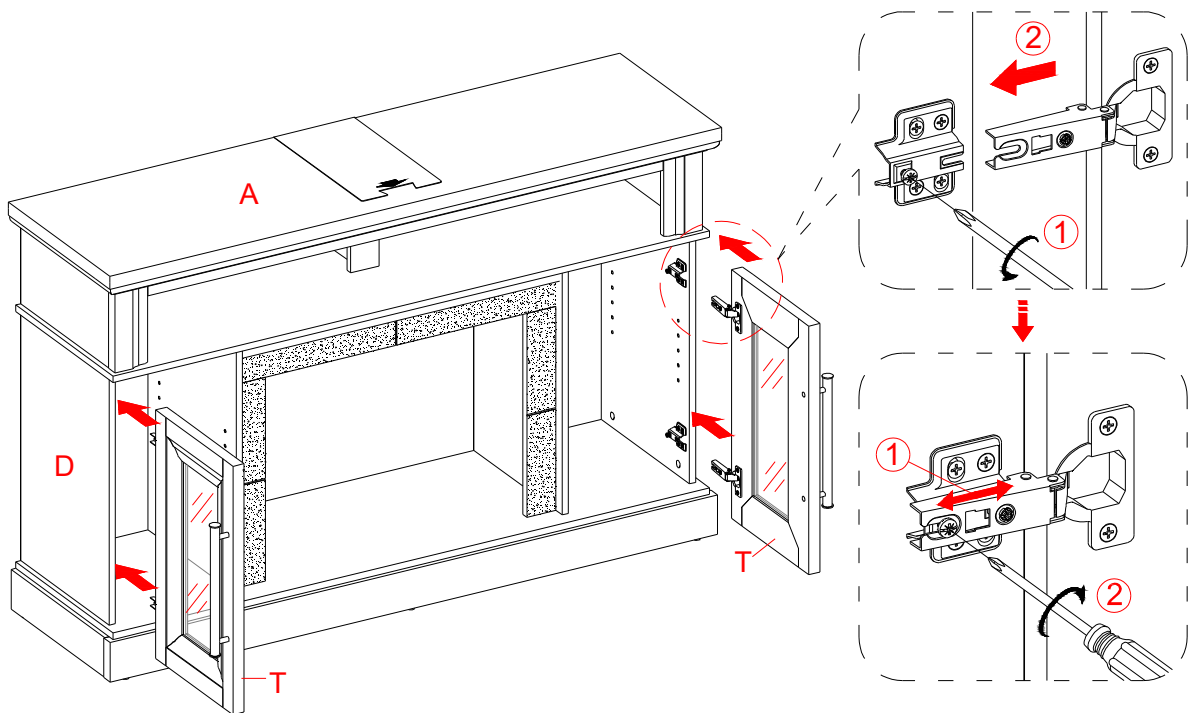
30. Now, go back and tighten all Cam Locks and Screws, make sure that all the parts are tight and there are no gaps between the parts, this will help keep the unit square.
31. Pick up the Upper Back Panel (V) and align the drilled holes against the upper long edge with the pilot holes on the back stretcher of the Top Panel (A). Attach the Upper Back Panel (V) in place using the provided Washer Head Screws (5).
32. Align and attach two Lower Back Panels (W) to the mantel with the provided Washer Head Screws (5), using the pilot holes as a guide.

**NOTE:** We recommend attaching back panel with the screws at the corners first.

## Assembly Instructions



33. Attach one Handle (8) to the front side of each Door (T) with the Handle Bolts (9).



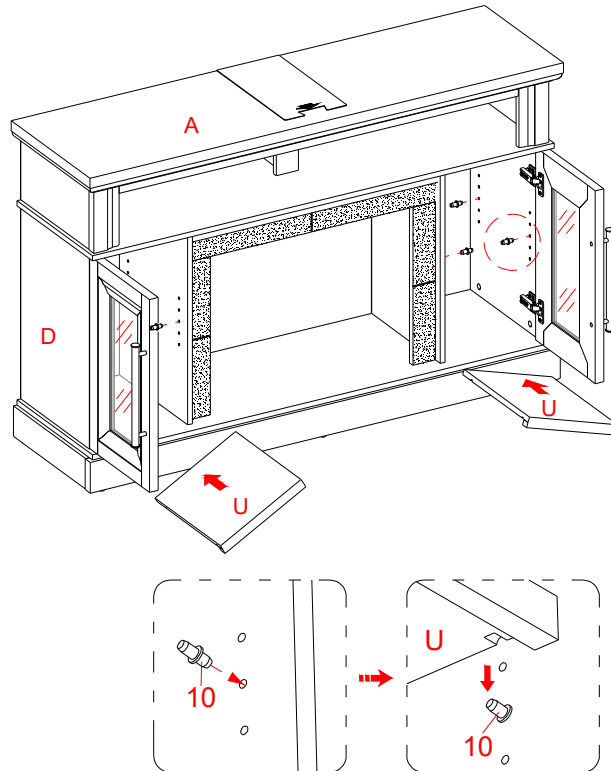
34. Stand the assembled unit upright.

35. Pick up one Door (T) and attach the extended hinge arms to the hinge bases installed on the Left Side Panel (D). Loosen the bolt on the back of the hinge base for an easy fit. Align and insert the “U” slot on the hinge arm under the bolt head on the back of the hinge base. Make sure that both door hinges engage and function properly. Tighten the bolt on the hinge base to lock the hinges in place.

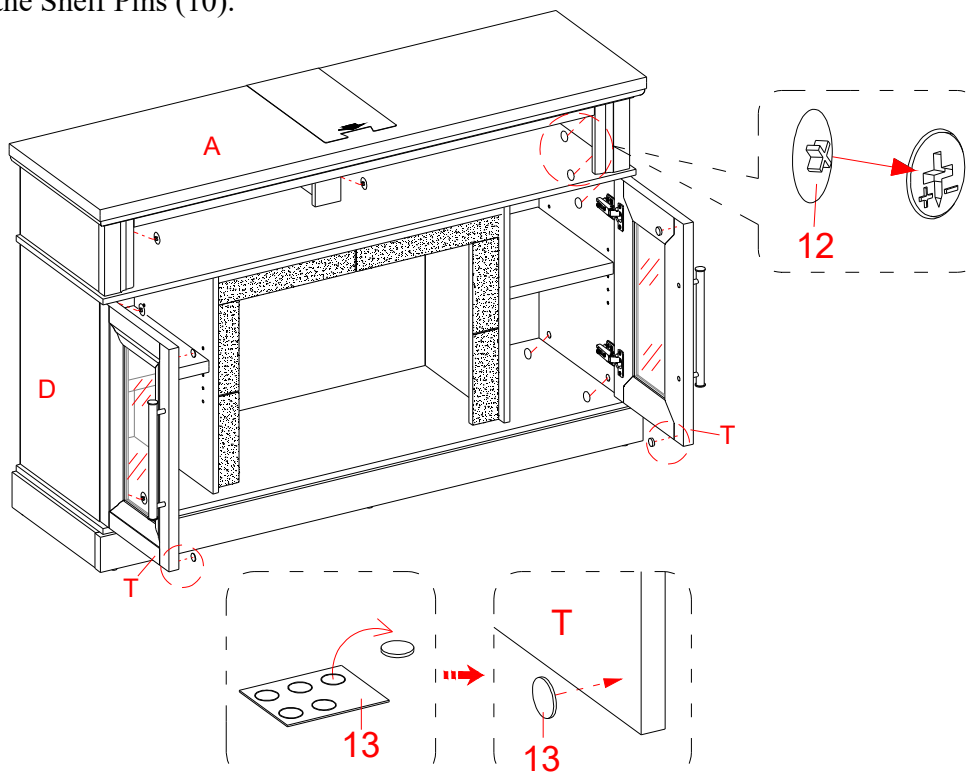
36. Repeat the same procedure to attach the other Door (T) at the opposite side.

37. Open and close the doors to make sure they are aligned and shut correctly. If necessary, adjust the screws for a good fit. Refer to the hinge sticker on the door for adjustment.

## Assembly Instructions

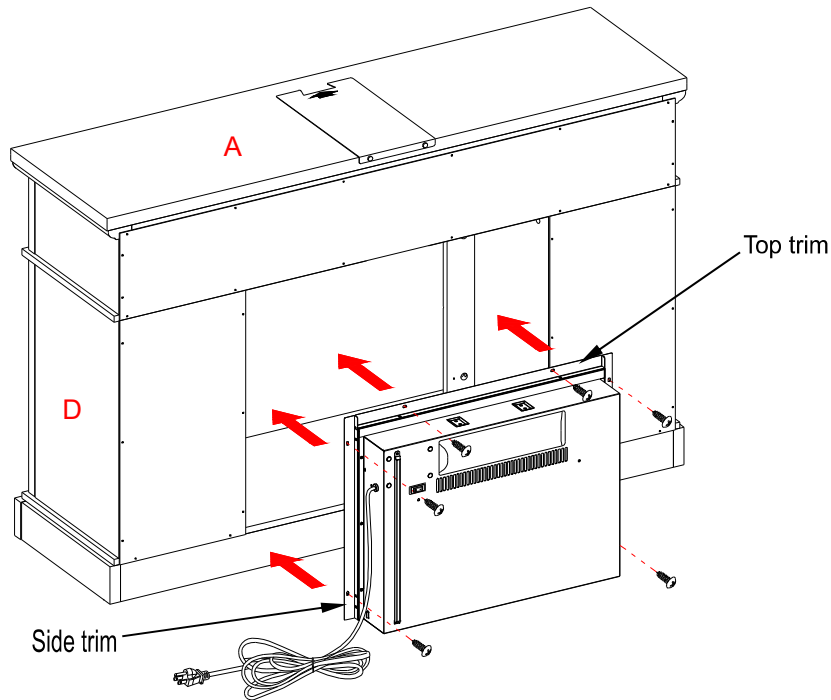


38. Insert eight Shelf Pins (10) into the holes at your desired height inside each compartment. Make sure you place the four Shelf Pins (10) at the same level so the shelf is not tilted. Tilt and rest the Adjustable Shelves (U) onto the Shelf Pins (10).

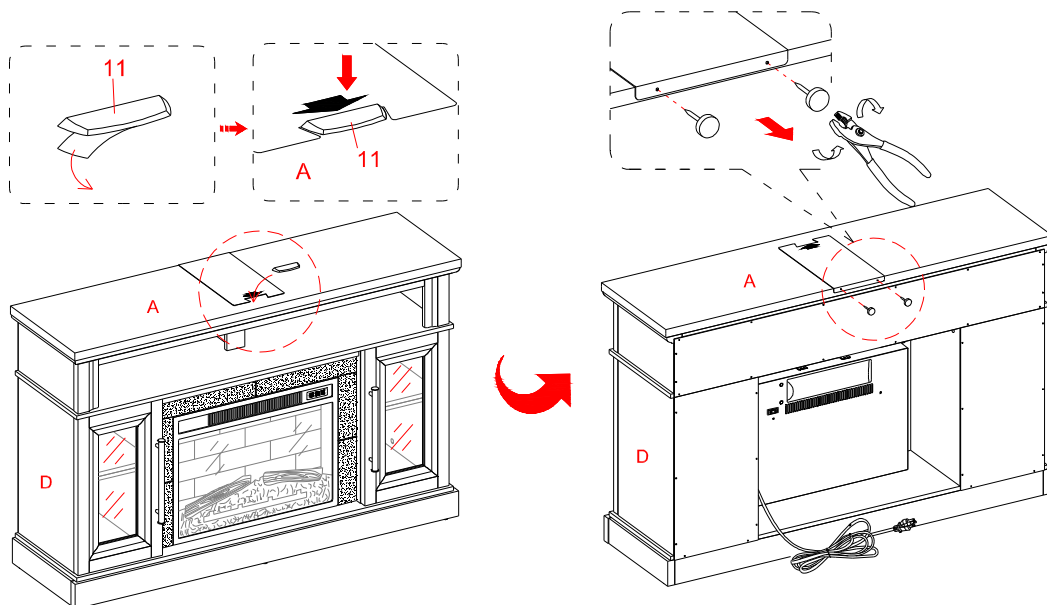


39. Stick the Rubber Bumpers (13) at the outer corners of both Doors (T) where they meet the Lower Partition Panels (E and F).
40. Plug the Cam Lock Covers (12) onto the visible cam locks to conceal the cams.

## Assembly Instructions



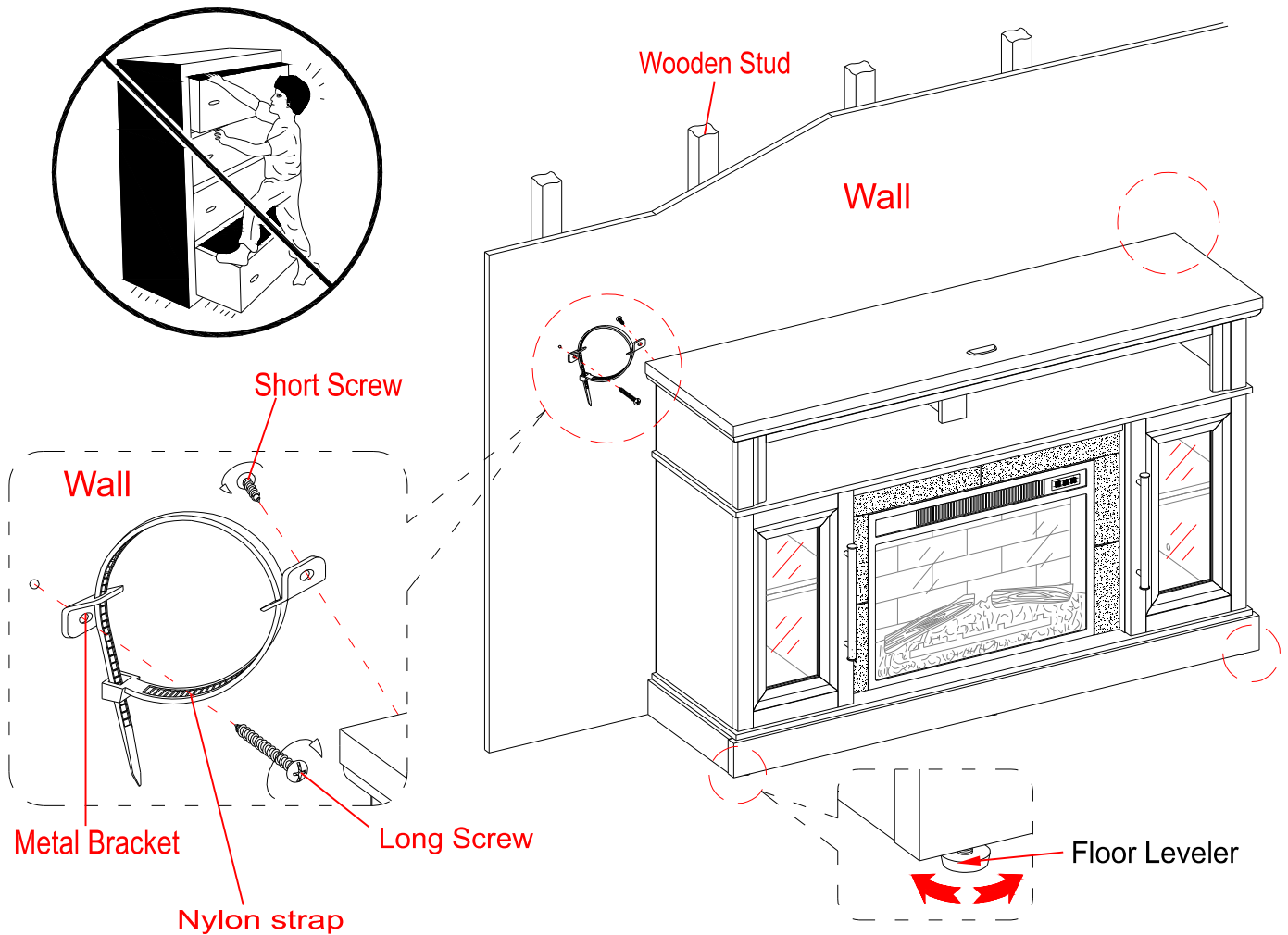
41. Unpack the fireplace insert from the inner box and follow the instructions to install the Top Trim and Side Trims to the fireplace insert.
42. Lift the fireplace insert carefully into the back of the assembled mantel and center it in the opening. DO NOT drag the insert across the Bottom Panel (C) as it may scratch the unit.
43. Fasten the fireplace insert to the mantel with six insert screws as shown.



**NOTE:** To prevent your TV from tipping, you must follow these instructions if you place a TV on top of your console. Otherwise, skip to “Step 44”.

44. Remove the paper backing from the Acrylic Stopper (11), then properly align the Acrylic Stopper into the cut-out on the acrylic stopper template on the Top Panel (A). Press down on the acrylic stopper to help adhesion.
45. At the back of Top Panel (A), grip the head of plastic tack with pliers, with twisting motion pull tack loose to remove the acrylic stopper template.

## Assembly Instructions



**Tools required:** Phillips screwdriver, stud finder, power drill and 1/8" drill bit.

46. Ask for assistance to position the assembled fireplace at the desired location against a wall. If necessary, adjust the installed Floor Levelers at the bottom of the Base to level the unit. Now, follow the instructions printed on the plastic bag containing the Tipping Restraint Hardware to attach the tip-over restraints to the unit and the wall.

**NOTE:** The tipping restraint hardware included is for wooden stud wall construction. It must be attached to a wall stud. Depending upon your wall construction, different anchor hardware maybe required. Please contact your local hardware store for assistance. Young children can be seriously injured by tipping furniture. You must install the Tipping Restraint Hardware with the unit to prevent the unit from tipping, causing any accidents or damage. The tipping restraints are intended only as a deterrent, they are not a substitute for proper adult supervision. The tipping restraints are not earthquake restraints. If you wish to add the extra security of earthquake restraints, they must be purchased and installed separately.

47. Connect the fireplace to the power transformer. Follow the operating manual for the electric fireplace insert to control your fireplace.

## **WARNING**

Please use your furniture correctly and safely. Improper use can cause safety hazards, or damage to your furniture or household items. Carefully read the following safety information.

This unit is not intended for use with CRT TVs. The top surface maximum weight capacity is 80 lbs. (36.3 kg) and maximum load 65in. (165.1 cm) diagonal flat-panel TV. The shelf maximum recommended weight allowance is 50 lbs. (22.7 kg). Use with heavier televisions may result in instability causing tip over resulting in death or serious injury.

Death or serious injury may occur when children climb on audio and/or video equipment furniture. A remote control or toys placed on the furnishing may encourage a child to climb on the furnishing and as a result may tip over onto the child.

**NEVER** allow children to climb or play with the TV or furnishing supporting the TV.

**NEVER** place toys, food, remote, etc. on top of the TV or TV furnishing.

**ALWAYS** use either the safety hardware as instructed or other wall anchoring device.

Relocating audio and/or video equipment to furniture not specifically designed to support audio and/or video equipment may result in death or serious injury due to furniture collapse or over turning onto a child.

**NEVER** place a TV on furniture that is not intended to support a TV.

**NEVER** exceed the maximum size and weight of the TV shown in the instructions.

Be sure to refer to the TV warning label as shown in the instructions.

Overloading drawers and shelves may result in furniture that can break or sag, or tip-over which may result in injury.

**NEVER** exceed the weight limits shown in the instructions.

Place the heavier items on lower shelves as far back from the front as possible.

Load the bottom surfaces first to avoid top-heavy furniture.

Moving furniture that is not designed to be moved or equipped with casters may result in injury or damage to furnishings or personal property.

**ALWAYS** unload shelves and drawers, starting with the top surfaces, before moving.

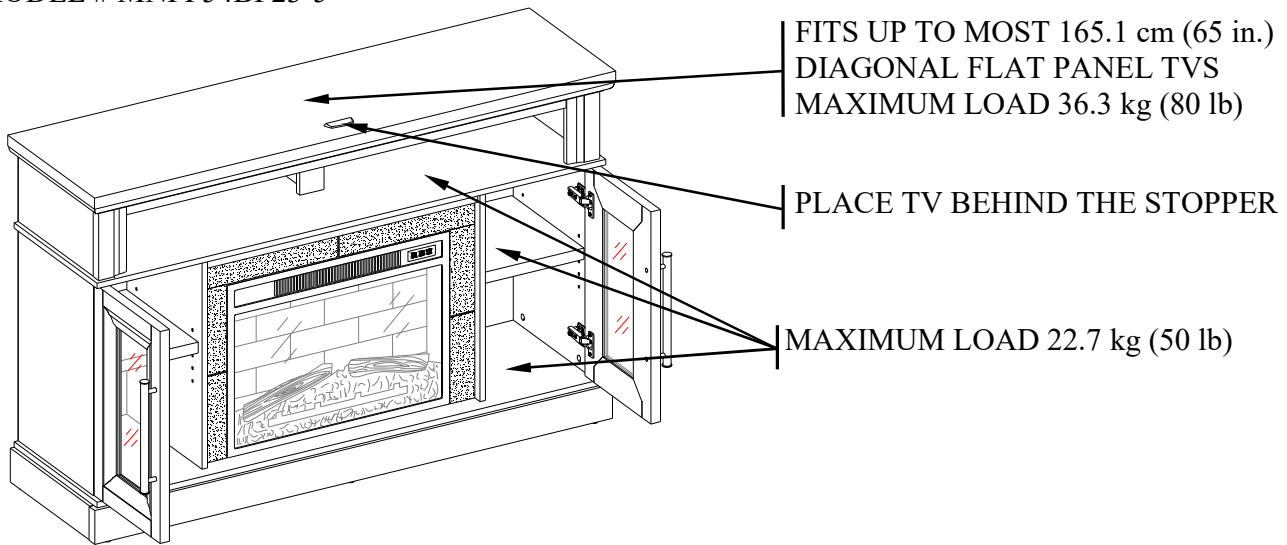
**NEVER** push or pull furniture on carpet. Have a friend help lift properly to move and/or reposition it.

The console is not meant as a seat and no one should be sitting or standing on the stand.

Clean the metal trim using a soft cloth, slightly dampened with citrus oil-based product and buff with a clean soft cloth. **DO NOT** use brass polish or household cleaners as these products will damage the metal trim. Citrus oil-based products can be obtained at supermarkets or hardware stores.

## MAXIMUM RECOMMENDED WEIGHT LOADS

MANUFACTURER: Whalen Furniture Manufacturing  
CATALOG: Sedona 54" Fireplace Console  
MODEL # MNFP54BF23-5



### **WARNING**

THIS UNIT IS NOT INTENDED FOR USE WITH CRT TVS. USE ONLY WITH FLAT PANEL TVS AND AUDIO/VIDEO EQUIPMENT MEETING RECOMMENDED SIZE AND WEIGHT LIMITS. NEVER USE WITH LARGER/HEAVIER THAN RECOMMENDED FLAT PANEL TVS OR EQUIPMENT. TO AVOID INSTABILITY, PLACE FLAT PANEL TV IN THE CENTER OF THE UNIT; THE BASE OF THE TELEVISION MUST BE ABLE TO REST ON THE SUPPORTING SURFACE OF THE UNIT WITHOUT OVER-HANGING THE EDGES. IMPROPERLY POSITIONED FLAT PANEL TVS, OR FLAT PANEL TVS INCLUDING OTHER EQUIPMENT THAT EXCEED RECOMMENDED SIZE AND WEIGHT LIMITS COULD FALL OFF OR BREAK THE UNIT, CAUSING POSSIBLE SERIOUS INJURY. FOR USE WITH TELEVISIONS WEIGHING 80 LBS (36.3 KG) OR LESS. USE WITH HEAVIER TELEVISIONS MAY RESULT IN INSTABILITY CAUSING TIP OVER RESULTING IN DEATH OR SERIOUS INJURY.

## QUALITY GUARANTEE

We are confident that you will be delighted with your Whalen Furniture purchase.

Should this product be defective in workmanship or materials or fail under normal use, we will repair or replace it for up to one (1) year from date of purchase. Every Whalen Furniture product is designed to meet your highest expectations. We guarantee that you will immediately see the value of our fine furniture.

This warranty gives you specific legal rights and you may also have other rights which vary from State to State.

Whalen Furniture Manufacturing  
1578 Air Wing Road, San Diego, CA 92154, USA  
Customer Service: 1-866-942-5362  
8:30 a.m. - 4:30 p.m., PST, Monday to Friday  
[www.whalenfurniture.com](http://www.whalenfurniture.com)

## Care and Maintenance

- Use a soft, clean cloth that will not scratch the surface when dusting.
- Use of furniture polishes is not necessary. Should you choose to use polishes, test first in an inconspicuous area.
- Using solvents of any kind on your furniture may damage the finish.
- Never use water to clean your furniture as it may cause damage to the finish.
- Always use coasters under beverage glasses and flowerpots.
- Liquid spills should be removed immediately. Using a soft, clean cloth, blot the spill gently. Avoid rubbing.
- Always use protective pads under hot dishes and plates. Heat can cause chemical changes that may create spotting within the furniture finish.
- In the event that your furniture is stained or otherwise damaged during use, we recommend that you call a professional to repair your furniture.
- Check bolts/screws periodically and tighten them if necessary.

## Further Advice about Wood Furniture Care

It is best to keep your furniture in a climate-controlled environment. Extreme temperature and humidity changes can cause fading, warping, shrinking and splitting of wood. It is advised to keep furniture away from direct sunlight as sun may damage the finish.

Proper care and cleaning at home will extend the life of your purchase. Following these important and helpful tips will enhance your furniture as it ages.

## Cleaning Trim for Fireplace

Clean the metal trim using a soft cloth, slightly dampened with citrus oil based product and buff with a clean soft cloth. DO NOT use brass polish or household cleaners as these products will damage the metal trim. Citrus oil based products can be obtained at supermarkets or hardware stores.

**A touch-up pen has been provided to minimize the small nicks or scratches that may occur during assembly or shipping.**

We hope you enjoy your purchase for many years.  
Thank you for your purchase!