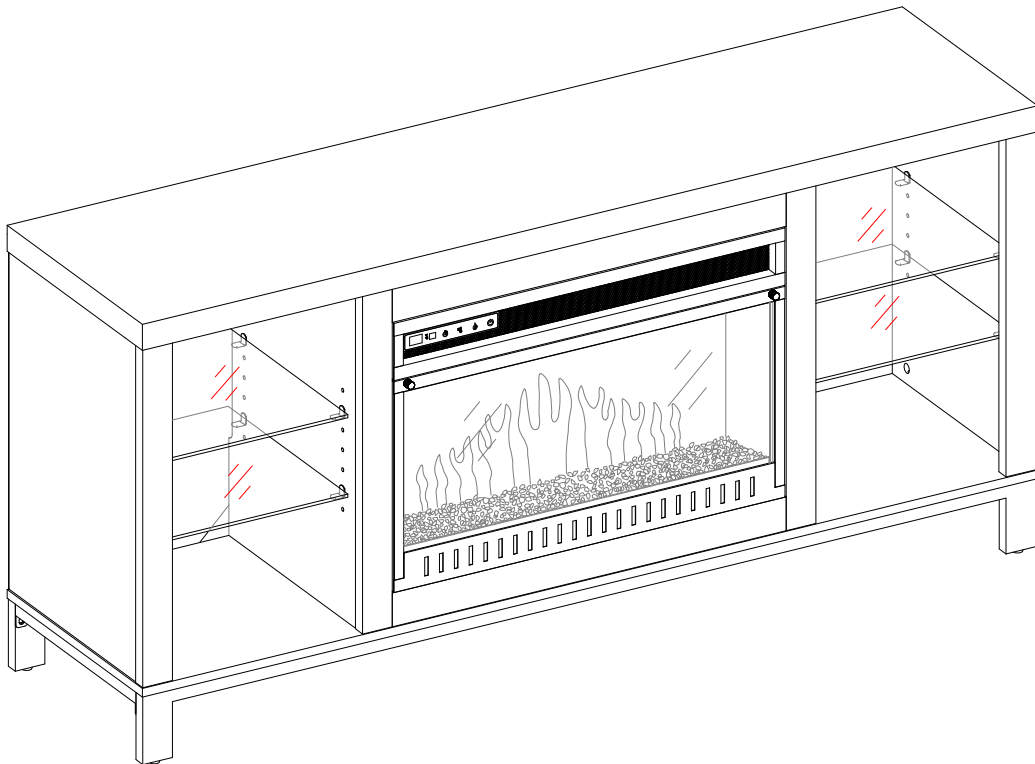




LOT NUMBER: _____
DATE PURCHASED: __/__/__

Parkview 60" Fireplace Console

Model # MNFP60PV26WT
MNFP60PV26BK



ADULT ASSEMBLY REQUIRED

If you have any questions regarding assembly or if parts are missing, DO NOT return this item to the store where it was purchased. Please call our toll-free customer service number and have your instructions and parts list ready to provide the model name, part name or factory number:

1-866-942-5362

Pacific Standard Time: 8:30 a.m. - 4:30 p.m., Monday - Friday
Or visit our web site 24 hours a day, 7 days a week for product assistance at

www.whalenfurniture.com

Or e-mail your request to **parts@whalenfurniture.com**

**THIS INSTRUCTION BOOKLET CONTAINS IMPORTANT SAFETY INFORMATION.
PLEASE READ AND KEEP FOR FUTURE REFERENCE.**

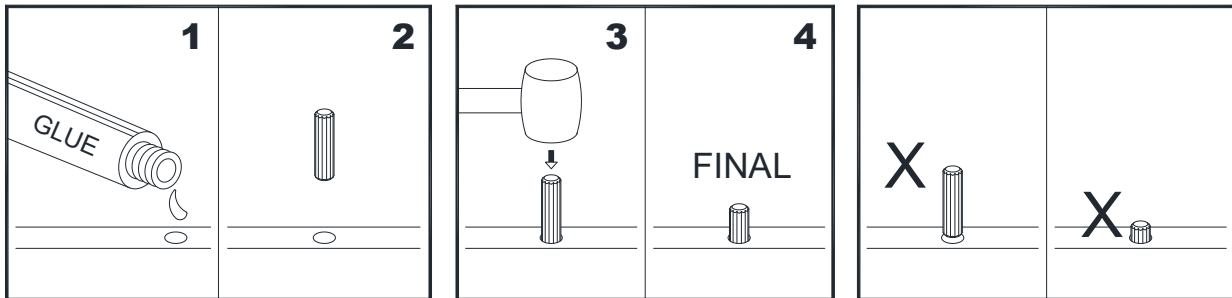
Date 2021-04-22 Rev. 0001-A

IMPORTANT

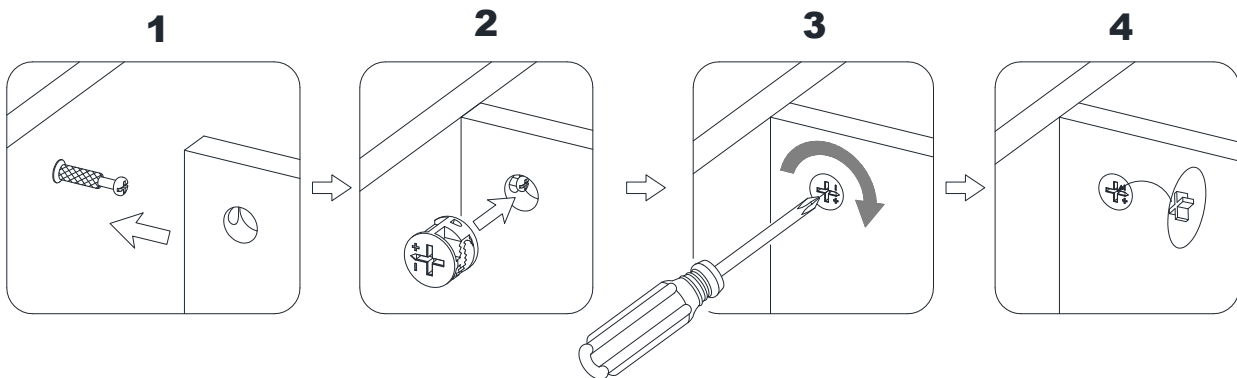
Before you begin: Open, identify and count all parts prior to assembly. Lay out parts on a flat and non-abrasive surface. You will need the parts identified on page 4 and 5 of this instruction manuals.

NOTE: IT IS VERY IMPORTANT TO USE GLUE WITH THE DOWELS. EXCESS GLUE CAN BE WIPED OFF WITH A DAMP CLOTH.

Insert dowel at least half way by tapping lightly with a rubber mallet (not included), IF NECESSARY.



CAM LOCK SYSTEM OPERATION



HOW THE KNOCK DOWN (KD) ASSEMBLY SYSTEM WORKS

1. Screw the Cam Bolt into the pre-drilled small holes on the panel. Connect both panels together; making sure the Cam Bolt goes into the pre-drilled hole at the end of the panel with the Cam Lock.
2. Insert the Cam Lock into the pre-drilled large hole in the panel. Make sure the arrow on the Cam Lock is pointed towards the Cam Bolt.
3. Once the Cam Bolt is connected inside the Cam Lock, take a Phillips screwdriver (not included) and tighten the Cam Lock clockwise.
4. Plug the Cam Lock Cover into the cross slot of the Cam Locks to conceal the cam.

You are now ready to assemble the KD unit.

Carefully Read all Instructions Installing and Operating Fixture

IF YOU HAVE ANY QUESTIONS REGARDING THE PROPER INSTALLATION CONSULT A QUALIFIED ELECTRICIAN

⚠ WARNING TO REDUCE THE RISK OF FIRE, ELECTRICAL SHOCK OR INJURY TO PERSONS, PLEASE FOLLOW THE NEXT:

- Use only insulated staples or plastic ties to secure the cords.
- Route and secure cords so that they will not be pinched or damage when the console is pushed to the wall.
- Make sure cord is not pinched between console and floor.
- Do not use an extension cord, use power strip with integral over current protection to supply other electrical devices or accessories in cabinet.
- Keep cord or combustibles such as plastic, paper goods and the like, away from hot lamp, lamp holder or reflector.
- Position the portable cabinet light with respect to the cabinet so the lamp replacement markings are able to be read during relamping.
- Not intended for illumination of aquariums.
- Not intended for installation on plastic cabinets.
- Turn off/unplug and cooling before change bulb.
- Do not touch the surface when working.

⚠ WARNING Modifications not approved by the party responsible for compliance could void user's authority to operate the equipment.

IMPORTANT SAFETY INSTRUCTIONS

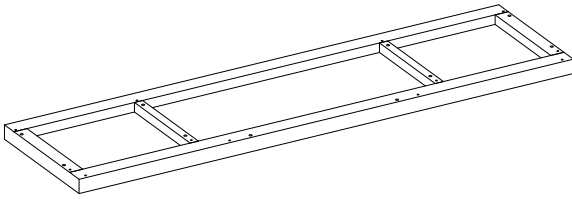
Lighted lamp is **HOT**:

⚠ WARNING To reduce the risk of **FIRE, ELECTRIC SHOCK, EXPOSURE TO EXCESSIVE UV RADIATION, OR INJURY TO PERSONS:**

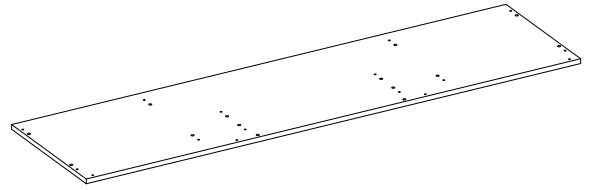
- 1) Turn off/unplug and allow to cool before replacing bulb (lamp).
- 2) Bulb (lamp) gets **HOT** quickly! Only contact switch/plug when turning on.
- 3) Do not touch hot lens, guard, or enclosure.
- 4) Do not remain in light if skin feels warm.
- 5) Do not look directly at lighted lamp.
- 6) Keep lamp away from materials that may burn.
- 7) Use only with a 2 watt or smaller bulb (lamp).
- 8) Do not touch the bulb (lamp) at any time. Use a soft cloth. Oil from skin may damage bulb (lamp).
- 9) Do not operate the portable luminaries with a missing or damaged guard, lamp containment barrier, or UV filter.

Parts and Hardware List

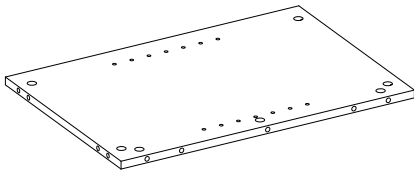
Please read completely through the instructions and verify that all listed parts and hardware are present before beginning assembly.



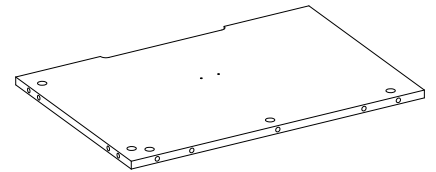
A- Top Panel (Qty. 1)



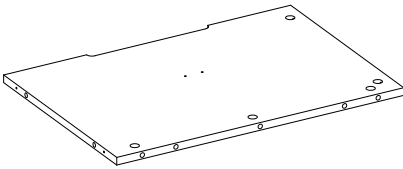
B- Bottom Panel (Qty. 1)



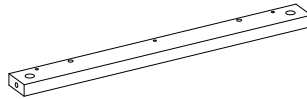
C- Side Panel (Qty. 2)



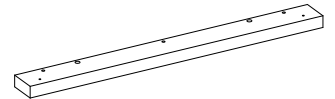
D- Left Partition Panel (Qty. 1)



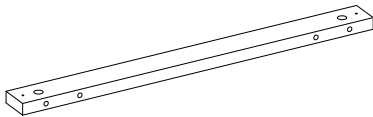
E- Right Partition Panel (Qty. 1)



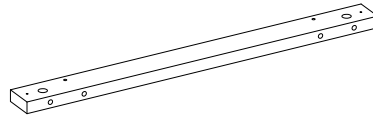
F- Side Panel Molding (Qty. 2)



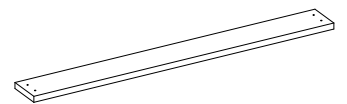
G- Middle Stile (Qty. 2)



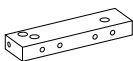
H- Middle Crossbar (Qty. 1)



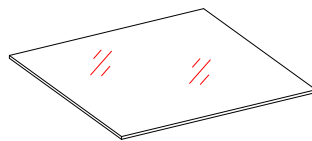
I- Firebox Long Support (Qty. 1)



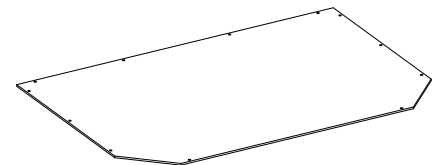
J- Firebox Holder (Qty. 1)



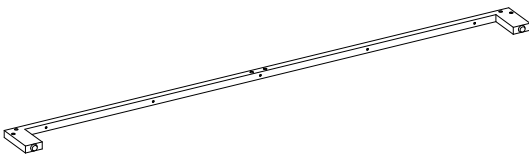
K- Firebox Short Support (Qty. 2)



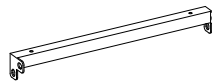
L - Glass Shelf (Qty. 4)



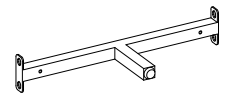
M- Back Panel (Qty. 2)



N- Base Front / Back Stretcher (Qty. 2)



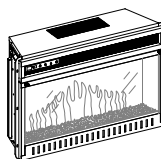
O- Base Side Stretcher (Qty. 2)



P- Base Middle Stretcher (Qty. 1)



Q- Led Strip (Qty. 4)



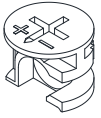
Fireplace Insert (Qty. 1)



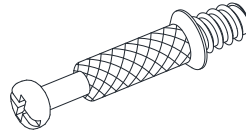
Remote Control with Battery (Qty. 1)

Parts and Hardware List

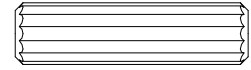
Please read completely through the instructions and verify that all listed parts and hardware are present before beginning assembly.



(1) Cam Lock
(Qty. 38+1 extra)



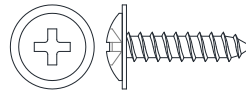
(2) Cam Bolt
(Qty. 38+1 extra)



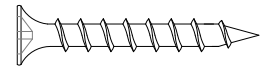
(3) M8 x 30 mm Wood Dowel
(Qty. 32+1 extra)



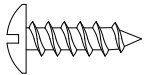
(4) M3.5 x 12 mm Screw
(Qty. 8+1 extra)



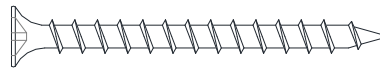
(5) M3.5 x 15 mm Washer Head Screw
(Qty. 24+1 extra)



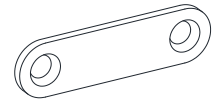
(6) M4 x 32 mm Screw
(Qty. 16+1 extra)



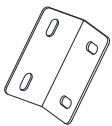
(7) M3.5 x 15 mm Pan Head Screw
(Qty. 8+1 extra)



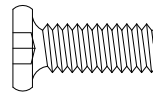
(8) M4 x 50 mm Screw
(Qty. 4+1 extra)



(9) Mending Plate
(Qty. 4)



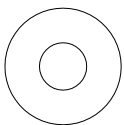
(10) L-shaped Metal Bracket
(Qty. 2)



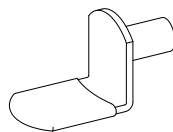
(11) 1/4'' x 16 mm Bolt
(Qty. 12+1 extra)



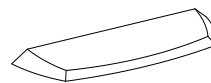
(12) Lock Washer
(Qty. 12+1 extra)



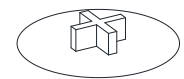
(13) Flat Washer
(Qty. 12+1 extra)



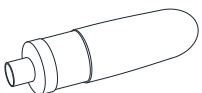
(14) Shelf Support
(Qty. 16+1 extra)



(15) Acrylic Stopper
(Qty. 1)



(16) Cam Lock Cover
(Qty. 10+1 extra)



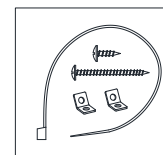
Glue
(Qty. 1)



Hex Wrench
(Qty. 1)



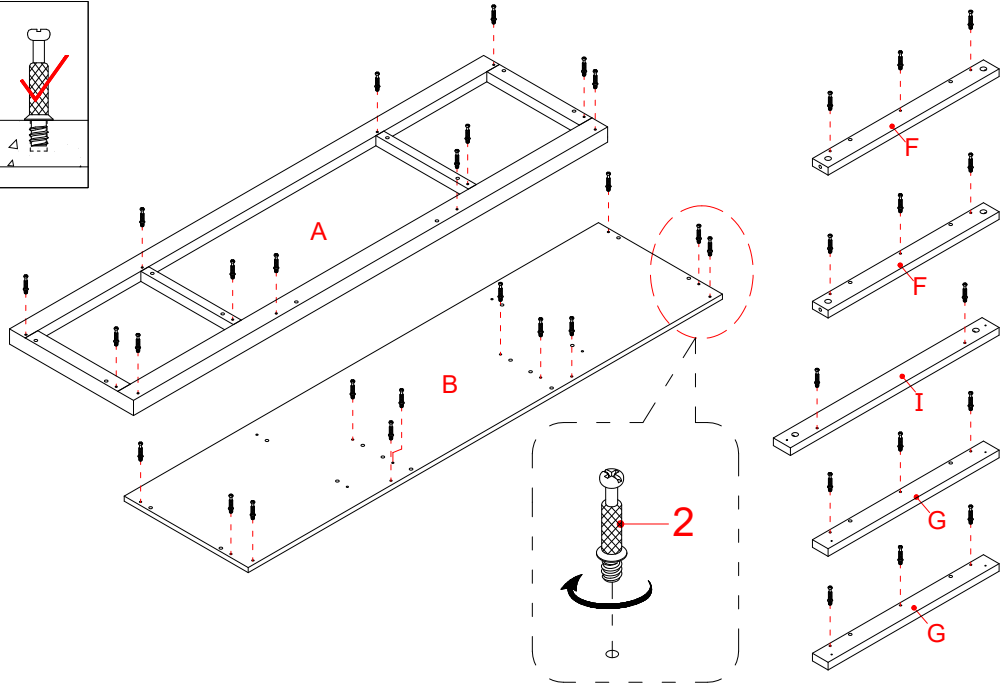
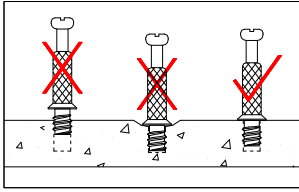
Touch-up Pen (Qty. 1)
(Only used for the black color)



Tipping Restraint Hardware Kit (Qty. 2)
(Included in plastic bag)

Tools required (not included): Phillips screwdriver, stud finder, pencil, tape measure, power drill and 1/8'' drill bit.

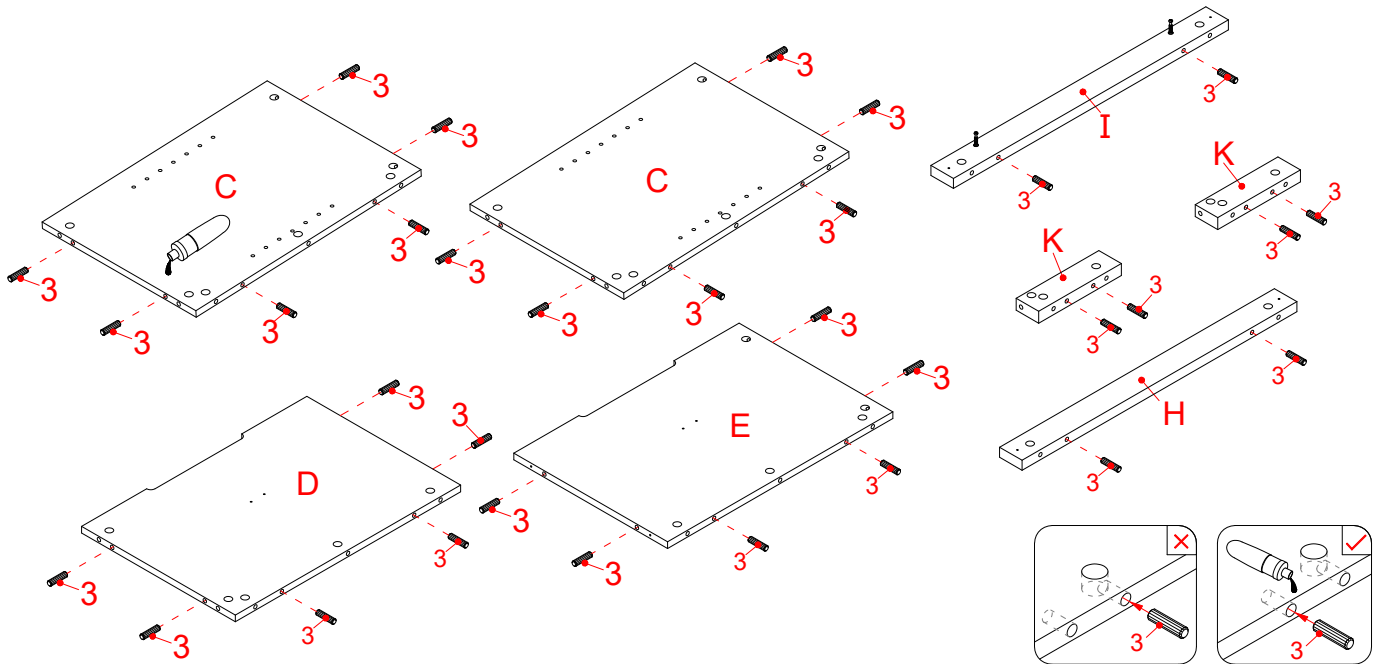
Assembly Instructions



NOTE: Please do not fully tighten all bolts until you finish assembling all parts. Once assembled, go back and fully tighten all bolts. This will make the assembly easier.

1. Unpack the unit and confirm that you have all the hardware and required parts. Assemble the unit on a carpeted floor or the empty carton to avoid any scratch.
2. Securely screw the Cam Bolts (2) into the designated small holes on the Top Panel (A), Bottom Panel (B), Side Panel Moldings (F), Middle Stiles (G) and Firebox Long Support (I) with a Phillips screwdriver.

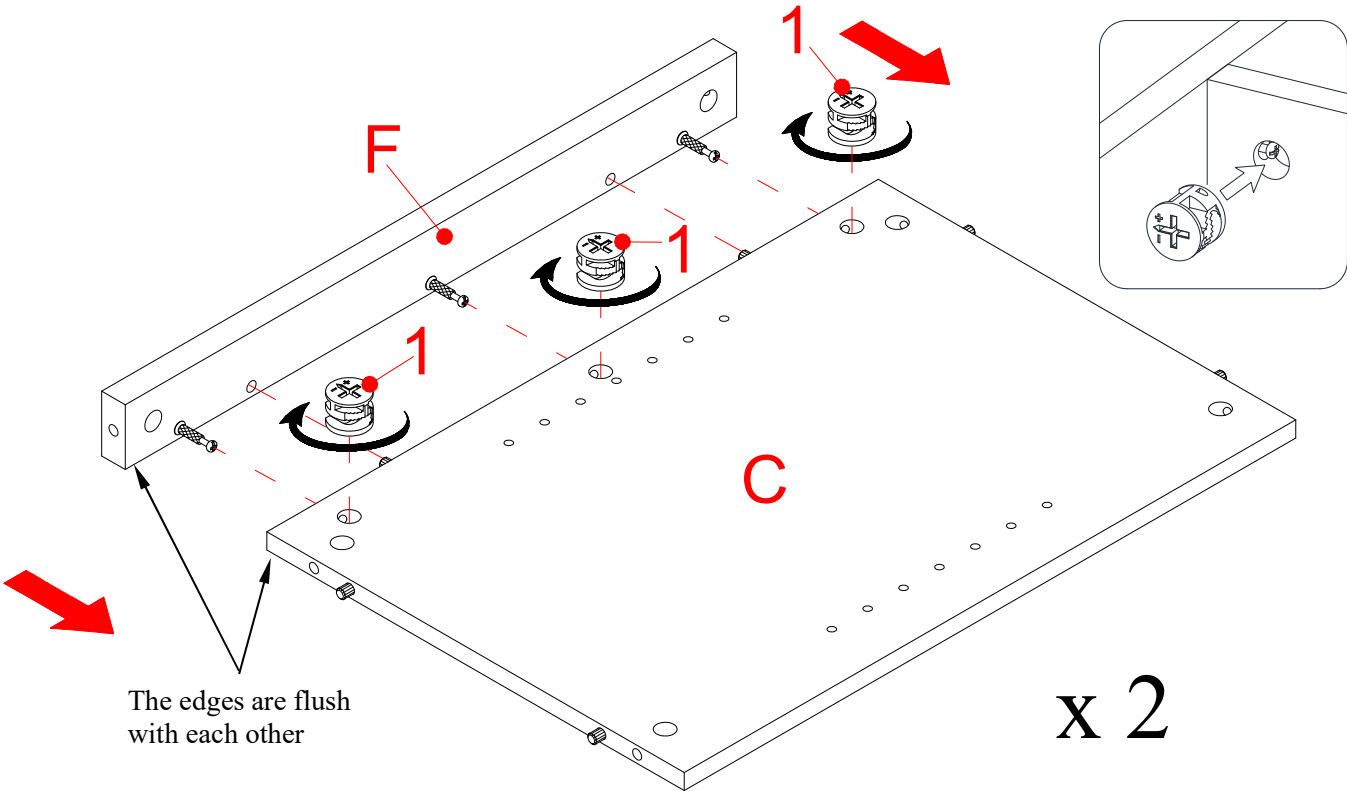
NOTE: Screw-in cam bolts must be screwed down flush.



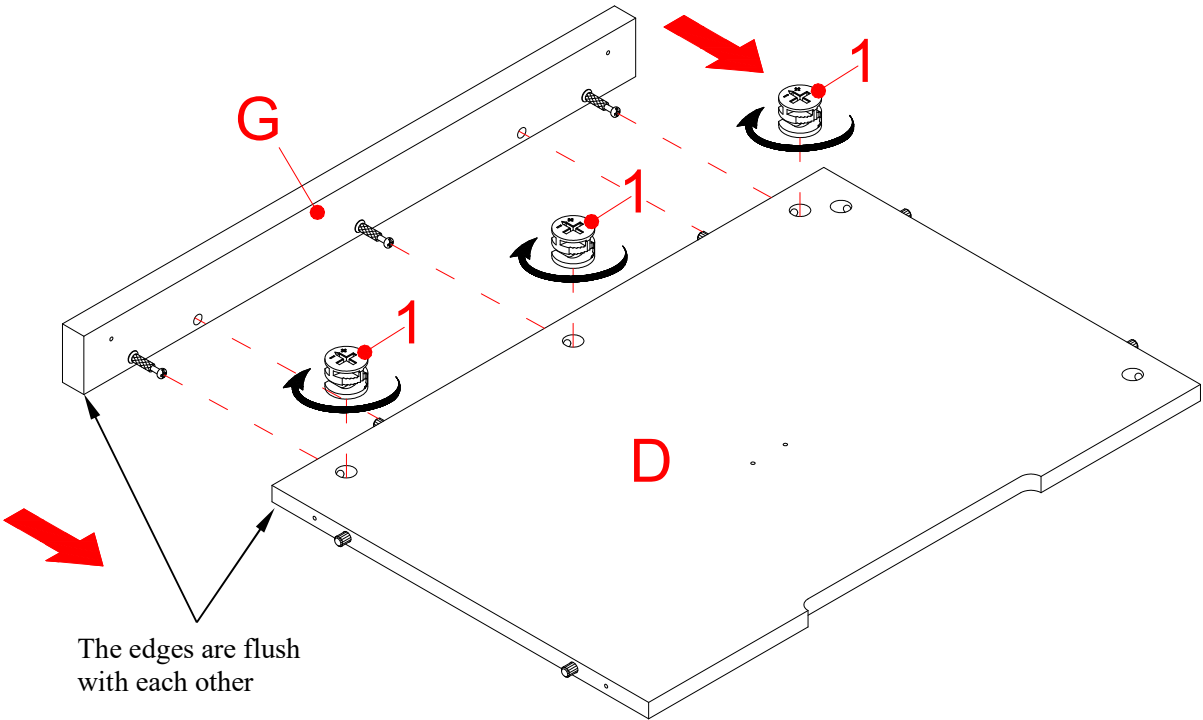
3. Glue the Wood Dowels (3) into the drilled holes on the Side Panels (C), Partition Panels (D and E), Middle Crossbar (H), Firebox Supports (I and K).

NOTE: It is very important to use a small amount of glue on both ends of dowels.

Assembly Instructions

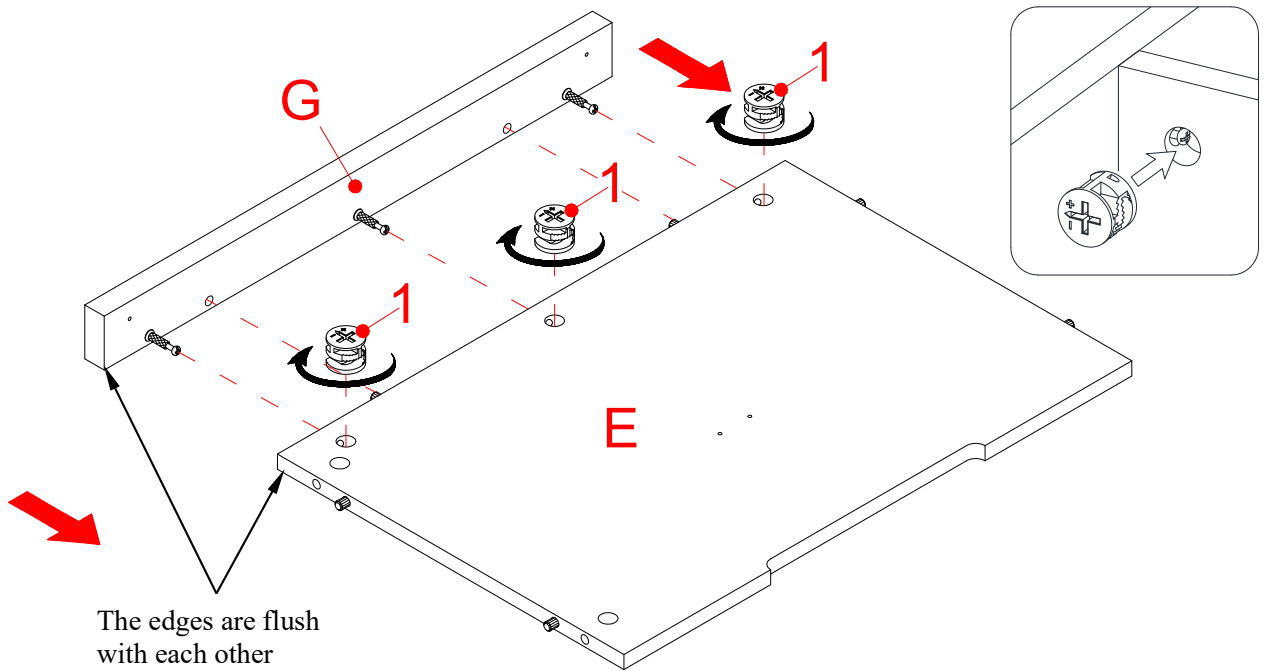


- 4. Align and attach the Side Panel Moldings (F) to the Side Panels (C) by engaging three Cam Locks (1) in each. (Refer to page 2 on Cam Lock system operation supplement).

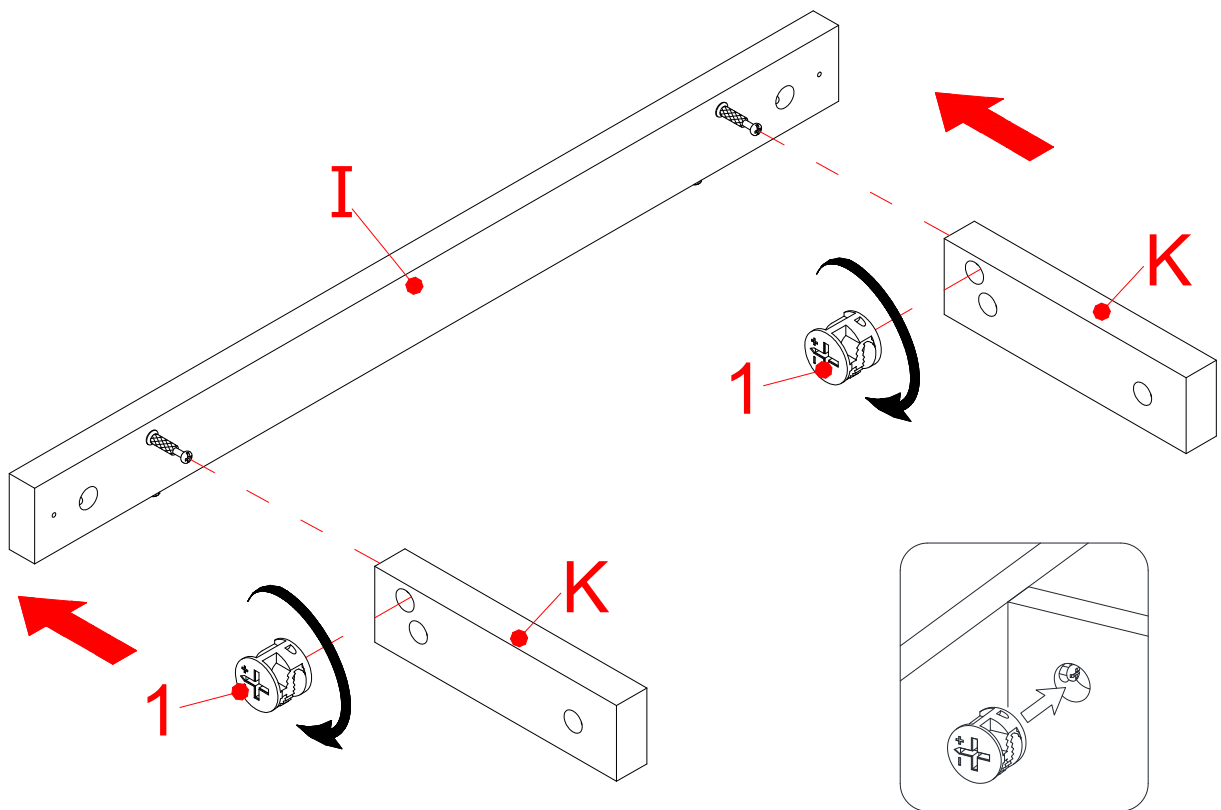


- 5. Attach one Middle Stile (G) to the Left Partition Panel (D) by engaging three Cam Locks (1).

Assembly Instructions

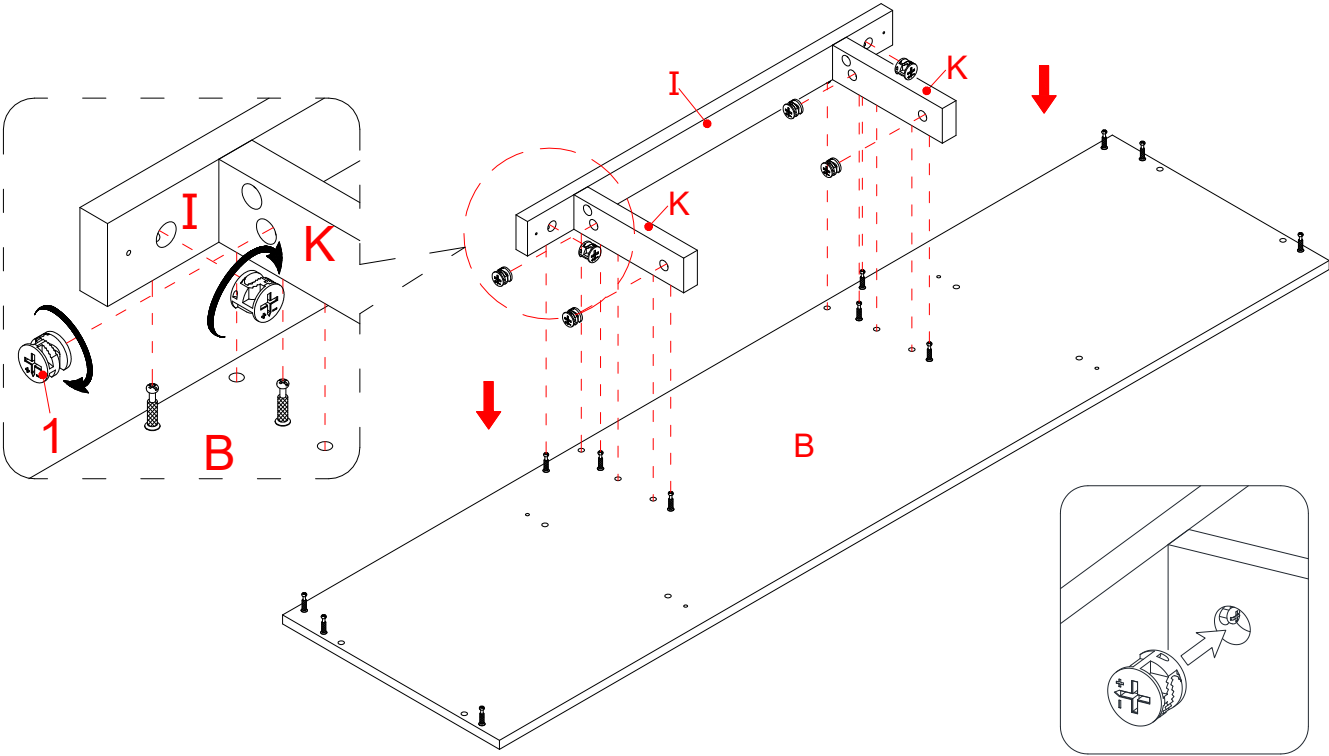


6. Repeat the same procedure to attach the other Middle Stile (G) to the Right Partition Panel (E).

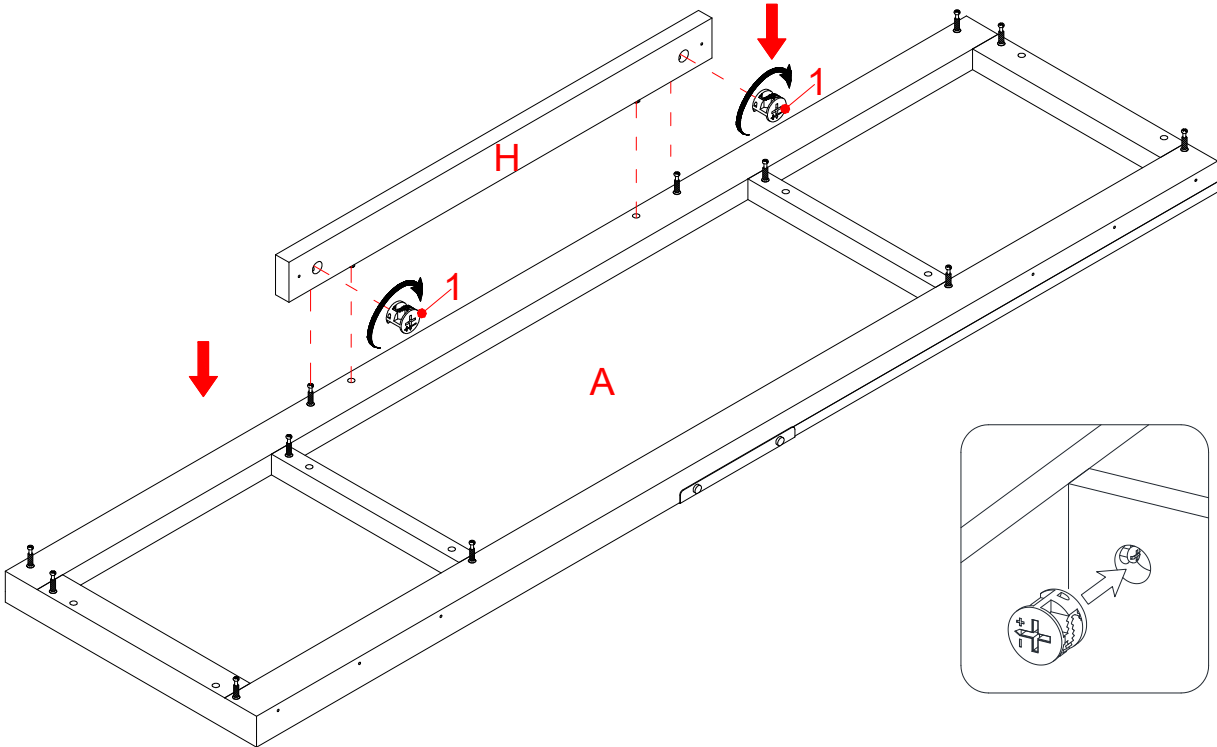


7. Attach two Firebox Short Supports (K) to the Firebox Long Support (I) by engaging two cam locks (1).

Assembly Instructions



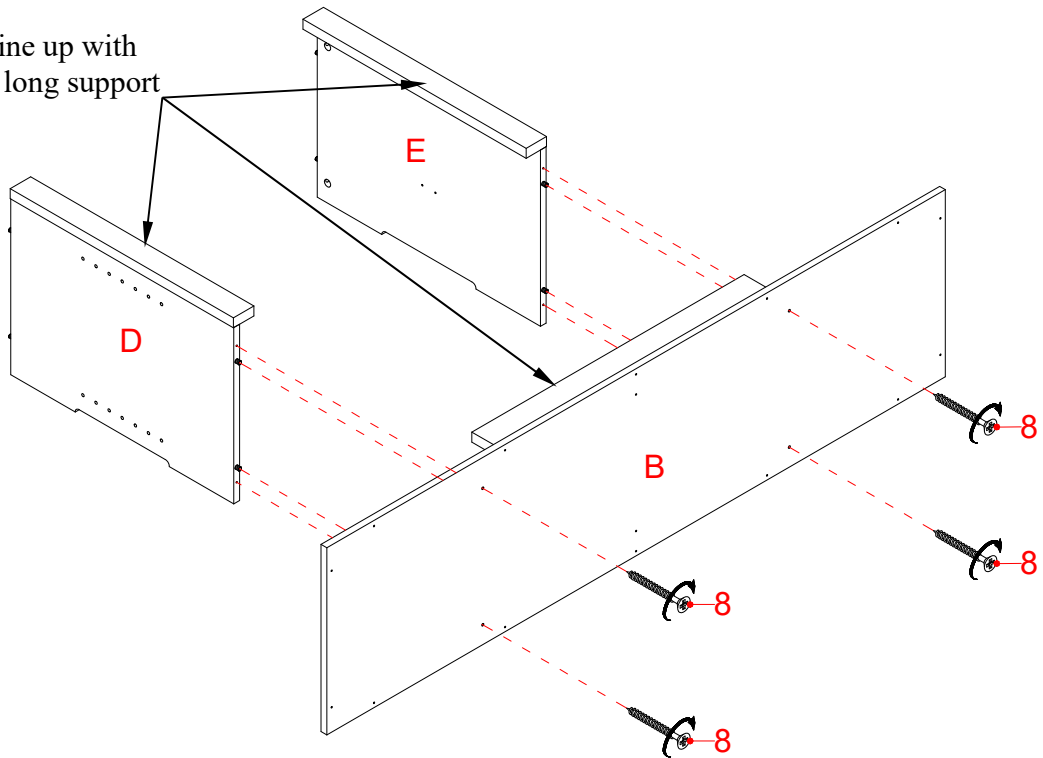
8. Attach the previous assembly to the Bottom Panel (B) by engaging six Cam Locks (1).



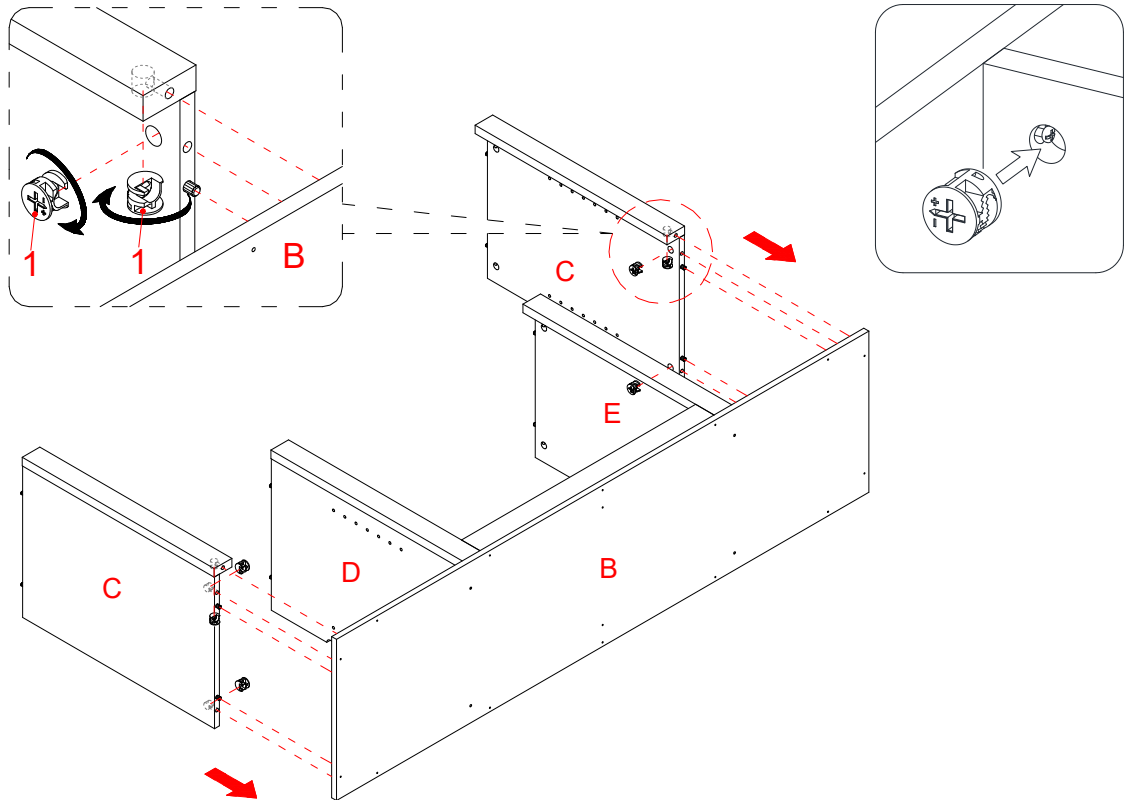
9. Attach the Middle Crossbar (H) to the Top Panel (A) with two Cam Locks (1).

Assembly Instructions

The stiles line up with the firebox long support

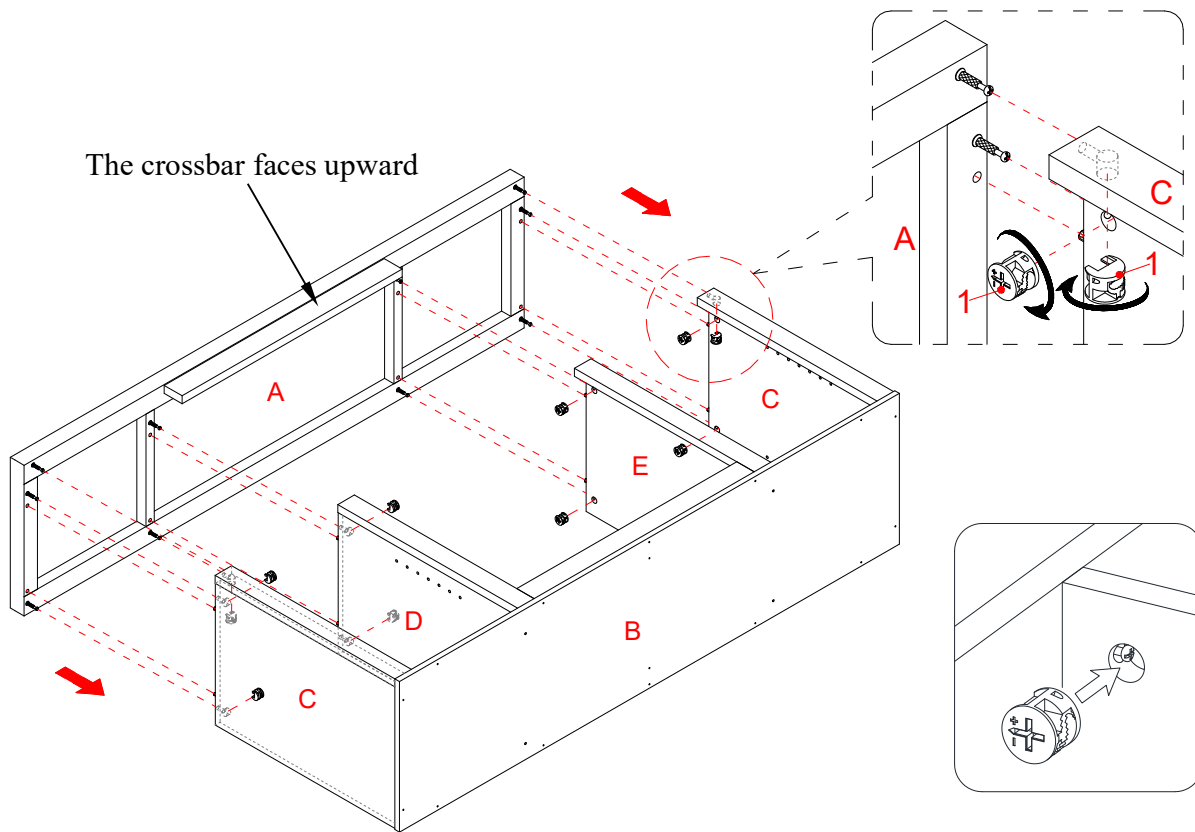


- Using the wood dowels as a guide, firmly press the Partition Panels (D and E) to the Bottom Panel (B) and fasten them in place with four 50 mm Screws (8). Fully tighten the screws with a Phillips screwdriver.

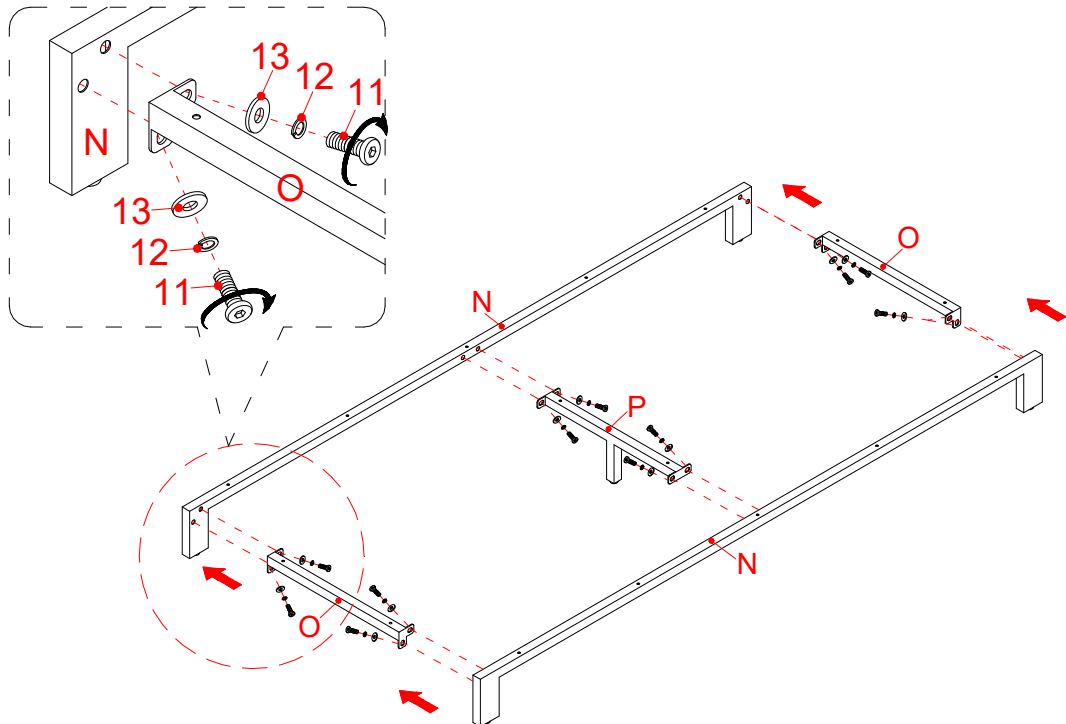


- Attach the Side Panel Assemblies (C) to the Bottom Panel (B) by engaging six Cam Locks (1).

Assembly Instructions

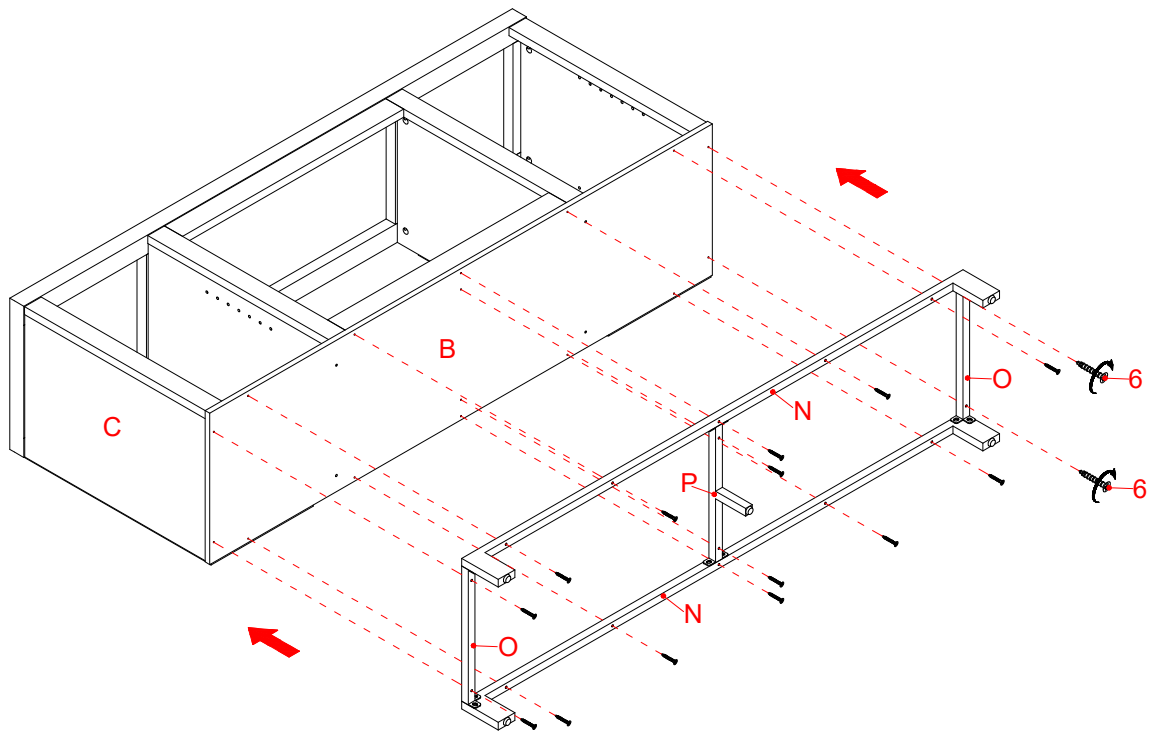


12. Place the Top Panel (A) onto the vertical panels properly and fasten it in place by engaging eight Cam Locks (1).

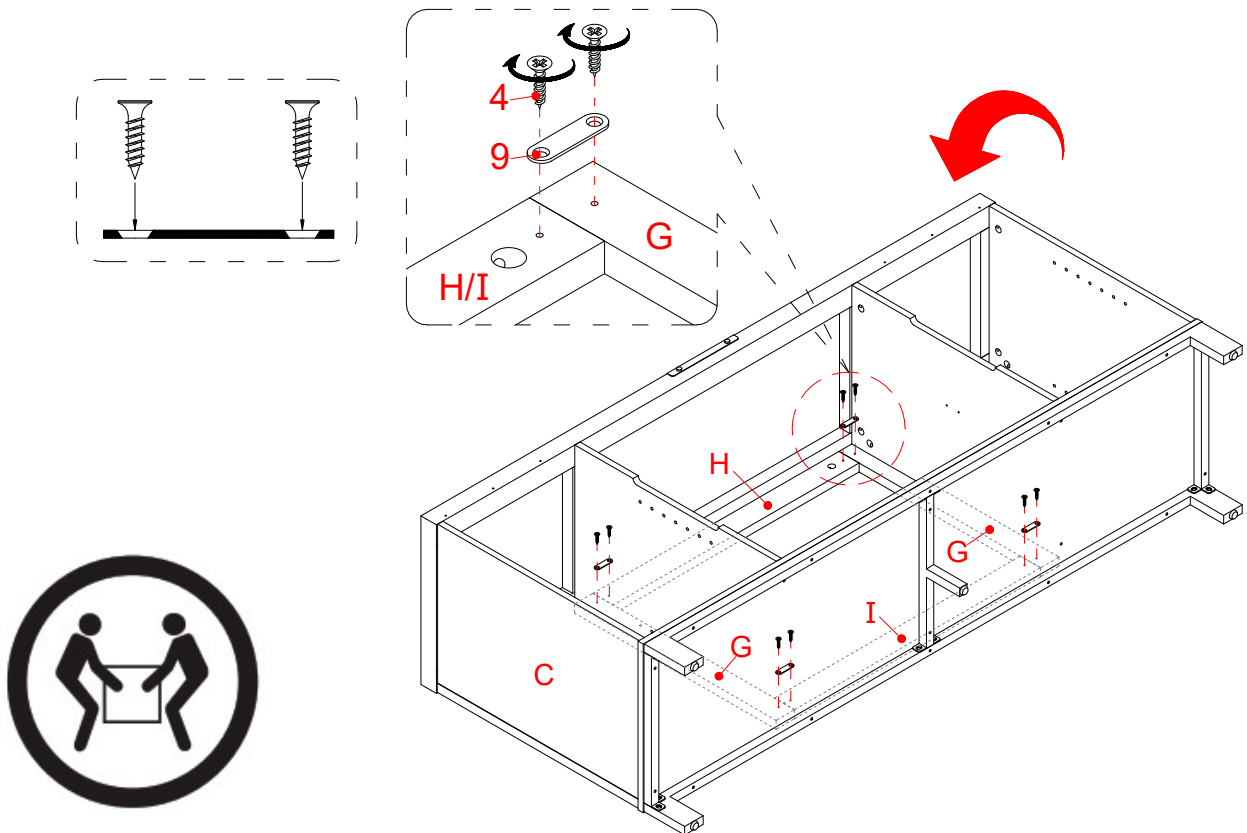


13. Attach the Base Side Stretchers (O) and Base Middle Stretcher (P) to the Base Back Stretcher (N) by inserting six 16 mm Bolts (11) with Washers (12 and 13) through the metal tabs and secure them into place.
14. Repeat the same procedure to attach the Base Front Stretcher (N) at the opposite end.

Assembly Instructions



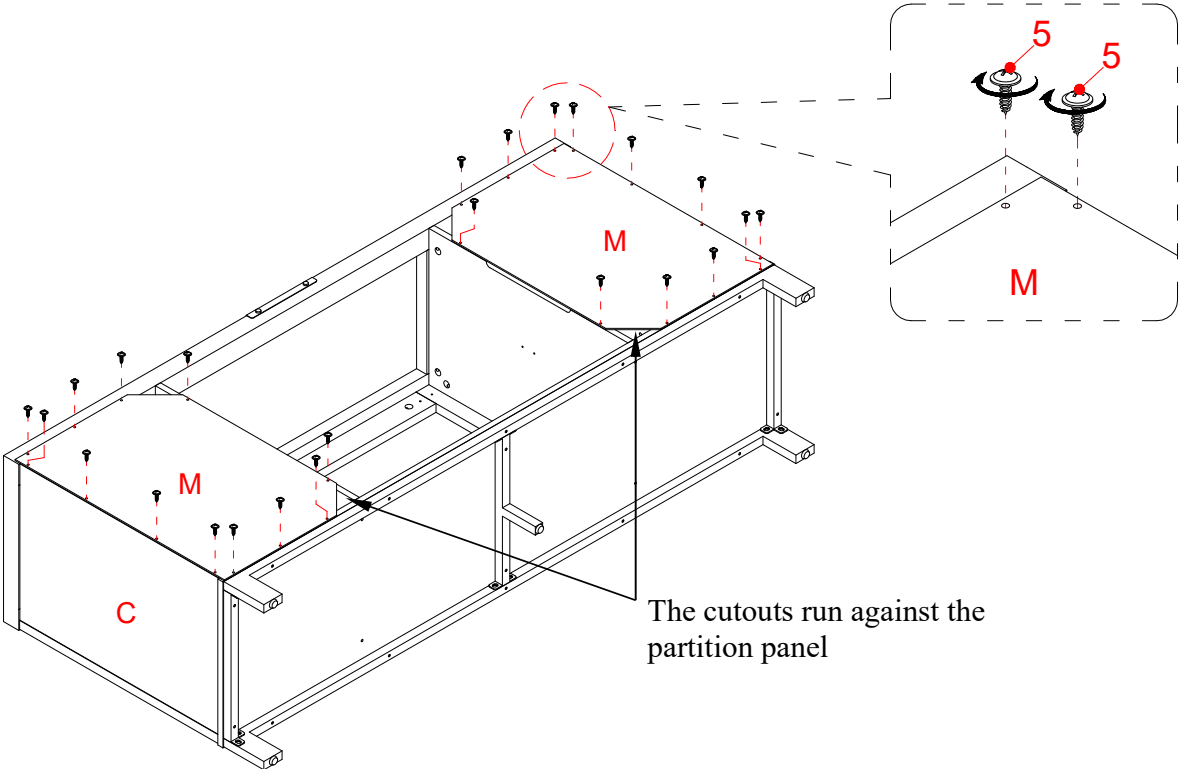
15. Fasten the assembled base to the Bottom Panel (B) with sixteen 32 mm Screws (6).



16. Ask for assistance to flip the unit around at its front edges as shown.

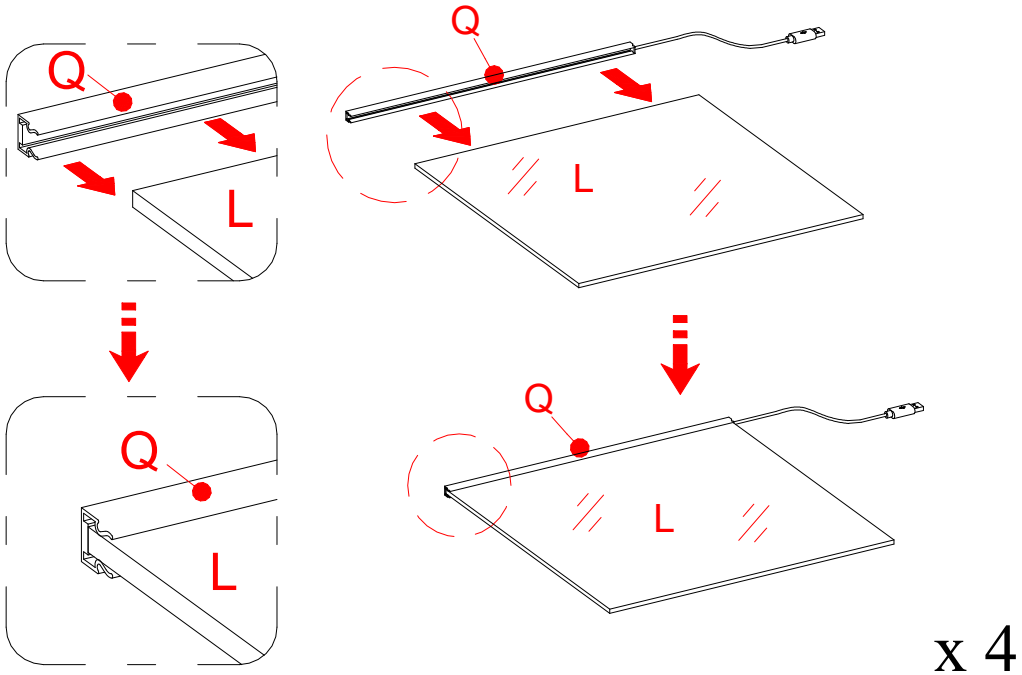
17. With the pilot holes as a guide, fasten the Middle Crossbar (H) and Firebox Long Support (I) to the Middle Stiles (G) by attaching four Mending Plates (9) at the joints, using two 12 mm Screws (4) per plate.

Assembly Instructions



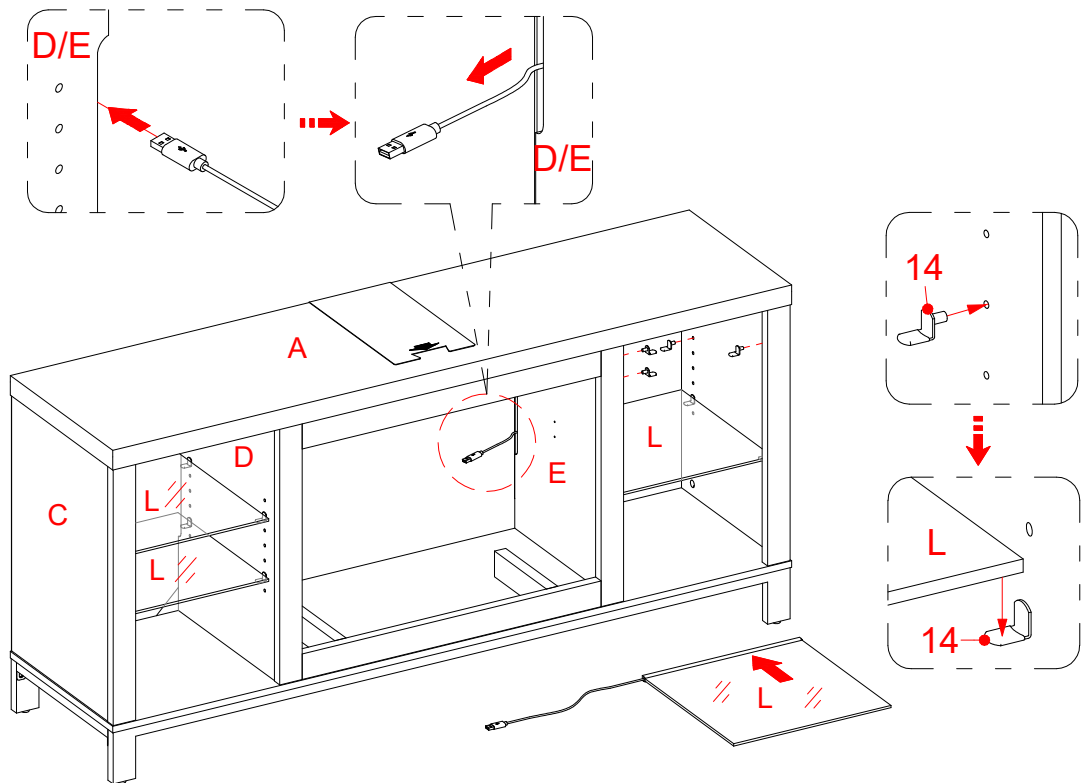
- 18. Now, go back and securely tighten all the cam locks and screws. Make sure that all the parts are tight and there are no gaps between the parts. This will help keep the unit square.
- 19. Pick up one Back Panel (M) and align the pre-drilled holes to the pilots holes on the back of Top Panel (A), attach the Back Panel (M) in place with the provided 15 mm Washer Head Screws (5).
- 20. Repeat the same procedure to attach the other Back Panel (M) to the side compartment.

NOTE: We recommend attaching back panel with washer head screws at the corners first.



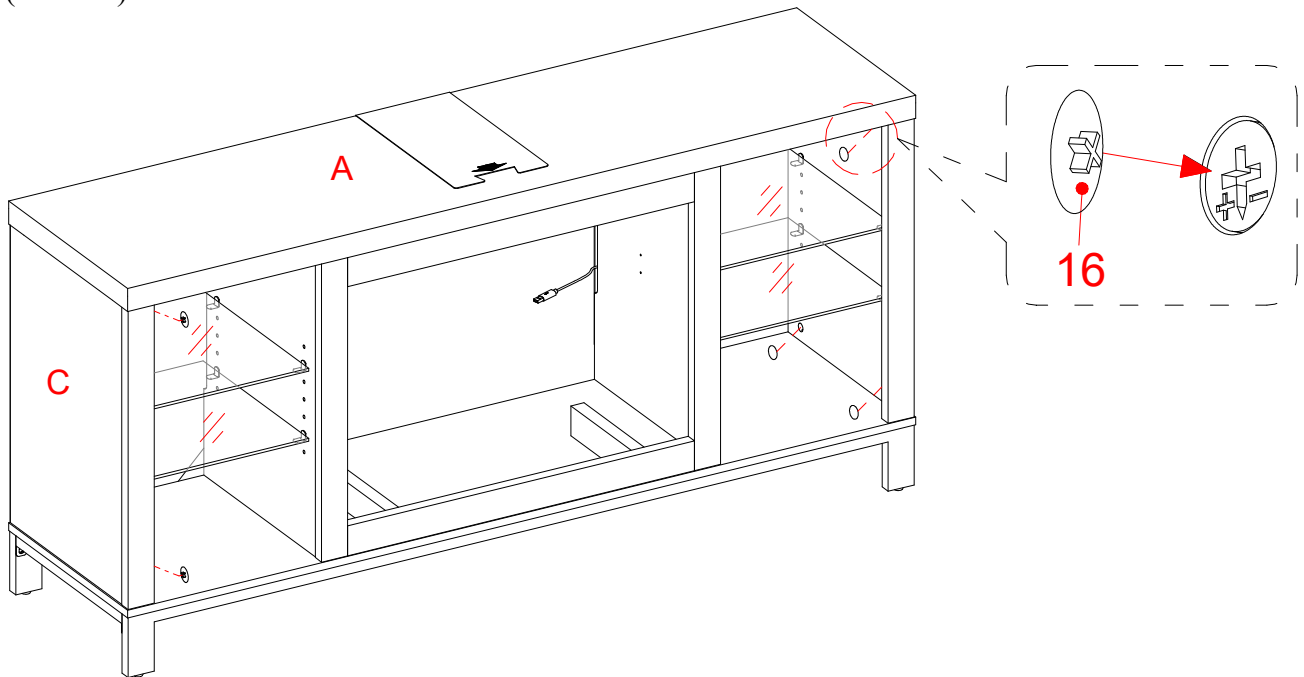
- 21. Fit and center each Glass Shelf (L) into the plastic fitting of each Light Strip (Q).

Assembly Instructions



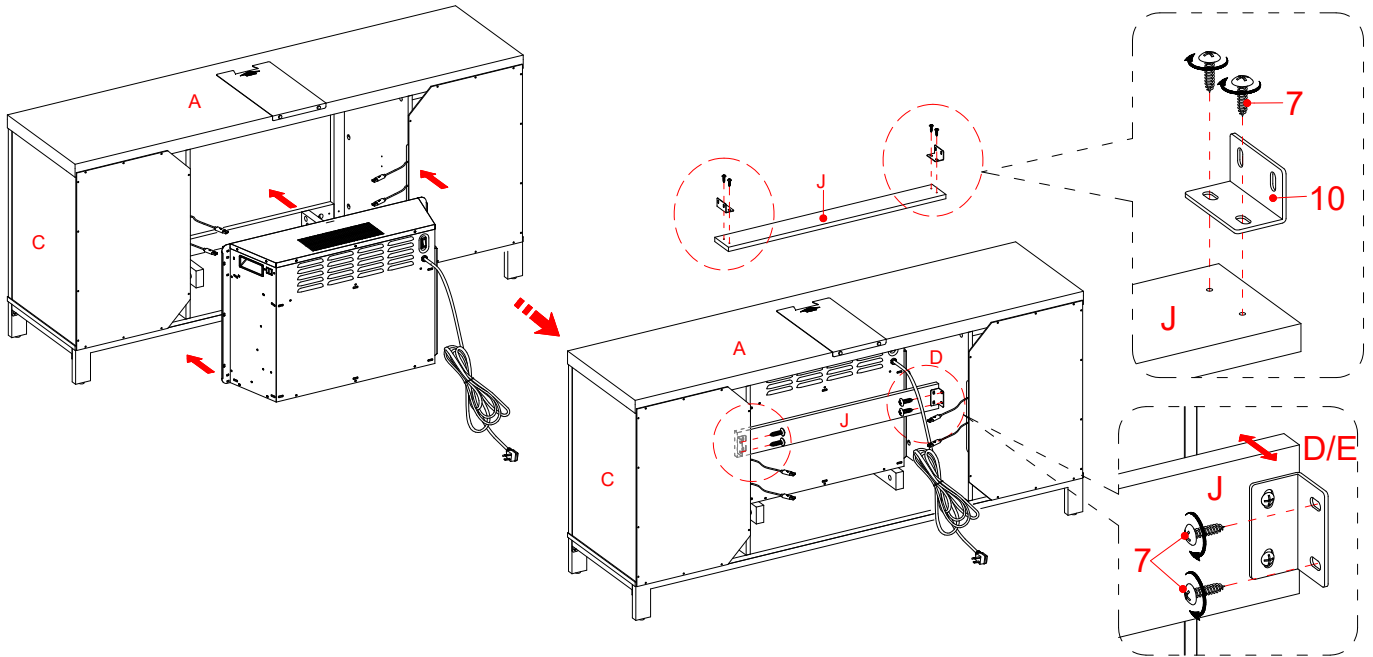
22. Ask for assistance to lift the assembly unit upright and position it near the final location.

23. Insert the Shelf Supports (14) into the holes at the desired height inside each side compartment. Make sure you place four shelf supports in the same level. Tilt and orientate the Glass Shelves (L) onto the Shelf Supports (14) properly and carefully route the USB cable through the slot on the Partition Panels (D and E).

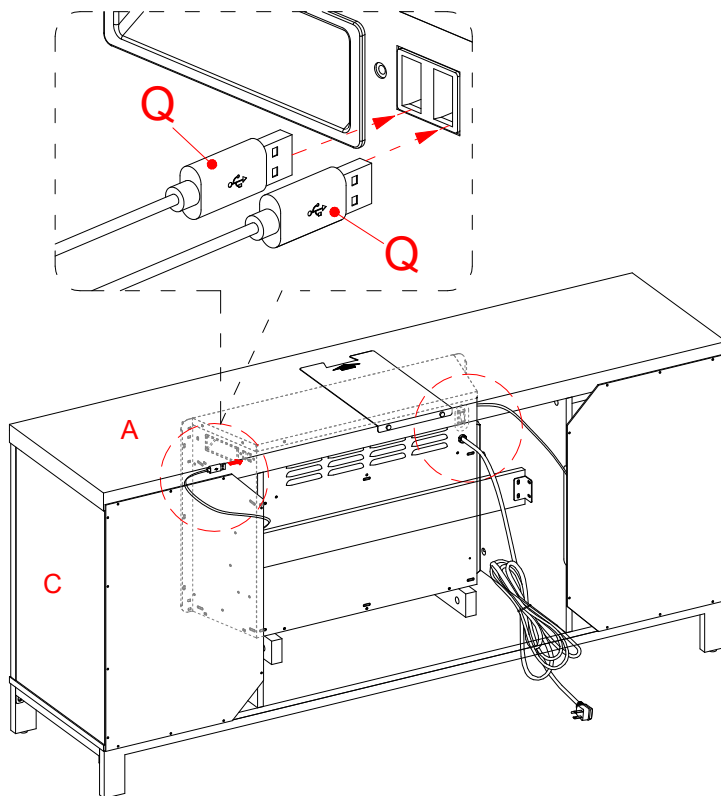


24. Plug the Cam Lock Covers (16) onto the visible Cam Locks to conceal the cams.

Assembly Instructions

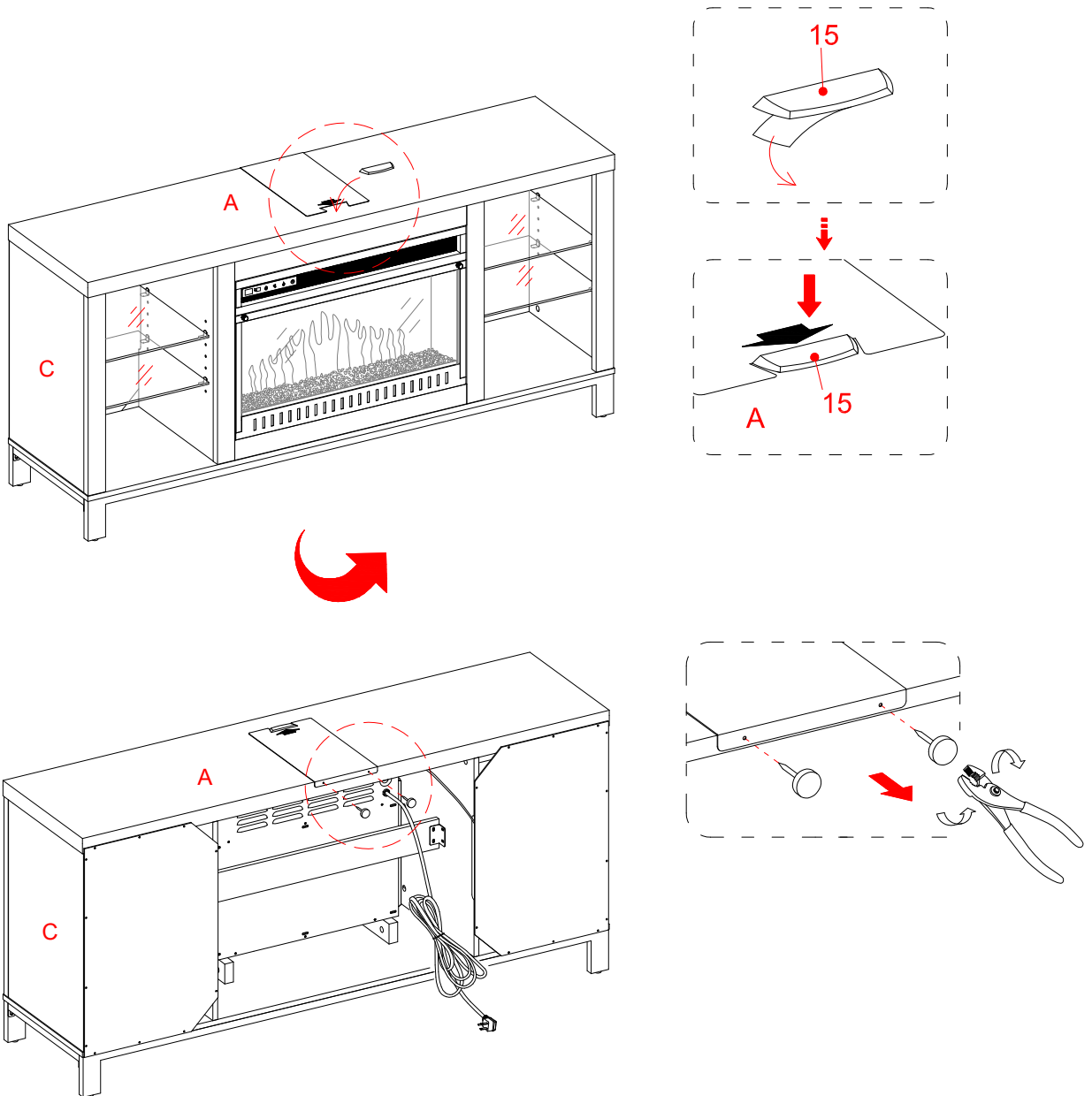


25. Lift the fireplace insert carefully into the back of the assembled mantel and center it on the Firebox Short Supports (K) in the opening.
26. Using the pilot holes as a guide, fasten two L-shaped Metal Brackets (10) onto the Firebox Holder (J) with four 15 mm Pan Head Screws (7). Make sure that the right angle is flush with the short edge of Firebox Holder (J).
27. Fasten the Firebox Holder (J) between the Partiton Panels (D and E) with four 15 mm Pan Head Screws (7).



28. Connect the LED Strip (Q) to the USB hubs on the fireplace insert.

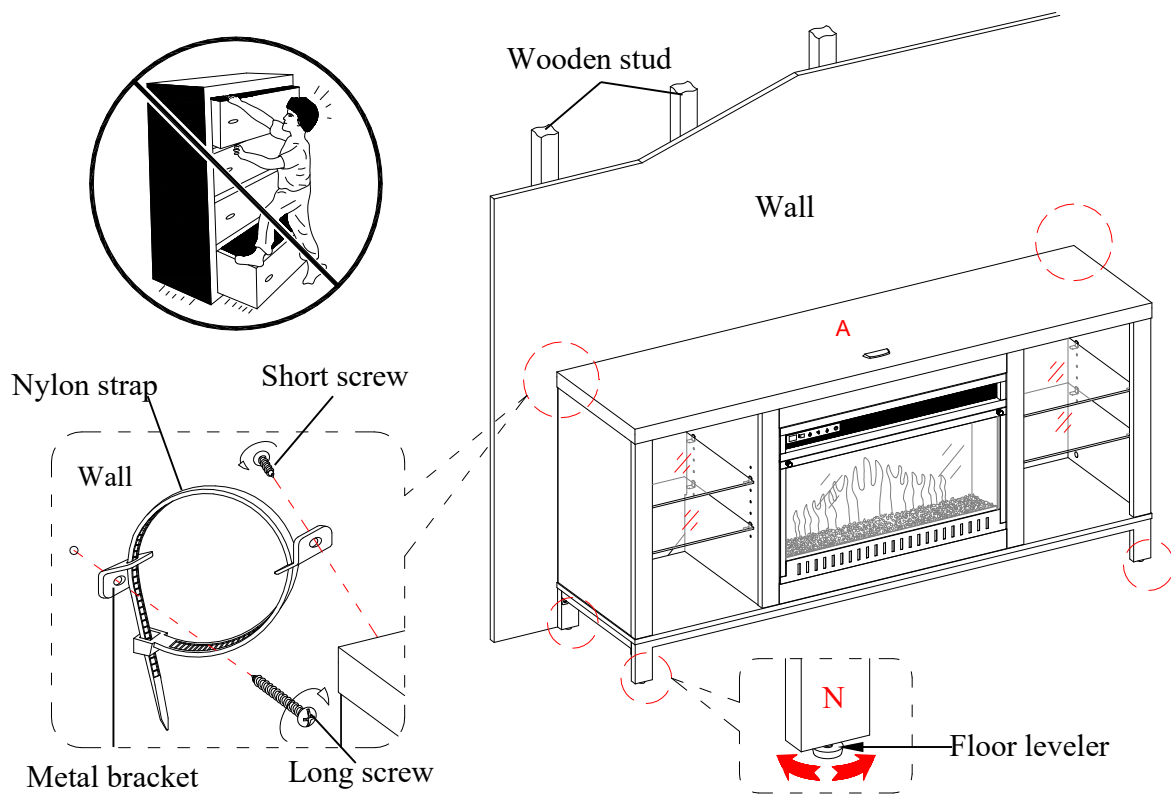
Assembly Instructions



NOTE: To prevent your TV from tipping, you must install the acrylic TV stopper if you place a flat panel television on the top panel. Otherwise, skip to step 30.

29. Remove the paper backing from the Acrylic Stopper (15), then properly align the acrylic stopper into the cut-out on the acrylic stopper template on the Top Panel (A). Press down on the acrylic stopper to help adhesion.
30. At the back of the Top Panel (A), carefully grip the head of plastic tack with pliers and, with a gentle twisting motion, pull the tack loose out to remove the acrylic stopper template.

Assembly Instructions





Tools required (not provided): Phillips screwdriver, stud finder, tape measure, pencil, power drill and 1/8" drill bit.

31. Ask for assistance to position the assemble fireplace at the desired location against a wall. If necessary, adjust the pre-attached floor levelers at the bottom of the long stretchers (N) to correct the tilting.
32. Now, follow the instructions printed on the plastic bag containing the Tipping Restraint Hardware to attach the tip-over restraints to the unit and the wall.

NOTE: The tipping restraint hardware included is for wooden stud wall construction. It must be attached to a wall stud. Depending upon your wall construction, different anchor hardware maybe required. Please contact your local hardware store for assistance. Young children can be seriously injured by tipping furniture. You must install the tipping restraint hardware with the unit to prevent the unit from tipping, causing any accidents or damage. The tipping restraints are intended only as a deterrent, they are not a substitute for proper adult supervision. The tipping restraints are not earthquake restraints. If you wish to add the extra security of earthquake restraints, they must be purchased and installed separately.

33. Connect the fireplace to the power transformer. Follow the operating manual for the electric fireplace insert to control your fireplace.

 WARNING	
	<p>Children have died from furniture tip-over. To reduce the risk of furniture tip-over:</p> <ul style="list-style-type: none"> • ALWAYS install tip-over restraint provided. • FOR use with televisions weighing 80 lbs or less. Use with heavier televisions may result in instability causing tip-over resulting in death or serious injury. • NEVER allow children to stand, climb or hang on drawers, doors, or shelves. • NEVER open more than one drawer at a time. • Place heaviest items in the lowest drawers. <p>Use of tip-over restraints may only reduce, but not eliminate, the risk of tip-over.</p>

Care and Maintenance

- Use a soft, clean cloth that will not scratch the surface when dusting.
- Use of furniture polishes is not necessary. Should you choose to use polishes, test first in an inconspicuous area.
- Using solvents of any kind on your furniture may damage the finish.
- Never use water to clean your furniture as it may cause damage to the finish.
- Always use coasters under beverage glasses and flowerpots.
- Liquid spills should be removed immediately. Using a soft, clean cloth, blot the spill gently. Avoid rubbing.
- Always use protective pads under hot dishes and plates. Heat can cause chemical changes that may create spotting within the furniture finish.
- Stains or marks from crayons or ink markers will be difficult to remove.
- In the event that your furniture is stained or otherwise damaged during use, we recommend that you call a professional to repair your furniture.
- Check bolts/screws periodically and tighten them if necessary.

WARNING

Please use your furniture correctly and safely. Improper use can cause safety hazards, or damage to your furniture or household items. Carefully read the following safety information.

This unit is not intended for use with CRT TVs. The top surface maximum weight capacity is 80 lbs. (36.3 kg) and maximum load 70 in. (177.8 cm) diagonal flat-panel TV. The shelf maximum recommended weight allowance is 50 lbs. (22.7 kg). Use with heavier televisions may result in instability causing tip over resulting in death or serious injury.

Death or serious injury may occur when children climb on audio and/or video equipment furniture. A remote control or toys placed on the furnishing may encourage a child to climb on the furnishing and as a result may tip over onto the child.

NEVER allow children to climb or play with the TV or furnishing supporting the TV.

NEVER place toys, food, remote, etc. on top of the TV or TV furnishing.

ALWAYS use either the safety hardware as instructed or other wall anchoring device.

Relocating audio and/or video equipment to furniture not specifically designed to support audio and/or video equipment may result in death or serious injury due to furniture collapse or over turning onto a child.

NEVER place a TV on furniture that is not intended to support a TV.

NEVER exceed the maximum size and weight of the TV shown in the instructions.

Be sure to refer to the TV warning label as shown in the instructions.

Overloading drawers and shelves may result in furniture that can break or sag, or tip-over which may result in injury.

NEVER exceed the weight limits shown in the instructions.

Place the heavier items on lower shelves as far back from the front as possible.

Load the bottom surfaces first to avoid top-heavy furniture.

Moving furniture that is not designed to be moved or equipped with casters may result in injury or damage to furnishings or personal property.

ALWAYS unload shelves and drawers, starting with the top surfaces, before moving.

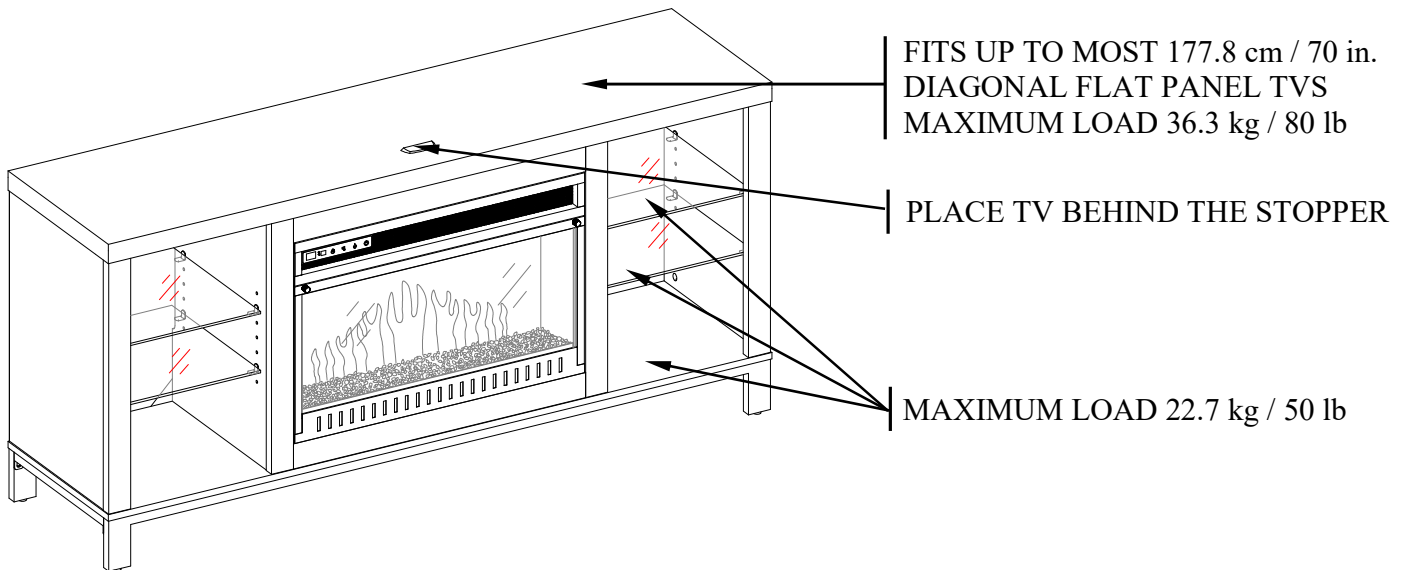
NEVER push or pull furniture on carpet. Have a friend help lift properly to move and/or reposition it.

The console is not meant as a seat and no one should be sitting or standing on the console.

Clean the metal trim using a soft cloth, slightly dampened with citrus oil-based product and buff with a clean soft cloth. **DO NOT** use brass polish or household cleaners as these products will damage the metal trim. Citrus oil-based products can be obtained at supermarkets or hardware stores.

MAXIMUM RECOMMENDED WEIGHT LOADS

MANUFACTURER: Whalen Furniture Manufacturing
CATALOG : Parkview 60" Fireplace Console
MODEL #: MNFP60PV26WT / MNFP60PV26BK



WARNING

THIS UNIT IS NOT INTENDED FOR USE WITH CRT TVS. USE ONLY WITH FLAT PANEL TVS AND AUDIO/VIDEO EQUIPMENT MEETING RECOMMENDED SIZE AND WEIGHT LIMITS. NEVER USE WITH LARGER/HEAVIER THAN RECOMMENDED FLAT PANEL TVS OR EQUIPMENT. TO AVOID INSTABILITY, PLACE FLAT PANEL TV IN THE CENTER OF THE UNIT; THE BASE OF THE TELEVISION MUST BE ABLE TO REST ON THE SUPPORTING SURFACE OF THE UNIT WITHOUT OVER-HANGING THE EDGES. IMPROPERLY POSITIONED FLAT PANEL TVS, OR FLAT PANEL TVS INCLUDING OTHER EQUIPMENT THAT EXCEED RECOMMENDED SIZE AND WEIGHT LIMITS COULD FALL OFF OR BREAK THE UNIT, CAUSING POSSIBLE SERIOUS INJURY. FOR USE WITH TELEVISIONS WEIGHING 80 LBS (36.3 KG) OR LESS. USE WITH HEAVIER TELEVISIONS MAY RESULT IN INSTABILITY CAUSING TIP OVER RESULTING IN DEATH OR SERIOUS INJURY.

QUALITY GUARANTEE

We are confident that you will be delighted with your Whalen Furniture purchase.

Should this product be defective in workmanship or materials or fail under normal use, we will repair or replace it for up to one (1) year from date of purchase. Every Whalen Furniture product is designed to meet your highest expectations. We guarantee that you will immediately see the value of our fine furniture.

This warranty gives you specific legal rights and you may also have other rights which vary from state to state or province to province.

Whalen Furniture Manufacturing
1578 Air Wing Road
San Diego CA, 92154, USA
Customer Service: 1-866-942-5362
8:30 a.m. - 4:30 p.m., PST, Monday to Friday
www.whalenfurniture.com