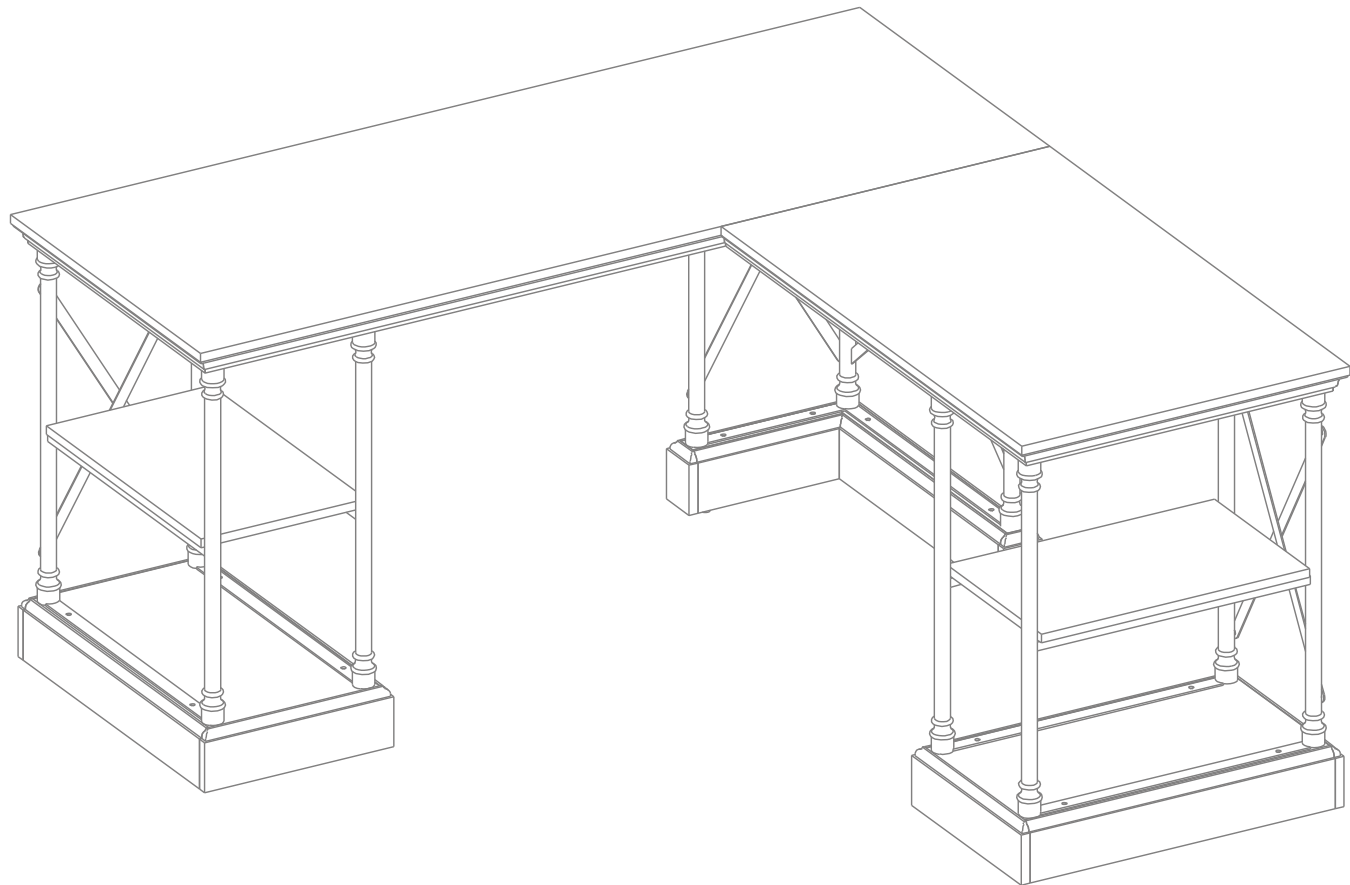




THRESHOLDTM_{MC}

Conway Wood L Shape Desk with Cast Iron Frame

Style #: T81104-5 DPC-item #: 249-14-6458 (Gray)
Style #: TGTLD-BRN DPC-item #: 249-14-8415 (Dark Brown)
Style #: TGTLD-NTL DPC-item #: 249-14-0070 (Natural)



>> [Assembly instructions](#)



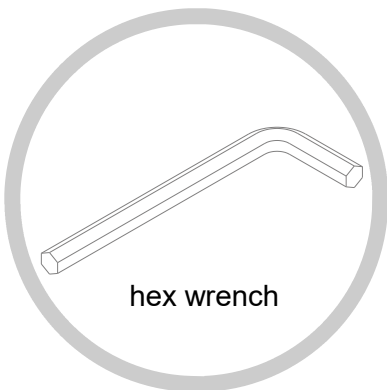
Congratulations on your latest Target purchase.

Now what? Don't start sweating over this box of parts. This will be easy. We did the hard work for you. All you need to do is follow our simple instructions and you'll be on your way to transforming your room in no time. Good luck – though we're confident you won't need it.

before you begin

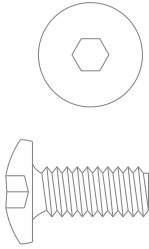
1. Check for damaged or missing parts. Call 1-855-MYTGTHOME (855-698-4846) to order missing supplies.
2. Use the carton as a work surface to prevent product damage during assembly.
3. Gather all tools prior to assembly.

tool needed (only hex wrench included)

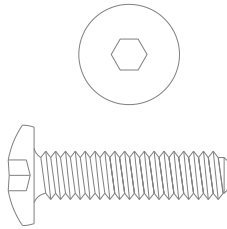


hardware

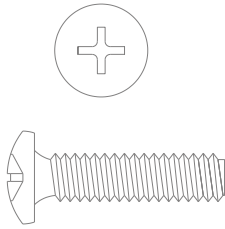
(H1) x 24
1/4" x 15 mm bolt



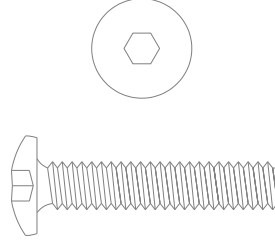
(H2) x 26
1/4" x 25 mm bolt



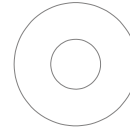
(H3) x 1
1/4" x 25 mm bolt



(H4) x 3
1/4" x 32 mm bolt



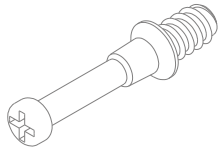
(H5) x 3
flat washer



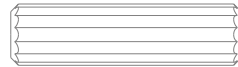
(H6) x 24
cam lock



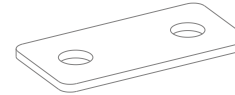
(H7) x 24
cam bolt



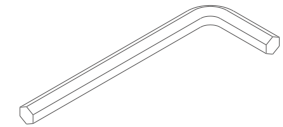
(H8) x 20
M8 x 30 mm wood dowel



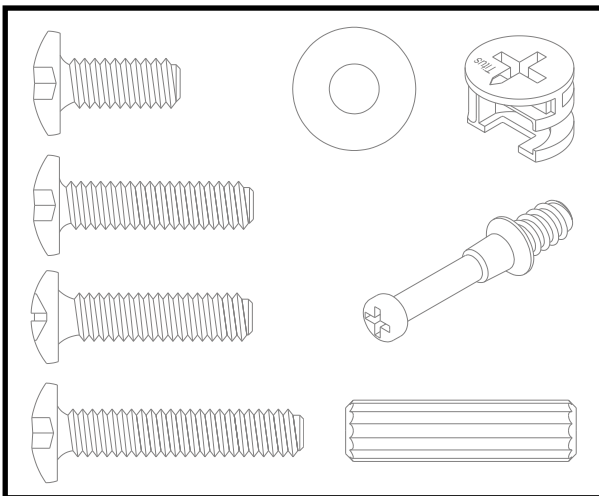
(H9) x 1
metal bracket



(H10) x 1
hex wrench

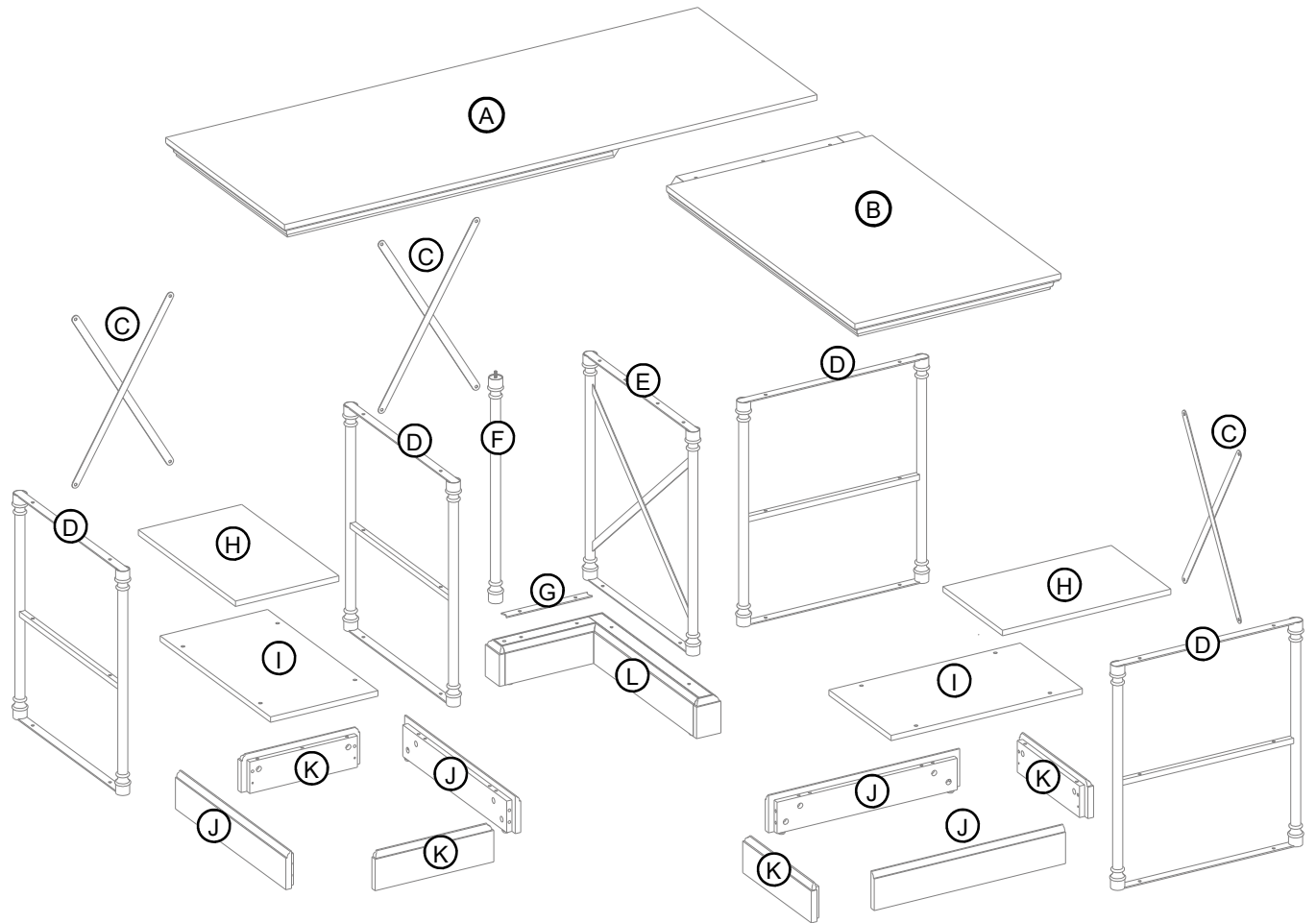


Spare hardware



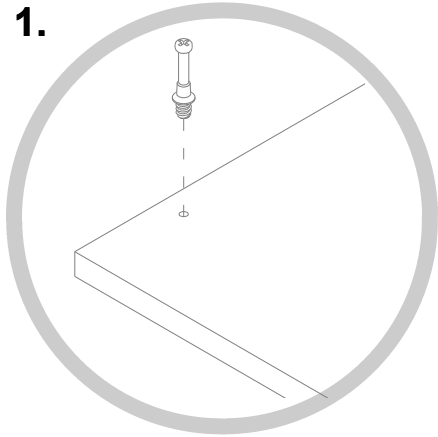
exploded diagram

ITEM	DESCRIPTION	QTY
A	Desk top	1
B	Return top	1
C	Metal stretcher	3
D	Pedestal side frame	4
E	Corner metal frame	1
F	Corner post	1
G	Metal rail	1
H	Shelf	2
I	Bottom panel	2
J	Long skirting	4
K	Short skirting	4
L	Corner base	1



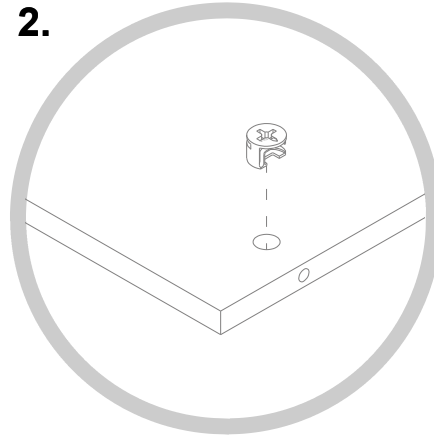
how to use the cam lock system

1.



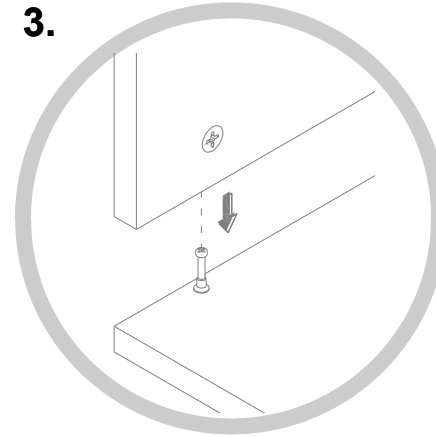
Screw cam bolt into panel

2.



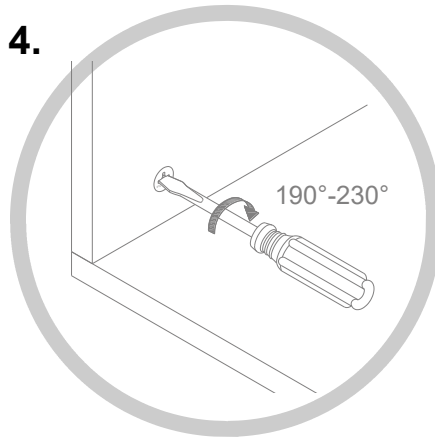
Push cam into panel - arrow feature on cam top points to panel edge

3.



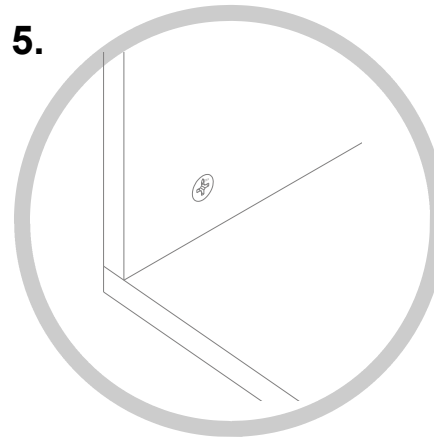
Align cam bolt(s) with cam(s) and insert all the way into cross-bored hole(s)

4.



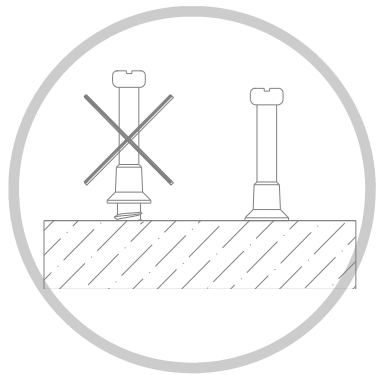
Rotate cam(s) clockwise 190°-230° to lock panels together

5.

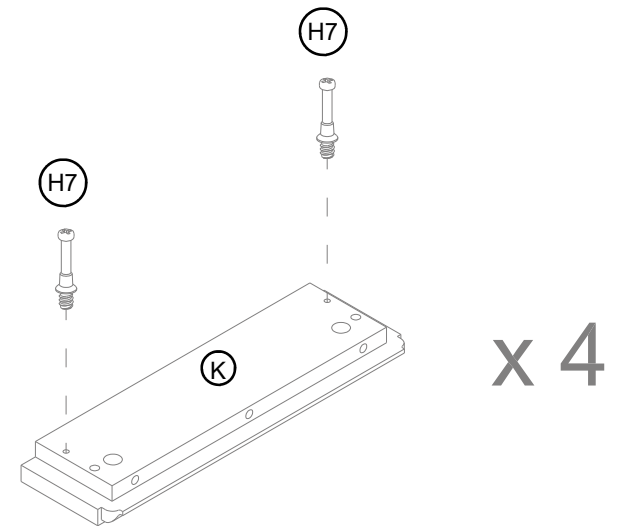
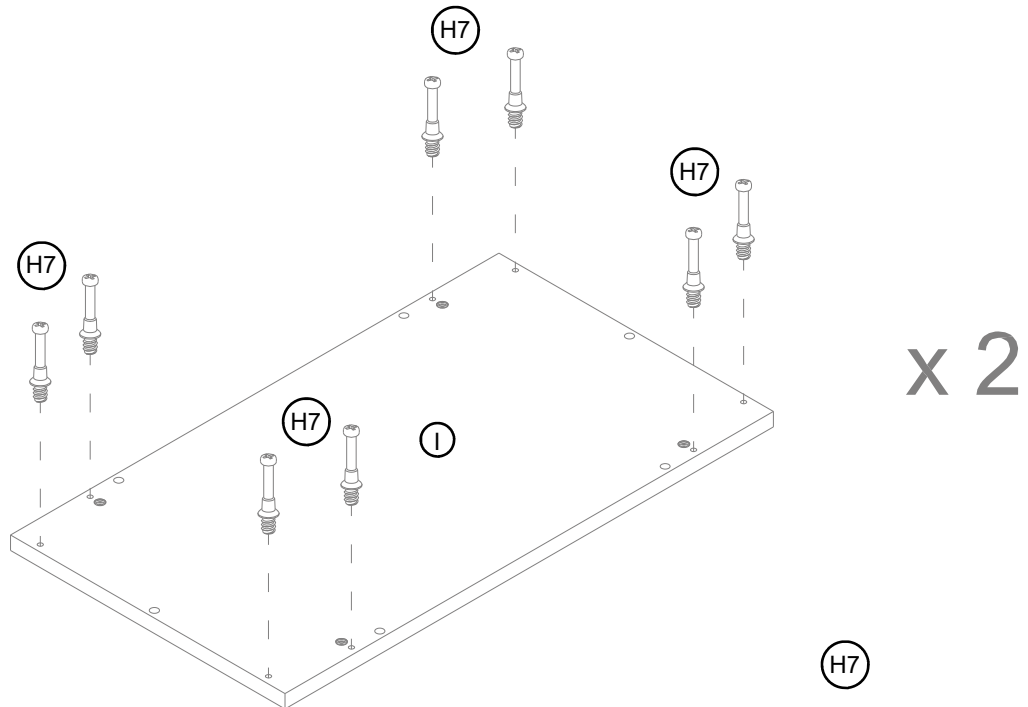
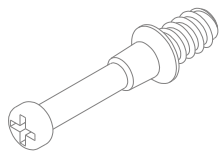


Panels should be tight against each other and connection should be rigid

step 1: screw-in cam bolts

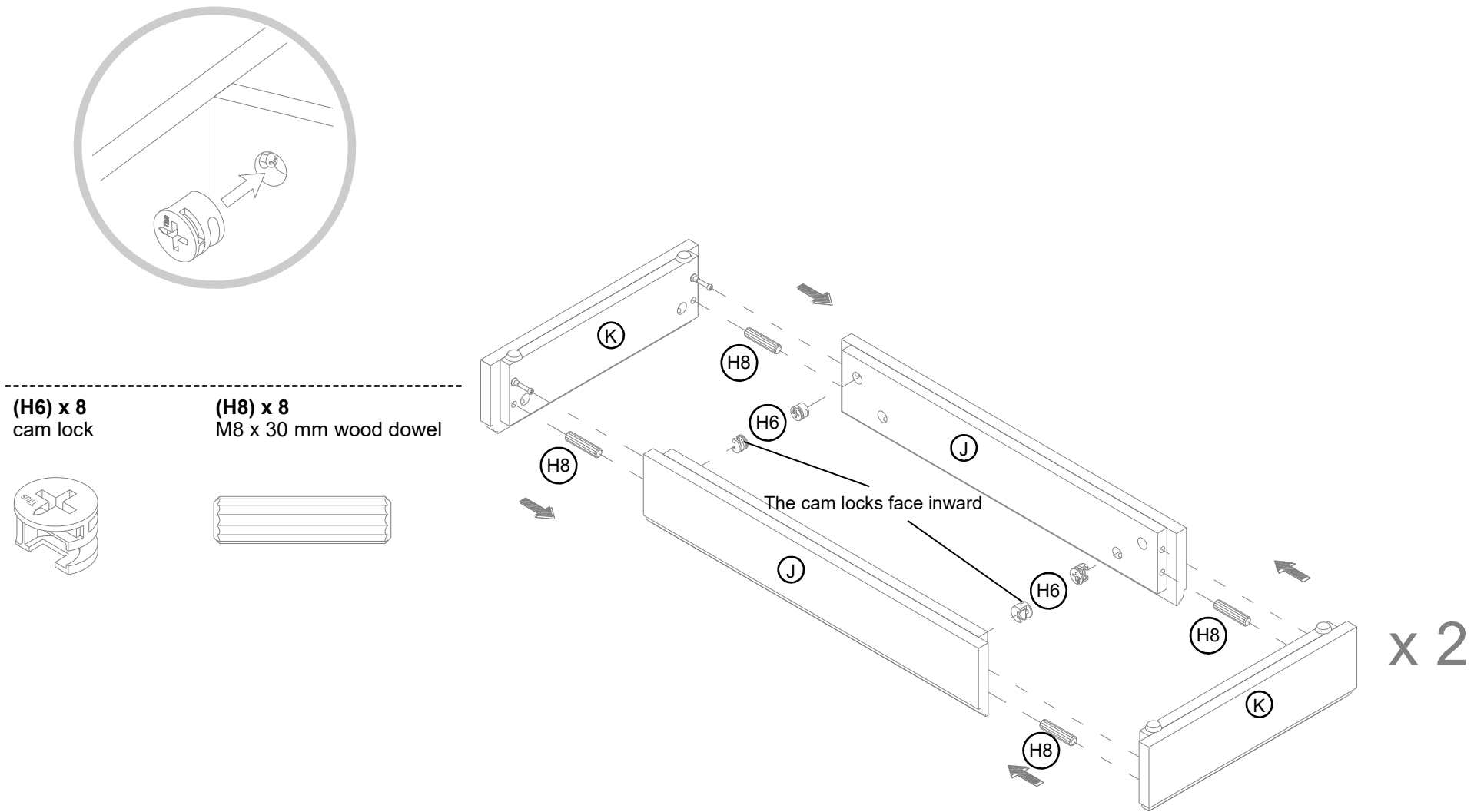


(H7) x 24
cam bolt



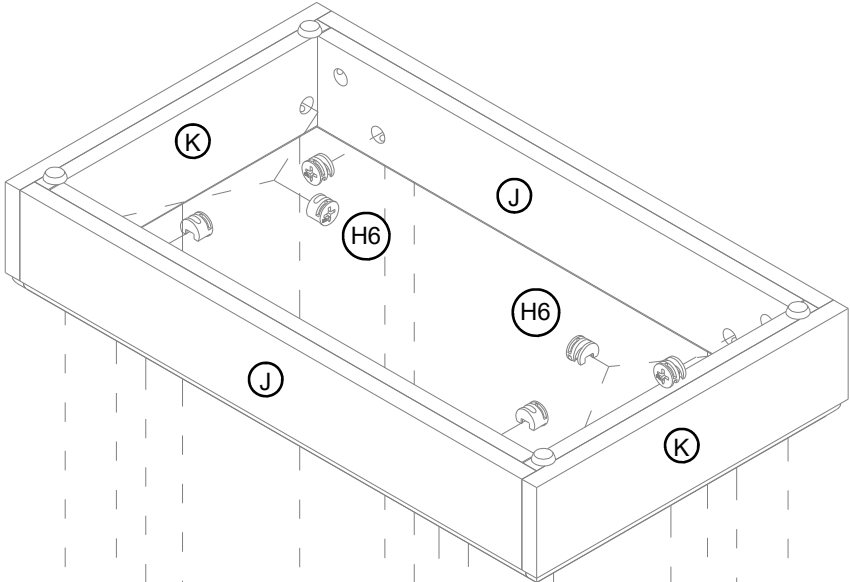
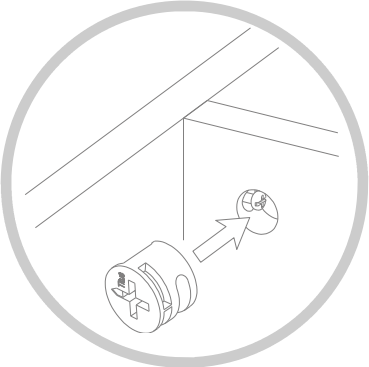
1.1. Screw-in the cam bolts on the bottom panels (I) and the short skirting boards (K).

step 2: assemble base frames



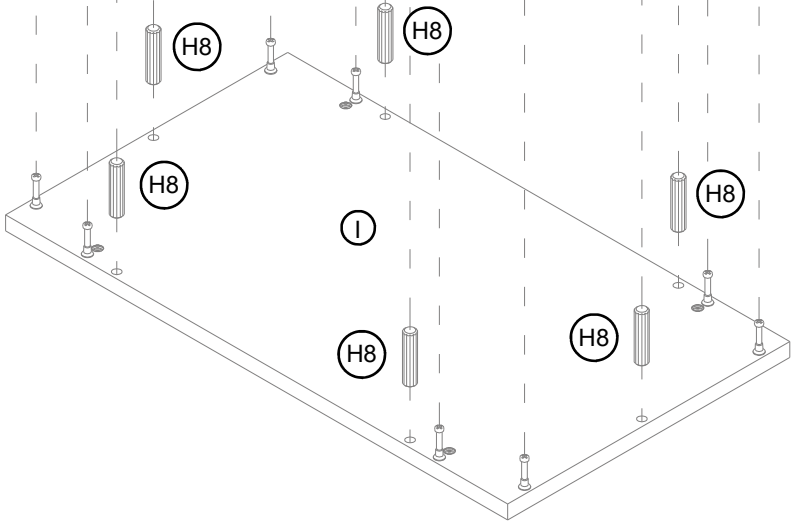
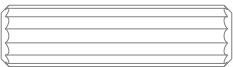
2.1. Attach the short skirting boards (K) between the long skirting boards (J).

step 3: attach bottom panels



(H6) x 16
cam lock

(H8) x 12
M8 x 30 mm wood dowel



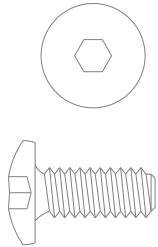
x 2

3.1. Attach the assembled skirtings (J and K) to the bottom panels (I).

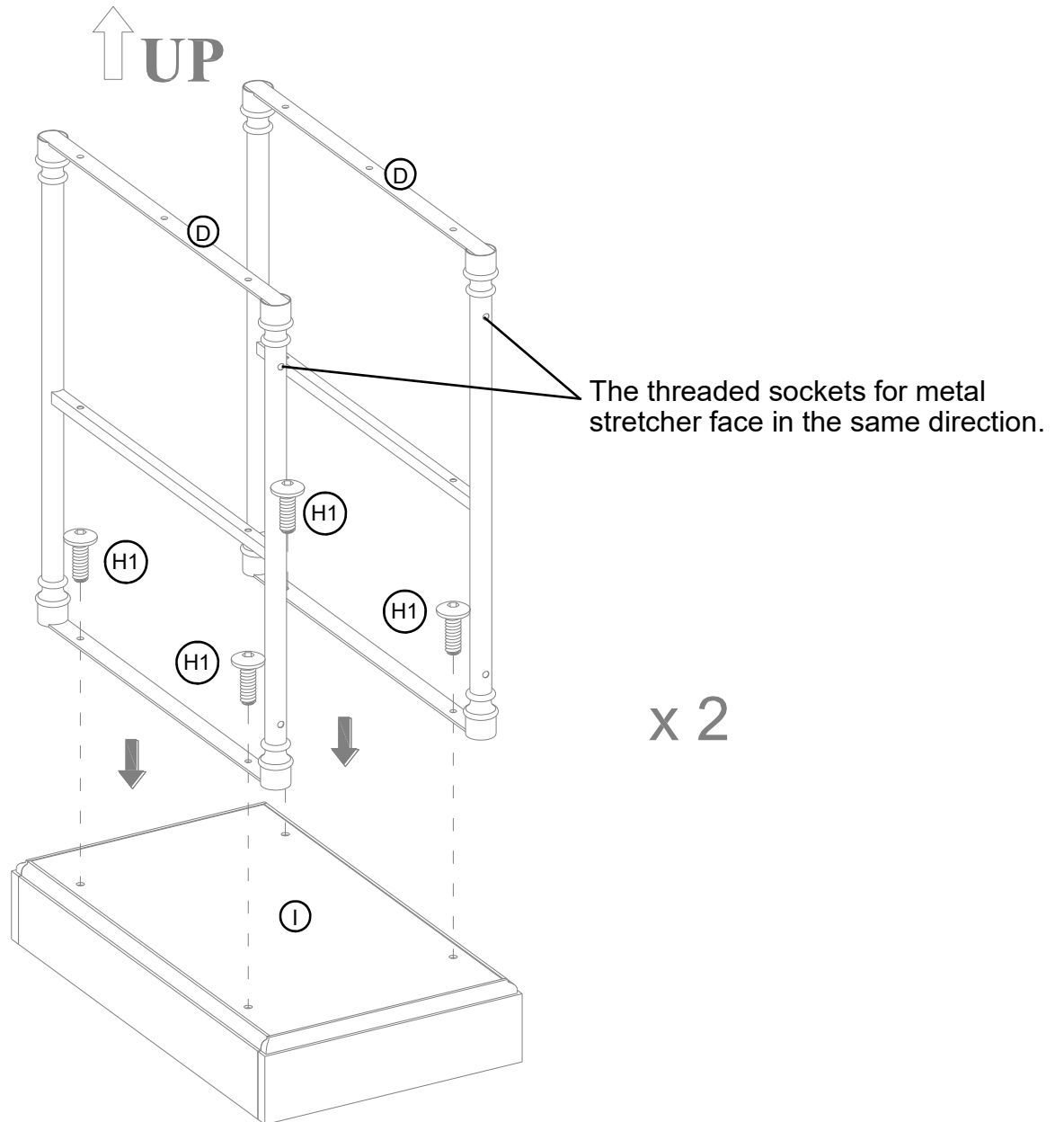
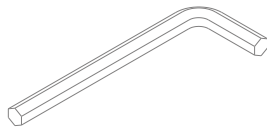
step 4: attach pedestals

NOTE: DO NOT fully tighten all bolts until you finish assembling all parts. Once assembled, go back and fully tighten all bolts. This will make the assembly easier.

(H1) x 8
1/4" x 15 mm bolt



(H10) x 1
hex wrench

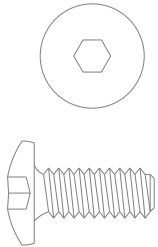


4.1. Attach the pedestal side frames (D) to the bottom panels (I).

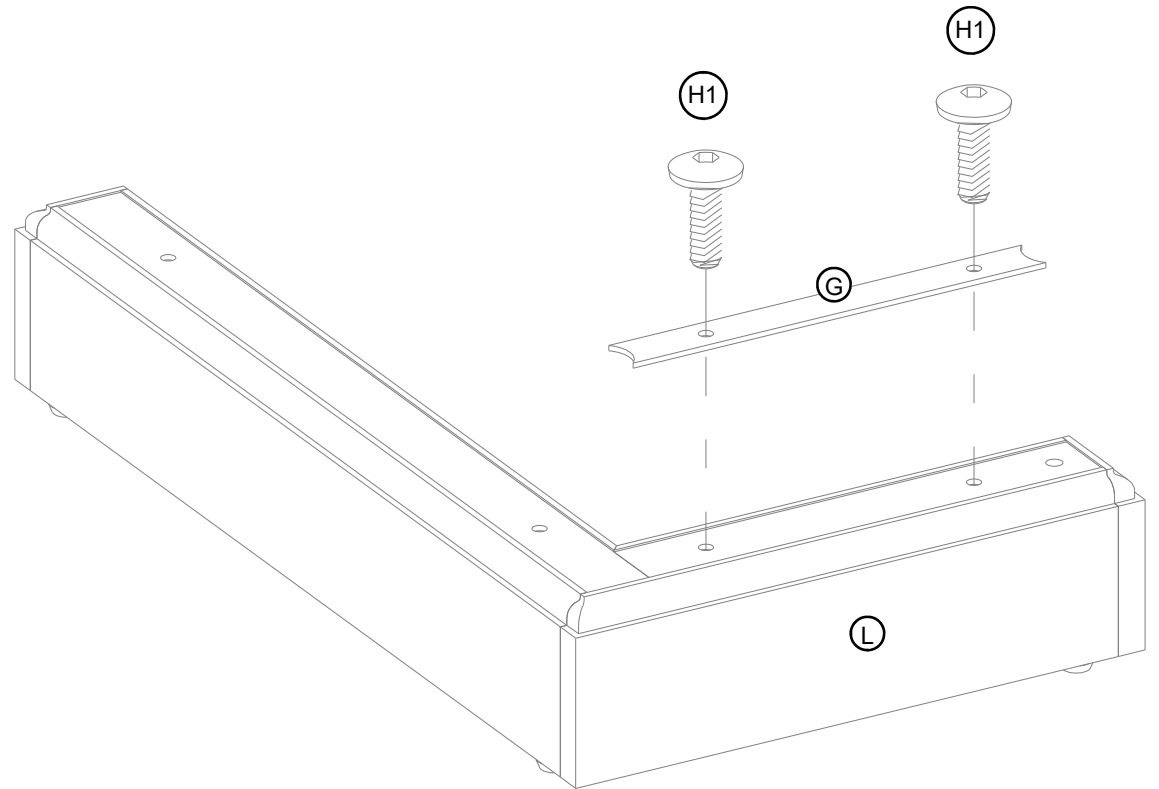
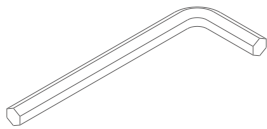
step 5: attach decorator plate

NOTE: DO NOT fully tighten all bolts until you finish assembling all parts. Once assembled, go back and fully tighten all bolts. This will make the assembly easier.

(H1) x 2
1/4" x 15 mm bolt



(H10) x 1
hex wrench

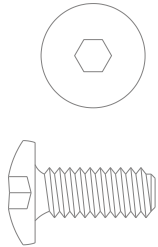


5.1. Attach the metal rail (G) to the short side of corner base (L).

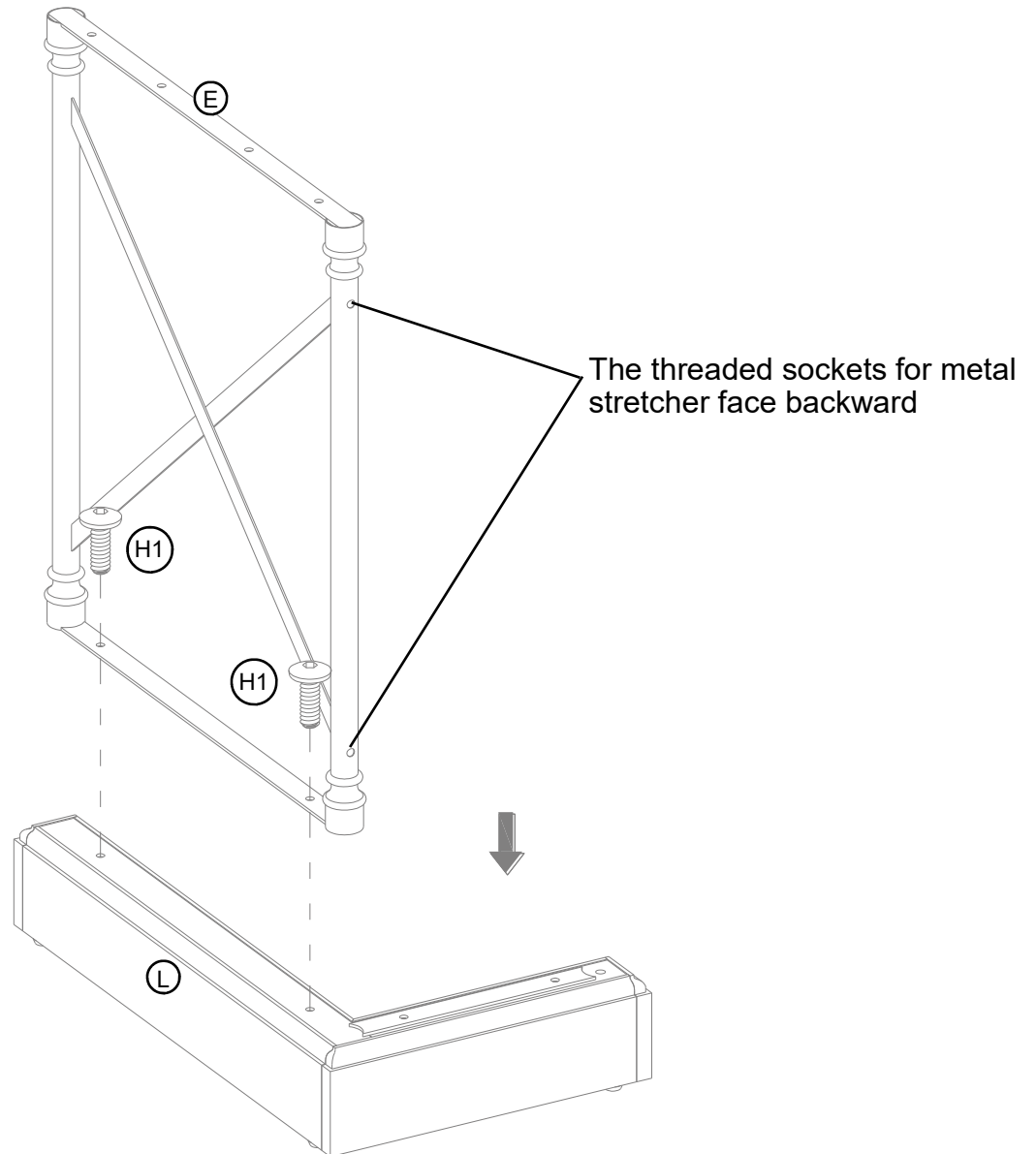
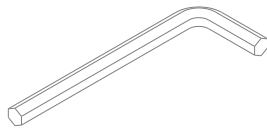
step 6: attach corner support

NOTE: DO NOT fully tighten all bolts until you finish assembling all parts. Once assembled, go back and fully tighten all bolts. This will make the assembly easier.

(H1) x 2
1/4" x 15 mm bolt



(H10) x 1
hex wrench

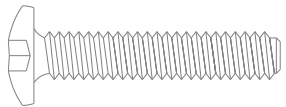
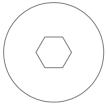


6.1. Attach the corner metal frame (E) to the long side of the corner base (L).

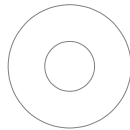
step 7: combine top panels

NOTE: DO NOT fully tighten all bolts until you finish assembling all parts. Once assembled, go back and fully tighten all bolts. This will make the assembly easier.

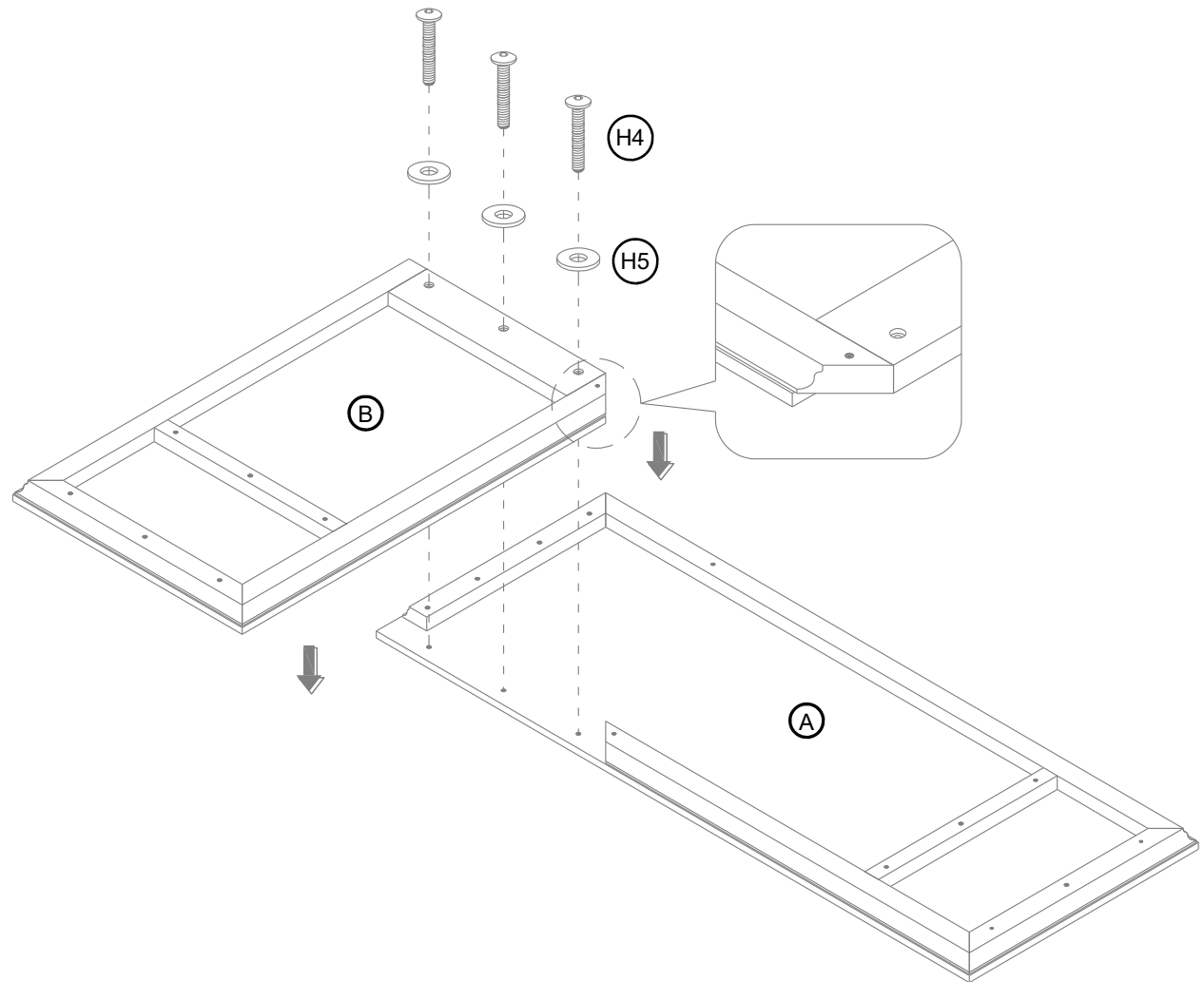
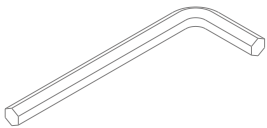
(H4) x 3
1/4" x 32 mm bolt



(H5) x 3
flat washer



(H10 x 1)
hex wrench

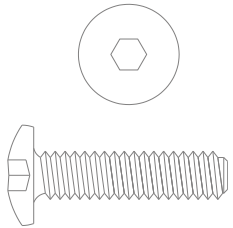


7.1. Attach the return top (B) to the desk top (A).

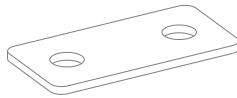
step 8: fasten top panels

NOTE: DO NOT fully tighten all bolts until you finish assembling all parts. Once assembled, go back and fully tighten all bolts. This will make the assembly easier.

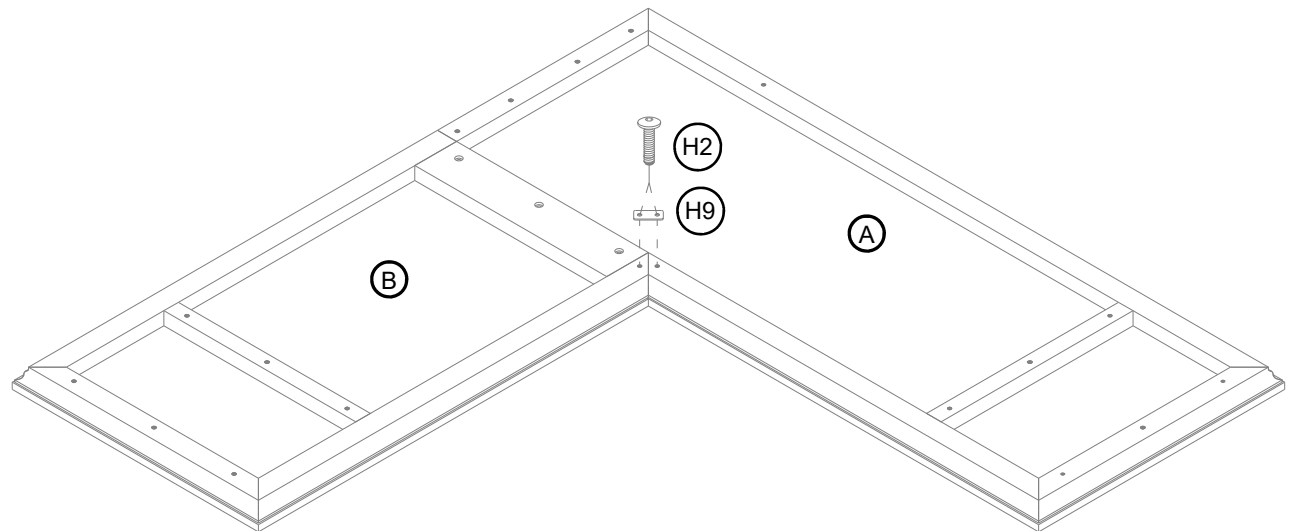
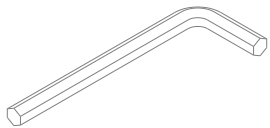
(H2) x 2
1/4" x 25 mm bolt



(H9) x 1
metal bracket



(H10) x 1
hex wrench



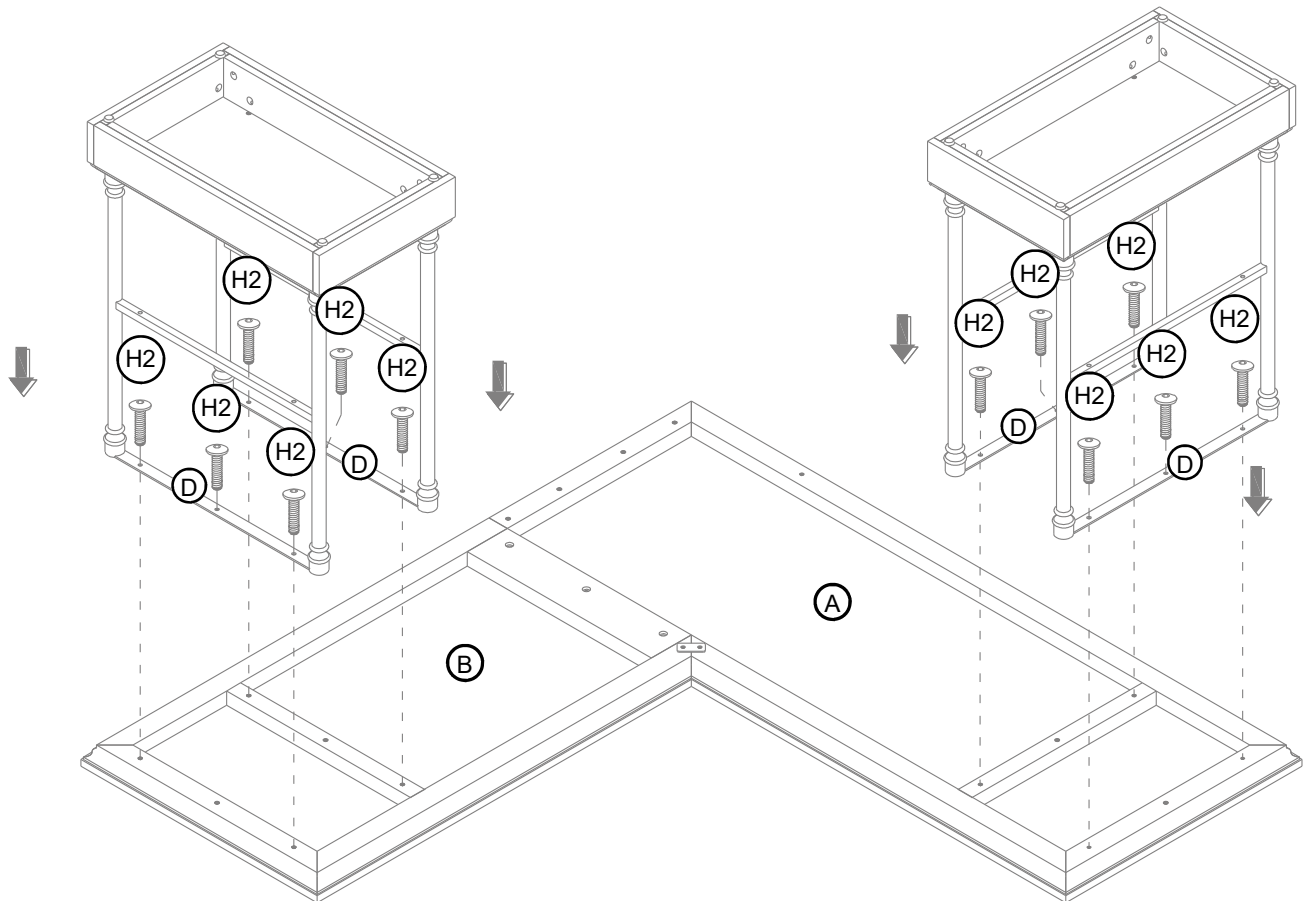
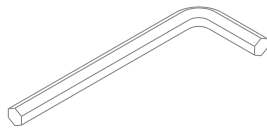
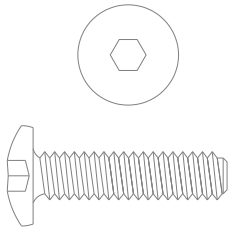
8.1. Fasten the metal bracket at the joints where the return top (B) meet with the desk top (A).

step 9: attach pedestal frames to top

NOTE: DO NOT fully tighten all bolts until you finish assembling all parts. Once assembled, go back and fully tighten all bolts. This will make the assembly easier.

(H2) x 12
1/4" x 25 mm bolt

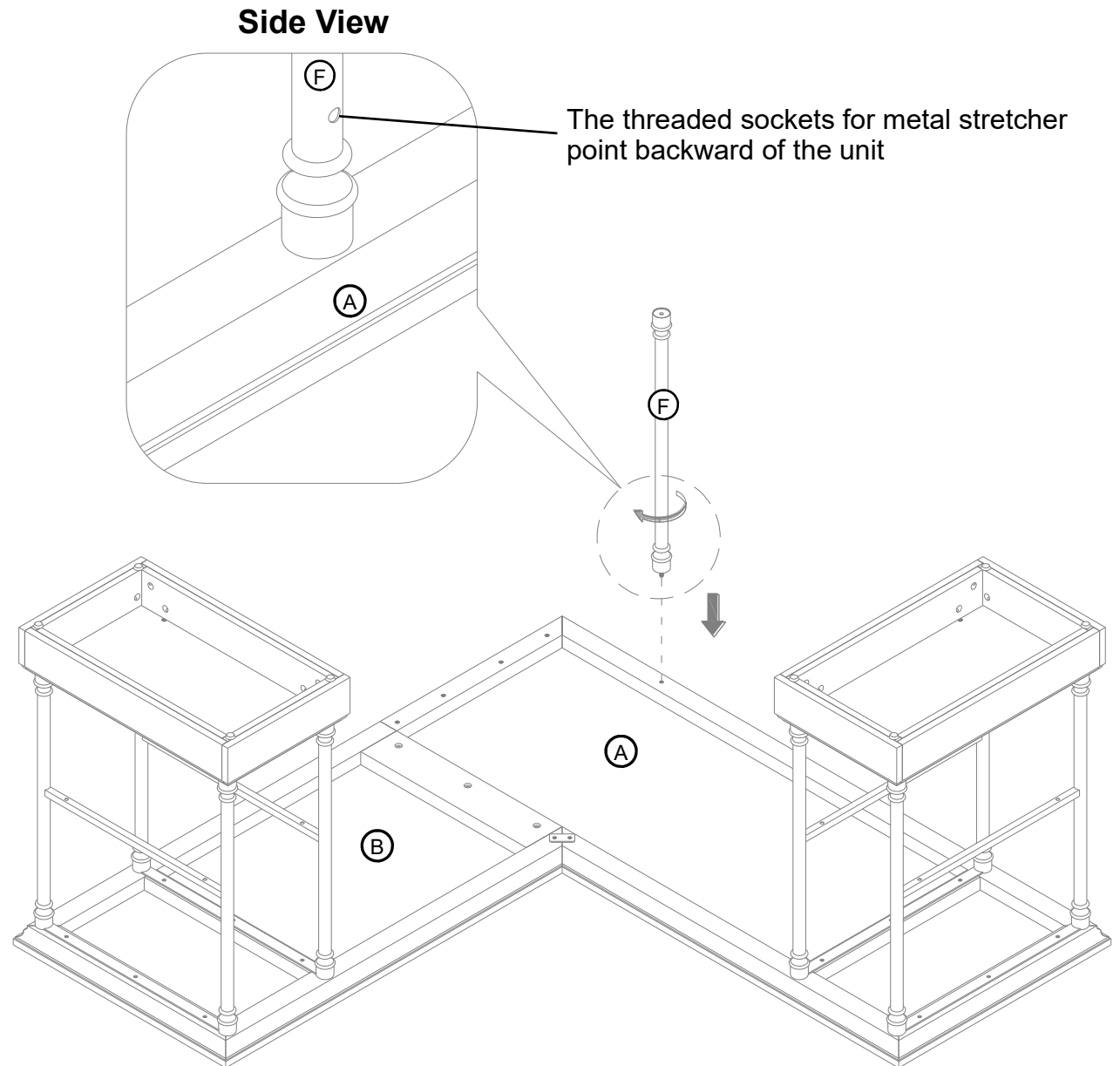
(H10) x 1
hex wrench



9.1. Attach the assembled pedestal side frames (D) to the desk top (A) and the return top (B).

step 10: screw-in corner post

NOTE: Make sure the threaded sockets for metal stretcher are orientated properly.

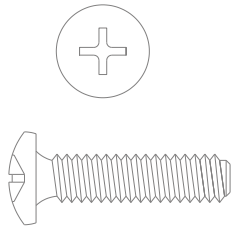
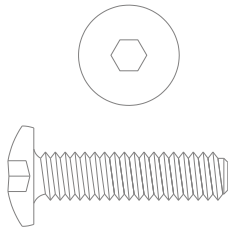


step 11: attach corner pedestal

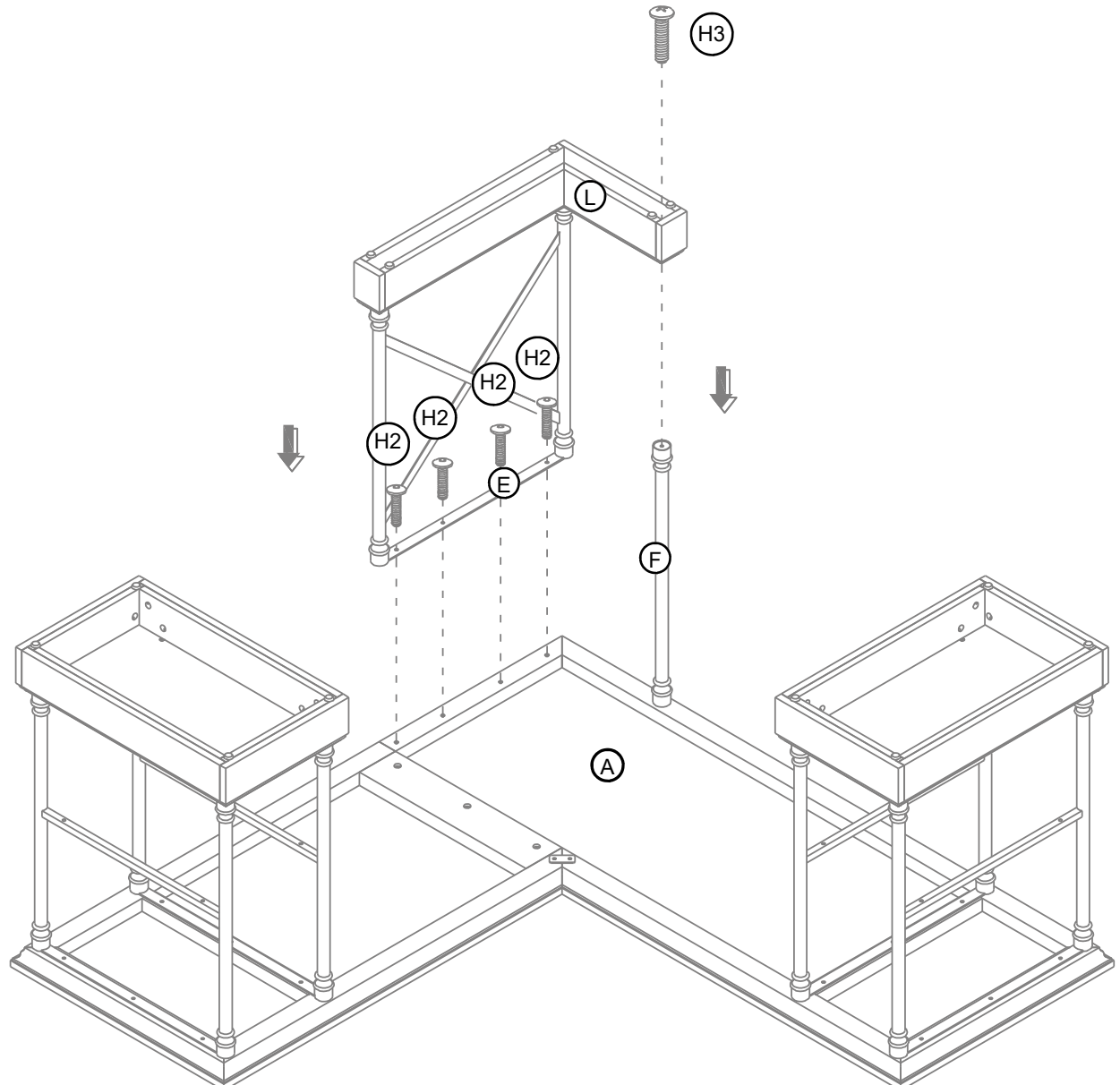
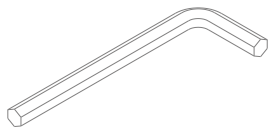
NOTE: DO NOT fully tighten all bolts until you finish assembling all parts. Once assembled, go back and fully tighten all bolts. This will make the assembly easier.

(H2) x 4
1/4" x 25 mm bolt

(H3) x 1
1/4" x 25 mm bolt

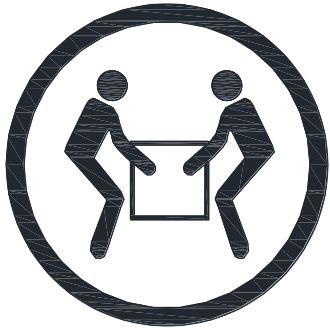


(H10) x 1
hex wrench

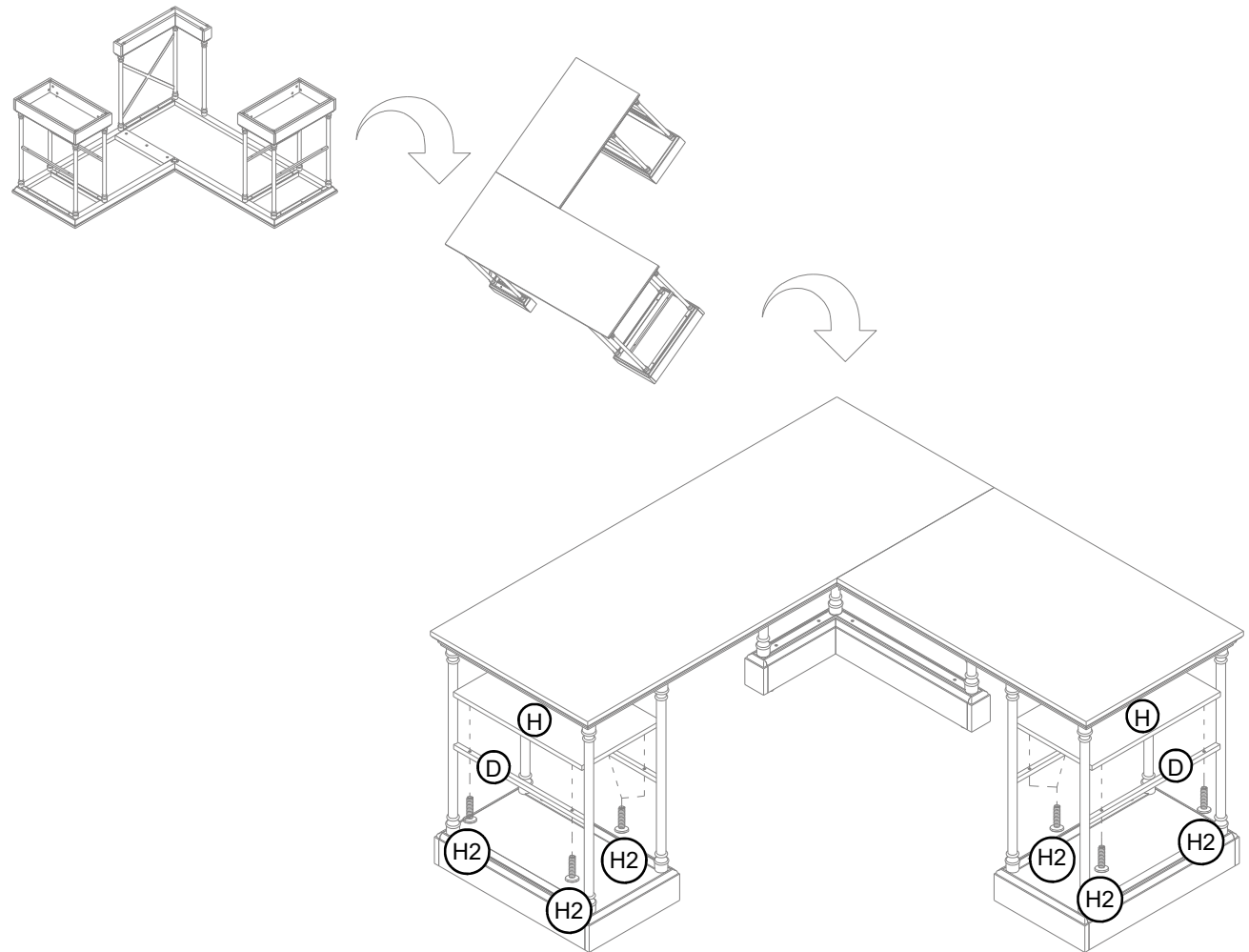


11.1. Flip over the assembled corner base (L) and attach to the desk top panel (A) and corner post (F).

step 12: attach shelves

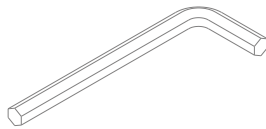
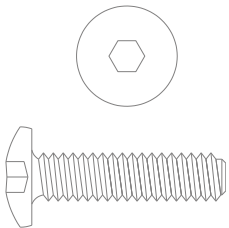


CAUTION: Heavy! You may need assistance with this step.



(H2) x 8
1/4" x 25 mm bolt

(H10) x 1
hex wrench

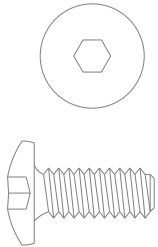


- 12.1. Ask for assistance to lift the previous assembly upright and position at the desired location.
- 12.2. Attach the shelves (H) onto the pedestal side frames (D).

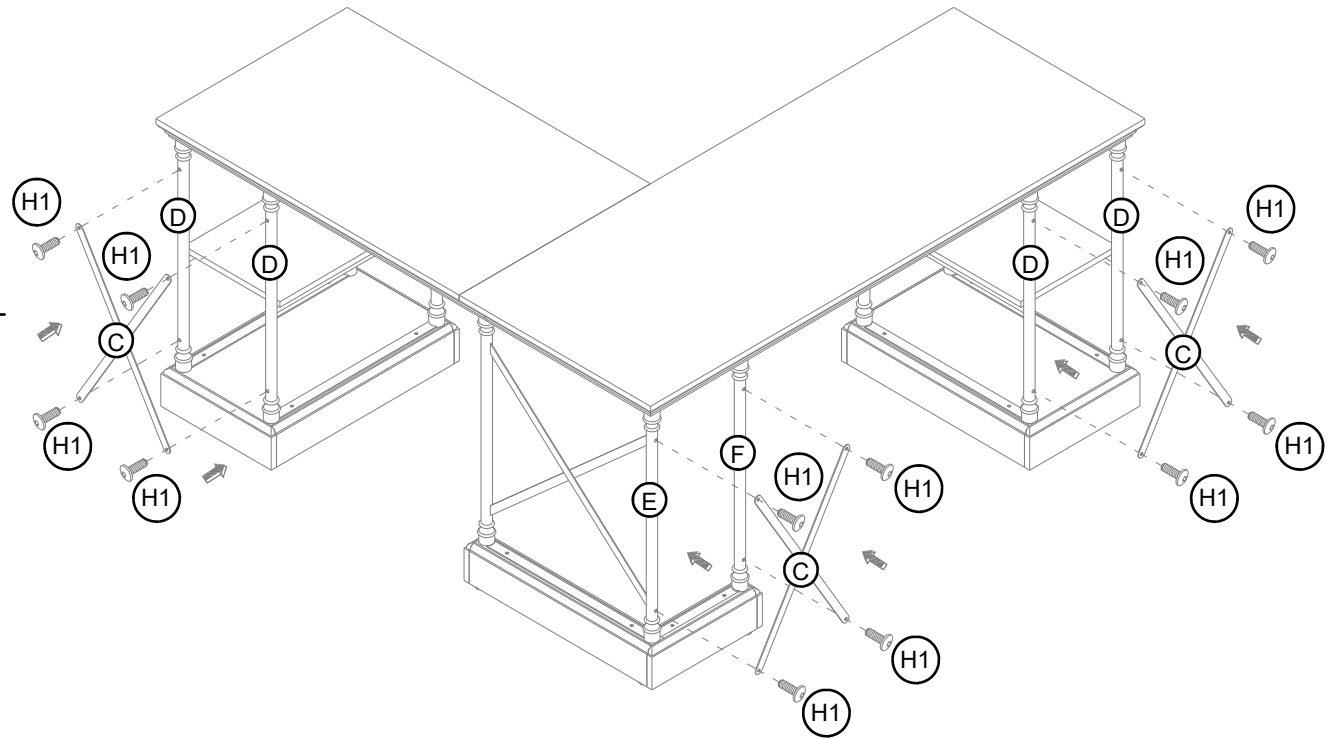
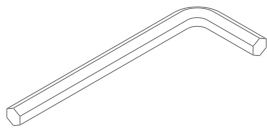
step 13: attach metal stretchers

NOTE: DO NOT fully tighten all bolts until you finish assembling all parts. Once assembled, go back and fully tighten all bolts. This will make the assembly easier.

(H1) x 12
1/4" x 15 mm bolt



(H10) x 1
hex wrench



13.1. Attach the metal stretchers (C) to the back of the pedestal frames.

Care and Maintenance

- Use a soft, clean cloth that will not scratch the surface when dusting.
- Use of furniture polish is not necessary. Should you choose to use polish, test first in an inconspicuous area.
- Using solvents of any kind on your furniture may damage the finish.
- Never use water to clean your furniture as it may cause damage to the finish.
- Always use coasters under beverage glasses and flowerpots.
- Liquid spills should be removed immediately. Using a soft, clean cloth, blot the spill gently. Avoid rubbing.
- Always use protective pads under hot dishes and plates. Heat can cause chemical changes that may create spotting within the furniture finish.
- Stains or marks from crayons or ink markers will be difficult to remove.
- In the event that your furniture is stained or otherwise damaged during use, we recommend that you call a professional to repair your furniture.
- Check bolts/screws and nuts periodically and tighten them if necessary.

Further Advice about Wood Furniture Care

It is best to keep your furniture in a climate-controlled environment. Extreme temperature and humidity changes can cause fading, warping, shrinking and splitting of wood. It is advised to keep furniture away from direct sunlight as sun may damage the finish.

Proper care and cleaning at home will extend the life of your purchase. Following these important and helpful tips will enhance your furniture as it ages.

We hope you enjoy your purchase for many years.
Thank you for your purchase!

QUALITY GUARANTEE

We are confident that you will be delighted with your Whalen Furniture purchase.

Should this product be defective in workmanship or materials or fail under normal use, we will repair or replace it for up to one (1) year from date of purchase. Every Whalen Furniture product is designed to meet your highest expectations. We guarantee that you will immediately see the value of our fine furniture.

This warranty gives you specific al rights and you may also have other rights which vary from state to state or province to province.

Customer Service: 1-855-MYTGTHOME (855-698-4846)
8:30 a.m. - 4:30 p.m., PST, Monday to Friday
www.whalenfurniture.com

The maximum recommended weight allowance is 22.7 kg / 50 lb for shelves and bottom panels.

The maximum recommended weight allowance is 90.7 kg / 200 lb for desk top.

 **WARNING**

Please use your furniture correctly and safely. Improper use can cause safety hazards, or damage to your furniture or household items. Carefully read the following safety information.

Death or serious injury may occur when children climb on audio and/or video equipment furniture. A remote control or toys placed on the furnishing may encourage a child to climb on the furnishing and as a result may tip over onto the child.

NEVER allow children to climb or play with the TV or furnishing supporting the TV.

NEVER place toys, food, remote, etc. on top of the TV or TV furnishing.

ALWAYS use either the safety hardware as instructed or other wall anchoring device.

Relocating audio and/or video equipment to furniture not specifically designed to support audio and/or video equipment may result in death or serious injury due to furniture collapse or over turning onto a child.

NEVER place a TV on furniture that is not intended to support a TV.

NEVER exceed the maximum size and weight of the TV shown in the instructions.

Be sure to refer to the TV warning label as shown in the instructions.

Overloading drawers and shelves may result in furniture that can break or sag, or tip-over which may result in injury.

NEVER exceed the weight limits shown in the instructions.

Place the heavier items on lower shelves as far back from the front as possible.

Load the bottom surfaces first to avoid top-heavy furniture.

Moving furniture that is not designed to be moved or equipped with casters may result in injury or damage to furnishings or personal property.

ALWAYS unload shelves and drawers, starting with the top surfaces, before moving.

NEVER push or pull furniture on carpet. Have a friend help lift properly to move and/or reposition it.

The unit is not meant as a seat and no one should be sitting or standing on the top panel.