

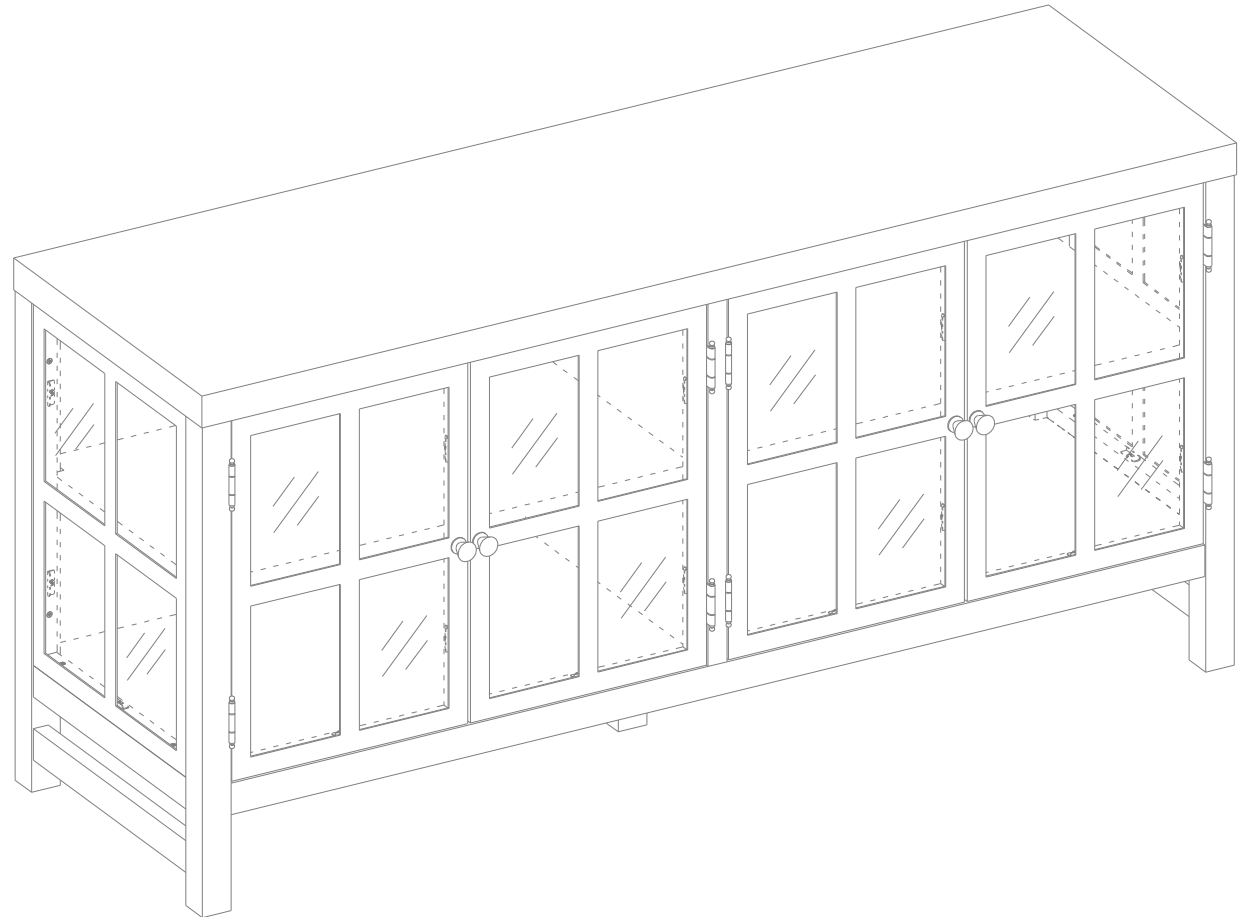


THRESHOLD™
— *designed with* —
STUDIO MCGEE

Bountiful Wood & Glass Media Stand

Style # TGAVC-15

DPC-item #: 249-10-0011



>> [Assembly instructions](#)



Congratulations on your latest Target purchase.

Now what? Don't start sweating over this box of parts. This will be easy. We did the hard work for you. All you need to do is follow our simple instructions and you'll be on your way to transforming your room in no time. Good luck – though we're confident you won't need it.

before you begin

1. Check for damaged or missing parts. Call 1-855-MYTGTHOME (855-698-4846) to order missing supplies.
2. Use the carton as a work surface to prevent product damage during assembly.
3. Gather all tools prior to assembly.

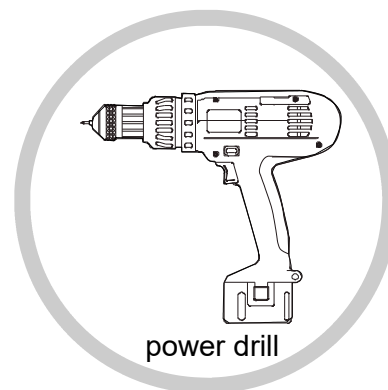
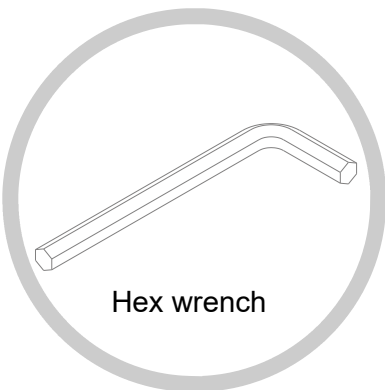
Before you begin >>>

3D-GUIDED INTERACTIVE ASSEMBLY INSTRUCTIONS CAN BE FOUND ON **BILT**[®]

DOWNLOAD THE FREE APP



tools needed (only hex wrench included)





For tipping restraint hardware kit only.

FURNITURE TIPPING RESTRAINT

YOUNG CHILDREN MAY BE INJURED BY TIPPING FURNITURE AND YOU MUST USE THIS TIPPING RESTRAINT TO ATTACH THIS UNIT TO THE WALL, TO PREVENT ACCIDENTS AND/OR INJURIES.

THIS HARDWARE, MUST BE PROPERLY INSTALLED (FOLLOW ALL DIRECTIONS IN ORDER ON THIS INSTRUCTIONS), TO PROVIDE PROTECTION AGAINST THE UNEXPECTED TIPPING OF FURNITURE DUE TO IMPROPER USE.

THIS PRODUCT IS ONLY A DETERRENT. IT IS NOT A SUBSTITUTE FOR PROPER ADULT SUPERVISION. USE OF TIP-OVER RESTRAINTS MAY ONLY REDUCE, BUT NOT ELIMINATE, THE RISK OF TIP-OVER.

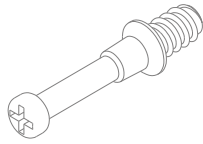
|  WARNING | |
|--|--|
| | <p>Children have died from furniture tip-over. To reduce the risk of furniture tip-over:</p> <ul style="list-style-type: none">• ALWAYS install tip-over restraint provided.• FOR use with televisions weighing 60 lbs / 27.2 kg or less. Use with heavier televisions may result in instability causing tip-over resulting in death or serious injury.• NEVER allow children to stand, climb or hang on drawers, doors, or shelves.• NEVER open more than one drawer at a time.• Place heaviest items in the lowest drawers. |
|  | <p>Use of tip-over restraints may only reduce, but not eliminate, the risk of tip-over.</p> |

hardware

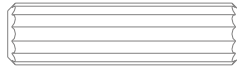
(H1) x 6
cam lock



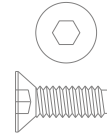
(H2) x 6
cam bolt



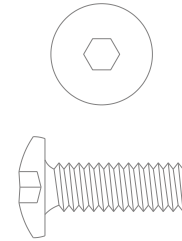
(H3) x 12
M8 x 30 mm
wood dowel



(H4) x 32
M4 x 12 mm bolt



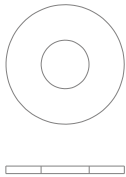
(H5) x 4
1/4" x 3/4" bolt



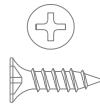
(H6) x 4
lock washer



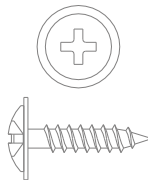
(H7) x 4
flat washer



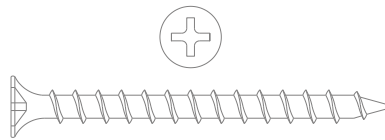
(H8) x 32
M3.5 x 12 mm screw



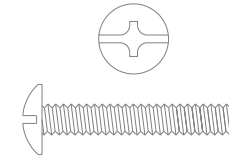
(H9) x 22
M3.5 x 15 mm
washer head screw



(H10) x 2
M4 x 50 mm screw



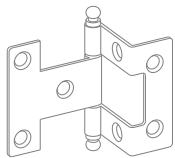
(H11) x 4
M4 x 25 mm
knob bolt



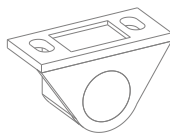
(H12) x 4
knob



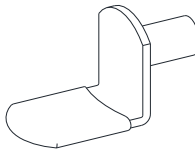
(H13) x 8
door hinge



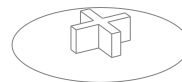
(H14) x 4
door catch



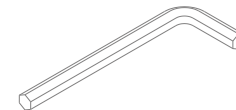
(H15) x 8
shelf support



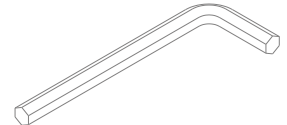
(H16) x 2
cam lock cover



(H17) x 1
small hex wrench

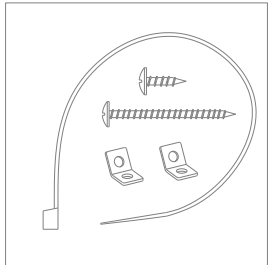


(H18) x 1
large hex wrench

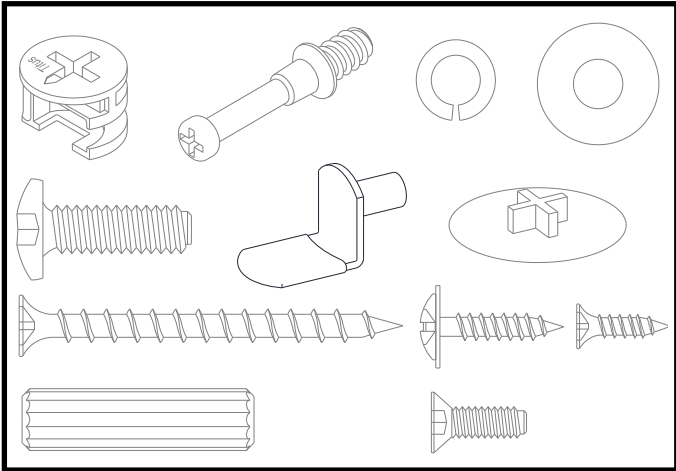


hardware

(H19) x 2
tipping restraint hardware kit
(inside plastic bag)

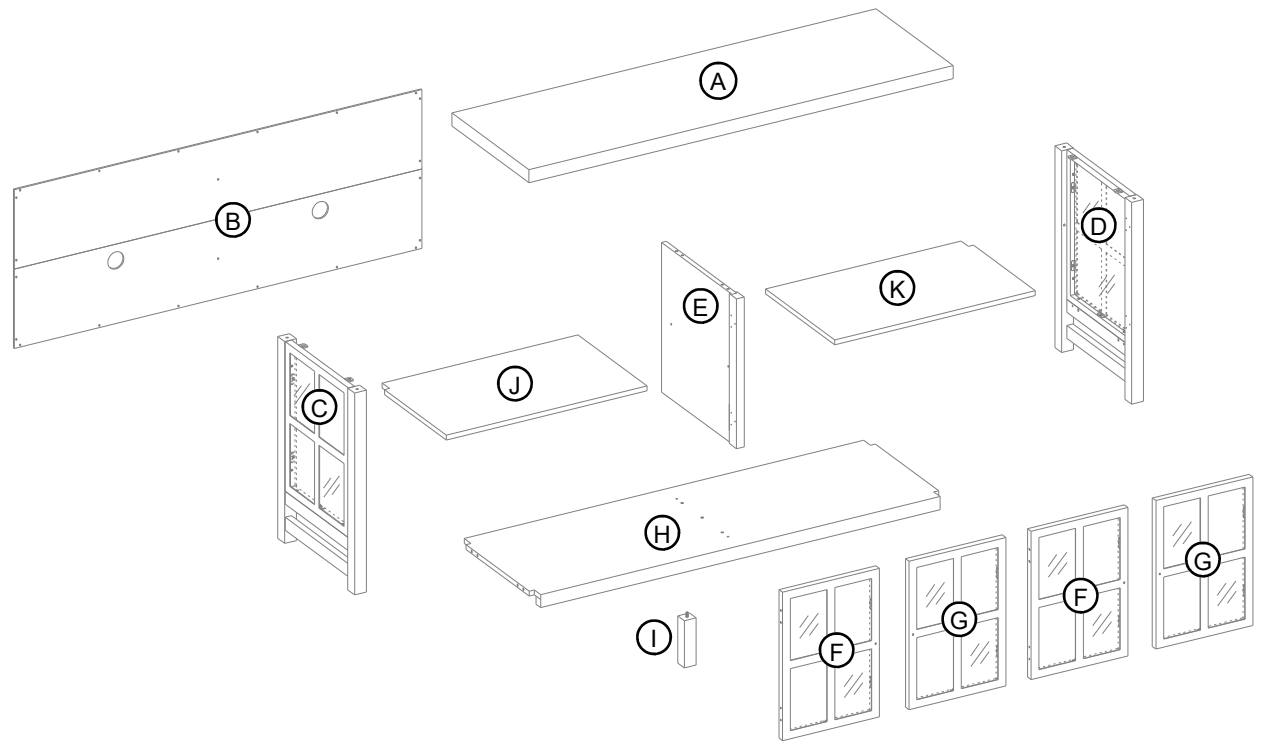


Spare hardware



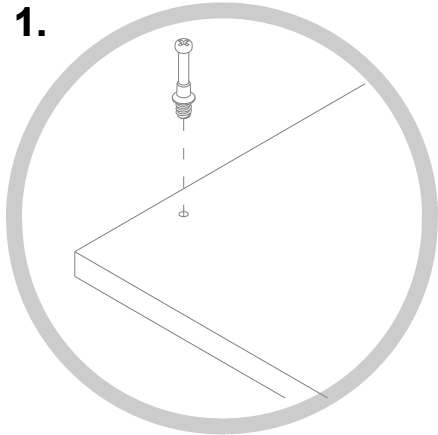
exploded diagram

| ITEM | DESCRIPTION | QTY |
|------|--------------------------|-----|
| A | Top panel | 1 |
| B | Back panel | 1 |
| C | Left side panel | 1 |
| D | Right side panel | 1 |
| E | Partition panel | 1 |
| F | Left door | 2 |
| G | Right door | 2 |
| H | Bottom panel | 1 |
| I | Support leg with leveler | 1 |
| J | Left adjustable shelf | 1 |
| K | Right adjustable shelf | 1 |



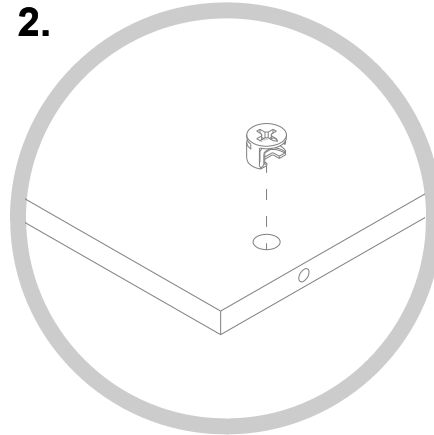
how to use the cam lock system

1.



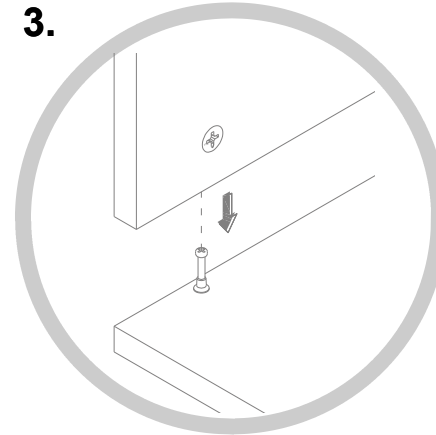
Screw cam bolt into panel

2.



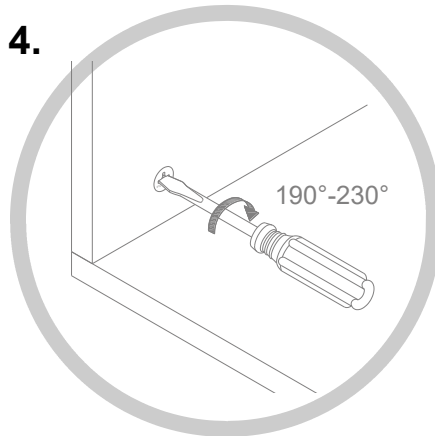
Push cam into panel - arrow feature on cam top points to panel edge

3.



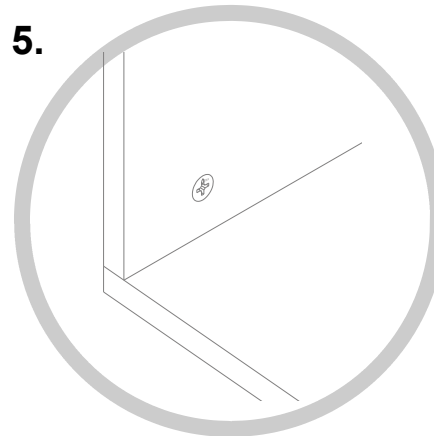
Align cam bolt(s) with cam(s) and insert all the way into cross-bored hole(s)

4.



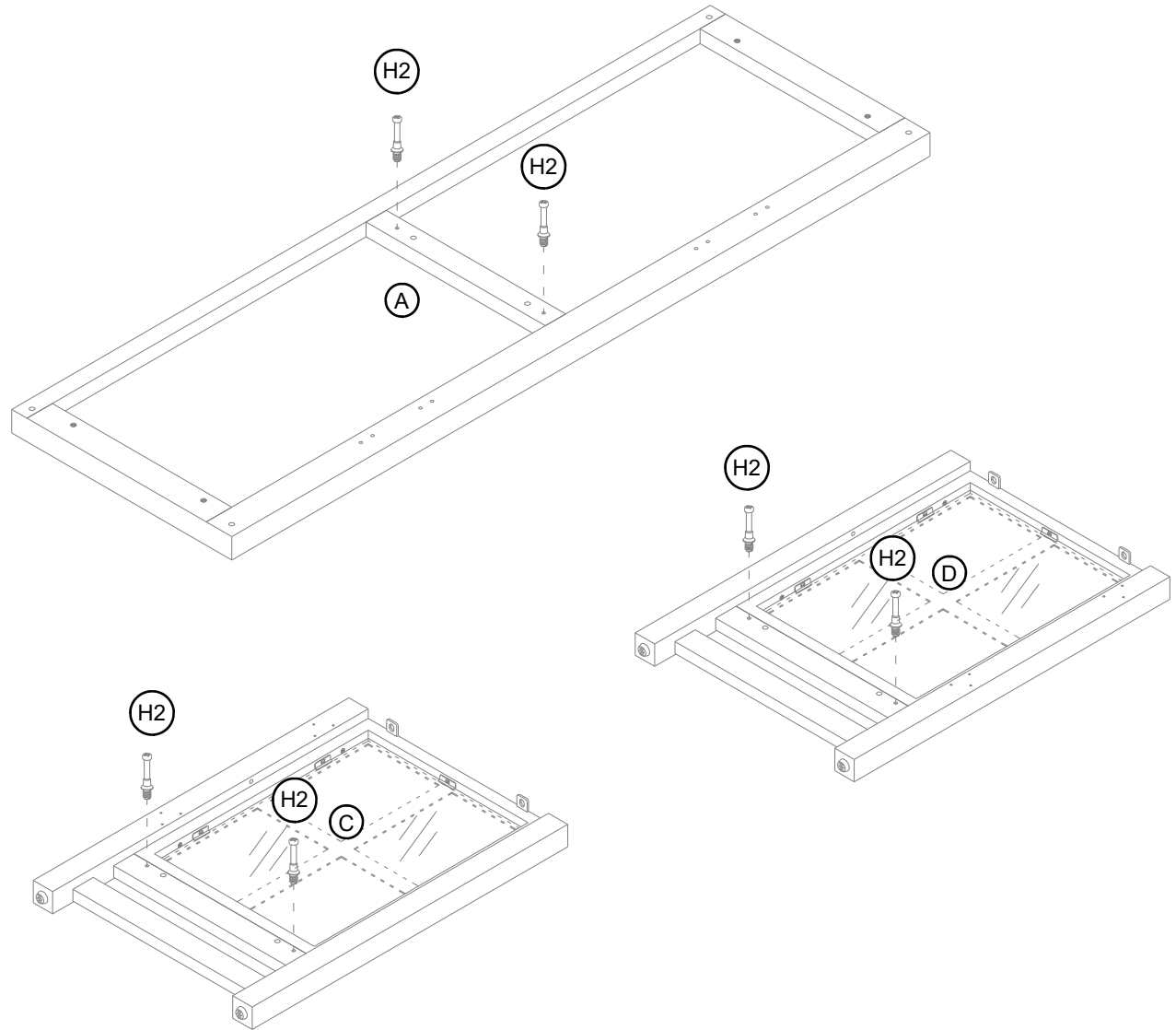
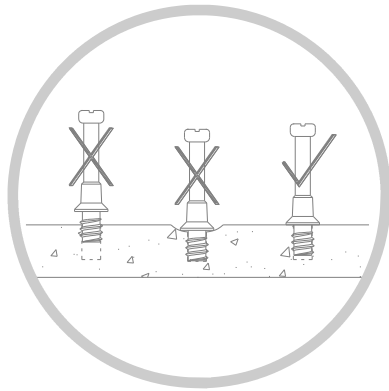
Rotate cam(s) clockwise 190°-230° to lock panels together

5.

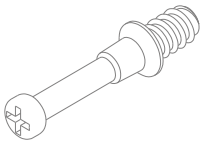


Panels should be tight against each other and connection should be rigid

step 1: screw-in the cam bolts on top panel and side panels

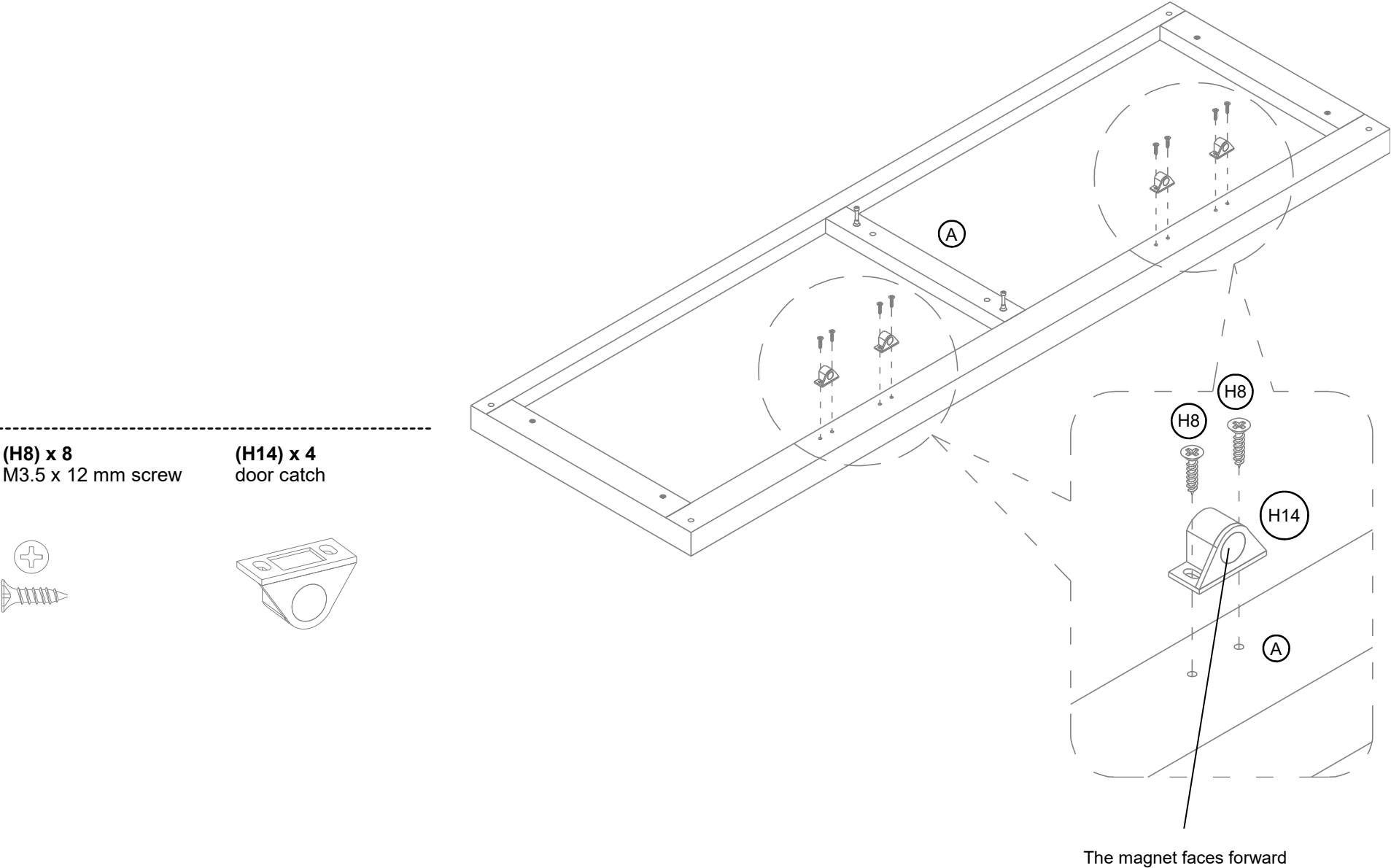


(H2) x 6
cam bolt



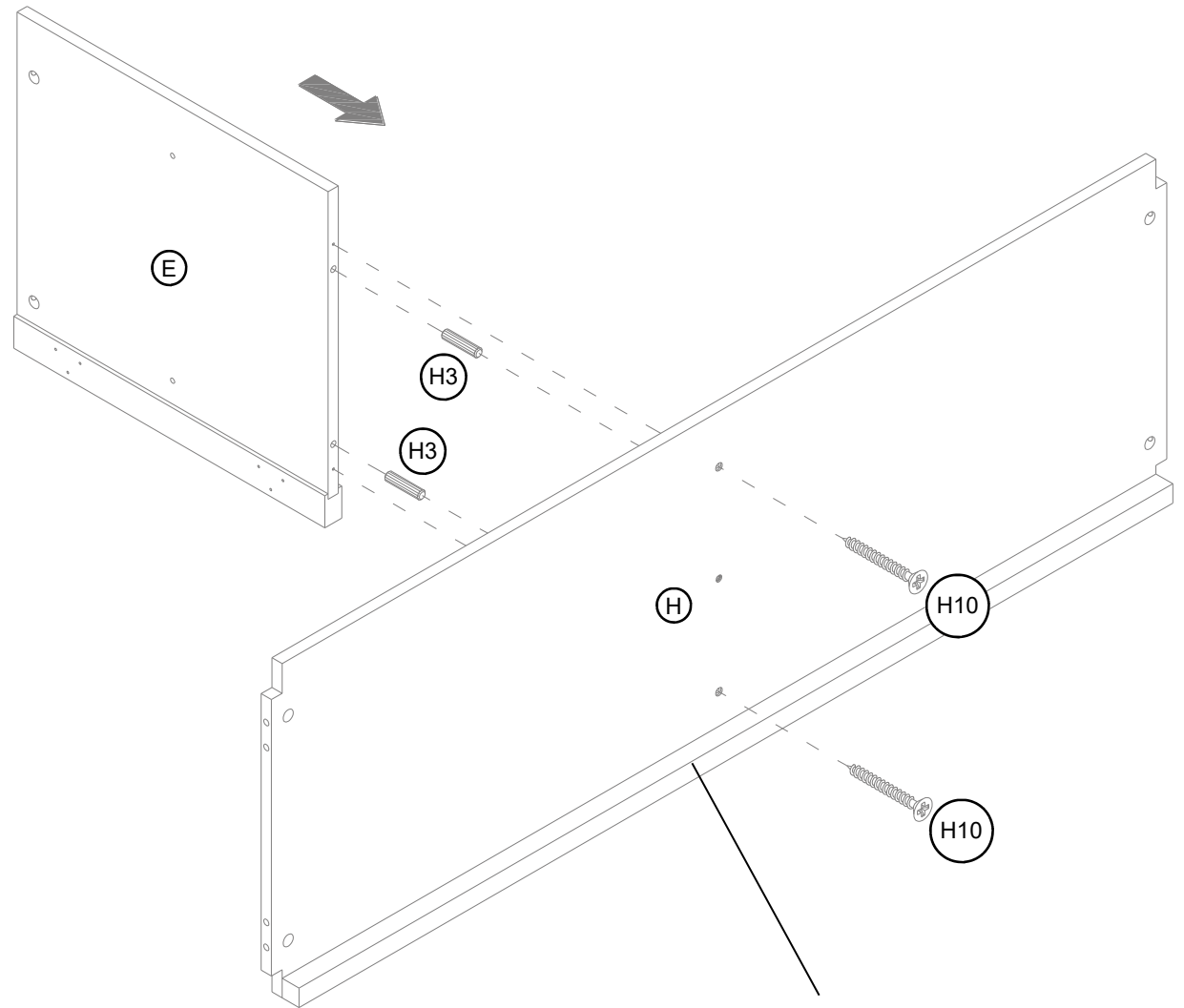
1.1. Securely screw the cam bolts (H2) into the designated small holes on the top panel (A) and side panels (C and D).

step 2: attach the door catches to the top panel



2.1. Using the pilot holes as a guide, attach four door catches (H14) to the top panel (A) as shown, with two 12 mm screws (H8) in each door catch.

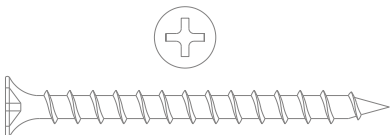
step 3: attach the bottom panel



(H3) x 2
M8 x 30 mm wood dowel

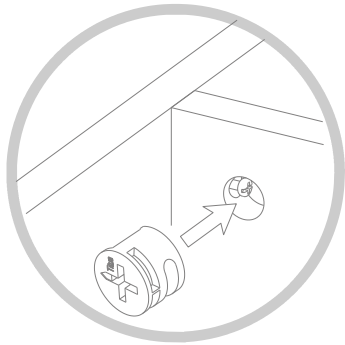


(H10) x 2
M4 x 50 mm screw



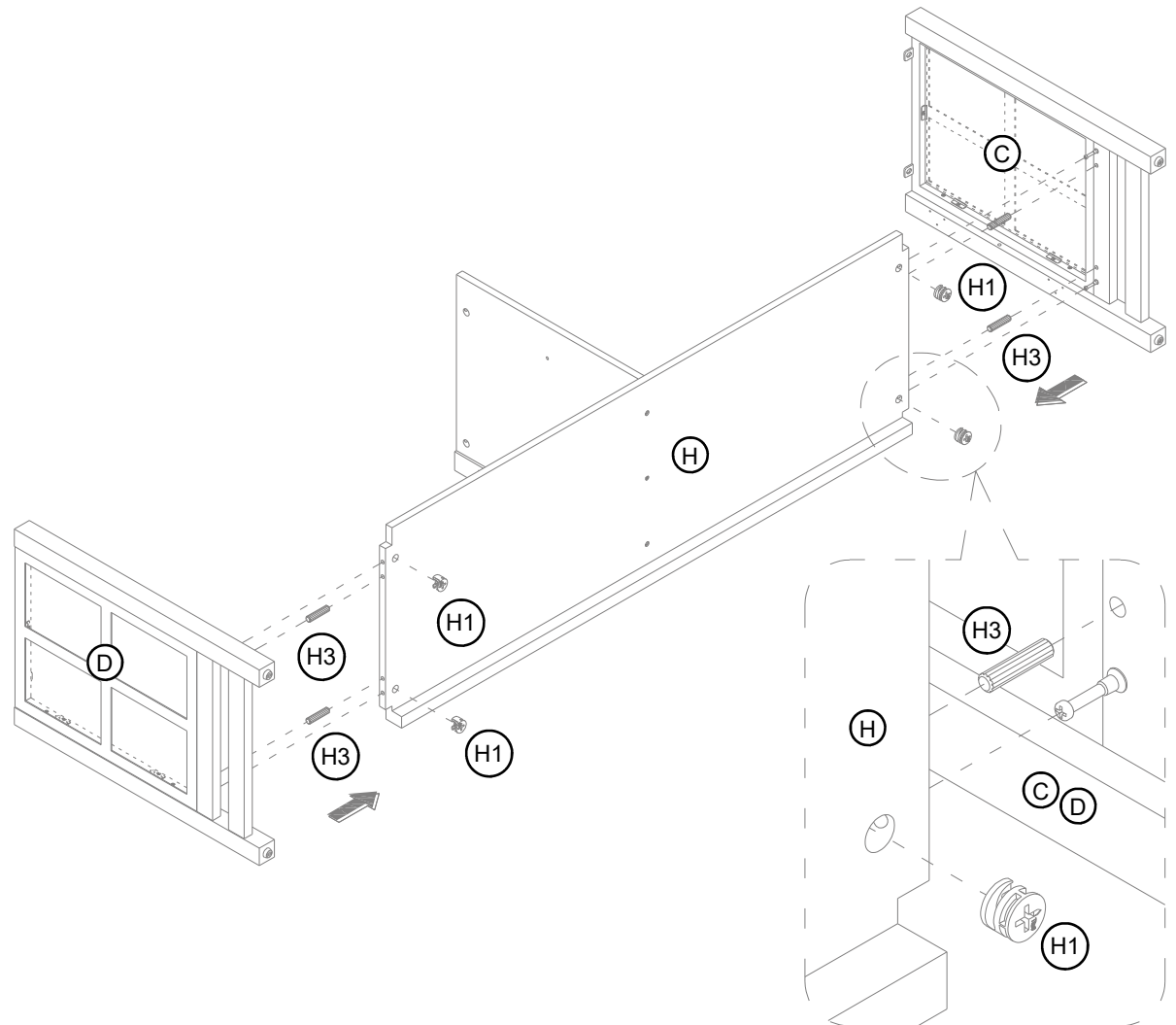
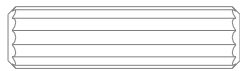
- 3.1. Insert two wood dowels (H3) into the bottom inner holes of partition panel (E).
- 3.2. Align and attach the partition panel (E) to the bottom panel (H) with two 50 mm screws (H10).

step 4: attach both side panels



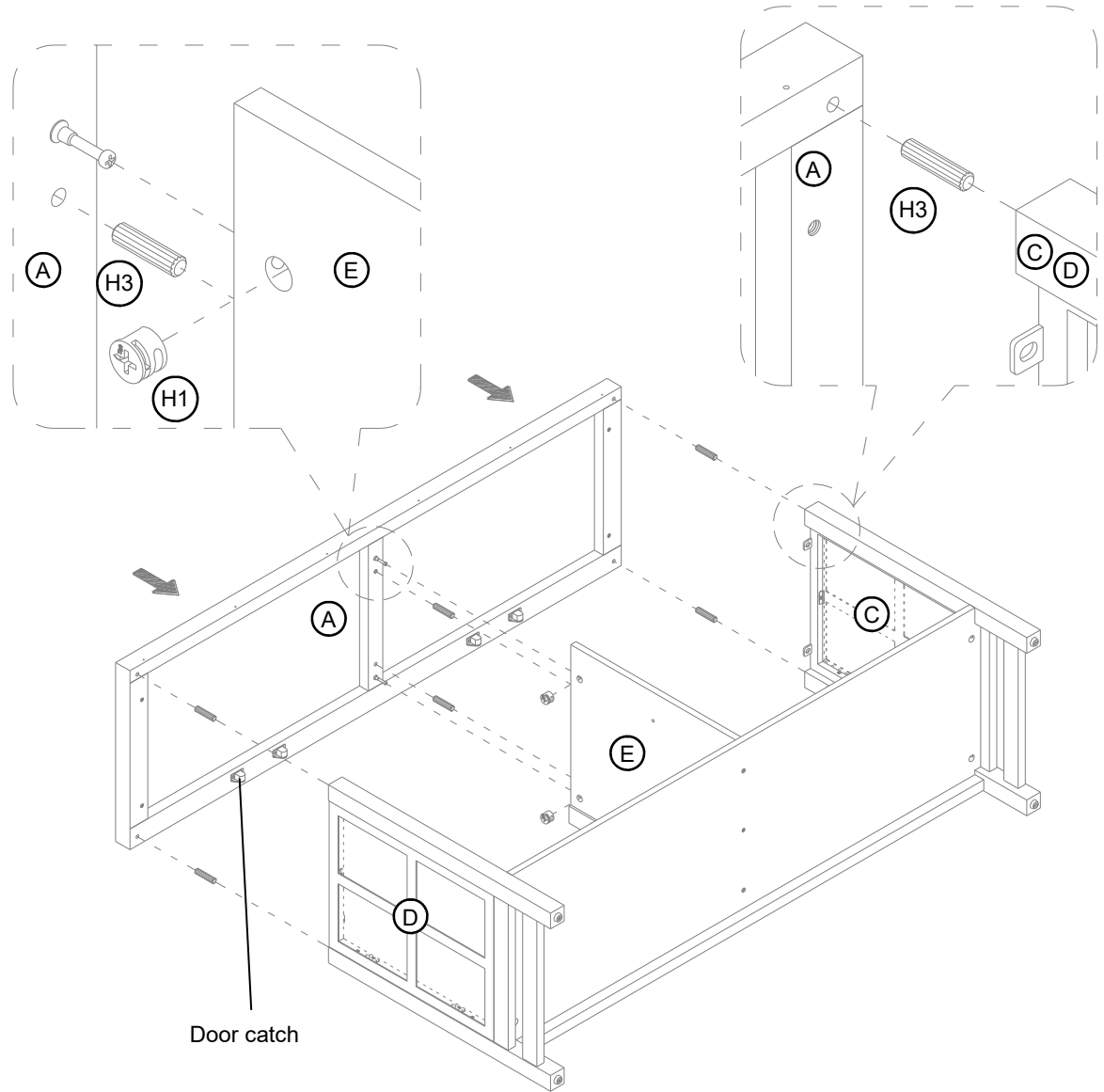
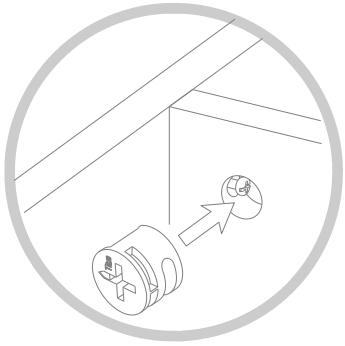
(H1) x 4
cam lock

(H3) x 4
M8 x 30 mm wood dowel



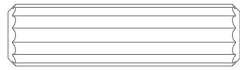
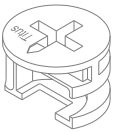
- 4.1. Insert four wood dowels (H3) into the bottom inner holes of the side panels (C and D).
- 4.2. Secure both side panels (C and D) to the bottom panel (H) using four cam locks (H1).

step 5: attach the top panel



(H1) x 2
cam lock

(H3) x 6
M8 x 30 mm wood dowel

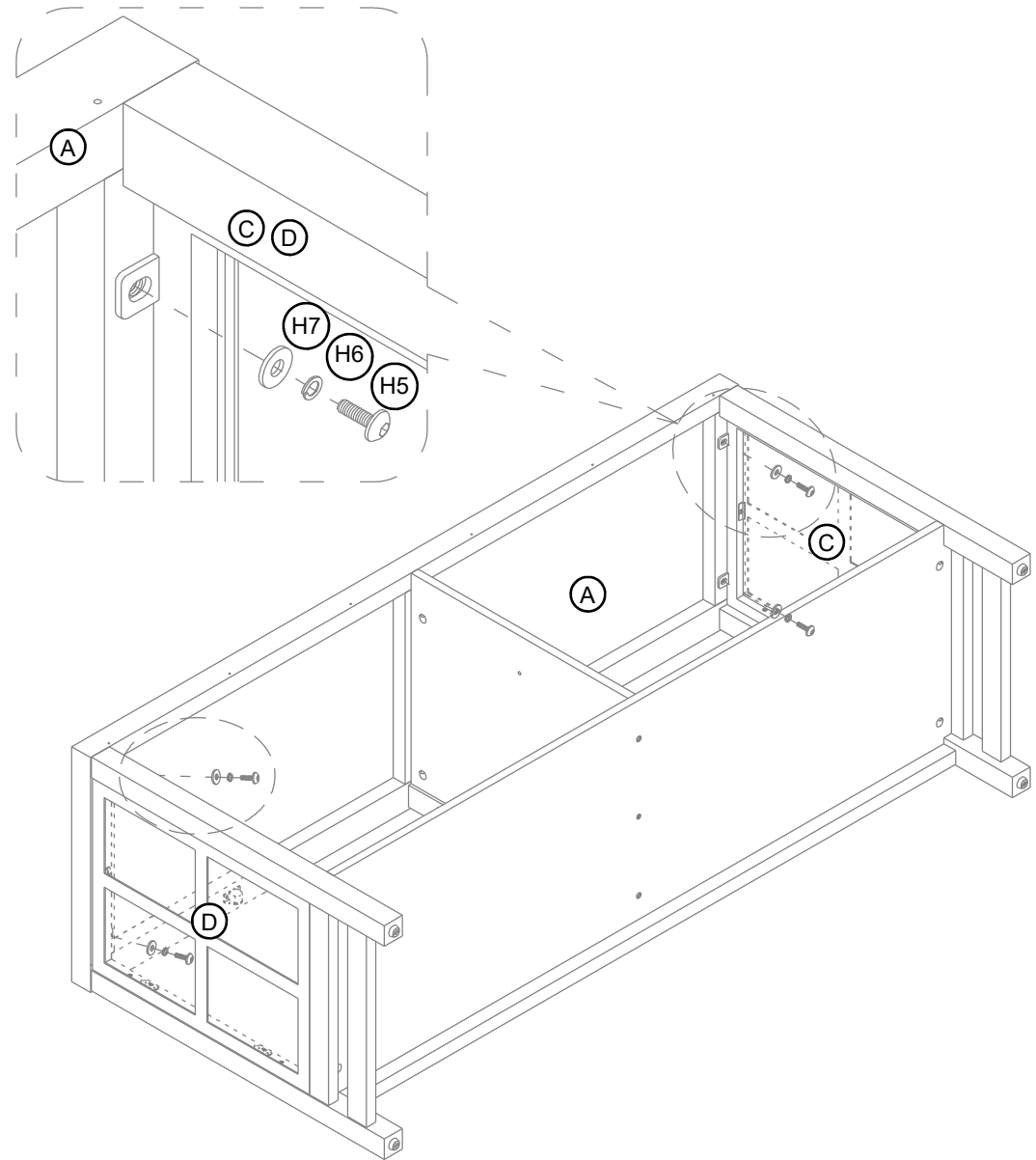


Door catch

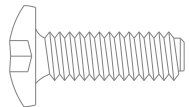
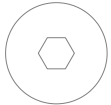
- 5.1. Insert six wood dowels (H3) into the top inner holes of the side panels (C and D) and partition panel (E).
- 5.2. Align and attach the top panel (A) to the vertical panels (C, D and E), and secure the partition panel (E) to the top panel (A) using two cam locks (H1).

step 6: secure both side panels to the top panel

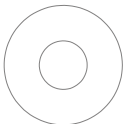
NOTE: DO NOT fully tighten all bolts until you finish assembling all parts. Once assembled, go back and fully tighten all bolts. This will make the assembly easier.



(H5) x 4
1/4" x 3/4" bolt



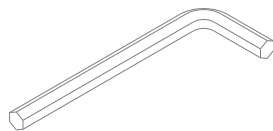
(H7) x 4
flat washer



(H6) x 4
lock washer



(H18) x 1
large hex wrench

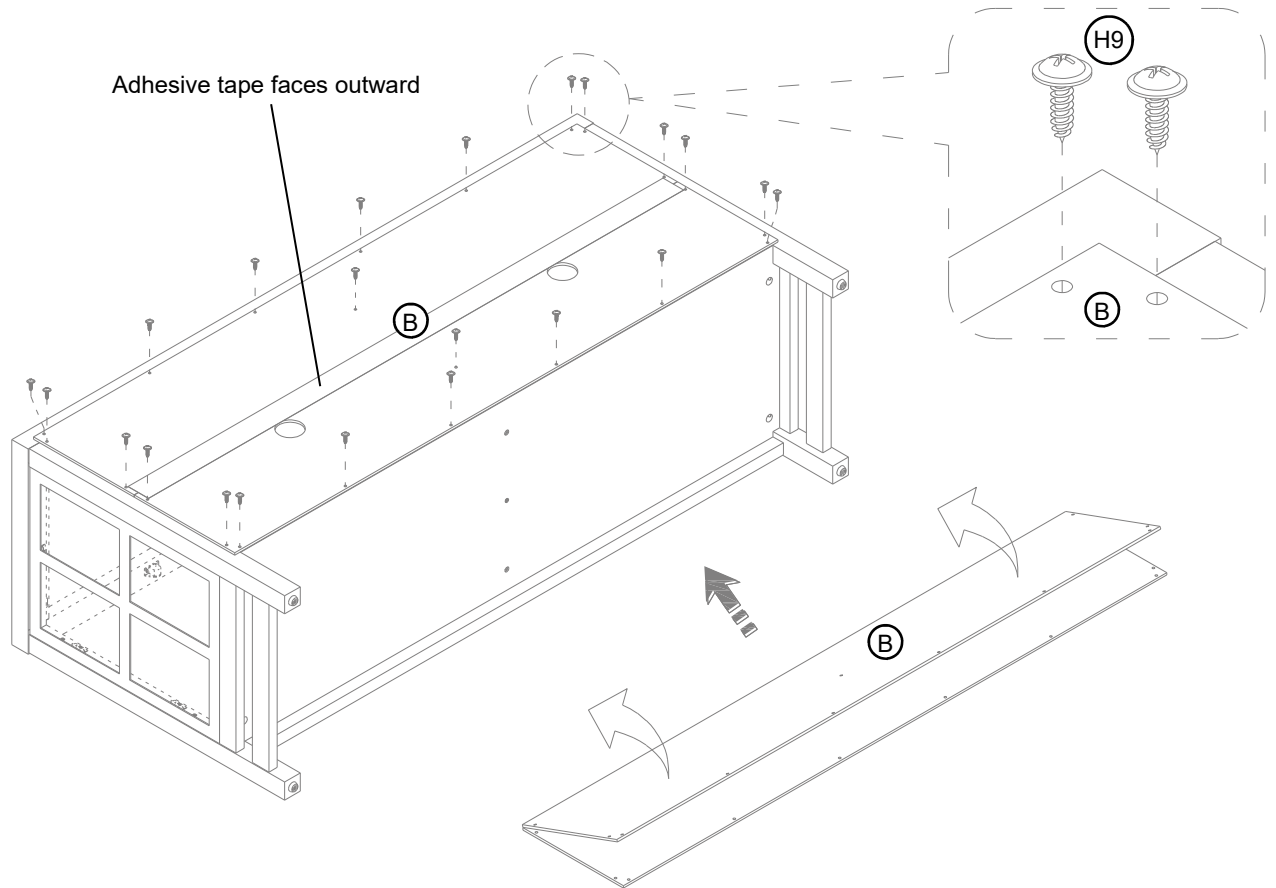


6.1. Secure both side panels (C and D) to the top panel (A) with four 3/4" bolts (H5) and four washers (H6 and H7).

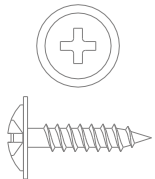
step 7: attach the back panel



CAUTION: Heavy! You may need assistance with this step.

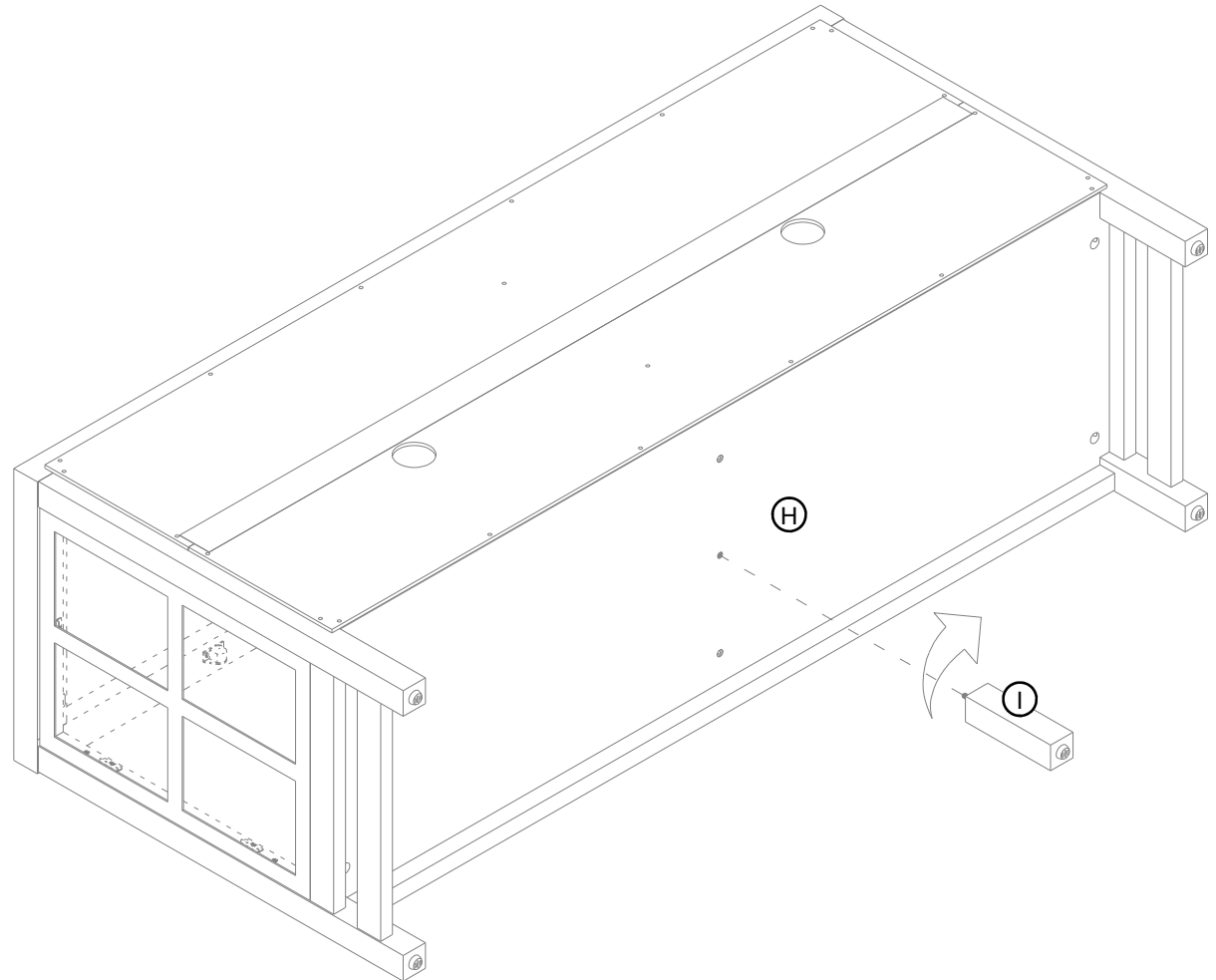


(H9) x 22
M3.5 x 15 mm
washer head screw



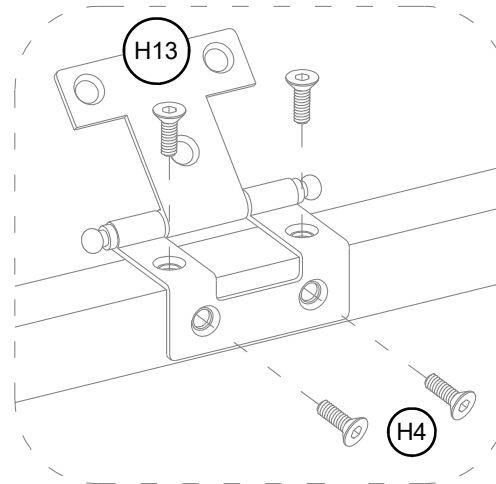
- 7.1. Now, go back and tighten all cam locks and screws. Make sure all the parts are tight and there are no gaps between the parts. This will help keep the unit square.
- 7.2. Unfold the back panel (B) and position it onto the back edges of the assembly. Make sure that the overlaps on the panels are even all the way around. Secure the back panel (B) in place with the washer head screws (H9).
NOTE: We recommend attaching back panel with the screws at the corners first.

step 8: secure the support leg to the bottom panel



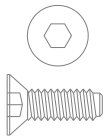
8.1. Securely screw the support leg (I) to the bottom panel (H) and set the floor leveler to the correct height.

step 9: attach the door hinges

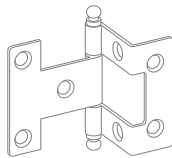


x 4

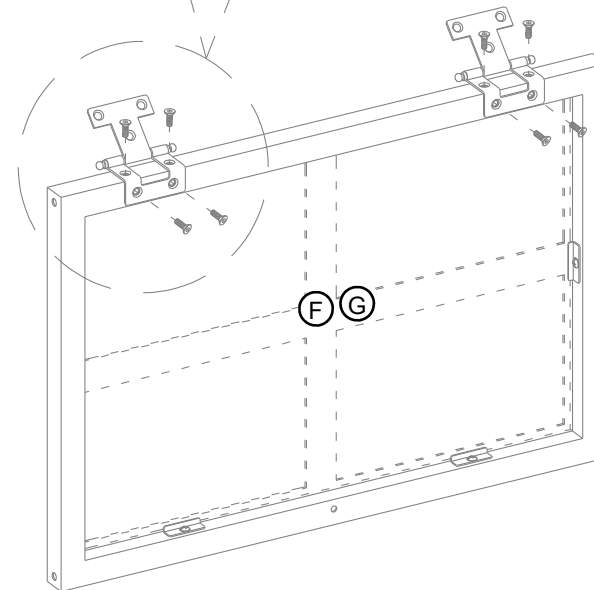
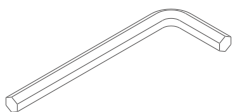
(H4) x 32
M4 x 12 mm bolt



(H13) x 8
door hinge



(H17) x 1
small hex wrench

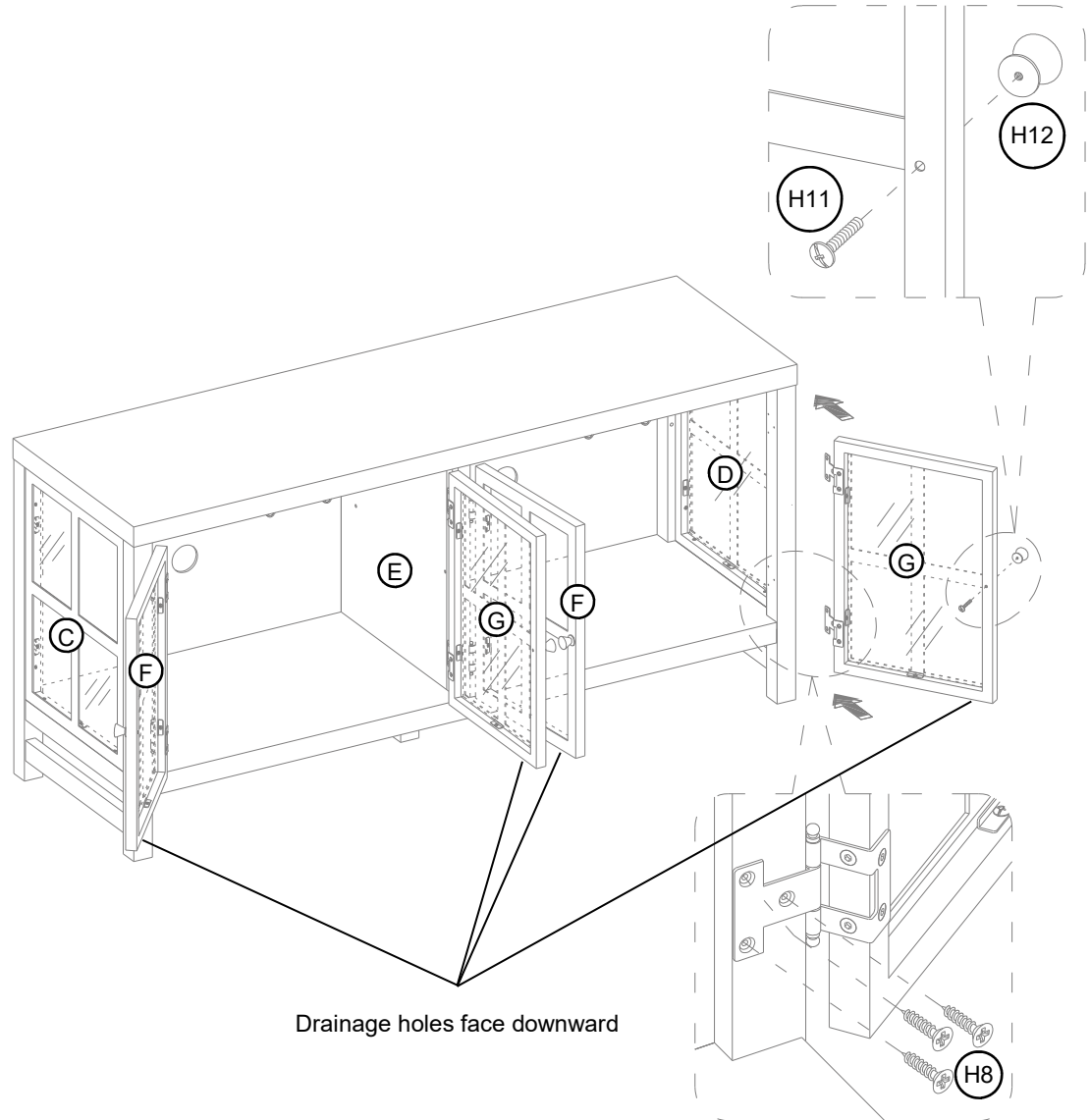


9.1. Align and attach two door hinges (H13) to each door (F and G), using four 12 mm bolts (H4) per hinge.

step 10: install the doors and knobs

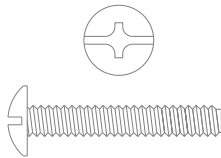
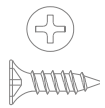


CAUTION: Heavy! You may need assistance with this step.



(H8) x 24
M3.5 x 12 mm screw

(H11) x 4
M4 x 25 mm knob bolt



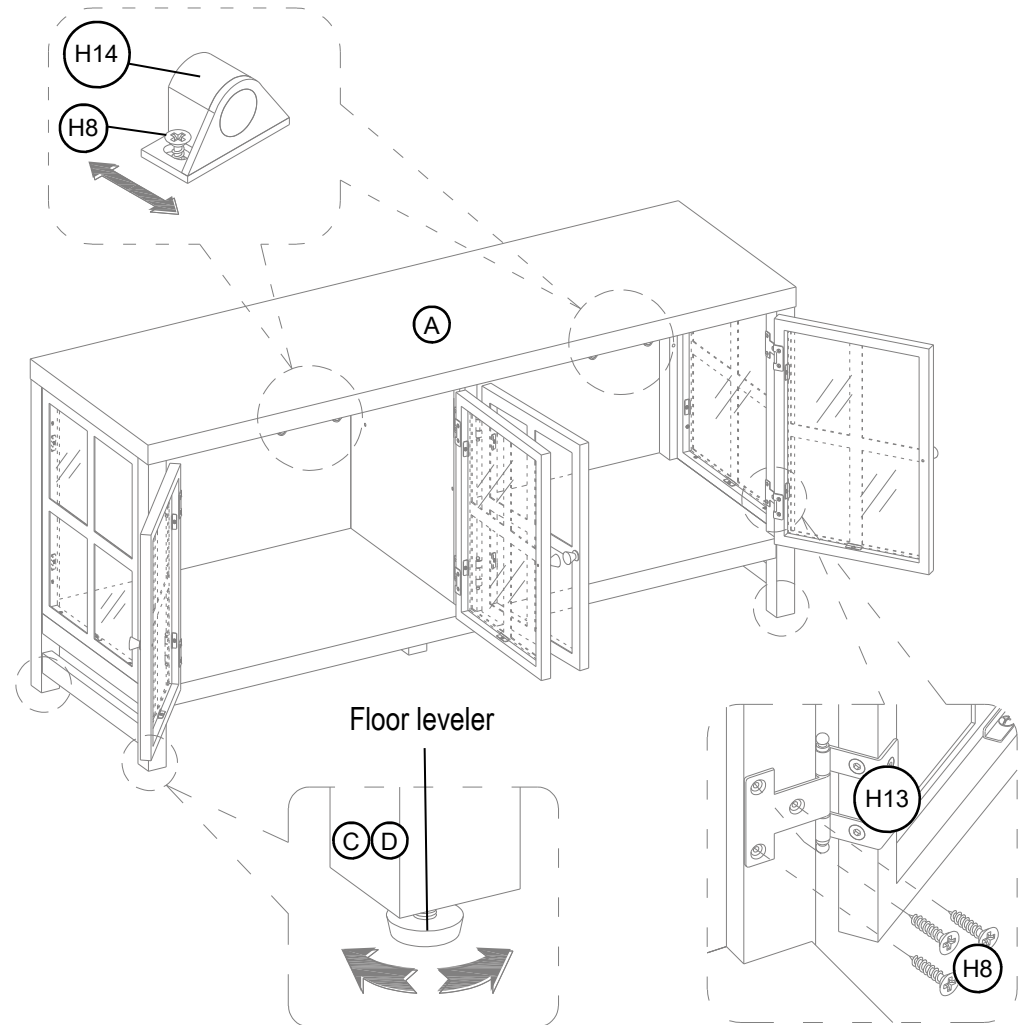
(H12) x 4
knob



- 10.1. Ask for assistance to lift the assembled unit upright and position it near the final location.
- 10.2. Using the pilot holes as a guide, attach the left and right doors (F and G) to the side panels (C and D) and partition panel (E) respectively.
- 10.3. Fasten the knob (H12) to the front side of each door (F and G).

step 11: correct the doors alignment

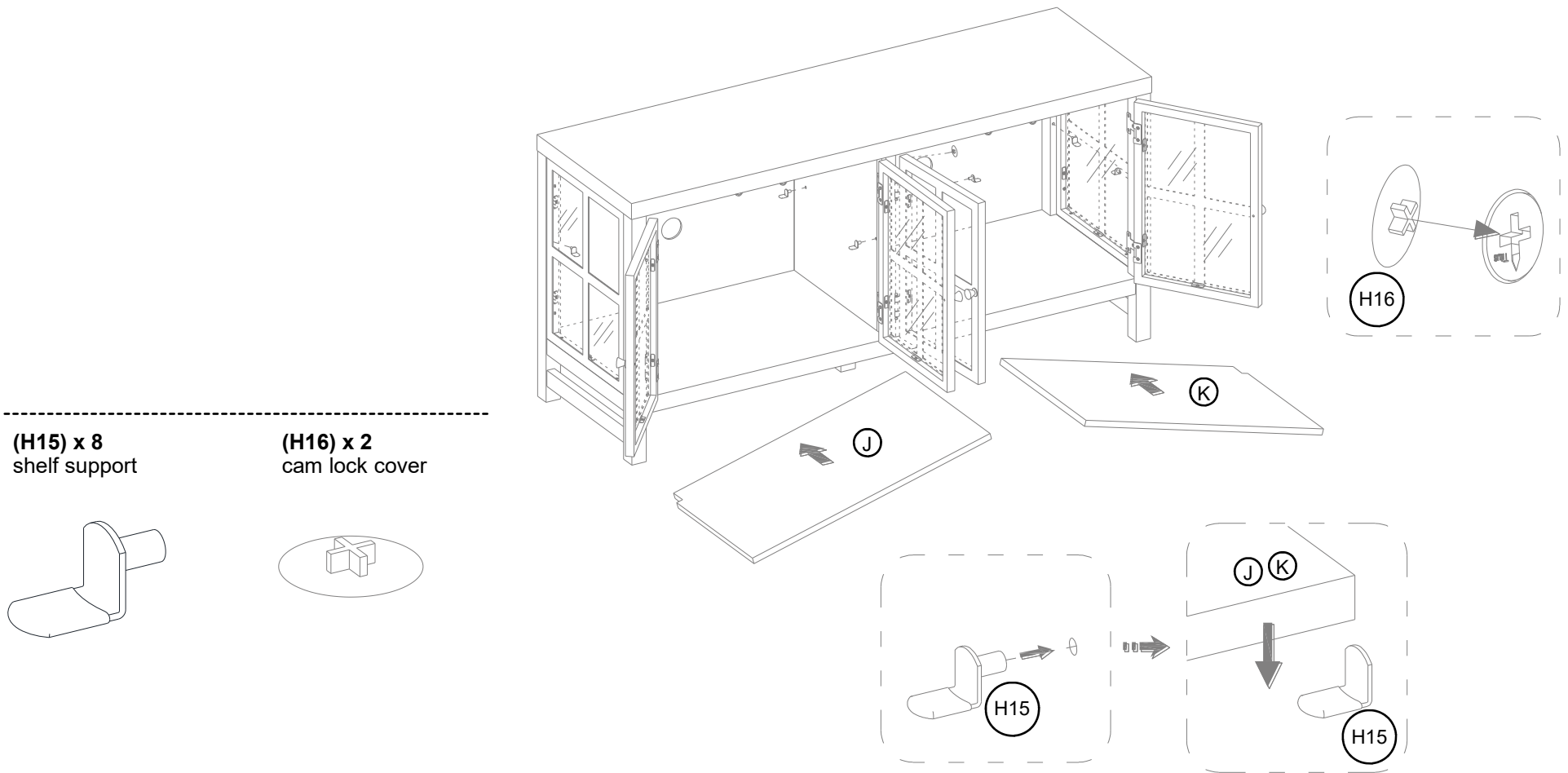
CAUTION: DO NOT open the middle two doors at the same time to avoid collision.



NOTE: Open and close the doors and adjust the gaps to make sure they are aligned and shut correctly.
If you find that the doors do not close properly or do not align correctly, please follow these steps:

- 11.1. Adjust the floor levelers pre-attached underneath the side panels (C and D) to level the doors.
- 11.2. The door catches (H14) can be adjusted to ensure that the doors function properly. This can be done by moving the catches forward and back.
- 11.3. Open the doors and loosen the installed screws (H8) on the door hinges (H13) and adjust properly for a good fit.
- 11.4. Once the doors function properly, go back and tighten all the screws.

step 12: install the adjustable shelves



12.1. Plug the cam lock covers (H16) into the visible cam locks to conceal the cams.

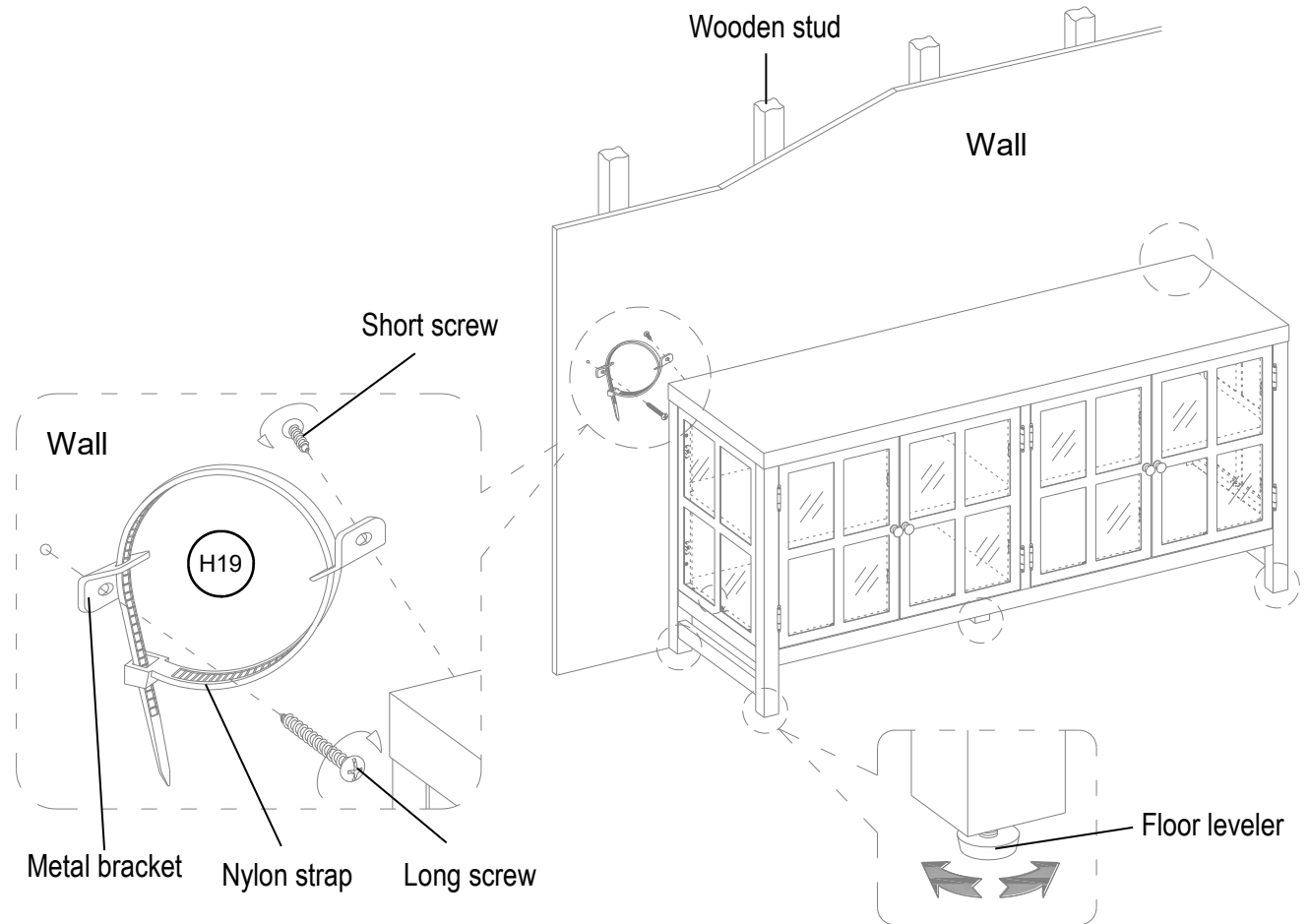
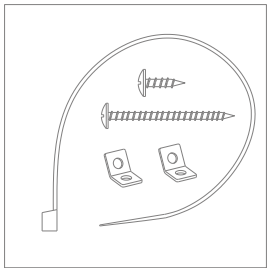
12.2. Insert four shelf supports (H15) into the desired holes in the sides of each compartment. Make sure you place the four shelf supports in the same level so the shelf is not tilted.

12.3. Tilt and rest the adjustable shelves (J and K) onto the shelf supports (H15).

step 13: install the tipping restraint hardware kit



(H19) x 2
tipping restraint hardware kit
(inside plastic bag)



Tools required: Phillips screwdriver, stud finder, tape measure, pencil, power drill and 1/8" drill bit (not provided).

13.1. Adjust the pre-attached floor levelers to level the unit against a wall.

13.2. Follow the instructions printed on plastic bag containing tipping restraint hardware to attach tip-over restraint between the unit and wall.

NOTE: You can share the back panel screw hole for the anti-tipping hardware. You must use this tipping restraint to attach this unit to the wall, to prevent accidents and/or injuries.

Care and Maintenance

- Use a soft, clean cloth that will not scratch the surface when dusting.
- Use of furniture polish is not necessary. Should you choose to use polish, test first in an inconspicuous area.
- Using solvents of any kind on your furniture may damage the finish.
- Never use water to clean your furniture as it may cause damage to the finish.
- Always use coasters under beverage glasses and flowerpots.
- Liquid spills should be removed immediately. Using a soft, clean cloth, blot the spill gently. Avoid rubbing.
- Always use protective pads under hot dishes and plates. Heat can cause chemical changes that may create spotting within the furniture finish.
- Stains or marks from crayons or ink markers will be difficult to remove.
- In the event that your furniture is stained or otherwise damaged during use, we recommend that you call a professional to repair your furniture.
- Check bolts/screws and nuts periodically and tighten them if necessary.

Further Advice about Wood Furniture Care

It is best to keep your furniture in a climate-controlled environment. Extreme temperature and humidity changes can cause fading, warping, shrinking and splitting of wood. It is advised to keep furniture away from direct sunlight as sun may damage the finish.

Proper care and cleaning at home will extend the life of your purchase. Following these important and helpful tips will enhance your furniture as it ages.

We hope you enjoy your purchase for many years.
Thank you for your purchase!

QUALITY GUARANTEE

We are confident that you will be delighted with your Whalen Furniture purchase.

Should this product be defective in workmanship or materials or fail under normal use, we will repair or replace it for up to one (1) year from date of purchase. Every Whalen Furniture product is designed to meet your highest expectations. We guarantee that you will immediately see the value of our fine furniture.

This warranty gives you specific legal rights and you may also have other rights which vary from state to state or province to province.

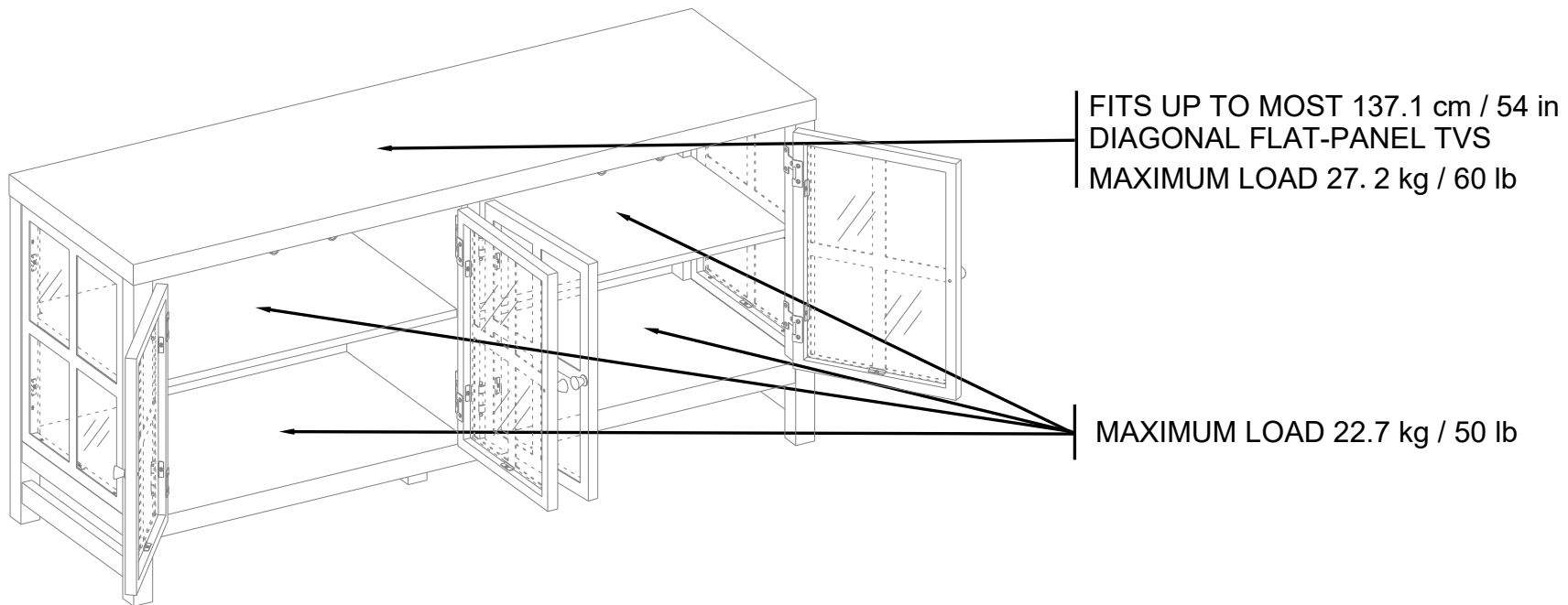
Customer Service: 1-855-MYTGTHOME (855-698-4846)
8:30 a.m. - 4:30 p.m., PST, Monday to Friday
www.whalenfurniture.com

MAXIMUM RECOMMENDED WEIGHT LOADS

MANUFACTURER: Whalen Furniture Manufacturing

CATALOG: Bountiful Wood & Glass Media Stand

MODEL # TGAVC-15



WARNING

THIS UNIT IS NOT INTENDED FOR USE WITH CRT TVS. USE ONLY WITH FLAT PANEL TVS AND AUDIO/ VIDEO EQUIPMENT MEETING RECOMMENDED SIZE AND WEIGHT LIMITS. NEVER USE WITH LARGER/HEAVIER THAN RECOMMENDED FLAT PANEL TVS OR EQUIPMENT. TO AVOID INSTABILITY, PLACE FLAT PANEL TV IN THE CENTRE OF THE UNIT; THE BASE OF THE TELEVISION MUST BE ABLE TO REST ON THE SUPPORTING SURFACE OF THE UNIT WITHOUT OVER-HANGING THE EDGES. IMPROPERLY POSITIONED FLAT PANEL TVS, OR FLAT PANEL TVS INCLUDING OTHER EQUIPMENT THAT EXCEED RECOMMENDED SIZE AND WEIGHT LIMITS COULD FALL OFF OR BREAK THE UNIT, CAUSING POSSIBLE SERIOUS INJURY. FOR USE WITH TELEVISIONS WEIGHING 60 LBS (27.2 KG) OR LESS. USE WITH HEAVIER TELEVISIONS MAY RESULT IN INSTABILITY CAUSING TIP OVER RESULTING IN DEATH OR SERIOUS INJURY.

The maximum recommended weight allowance is 27.2 kg / 60 lb for top surface.

The maximum recommended weight allowance is 22.7 kg / 50 lb for shelf and bottom panel.

WARNING

Please use your furniture correctly and safely. Improper use can cause safety hazards, or damage to your furniture or household items. Carefully read the following safety information.

This unit is not intended for use with CRT TVs. The top surface maximum weight capacity is 60 lbs. (27.2 kg) and maximum load 54 in. (137.1 cm) diagonal flat-panel TV. The shelf maximum recommended weight allowance is 50 lbs. (22.7 kg). Use with heavier televisions may result in instability causing tip over resulting in death or serious injury.

Death or serious injury may occur when children climb on audio and/or video equipment furniture. A remote control or toys placed on the furnishing may encourage a child to climb on the furnishing and as a result may tip over onto the child.

NEVER allow children to climb or play with the TV or furnishing supporting the TV.

NEVER place toys, food, remote, etc. on top of the TV or TV furnishing.

ALWAYS use either the safety hardware as instructed or other wall anchoring device.

Relocating audio and/or video equipment to furniture not specifically designed to support audio and/or video equipment may result in death or serious injury due to furniture collapse or over turning onto a child.

NEVER place a TV on furniture that is not intended to support a TV.

NEVER exceed the maximum size and weight of the TV shown in the instructions.

Be sure to refer to the TV warning label as shown in the instructions.

Overloading drawers and shelves may result in furniture that can break or sag, or tip-over which may result in injury.

NEVER exceed the weight limits shown in the instructions.

Place the heavier items on lower shelves as far back from the front as possible.

Load the bottom surfaces first to avoid top-heavy furniture.

Moving furniture that is not designed to be moved or equipped with casters may result in injury or damage to furnishings or personal property.

ALWAYS unload shelves and drawers, starting with the top surfaces, before moving.

NEVER push or pull furniture on carpet. Have a friend help lift properly to move and/or reposition it.

The unit is not meant as a seat and no one should be sitting or standing on the top panel.