



THRESHOLD™
— *designed with* —
STUDIO MCGEE

Promontory 60" Sliding Glass Media Stand

Style # TGAVC60-19

DPC-item #:249-10-0031



>> [Assembly instructions](#)



Congratulations on your latest Target purchase.

Now what? Don't start sweating over this box of parts. This will be easy. We did the hard work for you. All you need to do is follow our simple instructions and you'll be on your way to transforming your room in no time. Good luck – though we're confident you won't need it.

before you begin

1. Check for damaged or missing parts. Call 1-855-MYTGTHOME (855-698-4846) to order missing supplies.
2. Use the carton as a work surface to prevent product damage during assembly.
3. Gather all tools prior to assembly.

IMPORTANT / IMPORTANTE

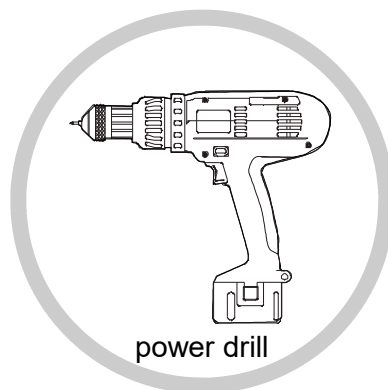


BILT.

Scan for easy 3D instructions
Scannez pour des instructions faciles en 3D
Escanea para instrucciones fáciles en 3D

Download on the App Store GET IT ON Google Play

tools needed (not included)



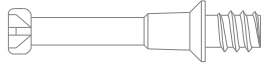
For tipping restraint hardware kit only.

hardware

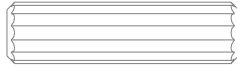
(H1) x 28
cam lock



(H2) x 28
cam bolt



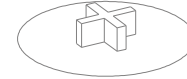
(H3) x 22
M8 x 30mm
wood dowel



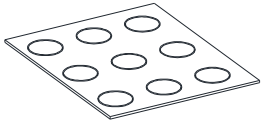
(H4) x 8
shelf support



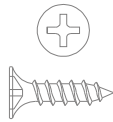
(H5) x 28
cam lock cover



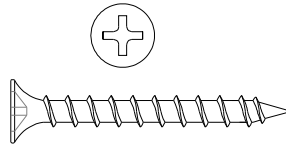
(H6) x 8+1
rubber bumper



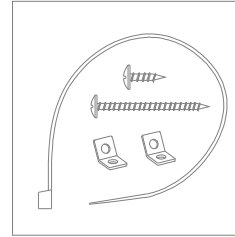
(H7) x 8
M3.5 x 12mm screw



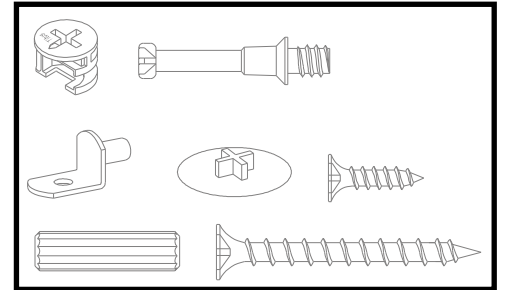
(H8) x 2
M4 x 35mm screw



(H9) x 2
tipping restraint hardware kit
(inside plastic bag)

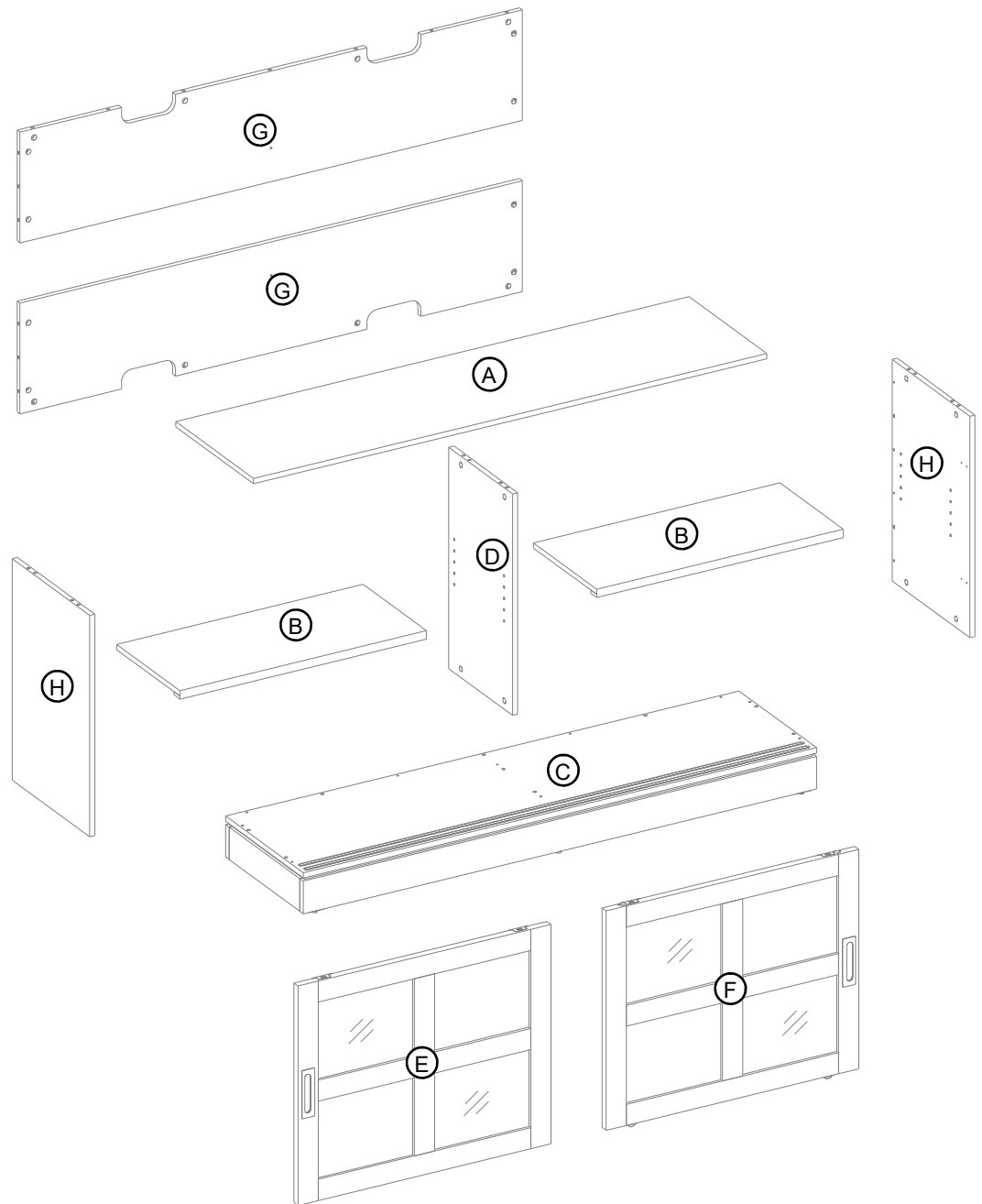


Spare hardware

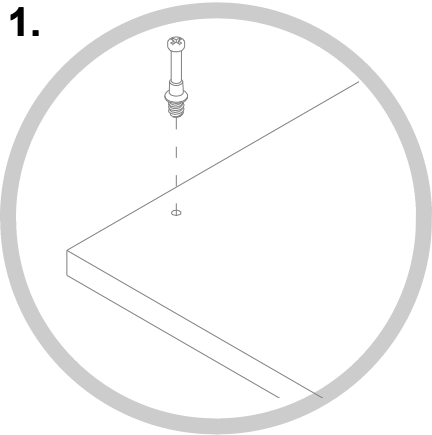


exploded diagram

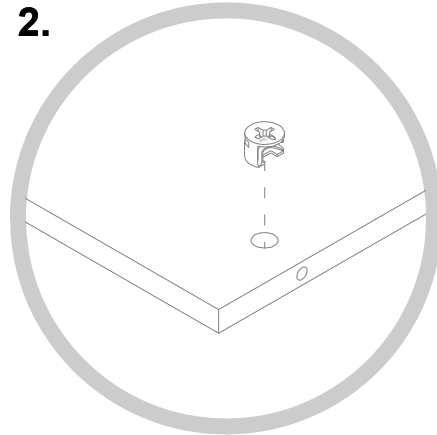
ITEM	DESCRIPTION	QTY
A	Top panel	1
B	Adjustable shelf	2
C	Base	1
D	Middle partition	1
E	Left sliding door	1
F	Right sliding door	1
G	Back panel	2
H	Side panel	2



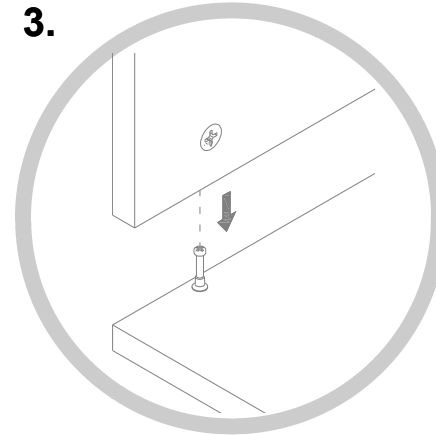
how to use the cam lock system



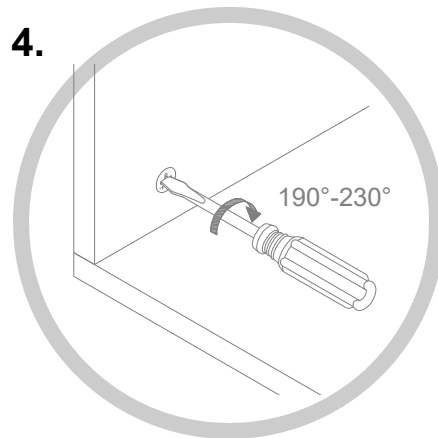
Screw cam bolt into panel



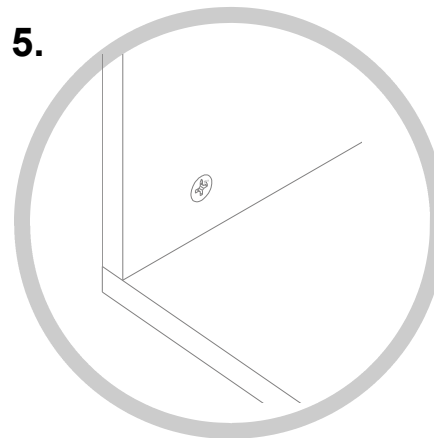
Push cam into panel - arrow feature on cam top points to panel edge



Align cam bolt(s) with cam(s) and insert all the way into cross-bored hole(s)

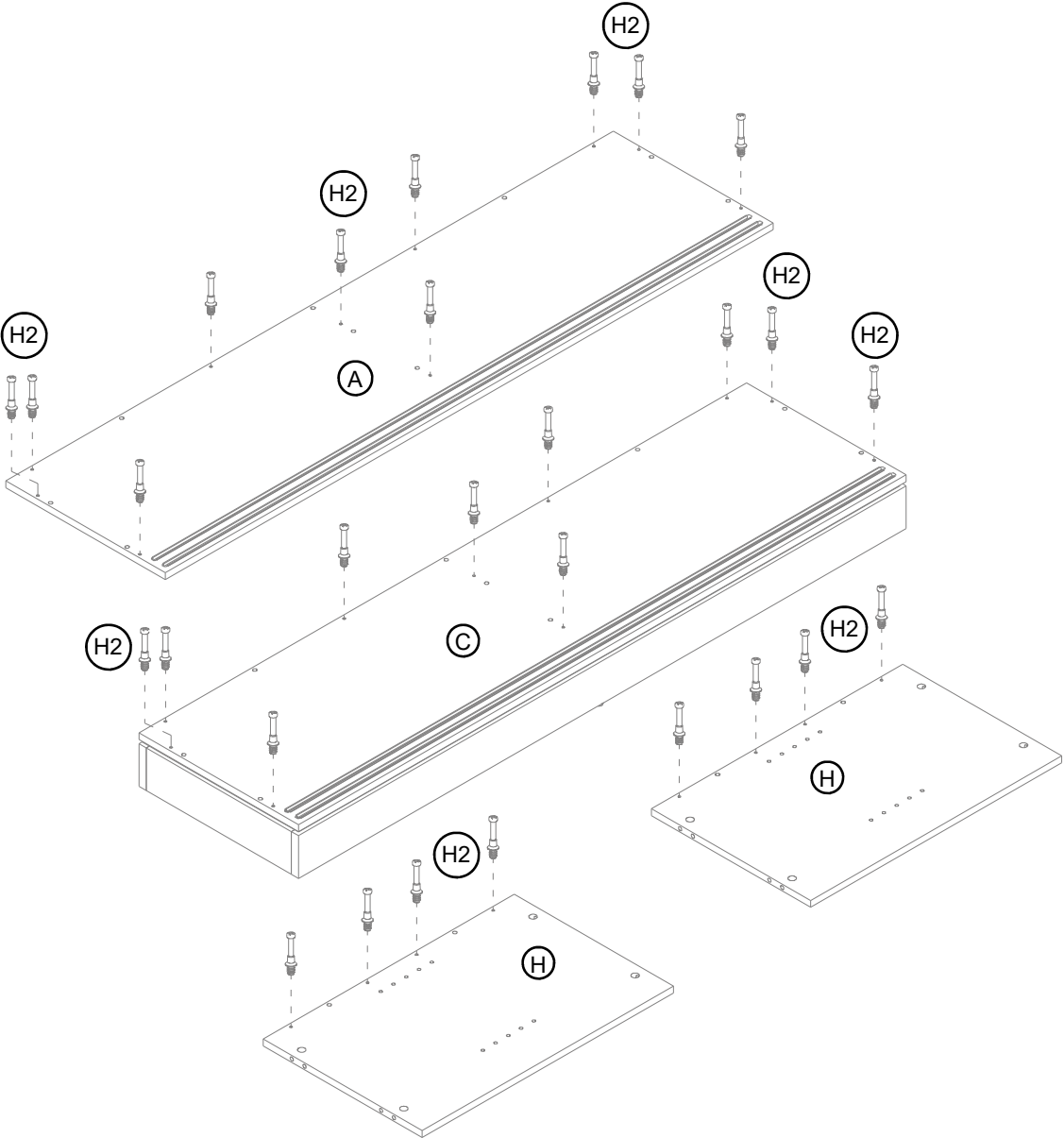
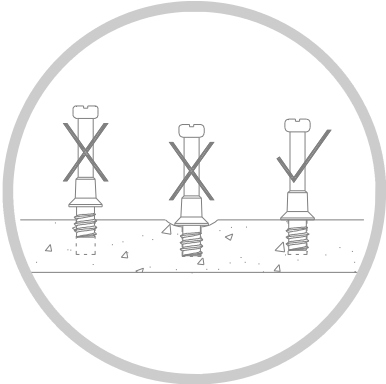


Rotate cam(s) clockwise 190°-230° to lock panels together

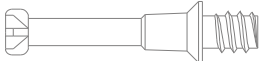


Panels should be tight against each other and connection should be rigid

step 1: prepare the top panel, side panels and base assembly

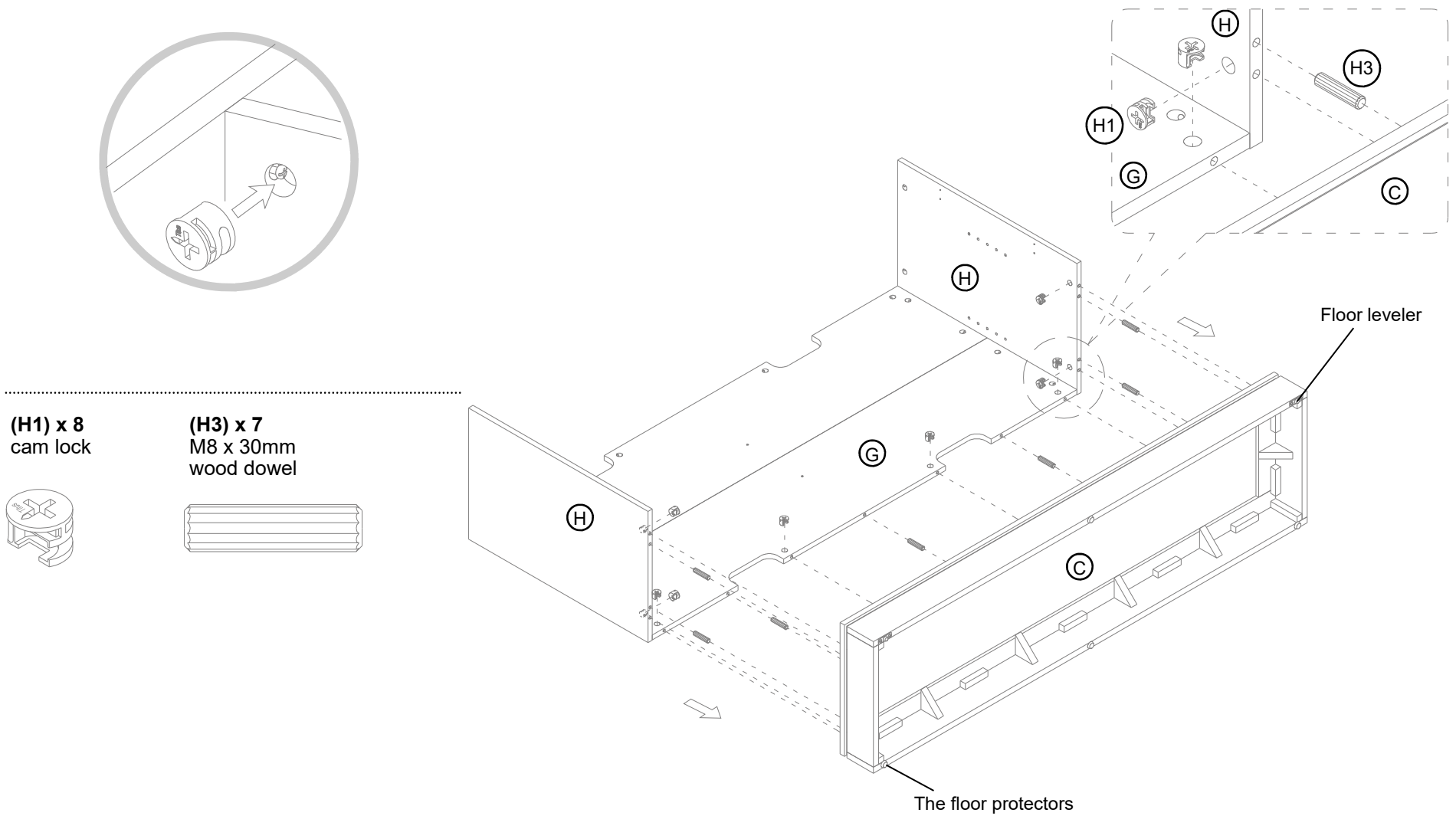


(H2) x 28
cam bolt



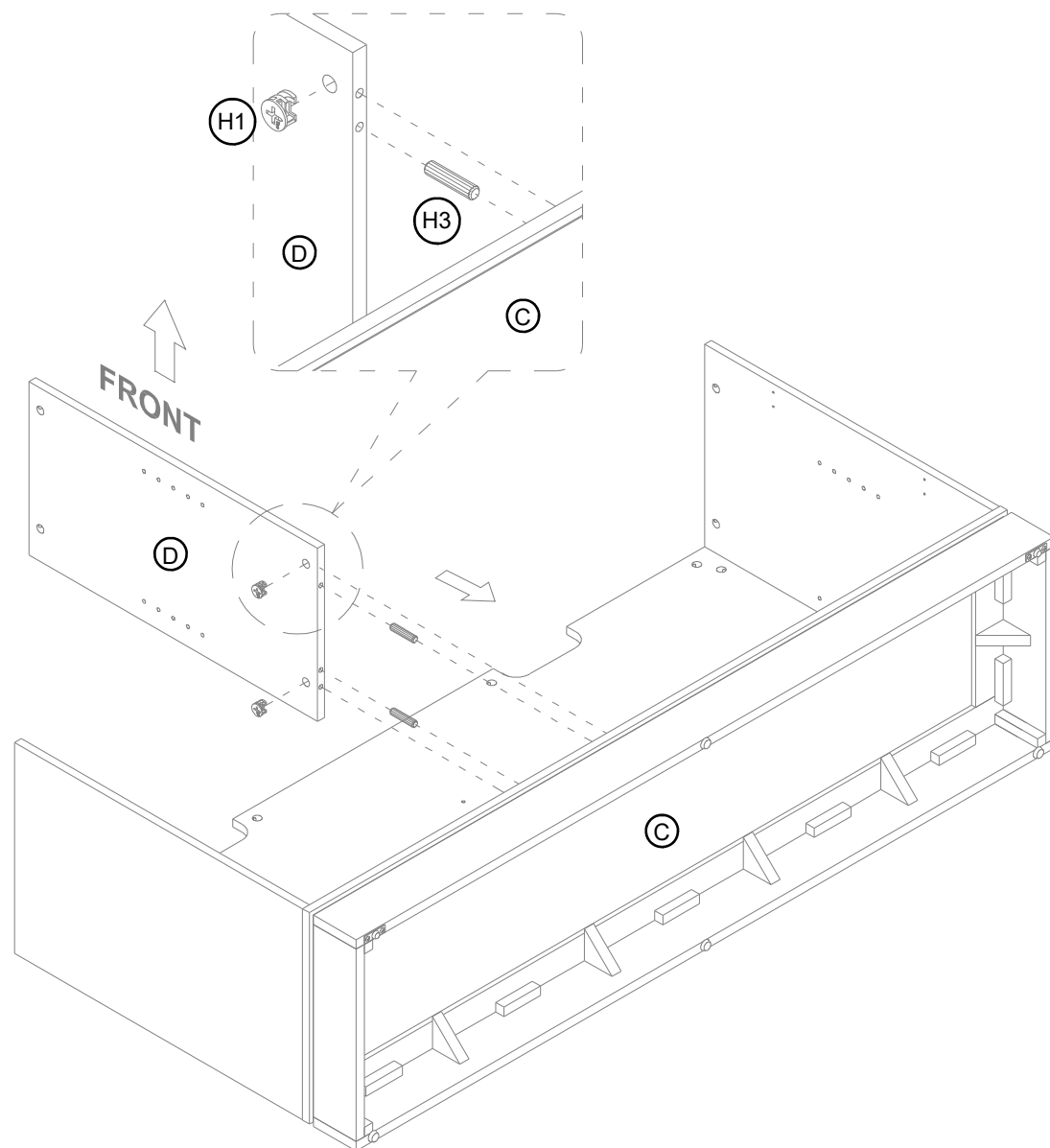
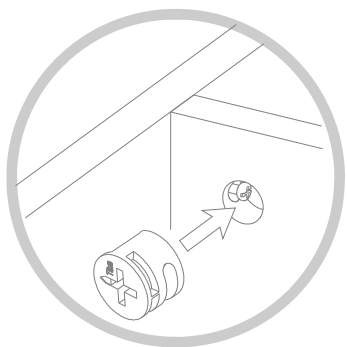
1.1. Securely screw the cam bolts (H2) into the designated small holes on the top panel (A), the base (C) and the side panels (H).

step 3: attach the previous assembly to the base



- 3.1. Insert seven 30mm wood dowels (H3) into the bottom inner holes of the panels (H and G).
- 3.2. Align and attach both side panels (H) and back panel (G) to the base (C) with eight cam locks (H1).

step 4: attach the middle partition to the base



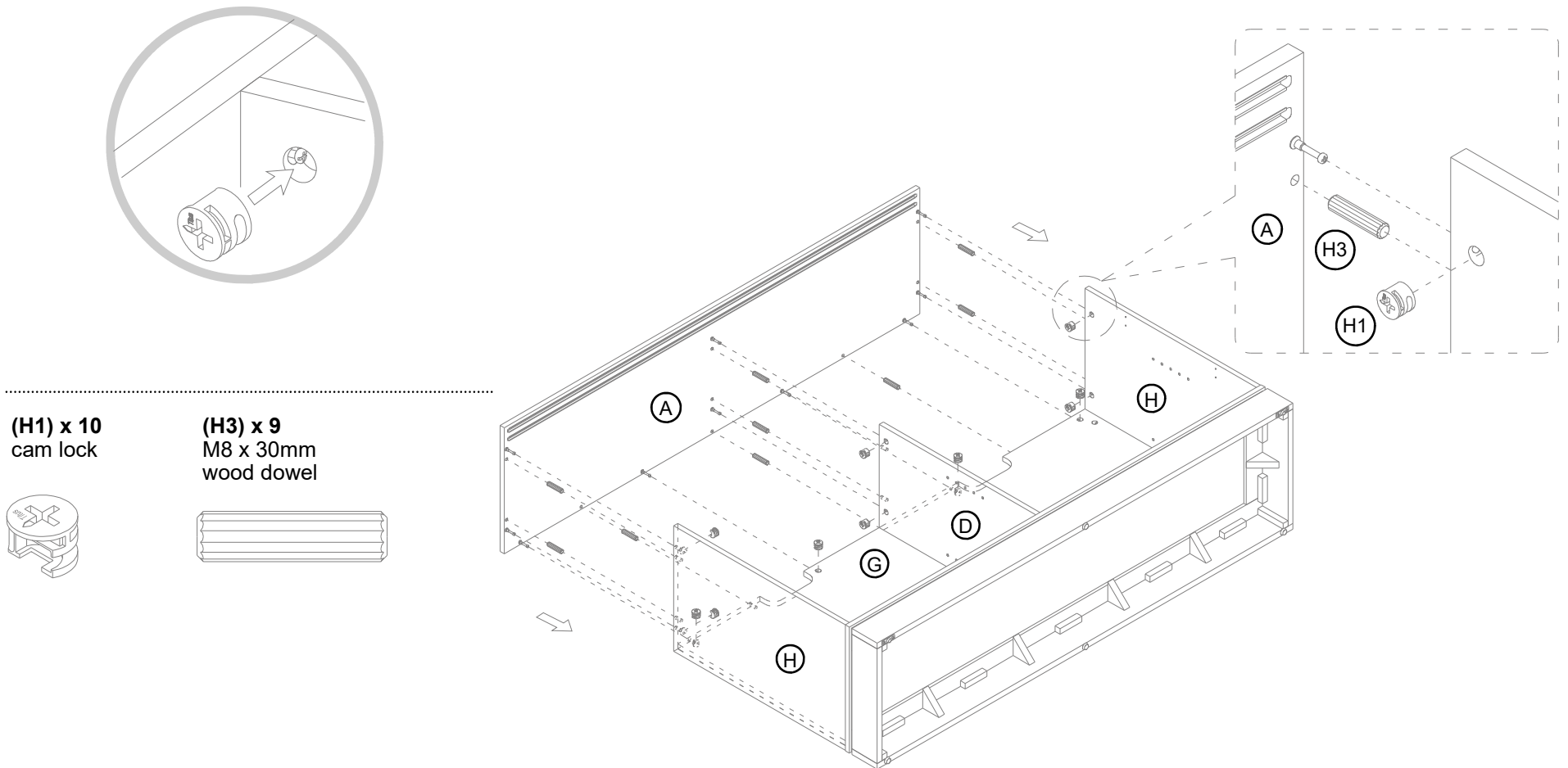
(H1) x 2
cam lock

(H3) x 2
M8 x 30mm
wood dowel

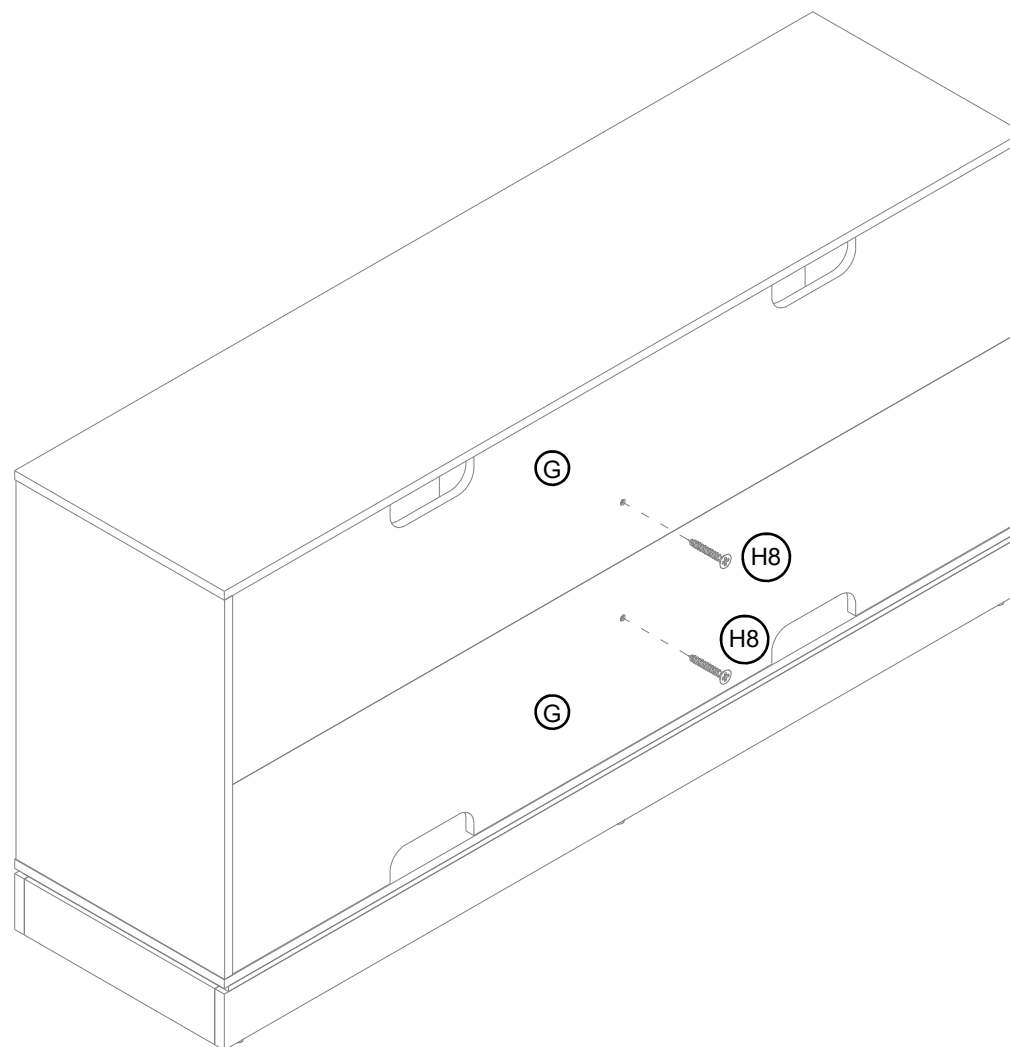


- 4.1. Insert two 30mm wood dowels (H3) into the bottom inner holes of the middle partition (D).
- 4.2. Align and attach the middle partition (D) to the base (C) with two cam locks (H1).

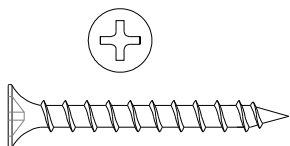
step 5: attach the top panel to the previous assembly



step 6: fasten the back panels

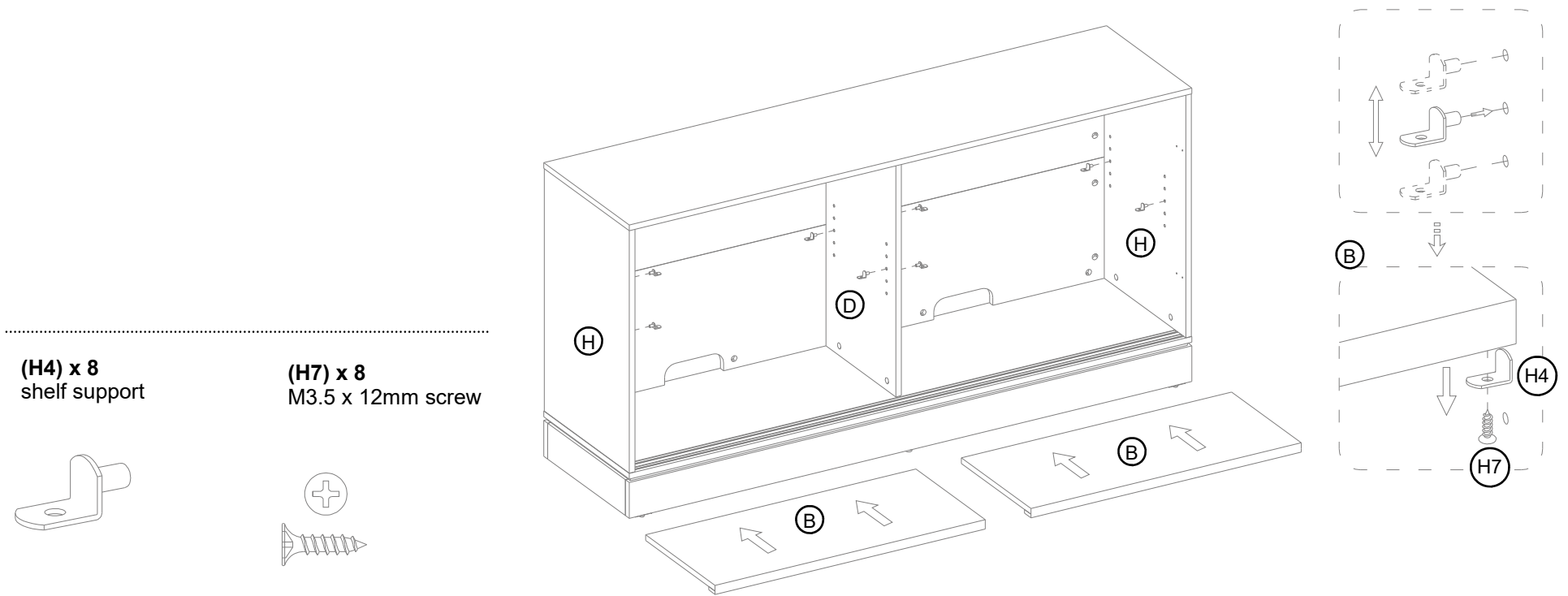


(H8) x 2
M4 x 35mm screw

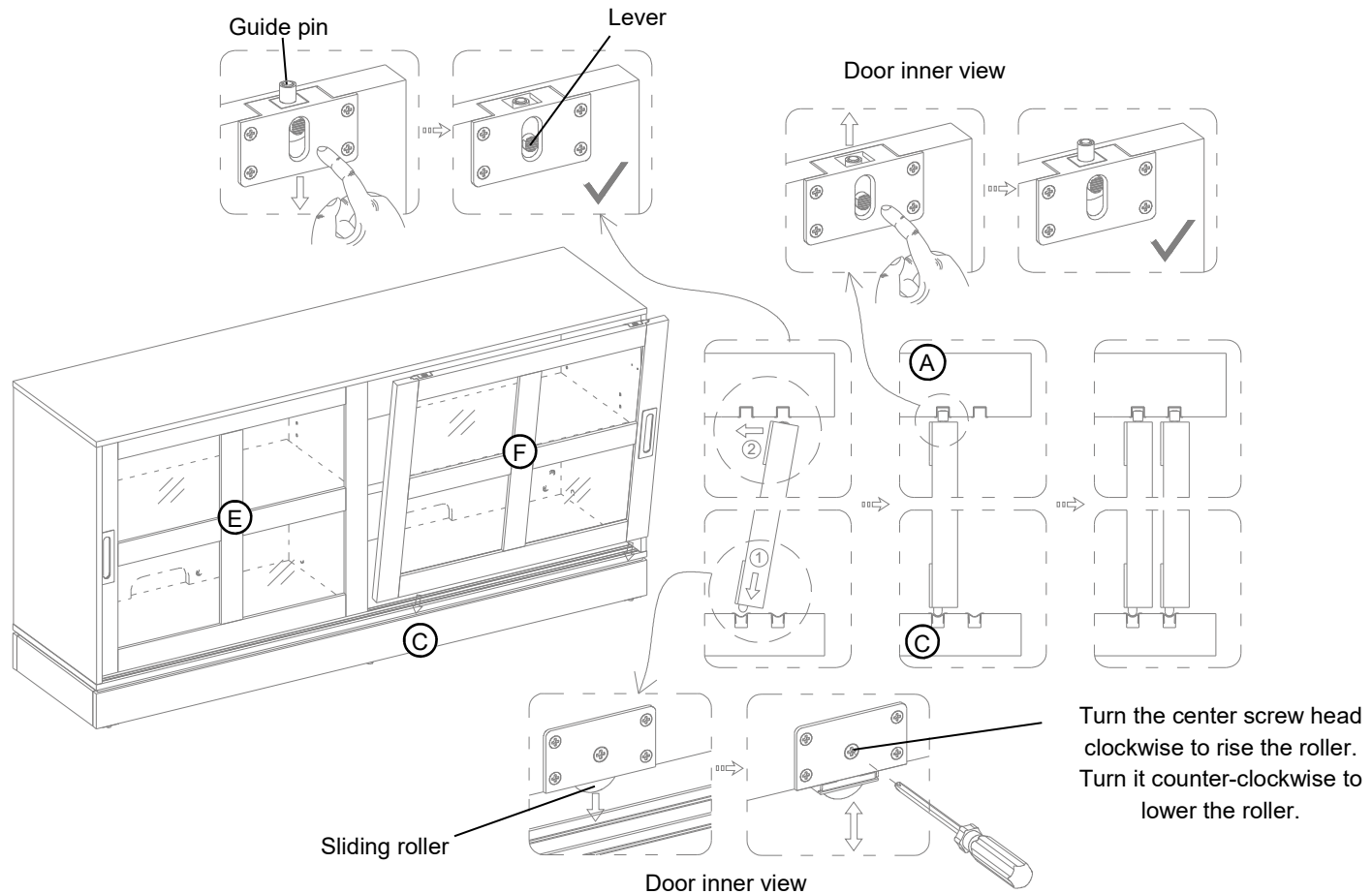


- 6.1. With the help of another adult, stand the unit upright.
- 6.2. Fasten the back panels (G) to the middle partition (D) with two 35mm screws (H8).

step 7: install the adjustable shelf



step 8: install the sliding doors

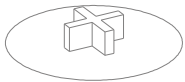


- 8.1. Pick up the left sliding door (E) and rest the bottom sliding rollers onto the roller track on the base (C).
- 8.2. Reach inside to top of door and slide lever down to retract the guide pin.
NOTE: The lever has lip on top edge to pull it forward at the bottom of slot to lock the pin in place.
- 8.3. Line up guide pins with the top guideway and press lever to unlock guide pin and release into the track.
- 8.4. If the guide pins can't slide into the top guideway properly, take a Phillips screwdriver and adjust the center screw head on the back plates of the sliding rollers to correct the top gap.
- 8.5. Repeat above steps to install the right sliding door (F). You need slide inside door to one side to allow access to the other side of the outer door in opening to access slide door lock and release the guide pin. Then slide inner door to opposite side to allow access to other side of outer door in the open case and release the other guide pin.

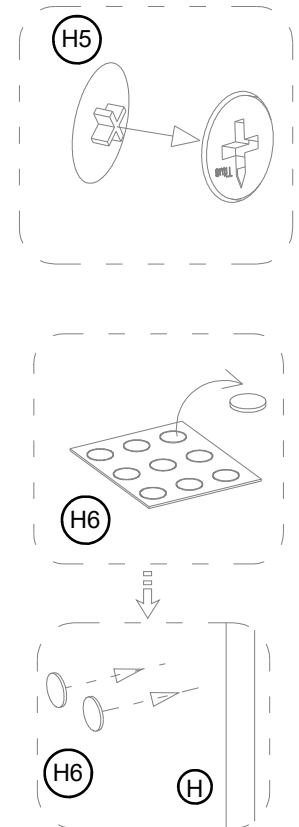
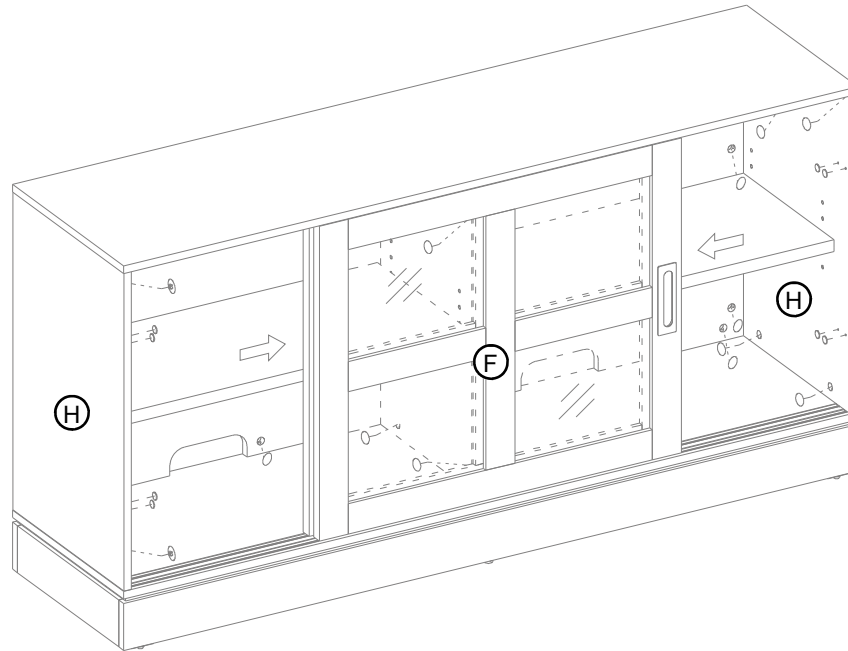
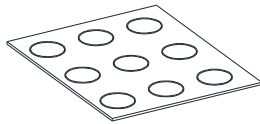
step 9: Install the cam lock covers and rubber bumpers

NOTE: DO NOT slam shut the sliding doors to prevent from damaging and leaving gap.

(H5) x 28
cam lock cover



(H6) x 8+1
rubber bumper



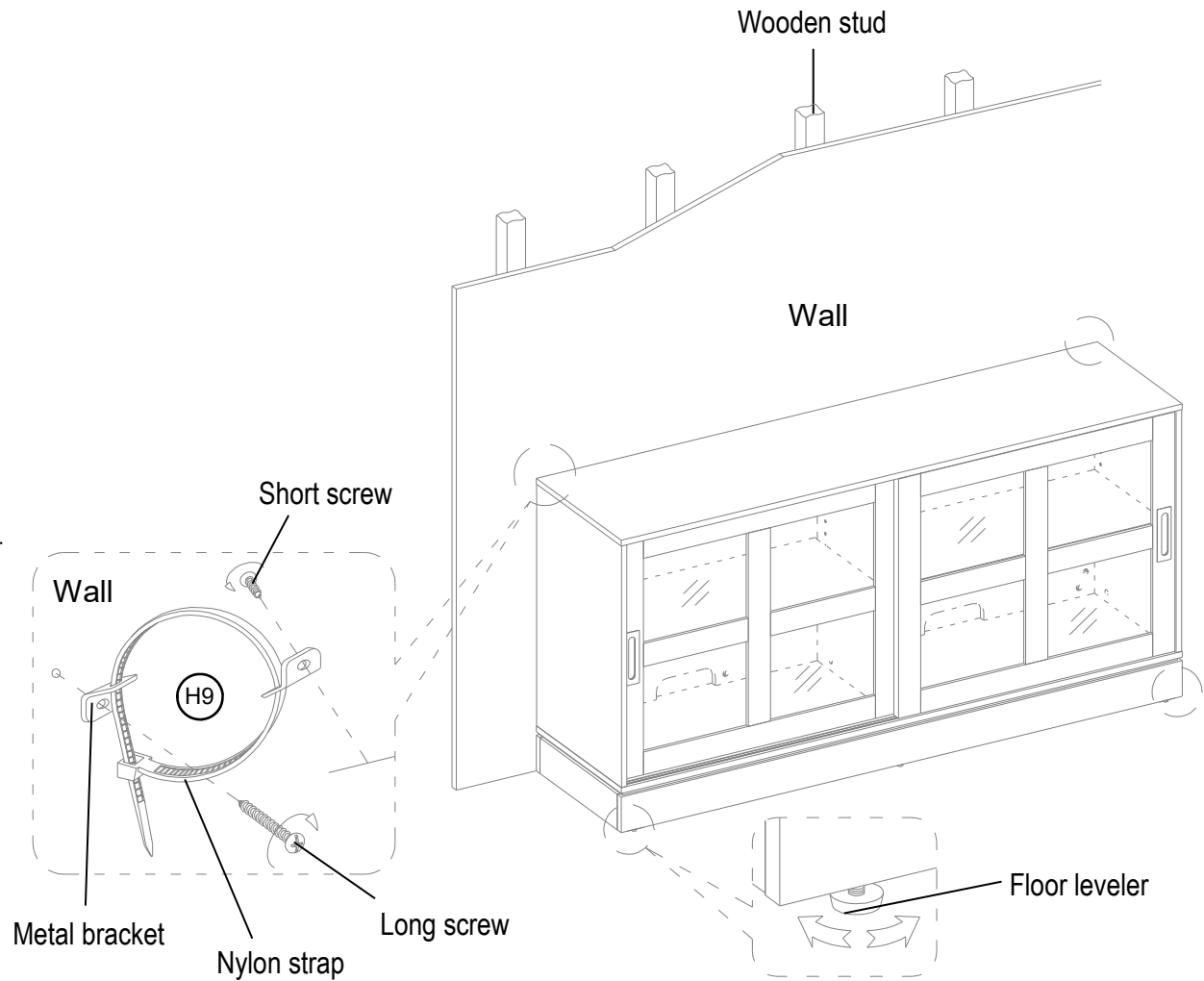
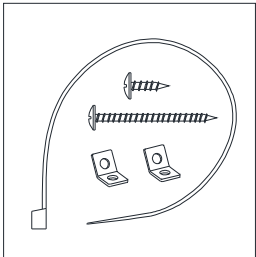
9.1. Plug the cam lock covers (H5) into the visible cam locks to conceal the cams.

9.2. Using the pilot holes as a guide, affix the rubber bumpers (H6) onto each side panel (H) where the sliding doors are in contact with.

step 10: install the tipping restraint hardware kit



(H9) x 2
tipping restraint hardware
kit (inside plastic bag)



Tools required: Phillips screwdriver, stud finder, tape measure, pencil, power drill and 1/8" drill bit (not provided).

10.1. Adjust the pre-attached floor levelers to level the unit against a wall.

10.2. Follow the instructions printed on plastic bag containing tipping restraint hardware to attach tip-over restraint between the unit and wall.

NOTE: You can share the back panel screw hole for the anti-tipping hardware. You must use this tipping restraint to attach this unit to the wall, to prevent accidents and/or injuries.

Care and Maintenance

- Use a soft, clean cloth that will not scratch the surface when dusting.
- Use of furniture polish is not necessary. Should you choose to use polish, test first in an inconspicuous area.
- Using solvents of any kind on your furniture may damage the finish.
- Never use water to clean your furniture as it may cause damage to the finish.
- Always use coasters under beverage glasses and flowerpots.
- Liquid spills should be removed immediately. Using a soft, clean cloth, blot the spill gently. Avoid rubbing.
- Always use protective pads under hot dishes and plates. Heat can cause chemical changes that may create spotting within the furniture finish.
- Stains or marks from crayons or ink markers will be difficult to remove.
- In the event that your furniture is stained or otherwise damaged during use, we recommend that you call a professional to repair your furniture.
- Check bolts/screws and nuts periodically and tighten them if necessary.

Further Advice about Wood Furniture Care

It is best to keep your furniture in a climate-controlled environment. Extreme temperature and humidity changes can cause fading, warping, shrinking and splitting of wood. It is advised to keep furniture away from direct sunlight as sun may damage the finish.

Proper care and cleaning at home will extend the life of your purchase. Following these important and helpful tips will enhance your furniture as it ages.

We hope you enjoy your purchase for many years.
Thank you for your purchase!

QUALITY GUARANTEE

We are confident that you will be delighted with your Whalen Furniture purchase.

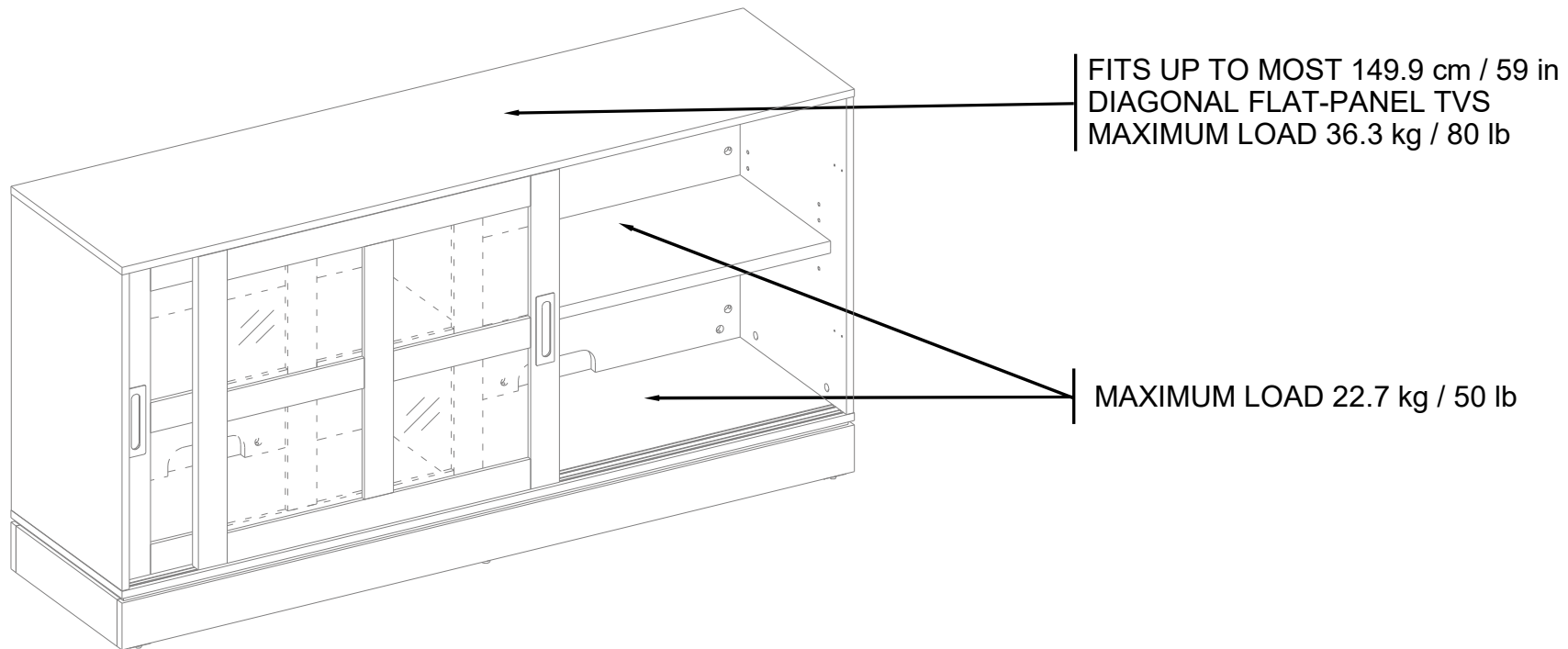
Should this product be defective in workmanship or materials or fail under normal use, we will repair or replace it for up to one (1) year from date of purchase. Every Whalen Furniture product is designed to meet your highest expectations. We guarantee that you will immediately see the value of our fine furniture.

This warranty gives you specific legal rights and you may also have other rights which vary from state to state or province to province.

Customer Service: 1-855-MYTGTHOME (855-698-4846)
8:30 a.m. - 4:30 p.m., PST, Monday to Friday
www.whalenfurniture.com

MAXIMUM RECOMMENDED WEIGHT LOADS

MANUFACTURER: Whalen Furniture Manufacturing
CATALOG: Promontory 60" Sliding Glass Media Stand
MODEL # TGAVC60-19



WARNING

THIS UNIT IS NOT INTENDED FOR USE WITH CRT TVS. USE ONLY WITH FLAT PANEL TVS AND AUDIO/ VIDEO EQUIPMENT MEETING RECOMMENDED SIZE AND WEIGHT LIMITS. NEVER USE WITH LARGER/HEAVIER THAN RECOMMENDED FLAT PANEL TVS OR EQUIPMENT. TO AVOID INSTABILITY, PLACE FLAT PANEL TV IN THE CENTRE OF THE UNIT; THE BASE OF THE TELEVISION MUST BE ABLE TO REST ON THE SUPPORTING SURFACE OF THE UNIT WITHOUT OVER-HANGING THE EDGES. IMPROPERLY POSITIONED FLAT PANEL TVS, OR FLAT PANEL TVS INCLUDING OTHER EQUIPMENT THAT EXCEED RECOMMENDED SIZE AND WEIGHT LIMITS COULD FALL OFF OR BREAK THE UNIT, CAUSING POSSIBLE SERIOUS INJURY. FOR USE WITH TELEVISIONS WEIGHING 80 LBS (36.3 KG) OR LESS. USE WITH HEAVIER TELEVISIONS MAY RESULT IN INSTABILITY CAUSING TIP OVER RESULTING IN DEATH OR SERIOUS INJURY.

The maximum recommended weight allowance is 36.3 kg / 80 lb for top panel.
The maximum recommended weight allowance is 22.7 kg / 50 lb for shelves.

 **WARNING**

Please use your furniture correctly and safely. Improper use can cause safety hazards, or damage to your furniture or household items. Carefully read the following safety information.

This unit is not intended for use with CRT TVs. The top surface maximum weight capacity is 80 lbs. (36.3 kg) and maximum load 59 in. (149.9cm) diagonal flat-panel TV. The shelf maximum recommended weight allowance is 50 lbs. (22.7 kg). Use with heavier televisions may result in instability causing tip over resulting in death or serious injury.

Death or serious injury may occur when children climb on audio and/or video equipment furniture. A remote control or toys placed on the furnishing may encourage a child to climb on the furnishing and as a result may tip over onto the child.

NEVER allow children to climb or play with the TV or furnishing supporting the TV.

NEVER place toys, food, remote, etc. on top of the TV or TV furnishing.

ALWAYS use either the safety hardware as instructed or other wall anchoring device.

Relocating audio and/or video equipment to furniture not specifically designed to support audio and/or video equipment may result in death or serious injury due to furniture collapse or over turning onto a child.

NEVER place a TV on furniture that is not intended to support a TV.

NEVER exceed the maximum size and weight of the TV shown in the instructions.

Be sure to refer to the TV warning label as shown in the instructions.

Overloading drawers and shelves may result in furniture that can break or sag, or tip-over which may result in injury.

NEVER exceed the weight limits shown in the instructions.

Place the heavier items on lower shelves as far back from the front as possible.

Load the bottom surfaces first to avoid top-heavy furniture.

Moving furniture that is not designed to be moved or equipped with casters may result in injury or damage to furnishings or personal property.

ALWAYS unload shelves and drawers, starting with the top surfaces, before moving.

NEVER push or pull furniture on carpet. Have a friend help lift properly to move and/or reposition it.

DO NOT use the unit as a seating surface.

FURNITURE TIPPING RESTRAINT

YOUNG CHILDREN MAY BE INJURED BY TIPPING FURNITURE AND YOU MUST USE THIS TIPPING RESTRAINT TO ATTACH THIS UNIT TO THE WALL, TO PREVENT ACCIDENTS AND/OR INJURIES.

THIS HARDWARE, MUST BE PROPERLY INSTALLED (FOLLOW ALL DIRECTIONS IN ORDER ON THIS INSTRUCTIONS), TO PROVIDE PROTECTION AGAINST THE UNEXPECTED TIPPING OF FURNITURE DUE TO IMPROPER USE.

THIS PRODUCT IS ONLY A DETERRENT. IT IS NOT A SUBSTITUTE FOR PROPER ADULT SUPERVISION. USE OF TIP-OVER RESTRAINTS MAY ONLY REDUCE, BUT NOT ELIMINATE, THE RISK OF TIP-OVER.

WARNING

- Unit must be placed on a level surface or leveled with included hardware (when applicable).
- Do not sit or stand on or allow children to climb, sit or stand on the assembled product.
- For safety reasons, it is imperative that this unit be mounted to the wall.
- Do not use without installing the tip restraint.
- Unit can tip over causing severe injury or death.
- Do not exceed the recommended weight limits.
- Evenly distribute the weight on each level and always keep the heavier loads on the bottom.
- Before cutting, drilling or hammering into any wall or floor surface, verify the location of electrical, plumbing and gas lines. Cutting may cause serious injury.