



THRESHOLD™

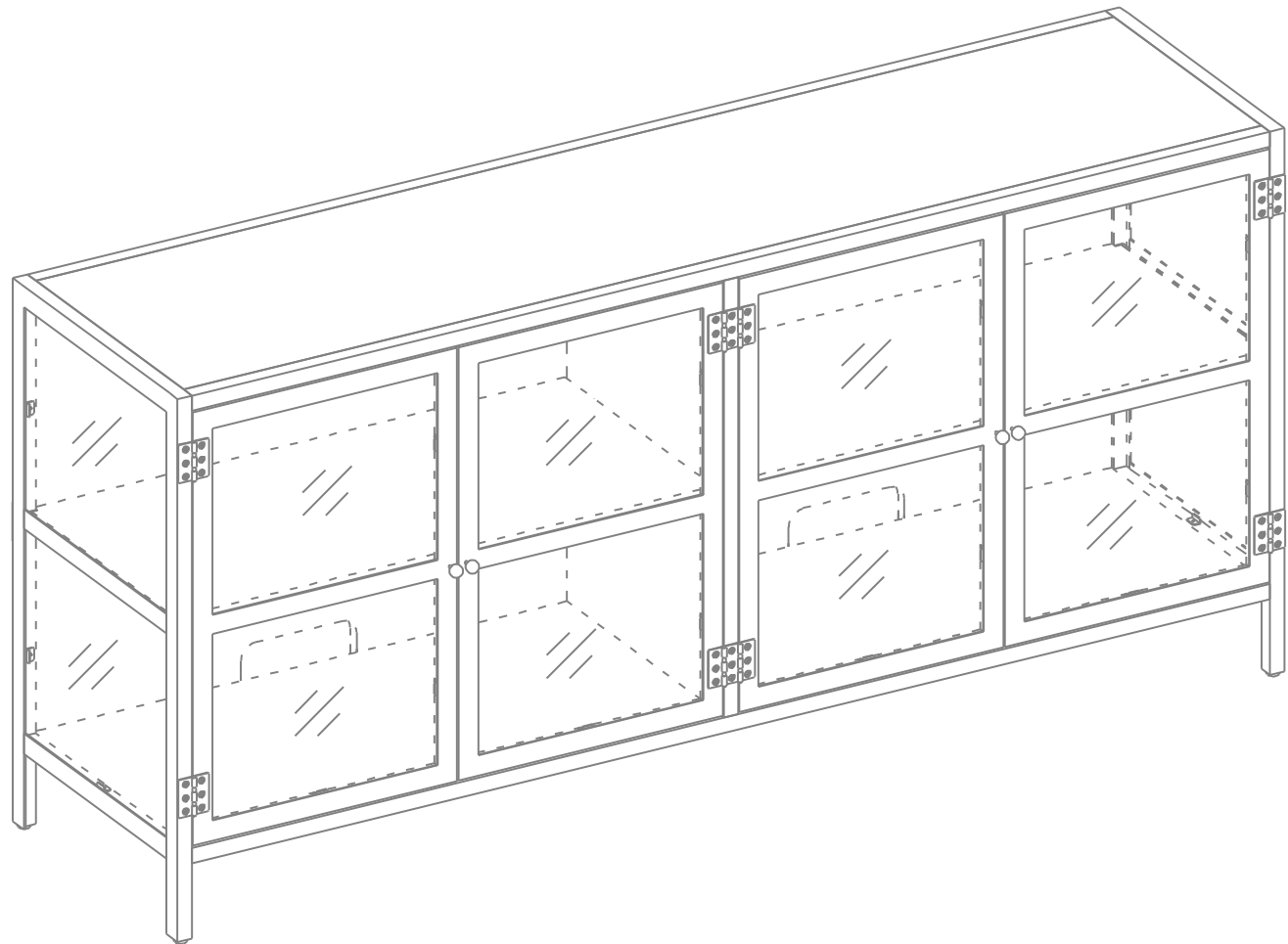
— *designed with* —

STUDIO MCGEE

Crystal Cove Glass Media Stand 60"

Style #: TGAVC60-20

DPC-item #: 249-10-0041



>> [Assembly instructions](#)



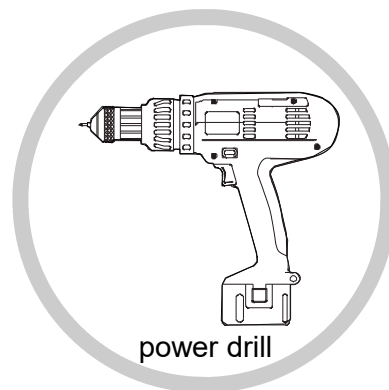
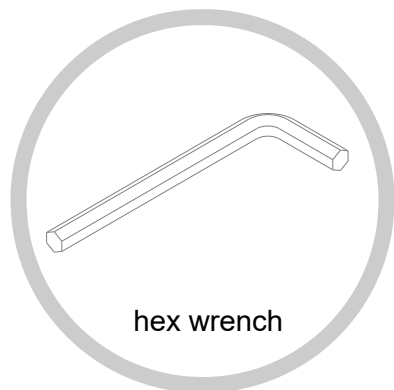
Congratulations on your latest Target purchase.

Now what? Don't start sweating over this box of parts. This will be easy. We did the hard work for you. All you need to do is follow our simple instructions and you'll be on your way to transforming your room in no time. Good luck – though we're confident you won't need it.

before you begin

1. Check for damaged or missing parts. Call 1-855-MYTGTHOME (855-698-4846) to order missing supplies.
2. Use the carton as a work surface to prevent product damage during assembly.
3. Gather all tools prior to assembly.

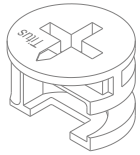
tools needed (only hex wench included)



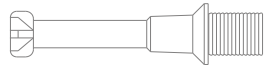
For tipping restraint hardware kit only.

hardware

(H1) x 4
cam lock



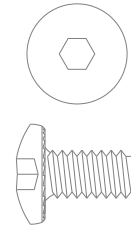
(H2) x 4
cam bolt



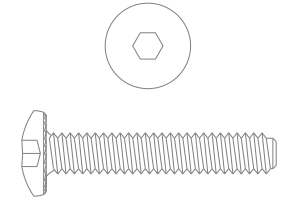
(H3) x 2
M6 x 30 mm wood dowel



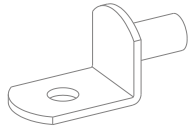
(H4) x 11
1/4" x 12 mm bolt



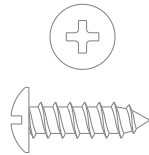
(H5) x 1
1/4" x 35 mm bolt



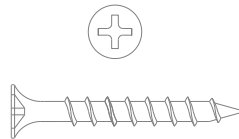
(H6) x 4
shelf support



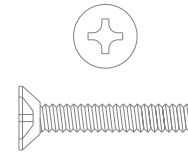
(H7) x 30
M4.5 x 15 mm
pan head screw



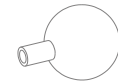
(H8) x 10
M4 x 35 mm
flat head screw



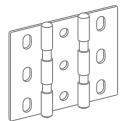
(H9) x 4
5/32" x 25mm
knob bolt



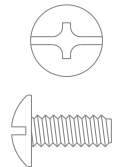
(H10) x 4
knob



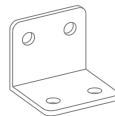
(H11) x 2
butt hinge



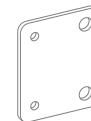
(H12) x 30
M4 x 10mm bolt



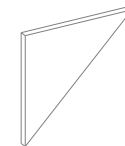
(H13) x 2
L-shaped bracket



(H14) x 2
mending plate

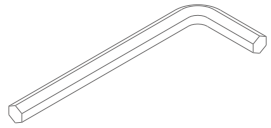


(H15) x 1
try square

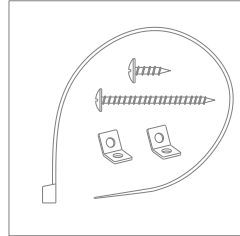


hardware

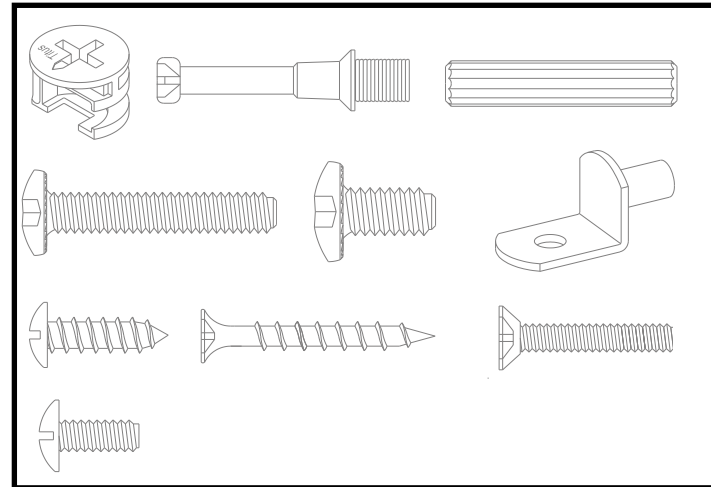
(H16) x 1
hex wrench



(H17) x 2
tipping restraint hardware kit
(inside plastic bag)

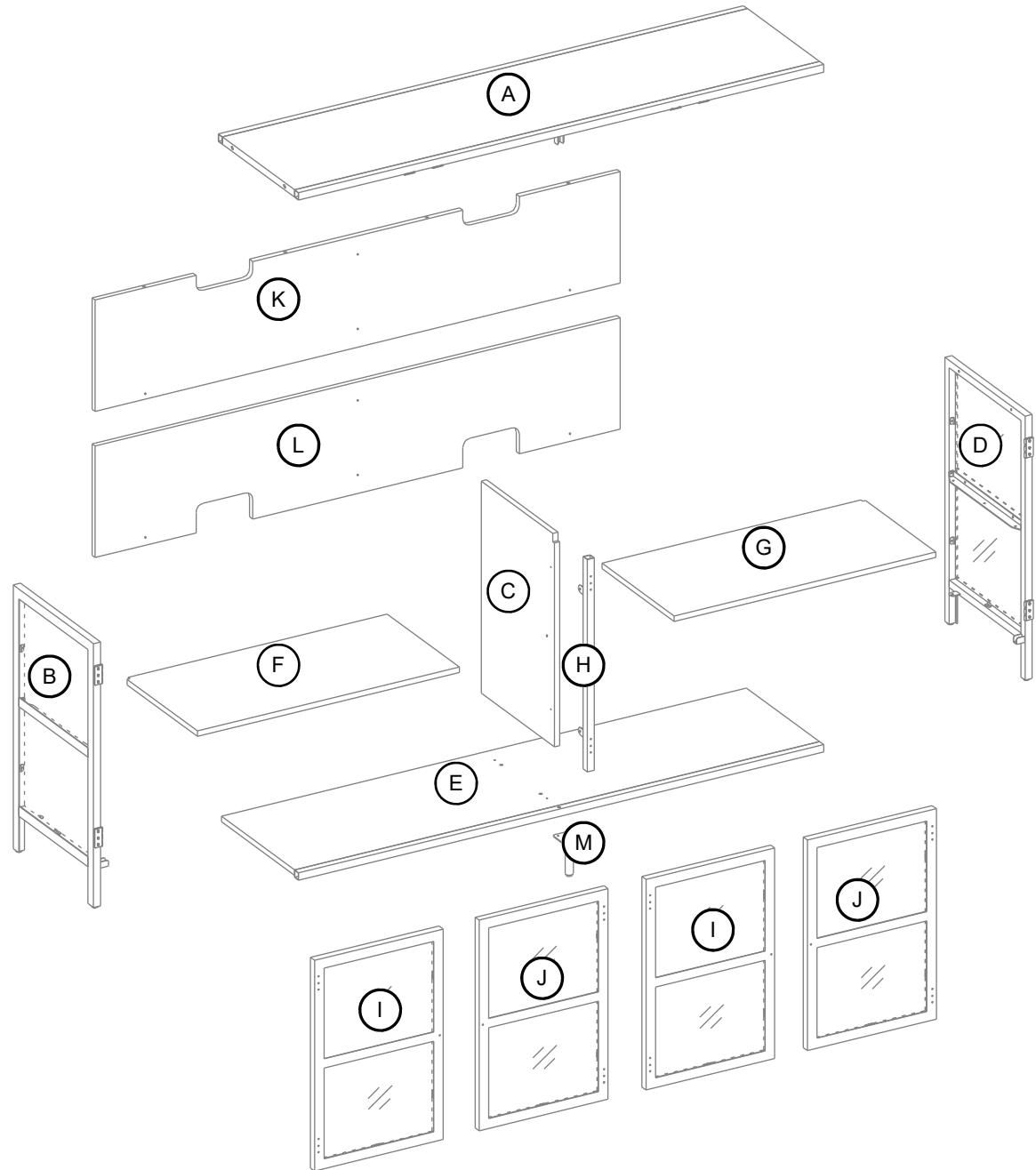


Spare hardware

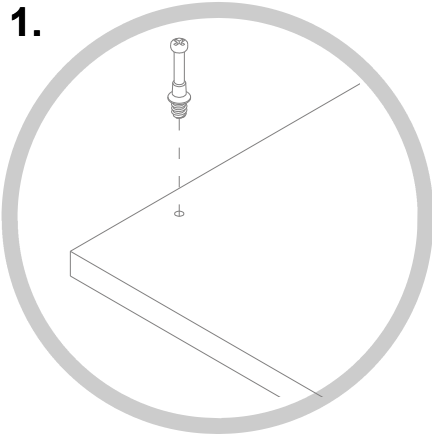


exploded diagram

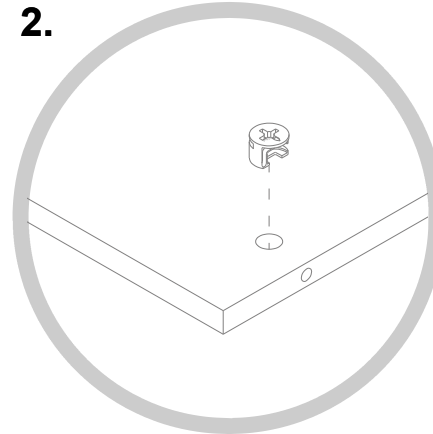
ITEM	DESCRIPTION	QTY
A	Top panel	1
B	Left side frame	1
C	Partition panel	1
D	Right side frame	1
E	Bottom panel	1
F	Left shelf	1
G	Right shelf	1
H	Partition molding	1
I	Left door	2
J	Right door	2
K	Upper back panel	1
L	Lower back panel	1
M	Support foot	1



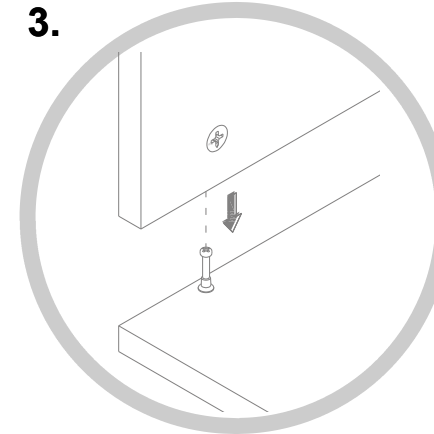
how to use the cam lock system



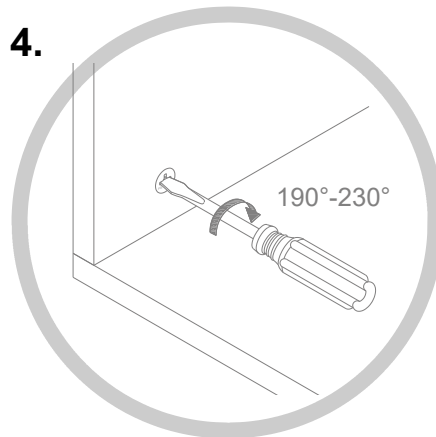
Screw cam bolt into panel



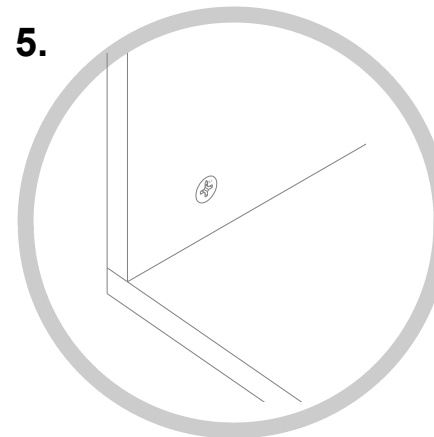
Push cam into panel - arrow feature on cam top points to panel edge



Align cam bolt(s) with cam(s) and insert all the way into cross-bored hole(s)

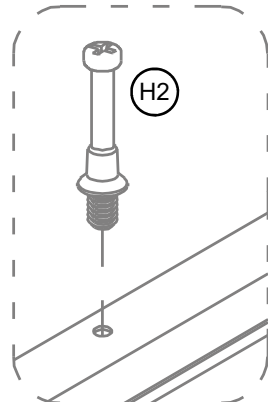
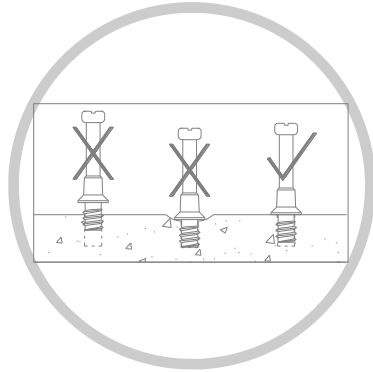


Rotate cam(s) clockwise 190°-230° to lock panels together

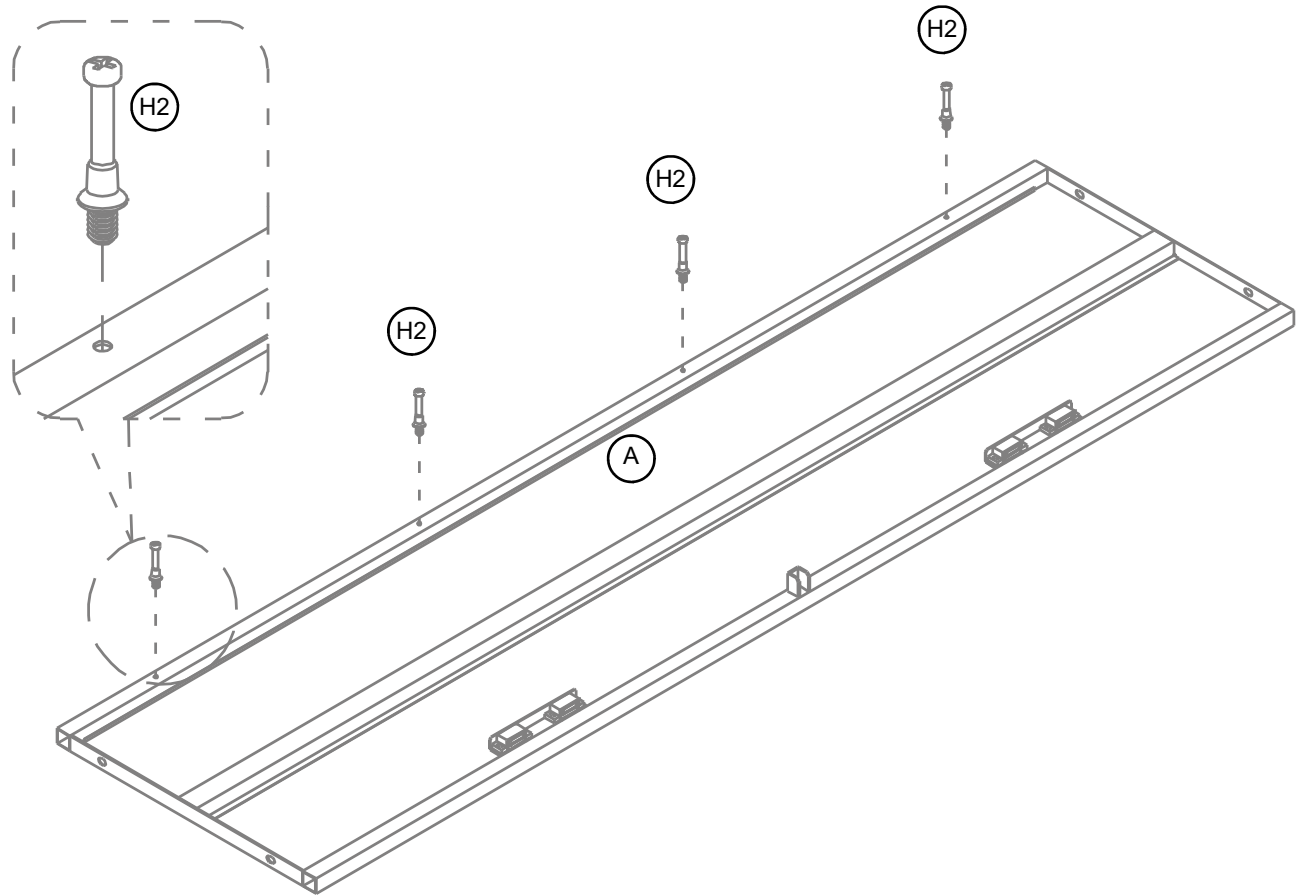
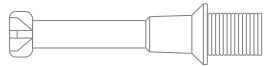


Panels should be tight against each other and connection should be rigid

step 1: prepare top panel assembly



(H2) x 4
cam bolt



1.1. Securely screw four cam bolts (H2) into the designated small holes on the top panel (A).

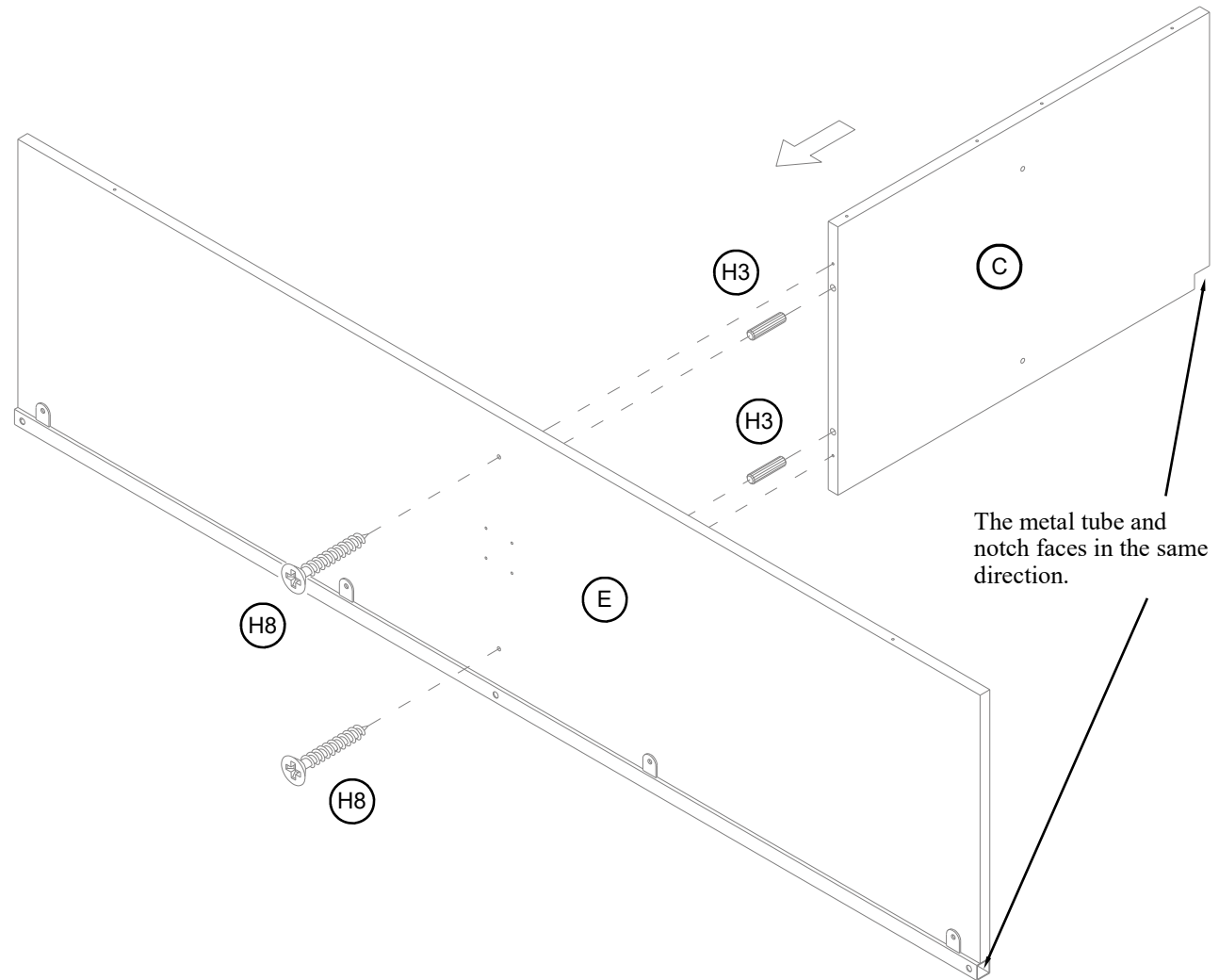
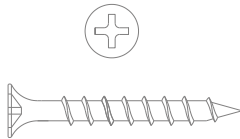
step 2: attach the partition panel

NOTE: DO NOT fully tighten all fasteners until you finish assembling all parts. Once assembled, go back and fully tighten all bolts. This will make the assembly easier.

(H3) x 2
M6 x 30 mm
wood dowel



(H8) x 2
M4 x 35 mm
flat head screw



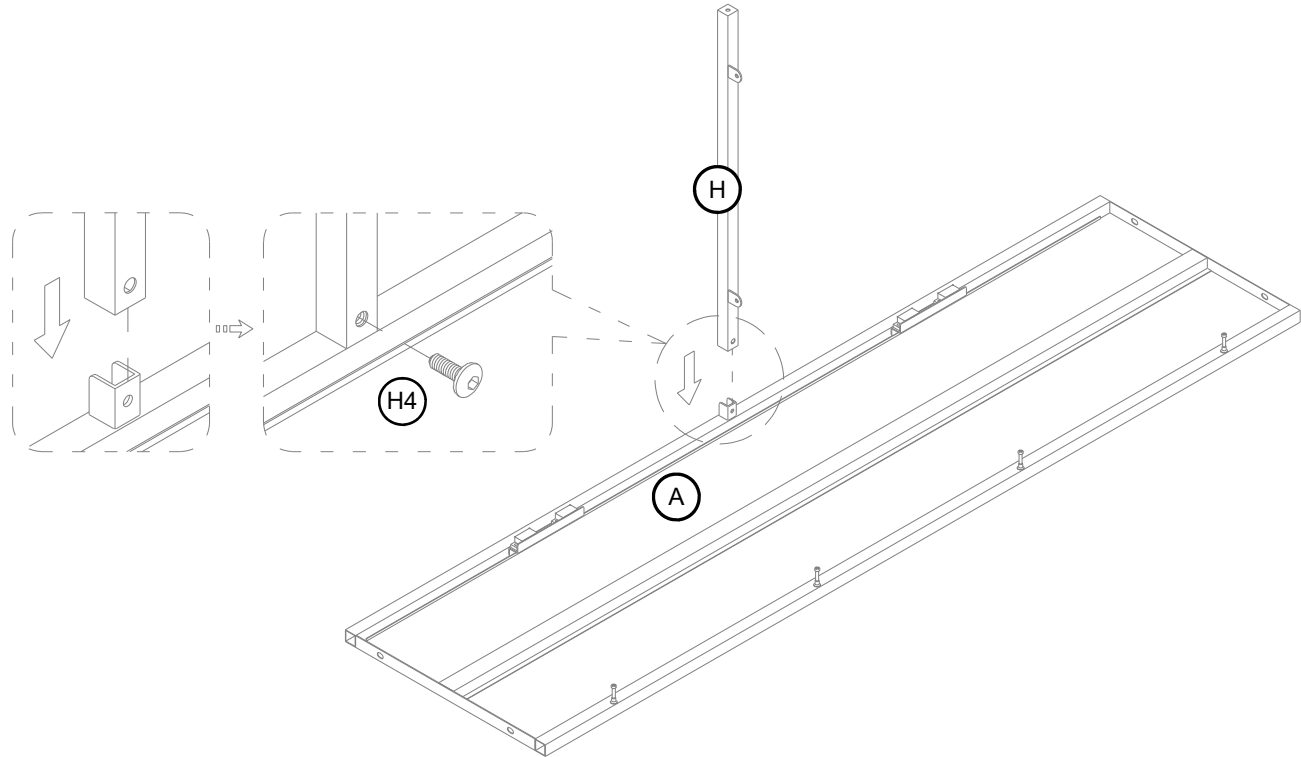
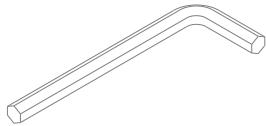
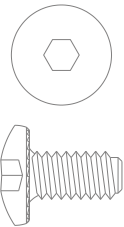
- 2.1. Insert two wood dowels into the inner holes on the partition panel (C).
- 2.2. Align the inserted wood dowels with the large holes on the bottom panel (E) and press them together. Make sure they are oriented correctly.
- 2.3. Insert two 35mm flat head screws (H8) through the holes on the bottom panel (E) and securely screw into the partition panel (C) with a Phillips screwdriver.

step 3: attach the partition molding

NOTE: DO NOT use power tools.

(H4) x 1
1/4" x 12 mm bolt

(H16) x 1
hex wrench

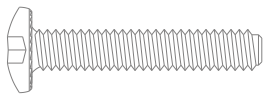


3.1. Orient and fit the partition molding (H) to the U-shaped bracket on the top panel (A).

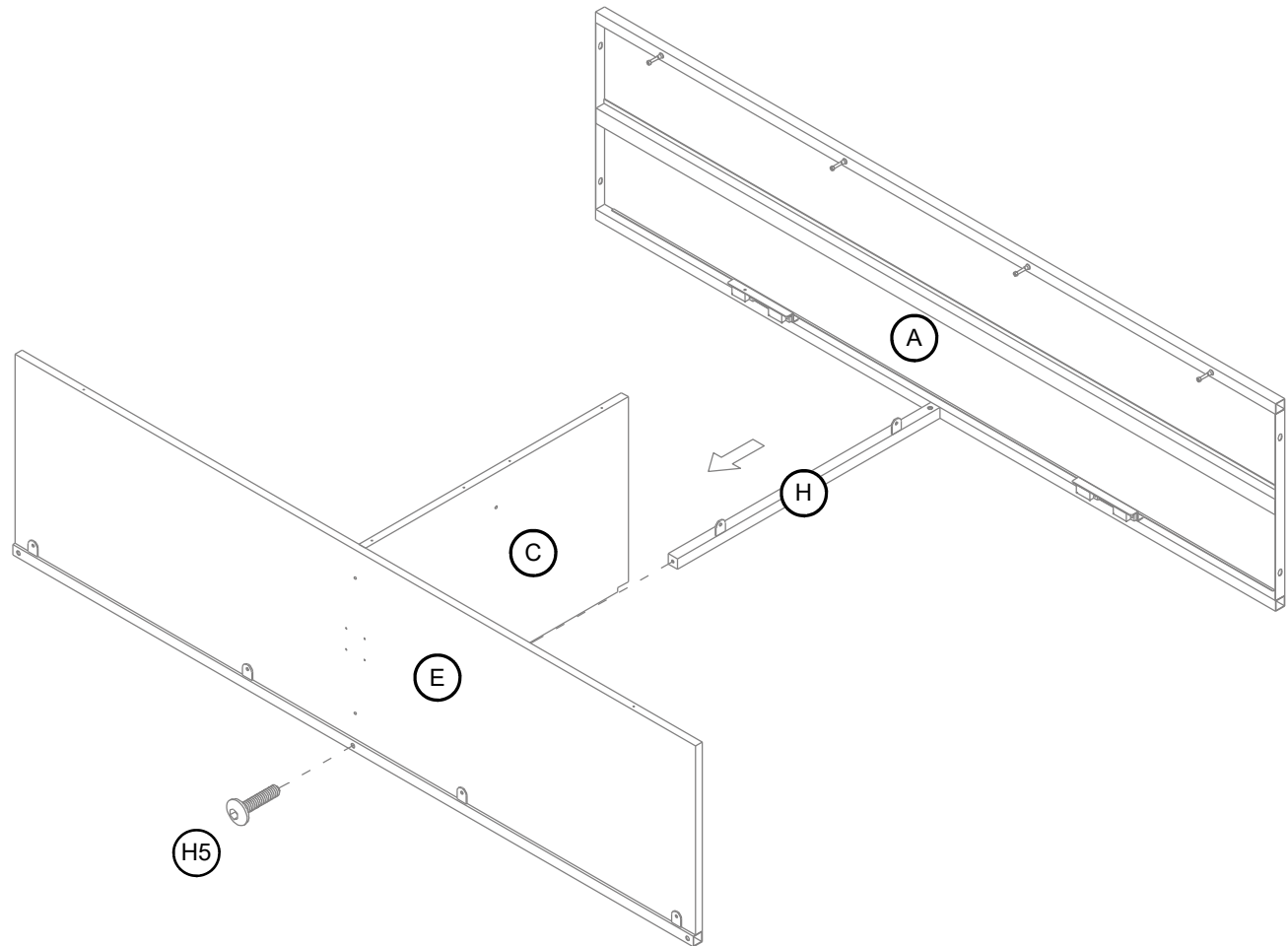
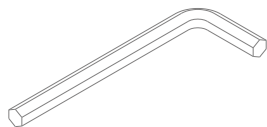
step 4: attach the top panel assembly

NOTE: DO NOT use power tools.

(H5) x 1
1/4" x 35 mm bolt



(H16) x 1
hex wrench



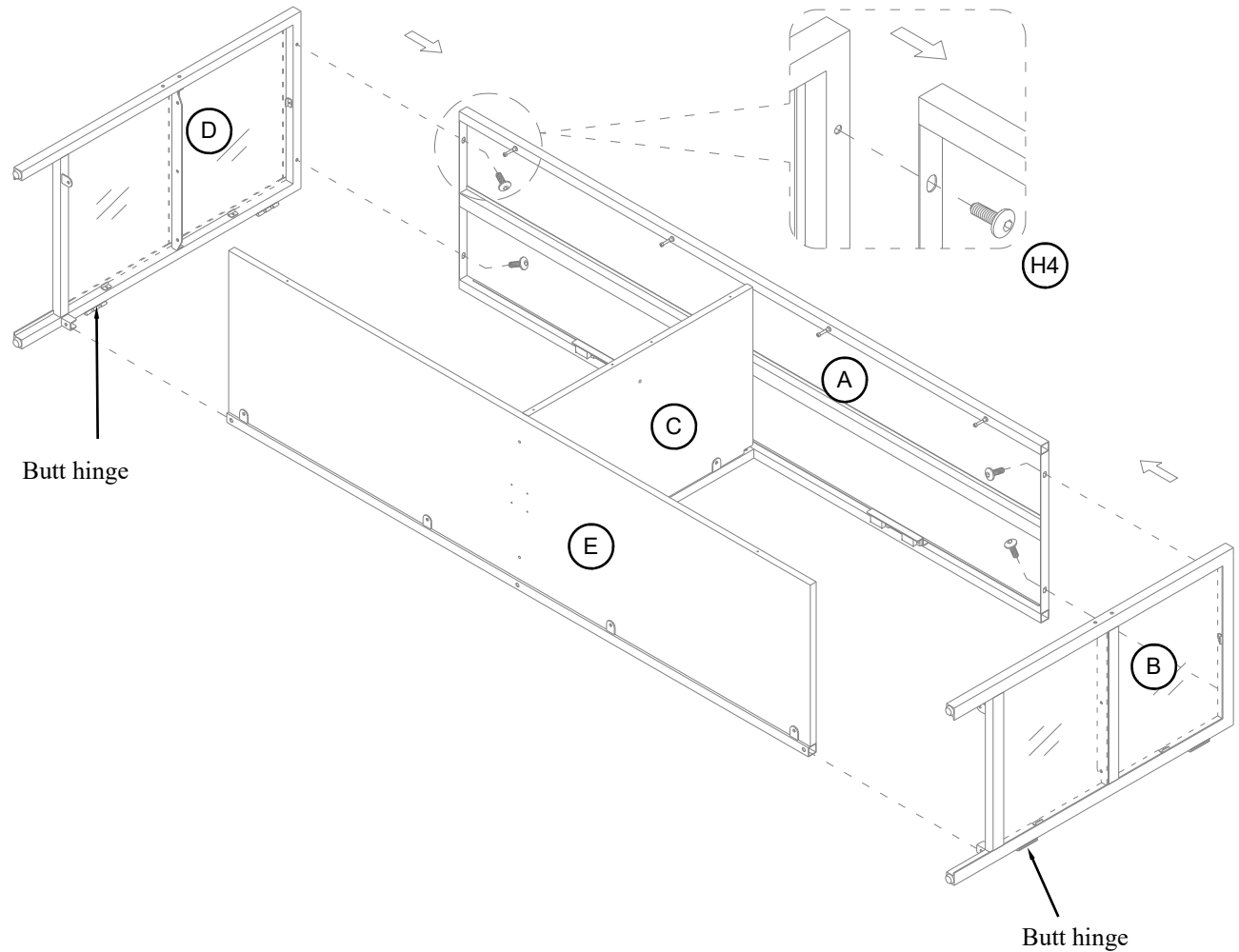
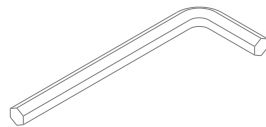
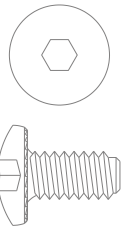
4.1. Fasten the partition molding (H) to the bottom panel (E) with one 35mm bolt (H5). Make sure the metal tabs on the partition molding (H) overlaps the pilot holes on the partition panel (C) .

step 5: attach the side frames

NOTE: DO NOT use power tools.

(H4) x 4
1/4" x 12 mm bolt

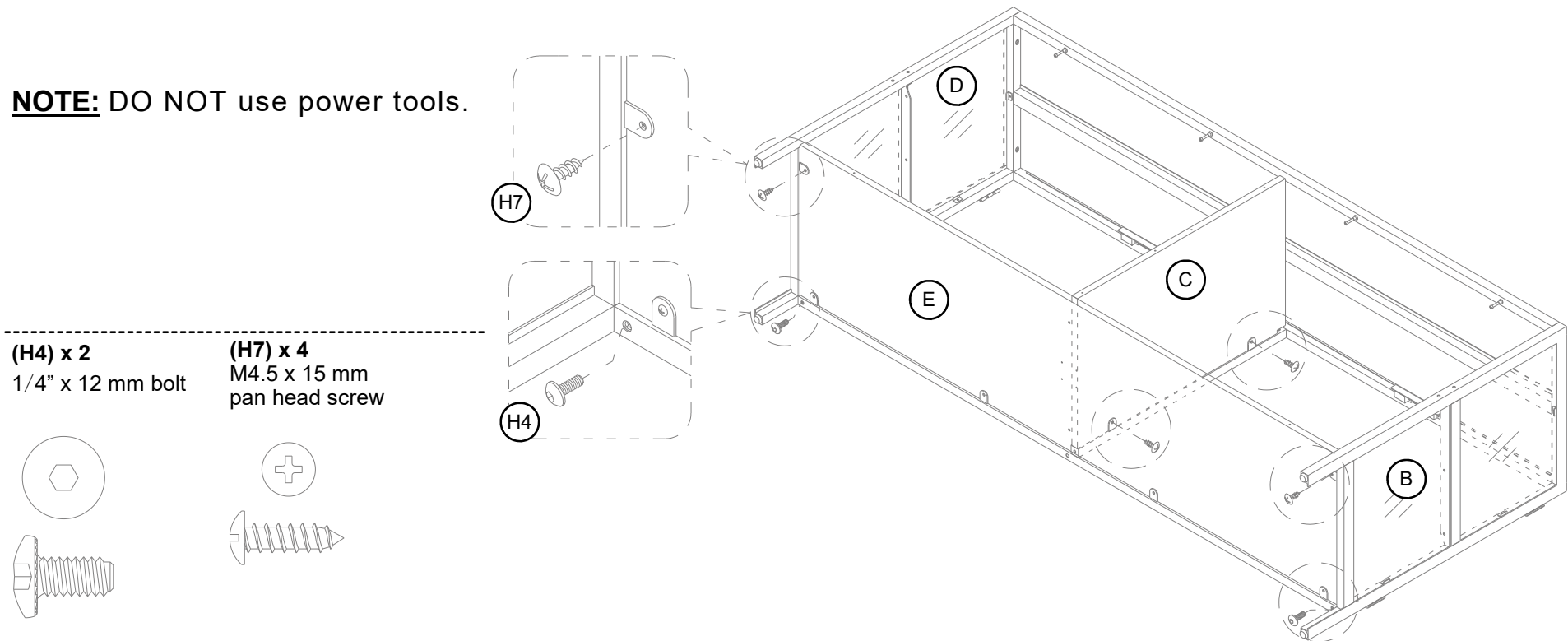
(H16) x 1
hex wrench



- 5.1. Fit the U-shaped bracket on the left side frame (B) to one side of metal tube on the bottom panel (E).
- 5.2. Insert two 12mm bolts (H4) through the mounting holes on the side rail of top panel (A) and screw into the threaded socket on the left side frame (B).
- 5.3. Repeat the same process to attach the right side frame (D) at the opposite end.

step 6: fasten the side frames

NOTE: DO NOT use power tools.

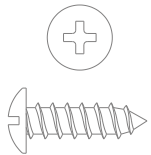


- 6.1. Insert two 1/4" bolts (H4) through the mounting holes on the front rail of bottom panel and screw into the threaded sockets on both side frames (B and D).
- 6.2. Insert two 15mm pan head screws (H7) through the metal tabs on the side frames (B and D) and screw into the bottom panel (E).
- 6.3. Repeat the same process to fasten the partition molding (H) to the partition panel (C).

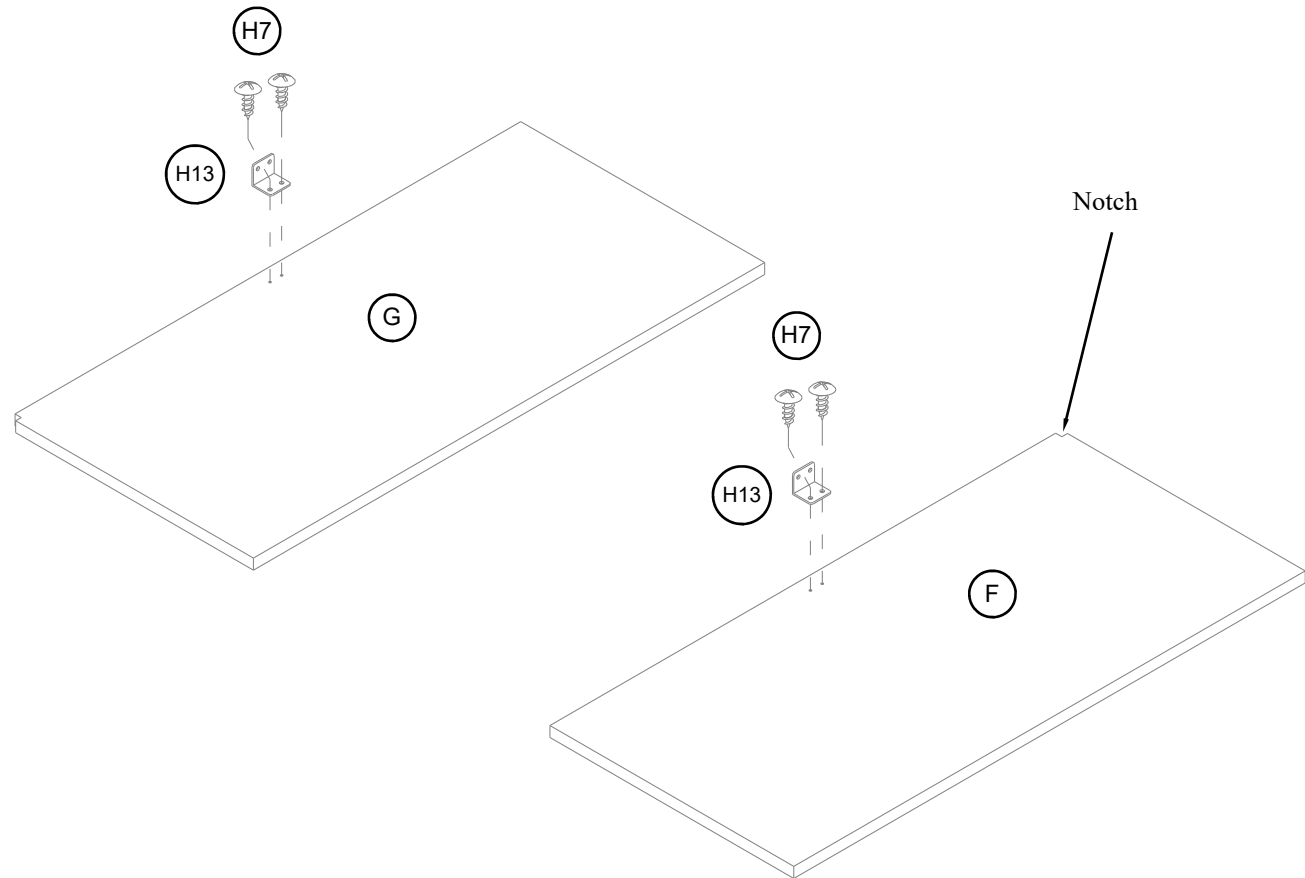
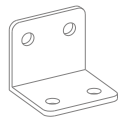
step 7: install the L-shaped bracket

NOTE: DO NOT use power tools.

(H7) x 4
M4.5 x 15 mm
pan head screw



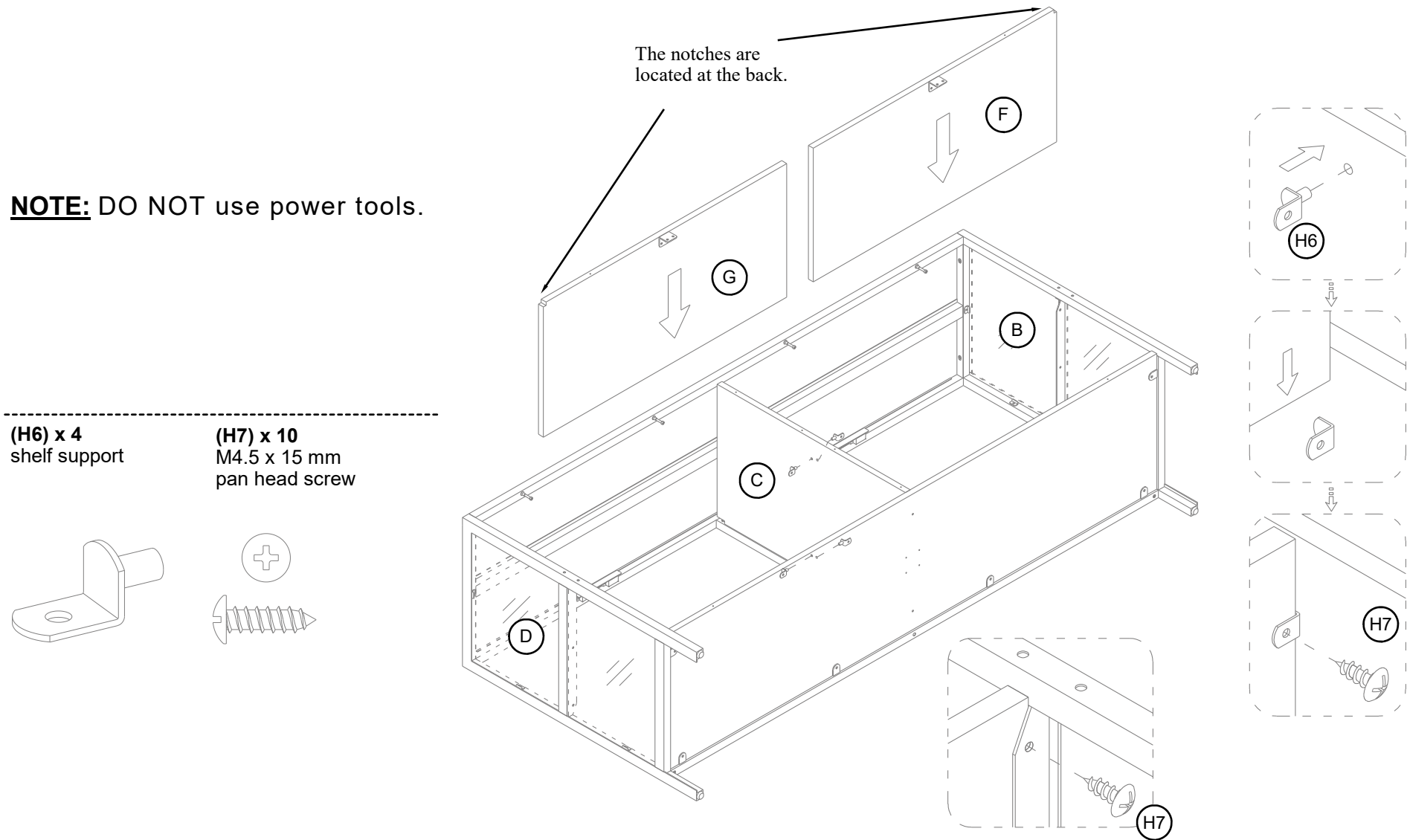
(H13) x 2
L-shaped bracket



7.1. Using the pilot holes as a guide, fasten one L-shaped bracket (H13) to each shelf (F and G) with two 15mm pan head screws (H7). Make sure the right angle is flush with the edge with notch.

step 8: attach the shelves

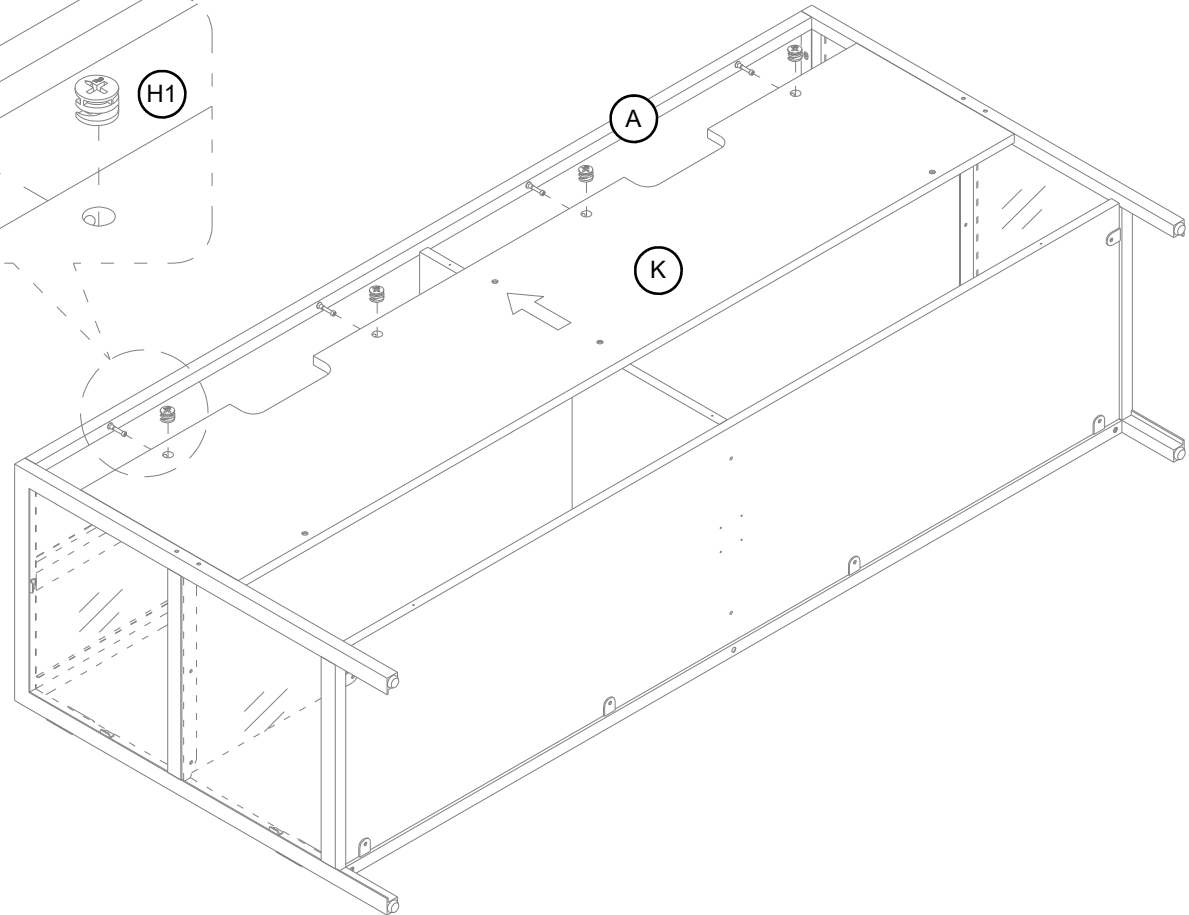
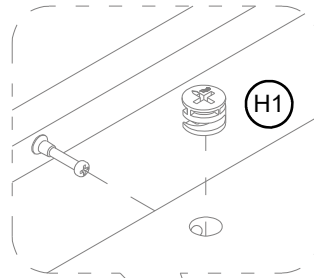
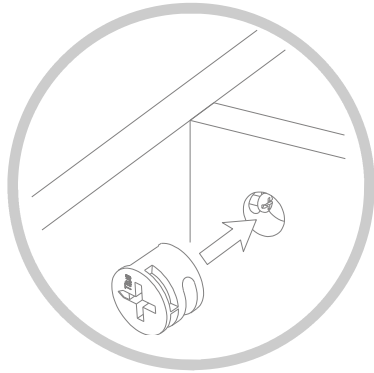
NOTE: DO NOT use power tools.



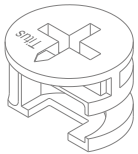
8.1. Insert two shelf supports (H6) into the pilot holes on each side of partition panel (C).

8.2. Tilt and rest the shelves (F and G) onto the shelf supports (H6) and middle rails of side frames (B and D). Fasten them into place with the 15mm pan head screws (H7).

step 9: attach the upper back panel

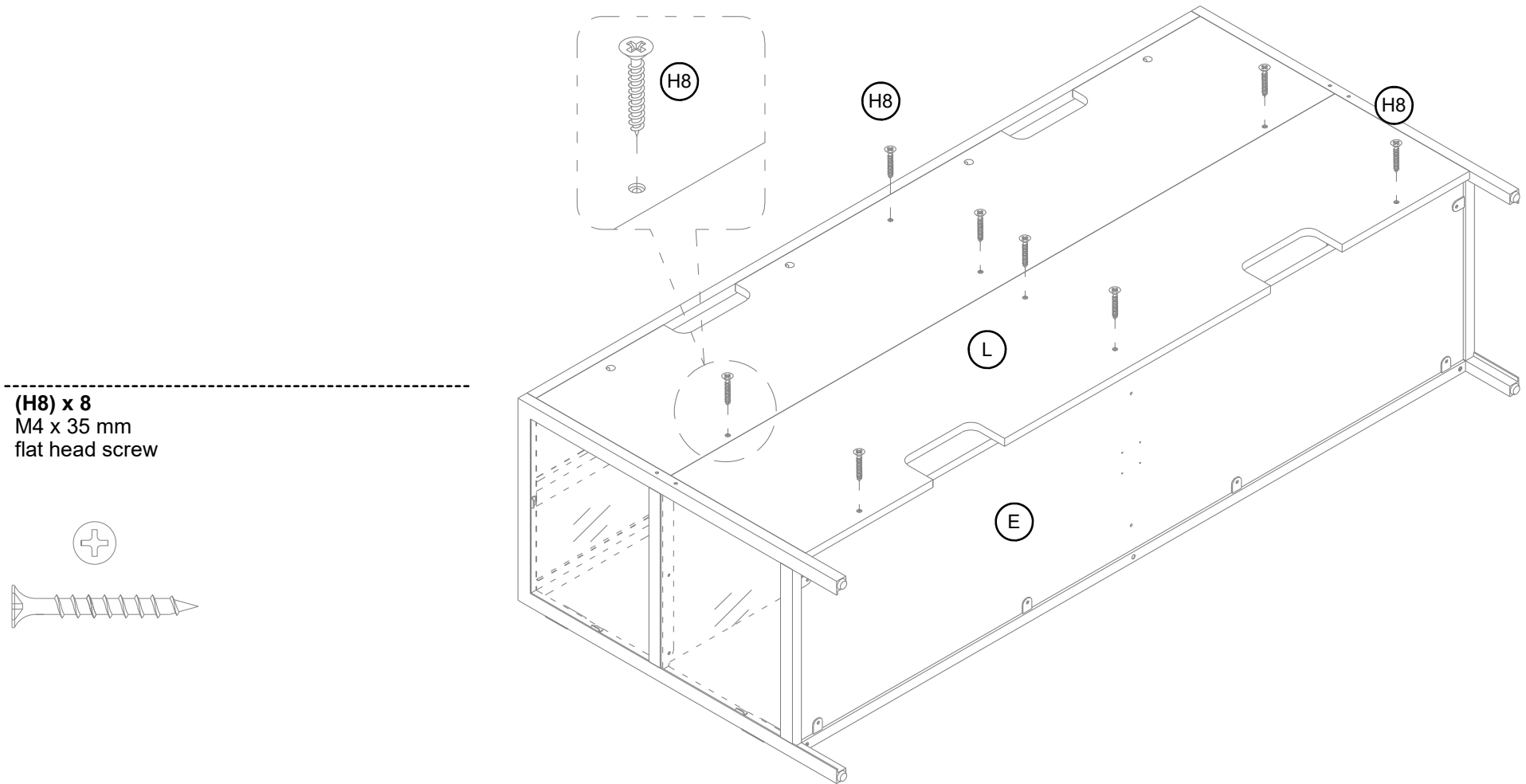


(H1) x 4
cam lock



9.1. Attach the upper back panel (K) to the top panel (A) by engaging four cam locks (H1).

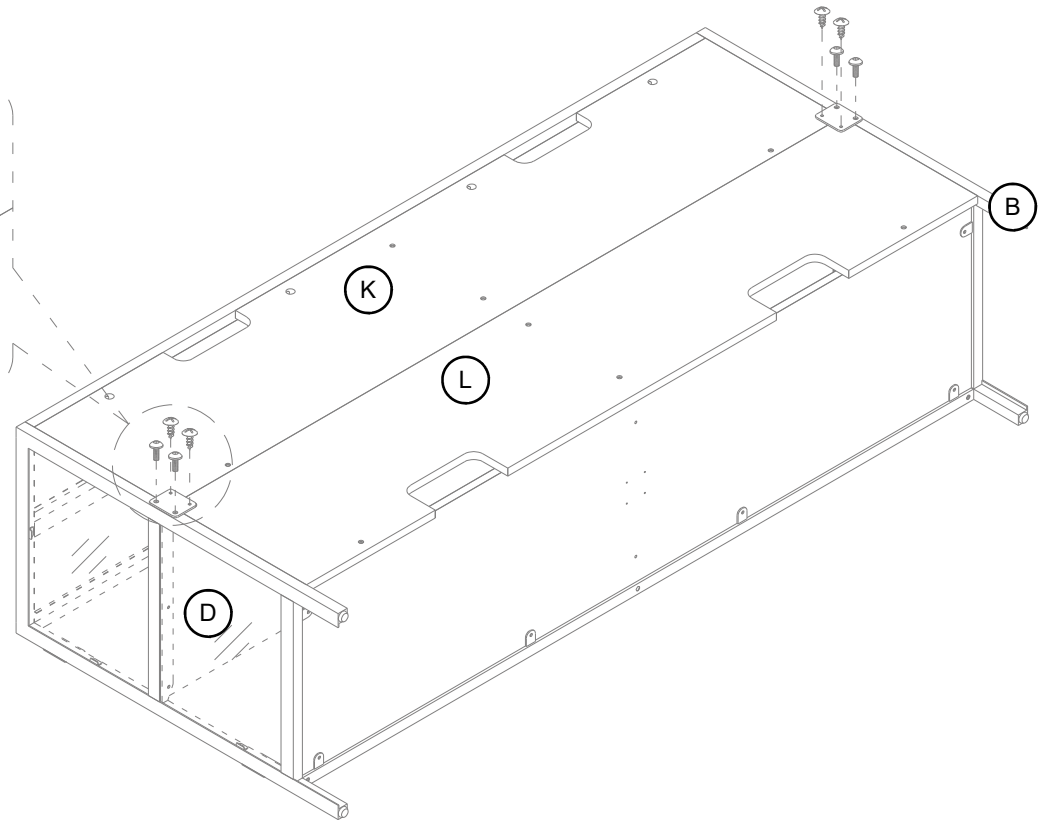
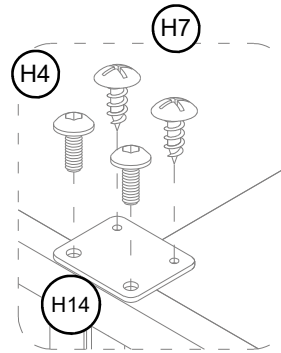
step 10: attach the lower back panel



10.1. Insert eight 35mm flat head screws (H8) through the drilled holes on the back panels (K and L) and screw into place.

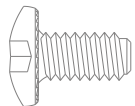
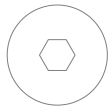
step 11: install the mending plates

NOTE: DO NOT use power tools.

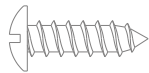


(H4) x 4
1/4" x 12 mm bolt

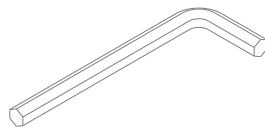
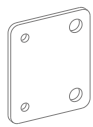
(H7) x 4
M4.5 x 15 mm
pan head screw



(H14) x 2
mending plate



(H15) x 1
hex wrench

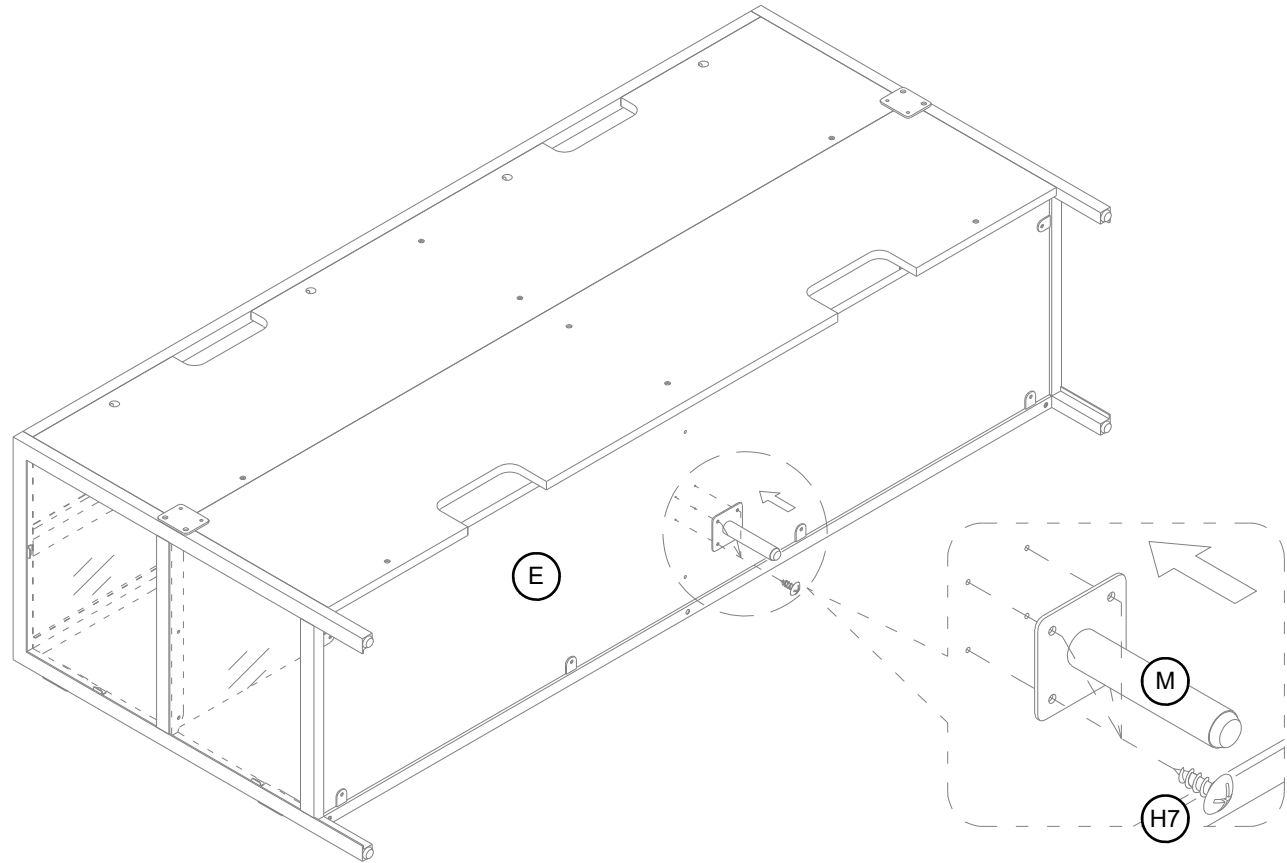
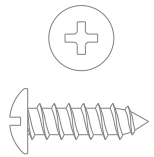


- 11.1. Fasten two mending plates (H14) to the threaded sockets on the side frames (B and D) using two 12mm bolts (H4) per plate.
- 11.2. Continue to fasten the mending plates to the back panels (K and L) with four 15mm pan head screws (H7).

step 12: install the support foot

NOTE: DO NOT use power tools.

(H7) x 4
M4.5 x 15 mm
pan head screw



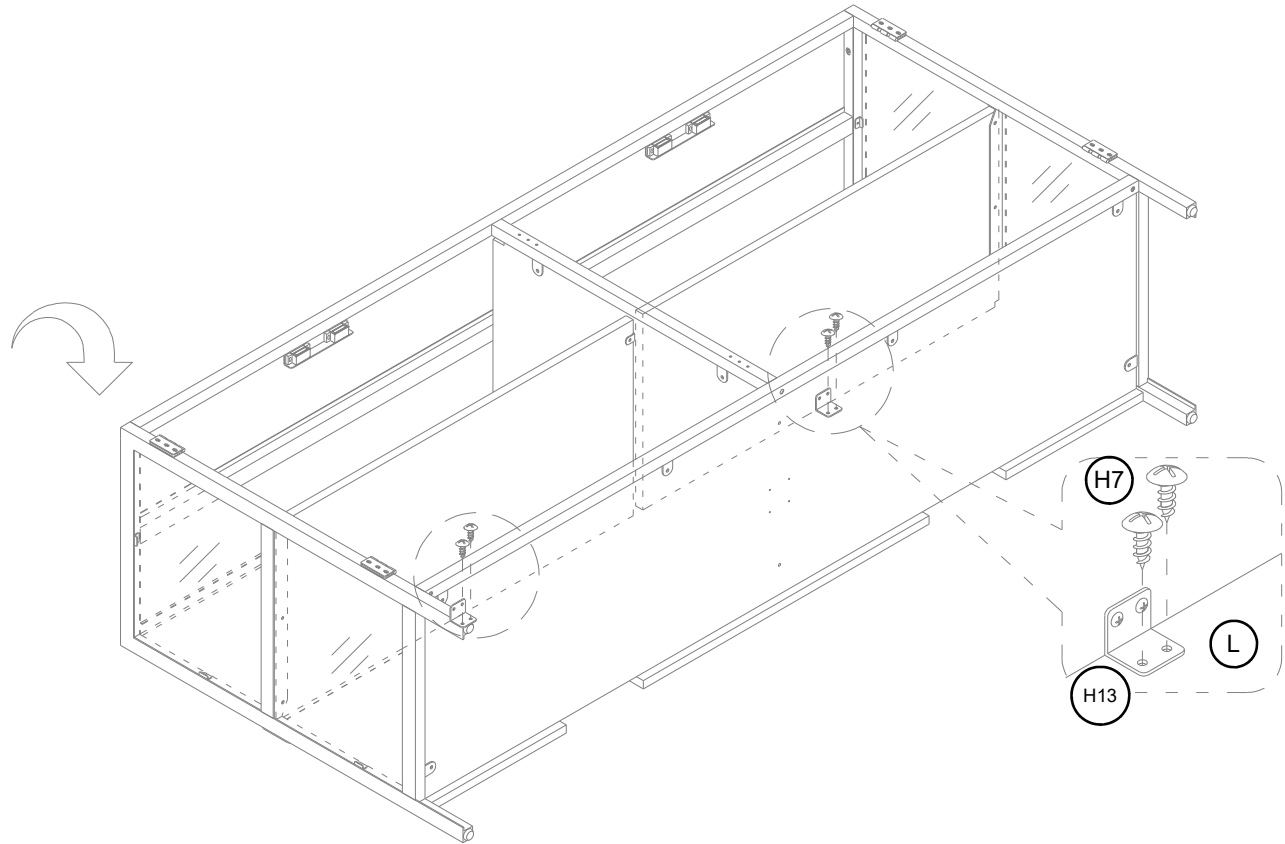
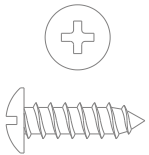
12.1. Align the support foot (M) to the pilot holes on the bottom panel (E) and fasten it into place with four 15mm pan head screws (H7).

step 13: Tighten the L-shaped bracket



CAUTION: You may need assistance with this step.

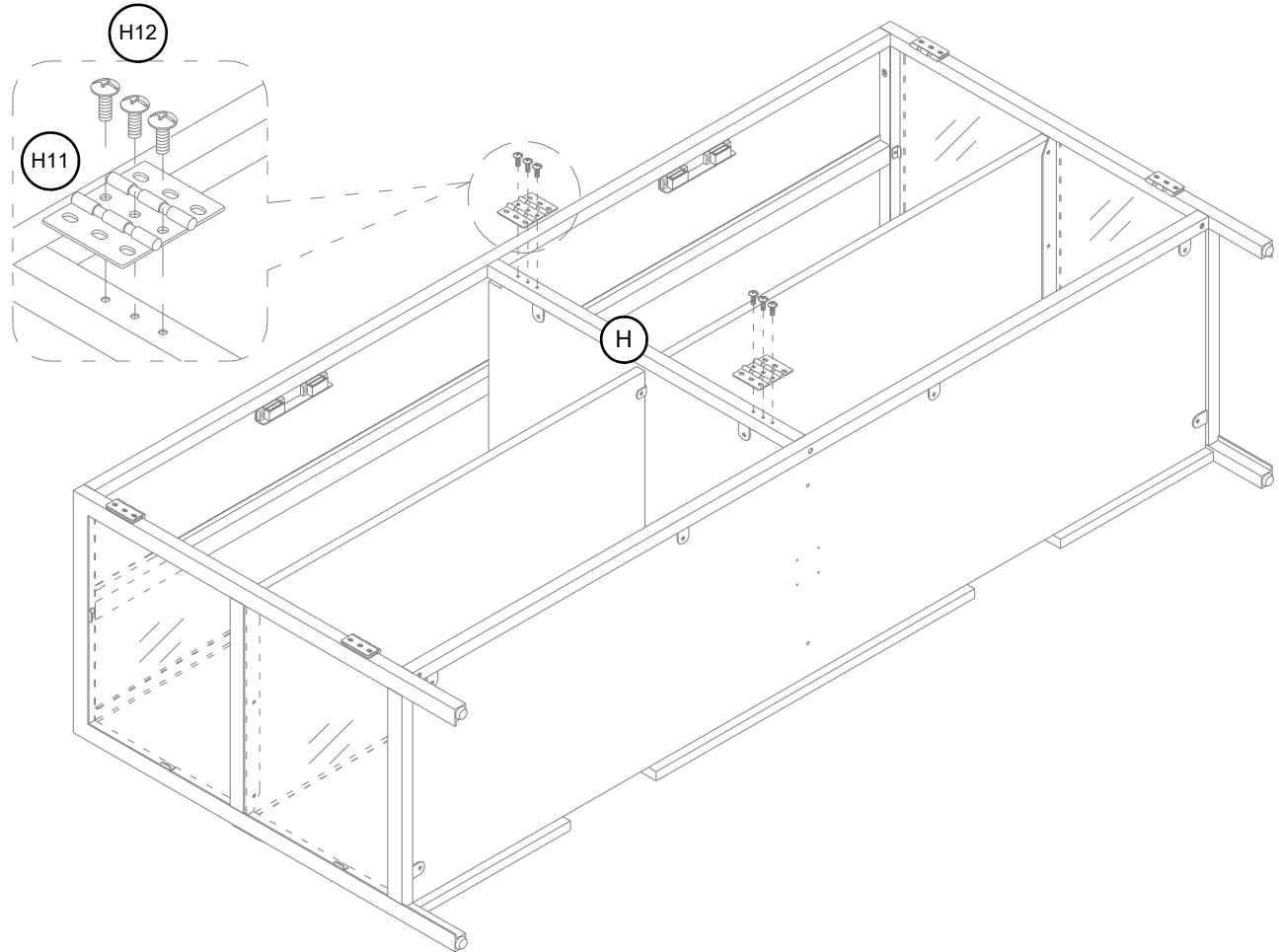
(H7) x 4
M4.5 x 15 mm
pan head screw



- 13.1. Ask for assistance to turn the assembled unit at its back edges.
- 13.2. Fasten the L-shaped bracket (H13) to the lower back panel (L) using four 15mm pan head screws (H7).

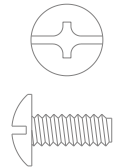
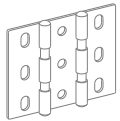
step 14: install the butt hinge

NOTE: DO NOT use power tools.



(H11) x 2
butt hinge

(H12) x 6
M4 x 10mm bolt



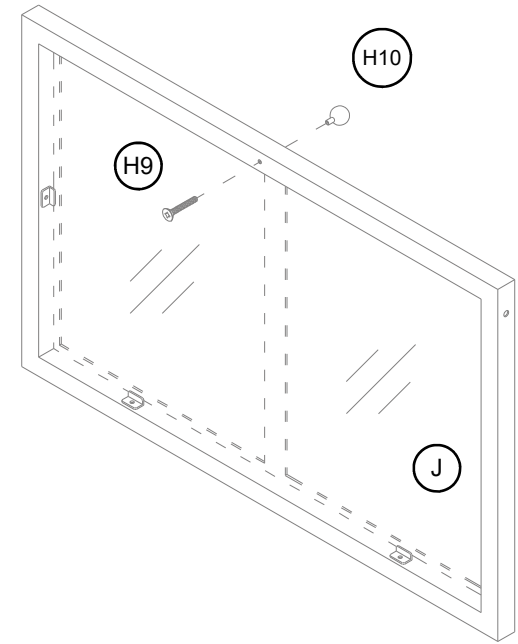
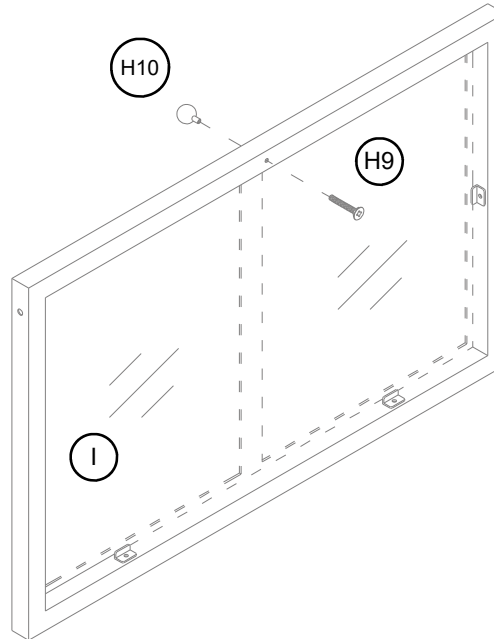
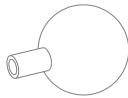
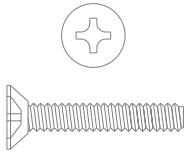
14.1. Install two butt hinges (H11) to the partition molding (H) with six 10mm bolts (H12).

step 15: install the knobs

NOTE: DO NOT use power tools.

(H9) x 4
5/32" x 25mm
knob bolt

(H10) x 4
knob



x 2

15.1. Install one knob to the front side of each door (I and J) as shown.

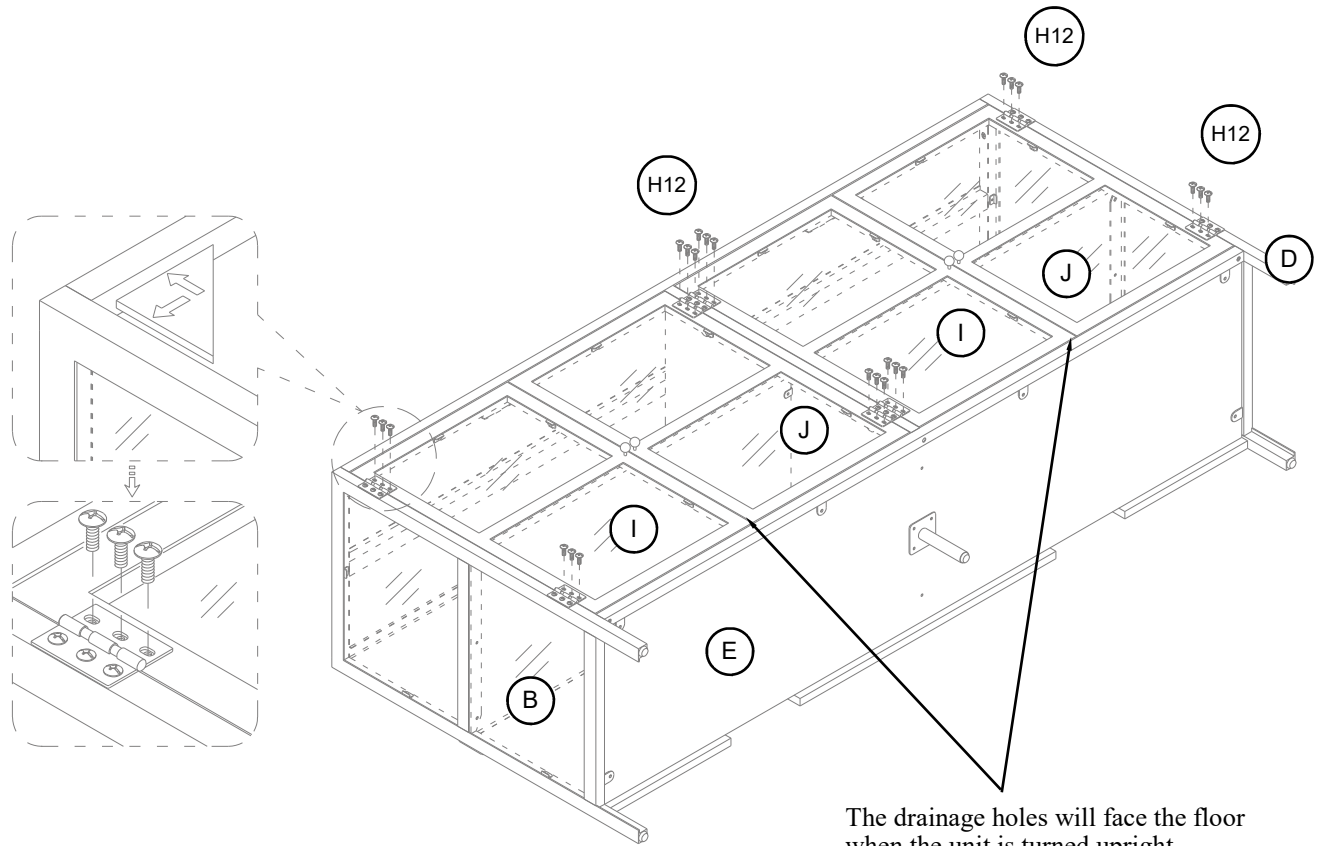
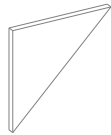
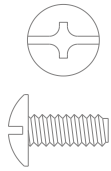
step 16: install the doors



CAUTION: You may need assistance with this step.

(H12) x 24
M4 x 10mm bolt

(H15) x 1
try square

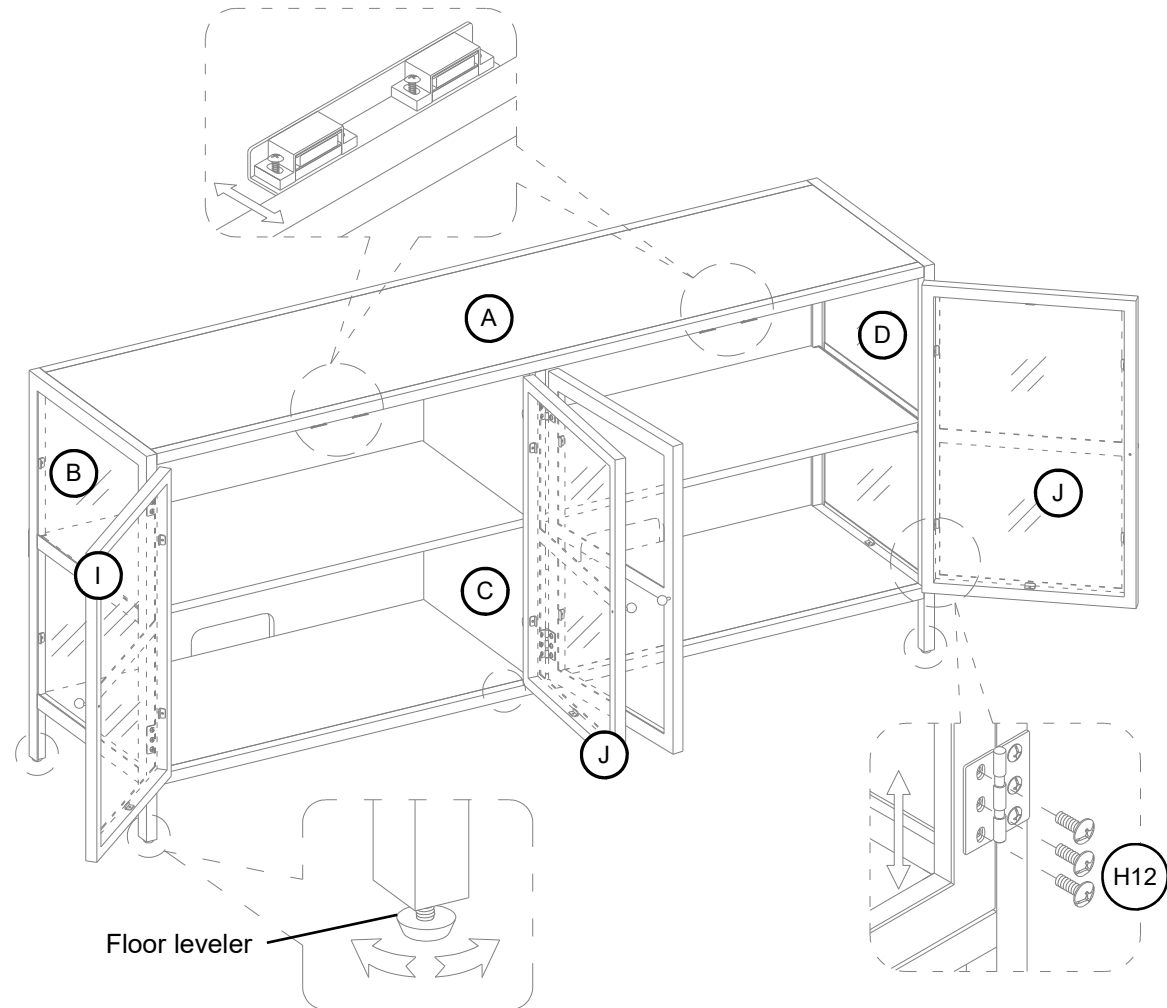


The drainage holes will face the floor when the unit is turned upright.

- 16.1. With the help of try square (H15), make sure the top panel (A) and bottom panel (E) are 90 degree to both side frames (B and D). Place the try square at the corners where the panels are attached and check the angle. After you have checked the square, then proceed to fasten the panels into place.
- 16.2. Pick up one left door (I) and attach it to the butt hinges pre-attached on the left side frame (B) with three 10mm bolts (H12) per hinge. DO NOT fully tighten the bolts.
- 16.3. Repeat the same process to install the other left door (I) and right doors (J).
- 16.4. Lift the assembled unit upright and position it near the final location.

step 17: correct the doors alignment

CAUTION: DO NOT open the middle two doors at the same time to avoid collision.



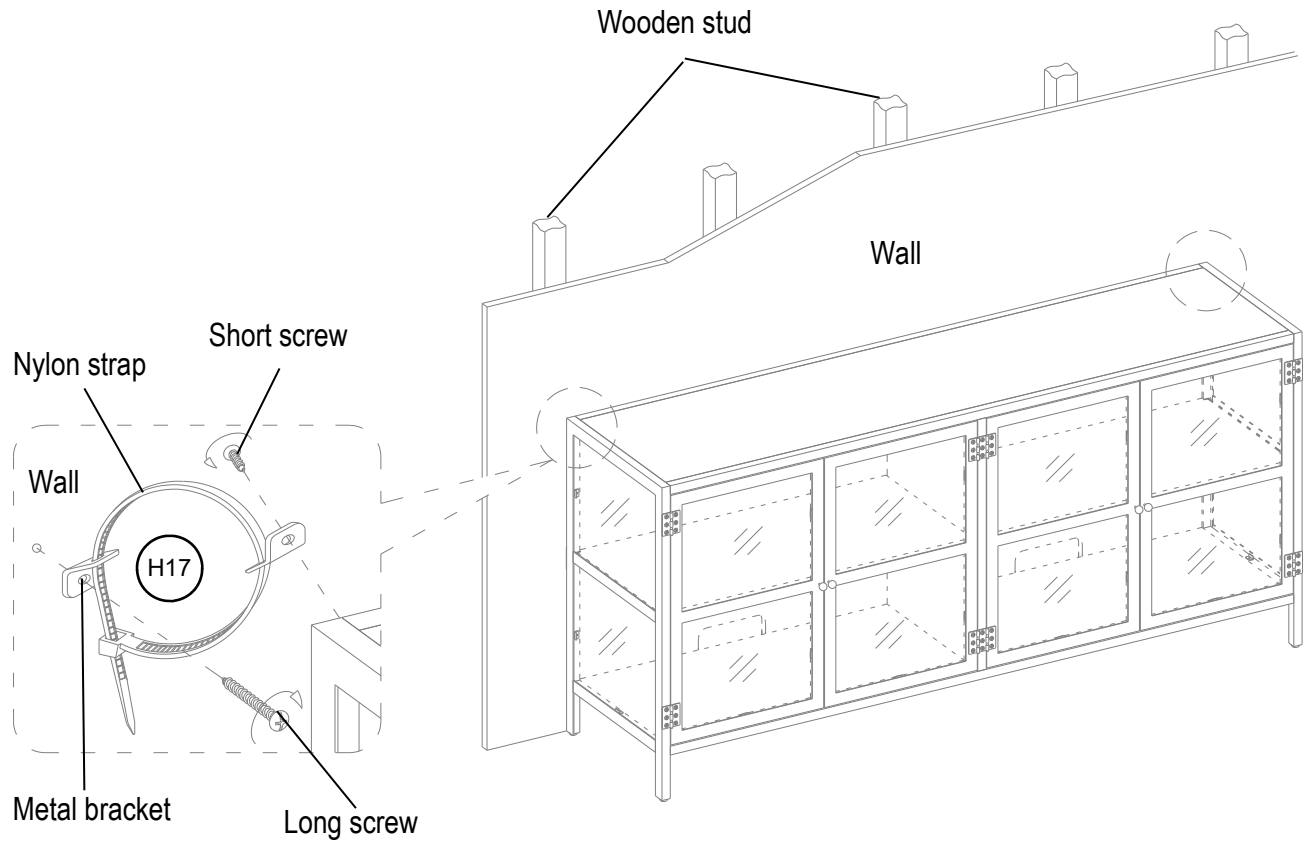
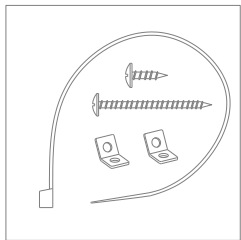
NOTE: Open and close the doors and adjust the gaps to make sure they are aligned and shut correctly.
If you find that the doors do not close properly or do not align correctly, please follow these steps:

- 17.1. Adjust the floor levelers pre-attached underneath the side frames (B and D) and support foot (M) to level the doors.
- 17.2. The pre-attached magnetic catches can be adjusted to ensure that the doors function properly. This can be done by moving the catches forward and back.
- 17.3. Open the doors and loosen the bolts (H12) on the butt hinges and adjust properly for a good fit.
- 17.4. Once the doors function properly, go back and tighten all the screws.

step 18: attach tipping restraint hardware



(H17) x 2
tipping restraint hardware kit
(inside plastic bag)



Tools required: Phillips screwdriver, stud finder, tape measure, pencil, power drill and 1/8" drill bit.

- 18.1. Follow the instructions printed on plastic bag containing tipping restraint hardware to attach tip-over restraint between the unit and the wall.
NOTE: You must use this tipping restraint to attach this unit to the wall, to prevent accidents and / or injuries.

Care and Maintenance

- Use a soft, clean cloth that will not scratch the surface when dusting.
- Use of furniture polish is not necessary. Should you choose to use polish, test first in an inconspicuous area.
- Using solvents of any kind on your furniture may damage the finish.
- Never use water to clean your furniture as it may cause damage to the finish.
- Always use coasters under beverage glasses and flowerpots.
- Liquid spills should be removed immediately. Using a soft, clean cloth, blot the spill gently. Avoid rubbing.
- Always use protective pads under hot dishes and plates. Heat can cause chemical changes that may create spotting within the furniture finish.
- Stains or marks from crayons or ink markers will be difficult to remove.
- In the event that your furniture is stained or otherwise damaged during use, we recommend that you call a professional to repair your furniture.
- Check bolts/screws and nuts periodically and tighten them if necessary.

Further Advice about Wood Furniture Care

It is best to keep your furniture in a climate-controlled environment. Extreme temperature and humidity changes can cause fading, warping, shrinking and splitting of wood. It is advised to keep furniture away from direct sunlight as sun may damage the finish.

Proper care and cleaning at home will extend the life of your purchase. Following these important and helpful tips will enhance your furniture as it ages.

We hope you enjoy your purchase for many years.
Thank you for your purchase!

QUALITY GUARANTEE

We are confident that you will be delighted with your Whalen Furniture purchase.

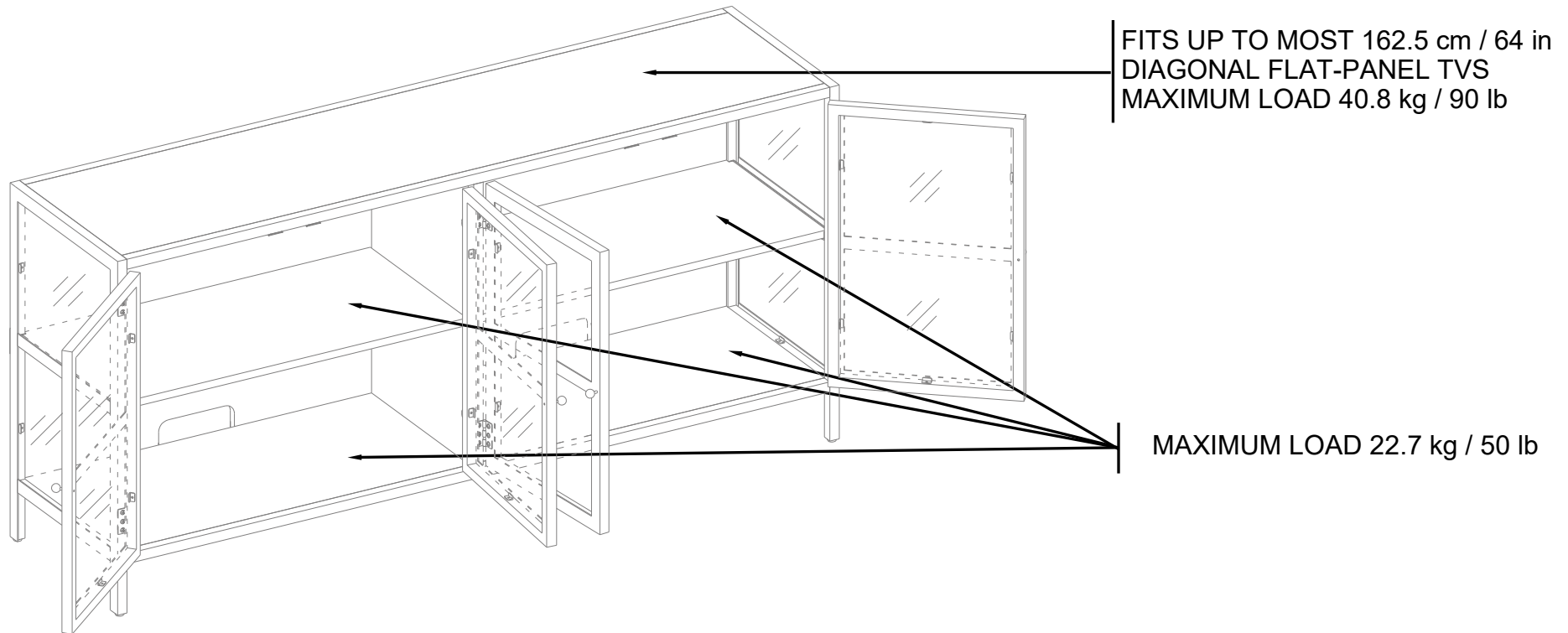
Should this product be defective in workmanship or materials or fail under normal use, we will repair or replace it for up to one (1) year from date of purchase. Every Whalen Furniture product is designed to meet your highest expectations. We guarantee that you will immediately see the value of our fine furniture.

This warranty gives you specific al rights and you may also have other rights which vary from state to state or province to province.

Customer Service: 1-855-MYTGTHOME (855-698-4846)
8:30 a.m. - 4:30 p.m., PST, Monday to Friday
www.whalenfurniture.com

MAXIMUM RECOMMENDED WEIGHT LOADS

MANUFACTURER: Whalen Furniture Manufacturing
CATALOG: Crystal Cove Glass Media Stand 60"
MODEL # TGAVC60-20



⚠ WARNING

THIS UNIT IS NOT INTENDED FOR USE WITH CRT TVS. USE ONLY WITH FLAT PANEL TVS AND AUDIO/ VIDEO EQUIPMENT MEETING RECOMMENDED SIZE AND WEIGHT LIMITS. NEVER USE WITH LARGER/HEAVIER THAN RECOMMENDED FLAT PANEL TVS OR EQUIPMENT. TO AVOID INSTABILITY, PLACE FLAT PANEL TV IN THE CENTRE OF THE UNIT; THE BASE OF THE TELEVISION MUST BE ABLE TO REST ON THE SUPPORTING SURFACE OF THE UNIT WITHOUT OVER-HANGING THE EDGES. IMPROPERLY POSITIONED FLAT PANEL TVS, OR FLAT PANEL TVS INCLUDING OTHER EQUIPMENT THAT EXCEED RECOMMENDED SIZE AND WEIGHT LIMITS COULD FALL OFF OR BREAK THE UNIT, CAUSING POSSIBLE SERIOUS INJURY. FOR USE WITH TELEVISIONS WEIGHING 90 LBS (40.8 KG) OR LESS. USE WITH HEAVIER TELEVISIONS MAY RESULT IN INSTABILITY CAUSING TIP OVER RESULTING IN DEATH OR SERIOUS INJURY.

The maximum recommended weight allowance is 40.8 kg / 90 lb for top panel.
The maximum recommended weight allowance is 22.7 kg / 50 lb for shelves.

 **WARNING**

Please use your furniture correctly and safely. Improper use can cause safety hazards, or damage to your furniture or household items. Carefully read the following safety information.

This unit is not intended for use with CRT TVs. The top surface maximum weight capacity is 90 lbs. (40.8 kg) and maximum load 64 in. (162.5cm) diagonal flat-panel TV. The shelf maximum recommended weight allowance is 50 lbs. (22.7 kg). Use with heavier televisions may result in instability causing tip over resulting in death or serious injury.

Death or serious injury may occur when children climb on audio and/or video equipment furniture. A remote control or toys placed on the furnishing may encourage a child to climb on the furnishing and as a result may tip over onto the child.

NEVER allow children to climb or play with the TV or furnishing supporting the TV.

NEVER place toys, food, remote, etc. on top of the TV or TV furnishing.

ALWAYS use either the safety hardware as instructed or other wall anchoring device.

Relocating audio and/or video equipment to furniture not specifically designed to support audio and/or video equipment may result in death or serious injury due to furniture collapse or over turning onto a child.

NEVER place a TV on furniture that is not intended to support a TV.

NEVER exceed the maximum size and weight of the TV shown in the instructions.

Be sure to refer to the TV warning label as shown in the instructions.

Overloading drawers and shelves may result in furniture that can break or sag, or tip-over which may result in injury.

NEVER exceed the weight limits shown in the instructions.

Place the heavier items on lower shelves as far back from the front as possible.

Load the bottom surfaces first to avoid top-heavy furniture.

Moving furniture that is not designed to be moved or equipped with casters may result in injury or damage to furnishings or personal property.

ALWAYS unload shelves and drawers, starting with the top surfaces, before moving.

NEVER push or pull furniture on carpet. Have a friend help lift properly to move and/or reposition it.

The unit is not meant as a seat and no one should be sitting or standing on the top surface.

FURNITURE TIPPING RESTRAINT

YOUNG CHILDREN MAY BE INJURED BY TIPPING FURNITURE AND YOU MUST USE THIS TIPPING RESTRAINT TO ATTACH THIS UNIT TO THE WALL, TO PREVENT ACCIDENTS AND/OR INJURIES.

THIS HARDWARE, MUST BE PROPERLY INSTALLED (FOLLOW ALL DIRECTIONS IN ORDER ON THIS INSTRUCTIONS), TO PROVIDE PROTECTION AGAINST THE UNEXPECTED TIPPING OF FURNITURE DUE TO IMPROPER USE.

THIS PRODUCT IS ONLY A DETERRENT. IT IS NOT A SUBSTITUTE FOR PROPER ADULT SUPERVISION. USE OF TIP-OVER RESTRAINTS MAY ONLY REDUCE, BUT NOT ELIMINATE, THE RISK OF TIP-OVER.

WARNING

- Unit must be placed on a level surface or leveled with included hardware (when applicable).
- Do not sit or stand on or allow children to climb, sit or stand on the assembled product.
- For safety reasons, it is imperative that this unit be mounted to the wall.
- Do not use without installing the tip restraint.
- Unit can tip over causing severe injury or death.
- Do not exceed the recommended weight limits.
- Evenly distribute the weight on each level and always keep the heavier loads on the bottom.
- Before cutting, drilling or hammering into any wall or floor surface, verify the location of electrical, plumbing and gas lines. Cutting may cause serious injury.

Questions? Just call 1-855-MYTGTHOME (855-698-4846) for parts and service. For faster service, have the style number and DPCI number ready when calling.