



THRESHOLD™

— *designed with* —

STUDIO MCGEE

## Promontory 72" Sliding Glass Media Stand

Style # TGAVC72-23    DPC-item #: 249-10-5786    (White)

Style # TGAVC72-24    DPC-item #: 249-10-8938    (Black)



>> [Assembly instructions](#)



Congratulations on your latest Target purchase.

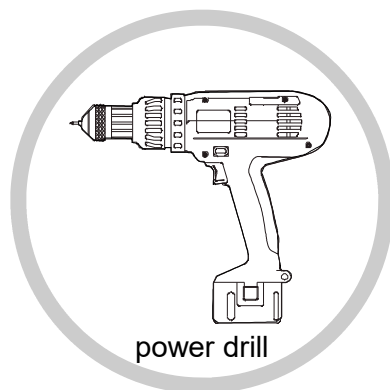
Now what? Don't start sweating over this box of parts. This will be easy. We did the hard work for you. All you need to do is follow our simple instructions and you'll be on your way to transforming your room in no time. Good luck – though we're confident you won't need it.

## before you begin

1. Check for damaged or missing parts. Call 1-855-MYTGTHOME (855-698-4846) to order missing supplies.
2. Use the carton as a work surface to prevent product damage during assembly.
3. Gather all tools prior to assembly.



## tools needed (not included)



For tipping restraint hardware kit only.

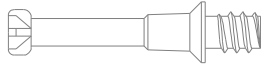
# hardware

---

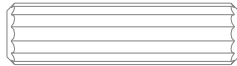
**(H1) x 36**  
cam lock



**(H2) x 36**  
cam bolt



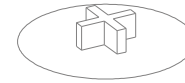
**(H3) x 28**  
M8 x 30 mm  
wood dowel



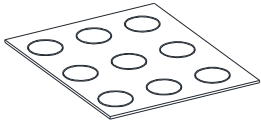
**(H4) x 12**  
shelf support



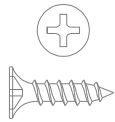
**(H5) x 16**  
white cam lock cover (TGAVC72-23)  
black cam lock cover (TGAVC72-24)



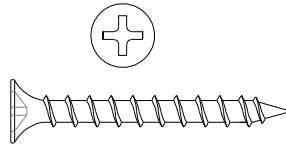
**(H6) x 8+1**  
rubber bumper



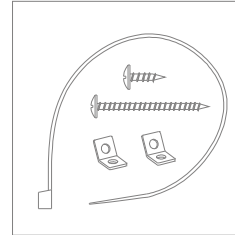
**(H7) x 12**  
M3.5 x 12 mm screw



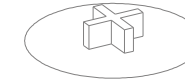
**(H8) x 4**  
M4 x 35 mm screw



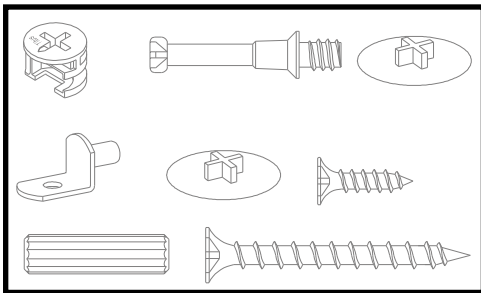
**(H9) x 2**  
tipping restraint hardware kit  
(inside plastic bag)



**(H10) x 20**  
brown cam lock cover

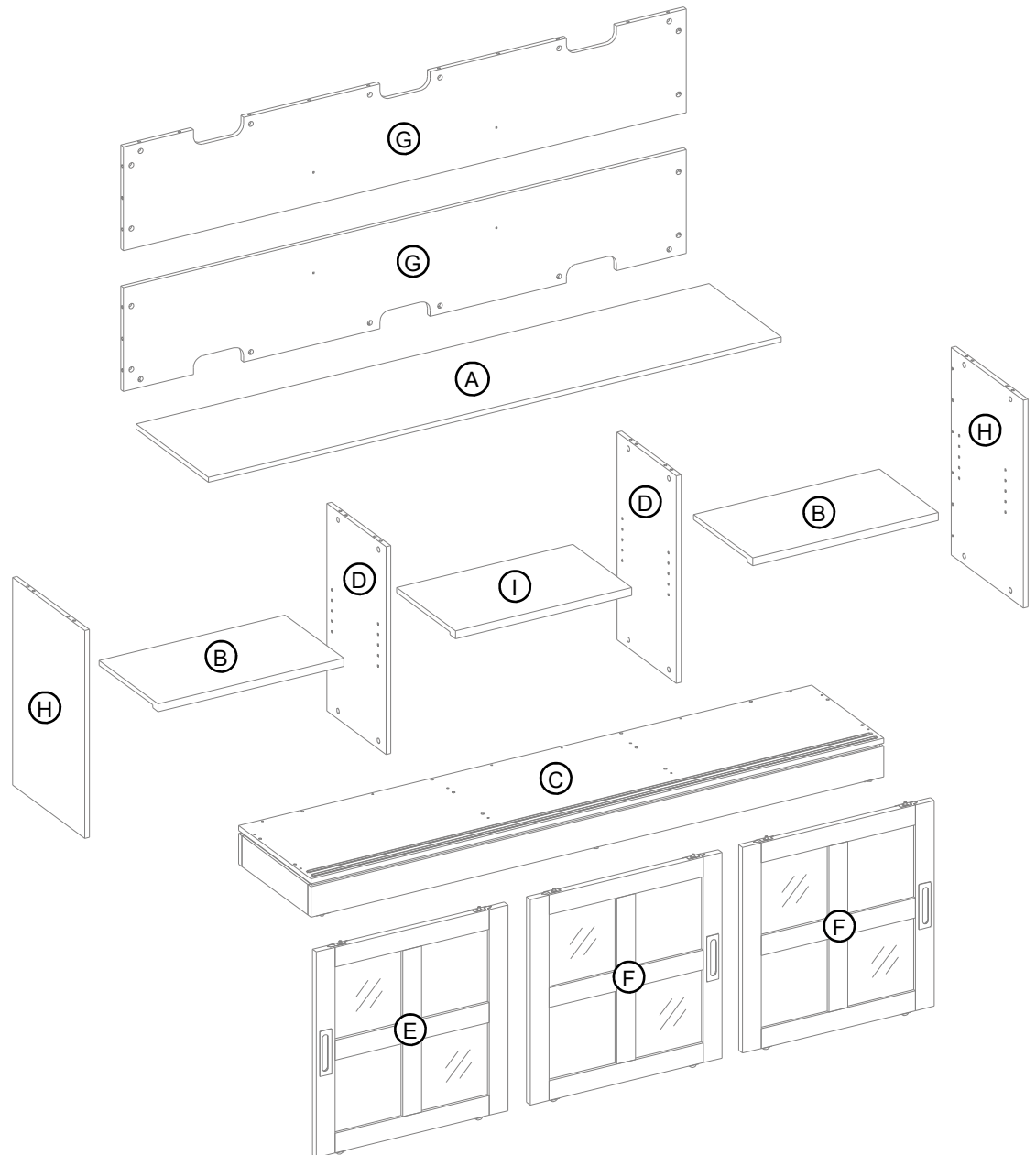


## Spare hardware



## exploded diagram

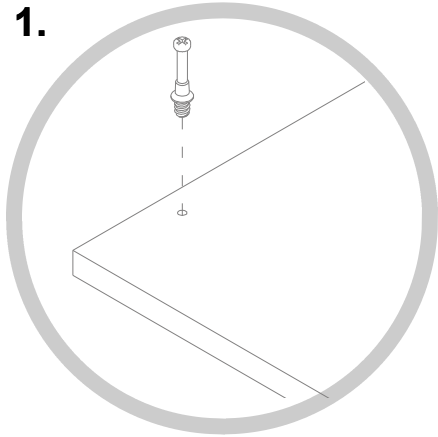
ITEM	DESCRIPTION	QTY
A	Top panel	1
B	Left / Right adjustable shelf	2
C	Base	1
D	Middle partition	2
E	Left sliding door	1
F	Middle / Right sliding door	2
G	Back panel	2
H	Side panel	2
I	Middle adjustable shelf	1



# how to use the cam lock system

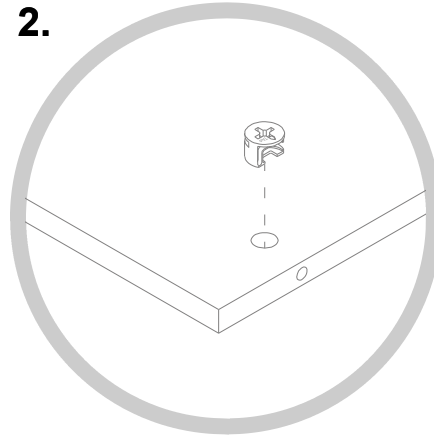
---

1.



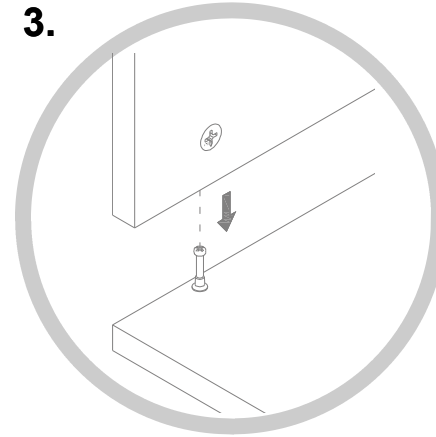
Screw cam bolt into panel

2.



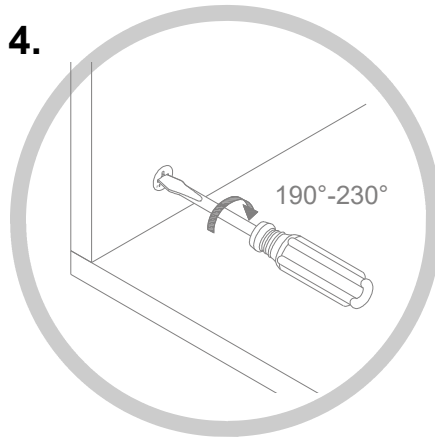
Push cam into panel - arrow feature on cam top points to panel edge

3.



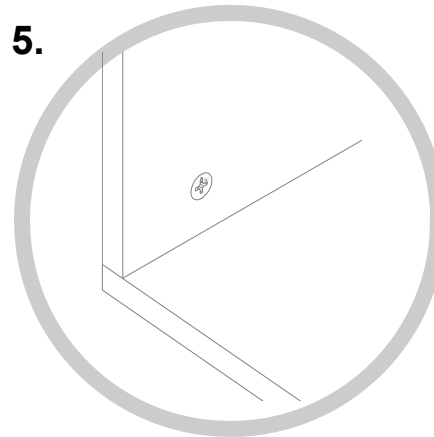
Align cam bolt(s) with cam(s) and insert all the way into cross-bored hole(s)

4.



Rotate cam(s) clockwise 190°-230° to lock panels together

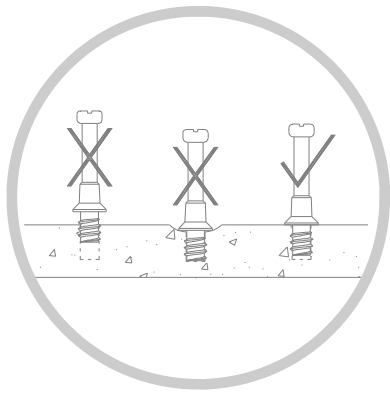
5.



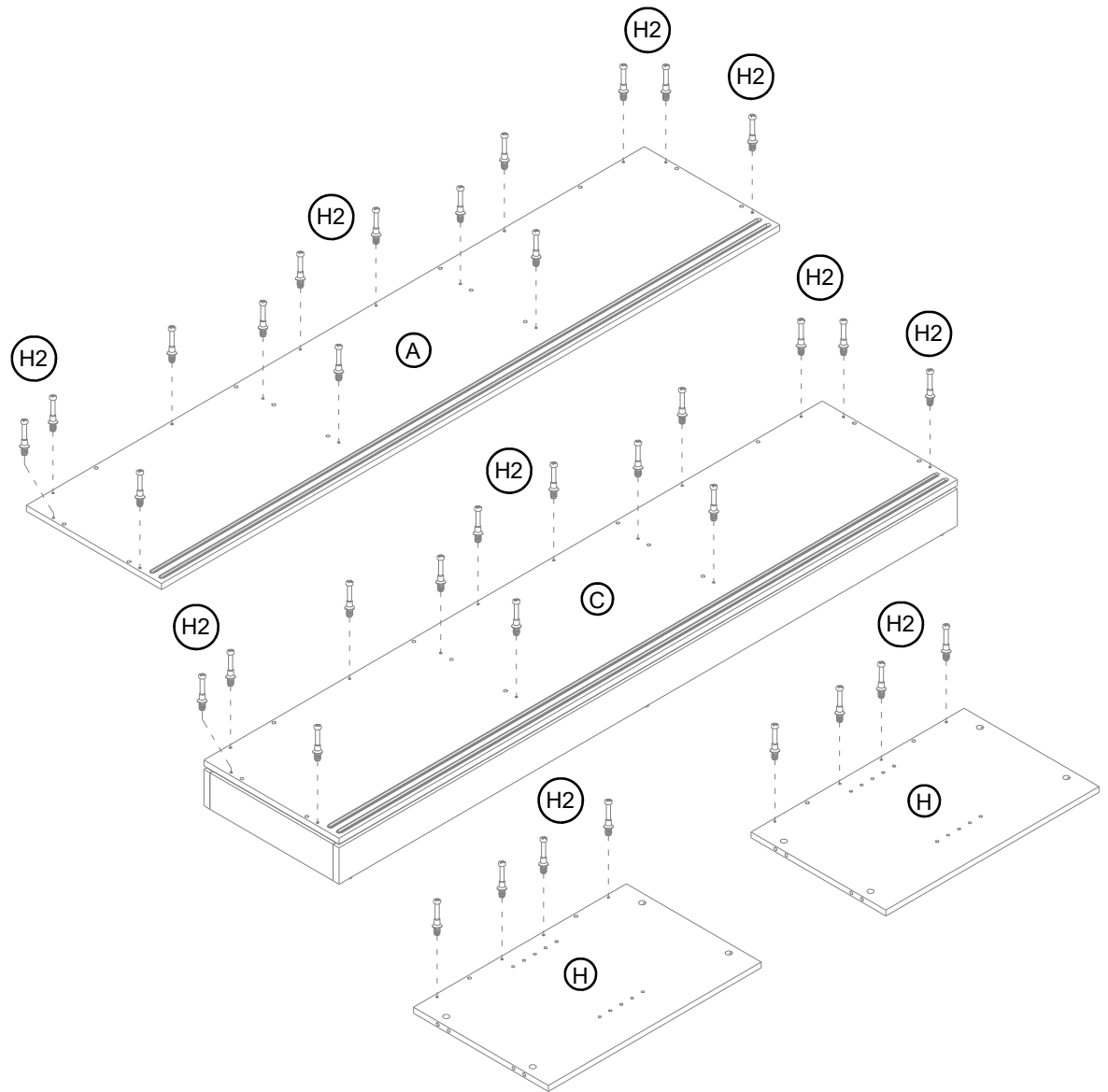
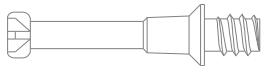
Panels should be tight against each other and connection should be rigid

# step 1: prepare the top panel, side panels and base assembly

---



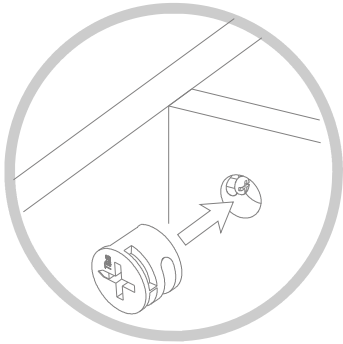
**(H2) x 36**  
cam bolt



1.1. Securely screw the cam bolts (H2) into the designated small holes on the top panel (A), the base (C) and the side panels (H).

## step 2: attach the back panel between the side panels

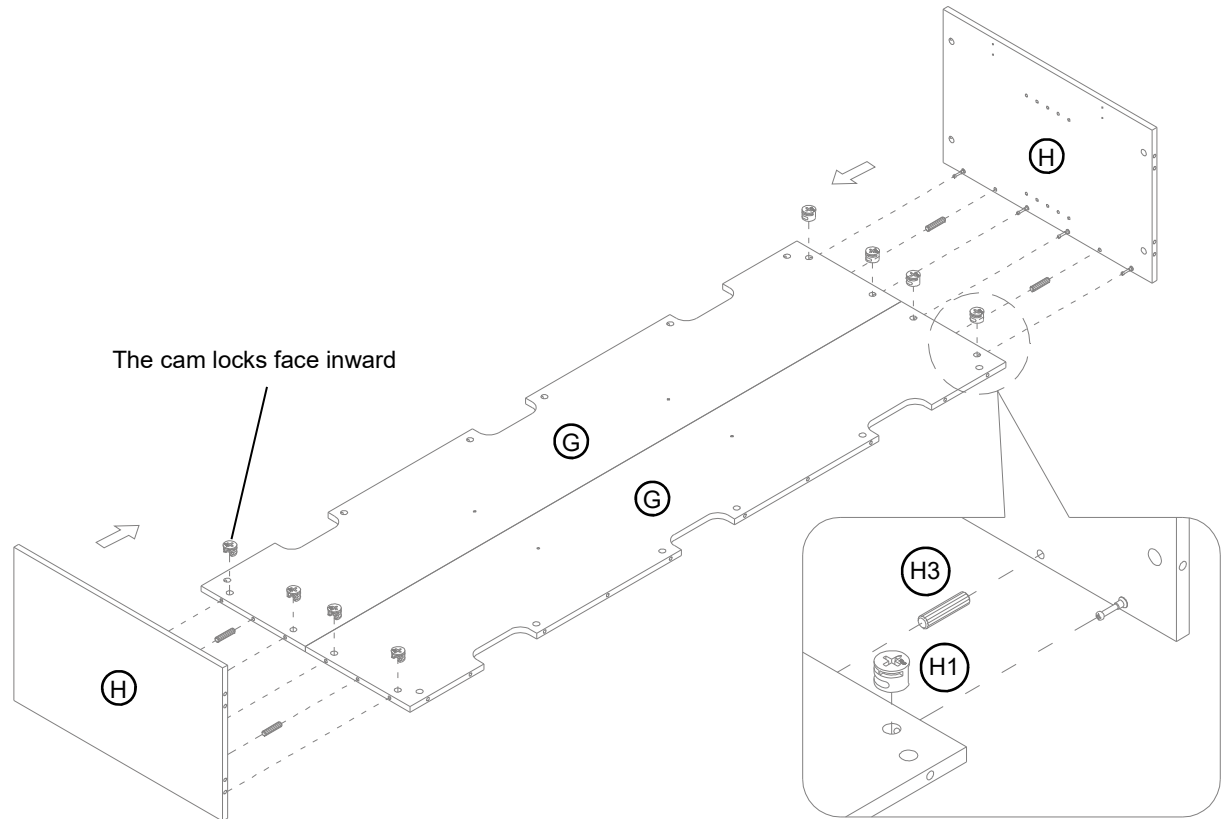
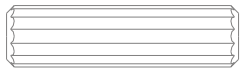
---



(H1) x 8  
cam lock



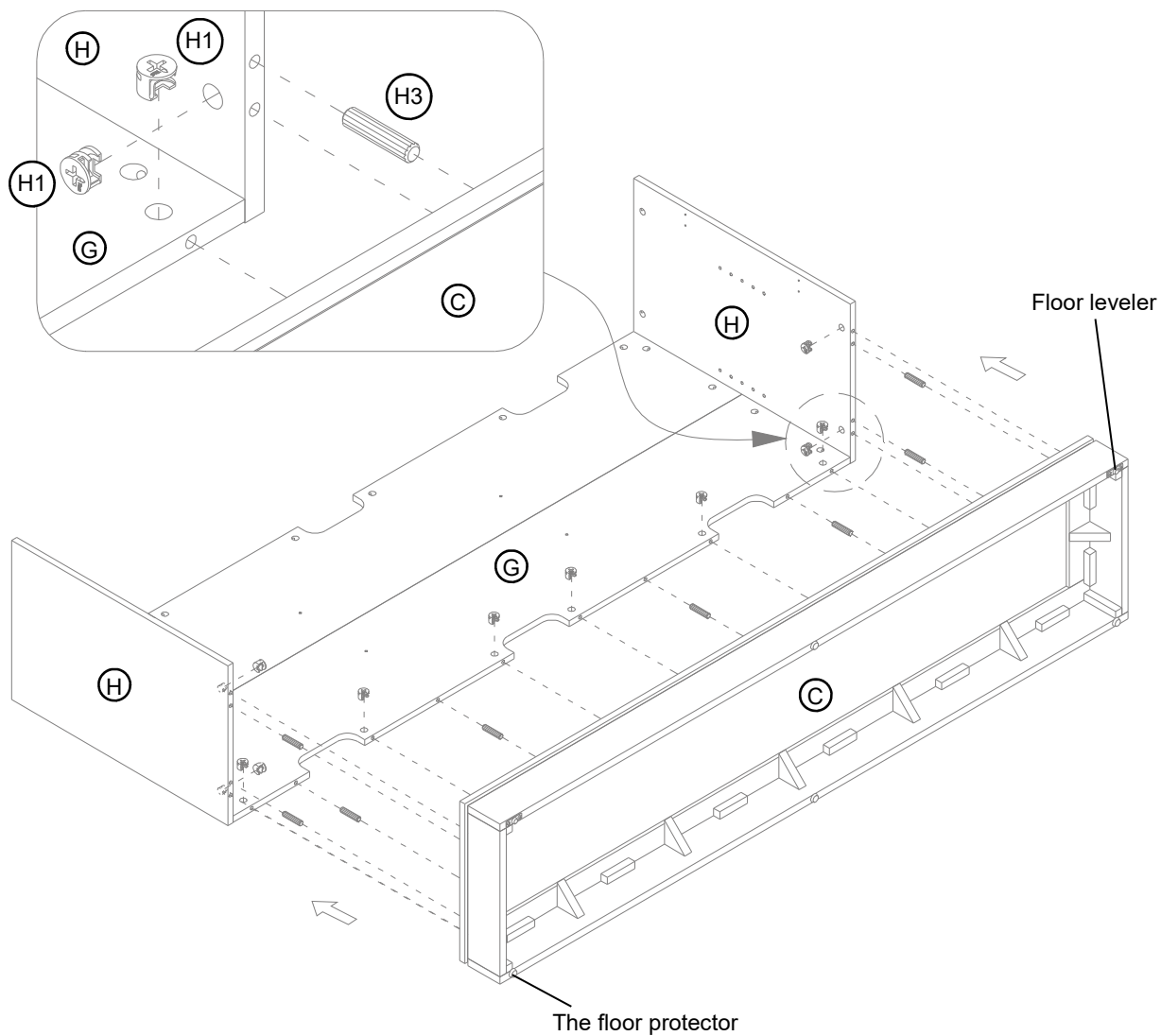
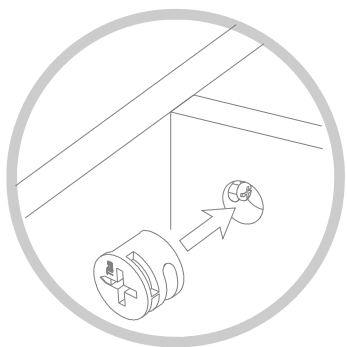
(H3) x 4  
M8 x 30 mm  
wood dowel



- 2.1. Insert four 30mm wood dowels (H3) into the side holes of the back panels (G) at both ends.
- 2.2. Align and attach the back panels (G) between the side panels (H) with eight cam locks (H1).

## step 3: attach the previous assembly to the base

---



---

(H1) x 10  
cam lock



(H3) x 8  
M8 x 30 mm  
wood dowel

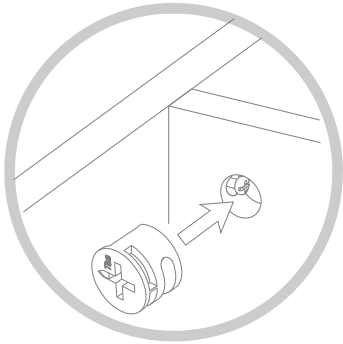


- 3.1. Insert eight 30mm wood dowels (H3) into the bottom inner holes of the panels (H and G).
- 3.2. Align and attach both side panels (H) and back panel (G) to the base (C) with ten cam locks (H1).



## step 4: attach the middle partitions to the base

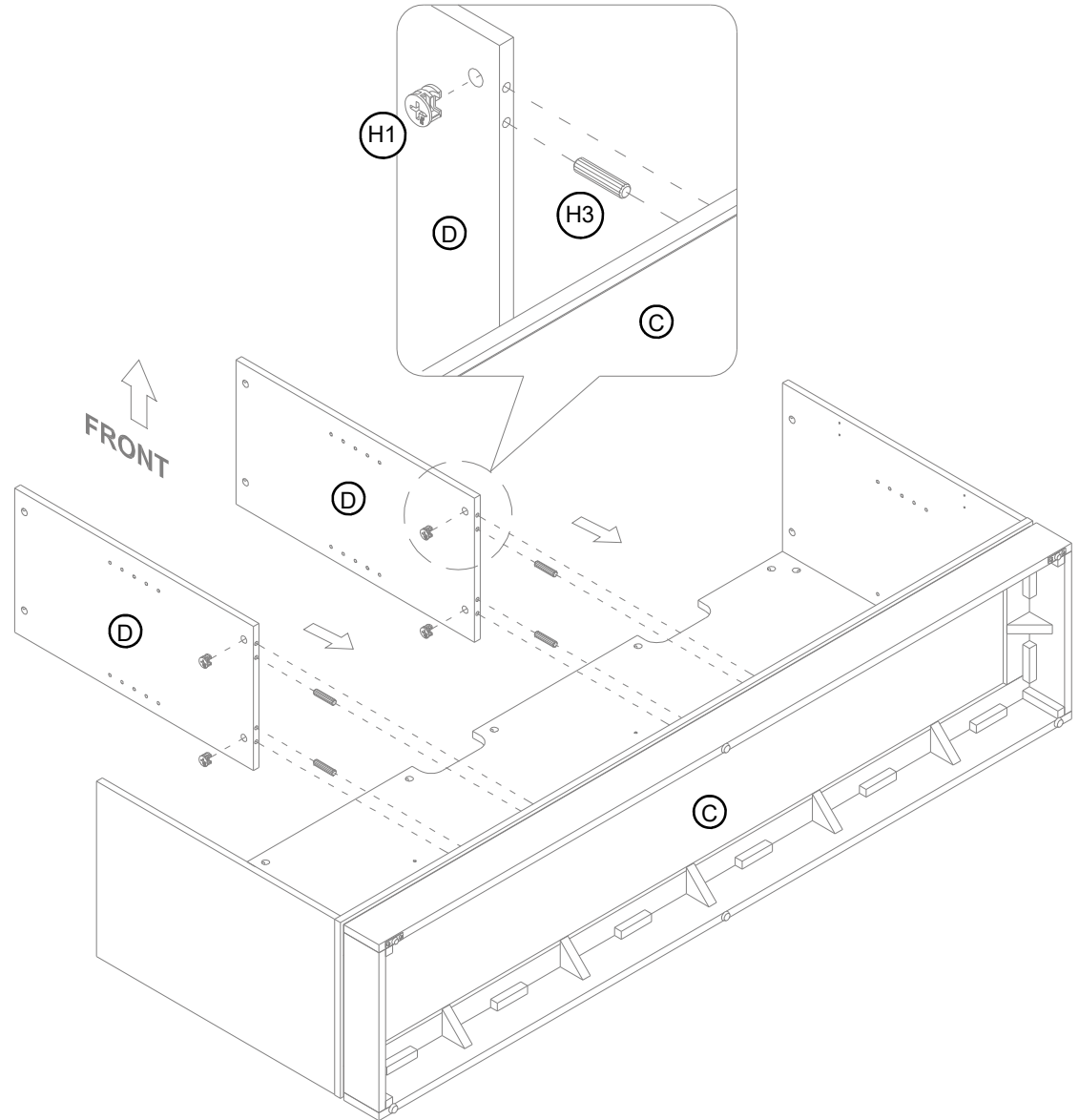
---



(H1) x 4  
cam lock



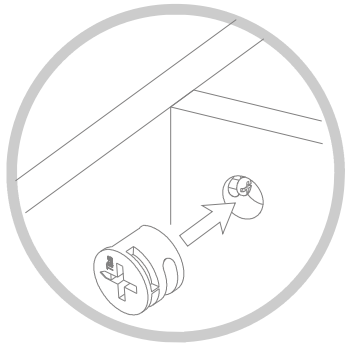
(H3) x 4  
M8 x 30 mm  
wood dowel



- 4.1. Insert two 30mm wood dowels (H3) into the bottom inner holes of each middle partition (D).
- 4.2. Align and attach the middle partitions (D) to the base (C) with four cam locks (H1).

## step 5: attach the top panel to the previous assembly

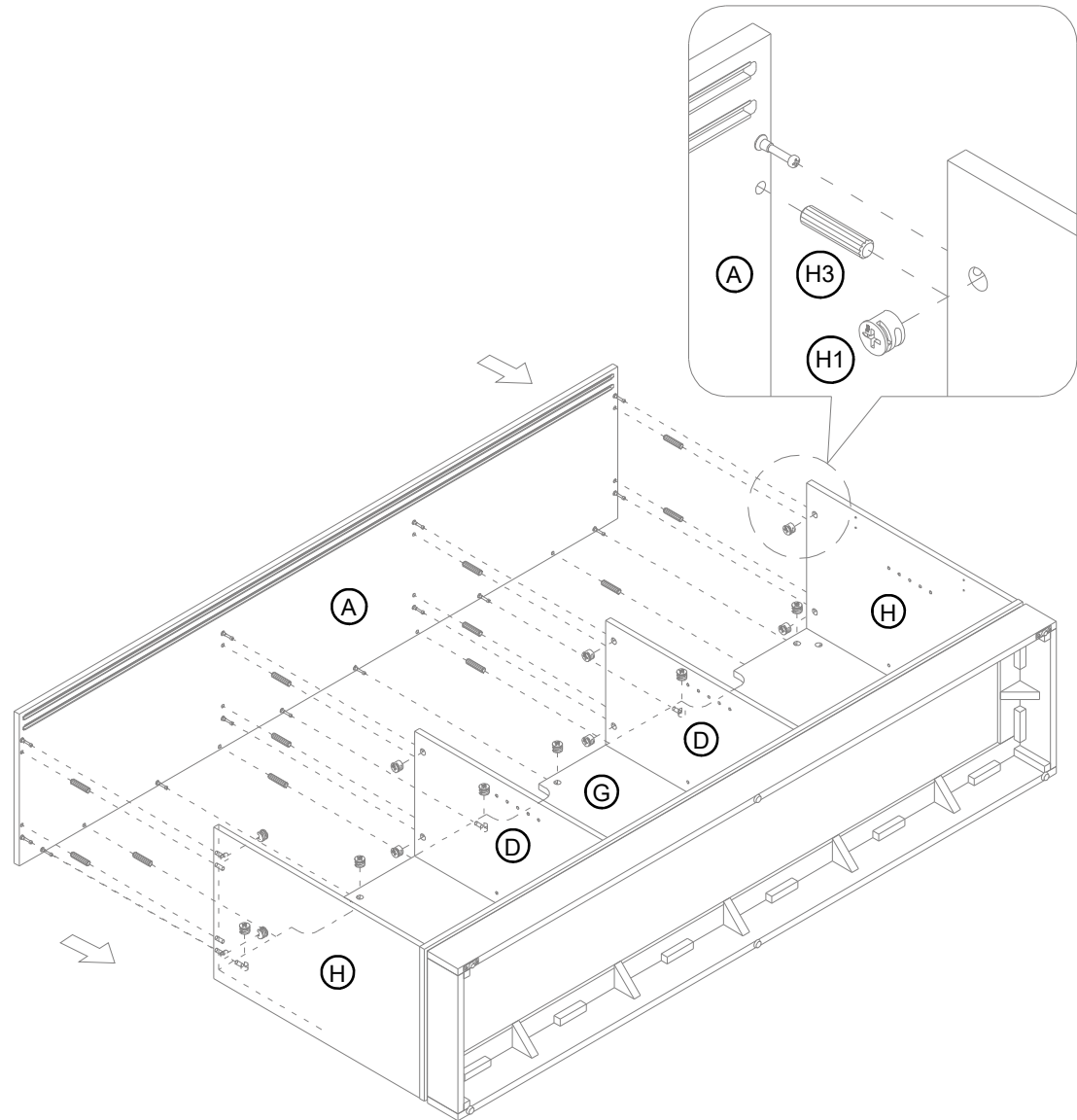
---



**(H1) x 14**  
cam lock



**(H3) x 12**  
M8 x 30 mm  
wood dowel



- 5.1. Insert twelve 30mm wood dowels (H3) into the top inner holes of the panels (D, G and H).
- 5.2. Align and attach the top panel (A) to the previous assembly using fourteen cam locks (H1).

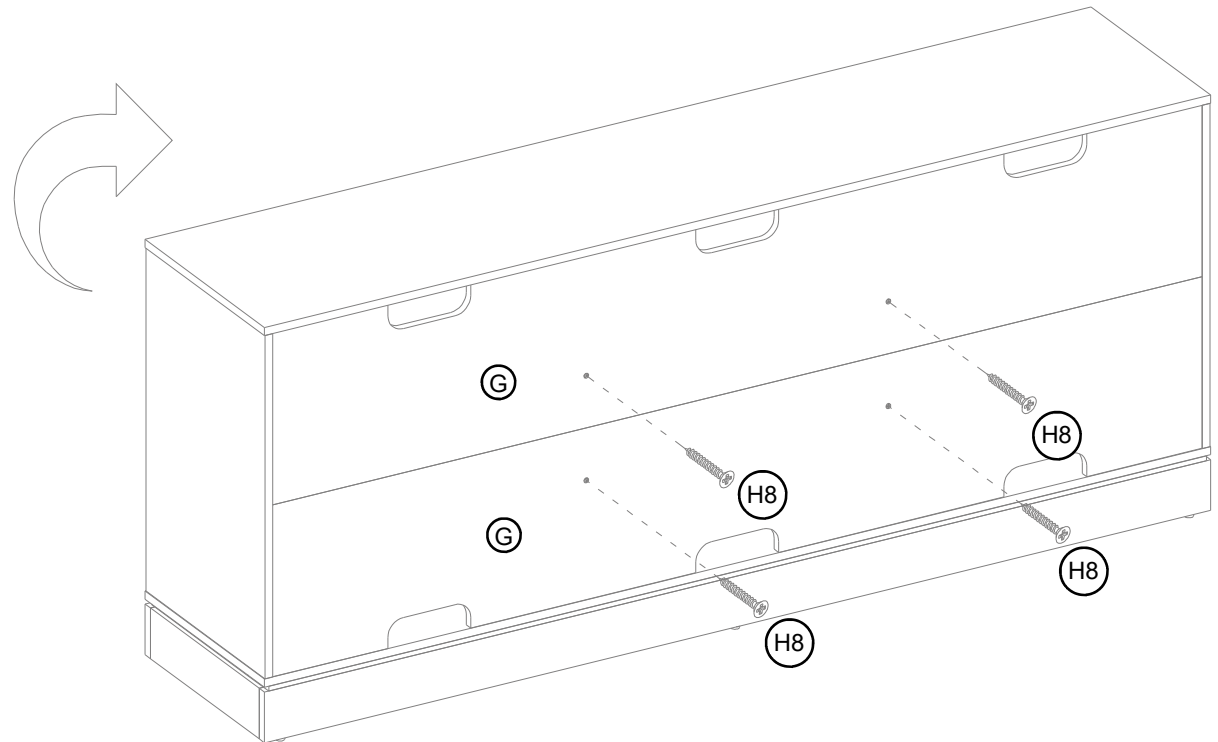
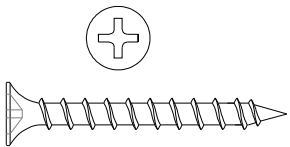
## step 6: fasten the back panels

---

**NOTE:** DO NOT use power tools.

---

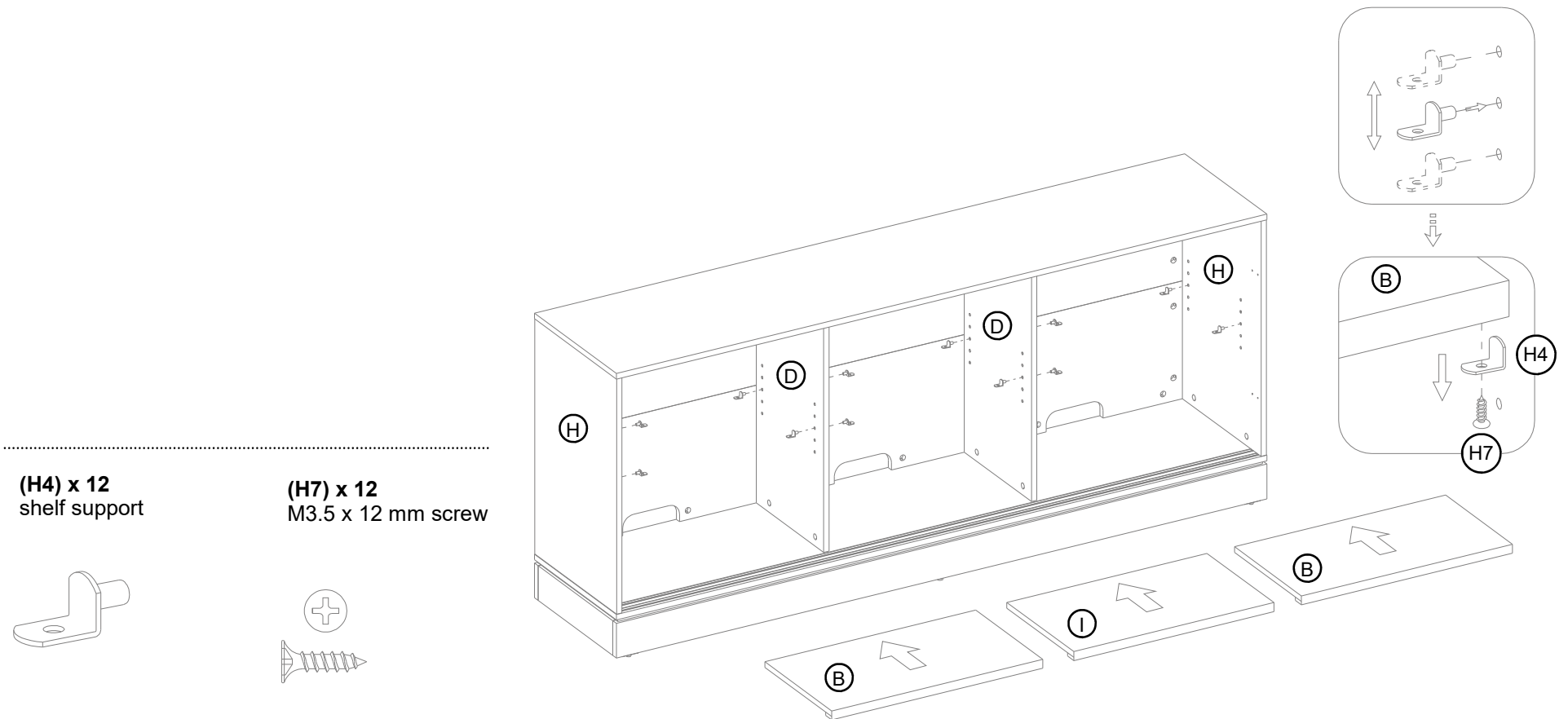
**(H8) x 4**  
M4 x 35 mm screw



- 6.1. With the help of another adult, stand the unit upright.
- 6.2. Fasten the back panels (G) to the middle partitions (D) with four 35mm screws (H8).

## step 7: install the adjustable shelves

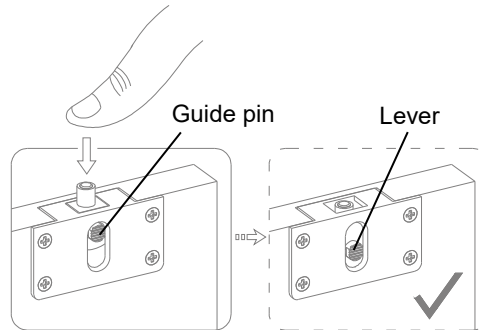
---



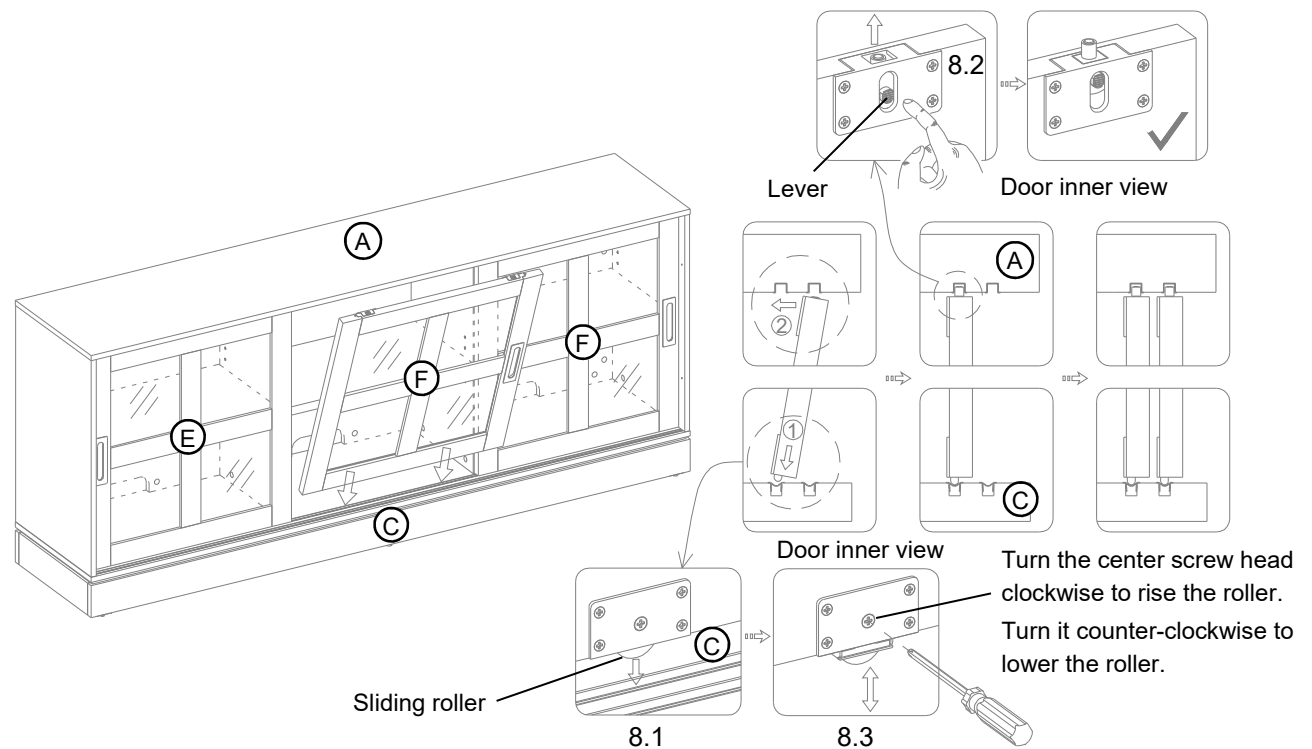
7.1. Insert four shelf supports (H4) into the desired holes in the sides of each compartment. Make sure you place the four shelf supports at the same level so the shelf is not tilted.

7.2. Tilt and rest the adjustable shelves (B and I) onto the shelf supports. Secure the shelf in place with the 12mm screws (H7) for extra support.

## step 8: install the sliding doors



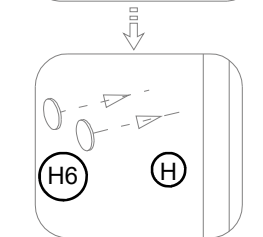
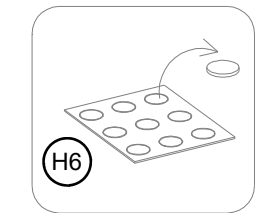
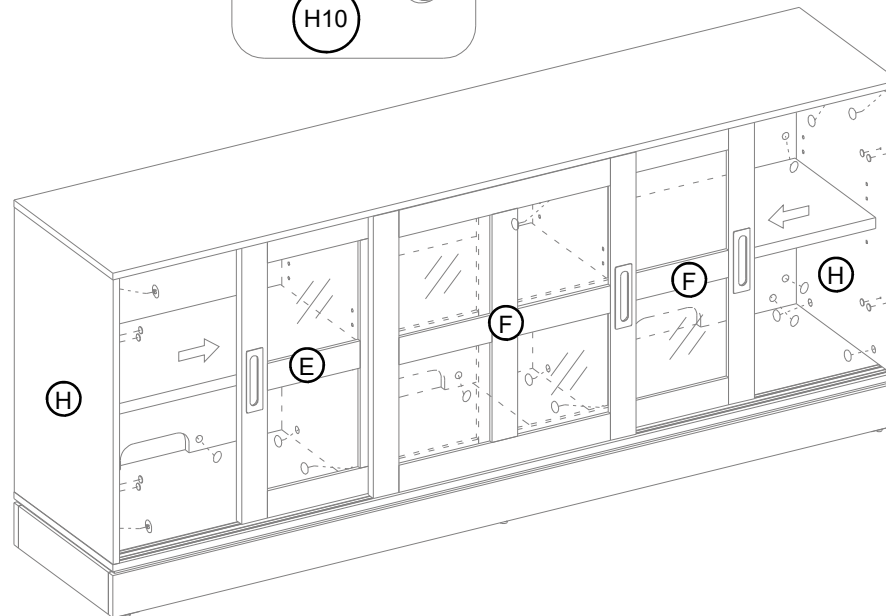
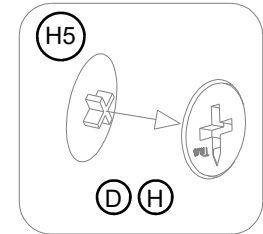
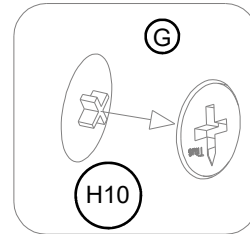
**NOTE:** The guide pins are retracted and flush with the door top rail when shipping. If the guide pins accidentally protruded out (the lever is unlocked) when assembly, press them down from the top and proceed with the assembly.



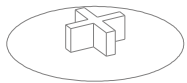
- 8.1. Pick up the left sliding door (E) and rest the bottom sliding rollers onto the inner roller track on the base (C).
- 8.2. Line up guide pins with the top guideway and press lever to unlock guide pin and release into the track.
- 8.3. If the guide pins can't slide into the top guideway properly, take a Phillips screwdriver and adjust the center screw head on the back plates of the sliding rollers to correct the top gap.  
Turn the center screw head clockwise to rise the roller.  
Turn it counter-clockwise to lower the roller.
- 8.4. Repeat above steps to install the middle and right sliding doors (F). You need slide inside door to one side to allow access to the other side of the outer door in opening to access slide door lock and release the guide pin. Then slide inner door to opposite side to allow access to other side of outer door in the open case and release the other guide pin.

## step 9: Install the cam lock covers and rubber bumpers

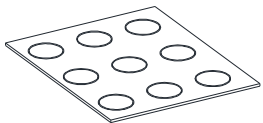
**NOTE:** DO NOT slam shut the sliding doors to prevent from damaging and leaving gap.



**(H5) x 16**  
white cam lock cover (TGAVC72-23)  
black cam lock cover (TGAVC72-24)



**(H6) x 8+1**  
rubber bumper



**(H10) x 20**  
brown cam lock cover



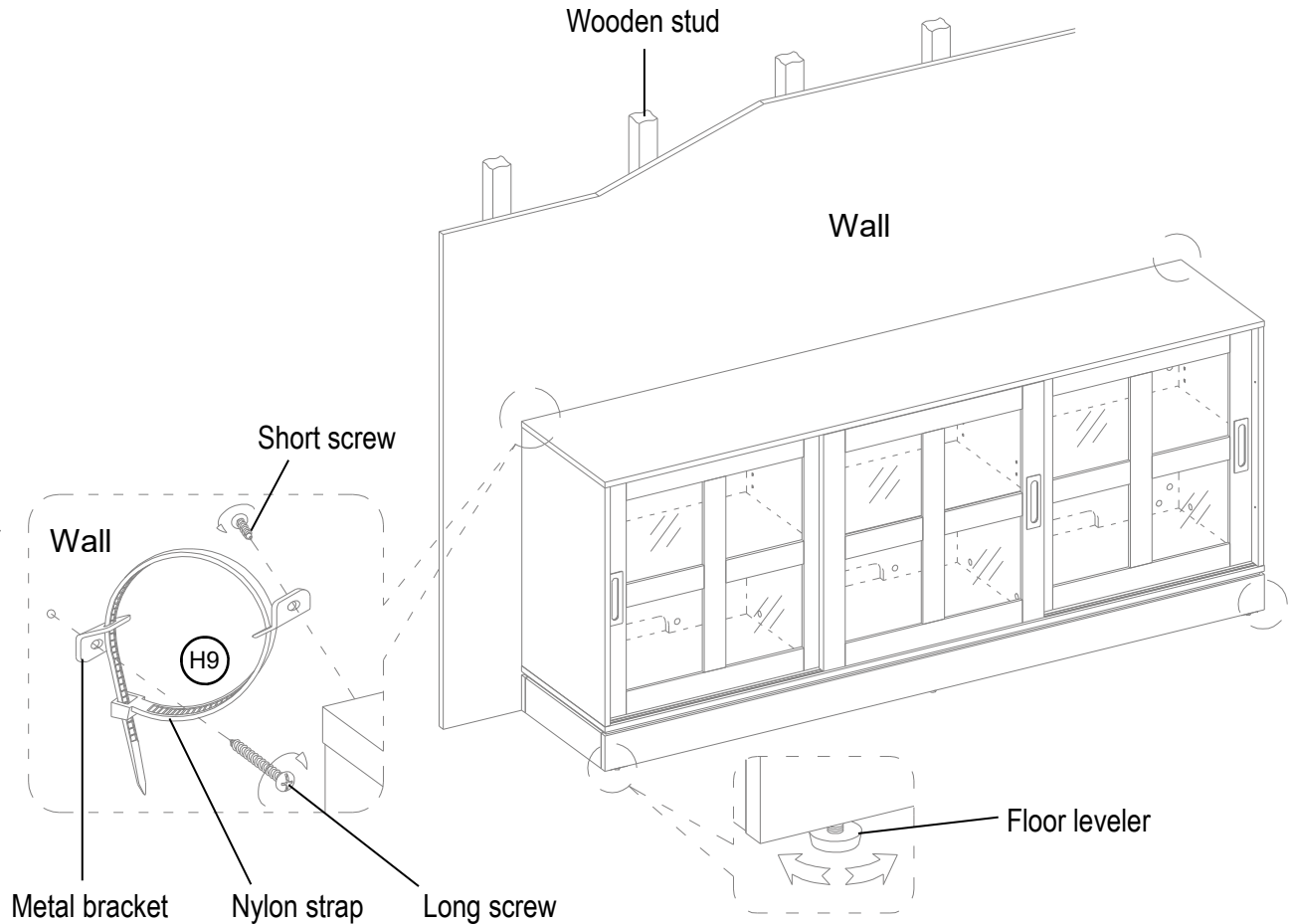
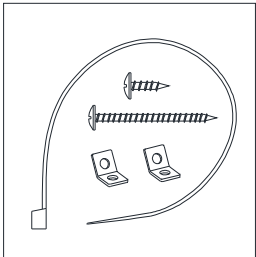
- 9.1. Plug the cam lock covers (H5) into the visible cam locks onto the side panels (H) and the middle partitions (D) to conceal the cams.
- 9.2. Plug the brown cam lock covers (H10) into the visible cam locks onto the back panels (G) to conceal the cams.
- 9.3. Using the pilot holes as a guide, affix the rubber bumpers (H6) onto each side panel (H) where the sliding doors are in contact with.

## step 10: install the tipping restraint hardware kit

---



(H9) x 2  
tipping restraint hardware kit



Tools required: Phillips screwdriver, stud finder, tape measure, pencil, power drill and 1/8" drill bit (not provided).

10.1. Adjust the pre-attached floor levelers to level the unit against a wall.

10.2. Follow the instructions printed on plastic bag containing tipping restraint hardware to attach tip-over restraint between the unit and wall.

**NOTE:** You must use this tipping restraint to attach this unit to the wall, to prevent accidents and/or injuries.

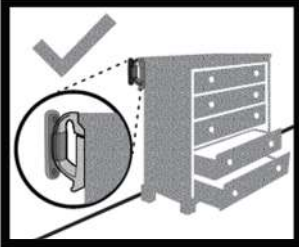
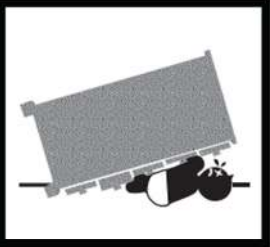
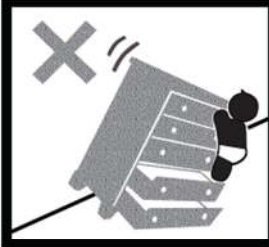
# FURNITURE TIPPING RESTRAINT

YOUNG CHILDREN MAY BE INJURED BY TIPPING FURNITURE AND YOU MUST USE THIS TIPPING RESTRAINT TO ATTACH THIS UNIT TO THE WALL, TO PREVENT ACCIDENTS AND/OR INJURIES.

THIS HARDWARE, MUST BE PROPERLY INSTALLED (FOLLOW ALL DIRECTIONS IN ORDER ON THIS INSTRUCTIONS), TO PROVIDE PROTECTION AGAINST THE UNEXPECTED TIPPING OF FURNITURE DUE TO IMPROPER USE.

THIS PRODUCT IS ONLY A DETERRENT. IT IS NOT A SUBSTITUTE FOR PROPER ADULT SUPERVISION. USE OF TIP-OVER RESTRAINTS MAY ONLY REDUCE, BUT NOT ELIMINATE, THE RISK OF TIP-OVER.

**⚠ WARNING**



**Children have died from furniture tip over. To reduce the risk of tip over:**

- ALWAYS secure this furniture to the wall using an anti-tip device.
- NEVER allow children to stand, climb, or hang on drawers, doors or shelves.
- Place heaviest items in the lowest drawers.



## Care and Maintenance

- Use a soft, clean cloth that will not scratch the surface when dusting.
- Use of furniture polish is not necessary. Should you choose to use polish, test first in an inconspicuous area.
- Using solvents of any kind on your furniture may damage the finish.
- Never use water to clean your furniture as it may cause damage to the finish.
- Always use coasters under beverage glasses and flowerpots.
- Liquid spills should be removed immediately. Using a soft, clean cloth, blot the spill gently. Avoid rubbing.
- Always use protective pads under hot dishes and plates. Heat can cause chemical changes that may create spotting within the furniture finish.
- Stains or marks from crayons or ink markers will be difficult to remove.
- In the event that your furniture is stained or otherwise damaged during use, we recommend that you call a professional to repair your furniture.
- Check bolts/screws and nuts periodically and tighten them if necessary.

## Further Advice about Wood Furniture Care

It is best to keep your furniture in a climate-controlled environment. Extreme temperature and humidity changes can cause fading, warping, shrinking and splitting of wood. It is advised to keep furniture away from direct sunlight as sun may damage the finish.

Proper care and cleaning at home will extend the life of your purchase. Following these important and helpful tips will enhance your furniture as it ages.

We hope you enjoy your purchase for many years.  
Thank you for your purchase!

## QUALITY GUARANTEE

We are confident that you will be delighted with your Whalen Furniture purchase.

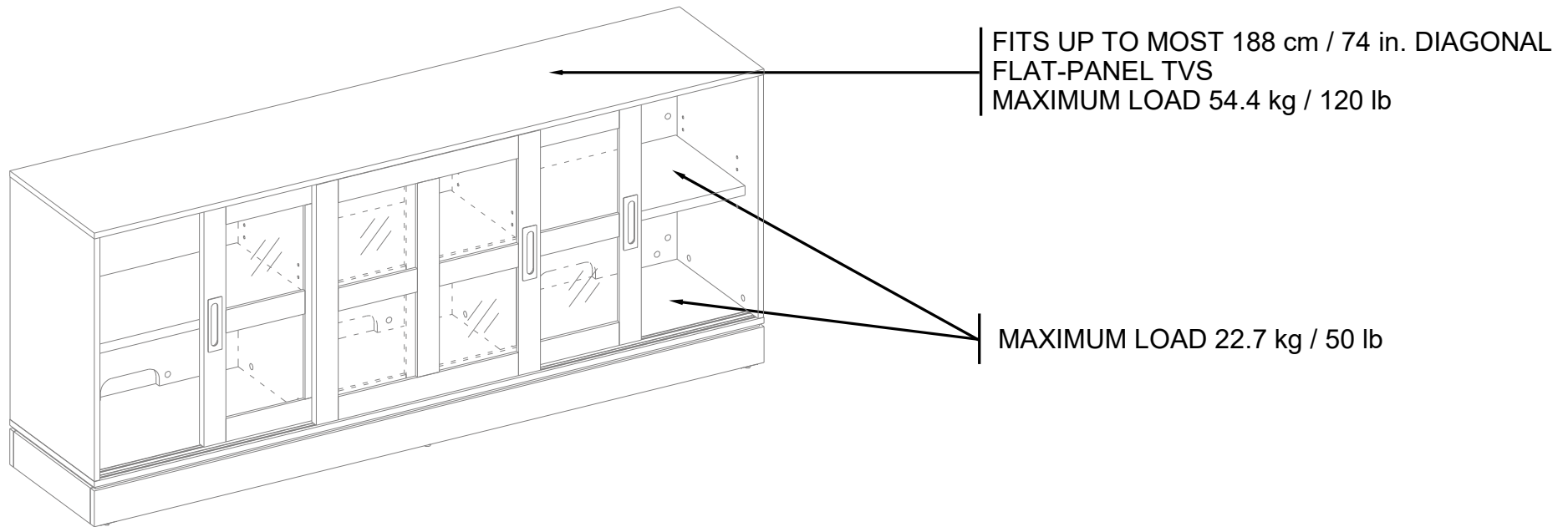
Should this product be defective in workmanship or materials or fail under normal use, we will repair or replace it for up to one (1) year from date of purchase. Every Whalen Furniture product is designed to meet your highest expectations. We guarantee that you will immediately see the value of our fine furniture.

This warranty gives you specific legal rights and you may also have other rights which vary from state to state or province to province.

Customer Service: 1-855-MYTGTHOME (855-698-4846)  
8:30 a.m. - 4:30 p.m., PST, Monday to Friday  
[www.whalenfurniture.com](http://www.whalenfurniture.com)

## MAXIMUM RECOMMENDED WEIGHT LOADS

MANUFACTURER: Whalen Furniture Manufacturing  
CATALOG: Promontory 72" Sliding Glass Media Stand  
MODEL # TGAVC72-23, TGAVC72-24



### **WARNING**

THIS UNIT IS NOT INTENDED FOR USE WITH CRT TVS. USE ONLY WITH FLAT PANEL TVS AND AUDIO/ VIDEO EQUIPMENT MEETING RECOMMENDED SIZE AND WEIGHT LIMITS. NEVER USE WITH LARGER/HEAVIER THAN RECOMMENDED FLAT PANEL TVS OR EQUIPMENT. TO AVOID INSTABILITY, PLACE FLAT PANEL TV IN THE CENTRE OF THE UNIT; THE BASE OF THE TELEVISION MUST BE ABLE TO REST ON THE SUPPORTING SURFACE OF THE UNIT WITHOUT OVER-HANGING THE EDGES. IMPROPERLY POSITIONED FLAT PANEL TVS, OR FLAT PANEL TVS INCLUDING OTHER EQUIPMENT THAT EXCEED RECOMMENDED SIZE AND WEIGHT LIMITS COULD FALL OFF OR BREAK THE UNIT, CAUSING POSSIBLE SERIOUS INJURY. FOR USE WITH TELEVISIONS WEIGHING 120 LB (54.4 KG) OR LESS. USE WITH HEAVIER TELEVISIONS MAY RESULT IN INSTABILITY CAUSING TIP OVER RESULTING IN DEATH OR SERIOUS INJURY.

The maximum recommended weight allowance is 54.4 kg / 120 lb for top panel.  
The maximum recommended weight allowance is 22.7 kg / 50 lb for shelves.

 **WARNING**

Please use your furniture correctly and safely. Improper use can cause safety hazards, or damage to your furniture or household items. Carefully read the following safety information.

This unit is not intended for use with CRT TVs. The top surface maximum weight capacity is 120 lb (54.4 kg) and maximum load 74 in. (188 cm) diagonal flat-panel TV. The shelf maximum recommended weight allowance is 50 lb (22.7 kg). Use with heavier televisions may result in instability causing tip over resulting in death or serious injury.

Death or serious injury may occur when children climb on audio and/or video equipment furniture. A remote control or toys placed on the furnishing may encourage a child to climb on the furnishing and as a result may tip over onto the child.

**NEVER** allow children to climb or play with the TV or furnishing supporting the TV.

**NEVER** place toys, food, remote, etc. on top of the TV or TV furnishing.

**ALWAYS** use either the safety hardware as instructed or other wall anchoring device.

Relocating audio and/or video equipment to furniture not specifically designed to support audio and/or video equipment may result in death or serious injury due to furniture collapse or over turning onto a child.

**NEVER** place a TV on furniture that is not intended to support a TV.

**NEVER** exceed the maximum size and weight of the TV shown in the instructions.

Be sure to refer to the TV warning label as shown in the instructions.

Overloading drawers and shelves may result in furniture that can break or sag, or tip-over which may result in injury.

**NEVER** exceed the weight limits shown in the instructions.

Place the heavier items on lower shelves as far back from the front as possible.

Load the bottom surfaces first to avoid top-heavy furniture.

Moving furniture that is not designed to be moved or equipped with casters may result in injury or damage to furnishings or personal property.

**ALWAYS** unload shelves and drawers, starting with the top surfaces, before moving.

**NEVER** push or pull furniture on carpet. Have a friend help lift properly to move and/or reposition it.

**DO NOT** use the unit as a seating surface.

