

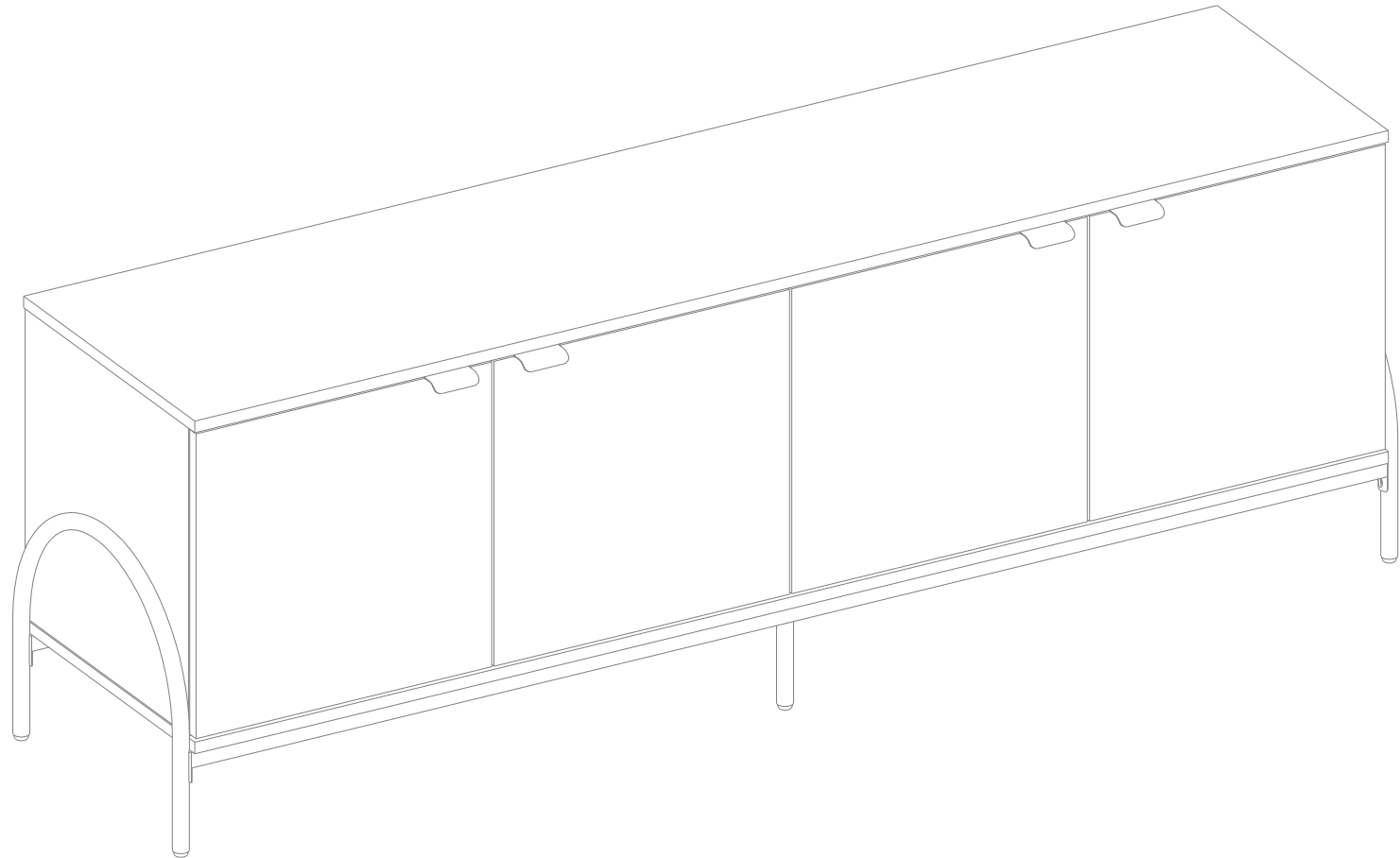


THRESHOLD<sup>TM</sup><sub>MC</sub>

## Summerville Figured Wood Media Stand

Style #: TGAVCL65-18

DPC-item #: 249-10-3050



>> [Assembly instructions](#)



Congratulations on your latest Target purchase.

Now what? Don't start sweating over this box of parts. This will be easy. We did the hard work for you. All you need to do is follow our simple instructions and you'll be on your way to transforming your room in no time. Good luck – though we're confident you won't need it.

## before you begin

1. Check for damaged or missing parts. Call 1-855-MYTGTHOME (855-698-4846) to order missing supplies.
2. Use the carton as a work surface to prevent product damage during assembly.
3. Gather all tools prior to assembly.



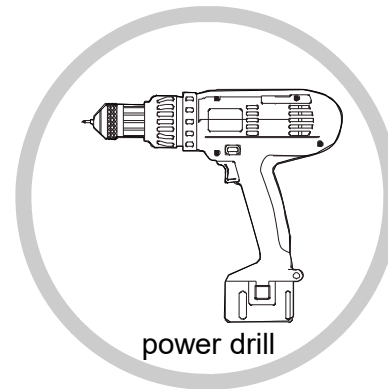
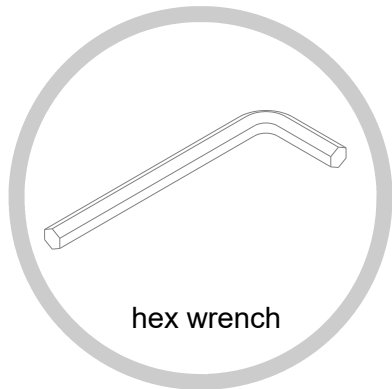
**IMPORTANT / IMPORTANTE**

**BILT.**

Scan for easy 3D instructions  
Scannez pour des instructions faciles en 3D  
Escanea para instrucciones fáciles en 3D

Download on the App Store  
GET IT ON Google Play

## tools needed (only hex wench included)



For tipping restraint hardware kit only.

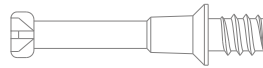
# hardware

---

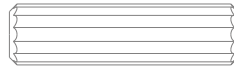
**(H1) x 14**  
cam lock



**(H2) x 14**  
cam bolt



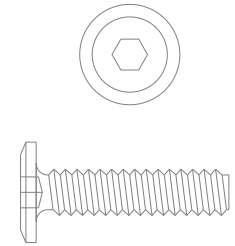
**(H3) x 28**  
M8 x 30 mm wood dowel



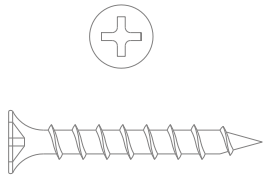
**(H4) x 8**  
1/4" x 13 mm bolt



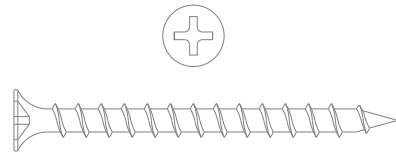
**(H5) x 2**  
1/4" x 25 mm bolt



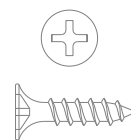
**(H6) x 16**  
M4 x 32 mm screw



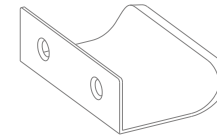
**(H7) x 12**  
M4 x 50 mm screw



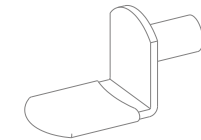
**(H8) x 24**  
M4 x 15 mm screw



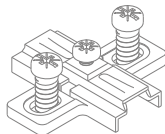
**(H9) x 4**  
door handle



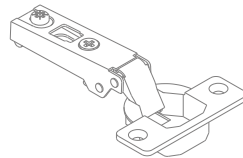
**(H10) x 8**  
shelf support



**(H11) x 8**  
hinge base



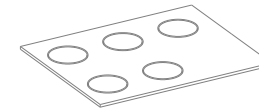
**(H12) x 8**  
hinge arm



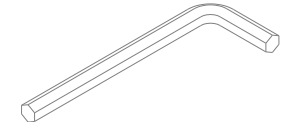
**(H13) x 6**  
cam lock cover



**(H14) x 4**  
rubber bumper

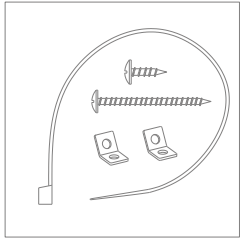


**(H15) x 1**  
hex wrench

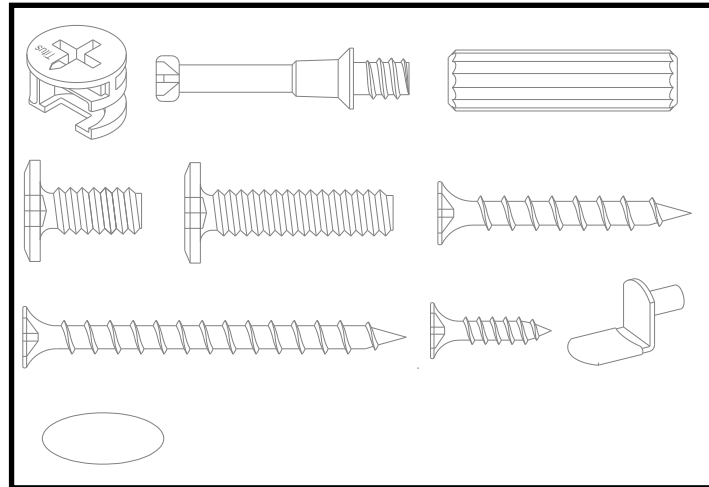


# hardware

(H16) x 2  
tipping restraint hardware kit  
(inside plastic bag)

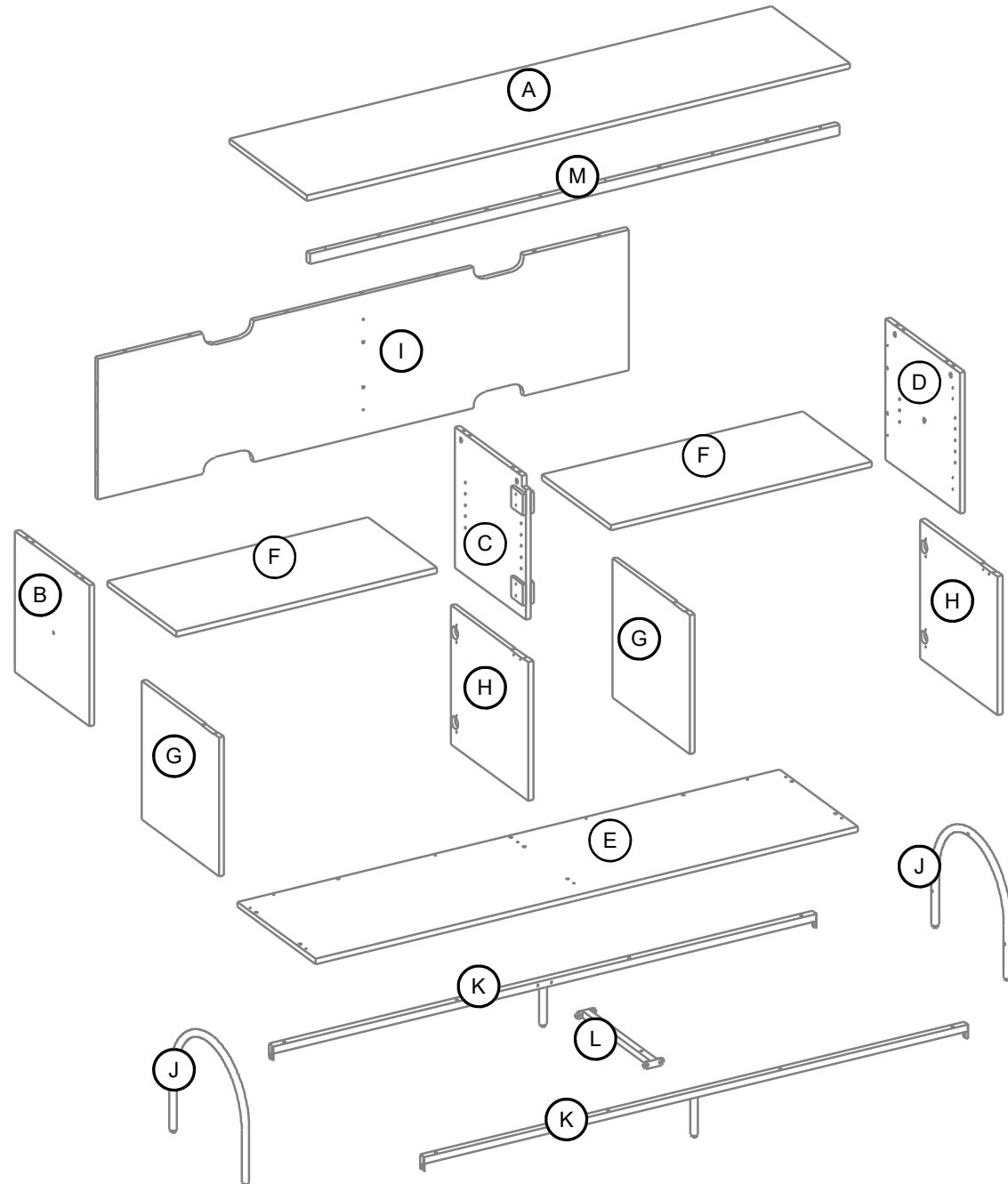


## Spare hardware



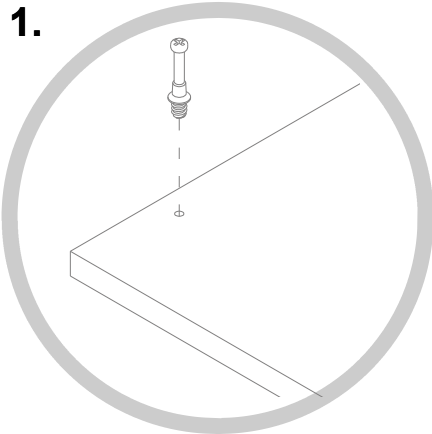
# exploded diagram

ITEM	DESCRIPTION	QTY
A	Top panel	1
B	Left side panel	1
C	Partition panel	1
D	Right side panel	1
E	Bottom panel	1
F	Adjustable shelf	2
G	Left door	2
H	Right door	2
I	Back panel	1
J	Side support	2
K	Long stretcher	2
L	Short stretcher	1
M	Top reinforcement	1

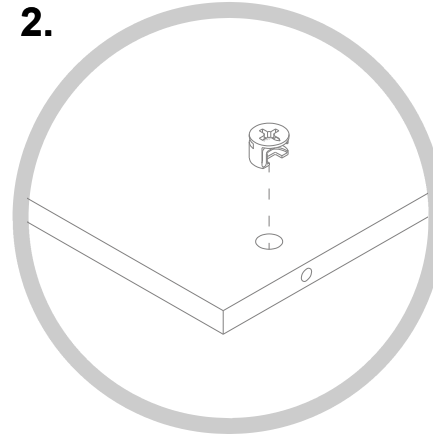


# how to use the cam lock system

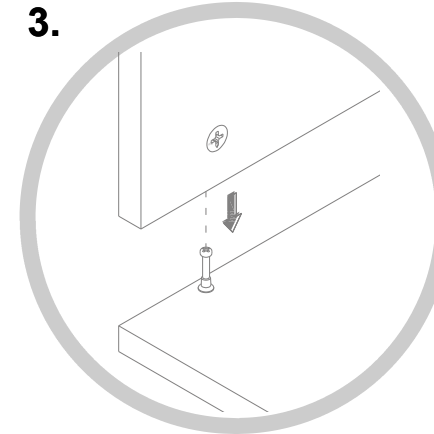
---



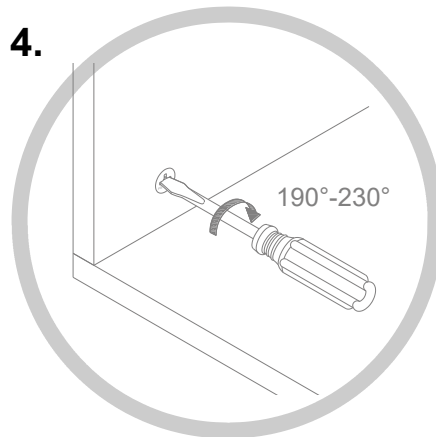
Screw cam bolt into panel



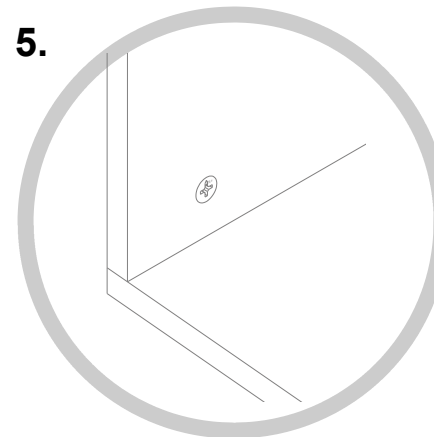
Push cam into panel - arrow feature on cam top points to panel edge



Align cam bolt(s) with cam(s) and insert all the way into cross-bored hole(s)



Rotate cam(s) clockwise 190°-230° to lock panels together



Panels should be tight against each other and connection should be rigid

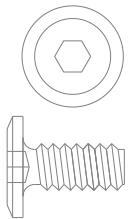
## step 1: combine the base frame

---

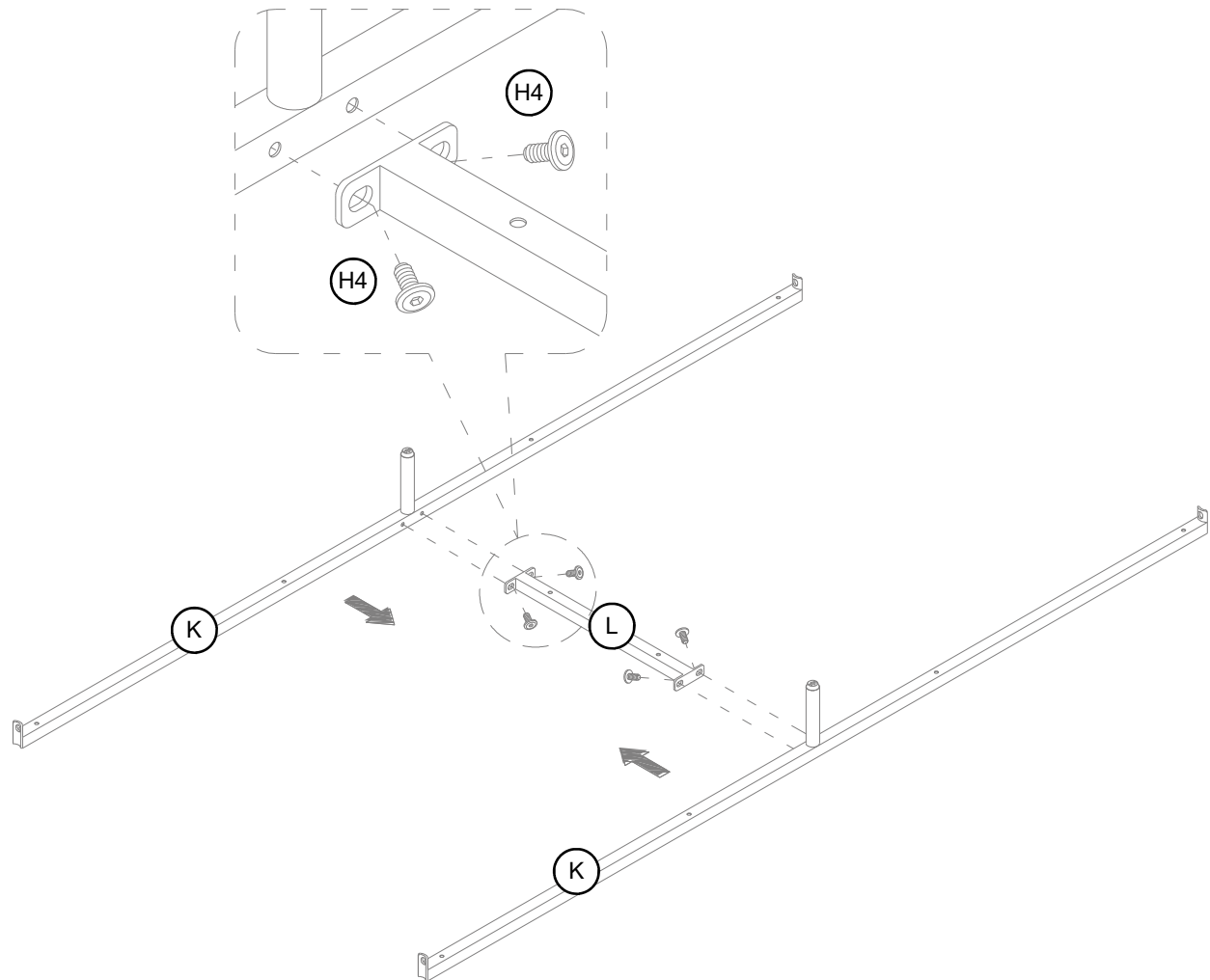
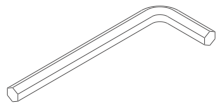
**NOTE:** DO NOT fully tighten the bolts until you finish assembling all parts. Once assembled, go back and fully tighten all bolts. This will make the assembly easier.

---

**(H4) x 4**  
1/4" x 13 mm bolt



**(H15) x 1**  
hex wrench



1.1. Align and attach the short stretcher (L) between the long stretchers (K) with four 13 mm bolts (H4).

## step 2: attach the side supports

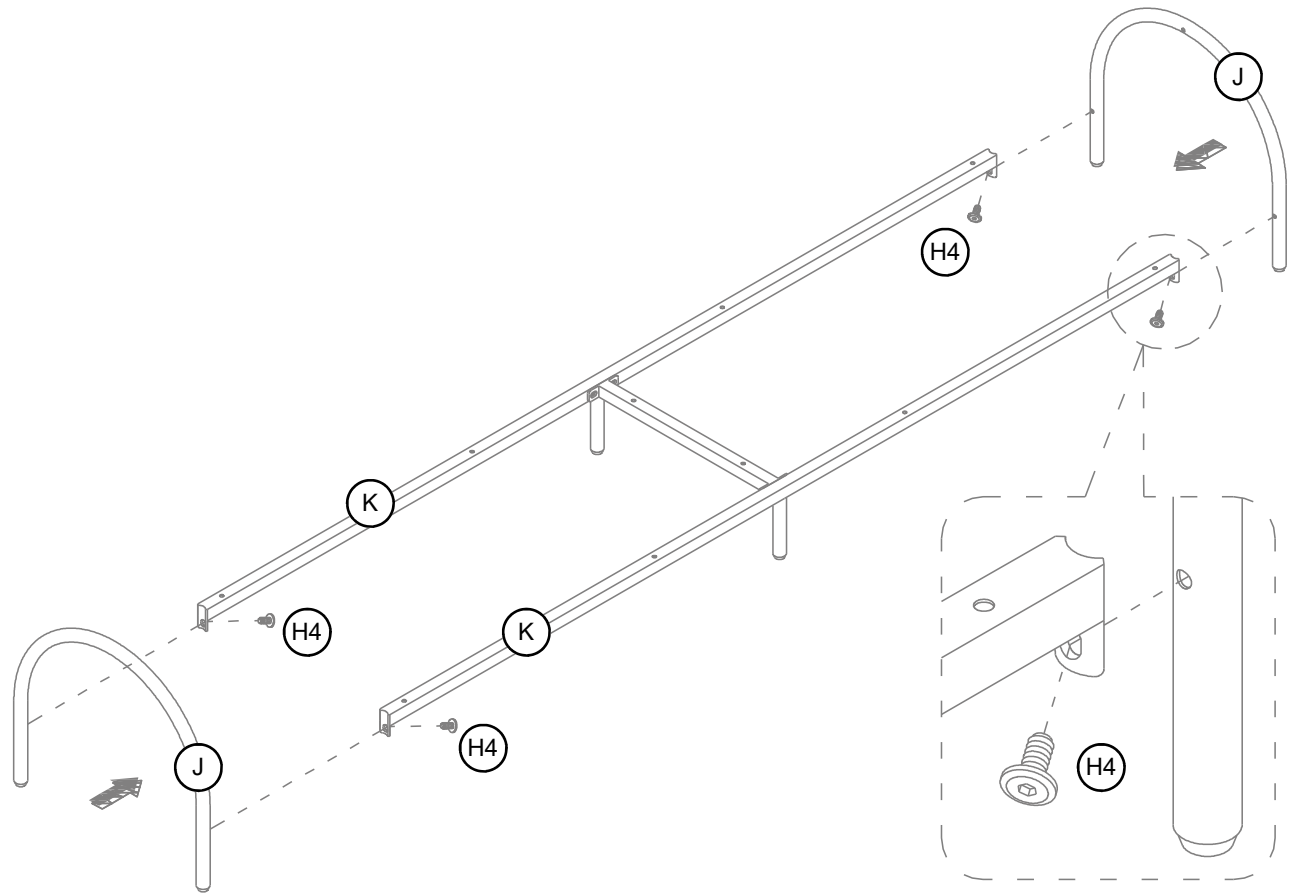
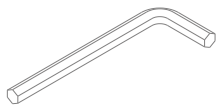
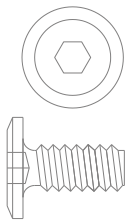
---

**NOTE:** DO NOT fully tighten the bolts in this step.

---

**(H4) x 4**  
1/4" x 13 mm bolt

**(H15) x 1**  
hex wrench

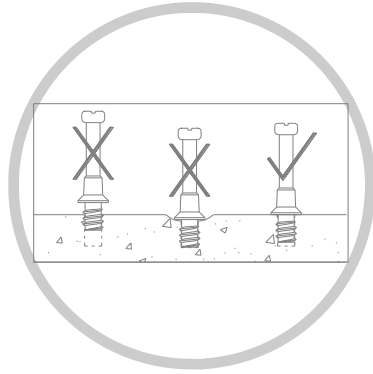


2.1. Align and attach the side supports (J) to the long stretchers (K) with four 13 mm bolts (H4).



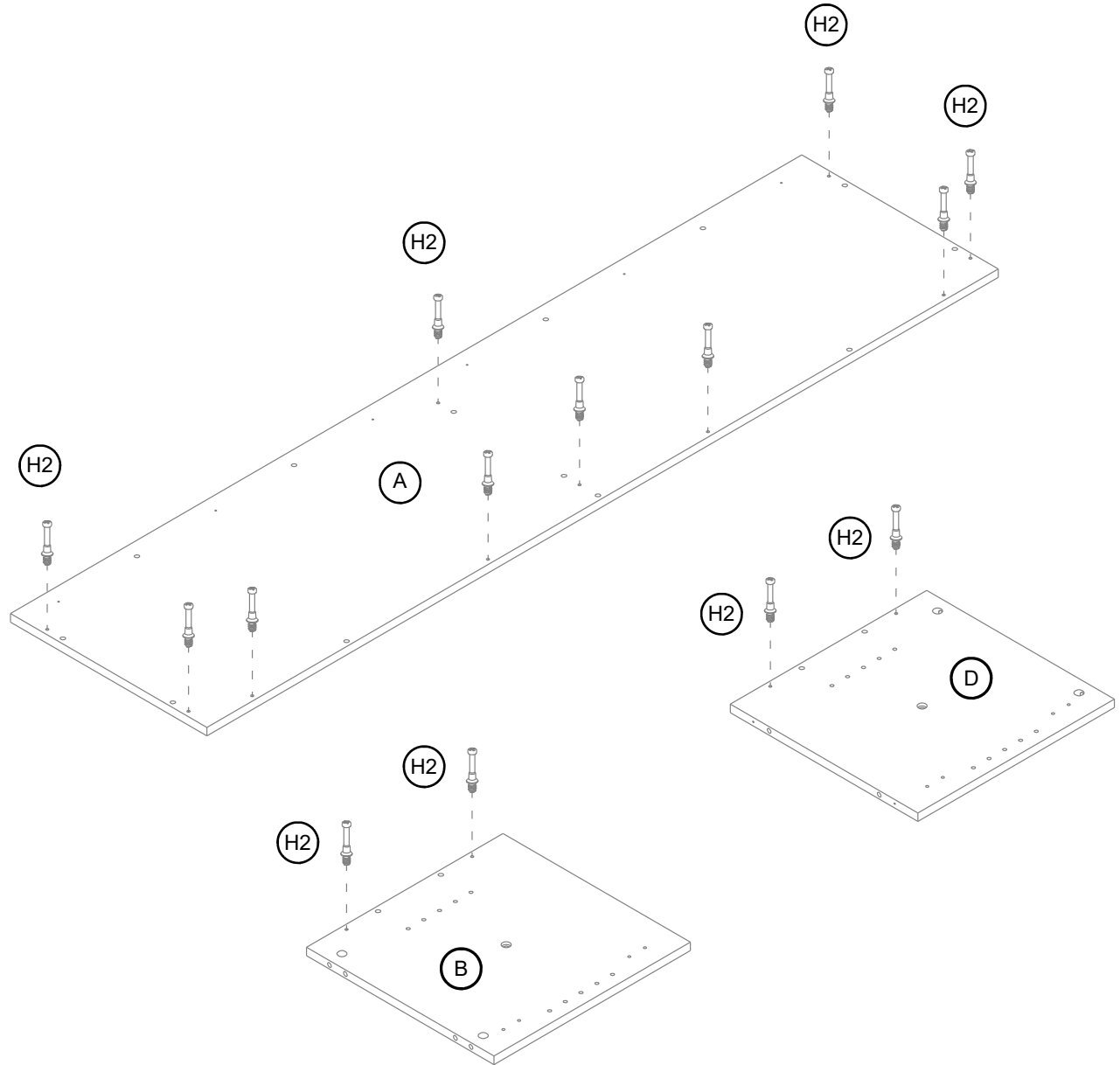
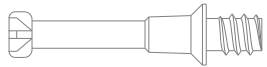
## step 3: prepare top panel and side panels assembly

---



---

(H2) x 14  
cam bolt



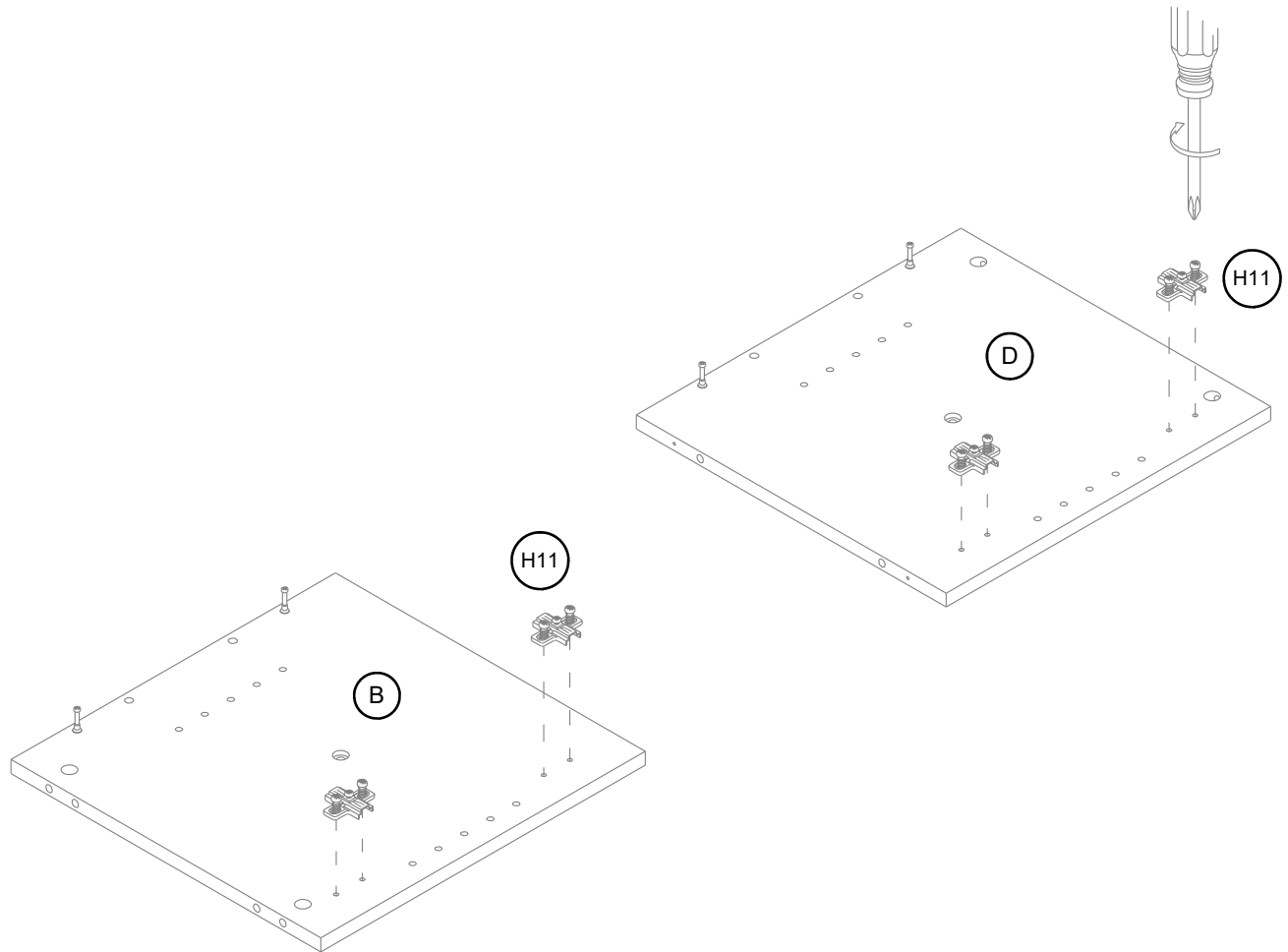
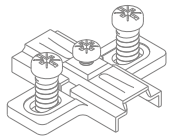
3.1. Securely screw the cam bolts (H2) into the designated small holes on the top panel (A) and side panels (B and D).

## step 4: fasten the hinge bases to the side panels

---

---

(H11) x 4  
hinge base

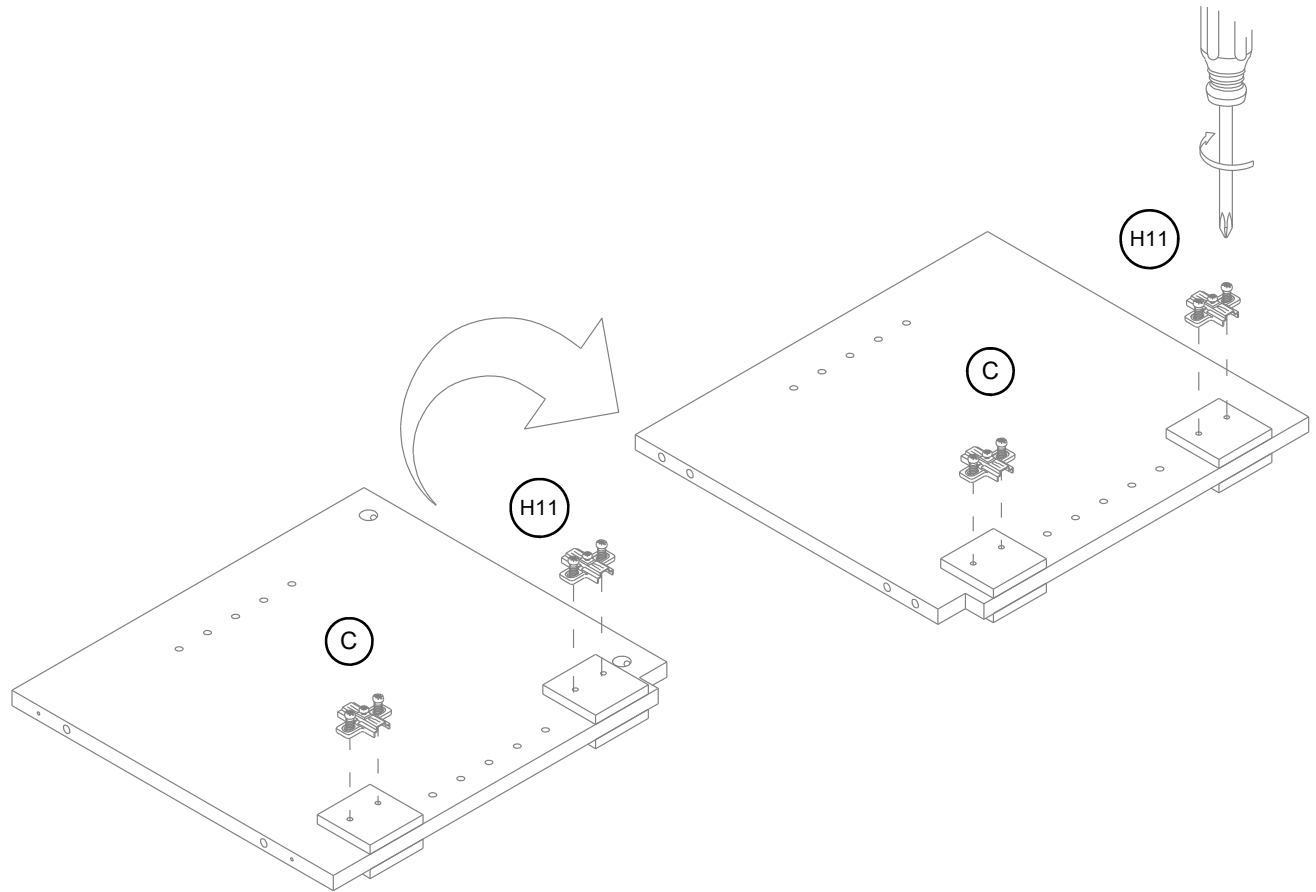
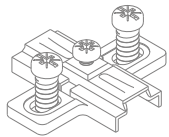


- 4.1. Align and attach the hinge bases (H11) to the pilot holes on the left side panel (B) using the pre-attached bolts, then secure with a Phillips screwdriver.
- 4.2. Repeat the same process to attach two hinge bases (H11) to the right side panel (D).

## step 5: fasten the hinge bases to the partition panel

---

(H11) x 4  
hinge base



- 5.1. Continue to attach two hinge bases (H11) to the pilot holes on the left side of partition panel (C) using the pre-attached bolts, then secure with a Phillips screwdriver.
- 5.2. Repeat the same process to attach two hinge bases (H11) to the right side of partition panel (C).

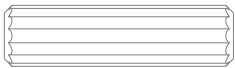
## step 6: attach the top reinforcement

---

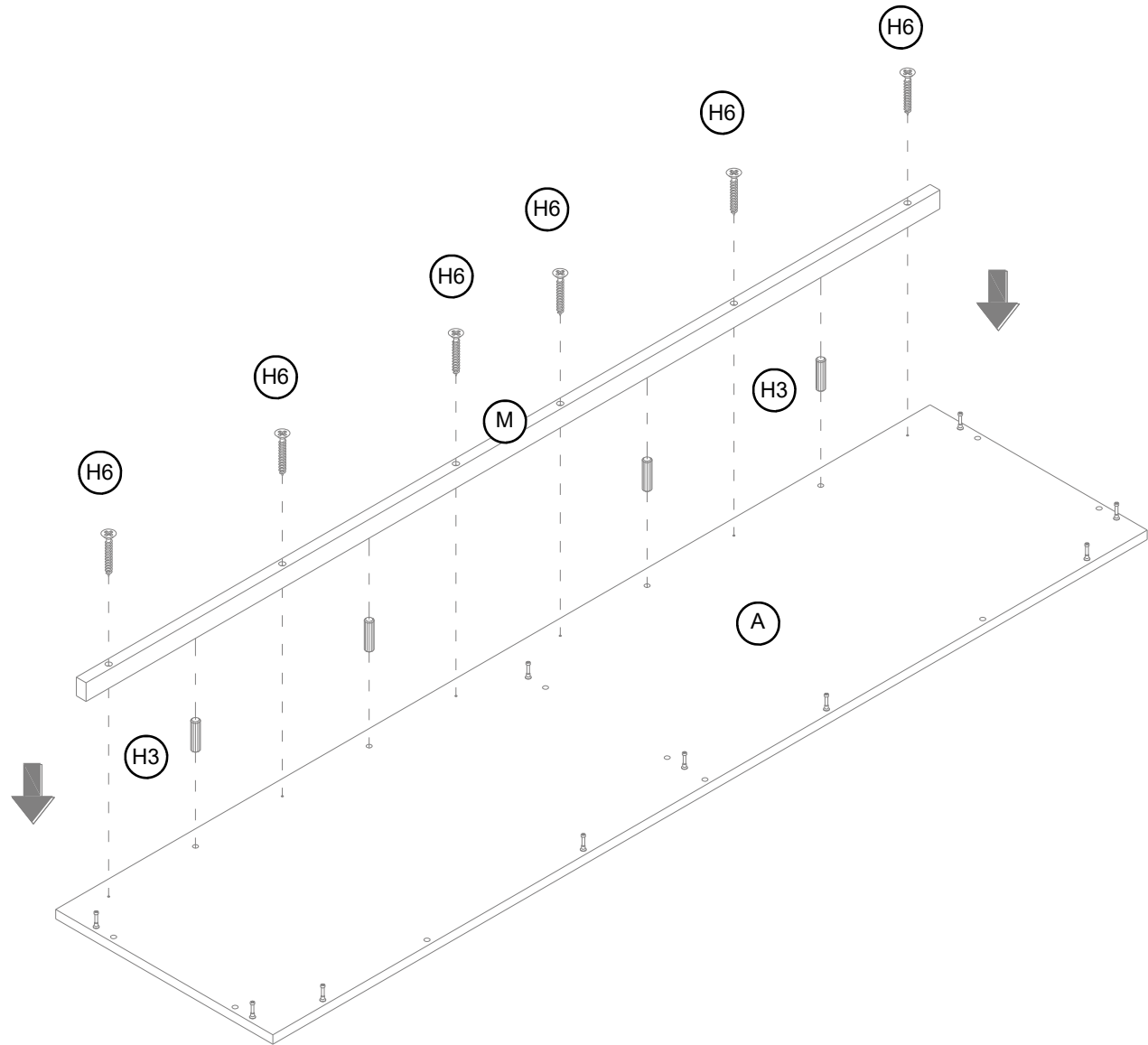
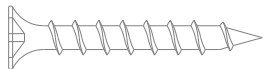
**NOTE:** DO NOT use power tools.

---

**(H3) x 4**  
M8 x 30 mm  
wood dowel



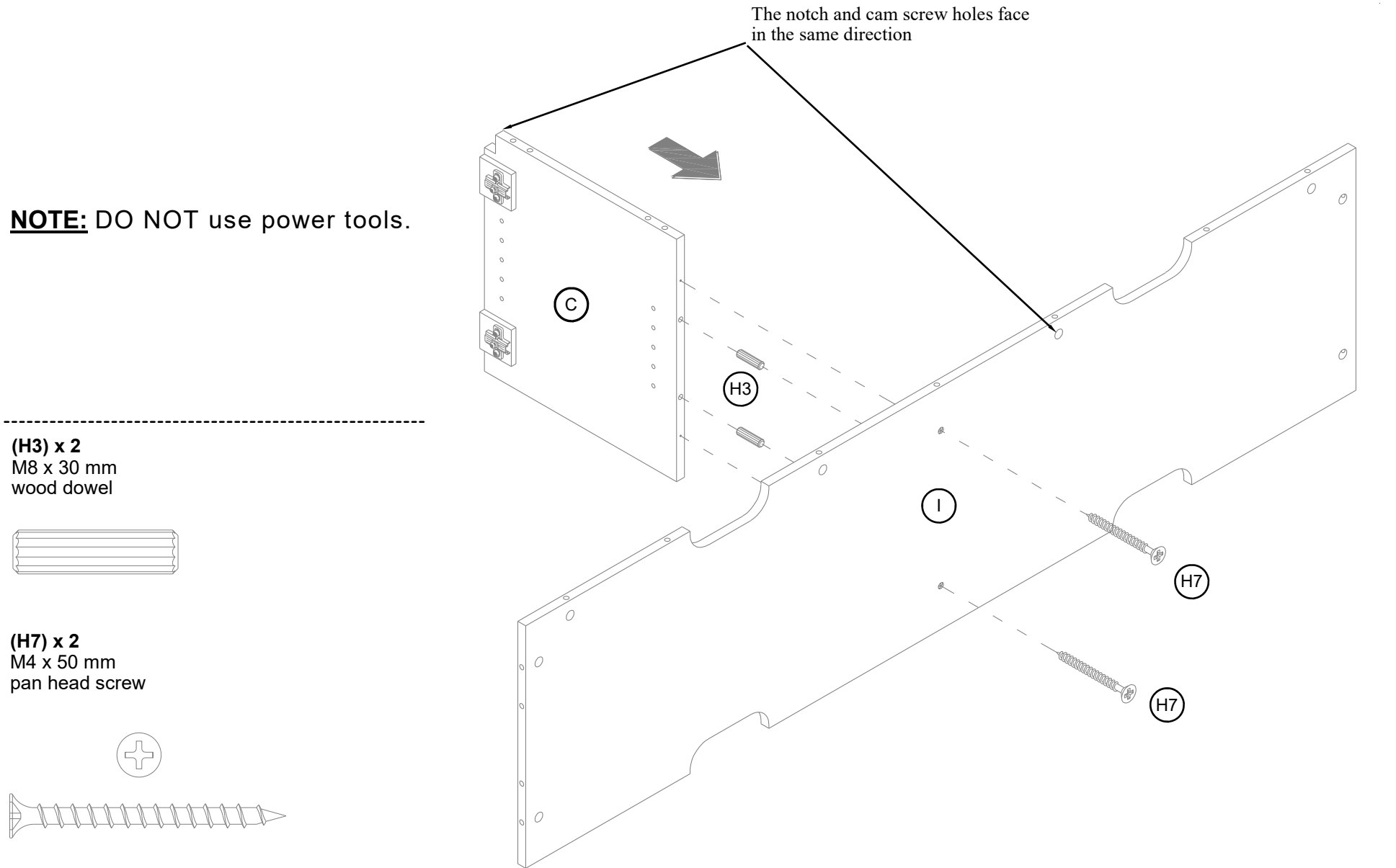
**(H6) x 6**  
M4 x 32 mm  
screw



6.1. Insert four wood dowels (H3) into the holes on the top reinforcement (M) and fasten it to the top panel (A) with six 32 mm Screws (H6).

## step 7: attach the partition panel

**NOTE:** DO NOT use power tools.



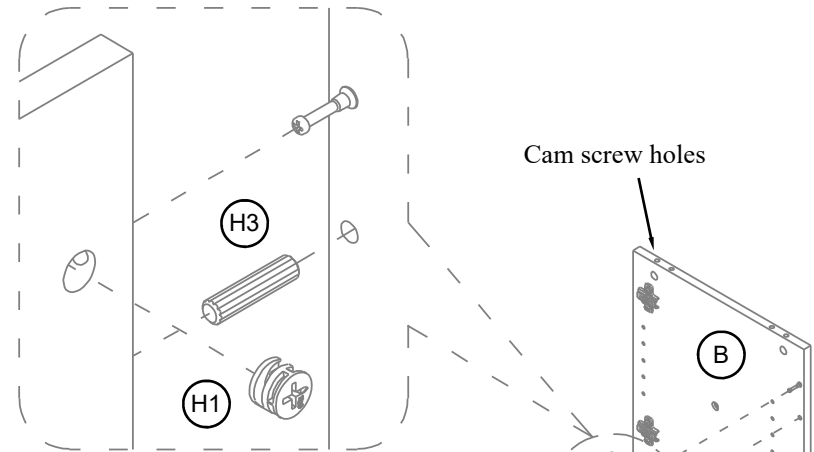
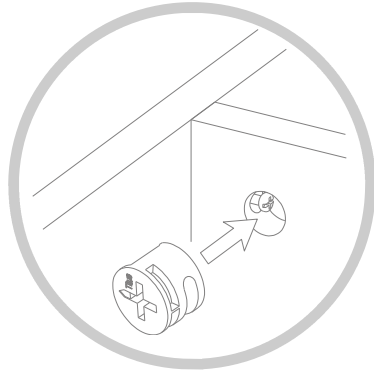
7.1. Insert two wood dowels into the back inner holes on the partition panel (C).

7.2. Align the inserted wood dowels with the large holes on the back panel (I) and press them together. Make sure they are oriented correctly.

7.3. Insert two 50 mm screws through the countersunk holes on the back panel (I) and securely screw into the partition panel (C) with a Phillips screwdriver.

## step 8: attach the side panels

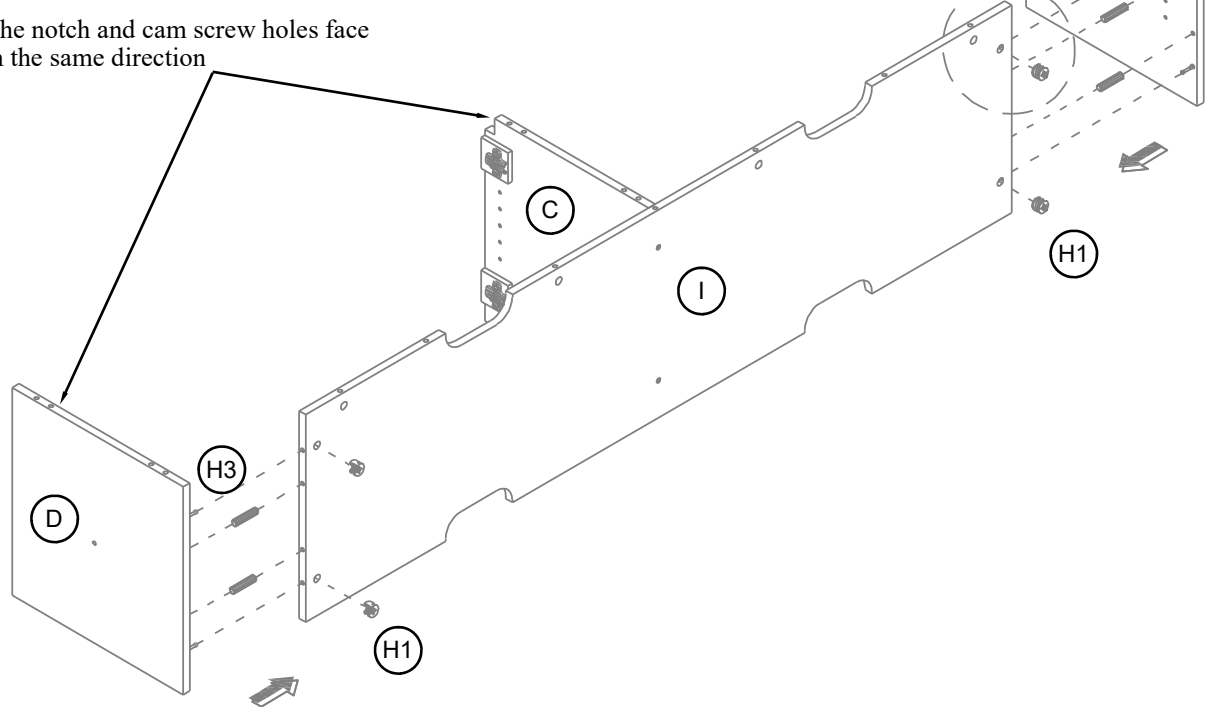
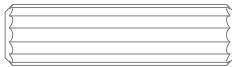
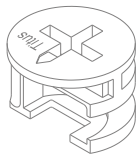
---



The notch and cam screw holes face in the same direction

(H1) x 4  
cam lock

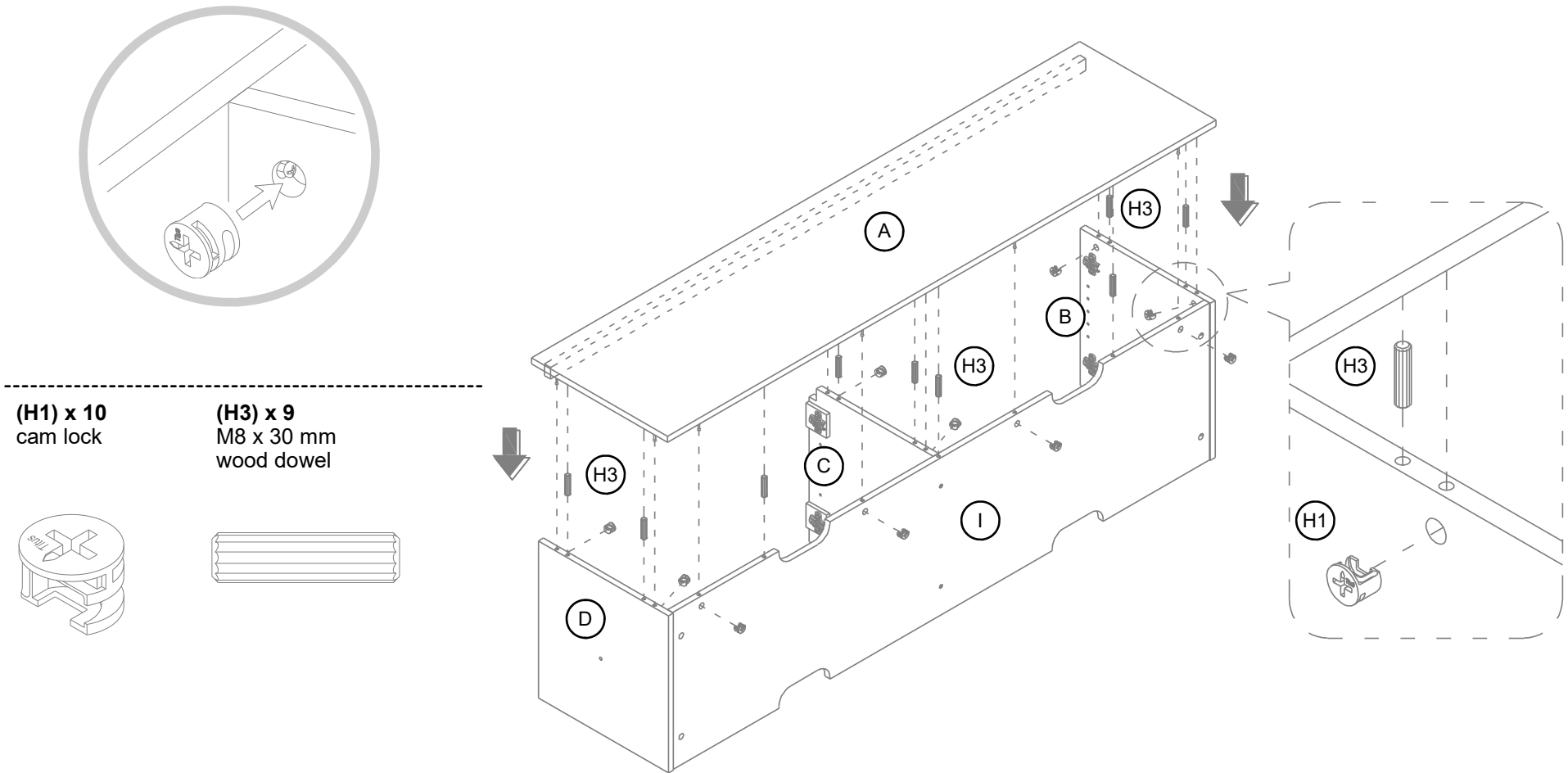
(H3) x 4  
M8 x 30 mm  
wood dowel



- 8.1. Insert two wood dowels (H3) into the inner holes on the left side panel (B) and attach it to the back panel (I) by engaging two cam locks (H1).
- 8.2. Repeat the same process with the right side panel (D).

## step 9: attach the top panel

---



9.1. Insert the wood dowels into the top inner holes on the vertical panels (B, C, D and I).

9.2. With assistance, position the top panel (A) onto the inserted dowels properly and attach it into place by engaging ten cam locks (H1).

## step 10: attach the bottom panel

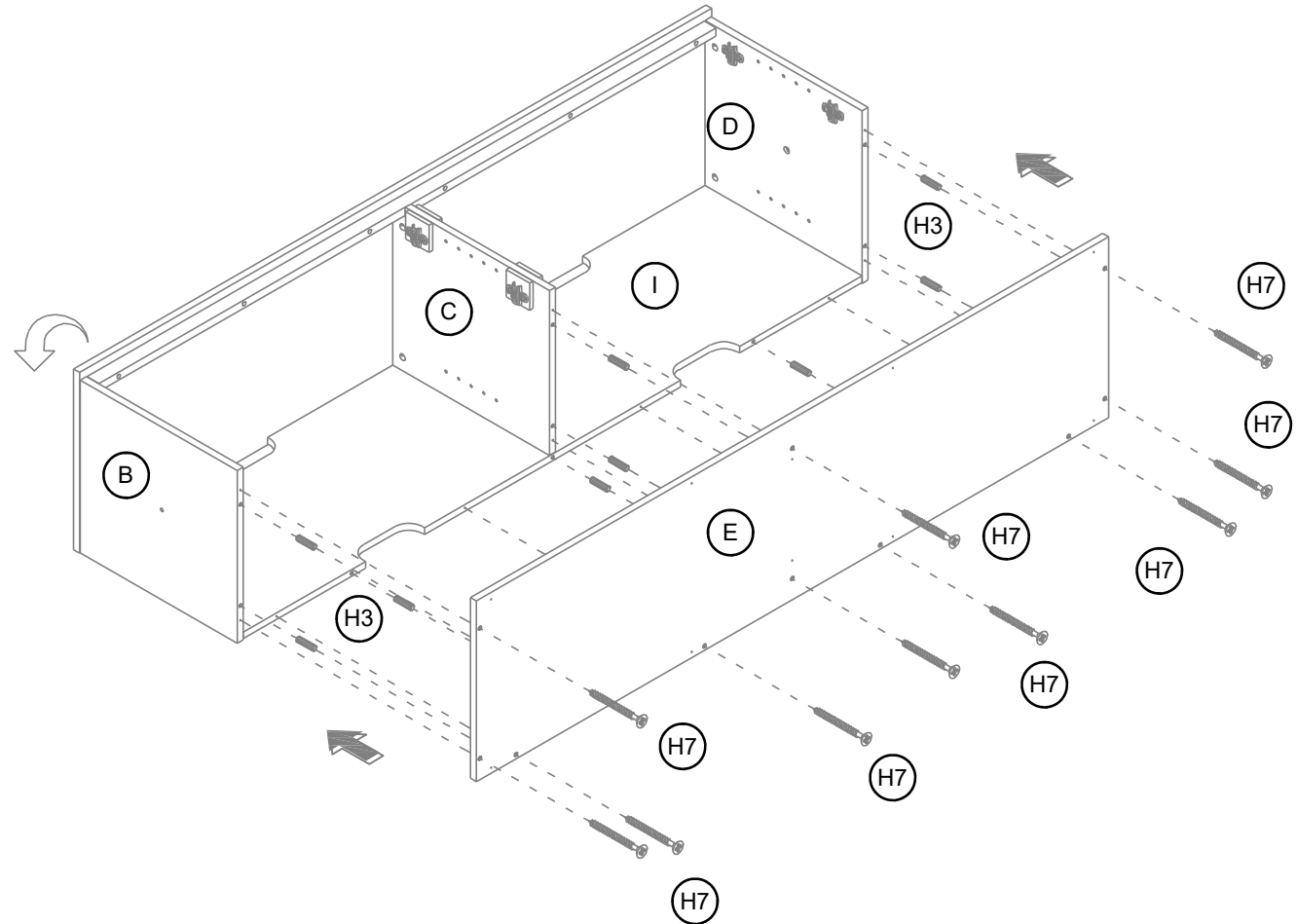
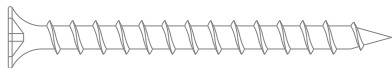
---

**NOTE:** DO NOT use power tools.

**(H3) x 9**  
M8 x 30 mm  
wood dowel



**(H7) x 10**  
M4 x 50 mm screw



10.1. Lay the assembled unit on its back panel.

10.2. Insert the wood dowels (H3) into the large holes on the side panels (B and D), partition panel (C) and back panel (I) .

10.3. Align the bottom panel (E) with the inserted wood dowels and press them together, then secure them into place using the 50 mm screws (H7).

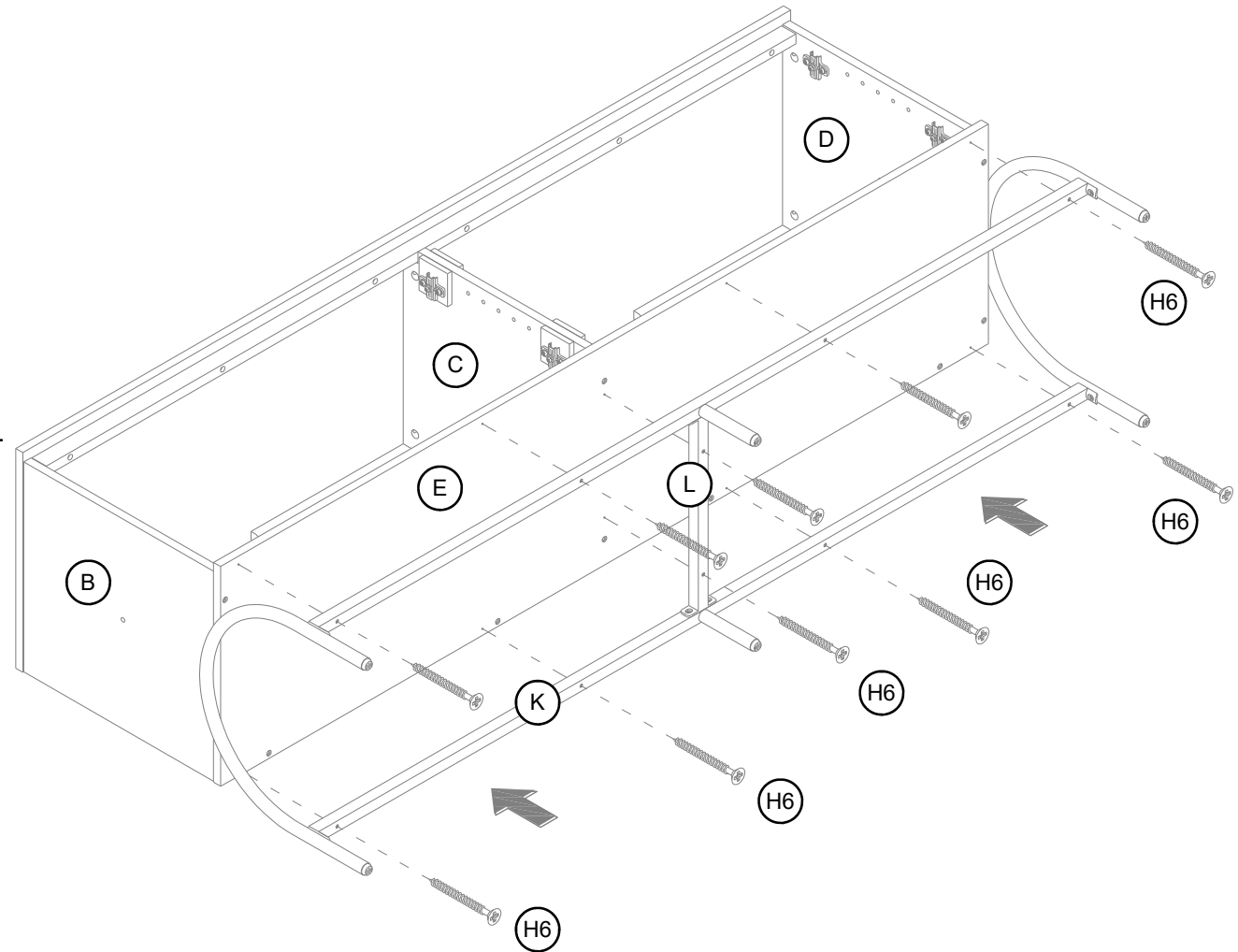
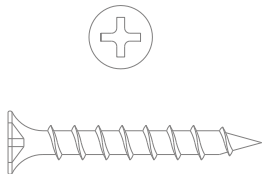


## step 11: attach the metal base frame assembly

---

**NOTE:** DO NOT use power tools.

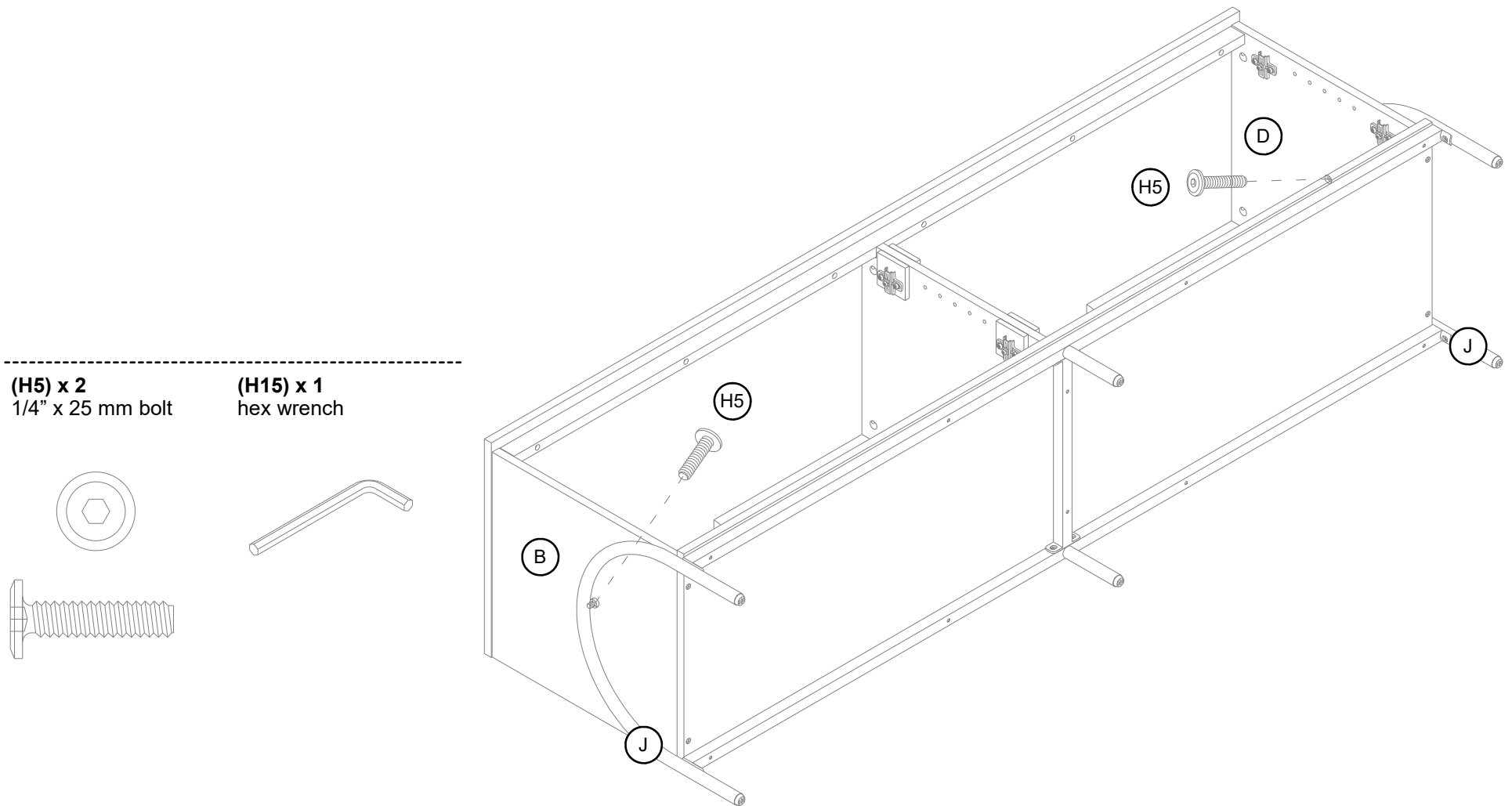
(H6) x 10  
M4 x 32 mm screw



- 11.1. Align and attach the assembled base to the bottom panel (E). Make sure that the mounting holes on both stretchers (K and L) overlap the pilots holes properly
- 11.2. Insert ten 32 mm screws through the stretchers (K and L) and securely screw into place.

## step 12: fasten the side supports

---



- 12.1. Insert one 25 mm bolt (H5) through the mounting hole on the left side panel (B) and screw into the threaded socket on the left support (J).
- 12.2. Repeat the same process to fasten the right support (J) into place.
- 12.3. Now, go back and securely tighten all the bolts and screws. Make sure that all the parts are tight and there are no gaps between the parts. This will help keep the unit square.

## step 13: attach the adjustable shelves

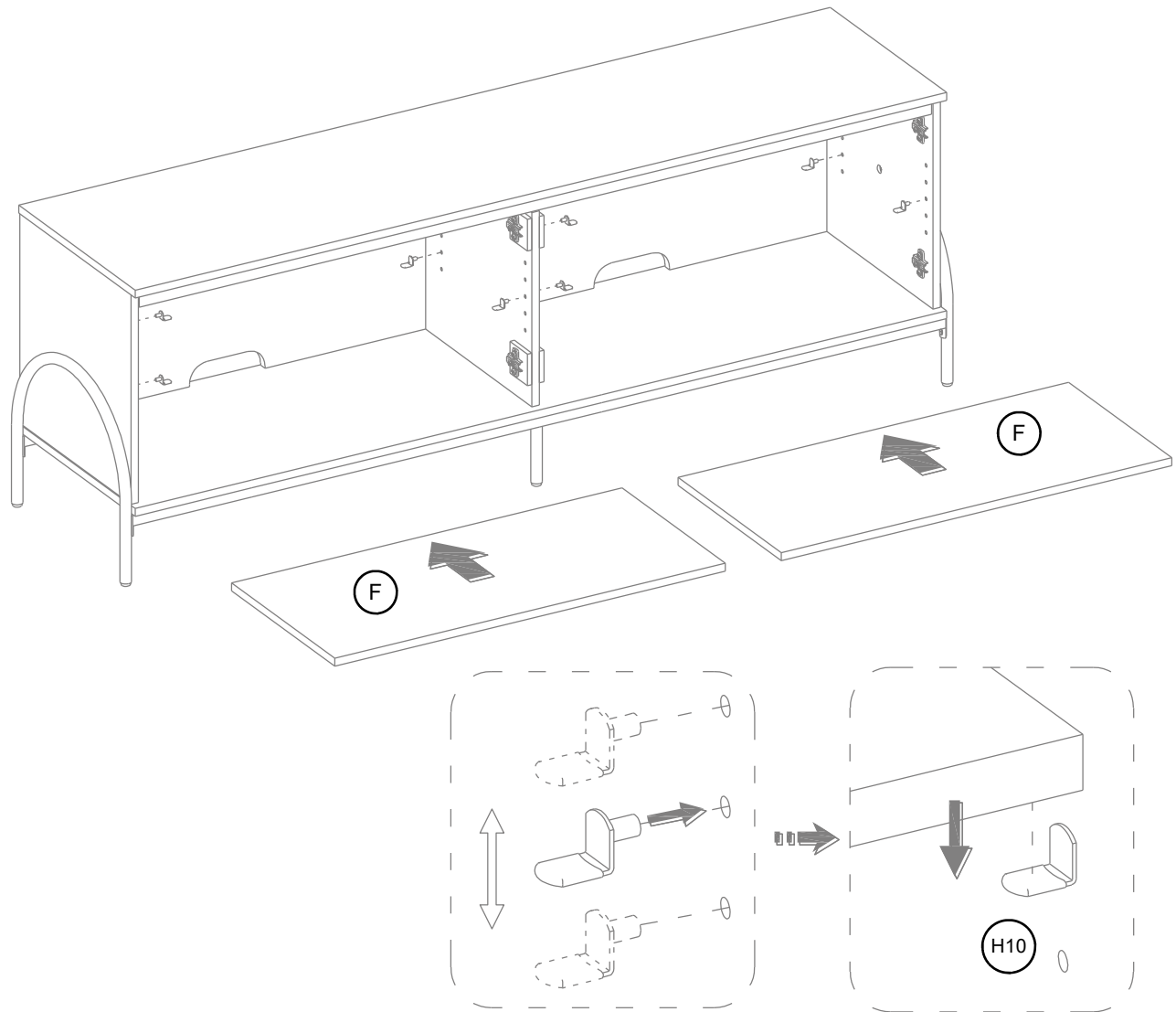
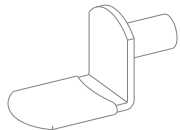
---



**CAUTION:** You may need assistance with this step.

---

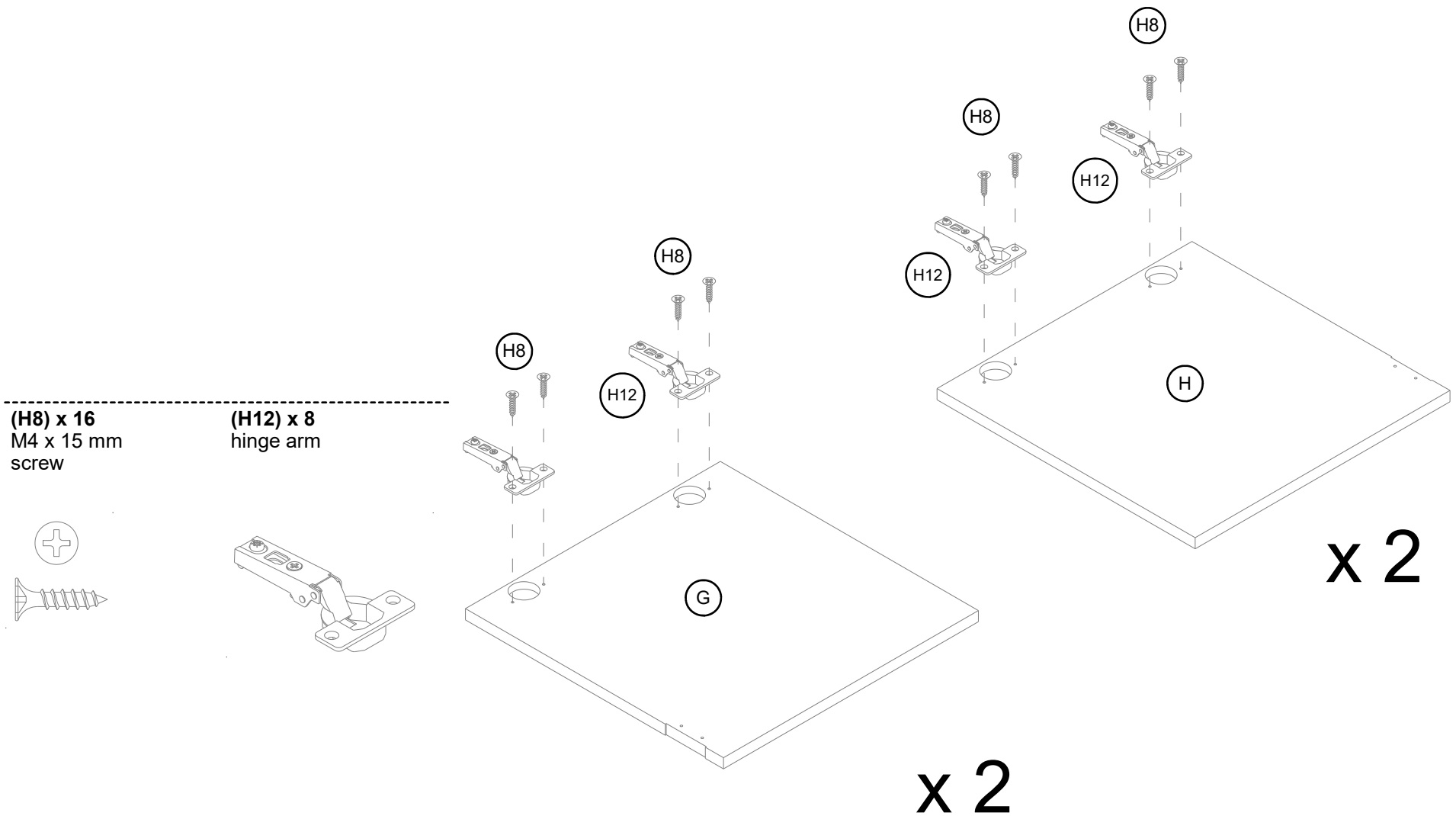
**(H10) x 8**  
shelf support



- 13.1. Ask for assistance to lift the assembled unit upright and position it near the final location
- 13.2. Insert four shelf supports (H10) into the pilot holes at the desired height inside each compartment.
- 13.3. Tilt and rest the adjustable shelves (F) onto the shelf supports (H10).

## step 14: install the hinge arms

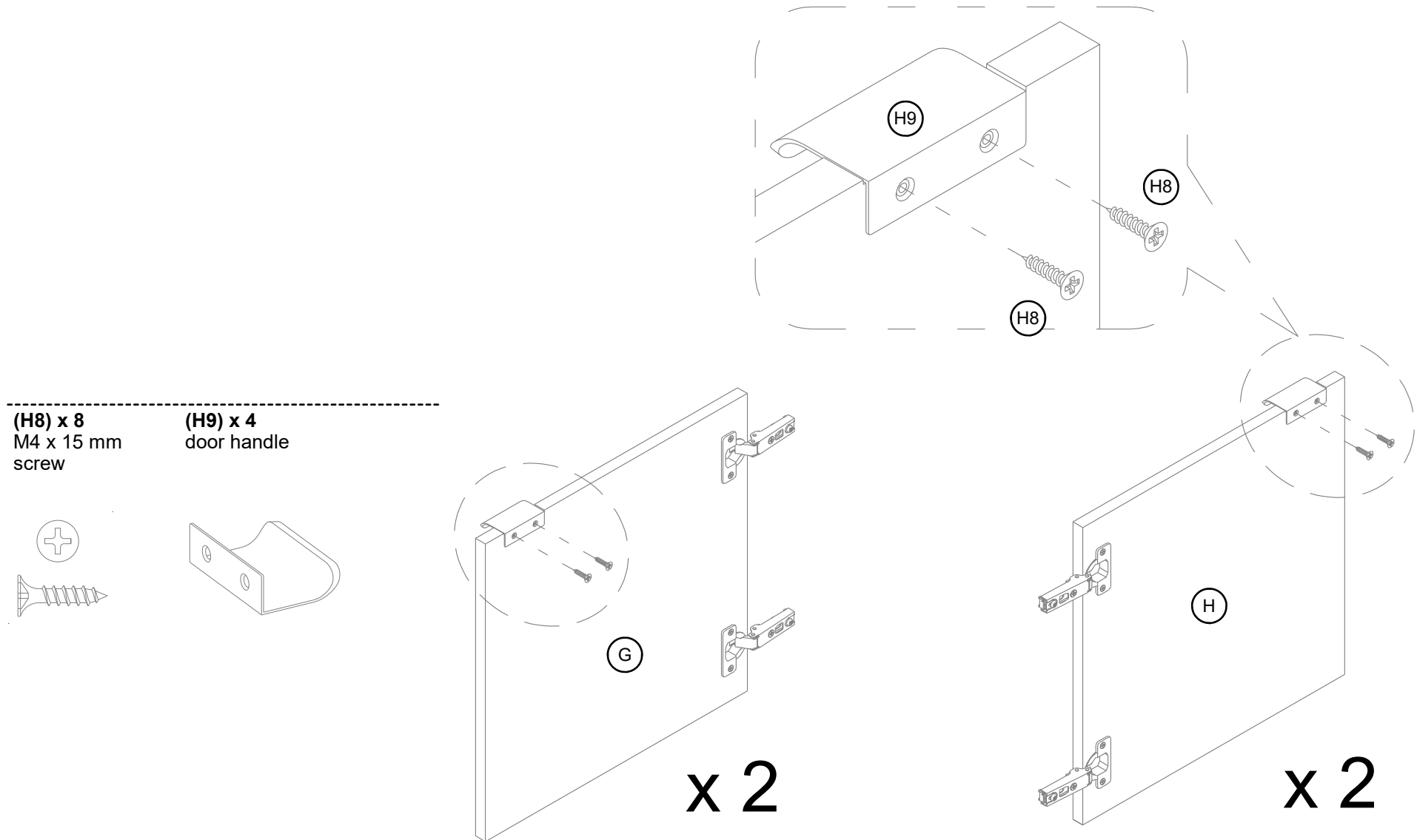
---



- 14.1. Extend the hinge arms (H12) and rest the hinge leaf onto each recessed cutout on the doors (G and H).
- 14.2. Fasten the hinge arms into place using the 15 mm screws (H8). Tighten them with a Phillips screwdriver.

## step 15: install the door handles

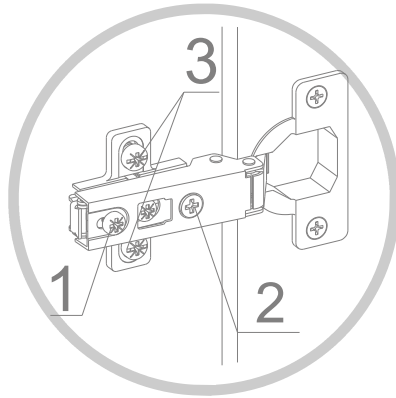
---



- 15.1. Using the pilot holes as a guide, fasten one handle (H9) to the front side of one left door (G) with two 15 mm screws (H8).  
15.2. Repeat the same process for the rest doors (G and H).

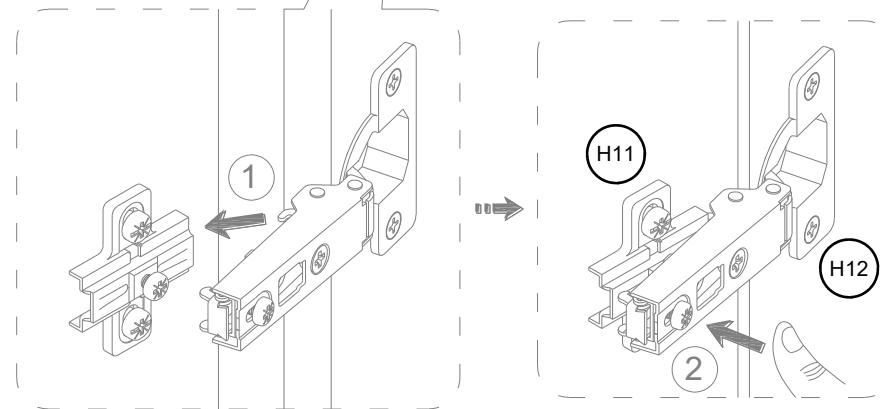
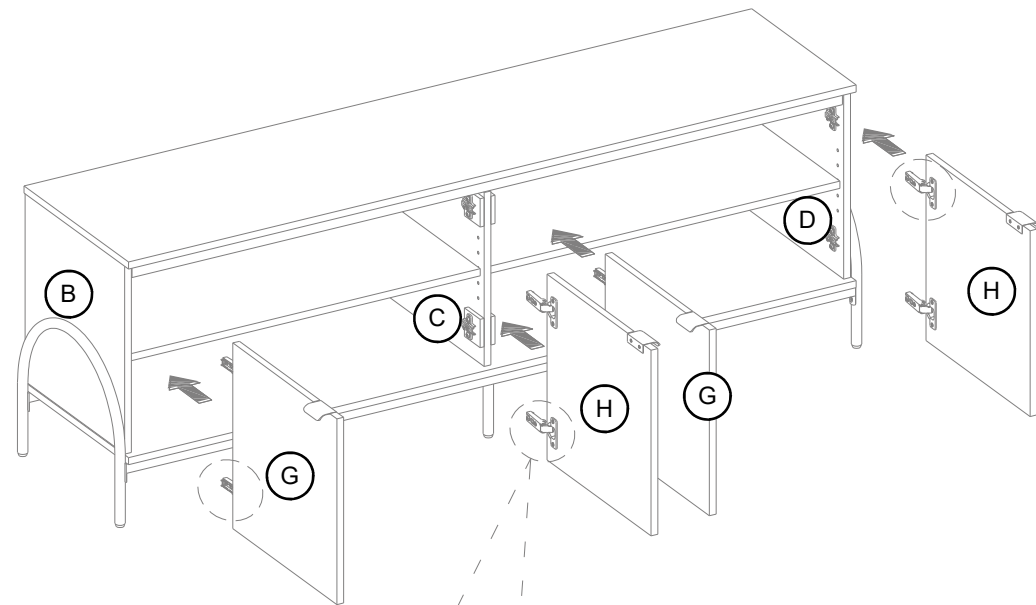
## step 16: attach the doors

---



If you find that the doors need to be adjusted slightly, turn the appropriate screw, as illustrated above.

1. TO ADJUST THE DOOR FORWARD OR BACKWARD.
2. TO ADJUST THE DOOR TO RIGHT OR TO LEFT.
3. TO ADJUST THE DOOR UP OR DOWN.



16.1. Pick up one left door (G) and extend both hinge arms to open position if necessary. Align the back hooks on the bottom of hinge arms with the end slots on the hinge bases on the left side panel (B). Press the front end of hinge arms to snap the front hooks into place. Make sure that the two hinges work and function properly.

**NOTE:** If the hinge arms do not snap/lock properly, press in the release lever at the end of hinge arm to remount the hinges.

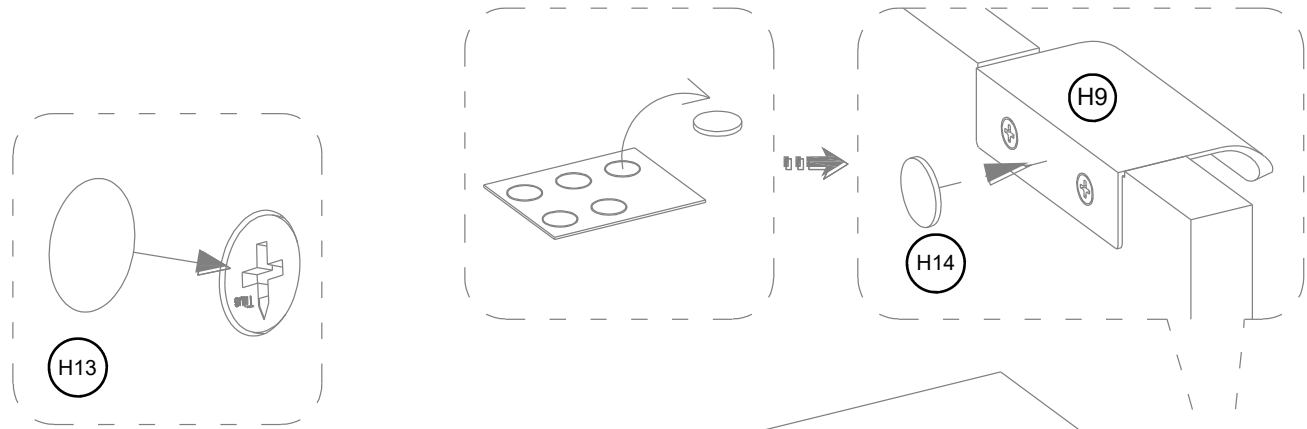
16.2. Repeat the same process to attach the rest doors (G and H) to the partition panel (C) and right side panel (D).

16.3. Open and close the doors to make sure they are aligned and shut correctly, If necessary, adjust the screws on the hinge arm for a better fit.

## step 17: attach the cam lock covers and rubber bumpers

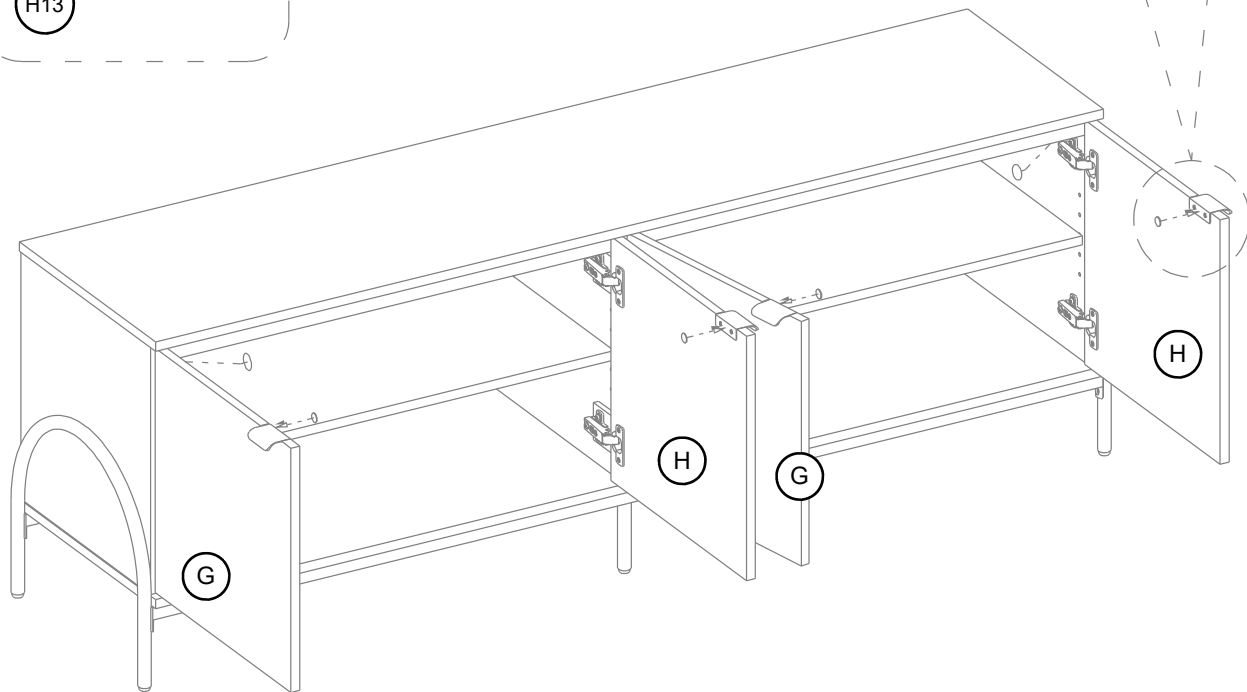
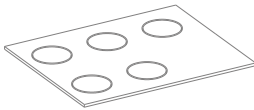
---

**CAUTION:** DO NOT open the middle two doors at the same time to avoid collision.



(H13) x 6  
cam lock cover

(H14) x 4  
Rubber bumper



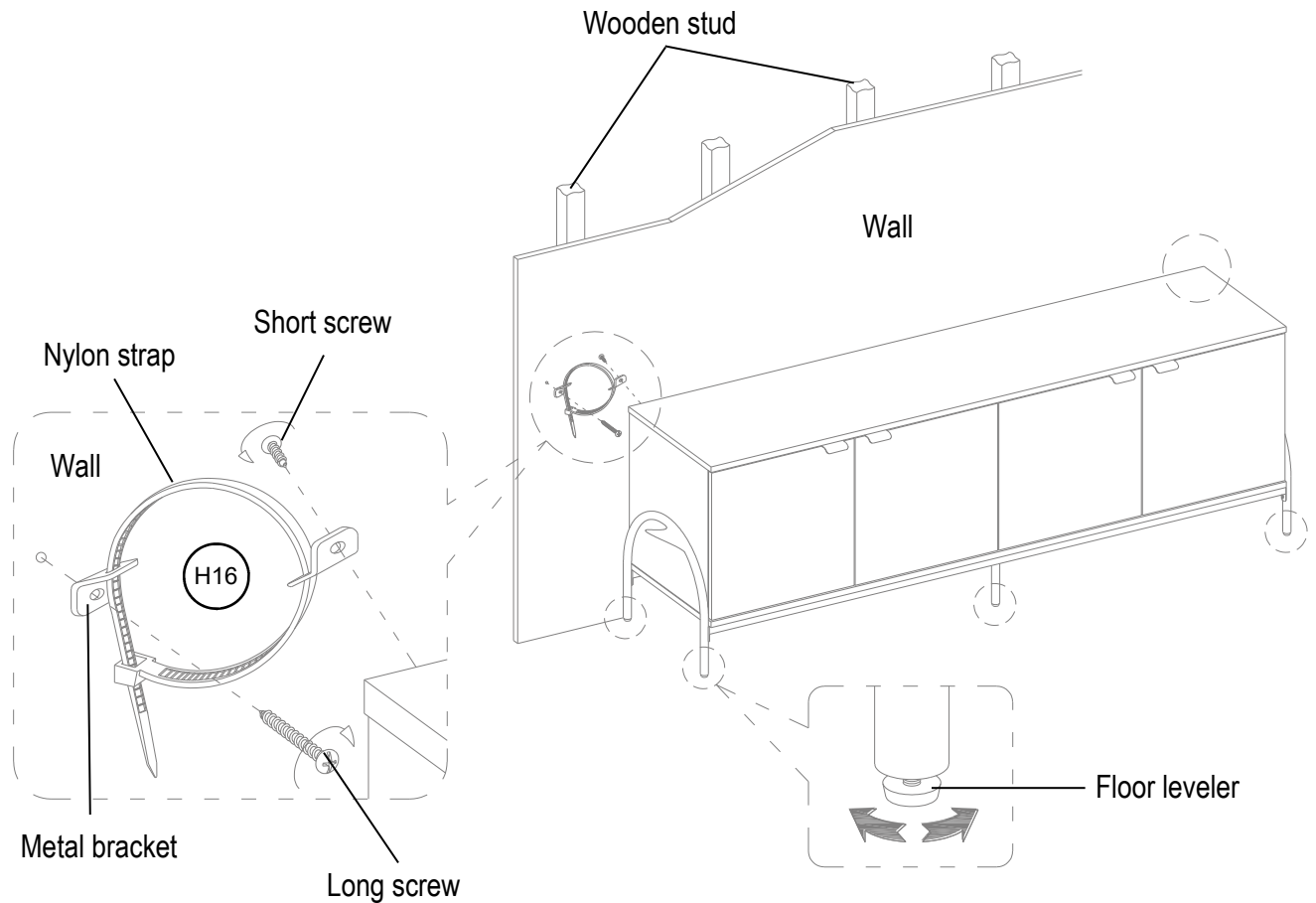
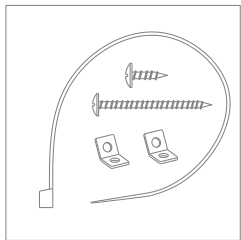
- 17.1. Plug the cam lock covers (H13) onto the visible cam locks to conceal the cams.
- 17.2. Stick the rubber bumpers (H14) on the door handles (H9) as shown.

## step 18: attach tipping restraint hardware

---



(H16) x 2  
tipping restraint hardware kit  
(inside plastic bag)



Tools required: Phillips screwdriver, stud finder, tape measure, pencil, power drill and 1/8" drill bit.

18.1. Adjust the pre-attached floor levelers to level the unit against a wall.

18.2. Follow the instructions printed on plastic bag containing tipping restraint hardware to attach tip-over restraint between the unit and the wall.

**NOTE:** You must use this tipping restraint to attach this unit to the wall, to prevent accidents and / or injuries.



## Care and Maintenance

- Use a soft, clean cloth that will not scratch the surface when dusting.
- Use of furniture polish is not necessary. Should you choose to use polish, test first in an inconspicuous area.
- Using solvents of any kind on your furniture may damage the finish.
- Never use water to clean your furniture as it may cause damage to the finish.
- Always use coasters under beverage glasses and flowerpots.
- Liquid spills should be removed immediately. Using a soft, clean cloth, blot the spill gently. Avoid rubbing.
- Always use protective pads under hot dishes and plates. Heat can cause chemical changes that may create spotting within the furniture finish.
- Stains or marks from crayons or ink markers will be difficult to remove.
- In the event that your furniture is stained or otherwise damaged during use, we recommend that you call a professional to repair your furniture.
- Check bolts/screws and nuts periodically and tighten them if necessary.

## Further Advice about Wood Furniture Care

It is best to keep your furniture in a climate-controlled environment. Extreme temperature and humidity changes can cause fading, warping, shrinking and splitting of wood. It is advised to keep furniture away from direct sunlight as sun may damage the finish.

Proper care and cleaning at home will extend the life of your purchase. Following these important and helpful tips will enhance your furniture as it ages.

We hope you enjoy your purchase for many years.  
Thank you for your purchase!

## QUALITY GUARANTEE

We are confident that you will be delighted with your Whalen Furniture purchase.

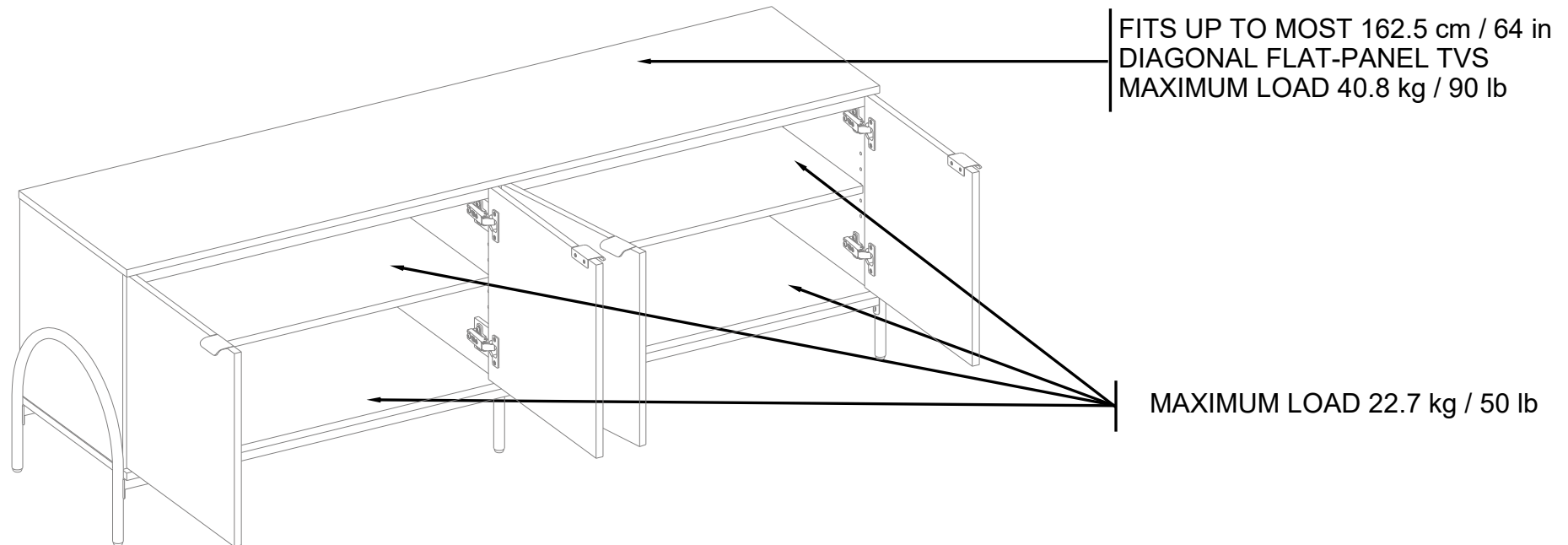
Should this product be defective in workmanship or materials or fail under normal use, we will repair or replace it for up to one (1) year from date of purchase. Every Whalen Furniture product is designed to meet your highest expectations. We guarantee that you will immediately see the value of our fine furniture.

This warranty gives you specific al rights and you may also have other rights which vary from state to state or province to province.

Customer Service: 1-855-MYTGTHOME (855-698-4846)  
8:30 a.m. - 4:30 p.m., PST, Monday to Friday  
[www.whalenfurniture.com](http://www.whalenfurniture.com)

## MAXIMUM RECOMMENDED WEIGHT LOADS

MANUFACTURER: Whalen Furniture Manufacturing  
CATALOG: Summerville Figured Wood Media Stand  
MODEL # TGAVCL65-18



### **WARNING**

THIS UNIT IS NOT INTENDED FOR USE WITH CRT TVS. USE ONLY WITH FLAT PANEL TVS AND AUDIO/ VIDEO EQUIPMENT MEETING RECOMMENDED SIZE AND WEIGHT LIMITS. NEVER USE WITH LARGER/HEAVIER THAN RECOMMENDED FLAT PANEL TVS OR EQUIPMENT. TO AVOID INSTABILITY, PLACE FLAT PANEL TV IN THE CENTRE OF THE UNIT; THE BASE OF THE TELEVISION MUST BE ABLE TO REST ON THE SUPPORTING SURFACE OF THE UNIT WITHOUT OVER-HANGING THE EDGES. IMPROPERLY POSITIONED FLAT PANEL TVS, OR FLAT PANEL TVS INCLUDING OTHER EQUIPMENT THAT EXCEED RECOMMENDED SIZE AND WEIGHT LIMITS COULD FALL OFF OR BREAK THE UNIT, CAUSING POSSIBLE SERIOUS INJURY. FOR USE WITH TELEVISIONS WEIGHING 90 LBS (40.8 KG) OR LESS. USE WITH HEAVIER TELEVISIONS MAY RESULT IN INSTABILITY CAUSING TIP OVER RESULTING IN DEATH OR SERIOUS INJURY.

The maximum recommended weight allowance is 40.8 kg / 90 lb for top panel.  
The maximum recommended weight allowance is 22.7 kg / 50 lb for shelves.

 **WARNING**

Please use your furniture correctly and safely. Improper use can cause safety hazards, or damage to your furniture or household items. Carefully read the following safety information.

This unit is not intended for use with CRT TVs. The top surface maximum weight capacity is 90 lbs. (40.8 kg) and maximum load 64 in. (162.5cm) diagonal flat-panel TV. The shelf maximum recommended weight allowance is 50 lbs. (22.7 kg). Use with heavier televisions may result in instability causing tip over resulting in death or serious injury.

Death or serious injury may occur when children climb on audio and/or video equipment furniture. A remote control or toys placed on the furnishing may encourage a child to climb on the furnishing and as a result may tip over onto the child.

**NEVER** allow children to climb or play with the TV or furnishing supporting the TV.

**NEVER** place toys, food, remote, etc. on top of the TV or TV furnishing.

**ALWAYS** use either the safety hardware as instructed or other wall anchoring device.

Relocating audio and/or video equipment to furniture not specifically designed to support audio and/or video equipment may result in death or serious injury due to furniture collapse or over turning onto a child.

**NEVER** place a TV on furniture that is not intended to support a TV.

**NEVER** exceed the maximum size and weight of the TV shown in the instructions.

Be sure to refer to the TV warning label as shown in the instructions.

Overloading drawers and shelves may result in furniture that can break or sag, or tip-over which may result in injury.

**NEVER** exceed the weight limits shown in the instructions.

Place the heavier items on lower shelves as far back from the front as possible.

Load the bottom surfaces first to avoid top-heavy furniture.

Moving furniture that is not designed to be moved or equipped with casters may result in injury or damage to furnishings or personal property.

**ALWAYS** unload shelves and drawers, starting with the top surfaces, before moving.

**NEVER** push or pull furniture on carpet. Have a friend help lift properly to move and/or reposition it.

The unit is not meant as a seat and no one should be sitting or standing on the top surface.

# FURNITURE TIPPING RESTRAINT

YOUNG CHILDREN MAY BE INJURED BY TIPPING FURNITURE AND YOU MUST USE THIS TIPPING RESTRAINT TO ATTACH THIS UNIT TO THE WALL, TO PREVENT ACCIDENTS AND/OR INJURIES.

THIS HARDWARE, MUST BE PROPERLY INSTALLED (FOLLOW ALL DIRECTIONS IN ORDER ON THIS INSTRUCTIONS), TO PROVIDE PROTECTION AGAINST THE UNEXPECTED TIPPING OF FURNITURE DUE TO IMPROPER USE.

THIS PRODUCT IS ONLY A DETERRENT. IT IS NOT A SUBSTITUTE FOR PROPER ADULT SUPERVISION. USE OF TIP-OVER RESTRAINTS MAY ONLY REDUCE, BUT NOT ELIMINATE, THE RISK OF TIP-OVER.

## **WARNING**

- Unit must be placed on a level surface or leveled with included hardware (when applicable).
- Do not sit or stand on or allow children to climb, sit or stand on the assembled product.
- For safety reasons, it is imperative that this unit be mounted to the wall.
- Do not use without installing the tip restraint.
- Unit can tip over causing severe injury or death.
- Do not exceed the recommended weight limits.
- Evenly distribute the weight on each level and always keep the heavier loads on the bottom.
- Before cutting, drilling or hammering into any wall or floor surface, verify the location of electrical, plumbing and gas lines. Cutting may cause serious injury.

**Questions?** Just call 1-855-MYTGTHOME (855-698-4846) for parts and service. For faster service, have the style number and DPCI number ready when calling.